



PORTABLE AIR CONDITIONER Owner's Manual.....	1 - 12
CLIMATISEUR PORTABLE Manuel du propriétaire.....	13 - 24
AIRE ACONDICIONADO PORTÁTIL Manual del propietario.....	25 - 36



MODEL • MODÈLE • MODELO
DPA120HEAUBDB
DPA140HEAUBDB



Welcome

Welcome to the Danby family. We are proud of our quality products and we believe in dependable service. We suggest that you read this owner's manual before plugging in your new appliance as it contains important operation information, safety information, troubleshooting and maintenance tips to ensure the reliability and longevity of your appliance.

Visit www.Danby.com to access self service tools, FAQs and much more. For additional assistance call **1-800-263-2629**.

Note the information below; you will need this information to obtain service under warranty.

You must provide the original purchase receipt to validate your warranty and receive service.

Model Number: _____

Serial Number: _____

Date of Purchase: _____

Need Help?

Before you call for service, here are a few things you can do to help us serve you better.

Read this owner's manual:

It contains instructions to help you use and maintain your appliance properly.

If you receive a damaged appliance:

Immediately contact the retailer or builder that sold you the appliance.

Save time and money:

Check the troubleshooting section at the end of this manual before calling. This section will help you solve common problems that may occur.



1-800-26- Danby
(1-800-263-2629)



Important Safety Information

READ AND FOLLOW ALL SAFETY INSTRUCTIONS

SAFETY REQUIREMENTS

This appliance is not intended for use by persons (including children) whose physical, sensory or mental capabilities may be different or reduced, or who lack experience or knowledge, unless such persons receive supervision or training to operate the appliance by a person responsible for their safety.

Children should be supervised to ensure that they do not play with the appliance.

To avoid risk of electric shock, do not operate this appliance in an area that is likely to accumulate standing water. If this condition develops, disconnect the power supply before stepping into the water.

Do not store or use combustible materials such as gasoline or other flammable vapors or liquids in the vicinity of this or any other appliance.

Do not insert fingers or other objects into grills or openings in the appliance.

Do not cover or block the intake and exhaust openings.

Do not operate the appliance without the filter installed.

Do not operate the appliance near heat sources.

This appliance is intended for indoor, residential applications only. Do not use this appliance outdoors. Do not use this appliance for commercial or industrial applications.

If the air conditioner is transported on its back or side, it must be allowed to stand upright for 6 hours before plugging in to avoid damage to internal components.

Keep the appliance away from walls, furniture and curtains with a clearance of at least 30 cm (12 inches) on all sides.

GROUNDING INSTRUCTIONS

This appliance must be grounded. Grounding reduces the risk of electrical shock by providing an escape wire for the electrical current.

This appliance has a cord that has a grounding wire with a 3-prong plug. The power cord must be plugged into an outlet that is properly grounded. If the outlet is a 2-prong wall outlet, it must be replaced with a properly grounded 3-prong wall outlet. The serial rating plate indicates the voltage and frequency the appliance is designed for.

WARNING - Improper use of the grounding plug can result in a risk of electric shock. Consult a qualified electrician or service agent if the grounding instructions are not completely understood, or if doubt exists as to whether the appliance is properly grounded.

Do not connect the appliance to extension cords, adapters or together with another appliance in the same wall outlet.

Do not splice the power cord. Do not under any circumstances cut or remove the third ground prong from the power cord.

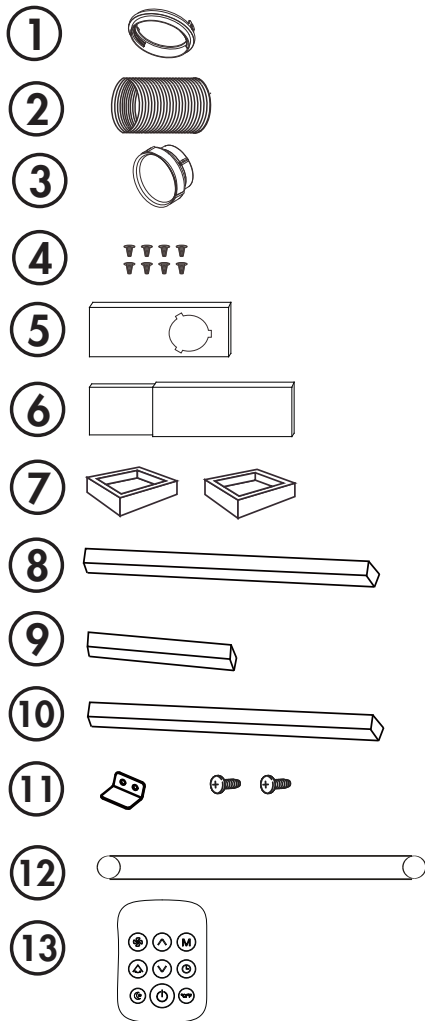
If the power supply cord is damaged, it must be replaced by the manufacturer, its service agent or similar qualified person in order to avoid hazard.

SAVE THESE INSTRUCTIONS!

INSTALLATION INSTRUCTIONS

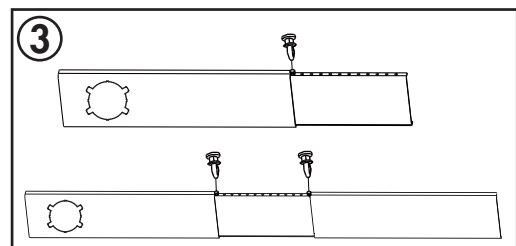
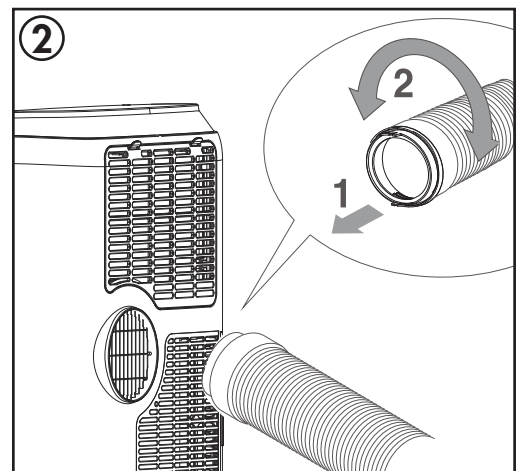
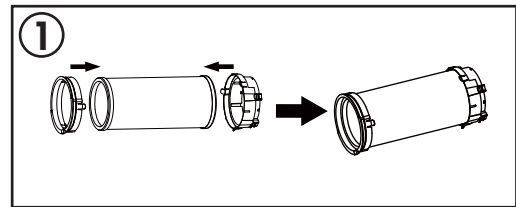
ACCESSORIES

1. Air outlet adapter
2. Exhaust hose
3. Window slider adapter
4. Bolts
5. Window slider A
6. Window slider B and C
7. Caster locks
8. Foam seal A (adhesive)
9. Foam seal B (adhesive)
10. Foam seal C (non-adhesive)
11. Security bracket and 2 screws
12. Drain hose
13. Remote control



ASSEMBLING THE WINDOW KIT

1. Attach the air outlet adapter and the window slider adapter onto either end of the exhaust hose.
2. Insert the air outlet adapter into the lower groove of the air outlet on the back of the appliance. Ensure that the hook of the adapter is aligned with the hole seat of the air outlet and then slide down.
3. Measure the window opening where the window kit will be installed. Assemble as many sliders as necessary to fit the window.
4. If the length of the window requires all three sliders, use two bolts to fasten the sliders at the correct length.
5. If the window opening is less than the minimum length of a single slider, use the slider that has the hole in it and cut it to the correct length. Make sure not to cut the end that has the hole as this is necessary to attach the exhaust hose adapter.



REQUIRED TOOLS

1. Medium sized Phillips screwdriver
2. Tape measure or ruler
3. Knife or scissors
4. Saw (in the event that the window sliders need to be cut to size)

INSTALLATION INSTRUCTIONS

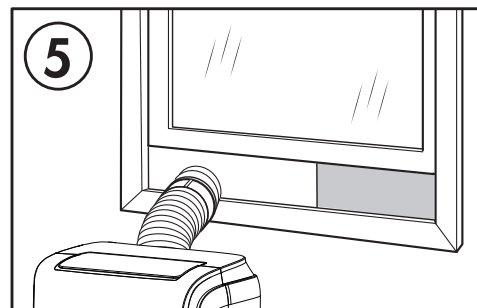
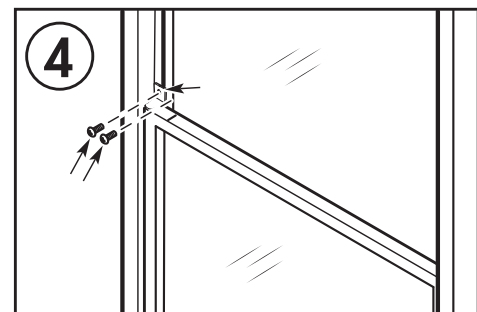
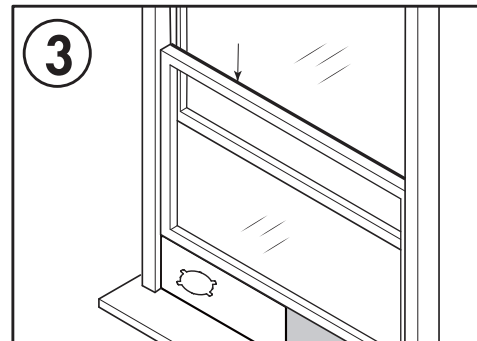
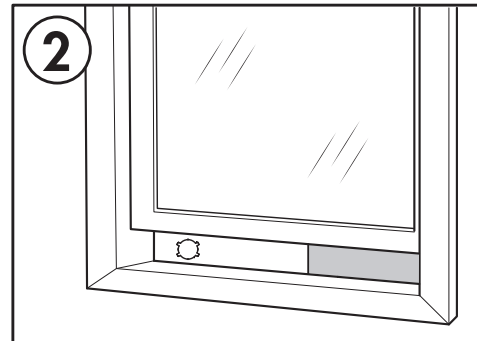
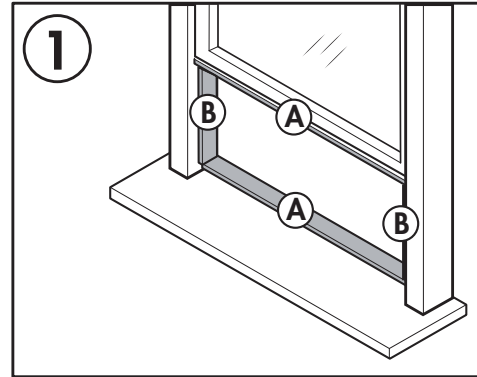
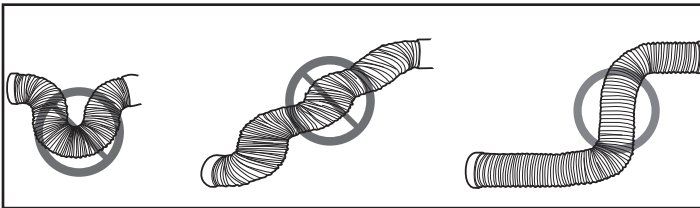
INSTALLING THE WINDOW KIT

There are two possible installation methods depending on the available window type.

Hung Window Installation

1. Cut the adhesive foam seals A and B to the correct length for the window. Attach them to the window sash and frame as shown.
2. Insert the assembled window slider kit into the window opening.
3. Cut the non-adhesive foal seal C to match the width of the window. Insert the foam seal between the glass and the window frame to prevent air and insects from getting into the room.
4. Install the security bracket in the window frame with the two provided screws.
5. Attach the window slider adapter to the hole in the window slider kit.

Note: Do not over extend or bend the hose as this will impede air flow.

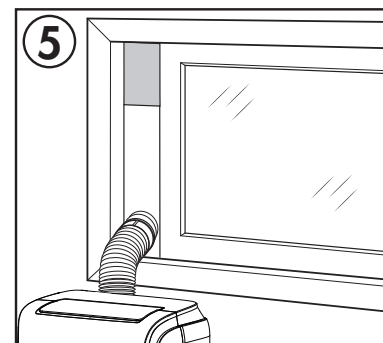
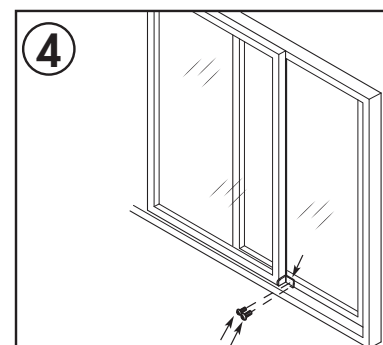
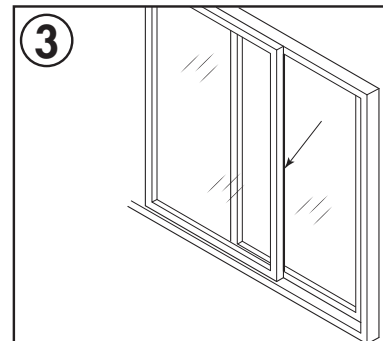
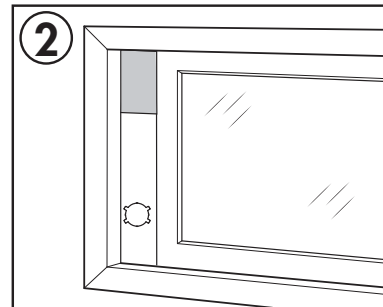
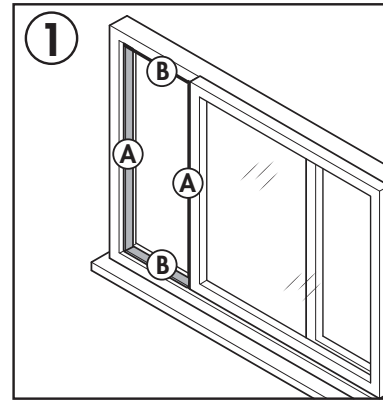
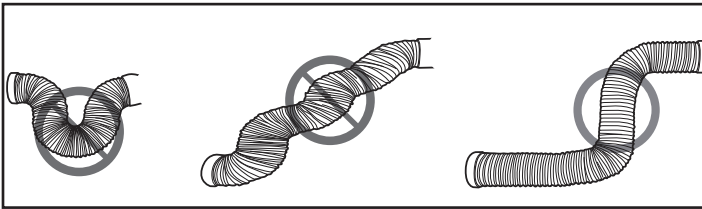


INSTALLATION INSTRUCTIONS

Sliding Window Installation

1. Cut the adhesive foam seals A and B to the correct length for the window. Attach them to the window sash and frame as shown.
2. Insert the assembled window slider kit into the window opening.
3. Cut the non-adhesive foal seal C to match the width of the window. Insert the foam seal between the glass and the window frame to prevent air and insects from getting into the room.
4. Install the security bracket in the window frame with the two provided screws.
5. Attach the window slider adapter to the hole in the window slider kit.

Note: Do not over extend or bend the hose as this will impede air flow.

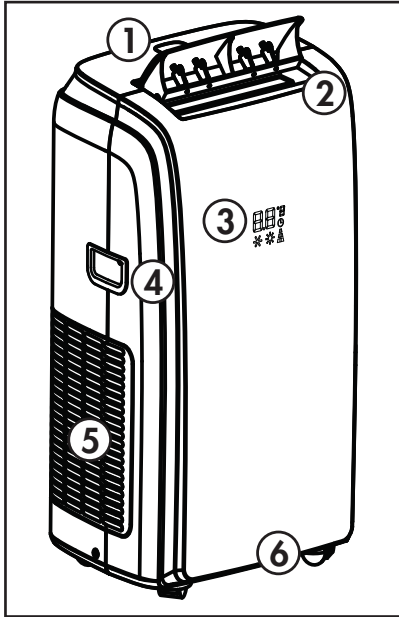


OPERATING INSTRUCTIONS

FEATURES

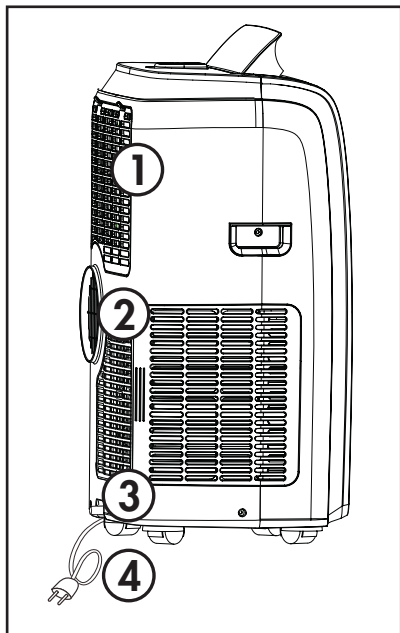
Front

1. Control panel
2. Air outlet grill
3. LED display
4. Handle (both sides)
5. Air intake grill
6. Rollers



Rear

1. Air intake grill
2. Air outlet
3. Drain outlet
4. Power cord



LOCATION

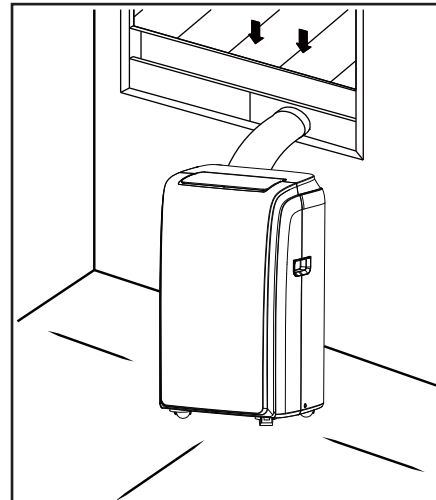
Place the air conditioner on a smooth, level floor that is strong enough to support it and all included accessories.

Make sure the appliance is level to minimize noise and vibration.

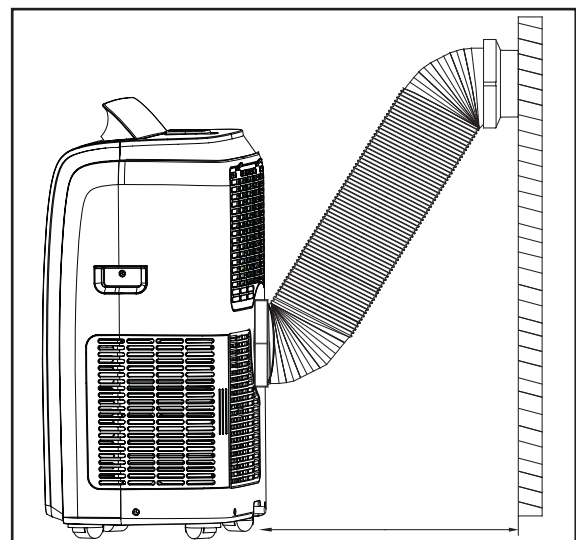
The appliance must be installed near a grounded receptacle and the overflow drain outlet on the rear of the appliance must be accessible.

Do not cover air inlets or outlets or the remote control receiver on the control panel.

The appliance requires 30 cm (12 inches) of clearance on the front and sides.



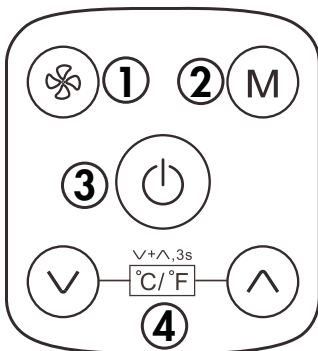
The appliance requires at least 50 cm (20 inches) of clearance on the back.



OPERATING INSTRUCTIONS

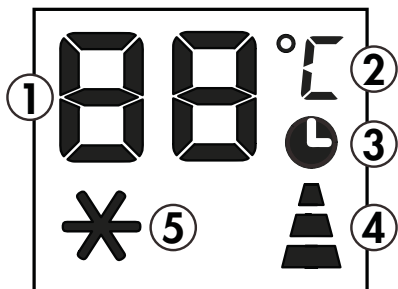
CONTROL PANEL

1. **Fan Button:** Press to select fan speed; low, medium, high.
2. **Mode Button:** Press to select the desired mode; cool, dry, fan.
3. **Power Button:** Press to turn the appliance on or off.
4. **Up and Down Buttons:**
 - Used to adjust the set temperature in 1° increments.
 - Press and hold both up and down buttons for 3 seconds to change the temperature display from °C to °F.



LED DISPLAY

1. **Temperature and Timer Display:** Shows the set temperature of the timer setting.
2. **Temperature Scale:** Indicates whether the temperature scale is set to °C or °F.
3. **Timer Indicator:** Illuminates if the timer is activated.
4. **Fan Speed Display:** Shows the current fan speed setting; low, med, high.
5. **Mode Display:** Shows the current mode; cool, dry, fan.



REMOTE CONTROL

1. **Fan Button:** Press to select fan speed; low, medium, high.
2. **Swing Button:** Press to start the auto swing feature. When auto swing is activated, press again to stop the louver at the desired angle.
3. **Sleep:** Press to start the sleep function.
4. **Up and Down Buttons:** Used to set the temperature and timer.
5. **Power Button:** Press to turn the appliance on or off.
6. **Mode Button:** Press to select the desired mode. Modes will cycle in sequence with each press of the button; cool, dry, fan.
7. **Timer Button:** Press to set the timer function.
8. **°C/°F Button:** Press to change the temperature display from °C to °F.



OPERATING INSTRUCTIONS

Operating Modes

- **Cool Mode**

Choose cool mode to set the cooling function. Use the up and down arrows to choose the desired temperature. Press the fan button to adjust the fan speed.

The temperature can be set within a range of 18 - 32°C (64 - 90°F).

The exhaust hose should be installed during cool mode to ensure the best results.

- **Dry Mode**

Choose dry mode to remove excess moisture from the air during periods of high humidity. All water pulled from the air will collect inside the appliance and evaporate due to the heat from the compressor. In especially humid conditions, it may be necessary to empty the drain pan when it becomes full. Press the fan button to adjust the fan speed.

The exhaust hose should be installed during dry mode to ensure the best results.

- **Fan Mode**

Choose fan mode to run the internal fan without engaging the cooling function. Press the fan button repeatedly to choose the fan speed, low, med, high.

- **Heat Mode**

Choose heat mode to set the heating function. Use the up and down arrows to choose the desired temperature. Press the fan button to adjust the fan speed.

The temperature can be set within a range of 13 - 27°C (55 - 81°F).

Timer Function

To set the turn off timer:

1. Ensure the appliance is turned on.
2. Press the timer button, the time on the display will flash.
3. Press the timer button to select the desired amount of hours before the unit turns off.

To set the turn on timer:

1. Ensure the appliance is turned off.
2. Press the timer button, the time on the display will flash.
3. Press the timer button to select the desired amount of hours before the unit turns on.

Notes:

- The display will revert back to showing the temperature setting if the appliance does not receive a signal within a 5 second period during programming.
- Turning the appliance on or off at any time or adjusting the timer setting to 0.0 hours will cancel the timer settings.
- The timer can be set between 1 - 24 hours.

Sleep Function

The sleep function can be used to conserve energy during sleeping hours.

When selected, the set temperature will increase by 2 degrees over a 2 hours period. The appliance will hold the new set temperature for 7 hours before automatically returning to normal operation.

The sleep function can be canceled at any time by pressing the sleep button.

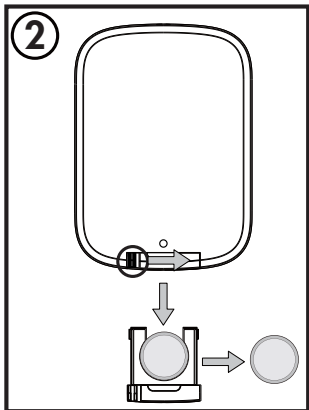
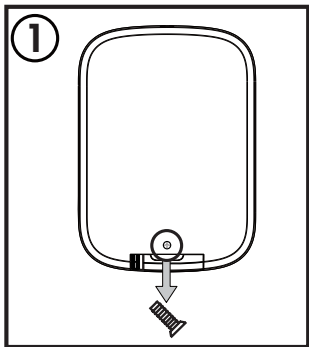
OPERATING INSTRUCTIONS

REPLACING THE REMOTE BATTERIES

The remote control will arrive with a CR2025 coin battery pre-installed. It may be necessary to remove a clear, plastic insulating strip before first use of the remote control.

Follow the steps below to replace the battery.

1. Use a screwdriver to remove the screw that secures the battery cover.
2. Push the battery cover hook to the right to release it from the remote control. Pull the battery cover out.



IMPORTANT

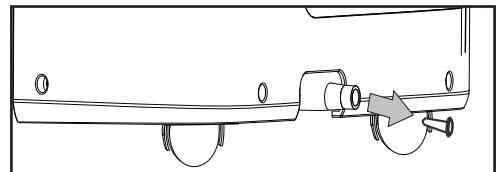
Do not dispose of batteries as unsorted municipal waste. Refer to local laws for proper disposal of batteries.

WATER DRAINAGE

When the internal drain pan becomes full the appliance will beep 8 times and the digital display will show error code P1. The air conditioning or dehumidifying action will stop but the fan may continue to operate.

Follow the steps below to drain the appliance.

1. Turn the appliance off and unplug it from the power source.
2. Carefully move the appliance to a location where the water can be drained.
3. Remove the drain plug and allow the water to completely drain.
4. Replace the bottom drain plug, pressing firmly to ensure a tight fit and no leaks.
5. The P1 error symbol will disappear and the appliance will resume regular function once power is restored.



Notes:

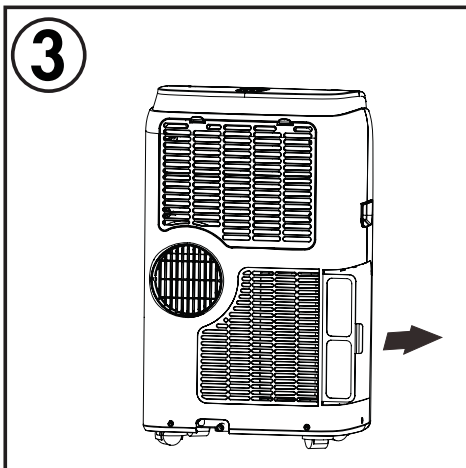
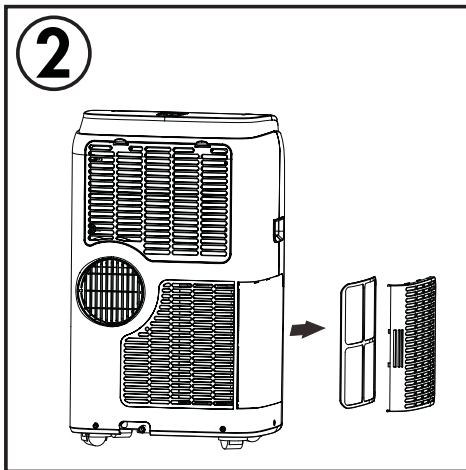
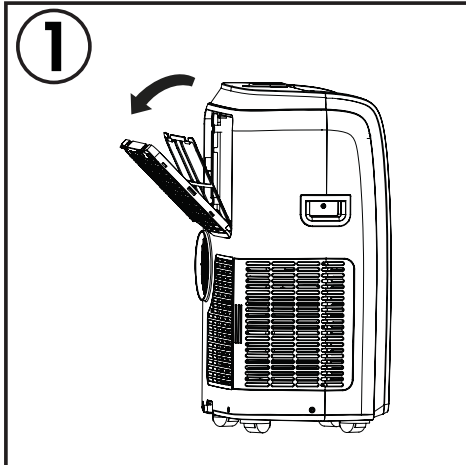
- The air conditioner will not respond if curtains, doors or other materials block the signal from the remote control to the appliance.
- If the infrared signal receiver on the indoor unit is exposed to direct sunlight, the air conditioner may not function properly. Use curtains to prevent the sunlight from falling on the receiver.
- Do not allow the remote control to get wet.
- Do not expose the remote control to direct sunlight or heat.
- Do not leave the battery in the remote control if it is not going to be used for more than 2 months.

CARE & MAINTENANCE

AIR FILTERS

There are three air filters in this appliance. Air filters should be cleaned every two weeks to ensure efficient performance.

In households with animals, the air filters may need to be cleaned more often and the external grills may need to be wiped to prevent blocked air flow.



CLEANING

- Unplug the appliance before cleaning or servicing.
- Clean the cabinet with a lukewarm damp cloth and neutral detergent. Dry the cabinet with a lint-free dry cloth.
- Do not use gasoline, paint thinner or other chemicals to clean the appliance.
- Do not wash the appliance directly under a tap or using a hose. It may cause electrical damage.

LONG-TERM STORAGE

1. Drain all water from the appliance.
2. Run the appliance on fan mode for half a day in a warm room to dry the inside of the appliance and prevent mold formation.
3. Turn off the appliance and unplug it, wrap the cord and bundle it with tape.
4. Remove the battery from the remote control.
5. Clean the air filters and reinstall them.
6. Store the appliance in a cool, dark place. Prolonged exposure to direct sunlight or extreme heat can shorten the lifespan of the appliance.

DISPOSAL

This appliance should not be treated as regular household waste. Check for local regulatory compliance regarding the approved and safe disposal of this appliance.

ERROR CODES

- E1 - room temperature sensor error
- E2 - evaporator temperature sensor error
- E3 - condenser temperature sensor error
- E4 - display panel communication error
- E7 - zero crossing malfunction
- P1 - water tray is full - attach drain hose and drain excess water

TROUBLESHOOTING

Danby Consumer Care: 1-800-263-2629

Hours of operation:

Monday to Thursday 8:30 am - 6:00 pm Eastern Standard Time

Friday 8:30 am - 4:00 pm Eastern Standard Time

Information in this manual is subject to change without notice.

PROBLEM	POSSIBLE CAUSE
Appliance will not operate	<ul style="list-style-type: none">• Plug is not fully inserted into the wall outlet• Blown fuse or circuit breaker
Insufficient cooling	<ul style="list-style-type: none">• Air filters are dirty• Blocked air flow• Appliance size is too small for application
Noise	<ul style="list-style-type: none">• The ground is not level• Air filters are dirty• Gurgling sounds are normal; this is the refrigerant moving inside the appliance
Odors	<ul style="list-style-type: none">• Formation of mold or mildew on internal wet surfaces• Place an algaecide tablet in base pan; push the tablet through the grill on the back of the appliance

LIMITED "IN HOME" WARRANTY

This quality product is warranted to be free from manufacturer's defects in material and workmanship, provided that the unit is used under the normal operating conditions intended by the manufacturer.

This warranty is available only to the person to whom the unit was originally sold by Danby Products Limited (Canada) or Danby Products Inc. (U.S.A.) (hereafter "Danby") or by an authorized distributor of Danby, and is non-transferable.

TERMS OF WARRANTY

Plastic parts are warranted for thirty (30) days from the date of purchase, with no extensions provided.

First 12 months During the first **twelve (12) months**, any functional parts of this product found to be defective, will be repaired or replaced, at warrantor's option, at no charge to the original purchaser.

To obtain service Contact the dealer where the unit was purchased, or contact the nearest authorized Danby service depot, where service must be performed by a qualified service technician. If service is performed on the unit by anyone other than an authorized service depot, all obligations of Danby under this warranty shall be void.

Boundaries of in-home service Danby reserves the right to limit the boundaries of "In Home Service" to the proximity of an authorized service depot. Any appliance requiring service outside the limited boundaries of "In Home Service", will be the consumer's responsibility to transport at their own expense to the original point of purchase or a service depot for repair. If the appliance is installed in a location that is **100 kilometers (62 miles)** or more from the nearest service center, it must be delivered to the nearest authorized Danby Service Depot by the purchaser.

Transportation charges to and from the service location are not protected by this warranty and are the responsibility of the purchaser.

Nothing within this warranty shall imply that Danby will be responsible or liable for any spoilage or damage to food or other contents of this appliance, whether due to any defect of the appliance, or its use, whether proper or improper.

EXCLUSIONS

Save as herein provided, by Danby, there are no other warranties, conditions, representations or guarantees, express or implied, made or intended by Danby or its authorized distributors and all other warranties, conditions, representations or guarantees, including any warranties, conditions, representations or guarantees under any Sale of Goods Act or like legislation or statute is hereby expressly excluded. Save as herein provided, **Danby shall not be responsible for any damages to persons or property, including the unit itself, howsoever caused or any consequential damages arising from the malfunction of the unit and by the purchase of the unit, the purchaser does hereby agree to indemnify and hold harmless Danby from any claim for damages to persons or property caused by the unit.**

GENERAL PROVISIONS

No warranty or insurance herein contained or set out shall apply when damage or repair is caused by any of the following:

- 1) Power failure.
- 2) Damage in transit or when moving the appliance.
- 3) Improper power supply such as low voltage, defective house wiring or inadequate fuses.
- 4) Accident, alteration, abuse or misuse of the appliance such as inadequate air circulation in the room or abnormal operating conditions (ie. extremely high or low room temperature).
- 5) Use for commercial or industrial purposes (ie. If the appliance is not installed in a domestic residence).
- 6) Fire, water damage, theft, war, riot, hostility, acts of God such as hurricanes, floods etc.
- 7) Service calls resulting in customer education.
- 8) Improper Installation (ie. Building-in of a free standing appliance or using an appliance outdoors that is not approved for outdoor application, including but not limited to: garages, patios, porches or anywhere that is not properly insulated or climate controlled).

Proof of purchase date will be required for warranty claims; retain bills of sale. In the event that warranty service is required, present the proof of purchase to our authorized service depot.

**Warranty Service
In Home**

Danby Products Limited
PO Box 1778, Guelph, Ontario, Canada N1H 6Z9
Telephone: (519) 837-0920 FAX: (519) 837-0449

**1-800-263-2629
04/17**

Danby Products Inc.
PO Box 669, Findlay, Ohio, U.S.A. 45840
Telephone: (419) 425-8627 FAX: (419) 425-8629

Bienvenue

Bienvenue à la famille Danby. Nous sommes fiers de la qualité de nos produits et nous croyons en le service fiable. Nous vous suggérons de lire ce manuel d'utilisation avant de brancher votre nouvel appareil car il contient des informations importantes sur l'utilisation, la sécurité, le dépannage et la maintenance, afin d'assurer la fiabilité et la longévité de votre appareil.

Visitez www.Danby.com pour accéder aux outils d'autoservice, aux FAQ et bien plus encore. Pour obtenir de l'aide supplémentaire, composez **1-800-263-2629**.

Notez les informations ci-dessous; Vous aurez besoin de cette information pour obtenir un service sous garantie.

Vous devez fournir le reçu d'achat original pour valider votre garantie et recevoir le service.

Numéro de modèle: _____

Numéro de serie: _____

Date d'achat: _____

Besoin d'assistance?

Avant d'appeler pour service, voici quelques choses que vous pouvez faire pour nous aider à mieux vous servir.

Lire ce manuel du propriétaire:

Il contient des instructions pour vous aider à utiliser et à maintenir votre appareil correctement.

Si vous recevez un appareil endommagé:

Contactez immédiatement le revendeur ou l'entrepreneur qui vous a vendu l'appareil.

Gagnez du temps et de l'argent:

Avant d'appeler pour service, consultez la section de dépannage à la fin de ce manuel. Cette section vous aidera à résoudre les problèmes courants pouvant survenir.



1-800-26- Danby
(1-800-263-2629)



Informations importantes de sécurité

LIRE ET SUIVRE TOUTES LES INSTRUCTIONS DE SÉCURITÉ

EXIGENCES DE SÉCURITÉ

Cet appareil n'est pas destiné à être utilisé par des personnes (y compris des enfants) dont les capacités physiques, sensorielles ou mentales peuvent être différentes ou réduites, ou qui n'ont pas d'expérience ou de connaissances, à moins que ces personnes ne soient surveillées ou formées pour faire fonctionner l'appareil par une personne responsable de leur sécurité.

Les enfants devraient être surveillés pour s'assurer qu'ils ne jouent pas avec l'appareil.

Pour éviter tout risque de choc électrique, ne pas utiliser cet appareil dans une zone susceptible d'accumuler de l'eau stagnante. Si cette condition se développe, débranchez l'alimentation avant de pénétrer dans l'eau.

Ne pas stocker ou utiliser des matériaux combustibles tels que de l'essence ou d'autres vapeurs ou liquides inflammables à proximité de ce ou d'un autre appareil.

Ne pas insérer de doigts ou d'autres objets dans des grilles ou des ouvertures dans l'appareil.

Ne pas couvrir ou bloquer les ouvertures d'admission et d'échappement.

N'utilisez pas l'appareil sans le filtre installé.

N'utilisez pas l'appareil à proximité de sources de chaleur.

Cet appareil est destiné uniquement à des applications résidentielles et intérieures. N'utilisez pas cet appareil à l'extérieur. N'utilisez pas cet appareil pour des applications commerciales ou industrielles.

Si le climatiseur est transporté sur son dos ou sur son côté, il doit être maintenu debout pendant 6 heures avant de brancher pour éviter d'endommager les composants internes.

Gardez l'appareil à l'écart des murs, des meubles et des rideaux avec un jeu d'au moins 30 cm (12 pouces) sur tous les côtés.

INSTRUCTIONS DE MISE À LA TERRE

Cet appareil doit être mis à la terre. La mise à la terre réduit le risque de choc électrique en fournissant un câble d'échappement pour le courant électrique.

Cet appareil possède un cordon doté d'un fil de mise à la terre avec une fiche à 3 broches. Le cordon d'alimentation doit être branché sur une prise correctement mise à la terre. Si la sortie est une prise murale à 2 broches, elle doit être remplacée par une prise murale à 3 broches correctement mise à la terre. La plaque signalétique en série indique la tension et la fréquence auxquelles l'appareil est conçu.

AVERTISSEMENT - L'utilisation incorrecte de la fiche de mise à la terre peut entraîner un risque d'électrocution. Consultez un électricien qualifié ou un agent de service si les instructions de mise à la terre ne sont pas complètement comprises ou s'il existe un doute quant à savoir si l'appareil est correctement mis à la terre.

Ne branchez pas l'appareil à des rallonges, des adaptateurs ou à un autre appareil dans la même prise murale.

Ne pas épisser le cordon d'alimentation. Ne coupez ou retirez en aucun cas la troisième broche du cordon d'alimentation.

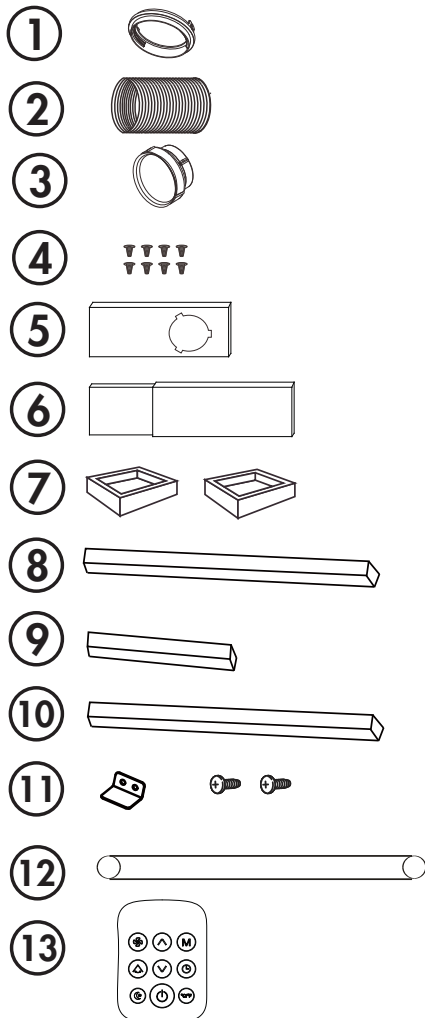
Si le cordon d'alimentation est endommagé, il doit être remplacé par le fabricant, son agent de maintenance ou une personne qualifiée similaire afin d'éviter tout risque.

GARDEZ CES INSTRUCTIONS!

INSTRUCTIONS D'INSTALLATION

ACCESSORIES

1. Adaptateur de sortie d'air
2. Tuyau d'échappement
3. Adaptateur de curseur de fenêtre
4. Boulons
5. Curseur de la fenêtre A
6. Curseur de fenêtre B et C
7. Verrous de roulette
8. Joint en mousse A (adhésif)
9. Joint en mousse B (adhésif)
10. Joint en mousse C (non adhésif)
11. Support de sécurité et 2 vis
12. Tuyau de drainage
13. Télécommande

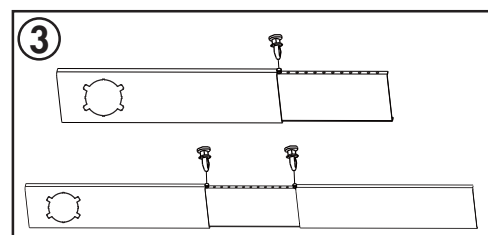
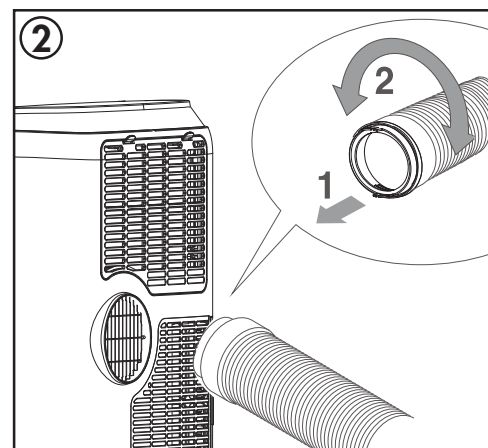
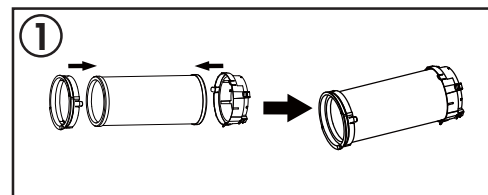


OUTILS REQUIS

1. Tournevis Phillips de taille moyenne
2. Ruban à mesurer ou règle
3. Couteau ou ciseaux
4. Scie (dans le cas où les curseurs de fenêtre doivent être coupés en taille)

ASSEMBLAGE DU TROUSSE DE FENÊTRE

1. Fixez l'adaptateur de sortie d'air et l'adaptateur de glissière de fenêtre sur l'extrémité du tuyau d'échappement.
2. Insérez l'adaptateur de sortie d'air dans la rainure inférieure de la sortie d'air à l'arrière de l'appareil. Assurez-vous que le crochet de l'adaptateur est aligné avec le siège du trou de la sortie d'air, puis faites-le glisser vers le bas.
3. Mesurez l'ouverture de la fenêtre où le kit de fenêtre sera installé. Assemblez autant de curseurs que nécessaire pour s'adapter à la fenêtre.
4. Si la longueur de la fenêtre nécessite les trois curseurs, utilisez deux boulons pour fixer les curseurs à la bonne longueur.
5. Si l'ouverture de la fenêtre est inférieure à la longueur minimale d'un seul curseur, utilisez le curseur qui contient le trou et coupez-le à la longueur correcte. Assurez-vous de ne pas couper l'extrémité qui a le trou car il est nécessaire d'attacher l'adaptateur de tuyau d'échappement.



INSTRUCTIONS D'INSTALLATION

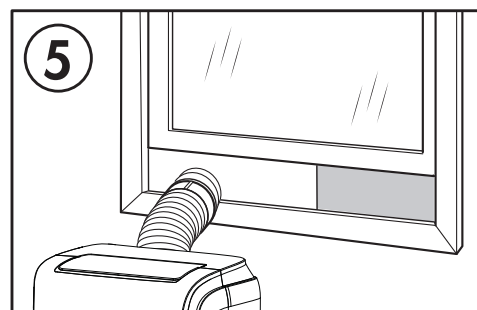
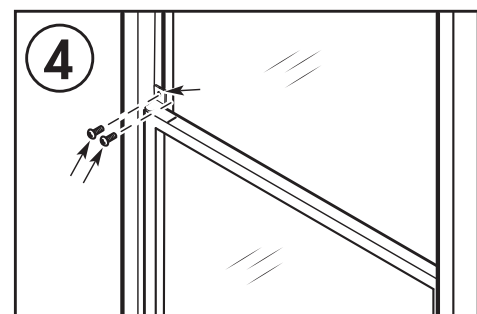
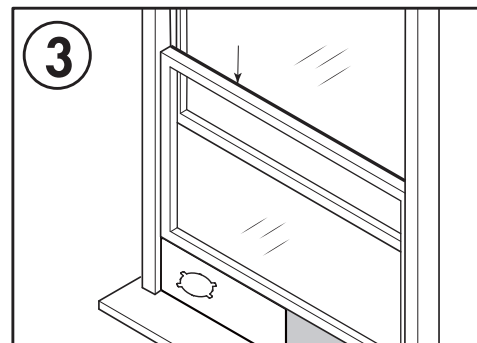
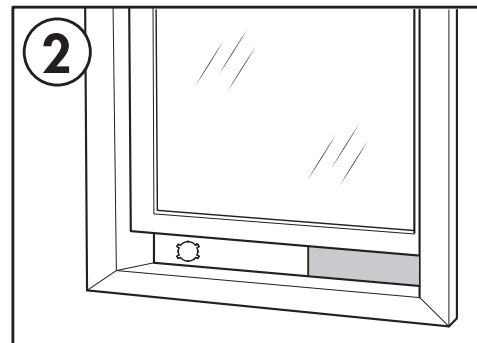
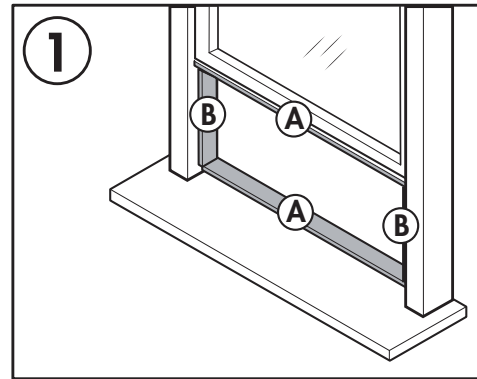
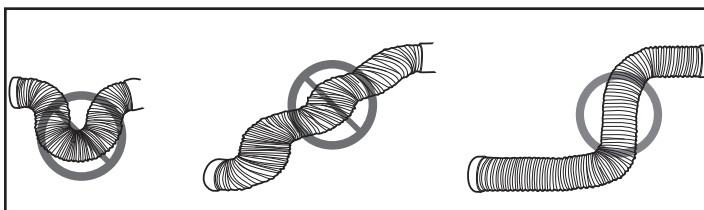
INSTALLATION DU TROUSSE DE FENÊTRE

Il existe deux méthodes d'installation possibles en fonction du type de fenêtre disponible.

Installation dans une fenêtre à guillotine

1. Couper les joints de mousse adhésive A et B à la longueur correcte pour la fenêtre. Fixez-les sur le cadre de la fenêtre et l'image comme indiqué.
2. Insérez le kit de curseur de fenêtre assemblé dans l'ouverture de la fenêtre.
3. Couper le joint d'étanchéité du pêtre non adhésif C pour correspondre à la largeur de la fenêtre. Insérez le joint en mousse entre le verre et le cadre de la fenêtre pour éviter que l'air et les insectes ne pénètrent dans la pièce.
4. Installez le support de sécurité dans le cadre de la fenêtre avec les deux vis fournies.
5. Fixez l'adaptateur du curseur de fenêtre au trou dans le kit de curseur de fenêtre.

Remarque: Ne pas trop étendre ni plier le tuyau, car cela entravera le flux d'air.

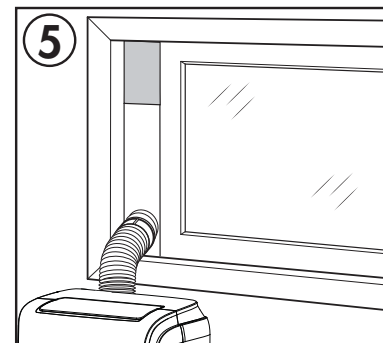
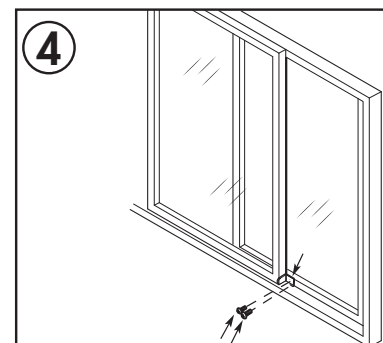
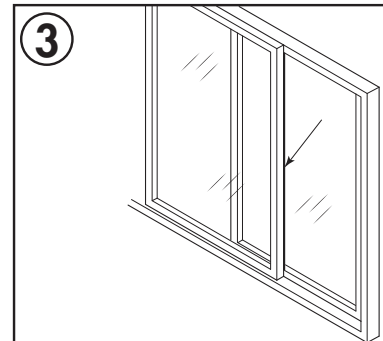
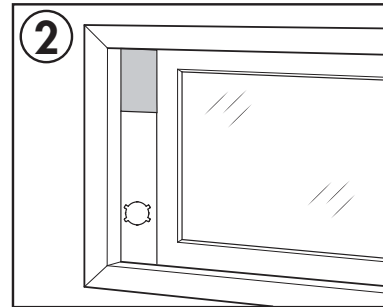
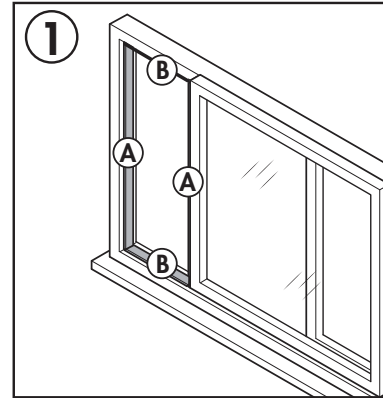
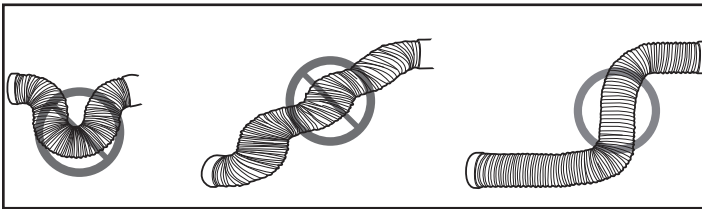


INSTRUCTIONS D'INSTALLATION

Installation dans une fenêtre coulissante

1. Couper les joints de mousse adhésive A et B à la longueur correcte pour la fenêtre. Fixez-les sur le cadre de la fenêtre et l'image comme indiqué.
2. Insérez le kit de curseur de fenêtre assemblé dans l'ouverture de la fenêtre.
3. Couper le joint d'étanchéité du pêtre non adhésif C pour correspondre à la largeur de la fenêtre. Insérez le joint en mousse entre le verre et le cadre de la fenêtre pour éviter que l'air et les insectes ne pénètrent dans la pièce.
4. Installez le support de sécurité dans le cadre de la fenêtre avec les deux vis fournies.
5. Fixez l'adaptateur du curseur de fenêtre au trou dans le kit de curseur de fenêtre.

Remarque: Ne pas trop étendre ni plier le tuyau, car cela entravera le flux d'air.

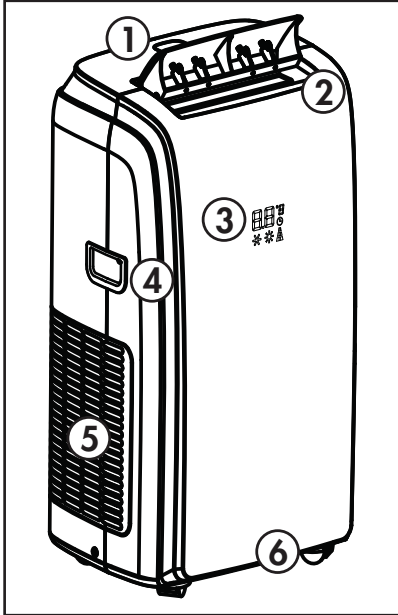


INSTRUCTIONS D'UTILISATION

CARACTÉRISTIQUES

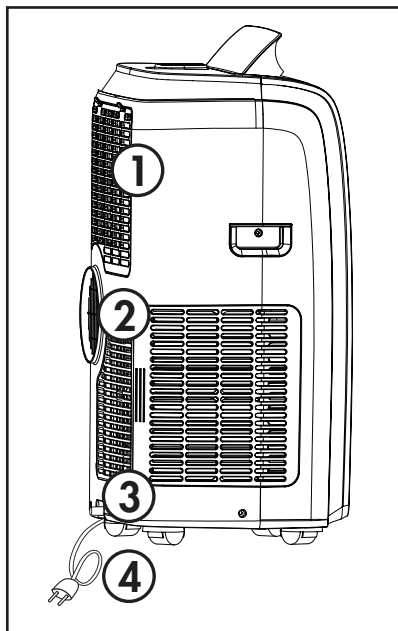
Avant

1. Panneau de contrôle
2. Grille de sortie d'air
3. Affichage LED
4. Poignée (des deux côtés)
5. Grille d'admission d'air
6. Rouleaux



Arrière

1. Grille d'admission d'air
2. Sortie d'air
3. Sortie de vidange
4. Cordon d'alimentation



EMPLACEMENT

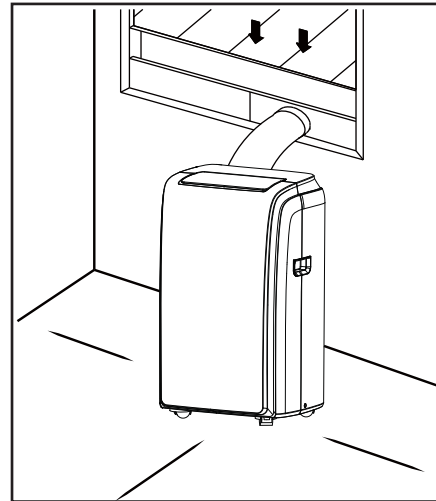
Placez le climatiseur sur un plancher lisse et plat qui est assez solide pour le supporter et tous les accessoires inclus.

Assurez-vous que l'appareil est à niveau pour minimiser les bruits et les vibrations.

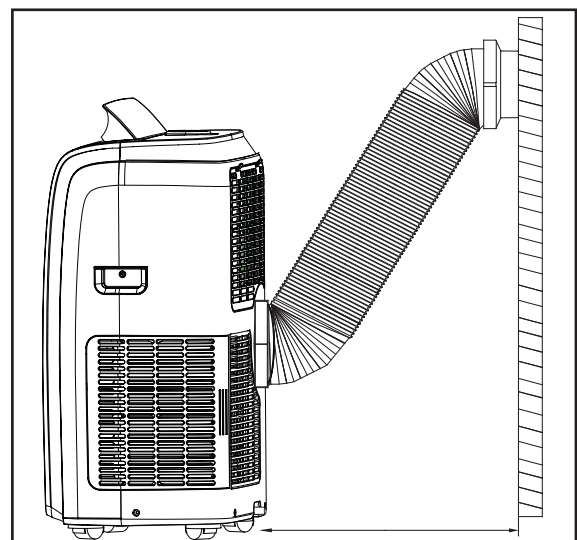
L'appareil doit être installé près d'une prise de mise à la terre et la sortie de vidange à l'arrière de l'appareil doit être accessible.

Ne pas couvrir les entrées d'air ou les prises de courant ou le récepteur de la télécommande sur le panneau de commande.

L'appareil nécessite un dégagement de 30 cm (12 pouces) sur le devant et sur les côtés.



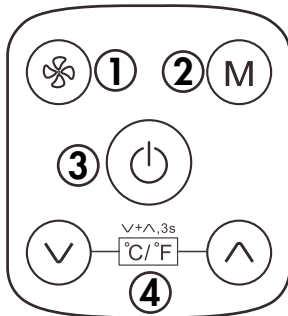
L'appareil nécessite au moins 50 cm (20 pouces) de dégagement sur le dos.



INSTRUCTIONS D'UTILISATION

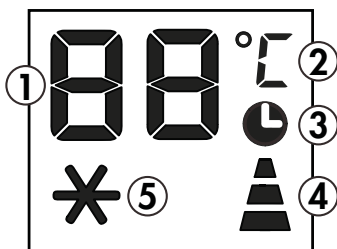
PANNEAU DE CONTRÔLE

- Bouton du ventilateur:** Appuyez pour sélectionner la vitesse du ventilateur; bas, moyen, haut.
- Bouton de mode:** Appuyez pour sélectionner le mode désiré; frais, sec, ventilateur.
- Bouton d'alimentation:** Appuyez pour allumer ou éteindre l'appareil.
- Boutons haut et bas:**
 - Utilisé pour ajuster la température de consigne par incréments de 1°.
 - Appuyez et maintenez les deux boutons haut et bas pendant 3 secondes pour changer l'affichage de la température de °C à °F.



AFFICHAGE LED

- Affichage de la température et de la minuterie:** Affiche la température réglée du réglage de la minuterie.
- Échelle de température:** Indique si l'échelle de température est réglée sur °C ou °F.
- Indicateur de minuterie:** S'allume si la minuterie est activée.
- Affichage de la vitesse du ventilateur:** Affiche le réglage actuel de la vitesse du ventilateur; bas, med, haut.
- Affichage du mode:** Affiche le mode actuel frais, sec, ventilateur.



TÉLÉCOMMANDE

- Bouton du ventilateur:** Appuyez pour sélectionner la vitesse du ventilateur; bas, moyen, haut.
- Bouton d'oscillation:** Appuyez sur pour démarrer la fonction d'oscillation automatique. Lorsque l'oscillation automatique est activée, appuyez à nouveau pour arrêter la persienne à l'angle souhaité.
- Bouton de dormir:** Appuyez sur pour démarrer la fonction de dormir.
- Boutons haut et bas:** Utilisé pour régler la température et la minuterie.
- Bouton d'alimentation:** Appuyez pour allumer ou éteindre l'appareil.
- Bouton de mode:** Appuyez pour sélectionner le mode désiré; frais, sec, ventilateur.
- Bouton de minuterie:** Appuyez sur pour régler la fonction de minuterie.
- Bouton de °C/°F:** Appuyez sur pour changer l'affichage de la température de °C à °F.



INSTRUCTIONS D'UTILISATION

Modes de fonctionnement

• Mode refroidissement (Cool)

Choisissez le mode cool pour régler la fonction de refroidissement. Utilisez les flèches haut et bas pour choisir la température désirée. Appuyez sur le bouton du ventilateur pour régler la vitesse du ventilateur.

La température peut être réglée dans une plage de 18 à 32°C (64 à 90°F).

Le tuyau d'échappement doit être installé en mode froid pour assurer les meilleurs résultats.

• Mode sec (Dry)

Choisissez le mode sec pour éliminer l'excès d'humidité de l'air pendant les périodes de forte humidité. Toute l'eau tirée de l'air va s'accumuler à l'intérieur de l'appareil et s'évaporer à cause de la chaleur du compresseur. Dans des conditions particulièrement humides, il peut être nécessaire de vider le bac de récupération lorsqu'il est plein. Appuyez sur le bouton du ventilateur pour régler la vitesse du ventilateur.

Le tuyau d'échappement doit être installé en mode sec pour assurer les meilleurs résultats.

• Mode ventilateur (Fan)

Choisissez le mode ventilateur pour faire fonctionner le ventilateur interne sans engager la fonction de refroidissement. Appuyez plusieurs fois sur le bouton du ventilateur pour choisir la vitesse du ventilateur, faible, moyenne ou élevée.

• Mode de chauffage (Heat)

Choisissez le mode de chauffage pour régler la fonction de chauffage. Utilisez les flèches haut et bas pour choisir la température désirée. Appuyez sur le bouton du ventilateur pour régler la vitesse du ventilateur.

La température peut être réglée entre 13 à 27°C (55 à 81°F).

Fonction de minuterie

Pour régler la minuterie d'extinction:

1. Assurez-vous que l'appareil est allumé.
2. Appuyez sur le bouton de la minuterie, l'heure sur l'écran clignotera.
3. Appuyez sur le bouton de la minuterie pour sélectionner le nombre d'heures désiré avant que l'appareil s'éteigne.

Pour régler le minuteur d'activation:

1. Assurez-vous que l'appareil est éteint.
2. Appuyez sur le bouton de la minuterie, l'heure sur l'écran clignotera.
3. Appuyez sur le bouton de la minuterie pour sélectionner le nombre d'heures désiré avant que l'appareil s'allume.

Remarques:

- L'affichage revient à l'affichage du réglage de la température si l'appareil ne reçoit pas de signal pendant une période de 5 secondes pendant la programmation.
- Allumer ou éteindre l'appareil à tout moment ou ajuster le réglage de la minuterie à 0,0 heure annulera les réglages de la minuterie.
- La minuterie peut être réglée entre 1 et 24 heures.

Fonction de dormir

La fonction de dormir peut être utilisée pour conserver l'énergie pendant les heures de dormir.

Lorsqu'elle est sélectionnée, la température réglée augmentera de 2 degrés sur une période de 2 heures. L'appareil maintient la nouvelle température réglée pendant 7 heures avant de revenir au fonctionnement normal.

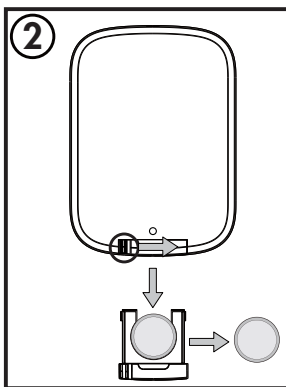
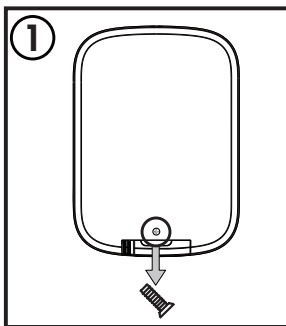
La fonction de dormir peut être annulée à tout moment en appuyant sur le bouton de dormir.

INSTRUCTIONS D'UTILISATION

REMPLACEMENT DES PILES DE LA TÉLÉCOMMANDE

La télécommande arrivera avec une pile bouton CR2025 préinstallée. Il peut être nécessaire de retirer une bande isolante transparente en plastique avant la première utilisation de la télécommande.

1. Suivez les étapes ci-dessous pour remplacer la batterie.
2. Utilisez un tournevis pour retirer la vis qui fixe le couvercle de la batterie. Poussez le crochet du couvercle de la batterie vers la droite pour le libérer de la télécommande. Retirez le couvercle de la batterie.



IMPORTANT

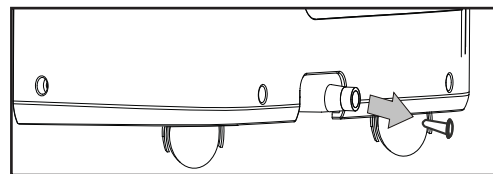
Ne pas jeter les piles en tant que déchets municipaux non triés. Reportez-vous aux lois locales pour l'élimination correcte des piles.

DRAINAGE DE L'EAU

Lorsque le bac de vidange interne est plein, l'appareil émet 8 bips et l'afficheur numérique affiche le code d'erreur P1. L'action de climatisation ou de déshumidification s'arrête, mais le ventilateur peut continuer à fonctionner.

Suivez les étapes ci-dessous pour vider l'appareil.

1. Éteignez l'appareil et débranchez-le de la source d'alimentation.
2. Déplacez soigneusement l'appareil dans un endroit où l'eau peut être vidangée.
3. Retirez le bouchon de vidange et laissez l'eau s'écouler complètement.
4. Remplacez le bouchon de vidange inférieur, en appuyant fermement pour assurer un ajustement serré et sans fuites.
5. Le symbole d'erreur P1 disparaîtra et l'appareil reprendra sa fonction normale une fois le courant rétabli.



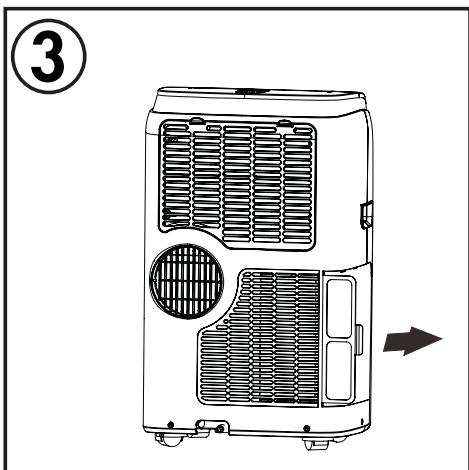
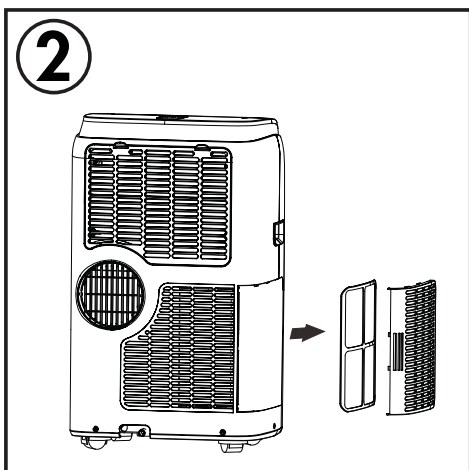
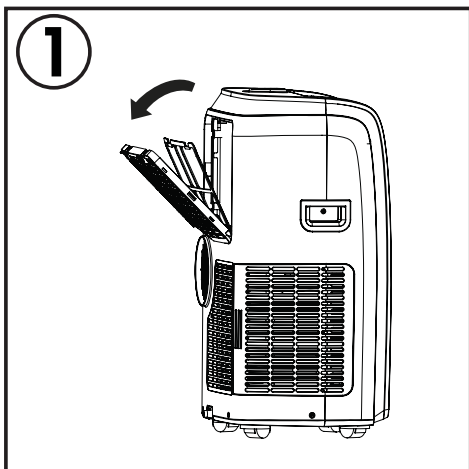
Remarques:

- Le climatiseur ne répondra pas si des rideaux, des portes ou d'autres matériaux bloquent le signal de la télécommande vers l'appareil.
- Si le récepteur de signal infrarouge sur l'unité intérieure est exposé à la lumière directe du soleil, le climatiseur peut ne pas fonctionner correctement. Utilisez des rideaux pour empêcher la lumière du soleil de tomber sur le récepteur.
- Ne laissez pas la télécommande se mouiller.
- N'exposez pas la télécommande à la lumière directe du soleil ou à la chaleur.
- Ne laissez pas la batterie dans la télécommande si elle ne va pas être utilisée pendant plus de 2 mois.

FILTRES À AIR

Il y a trois filtres à air dans cet appareil. Les filtres à air doivent être nettoyés toutes les deux semaines pour assurer une performance efficace.

Dans les ménages avec des animaux, les filtres à air doivent être nettoyés plus souvent et les grilles externes doivent être essuyées pour empêcher le flux d'air bloqué.



NETTOYAGE

- Débranchez l'appareil avant de le nettoyer ou de l'entretenir.
- Nettoyez le boîtier avec un chiffon humide tiède et un détergent neutre. Séchez le boîtier avec un chiffon sec non pelucheux.
- N'utilisez pas d'essence, de diluant à peinture ou d'autres produits chimiques pour nettoyer l'appareil.
- Ne pas laver l'appareil directement sous un robinet ou avec un tuyau. Cela pourrait causer des dommages électriques.

STOCKAGE À LONG TERME

1. Vidangez toute l'eau de l'appareil.
2. Faites fonctionner l'appareil en mode ventilateur pendant une demi-journée dans une pièce chaude pour sécher l'intérieur de l'appareil et éviter la formation de moisissure.
3. Éteignez l'appareil et débranchez-le, envelopper le cordon et l'attacher avec du ruban adhésif.
4. Retirez la batterie de la télécommande.
5. Nettoyez les filtres à air et réinstallez-les.
6. Rangez l'appareil dans un endroit frais et sombre. Une exposition prolongée à la lumière directe du soleil ou à une chaleur extrême peut réduire la durée de vie de l'appareil.

DISPOSITION

Cet appareil ne doit pas être traité comme un déchet ménager ordinaire. Vérifiez la conformité réglementaire locale concernant l'élimination approuvée et sûre de cet appareil.

CODES D'ERREUR

- E1 - erreur du capteur de température ambiante
- E2 - erreur du capteur de température de l'évaporateur
- E3 - erreur du capteur de température du condenseur
- E4 - erreur de communication du panneau d'affichage
- E7 - Dysfonctionnement du passage à zéro
- P1 - Bac à eau plein - Fixez le tuyau de vidange et vidangez l'excès d'eau

DÉPANNAGE

Danby soins du consommateur: 1-800-263-2629

Heures d'ouverture:

Lundi à Jeudi 8 h 30 à 18 h, heure normale de l'Est

Vendredi de 8 h 30 à 16 h, heure normale de l'Est

Les informations contenues dans ce manuel sont sujettes à modification sans préavis.

PROBLEME	CAUSE POSSIBLE
L'appareil ne fonctionnera pas	<ul style="list-style-type: none">• La fiche n'est pas complètement insérée dans la prise murale• Fusible soufflé ou disjoncteur
Refroidissement insuffisant	<ul style="list-style-type: none">• Les filtres à air sont sales• Flux d'air bloqué• La taille de l'appareil est trop petite pour l'application
Bruit	<ul style="list-style-type: none">• Le terrain n'est pas au niveau• Les filtres à air sont sales• Les sons de gargouille sont normaux; c'est le fluide frigorigène qui se déplace à l'intérieur de l'appareil
Odeurs	<ul style="list-style-type: none">• Formation de moisissure sur des surfaces intérieures humides• Placer un comprimé d'algaïcide dans un moule de base; enfoncer la tablette à travers la grille à l'arrière de l'appareil

GARANTIE LIMITÉE "À DOMICILE"

Cet appareil de qualité est garanti exempt de tout vice de matière première et de fabrication, s'il est utilisé dans les conditions normales recommandées par le fabricant.

Cette garantie n'est offerte qu'à l'acheteur initial de l'appareil vendu par Danby Products Limited (Canada) ou Danby Products Inc. (E.-U.A.) (ci-après « Danby ») ou par l'un des ses distributeurs agréés et elle ne peut être transférée.

CONDITIONS

Les pièces en plastique sont garanties pendant trente (30) jours seulement à partir de la date de l'achat, sans aucune prolongation prévue.

Premiers 12 mois Pendant les premiers **douze (12) mois**, toutes les pièces fonctionnelles de ce produit qui s'avèrent défectueuses seront réparées ou remplacées, selon le choix du garant, sans frais à l'acheteur initial.

Pour bénéficiaire du service S'adresser au détaillant qui a vendu l'appareil, ou à la station technique agréée de service la plus proche, où les réparations doivent être effectuées par un technicien qualifié. Si les réparations sont effectuées par quiconque autre que la station de service agréée ou à des fins commerciales, toutes les obligations de Danby en vertu de cette garantie seront annulées.

Limites de l'entretien à domicile Danby se réserve le droit de limiter les limites de "Service au domicile" à proximité d'un dépôt de service agréé. Tout appareil nécessitant un service en dehors des limites de "Service à domicile" sera la responsabilité du consommateur de transporter l'appareil à leur propres frais le point d'achat original ou un dépôt de service pour réparation. Si l'appareil est installé à plus de **100 kilomètres (62 milles)** du centre de service le plus proche, il doit être livré à l'atelier de réparation autorisé par Danby le plus proche, car l'entretien doit uniquement être réalisé par un technicien qualifié et certifié pour effectuer un entretien couvert par la garantie de Danby.

Les frais de transport entre votre domicile et le lieu de l'entretien ne sont pas couverts par la présente garantie et doivent être acquittés par l'acheteur.

Aucune partie de la garantie ne prévoit implicitement que le fabricant sera tenu responsable des dommages subis par les aliments ou d'autres types de contenu, qu'ils soient causés par la défectuosité de l'appareil ou par son usage adéquat ou inadéquat.

EXCLUSIONS

En vertu de la présente, il n'existe aucune autre garantie, condition ou représentation, qu'elle soit exprimée ou tacite, de façon manifeste ou intentionnelle, par Danby ou ses distributeurs agréés. De même, sont exclues toutes les autres garanties, conditions ou représentations, y compris les garanties, conditions ou représentations en vertu de toute loi régissant la vente de produits ou de toute autre législation ou règlement semblables. En vertu de la présente, Danby ne peut être tenue responsable en cas de blessures corporelles ou des dégâts matériels, y compris à l'appareil, quelle qu'en soit la cause. Danby ne peut pas être tenue responsable des dommages indirects dus au fonctionnement défectueux de l'appareil. En achetant l'appareil, l'acheteur accepte de mettre à couvert et de dégager Danby de toute responsabilité en cas de réclamation pour toute blessure corporelle ou tout dégât matériel causé par cet appareil.

CONDITIONS GÉNÉRALES

La garantie ou assurance ci-dessus ne s'applique pas si les dégâts ou réparations sont dus aux cas suivants:

- 1) Panne de courant.
- 2) Dommages subis pendant le transport ou le déplacement de l'appareil.
- 3) Alimentation électrique incorrecte (tension faible, câblage défectueux, fusibles incorrects).
- 4) Accident, modification, emploi abusif ou incorrect de l'appareil tel qu'une circulation d'air inadéquate dans la pièce ou des conditions de fonctionnement anormales (température extrêmement élevée ou basse).
- 5) Utilisation dans un but commercial ou industriel (à savoir, si l'appareil n'est pas installé dans un domicile résidentiel).
- 6) Incendie, dommages causés par l'eau, vol, guerre, émeute, hostilités, cas de force majeure (ouragan, inondation, etc.).
- 7) Visites d'un technicien pour expliquer le fonctionnement de l'appareil au propriétaire.
- 8) Installation inappropriée (par exemple, encastrement d'un appareil autoportant, ou utilisation extérieure d'un appareil non conçu à cet effet, y compris, mais sans s'y limiter: les garages, les patios, les porches ou ailleurs qui ne sont pas correctement isolés ou climatisés).

La preuve de la date d'achat sera requise pour les réclamations de garantie; Conserver les factures de vente. Dans le cas où un service de garantie est requis, présentez la preuve d'achat à notre dépôt de service agréé.

Service sous garantie

Service au domicile

Danby Products Limited
PO Box 1778, Guelph, Ontario, Canada N1H 6Z9
Téléphone : (519) 837-0920 Télécopieur: (519) 837-0449

1-800-263-2629
04/17

Danby Products Inc.
PO Box 669, Findlay, Ohio, U.S.A. 45840
Téléphone: (419) 425-8627 Télécopieur: (419) 425-8629

Bienvenido

Bienvenido a la familia Danby. Estamos orgullosos de nuestros productos de calidad y creemos en un servicio confiable. Sugerimos que lea este manual del propietario antes de conectar el nuevo aparato ya que contiene información importante sobre la operación, información de seguridad, solución de problemas y consejos de mantenimiento para garantizar la fiabilidad y longevidad de su electrodoméstico.

Visite **www.Danby.com** para acceder a herramientas de autoservicio, preguntas frecuentes y mucho más. Para asistencia adicional, llame al **1-800-263-2629**.

Tenga en cuenta la información siguiente; Necesitará esta información para obtener un servicio bajo garantía.

Debe proporcionar el recibo de compra original para validar su garantía y recibir servicio.

Número de modelo: _____

Número de serie: _____

Fecha de compra: _____

Necesitas ayuda?

Antes de llamar al servicio, aquí hay algunas cosas que puede hacer para ayudarnos a servirle mejor.

Lea este manual del propietario:

Contiene instrucciones para ayudarlo a usar y mantener su aparato correctamente.

Si recibe un aparato dañado:

Inmediatamente póngase en contacto con el minorista o el constructor que le vendió el aparato.

Ahorre tiempo y dinero:

Consulte la sección de solución de problemas al final de este manual antes de llamar. Esta sección le ayudará a resolver problemas comunes que pueden ocurrir.



1-800-26- Danby
(1-800-263-2629)



Información de Seguridad Importante

LEA Y SIGA TODAS LAS INSTRUCCIONES DE SEGURIDAD

REQUERIMIENTOS DE SEGURIDAD

Este aparato no está diseñado para ser utilizado por personas (incluyendo niños) cuyas capacidades físicas, sensoriales o mentales sean diferentes o reducidas, o que carezcan de experiencia o conocimiento, a menos que dichas personas reciban supervisión o entrenamiento para operar el aparato por una persona responsable de su uso. la seguridad.

Los niños deben ser supervisados para asegurarse de que no juegan con el aparato.

Para evitar el riesgo de descarga eléctrica, no utilice este aparato en un área que pueda acumular agua estancada. Si se desarrolla esta condición, desconecte la fuente de alimentación antes de entrar en el agua.

No almacene ni utilice materiales combustibles tales como gasolina u otros vapores o líquidos inflamables cerca de este o de cualquier otro aparato.

No introduzca los dedos u otros objetos en las parrillas o aberturas del aparato.

No cubra ni bloquee las aberturas de admisión y de escape.

No opere el aparato sin el filtro instalado.

No utilice el aparato cerca de fuentes de calor.

Este aparato está destinado únicamente a aplicaciones interiores y residenciales. No utilice este aparato al aire libre. No utilice este aparato para aplicaciones comerciales o industriales.

Si el acondicionador de aire es transportado en su parte posterior o lateral, se debe permitir que se mantenga erguido durante 6 horas antes de enchufarlo para evitar daños a los componentes internos.

Mantenga el aparato alejado de paredes, muebles y cortinas con un espacio de al menos 30 cm (12 pulgadas) por todos lados.

INSTRUCCIONES DE CONEXION A TIERRA

Este aparato debe estar conectado a tierra. La puesta a tierra reduce el riesgo de descarga eléctrica proporcionando un cable de escape para la corriente eléctrica.

Este aparato tiene un cable que tiene un cable de conexión a tierra con un enchufe de 3 clavijas. El cable de alimentación debe estar enchufado en un tomacorriente que esté debidamente conectado a tierra. Si el tomacorriente es un tomacorriente de dos clavijas, debe ser reemplazado por un tomacorriente de 3 clavijas con conexión a tierra adecuada. La placa de características en serie indica el voltaje y la frecuencia para los que está diseñado el artefacto.

ADVERTENCIA - El uso incorrecto del enchufe de conexión a tierra puede ocasionar un riesgo de descarga eléctrica. Consulte a un electricista o agente de servicio calificado si las instrucciones de conexión a tierra no se entienden completamente o si existe duda sobre si el aparato está debidamente conectado a tierra.

No conecte el aparato a cables de extensión, adaptadores o junto con otro aparato en la misma toma de corriente.

No empalme el cable de alimentación. No corte ni extraiga en ningún caso la tercera clavija de tierra del cable de alimentación.

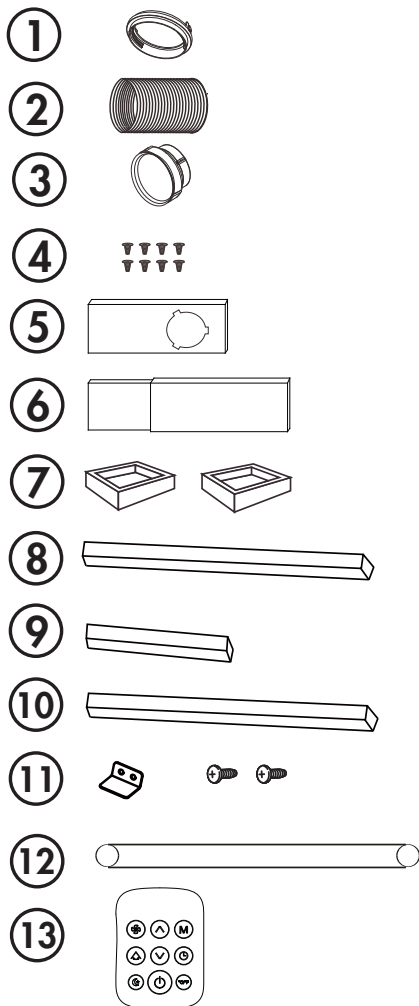
Si el cable de alimentación está dañado, debe ser reemplazado por el fabricante, su agente de servicio o persona calificada similar para evitar riesgos.

¡GUARDA ESTAS INSTRUCCIONES!

INSTRUCCIONES DE INSTALACIÓN

ACCESORIOS

1. Adaptador de salida de aire
2. Manguera de escape
3. Adaptador deslizante de ventana
4. Pernos
5. Ventana deslizante A
6. Ventana deslizante B y C
7. Cerraduras de la rueda
8. Foam seal A (adhesivo)
9. Junta de espuma B (adhesivo)
10. Foam seal C (no adhesivo)
11. Soporte de seguridad y 2 tornillos
12. Manguera de drenaje
13. Control remoto

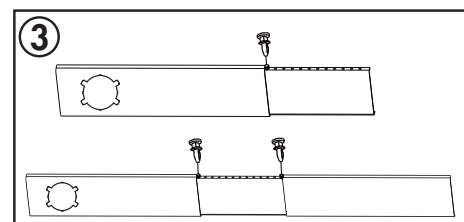
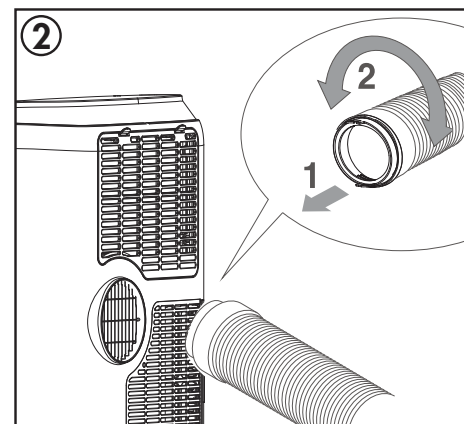
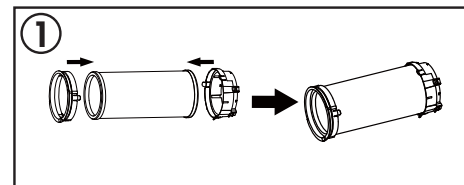


HERRAMIENTAS REQUERIDAS

1. Destornillador Phillips de tamaño mediano
2. Cinta métrica o regla
3. Cuchillo o tijeras
4. Sierra (en el caso de que los controles deslizantes de la ventana deban cortarse a medida)

MONTAJE DEL KIT DE LA VENTANA

1. Conecte el adaptador de salida de aire y el adaptador deslizante de la ventana en cualquier extremo de la manguera de escape.
2. Inserte el adaptador de salida de aire en la ranura inferior de la salida de aire en la parte posterior del aparato. Asegúrese de que el gancho del adaptador esté alineado con el orificio de la salida de aire y luego deslice hacia abajo.
3. Mida la abertura de la ventana donde se instalará el kit de la ventana. Ensamble todos los controles deslizantes que sean necesarios para adaptarse a la ventana.
4. Si la longitud de la ventana requiere los tres controles deslizantes, use dos tornillos para fijar los controles deslizantes a la longitud correcta.
5. Si la apertura de la ventana es menor que la longitud mínima de un solo control deslizante, use el control deslizante que tiene el agujero y córtelo a la longitud correcta. Asegúrese de no cortar el extremo que tiene el orificio ya que esto es necesario para conectar el adaptador de la manguera de escape.



INSTRUCCIONES DE INSTALACIÓN

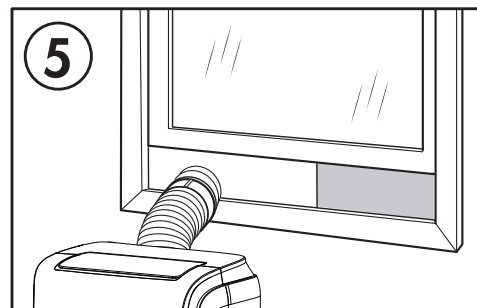
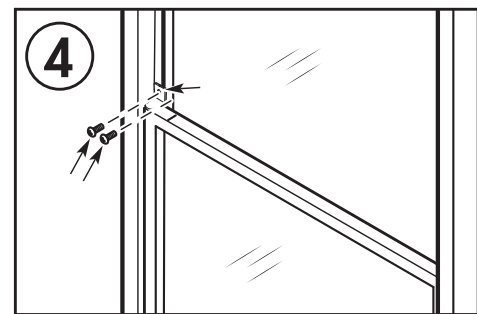
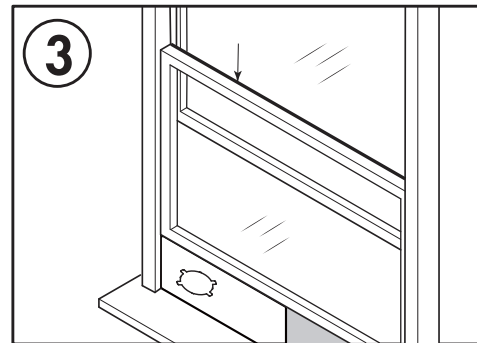
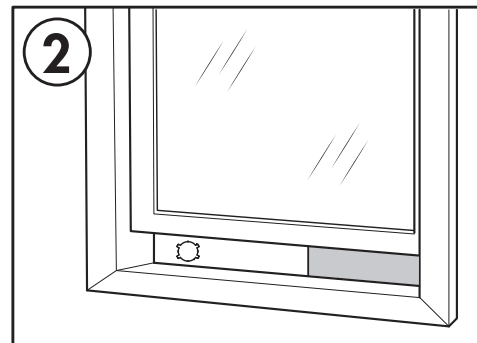
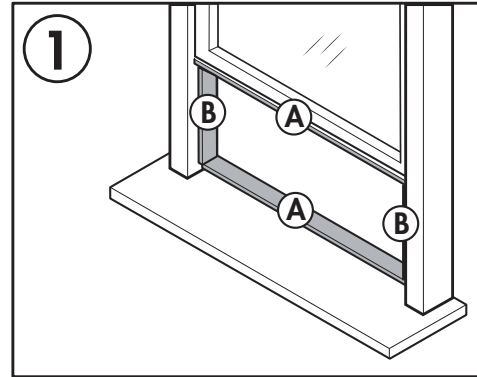
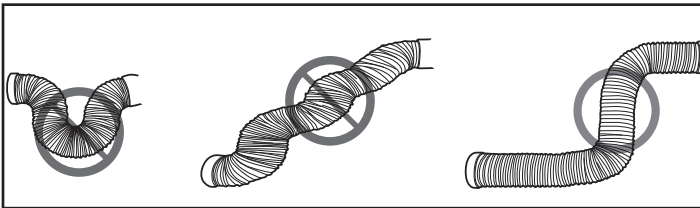
INSTALAR EL KIT DE VENTANA

Existen dos métodos de instalación posibles según el tipo de ventana disponible.

Instalación de ventana colgante

1. Corte los sellos de espuma adhesiva A y B a la longitud correcta para la ventana. Adjúntelos a la hoja y marco de la ventana como se muestra.
2. Inserte el kit deslizante de la ventana ensamblada en la abertura de la ventana.
3. Corte el sello de potro no adhesivo C para que coincida con el ancho de la ventana. Inserte el sello de espuma entre el vidrio y el marco de la ventana para evitar que el aire y los insectos entren en la habitación.
4. Instale el soporte de seguridad en el marco de la ventana con los dos tornillos provistos.
5. Conecte el adaptador deslizante de la ventana al orificio en el kit de control deslizante de la ventana.

Nota: No extienda ni doble la manguera ya que esto impedirá el flujo de aire.

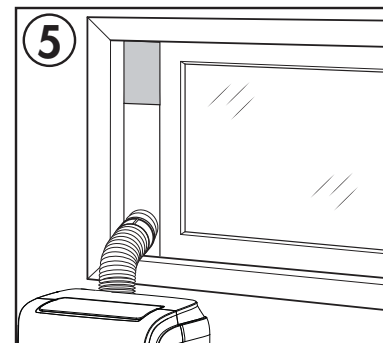
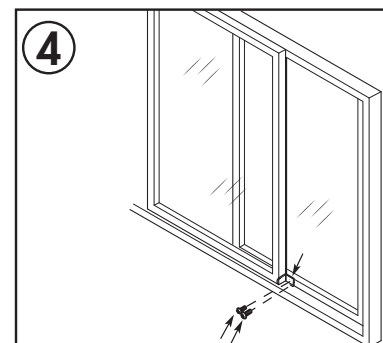
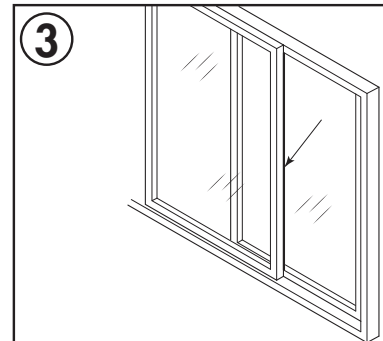
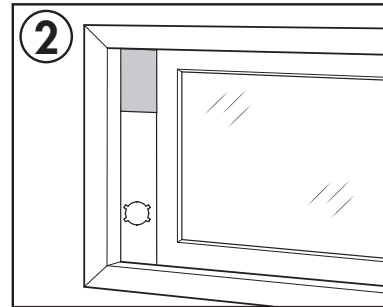
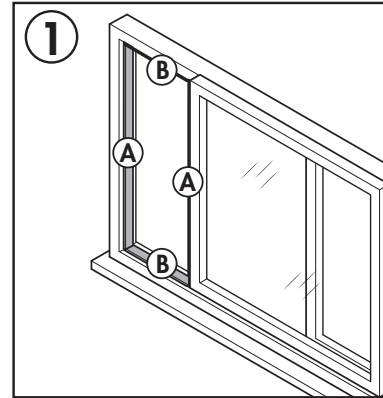
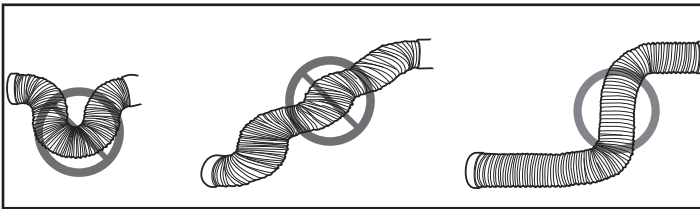


INSTRUCCIONES DE INSTALACIÓN

Instalación de ventana deslizante

1. Corte los sellos de espuma adhesiva A y B a la longitud correcta para la ventana. Adjúntelos a la hoja y marco de la ventana como se muestra.
2. Inserte el kit deslizante de la ventana ensamblada en la abertura de la ventana.
3. Corte el sello de potro no adhesivo C para que coincida con el ancho de la ventana. Inserte el sello de espuma entre el vidrio y el marco de la ventana para evitar que el aire y los insectos entren en la habitación.
4. Instale el soporte de seguridad en el marco de la ventana con los dos tornillos provistos.
5. Conecte el adaptador deslizante de la ventana al orificio en el kit de control deslizante de la ventana.

Nota: No extienda ni doble la manguera ya que esto impedirá el flujo de aire.

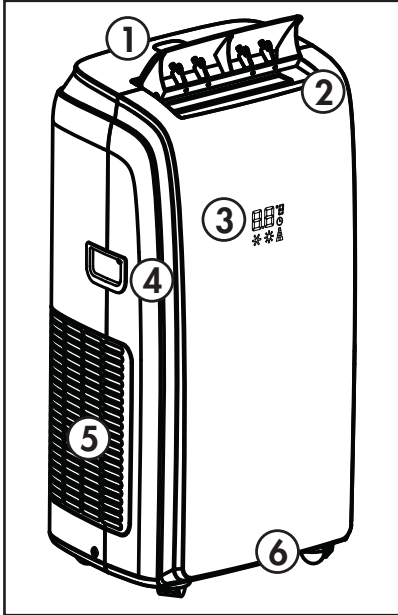


INSTRUCCIONES DE OPERACIÓN

CARACTERÍSTICAS

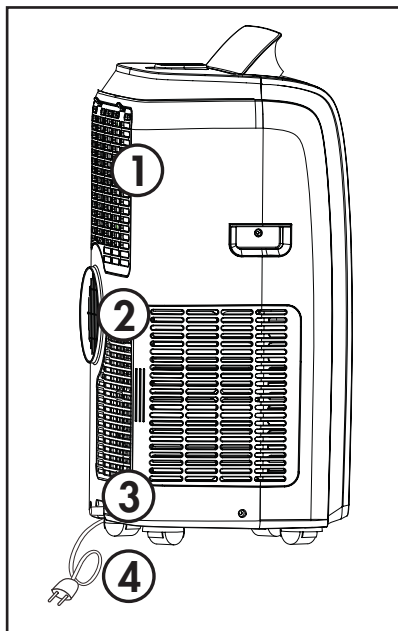
Frente

1. Panel de control
2. Parrilla de salida de aire
3. Pantalla LED
4. Manija (ambos lados)
5. Rejilla de entrada de aire
6. Rodillos



Posterior

1. Rejilla de entrada de aire
2. Salida de aire
3. Desagüe
4. Cable de alimentación



UBICACIÓN

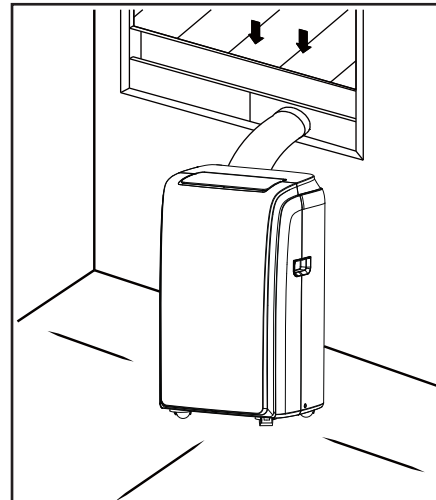
Coloque el acondicionador de aire en un piso liso y nivelado que sea lo suficientemente fuerte para soportarla y todos los accesorios incluidos.

Asegúrese de que el aparato esté nivelado para minimizar el ruido y las vibraciones.

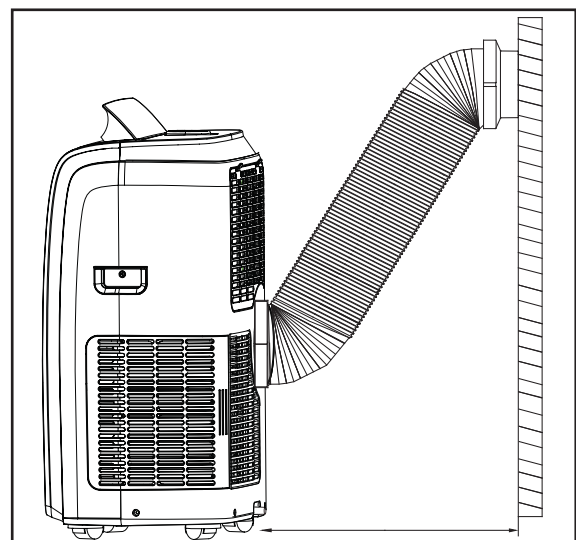
El electrodoméstico debe instalarse cerca de un receptáculo puesto a tierra y debe tener acceso a la salida de drenaje de desbordamiento en la parte posterior del electrodoméstico.

No cubra las entradas o salidas de aire ni el receptor de control remoto en el panel de control.

El aparato requiere 30 cm (12 pulgadas) de espacio libre en el frente y los costados.



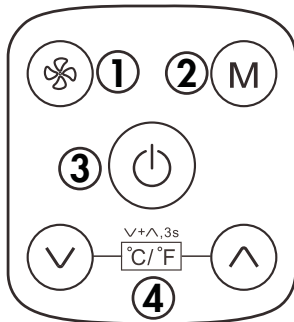
El aparato requiere al menos 50 cm (20 pulgadas) de espacio libre en la parte posterior.



INSTRUCCIONES DE OPERACIÓN

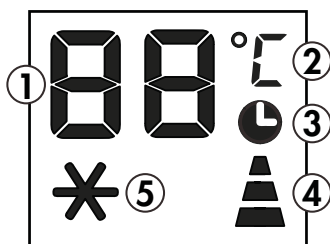
PANEL DE CONTROL

1. **Botón de ventilador:** Presione para seleccionar la velocidad del ventilador; bajo medio alto.
2. **Botón de modo:** Presione para seleccionar el modo deseado; fresco, seco, ventilador.
3. **Botón de encendido:** Presione para encender o apagar la unidad.
4. **Botones arriba y abajo:**
 - Se usa para ajustar la temperatura establecida en incrementos de 1°.
 - Mantenga presionados los botones hacia arriba y hacia abajo durante 3 segundos para cambiar la visualización de temperatura de °C a °F.



PANTALLA LED

1. **Pantalla para la temperatura y el temporizador:** Shows the set temperature of the timer setting.
2. **Escala de temperatura:** Indica si la escala de temperatura está ajustada a °C o °F.
3. **Indicador del temporizador:** Se ilumina si el temporizador está activado.
4. **Visualización de la velocidad del ventilador:** Muestra la configuración actual de la velocidad del ventilador; bajo, med, alto.
5. **Pantalla de modo:** Muestra el modo actual; fresco, seco, ventilador.



CONTROL REMOTO

1. **Botón de ventilador:** Presione para seleccionar la velocidad del ventilador; bajo medio alto.
2. **Botón de oscilación:** Presione para iniciar la función de oscilación automática. Cuando la oscilación automática está activada, presione de nuevo para detener la persiana en el ángulo deseado.
3. **Botón de dormir:** Pulse para iniciar la función del dormir.
4. **Botones arriba y abajo:** Se usa para configurar la temperatura y el temporizador.
5. **Botón de encendido:** Presione para encender o apagar la unidad.
6. **Botón de modo:** Presione para seleccionar el modo deseado; fresco, seco, ventilador.
7. **Botón de temporizador:** Presione para configurar la función del temporizador.
8. **Botón °C/°F:** Presione para cambiar la visualización de temperatura de °C a °F.



INSTRUCCIONES DE OPERACIÓN

Modos de funcionamiento

• Modo frío (Cool)

Elija el modo frío para configurar la función de enfriamiento. Use las flechas hacia arriba y hacia abajo para elegir la temperatura deseada. Presione el botón del ventilador para ajustar la velocidad del ventilador.

La temperatura puede ajustarse dentro de un rango de 18 - 32°C (64 - 90°F).

La manguera de escape debe instalarse durante el modo frío para garantizar los mejores resultados.

• Modo seco (Dry)

Elija el modo seco para eliminar el exceso de humedad del aire durante los períodos de alta humedad. Toda el agua extraída del aire se acumulará dentro del aparato y se evaporará debido al calor del compresor. En condiciones especialmente húmedas, puede ser necesario vaciar la bandeja de drenaje cuando esté llena. Presione el botón del ventilador para ajustar la velocidad del ventilador.

La manguera de escape debe instalarse durante el modo seco para garantizar los mejores resultados.

• Modo de ventilador (Fan)

Elija el modo de ventilador para ejecutar el ventilador interno sin activar la función de enfriamiento. Presione el botón del ventilador repetidamente para elegir la velocidad del ventilador, baja, med, alta.

• Modo calor (Heat)

Elija el modo de calor para establecer la función de calentamiento. Use las flechas hacia arriba y hacia abajo para elegir la temperatura deseada. Presione el botón del ventilador para ajustar la velocidad del ventilador.

La temperatura puede ajustarse dentro de un rango de 13 - 27°C (55 - 81°F).

Función del temporizador

Para configurar el temporizador de apagado:

1. Asegúrese de que el electrodoméstico esté encendido.
2. Presione el botón del temporizador, el tiempo en la pantalla parpadeará.
3. Presione el botón del temporizador para seleccionar la cantidad deseada de horas antes de que la unidad se apague.

Para configurar el temporizador de encendido:

1. Asegúrese de que el electrodoméstico esté apagado.
2. Presione el botón del temporizador, el tiempo en la pantalla parpadeará.
3. Presione el botón del temporizador para seleccionar la cantidad deseada de horas antes de que la unidad se encienda.

Notas:

- La pantalla volverá a mostrar la configuración de temperatura si el dispositivo no recibe una señal dentro de un período de 5 segundos durante la programación.
- Encender o apagar el aparato en cualquier momento o ajustar la configuración del temporizador a 0.0 horas cancelará la configuración del temporizador.
- El temporizador se puede configurar entre 1 y 24 horas.

Función de dormir

La función de dormir se puede utilizar para conservar la energía durante las horas de dormir.

Cuando se selecciona, la temperatura ajustada aumentará en 2 grados durante un período de 2 horas. El aparato mantendrá la nueva temperatura ajustada durante 7 horas antes de volver automáticamente al funcionamiento normal.

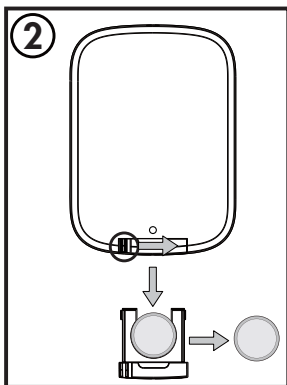
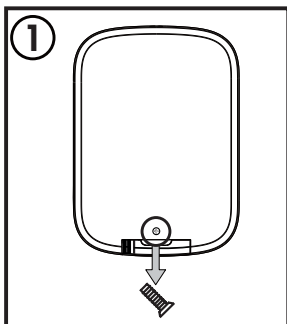
La función sleep se puede cancelar en cualquier momento pulsando el botón dormir.

INSTRUCCIONES DE OPERACIÓN

REEMPLAZO DE LAS BATERÍAS DEL CONTROL REMOTO

El control remoto llegará con una batería de monedas CR2025 preinstalada. Es posible que sea necesario quitar una tira aislante plástica transparente antes de usar por primera vez el control remoto.

1. Siga los pasos a continuación para reemplazar la batería.
2. Use un destornillador para quitar el tornillo que asegura la tapa de la batería. Empuje el gancho de la tapa de la batería hacia la derecha para liberarlo del control remoto. Saca la tapa de la batería.



IMPORTANTE

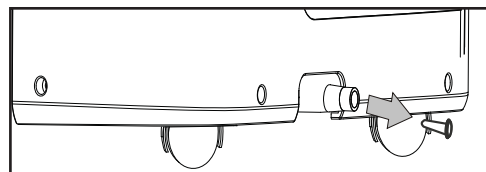
No deseche las baterías como desechos municipales no clasificados. Consulte las leyes locales para la eliminación adecuada de las baterías.

EL DRENAJE DEL AGUA

Cuando la bandeja de drenaje interna se llena, el aparato emitirá un pitido 8 veces y la pantalla digital mostrará el código de error P1. La acción de aire acondicionado o deshumidificación se detendrá pero el ventilador puede continuar funcionando.

Siga los pasos a continuación para drenar el aparato.

1. Apague el aparato y desenchúfelo de la fuente de alimentación.
2. Mueva cuidadosamente el aparato a un lugar donde pueda drenar el agua.
3. Retire el tapón de drenaje y permita que el agua se drene completamente.
4. Vuelva a colocar el tapón de drenaje inferior, presionando firmemente para asegurar un ajuste perfecto y sin fugas.
5. El símbolo de error P1 desaparecerá y el dispositivo volverá a funcionar normalmente una vez que se restablezca la energía.



Notas:

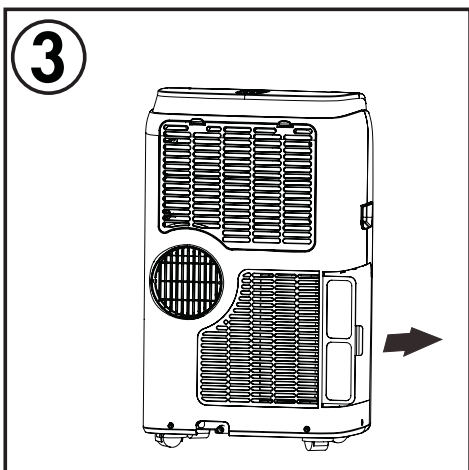
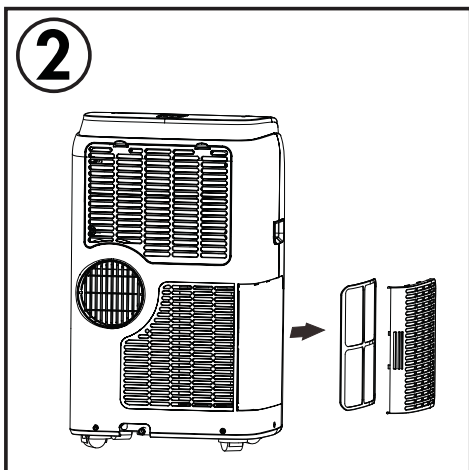
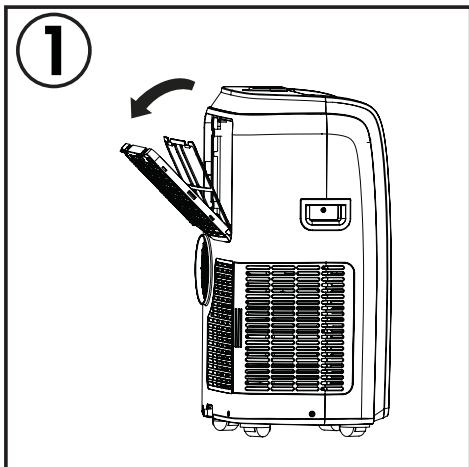
- El acondicionador de aire no responderá si cortinas, puertas u otros materiales bloquean la señal del control remoto al artefacto.
- Si el receptor de señal infrarroja de la unidad interior está expuesto a la luz solar directa, es posible que el acondicionador de aire no funcione correctamente. Use cortinas para evitar que la luz del sol caiga sobre el receptor.
- No permita que el control remoto se moje.
- No exponga el control remoto a la luz solar directa o al calor.
- No deje la batería en el control remoto si no la va a usar durante más de 2 meses.

CUIDADO Y MANTENIMIENTO

FILTROS DE AIRE

Hay tres filtros de aire en este aparato. Los filtros de aire deben limpiarse cada dos semanas para garantizar un rendimiento eficiente.

En hogares con animales, los filtros de aire pueden necesitar una limpieza más frecuente y es posible que las parrillas externas deban ser limpiadas para evitar el flujo de aire bloqueado.



LIMPIEZA

- Desenchufe el aparato antes de limpiarlo o repararlo.
- Limpie el gabinete con un paño húmedo tibio y detergente neutro. Seque el gabinete con un paño seco sin pelusa.
- No use gasolina, diluyente de pintura ni otros productos químicos para limpiar el aparato.
- No lave el aparato directamente debajo de un grifo ni con una manguera. Puede causar daño eléctrico.

ALMACENAMIENTO A LARGO PLAZO

1. Drene toda el agua del aparato.
2. Haga funcionar el aparato en modo ventilador durante medio día en una sala cálida para secar el interior del aparato y evitar la formación de moho.
3. Apague el aparato y desenchúfelo, envuelva el cable y agréguelo con cinta adhesiva.
4. Retire la batería del control remoto.
5. Limpie los filtros de aire y vuelva a instalarlos.
6. Guarde el aparato en un lugar fresco y oscuro. La exposición prolongada a la luz solar directa o al calor extremo puede acortar la vida útil del artefacto.

DISPOSICIÓN

Este electrodoméstico no debe tratarse como un desperdicio doméstico común. Verifique el cumplimiento normativo local con respecto a la eliminación aprobada y segura de este electrodoméstico.

CÓDIGOS DE ERROR

- E1 - error del sensor de temperatura ambiente
- E2 - error del sensor de temperatura del evaporador
- E3 - error del sensor de temperatura del condensador
- E4 - error de comunicación del panel de visualización
- E7 - mal funcionamiento del cruce por cero
- P1 - la bandeja de agua está llena - conecte la manguera de drenaje y drene el exceso de agua

SOLUCIÓN DE PROBLEMAS

Danby cuidado del consumidor: 1-800-263-2629

Horas de operación:

Lunes a Jueves 8:30 am - 6:00 pm Hora estándar del este

Viernes 8:30 am - 4:00 pm Hora estándar del este

La información de este manual está sujeta a cambios sin previo aviso.

PROBLEMA	CAUSA POSIBLE
El aparato no funcionará	<ul style="list-style-type: none">• El enchufe no está completamente insertado en la toma de corriente de la pared• Fusible fundido o disyuntor
Enfriamiento insuficiente	<ul style="list-style-type: none">• Los filtros de aire están sucios• Flujo de aire bloqueado• El tamaño del dispositivo es demasiado pequeño para la aplicación
Ruido	<ul style="list-style-type: none">• El suelo no está nivelado• Los filtros de aire están sucios• Sonidos de gorgjeo son normales; este es el refrigerante que se mueve dentro del aparato
Olores	<ul style="list-style-type: none">• Formación del molde en superficies mojadas internas• Coloque un comprimido de algicida en el molde de la base; empuje la tableta a través de la parrilla en la parte posterior del aparato

GARANTÍA LIMITADA "A DOMICILIO"

Este producto de calidad está garantizado contra defectos de fabricación, incluyendo partes y mano de obra, siempre y cuando la unidad se utilice bajo las condiciones normales de funcionamiento para las que fue diseñado. Esta garantía está solamente disponible para la persona que haya comprado originalmente esta unidad directamente de Danby Products Limited (Canada) o Danby Products Inc. (U.S.A.) (en adelante "Danby") o uno de sus distribuidores autorizados, y no es transferible.

CONDICIONES DE LA GARANTÍA

Las piezas plásticas, se autorizan por treinta (30) días solamente a partir de la fecha de la compra, sin las extensiones proporcionadas.

Primeros 12 meses Durante los primeros **doce (12) meses**, cualquier parte en buen estado de este producto que resulte defectuosa, incluyendo cualquier sistema sellado, será reparado o reemplazado, a opción del fabricante, sin cargo para el comprador ORIGINAL.

Para obtener servicio Comuníquese con el distribuidor donde haya comprado la unidad, o llame al Taller de Servicio Autorizado más cercano, donde debe ser reparada por un técnico calificado. Si esta unidad es reparada en otro lugar que no sea un Taller de Servicio Autorizado, o si la unidad se utiliza para aplicaciones comerciales, Danby no se hará responsable de ninguna forma y la garantía será anulada.

Límites del servicio técnico a domicilio Danby se reserva el derecho de limitar la cobertura de "Servicio en Domicilio" sujeto a la proximidad de un **Taller de Servicio Autorizado**. Para todo artefacto que requiera servicio fuera del área limitada de "Servicio en Domicilio", el cliente será responsable por transportar dicho artefacto hasta el Taller de Servicio Autorizado más cercano. Si el electrodoméstico está instalado en un lugar que se encuentra a **100 kilómetros (62 millas)** o más del centro de servicios más cercano, se debe llevar la unidad al Centro de servicios Danby autorizado más cercano, ya que dicho servicio sólo puede realizarlo un técnico calificado y certificado por Danby para prestar servicios de garantía.

Los cargos por transporte desde y hacia el lugar en que se efectúe el servicio técnico no están cubiertos por esta garantía y son de responsabilidad del comprador.

Nada dentro de esta garantía implica que Danby será responsable por cualquier daño que hayan sufrido los alimentos u otros contenidos de este aparato, ya sea debido a un defecto del aparato, o su uso, adecuado o inadecuado.

EXCLUSIONES

Salvo lo aquí indicado por Danby, no existen otras garantías, condiciones o representaciones, explícitas o implícitas, concretas o intencionales por parte de Danby o sus distribuidores autorizados y todas las demás garantías, condiciones o representaciones, incluyendo cualquier garantía, condiciones o representaciones bajo cualquier Acta de Venta de Productos o legislación o estatuto similar, quedan de esta forma expresamente excluidas. **Salvo lo aquí indicado, Danby no serán responsables por ningún daño a personas o bienes, incluyendo la propia unidad, sin importar su causa, o de ningún daño indirecto causado por el desperfecto de la unidad, y al comprar esta unidad, el comprador acepta por la presente, indemnizar y proteger a Danby contra cualquier reclamo por daños a personas o bienes causados por la unidad.**

CONDICIONES GENERALES

No se considerará ninguna de estas garantías o seguros cuando el daño o la necesidad de reparación sea el producto de los siguientes casos:

- 1) Falla del suministro eléctrico.
- 2) Daños en tránsito o durante el transporte de la unidad.
- 3) Alimentación incorrecta, como bajo voltaje, instalación eléctrica defectuosa o fusibles inadecuados.
- 4) Accidente, modificación, abuso o uso incorrecto del artefacto, tal como insuficiente ventilación del ambiente o condiciones de operación anormales (temperatura ambiente extremadamente alta o baja).
- 5) Utilización comercial o industrial (v.g., si el electrodoméstico no está instalado en una vivienda particular).
- 6) Incendio, daños por agua, robo, guerra, disturbios, hostilidades, actos de fuerza mayor como huracanes, inundaciones, etc.
- 7) Pedidos de servicio debido a desinformación del usuario.
- 8) Instalación inadecuada (v.g., instalación empotrada de un electrodoméstico diseñado como unidad independiente o uso de un electrodoméstico al aire libre que no esté aprobado para dicho fin, incluyendo pero no limitado a: garajes, patios, porches o en cualquier lugar que no esté bien aislado o controlado por el clima).

Se requerirá una prueba de la fecha de compra para reclamaciones de garantía; Retener las facturas de venta. En el caso de que se requiera servicio de garantía, presente el comprobante de compra a nuestro depósito de servicio autorizado.

Servicio de Garantía
Servicio en Domicilio

Danby Products Limited
PO Box 1778, Guelph, Ontario, Canada N1H 6Z9
Telephone: (519) 837-0920 FAX: (519) 837-0449

1-800-263-2629
04/17

Danby Products Inc.
PO Box 669, Findlay, Ohio, U.S.A. 45840
Telephone: (419) 425-8627 FAX: (419) 425-8629

NOTES / REMARQUES / NOTAS :

Lined area for notes and remarks.



MODEL • MODÈLE • MODELO

DPA120HEAUBDB

DPA140HEAUBDB