

15" Terna™ LED

300230

A Kichler® Decor™ ceiling fan



Includes our new
CoolTouch™ Control System
Looks permanent, but goes wherever you go!
U.S. Patent Pending

Instruction Manual
READ AND SAVE THESE INSTRUCTIONS

KICHLER®



Intertek
3066708

1. SAFETY RULES

1. **CAUTION - RISK OF SHOCK:** Disconnect Power at the main circuit breaker panel or main fusebox before starting and during the installation.
2. **WARNING:** All wiring must be in accordance with the National Electrical Code "ANSI/NFPA 70" and local electrical codes. Electrical installation should be performed by a qualified licensed electrician.
3. **WARNING:** To reduce the risk of electric shock, this fan must be installed with a general-use, isolating wall control/switch.
4. **WARNING:** To reduce the risk of fire or electric shock, do not use this fan with any solid-state speed control. Use only the control provided with the fan.
5. **WARNING:** To reduce the risk of personal injury, use only the two steel screws (and lock washers) provided with the outlet box for mounting to the outlet box. Most outlet boxes commonly used for the support of lighting fixtures are not acceptable for fan support and may need to be replaced, consult a qualified electrician if in doubt.
10. To avoid personal injury or damage to the fan and other items, be cautious when working around or cleaning the fan.
11. Do not use water or detergents when cleaning the fan or fan blades. A dry dust cloth or lightly dampened cloth will be suitable for most cleaning.
12. "After making electrical connections, spliced conductors should be turned upward and pushed carefully up into outlet box. The wires should be spread apart with the grounded conductor and the equipment-grounding conductor on one side of the outlet box and the ungrounded conductor on the other side of the outlet box."
13. Electrical diagrams are reference only. Light kits that are not packed with the fan must be ETL Listed and marked suitable for use with the model fan you are installing. Switches must be ETL General Use Switches. Refer to the Instructions packaged with the light kits and switches for proper assembly.

⚠ WARNING: Chemical Burn Hazard. Keep batteries away from children.

This product contains a lithium button/coin cell battery. If a new or used lithium button/coin cell battery is swallowed or enters the body, it can cause severe internal burns and can lead to death in as little as 2 hours. Always completely secure the battery compartment. If the battery compartment does not close securely, stop using the product, remove the batteries, and keep it away from children. If you think batteries might have been swallowed or placed inside any part of the body, seek immediate medical attention.

a) The cells shall be disposed of properly, including keeping them away from children; and
b) Even used cells may cause injury.

WARNING

To reduce the risk of fire, electric shock, or Personal Injury, mount directly to a structural framing member or to an outlet box marked 'Acceptable for Fan Support of 15.9 kg(35 lbs) or less'. For outlet box mounting, use mounting screws provided with the outlet box.

6. **WARNING:** To reduce the risk of fire, electric shock, or Personal Injury, mount directly to a structural framing member or to an outlet box marked 'Acceptable for Fan Support of 15.9 kg (35 lbs) or less'. For outlet box mounting, use mounting screws provided with the outlet box.
7. The fan must be mounted with a minimum of 7 feet clearance from the trailing edge of the blades to the floor.
8. To operate the reverse function on this fan, press the reverse button while the fan is running. A few seconds later the fan will slow to a stop and then reverse direction.
9. Avoid placing objects in the path of the blades.

WARNING

TO REDUCE THE RISK OF PERSONAL INJURY, DO NOT BEND THE BLADE BRACKETS (ALSO REFERRED TO AS FLANGES) DURING ASSEMBLY OR AFTER INSTALLATION. DO NOT INSERT OBJECTS IN THE PATH OF THE BLADES.

N.W.7.4KGS(16.31 LBS)/G.W.8.3 KGS(18.29 LBS)

SAFETY RULES (continued)

⚠ WARNING

- **INGESTION HAZARD:** This product contains a button cell or coin battery.
- **DEATH** or serious injury can occur if ingested.
- A swallowed button cell or coin battery can cause **Internal Chemical Burns** in as little as **2 hours**.
- **KEEP** new and used batteries **OUT OF REACH of CHILDREN**.
- **Seek immediate medical attention** if a battery is suspected to be swallowed or inserted inside any part of the body.
- Remove and immediately recycle or dispose of used batteries according to local regulations and keep away from children. Do NOT dispose of batteries in household trash or incinerate.
- Even used batteries may cause severe injury or death.
- Call a local poison control center for treatment information.
- Battery Type: CR2032 and Nominal Battery Voltage: 3V.
- Non-rechargeable batteries are not to be recharged.
- Do not force discharge, recharge, disassemble, heat above 40° C or incinerate. Doing so may result in injury due to venting, leakage or explosion resulting in chemical burns.
- Ensure the batteries are installed correctly according to polarity (+ and -).
- Do not mix old and new batteries, different brands or types of batteries, such as alkaline, carbon-zinc, or rechargeable batteries.
- Remove and immediately recycle or dispose of batteries from equipment not used for an extended period of time according to local regulations.
- Always completely secure the battery compartment. If the battery compartment does not close securely, stop using the product, remove the batteries, and keep them away from children.



RÈGLES DE SÉCURITÉ (suite)

⚠ AVERTISSEMENT

- **RISQUE D'INGESTION** : Ce produit contient une pile bouton.
- La **MORT** ou des blessures graves peuvent survenir en cas d'ingestion.
- Une pile bouton avalée peut provoquer des **brûlures chimiques internes** en **2 heures** seulement.
- **GARDER** les piles neuves et usagées **HORS DE LA PORTÉE DES ENFANTS**.
- **Consultez immédiatement un médecin** si vous soupçonnez qu'une pile a été avalée ou insérée dans une partie du corps.
- Retirer et recycler ou jeter immédiatement les piles usagées conformément aux réglementations locales et les garder hors de portée des enfants. **NE PAS** jeter les piles avec les ordures ménagères ni les incinérer.
- Même les piles usagées peuvent provoquer des blessures graves, voire la mort.
- Appeler un centre antipoison local pour obtenir des informations sur le traitement.
- Type de pile : CR2032 et tension nominale de la pile : 3 V.
- Ne pas recharger les piles non rechargeables.
- Ne pas forcer la décharge, la recharge, le démontage, la chaleur au-dessus de 40°C ni l'incinération. Le non-respect de ces consignes peut entraîner des blessures dues à une ventilation, une fuite ou une explosion entraînant des brûlures chimiques.
- S'assurer que les piles sont installées correctement en fonction de la polarité (+ et -).
- Ne pas mélanger des piles anciennes avec des piles neuves, des marques ou des types de piles, tels que des piles alcalines, carbone-zinc ou rechargeables.
- Retirer et recycler ou jeter immédiatement les piles des équipements non utilisés pendant une période prolongée, conformément aux réglementations locales.
- Toujours bien sécuriser le compartiment des piles. Si le compartiment des piles ne se ferme pas correctement, ne plus utiliser le produit, retirer les piles et les garder hors de portée des enfants.



NORMAS DE SEGURIDAD (continuación)

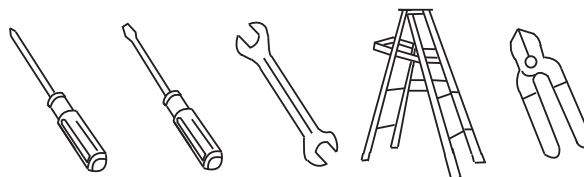
⚠ ADVERTENCIA

- **PELIGRO DE INGESTIÓN:** Este producto contiene una pila tipo botón o tipo moneda.
- En caso de ingestión puede producirse la **MUERTE** o lesiones graves.
- La ingestión de una pila tipo botón o tipo moneda puede provocar **Quemaduras Químicas Internas** en tan sólo **2 horas**.
- **MANTENGA** las pilas nuevas y usadas **FUERA DEL ALCANCE DE LOS NIÑOS**.
- **Acuda inmediatamente a un médico** si sospecha que se ha tragado o introducido una pila en cualquier parte del cuerpo.
- Retire las pilas usadas y recíclelas o deséchelas inmediatamente de acuerdo con la reglamentación local y manténgalas fuera del alcance de los niños. **NO** deseche las pilas en la basura de su casa ni las incinere.
- Incluso las pilas usadas pueden causar lesiones graves o la muerte.
- Llame a un centro de control de intoxicaciones local para obtener información sobre el tratamiento.
- Tipo de pila: CR2032 y Voltaje nominal de la pila: 3V.
- Las pilas no recargables no deben recargarse.
- No fuerce la descarga, recargue, desarme, caliente por encima de 40° C ni incinere. De lo contrario, podrían producirse lesiones debido a venteo, fugas o explosiones que provoquen quemaduras químicas.
- Asegúrese de que las pilas estén instaladas correctamente según la polaridad (+ y -).
- No mezcle pilas nuevas y usadas, ni pilas de marcas o tipos diferentes, como pilas alcalinas, de carbono-zinc o recargables.
- Retire e inmediatamente recicle o deseche las pilas de los equipos que no haya utilizado durante un período prolongado de tiempo de acuerdo con las regulaciones locales.
- Asegure siempre completamente el compartimento de las pilas. Si el compartimento de las pilas no cierra bien, deje de utilizar el producto, retire las pilas y manténgalas fuera del alcance de los niños.



2. TOOLS AND MATERIALS REQUIRED

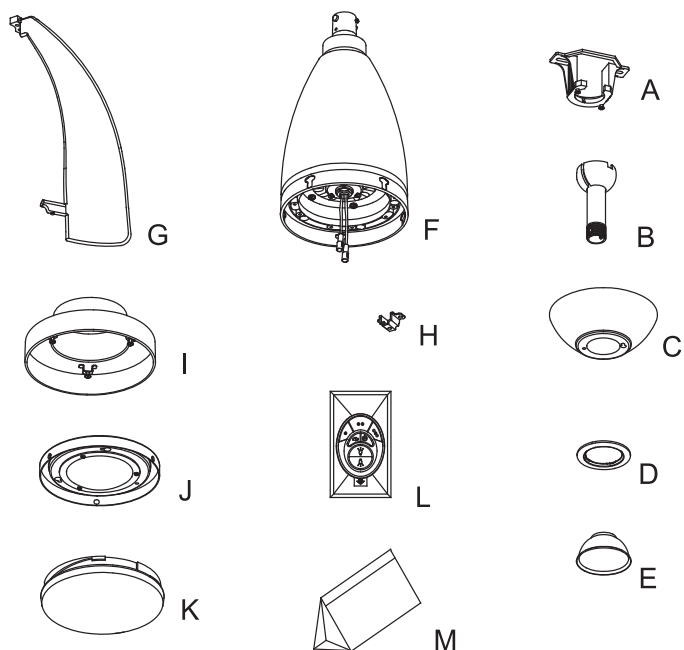
- Phillips screwdriver
- Blade screwdriver
- 11 mm wrench
- Step ladder
- Wire cutters



3. PACKAGE CONTENTS

Unpack your fan and check the contents .
You should have the following items:

- A. Mounting bracket
- B. Ball / downrod assembly (1)
- C. Canopy
- D. Canopy Hole Cover
- E. Coupling cover
- F. Motor Body
- G. Blades (5)
- H. Blade Arms (5)
- I. Adapter Plate
- J. LED Assembly
- K. Glass Shade
- L. Cool Touch™ Control System
- M. Package hardware
 - 1) Mounting hardware :
 - wire connectors (3)
 - 2) Blade attachment hardware :
 - Flat head screws (10),
 - truss head screws (10)
 - 3) Safety cable hardware :
 - Wood screw (1) , spring washer (1),
 - flat washer (1)



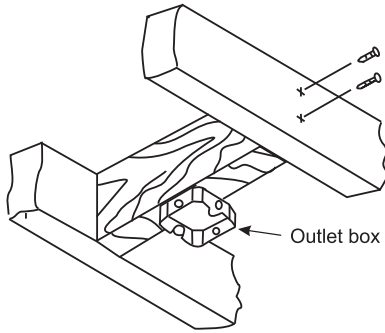


Fig. 1

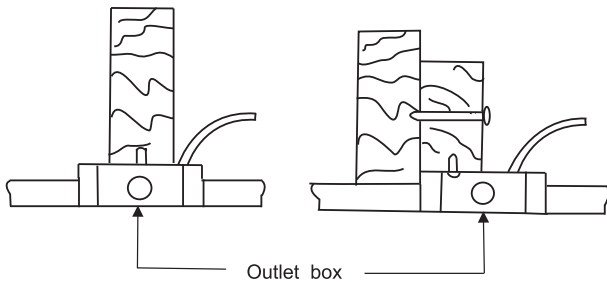


Fig. 2

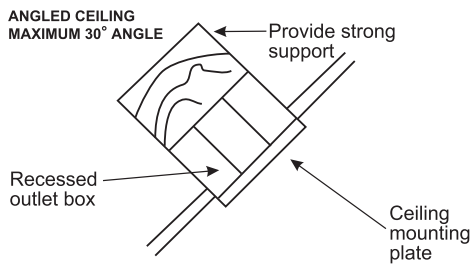


Fig. 3

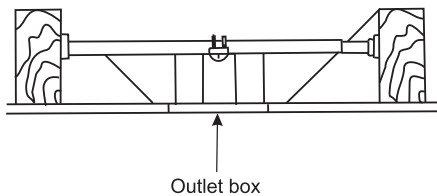


Fig. 4

4. MOUNTING OPTIONS

If there isn't an existing ETL listed mounting box, then read the following instructions. Disconnect the power by removing fuses or turning off circuit breakers.

Secure the outlet box directly to the building structure. Use appropriate fasteners and building materials. The outlet box and its support must be able to fully support the moving weight of the fan (at least 50 lbs). Do not use plastic outlet boxes.

Figures 1, 2 and 3 are examples of different ways to mount the outlet box.

NOTE: If you are installing the ceiling fan on a sloped (vaulted) ceiling, you may need a longer downrod to maintain proper clearance between the tip of the blade and the ceiling. A minimum clearance of 12" is suggested for optimal operation.

NOTE: Depending on the location you have selected for installation, you may need to purchase and install a "Joist Hanger" for the support of the outlet box. Make sure the joist hanger you purchase has been designed for use with ceiling fans. (Fig. 4)

5. ASSEMBLE YOUR CEILING FAN

Step 1. Remove the hanger ball from downrod assembly by loosening set screws, removing the cross pin, and sliding ball off the rod. (Fig. 5)

Step 2. Remove the fan motor and housing assembly from the protective plastic bag and take the lower styrofoam packing pad out of the carton. Place the styrofoam pad on the floor. Loosen the two set screws and remove the clip and cross pin from the top coupling of the motor body.

Carefully feed the fan wires up through the downrod. Thread the downrod onto the motor coupling until the cross pin holes are aligned. Next, replace the cross pin and clip, and tighten both set screws. (Fig. 6)

Step 3. Remove the cardboard from the motor body. (Fig. 7)

6. ASSEMBLY THE BLADE

Step 1. Place the fan assembly into the styrofoam pad. (The styrofoam pad serves as a holder for the fan during the first stages of assembly). Insert the blade into one of the slots on the flywheel, as shown. Attach the top of blade to the ring with two flat head blade screws provided in hardware bag. Do not tighten screws. (Fig. 8)

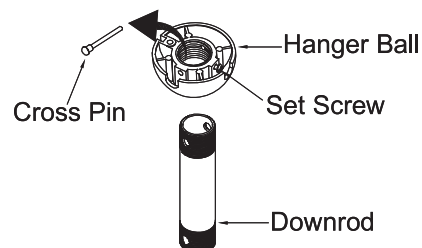


Fig. 5

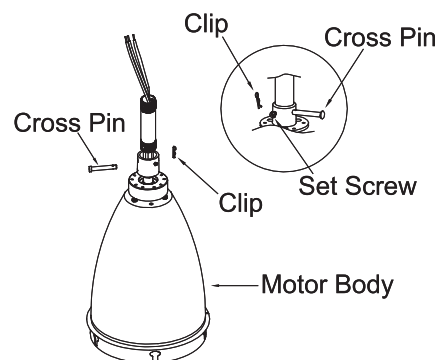


Fig. 6

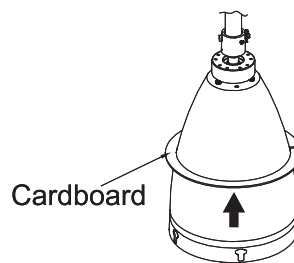


Fig. 7

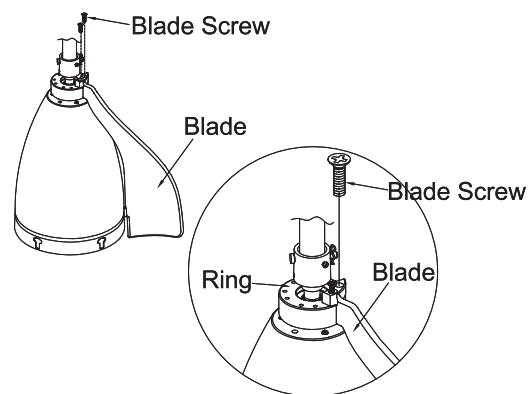


Fig. 8

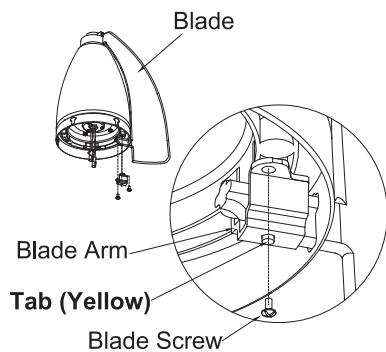


Fig. 9

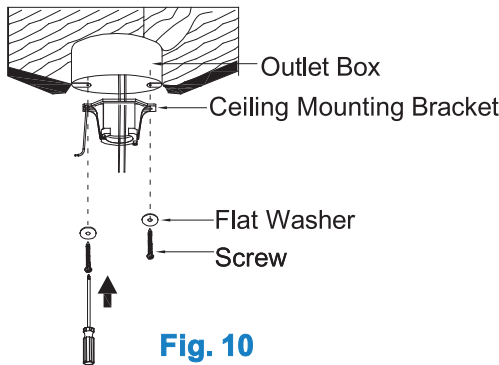


Fig. 10

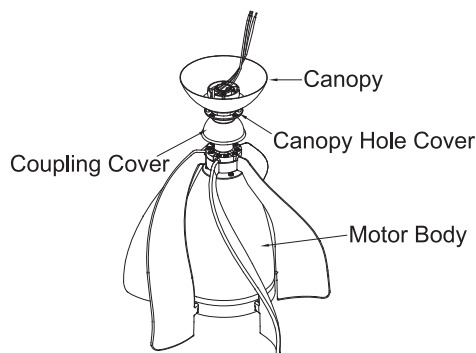


Fig. 11

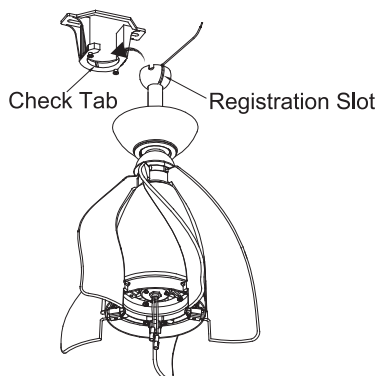


Fig. 12

Step 2. Carefully turn over the motor body with the bottom of motor facing up. Attach the blade arm to the flywheel and let the tab on the blade leg pass through the hole on the blade arm, as shown (Fig. 9). **Make sure yellow tab is visible through hole and metal bracket.** Align the two mounting holes on both side of blade arm with the holes on the flywheel and tighten them with truss head blade screws provided. Finally, tighten the two flat head blade screws in the ring. Repeat this procedure for the remaining Four (4) blades. (Fig. 9)

7. HANGING YOUR CEILING FAN

REMEMBER to turn off the power before you begin installation. This is necessary for your safety and also the proper programming of the control system.

To properly install your ceiling fan, follow the steps below.

Step 1. Before attaching fan to outlet box (not included), ensure the outlet box is securely fastened to at least two points to a structural ceiling member (a loose box will cause the fan to wobble). Pass the 120 volt supply wires from the ceiling outlet box through the center of the ceiling mounting bracket. Install mounting bracket to outlet box in ceiling using the screws and washers included with the outlet box (Fig. 10)

Step 2. Slip the coupling cover, canopy hole cover and canopy onto the downrod. Carefully reinstall the hanger ball onto the downrod . Make sure the cross pin is in the correct position and the set screws are tight and the wires are not twisted. (Fig. 11)

Step 3. Now lift the motor body into position and place the hanger ball into the hanger bracket. Rotate until the "Check Tab" has dropped into the "Registration Slot" and seats firmly. (Fig. 12) The entire motor body should not rotate if this is done correctly.

8 . INSTALLATION OF SAFETY SUPPORT (required for Canadian installation ONLY)

A safety support cable is provided to help prevent the ceiling fan from falling, please install it as follows.

Step 1. Drive a wood screw and washers into the side of the brace that holds the outlet box. Leave 3mm (1/8") of space between the support brace and the washer. (Fig. 13)

Step2. Insert the safety cable through the mounting bracket and one of the holes in the outlet box into the ceiling. Adjust the length of the safety cable to reach the screw and washers by pulling the extra cable through the cable clamp until the overall length is correct, put the end of the cable back through the cable clamp, forming a loop at the end of the cable. Tighten the cable clamp securely. Now, put the loop in the end of the safety cable over the wood screw and under the washer. Tighten the wood screw securely. (Fig. 14)

NOTE: Although the safety support cable is required for Canadian installations only. It's a good idea to make the attachment with any installation.

9. ELECTRICAL CONNECTIONS

WARNING: To avoid possible electrical shock, be sure you have turned off the power at the main circuit panel before wiring.

Follow the steps below to connect the fan to your household wiring. Use the wire connectors supplied with your fan. Secure the connector with electrical tape. Make sure there are no loose wire stands or connections.

WARNING: If your house wires are different colors than referenced in this manual, stop immediately. A professional electrician is recommended to determine proper wiring.

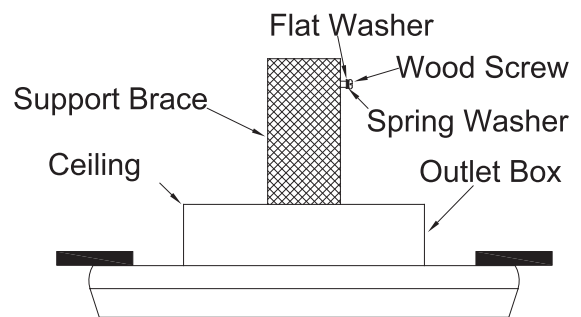


Fig. 13

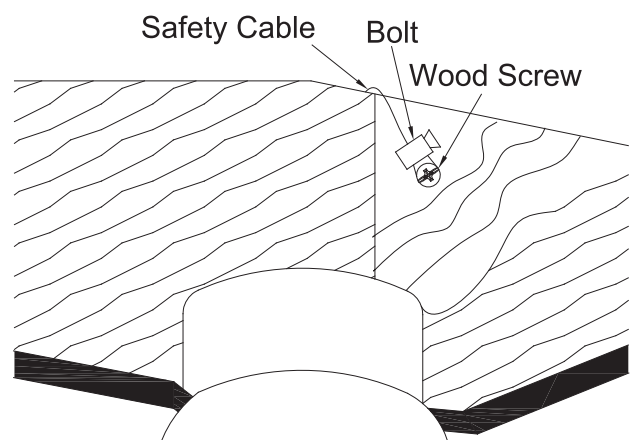


Fig. 14

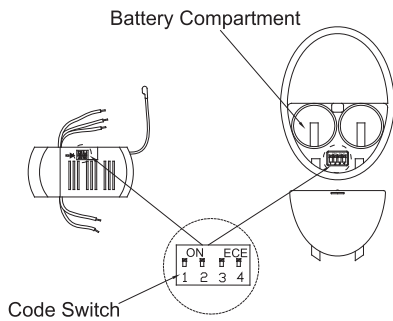


Fig. 15

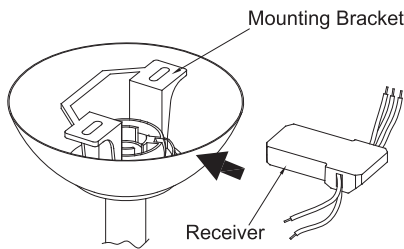


Fig. 16

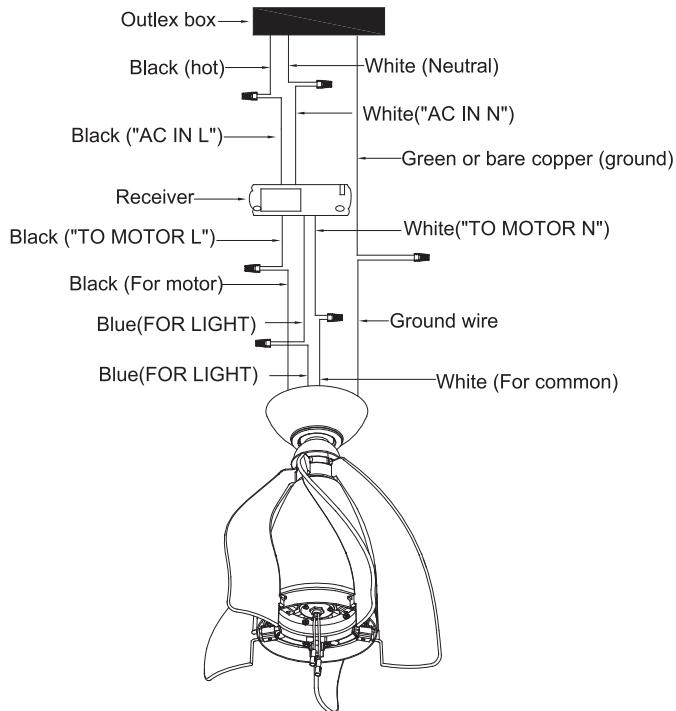


Fig. 17

NOTE: The CoolTouch™ Control System is equipped with 16 code combinations to prevent possible interference from or to other remote units. The frequency switches on your receiver and transmitter have been preset at the factory. Remove the transmitter battery cover and make sure the switches are set to the same position. This must be done so that your fan will communicate properly. If you are using more than one fan in the same area and want to control them separately, change the fan's dip switch settings in the transmitter and remote to a new pattern.

NOTE: If not using for long periods of time, remove battery to prevent damage to transmitter. Store the remote away from excessive heat or humidity. (Fig. 15)

Step 1. Insert the receiver into the mounting bracket, and keep flat in opposition of ceiling. (Fig. 16)

Step 2. Motor to Receiver Electrical Connections: Connect the BLACK wire from the fan to BLACK wire marked "TO MOTOR L" from the receiver. Connect the WHITE wire from the fan to the WHITE wire marked "TO MOTOR N" from the receiver. Connect the BLUE wire from the fan to the BLUE wire marked "FOR LIGHT" from the receiver. Secure all the wire connections with the plastic wire nuts provided. (Fig. 17)

Step 3. Remote Receiver to Outlet Box Electrical Connections: Connect the BLACK (hot) wire from the ceiling to the BLACK wire marked "AC in L" from the receiver. Connect the WHITE (neutral) wire from the ceiling to the WHITE wire marked " AC in N" from the Receiver. Secure the wire connections with the plastic wire connectors provided. (Fig. 17)

Step 4. If your outlet box has a ground wire (green or bare copper) connect it to the fan ground wires : otherwise connect the hanging bracket ground wire to the mounting bracket. Secure the wire connection with a plastic nut provided. After connecting the wires, spread them apart so that the green and white wires are on one side of the outlet box and black and blue wires are on the other side. (Fig. 17)

NOTE: Carefully tuck the wire connections up into the outlet box.

NOTE: Fan must be installed at a maximum distance of 30 feet from the transmitting unit for proper signal transmission between the transmitting unit and the fan's receiving unit.

10 . FINISHING THE INSTALLATION

Step 1. Remove one of the two shoulder screws in the mounting bracket. Loosen the second shoulder screw without fully removing it. (Fig. 18)

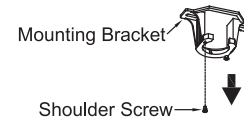


Fig. 18

Step 2. Assemble canopy by rotating key slot in canopy over shoulder screw in mounting bracket. Tighten shoulder screw. Fully assemble and tighten second shoulder screw that was previously removed. (Fig. 19)

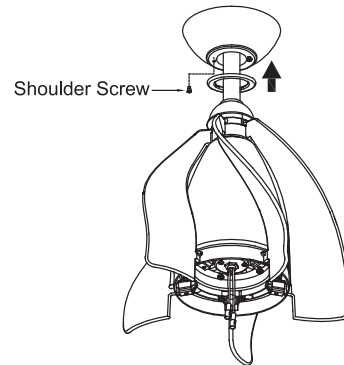


Fig. 19

Step 3. Securely attach and tighten the canopy hole cover over the shoulder screws in the mounting bracket utilizing the keyslot twist-lock feature. (Fig. 20)

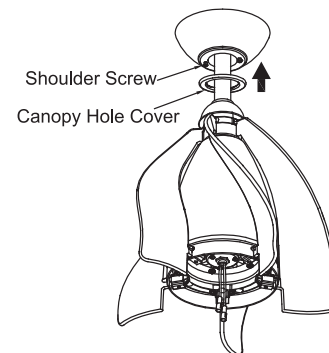


Fig. 20

11 . INSTALLING THE ADAPTER PLATE

Step 1. Remove one of the screws preinstalled on mounting plate and loosen the other two (do not remove). Place the two slot holes on the adapter plate over the 2 screws previously loosened from the mounting plate. Rotate the adapter plate until it locks in place at the narrow end of the key holes. Securely by tightening the 2 screws previously loosened and the one previously removed. (Fig. 21)

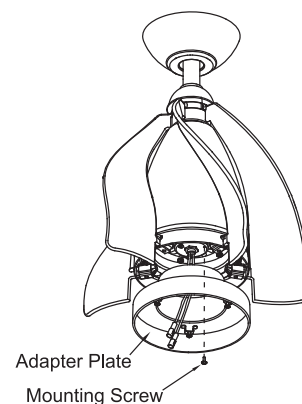


Fig. 21

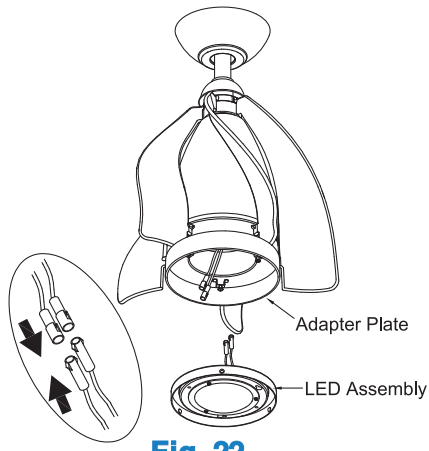


Fig. 22

12. INSTALLING THE LED Assembly

NOTE: Before continuing installation, confirm that the power is still turned off at the main circuit breaker or by removing the correct fuse. Turning the power off using a wall switch is not sufficient to prevent electrical shock.

Step 1. Remove 1 of the 3 screws from the adapter plate and loosen the other 2 screws (do not remove). (Fig. 22)

Step 2. Hold the LED assembly close to the adapter plate and connect the WHITE wires from the adapter plate and fan by pushing the connectors together. Follow the same procedure with the BLACK wires. (Fig. 22)

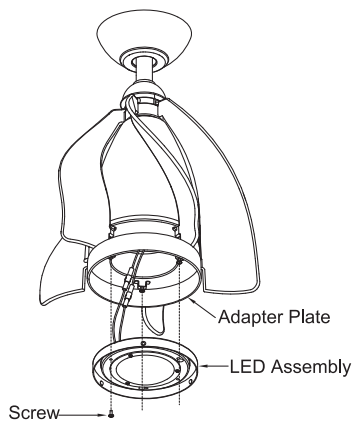


Fig. 23

Step 3. Tuck the connections neatly into the LED assembly. Align the key holes on the LED assembly with the 2 screws on the adapter plate. Turn the LED assembly until it locks in place at the narrow end of the key holes. Securely by tighten all three screws. (Fig. 23)

13. INSTALLING THE GLASS SHADE

Step 1. Assemble the glass shade to the light kit by twisting in a clockwise direction. Do not overtighten. (Fig. 24)

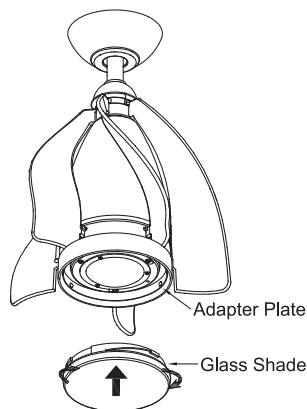


Fig. 24

14. INSTALLING THE COOLTOUCH™ CONTROL SYSTEM WALL PLATE

All wiring must be in accordance with the National Electrical Code and local electrical codes. Electrical installation should be performed by a qualified licensed electrician.

Select a location to install your CoolTouch™ Control System Transmitter. You can replace an existing wall switch, or install the transmitter on ANY flat surface.

Note: SWITCH INSTALLATION MUST COMPLY WITH ALL LOCAL AND NATIONAL ELECTRIC CODE .

Option 1: Install the control system using an existing wall switch outlet box. Make sure the electrical power is **TURNED OFF** at the main panel before continuing.

Step 1: Remove the existing wall plate and the old switch from the wall outlet box. Wire nut the **BLACK** leads (hot) together and push back inside the outlet box. (Fig. 25)

Step 2: Install the metal plate and CoolTouch™ wall plate to the existing wall outlet box with 4 screws provided. Then place the two plastic plugs into the wall plate. (Fig. 26)

Option 2: Install the control system on ANY flat surface.

Select the desired location and use the CoolTouch™ wall plate to make the location for the mounting holes. Plastic wall anchors and screws are provided to this type of installation. After installing the wall anchors, attach the CoolTouch™ wall plate with the mounting screws and then insert the plastic plugs to finish the installation.

15. INSTALLING THE TRANSMITTER

Step 1: To place the transmitter in the wall plate , put the bottom end in first and then press the top into the wall plate. The transmitter is now held in the wall plate and will function from here . (Fig. 27)

Step 2: To remove the transmitter from the wall plate. Push the release button and the transmitter will fall into your hand.

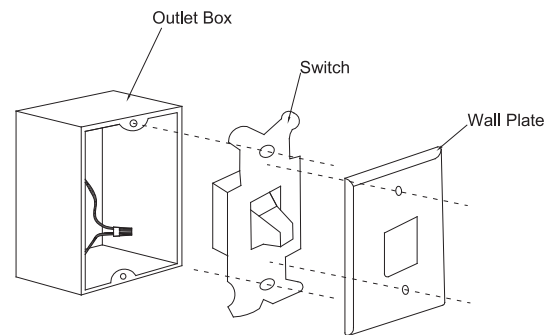


Fig. 25

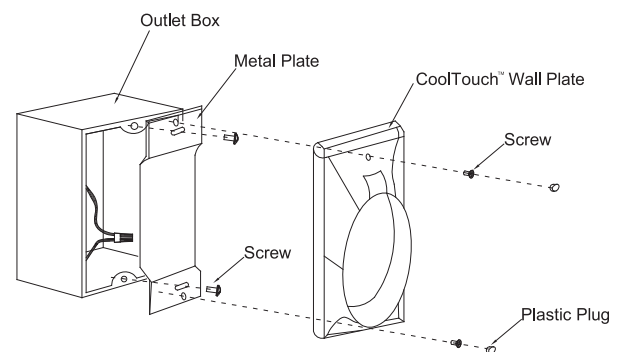


Fig. 26

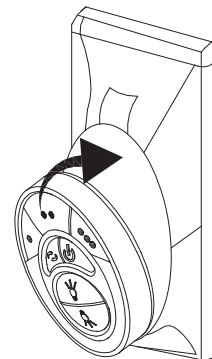


Fig. 27

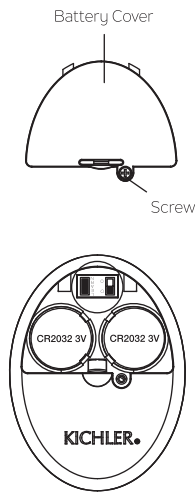


Fig. 28

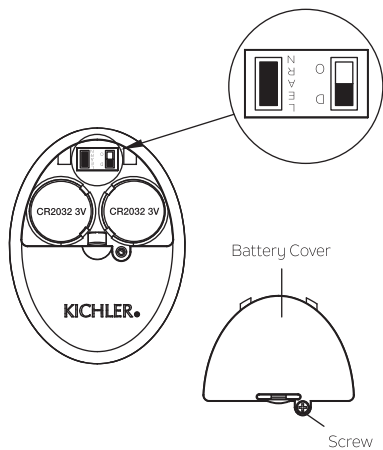


Fig. 29

16. CONTROL SYSTEM SET-UP

NOTE: Make sure the power is completely disconnected before you begin this procedure.

Read all of these steps before proceeding. Each step must be followed exactly to properly program the control system.

! WARNING: Chemical Burn Hazard. Keep batteries away from children.

Step 1. Install 2,3 volt # 2032 battery included with the CoolTouch™ Control system and make sure they are seated correctly in each recess with the Positive + Sign facing up. Replace the battery cover and tighten with screwdriver . (Fig. 28)

Step 2. Test the transmitter by pushing and releasing ANY button. A Blue Light should illuminate, if not, check to make sure the batteries are inserted and seated correctly. (Fig. 28)

NOTE: To prevent damage to transmitter , remove the batteries if not used for long periods of time (months).

Step 3. You can leave the frequency switches at the factory setting or move them to any combination of up or down. Use a small flat bladed screwdriver to move the switches. (Fig. 29)

17. OPERATING INSTRUCTIONS:

Restore power to ceiling fan and test for proper operation.

Figure 30:

1. Buttons ● , ●● , ●●● :
These three buttons are used to set the fan speed as follows:

● = Low Speed

●● = Medium Speed

●●● = High Speed

Figure 31:

1. The " ⏻ " buttons:
This button turns the fan motor off and is also used in the program procedure.

2. The " 💡 " and " ⚡ " button:
These two buttons turn the light ON or OFF and also controls the brightness setting. Your fan only have downlight and press the " ⚡ " to control your light.

3. The " ↻ " button: controls fan direction, forward or reverse
Speed setting for warm or cool weather depend on factor such as th room size. Ceiling height, number of fans and so on.

Warm Weather Operation:

Forward (counterclockwise) A downward airflow creates a cooling effect . This allows you set your air conditioner on a warmer setting without affecting your general comfort.

Cool Weather Operation:

Reverse (clockwise) An upward airflow creates a warm air off the ceiling areas. This allows you set your air conditioner on a cooler setting without affecting your general comfort.

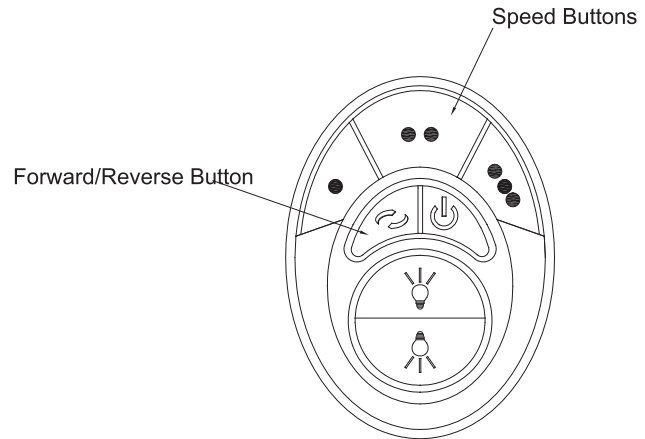


Fig. 30

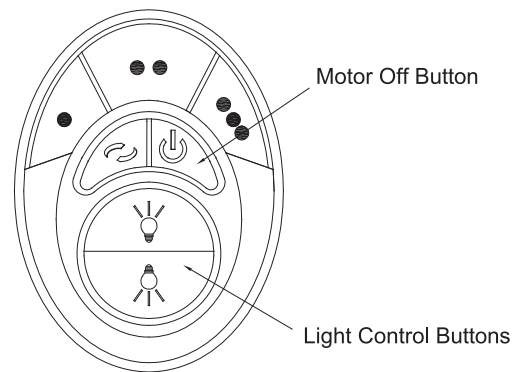


Fig. 31

18. FCC INFORMATION

This device complies with part 15 of the FCC Rules. Operation is subject to the following two conditions:

- (1) This device may not cause harmful interference, and
- (2) This device must accept any interference received, including interference that may cause undesired operation.

Note: This equipment has been tested and found to comply with the limits for a Class B digital device, pursuant to part 15 of the FCC Rules. These limits are designed to provide reasonable protection against harmful interference in a residential installation. This equipment generates, uses and can radiate radio frequency energy and, if not installed and used in accordance with the instructions, may cause harmful interference to radio communications. However, there is no guarantee that interference will not occur in a particular installation. If this equipment does cause harmful interference to radio or television reception, which can be determined by turning the equipment off and on, the user is encouraged to try to correct the interference by one or more of the following measures:

- Reorient or relocate the receiving antenna
- Increase the separation between the equipment and receiver.
- Connect the equipment into an outlet on a circuit different from that to which the receiver is connected.
- Consult the dealer or an experienced radio/TV technician for help.

19. TROUBLESHOOTING

Problem	Solution
Fan will not start.	<ol style="list-style-type: none"> 1. Check circuit fuses or breakers. 2. Check all electrical connections to insure proper contact. CAUTION: Make sure the main power is OFF when checking any electrical connection. 3. Make sure the transmitter batteries are installed properly. Positive (+) side facing out. 4. Insure the batteries have a good charge.
Fan sounds noisy.	<ol style="list-style-type: none"> 1. Make sure all motor housing screws are snug. 2. Make sure the screws that attach the fan blade brackets to the motor are tight. 3. CAUTION: Make sure main power is off. 4. Allow a 24-hour "breaking-in" period. Most noise associated with a new fan disappear during this time. 5. Do not connect this fan to a wall mounted variable speed control(s). They are not compatible with ceiling fan motors or remote controls. 6. Make sure the upper canopy is a short distance from the ceiling. It should not touch the ceiling.
Fan wobble.	<ol style="list-style-type: none"> 1. Check that all blade and blade arm screws are secure.
Remote control malfunction.	<ol style="list-style-type: none"> 1. Ceiling Fans with remote control systems CAN NOT be operated in conjunction with any other control system EXCEPT a basic On/Off wall switch, if desired.

KICHLER®

KICHLER LIGHTING LLC

30455 Solon Rd.

Solon, Ohio 44139 USA.

Customer Service

866.558.5706

8:30 AM to 5:00 PM EST,

Monday - Friday