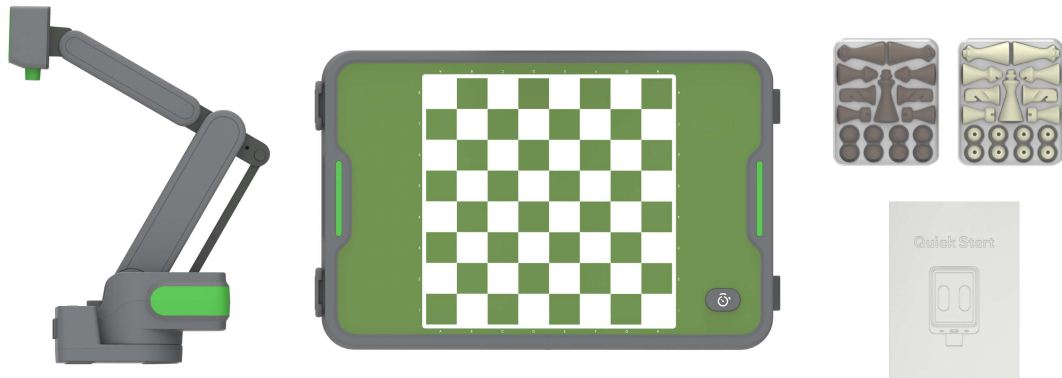


# **CYNUS**

**User Manual v1.0**

## 1 Inside the box



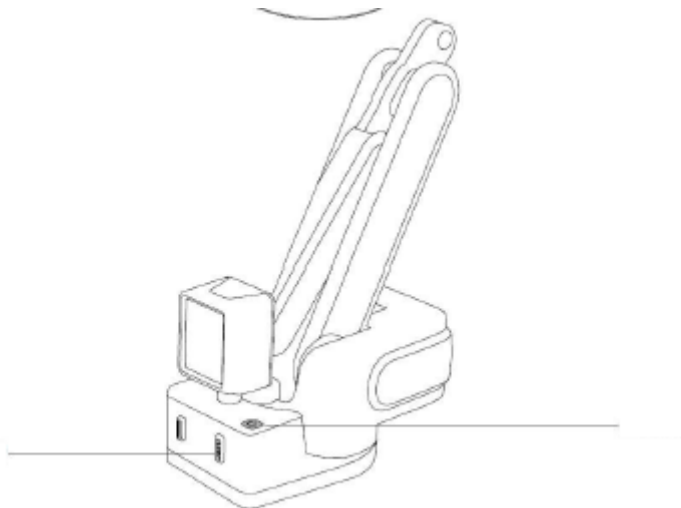
Robotic arm x1

Board x1

Quick Starter x1

Chess pieces: 2 sets of 17 each (including an extra queen)

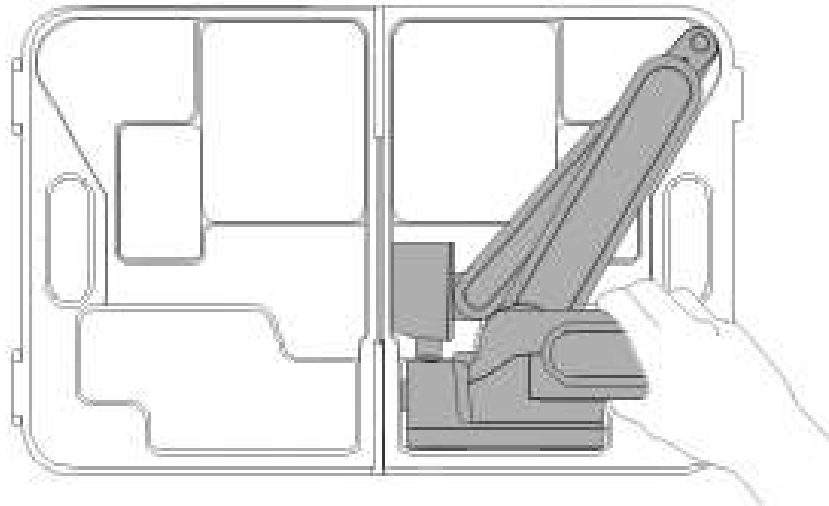
## 2 Product introduction



## 3 Starting Guide

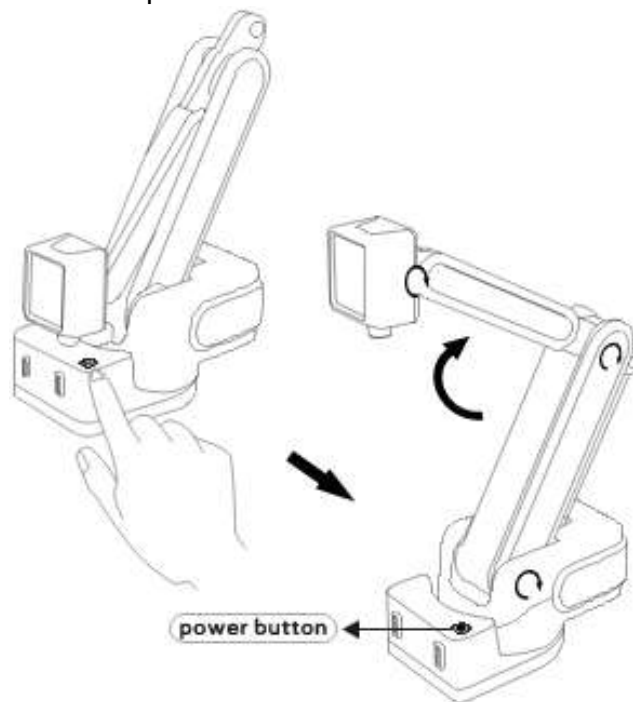
### 3.1 take out

hold the rear-end of the robot to take it out of the box.



### 3.2 power on

Place the robot on a solid platform first, **then** press the power button on the robot. The robot will boot up and unfold itself.



### 3.3 Chess board

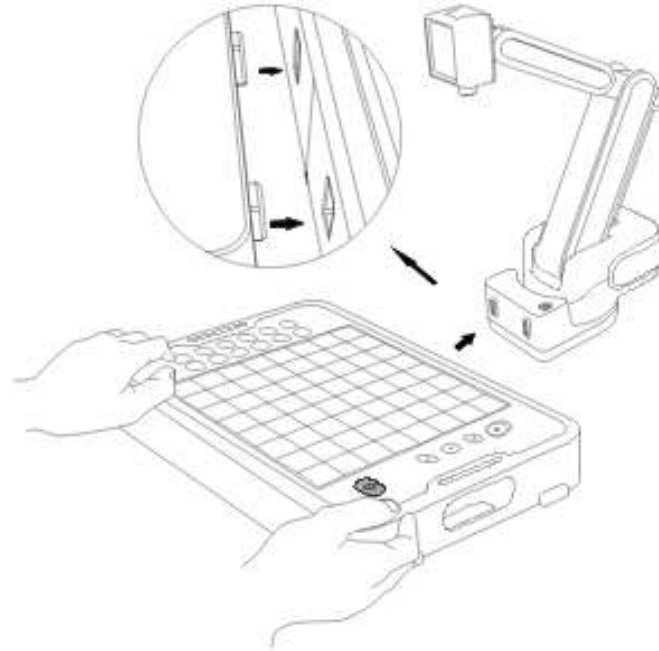
Unfold the chessboard, and place it in front of the robot.

As noted on the chess board, row 8 is on the robot side, so the robot will play black by default. If you want to play black, please place a white queen on the promotion area.

When the board is connected to the robot, the robot will detect the color of the promotion pieces. If the promotion queen is white, the board will be flipped logically, the robot will play white piece, you can play the dark piece on your side. Otherwise the robot will play dark, you need to play the pieces as normal.

### 3.4 connect

Keep the robot still, align the connector of the chess board with the robot's connector, and push the chess board to the robot. There are magnets installed in the chessboard and the robot, they will stick together when they are closed to each other.

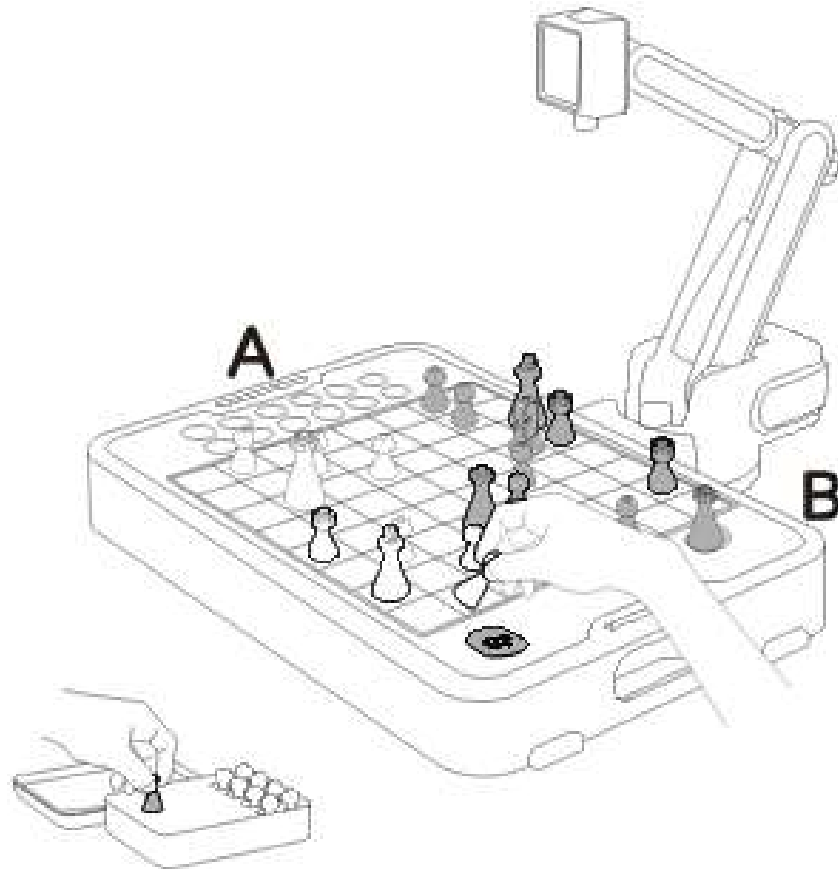


### 3.5 set up

If there is no queen on the promotion area or the queen is dark when the board gets connected with the robot, please place the dark piece on the robot side and white piece on you side as normal.

If the queen on the promotion area is white, please place the dark piece at your side and white piece at robot side.

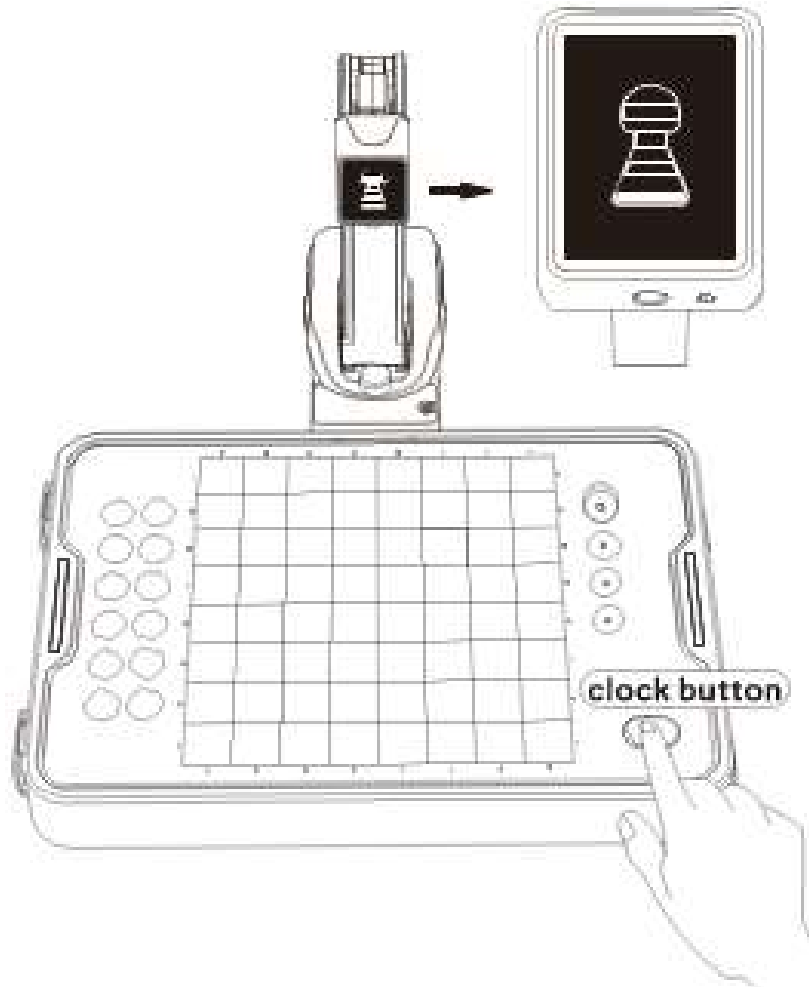
And please do not place any piece on the left area, that area is reserved for robot to place the piece it captured.



### 3.6: change the difficulty

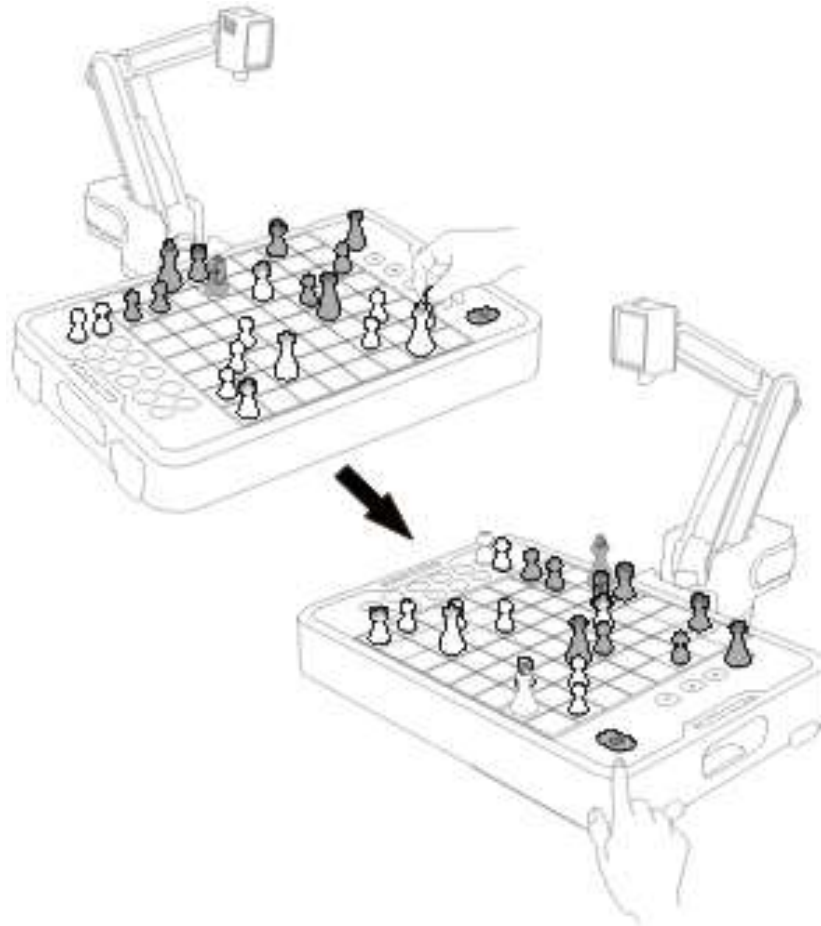
Long press the clock button on the board for more than 5 seconds until the difficulty icon shows on the screen, then release the button, click the button to change the difficulty. The difficulty will increase one level on each click, until it reach the highest level 8, then it will return to level one. After the difficulty is changed, leave the button for about 5 seconds when the emoji comes back on the screen, the setting is finished.

The setting will be stored, and remain same when it powered on next time.



### 3.7 play

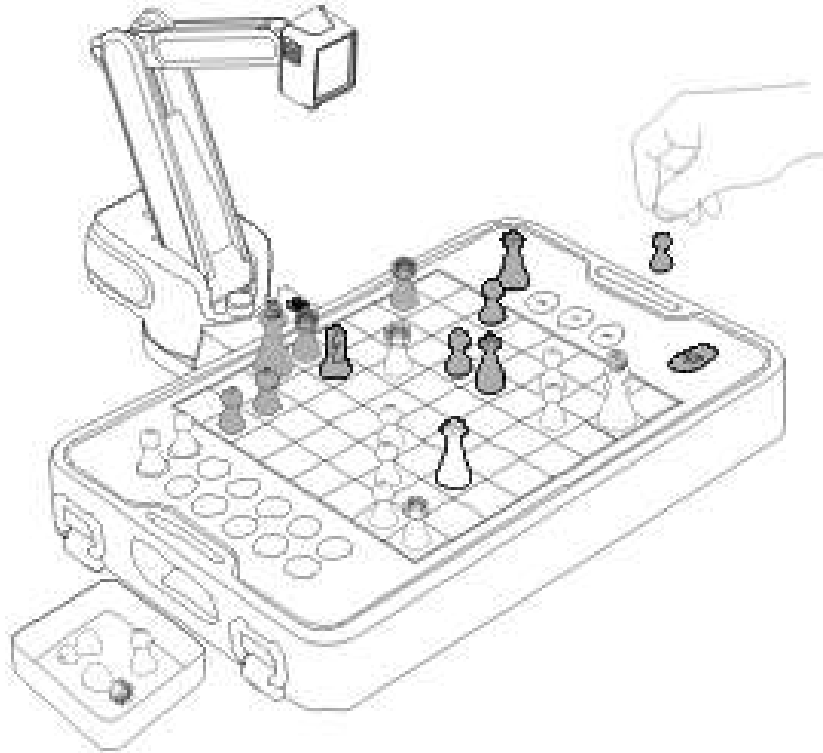
After powered up, the clock button on the board will be GREEN, which means it is your turn, you can make your move now. After finishing your move, you need to press the clock button to tell the robot that you have finished your move, and let the robot make its move. The clock button will turn RED, and the robot will start the scanning of the board and make its move, a thinking emoji will be shown on the screen when the robot is computing. After the computing, the robot will make its move and reset to the default pose, the clock button will turn GREEN again, you can make your move again.



### 3.8 Capture

The robot will place the pieces it captured on the left area of the chess board, so do NOT place any piece you captured on the left area.

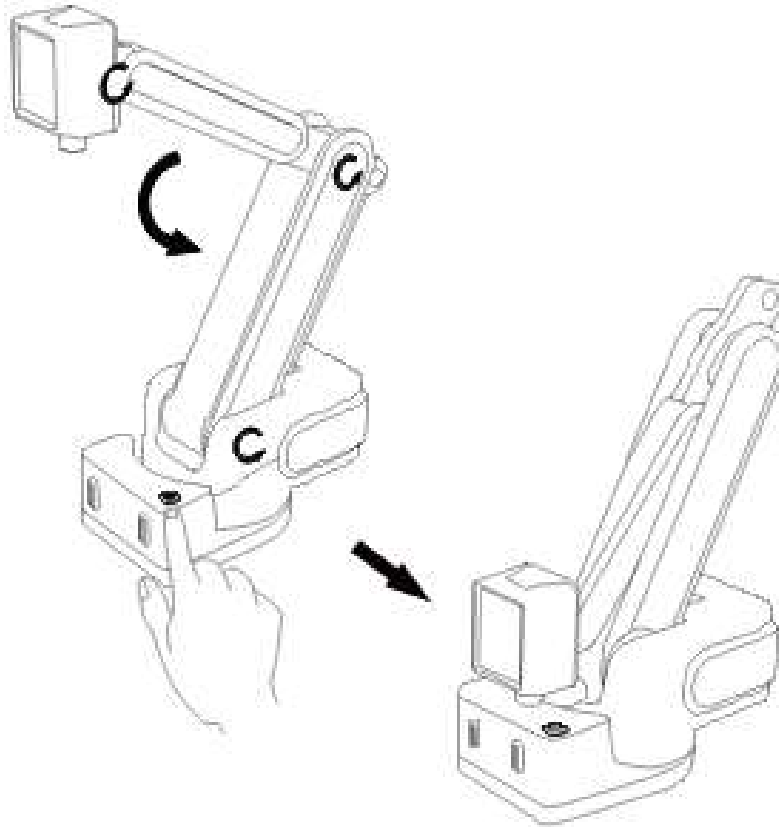
And if there are on place left on the left area of the board, the robot will drop the piece it capture off the board.



### 3.9 power off and fold

Long press the power button for about 5 second will fold the robot and power it off, after folded, you can place the robot in the chess board box.

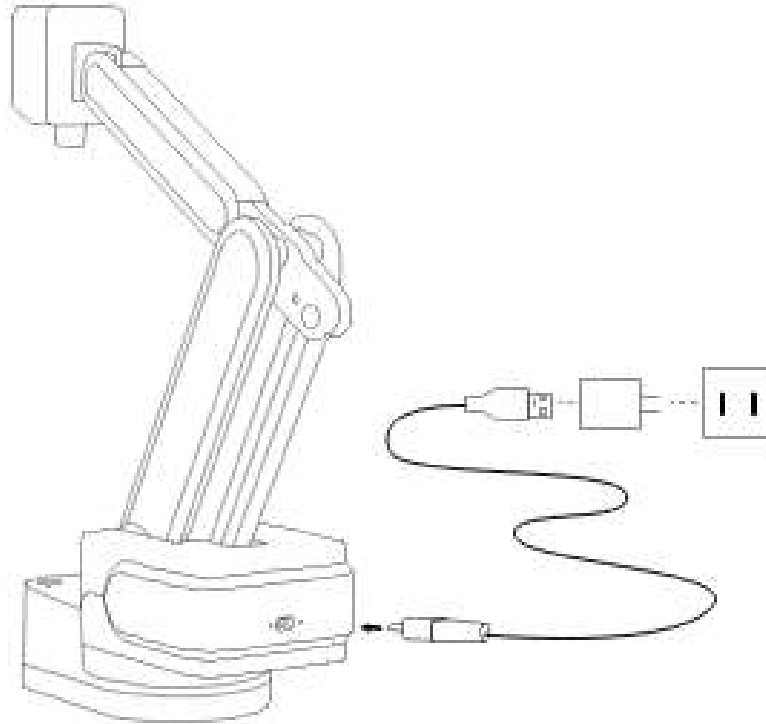
If you don' t need to store the robot in the chess board box, you can just click the power button to power the robot off without folding it.



#### 4 charge

There is a standard USB type C connector on the back of the robot, please use a normal USB type-c cable and a normal USB adapter to charge it. Make sure that the USB adapter is able to provide more than 1.5A at 5V.

Please recharge the robot once every two months at least to prevent the battery from over-discharge.



#### 5: open source protocol

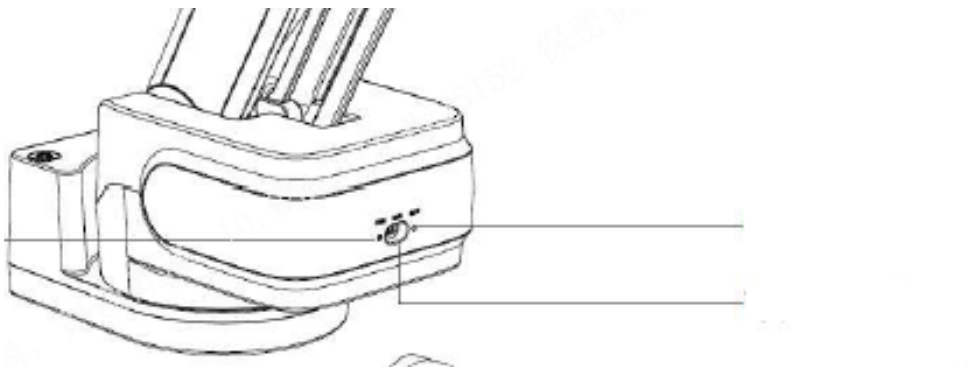
The robot equipped with a Bluetooth LE, by which it can be connected and controlled by the smart phone or a PC. The protocol is open sourced, if you want to program to control the robot, you can find the protocol on our website.

#### 6: APP

The app can be used to set the time mode, flip board, upgrade the robot, or record the game. You can find it by searching "Cynus" on the Apple' s App Store or on Google play.

#### 7: Reset

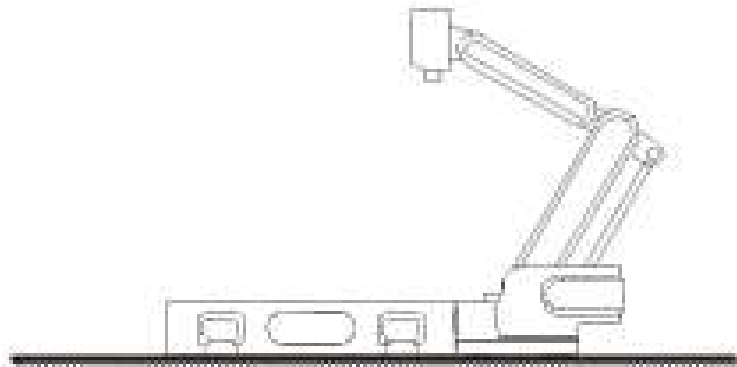
If the robot is not able to be powered off normally, please use a thin object like a needle to reset the robot in the rear of the robot.



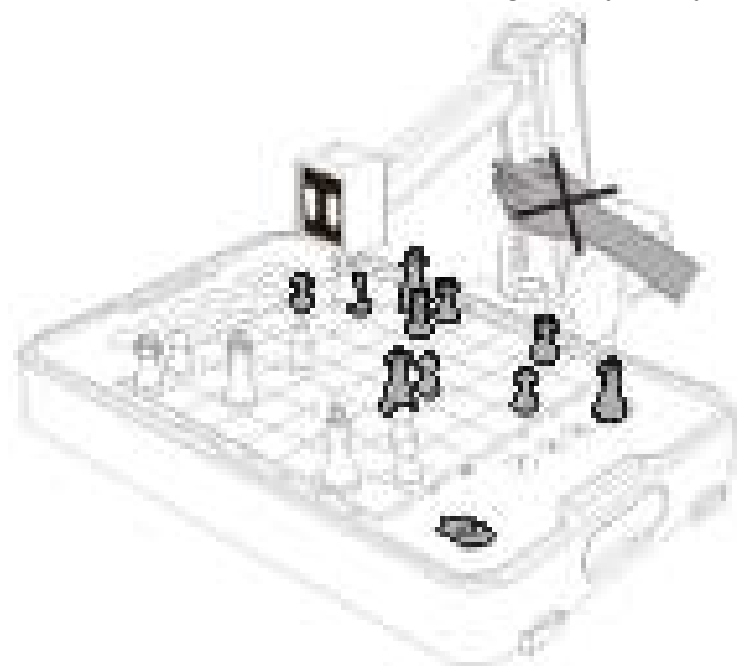
#### 8: Notes

1: the robot and the chessboard has to be placed on a flat solid surface,

otherwise the robot may not able to work properly.



2: do not touch the robot arm when it is moving, it may hurt you.



3: Do NOT play the robot in the sunshine or dim places, the shadow of the chess pieces or the in sufficient light may cause robot' s recognition error.



## 9 Product specifications

weight	Approx. 2.6kg
folded dimension	310*245*119mm
expanded dimension	310*490*59mm
battery	2000mAh Li-ion
Charging time	Approx. 2hours
Buetooth	V5.1
Camera	3 Mega pixels
Display	2.0 inch
Speaker	Yes
Microphone	Yes
Auto shutdown	Yes
input volatge	USB type-C 5V
operating temperature	0°- 40°
Storage temperature	-10°- 55°

## 10 Safety precautions

- Cynus is not suitable for children under 6 years old.
- The USB type-c cable and charging adapter for this product is not included in the package.
- Please use the recommended adapter (DC5V/1.5A) to recharge Cynus.
- Do not touch the robot arm when it is running.
- Please try not to place Cynsu at any location with high potential risk of dropping and falling.

## 11 Warranty Terms and Conditions

1 year warranty.

\*Free repairing service will be offered during the warranty period, if the failure occurs due to normal conditions according to the instruction manual (determined by Manya After-Sales Service Team).

The warranty does not cover below circumstances.

- a. Failure to provide a warranty certificate and a valid purchase invoice.
- b. Misuse and improper repair.
- c. Natural consumption/wear and tear of consumable materials and aging.
- d. Water or other liquid damage & damage caused by external fore, etc. due to improper use.



**[www.manyaspace.com](http://www.manyaspace.com)**

### FCC Warning

NOTE: This equipment has been tested and found to comply with the limits for a Class B digital device, pursuant to part 15 of the FCC Rules. These limits are designed to provide reasonable protection against harmful interference in a residential installation. This equipment generates, uses and can radiate radio frequency energy and, if not installed and used in accordance with the instructions, may cause harmful interference to radio communications. However, there is no guarantee that interference will not occur in a particular installation. If this equipment does cause harmful interference to radio or television reception, which can be determined by turning the equipment off and on, the user is encouraged to try to correct the interference by one or more of the following

measures:

- Reorient or relocate the receiving antenna.
- Increase the separation between the equipment and receiver.
- Connect the equipment into an outlet on a circuit different from that to which the receiver is connected.
- Consult the dealer or an experienced radio/TV technician for help.

Any changes or modifications not expressly approved by the party responsible for compliance could void the user's authority to operate the equipment.

This device complies with part 15 of the FCC Rules. Operation is subject to the following two conditions:

- (1) This device may not cause harmful interference, and
- (2) This device must accept any interference received, including interference that may cause undesired operation.

This equipment complies with FCC radiation exposure limits set forth for an uncontrolled environment .

This transmitter must not be co-located or operating in conjunction with any other antenna or transmitter.