

Greenmigo®

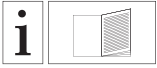
GREENMIGO 'ALPHA' Range Dehumidifiers



Thank you for choosing Greenmigo, we really do appreciate it.

Please review your dehumidifier online wherever you bought it to help others decide which dehumidifier to buy.

INSTRUCTION MANUAL [EN]



Read the USER MANUAL carefully before operation.



Further information is available in the USER MANUAL, SERVICE MANUAL, and the like.



Service personnel are required to carefully read the USER MANUAL and SERVICE MANUAL before operation.



Recycle unwanted materials instead of disposing of them. All appliances and packaging should be sorted and tendered at a regional recycling centre and be processed in an ecological manner.



This unit uses a flammable refrigerant.
If refrigerant leaks and comes in contact with fire or heating part, it will create harmful gas and there is risk of fire.

Product Instructions

The dehumidifier is used to remove excessive moisture from the air. The resulting reduction in relative humidity protects buildings and their contents from the adverse effects of excess humidity.

The environmentally friendly R290 is used as the refrigerant. R290 has no damaging influence on the ozone layer (ODP), a negligible greenhouse effect (GWP) and is available worldwide. Because of its efficient energy properties, R290 is highly suitable as a coolant for this application. Special precautions must be taken into consideration due to the coolant's high flammability.

Safety Instructions

- This appliance can be used by children aged from 8 years and above and persons with reduced physical, sensory or mental capabilities or lack of experience and knowledge if they have been given supervision or instruction concerning use of the appliance in a safe way and understand the hazards involved. Children shall not play with the appliance. Cleaning and user maintenance shall not be made by children without supervision.
- The unit is designed only for use with R-290 (propane) gas as the designated refrigerant.
- **THE REFRIGERANT LOOP IS SEALED. ONLY A QUALIFIED TECHNICIAN SHOULD ATTEMPT TO SERVICE!**
- Do not discharge the refrigerant into the atmosphere.
- R-290 (propane) is flammable and heavier than air.
- It collects first in low areas but can be circulated by the fans.
- If propane gas is present or even suspected, do not allow untrained personnel to attempt to find the cause.
- The propane gas used in the unit has no odor.
- The lack of smell does not indicate a lack of escaped gas.
- If a leak is detected, immediately evacuate all persons from the store, ventilate the room and contact the local fire department to advise them that a propane leak has occurred.
- Do not let any persons back into the store until the qualified service technician has arrived and that technician advises that it is safe to return to the store.
- No open flames, cigarettes or other possible sources of ignition should be used inside or in the vicinity of the units.
- Component parts are designed for propane and non-incentive and non-sparking. Component parts shall only be replaced with identical repair parts.
- If the supply cord is damaged, it must be replaced by the manufacturer, its service agent or similarly qualified persons in order to avoid a hazard.
- The appliance shall be disconnected from its power source during maintenance.
- Ensure the unit is far away from fire, inflammable, or explosive objects.
- Do not use means to accelerate the defrosting process or to clean, other than those recommended by the manufacture.

Safety Instructions

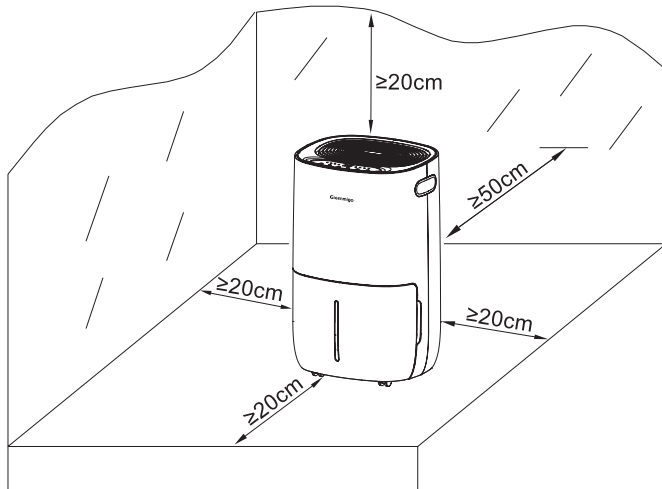
- The appliance shall be stored in a room without continuously operation sources (for example: open flames, an operating gas appliance or an operating electric heater).
- The appliance shall be stored so as to prevent mechanical damage from occurring.
- Do not piece or burn, even after use.
- Pipe-work shall be protected from physical damage and shall not be installed in an unventilated space, if that space is smaller than 8 m².
- Compliance with national gas regulations shall be observed.
- Keep any required ventilation openings clear of obstruction.
- The appliance shall be stored in a well-ventilated area where the room size corresponds to the room area as specified for operation.



Warning

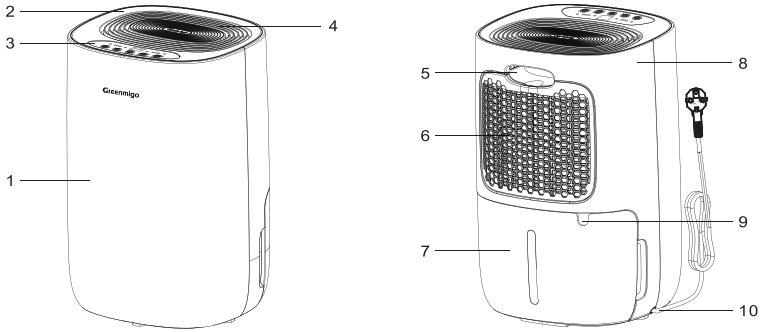
- Failure to abide by this warning could result in an explosion, death, injury and property damage.
- Any person who is involved with working on or breaking into a refrigerant circuit should hold a current valid certificate from an industry-accredited assessment authority, which authorizes their competence to handle refrigerants safely in accordance with an industry, recognized assessment specification.
- Servicing shall only be performed as recommended by the equipment manufacturer. Maintenance and repair requiring the assistance of other skilled personnel shall be carried out under the supervision of the person competent in the use of flammable refrigerants.

1. Prior to Operation



- Check the dehumidifier for any transport damage. In case of damage, you should inform the sender immediately.
- Remove all packaging material and place the dehumidifier on a stable, flat dry and level surface.
- Ensure the dehumidifier is at a safe distance at least 50cm away from a wall or furniture.
- Supply power should be in correspondence with the value on the nameplate, power outlet needs to be grounded.
- Ensure the tank is correctly fitted, if the tank is full or not in place, the tank full light comes on and the dehumidifier will stop working.
- Turn on the power and run the machine as per instructions below.

2. Parts List Greenmigo ALPHA 10 and 12 Litre

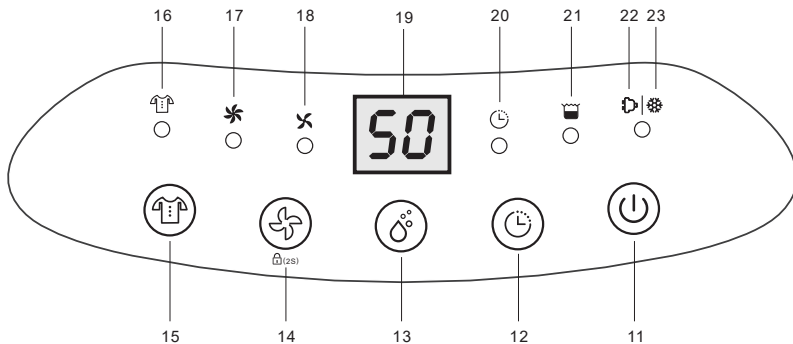


- 1. Front Cover
- 4. Air Outlet
- 7. Water Tank
- 10. Power Cord

- 2. Top Cover
- 5. Handle
- 8. Rear Cover

- 3. Control Panel
- 6. Air Inlet Filter
- 9. Drainage Outlet

3. Control Panel and Operation - Greenmigo ALPHA 10 And 12 Litre

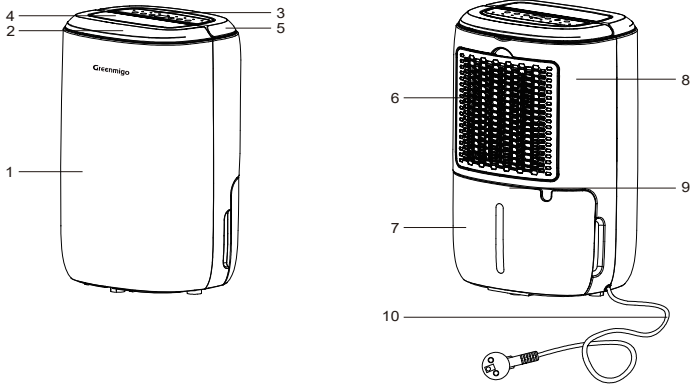


- 11. Power Button
- 14. Fan Speed Button / Child Lock Button
- 17. High Fan Speed Indicator
- 20. Timer Indicator
- 23. Defrost Indicator

- 12. Timer Off Button
- 15. Laundry Drying Button
- 18. Low Fan Speed Indicator

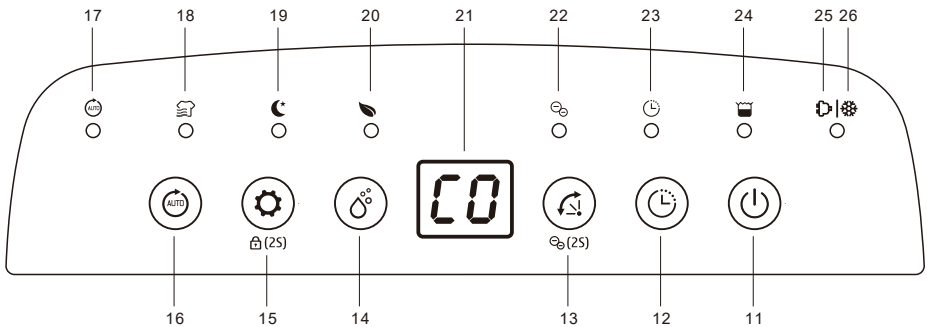
- 13. Humidistat Button
- 16. Laundry Drying Indicator
- 19. Humidity Reading Display
- 22. Running Indicator

4. Parts List – Greenmigo ALPHA-12 PLUS



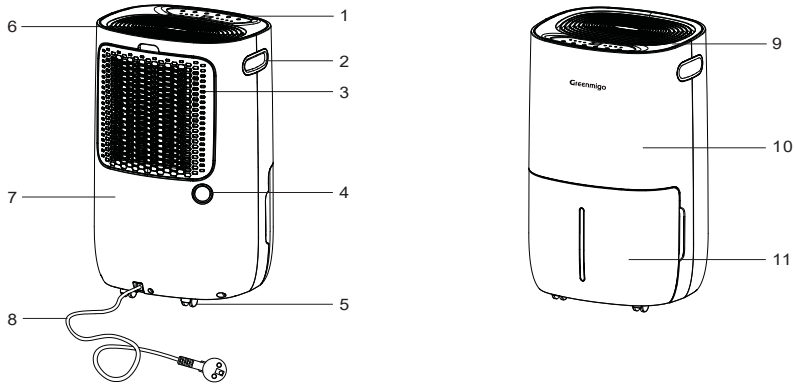
- | | | |
|---------------------|---------------|---------------------|
| 1. Front Cover | 2. Top cover | 3. Control Panel |
| 4. Oscillating flap | 5. Handle | 6. Air Inlet Filter |
| 7. Water Tank | 8. Rear Cover | 9. Drainage Outlet |
| 10. Power Cord | | |

5. Control Panel and Operation – Greenmigo ALPHA-12 PLUS



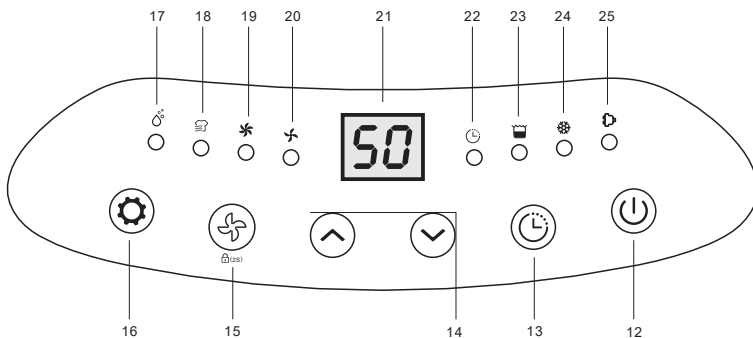
- | | | |
|-----------------------------|------------------------------------|---|
| 11. Power Button | 12. Timer Off Button | 13. Oscillation Button / Ionizer Button |
| 14. Humidistat Button | 15. Mode Button / Childlock Button | 16. Auto Button |
| 17. Auto Indicator | 18. Laundry Drying Indicator | 19. Sleep Indicator |
| 20. Air purifying Indicator | 21. Humidity Reading Display | 22. Ionizer Indicator |
| 23. Timer Indicator | 24. Tank Full Indicator | 25. Running Indicator |
| 26. Defrost Indicator | | |

6. Parts List Greenmigo ALPHA 20 Litre



- | | | |
|--------------------|----------------|---------------------|
| 1. Control Panel | 2. Handle | 3. Air Inlet Filter |
| 4. Drainage Outlet | 5. Casters | 6. Air Outlet |
| 7. Rear Cover | 8. Power Cord | 9. Top Cover |
| 10. Front Cover | 11. Water Tank | |


7. Control Panel and Operation - Greenmigo ALPHA 20 Litre




- | | | |
|--|------------------------------|-----------------------------|
| 12. Power Button | 13. Timer Off Button | 14. Up And Down Buttons |
| 15. Fan Speed Button / Child Lock Button | 16. Mode Button | 17. Manual Indicator |
| 18. Laundry Drying Indicator | 19. High Fan Speed Indicator | 20. Low Fan Speed Indicator |
| 21. Humidity Reading Display | 22. Timer Indicator | 23. Tank Full Indicator |
| 24. Defrost Indicator | 25. Running Indicator | |




8. Operating Notes

Power Button





Press  power button once to turn the dehumidifier on, the appliance makes a 'beep' sound. By default, appliance runs on Manual Dehumidifying Mode.

To turn off the appliance, press  power button again.

Timer Off Button

Press  Timer off button consecutively to select your preferred timer duration from 1 to 24 hours for automatic shutoff. Its corresponding indicator will be on. To cancel the timer off setting, press the  timer button twice in 5 seconds or turn off the appliance off and on using the  power button.

Humidistat Button

Press  Manual button to select your target humidity value, 55% RH is recommended for most applications. Pressing the  Manual button will scroll through the options of CO-30%-35%-40%45%-50%-55%-60%-65%-70%-75%-80%-CO. On the 20L model, you can use the  UP and  Down buttons to scroll through the options.

Press the button once to check the setting humidity, after a few seconds the display will revert to the current room humidity. When the relative humidity is below the target humidity, the appliance will go into the standby mode.

Fan will work for a few minutes to blow out the hot air from the appliance.

CO means the appliance can work continuously and without effect of the relative humidity.

Oscillation Button (ALPHA-12 PLUS)


Oscillating flap oscillates from 45°to 90°for better air circulation and optimum diffusion of the dehumidified air throughout the room.

Anion Function (ALPHA-12 PLUS)

Press and hold the Oscillation button for 2 seconds can active the Ionizer function to fresh up the air quality.

Note: Anion function will be switched off automatically when the fan stops working.

Fan Speed Button

Press  Fan Speed button to select your preferred fan speed setting (low and high) at manual mode and its corresponding indicator will be on.

Child Lock Button


Press and Hold the fan speed button down for 2 seconds to lock the control panel and repeat to deactivate the child lock.

On ALPHA-12 PLUS model, press and hold the Mode button for 2 seconds to lock the buttons.

Mode Button (ALPHA-12 PLUS)

By pressing mode button, you can choose the function of laundry drying mode, sleeping mode and air purifying mode.

Laundry Drying Mode

At  Laundry Drying mode, it operates in continuous dehumidification with high fan speed setting and will turn off automatically after 6 hours.

Sleeping Mode (ALPHA-12 PLUS)

At Sleeping mode, all lights will be off 5 seconds after the setting is completed, and the unit works in default humidity setting of 55% along with low fan speed.

Note: At Sleeping mode, press any button to wake up the unit, then to operate as usual.

Note: When the water tank is full on sleeping mode, water tank full indicator will always be on.

Air Purifying Mode (ALPHA-12 PLUS)

At Air Purifying mode, the unit works with high fan speed without dehumidifying, and the anion function will switch on automatically.

Note: Anion function can be switched off by pressing and hold the Oscillation button for 2 seconds.

Auto Dehumidifying Mode (ALPHA-12 PLUS)

Press the Auto button, the unit will work automatically accordance to the ambient humidity detected below.

Ambient RH% detected	Compressor	Fan Speed Level
RH% > 65%	Working	High
55 ≤ RH% ≤ 65%	Working	Low
RH% < 55%	Stop	Low

Tank Full Indicator

When the tank is full, the appliance automatically turns off and tank full indicator will be on.

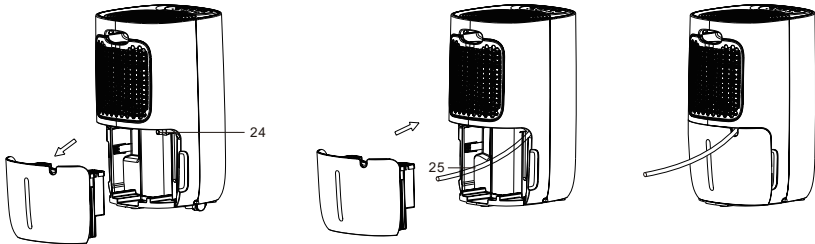
Dehumidification Light / Defrost Light

When the dehumidifier is in normal dehumidification mode the light is on. The light will flash on the 10L/12L models and the stand alone defrost light on the 20L will light up when the temperature in the room is below approximately 18°C to indicate that it is defrosting internally, this is not a fault, it is part of normal operation to maintain good dehumidification.

Memory Function:

- When unplugged directly or power cut, then reconnect to the power supply, the dehumidifier will run with the mode prior to the shutdown. The timer setting will be kept.
- Press the power button to switch off the dehumidifier, and then press the power button to switch it back on. The dehumidifier will run with the mode prior to the shutdown. The timer setting will be canceled.
- Switch off the dehumidifier and unplug the power cord, then reconnect the power supply and switch on the dehumidifier. It will run as factory preset mode the first time you received the dehumidifier.

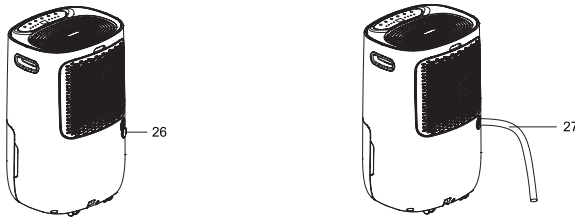
9. Continuous Drainage - Greenmigo ALPHA 10 And 12 Litre



24. Drainage outlet spout

25. Drainage hose

10. Continuous Drainage - Greenmigo ALPHA 20 Litre



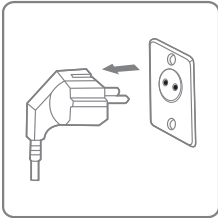
26. Drainage outlet spout

27. Drainage hose

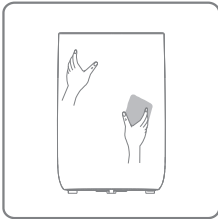
Continuous drainage option allows easy removal of collected water instead of manually emptying from the water tank. Firstly remove the tank (ALPHA 10 and 12 litre), Push a 14mm internal diameter hose onto the spout. Put the tank back in place and ensure that the hose is running downhill with no kinks or blockage. ALPHA 20 no need to remove the tank in operation.

11. Cleaning & Maintenance

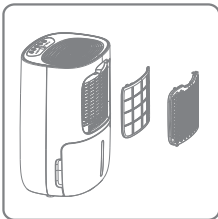
To ensure the effectiveness of dehumidifier, it is recommended to clean & maintain the appliance at least every two weeks.



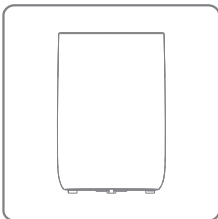
1. Disconnect the appliance from the power supply.



2. Use a soft cloth to gently wipe the outer case to remove dust. If the appliance is extremely dirty, use a mild cleaning agent.



3. Remove the air inlet filter, use a vacuum cleaner or a brush to remove the lint collected. Use warm soapy water to wash the air filter screen if required. (Water no hotter than 40 degree Celsius)



4. Air dry it then install back to the appliance.

12. Trouble shooting

Problem	Possible Cause	Solution
The device does not work	The power is not connected	Insert the plug into the wall outlet
	The water tank is full	Empty the tank
	The tank has not been replaced correctly	Replace the tank
Water removal capacity is too low	Runtime is too short	Be patient and wait
	Ambient temperature or humidity is too low	It is normal that the device does not dehumidify in these conditions
The device works, but reduces the relative humidity insufficiently	The room is too big	We recommend using a dehumidifier with a greater capacity
	There is too much ventilation	Reduce ventilation(e.g. close windows and shut doors)
	The air filter is clogged	Clean the air filter
	Set humidity is higher than the ambient humidity	Set the humidity lower than ambient humidity
Dehumidifier is blowing out warm air	The dried air is passed over heating coils before it is blown into the room as part of the dehumidifying process	This is normal, a dehumidifier is not an air cooler
The display is not showing the humidity set point	The display shows the room relative humidity not the set point	Press the humidity control button once to see the target relative humidity
Water on floor	There is residual water in tank, and the device is lurches too much by moving	Be careful when move the tank
The dehumidifier is noisy	The air filter is blocked or the device is on an uneven surface	Clean the filter or put the device on a flat surface

13. Display Error Codes

Please contact local distributor if any of the error codes below appears.

Displayed Code	E1	E2
Error	Coil temperature error	Humidity sensor broken
Display	Flashes every 30 seconds	Flashes every 30 seconds
What is happening	Unit stills dehumidifies but in defrost mode only	Units still dehumidifies but in continuous mode only

14. Specifications

Model	ALPHA-10	ALPHA-12	ALPHA-12 PLUS	ALPHA-20
Power Supply	220-240V~50Hz			
Rated Power Consumption	165W	165W	165W	255W
Extraction (30°C 80%RH)	10 litres per day	12 litres per day	12 litres per day	20 litres per day
Extraction (26.7°C 60%RH)	6.0 litres per day	7.5 litres per day	7.5 litres per day	11.5 litres per day
Digital Display	Available			
Humidity Setting	Available			
Laundry Mode	Available			
Air Flow High Speed	105m³/h	105m³/h	90m³/h	145m³/h
Air Flow Low Speed	80m³/h	80m³/h	70m³/h	130m³/h
Filter	Washable dust filter			
Noise Level High Speed	40dB(A)	40dB(A)	40dB(A)	44dB(A)
Noise Level Low Speed	36dB(A)	36dB(A)	36dB(A)	42dB(A)
Operating Temperatures	5~35°C			
Refrigerant	R290			
Tank Capacity	2.6Litres	2.6Litres	2.6Litres	5Litres
Dimensions (WDH)	300×250×463 mm	300×250×463 mm	300×256×466 mm	335×285×540 mm
Weight	10.1kg	10.4kg	10.7kg	15.2kg
Product Accessory	Drainage Hose (14mm inner diameter)			