

Installation Guide & User Manual

Version: IKP01/IKP02/IKP03/IKP04/IKP02-R

Wall Mount Range Hood 6" Top Vent, 1mm Thickness

iKTCH

iKTCH www.iktch.com

RANGE HOOD



STOP and read! Test before installing

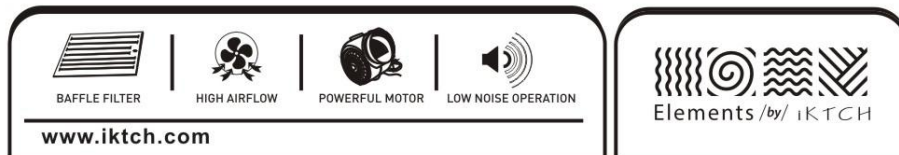
1. Please unpack the range hood and accessories carefully.
2. Remove the baffle filters, check any dent or damage inside and outside.
3. If found any loosing parts, please remove them.
4. Place the range hood on a flat stable surface, plug in 120V AC power source. Press the power button and the speed buttons to turn on.
5. Check if any unusual metal touching noise, check the speed variation, and press the Light button to check the lights.
6. Verify all functions per Section 9 RANGE HOOD OPERATIONS.
7. Refer to Section 10 TROUBLESHOOTING if any malfunction was found.
8. The plastic protective film was removed for sanding polish finishing.

IMPORTANT:

Read and save these instructions.

NOTICE:

Installer: Leave this guide with the homeowner
Homeowner: Keep this guide for future reference



Contact your local seller for exchange or repair.
Visit: www.iktch.com for most updated information.
Email to info@iktch.com.com for technical support and sales activity.

Important Safety Notice

Read all Instructions before Installing and operating this appliance

- The installation in this manual is intended for qualified installers, service technicians or persons with similar qualified background. Installation and electrical wiring must be done by qualified professionals and in accordance with all applicable codes and standards, including fire-rated construction.
- **DO NOT** attempt to install this appliance yourself. Injury could result from installing the unit due to lack of appropriate electrical and technical background.
- Range hood may have very sharp edges; please wear protective gloves if it is necessary to remove any parts for installing, cleaning or servicing.
- Activating any switch ON before completing installation may cause ignition or an explosion.
- Due to the size and weight of this range hood, two people installation is recommended.

To reduce the risk of fire, electric shock, or injury to persons:

- For general ventilating use only. **DO NOT** use to exhaust hazardous or explosive materials and vapors.
- The combustion air flow needed for safe operation of fuel-burning equipment may be affected by this unit's operation. Follow the heating equipment manufacturer's guideline and safety standards such as those published by the National Fire Protection Association (NFPA), and the American Society of Heating, Refrigeration and Air Conditioning Engineers (ASHRAE), and the local code authorities.
- Before servicing or cleaning unit, switch power OFF at service panel and lock service panel to prevent power from being switched ON accidentally.
- Clean grease laden surfaces frequently. To reduce the risk of fire and to disperse air properly, make sure to vent air outside. **DO NOT** vent exhaust into spaces between walls, crawl spaces, ceiling, attics or garages.
- Ducted fans **MUST** always be vented to the outdoors.
- Use only metal ductwork and this unit **MUST** be grounded.
- Sufficient air is needed for proper combustion and exhausting of gases through the duct to prevent back drafting.
- When cutting or drilling into wall or ceiling, be careful not to damage electrical wiring or other hidden utilities.
- All electrical wiring must be properly installed, insulated and grounded.
- Old duct work should be cleaned or replaced if necessary to avoid the possibility of a grease fire.
- Check all joints on duct work to insure proper connection and all joints should be properly taped.
- Use this unit only in the manner intended by the manufacturer. If you have questions, contact the vendor.

To reduce the risk of a stove top grease fire:

- Keep all fan, baffle, spaces, filter, grease tunnel, oil container and grease-laden surfaces clean. Grease should not be allowed to accumulate on fan, baffle, spaces, filter, grease tunnel and oil container.
- Always turn range hood ON when cooking at high heat or when cooking flaming foods.
- Use high settings on cooking range only when necessary.
- Never leave surface units unattended at high settings. Boil overs cause smoking and greasy spillovers that may ignite. Heat oils slowly on low or medium settings.

Page 1

Important Safety Notice

Read all Instructions before Installing and operating this appliance

- Clean ventilating fan frequently.
- Always use appropriate cookware and utensils size.
- Always use cookware appropriate for the size of the surface element.

To reduce the risk of injury to persons in the event of a stove top grease fire:

- **SMOTHER FLAMES** with a close-fitting lid, cookie sheet, or metal tray, then turn OFF the burner. **BECAREFUL TO PREVENT BURNS. NEVER PICK UP A FLAMING PAN**—you may be burned. **KEEP FLAMMABLE OR COMBUSTIBLE MATERIAL AWAY FROM FLAMES.** If the flames **DO NOT** go out immediately, **EVACUATE AND CALL THE FIRE DEPARTMENT** or dial your local emergency service immediately.
- **DO NOT USE WATER**, including wet dishcloths or towels — a violent steam explosion will result.
- Use an extinguisher **ONLY** if:
 - You know you have a Class A, B, C extinguisher, and you already know how to operate it.
 - The fire is small and contained in the area where it is started.
 - The fire department is being called.
 - You can fight the fire with your back to an exit.

To reduce the risk of injury to persons in the event of a gas leaks:

- Extinguish any open flame.
- **DO NOT** turn on the range hood fan or any type of ventilator.
- **DO NOT** turn on the lights or any type of appliance.
- Open all doors and windows to disperse the gas. If you still smell gas, call the gas company and fire department, or dial your local emergency service immediately.

Your safety and the safety of others is very important. We have provided many important safety messages in this manual and on your appliance. Always read and obey all safety messages. All safety messages will tell you what the potential hazard is, tell you how to reduce the chance of injury, and tell you



This is the safety alert symbol. This symbol alerts you to potential hazards that can hurt you and others. All safety messages will follow the safety alert symbol and the word "WARNING".

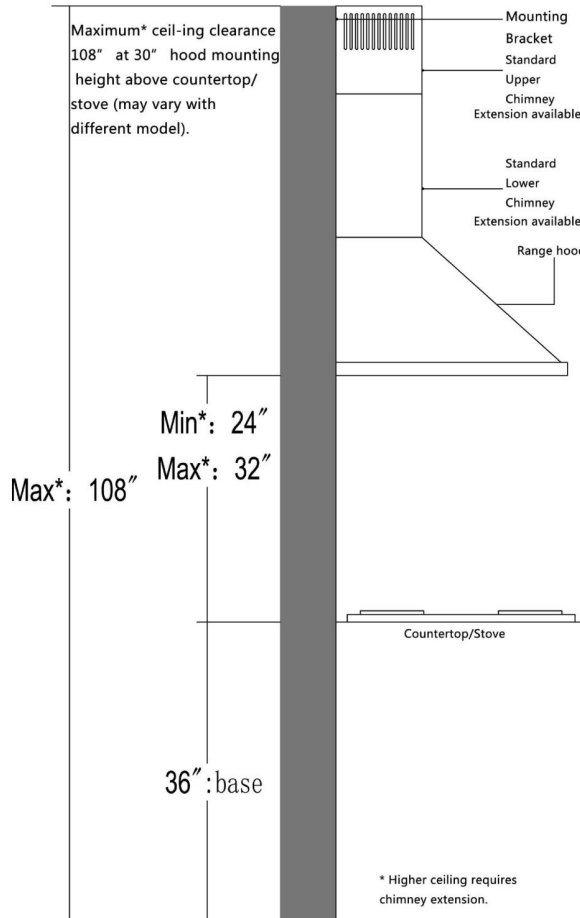
The manufacturer and/or distributor/reseller declines all responsibility in the event of failure to observe the instructions given here for installation, maintenance and suitable use of the product. The manufacturer and/or distributor/reseller further declines all responsibility for injury due to negligence and the warranty of the unit automatically expires due to improper maintenance. The manufacturer and/or distributor/reseller will not be held responsible for any damages to personal property or real estate or any bodily injuries whether caused directly or indirectly by the range hood.

Page 2

- Vent system must terminate to the outside (roof or side wall).
- DO NOT terminate the vent system in an at-tic or other enclosed area.
- DO NOT use 4" (10.2 cm) laundry-type wall caps.
- Use metal/aluminum vent only. Rigid metal/ aluminum vent is recommended.
- DO NOT use plastic vent.
- Always keep the duct clean to ensure proper airflow.
- Calculate the following figures before installation:
 1. Distance from the floor to the ceiling.
 2. Distance between the floor to the countertop/stove (recommend* 24" to 32").
 3. Distance between the countertop/stove to the range hood.
 4. Height of hood and duct cover.

For the most efficient & quiet operation:

- A distance of 24" to 32" is recommended* between stove top and the bottom of range hood.
- It is recommended that the range hood be vented vertically through the roof through 6" (15.2 cm) or bigger round metal/aluminum vent work.
- The size of the vent should be uniform.
- Use no more than three 90° elbows.
- Make sure there is a minimum of 24" (61 cm) of straight vent between the elbows if more than one elbow is used.
- DO NOT install two elbows together.
- The length of vent system and number of elbows should be kept to a minimum to provide efficient performance.
- The vent system must have a damper. If roof or wall cap has a damper, DO NOT use damper (if supplied) on top of the range hood.
- Use silver tape or duct tape to seal all joints in the vent system.
- Use caulking to seal exterior wall or roof opening around the cap.



* Due to different ceiling height configurations, recommended height may not be applicable.

IMPORTANT:

- A minimum of 6" round (standard for this range hood) must be used to maintain maximum airflow efficiency.
- Always use rigid type metal/aluminum ducts if available to maximize airflow when connecting to provided duct.
- Please use *Duct Run Calculation* below to compute the total available duct run when using elbows, transitions and caps.
- ALWAYS, when possible, reduce the number or transitions and turns. If long duct run is required, increase duct size from 6" to 7" or 8". If a reducer is used, install a long reducer instead of a pancake reducer. Reducing duct size will restrict airflow and decrease airflow, thus reduce duct size as far away from opening as possible.
- If turns or transitions are required: Install as far away from opening and as far apart, between 2, as possible.
- Minimum mount height between stove top to hood bottom should be no less than 24-inch*.
- Maximum mount height between stove top to hood bottom should be no higher than 32-inch*.
- It is important to install the hood at the proper mounting height. Hoods mounted too low could result in heat damage and fire hazard; while hoods mounted too high will be hard to reach and will lose its performance and efficiency.
- If available, also refer to stove top manufacturer's height clearance requirements and recommended hood mounting height above range.

* Due to different ceiling height configurations, recommended height may not be applicable.

Minimum Duct Size:

- Round - 6" minimum

Calculating Vent System Length

To calculate the length of the system you need, deduct the equivalent feet for each vent piece used in the system from the recommended maximum duct run.

Duct Run Calculation:	
Recommended maximum run	
6" or 3-1/4 x 10" duct	50 ft
Vent piece deduction	
Each 90° elbow used	9 ft
Each 45° elbow used	5 ft
Each 6" to 3/4 x 10" transition used	7 ft
Side wall cap with damper	9 ft
Roof cap	9 ft

Duct Run Calculation example:

One roof cap, two 90° elbow, and one 45° elbow used:

$9ft + 9ft + 9ft + 5ft = 32ft$ used.

Deduct 32ft from 50ft, 18ft maximum available for straight duct run.

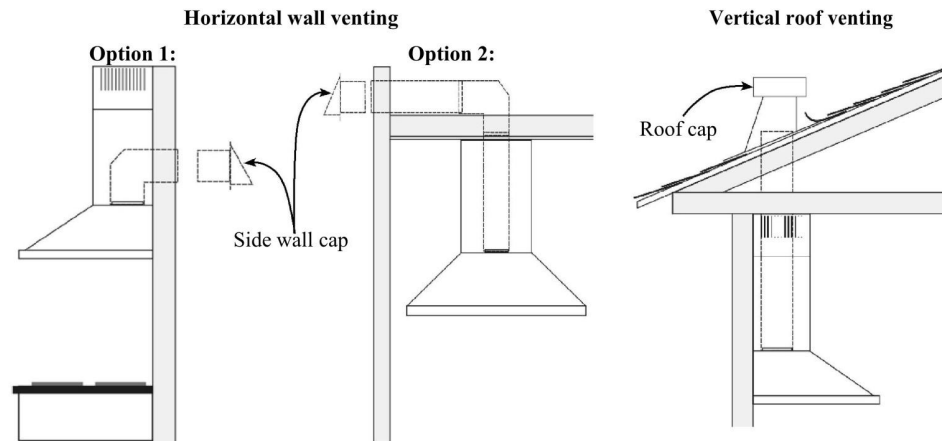


Venting Methods

- This range hood is factory set for venting through the roof or wall. For non-vented (re-circulating) installations, see **Ductless Conversion** on Page 7.
- Vent work can terminate either through the roof or wall. To vent through a wall, a 90° elbow is needed.

IMPORTANT:

- NEVER exhaust air or terminate duct work into spaces between walls, crawl spaces, ceiling, attics or garages. All exhaust must be ducted to the outside.
- Use metal/aluminum duct work only.
- Fasten all connections with sheet metal screws and tape all joints with certified Silver Tape or Duct Tape.
- Use caulking to seal exterior wall or roof opening around the cap.



Ductless Conversion

- Ductless conversion is intended for applications where an exhaust duct work is not possible to be installed. When converted, the hood functions as a purifying hood rather than an exhaust hood. Fumes and exhaust from cooking is drawn and filtered by a set of charcoal filters. The air is then purified and re-circulated back within the home.
- We recommend to ALWAYS exhaust air outside of the home by employing existing or installing new duct work, if possible. Only when the exhaust option is not possible should you recourse to converting the hood into a purifying unit.
- When converted to be a “purifying” unit, a set of charcoal filters and an air-diverter are required in addition to its standard aluminum filter set. Available at your local resellers. The standard aluminum filters are intended to capture residue from cooking, the optional charcoal filters help to purify fumes exhausted from cooking, and the optional air-diverter redirects filtered clean air back to the house.

Electrical Requirements

IMPORTANT: Observe all governing codes and ordinances.

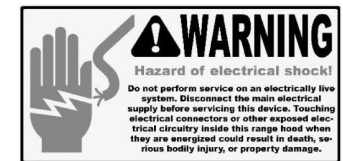
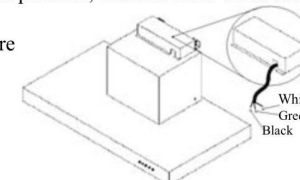
(THIS HOOD REQUIRES 120V POWER TO OPERATE PROPERLY)

It is the customer’s responsibility:

To contact a qualified electrical installer.

To assure that the electrical installation is adequate and in conformance with National Electrical Code, ANSI/NFPA 70 — latest edition*, or CSA Standards C22. 1-94, Canadian Electrical Code, Part 1 and C22. 2 No. 0-M91 - latest edition** and all local codes and ordinances.

- If codes permit and a separate ground wire is used, it is recommended that a qualified electrician determine that the ground path is adequate.
- A 120-volt, 60 Hz, AC-only,
- Do not ground to a gas pipe.
- Do not have a fuse in the neutral or ground circuit.
- **RISK OF ELECTRICAL SHOCK.** This range hood must be properly grounded. Check with a qualified electrician if you are not sure whether the range hood is properly grounded.
- The range hood should be connected directly to the fused disconnect (or circuit breaker) box through flexible armored or non-metallic sheathed copper cable. A U.L. - or C.S.A. - listed strain relief must be provided at each end of the power supply cable. Do not use extension cord or adapter plug with this appliance.
- The range hood must be connected with copper wire/plug only.
- Always use plug provided. If not possible, connect three wires according to its color (black to hot, white to neutral, and green to ground) to house wires and cap with wire connectors:



Wire sizes (copper wire only) and connections must conform with the rating of the appliance as specified on the model/serial rating label.

Wire sizes must conform to the requirements of the National Electrical Code ANSI/NFPA 70 — latest edition*, or CSA Standards C22. 1-94, Canadian Electrical Code Part 1 and C22. 2 No. 0-M91 - latest edition** and all local codes and ordinances. A U.L. - or C.S.A. - listed conduit connector must be provided at each end of the power supply cable (at the range hood and at the junction box).

Copies of the standards listed may be obtained from:

* National Fire Protection Association
Battery March Park
Quincy, Massachusetts 02269

** CSA International
8501 East Pleasant Valley Road
Cleveland, Ohio 44131-5575

Preparation

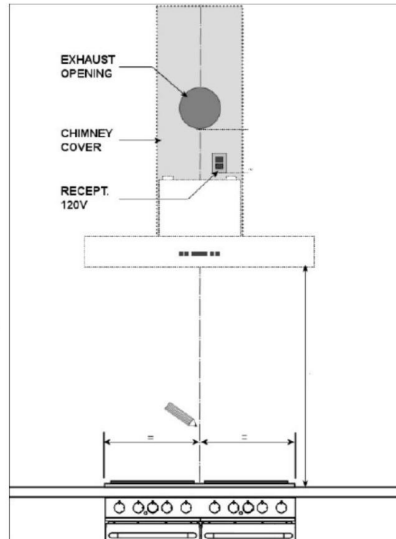
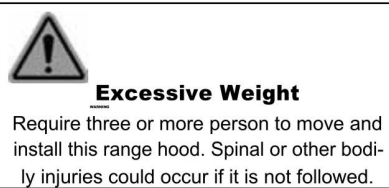
Advanced Preparations:

1. Read the entire installation guide and users manual thoroughly, understand instructions and warnings.
2. Be familiar with the controls of the range hood by reading through **Range Hood Operations**, Page 12.
3. Place the range hood on a flat, stable surface. Connect the range hood to a designated standard outlet (please refer the product label for the suitable voltage of this unit) and verify no debris has entered the vent openings, then turn on the range hood. Verify all operations of the range hood by referring to **Range Hood Operations**, Page 12.
4. Place all supplied parts and required hardware on a flat, stable surface and verify the existence of all supplied parts listed on Page 4.
5. Carefully remove the white plastic protective coat from the chimney covers and range hood if any.

Preparations:

NOTE: To avoid damage to your hood, prevent debris from entering the vent opening.

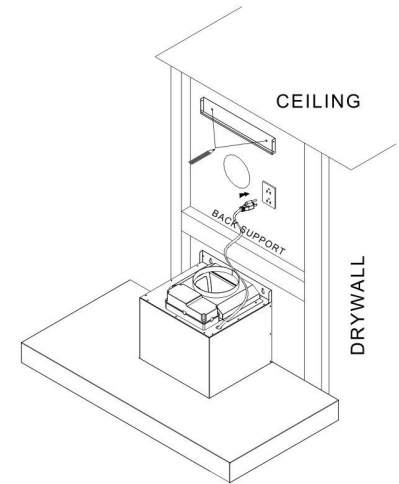
1. Determine and mark the center line on the ceiling where the range hood will be installed. Make sure there is proper clearance within the ceiling or wall for exhaust vent.
2. Due to the weight and size of this unit, please make sure that the support system or framework being used is stable and secure in the ceiling.
3. Put a thick, protective covering over counter top, cook top or range to protect from damage or dirt. Remove any hazardous objects around the area when installing.
4. Mark the locations of the support mounting bracket holes, vent cutout (if used) and power supply cable cutout on the ceiling. Use drill and saber saw or keyhole saw to cut openings for power supply cable and vent (see **Venting Methods** and **Electrical requirements**, Pages 7-8).
5. If venting to the outside install vent system (see **Venting Methods**, Page 7). Use caulking to seal exterior wall or roof openings.
6. Disconnect main electrical supply, prepare and run electrical wiring through ceiling. Leave approximately 12" of electrical cord hanging from the ceiling. Do not restore power until wiring is completed.
7. Disconnect power cord, remove the stainless steel baffle filter (see **Figure 9**, Page 11) and grease tunnel.
8. Set aside the stainless steel baffle filters and grease tunnel until the range hood is properly installed.
9. *If the range hood comes with a glass canopy and has not already been mounted to the hood, loosen the four canopy screws and washers from the hood top, carefully place the canopy on the hood top, and loosely tighten the four canopy screws along with washers. DO NOT put excessive pressure against the glass.*



Page 7

Installation

Figure 1



Installations (refer to Page 4 for parts):

Measure the distance between stove top and the bottom of range hood. A distance of 24" to 32" is recommended*. *Due to different ceiling height configurations, recommended height may not be applicable.

1. Using references in **Height & Clearance** on Page 5 and **Measurements and Diagrams** on Page 15, mark the leveling point of the hood. Position two mounting screws on the wall, leaving 1/8" space away from the wall.
2. Measure the width of the chimney then attach the chimney-mounting brackets to the wall as high as you want the upper chimney to be.

NOTE: Use threaded drywall anchors only when mounting the hood on sheet rock. Mounting the hood on wall studs or lumbers is highly recommended.

3. Align hood-mounting holes to the screws on the wall and hook the hood into place. Tighten screws to secure hood to the wall. **CAUTION: Make certain the range hood is secure before releasing!**
4. Connect the venting duct between the hood and the exhaust opening either on the ceiling or wall. Use aluminum tape to make all joints secure and air tight.
5. Connect the range hood to a designated standard outlet (please refer the product label for the suitable voltage of this unit) or cut off the plug and connect three wires (black, white and green) to house wires and cap with wire connectors. Connect according to colors (i.e. black to black, white to white, and green to green).

SAFETY WARNING: Risk of electrical shock. This range hood must be properly grounded. Make sure this is done by qualified electrician in accordance with all applicable national and local electrical codes. Before connecting wires, switch power off at service panel and lock service panel to prevent power from being switched on accidentally.

Figure 2

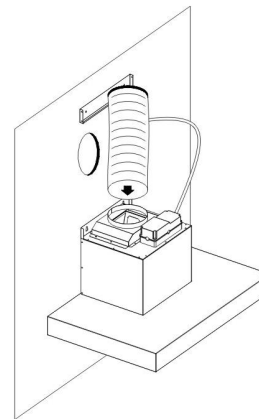


Figure 3

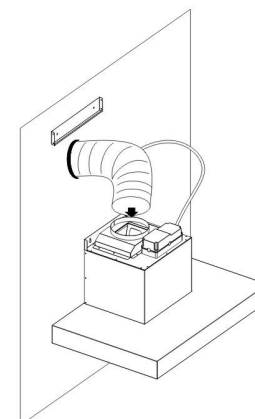
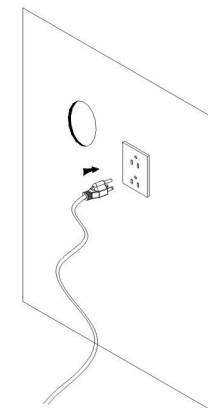


Figure 4



Page 8

Installation (Continued)

6. Store excess wires in the wiring box.
7. Install both chimneys and tighten screws to secure the lower chimney to the range hood as shown in Figure 5.
8. To avoid scratching the chimney, extend the upper chimney slowly and carefully to the chimney-mounting bracket and tighten screws as shown in Figure 6.
9. Place grease tunnel into recess support near rear of hood. Refer to Figure 7.
10. To install stainless steel baffle filters, refer to Figure 8 for the following five steps:
 - ① Angle baffle filter toward back of hood.
 - ② Push baffle filter up until almost level.
 - ③ Slide forward into recess behind the front of hood.
 - ④ Lower baffle filter.
 - ⑤ Slide back until it fits into resting positions.
11. Repeat Step 12 to install all stainless steel baffle filters.
12. Turn power ON in control panel. Check all lights and fan operations.
13. Make sure to leave this Installation Guide for the homeowner.

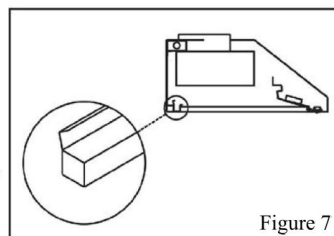
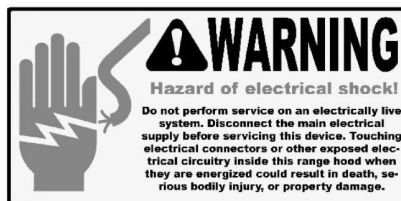


Figure 7

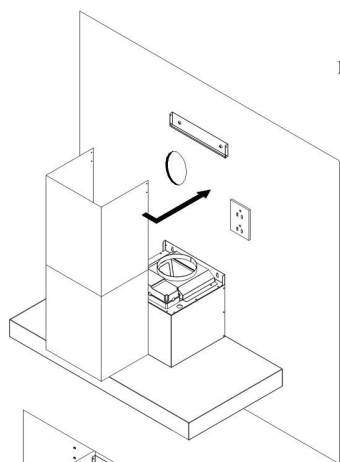


Figure 5

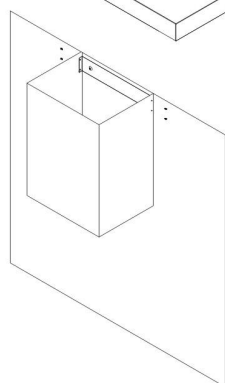
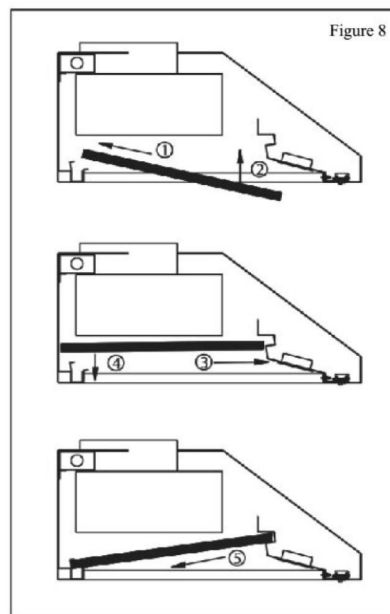


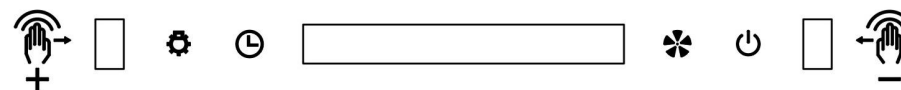
Figure 6



Page 9

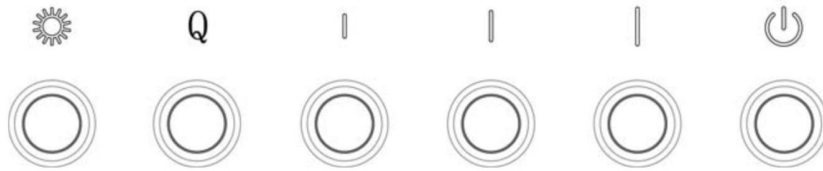
Range Hood Operations

Control Panel Layout and Buttons Configurations:



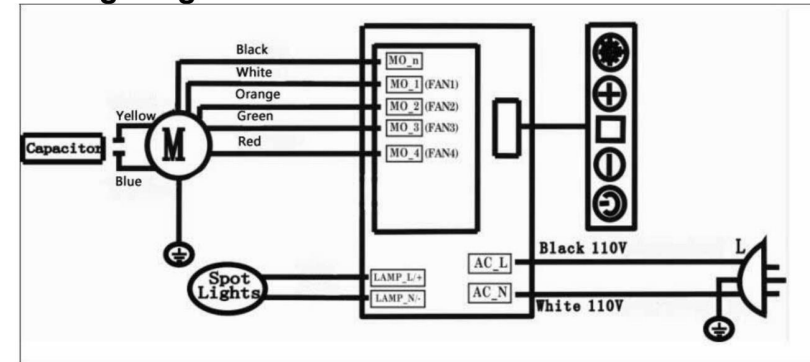
1. From left to right side: Lighting Key (K1), Timer Key (K2), LED Display, Speed Key (K3), Power Key (K4)
 2. When the power supply connected, all indicate lighting is On and then Off in 1 second. To press K4 to open the hood.
 3. When the hood is On, to press K3 to open Fan Speed 1st, to press again to open Fan Speed 2nd, as so forth, to open Fan Speed 3rd and 4th by K3. The Fan Speed is changed as 1-2-3-4-0-1-2-3-4.
 4. If there was any fan speed working, to press K2 to open Timer Mode, the default is 3 minutes and do count-down step. Or to press K2 or K3 to set the timer as wanted, the maximum timer is 15 minutes.
 5. To press K1 to open or close the lamp. The luminance of lighting can be adjusted from 0% to 100% as wanted by touching K1.
 6. **Gesture Control:** to move your hand from left side to right side to open 1st Fan Speed. And again to open 2nd Fan Speed, and 3rd, and 4th.
On the contrary, to move your hand from right side to left to reduce the speed level.
- Please Note: when using gesture control function, please make sure to move your hand from 2 signal ports completely.

Control Panel Layout and Buttons Configurations:



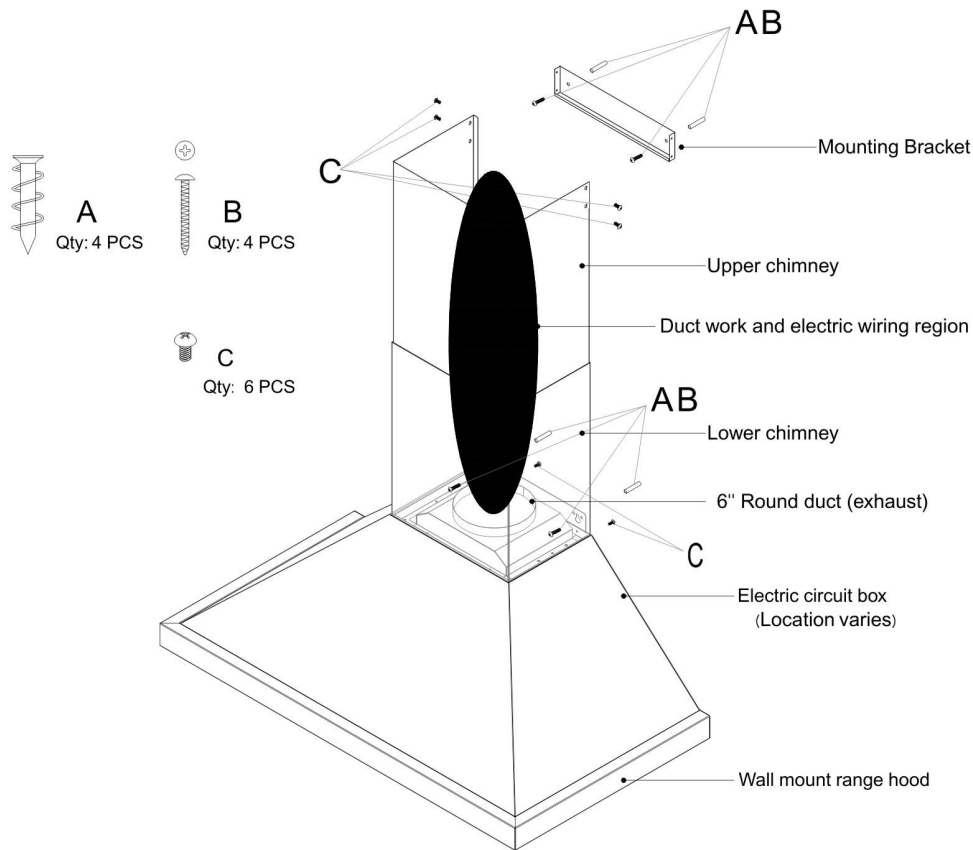
1. From left to right side: Lighting Key (K1), 1st Speed Key (K2), 2nd Speed Key (K3), 3rd Speed Key (K4), 4th Speed Key (K5), Power Key (K6)
2. When the power supply connected, all indicate lighting is On and then Off in 1 second. To press K6 to open the hood.
3. When the hood is On, to press K2, K3, K4 or K5 to choose the speed level wanted.
4. If there was any fan speed working, to press K6 to open Timer Mode, the default is 3 minutes. The timer is not adjustable.
5. To press K1 to open or close the lamp. The luminance of lighting can be adjusted from 0% to 100% as wanted by touching K1.

Wiring Diagrams



Measurements and Diagrams

Installation Overview:



Troubleshooting



- If the range hood or halogen light does not operate after installation:
 - Check if the range hood has been plugged in, make sure that all power has been turned back ON, fused not blown and all electrical wiring are properly connected.
 - Swap out light assembly to working ones to determine whether it is caused by defective bulbs. See *Replacing the light bulbs* on Page 19.
- The range hood vibrates when the blower is on:
 - The range hood might not have been secured properly on to the ceiling or wall. Check with your installer
- The blower or fan seems weak:
 - Check that the duct sized used is at least 6". Range hood WILL NOT function efficiently with insufficient duct size. For example: 8" duct over 6" hole and loosely secured.
 - Check if duct is clogged or if damper unit (half-circular flapper) is not installed correctly or opening properly. A tight mesh on a side wall cap unit might also cause restriction to the air flow.
- The lights work but the blower is not spinning at all, is stuck or is rattling.
 - The blower might be jammed or scraping the bottom due to shipping damage. Please contact us immediately.
- The hood is not venting out properly:
 - Make sure the distance between the stove top and the bottom of the hood is within* 28" and 31" in distance. *Due to different ceiling height configurations, recommended height may not be applicable.
 - Reduce the number of elbows and length of duct work. Check if all joints are properly connected, sealed, and taped.
 - Make sure the power is on high speed for heavy cooking.
- Purpose of the slots/holes/openings near the top of the upper chimney:
 - These slots/holes/openings are used to exhaust cleaned air with optional re-circulating kit. If you did not install one, you do not need them.

NOTE: For all other inquiries, please contact your local reseller.

Use and Care Information

Operations:

- Read and understand all instructions and warnings in this manual before operating the appliance. Save these instructions for future reference.
- Always leave safety grills and filters in place. Without these components, operating blowers could catch on to hair, fingers and loose clothing.
- NEVER dispose cigarette ashes, ignitable substances, or any foreign objects into blowers.
- NEVER leave cooking unattended. When frying, oil in the pan can easily overheat and catch fire. The risk of self combustion is higher when the oil has been used several times.
- NEVER cook on “open” flames under the range hood. Check deep-fryers during use: Superheated oil may be flammable.

Cleaning:

- The saturation of greasy residue in the blower and filters may cause increased inflammability. Keep unit clean and free of grease and residue build-up at all times to prevent possible fires.
- Filters must be cleaned periodically and free from accumulation of cooking residue (see *cleaning instructions* on Page 19). Old and worn filters must be replaced immediately.
- Do not operate blowers when filters are removed. Never disassemble parts to clean without proper instructions. Disassembly is recommended to be performed by qualified personnel only. Read and understand all instructions and warnings in this manual before proceeding.

Specifications

Specifications:	
Body	Stainless Steel
Power Rating	110V/60Hz
General Input Power	236 W (230W + 2x3W)
Motor Input Power	230 W
Motor Revolution	900 RPM ($\pm 10\%$) to 1300 RPM ($\pm 10\%$)
Levels Of Speed Control	4 Levels
Maximum Airflow	900 CFM
Air Pressure	150 Pa (200 Pa Maximum)
Noise Level dB	Approximately 28 to 64 (Lowest to Highest Speed)
Motor Type	Single Chamber Ultra Quiet
Fan Type	Centrifugal / Sirocco
Control Type	Four-speed Gesture Sensing & Touch Control Switch Panel
Filtration Type	Stainless Steel Baffle Filter
Illumination	LED 3W Type 120V
Venting Size	Top, 6 Inches Round
Interference Protection	Radio Frequency Interference Protected

* Subject to change without notice, please contact your local reseller for details.

Maintenance

SAFETY WARNING: Never put your hand into area housing the fan while the fan is operating!

For optimal operation, clean range hood and all baffle/spacer/filter/grease tunnel/oil container regularly. Regular care will help preserve the appearance of the range hood.

Cleaning Exterior surfaces:

- Clean periodically with hot soapy water and clean cotton cloth. Do not use corrosive or abrasive detergent (e.g. Comet Power Scrub®, EZ-Off® oven cleaner), or steel wool/scoring pads, which will scratch and damage the stainless steel surface. For heavier soil use liquid degrease such as “Formula 409®” or “Fantastic®” brand cleaner.
- If hood looks splotchy (stainless steel hood), use a stainless steel cleaner to clean the surface of the hood. Avoid getting cleaning solution onto or into the control panel. Follow directions of the stainless steel cleaner. **CAUTION: Do not leave on too long as this may cause damage to hood finish.** Use soft towel to wipe off the cleaning solution, gently rub off any stubborn spots. Use dry soft towel to dry the hood.
- After cleaning, you may use non abrasive stainless steel polish such as 3M® or ZEP®, to polish and buff out the stainless luster and grain. Always scrub lightly, with clean cotton cloth, and with the grain.
- DO NOT allow deposits to accumulate or remain on the hood.
- DO NOT use ordinary steel wool or steel brushes. Small bits of steel may adhere to the surface and cause rusting.
- DO NOT allow salt solutions, disinfectants, bleaches, or cleaning compounds to remain in contact with stainless steel for extended periods. Many of these compounds contain chemicals, which may be harmful. Rinse with water after exposure and wipe dry with a clean cloth.

Cleaning Aluminum Grease Filter / Stainless Steel Filterless Grill:

IMPORTANT: Drain oil from oil containers before oil and residue overflow!

- The metal filters fitted by the factory are intended to filter out residue and grease from cooking. It need not be replaced on a regular basis but are required to be kept clean.
- Filters should be cleaned after every 30 hours of use.
- Remove and clean by hand. Spray “Formula 409®” or equivalent degreasing detergent and leave to soak if heavily soiled. Dry filters and re-install before using hood.

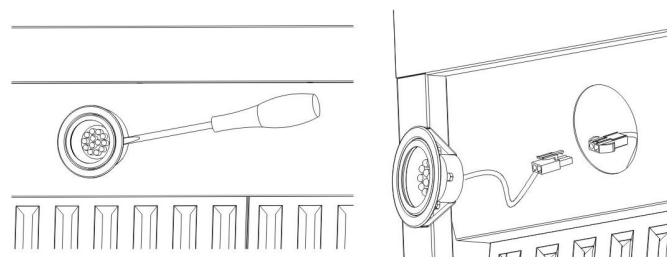
Replacing Filters:

- Should filters wear out due to age and prolonged use, please contact your local reseller for replacement filters.
- Note: Also replace damaged filter that has punctured or broken mesh, bent or broken frame.

- Make sure the range hood is unplugged or turn OFF breaker.
- Make sure the lights are cool to touch, carefully align the arrow on the inner ring with the arrow on the outer ring where it says OPEN. The inner ring will loosen and the light bulb will be available for removal. Install a new halogen light bulb and reverse the steps.
- Turn ON breaker and range hood to test for operation.

Replacing the light bulb:

- This range hood uses LED bulb: 3W 12V.
- Make sure the range hood is unplugged or turn OFF breaker.
 1. Gently pull defective bulb straight out and discard.
 2. Connect the LED lamps wires.
- Turn ON breaker and range hood to test for operation.



Warranty

TO OBTAIN SERVICE UNDER WARRANTY:

You must present proof of original purchase date.

Please provide an original dated proof of purchase (sales receipt / invoice) in order to obtain service under warranty.

One Year Parts Warranty:

For one year from the date of original purchase, your local reseller will provide free of charge, non-consumable replacement parts or components that failed due to manufacturing defects. Subject to the conditions and limitations set forth below, your local reseller will, at its option, either repair or replace any part of its products that prove defective by reason of improper workmanship or materials. Repaired parts or replacement products will be provided by your local reseller on an exchange basis, and will be either new or refurbished to be functionally equivalent to new. The consumer is re-sponsible for all shipping costs. Consumable parts not covered by this warranty include but not limited to: Light bulbs, metal, aluminum and charcoal filters.

Who is Covered:

This warranty is extended to the original purchaser for products purchased for ordinary home use.

This Warranty Will Be Voided When:

Product damaged through negligence, improper installation, accident, abuse, misuse, natural disaster, insufficient or excessive electrical supply, abnormal mechanical or environmental conditions, or any unauthorized disassembly, repair, modification, or failure to follow installation instructions. When product is used commercially or other than its intended purpose. Damaged because of improper connection with equipment of other manufacturers. Repaired or modified by anyone other than your local reseller's authorized agents. This limited warranty also does not apply to any product on which the original identification information has been altered, obliterated or removed, has not been handled or packaged correctly or has been sold as second-hand.

What is Not Covered:

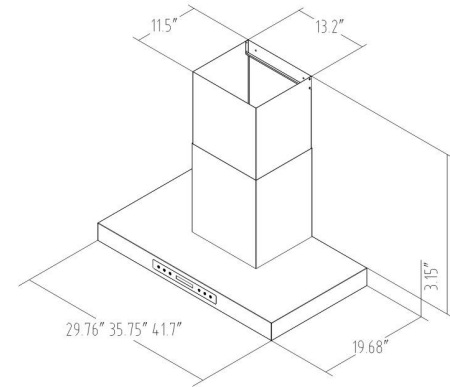
Consumable parts such as light bulbs, metal and charcoal filters. The natural wear of finish, and wear due to improper maintenance, use of corrosive and abrasive cleaning products, pads, and oven cleaner products. Chips, dents or cracks due to abuse, misuse, freight damage, or improper installation. Damage of product caused by accident, fire, floods or act of God. The manufacturer and/or distributor/reseller is not liable for, and does not cover under warranty, any loss of properties or any costs associated with removing, servicing, installing, or determining the source of problems with this product.

This warranty is valid in the country of the original purchase at retail. It is non-transferable and applies only to the original purchaser and does not extend to subsequent owners of this product. Any applicable implied warranties, including the warranty of merchantability, are limited in duration to a period of express warranty as provided herein beginning with the date of original purchase at retail and, no warranties, whether express or implied, shall apply to this product thereafter.

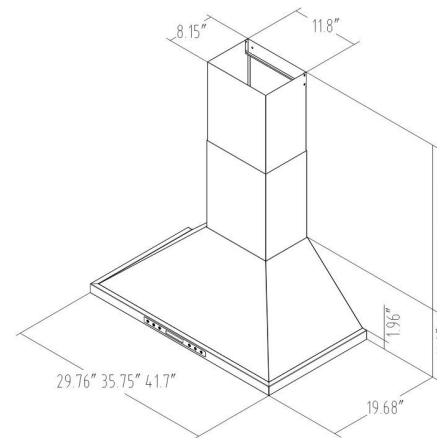
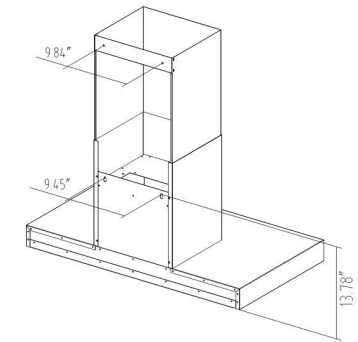
To obtain warranty service, you may contact your local reseller from which you purchased this product. Please confirm the terms of your local reseller's policies prior to contacting. Typically, you must include product identification information, including model number and serial number with a detailed description of the problem you are experiencing. You must also include proof of the date of original retail purchase as evidence that the product is within the applicable warranty period.

Measurements and Diagrams (Continued)

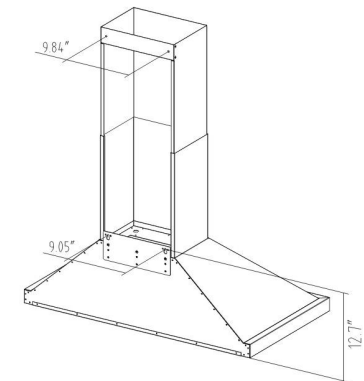
- All inch measurements are converted from millimeters, thus inch measurements are estimated.
- Overall:**

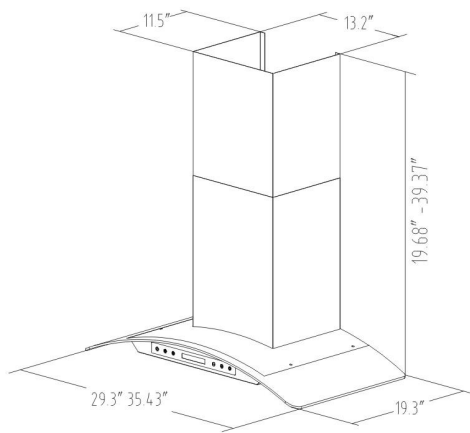


IKP01

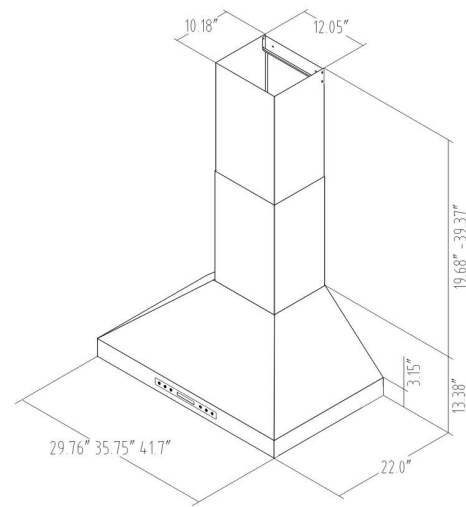
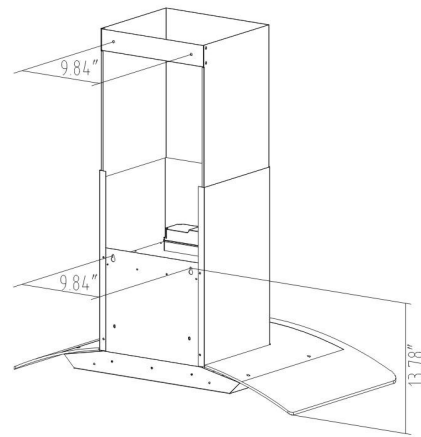


IKP02

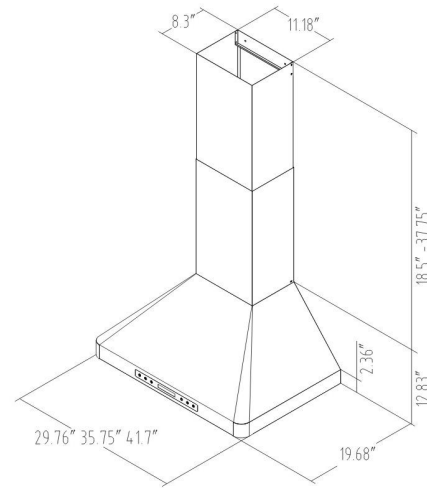
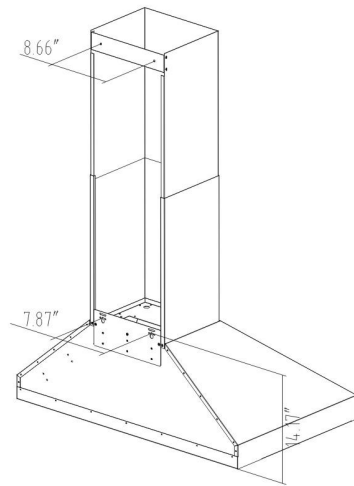




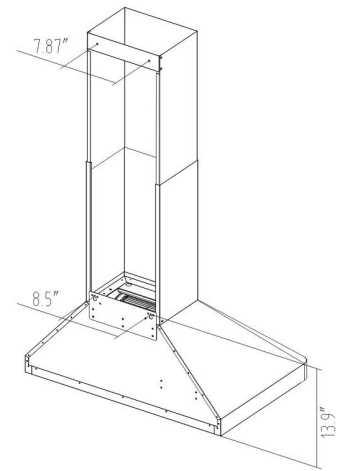
IKP03



IKP04



IKP02-R



IKP01

EXPLODED DIAGRAM

