

# **VEVOR<sup>®</sup>**

## **TOUGH TOOLS, HALF PRICE**

Technical Support and E-Warranty Certificate [www.vevor.com/support](http://www.vevor.com/support)

### **PLANER**

**MODEL:DB18V-821**

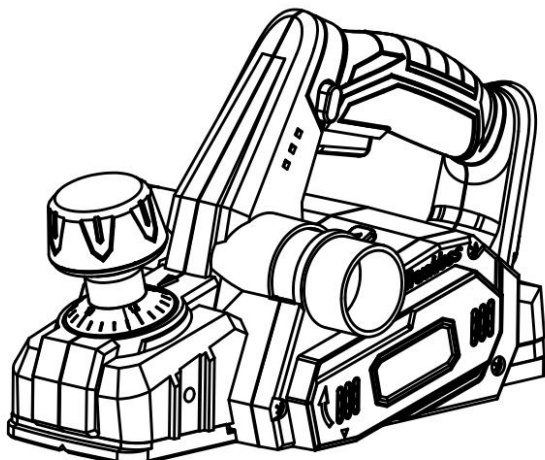
We continue to be committed to provide you tools with competitive price. "Save Half", "Half Price" or any other similar expressions used by us only represents an estimate of savings you might benefit from buying certain tools with us compared to the major top brands and does not necessarily mean to cover all categories of tools offered by us. You are kindly reminded to verify carefully when you are placing an order with us if you are actually saving half in comparison with the top major brands.


# VEVOR<sup>®</sup>

TOUGH TOOLS, HALF PRICE

PLANER

MODEL:DB18V-821



 **WARNING:** To reduce the risk of injury, the user must read and understand the operator's manual before using this product.

## NEED HELP? CONTACT US!

Have product questions? Need technical support? Please feel free to contact us:

**Technical Support and E-Warranty Certificate**

**[www.vevor.com/support](http://www.vevor.com/support)**

This is the original instruction, please read all manual instructions carefully before operating. VEVOR reserves a clear interpretation of our user manual. The appearance of the product shall be subject to the product you received. Please forgive us that we won't inform you again if there are any technology or software updates on our product.

## TABLE OF CONTENTS

※General Power Tool Safety Warnings.....	03
※Planer Safety Warnings.....	06
※Symbols.....	08
※Features.....	10
※Assembly.....	10
※Operation.....	11
※Accessories.....	26

## GENERAL POWER TOOL SAFETY WARNINGS

### **WARNING**

Read all safety warnings and all instructions. Failure to follow the warnings and instructions may result in electric shock, fire and/or serious injury.

#### **Save all warnings and instructions for future reference.**

The term "power tool" in the warnings refers to your mains-operated (corded) power tool or battery-operated (cordless) power tool.

#### **WORK AREA SAFETY**

- Keep work area clean and well lit. Cluttered or dark areas invite accidents.
- Do not operate power tools in explosive atmospheres, such as in the presence of flammable liquids, gases or dust. Power tools create sparks that may ignite the dust or fumes.
- Keep children and bystanders away while operating a power tool. Distractions can cause you to lose control.

#### **ELECTRICAL SAFETY**

- Power tool plugs must match the outlet. Never modify the plug in any way. Do not use any adapter plugs with earthed (grounded) power tools. Unmodified plugs and matching outlets will reduce risk of electric shock.
- Avoid body contact with earthed or grounded surfaces such as pipes, radiators, ranges and refrigerators. There is an increased risk of electric shock if your body is earthed or grounded.
- Do not expose power tools to rain or wet conditions. Water entering a power tool will increase the risk of electric shock.
- Do not abuse the cord. Never use the cord for carrying, pulling or unplugging the power tool. Keep cord away from heat, oil, sharp edges or moving parts. Damaged or entangled cords increase the risk of electric shock.

- When operating a power tool outdoors, use an extension cord suitable for outdoor use. Use of a cord suitable for outdoor use reduces the risk of electric shock.
- If operating a power tool in a damp location is unavoidable, use a ground fault circuit interrupter (GFCI) protected supply. Use of a GFCI reduces the risk of electric shock.
- Use this product only with batteries and chargers listed in tool/ appliance/ battery pack/ charger correlation supplement 987000-432.

## **PERSONAL SAFETY**

- Stay alert, watch what you are doing and use common sense when operating a power tool. Do not use a power tool while you are tired or under the influence of drugs, alcohol or medication. A moment of inattention while operating power tools may result in serious personal injury.
- Use personal protective equipment. Always wear eye protection. Protective equipment such as dust mask, non-skid safety shoes, hard hat, or hearing protection used for appropriate conditions will reduce personal injuries.
- Prevent unintentional starting. Ensure the switch is in the off-position before connecting to power source and/or battery pack, picking up or carrying the tool.  
Carrying power tools with your finger on the switch or energizing power tools that have the switch on invites accidents.
- Remove any adjusting key or wrench before turning the power tool on. A wrench or a key left attached to a rotating part of the power tool may result in personal injury.
- Do not overreach. Keep proper footing and balance at all times. This enables better control of the power tool in unexpected situations.
- Dress properly. Do not wear loose clothing or jewellery. Keep your hair, clothing and gloves away from moving parts. Loose clothes, jewellery or long hair can be caught in moving parts.
- If devices are provided for the connection of dust extraction and

collection facilities, ensure these are connected and properly used. Use of dust collection can reduce dust-related hazards.

- Do not wear loose clothing or jewelry. Contain long hair. Loose clothes, jewelry, or long hair can be drawn into air vents.
- Do not use a ladder or unstable support. Stable footing on a solid surface enables better control of the power tool in unexpected situations.

## **POWER TOOL USE AND CARE**

- Do not force the power tool. Use the correct power tool for your application. The correct power tool will do the job better and safer at the rate for which it was designed.
- Do not use the power tool if the switch does not turn on and off. Any power tool that cannot be controlled with the switch is dangerous and must be repaired.
- Disconnect the plug from the power source and/or the battery pack from the power tool before making any adjustments, changing accessories, or storing power tools. Such preventive safety measures reduce the risk of starting the power tool accidentally.
- Store idle power tools out of the reach of children and do not allow persons unfamiliar with the power tool or these instructions to operate the power tool. Power tools are dangerous in the hands of untrained users.
- Maintain power tools. Check for misalignment or binding of moving parts, breakage of parts and any other condition that may affect the power tool's operation. If damaged, have the power tool repaired before use. Many accidents are caused by poorly maintained power tools.
- Keep cutting tools sharp and clean. Properly maintained cutting tools with sharp cutting edges are less likely to bind and are easier to control.
- Use the power tool, accessories, tool bits, etc., in accordance with these instructions, taking into account the working conditions and the work to be performed. Use of the power tool for operations different from those intended could result in a hazardous situation.

## **BATTERY TOOL USE AND CARE**

- Recharge only with the charger specified by the manufacturer. A charger that is suitable for one type of battery pack may create a risk of fire when used with another battery pack.
- Use power tools only with specifically designated battery packs. Use of any other battery packs may create a risk of injury and fire.
- When battery pack is not in use, keep it away from other metal objects, like paper clips, coins, keys, nails, screws or other small metal objects, that can make a connection from one terminal to another. Shorting the battery terminals together may cause burns or a fire.
- Under abusive conditions, liquid may be ejected from the battery; avoid contact. If contact accidentally occurs, flush with water. If liquid contacts eyes, additionally seek medical help. Liquid ejected from the battery may cause irritation or burns.

## **SERVICE**

- Have your power tool serviced by a qualified repair person using only identical replacement parts. This will ensure that the safety of the power tool is maintained.
- When servicing a power tool, use only identical replacement parts. Follow instructions in the Maintenance section of this manual. Use of unauthorized parts or failure to follow Maintenance instructions may create a risk of shock or injury.

## **PLANER SAFETY WARNINGS**

- Wait for the cutter to stop before setting the tool down. An exposed rotating cutter may engage the surface leading to possible loss of control and serious injury.
- Use clamps or another practical way to secure and support the workpiece to a stable platform. Holding the work by hand or against the body leaves it unstable and may lead to loss of control.
- Hold the power tool by insulated gripping surfaces only.




- Know your power tool. Read operator's manual carefully. Learn its applications and limitations, as well as the specific potential hazards related to this power tool. Following this rule will reduce the risk of electric shock, fire, or serious injury.
- Always wear eye protection with side shields marked to comply with ANSI Z87.1. Following this rule will reduce the risk of serious personal injury.
- Protect your lungs. Wear a face or dust mask if the operation is dusty. Following this rule will reduce the risk of serious personal injury.
- Protect your hearing. Wear hearing protection during extended periods of operation. Following this rule will reduce the risk of serious personal injury.
- Battery tools do not have to be plugged into an electrical outlet; therefore, they are always in operating condition. Be aware of possible hazards when not using your battery tool or when changing accessories. Following this rule will reduce the risk of electric shock, fire, or serious personal injury.
- Do not place battery tools or their batteries near fire or heat. This will reduce the risk of explosion and possibly injury.
- Do not crush, drop or damage battery pack. Do not use a battery pack or charger that has been dropped or received a sharp blow. A damaged battery is subject to explosion. Properly dispose of a dropped or damaged battery immediately.
- Batteries can explode in the presence of a source of ignition, such as a pilot light. To reduce the risk of serious personal injury, never use any cordless product in the presence of open flame. An exploded battery can propel debris and chemicals. If exposed, flush with water immediately.
- Do not charge battery tool in a damp or wet location. Do not use, store, or charge battery packs or products in locations where the temperature is less than 50° For more than 100°F. Do not store outside or in vehicles.
- Under extreme usage or temperature conditions, battery leakage may occur. If liquid comes in contact with your skin, wash immediately with soap and water. If liquid gets into your eyes, flush them with clean water for at least 10 minutes, then seek immediate medical attention. Following

this rule will reduce the risk of serious personal injury.




- Save these instructions. Refer to them frequently and use them to instruct others who may use this tool. If you loan someone this tool, loan them these instructions also.








## SYMBOLS

The following signal words and meanings are intended to explain the levels of risk associated with this product.

SYMBOL	SIGNAL	MEANING
	DANGER	Indicates a hazardous situation, which, if not avoided, will result in death or serious injury
	WARNING	Indicates a hazardous situation, which, if not avoided, could result in death or serious injury
	CAUTION	Indicates a hazardous situation, which, if not avoided, could result in death or serious injury
	NOTICE:	(Without Safety Alert Symbol) Indicates information considered important, but not related to a potential injury (e.g. messages relating to property damage).

Some of the following symbols may be used on this product. Please study them and learn their meaning. Proper interpretation of these symbols will allow you to operate the product better and safer.

SYMBOL	SIGNAL	MEANING
	Safety Alert	Indicates a potential personal injury hazard
	Read Operator's Manual	To reduce the risk of injury, user must read and understand operator's manual before using this product.
	Eye Protection	Always wear eye protection with side shields marked to comply with ANSI Z87.1

	Ear Protection	Always wear ear protectors when using this product.
	Wear dust masks	Always wear dust masks when using this product.
	Wet Conditions Alert	Do not expose to rain or use in damp locations
	No Hands Symbol	Failure to keep your hands away from the blade will result in serious personal injury.
	Recycle Symbol	This product uses lithium-ion (Li-ion) batteries. Local, state or federal laws may prohibit disposal of batteries in ordinary trash. Consult your local waste authority for information regarding available recycling and/or disposal options.
	Correct Disposal	This product is subject to the provision of European Directive 2012/19/EC. The symbol showing a wheelie bin crossed through indicates that the product requires separate refuse collection in the European Union. This applies to the product and all accessories marked with this symbol. Products marked as such may not be discarded with normal domestic waste, but must be taken to a collection point for recycling electrical and electronic devices
	FCC statement	This device complies with Part 15 of the FCC Rules. Operation is subject to the following two conditions:(1)This device may not cause harmful interference, and (2)this device must accept any interference received, including interference that may cause undesired operation.
V	Volts	Voltage
Hz	Hertz	Frequency (cycles per second)
min	Minutes	Time
$n_0$	No Load Speed	Rotational speed, at no load
.../min	Per Minute	Revolutions, strokes, surface speed, orbits etc., per minute.

## FEATURES

### PRODUCT SPECIFICATIONS

<b>Model</b>	<b>DB18V-821</b>
Rated Voltage	18V
No-load speed	16000/min
Max planing width	82 MM
Max planing depth	2 MM
Max Rabbeting depth	8 MM
Motor type	Brushless
Net weight	2.5 KGS

## ASSEMBLY

### **WARNING:**

Do not use this product if it is not completely assembled or if any parts appear to be missing or damaged. Use of a product that is not properly and completely assembled or with damaged or missing parts could result in serious personal injury.

### **WARNING:**

Do not attempt to modify this product or create accessories or attachments not recommended for use with this product. Any such alteration or modification is misused and could result in a hazardous condition leading to possible serious personal injury.

## OPERATION

### **WARNING:**

Do not allow familiarity with tools to make you careless. Remember that a careless fraction of a second is sufficient to inflict serious injury.

### **WARNING:**

Always remove battery pack from the tool when you are assembling parts, making adjustments, cleaning, or when not in use. Removing battery pack will prevent accidental starting that could cause serious personal injury.

### **WARNING:**

Always wear eye protection with side shields marked to comply with ANSI Z87.1. Failure to do so could result in objects being thrown into your eyes resulting in possible serious injury.

### **WARNING:**

Do not use any attachments or accessories not recommended by the manufacturer of this product. The use of attachments or accessories not recommended can result in serious personal injury.

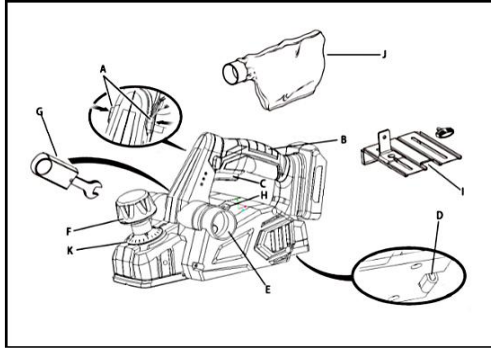
### **Attention:**

When planning too fast or too deep, it will cause equipment overload protection and shorten battery life. Please control the planning speed and depth reasonably.

## APPLICATIONS

You may use this tool for the purposes listed below:

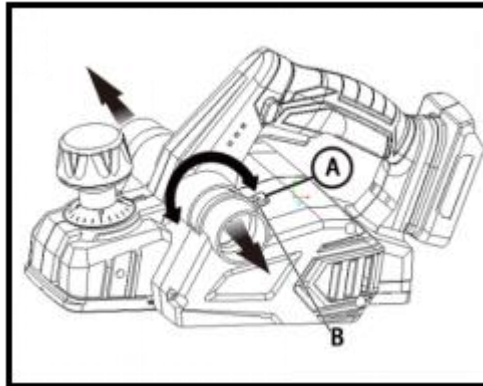
- Planing the edge of a wooden door or shelf
- Planing the edge of a piece of lumber
- Making rabbet cuts in wood
- Chamfering sharp edges of lumber



## ADJUSTING THE EXHAUST DIRECTION

### **WARNING:**

Collected dust from planing surface coatings such as polyurethanes, linseed oil, etc., can self-ignite in the planer dust bag or elsewhere and cause fire. To reduce the risk of fire, always empty the dust bag frequently while planing. NEVER store or leave a planer without totally emptying its dust bag. Also follow the recommendations of the coatings manufacturers.



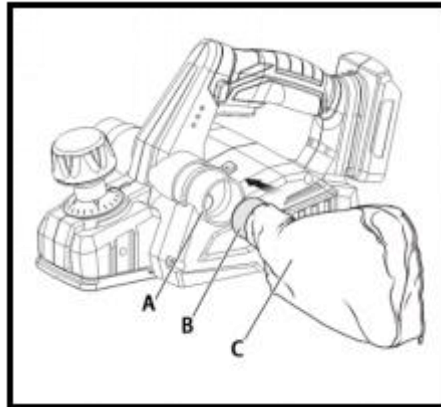
Change the direction of the exhaust to either the right or left to control the direction of debris when working in confined areas.

**To adjust the exhaust direction and dust bag:**

- Remove the battery pack.
- To adjust exhaust to the right: Move the exhaust direction lever so the arrow points right (the handle will point left). Install the dust bag on the right exhaust port.
- To adjust exhaust to the left: Move the exhaust direction lever so the arrow points left (the handle will point right). Install the dust bag on the left exhaust port.

NOTE: Check that the dust bag is attached to the same port selected by the exhaust direction lever.

**ATTACHING THE DUST BAG**



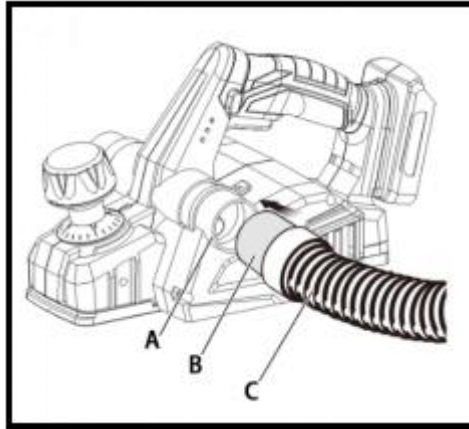
- Remove the battery pack.
- Slide the collar of the dust bag onto the exhaust port.

NOTE: To remove the dust bag, pull it straight out of the exhaust port.

**! NOTICE:**

The dust bag fills quickly. Empty it often to prevent damage to the product.

## ATTACHING THE PLANER TO A VACUUM



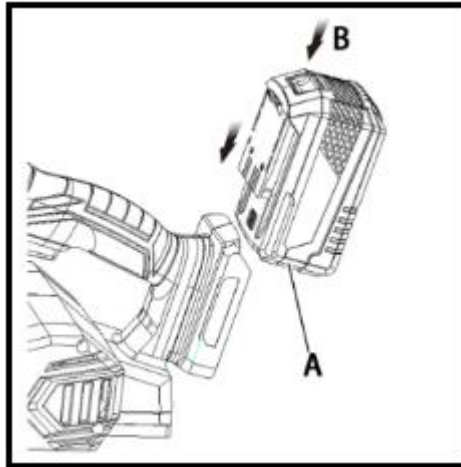
The chip collection system of the planer has a 1-1/4 in. port for inserting a vacuum hose.

- Remove the battery pack. Remove the dust bag.
- Attach a vacuum hose to the left or right chip exhaust.
- Set exhaust direction lever to the selected exhaust port.
- Connect the vacuum to a power supply.
- Turn vacuum on before starting cut.

### **WARNING:**

When the tool is not connected to vacuum, always reinstall the dust bag back onto the tool. Failure to do so could cause dust or foreign objects to be thrown into your face or eyes, which could result in possible serious injury.

## INSTALLING/REMOVING BATTERY PACK

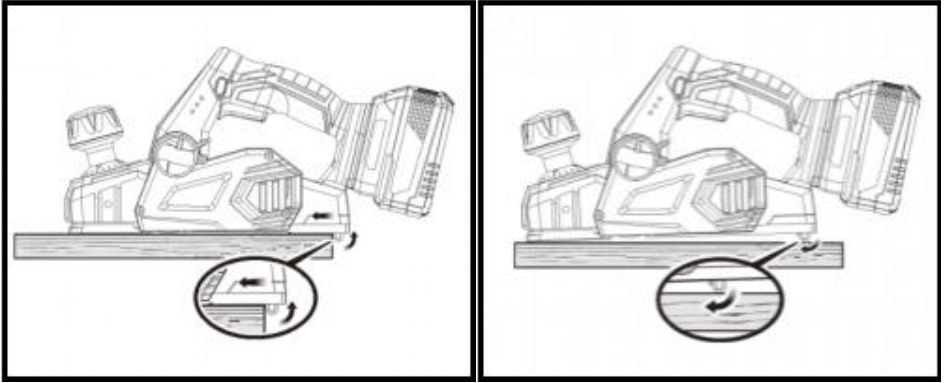


- Lock the switch trigger.
- Insert the battery pack into the product as shown.
- Make sure the latches on each side of the battery pack snap into place and the battery pack is secured in the product before beginning operation.
- Depress the latches to remove the battery pack.
- For complete charging instructions, see the operator's manuals for your battery pack and charger.

## STARTING/STOPPING THE PLANER

- To start the planer: Push the lock-off button from either side, and then depress the switch trigger.
- To stop the planer: Release the switch trigger.

## KICKSTAND

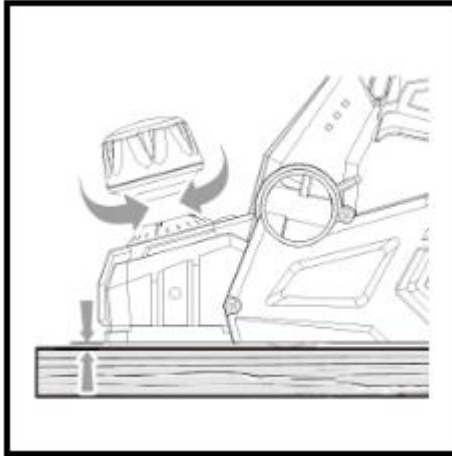


The planer has been equipped with an automatic pivoting kickstand that will prevent the blades from contacting the workbench when not in use. As you begin the planing operation, the kickstand will automatically retract as it passes over the edge of the workpiece. When setting the planer down on the workbench, the kickstand will automatically pivot down to prevent the blade from making any contact.

### **WARNING:**

Make sure the kickstand operates freely at all times and that the area surrounding the kickstand is clear of debris. Failure to do so could result in serious personal injury.

## PLANING DEPTH



When you begin planing a rough piece of material, the planer will only remove the high spots at first. Successive passes will remove more and more material. By removing no more than 1/64 in. with each pass, you will achieve the smoothest finish, even from the roughest workpiece. Always begin by making test cuts in scrap wood to make sure that the planer is removing the desired amount of wood.

### To set the planning depth:

- Remove the battery pack.
- Turn the depth adjustment knob clockwise to set the desired depth of cut. The maximum depth of cut is 1/16 in.

**NOTE:** Use only detented depth settings. Attempting cuts with the depth of cut settings between the detented positions can result in uneven cuts.

**NOTE:** To protect the blades during storage, transporting, etc., turn the depth adjustment knob counterclockwise top on the depth of cut scale to park the blade.

### **WARNING:**

Always clamp the workpiece securely before making a cut. Work moving during a cut could result in loss of control of the planer and cause serious

injury.

- Clamp the work securely.
- Be sure the material to be planned is free of nails, staples, or screws.
- Support the work so that the operation is on your side.

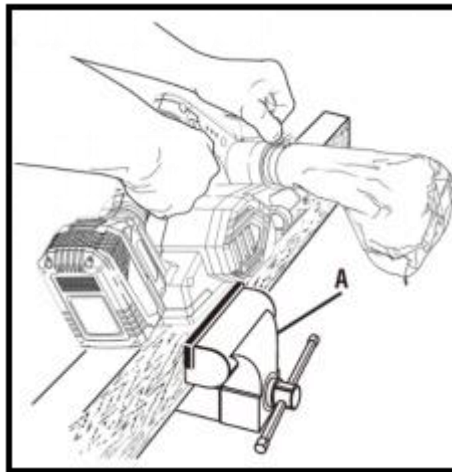
**NOTICE:**

Planing too fast results in a poor finish and increases chip build-up in the chip exhaust. Chip build-up restricts airflow and can cause motor overheating.

**WARNING:**

Do not attempt to clear a blocked chip exhaust until the blades stop and you have disconnected the product from the power source. Failure to heed this warning can result in serious personal injury.

**PLANING**



- Clamp the work securely
- Adjust the planing depth. Refer to Planing Depth earlier in this manual.
- Hold the depth adjustment knob with one hand and the handle with your other hand.



## **WARNING:**

Always use two hands on the tool for any operation; this assures that you maintain control and avoid risk of serious personal injury. Always properly support and clamp the work so that both hands are free to control the planer.

Never operate the tool overhead or inverted from the proper operating position; serious personal injury may result.

- Place the front shoe on the edge of work to be planned.  
NOTE: Make sure the blades are not touching the work.
- Apply pressure to the depth adjustment knob so that the front shoe is completely flat on the work. Start the planer and let the motor reach maximum speed.
- Hold the planer firmly and push it forward into the work, using a slow, steady motion. Plane slowly and empty the dust bag often.
- Apply downward pressure toward the rear handle as you reach the end of the planned cut. This helps keep the rear section of the planer base in contact with the work and prevents the front of the planer from gouging the cut.



## **WARNING:**

Be careful to avoid hitting nails or staples during planing operation; this action could nick, crack, or damage blades.

NOTE: We suggest that you always keep an extra set of blades on hand. As soon as the blades in the planer show signs of becoming dull, replace them. The blades are reversible and can be reversed until both sides become dull.

## **CHAMFERING**

The planer is designed with a chamfering groove in the front shoe to chamfer corners of boards as shown. Before making a cut on good lumber,

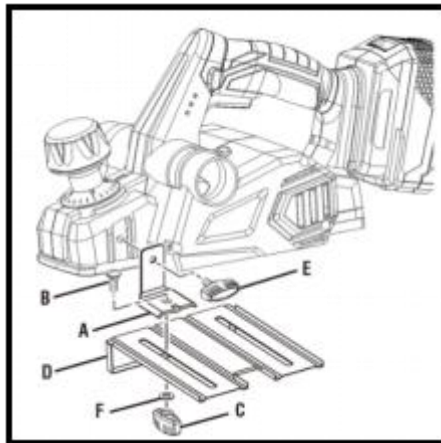
practice cutting on scrap lumber to determine the amount to be removed.

- Clamp the work securely.
- Hold the depth adjustment knob with one hand and the handle with your other hand.
- Place the chamfering groove on the surface to be cut.
- Start the planer and let the motor reach maximum speed.
- Hold the planer firmly and push it forward into the work, using a slow, steady motion.
- Apply downward pressure to keep the planer flat at the beginning and the end of the work surface.

## PLANING EDGES AND MAKING RABBET CUTS

The planer comes with an adjustable edge guide for precision edge planing and rabbet cutting. Attach the edge guide to either side of the planer for planing edges and attach the edge guide to the left side for making rabbet cuts.

## ATTACHING THE EDGE GUIDE FOR PLANING EDGES



Remove the battery pack.

- Attach the bracket to the desired side of the planer and tighten the knob bolt securely.

- Attach the edge guide to the bracket using the knob nut and the carriage head bolt.
- Tighten the knob nut securely.

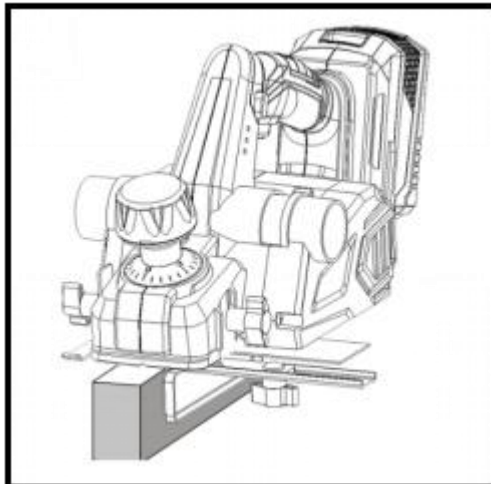
## **PLANING EDGES**

Follow the directions in the Planning section earlier in this manual. Hold the edge guide firmly against the edge of the work surface.

## **ATTACHING THE EDGE GUIDE FOR MAKING RABBET CUTS**

- Remove the battery pack.
- Attach the bracket to the left side of the planer and tighten the knob bolt securely.
- Attach the edge guide loosely to the bracket using the knob nut and the carriage head bolt (do not tighten).
- Adjust the edge guide to the desired width for the rabbet cut.
- Tighten the knob nut securely.

## **TO MAKE RABBET CUTS**



Follow the directions in the Planning section earlier in this manual. Rest the edge guide firmly against the edge of the work surface.

The depth of the rabbet is determined by the depth of the cut and the number of passes made along the work surface.

The maximum depth of the rabbet cut is 1/2 in. and has to be cut in 1/16 in. passes or less to reach the desired depth. The width of the rabbet cut is adjustable by moving the edge guide.



**WARNING:**

When servicing, use only identical replacement parts. Use of any other parts may create a hazard or cause product damage.



**WARNING:**

Always wear eye protection with side shields marked to comply with ANSI Z87.1. Failure to do so could result in objects being thrown into your eyes resulting in possible serious injury.

## **GENERAL MAINTENANCE**

Avoid using solvents when cleaning plastic parts. Most plastics are susceptible to damage from various types of commercial solvents and may be damaged by their use. Use clean cloths to remove dirt, dust, oil, grease, etc.



**WARNING:**

Do not at any time let brake fluids, gasoline, petroleum based products, penetrating oils, etc., come in contact with plastic parts. Chemicals can damage, weaken or destroy plastic which may result in serious personal injury.

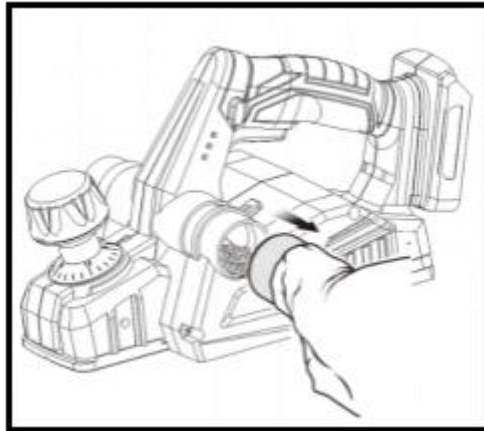
Electric tools used on fiberglass material, wallboard, spackling compounds, or plaster are subject to accelerated wear and possible premature failure

because the fiberglass chips and grindings are highly abrasive to bearings, brushes, commutators, etc. Consequently, we do not recommend using this tool for extended work on these types of materials. However, if you do work with any of these materials, it is extremely important to clean the tool using compressed air.

## **LUBRICATION**

All of the bearings in this tool are lubricated with a sufficient amount of high grade lubricant for the life of the unit under normal operating conditions. Therefore, no further lubrication is required.

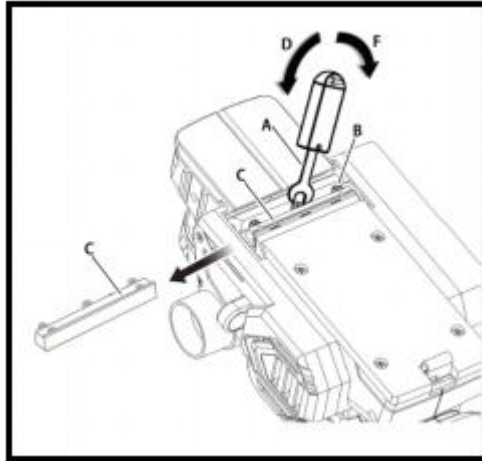
## **CLEANING THE EXHAUST PORT AND EMPTYING THE DUST BAG**



After using the planer for an extended period of time or when planing wet or green lumber, chips may build-up in the exhaust port and require cleaning. Chip build up restricts airflow and causes the motor to overheat. Clean the exhaust port and empty the dust bag regularly.

- Remove the battery pack.
- Remove the dust bag from the exhaust port.
- Clean the chip or dust build-up from the exhaust port of the planer with a small piece of wood. Do not use your hands or fingers.
- Empty all debris from the dust bag and ensure that the collar is free of debris.
- Replace the dust bag.

## REPLACING BLADES



The planer blades are reversible. When one edge becomes dull, the blade can be reversed so that the other side can be used.

Always replace or reverse blades in pairs. Do not attempt to sharpen blades. If the blades in the planer show signs of becoming dull, chipped, or damaged in any way, replace them.

When replacing the blades, use recommended replacement blade only,

### **WARNING:**

Always wear heavy leather gloves and use caution when loosening blade screws and handling and/or changing blades. Blades are sharp and can cause serious personal injury.

- Remove the battery pack.
- Secure the planer in an upside-down position.
- Loosen the three screws securing the blade on the blade holder by turning counterclockwise with the provided blade wrench.

**NOTE:** Do not over-loosen the screws. If screws are too loose, alignment of the new blade will not be accurate.

**NOTE:** Before removing the old blades, take notice of the direction of cut as well as how the tapered edge of the old blades is oriented. The tapered edge of the new blades must be in the same orientation as the original blades, with the tapered edge on the same side as the screw heads and the flat edge facing the cutter block.

- Depress the spring-loaded blade guard.
- Push the blade holder out of the cutter block assembly using the tip of a screwdriver.
- Remove the old blade from the blade holder by sliding the blade out using the tip of a screwdriver.

**NOTE:** If blade cannot be easily pushed out of blade holder after loosening blade securing screws, use a block of wood to break the blade loose from the blade holder with a short sharp blow. Then push the blade with a screwdriver to remove it. If necessary, tap the block of wood sharply with a small hammer to break the blade loose.

- Clean any sawdust or wood chips from around the blade area.
- Slide the new blade into the slot of the blade holder.
- Use a screwdriver to push the blade into the blade holder until it is centered into position.
- Depress the spring-loaded blade guard.
- Insert the blade holder into the cutter block assembly.
- Retighten the three blade securing screws using the blade wrench.
- Repeat the above procedure to change the other blade.

## **REPLACING THE BELT**

When replacing the belt, use the recommended replacement belt only,

- Remove the battery pack.
- Remove belt cover screws.
- Remove the belt cover.
- Force the old belt from the small pulley by turning in the direction shown. As you turn the belt, pull and work it off the small pulley until it has been completely removed from both pulleys.
- Install the new belt over the small pulley, being sure to align the grooves. As you turn the belt, push and work it onto the large pulley until it is in

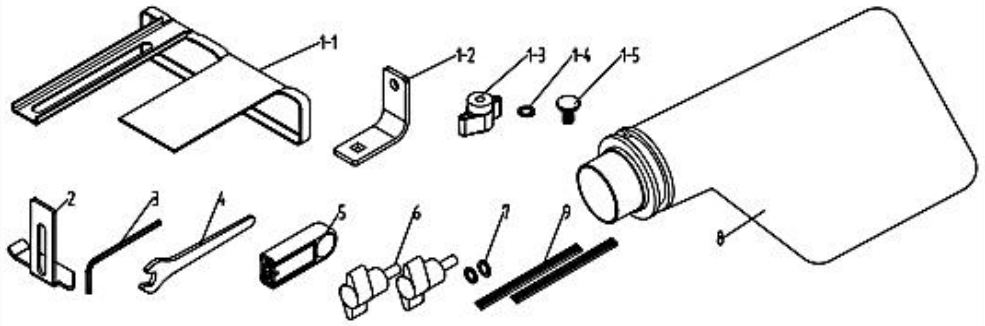
place.

- Replace the belt cover.
- Install belt cover screws and tighten securely.

NOTE: Do not overtighten the screws.

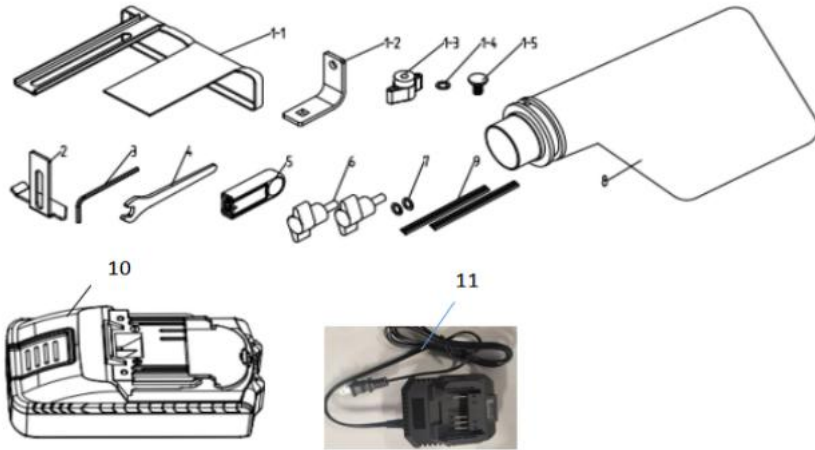
## ACCESSORIES

### ACCESSORIES--BRUSHLESS PLANER WITH COLOR BOX



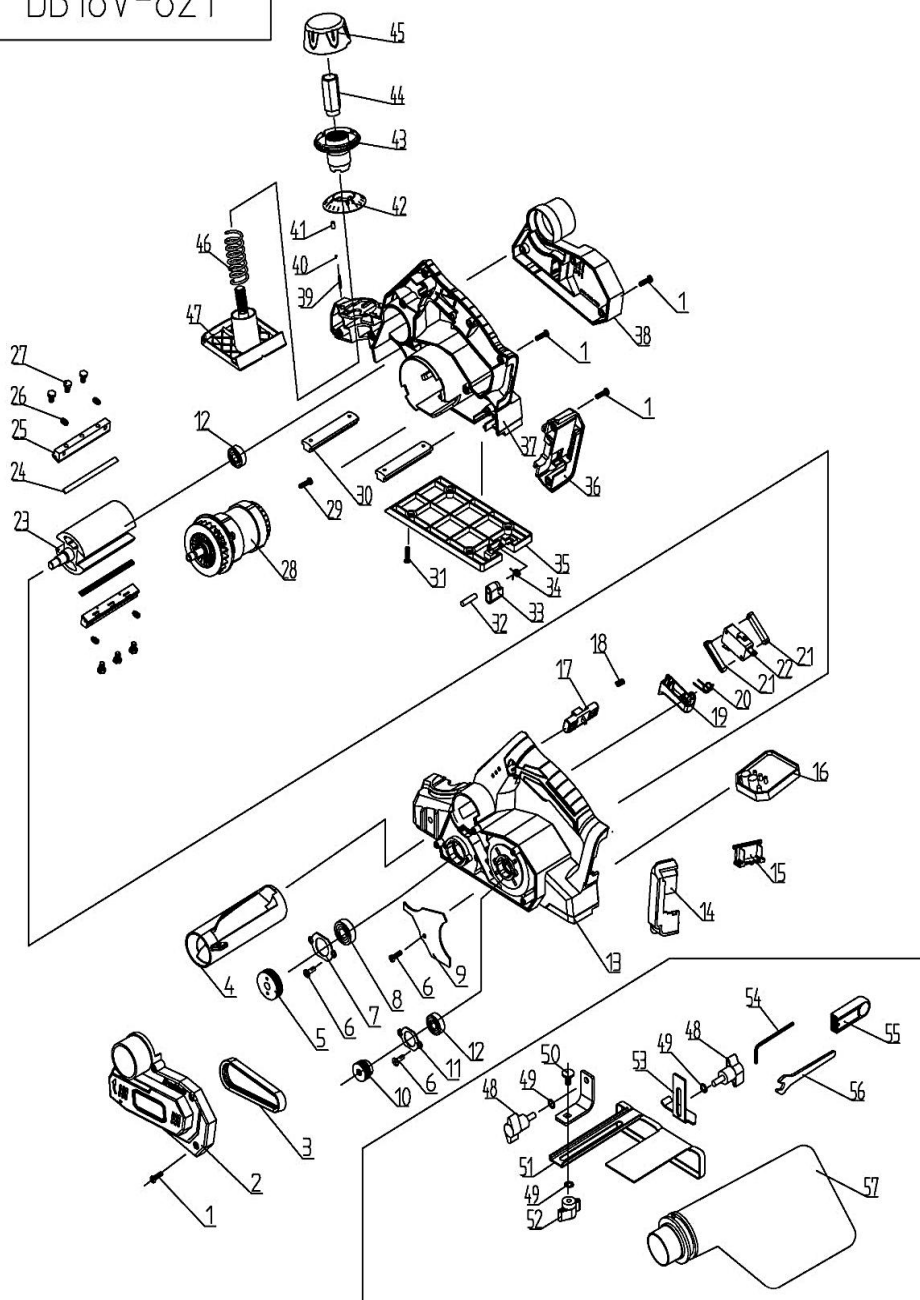
PART NO.	DESCRIPTION	QTY
1	Parallel Guide	
1-1	Parallel Guide	1 PC
1-2	Parallel Guider bracket	1 PC
1-3	Butterfly nut	1 PC
1-4	Flat washer	1 PC
1-5	Square neck bolts	1 PC
2	Depth Guide	1 PC
3	Inner hex wrench	1 PC
4	Spanner	1 PC
5	Wrench cover	1 PC
6	Butterfly screw	2 PCS
7	Flat washer	2 PCS
8	Dust bag	1 PC
9	Blade	1 SET

## ACCESSORIES--BRUSHLESS PLANER WITH BMC BOX



PART NO.	DESCRIPTION	QTY
1	Parallel Guide	
1-1	Parallel Guide	1 PC
1-2	Parallel Guider bracket	1 PC
1-3	Butterfly nut	1 PC
1-4	Flat washer	1 PC
1-5	Square neck bolts	1 PC
2	Depth Guide	1 PC
3	Inner hex wrench	1 PC
4	Spanner	1 PC
5	Wrench cover	1 PC
6	Butterfly screw	2 PCS
7	Flat washer	2 PCS
8	Dust bag	1 PC
9	Blade	1 SET
10	Battery	1 PC
11	changer	1 PC

# DB18V-821



## DB18V-821B

NO.	DESCRIPTION	QTY		NO.	DESCRIPTION	QTY	
1	TAPPING SCREW ST4*14	20	PCS	30	SUPPORT BOARD	2	PCS
2	BELT COVER	1	PCS	31	TAPPING SCREW ST4*12	4	PCS
3	BELT	1	PCS	32	CYLINDRICAL PIN 5*32	1	PCS
4	DUST TUBE	1	PCS	33	PARK REST	1	PCS
5	V-PULLEY (BIG)	1	PCS	34	TORSION SPRING	1	PCS
6	TAPPING SCREW ST4X12	5	PCS	35	BASE	1	PCS
7	BEARING COVER	1	PCS	36	BATTERY PIN COVER(2)	1	PCS
8	BALL BEARING 6000RS	1	PCS	37	RIGHT HOUSING	1	PCS
9	DUST BAFFLE	1	PCS	38	REAR COVER	1	PCS
10	V-PULLEY(SMALL)	1	PCS	39	TORSION SPRING	1	PCS
11	BEARING COVER	1	PCS	40	STEEL BALL 2.5	1	PCS
12	BALL BEARING 608RS	2	PCS	41	BULLET	1	PCS
13	LEFT HOUSING	1	PCS	42	DEPTH SCALE	1	PCS
14	BATTERY PIN COVER(1)	1	PCS	43	KNOB	1	PCS
15	BATTERY PIN	1	PCS	44	ADJUST NUT	1	PCS
16	PCB CONTROL BOARD	1	PCS	45	KNOB COVER	1	PCS
17	LOCK-OFF BUTTON	1	PCS	46	ADJUSTMENT SPRING	1	PCS
18	SPRING	1	PCS	47	FRONT BASE	1	PCS
19	BUTTON OF SWITCH	1	PCS	48	BUTTERFLY SCREW	2	PCS
20	TORSION SPRING	1	PCS	49	FLAT WASHER $\phi$ 6	3	PCS
21	SWITCH BASE	2	PCS	50	SQUARE NECK BOLT M6X12	1	PCS
22	SWITCH	1	PCS	51	EDGE GUIDE	1	PCS
23	ROLLER	1	PCS	52	BUTTERFLY NUT	1	PCS
24	BLADE	2	PCS	53	DEPTH GUIDER	1	PCS
25	BLADE HOLDER	2	PCS	54	INTERNAL HEX. WRENCH	1	PCS
26	SCREW M5*10	4	PCS	55	WRENCH STORAGE	1	PCS
27	HEX BOLT M5*8	6	PCS	56	WRENCH	1	PCS
28	BRUSHLESS MOTOR	1	PCS	57	DUST BAG	1	PCS
29	TAPPING SCREW ST4*10	2	PCS				

**Manufacturer:** Shanghaimuxinmuyeyouxiangongsi

**Address:** Shuangchenglu 803nong11hao1602A-1609shi, baoshanqu, shanghai 200000 CN.

**Imported to AUS:** SIHAO PTY LTD, 1 ROKEVA STREETEASTWOOD NSW 2122 Australia

**Imported to USA:** Sanven Technology Ltd., Suite 250, 9166 Anaheim Place, Rancho Cucamonga, CA 91730

<b>EC</b>	<b>REP</b>
-----------	------------

E-CrossStu GmbH  
Mainzer Landstr.69, 60329 Frankfurt am Main.

<b>UK</b>	<b>REP</b>
-----------	------------

YH CONSULTING LIMITED.  
C/O YH Consulting Limited Office 147, Centurion House,  
London Road, Staines-upon-Thames, Surrey, TW18 4AX

**VEVOR<sup>®</sup>**

**TOUGH TOOLS, HALF PRICE**

**Technical Support and E-Warranty Certificate**

**[www.vevor.com/support](http://www.vevor.com/support)**

# VEVOR<sup>®</sup>

## TOUGH TOOLS, HALF PRICE

Assistance technique et certificat de garantie électronique [www.vevor.com/support](http://www.vevor.com/support)

## PLANS

MODÈLE : DB18V-821

Nous continuons à nous engager à vous fournir des outils à des prix compétitifs.

« Économisez la moitié », « Moitié prix » ou toute autre expression similaire utilisée par nous ne représente qu'une estimation des économies que vous pourriez réaliser en achetant certains outils chez nous par rapport aux grandes marques et ne couvre pas nécessairement toutes les catégories d'outils que nous proposons.

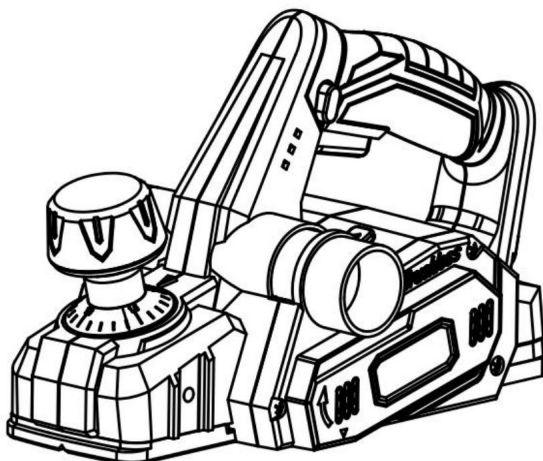
Nous vous rappelons de bien vouloir vérifier soigneusement lorsque vous passez une commande chez nous si vous économisez réellement la moitié par rapport aux grandes marques.

# VEVOR<sup>®</sup>

TOUGH TOOLS, HALF PRICE

PLANS

MODÈLE : DB18V-821



**AVERTISSEMENT** : Pour réduire le risque de blessure, l'utilisateur doit lire et

Veillez comprendre le manuel de l'opérateur avant d'utiliser ce produit.

## BESOIN D'AIDE? CONTACTEZ-NOUS!

Vous avez des questions sur nos produits ? Vous avez besoin d'assistance technique ? N'hésitez pas à nous contacter :

Assistance technique et certificat de garantie  
électronique [www.vevor.com/support](http://www.vevor.com/support)

Il s'agit de la notice d'utilisation d'origine. Veuillez lire attentivement toutes les instructions du manuel avant de l'utiliser. VEVOR se réserve le droit d'interpréter clairement notre manuel d'utilisation. L'apparence du produit dépend du produit que vous avez reçu. Veuillez nous excuser, nous ne vous informerons plus en cas de mise à jour technologique ou logicielle de notre produit.

## TABLE DES MATIÈRES

Avertissements généraux de sécurité pour les outils électriques.....	03
Avertissements de sécurité pour la raboteuse.....	06
Symboles.....	08
Caractéristiques.....	10
Assemblée.....	10
Fonctionnement .....	11
Accessoires.. .....	26

## AVERTISSEMENTS GÉNÉRAUX DE SÉCURITÉ POUR LES OUTILS ÉLECTRIQUES



Lisez tous les avertissements de sécurité et toutes les instructions. Le non-respect des avertissements et les instructions peuvent entraîner un choc électrique, un incendie et/ou des blessures graves.

Conservez tous les avertissements et instructions pour référence ultérieure.

Le terme « outil électrique » dans les avertissements fait référence à votre outil électrique alimenté par le secteur. outil électrique (avec fil) ou outil électrique à batterie (sans fil).

### SÉCURITÉ DE LA ZONE DE TRAVAIL

- Gardez la zone de travail propre et bien éclairée. Les zones encombrées ou sombres invitent accidents.
- N'utilisez pas d'outils électriques dans des atmosphères explosives, comme dans présence de liquides, gaz ou poussières inflammables. Les outils électriques créent des étincelles qui pourrait enflammer la poussière ou les fumées.
- Gardez les enfants et les spectateurs éloignés lorsque vous utilisez un outil électrique. Les distractions peuvent vous faire perdre le contrôle.

### SÉCURITÉ ÉLECTRIQUE

- Les fiches des outils électriques doivent correspondre à la prise. Ne modifiez jamais la fiche de quelque façon que ce soit. N'utilisez pas d'adaptateur avec des outils électriques reliés à la terre. Des fiches non modifiées et des prises adaptées réduiront le risque de choc électrique. ■ Évitez tout contact corporel avec des surfaces mises à la terre ou reliées à la terre telles que des tuyaux, des radiateurs, des cuisinières et des réfrigérateurs. Le risque de choc électrique est accru. choc électrique si votre corps est relié à la terre ou à la masse.
- N'exposez pas les outils électriques à la pluie ou à l'humidité. L'eau pénétrant dans un L'utilisation d'un outil électrique augmente le risque de décharge électrique.
- Ne pas maltraiter le cordon. Ne jamais utiliser le cordon pour transporter, tirer ou débrancher l'outil électrique. Tenir le cordon à l'écart de la chaleur, de l'huile et des bords tranchants ou des pièces mobiles. Les cordons endommagés ou emmêlés augmentent le risque choc électrique.

- Lorsque vous utilisez un outil électrique à l'extérieur, utilisez une rallonge adaptée pour une utilisation en extérieur. L'utilisation d'un cordon adapté à une utilisation en extérieur réduit le risque d'électrocution. ■ Si

l'utilisation d'un outil électrique dans un endroit humide est inévitable, utilisez une prise de terre. alimentation protégée par un disjoncteur de fuite à la terre (GFCI). L'utilisation d'un GFCI réduit le risque de choc électrique.

- Utilisez ce produit uniquement avec les batteries et les chargeurs répertoriés dans la liste des outils/appareils/ supplément de corrélation bloc-batterie/chargeur 987000-432.

## SÉCURITÉ PERSONNELLE

- Restez vigilant, regardez ce que vous faites et faites preuve de bon sens lorsque utiliser un outil électrique. N'utilisez pas d'outil électrique lorsque vous êtes fatigué ou sous l'influence de drogues, d'alcool ou de médicaments. Un moment de L'inattention lors de l'utilisation d'outils électriques peut entraîner des blessures graves. blessure.
- Utilisez un équipement de protection individuelle. Portez toujours une protection pour les yeux. Les équipements de protection tels que les masques anti-poussière, les chaussures de sécurité antidérapantes, les casques de sécurité ou les protections auditives utilisés dans des conditions appropriées réduiront blessures corporelles.
- Évitez tout démarrage involontaire. Assurez-vous que l'interrupteur est en position d'arrêt. avant de connecter à la source d'alimentation et/ou à la batterie, de ramasser ou porter l'outil. Transporter des outils électriques avec le doigt sur l'interrupteur ou sous tension les outils dont l'interrupteur est allumé invitent aux accidents.
- Retirez toute clé de réglage ou de serrage avant de mettre l'outil électrique sous tension. une clé ou une clé laissée attachée à une pièce rotative de l'outil électrique peut entraîner des blessures corporelles.
- Ne vous penchez pas trop en avant. Gardez toujours une bonne position et un bon équilibre. permet un meilleur contrôle de l'outil électrique dans des situations inattendues. ■ Habillez-vous correctement. Ne portez pas de vêtements amples ni de bijoux. Gardez vos cheveux, vêtements et gants à l'écart des pièces mobiles. Vêtements amples, bijoux ou les cheveux longs peuvent être happés par les pièces mobiles. ■ Si des dispositifs sont prévus pour le raccordement de l'extraction de poussière et

installations de collecte, assurez-vous qu'elles sont connectées et utilisées correctement. de collecte de poussière peut réduire les risques liés à la poussière.

- Ne portez pas de vêtements amples ni de bijoux. Maintenez les cheveux longs. Vêtements amples, bijoux ou cheveux longs peuvent être aspirés dans les bouches d'aération.
- N'utilisez pas d'échelle ou de support instable. Une base stable sur une surface solide permet un meilleur contrôle de l'outil électrique dans des situations inattendues.

#### UTILISATION ET ENTRETIEN DES OUTILS ÉLECTRIQUES

- Ne forcez pas l'outil électrique. Utilisez l'outil électrique adapté à votre application. L'outil électrique approprié fera le travail mieux et de manière plus sûre pour lequel il a été conçu.
- N'utilisez pas

l'outil électrique si l'interrupteur ne s'allume et ne s'éteint pas.

un outil électrique qui ne peut pas être contrôlé avec l'interrupteur est dangereux et doit être réparé. ■

Débranchez la fiche de la source d'alimentation et/ou la batterie de

l'outil électrique avant de procéder à des réglages, de changer d'accessoires ou de ranger les outils électriques. Ces mesures de sécurité préventives réduisent le risque de démarrer l'outil électrique accidentellement.

- Rangez les outils électriques inutilisés hors de portée des enfants et ne les laissez pas personnes qui ne connaissent pas l'outil électrique ou ces instructions d'utilisation l'outil électrique. Les outils électriques sont dangereux entre les mains d'une personne non formée utilisateurs.

- Entretien des outils électriques. Vérifier l'alignement ou le blocage des pièces mobiles, la rupture des pièces et toute autre condition pouvant affecter l'alimentation fonctionnement de l'outil. S'il est endommagé, faites réparer l'outil électrique avant

De nombreux accidents sont causés par des outils électriques mal entretenus. ■ Gardez les outils de coupe bien aiguisés et propres. Des outils de coupe correctement entretenus avec des bords tranchants tranchants sont moins susceptibles de se coincer et sont plus faciles à contrôler. ■ Utilisez l'outil électrique, les accessoires, les embouts d'outils, etc., conformément à ces instructions, en tenant compte des conditions de travail et du travail à effectuer être exécutées. Utilisation de l'outil électrique pour des opérations différentes de celles prévu pourrait entraîner une situation dangereuse.

## UTILISATION ET ENTRETIEN DES OUTILS À BATTERIE

- Rechargez uniquement avec le chargeur spécifié par le fabricant. Un chargeur qui convient à un type de batterie peut créer un risque d'incendie lorsque utilisé avec un autre bloc-piles. ■ Utilisez des outils électriques uniquement avec des blocs-piles spécifiquement désignés. tout autre pack de batteries peut créer un risque de blessure et d'incendie.
- Lorsque la batterie n'est pas utilisée, éloignez-la des autres objets métalliques, comme des trombones, des pièces de monnaie, des clés, des clous, des vis ou d'autres petits objets métalliques, qui peut établir une connexion d'un terminal à un autre. Court-circuiter le Les bornes de la batterie peuvent être ensemble susceptibles de provoquer des brûlures ou un incendie. ■ Dans des conditions abusives, du liquide peut être éjecté de la batterie ; évitez contact. En cas de contact accidentel, rincer à l'eau. En cas de contact avec du liquide yeux, consultez également un médecin. Le liquide éjecté de la batterie peut provoquer une irritation ou des brûlures.

## SERVICE

- Faites entretenir votre outil électrique par un réparateur qualifié utilisant uniquement des pièces de rechange identiques. Cela garantira la sécurité de l'alimentation l'outil est maintenu.
- Lors de l'entretien d'un outil électrique, utilisez uniquement des pièces de rechange identiques. Suivez les instructions de la section Maintenance de ce manuel. Utilisation de des pièces non autorisées ou le non-respect des instructions de maintenance peuvent créer un risque de choc électrique ou de blessure.

### AVERTISSEMENTS DE SÉCURITÉ POUR LA RABOTEUSE

- Attendez que le coupeur s'arrête avant de poser l'outil. Un le couteau rotatif peut s'engager dans la surface, ce qui peut entraîner une perte de contrôle et des blessures graves. ■ Utilisez des pinces ou un autre moyen pratique pour fixer et soutenir le pièce à usiner sur une plate-forme stable. Tenir la pièce à la main ou contre la corps le rend instable et peut entraîner une perte de contrôle. ■ Tenez l'outil électrique uniquement par les surfaces de préhension isolées.

- Apprenez à connaître votre outil électrique. Lisez attentivement le manuel d'utilisation. applications et limites, ainsi que les dangers potentiels spécifiques liés à cet outil électrique. Le respect de cette règle réduira le risque choc électrique, incendie ou blessure grave.
  - Portez toujours une protection oculaire avec des protections latérales marquées conformes ANSI Z87.1. Le respect de cette règle réduira le risque de blessures corporelles graves. blessure.
  - Protégez vos poumons. Portez un masque facial ou anti-poussière si l'opération génère de la poussière. Le respect de cette règle réduira le risque de blessures graves. ■ Protégez votre ouïe. Portez une protection auditive pendant les périodes prolongées opération. Le respect de cette règle réduira le risque de blessures corporelles graves. blessure.
  - Les outils à batterie n'ont pas besoin d'être branchés sur une prise électrique ; par conséquent, ils sont toujours en état de fonctionnement. Soyez conscient des dangers possibles lorsque vous n'utilisez pas votre outil à batterie ou lorsque vous changez d'accessoires. Le respect de cette règle réduira le risque de choc électrique, d'incendie ou de blessures graves. blessures corporelles.
  - Ne placez pas les outils à batterie ou leurs batteries à proximité d'un feu ou d'une source de chaleur. réduire le risque d'explosion et éventuellement de blessure. ■ Ne pas écraser, laisser tomber ou endommager la batterie. N'utilisez pas de batterie ou chargeur qui est tombé ou qui a reçu un coup violent. Un chargeur endommagé La batterie est sujette aux explosions. Éliminez correctement une batterie tombée ou immédiatement la batterie endommagée. ■
- Les batteries peuvent exploser en présence d'une source d'inflammation, telle qu'un veilleuse. Pour réduire le risque de blessures graves, n'utilisez jamais produit sans fil en présence d'une flamme nue. Une batterie explosée peut propulser des débris et des produits chimiques. En cas d'exposition, rincer immédiatement à l'eau. ■
- Ne pas charger l'outil à batterie dans un endroit humide ou mouillé. Ne pas utiliser, stocker ou charger des batteries ou des produits dans des endroits où la température est Moins de 50° Pour plus de 100°F. Ne pas entreposer à l'extérieur ou dans un véhicule.
- Dans des conditions d'utilisation ou de température extrêmes, une fuite de la batterie peut se produire. Si le liquide entre en contact avec votre peau, lavez-la immédiatement avec eau et savon. Si du liquide pénètre dans vos yeux, rincez-les à l'eau claire pendant au moins 10 minutes, puis consultez immédiatement un médecin.




cette règle réduira le risque de blessures corporelles graves.

■ Conservez ces instructions. Consultez-les fréquemment et utilisez-les pour




instruisez les autres personnes susceptibles d'utiliser cet outil. Si vous prêtez cet outil à quelqu'un, prêtez-leur leur donner également ces instructions.



## SYMBOLES

Les mots-clés et significations suivants sont destinés à expliquer les niveaux des risques associés à ce produit.

SYMBOLE SIGNAL		SIGNIFICATION
	DANGER	Indique une situation dangereuse qui, si elle n'est pas évitée, entraînera la mort ou des blessures graves
	AVERTISSEMENT	Indique une situation dangereuse qui, si elle n'est pas évitée, pourrait entraîner la mort ou des blessures graves
	PRUDENCE	Indique une situation dangereuse qui, si elle n'est pas évitée, pourrait entraîner la mort ou des blessures graves
	AVIS:	(Sans symbole d'alerte de sécurité) Indique des informations considéré comme important, mais non lié à un potentiel blessure (par exemple messages relatifs à des dommages matériels).

Certains des symboles suivants peuvent être utilisés sur ce produit. Veuillez les étudier et apprenez leur signification. Une interprétation correcte de ces symboles vous permettra de faire fonctionner le produit de manière plus efficace et plus sûre.

SYMBOLE	SIGNAL	SIGNIFICATION
	Alerte de sécurité	Indique un risque potentiel de blessure corporelle
	Lire l'opérateur Manuel	Pour réduire le risque de blessure, l'utilisateur doit lire et comprendre le manuel de l'opérateur avant d'utiliser ce produit.
	Protection des yeux	Portez toujours une protection oculaire avec protections latérales marqué conforme à la norme ANSI Z87.1

	Protection auditive	Portez toujours des protections auditives lorsque vous utilisez ce produit. produit.
	Poussière d'usure masques	Portez toujours des masques anti-poussière lorsque vous utilisez ce produit. produit.
	Conditions humides Alerte	Ne pas exposer à la pluie ni utiliser dans des endroits humides
	Pas de mains Symbole	Ne pas garder vos mains loin de la La lame peut entraîner des blessures graves.
	Symbole de recyclage	Ce produit utilise des batteries lithium-ion (Li-ion). Les lois locales, nationales ou fédérales peuvent interdire l'élimination des piles dans les ordures ménagères. Consultez votre autorité locale en charge des déchets pour plus d'informations concernant le recyclage et/ou l'élimination disponibles options.
	Élimination correcte	Ce produit est soumis à la fourniture de Directive européenne 2012/19/CE. Le symbole montrant une poubelle à roulettes traversée indique que le produit nécessite une collecte des déchets dans l'Union européenne. Ceci s'applique au produit et à tous les accessoires marqués de ce symbole. Produits marqués comme ceux-ci ne peuvent pas être jetés avec la normale déchets ménagers, mais doivent être apportés dans un point de collecte pour le recyclage des appareils électriques et appareils électroniques
	Déclaration de la FCC	Cet appareil est conforme à la partie 15 de la FCC Règles. L'opération est soumise aux deux règles suivantes conditions : (1) Cet appareil ne doit pas provoquer interférences nuisibles, et (2) cet appareil doit accepter toute interférence reçue, y compris interférences pouvant causer des effets indésirables opération.
V	Volts	Tension
Hz	Hertz	Fréquence (cycles par seconde)
min	Minutes	Temps
$n_0$	Vitesse à vide Vitesse de rotation, à vide	
.../min	Par minute	Révolutions, coups, vitesse superficielle, orbites etc., par minute.

## CARACTÉRISTIQUES

## CARACTÉRISTIQUES DU PRODUIT

Modèle	DB18V-821
Tension nominale	18V
Vitesse à vide	16000/min
Largeur de rabotage max.	82 MM
Profondeur de rabotage maximale	2 MM
Profondeur de feuillure maximale	8 MM
Type de moteur	Sans balais
Poids net	2,5 kg

## ASSEMBLÉE



## AVERTISSEMENT:

N'utilisez pas ce produit s'il n'est pas complètement assemblé ou si des pièces semblent manquants ou endommagés. Utilisation d'un produit qui n'est pas correctement et complètement assemblé ou avec des pièces endommagées ou manquantes peut entraîner blessures corporelles graves.



## AVERTISSEMENT:

N'essayez pas de modifier ce produit ou de créer des accessoires ou des pièces jointes. non recommandé pour une utilisation avec ce produit. Toute modification ou la modification est mal utilisée et pourrait entraîner une situation dangereuse conduisant à d'éventuelles blessures corporelles graves.

## OPÉRATION



Ne laissez pas la familiarité avec les outils vous rendre négligent. N'oubliez pas qu'une fraction de seconde d'inattention suffit à infliger des blessures graves.



Retirez toujours la batterie de l'outil lorsque vous assemblez des pièces, effectuez des réglages, nettoyez ou lorsque vous ne l'utilisez pas. Retrait de la batterie empêchera tout démarrage accidentel qui pourrait entraîner des blessures corporelles graves.



Portez toujours une protection oculaire avec des protections latérales conformes à la norme ANSI Z87.1. Le non-respect de cette consigne pourrait entraîner la projection d'objets dans vos yeux pouvant entraîner des blessures graves.



N'utilisez pas d'accessoires ou de pièces jointes non recommandés par le fabricant de ce produit. L'utilisation d'accessoires non fournis recommandés peut entraîner des blessures corporelles graves.



Une planification trop rapide ou trop profonde entraînera une surcharge de l'équipement. protection et réduire la durée de vie de la batterie. Veuillez contrôler la vitesse de planification et profondeur raisonnablement.

## APPLICATIONS

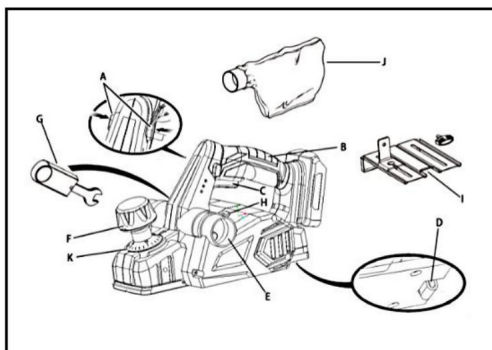
Vous pouvez utiliser cet outil aux fins énumérées ci-dessous : ■

Rabotage du bord d'une porte ou d'une étagère en bois ■

Rabotage du bord d'une pièce de bois ■ Réalisation

de coupes à feuillement dans le bois ■

Chanfreinage des bords tranchants du bois

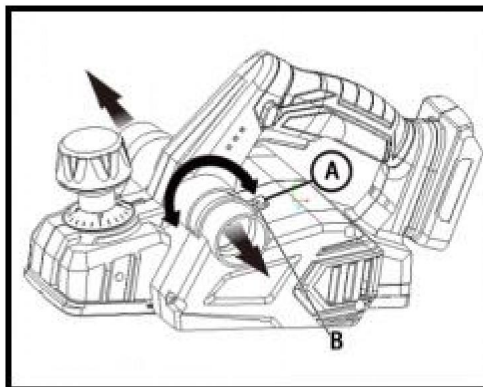


## RÉGLAGE DE LA DIRECTION D'ÉCHAPPEMENT



AVERTISSEMENT:

La poussière recueillie par les revêtements de surface de rabotage tels que les polyuréthanes, l'huile de lin, etc., peut s'enflammer spontanément dans le sac à poussière de la raboteuse ou ailleurs et provoquer un incendie. Pour réduire le risque d'incendie, videz toujours fréquemment le sac à poussière pendant le rabotage. NE JAMAIS ranger ou laisser une raboteuse sans avoir au préalable vidé son sac à poussière. Suivez également les recommandations des fabricants de revêtements.



Changez la direction de l'échappement vers la droite ou vers la gauche pour contrôler le direction des débris lors de travaux dans des zones confinées.

Pour régler la direction de l'échappement et le sac à poussière :

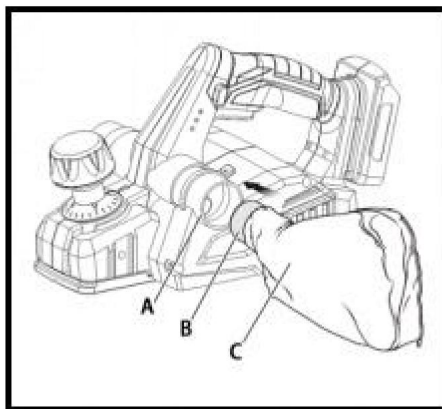
Retirez la batterie. Pour régler

l'échappement vers la droite : Déplacez le levier de direction de l'échappement de sorte que le la flèche pointe vers la droite (la poignée pointe vers la gauche). Installez le sac à poussière sur le Pour régler

l'échappement vers la gauche : Déplacez le levier de direction de l'échappement de sorte que le la flèche pointe vers la gauche (la poignée pointe vers la droite). Installez le sac à poussière sur le orifice d'échappement gauche.

REMARQUE : Vérifiez que le sac à poussière est fixé au même port sélectionné par le levier de direction d'échappement.

#### FIXATION DU SAC À POUSSIÈRE



Retirez la batterie. Faites glisser le collier du sac à poussière sur l'orifice d'échappement.

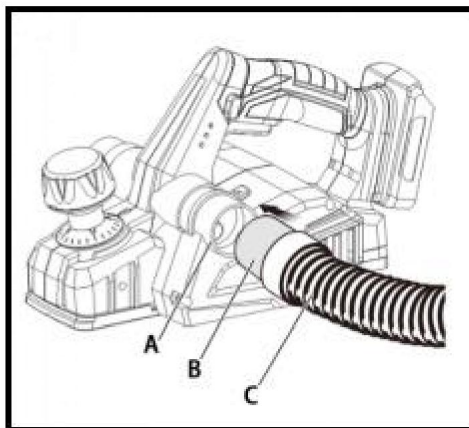
REMARQUE : Pour retirer le sac à poussière, tirez-le directement hors de l'orifice d'échappement.



AVIS:

Le sac à poussière se remplit rapidement. Videz-le souvent pour éviter d'endommager le produit.

## FIXATION DE LA RABOT À UN ASPIRATEUR



Le système de récupération des copeaux de la raboteuse est doté d'un port de 1-1/4 po pour insérer un tuyau d'aspiration.

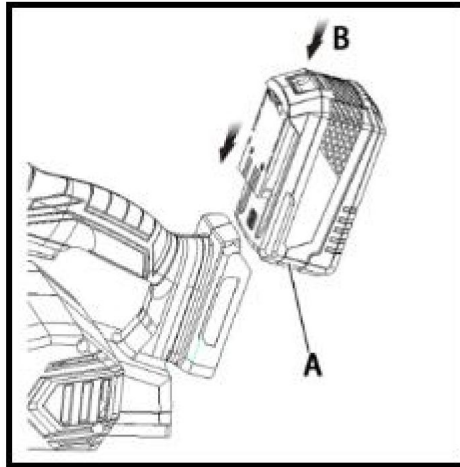
■ Retirez le bloc-piles. Retirez le sac à poussière. ■ Raccordez un tuyau d'aspiration à l'évacuation des copeaux gauche ou droite. ■ Réglez le levier de direction de l'évacuation sur l'orifice d'évacuation sélectionné. ■ Raccordez l'aspirateur à une source d'alimentation. ■ Allumez l'aspirateur avant de commencer la coupe.



AVERTISSEMENT:

Lorsque l'outil n'est pas connecté à l'aspirateur, réinstallez toujours le sac à poussière sur l'outil. Le non-respect de cette consigne pourrait entraîner la formation de poussière ou de corps étrangers. être projeté sur votre visage ou vos yeux, ce qui pourrait entraîner des blessures graves. blessure.

## INSTALLATION/RETRAIT DU BLOC-BATTERIE



Verrouillez la gâchette.

Insérez la batterie dans le produit comme indiqué. Assurez-vous que les loquets de chaque côté de la batterie s'enclenchent et la batterie est fixée dans le produit avant de commencer

Appuyez

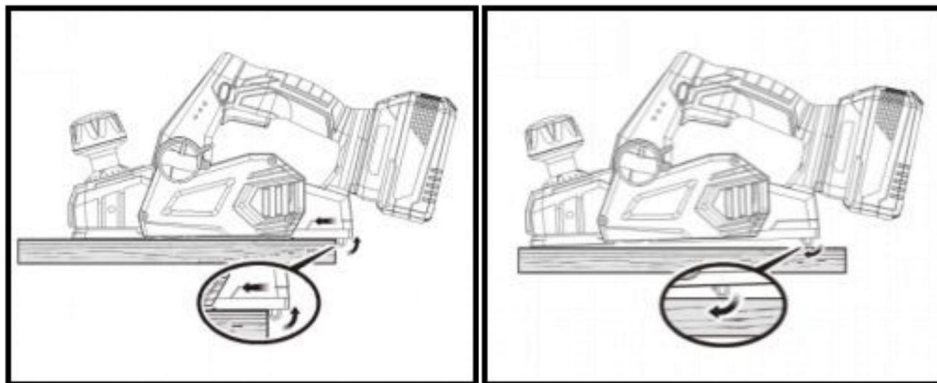
sur les loquets pour retirer la batterie. Pour obtenir des instructions de charge complètes, consultez les manuels d'utilisation votre batterie et votre chargeur.

## DÉMARRAGE/ARRÊT DE LA RABOTEUSE

Pour démarrer la raboteuse : Appuyez sur le bouton de verrouillage de chaque côté, puis appuyez sur la gâchette de l'interrupteur.

Pour arrêter la raboteuse : Relâchez la gâchette.

## BÉQUILLE



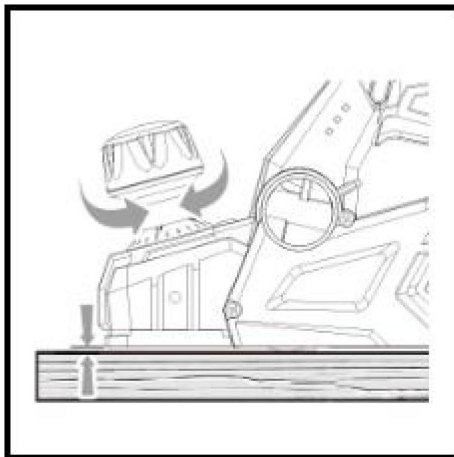
La raboteuse est équipée d'une béquille pivotante automatique qui empêche les lames d'entrer en contact avec l'établi lorsqu'elle n'est pas utilisée. Lorsque vous commencez l'opération de rabotage, la béquille se rétracte automatiquement lorsqu'elle passe sur le bord de la pièce. Lorsque vous posez la raboteuse sur l'établi, la béquille pivote automatiquement vers le bas pour empêcher la lame d'entrer en contact.



AVERTISSEMENT:

Assurez-vous que la béquille fonctionne librement à tout moment et que la zone entourant la béquille est exempte de débris. Le non-respect de cette consigne pourrait entraîner des blessures graves.

## PROFONDEUR DE RABOTAGE



Lorsque vous commencez à planifier un morceau de matériau brut, la raboteuse ne fera que éliminez d'abord les points saillants. Les passages successifs en élimineront davantage et plus de matière. En retirant au maximum 1/64 po à chaque passage, vous obtenez la finition la plus lisse, même à partir de la pièce la plus rugueuse.

Commencez toujours par faire des essais de coupe dans des chutes de bois pour vous assurer que le la raboteuse enlève la quantité de bois souhaitée.

Pour définir la profondeur de planification :

Retirez la batterie. Tournez le bouton

de réglage de la profondeur dans le sens des aiguilles d'une montre pour régler la profondeur de coupe souhaitée.

Couper. La profondeur de coupe maximale est de 1/16 po.

REMARQUE : utilisez uniquement des réglages de profondeur crantés. Tenter des coupes avec la profondeur de les réglages de coupe entre les positions crantées peuvent entraîner des coupes inégales.

REMARQUE : Pour protéger les lames pendant le stockage, le transport, etc., tournez la bouton de réglage de la profondeur dans le sens inverse des aiguilles d'une montre en haut de l'échelle de profondeur de coupe pour garer la lame.



AVERTISSEMENT:

Avant de procéder à une coupe, serrez toujours fermement la pièce. Travail en mouvement pendant une coupe peut entraîner une perte de contrôle de la raboteuse et causer de graves blessures.

blessure.

■ Fixez solidement l'ouvrage. ■

Assurez-vous que le matériel à planifier est exempt de clous, d'agrafes ou de vis. ■ Soutenez l'ouvrage de manière à ce que l'opération se fasse de votre côté.

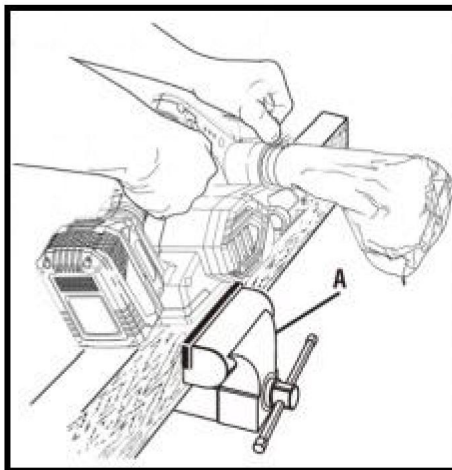
AVIS:

Un rabotage trop rapide entraîne une mauvaise finition et augmente l'accumulation de copeaux dans le échappement de copeaux. L'accumulation de copeaux restreint le flux d'air et peut provoquer des dommages au moteur. surchauffe.

AVERTISSEMENT:

N'essayez pas de dégager un conduit d'évacuation de copeaux bloqué jusqu'à ce que les lames s'arrêtent et vous avez débranché le produit de la source d'alimentation. Le non-respect de ces consignes Cet avertissement peut entraîner des blessures corporelles graves.

PLANIFICATION



■ Serrez fermement la pièce

■ Réglez la profondeur de rabotage. Reportez-vous à la section Profondeur de rabotage plus haut dans ce manuel. ■ Tenez le bouton de réglage de la profondeur d'une main et la poignée de l'autre. d'autre part.



AVERTISSEMENT:

Utilisez toujours les deux mains sur l'outil pour toute opération ; cela garantit que vous Gardez le contrôle et évitez tout risque de blessure grave. Toujours correctement soutenir et serrer la pièce de manière à ce que les deux mains soient libres de contrôler la plans.

N'utilisez jamais l'outil au-dessus de votre tête ou à l'envers par rapport à la position de fonctionnement appropriée. position ; des blessures corporelles graves peuvent en résulter.

Placer le sabot avant sur le bord de l'ouvrage à planifier.

REMARQUE : Assurez-vous que les lames ne touchent pas la pièce. Appliquez une pression sur le bouton de réglage de la profondeur afin que la semelle avant soit complètement à plat sur la pièce. Démarrez la raboteuse et laissez le moteur atteindre vitesse maximale.

Tenez fermement la raboteuse et poussez-la vers l'avant dans la pièce, en effectuant un mouvement lent et régulier. Rabotez lentement et videz souvent le sac à poussière. Appliquez une pression vers le bas en direction de la poignée arrière lorsque vous fin de la coupe prévue. Cela permet de garder la partie arrière de la raboteuse base en contact avec la pièce et empêche l'avant de la raboteuse de creuser la coupe.



AVERTISSEMENT:

Faites attention à ne pas heurter des clous ou des agrafes pendant l'opération de planification ; cela l'action pourrait entailler, fissurer ou endommager les lames.

REMARQUE : Nous vous suggérons de toujours garder un jeu de lames supplémentaire à portée de main. Dès que les lames de la raboteuse montrent des signes d'émoussement, remplacez-les. eux. Les lames sont réversibles et peuvent être inversées jusqu'à ce que les deux côtés devenir terne.

## CHANFREINAGE

La raboteuse est conçue avec une rainure de chanfreinage dans la chaussure avant pour chanfreinez les coins des planches comme indiqué. Avant de faire une coupe sur du bon bois,

■ Entraînez-vous à couper sur des chutes de bois pour déterminer la quantité à enlever. ■

Serrez fermement la pièce. ■

Tenez le bouton de réglage de la profondeur d'une main et la poignée de votre main.  
d'autre part.

■ Placez la rainure de chanfreinage sur la surface à couper. ■ Démarrez

la raboteuse et laissez le moteur atteindre sa vitesse maximale. ■ Maintenez

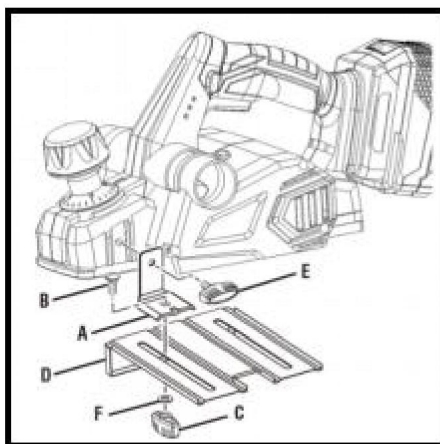
fermement la raboteuse et poussez-la vers l'avant dans la pièce, en effectuant un  
mouvement lent et régulier.

■ Appliquez une pression vers le bas pour maintenir la raboteuse à plat au début et à la fin.  
extrémité du plan de travail.

## RABOTAGE DES BORDS ET COUPES À FEUILLURE

La raboteuse est livrée avec un guide de bord réglable pour un rabotage de bord de précision  
et coupe à feuillure. Fixez le guide de bord de chaque côté de la raboteuse pour  
raboter les bords et fixer le guide de bord sur le côté gauche pour faire  
coupes à feuillures.

## FIXATION DU GUIDE DE BORD POUR LES BORDS DE RABOTEUSE



Retirez la batterie. ■ Fixez le

support sur le côté souhaité de la raboteuse et serrez le bouton

boulonner solidement.

- Fixez le guide de bord au support à l'aide de l'écrou à bouton et du chariot boulon à tête.
- Serrez fermement l'écrou du bouton.

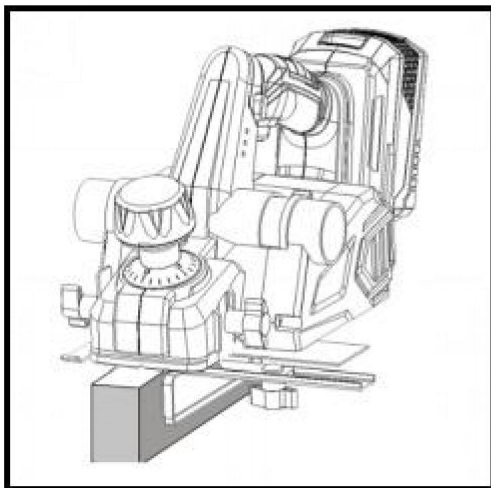
## BORDS DE RABOTEUSE

Suivez les instructions de la section Planification plus haut dans ce manuel. Maintenez la guide-bord fermement contre le bord de la surface de travail.

## FIXATION DU GUIDE DE BORD POUR LA FABRICATION COUPES DE FEUILLURE

- Retirez la batterie. ■ Fixez le support sur le côté gauche de la raboteuse et serrez le boulon à bouton en toute sécurité.
- Fixez le guide de bord sans serrer au support à l'aide de l'écrou à bouton et du boulon à tête cylindrique (ne pas serrer).
- Réglez le guide de bord à la largeur souhaitée pour la coupe en feuillure. ■ Serrez fermement l'écrou du bouton.

## POUR FAIRE DES COUPES À FEUILLURE



Suivez les instructions de la section Planification plus haut dans ce manuel. Reposez le guide-bord fermement contre le bord de la surface de travail.

La profondeur du feuillure est déterminée par la profondeur de la coupe et la nombre de passages effectués le long de la surface de travail.

La profondeur maximale de la coupe à feuillure est de 1/2 po et doit être coupée en passes de 1/16 po ou moins pour atteindre la profondeur souhaitée. La largeur de la coupe à feuillure est réglable en déplaçant le guide de bord.



AVERTISSEMENT:

Lors de l'entretien, utilisez uniquement des pièces de rechange identiques. L'utilisation de tout autre Les pièces peuvent créer un danger ou endommager le produit.



AVERTISSEMENT:

Portez toujours une protection oculaire avec des protections latérales conformes à la norme ANSI Z87.1. Le non-respect de cette consigne pourrait entraîner la projection d'objets dans vos yeux pouvant entraîner des blessures graves.

## ENTRETIEN GÉNÉRAL

Évitez d'utiliser des solvants lors du nettoyage des pièces en plastique. La plupart des plastiques sont sensibles aux dommages causés par divers types de solvants commerciaux et peuvent être endommagés par leur utilisation. Utilisez des chiffons propres pour éliminer la saleté, la poussière, l'huile, la graisse, etc.



AVERTISSEMENT:

Ne laissez à aucun moment les liquides de frein, l'essence, les produits à base de pétrole, les huiles pénétrantes, etc., entrer en contact avec les pièces en plastique. Les produits chimiques peuvent endommager, affaiblir ou détruire le plastique, ce qui peut entraîner des blessures corporelles graves. blessure.

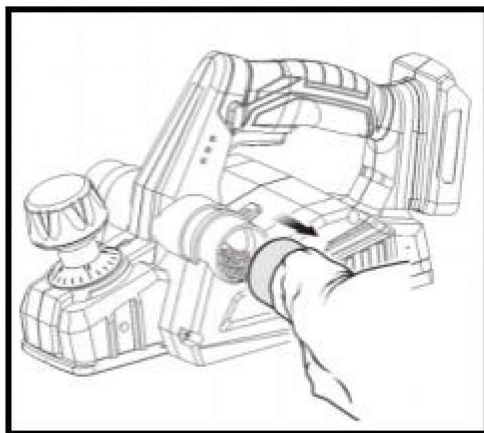
Les outils électriques utilisés sur les matériaux en fibre de verre, les plaques de plâtre, les composés de rebouchage ou le plâtre sont sujets à une usure accélérée et à une éventuelle défaillance prématurée.

car les copeaux et les meulages en fibre de verre sont très abrasifs pour les roulements, les balais, les commutateurs, etc. Par conséquent, nous ne recommandons pas d'utiliser cet outil pour un travail prolongé sur ces types de matériaux. Cependant, si vous le faites travailler avec l'un de ces matériaux, il est extrêmement important de nettoyer l'outil en utilisant de l'air comprimé.

## LUBRIFICATION

Tous les roulements de cet outil sont lubrifiés avec une quantité suffisante de lubrifiant à haute teneur. Lubrifiant de qualité supérieure pour la durée de vie de l'appareil dans des conditions de fonctionnement normales. Par conséquent, aucune lubrification supplémentaire n'est nécessaire.

## NETTOYAGE DE L'ORIFICE D'ÉCHAPPEMENT ET VIDAGE DU SAC À POUSSIÈRE



Après avoir utilisé la raboteuse pendant une période prolongée ou lors d'un rabotage humide ou du bois vert, des copeaux peuvent s'accumuler dans l'orifice d'échappement et nécessiter nettoyage. L'accumulation de copeaux restreint le flux d'air et provoque le dysfonctionnement du moteur.

surchauffe. Nettoyez l'orifice d'échappement et videz régulièrement le sac à poussière.

Retirez la batterie. Retirez le sac à

poussière de l'orifice d'échappement. Nettoyez les copeaux ou

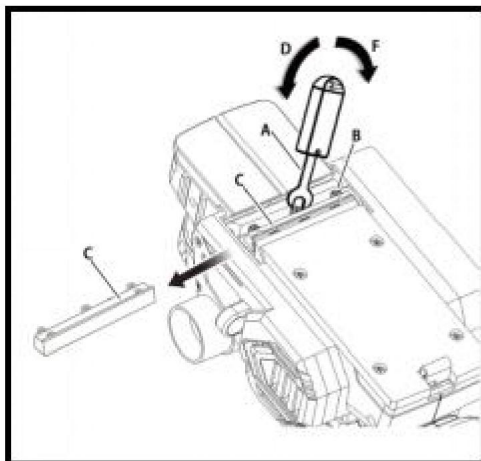
la poussière accumulés dans l'orifice d'échappement de la raboteuse avec de l'eau.

un petit morceau de bois. N'utilisez pas vos mains ou vos doigts. Videz

tous les débris du sac à poussière et assurez-vous que le collier est exempt débris

Remplacez le sac à poussière.

## REPLACEMENT DES LAMES



Les lames de rabot sont réversibles. Lorsqu'un bord devient émoussé, la lame peut être inversé pour que l'autre côté puisse être utilisé.

Remplacez ou inversez toujours les lames par paires. N'essayez pas de les affûter les lames. Si les lames de la raboteuse montrent des signes d'émoussement, d'écaillage ou endommagés de quelque façon que ce soit, remplacez-les.

Lors du remplacement des lames, utilisez uniquement la lame de rechange recommandée,



AVERTISSEMENT:

Portez toujours des gants en cuir épais et soyez prudent lorsque vous desserrez la lame vis et manipulation et/ou changement de lames. Les lames sont tranchantes et peuvent causer des blessures graves. Retirez la

batterie. Fixez la raboteuse en position

inversée. Desserrez les trois vis fixant la lame sur le porte-lame en

en tournant dans le sens inverse des aiguilles d'une montre avec la clé à lame fournie.

REMARQUE : Ne desserrez pas trop les vis. Si les vis sont trop desserrées, l'alignement de la nouvelle lame ne sera pas précise.

**REMARQUE :** Avant de retirer les anciennes lames, faites attention au sens de coupe ainsi que la façon dont le bord conique des anciennes lames est orienté. Le bord conique le bord des nouvelles lames doit être dans la même orientation que l'original lames, avec le bord effilé du même côté que les têtes de vis et le bord plat face au bloc-lames. ■ Appuyez sur le protège-lame à ressort. ■ Poussez le porte-lame hors de l'ensemble bloc-lames à l'aide de la pointe d'un tournevis.

■ Retirez l'ancienne lame du porte-lame en faisant glisser la lame vers l'extérieur en utilisant la pointe d'un tournevis.

**REMARQUE :** si la lame ne peut pas être facilement poussée hors du support de lame après le desserrage vis de fixation de la lame, utilisez un bloc de bois pour détacher la lame le porte-lame avec un coup court et vif. Poussez ensuite la lame avec un tournevis pour le retirer. Si nécessaire, tapez fortement sur le bloc de bois avec un petit marteau pour casser la lame.

■ Nettoyez toute sciure ou copeaux de bois autour de la lame. ■ Faites glisser la nouvelle lame dans la fente du porte-lame.

■ Utilisez un tournevis pour pousser la lame dans le porte-lame jusqu'à ce qu'elle soit centré en position.

■ Appuyez sur le protège-lame à ressort. ■ Insérez le porte-lame dans l'ensemble bloc-lame. ■ Resserrez les trois vis de fixation de la lame à l'aide de la clé à lame. ■ Répétez la procédure ci-dessus pour changer l'autre lame.

#### REPLACEMENT DE LA COURROIE

Lors du remplacement de la courroie, utilisez uniquement la courroie de rechange recommandée. ■ Retirez la batterie.

■ Retirez les vis du couvercle de la courroie.

■ Retirez le couvercle de la courroie.

■ Retirez l'ancienne courroie de la petite poulie en la tournant dans le sens indiqué.

Lorsque vous faites tourner la courroie, tirez-la et faites-la sortir de la petite poulie jusqu'à ce qu'elle soit complètement retiré des deux poulies.

■ Installez la nouvelle courroie sur la petite poulie, en veillant à aligner les rainures.

En tournant la courroie, poussez-la et travaillez-la sur la grande poulie jusqu'à ce qu'elle soit en place.

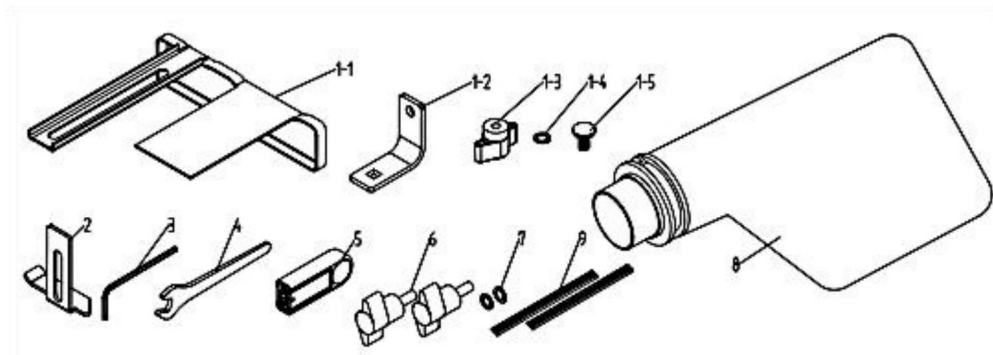
■ Remettez le couvercle de la courroie

en place. ■ Installez les vis du couvercle de la courroie et serrez-les fermement.

REMARQUE : Ne serrez pas trop les vis.

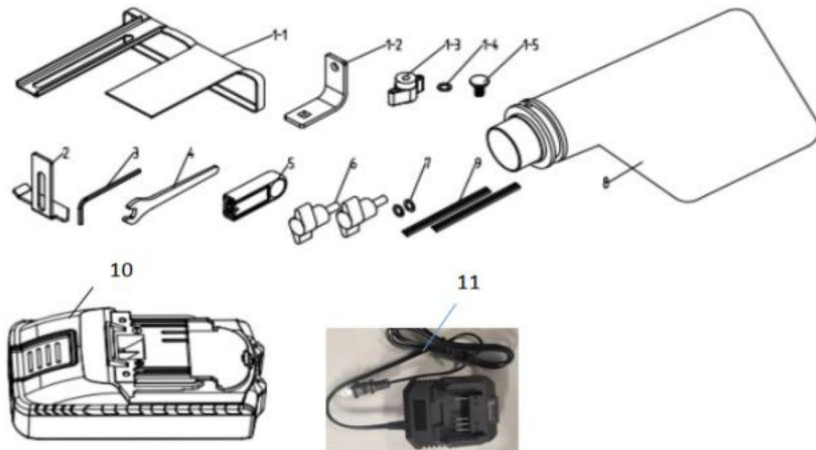
## ACCESSOIRES

### ACCESSOIRES--RABOTEUSE SANS BALAIS AVEC BOÎTE DE COULEUR



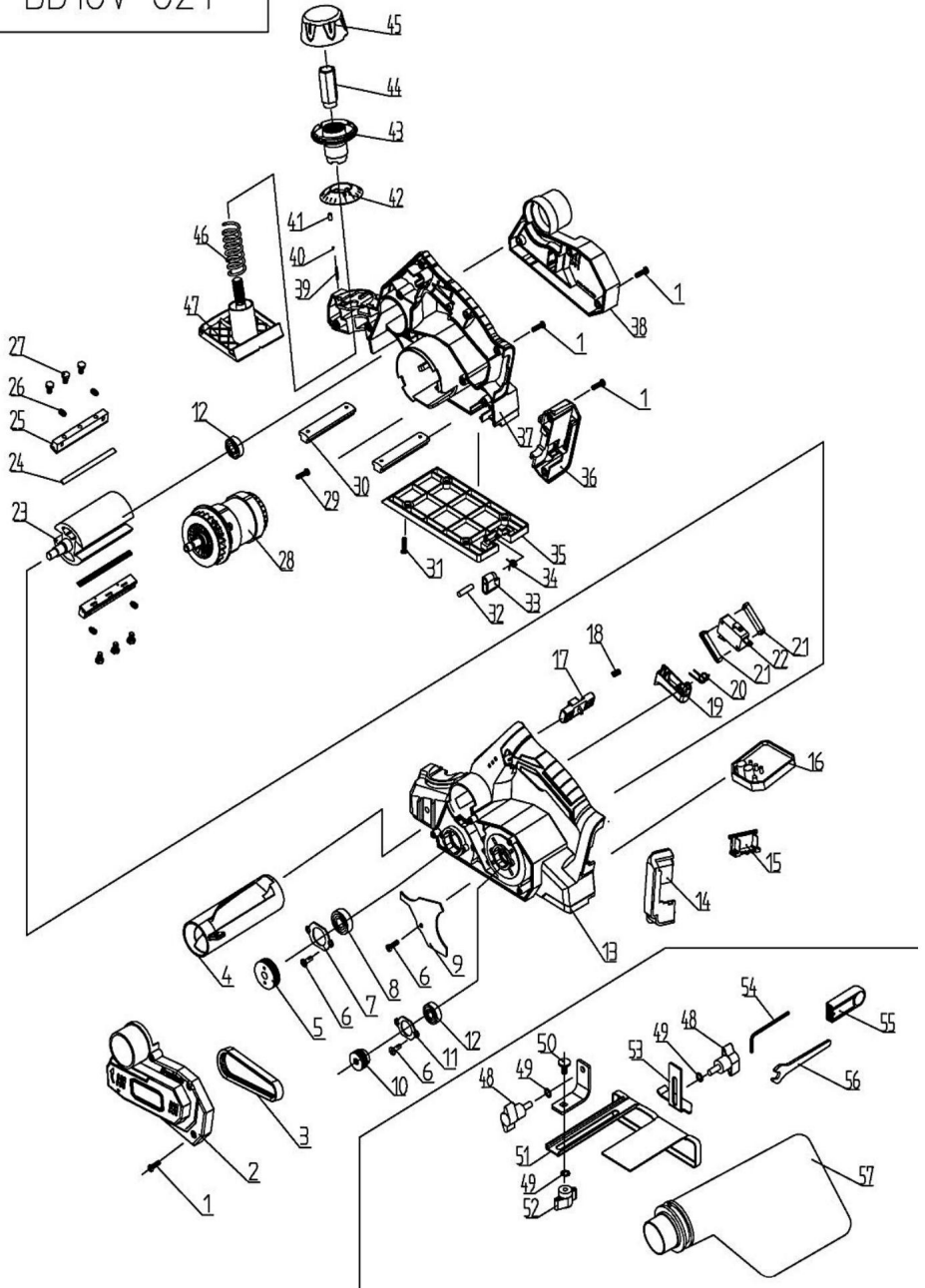
NUMÉRO DE PIÈCE	DESCRIPTION	Qté
1	Guide parallèle	
1-1	Guide parallèle	1 pièce
1-2	Support de guidage parallèle	1 pièce
1-3	Écrou papillon	1 pièce
1-4	Rondelle plate	1 pièce
1-5	Boulons à collet carré	1 pièce
2	Guide de profondeur	1 pièce
3	Clé Allen intérieure	1 pièce
4	Clé à molette	1 pièce
5	Couvercle de clé	1 pièce
6	Vis papillon	2 pièces
7	Rondelle plate	2 pièces
8	Sac à poussière	1 pièce
9	Lame	1 ENSEMBLE

## ACCESSOIRES--RABOTEUSE SANS BALAIS AVEC BOÎTE BMC



NUMÉRO DE PIÈCE	DESCRIPTION	Qté
1	Guide parallèle	
1-1	Guide parallèle	1 pièce
1-2	Support de guidage parallèle	1 pièce
1-3	Écrou papillon	1 pièce
1-4	Rondelle plate	1 pièce
1-5	Boulons à collet carré	1 pièce
2	Guide de profondeur	1 pièce
3	Clé Allen intérieure	1 pièce
4	Clé à molette	1 pièce
5	Couvercle de clé	1 pièce
6	Vis papillon	2 pièces
7	Rondelle plate	2 pièces
8	Sac à poussière	1 pièce
9	Lame	1 ENSEMBLE
10	Changeur	1 pièce
11	de piles	1 pièce

DB18V-821



DB18V-821B							
NON.	DESCRIPTION	Qté		NON.	DESCRIPTION	Qté	
1	VIS TÔLE ST4*14	20 PIÈCES	30		CONSEIL DE SOUTIEN	2	PC
2	COUVERTURE DE COURROIE	1	PCS 31		VIS TÔLE ST4*12	4	PC
3	CEINTURE	1	PCS 32		GOUPILLE CYLINDRIQUE 5*32	1	PC
4	TUBE À POUSSIÈRE	1	PCS 33		PARC REPOS	1	PC
5	POULIE EN V (GRANDE)	1	PCS 34		RESSORT DE TORSION	1	PC
6	VIS TÔLE ST4X12	5 PIÈCES	35		BASE	1	PC
7	COUVERCLE DE ROULEMENT	1	PCS 36		COUVERCLE DE BROCHE DE BATTERIE (2)	1	PC
8	ROULEMENT À BILLES 6000RS	1	PCS 37		LOGEMENT ADEQUAT	1	PC
9	DÉFLECTEUR DE POUSSIÈRE	1	PCS 38		COUVERTURE ARRIÈRE	1	PC
10	POULIE EN V (PETITE)	1	PCS 39		RESSORT DE TORSION	1	PC
11	COUVERCLE DE ROULEMENT	1	PCS 40		BILLE D'ACIER 2.5	1	PC
12	ROULEMENT À BILLES 608RS	2 PIÈCES	41		BALLE	1	PC
13	LOGEMENT GAUCHE	1	PCS 42		ÉCHELLE DE PROFONDEUR	1	PC
14	COUVERCLE DE BROCHE DE BATTERIE (1)	1	PCS 43		BOUTON	1	PC
15	BROCHE DE LA BATTERIE	1	PCS 44		ÉCROU DE RÉGLAGE	1	PC
16	CARTE DE CONTRÔLE PCB	1	PCS 45		COUVERCLE DE BOUTON	1	PC
17	BOUTON DE VERROUILLAGE	1	PCS 46		RESSORT DE RÉGLAGE	1	PC
18	PRINTEMPS	1	PCS 47		BASE AVANT	1	PC
19	BOUTON D'INTERRUPTEUR	1	PCS 48		VIS PAPILLON	2	PC
20	RESSORT DE TORSION	1	PCS 49		RONDELLE PLATEφ6	3	PC
21	BASE DE COMMUTATEUR	2 PIÈCES	50		BOULON À COL CARRÉ M6X12	1	PC
22	CHANGER	1	PCS 51		GUIDE DE BORD	1	PC
23	ROULEAU	1	PCS 52		ÉCROU PAPILLON	1	PC
24	LAME	2 PIÈCES	53		GUIDES DE PROFONDEUR	1	PC
25	PORTE-LAME	2 PIÈCES	54		CLÉ HEXAGONALE INTERNE 1		PC
26	VIS M5*10	4 PIÈCES	55		RANGEMENT DE CLÉ	1	PC
27	BOULON HEXAGONAL M5*8	6 PIÈCES	56		CLÉ	1	PC
28	MOTEUR SANS BALAIS	1	PCS 57		SAC À POUSSIÈRE	1	PC
29	VIS TÔLE ST4*10	2 pièces					

Fabricant : Shanghaimuxinmuyeyouxiangongsi

Adresse : Shuangchenglu 803nong11hao1602A-1609shi, baoshanqu, Shanghai  
200000 CN.

Importé en Australie : SIHAO PTY LTD, 1 ROKEVA STREET, ASTWOOD NSW  
2122 Australie

Importé aux États-Unis : Sanven Technology Ltd., Suite 250, 9166 Anaheim Place, Rancho  
Cucamonga, CA 91730

REPRÉSENTANT	DE LA CE
--------------	----------

E-CrossStu GmbH

Mainzer Landstr.69, 60329 Francfort-sur-le-Main.

REPRÉSENTANT	DU ROYAUME-UNI
--------------	----------------

YH CONSULTING LIMITÉE.

C/O YH Consulting Limited Bureau 147, Centurion House,  
Route de Londres, Staines-upon-Thames, Surrey, TW18 4AX

**VEVOR**®  
**TOUGH TOOLS, HALF PRICE**

Assistance technique et certificat de garantie  
électronique [www.vevor.com/support](http://www.vevor.com/support)

# VEVOR®

## TOUGH TOOLS, HALF PRICE

Technischer Support und E-Garantie-Zertifikat [www.vevor.com/support](http://www.vevor.com/support)

### PLÄNE

**MODELL:DB18V-821**

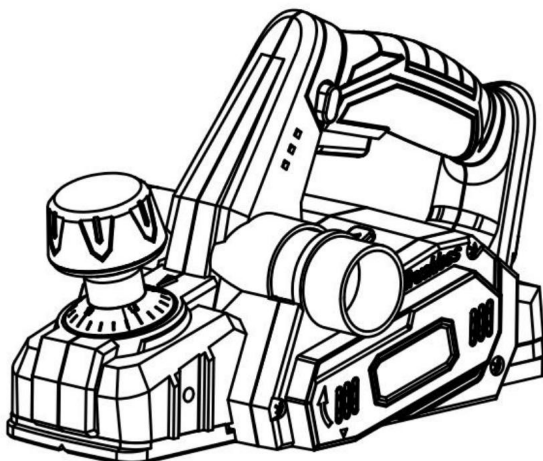
Wir sind weiterhin bestrebt, Ihnen Werkzeuge zu wettbewerbsfähigen Preisen anzubieten. „Sparen Sie die Hälfte“, „Halber Preis“ oder andere ähnliche Ausdrücke, die wir verwenden, stellen nur eine Schätzung der Ersparnis dar, die Sie beim Kauf bestimmter Werkzeuge bei uns im Vergleich zu den großen Topmarken erzielen können, und decken nicht notwendigerweise alle von uns angebotenen Werkzeugkategorien ab. Wir möchten Sie freundlich daran erinnern, bei Ihrer Bestellung bei uns sorgfältig zu prüfen, ob Sie im Vergleich zu den großen Topmarken tatsächlich die Hälfte sparen.

# VEVOR<sup>®</sup>

TOUGH TOOLS, HALF PRICE

PLÄNE

MODELL:DB18V-821



! WARNUNG: Um das Verletzungsrisiko zu verringern, muss der Benutzer

Machen Sie sich vor der Verwendung dieses Produkts mit der Bedienungsanleitung vertraut.

## Brauchen Sie Hilfe? Kontaktieren Sie uns!

Sie haben Fragen zu unseren Produkten? Sie benötigen technischen Support? Dann kontaktieren Sie uns gerne:

**Technischer Support und E-Garantie-Zertifikat**

**[www.vevor.com/support](http://www.vevor.com/support)**

Dies ist die Originalanleitung. Bitte lesen Sie alle Anweisungen sorgfältig durch, bevor Sie das Gerät in Betrieb nehmen. VEVOR behält sich eine klare Auslegung unserer Bedienungsanleitung vor. Das Erscheinungsbild des Produkts richtet sich nach dem Produkt, das Sie erhalten haben. Bitte verzeihen Sie uns, dass wir Sie nicht erneut informieren, wenn es Technologie- oder Software-Updates für unser Produkt gibt.

## INHALTSVERZEICHNIS

•Allgemeine Sicherheitshinweise für Elektrowerkzeuge.....	03
•Sicherheitshinweise für Hobel.....	06
•Symbole.....	08
•Funktionen.....	10
•Montage.....	10
•Bedienung .....	11
•Zubehör.. ..	26

## ALLGEMEINE SICHERHEITSHINWEISE FÜR ELEKTROWERKZEUGE



Lesen Sie alle Sicherheitshinweise und Anweisungen. Bei Nichtbeachtung der Hinweise und Anweisungen können zu Stromschlag, Brand und/oder schweren Verletzungen führen.

### **Bewahren Sie alle Sicherheitshinweise und Anweisungen für die Zukunft auf.**

Der Begriff "Elektrowerkzeug" in den Warnhinweisen bezieht sich auf Ihr netzbetriebenes (kabelgebundenes) Elektrowerkzeug oder batteriebetriebenes (kabelloses) Elektrowerkzeug.

### **SICHERHEIT AM ARBEITSBEREICH**

ÿ Halten Sie den Arbeitsbereich sauber und gut beleuchtet. Unordnung oder dunkle Bereiche laden Unfälle.

ÿ Betreiben Sie Elektrowerkzeuge nicht in explosionsgefährdeten Bereichen, wie z. B.

Vorhandensein von brennbaren Flüssigkeiten, Gasen oder Staub. Elektrowerkzeuge erzeugen Funken die den Staub oder die Dämpfe entzünden könnten.

ÿ Halten Sie Kinder und andere Personen während der Benutzung des Elektrowerkzeugs fern.

Durch Ablenkung können Sie die Kontrolle verlieren.

### **ELEKTRISCHE SICHERHEIT**

ÿ Der Stecker des Elektrowerkzeugs muss in die Steckdose passen. Verändern Sie den Stecker niemals in irgendeiner Weise.

Verwenden Sie keine Adapterstecker mit geerdeten Elektrowerkzeugen.

Unveränderte Stecker und passende Steckdosen verringern das Risiko eines Stromschlags. ÿ Vermeiden Sie Körperkontakt mit geerdeten Oberflächen wie Rohren, Heizkörpern, Herden und Kühlschränken. Es besteht ein erhöhtes Risiko eines Stromschlags.

Stromschlag, wenn Ihr Körper geerdet ist.

ÿ Setzen Sie Elektrowerkzeuge nicht dem Regen oder Nässe aus.

Elektrowerkzeug erhöht das Risiko eines elektrischen Schlages. ÿ

Missbrauchen Sie das Kabel nicht. Verwenden Sie das Kabel niemals zum Tragen, Ziehen oder

Trennen Sie das Elektrowerkzeug vom Stromnetz. Halten Sie das Kabel fern von Hitze, Öl, scharfen Kanten oder bewegliche Teile. Beschädigte oder verwickelte Kabel erhöhen das Risiko Stromschlag.

- Wenn Sie ein Elektrowerkzeug im Freien benutzen, verwenden Sie ein Verlängerungskabel, das für den Einsatz im Freien. Die Verwendung eines für den Außenbereich geeigneten Kabels verringert das Risiko
- Wenn der Betrieb eines Elektrowerkzeugs in feuchter Umgebung nicht zu vermeiden ist, verwenden Sie eine Erdung Fehlerstrom-Schutzschalter (GFCI) geschützte Versorgung. Die Verwendung eines GFCI reduziert es besteht die Gefahr eines Stromschlags.
- Verwenden Sie dieses Produkt nur mit den in der Werkzeug-/Geräte-/Ergänzung zur Korrelation von Akkupack und Ladegerät 987000-432.

## **PERSÖNLICHE SICHERHEIT**

- Bleiben Sie wachsam, achten Sie darauf, was Sie tun, und verwenden Sie Ihren gesunden Menschenverstand, wenn Benutzen Sie kein Elektrowerkzeug, wenn Sie müde sind oder unter dem Einfluss von Drogen, Alkohol oder Medikamenten. Ein Moment der Unachtsamkeit beim Umgang mit Elektrowerkzeugen kann zu schweren Verletzungen führen. Verletzung.
- Benutzen Sie persönliche Schutzausrüstung und tragen Sie immer eine Schutzbrille. Schutzausrüstung wie Staubmaske, rutschfeste Sicherheitsschuhe, Schutzhelm oder Gehörschutz je nach Einsatzbedingungen verringern Personenschäden.
- Verhindern Sie unbeabsichtigtes Starten. Stellen Sie sicher, dass sich der Schalter in der Aus-Position befindet bevor Sie das Gerät an die Stromquelle und/oder den Akku anschließen, es aufheben oder Tragen des Werkzeugs. Tragen Sie Elektrowerkzeuge mit dem Finger auf dem Schalter oder Einschalten Das Benutzen eingeschalteter Werkzeuge kann zu Unfällen führen.
- Entfernen Sie alle Einstellschlüssel oder Schraubenschlüssel, bevor Sie das Elektrowerkzeug einschalten. Ein in einem rotierenden Teil des Elektrowerkzeugs steckender Schraubenschlüssel oder Schlüssel kann Dies kann zu Verletzungen führen.
- Überstrecken Sie sich nicht. Achten Sie stets auf den richtigen Stand und das Gleichgewicht. ermöglicht eine bessere Kontrolle des Elektrowerkzeugs in unerwarteten Situationen. • Ziehen Sie sich angemessen an. Tragen Sie keine weite Kleidung oder Schmuck. Halten Sie Haare, Kleidung und Handschuhe von beweglichen Teilen fernhalten. Lose Kleidung, Schmuck oder lange Haare können in beweglichen Teilen hängen bleiben. • Wenn Vorrichtungen für den Anschluss von Staubabsaugung und

Sammelstellen, stellen Sie sicher, dass diese angeschlossen und ordnungsgemäß verwendet werden. der Staubabsaugung können staubbedingte Gefahren verringert werden.

• Tragen Sie keine weite Kleidung oder Schmuck. Tragen Sie lange Haare. Weite Kleidung,

Schmuck oder lange Haare können in die Lüftungsschlitze gelangen. •

Verwenden Sie keine Leiter oder instabile Stütze. Stabiler Stand auf festem Untergrund ermöglicht eine bessere Kontrolle des Elektrowerkzeugs in unerwarteten Situationen.

#### **VERWENDUNG UND PFLEGE VON ELEKTROWERKZEUGEN**

• Überlasten Sie das Elektrowerkzeug nicht. Verwenden Sie das richtige Elektrowerkzeug für Ihre Anwendung. Das richtige Elektrowerkzeug erledigt die Arbeit besser und sicherer bei der

• Benutzen Sie das Elektrowerkzeug nicht,

wenn der Schalter nicht ein- und ausschaltet.

Elektrowerkzeug, das nicht mit dem Schalter gesteuert werden kann, ist gefährlich und muss repariert werden. •

Ziehen Sie den Stecker aus der Steckdose und/oder den Akkupack aus der

das Elektrowerkzeug, bevor Sie Einstellungen vornehmen, Zubehörteile wechseln oder das Elektrowerkzeug weglegen. Solche vorbeugenden Sicherheitsmaßnahmen verringern das Risiko

Gefahr eines unbeabsichtigten Startens des Elektrowerkzeugs.

• Bewahren Sie unbenutzte Elektrowerkzeuge außerhalb der Reichweite von Kindern auf und lassen Sie

Personen, die mit dem Elektrowerkzeug oder dieser Anleitung nicht vertraut sind,

das Elektrowerkzeug. Elektrowerkzeuge sind gefährlich in den Händen von unerfahrenen Benutzer.

• Warten Sie Elektrowerkzeuge. Überprüfen Sie, ob bewegliche Teile falsch ausgerichtet sind oder klemmen, ob Teile gebrochen sind oder ob andere Bedingungen vorliegen, die die Leistung beeinträchtigen können.

Bei Beschädigungen das Elektrowerkzeug reparieren lassen, bevor es

Gebrauch.Viele Unfälle sind auf schlecht gewartete Elektrowerkzeuge zurückzuführen. • Halten Sie

Schneidwerkzeuge scharf und sauber. Richtig gewartete Schneidwerkzeuge

mit scharfen Schneidkanten verklemmen sich weniger und sind leichter zu kontrollieren. • Verwenden Sie

Elektrowerkzeug, Zubehör, Einsatzwerkzeuge usw. entsprechend diesen

Anweisungen unter Berücksichtigung der Arbeitsbedingungen und der zu

Verwendung des Elektrowerkzeugs für andere Zwecke als die

beabsichtigte Verwendung kann zu einer gefährlichen Situation führen.

## **VERWENDUNG UND PFLEGE VON AKKUWERKZEUGEN**

ÿ Laden Sie nur mit dem vom Hersteller angegebenen Ladegerät auf. Ein Ladegerät für einen bestimmten Akkutyp geeignet ist, besteht Brandgefahr, wenn mit einem anderen Akkupack verwendet

werden. ÿ Verwenden Sie Elektrowerkzeuge nur mit dafür vorgesehenen Akkupacks.

Bei allen anderen Akkus besteht Verletzungs- und Brandgefahr.

ÿ Wenn der Akku nicht verwendet wird, halten Sie ihn von anderen Metallgegenständen fern.

wie Büroklammern, Münzen, Schlüssel, Nägel, Schrauben oder andere kleine Metallgegenstände, die eine Verbindung von einem Terminal zum anderen herstellen kann.

Das Zusammenstecken der Batteriepole kann zu Verbrennungen oder

Bränden führen. ÿ Unter unsachgemäßem Gebrauch kann Flüssigkeit aus der Batterie austreten; vermeiden Sie

Kontakt. Bei versehentlichem Kontakt mit Wasser spülen. Bei Kontakt mit Flüssigkeit

Augen, suchen Sie zusätzlich ärztliche Hilfe auf. Aus der Batterie austretende Flüssigkeit kann

kann zu Reizungen oder Verbrennungen führen.

## **SERVICE**

ÿ Lassen Sie Ihr Elektrowerkzeug nur von einem qualifizierten Reparaturfachmann warten und verwenden Sie dabei identische Ersatzteile. Dadurch wird die Sicherheit des Netzteils gewährleistet Werkzeug wird gewartet.

ÿ Verwenden Sie bei der Wartung eines Elektrowerkzeugs nur identische Ersatzteile.

Befolgen Sie die Anweisungen im Abschnitt „Wartung“ dieses Handbuchs.

Nicht autorisierte Teile oder die Nichtbeachtung der Wartungsanweisungen können

Es besteht die Gefahr eines Stromschlags oder einer Verletzung.

## **SICHERHEITSHINWEISE FÜR HOBEL**

ÿ Warten Sie, bis der Fräser zum Stillstand gekommen ist, bevor Sie das Werkzeug ablegen.

rotierendes Schneidwerkzeug kann in die Oberfläche eingreifen, was zu einem möglichen Kontrollverlust führen kann und schwere Verletzungen.

ÿ Verwenden Sie Klemmen oder eine andere praktische Methode, um die

Werkstück auf einer stabilen Plattform. Halten Sie das Werkstück mit der Hand oder gegen die

Körper instabil wird und zum Verlust der Kontrolle führen kann. ÿ Halten Sie das

Elektrowerkzeug nur an den isolierten Griffflächen fest.

• Machen Sie sich mit Ihrem Elektrowerkzeug vertraut. Lesen Sie die Bedienungsanleitung sorgfältig durch.

Einsatzmöglichkeiten und Einschränkungen sowie die spezifischen Gefahrenpotenziale im Zusammenhang mit diesem Elektrowerkzeug. Das Befolgen dieser Regel verringert das Risiko

Dies kann zu Stromschlag, Feuer oder schweren Verletzungen führen.

• Tragen Sie immer einen Augenschutz mit Seitenschutz, der entsprechend den

ANSI Z87.1. Die Einhaltung dieser Regel verringert das Risiko schwerer Verletzungen

Verletzung.

• Schützen Sie Ihre Lunge. Tragen Sie eine Gesichts- oder Staubmaske, wenn bei der Arbeit Staub entsteht.

Durch die Befolgung dieser Regel verringern Sie das Risiko schwerer Verletzungen. • Schützen Sie

Ihr Gehör. Tragen Sie bei längerem

Betrieb. Das Befolgen dieser Regel verringert das Risiko schwerer Verletzungen

Verletzung.

• Akku-Werkzeuge müssen nicht an eine Steckdose angeschlossen werden; daher

Sie sind immer in betriebsbereitem Zustand. Beachten Sie mögliche Gefahren

wenn Sie Ihr Akkuwerkzeug nicht verwenden oder Zubehör wechseln.

Die Einhaltung dieser Regel verringert das Risiko eines elektrischen Schlags, eines Brandes oder einer schweren Personenschäden. •

Akkuwerkzeuge und deren Akkus nicht in der Nähe von Feuer oder Hitze platzieren. Dies

das Risiko einer Explosion und einer möglichen Verletzung zu verringern.

• Akkupack nicht zerdrücken, fallen lassen oder beschädigen. Verwenden Sie keinen Akkupack oder

Ladegerät, das heruntergefallen ist oder einen heftigen Schlag abbekommen hat. Ein beschädigtes

Batterie ist explosionsgefährdet. Entsorgen Sie eine heruntergefallene oder

beschädigte Batterie sofort. • Batterien können

in Gegenwart einer Zündquelle explodieren, wie z. B.

Zündflamme. Um die Gefahr schwerer Verletzungen zu verringern, verwenden Sie niemals

schnurloses Produkt in der Nähe von offenem Feuer. Eine explodierte Batterie kann

sprühen Schmutz und Chemikalien. Bei Kontakt sofort mit Wasser abspülen. • Laden Sie das Akkuwerkzeug

nicht an einem feuchten oder nassen Ort auf. Verwenden, lagern oder

Laden Sie Akkus oder Produkte an Orten auf, wo die Temperatur

weniger als 50 °F. Über 100 °F. Nicht im Freien oder in Fahrzeugen lagern.

• Unter extremen Einsatz- oder Temperaturbedingungen kann es zu einem Auslaufen der Batterie kommen.

auftreten. Wenn Flüssigkeit mit der Haut in Kontakt kommt, waschen Sie sie sofort mit

Seife und Wasser. Wenn Flüssigkeit in Ihre Augen gelangt, spülen Sie sie mit klarem Wasser aus




mindestens 10 Minuten lang einwirken lassen, dann sofort einen Arzt aufsuchen.

Diese Regel verringert das Risiko schwerer Verletzungen.




• Bewahren Sie diese Anleitung auf. Lesen Sie sie regelmäßig durch und verwenden Sie sie, um unterweisen Sie andere, die dieses Werkzeug benutzen könnten. Wenn Sie jemandem dieses Werkzeug leihen, Geben Sie ihnen auch diese Anweisungen.



## SYMBOLE

Die folgenden Signalwörter und Bedeutungen sollen die Stufen erläutern des mit diesem Produkt verbundenen Risikos.

SYMBOL	SIGNAL	BEDEUTUNG
	GEFAHR	Weist auf eine gefährliche Situation hin, die, wenn sie nicht vermieden wird, führt zum Tod oder zu schweren Verletzungen
	WARNUNG	Weist auf eine gefährliche Situation hin, die, wenn sie nicht vermieden werden, kann zu schweren oder tödlichen Verletzungen führen
	VORSICHT	Weist auf eine gefährliche Situation hin, die, wenn sie nicht vermieden werden, kann zu schweren oder tödlichen Verletzungen führen
	BEACHTEN:	(Ohne Sicherheitswarnsymbol) Zeigt Informationen an als wichtig erachtet, aber nicht mit einem potenziellen Personenschäden (z. B. Meldungen über Sachschäden).

Einige der folgenden Symbole können auf diesem Produkt verwendet werden. Bitte lesen Sie sie und lernen Sie ihre Bedeutung. Die richtige Interpretation dieser Symbole ermöglicht es Ihnen, Bedienen Sie das Produkt besser und sicherer.

SYMBOL	SIGNAL	BEDEUTUNG
	Sicherheitsalarm	Weist auf eine mögliche Verletzungsgefahr hin
	Lesen Sie die Handbuch	Um das Verletzungsrisiko zu verringern, muss der Benutzer Lesen Sie sich vor der Verwendung die Bedienungsanleitung durch dieses Produkt.
	Augenschutz	Tragen Sie immer einen Augenschutz mit Seitenschutz gekennzeichnet als konform mit ANSI Z87.1

	Gehörschutz	Tragen Sie bei der Benutzung dieses Geräts immer einen Gehörschutz. Produkt.
	Tragen Sie Staubmasken	Tragen Sie bei der Verwendung dieses Produkts immer eine Staubmaske. Produkt.
	Nasse Bedingungen Alarm	Nicht dem Regen aussetzen oder an feuchten Orten verwenden.
	Keine Hände Symbol	Wenn Sie Ihre Hände nicht vom Klinge kann zu schweren Verletzungen führen.
	Recycling-Symbol	Dieses Produkt verwendet Lithium-Ionen-Batterien (Li-Ion). Lokale, staatliche oder bundesstaatliche Gesetze können Entsorgung von Batterien im normalen Hausmüll. Informationen erhalten Sie bei Ihrer örtlichen Abfallentsorgungsbehörde. bezüglich möglicher Recycling- und/oder Entsorgungsmöglichkeiten Optionen.
	Richtige Entsorgung	Dieses Produkt unterliegt den Bestimmungen von Europäische Richtlinie 2012/19/EG. Das Symbol zeigt eine durchgestrichene Mülltonne weist darauf hin, dass das Produkt eine separate Müllabfuhr in der Europäischen Union. gilt für das Produkt und sämtliches Zubehör mit diesem Symbol gekennzeichnet. Produkte, die als Diese dürfen nicht mit dem normalen Hausmüll entsorgt werden. Hausmüll, sondern müssen in einer Sammelstelle für das Recycling von Elektro- und Elektronikgeräten elektronische Geräte
	FCC-Erklärung	Dieses Gerät entspricht Teil 15 der FCC Regeln. Der Betrieb unterliegt den folgenden zwei Bedingungen:(1)Dieses Gerät darf keine schädliche Störungen, und (2) dieses Gerät muss Akzeptieren Sie alle empfangenen Störungen, einschließlich Störungen, die zu unerwünschten Betrieb.
V	Volt	Stromspannung
Hz	Hertz	Frequenz (Zyklen pro Sekunde)
Min	Minuten	Zeit
	Leerlaufdrehzahl Drehzahl, bei Leerlauf	
.../min	Pro Minute	Umdrehungen, Hübe, Oberflächengeschwindigkeit, Umlaufbahnen usw. pro Minute.

## MERKMALE

### PRODUKTSPEZIFIKATIONEN

Modell	DB18V-821
Nennspannung	18 V
Leerlaufdrehzahl	16000/min
Maximale Hobelbreite	82 MM
Maximale Hobeltiefe	2 MM
Max. Falztiefe	8 MM
Motortyp	Bürstenlos
Nettogewicht	2,5 kg

## MONTAGE



### WARNUNG:

Benutzen Sie das Produkt nicht, wenn es nicht vollständig zusammengebaut ist oder Teile fehlen oder beschädigt sind. Die Verwendung eines Produkts, das nicht richtig und komplett montiert oder mit beschädigten oder fehlenden Teilen kann es zu

oder schwere Verletzungen zur Folge haben.



### WARNUNG:

Versuchen Sie nicht, dieses Produkt zu modifizieren oder Zubehör oder Anhänge herzustellen nicht für die Verwendung mit diesem Produkt empfohlen. Jede solche Änderung oder Eine missbräuchliche Verwendung der Modifikation kann zu gefährlichen Situationen führen, die zu möglicherweise schweren Verletzungen führen.

## BETRIEB

### **WARNUNG:**

Lassen Sie sich nicht durch die Vertrautheit mit Werkzeugen unvorsichtig machen. Denken Sie daran, dass ein Ein Bruchteil einer unachtsamen Sekunde genügt, um eine schwere Verletzung zu verursachen.

### **WARNUNG:**

Nehmen Sie den Akku immer aus dem Werkzeug heraus, wenn Sie Teile zusammenbauen, Einstellungen vornehmen, es reinigen oder wenn Sie es nicht verwenden. Entfernen des Akkus verhindert ein unbeabsichtigtes Starten, das zu schweren Verletzungen führen könnte.

### **WARNUNG:**

Tragen Sie immer einen Augenschutz mit Seitenschutz, der gemäß ANSI gekennzeichnet ist. Z87.1. Andernfalls können Gegenstände in Ihre Augen geschleudert werden. Dies kann zu schweren Verletzungen führen.

### **WARNUNG:**

Verwenden Sie keine Aufsätze oder Zubehör, die nicht vom Hersteller empfohlen werden. Hersteller dieses Produkts. Die Verwendung von Zubehörteilen oder Zubehör, die nicht empfohlen, kann es zu schweren Verletzungen kommen.

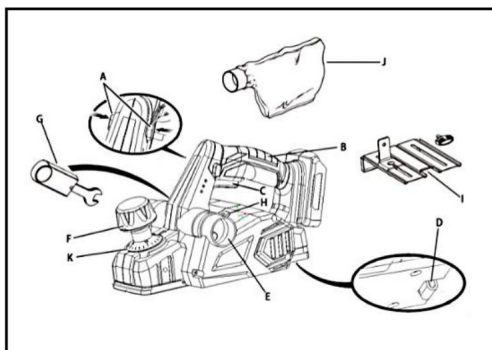
### **Aufmerksamkeit:**

Wenn zu schnell oder zu tief geplant wird, kommt es zu einer Überlastung der Ausrüstung Schutz und verkürzen die Batterielebensdauer. Bitte kontrollieren Sie die Planungsgeschwindigkeit und Tiefe angemessen.

## ANWENDUNGEN

Sie können dieses Werkzeug für die unten aufgeführten Zwecke verwenden:

- Hobeln der Kante einer Holztür oder eines Holzregals
- Hobeln der Kante eines Schnittholzstücks
- Ausführen von Falzschnitten in Holz
- Anfassen scharfer Kanten von Schnittholz

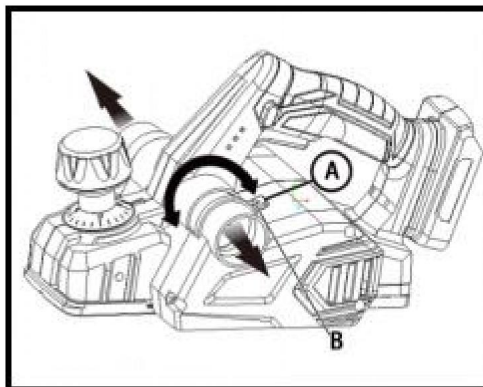


## EINSTELLEN DER AUSPUFFRICHTUNG



### WARNUNG:

Aufgefangener Staub von Hobeloberflächenbeschichtungen wie Polyurethanen, Leinöl usw. kann sich im Hobelstaubbeutel oder anderswo selbst entzünden und Feuer verursachen. Um das Brandrisiko zu verringern, leeren Sie den Staubbeutel während des Hobelns immer häufig. Lagern oder lassen Sie einen Hobel NIEMALS stehen, ohne den Staubbeutel regelmäßig zu leeren. Befolgen Sie auch die Empfehlungen der Beschichtungshersteller.



Ändern Sie die Richtung des Auspuffs nach rechts oder links, um die Richtung des Schutts bei Arbeiten in beengten Bereichen.

**So stellen Sie die Ausblasrichtung und den Staubbeutel ein:**

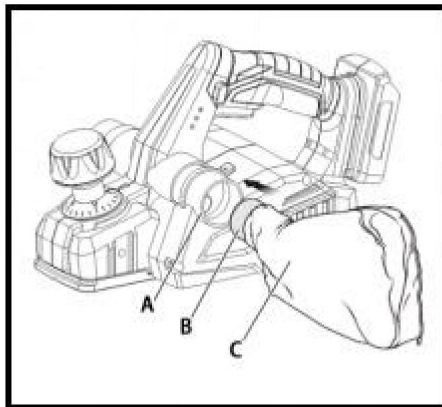
• Den Akku herausnehmen. • So richten

Sie den Auspuff nach rechts aus: Bewegen Sie den Auspuffrichtungshebel so, dass der Pfeil zeigt nach rechts (der Griff zeigt nach links). Installieren Sie den Staubbeutel auf dem rechte Auslassöffnung. •

So richten Sie den Auslass nach links aus: Bewegen Sie den Auslassrichtungshebel so, dass der Pfeil zeigt nach links (der Griff zeigt nach rechts). Installieren Sie den Staubbeutel auf dem linker Auslass.

HINWEIS: Überprüfen Sie, dass der Staubbeutel an den gleichen Anschluss angeschlossen ist, den Sie der Auspuffrichtungshebel.

**Anbringen des Staubbeutels**



• Entnehmen Sie den Akku. • Schieben

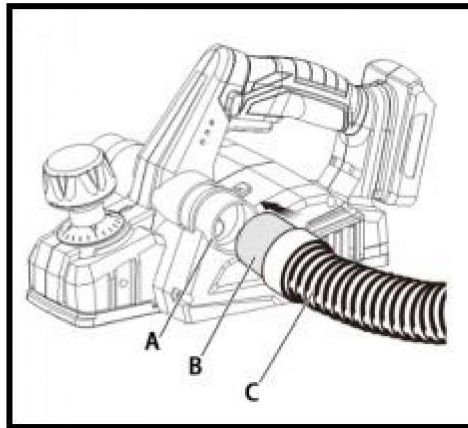
Sie den Kragen des Staubbeutels auf die Abluftöffnung.

HINWEIS: Um den Staubbeutel zu entfernen, ziehen Sie ihn gerade aus der Abluftöffnung.

 **BEACHTEN:**

Der Staubbeutel füllt sich schnell. Leeren Sie ihn häufig, um Schäden am Produkt zu vermeiden.

## Anbringen des Hobels an einem Staubsauger



Das Spanauffangsystem des Hobels verfügt über eine 1-1/4 Zoll Öffnung zum Einführen eines Vakuumschlauch.

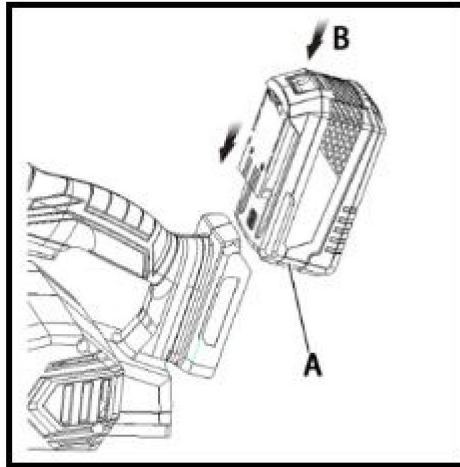
• Entnehmen Sie den Akku. Entfernen Sie den Staubbeutel. • Befestigen Sie einen Saugschlauch an der linken oder rechten Spanabsaugung. • Stellen Sie den Absaugrichtungshebel auf die gewünschte Absaugöffnung. • Schließen Sie den Sauger an eine Stromversorgung an. • Schalten Sie den Sauger ein, bevor Sie mit dem Schneiden beginnen.

### **WARNING:**

Wenn das Werkzeug nicht an den Staubsauger angeschlossen ist, installieren Sie immer den Staubbeutel wieder auf das Werkzeug aufsetzen. Andernfalls können Staub oder Fremdkörper in das Werkzeug gelangen, ins Gesicht oder in die Augen geschleudert werden, was zu schweren Verletzungen führen kann.

Verletzung.

## EINSETZEN/ENTFERNEN DES BATTERIEPACKS



• Verriegeln Sie den Ein-/  
Ausschalter. • Setzen Sie den Akku wie gezeigt in das Produkt ein. •  
Stellen Sie sicher, dass die Riegel auf beiden Seiten des Akkus einrasten.  
und der Akkupack sicher im Produkt befestigt ist, bevor Sie beginnen  
• Drücken

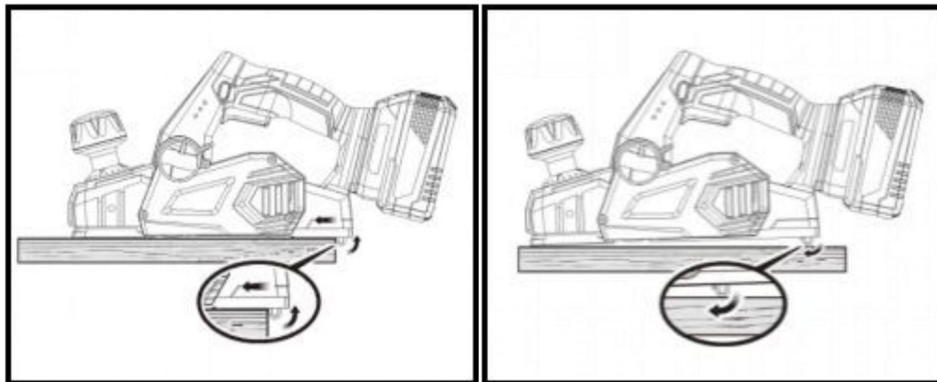
Sie die Verriegelungen, um den Akkupack zu entnehmen. •  
Vollständige Ladeanweisungen finden Sie in den Bedienungsanleitungen für  
Ihr Akkupack und Ladegerät.

## STARTEN/STOPPEN DES HOBELS

• So starten Sie den Hobel: Drücken Sie die Sperrtaste von einer Seite und dann  
Drücken Sie den Ein-/Ausschalter.

• So stoppen Sie den Hobel: Lassen Sie den Ein-/Ausschalter los.

## Ständer

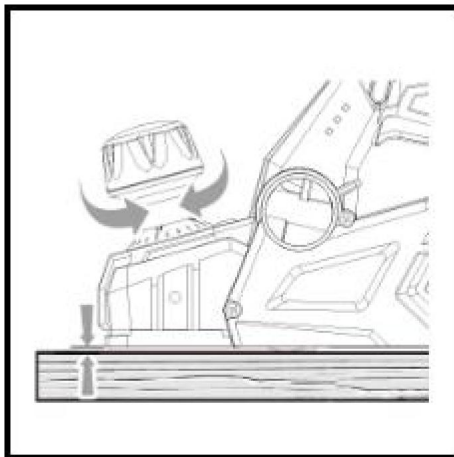


Der Hobel ist mit einem automatisch schwenkbaren Ständer ausgestattet, der verhindert, dass die Klingen die Werkbank berühren, wenn sie nicht verwendet werden. Wenn Sie mit dem Hobeln beginnen, wird der Ständer automatisch eingefahren, wenn er über die Kante des Werkstücks fährt. Wenn Sie den Hobel auf die Werkbank legen, wird der Ständer automatisch nach unten geschwenkt, um zu verhindern, dass die Klinge die Werkbank berührt.

### **WARNUNG:**

Stellen Sie sicher, dass der Ständer jederzeit frei bedienbar ist und dass der Bereich um den Ständer herum frei von Schmutz ist. Andernfalls kann es zu schweren Verletzungen kommen.

## HOBELTIEFE



Wenn Sie mit dem Hobeln eines Rohmaterialstücks beginnen, wird der Hobel nur Entfernen Sie zuerst die hohen Stellen. In den folgenden Durchgängen werden mehr und mehr Material. Indem Sie bei jedem Durchgang nicht mehr als 1/64 Zoll entfernen, werden Sie erzielen Sie selbst beim rauesten Werkstück die glatteste Oberfläche. Machen Sie immer zuerst Probeschnitte in Restholz, um sicherzustellen, dass die Der Hobel entfernt die gewünschte Holzmenge.

### So legen Sie die Planungstiefe fest:

• Den Akku herausnehmen. • Den

Tiefeneinstellknopf im Uhrzeigersinn drehen, um die gewünschte Tiefe einzustellen.

Schnitt. Die maximale Schnitttiefe beträgt 1/16 Zoll.

**HINWEIS:** Verwenden Sie nur gerasterte Tiefeneinstellungen. Schnittversuche mit der Tiefe von Schnitteinstellungen zwischen den Rastpositionen können zu ungleichmäßigen Schnitten führen.

**HINWEIS:** Um die Klingen während der Lagerung, des Transports usw. zu schützen, drehen Sie die Drehen Sie den Tiefeneinstellknopf gegen den Uhrzeigersinn oben auf der Schnittiefenskala, um Parken Sie das Sägeblatt.



**WARNUNG:**

Klemmen Sie das Werkstück immer sicher fest, bevor Sie einen Schnitt ausführen.

während des Schnitts kann zum Verlust der Kontrolle über den Hobel führen und schwere

Verletzungsgefahr. • Klemmen Sie das

Werkstück sicher fest. • Stellen Sie sicher, dass das zu hobelnde Material frei von Nägeln, Klammern oder Schrauben ist. • Stützen Sie das Werkstück so ab, dass der Vorgang auf Ihrer Seite erfolgt.

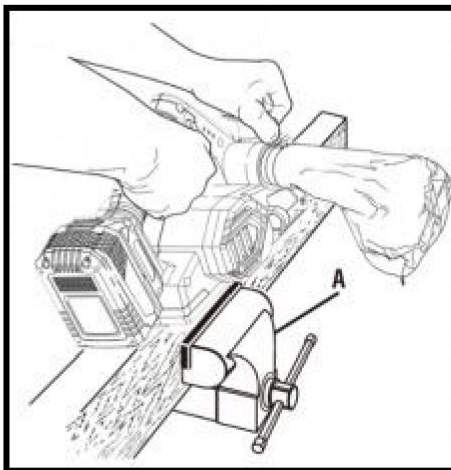
#### **BEACHTEN:**

Zu schnelles Hobeln führt zu einem schlechten Finish und erhöht die Spanbildung im Spanabsaugung. Spanablagerungen behindern den Luftstrom und können zu Motorschäden führen. Überhitzung.

#### **WARNUNG:**

Versuchen Sie nicht, einen verstopften Spanauslass zu reinigen, bis die Klappen zum Stillstand kommen und Sie haben das Produkt von der Stromquelle getrennt. Bei Nichtbeachtung Das Nichtbefolgen dieser Warnung kann zu schweren Verletzungen führen.

#### **PLANUNG**



• Das Werkstück sicher festklemmen

• Stellen Sie die Hobeltiefe ein. Siehe Abschnitt Hobeltiefe weiter oben in diesem Handbuch. • Halten Sie den Tiefeneinstellknopf mit einer Hand und den Griff mit der anderen fest. andererseits.



**WARNUNG:**

Halten Sie das Werkzeug bei allen Arbeiten immer mit beiden Händen fest. So stellen Sie sicher, dass Sie behalten Sie die Kontrolle und vermeiden Sie schwere Verletzungen. Immer richtig Stützen und klemmen Sie das Werkstück so, dass Sie beide Hände frei haben, um die Pläne.

Betreiben Sie das Werkzeug niemals über Kopf oder umgekehrt von der richtigen Betriebsposition aus. Position; es kann zu schweren Verletzungen kommen.

ÿ Platzieren Sie den Vorderschuh an der Kante des zu hobelnden Werkstücks.

HINWEIS: Stellen Sie sicher, dass die Klingen das Werkstück nicht berühren.

ÿ Üben Sie Druck auf den Tiefeneinstellungsknopf aus, so dass der vordere Schuh vollständig flach auf dem Werkstück. Starten Sie den Hobel und lassen Sie den Motor erreichen Maximalgeschwindigkeit.

ÿ Halten Sie den Hobel fest und schieben Sie ihn mit einer langsamen, gleichmäßigen Bewegung nach vorne in das Werkstück. Hobeln Sie langsam und leeren Sie den Staubbeutel häufig. ÿ Üben Sie bei jedem Hobel einen Druck nach unten in Richtung des hinteren Griffs aus. Ende des geplanten Schnitts. Dadurch bleibt der hintere Teil des Hobels Basis in Kontakt mit dem Werkstück und verhindert, dass die Vorderseite des Hobels den Schnitt aushöhlen.



**WARNUNG:**

Achten Sie darauf, beim Hobeln keine Nägel oder Klammern zu treffen.

Dadurch können die Klingen eingekerbt, zerbrochen oder beschädigt werden.

HINWEIS: Wir empfehlen, immer einen zusätzlichen Klingensatz zur Hand zu haben.

Sobald die Messer im Hobel stumpf werden, ersetzen Sie sie sie. Die Klingen sind umkehrbar und können umgedreht werden, bis beide Seiten stumpf geworden.

**FASEN**

Der Hobel ist mit einer Fasennut im vorderen Schuh ausgestattet, um Fasen Sie die Ecken der Bretter wie gezeigt ab. Bevor Sie gutes Holz schneiden,

Üben Sie das Schneiden an Restholz, um die zu entfernende Menge zu ermitteln. ÿ Klemmen Sie das Werkstück fest. ÿ Halten

Sie den Tiefeneinstellknopf mit einer Hand und den Griff mit der andererseits.

ÿ Platzieren Sie die Fasennut auf der zu schneidenden Oberfläche. ÿ Starten

Sie den Hobel und lassen Sie den Motor die Höchstgeschwindigkeit erreichen. ÿ

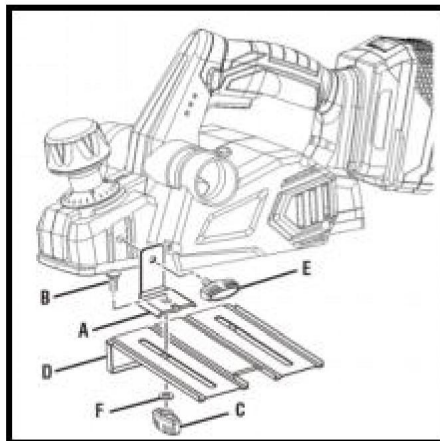
Halten Sie den Hobel fest und schieben Sie ihn mit einer langsamen, gleichmäßigen Bewegung nach vorn in das Werkstück.

ÿ Üben Sie Druck nach unten aus, um den Hobel am Anfang flach zu halten und Ende der Arbeitsfläche.

## KANTEN HOBELN UND FALZSCHNITTE MACHEN

Der Hobel wird mit einer einstellbaren Kantenführung für präzises Kantenhobeln geliefert und Falzschneiden. Befestigen Sie die Kantenführung an beiden Seiten des Hobels für Kantenhobeln und befestigen Sie die Kantenführung auf der linken Seite zum Herstellen Falzschritte.

### Anbringen der Kantenführung zum Hobeln von Kanten



Den Akku herausnehmen. ÿ Die

Halterung an der gewünschten Seite des Hobels anbringen und den Knopf festziehen festschrauben.

• Befestigen Sie die Kantenführung mit der Knopfmutter und dem Schlitten an der Halterung  
Kopfschraube.

• Ziehen Sie die Knopfmutter gut fest.

## **HOBELKANTEN**

Folgen Sie den Anweisungen im Abschnitt „Planung“ weiter oben in diesem Handbuch. Halten Sie die Kantenführung fest gegen die Kante der Arbeitsfläche drücken.

### **Anbringen der Kantenführung für die Herstellung**

#### **FALZSCHNITTE**

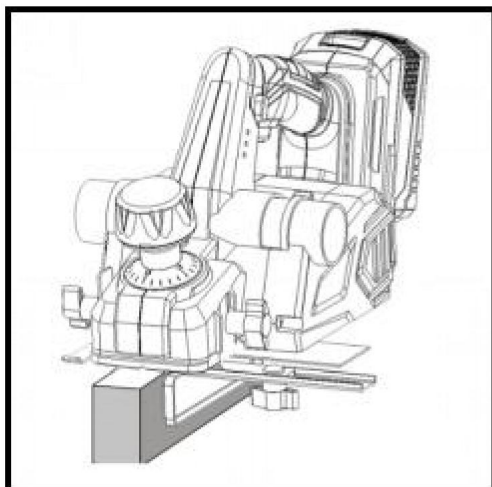
• Den Akkupack herausnehmen. •

Die Halterung an der linken Seite des Hobels anbringen und die Knopfschraube festziehen.  
sicher.

• Befestigen Sie die Kantenführung mit der Knopfmutter und dem  
Schlittenkopfschraube (nicht festziehen).

• Stellen Sie die Kantenführung auf die gewünschte Breite für den Falzschnitt ein. •  
Ziehen Sie die Knopfmutter fest an.

#### **ZUM DURCHFÜHREN VON FALZSCHNITTEN**



Befolgen Sie die Anweisungen im Abschnitt „Planung“ weiter oben in diesem Handbuch.

Kantenführung fest gegen die Kante der Arbeitsfläche drücken.

Die Tiefe des Falzes wird durch die Schnitttiefe und die Anzahl der Durchgänge entlang der Arbeitsfläche.

Die maximale Tiefe des Falzschnitts beträgt 1/2 Zoll und muss in 1/16 Zoll-Durchgängen oder weniger geschnitten werden, um die gewünschte Tiefe zu erreichen. Die Breite des Falzschnitts beträgt durch Verschieben des Kantenanschlags einstellbar.



Bei Wartungsarbeiten dürfen nur identische Ersatzteile verwendet werden. Die Verwendung anderer Teile können eine Gefahr darstellen oder zu Produktschäden führen.



Tragen Sie immer einen Augenschutz mit Seitenschutz, der gemäß ANSI gekennzeichnet ist.

Z87.1. Andernfalls können Gegenstände in Ihre Augen geschleudert werden

Dies kann zu schweren Verletzungen führen.

### **ALLGEMEINE WARTUNG**

Vermeiden Sie die Verwendung von Lösungsmitteln bei der Reinigung von Kunststoffteilen. Die meisten Kunststoffe sind anfällig für Schäden durch verschiedene Arten von handelsüblichen Lösungsmitteln und kann durch ihren Gebrauch beschädigt werden. Entfernen Sie Schmutz, Staub, Öl, Fett usw. mit sauberen Tüchern.



Lassen Sie niemals Bremsflüssigkeiten, Benzin, Produkte auf Erdölbasis, Kriechöle usw. mit Kunststoffteilen in Berührung kommen. Chemikalien können

Kunststoff beschädigen, schwächen oder zerstören, was zu schweren Verletzungen führen kann.

Verletzung.

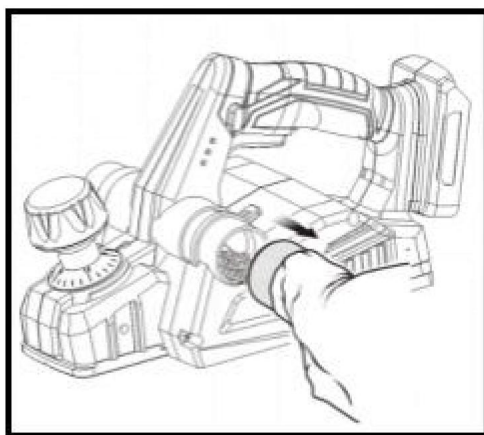
Bei der Verwendung von Elektrowerkzeugen für Glasfasermaterialien, Wandplatten, Spachtelmassen oder Gips kommt es zu beschleunigtem Verschleiß und möglicherweise zu vorzeitigem Ausfall.

weil die Glasfaserspäne und -schleifkörper eine starke Abrasion auf Lager, Bürsten, Kommutatoren usw. ausüben. Daher empfehlen wir nicht die Verwendung von Diesem Werkzeug für die längere Arbeit an diesen Arten von Materialien. Wenn Sie jedoch Arbeiten mit diesen Materialien ist es äußerst wichtig, das Werkzeug zu reinigen mit Druckluft.

## **SCHMIERUNG**

Alle Lager in diesem Werkzeug sind mit einer ausreichenden Menge an hochfestem Schmiermittel der höchsten Güteklasse für die Lebensdauer der Einheit unter normalen Betriebsbedingungen. Eine weitere Schmierung ist daher nicht erforderlich.

## **REINIGUNG DES ABLAUFS UND LEEREN DES STAUBBEUTELS**



Nach längerem Hobeinsatz oder beim Nasshobeln oder Grünholz können sich Späne im Abluftkanal ansammeln und erfordern Reinigung. Spanablagerungen behindern den Luftstrom und führen dazu, dass der Motor Überhitzung. Reinigen Sie regelmäßig die Abluftöffnung und leeren Sie den Staubbeutel. ÿ Entfernen Sie den Akku. ÿ Entfernen

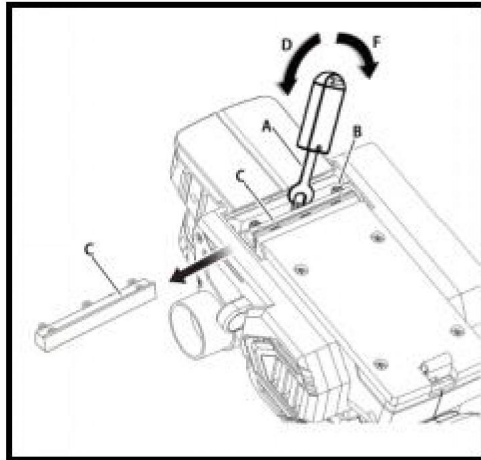
Sie den Staubbeutel aus der Abluftöffnung. ÿ Reinigen Sie die Abluftöffnung des Hobels mit

ein kleines Stück Holz. Benutzen Sie dazu nicht Ihre Hände oder

Finger. ÿ Entleeren Sie den Staubbeutel vollständig und stellen Sie sicher, dass der Kragen frei von Trümmer

ÿ Ersetzen Sie den Staubbeutel.

## Klingenwechsel



Die Hobelmesser sind umkehrbar. Wenn eine Kante stumpf wird, das Messer kann umgedreht werden, so dass die andere Seite verwendet werden kann.

Ersetzen oder wenden Sie die Klingen immer paarweise. Versuchen Sie nicht, Wenn die Klingen im Hobel Anzeichen von Stumpfheit, Absplitterungen oder

Sollten sie in irgendeiner Weise beschädigt sein, ersetzen Sie sie.

Verwenden Sie beim Ersetzen der Klingen nur die empfohlenen Ersatzklingen.

### **WARNUNG:**

Tragen Sie immer dicke Lederhandschuhe und seien Sie vorsichtig beim Lösen der Klinge Schrauben und Handhabung und/oder Wechseln der Klingen. Klingen sind scharf und können kann zu schweren Verletzungen

führen. • Den Akkupack entfernen. •

Den Hobel in umgekehrter Position befestigen. • Die drei

Schrauben, mit denen das Sägeblatt am Sägeblatthalter befestigt ist, lösen, indem

Drehen Sie das Sägeblatt mit dem mitgelieferten Sägeblattschlüssel gegen den Uhrzeigersinn.

**HINWEIS:** Die Schrauben nicht zu weit lösen. Wenn die Schrauben zu locker sind, der neuen Klinge wird nicht genau sein.

**HINWEIS:** Bevor Sie die alten Klingen entfernen, achten Sie auf die Schnittrichtung sowie wie die konische Kante der alten Klingen ausgerichtet ist. Die konische Kante der neuen Klingen muss in der gleichen Ausrichtung wie die der Originalklingen sein. Die Klingen, mit der abgeschrägten Kante auf der gleichen Seite wie die Schraubenköpfe und die flache Kante zeigt zum Messerblock. • Drücken Sie den federbelasteten Klingenschutz nach unten. • Drücken Sie den Klingenhalter mit der Spitze eines Schraubendreher.

• Entfernen Sie die alte Klinge aus dem Klingenhalter, indem Sie die Klinge herausziehen mit der Spitze eines Schraubendrehers.

**HINWEIS:** Wenn sich die Klinge nach dem Lösen nicht leicht aus dem Klingenhalter herauschieben lässt Verwenden Sie einen Holzblock, um die Klinge von der Klinge zu lösen. den Klingenhalter mit einem kurzen kräftigen Schlag. Dann schieben Sie die Klinge mit einem Schraubendreher, um ihn zu entfernen. Wenn nötig, klopfen Sie mit einem kleiner Hammer, um die Klinge loszuschlagen.

• Entfernen Sie Sägemehl und Holzspäne aus dem Bereich des Sägeblatts. • Schieben Sie das neue Sägeblatt in den Schlitz des Sägeblatthalters.

• Mit einem Schraubendreher die Klinge in den Klingenhalter schieben, bis sie in die Mitte gebracht.

• Drücken Sie den federbelasteten Klingenschutz nach unten.

• Setzen Sie den Klingenhalter in die Schneidblockbaugruppe ein. • Ziehen Sie die drei Klingenbefestigungsschrauben mit dem Klingenschlüssel wieder fest. • Wiederholen Sie den obigen Vorgang, um die andere Klinge zu wechseln.

## **RIEMENWECHSEL**

Verwenden Sie zum Ersetzen des Riemens nur den empfohlenen Ersatzriemen. • Entfernen Sie den Akku. • Entfernen Sie die Schrauben der Riemenabdeckung.

• Entfernen Sie die Riemenabdeckung.

• Drücken Sie den alten Riemen durch Drehen in die angegebene Richtung von der kleinen Riemenscheibe. Drehen Sie den Riemen und ziehen Sie ihn von der kleinen Riemenscheibe ab, bis er vollständig von beiden Riemenscheiben entfernt.

• Legen Sie den neuen Riemen über die kleine Riemenscheibe und achten Sie dabei auf die Ausrichtung der Rillen. Drehen Sie den Riemen und schieben Sie ihn auf die große Riemenscheibe, bis er

ÿ Bringen

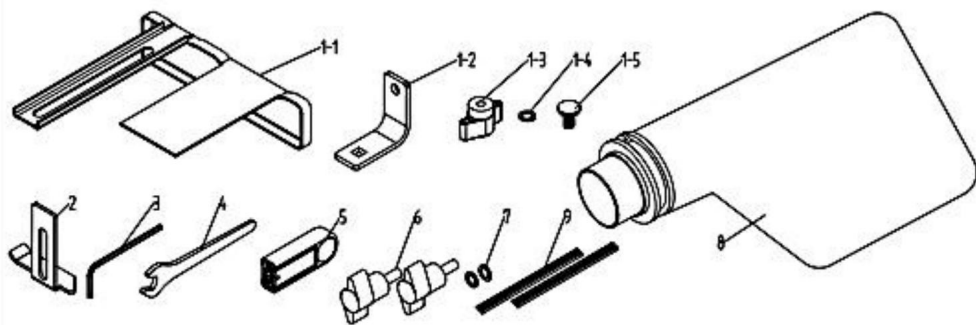
Sie die Riemenabdeckung wieder an. ÿ

Bringen Sie die Schrauben der Riemenabdeckung an und ziehen Sie sie fest an.

HINWEIS: Die Schrauben nicht zu fest anziehen.

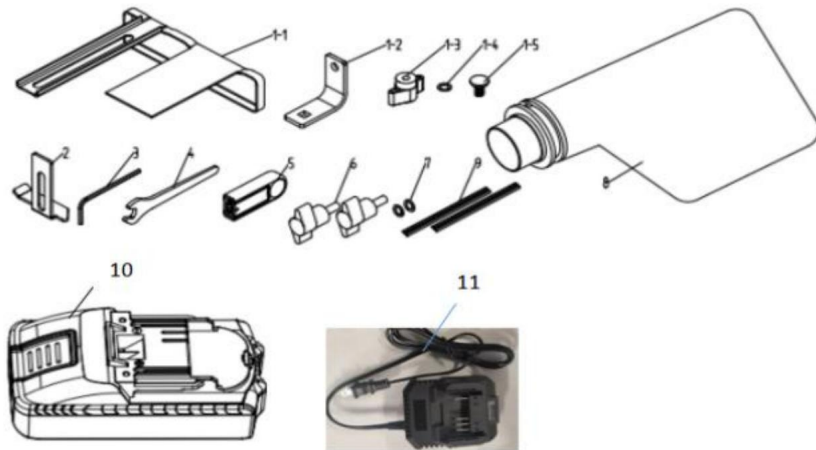
## ZUBEHÖR

### ZUBEHÖR - BÜRSTENLOSER HOBEL MIT FARBKARTON



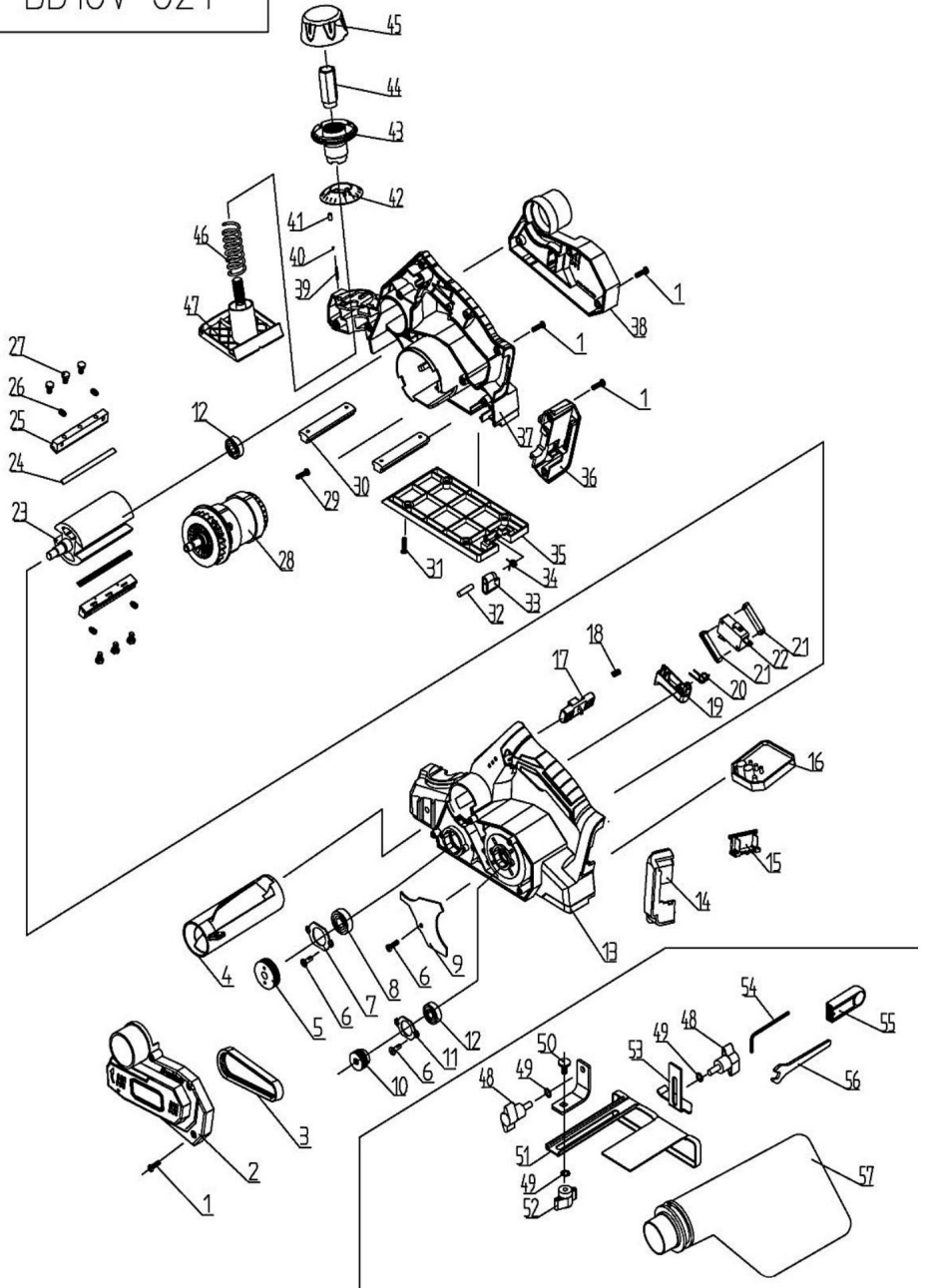
TEIL NR.	BESCHREIBUNG	Menge
1	Parallelführung	
1-1	Parallelführung	1 Stück
1-2	Parallelführungshalterung	1 Stück
1-3	Flügelmutter	1 Stück
1-4	Unterlegscheibe	1 Stück
1-5	Vierkantschrauben	1 Stück
2	Tiefenführung	1 Stück
3	Innensechskantschlüssel	1 Stück
4	Schlüssel	1 Stück
5	Schraubenschlüsselabdeckung	1 Stück
6	Schmetterlingsschraube	2 STK
7	Unterlegscheibe	2 STK
8	Staubbeutel	1 Stück
9	Klinge	1 SATZ

## ZUBEHÖR - BÜRSTENLOSER HOBEL MIT BMC-BOX



TEIL NR.	BESCHREIBUNG	Menge
1	Parallelführung	
1-1	Parallelführung	1 Stück
1-2	Parallelführungshalterung	1 Stück
1-3	Flügelmutter	1 Stück
1-4	Unterlegscheibe	1 Stück
1-5	Vierkantschrauben	1 Stück
2	Tiefenführung	1 Stück
3	Innensechskantschlüssel	1 Stück
4	Schlüssel	1 Stück
5	Schraubenschlüsselabdeckung	1 Stück
6	Schmetterlingschraube	2 STK
7	Unterlegscheibe	2 STK
8	Staubbeutel	1 Stück
9	Klinge	1 SATZ
10		1 Stück
11	Batteriewechsler	1 Stück

DB18V-821



DB18V-821B							
NEIN.	BESCHREIBUNG	Menge		NEIN.	BESCHREIBUNG	Menge	
1	Blechschaube ST4*14	20 Stück	30		Stützbrett	2	PCS
2	RIEMENABDECKUNG	1	PCS 31		Blechschaube ST4*12	4	PCS
3	GÜRTEL	1	PCS 32		ZYLINDERSTIFT 5*32	1	PCS
4	Staubrohr	1	PCS 33		PARK-RUHE	1	PCS
5	V-RIEMENSCHLEIBE (GROSS)	1	PCS 34		DREHFEDER	1	PCS
6	Blechschaube ST4X12	5 Stück	35		BASE	1	PCS
7	LAGERABDECKUNG	1	PCS 36		BATTERIEPIN-ABDECKUNG (2)	1	PCS
8	KUGELLAGER 6000RS	1	PCS 37		RICHTIGES GEHÄUSE	1	PCS
9	STAUBSCHUTZ	1	PCS 38		HINTERE ABDECKUNG	1	PCS
10	V-RIEMENSCHLEIBE (KLEIN)	1	PCS 39		DREHFEDER	1	PCS
11	LAGERABDECKUNG	1	PCS 40		Stahlkugel 2,5	1	PCS
12	KUGELLAGER 608RS	2 PCS	41		KUGEL	1	PCS
13	LINKES GEHÄUSE	1	PCS 42		TIEFENSKALA	1	PCS
14	BATTERIEPIN-ABDECKUNG(1)	1	PCS 43		KNOPF	1	PCS
15	BATTERIE-PIN	1	PCS 44		EINSTELLMUTTER	1	PCS
16	PCB-STEUERPLATINE	1	PCS 45		KNOPFABDECKUNG	1	PCS
17	SPERRKNOPF	1	PCS 46		EINSTELLFEDER	1	PCS
18	FRÜHLING	1	PCS 47		VORDERE BASIS	1	PCS
19	TASTE DES SCHALTERS	1	PCS 48		Schmetterlingsschraube	2	PCS
20	DREHFEDER	1	PCS 49		FLACHE UNTERLEGSCHLEIBE	3	PCS
21	SCHALTERBASIS	2 STK	50		BOLZEN MIT VIERKANTHALS M6X12	1	PCS
22	SCHALTEN	1	PCS 51		KANTENFÜHRUNG	1	PCS
23	ROLLE	1	PCS 52		FLÜGELMUTTER	1	PCS
24	KLINGE	2 STK	53		TIEFENFÜHRER	1	PCS
25	KLINGENHALTER	2 PCS	54		INNENSECHSKANTSCHLÜSSEL 1		PCS
26	SCHRAUBE M5*10	4 Stück	55		SCHLÜSSELAUFBEWAHRUNG	1	PCS
27	SECHSKANTSCHRAUBE M5*8	6 PCS	56		SCHLÜSSEL	1	PCS
28	BÜRSTENLOSER MOTOR	1	PCS 57		STAUBBEUTEL	1	PCS
29	Blechschaube ST4*10	2 STK					

**Hersteller:** Shanghaimuxinmuyeyouxiangongsi

**Adresse:** Shuangchenglu 803nong11hao1602A-1609shi, baoshanqu,  
Shanghai 200000 CN.

**Nach AUS importiert:** SIHAO PTY LTD, 1 ROKEVA STREETEASTWOOD NSW  
2122 Australien

**Importiert in die USA:** Sanven Technology Ltd., Suite 250, 9166 Anaheim Place,  
Rancho Cucamonga, CA 91730

<b>Vertreter der EG</b>	
-------------------------	--

E-CrossStu GmbH

Mainzer Landstr.69, 60329 Frankfurt am Main.

<b>UK REP</b>	
---------------	--

YH CONSULTING LIMITED.

C/O YH Consulting Limited Office 147, Centurion House,  
London Road, Staines-upon-Thames, Surrey, TW18 4AX

**VEVOR**®  
TOUGH TOOLS, HALF PRICE

Technischer Support und E-Garantie-Zertifikat  
[www.vevor.com/support](http://www.vevor.com/support)

# VEVOR<sup>®</sup>

## TOUGH TOOLS, HALF PRICE

Supporto tecnico e certificato di garanzia elettronica [www.vevor.com/support](http://www.vevor.com/support)

## PIANI

**MODELLO:DB18V-821**

Continuiamo a impegnarci per fornirvi strumenti a prezzi competitivi.

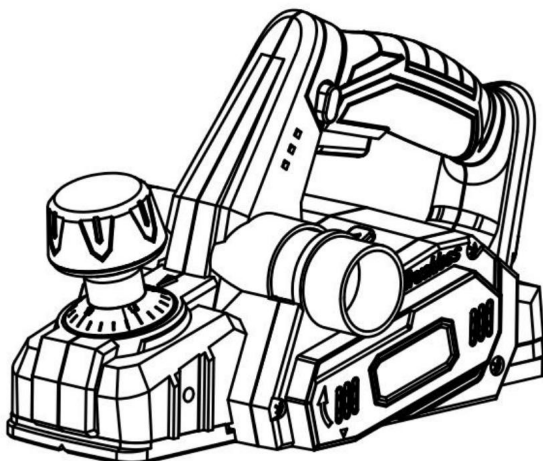
"Risparmia la metà", "Metà prezzo" o qualsiasi altra espressione simile da noi utilizzata rappresenta solo una stima del risparmio che potresti ottenere acquistando determinati utensili con noi rispetto ai principali marchi principali e non significa necessariamente coprire tutte le categorie di utensili da noi offerti. Ti ricordiamo gentilmente di verificare attentamente quando effettui un ordine con noi se stai effettivamente risparmiando la metà rispetto ai principali marchi principali.

# VEVOR<sup>®</sup>

TOUGH TOOLS, HALF PRICE

PIANI

MODELLO:DB18V-821



**ATTENZIONE:** Per ridurre il rischio di lesioni, l'utente deve leggere e comprendere il manuale dell'operatore prima di utilizzare questo prodotto.

## HAI BISOGNO DI AIUTO? CONTATTACI!

Hai domande sui prodotti? Hai bisogno di supporto tecnico? Non esitare a contattarci:

**Supporto tecnico e certificato di garanzia  
elettronica [www.vevor.com/support](http://www.vevor.com/support)**

Questa è l'istruzione originale, si prega di leggere attentamente tutte le istruzioni del manuale prima di utilizzare. VEVOR si riserva una chiara interpretazione del nostro manuale utente. L'aspetto del prodotto sarà soggetto al prodotto ricevuto. Vi preghiamo di perdonarci se non vi informeremo di nuovo se ci sono aggiornamenti tecnologici o software sul nostro prodotto.

## SOMMARIO

• Avvertenze generali sulla sicurezza degli utensili elettrici.....	03
• Avvertenze sulla sicurezza della piallatrice.....	06
• Simboli.....	08
• Caratteristiche.....	10
• Assemblea.....	10
• Funzionamento .....	11
• Accessori. ....	26

## AVVERTENZE GENERALI SULLA SICUREZZA DEGLI UTENSILI ELETTRICI



Leggere tutte le avvertenze di sicurezza e tutte le istruzioni. La mancata osservanza delle avvertenze e le istruzioni possono causare scosse elettriche, incendi e/o lesioni gravi.

### **Conservare tutte le avvertenze e le istruzioni per riferimento futuro.**

Il termine "elettroutensile" nelle avvertenze si riferisce all'apparecchio alimentato dalla rete elettrica. utensile elettrico (con cavo) o utensile elettrico a batteria (senza fili).

### **SICUREZZA NELL'AREA DI LAVORO**

• Mantenere l'area di lavoro pulita e ben illuminata. Le aree disordinate o buie invitano incidenti.

• Non utilizzare utensili elettrici in atmosfere esplosive, come ad esempio presenza di liquidi, gas o polveri infiammabili. Gli utensili elettrici creano scintille che potrebbero incendiare la polvere o i fumi.

• Tenere lontani i bambini e gli astanti durante l'utilizzo di un elettroutensile. Le distrazioni possono farti perdere il controllo.

### **SICUREZZA ELETTRICA**

• Le spine degli utensili elettrici devono essere adatte alla presa. Non modificare mai la spina in alcun modo.

Non utilizzare adattatori con utensili elettrici dotati di messa a terra.

Spine non modificate e prese corrispondenti ridurranno il rischio di scosse elettriche. • Evitare il contatto del corpo con superfici messe a terra o a massa come tubi, radiatori, fornelli e frigoriferi. C'è un rischio maggiore di scosse elettriche.

scossa elettrica se il tuo corpo è collegato a terra o a massa.

• Non esporre gli utensili elettrici alla pioggia o a condizioni di bagnato. L'acqua che penetra in un elettroutensile aumenta il rischio di scosse elettriche. • Non abusare

del cavo. Non utilizzare mai il cavo per trasportare, tirare o

scollegare l'utensile elettrico. Tenere il cavo lontano da calore, olio, bordi taglienti o parti in movimento. I cavi danneggiati o aggrovigliati aumentano il rischio di scossa elettrica.

- ÿ Quando si utilizza un elettroscopio all'aperto, utilizzare una prolunga adatta per uso esterno. L'uso di un cavo adatto all'uso esterno riduce il rischio di scosse elettriche.
- ÿ Se è inevitabile utilizzare un elettroscopio in un luogo umido, utilizzare un'alimentazione protetta da interruttore di circuito di guasto (GFCI). L'uso di un GFCI riduce il rischio di scosse elettriche.
- ÿ Utilizzare questo prodotto solo con le batterie e i caricatori elencati nella sezione utensili/apparecchi/supplemento di correlazione batteria/caricabatteria 987000-432.

## **SICUREZZA PERSONALE**

- ÿ Resta vigile, guarda cosa stai facendo e usa il buon senso quando azionare un elettroscopio. Non utilizzare un elettroscopio quando si è stanchi o sotto l'effetto di droghe, alcol o farmaci. Un momento di disattenzione durante l'uso di utensili elettrici può causare gravi danni personali infortunio.
- ÿ Utilizzare dispositivi di protezione individuale. Indossare sempre protezioni per gli occhi. Dispositivi di protezione come maschera antipolvere, scarpe di sicurezza antiscivolo, casco o protezioni acustiche utilizzati in condizioni appropriate ridurranno lesioni personali.
- ÿ Prevenire l'avvio involontario. Assicurarsi che l'interruttore sia in posizione off prima di collegare alla fonte di alimentazione e/o al pacco batteria, sollevare o portando l'utensile. Trasportare utensili elettrici tenendo il dito sull'interruttore o sull'alimentazione gli utensili con l'interruttore acceso possono causare incidenti.
- ÿ Rimuovere qualsiasi chiave di regolazione o chiave inglese prima di accendere l'utensile elettrico. una chiave inglese o una chiave lasciata attaccata a una parte rotante dell'utensile elettrico potrebbe causare lesioni personali.
- ÿ Non sporgerti troppo. Mantieni sempre un appoggio e un equilibrio adeguati. Questo consente un migliore controllo dell'utensile elettrico in situazioni impreviste. ÿ Vestirti in modo appropriato. Non indossare abiti larghi o gioielli. Tenere i capelli, indumenti e guanti lontano dalle parti in movimento. Abiti larghi, gioielli o i capelli lunghi possono rimanere impigliati nelle parti in movimento. ÿ Se sono previsti dispositivi per il collegamento dell'aspirazione della polvere e

strutture di raccolta, assicurarsi che siano collegate e utilizzate correttamente. Utilizzare di raccolta della polvere può ridurre i rischi correlati alla polvere.

ÿ Non indossare abiti larghi o gioielli. Tenere i capelli lunghi. Abiti larghi, gioielli o capelli lunghi possono essere trascinati nelle prese d'aria.

ÿ Non usare una scala o un supporto instabile. Appoggio stabile su una superficie solida consente un migliore controllo dell'utensile elettrico in situazioni impreviste.

## **USO E CURA DEGLI UTENSILI ELETTRICI**

ÿ Non forzare l'utensile elettrico. Utilizzare l'utensile elettrico corretto per il proprio applicazione. L'utensile elettrico corretto svolgerà il lavoro meglio e in modo più sicuro velocità per la quale è stato progettato. ÿ

Non utilizzare l'utensile elettrico se l'interruttore non si accende e si spegne. Qualsiasi l'utensile elettrico che non può essere controllato con l'interruttore è pericoloso e deve essere riparato. ÿ

Scollegare la spina dalla fonte di alimentazione e/o il pacco batteria dalla l'utensile elettrico prima di effettuare qualsiasi regolazione, cambiare accessori o riporre gli utensili elettrici. Tali misure di sicurezza preventive riducono il rischio di avviare accidentalmente l'elettro utensile.

ÿ Conservare gli utensili elettrici inutilizzati fuori dalla portata dei bambini e non consentirne l'uso. persone che non hanno familiarità con l'utensile elettrico o con le presenti istruzioni per l'uso l'utensile elettrico. Gli utensili elettrici sono pericolosi nelle mani di personale non addestrato utenti.

ÿ Mantenere gli utensili elettrici. Controllare eventuali disallineamenti o inceppamenti delle parti mobili, rotture di parti e qualsiasi altra condizione che possa influire sulla potenza funzionamento dell'utensile. Se danneggiato, far riparare l'utensile elettrico prima uso. Molti incidenti sono causati da utensili elettrici mal mantenuti. ÿ Mantenere gli utensili da

taglio affilati e puliti. Utensili da taglio mantenuti correttamente con bordi taglienti affilati hanno meno probabilità di incepparsi e sono più facili da controllare. ÿ

Utilizzare l'utensile elettrico, gli accessori, le punte degli utensili, ecc., in conformità con queste istruzioni, tenendo conto delle condizioni di lavoro e del lavoro da svolgere essere eseguito. L'uso dell'utensile elettrico per operazioni diverse da quelle intenzionale potrebbe dare luogo a una situazione pericolosa.

## USO E CURA DEGLI UTENSILI A BATTERIA

• Ricaricare solo con il caricabatterie specificato dal produttore. Un caricabatterie che è adatto per un tipo di batteria può creare un rischio di incendio quando utilizzato con un altro pacco batteria. •

Utilizzare gli elettrodomestici solo con pacchi batteria specificatamente designati. L'uso di qualsiasi altro pacco batteria può comportare il rischio di lesioni e incendio.

• Quando la batteria non è in uso, tenerla lontana da altri oggetti metallici, come graffette, monete, chiavi, chiodi, viti o altri piccoli oggetti metallici, che può effettuare una connessione da un terminale all'altro. Cortocircuitando il terminali della batteria insieme possono causare ustioni o incendi. • In condizioni abusive, il liquido può essere espulso dalla batteria; evitare contatto. In caso di contatto accidentale, sciacquare con acqua. In caso di contatto con liquidi occhi, consultare inoltre un medico. Il liquido espulso dalla batteria potrebbe causare irritazioni o ustioni.

## SERVIZIO

• Far riparare l'elettrodomestico da personale qualificato utilizzando solo parti di ricambio identiche. Ciò garantirà la sicurezza dell'alimentazione

lo strumento è sottoposto a manutenzione.

• Durante la manutenzione di un elettrodomestico, utilizzare solo parti di ricambio identiche. Seguire le istruzioni nella sezione Manutenzione di questo manuale. Utilizzo di parti non autorizzate o la mancata osservanza delle istruzioni di manutenzione possono creare il rischio di scosse o lesioni.

### AVVERTENZE DI SICUREZZA PER LA PIALLATRICE

• Attendere che la fresa si fermi prima di appoggiare l'utensile. Un'esposizione la fresa rotante potrebbe incastrarsi nella superficie, con conseguente possibile perdita di controllo e lesioni gravi. •

Utilizzare morsetti o un altro modo pratico per fissare e sostenere il pezzo su una piattaforma stabile. Tenendo il pezzo a mano o contro il corpo lo rende instabile e può causare la perdita del controllo. • Afferrare l'elettrodomestico solo dalle superfici di presa isolate.

• Conosci il tuo elettroutensile. Leggi attentamente il manuale dell'operatore. Impara il suo applicazioni e limitazioni, nonché i potenziali pericoli specifici correlati a questo elettroutensile. Seguire questa regola ridurrà il rischio di scosse elettriche, incendi o lesioni gravi.

• Indossare sempre protezioni per gli occhi con protezioni laterali contrassegnate per essere conformi alle ANSI Z87.1. Seguire questa regola ridurrà il rischio di gravi danni personali infortunio.

• Proteggere i polmoni. Indossare una maschera facciale o antipolvere se l'operazione è polverosa. Seguire questa regola ridurrà il rischio di gravi lesioni personali. • Proteggi il tuo udito.

Indossa protezioni acustiche durante periodi prolungati di operazione. Seguire questa regola ridurrà il rischio di gravi danni personali infortunio.

• Gli utensili a batteria non devono essere collegati a una presa elettrica; pertanto, sono sempre in condizioni operative. Siate consapevoli dei possibili pericoli quando non si utilizza l'utensile a batteria o quando si cambiano gli accessori. Seguire questa regola ridurrà il rischio di scosse elettriche, incendi o gravi lesioni personali. •

Non posizionare gli utensili a batteria o le relative batterie vicino al fuoco o al calore. Ciò ridurre il rischio di esplosione e possibili lesioni. • Non schiacciare,

far cadere o danneggiare il pacco batteria. Non utilizzare un pacco batteria o caricabatterie che è caduto o ha ricevuto un forte colpo. Un caricabatterie danneggiato batteria è soggetta a esplosione. Smaltire correttamente una batteria caduta o batteria danneggiata immediatamente. •

Le batterie possono esplodere in presenza di una fonte di accensione, come un spia luminosa. Per ridurre il rischio di gravi lesioni personali, non utilizzare mai alcun prodotto senza fili in presenza di fiamme libere. Una batteria esplosa può propellere detriti e sostanze chimiche. In caso di esposizione, sciacquare immediatamente con acqua. • Non caricare l'utensile a batteria in un luogo umido o bagnato. Non utilizzare, conservare o caricare batterie o prodotti in luoghi in cui la temperatura è meno di 50° Per più di 100°F. Non conservare all'esterno o nei veicoli.

• In condizioni estreme di utilizzo o temperatura, la batteria potrebbe perdere verificarsi. Se il liquido entra in contatto con la pelle, lavare immediatamente con acqua e sapone. Se il liquido entra negli occhi, sciacquali con acqua pulita per almeno 10 minuti, quindi consultare immediatamente un medico. A seguito

Questa regola ridurrà il rischio di gravi lesioni personali.

• Conservare queste istruzioni. Consultarle frequentemente e utilizzarle per




istruire altri che potrebbero usare questo strumento. Se presti questo strumento a qualcuno, prestalo anche loro queste istruzioni.








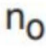
## SIMBOLI

Le seguenti parole segnaletiche e significati hanno lo scopo di spiegare i livelli del rischio associato a questo prodotto.

SEGNALE SIMBOLO		SENSO
	PERICOLO	Indica una situazione pericolosa che, se non evitato, provocherà morte o lesioni gravi
	AVVERTIMENTO	Indica una situazione pericolosa che, se non evitato, potrebbe causare morte o lesioni gravi
	ATTENZIONE	Indica una situazione pericolosa che, se non evitato, potrebbe causare morte o lesioni gravi
	AVVISO:	(Senza simbolo di avviso di sicurezza) Indica informazioni considerato importante, ma non correlato a un potenziale lesioni (ad esempio messaggi relativi a danni alla proprietà).

Alcuni dei seguenti simboli potrebbero essere utilizzati su questo prodotto. Si prega di studiarli e impararne il significato. La corretta interpretazione di questi simboli ti consentirà di utilizzare il prodotto in modo migliore e più sicuro.

SIMBOLO	SEGNALE	SENSO
	Avviso di sicurezza	Indica un potenziale rischio di lesioni personali
	Leggi l'operatore Manuale	Per ridurre il rischio di lesioni, l'utente deve leggere e comprendere il manuale dell'operatore prima di utilizzare questo prodotto.
	Protezione degli occhi	Indossare sempre protezioni per gli occhi con protezioni laterali contrassegnate per essere conforme a ANSI Z87.1

	Protezione dell'udito	Indossare sempre protezioni acustiche quando si utilizza questo prodotto.
	Indossare polvere maschere	Indossare sempre maschere antipolvere quando si utilizza questo prodotto.
	Condizioni di bagnato Attenzione	Non esporre alla pioggia o utilizzare in luoghi umidi
	Senza mani Simbolo	Incapacità di tenere le mani lontane dal lama può causare gravi lesioni personali.
	Simbolo di riciclo	Questo prodotto utilizza batterie agli ioni di litio (Li-ion). Le leggi locali, statali o federali possono proibire smaltimento delle batterie nei rifiuti ordinari. Consultare l'autorità locale per i rifiuti per informazioni per quanto riguarda il riciclaggio e/o lo smaltimento disponibili opzioni.
	Smaltimento corretto	Questo prodotto è soggetto alla fornitura di Direttiva Europea 2012/19/CE. Il simbolo che mostra un bidone della spazzatura attraversato indica che il prodotto richiede una separazione raccolta dei rifiuti nell'Unione Europea. Questo si applica al prodotto e a tutti gli accessori contrassegnati con questo simbolo. I prodotti contrassegnati come tali non possono essere scartati con normalità rifiuti domestici, ma devono essere portati in un punto di raccolta per il riciclaggio di apparecchiature elettriche ed dispositivi elettronici
	Dichiarazione FCC	Questo dispositivo è conforme alla Parte 15 della FCC Regole. Il funzionamento è soggetto alle seguenti due condizioni:(1)Questo dispositivo non può causare interferenze dannose e (2) questo dispositivo deve accettare qualsiasi interferenza ricevuta, inclusa interferenze che possono causare effetti indesiderati operazione.
V	Volt	Voltaggio
Hz	Etero	Frequenza (cicli al secondo)
minimo	Minuti	Tempo
	Velocità a vuoto Velocità di	rotazione, a vuoto
.../min	Per Minute	Rivoluzioni, corse, velocità superficiale, orbite ecc., al minuto.

## CARATTERISTICHE

### SPECIFICHE DEL PRODOTTO

Modello	Modello DB18V-821
Tensione nominale	18V
Velocità a vuoto	16000/min
Larghezza massima di piallatura	82 MILLIMETRI
Profondità massima di planata	2 MILIONI
Profondità massima di battuta	8 MILLIMETRI
Tipo di motore	Senza spazzole
Peso netto	2,5 KG

## ASSEMBLAGGIO



### AVVERTIMENTO:

Non utilizzare questo prodotto se non è completamente assemblato o se alcune parti sembrano mancanti o danneggiati. L'uso di un prodotto non correttamente e completamente assemblato o con parti danneggiate o mancanti potrebbe causare gravi lesioni personali.



### AVVERTIMENTO:

Non tentare di modificare questo prodotto o di creare accessori o allegati non raccomandato per l'uso con questo prodotto. Qualsiasi modifica o la modifica è utilizzata in modo improprio e potrebbe causare una condizione pericolosa che porta a possibili gravi lesioni personali.

## OPERAZIONE

 **AVVERTIMENTO:**

Non permettere che la familiarità con gli strumenti ti renda negligente. Ricorda che un'azione di un secondo di distrazione è sufficiente per provocare gravi lesioni.

 **AVVERTIMENTO:**

Rimuovere sempre il pacco batteria dall'utensile quando si assemblano parti, si eseguono regolazioni, si pulisce o quando non lo si utilizza. Rimozione del pacco batteria impedirà l'avviamento accidentale che potrebbe causare gravi lesioni personali.

 **AVVERTIMENTO:**

Indossare sempre protezioni per gli occhi con protezioni laterali contrassegnate per essere conformi alla norma ANSI Z87.1. In caso contrario, gli oggetti potrebbero essere lanciati negli occhi con conseguenti possibili lesioni gravi.

 **AVVERTIMENTO:**

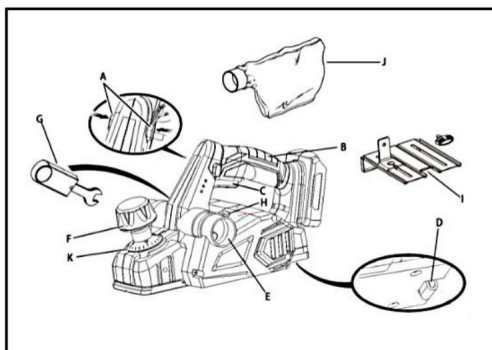
Non utilizzare accessori o dispositivi non consigliati dal produttore di questo prodotto. L'uso di allegati o accessori non raccomandato può causare gravi lesioni personali.

 **Attenzione:**

Quando si pianifica troppo velocemente o troppo in profondità, si verificherà un sovraccarico dell'attrezzatura protezione e ridurre la durata della batteria. Si prega di controllare la velocità di pianificazione e profondità ragionevole.

## APPLICAZIONI

È possibile utilizzare questo strumento per gli scopi elencati di seguito: ÿ Piallatura del bordo di una porta o di uno scaffale in legno ÿ Piallatura del bordo di un pezzo di legno ÿ Esecuzione di tagli a battuta nel legno ÿ Smussatura di bordi taglienti del legno

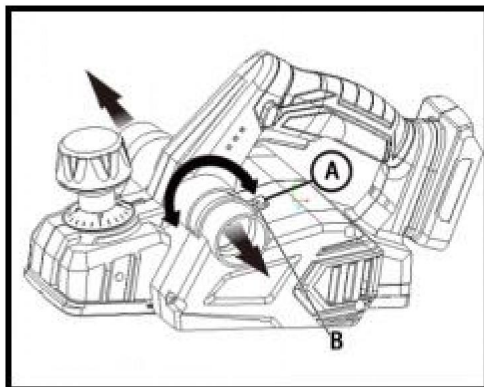


## REGOLAZIONE DELLA DIREZIONE DI SCARICO



### AVVERTIMENTO:

La polvere raccolta dai rivestimenti superficiali di piallatura come poliuretani, olio di lino, ecc., può autoinfiammarsi nel sacchetto raccogli-polvere della pialla o altrove e causare un incendio. Per ridurre il rischio di incendio, svuotare sempre frequentemente il sacchetto raccogli-polvere durante la piallatura. NON riporre o lasciare MAI una pialla senza svuotare il sacchetto raccogli-polvere. Seguire anche le raccomandazioni dei produttori di rivestimenti.



Cambia la direzione dello scarico verso destra o verso sinistra per controllare il direzione dei detriti quando si lavora in aree ristrette.

**Per regolare la direzione di scarico e il sacchetto raccogli-polvere:**

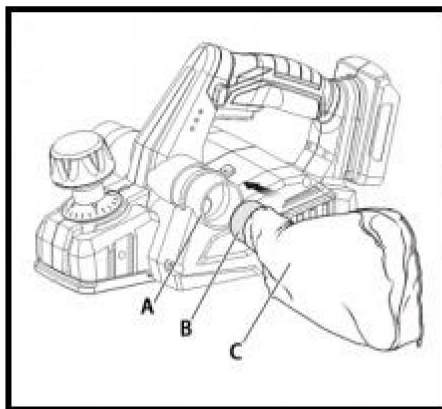
• Rimuovere il pacco batteria. • Per

regolare lo scarico verso destra: spostare la leva di direzione dello scarico in modo che la freccia punta a destra (la maniglia punterà a sinistra). Installare il sacchetto antipolvere sul porta di scarico destra. •

Per regolare lo scarico a sinistra: spostare la leva di direzione dello scarico in modo che la freccia punta a sinistra (la maniglia punterà a destra). Installare il sacchetto antipolvere sul porta di scarico sinistra.

NOTA: Verificare che il sacchetto antipolvere sia collegato alla stessa porta selezionata dall' la leva di direzione dello scarico.

**FISSAGGIO DEL SACCHETTO ANTIPOLVERE**



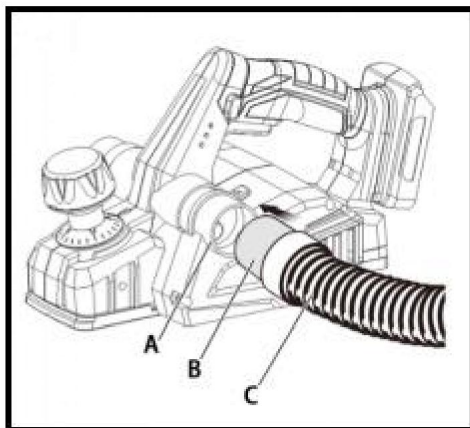
• Rimuovere la batteria. • Far scorrere il collare del sacchetto raccogli-polvere sulla porta di scarico.

NOTA: per rimuovere il sacchetto raccogli-polvere, estrarlo direttamente dalla porta di scarico.



Il sacchetto antipolvere si riempie rapidamente. Svuotalo spesso per evitare danni al prodotto.

## FISSAGGIO DELLA PIALLA A UN ASPIRAPOLVERE



Il sistema di raccolta trucioli della pialla ha una porta da 1-1/4 pollici per l'inserimento di un tubo flessibile del vuoto.

• Rimuovere il pacco batteria. Rimuovere il sacchetto raccogli-polvere. •

Collegare un tubo flessibile di aspirazione allo scarico dei trucioli sinistro o destro. •

Impostare la leva di direzione dello scarico sulla porta di scarico selezionata. • Collegare

l'aspirapolvere a un alimentatore. • Accendere l'aspirapolvere

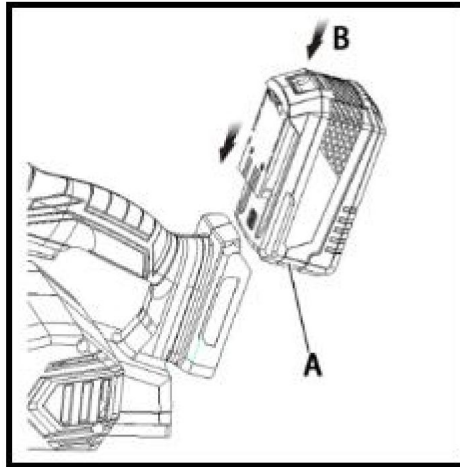
prima di iniziare il taglio.



### AVVERTIMENTO:

Quando l'utensile non è collegato all'aspirapolvere, reinstallare sempre il sacchetto raccogli-polvere sullo strumento. In caso contrario, polvere o oggetti estranei potrebbero depositarsi essere lanciato sul viso o negli occhi, il che potrebbe causare possibili gravi infortunio.

## INSTALLAZIONE/RIMOZIONE DEL PACCO BATTERIA



• Bloccare il grilletto dell'interruttore.

• Inserire il pacco batteria nel prodotto come mostrato. • Assicurarsi che i fermi su ciascun lato del pacco batteria scattino in posizione e la batteria è fissata nel prodotto prima di iniziare

funzionamento. • Premere i fermi per rimuovere il pacco batteria. •

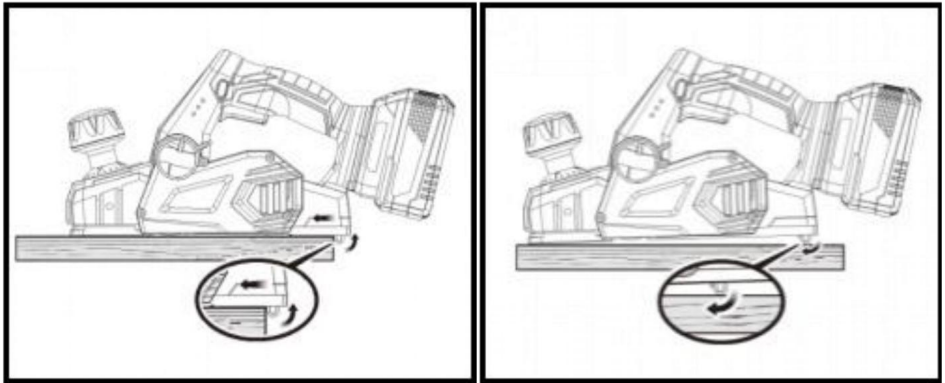
Per istruzioni complete sulla ricarica, consultare i manuali dell'operatore per la batteria e il caricabatterie.

## AVVIAMENTO/ARRESTO DELLA PIALLA

• Per avviare la pialla: premere il pulsante di blocco da entrambi i lati, quindi premere il grilletto dell'interruttore.

• Per arrestare la pialla: rilasciare il grilletto dell'interruttore.

## CAVALLETTO

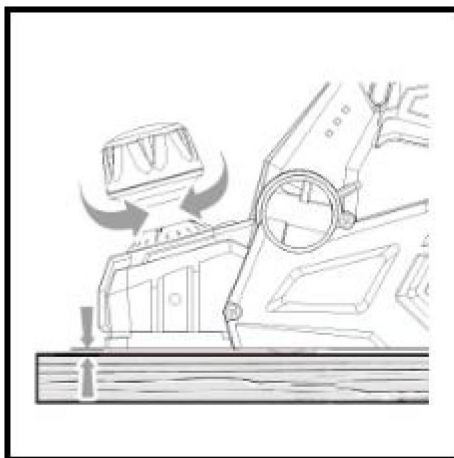


La pialla è stata dotata di un cavalletto girevole automatico che impedirà alle lame di entrare in contatto con il banco di lavoro quando non è in uso. Quando si inizia l'operazione di piallatura, il cavalletto si ritrae automaticamente mentre passa sopra il bordo del pezzo in lavorazione. Quando si appoggia la pialla sul banco di lavoro, il cavalletto si abbassa automaticamente per impedire alla lama di entrare in contatto.

 **AVVERTIMENTO:**

Assicurarsi che il cavalletto funzioni sempre liberamente e che l'area circostante il cavalletto sia libera da detriti. In caso contrario, si potrebbero verificare gravi lesioni personali.

## PROFONDITÀ DI PIANIFICAZIONE



Quando si inizia a pianificare un pezzo grezzo di materiale, la pialla servirà solo rimuovere i punti alti all'inizio. Passaggi successivi rimuoveranno di più e più materiale. Rimuovendo non più di 1/64 di pollice ad ogni passaggio, ottenere la finitura più liscia, anche dai pezzi più ruvidi.

Iniziare sempre eseguendo tagli di prova su legno di scarto per assicurarsi che il la pialla rimuove la quantità di legno desiderata.

### **Per impostare la profondità di pianificazione:**

ÿ Rimuovere il pacco batteria. ÿ Ruotare la manopola di regolazione della profondità in senso orario per impostare la profondità desiderata. taglio. La profondità massima di taglio è 1/16 in.

**NOTA:** utilizzare solo impostazioni di profondità a scatto. Tentare di effettuare tagli con la profondità di impostazioni di taglio tra le posizioni di arresto possono dare luogo a tagli non uniformi.

**NOTA:** per proteggere le lame durante lo stoccaggio, il trasporto, ecc., girare la manopola di regolazione della profondità in senso antiorario in alto sulla scala della profondità di taglio per parcheggiare la lama.



### **AVVERTIMENTO:**

Fissare sempre saldamente il pezzo in lavorazione prima di effettuare un taglio. Lavorare in movimento durante un taglio potrebbe causare la perdita di controllo della pialla e causare gravi

lesioni.

ÿ Fissare saldamente il lavoro. ÿ

Assicurarsi che il materiale da pianificare sia privo di chiodi, graffette o viti. ÿ Sostenere il lavoro in modo che l'operazione sia dalla propria parte.

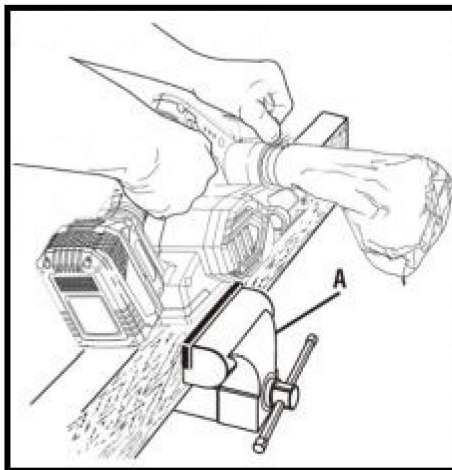
#### **AVVISO:**

Una piallatura troppo veloce provoca una finitura scadente e aumenta l'accumulo di trucioli nella scarico dei trucioli. L'accumulo di trucioli limita il flusso d'aria e può causare danni al motore surriscaldamento.

#### **AVVERTIMENTO:**

Non tentare di liberare uno scarico di trucioli bloccato finché le lame non si fermano e hai scollegato il prodotto dalla fonte di alimentazione. La mancata osservanza questa avvertenza può causare gravi lesioni personali.

#### **PIANIFICAZIONE**



ÿ Fissare saldamente il lavoro

ÿ Regolare la profondità di piallatura. Fare riferimento a Profondità di piallatura in precedenza in questo manuale. ÿ Tenere la manopola di regolazione della profondità con una mano e la maniglia con l'altra. dall'altra parte.



**AVVERTIMENTO:**

Utilizzare sempre entrambe le mani sullo strumento per qualsiasi operazione; questo assicura che mantenere il controllo ed evitare il rischio di gravi lesioni personali. Sempre correttamente sostenere e bloccare il lavoro in modo che entrambe le mani siano libere di controllare il piani.

Non utilizzare mai l'utensile in posizione capovolta o invertita rispetto alla corretta posizione di funzionamento. posizione; potrebbero verificarsi gravi lesioni personali.

ÿ Posizionare la scarpa anteriore sul bordo del lavoro da pianificare.

NOTA: assicurarsi che le lame non tocchino il pezzo da lavorare. ÿ Applicare pressione alla manopola di regolazione della profondità in modo che la scarpa anteriore sia completamente piatto sul lavoro. Avviare la pialla e lasciare che il motore raggiunga velocità massima. ÿ

Tenere saldamente la pialla e spingerla in avanti nel lavoro, utilizzando un movimento lento e costante. Pialla lentamente e svuota spesso il sacchetto raccogli-polvere. ÿ

Applicare una pressione verso il basso verso l'impugnatura posteriore mentre ogni fine del taglio pianificato. Ciò aiuta a mantenere la sezione posteriore della pialla base a contatto con il lavoro e impedisce che la parte anteriore della pialla scavando il taglio.



**AVVERTIMENTO:**

Fare attenzione a non urtare chiodi o graffette durante l'operazione di piallatura; questo l'azione potrebbe intaccare, rompere o danneggiare le lame.

NOTA: ti consigliamo di tenere sempre a portata di mano un set di lame di ricambio.

Non appena le lame della pialla mostrano segni di smussamento, sostituirle loro. Le lame sono reversibili e possono essere invertite fino a quando entrambi i lati diventare noioso.

## **SMUSSATURA**

La pialla è progettata con una scanalatura di smussatura nella scarpa anteriore per smussare gli angoli delle tavole come mostrato. Prima di effettuare un taglio su un buon legname,

esercitarsi a tagliare su legname di scarto per determinare la quantità da rimuovere. ÿ Fissare saldamente il lavoro. ÿ Tenere la manopola di regolazione della profondità con una mano e la maniglia con l'altra. dall'altra parte.

ÿ Posizionare la scanalatura di smussatura sulla superficie da tagliare.

ÿ Avviare la pialla e lasciare che il motore raggiunga la massima velocità. ÿ

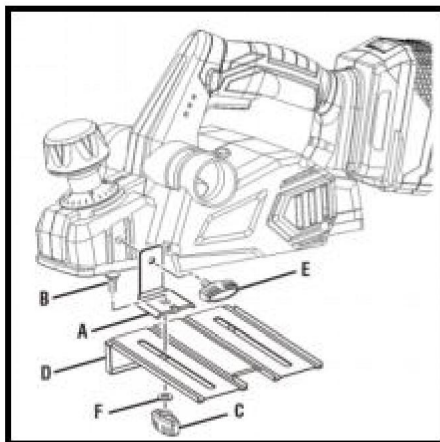
Tenere saldamente la pialla e spingerla in avanti nel lavoro, utilizzando un movimento lento e costante.

ÿ Applicare una pressione verso il basso per mantenere la pialla piatta all'inizio e alla fine fine del piano di lavoro.

## PIALLATURA DEI BORDI E REALIZZAZIONE DI TAGLI A BATTUTA

La pialla è dotata di una guida per bordi regolabile per una piallatura di precisione dei bordi e taglio a battuta. Fissare la guida del bordo su entrambi i lati della pialla per piallando i bordi e fissando la guida del bordo sul lato sinistro per realizzare tagli a battuta.

## FISSAGGIO DELLA GUIDA PER I BORDI PIALLATI



Rimuovere il pacco batteria. ÿ

Fissare la staffa al lato desiderato della pialla e stringere la manopola avvitare saldamente.

ÿ Fissare la guida del bordo alla staffa utilizzando il dado a manopola e il carrello  
bullone della testa.

ÿ Serrare saldamente il dado della manopola.

## **PIALLATURA DEI BORDI**

Seguire le istruzioni nella sezione Pianificazione all'inizio di questo manuale. Tenere premuto il  
la guida perimetrale sia saldamente appoggiata al bordo della superficie di lavoro.

## **FISSAGGIO DELLA GUIDA PER I BORDI PER REALIZZARE**

### **TAGLI A CONFETTO**

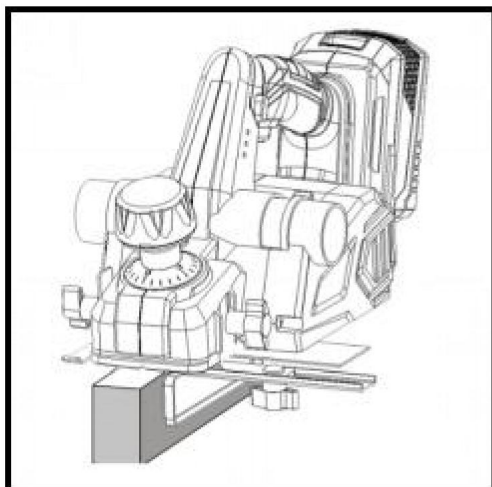
ÿ Rimuovere il pacco batteria. ÿ Fissare

la staffa al lato sinistro della piastra e serrare il bullone della manopola  
in modo sicuro.

ÿ Fissare la guida del bordo in modo lasco alla staffa utilizzando il dado a manopola e il  
bullone della testa del carrello (non serrare).

ÿ Regolare la guida del bordo alla larghezza desiderata per il taglio a battuta. ÿ Serrare  
saldamente il dado della manopola.

## **PER ESEGUIRE TAGLI A BATTUTA**



Seguire le istruzioni nella sezione Pianificazione all'inizio di questo manuale. Riposare il la guida del bordo saldamente contro il bordo della superficie di lavoro.

La profondità della scanalatura è determinata dalla profondità del taglio e dalla numero di passate effettuate lungo la superficie di lavoro.

La profondità massima del taglio a battuta è di 1/2 pollice e deve essere tagliato in passate di 1/16 pollice o meno per raggiungere la profondità desiderata. La larghezza del taglio a battuta è regolabile spostando la guida del bordo.



**AVVERTIMENTO:**

Durante la manutenzione, utilizzare solo parti di ricambio identiche. L'uso di qualsiasi altro parti potrebbero rappresentare un pericolo o danneggiare il prodotto.



**AVVERTIMENTO:**

Indossare sempre protezioni per gli occhi con protezioni laterali contrassegnate per essere conformi alla norma ANSI Z87.1. In caso contrario, gli oggetti potrebbero essere lanciati negli occhi. con conseguenti possibili lesioni gravi.

## **MANUTENZIONE GENERALE**

Evitare di usare solventi quando si puliscono parti in plastica. La maggior parte delle plastiche sono suscettibile di danni da vari tipi di solventi commerciali e può essere danneggiati dal loro utilizzo. Utilizzare panni puliti per rimuovere sporco, polvere, olio, grasso, ecc.



**AVVERTIMENTO:**

Non lasciare mai che liquidi per freni, benzina, prodotti a base di petrolio, oli penetranti, ecc., entrino in contatto con le parti in plastica. I prodotti chimici possono danneggiare, indebolire o distruggere la plastica, il che può causare gravi danni personali infortunio.

Gli utensili elettrici utilizzati su materiali in fibra di vetro, cartongesso, composti per stucco o intonaco sono soggetti a usura accelerata e possibile guasto prematuro

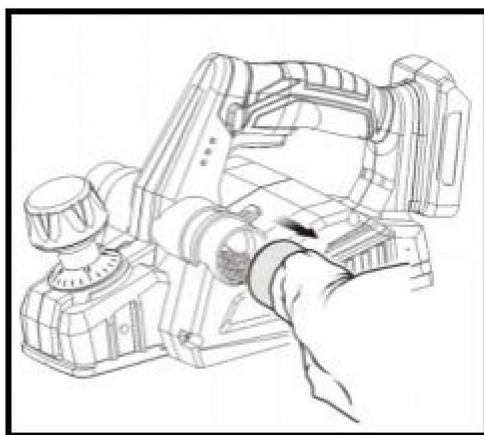
poiché i trucioli e le smerigliature in fibra di vetro sono altamente abrasivi per cuscinetti, spazzole, commutatori, ecc. Di conseguenza, non consigliamo di utilizzare questo strumento per lavori estesi su questi tipi di materiali. Tuttavia, se lo fai lavorare con uno qualsiasi di questi materiali, è estremamente importante pulire l'utensile utilizzando aria compressa.

## LUBRIFICAZIONE

Tutti i cuscinetti di questo utensile sono lubrificati con una quantità sufficiente di lubrificante ad alta lubrificante di qualità per l'intera durata dell'unità in normali condizioni operative.

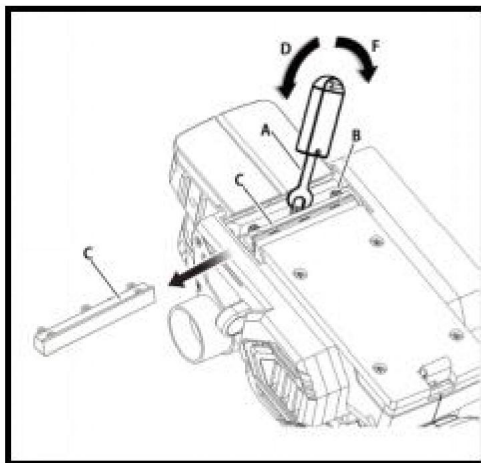
Pertanto non è necessaria alcuna ulteriore lubrificazione.

## PULIZIA DELLA PORTA DI SCARICO E SVUOTAMENTO DEL SACCHETTO RACCOGLIPOLVERE



Dopo aver utilizzato la pialla per un lungo periodo di tempo o durante la piallatura a umido o legname verde, i trucioli potrebbero accumularsi nella porta di scarico e richiedere pulizia. L'accumulo di trucioli limita il flusso d'aria e fa sì che il motore surriscaldamento. Pulire la porta di scarico e svuotare regolarmente il sacchetto raccogli-polvere. ÿ Rimuovere il pacco batteria. ÿ Rimuovere il sacchetto raccogli-polvere dalla porta di scarico. ÿ Pulire i trucioli o l'accumulo di polvere dalla porta di scarico della pialla con un piccolo pezzo di legno. Non usare le mani o le dita. ÿ Svuotare tutti i detriti dal sacchetto antipolvere e assicurarsi che il collare sia privo di detriti. ÿ Sostituire il sacchetto raccogli-polvere.

## SOSTITUZIONE DELLE LAME



Le lame della pialla sono reversibili. Quando un bordo diventa smussato, la lama può essere invertita in modo da poter utilizzare l'altro lato.

Sostituire o invertire sempre le lame in coppia. Non tentare di affilare lame. Se le lame della pialla mostrano segni di smussatura, scheggiatura o danneggiati in qualsiasi modo, sostituirli.

Quando si sostituiscono le lame, utilizzare solo la lama di ricambio consigliata,



### AVVERTIMENTO:

Indossare sempre guanti di pelle spessa e prestare attenzione quando si allenta la lama e movimentazione e/o sostituzione delle lame. Le lame sono affilate e possono causare gravi lesioni personali. ÿ

Rimuovere il pacco batteria. ÿ Fissare

la pialla in posizione capovolta. ÿ Allentare le tre viti che fissano la lama sul supporto della lama

ruotando in senso antiorario con la chiave a brugola in dotazione.

**NOTA:** non allentare eccessivamente le viti. Se le viti sono troppo allentate, l'allineamento della nuova lama non sarà precisa.

**NOTA:** prima di rimuovere le vecchie lame, prestare attenzione alla direzione del taglio e anche come è orientato il bordo rastremato delle vecchie lame. Il bordo rastremato il bordo delle nuove lame deve essere nello stesso orientamento dell'originale lame, con il bordo rastremato sullo stesso lato delle teste delle viti e il bordo piatto rivolto verso il blocco di taglio. ÿ

Premere la protezione della lama a molla. ÿ Spingere il supporto della lama fuori dal gruppo del blocco di taglio utilizzando la punta di un cacciavite.

ÿ Rimuovere la vecchia lama dal porta lama facendola scorrere fuori utilizzando la punta di un cacciavite.

**NOTA:** se la lama non può essere facilmente estratta dal supporto lama dopo averla allentata viti di fissaggio della lama, utilizzare un blocco di legno per rompere la lama allentandola il portalama con un colpo breve e deciso. Quindi spingere la lama con un cacciavite per rimuoverlo. Se necessario, picchiare bruscamente il blocco di legno con un piccolo martello per staccare la lama.

ÿ Pulire eventuali trucioli di legno o segatura attorno all'area della lama. ÿ Far scorrere la nuova lama nella fessura del supporto della lama.

ÿ Utilizzare un cacciavite per spingere la lama nel supporto della lama finché non è centrato in posizione.

ÿ Premere la protezione della lama a molla. ÿ Inserire il supporto della lama nel gruppo del blocco di taglio. ÿ Serrare nuovamente le tre viti di fissaggio della lama utilizzando la chiave per lame. ÿ Ripetere la procedura sopra descritta per sostituire l'altra lama.

## **SOSTITUZIONE DELLA CINGHIA**

Quando si sostituisce la cinghia, utilizzare solo la cinghia di ricambio consigliata. ÿ Rimuovere il pacco batteria. ÿ

Rimuovere le viti del coperchio della cinghia.

ÿ Rimuovere la copertura della cinghia.

ÿ Forzare la vecchia cinghia dalla puleggia piccola ruotandola nella direzione indicata.

Mentre si gira la cinghia, tirarla e farla uscire dalla puleggia piccola finché non è stata completamente rimosso da entrambe le pulegge.

ÿ Installare la nuova cinghia sulla puleggia piccola, assicurandosi di allineare le scanalature.

Mentre giri la cinghia, spingila e falla girare sulla puleggia grande finché non è in

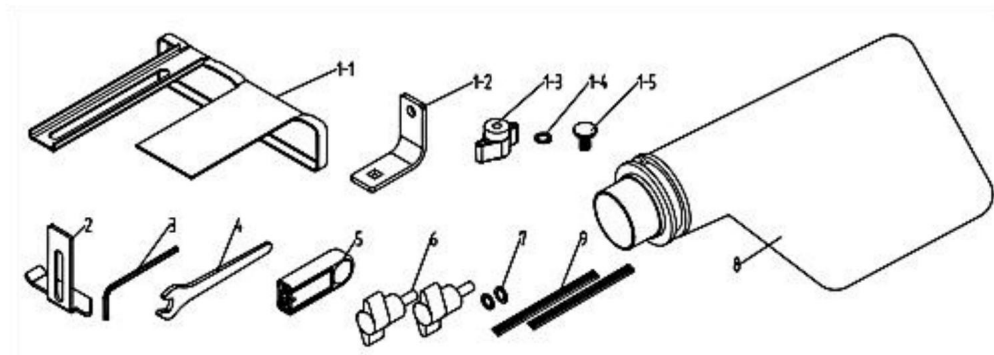
posizione. ÿ Sostituire il coperchio

della cinghia. ÿ Installare le viti del coperchio della cinghia e serrare saldamente.

NOTA: non serrare eccessivamente le viti.

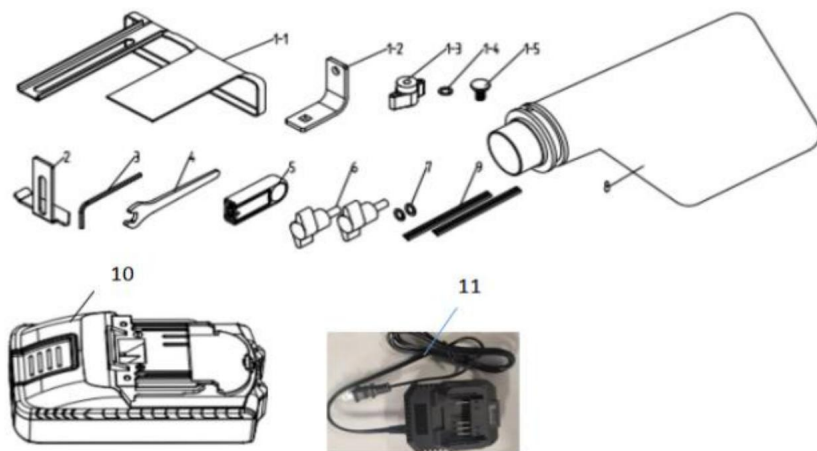
## ACCESSORI

### ACCESSORI--PIALLA BRUSHLESS CON SCATOLA COLORI



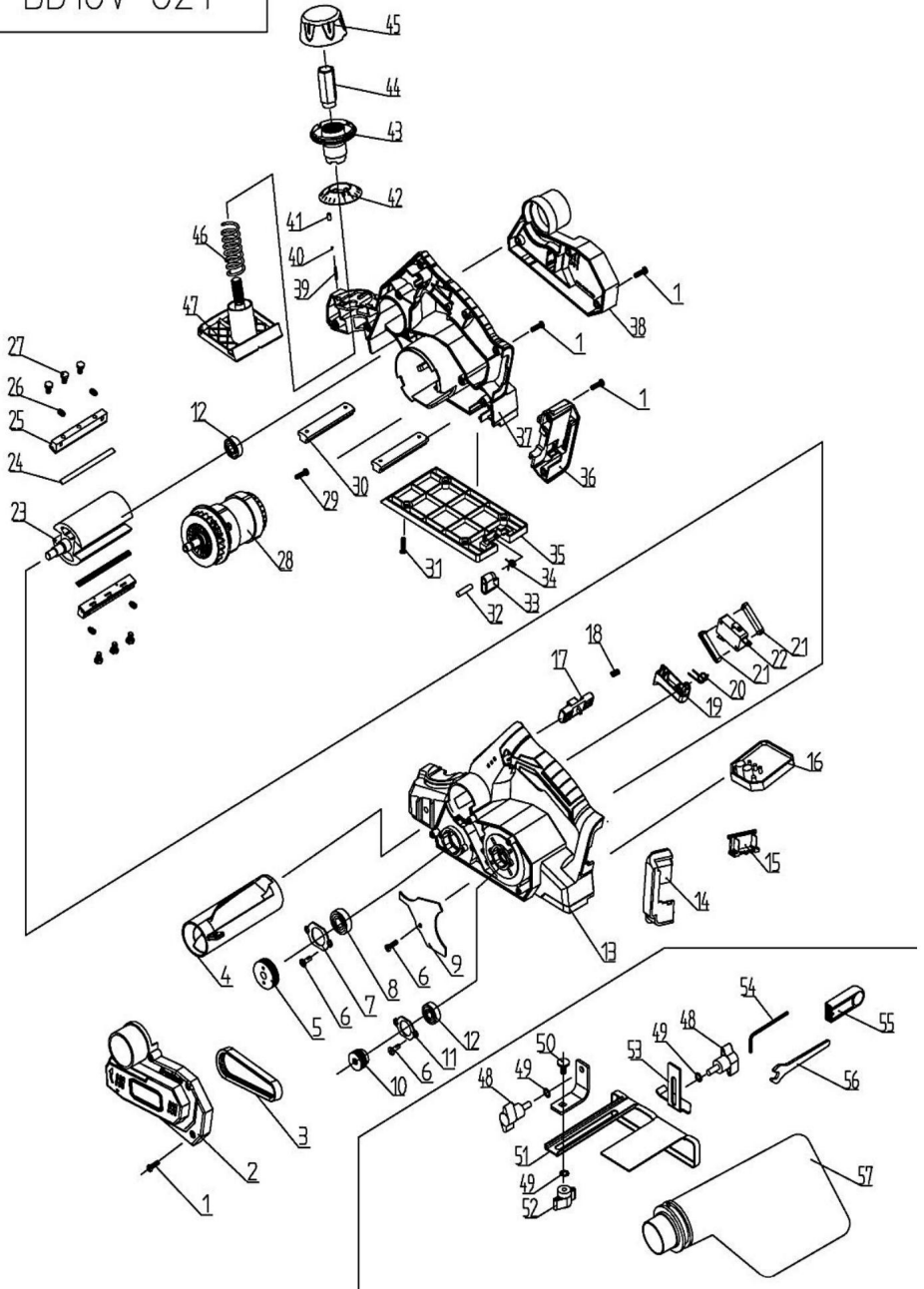
CODICE ARTICOLO	DESCRIZIONE	Quantità
1	Guida parallela	
1-1	Guida parallela	1 pz.
1-2	Staffa guida parallela	1 pz.
1-3	Dado a farfalla	1 pz.
1-4	Rondella piatta	1 pz.
1-5	Bulloni a testa quadrata	1 pz.
2	Guida di profondità	1 pz.
3	Chiave esagonale interna	1 pz.
4	Chiave inglese	1 pz.
5	Copertura della chiave inglese	1 pz.
6	Vite a farfalla	2 PZ
7	Rondella piatta	2 PZ
8	Sacchetto antipolvere	1 pz.
9	Lama	1 INSIEME

## ACCESSORI--PIALLA BRUSHLESS CON SCATOLA BMC



CODICE ARTICOLO	DESCRIZIONE	Quantità
1	Guida parallela	
1-1	Guida parallela	1 pz.
1-2	Staffa guida parallela	1 pz.
1-3	Dado a farfalla	1 pz.
1-4	Rondella piatta	1 pz.
1-5	Bulloni a testa quadrata	1 pz.
2	Guida di profondità	1 pz.
3	Chiave esagonale interna	1 pz.
4	Chiave inglese	1 pz.
5	Copertura della chiave inglese	1 pz.
6	Vite a farfalla	2 PZ
7	Rondella piatta	2 PZ
8	Sacchetto antipolvere	1 pz.
9	Lama	1 INSIEME
10	Cambia	1 pz.
11	batteria	1 pz.

DB18V-821



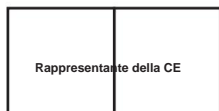
Modello DB18V-821B							
NO.	DESCRIZIONE	Quantità		NO.	DESCRIZIONE	Quantità	
1	VITE AUTOFILETTANTE ST4*14	20 PZ	30		SCHEDA DI SUPPORTO	2	PZ
2	COPERTURA DELLA CINTURA	1	PZ 31		VITE AUTOFILETTANTE ST4*12	4	PZ
3	CINTURA	1	PZ 32		PERNO CILINDRICO 5*32	1	PZ
4	TUBO POLVERE	1	PZ 33		RIPOSO DEL PARCO	1	PZ
5	PULEGGIA A V (GRANDE)	1	PZ 34		MOLLA DI TORSIONE	1	PZ
6	VITE AUTOFILETTANTE ST4X12	5 PZ	35		BASE	1	PZ
7	COPERCHIO DEL CUSCINETTO	1	Pezzi 36		COPERCHIO PERNO BATTERIA(2)	1	PZ
8	CUSCINETTO A SFERE 6000RS	1	PZ 37		ALLOGGIAMENTO GIUSTO	1	PZ
9	PARAPOLVERE	1	PZ 38		COPERTURA POSTERIORE	1	PZ
10	PULEGGIA A V (PICCOLA)	1	PZ 39		MOLLA DI TORSIONE	1	PZ
11	COPERCHIO DEL CUSCINETTO	1	Pezzi 40		SFERA D'ACCIAIO 2.5	1	PZ
12	CUSCINETTO A SFERE 608RS	2 PZ	41		PROIETTILE	1	PZ
13	ALLOGGIAMENTO SINISTRO	1	PZ 42		SCALA DI PROFONDITÀ	1	PZ
14	COPERCHIO PERNO BATTERIA(1)	1	PZ 43		MANOPOLA	1	PZ
15	PIN DELLA BATTERIA	1	Pezzi 44		DADO DI REGOLAZIONE	1	PZ
16	SCHEDA DI CONTROLLO PCB	1	Pezzi 45		COPERTURA MANOPOLA	1	PZ
17	PULSANTE DI BLOCCO	1	Pezzi 46		MOLLA DI REGOLAZIONE	1	PZ
18	PRIMAVERA	1	PZ 47		BASE ANTERIORE	1	PZ
19	PULSANTE DELL'INTERRUTTORE	1	Pezzi 48		VITE A FARFALLA	2	PZ
20	MOLLA DI TORSIONE	1	Pezzi 49		RONDELLA PIATTA 6	3	PZ
21	BASE DELL'INTERRUTTORE	2 PZ	50		BULLONE A COLLO QUADRATO M6X12	1	PZ
22	INTERRUTTORE	1	PZ 51		GUIDA BORDO	1	PZ
23	RULLO	1	PZ 52		NOCE FARFALLA	1	PZ
24	LAMA	2 PZ	53		GUIDE DI PROFONDITÀ	1	PZ
25	PORTALAMA	2 PZ	54		CHIAVE ESAGONALE INTERNA	1	PZ
26	VITE M5*10	4 PZ	55		CONSERVAZIONE DELLE CHIAVI	1	PZ
27	BULLONE ESAGONALE M5*8	6 PZ	56		CHIAVE	1	PZ
28	MOTORE BRUSHLESS	1	Pezzi 57		SACCHETTO ANTIPOLVERE	1	PZ
29	VITE AUTOFILETTANTE ST4*10	2 PZ					

**Produttore:** Shanghaimuxinmuyeyouxiangongsi

**Indirizzo:** Shuangchenglu 803nong11hao1602A-1609shi, baoshanqu, shanghai 200000 CN.

**Importato in AUS:** SIHAO PTY LTD, 1 ROKEVA STREETEASTWOOD NSW 2122 Australia

**Importato negli USA:** Sanven Technology Ltd., Suite 250, 9166 Anaheim Place, Rancho Cucamonga, CA 91730



E-CrossStu GmbH

Mainzer Landstr.69, 60329 Francoforte sul Meno.



CONSULENZA YH LIMITATA.

C/O YH Consulting Limited Ufficio 147, Centurion House,  
Via Roma, 101, 00186 Roma, Italia

**VEVOR**®  
TOUGH TOOLS, HALF PRICE

Supporto tecnico e certificato di garanzia  
elettronica [www.vevor.com/support](http://www.vevor.com/support)

# VEVOR<sup>®</sup>

## TOUGH TOOLS, HALF PRICE

Soporte técnico y certificado de garantía electrónica [www.vevor.com/support](http://www.vevor.com/support)

## PLANES

MODELO: DB18V-821

Seguimos comprometidos a brindarle herramientas a precios competitivos.

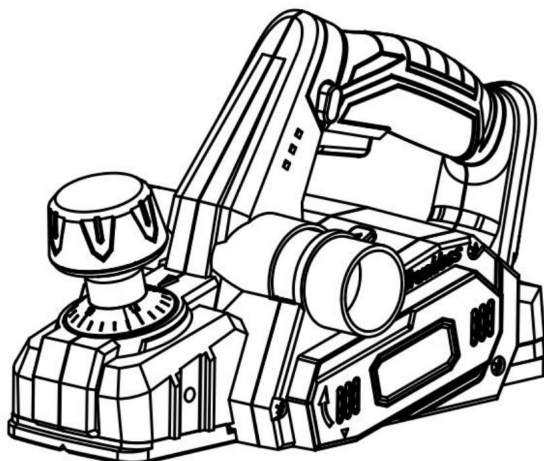
"Ahorre la mitad", "mitad de precio" o cualquier otra expresión similar que utilicemos solo representa una estimación del ahorro que podría obtener al comprar ciertas herramientas con nosotros en comparación con las principales marcas y no necesariamente significa que cubra todas las categorías de herramientas que ofrecemos. Le recordamos que, al realizar un pedido con nosotros, verifique cuidadosamente si realmente está ahorrando la mitad en comparación con las principales marcas.


# VEVOR<sup>®</sup>

TOUGH TOOLS, HALF PRICE

PLANES

MODELO: DB18V-821



 **ADVERTENCIA:** Para reducir el riesgo de lesiones, el usuario debe leer y comprender el manual del operador antes de utilizar este producto.

¿NECESITA AYUDA? ¡CONTÁCTENOS!

¿Tiene preguntas sobre el producto? ¿Necesita asistencia técnica? No dude en ponerse en contacto con nosotros:

Soporte técnico y certificado de garantía  
electrónica [www.vevor.com/support](http://www.vevor.com/support)

Estas son las instrucciones originales, lea atentamente todas las instrucciones del manual antes de utilizar el producto. VEVOR se reserva una interpretación clara de nuestro manual de usuario. La apariencia del producto estará sujeta al producto que recibió. Perdónenos por no informarle nuevamente si hay actualizaciones de tecnología o software en nuestro producto.

## TABLA DE CONTENIDO

Advertencias generales de seguridad para herramientas eléctricas.....	03
Advertencias de seguridad para cepilladoras.....	06
Símbolos.....	08
Características.....	10
Asamblea.....	10
Operación .....	11
Accesorios.. ..	26

## ADVERTENCIAS GENERALES DE SEGURIDAD PARA HERRAMIENTAS ELÉCTRICAS



### ADVERTENCIA

Lea todas las advertencias de seguridad y todas las instrucciones. El incumplimiento de las advertencias y el incumplimiento de estas instrucciones puede provocar descargas eléctricas, incendios y/o lesiones graves.

Guarde todas las advertencias e instrucciones para futuras consultas.

El término "herramienta eléctrica" en las advertencias se refiere a su herramienta eléctrica operada por la red eléctrica. herramienta eléctrica (con cable) o herramienta eléctrica que funciona con batería (inalámbrica).

### SEGURIDAD EN EL ÁREA DE TRABAJO

- Mantenga el área de trabajo limpia y bien iluminada. Las áreas desordenadas u oscuras invitan accidentes.
- No utilice herramientas eléctricas en atmósferas explosivas, como en  
Presencia de líquidos, gases o polvos inflamables. Las herramientas eléctricas generan chispas.  
que puedan encender el polvo o los humos.
- Mantenga a los niños y a otras personas alejadas mientras utiliza una herramienta eléctrica.  
Las distracciones pueden hacer que pierdas el control.

### SEGURIDAD ELÉCTRICA

- Los enchufes de las herramientas eléctricas deben coincidir con los de la toma de corriente. Nunca modifique el enchufe de ninguna manera.  
No utilice ningún enchufe adaptador con herramientas eléctricas conectadas a tierra.  
Los enchufes sin modificar y las tomas de corriente compatibles reducirán el riesgo de descarga eléctrica. ■ Evite el contacto del cuerpo con superficies conectadas a tierra, como tuberías, radiadores, estufas y refrigeradores. Existe un mayor riesgo de descarga eléctrica.  
descarga eléctrica si su cuerpo está conectado a tierra.
- No exponga las herramientas eléctricas a la lluvia ni a condiciones húmedas. El agua que entra en una  
El uso de herramientas eléctricas aumentará el riesgo de descarga eléctrica.
- No abuse del cable. Nunca utilice el cable para transportar, tirar o  
Desconectar la herramienta eléctrica. Mantener el cable alejado del calor, aceite y bordes afilados.  
o partes móviles. Los cables dañados o enredados aumentan el riesgo de  
descarga eléctrica.

- Cuando utilice una herramienta eléctrica al aire libre, utilice un cable de extensión adecuado. Para uso en exteriores. El uso de un cable apto para uso en exteriores reduce el riesgo de descarga eléctrica.
- Si es inevitable utilizar una herramienta eléctrica en un lugar húmedo, utilice una toma de tierra Suministro protegido con interruptor de circuito de falla a tierra (GFCI). El uso de un GFCI reduce el riesgo de descarga eléctrica.
- Utilice este producto únicamente con las baterías y cargadores que se indican en la lista de herramientas/aparatos/ Suplemento de correlación de paquete de batería/cargador 987000-432.

## SEGURIDAD PERSONAL

- Manténgase alerta, preste atención a lo que hace y use el sentido común cuando operar una herramienta eléctrica. No utilice una herramienta eléctrica si está cansado o bajo los efectos de drogas, alcohol o medicamentos. Un momento de La falta de atención al utilizar herramientas eléctricas puede provocar lesiones personales graves. lesión.
- Utilice equipo de protección personal. Utilice siempre protección para los ojos. El equipo de protección, como mascarilla antipolvo, calzado de seguridad antideslizante, casco o protección auditiva, utilizado en condiciones adecuadas, reducirá Lesiones personales.
- Evite el arranque involuntario. Asegúrese de que el interruptor esté en la posición de apagado. Antes de conectarlo a la fuente de alimentación y/o al paquete de baterías, levantarlo o Llevando la herramienta. Llevar herramientas eléctricas con el dedo en el interruptor o energizarlas Las herramientas que tienen el interruptor encendido invitan a los accidentes.
- Retire cualquier llave de ajuste o llave inglesa antes de encender la herramienta eléctrica. Una llave o una llave que se deja unida a una parte giratoria de la herramienta eléctrica puede provocar lesiones personales.
- No se estire demasiado. Mantenga el equilibrio y la posición adecuada en todo momento. permite un mejor control de la herramienta eléctrica en situaciones inesperadas. ■ Vístase apropiadamente. No use ropa suelta ni joyas. Mantenga su cabello, ropa y guantes alejados de las piezas móviles. Ropa suelta, joyas o El cabello largo puede quedar atrapado en las piezas móviles. ■ Si se proporcionan dispositivos para la conexión de la extracción de polvo y

Instalaciones de recogida, asegúrese de que estén conectadas y se utilicen correctamente.

La recolección de polvo puede reducir los riesgos relacionados con el polvo.

■ No use ropa suelta ni joyas. Contenga el cabello largo. Ropa suelta,

Las joyas o el cabello largo pueden quedar atrapados en las rejillas de

ventilación. ■ No utilice escaleras ni soportes inestables. Pise con firmeza sobre una superficie sólida.

Permite un mejor control de la herramienta eléctrica en situaciones inesperadas.

#### USO Y CUIDADO DE HERRAMIENTAS ELÉCTRICAS

■ No fuerce la herramienta eléctrica. Utilice la herramienta eléctrica correcta para su trabajo.

Aplicación. La herramienta eléctrica correcta hará el trabajo mejor y de manera más segura.

velocidad para la cual fue diseñada. ■ No

utilice la herramienta eléctrica si el interruptor no se enciende ni se apaga.

La herramienta eléctrica que no se puede controlar con el interruptor es peligrosa y

debe repararse. ■

Desconecte el enchufe de la fuente de alimentación y/o el paquete de baterías de la

Antes de realizar ajustes, cambiar accesorios o guardar la herramienta eléctrica, se deben tomar medidas de seguridad preventivas para reducir el riesgo.

de poner en marcha la herramienta eléctrica accidentalmente.

■ Guarde las herramientas eléctricas que no utilice fuera del alcance de los niños y no permita que

personas que no estén familiarizadas con la herramienta eléctrica o con estas instrucciones de uso

La herramienta eléctrica es peligrosa en manos de personas no capacitadas.

usuarios.

■ Realice el mantenimiento de las herramientas eléctricas. Compruebe si hay desalineaciones o atascos en las

piezas móviles, roturas de piezas y cualquier otra condición que pueda afectar a la potencia.

funcionamiento de la herramienta. Si está dañada, haga reparar la herramienta eléctrica antes

Uso. Muchos accidentes son causados por herramientas eléctricas mal mantenidas. ■ Mantenga

las herramientas de corte afiladas y limpias. Las herramientas de corte con un mantenimiento adecuado

con bordes cortantes afilados tienen menos probabilidades de atascarse y son más fáciles de controlar. ■

Utilice la herramienta eléctrica, los accesorios, las brocas, etc., de acuerdo con estas

instrucciones, teniendo en cuenta las condiciones de trabajo y el trabajo a realizar

Se debe realizar el uso de la herramienta eléctrica para operaciones distintas a las

lo previsto podría dar lugar a una situación peligrosa.

## USO Y CUIDADO DE LAS HERRAMIENTAS A BATERÍA

- Recargue únicamente con el cargador especificado por el fabricante. Un cargador que sea adecuado para un tipo de paquete de baterías puede crear un riesgo de incendio cuando utilizado con otro paquete de baterías. ■ Utilice

herramientas eléctricas únicamente con paquetes de baterías específicamente designados. Uso de

Cualquier otro paquete de baterías puede crear riesgo de lesiones e incendio.

- Cuando la batería no esté en uso, manténgala alejada de otros objetos metálicos, como clips, monedas, llaves, clavos, tornillos u otros objetos metálicos pequeños, que puede hacer una conexión de un terminal a otro. Cortocircuitando el  
Los terminales de la batería juntos pueden causar quemaduras o un incendio. ■

En condiciones abusivas, puede salir líquido de la batería; evite

contacto. Si ocurre contacto accidentalmente, enjuague con agua. Si el líquido entra en contacto con ojos, además busque ayuda médica. El líquido expulsado de la batería puede causar irritación o quemaduras.

## SERVICIO

- Haga que un técnico de reparación calificado repare su herramienta eléctrica utilizando únicamente Repuestos idénticos. Esto garantizará la seguridad de la energía.  
La herramienta se mantiene.
- Al realizar el mantenimiento de una herramienta eléctrica, utilice únicamente piezas de repuesto idénticas. Siga las instrucciones de la sección Mantenimiento de este manual. Uso de piezas no autorizadas o no seguir las instrucciones de mantenimiento pueden crear un riesgo de descarga eléctrica o lesiones.

### ADVERTENCIAS DE SEGURIDAD PARA CEPILLADORAS

- Espere a que el cortador se detenga antes de dejar la herramienta en el suelo.  
El cortador giratorio puede chocar con la superficie, lo que puede provocar una pérdida de control y lesiones graves. ■ Utilice abrazaderas u otra forma práctica de asegurar y sostener el  
pieza de trabajo sobre una plataforma estable. Sosteniendo la pieza de trabajo con la mano o contra el  
El cuerpo lo deja inestable y puede provocar la pérdida de control. ■ Sujete la herramienta eléctrica únicamente por las superficies de agarre aisladas.

- Conozca su herramienta eléctrica. Lea atentamente el manual del operador.  
aplicaciones y limitaciones, así como los peligros potenciales específicos  
relacionado con esta herramienta eléctrica. Si sigue esta regla, reducirá el riesgo de  
descarga eléctrica, incendio o lesiones graves.
- Utilice siempre protección para los ojos con protectores laterales marcados para cumplir con  
ANSI Z87.1. Seguir esta regla reducirá el riesgo de sufrir lesiones personales graves.  
lesión.
- Proteja sus pulmones. Use una mascarilla facial o antipolvo si la operación genera polvo.  
Si sigue esta regla, reducirá el riesgo de sufrir lesiones personales graves. ■ Proteja su  
audición. Use protección auditiva durante períodos prolongados de trabajo.  
Operación. Si sigue esta regla, reducirá el riesgo de sufrir lesiones personales graves.  
lesión.
- Las herramientas a batería no necesitan estar enchufadas a una toma eléctrica; por lo tanto,  
Siempre están en condiciones de funcionamiento. Tenga en cuenta los posibles peligros.  
cuando no utilice su herramienta de batería o cuando cambie accesorios.  
Si sigue esta regla, reducirá el riesgo de descarga eléctrica, incendio o lesiones graves.  
lesiones personales.
- No coloque herramientas a batería ni sus baterías cerca del fuego o del calor. Esto  
reduce el riesgo de explosión y posibles lesiones. ■ No aplaste,  
deje caer ni dañe la batería. No utilice una batería o  
Un cargador que se ha caído o ha recibido un golpe fuerte. Un cargador dañado  
La batería puede explotar. Deseche de forma adecuada una batería que se haya caído o  
La batería dañada debe desecharse  
inmediatamente. ■ Las baterías pueden explotar en presencia de una fuente de ignición, como un  
llama piloto. Para reducir el riesgo de lesiones personales graves, nunca utilice ningún  
producto inalámbrico en presencia de llamas abiertas. Una batería que explote puede  
expulsar residuos y productos químicos. Si se expone a ellos, lávelos con agua inmediatamente.
- No cargue la herramienta a batería en un lugar húmedo o mojado. No utilice, almacene ni  
Cargue las baterías o los productos en lugares donde la temperatura sea  
Menos de 50° Para más de 100°F. No almacenar en exteriores ni en vehículos.
- En condiciones extremas de uso o temperatura, la batería puede tener fugas.  
Si el líquido entra en contacto con la piel, lávese inmediatamente con agua.  
Agua y jabón. Si el líquido entra en contacto con los ojos, lávelos con agua limpia.  
durante al menos 10 minutos, luego busque atención médica inmediata.




Esta regla reducirá el riesgo de lesiones personales graves.

- Guarde estas instrucciones. Consúltelas con frecuencia y utilícelas para




Instruya a otras personas que puedan usar esta herramienta. Si le presta esta herramienta a alguien, También les dará estas instrucciones.








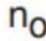
## SÍMBOLOS

Las siguientes palabras de señal y significados tienen como objetivo explicar los niveles de riesgo asociado con este producto.

SEÑAL	SÍMBOLO	SIGNIFICADO
	PELIGRO	Indica una situación peligrosa que, de no ser así, evitarse, provocará muerte o lesiones graves
	ADVERTENCIA	Indica una situación peligrosa que, de no ser así, evitarse, podría provocar la muerte o lesiones graves
	PRECAUCIÓN	Indica una situación peligrosa que, de no ser así, evitarse, podría provocar la muerte o lesiones graves
	AVISO:	(Sin símbolo de alerta de seguridad) Indica información considerado importante, pero no relacionado con un potencial lesión (por ejemplo, mensajes relacionados con daños a la propiedad).

Es posible que en este producto se utilicen algunos de los siguientes símbolos. Por favor, estúdielos, y aprender su significado. La correcta interpretación de estos símbolos le permitirá Utilizar el producto mejor y de forma más segura.

SÍMBOLO	SEÑAL	SIGNIFICADO
	Alerta de seguridad	Indica un posible peligro de lesiones personales.
	Leer el operador Manual	Para reducir el riesgo de lesiones, el usuario debe leer y Comprenda el manual del operador antes de usarlo Este producto.
	Protección para los ojos	Utilice siempre protección para los ojos con protectores laterales. marcado para cumplir con ANSI Z87.1

	Protección auditiva	Utilice siempre protectores auditivos al utilizar este dispositivo. producto.
	Desgaste del polvo máscaras	Utilice siempre mascarillas antipolvo al utilizar este producto. producto.
	Condiciones húmedas Alerta	No exponer a la lluvia ni utilizar en lugares húmedos.
	Sin manos Símbolo	No mantener las manos alejadas de la El uso de la cuchilla puede provocar lesiones personales graves.
	Símbolo de reciclaje	Este producto utiliza baterías de iones de litio (Li-ion). Las leyes locales, estatales o federales pueden prohibir Eliminación de baterías en la basura común. Consultar Su autoridad local de residuos para obtener información sobre reciclaje y/o eliminación disponibles Opciones.
	Eliminación correcta	Este producto está sujeto a la disposición de Directiva Europea 2012/19/CE. El símbolo mostrando un contenedor de basura atravesado indica que el producto requiere separado recogida de basuras en la Unión Europea. Esta Se aplica al producto y todos los accesorios. marcados con este símbolo. Productos marcados como Tales cosas no pueden descartarse con normalidad. residuos domésticos, sino que deben llevarse a un punto de recogida para el reciclaje de aparatos eléctricos y dispositivos electrónicos
	Declaración de la FCC	Este dispositivo cumple con la Parte 15 de la FCC Reglas. El funcionamiento está sujeto a las dos siguientes Condiciones: (1) Este dispositivo no puede causar interferencia dañina, y (2) este dispositivo debe aceptar cualquier interferencia recibida, incluyendo Interferencia que puede causar efectos no deseados. operación.
V	Voltios	Voltaje
Hz	Hertz	Frecuencia (ciclos por segundo)
min.	Minutos	Tiempo
	Velocidad sin carga Velocidad de rotación, sin carga	
.../min	Por minuto	Revoluciones, golpes, velocidad superficial, órbitas etc., por minuto.

## CARACTERÍSTICAS

## ESPECIFICACIONES DEL PRODUCTO

Modelo	DB18V-821
Voltaje nominal	18 V
Velocidad sin carga	16000/min
Ancho máximo de cepillado	82 milímetros
Profundidad máxima de cepillado	2 millones
Profundidad máxima de rebaje	8 milímetros
Tipo de motor	Sin escobillas
Peso neto	2,5 KG

## ASAMBLEA



## ADVERTENCIA:

No utilice este producto si no está completamente ensamblado o si alguna de sus piezas parecen faltantes o dañados. Uso de un producto que no está correctamente instalado completamente ensamblado o con piezas dañadas o faltantes podría resultar en Lesión personal grave.



## ADVERTENCIA:

No intente modificar este producto ni crear accesorios o complementos. No se recomienda su uso con este producto. Cualquier alteración o La modificación se utiliza incorrectamente y podría dar lugar a una condición peligrosa que conduzca a posibles lesiones personales graves.

## OPERACIÓN

 ADVERTENCIA:

No permita que la familiaridad con las herramientas lo vuelva descuidado. Recuerde que una  
Una fracción de segundo de descuido es suficiente para causar lesiones graves.

 ADVERTENCIA:

Retire siempre la batería de la herramienta cuando esté ensamblando piezas, haciendo ajustes, limpiando o  
cuando no esté en uso. Cómo retirar la batería  
evitará arranques accidentales que podrían causar lesiones personales graves.

 ADVERTENCIA:

Utilice siempre protección para los ojos con protectores laterales marcados para cumplir con la norma ANSI  
Z87.1. Si no lo hace, podrían salirle objetos arrojados a los ojos.  
lo que podría provocar lesiones graves.

 ADVERTENCIA:

No utilice ningún accesorio ni aditamento no recomendado por el fabricante.  
fabricante de este producto. El uso de accesorios o complementos no autorizados  
No se recomienda hacerlo porque puede provocar lesiones personales graves.

 Atención:

Al planificar demasiado rápido o demasiado profundamente, se provocará una sobrecarga del equipo.  
protección y acortar la vida útil de la batería. Controle la velocidad de planificación y  
profundidad razonable.

## APLICACIONES

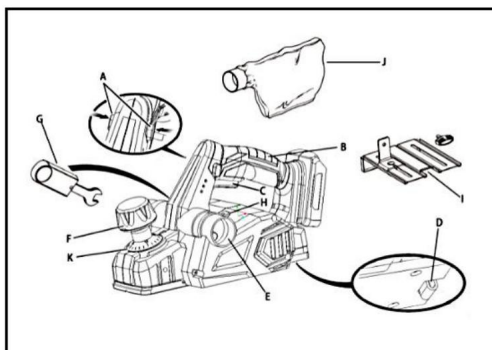
Puede utilizar esta herramienta para los fines que se enumeran a

continuación: ■ Cepillar el borde de una puerta o estante de

madera ■ Cepillar el borde de una pieza de madera ■

Hacer cortes rebajados en madera ■

Biselar bordes afilados de madera

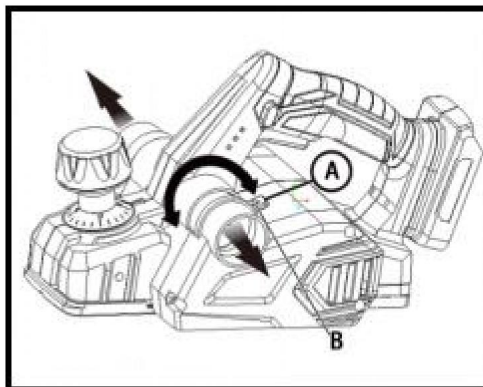


## AJUSTE DE LA DIRECCIÓN DE ESCAPE



ADVERTENCIA:

El polvo acumulado al cepillar superficies con revestimientos como poliuretanos, aceite de linaza, etc., puede encenderse espontáneamente en la bolsa para polvo de la cepilladora o en cualquier otro lugar y provocar un incendio. Para reducir el riesgo de incendio, vacíe siempre la bolsa para polvo con frecuencia mientras cepilla. NUNCA guarde ni deje una cepilladora sin vaciar antes la bolsa para polvo. Siga también las recomendaciones de los fabricantes de revestimientos.



Cambie la dirección del escape hacia la derecha o hacia la izquierda para controlar el

Dirección de los escombros al trabajar en áreas confinadas.

Para ajustar la dirección del escape y la bolsa de polvo:

Retire la batería. Para ajustar el escape

hacia la derecha: Mueva la palanca de dirección del escape de manera que

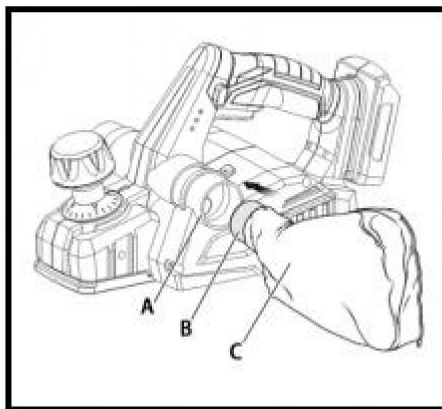
La flecha apunta hacia la derecha (el mango apuntará hacia la izquierda). Instale la bolsa para polvo en el puerto de escape derecho.

Para ajustar el escape hacia la izquierda: Mueva la palanca de dirección de escape de manera que

La flecha apunta hacia la izquierda (el mango apuntará hacia la derecha). Instale la bolsa para polvo en el puerto de escape izquierdo.

NOTA: Verifique que la bolsa para polvo esté conectada al mismo puerto seleccionado la palanca de dirección de escape.

#### COLOCACIÓN DE LA BOLSA PARA EL POLVO



Retire la batería. Deslice el collar de la

bolsa para polvo sobre el puerto de escape.

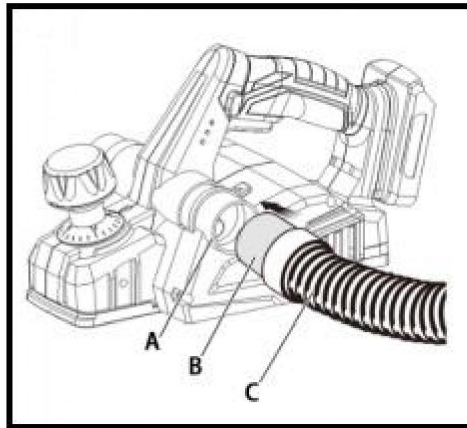
NOTA: Para quitar la bolsa para polvo, sáquela directamente del puerto de escape.



AVISO:

La bolsa para polvo se llena rápidamente. Vacíela con frecuencia para evitar dañar el producto.

## CONEXIÓN DE LA CEPILLADORA A UNA ASPIRADORA



El sistema de recolección de virutas de la cepilladora tiene un puerto de 1-1/4 pulg. para insertar una Manguera de vacío.

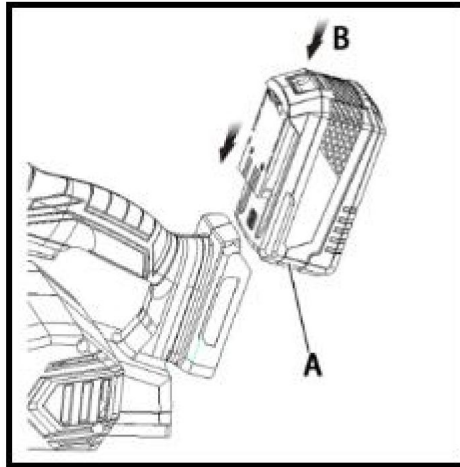
■ Retire la batería. Retire la bolsa para polvo. ■ Conecte una manguera de aspiración al escape de virutas izquierdo o derecho. ■ Coloque la palanca de dirección de escape en el puerto de escape seleccionado. ■ Conecte la aspiradora a una fuente de alimentación. ■ Encienda la aspiradora antes de comenzar a cortar.



### ADVERTENCIA:

Cuando la herramienta no esté conectada a la aspiradora, vuelva a instalar siempre la bolsa para polvo. Vuelva a colocarlo en la herramienta. Si no lo hace, podría acumularse polvo u objetos extraños. ser arrojado a su cara o a sus ojos, lo que podría resultar en posibles lesiones graves. lesión.

## INSTALACIÓN/DESMONTAJE DEL PAQUETE DE BATERÍAS



Bloquee el gatillo del interruptor.

Inserte la batería en el producto como se muestra. Asegúrese de que los pestillos a cada lado de la batería encajen en su lugar y la batería esté asegurada en el producto antes de comenzar operación.

Presione los pestillos para retirar el paquete de baterías. Para obtener instrucciones de carga completas, consulte los manuales del operador. su paquete de batería y cargador.

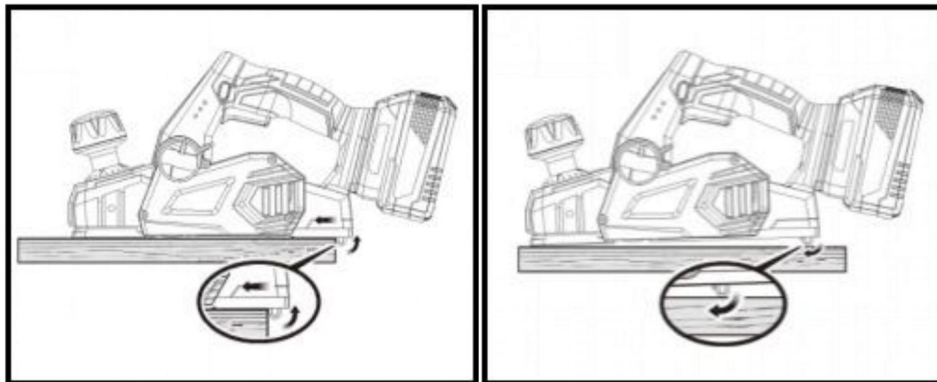
## PUESTA EN MARCHA/PARADA DE LA CEPILLADORA

Para poner en marcha la cepilladora: Presione el botón de bloqueo desde cualquier lado y luego

Presione el gatillo interruptor.

Para detener la cepilladora: suelte el gatillo interruptor.

## SOPORTE

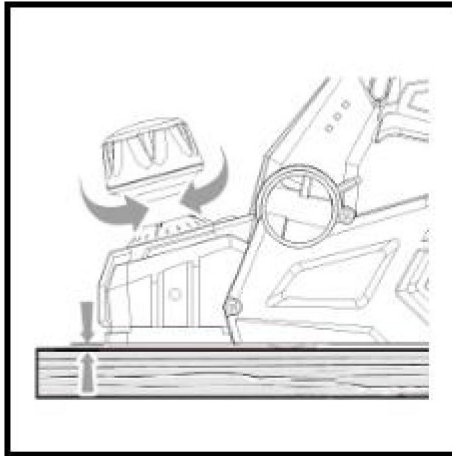


La cepilladora está equipada con un soporte giratorio automático que evitará que las hojas entren en contacto con el banco de trabajo cuando no esté en uso. Al comenzar la operación de cepillado, el soporte se retraerá automáticamente al pasar sobre el borde de la pieza de trabajo. Al colocar la cepilladora sobre el banco de trabajo, el soporte girará automáticamente hacia abajo para evitar que la hoja entre en contacto con ella.

 ADVERTENCIA:

Asegúrese de que el soporte funcione libremente en todo momento y que el área que lo rodea esté libre de residuos. No hacerlo podría provocar lesiones personales graves.

PROFUNDIDAD DE PLANIFICACIÓN



Cuando comience a planificar una pieza de material en bruto, la cepilladora solo...

Primero elimine los puntos altos. Las pasadas sucesivas eliminarán más y más.

más material. Si no quita más de 1/64 de pulgada con cada pasada,

Consiga el acabado más suave, incluso en las piezas más rugosas.

Comience siempre haciendo cortes de prueba en madera de descarte para asegurarse de que

La cepilladora está eliminando la cantidad deseada de madera.

Para establecer la profundidad de planificación:

Retire la batería. Gire la perilla de ajuste

de profundidad en el sentido de las agujas del reloj para establecer la profundidad deseada.

corte. La profundidad máxima de corte es de 1/16 pulg.

NOTA: Utilice únicamente ajustes de profundidad con tope. Intentar realizar cortes con la profundidad de

Los ajustes de corte entre las posiciones de retención pueden generar cortes desiguales.

NOTA: Para proteger las cuchillas durante el almacenamiento, transporte, etc., gire la

Perilla de ajuste de profundidad en sentido antihorario en la parte superior de la escala de profundidad de corte.

aparcar la cuchilla.



ADVERTENCIA:

Sujete siempre firmemente la pieza de trabajo antes de realizar un corte.

Durante un corte podría resultar en la pérdida de control de la cepilladora y causar graves

lesiones.

- Sujete firmemente la pieza de trabajo.
- Asegúrese de que el material a cepillar esté libre de clavos, grapas o tornillos. ■ Apoye la pieza de trabajo de modo que la operación se realice de su lado.

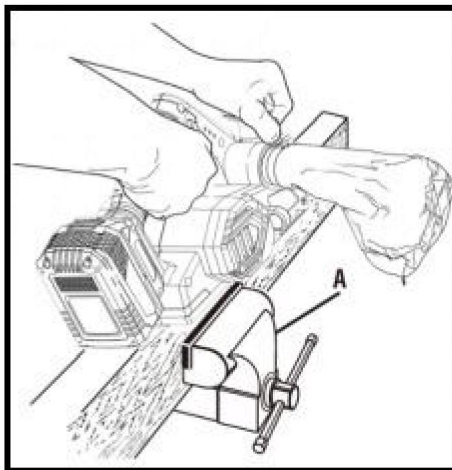
AVISO:

Cepillar demasiado rápido da como resultado un acabado deficiente y aumenta la acumulación de virutas en el escape de virutas. La acumulación de virutas restringe el flujo de aire y puede provocar que el motor calentamiento excesivo.

ADVERTENCIA:

No intente limpiar un escape de virutas bloqueado hasta que las cuchillas se detengan y Ha desconectado el producto de la fuente de alimentación. Si no se tiene en cuenta Esta advertencia puede provocar lesiones personales graves.

CEPILLADO



- Sujete la pieza de trabajo de forma segura
  - Ajuste la profundidad de cepillado. Consulte Profundidad de cepillado anteriormente en este manual. ■ Sujete la perilla de ajuste de profundidad con una mano y el mango con la otra.
- Por otra parte.



**ADVERTENCIA:**

Utilice siempre las dos manos en la herramienta para cualquier operación; esto garantiza que Mantenga el control y evite el riesgo de lesiones personales graves. Siempre maneje correctamente Sostenga y sujete la pieza de trabajo de modo que ambas manos estén libres para controlarla. planes.

Nunca opere la herramienta por encima de la cabeza o invertida respecto de la posición de operación adecuada. posición; podrían producirse lesiones personales graves.

Coloque la zapata delantera en el borde del trabajo a planificar.

NOTA: Asegúrese de que las hojas no toquen la pieza de trabajo. Aplique presión en la perilla de ajuste de profundidad para que la zapata delantera quede completamente plana sobre la pieza de trabajo. Encienda la cepilladora y deje que el motor alcance velocidad máxima.

Sujete la cepilladora con firmeza y empújela hacia adelante en la pieza de trabajo, con un movimiento lento y constante. Cepille lentamente y vacíe la bolsa de polvo con frecuencia. Aplique presión hacia abajo en dirección a la manija trasera a medida que avanza.

final del corte planificado. Esto ayuda a mantener la sección trasera de la cepilladora base en contacto con la pieza de trabajo y evita que la parte delantera de la cepilladora haciendo el corte.



**ADVERTENCIA:**

Tenga cuidado de no golpear clavos o grapas durante la operación de planificación; esto Esta acción podría mellar, agrietar o dañar las cuchillas.

NOTA: Le sugerimos que siempre tenga a mano un juego adicional de cuchillas.

Tan pronto como las cuchillas de la cepilladora muestren signos de estar desafiladas, reemplácelas. ellos. Las cuchillas son reversibles y se pueden invertir hasta que ambos lados volverse aburrido.

## CHAFLÁN

La cepilladora está diseñada con una ranura biselada en la zapata delantera para

Bisele las esquinas de las tablas como se muestra. Antes de hacer un corte en madera de buena calidad,

Practique el corte en madera de descarte para determinar la cantidad que se debe quitar. ■ Sujete firmemente la pieza de trabajo. ■ Sujete

la perilla de ajuste de profundidad con una mano y el mango con la otra.

Por otra parte.

■ Coloque la ranura de biselado sobre la superficie a cortar. ■ Encienda la cepilladora y deje que el motor alcance la velocidad máxima. ■ Sujete la cepilladora firmemente y empújela hacia adelante en la pieza de trabajo, utilizando un movimiento lento y constante.

■ Aplique presión hacia abajo para mantener la cepilladora plana al principio y final de la superficie de trabajo.

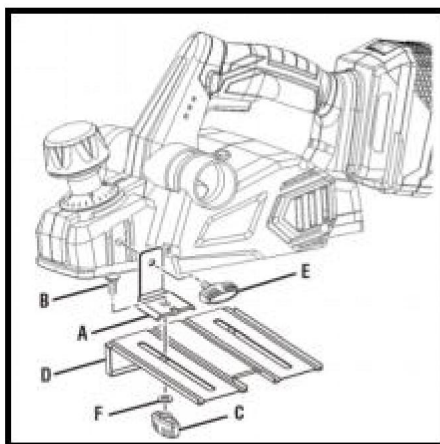
### CEPILLADO DE BORDES Y REALIZACIÓN DE CORTES DE REBAJADO

La cepilladora viene con una guía de borde ajustable para cepillar los bordes con precisión.

y corte de rebajes. Coloque la guía de borde a cada lado de la cepilladora para

Cepillar los bordes y colocar la guía de bordes en el lado izquierdo para hacer cortes de ranura.

### COLOCACIÓN DE LA GUÍA DE BORDES PARA CEPILLAR BORDES



Retire la batería. ■ Coloque el

soporte en el lado deseado de la cepilladora y apriete la perilla

atornillar de forma segura.

- Fije la guía de borde al soporte usando la tuerca de perilla y el carro

Perno de cabeza.

- Apriete firmemente la tuerca de la perilla.

## BORDES DE CEPILACIÓN

Siga las instrucciones de la sección Planificación que aparece anteriormente en este manual.

Coloque la guía de borde firmemente contra el borde de la superficie de trabajo.

## COLOCACIÓN DE LA GUÍA DE BORDE PARA FABRICAR

### CORTES DE RABATILLA

- Retire el paquete de baterías. ■

Coloque el soporte en el lado izquierdo de la cepilladora y apriete el perno de la perilla.

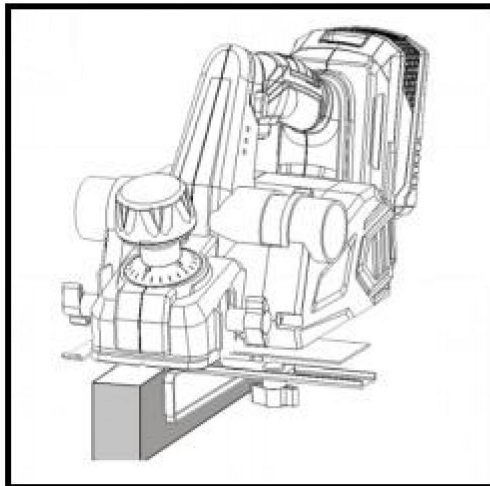
de forma segura.

- Fije la guía de borde de manera flexible al soporte usando la tuerca de perilla y la

Perno de cabeza de carruaje (no apriete).

- Ajuste la guía de borde al ancho deseado para el corte de rebaje. ■ Apriete firmemente la tuerca de la perilla.

## PARA HACER CORTES DE MACHO



Siga las instrucciones de la sección Planificación que aparece anteriormente en este manual.

Coloque la guía de borde firmemente contra el borde de la superficie de trabajo.

La profundidad del rebaje está determinada por la profundidad del corte y la

Número de pasadas realizadas a lo largo de la superficie de trabajo.

La profundidad máxima del corte de rebaje es de 1/2 pulgada y debe cortarse en pasadas de 1/16 pulgada o menos para alcanzar la profundidad deseada. El ancho del corte de rebaje es

Ajustable moviendo la guía del borde.



ADVERTENCIA:

Al realizar el mantenimiento, utilice únicamente piezas de repuesto idénticas. El uso de cualquier otra pieza

Las piezas pueden crear un peligro o causar daños al producto.



ADVERTENCIA:

Utilice siempre protección para los ojos con protectores laterales marcados para cumplir con la norma ANSI Z87.1. Si no lo hace, podrían salirle objetos arrojados a los ojos.

lo que podría provocar lesiones graves.

#### MANTENIMIENTO GENERAL

Evite utilizar disolventes al limpiar piezas de plástico. La mayoría de los plásticos son

susceptible a daños por varios tipos de solventes comerciales y puede

dañarse por su uso. Utilice paños limpios para eliminar la suciedad, el polvo, el aceite, la grasa, etc.



ADVERTENCIA:

No permita en ningún momento que líquidos de frenos, gasolina, productos derivados del petróleo,

aceites penetrantes, etc., entren en contacto con las piezas de plástico. Los productos químicos pueden

dañar, debilitar o destruir el plástico, lo que puede provocar lesiones personales graves.

lesión.

Las herramientas eléctricas que se utilizan en materiales de fibra de vidrio, placas de yeso, compuestos de masilla o yeso están sujetas a un desgaste acelerado y a posibles fallas prematuras.

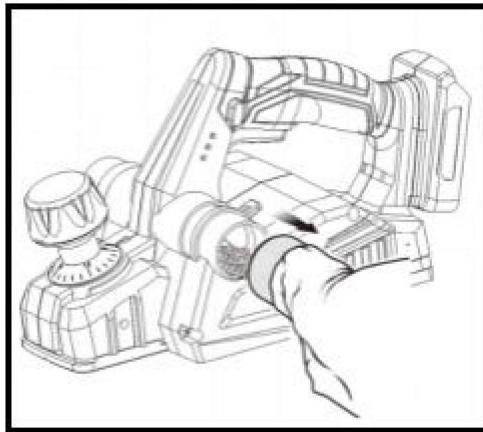
Debido a que las virutas y los residuos de fibra de vidrio son altamente abrasivos para los cojinetes, escobillas, conmutadores, etc., no recomendamos su uso.

Esta herramienta es ideal para trabajos prolongados en este tipo de materiales. Sin embargo, si no lo hace, Al trabajar con cualquiera de estos materiales, es muy importante limpiar la herramienta. utilizando aire comprimido.

## LUBRICACIÓN

Todos los cojinetes de esta herramienta están lubricados con una cantidad suficiente de aceite de alta calidad. Lubricante de grado automotriz para la vida útil de la unidad en condiciones normales de funcionamiento. Por lo tanto, no se requiere lubricación adicional.

## LIMPIEZA DEL PUERTO DE ESCAPE Y VACIADO DE LA BOLSA RECOGEDORA DEL POLVO



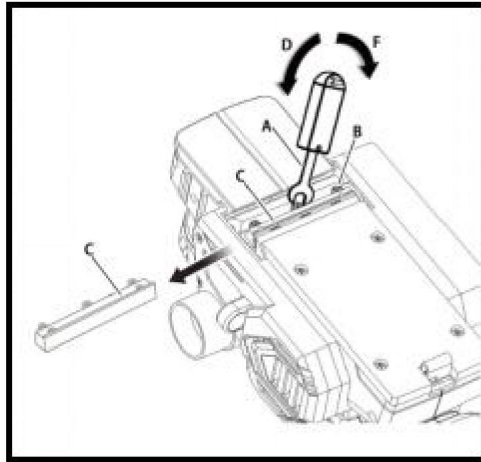
Después de utilizar la cepilladora durante un período prolongado de tiempo o al cepillar en húmedo o madera verde, las astillas pueden acumularse en el puerto de escape y requerir Limpieza. La acumulación de virutas restringe el flujo de aire y hace que el motor...

sobrecalentarse. Limpie el puerto de escape y vacíe la bolsa para polvo con regularidad. Retire la batería. Retire la bolsa para polvo del puerto de escape. Limpie la acumulación de virutas o polvo del puerto de escape de la cepilladora con

un pequeño trozo de madera. No utilice las manos ni los dedos. Vacíe todos los residuos de la bolsa para polvo y asegúrese de que el collar esté libre de escombros

Reemplace la bolsa para polvo.

## REEMPLAZO DE CUCHILLAS



Las cuchillas de la cepilladora son reversibles. Cuando un borde se desafilado, la cuchilla se puede invertir para poder utilizar el otro lado.

Reemplace o invierta siempre las cuchillas de a pares. No intente afilarlas.

cuchillas. Si las cuchillas de la cepilladora muestran signos de estar desafiladas, astilladas o dañado de alguna manera, reemplácelos.

Al reemplazar las cuchillas, utilice únicamente las cuchillas de repuesto recomendadas.



### ADVERTENCIA:

Utilice siempre guantes de cuero gruesos y tenga cuidado al aflojar la cuchilla.

tornillos y manipulación y/o cambio de cuchillas. Las cuchillas son afiladas y pueden causar lesiones personales graves.

Retire la batería. Fije la cepilladora

en posición invertida. Afloje los tres tornillos que fijan la cuchilla

en el soporte de la cuchilla

girando en sentido antihorario con la llave de cuchilla proporcionada.

NOTA: No afloje demasiado los tornillos. Si los tornillos están demasiado flojos, la alineación de la nueva cuchilla no será precisa.

NOTA: Antes de retirar las cuchillas viejas, tenga en cuenta la dirección del corte.

así como también cómo está orientado el borde cónico de las hojas antiguas. El borde cónico

El borde de las nuevas cuchillas debe estar en la misma orientación que las originales.

hojas, con el borde cónico en el mismo lado que las cabezas de los tornillos y

el borde plano que mira hacia el bloque de corte. ■

Presione el protector de la cuchilla con resorte. ■ Empuje el

soporte de la cuchilla hacia afuera del conjunto del bloque de corte usando la punta de un  
destornillador.

■ Retire la cuchilla vieja del soporte deslizándola hacia afuera.

utilizando la punta de un destornillador.

NOTA: Si la cuchilla no se puede sacar fácilmente del soporte de la cuchilla después de aflojarla

Tornillos de fijación de la hoja, use un bloque de madera para aflojar la hoja.

el soporte de la cuchilla con un golpe corto y fuerte. Luego empuje la cuchilla con un

destornillador para quitarlo. Si es necesario, golpee el bloque de madera con fuerza con un

Pequeño martillo para aflojar la hoja.

■ Limpie el aserrín o las virutas de madera que haya alrededor del área de la cuchilla. ■

Deslice la cuchilla nueva en la ranura del soporte de la cuchilla.

■ Utilice un destornillador para empujar la cuchilla en el soporte de la cuchilla hasta que quede  
centrado en su posición.

■ Presione el protector de la cuchilla accionado por resorte.

■ Inserte el soporte de la cuchilla en el conjunto del bloque de corte. ■ Vuelva a

apretar los tres tornillos de fijación de la cuchilla usando la llave para cuchillas. ■ Repita el

procedimiento anterior para cambiar la otra cuchilla.

## SUSTITUCIÓN DE LA CORREA

Al reemplazar la correa, utilice únicamente la correa de repuesto recomendada. ■ Retire la batería. ■

Retire los tornillos de la cubierta de la

correa.

■ Retire la cubierta de la correa.

■ Saque la correa vieja de la polea pequeña girándola en la dirección que se muestra.

A medida que gira la correa, tire de ella y sáquela de la polea pequeña hasta que quede  
completamente eliminado de ambas poleas.

■ Instale la correa nueva sobre la polea pequeña, asegurándose de alinear las ranuras.

A medida que gira la correa, empújela y colóquela sobre la polea grande hasta que quede en su lugar.

lugar. ■

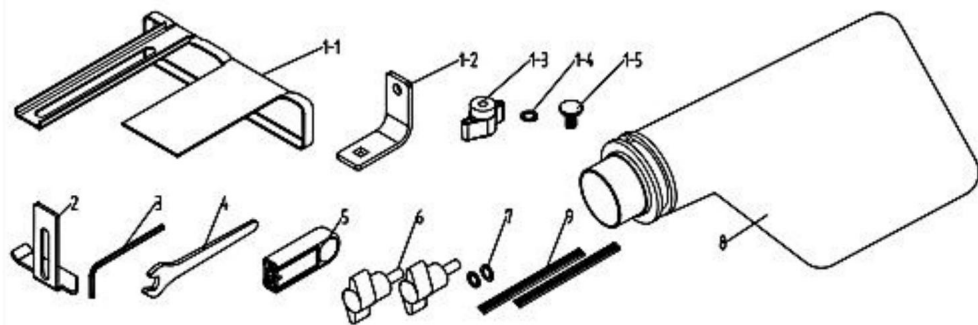
Vuelva a colocar la cubierta de la

correa. ■ Instale los tornillos de la cubierta de la correa y ajústelos firmemente.

NOTA: No apriete demasiado los tornillos.

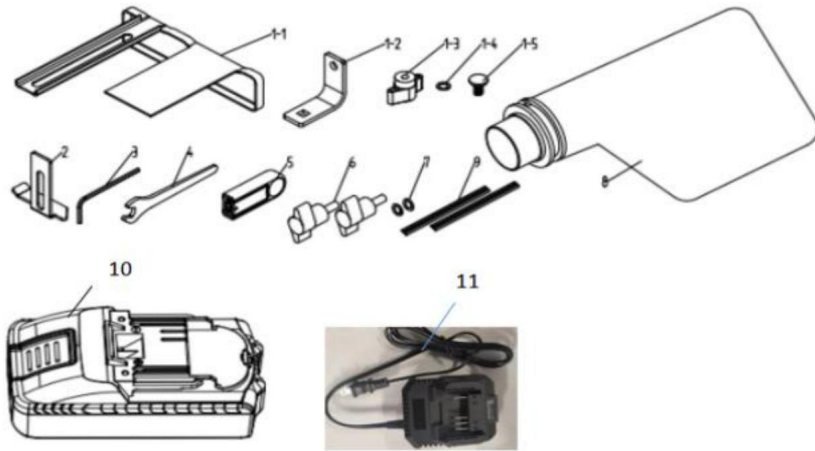
## ACCESORIOS

### ACCESORIOS--CEPILLADORA SIN ESCOBILLAS CON CAJA DE COLORES



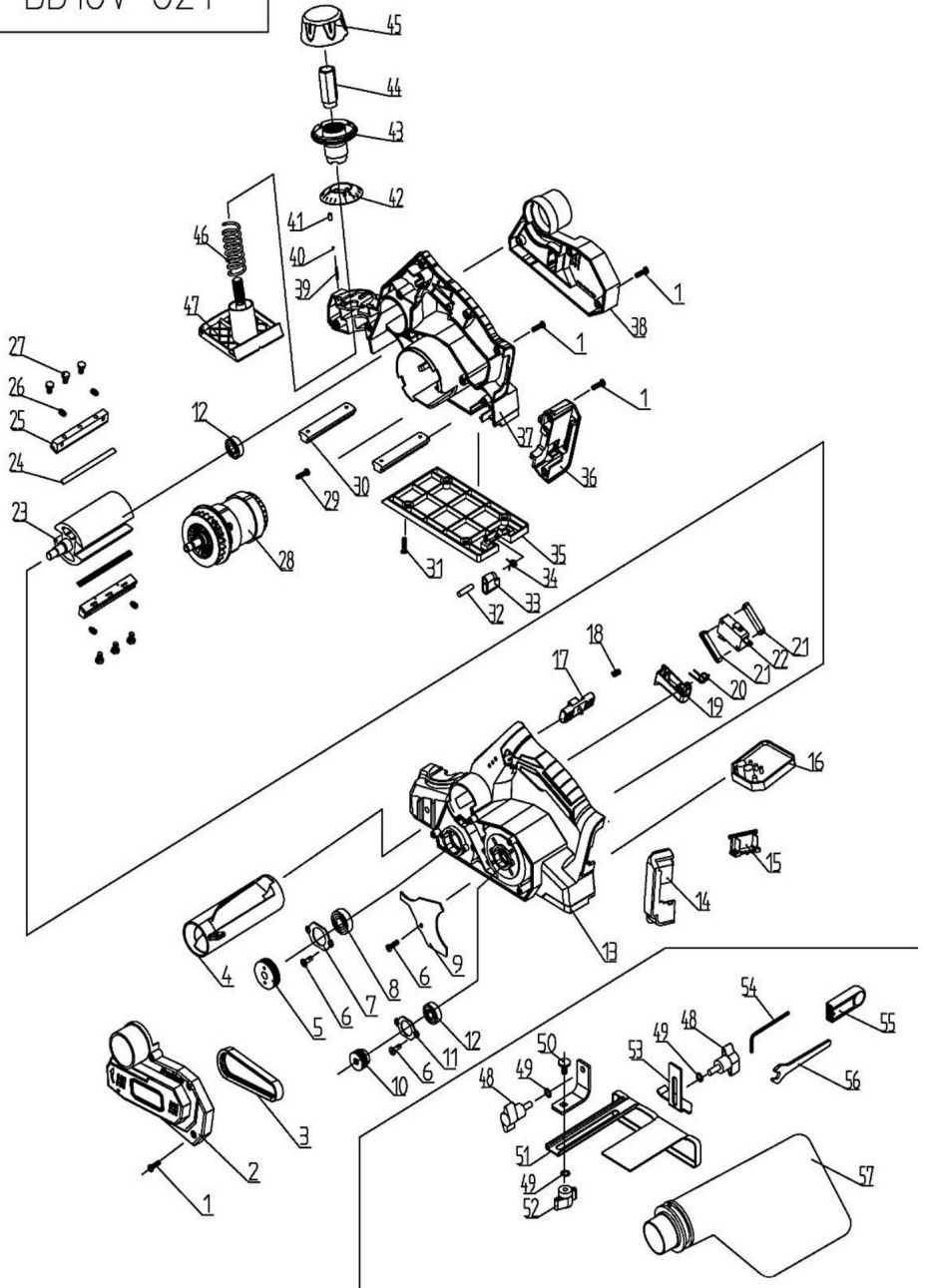
NÚMERO DE PIEZA	DESCRIPCIÓN	CANTIDAD
1	Guía paralela	
1-1	Guía paralela	1 pieza
1-2	Soporte de guía paralela	1 pieza
1-3	Tuerca de mariposa	1 pieza
1-4	Arandela plana	1 pieza
1-5	Pernos de cuello cuadrado	1 pieza
2	Guía de profundidad	1 pieza
3	Llave hexagonal interior	1 pieza
4	Llave	1 pieza
5	Tapa de llave	1 pieza
6	Tornillo de mariposa	2 piezas
7	Arandela plana	2 piezas
8	Bolsa para el polvo	1 pieza
9	Cuchilla	1 JUEGO

## ACCESORIOS--CEPILLADORA SIN ESCOBILLAS CON CAJA BMC



NÚMERO DE PIEZA	DESCRIPCIÓN	CANTIDAD
1	Guía paralela	
1-1	Guía paralela	1 pieza
1-2	Soporte de guía paralela	1 pieza
1-3	Tuerca de mariposa	1 pieza
1-4	Arandela plana	1 pieza
1-5	Pernos de cuello cuadrado	1 pieza
2	Guía de profundidad	1 pieza
3	Llave hexagonal interior	1 pieza
4	Llave	1 pieza
5	Tapa de llave	1 pieza
6	Tornillo de mariposa	2 piezas
7	Arandela plana	2 piezas
8	Bolsa para el polvo	1 pieza
9	Cuchilla	1 JUEGO
10	Cambiador	1 pieza
11	de batería	1 pieza

DB18V-821



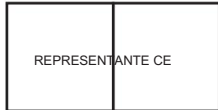
DB18V-821B							
NO.	DESCRIPCIÓN	CANTIDAD		NO.	DESCRIPCIÓN	CANTIDAD	
1	TORNILLO ROSCANTE ST4*14	20 piezas	30		JUNTA DE SOPORTE	2	Piezas
2	CUBIERTA DE CINTURÓN	1	PCS 31		TORNILLO ROSCANTE ST4*12	4	Piezas
3	CINTURÓN	1	Piezas 32		PASADOR CILÍNDRICO 5*32	1	Piezas
4	TUBO DE POLVO	1	PCS 33		DESCANSO EN PARQUE	1	Piezas
5	POLEA EN V (GRANDE)	1	Piezas 34		RESORTE DE TORSIÓN	1	Piezas
6	TORNILLO ROSCANTE ST4X12	5 piezas	35		BASE	1	Piezas
7	CUBIERTA DE COJINETE	1	Piezas 36		CUBIERTA DEL PASADOR DE LA BATERÍA (2)	1	Piezas
8	RODAMIENTO DE BOLAS 6000RS	1	PCS 37		VIVIENDA ADECUADA	1	Piezas
9	DEFLECTOR DE POLVO	1	PCS 38		CUBIERTA TRASERA	1	Piezas
10	POLEA EN V (PEQUEÑA)	1	PCS 39		RESORTE DE TORSIÓN	1	Piezas
11	CUBIERTA DE COJINETE	1	Piezas 40		BOLA DE ACERO 2.5	1	Piezas
12	Rodamiento de bolas 608RS	2 piezas	41		BALA	1	Piezas
13	CARCASA IZQUIERDA	1	Piezas 42		ESCALA DE PROFUNDIDAD	1	Piezas
14	CUBIERTA DEL PASADOR DE LA BATERÍA (1)	1	PCS 43		PERILLA	1	Piezas
15	PIN DE LA BATERÍA	1	Piezas 44		TUERCA DE AJUSTE	1	Piezas
16	PLACA DE CONTROL DE PCB	1	Piezas 45		CUBIERTA DE PERILLA	1	Piezas
17	BOTÓN DE BLOQUEO	1	Piezas 46		RESORTE DE AJUSTE	1	Piezas
18	PRIMAVERA	1	PCS 47		BASE DELANTERA	1	Piezas
19	BOTÓN DEL INTERRUPTOR	1	Piezas 48		TORNILLO DE MARIPOSA	2	Piezas
20	RESORTE DE TORSIÓN	1	PCS 49		ARANDELA PLANA $\phi$ 6	3	Piezas
21	BASE DEL INTERRUPTOR	2 piezas	50		PERNO DE CUJELLO CUADRADO M6X12	1	Piezas
22	CAMBIAR	1	PCS 51		GUÍA DE BORDES	1	Piezas
23	RODILLO	1	Piezas 52		NUEZ MARIPOSA	1	Piezas
24	CUCHILLA	2 piezas	53		GUÍAS DE PROFUNDIDAD	1	Piezas
25	PORTA HOJA	2 piezas	54		LLAVE HEXAGONAL INTERNA 1		Piezas
26	TORNILLO M5*10	4 piezas	55		ALMACENAMIENTO DE LLAVES	1	Piezas
27	Perno hexagonal M5*8	6 piezas	56		LLAVE INGLESA	1	Piezas
28	MOTOR SIN ESCOBILLAS	1	PCS 57		BOLSA PARA EL POLVO	1	Piezas
29	TORNILLO ROSCANTE ST4*10	2 piezas					

Fabricante: Shanghaimuxinmuyeyouxiangongsi

Dirección: Shuangchenglu 803nong11hao1602A-1609shi, baoshanqu, shanghai  
200000 CN.

Importado a Australia: SIHAO PTY LTD, 1 ROKEVA STREETEASTWOOD NSW  
2122 Australia

Importado a EE. UU.: Sanven Technology Ltd., Suite 250, 9166 Anaheim Place, Rancho  
Cucamonga, CA 91730



E-CrossStu GmbH

Mainzer Landstr.69, 60329 Fráncfort del Meno.



YH CONSULTING LIMITADA.

C/O YH Consulting Limited Oficina 147, Centurion House,  
Carretera de Londres, Staines-upon-Thames, Surrey, TW18 4AX

**VEVOR**®  
**TOUGH TOOLS, HALF PRICE**

Soporte técnico y certificado de garantía  
electrónica [www.vevor.com/support](http://www.vevor.com/support)

# VEVOR<sup>®</sup>

## TOUGH TOOLS, HALF PRICE

Wsparcie techniczne i certyfikat gwarancji elektronicznej [www.vevor.com/support](http://www.vevor.com/support)

### PLANY

MODEL:DB18V-821

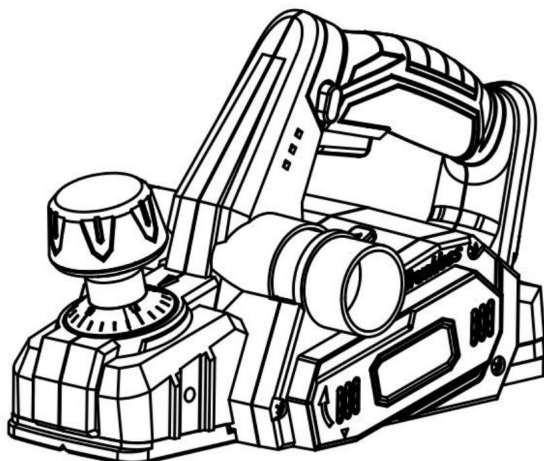
Nadal staramy się oferować Państwu narzędzia w konkurencyjnych cenach. „Oszczędź połowę”, „Połowa ceny” lub inne podobne wyrażenia używane przez nas stanowią jedynie szacunkowe oszczędności, jakie możesz uzyskać, kupując u nas określone narzędzia w porównaniu z głównymi markami i niekoniecznie oznaczają one objęcie wszystkich kategorii narzędzi oferowanych przez nas. Uprzejmie przypominamy, aby dokładnie sprawdzić, czy składając u nas zamówienie faktycznie oszczędzasz połowę w porównaniu z głównymi markami.

# VEVOR<sup>®</sup>

TOUGH TOOLS, HALF PRICE

PLANY

MODEL:DB18V-821



OSTRZEŻENIE: Aby zmniejszyć ryzyko obrażeń, użytkownik musi przeczytać i przestrzegać poniższych wskazówek.

Przed użyciem produktu należy zapoznać się z instrukcją obsługi.

POTRZEBUJESZ POMOCY? SKONTAKTUJ SIĘ Z NAMI!

Masz pytania dotyczące produktu? Potrzebujesz wsparcia technicznego? Skontaktuj się z nami:

Wsparcie techniczne i certyfikat gwarancji  
elektronicznej [www.vevor.com/support](http://www.vevor.com/support)

To jest oryginalna instrukcja, przed użyciem należy uważnie przeczytać wszystkie instrukcje. VEVOR zastrzega sobie jasną interpretację naszej instrukcji obsługi. Wygląd produktu będzie zależał od produktu, który otrzymałeś. Prosimy o wybaczenie, że nie poinformujemy Cię ponownie, jeśli w naszym produkcie pojawią się jakiegokolwiek aktualizacje technologiczne lub oprogramowania.

## SPIS TREŚCI

※Ogólne ostrzeżenia dotyczące bezpieczeństwa narzędzi elektrycznych.....	03
※Ostrzeżenia dotyczące bezpieczeństwa strugarki.....	06
※Symbole.....	08
※Cechy.....	10
※Montaż.....	10
※Działanie .....	11
※Akcesoria.. ..	26

## OGÓLNE OSTRZEŻENIA DOTYCZĄCE BEZPIECZEŃSTWA ELEKTRYCZNYCH



Przeczytaj wszystkie ostrzeżenia dotyczące bezpieczeństwa i wszystkie instrukcje. Nieprzestrzeganie ostrzeżeń i instrukcji może spowodować porażenie prądem, pożar i/lub poważne obrażenia.

Zachowaj wszystkie ostrzeżenia i instrukcje, aby móc z nich skorzystać w przyszłości.

Termin „narzędzie elektryczne” w ostrzeżeniach odnosi się do urządzenia zasilanego z sieci.

elektronarzędzie (przewodowe) lub elektronarzędzie zasilane akumulatorowo (beprzewodowe).

### BEZPIECZEŃSTWO W MIEJSCU PRACY

Utrzymuj miejsce pracy w czystości i dobrym oświetleniu. Zagrazone lub ciemne obszary zachęcają do wypadków.

Nie należy używać elektronarzędzi w atmosferach wybuchowych, np.

obecność łatwopalnych cieczy, gazów lub pyłów. Narzędzia elektryczne wytwarzają iskry które mogą spowodować zapłon pyłu lub oparów.

Podczas obsługi elektronarzędzia należy trzymać dzieci i osoby postronne z dala od urządzenia.

Rozproszenie uwagi może spowodować utratę kontroli.

### BEZPIECZEŃSTWO ELEKTRYCZNE

Wtyczki elektronarzędzi muszą pasować do gniazdka. Nigdy nie modyfikuj wtyczki w żaden sposób.

Nie należy używać żadnych adapterów w połączeniu z uziemionymi elektronarzędziami.

Niezmodyfikowane wtyczki i pasujące do nich gniazdka zmniejszają ryzyko porażenia prądem. Unikaj kontaktu ciała z uziemionymi powierzchniami, takimi jak rury, grzejniki, kuchenki i lodówki. Istnieje zwiększone ryzyko porażenia prądem.

porażenia prądem, jeśli twoje ciało jest uziemione.

Nie wystawiaj elektronarzędzi na działanie deszczu lub wilgoci. Woda może dostać się do wnętrza urządzenia.

elektronarzędzie zwiększa ryzyko porażenia prądem. Nie nadużywaj przewodu. Nigdy nie używaj przewodu do przenoszenia, ciągnięcia lub

odłączanie elektronarzędzia. Trzymaj przewód z dala od ciepła, oleju, ostrych krawędzi

lub ruchomych części. Uszkodzone lub splątane przewody zwiększają ryzyko

porażenia prądem.

Podczas używania elektronarzędzi na zewnątrz należy używać przedłużacza odpowiedniego do użytku na zewnątrz. Użycie przewodu nadającego się do użytku na zewnątrz zmniejsza ryzyko porażenia prądem

elektrycznym. Jeżeli nie można uniknąć używania elektronarzędzia w wilgotnym miejscu, należy użyć uziemienia zasilanie zabezpieczone wyłącznikiem różnicowoprądowym (GFCI). Zastosowanie wyłącznika GFCI zmniejsza ryzyko porażenia prądem.

Używaj tego produktu wyłącznie z akumulatorami i ładowarkami wymienionymi w kategorii Narzędzia/Urządzenia/ dodatek korelacyjny dotyczący akumulatorów/ładowarek 987000-432.

## BEZPIECZEŃSTWO OSOBISTE

Zachowaj czujność, zwracaj uwagę na to, co robisz i kieruj się zdrowym rozsądkiem, obsługi elektronarzędzia. Nie używaj elektronarzędzia, gdy jesteś zmęczony lub pod wpływem narkotyków, alkoholu lub leków. Chwila nieuwagi podczas obsługi elektronarzędzi może skutkować poważnymi obrażeniami ciała obrażenia.

Stosuj środki ochrony osobistej. Zawsze noś okulary ochronne.

Środki ochrony osobistej, takie jak maska przeciwpyłowa, antypoślizgowe obuwie robocze, kask ochronny lub ochrona słuchu stosowane w odpowiednich warunkach, zmniejszą obrażenia ciała.

Zapobiegaj przypadkowemu uruchomieniu. Upewnij się, że przełącznik jest w pozycji wyłączonej. przed podłączeniem do źródła zasilania i/lub akumulatora, podniesieniem lub noszenie narzędzia.

Przenoszenie elektronarzędzi z palcem na przełączniku lub podłączanie zasilania narzędzia, które mają włączony przełącznik, są przyczyną wypadków.

Przed włączeniem elektronarzędzia należy wyjąć klucz regulacyjny lub klucz nasadowy. klucz lub kluczyk pozostawiony na obracającej się części elektronarzędzia może spowodować obrażenia ciała.

Nie wychylaj się za bardzo. Zawsze utrzymuj równowagę i odpowiednie oparcie. umożliwi lepszą kontrolę elektronarzędzia w nieoczekiwanych sytuacjach. Ubierz się odpowiednio. Nie zakładaj luźnej odzieży ani biżuterii. Trzymaj włosy, odzież i rękawice z dala od ruchomych części. Luźne ubrania, biżuteria lub długie włosy mogą zostać wciągnięte przez ruchome części. Jeżeli przewidziano urządzenia do podłączenia odsysania pyłu i

obiektów zbiorczych, upewnij się, że są one podłączone i prawidłowo używane. Użyj zbierania pyłu może ograniczyć zagrożenia związane z pyłem.

Nie noś luźnej odzieży ani biżuterii. Trzymaj długie włosy. Luźne ubrania, biżuteria lub długie włosy mogą zostać wciągnięte do otworów wentylacyjnych. Nie używaj drabiny ani niestabilnego podparcia. Stabilne oparcie na twardej powierzchni zapewnia lepszą kontrolę nad elektronarzędziem w nieoczekiwanych sytuacjach.

#### UŻYTKOWANIE I KONSERWACJA ELEKTRONARZĘDZI

Nie używaj elektronarzędzi na siłę. Używaj właściwego elektronarzędzia dla swojego zastosowania. Prawidłowe elektronarzędzie wykona pracę lepiej i bezpieczniej szybkości, dla której zostało zaprojektowane.

Nie używaj elektronarzędzia, jeżeli przełącznik nie włącza się i nie wyłącza. Wszelkie elektronarzędzie, którego nie można kontrolować za pomocą przełącznika, jest niebezpieczne i należy naprawić.

Odłącz wtyczkę od źródła zasilania i/lub akumulator od

elektronarzędzie przed dokonaniem jakichkolwiek regulacji, wymianą akcesoriów lub przechowywaniem elektronarzędzi. Takie środki zapobiegawcze zmniejszają ryzyko przypadkowego uruchomienia elektronarzędzia.

Przechowuj nieużywane elektronarzędzia w miejscu niedostępnym dla dzieci i nie pozwalaj im osoby niezaznajomione z elektronarzędziem lub niniejszą instrukcją obsługi elektronarzędzie. Elektronarzędzia są niebezpieczne w rękach nieprzeszkolonych użytkowników.

Konserwuj elektronarzędzia. Sprawdź, czy ruchome części nie są źle ustawione lub nie są zablokowane, czy nie ma pęknięć części i czy nie występują inne warunki, które mogą mieć wpływ na zasilanie działanie narzędzia. W przypadku uszkodzenia należy przed przystąpieniem do naprawy elektronarzędzia użycie. Wiele wypadków jest spowodowanych przez źle konserwowane elektronarzędzia.

Utrzymuj narzędzia tnące ostre i czyste. Prawidłowo konserwowane narzędzia tnące z ostrymi krawędziami tnącymi są mniej podatne na zakleszczanie i łatwiejsze do kontrolowania.

Używaj elektronarzędzia, akcesoriów, końcówek narzędziowych itp. zgodnie z niniejszymi instrukcje, biorąc pod uwagę warunki pracy i zakres prac, jakie mają być wykonane być wykonane. Użycie elektronarzędzia do operacji innych niż te, zamierzone działanie może spowodować niebezpieczną sytuację.

#### UŻYTKOWANIE I KONSERWACJA NARZĘDZIA AKUMULATOROWEGO

Ładuj wyłącznie za pomocą ładowarki określonej przez producenta. Ładowarka, który jest odpowiedni dla jednego typu akumulatora, może stwarzać ryzyko pożaru, gdy używany z innym akumulatorem. Używaj elektronarzędzi wyłącznie z specjalnie przeznaczonymi akumulatorami. Używanie Stosowanie innych akumulatorów może stwarzać ryzyko obrażeń ciała i pożaru. Gdy akumulator nie jest używany, należy trzymać go z dala od innych metalowych przedmiotów, takie jak spinacze do papieru, monety, klucze, gwoździe, śruby lub inne małe metalowe przedmioty, który może nawiązać połączenie z jednego terminala do drugiego. Zwarcie stykanie się zacisków akumulatora może spowodować oparzenia lub pożar. W przypadku niewłaściwego użytkowania z akumulatora może wydostać się płyn; należy unikać kontakt. Jeśli dojdzie do przypadkowego kontaktu, przemyj wodą. Jeśli nastąpi kontakt z cieczą oczy, dodatkowo zasięgnij pomocy lekarskiej. Płyn wyrzucany z baterii może powodować podrażnienia lub oparzenia.

#### PRACA

Oddawaj elektronarzędzie do serwisu wyłącznie przez wykwalifikowanego pracownika, identyczne części zamienne. Zapewni to bezpieczeństwo zasilania narzędzie jest konserwowane.

Podczas serwisowania elektronarzędzi należy używać wyłącznie identycznych części zamiennych. Postępuj zgodnie z instrukcjami podanymi w sekcji Konserwacja w tym podręczniku. Korzystanie z nieautoryzowane części lub nieprzestrzeganie instrukcji konserwacji może stwarzać ryzyko porażenia prądem lub obrażeń.

#### OSTRZEŻENIA DOTYCZĄCE BEZPIECZEŃSTWA PLANERA

Przed odłożeniem narzędzia należy odczekać, aż frez się zatrzyma. obracający się nóż może zetknąć się z powierzchnią, co może prowadzić do utraty kontroli i poważnych obrażeń.

Użyj zacisków lub innego praktycznego sposobu, aby zabezpieczyć i podeprzeć obrabianego przedmiotu na stabilnej platformie. Trzymanie przedmiotu obrabianego ręką lub przy korpusu powoduje jego niestabilność, co może prowadzić do utraty kontroli. Trzymaj elektronarzędzie wyłącznie za izolowane powierzchnie uchwytu.

Poznaj swoje elektronarzędzie. Przeczytaj uważnie instrukcję obsługi. Naucz się jego zastosowań i ograniczeń, a także konkretnych potencjalnych zagrożeń związanych z tym elektronarzędziem. Przestrzeganie tej zasady zmniejszy ryzyko porażenie prądem, pożar lub poważne obrażenia.

Zawsze noś okulary ochronne z osłonami bocznymi oznaczonymi jako zgodne z normami ANSI Z87.1. Przestrzeganie tej zasady zmniejszy ryzyko poważnych obrażeń ciała. obrażenia.

Chroń płuca. Noś maskę na twarz lub maskę przeciwpyłową, jeśli operacja jest zapyłona. Przestrzeganie tej zasady zmniejszy ryzyko poważnych obrażeń ciała. Chroń swój słuch.

Noś ochronę słuchu podczas dłuższych okresów operacji. Przestrzeganie tej zasady zmniejszy ryzyko poważnych obrażeń ciała. obrażenia.

Narzędzia akumulatorowe nie muszą być podłączone do gniazdka elektrycznego, dlatego są zawsze w stanie roboczym. Bądź świadomy możliwych zagrożeń gdy nie używasz narzędzia akumulatorowego lub podczas wymiany akcesoriów. Przestrzeganie tej zasady zmniejszy ryzyko porażenia prądem, pożaru lub poważnych obrażeń. obrażenia ciała.

Nie umieszczaj narzędzi akumulatorowych ani ich akumulatorów w pobliżu ognia lub ciepła. Spowoduje to zmniejszy ryzyko wybuchu i ewentualnych obrażeń. Nie miażdź, nie upuszczaj ani nie uszkadzaj akumulatora. Nie używaj akumulatora ani ładowarka, która została upuszczona lub mocno uderzona. Uszkodzona bateria jest podatna na wybuch. Prawidłowo zutylizuj upuszczony lub natychmiast wymienić uszkodzony

akumulator. Akumulatory mogą wybuchnąć w obecności źródła zapłonu, np. światło pilotażowe. Aby zmniejszy ryzyko poważnych obrażeń ciała, nigdy nie używaj żadnego bezprzewodowy produkt w obecności otwartego ognia. Wybuch baterii może wyrzucać szczątki i chemikalia. W przypadku narażenia natychmiast przemyć wodą. Nie ładować narzędzia akumulatorowego w wilgotnym lub mokrym miejscu. Nie używać, nie przechowywać ani nie ładować akumulatory lub produkty w miejscach, w których temperatura wynosi poniżej 50° Dla temperatur powyżej 100°F. Nie przechowywać na zewnątrz ani w pojazdach. W przypadku ekstremalnego użytkowania lub warunków temperaturowych może dojść do wycieku elektrolitu z baterii. wystąpić. Jeśli płyn dostanie się na skórę, natychmiast przemyj ją mydło i woda. Jeśli płyn dostanie się do oczu, przemyj je czystą wodą przez co najmniej 10 minut, a następnie natychmiast zasięgnij porady lekarza.




Zasada ta zmniejszy ryzyko poważnych obrażeń ciała.

Zapisać te instrukcje. Często do nich zaglądać i używać ich, aby




poinstruuj innych, którzy mogą korzystać z tego narzędzia. Jeśli pożyczasz komuś to narzędzie, pożycz im także te instrukcje.

## SYMBOLIKA

Poniższe słowa sygnałowe i ich znaczenie mają na celu wyjaśnienie poziomów o ryzyku związanym z tym produktem.

SYMBOL SYGNAŁU		OZNACZAJĄCY
	NIEBEZPIECZEŃSTWO	Oznacza niebezpieczną sytuację, która, jeśli nie zostanie podjęta, jeśli się tego uniknie, spowoduje to śmierć lub poważne obrażenia
	OSTRZEŻENIE	Oznacza niebezpieczną sytuację, która, jeśli nie zostanie podjęta, uniknięte, może spowodować śmierć lub poważne obrażenia
	OSTROŻNOŚĆ	Oznacza niebezpieczną sytuację, która, jeśli nie zostanie podjęta, uniknięte, może spowodować śmierć lub poważne obrażenia
	OGŁOSZENIE:	(Bez symbolu ostrzegawczego) Oznacza informację uważane za ważne, ale nie związane z potencjalnym obrażenia (np. wiadomości dotyczące uszkodzeń mienia).

Niektóre z poniższych symboli mogą być używane na tym produkcie. Prosimy o zapoznanie się z nimi i poznaj ich znaczenie. Prawidłowa interpretacja tych symboli pozwoli Ci obsługiwać produkt lepiej i bezpieczniej.

SYMBOL	SYGNAŁ	OZNACZAJĄCY
	Alert bezpieczeństwa	Oznacza potencjalne zagrożenie obrażeniami ciała
	Przeczytaj Operatora Podręcznik	Aby zmniejszyć ryzyko obrażeń, użytkownik musi przeczytać i przed użyciem zapoznać się z instrukcją obsługi ten produkt.
	Ochrona oczu	Zawsze noś okulary ochronne z osłonami bocznymi oznakowane jako zgodne z normą ANSI Z87.1

	Ochrona słuchu	Podczas korzystania z tego produktu należy zawsze używać ochronników słuchu. produkt.
	Pył do noszenia maski	Podczas korzystania z tego produktu należy zawsze nosić maskę przeciwypyłową. produkt.
	Warunki wilgotne Alarm	Nie wystawiać na działanie deszczu i nie używać w wilgotnych miejscach.
	Bez rąk Symbol	Nieutrzymywanie rąk z dala od ostrze może spowodować poważne obrażenia ciała.
	Symbol recyklingu	W tym produkcie zastosowano baterie litowo-jonowe (Li-ion). Prawo lokalne, stanowe lub federalne może zabraniać utylizacja baterii w zwykłych śmieciach. Skonsultuj się Aby uzyskać więcej informacji, skontaktuj się z lokalnym urzędem ds. odpadów dotyczące dostępnego recyklingu i/lub utylizacji opcje.
	Prawidłowa utylizacja	Niniejszy produkt podlega przepisom Dyrektywa europejska 2012/19/WE. Symbol pokazujący przekreślony kosz na śmieci oznacza, że produkt wymaga osobnego zbiórka śmieci w Unii Europejskiej. To dotyczy produktu i wszystkich akcesoriów oznaczone tym symbolem. Produkty oznaczone jako takiego nie można wyrzucić w normalny sposób odpady domowe, ale muszą zostać zabrane do punkt zbiórki odpadów elektrycznych i elektrośmieciowych urządzenia elektroniczne
	Oświadczenie FCC	To urządzenie jest zgodne z częścią 15 FCC Zasady. Operacja podlega następującym dwóm warunki: (1) To urządzenie nie może powodować szkodliwe zakłócenia, a (2) to urządzenie musi zaakceptować wszelkie otrzymane zakłócenia, w tym zakłócenia, które mogą powodować niepożądane działanie.
V	Woltów	Voltaż
Hz	Herc	Częstotliwość (cykle na sekundę)
min	Protokół	Czas
	Prędkość obrotowa bez obciążenia	Prędkość obrotowa bez obciążenia
.../minutę	Na minutę	Obroty, uderzenia, prędkość powierzchniowa, orbity itd. na minutę.

## CECHY

## SPECYFIKACJE PRODUKTU

Model	DB18V-821
Napięcie znamionowe	18V
Prędkość bez obciążenia	16000/min
Maksymalna szerokość strugania	82 MM
Maksymalna głębokość strugania	2 MM
Maksymalna głębokość wręgu	8 mm
Typ silnika	Bezsztotkowy
Masa netto	2,5 KG

## MONTAŻ



## OSTRZEŻENIE:

Nie używaj tego produktu, jeśli nie jest w pełni zmontowany lub jeśli jakakolwiek jego część jest uszkodzona. wydają się być brakujące lub uszkodzone. Używanie produktu, który nie jest prawidłowo i całkowicie zmontowane lub z uszkodzonymi lub brakującymi częściami może spowodować poważne obrażenia ciała.



## OSTRZEŻENIE:

Nie należy podejmować prób modyfikacji tego produktu ani tworzenia akcesoriów lub elementów mocujących. nie zaleca się stosowania z tym produktem. Wszelkie takie zmiany lub modyfikacja jest niewłaściwie stosowana i może prowadzić do niebezpiecznych sytuacji do możliwych poważnych obrażeń ciała.

## DZIAŁANIE

### OSTRZEŻENIE:

Nie pozwól, aby znajomość narzędzi sprawiła, że staniesz się nieostrożny. Pamiętaj, że Nieostrożna ułamek sekundy wystarczy, aby spowodować poważne obrażenia.

### OSTRZEŻENIE:

Zawsze wyjmuj akumulator z narzędzia, gdy montujesz części, dokonujesz regulacji, czyścisz lub gdy nie jest używane. Wyjmowanie akumulatora zapobiegnie przypadkowemu uruchomieniu, które mogłoby spowodować poważne obrażenia ciała.

### OSTRZEŻENIE:

Zawsze noś okulary ochronne z osłonami bocznymi oznaczonymi jako zgodne z normą ANSI Z87.1. Niedopełnienie tego obowiązku może spowodować wrzucenie przedmiotów do oczu, powodując potencjalnie poważne obrażenia.

### OSTRZEŻENIE:

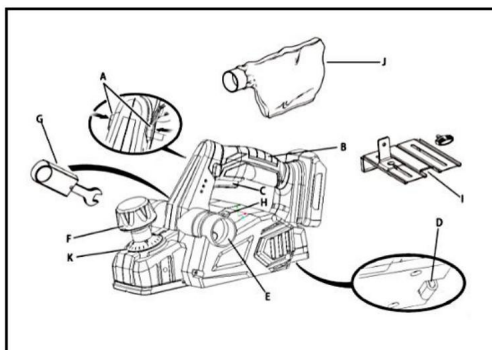
Nie należy używać żadnych akcesoriów ani nasadek niezalecanych przez producenta. producenta tego produktu. Stosowanie dodatków lub akcesoriów nie zalecane może skutkować poważnymi obrażeniami ciała.

### Uwaga:

Zbyt szybkie lub zbyt dogłębne planowanie może spowodować przeciążenie sprzętu ochrona i skrócenie żywotności baterii. Proszę kontrolować prędkość planowania i głębokość rozsądnie.

## ZASTOSOWANIA

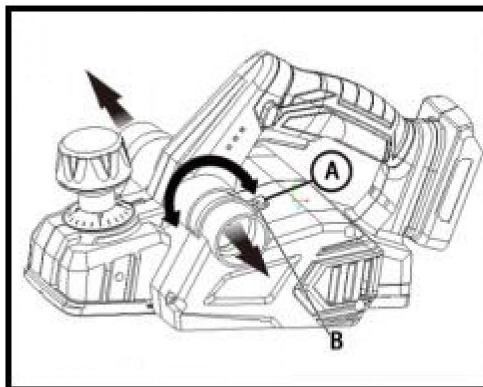
Narzędzie to można wykorzystać do celów wymienionych poniżej: Struganie krawędzi drewnianych drzwi lub półek Struganie krawędzi kawałka drewna Wykonywanie nacięć wrębowych w drewnie Fazowanie ostrych krawędzi drewna



## REGULACJA KIERUNKU WYDECHU

 OSTRZEŻENIE:

Zebrany pył z powłok powierzchni strugania, takich jak poliuretany, olej lniany itp., może samozapalić się w worku na kurz strugarki lub w innym miejscu i spowodować pożar. Aby zmniejszyć ryzyko pożaru, zawsze opróżniaj worek na kurz często podczas strugania. NIGDY nie przechowuj ani nie pozostawiaj strugarki bez wcześniejszego opróżnienia worka na kurz. Postępuj również zgodnie z zaleceniami producentów powłok.



Aby kontrolować kierunek wydechu, zmień go na prawy lub lewy.

kierunek przemieszczania się zanieczyszczeń podczas pracy w przestrzeniach zamkniętych.

Aby wyregulować kierunek wylotu powietrza i worek na kurz:

Wyjmij akumulator. Aby wyregulować

kierunek wydechu w prawo: Przesuń dźwignię kierunku wydechu tak, aby

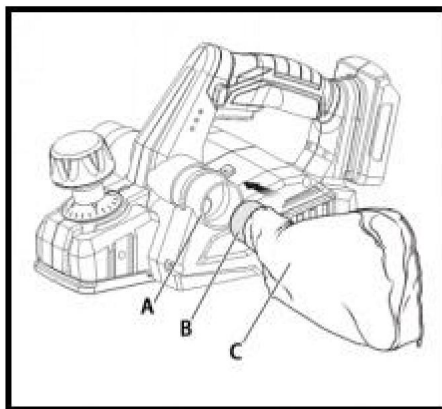
strzałka wskazuje w prawo (uchwyt będzie wskazywał w lewo). Zamontuj worek na kurz na prawy otwór wydechowy.

Aby wyregulować wylot spalin w lewo: Przesuń dźwignię kierunku wylotu spalin tak, aby

strzałka wskazuje w lewo (uchwyt będzie skierowany w prawo). Zamontuj worek na kurz na lewy otwór wydechowy.

UWAGA: Sprawdź, czy worek na kurz jest podłączony do tego samego portu, który został wybrany przez dźwignia kierunku wydechu.

#### MOCOWANIE WORKA NA KURZ



Wyjmij akumulator. Nasuń kołnierz

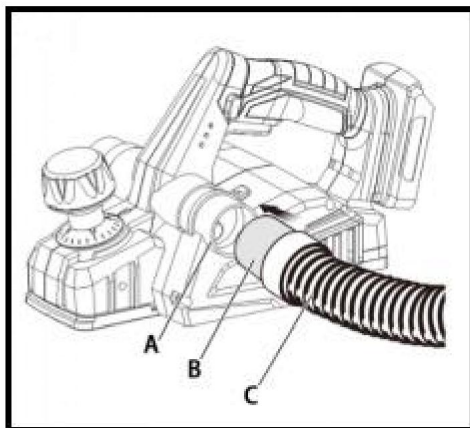
worka na kurz na otwór wylotowy.

UWAGA: Aby wyjąć worek na kurz, należy go wyciągnąć prosto z otworu wylotowego.

 OGŁOSZENIE:

Worek na kurz szybko się napełnia. Opróżniaj go często, aby zapobiec uszkodzeniu produktu.

## PODŁĄCZANIE STRUGARKI DO ODKURZACZA



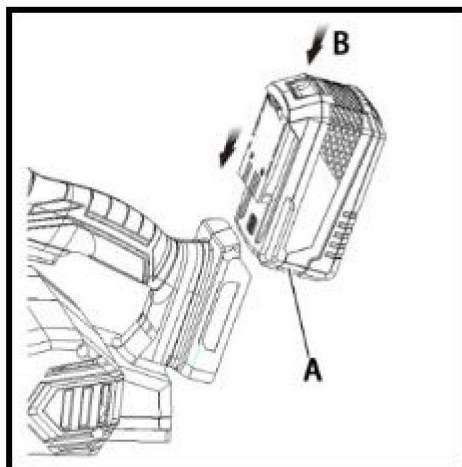
System zbierania wiórów strugarki ma otwór o średnicy 1-1/4 cala do wkładania wąż próżniowy.

Wyjmij akumulator. Wyjmij worek na kurz. Podłącz wąż odkurzacza do lewego lub prawego wylotu wiórów. Ustaw dźwignię kierunku wylotu na wybrany otwór wylotowy. Podłącz odkurzacz do źródła zasilania. Włącz odkurzacz przed rozpoczęciem cięcia.

 OSTRZEŻENIE:

Jeżeli narzędzie nie jest podłączone do odkurzacza, zawsze należy ponownie zamontować worek na pył z powrotem na narzędzie. Niedopełnienie tego obowiązku może spowodować przedostanie się kurzu lub ciał obcych może zostać rzucone w twarz lub oczy, co może spowodować poważne obrażenia obrażenia.

## INSTALOWANIE/WYJMOWANIE AKUMULATORA



Zablokuj spust przełącznika.

Włóż akumulator do produktu zgodnie z ilustracją. Upewnij się, że zatrzaski po obu stronach akumulatora zatrzasnęły się na swoim miejscu. i akumulator jest zabezpieczony w produkcie przed rozpoczęciem obsługi.

Aby wyjąć akumulator, naciśnij zatrzaski. Aby uzyskać pełne instrukcje dotyczące ładowania, zapoznaj się z instrukcjami obsługi.

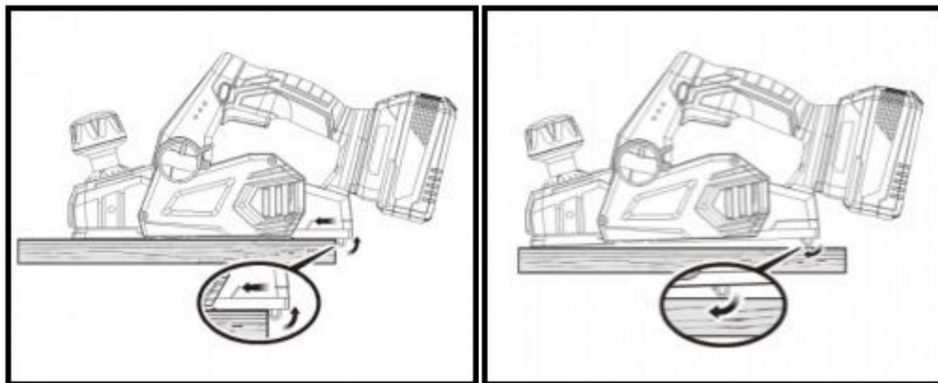
Twój akumulator i ładowarka.

## URUCHAMIANIE/ZATRZYMYWANIE STRUGARKI

Aby uruchomić strugarkę: Naciśnij przycisk blokady z dowolnej strony, a następnie naciśnij spust przełącznika.

Aby zatrzymać strugarkę: Zwolnij spust przełącznika.

## PODPÓRKA

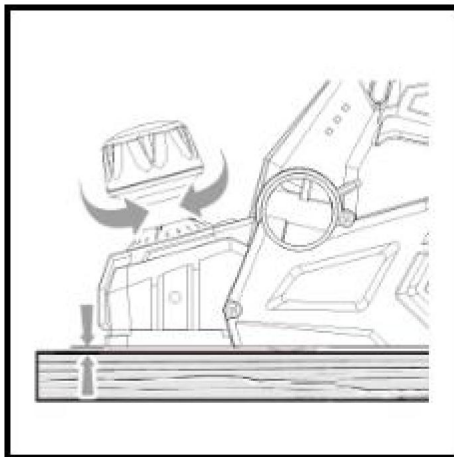


Strugarka została wyposażona w automatyczną obrotową podpórkę, która zapobiega kontaktowi ostrzy ze stołem roboczym, gdy nie jest używana. Gdy rozpoczniesz operację planowania, podpórka automatycznie się cofnie, gdy przejdzie nad krawędzią obrabianego przedmiotu. Po odłożeniu strugarki na stole roboczym podpórka automatycznie się obróci, aby zapobiec kontaktowi ostrzy.

 **OSTRZEŻENIE:**

Upewnij się, że podpórka zawsze działa swobodnie i że obszar wokół niej jest wolny od zanieczyszczeń. W przeciwnym razie może dojść do poważnych obrażeń ciała.

## GLĘBOKOŚĆ STRUGANIA



Gdy zaczniesz planować wstępny kawałek materiału, strugarka będzie tylko usuwać wysokie punkty na początku. Kolejne przejścia usuną więcej i więcej materiału. Usuwać nie więcej niż 1/64 cala przy każdym przejściu, uzyskać najgładsze wykończenie nawet w przypadku najgrubszego przedmiotu obrabianego. Zawsze zaczynaj od wykonania cięć próbnych w odpadach drewnianych, aby upewnić się, że strugarka usuwa żądaną ilość drewna.

Aby ustawić głębokość planowania:

Wymnij akumulator. Obróć pokrętko

regulacji głębokości zgodnie z ruchem wskazówek zegara, aby ustawić żądaną głębokość.

cięcia. Maksymalna głębokość cięcia wynosi 1/16 cala.

UWAGA: Używaj tylko ustawień głębokości z blokadą. Próby cięcia z głębokością ustawienia cięcia pomiędzy ustalonymi pozycjami mogą powodować nierówne cięcia.

UWAGA: Aby chronić ostrza podczas przechowywania, transportu itp., należy obrócić je pokrętko regulacji głębokości cięcia w kierunku przeciwnym do ruchu wskazówek zegara na górze skali głębokości cięcia zaparkuj ostrze.

 OSTRZEŻENIE:

Zawsze mocuj przedmiot obrabiany mocno przed wykonaniem cięcia. Pracuj w ruchu podczas cięcia może spowodować utratę kontroli nad strugarką i poważne obrażenia

obrażeń.

Mocno zaciśnij element roboczy.

Upewnij się, że materiał, który ma zostać zaplanowany, jest wolny od gwoździ, zszywek lub śrub. Podeprzyj element roboczy tak, aby operacja była po Twojej stronie.

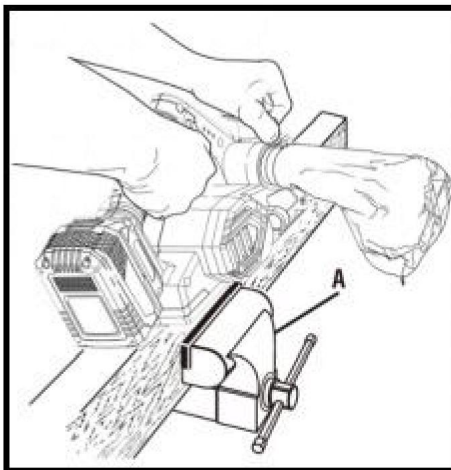
#### OGŁOSZENIE:

Zbyt szybkie struganie skutkuje słabym wykończeniem i zwiększa gromadzenie się wiórów w wydech wiórów. Nagromadzenie wiórów ogranicza przepływ powietrza i może spowodować uszkodzenie silnika przegrzanie.

#### OSTRZEŻENIE:

Nie próbuj czyścić zablokowanego wylotu wiórów, dopóki ostrza się nie zatrzymają i odłączyłeś produkt od źródła zasilania. Nieprzestrzeganie ostrzeżenia to może skutkować poważnymi obrażeniami ciała.

#### PLANOWANIE



Mocno zaciśnij przedmiot

Dostosuj głębokość strugania. Zobacz rozdział Głębokość strugania na początku tej instrukcji.

Trzymaj pokrętko regulacji głębokości jedną ręką, a uchwyt drugą z drugiej strony.



#### OSTRZEŻENIE:

Podczas każdej operacji zawsze trzymaj narzędzie obiema rękami; zapewnia to pewność, że: zachować kontrolę i uniknąć ryzyka poważnych obrażeń ciała. Zawsze prawidłowo podeprzyj i zaciśnij przedmiot tak, aby obie ręce były wolne i można było nim sterować płynnie.

Nigdy nie używaj narzędzia w pozycji górnej lub odwróconej od prawidłowej pozycji roboczej. pozycji, gdyż może to spowodować poważne obrażenia ciała.

Umieść przednią stopkę na krawędzi planowanej pracy.

UWAGA: Upewnij się, że ostrza nie dotykają obrabianego przedmiotu.

Naciśnij pokrętko regulacji głębokości, tak aby przednia stopka była

całkowicie płasko na pracy. Uruchom strugarkę i pozwól silnikowi osiągnąć maksymalną prędkość.

Trzymaj strugarkę mocno i pchaj ją do przodu w kierunku obrabianego przedmiotu, wykonując powolny, stały ruch. Strugaj powoli i często opróżniaj worek na pył. Stosuj nacisk w dół w kierunku tylnego uchwytu, gdy każdy z koniec planowanego cięcia. Pomaga to utrzymać tylną część strugarki podstawa styka się z materiałem i zapobiega przesuwaniu się przedniej części strugarki żłobienie rany.



#### OSTRZEŻENIE:

Podczas planowania operacji należy zachować ostrożność, aby nie uderzyć w gwoździe lub zszywki; działanie może spowodować wyszczerbienie, pęknięcie lub uszkodzenie ostrzy.

UWAGA: Zalecamy, aby zawsze mieć pod ręką zapasowy zestaw ostrzy.

W przypadku pojawienia się oznak stępienia się ostrzy strugarki należy je wymienić. ich. Ostrza są odwracalne i można je odwracać, aż obie strony stać się nudnym.

#### FAZOWANIE

Strugarka została zaprojektowana z rowkiem fazującym w przedniej stopce, aby fazuj narożniki desek, jak pokazano. Przed wykonaniem cięcia na dobrym drewnie,

ćwicz cięcie na odpadach drewna, aby określić ilość, którą należy usunąć. Mocno zaciśnij obrabiany przedmiot. Trzymaj pokrętło regulacji głębokości jedną ręką, a uchwyt drugą z drugiej strony.

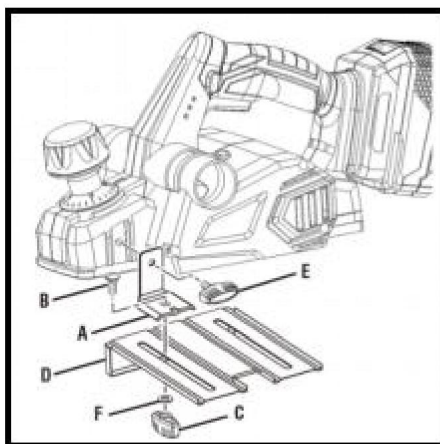
Umieść rowek fazujący na powierzchni, która ma zostać przecięta. Uruchom strugarkę i pozwól, aby silnik osiągnął maksymalną prędkość. Trzymaj strugarkę mocno i przesuwaj ją do przodu w kierunku obrabianego przedmiotu, wykonując powolny, stały ruch.

Na początku i na końcu należy wywierać nacisk w dół, aby utrzymać strugarkę w pozycji płaskiej. koniec powierzchni roboczej.

### STRUGANIE KRAWĘDZI I WYKONYWANIE CIĘĆ WRAPOWYCH

Strugarka wyposażona jest w regulowaną prowadnicę krawędziową, umożliwiającą precyzyjne struganie krawędzi i cięcie wręgów. Zamontuj prowadnicę krawędziową po obu stronach strugarki, aby struganie krawędzi i przymocowanie prowadnicy krawędziowej po lewej stronie w celu wykonania nacięcia wręgowe.

### MONTAŻ PROWADNICY KRAWĘDZIOWEJ DO STRUGANIA KRAWĘDZI



Wymij akumulator. Przymocuj uchwyt do wybranej strony strugarki i dokręć pokrętło. przykręć mocno.

Przymocuj prowadnicę krawędziową do uchwyty za pomocą nakrętki pokrętła i wózka śruby głowicy.

Mocno dokręć nakrętkę pokrętła.

#### KRAWĘDZIE STRUGANE

Postępuj zgodnie ze wskazówkami w sekcji Planowanie wcześniej w tym podręczniku. Trzymaj prowadnicę krawędziową mocno docisnąć do krawędzi powierzchni roboczej.

#### MONTAŻ PROWADNICY KRAWĘDZIOWEJ W CELU WYKONANIA

##### CIĘCIA WRABOWE

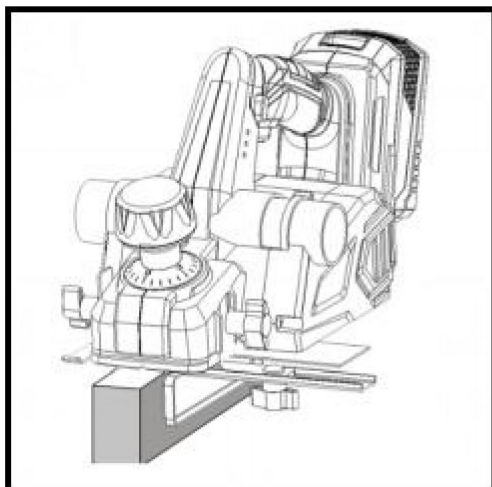
Wyjmij akumulator. Zamontuj uchwyt po lewej stronie strugarki i dokręć śrubę pokrętła.

bezpiecznie.

Przymocuj prowadnicę krawędziową luźno do wspornika za pomocą nakrętki pokrętła i śruby z łbem stożkowym (nie dokręcać).

Dostosuj prowadnicę krawędziową do żądanej szerokości wręgu. Mocno dokręć nakrętkę pokrętła.

#### WYKONYWANIE CIĘĆ WRAPOWYCH



Postępuj zgodnie ze wskazówkami w sekcji Planowanie wcześniej w tym podręczniku. Odpocznij prowadnicę krawędziową mocno docisnąc do krawędzi powierzchni roboczej.

Głębokość wrębu jest ustalana na podstawie głębokości nacięcia i

liczba przejść wykonanych wzdłuż powierzchni roboczej.

Maksymalna głębokość wręgu wynosi 1/2 cala i musi być wykonywana w przejściach 1/16 cala lub mniejszych,

aby osiągnąć pożądaną głębokość. Szerokość wręgu wynosi

regulowana poprzez przesunięcie prowadnicy krawędziowej.



**OSTRZEŻENIE:**

Podczas serwisowania należy używać wyłącznie identycznych części zamiennych. Stosowanie innych części części mogą stwarzać zagrożenie lub powodować uszkodzenie produktu.



**OSTRZEŻENIE:**

Zawsze noś okulary ochronne z osłonami bocznymi oznaczonymi jako zgodne z normą ANSI

Z87.1. Niedopełnienie tego obowiązku może spowodować wrzucenie przedmiotów do oczu.

powodując potencjalnie poważne obrażenia.

## OGÓLNA KONSERWACJA

Unikaj stosowania rozpuszczalników podczas czyszczenia części z tworzyw sztucznych. Większość tworzyw sztucznych jest

podatne na uszkodzenia spowodowane różnymi rodzajami rozpuszczalników komercyjnych i mogą

zostać uszkodzone przez ich użycie. Użyj czystych szmatek, aby usunąć brud, kurz, olej, smar itp.



**OSTRZEŻENIE:**

Nigdy nie dopuść do kontaktu płynów hamulcowych, benzyny, produktów na bazie ropy naftowej, olejów

penetrujących itp. z częściami z tworzyw sztucznych. Substancje chemiczne mogą

uszkodzić, osłabić lub zniszczyć plastik, co może skutkować poważnymi obrażeniami ciała

obrażenia.

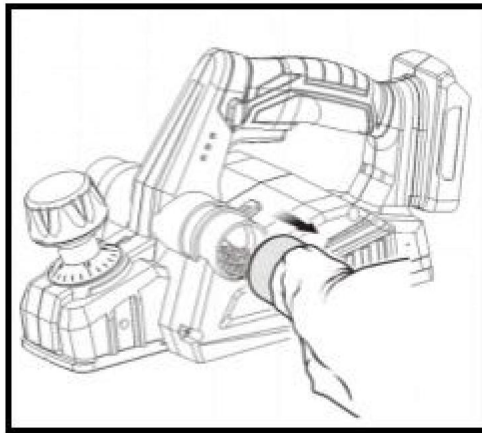
Narzędzia elektryczne stosowane do obróbki materiałów z włókna szklanego, płyt gipsowo-kartonowych, mas szpachlowych lub tynku są narażone na przyspieszone zużycie i możliwość przedwczesnej awarii

ponieważ wióry i wióry z włókna szklanego są bardzo ścierne dla łożysk, szczotek, komutatorów itp. W związku z tym nie zalecamy stosowania to narzędzie do rozszerzonej pracy nad tego typu materiałami. Jednak jeśli to zrobisz pracując z którymkolwiek z tych materiałów, niezwykle ważne jest czyszczenie narzędzia za pomocą sprężonego powietrza.

#### SMAROWANIE

Wszystkie łożyska w tym narzędziu są smarowane odpowiednią ilością smaru o wysokiej zawartości smar najwyższej jakości na cały okres eksploatacji urządzenia w normalnych warunkach pracy. Dlatego nie jest wymagane dalsze smarowanie.

#### CZYSZCZENIE PORTU WYDECHOWEGO I OPRÓŻNIANIE WORKA NA KURZ



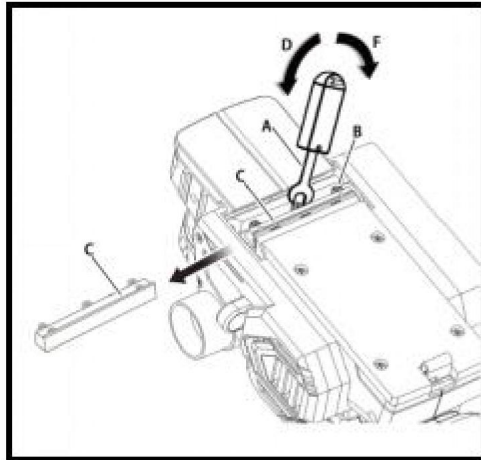
Po dłuższym okresie użytkowania strugarki lub podczas strugania na mokro lub zielonego drewna, wióry mogą gromadzić się w otworze wydechowym i wymagać czyszczenia. Nagromadzenie wiórów ogranicza przepływ powietrza i powoduje awarię silnika przegrzać. Regularnie czyść otwór wylotowy i opróżniaj worek na kurz. Wymij akumulator.

Wymij worek na kurz z otworu wylotowego. Wyczyść otwór wylotowy strugarki z wiórów lub nagromadzonego kurzu za pomocą

mały kawałek drewna. Nie używaj rąk ani palców. Opróżnij worek na kurz ze wszystkich zanieczyszczeń i upewnij się, że kołnierz jest wolny od gruz

Wymień worek na kurz.

## WYMIANA OSTRZY



Ostrza strugarki są odwracalne. Gdy jedna krawędź stępią się, ostrze można odwrócić, tak aby można było użyć drugiej strony.

Zawsze wymieniaj lub odwracaj ostrza parami. Nie próbuj ostrzyć ostrza. Jeśli ostrza w strugarce wykazują oznaki stępienia, wyszczerbienia lub uszkodzone w jakikolwiek sposób, należy je wymienić.

Podczas wymiany ostrzy należy używać wyłącznie zalecanych ostrzy zamiennych,



### OSTRZEŻENIE:

Zawsze zakładaj grube skórzane rękawice i zachowaj ostrożność podczas luzowania ostrza. śruby i obsługa i/lub wymiana ostrzy. Ostrza są ostre i mogą spowodować poważne obrażenia ciała. Wyjmij akumulator.

Zabezpiecz strugarkę w pozycji odwróconej. Odkręć trzy śruby mocujące ostrze do uchwytu ostrza,

obracając przeciwnie do ruchu wskazówek zegara za pomocą dołączonego klucza nasadowego.

UWAGA: Nie luzuj śrub zbyt mocno. Jeśli śruby są zbyt luźne, wyrównanie nowego ostrza nie będzie dokładne.

UWAGA: Przed wyjęciem starych ostrzy należy zwrócić uwagę na kierunek cięcia. jak również jak zorientowana jest stożkowata krawędź starych ostrzy. Stożkowata krawędź nowych ostrzy musi znajdować się w tej samej orientacji co oryginalne ostrza, których stożkowata krawędź znajduje się po tej samej stronie co łyby śrub i płaską krawędzią skierowaną w stronę bloku tnącego. Naciśnij sprężynową osłonę ostrza.

Wypchnij uchwyt ostrza z zespołu bloku tnącego za pomocą końcówki śrubokręta.

Wymij stare ostrze z uchwytu ostrza, wysuwając je za pomocą końcówki śrubokręta.

UWAGA: Jeżeli po poluzowaniu ostrza nie można go łatwo wysunąć z uchwytu, śruby mocujące ostrze, użyj klocka drewnianego, aby odłączyć ostrze od uchwytu ostrza krótkim, ostrym uderzeniem. Następnie popchnij ostrze śrubokrętem, aby go usunąć. W razie potrzeby uderz mocno w klocek drewna mały młotek do oderwania ostrza.

Wyczyść okolice ostrza z trocin i wiórów drewnianych. Wsuń nowe ostrze w szczelinę uchwytu ostrza.

Za pomocą śrubokręta wsuń ostrze do uchwytu ostrza, aż będzie wyśrodkowane w pozycji.

Naciśnij sprężynową osłonę ostrza. Włóż uchwyt ostrza do zespołu bloku tnącego. Dokręć trzy śruby mocujące ostrze za pomocą klucza do ostrzy. Powtórz powyższą procedurę, aby wymienić drugie ostrze.

## WYMIANA PASKA

Wymieniając pasek, należy używać wyłącznie zalecanego paska zamiennego. Wymij akumulator. Odkręć śruby osłony paska.

Zdejmij osłonę paska.

Zdejmij stary pasek z małego koła pasowego, obracając go w pokazanym kierunku.

Podczas obracania paska należy go pociągnąć i zdjąć z małego koła pasowego, aż do całkowitego zsunięcia. całkowicie usunięte z obu kół pasowych.

Załóż nowy pasek na małe koło pasowe, upewniając się, że rowki są wyrównane.

Podczas obracania paska należy go pchać i przesuwać na dużym kole pasowym, aż znajdzie się w odpowiednim położeniu.

miejsce.

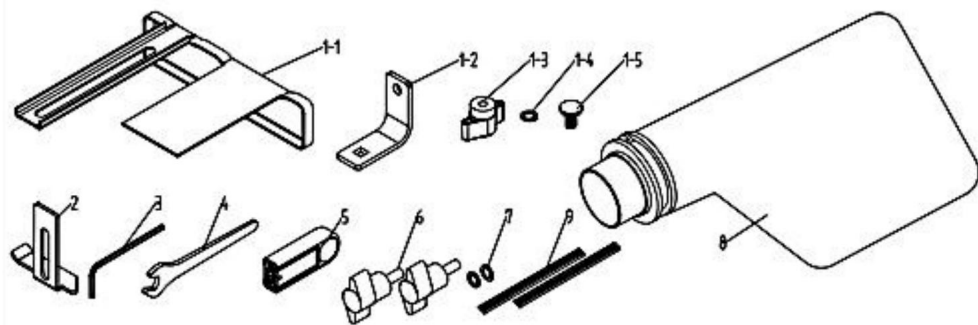
Założ ponownie osłonę paska.

Zamontuj śruby osłony paska i mocno je dokręć.

UWAGA: Nie dokręcaj śrub zbyt mocno.

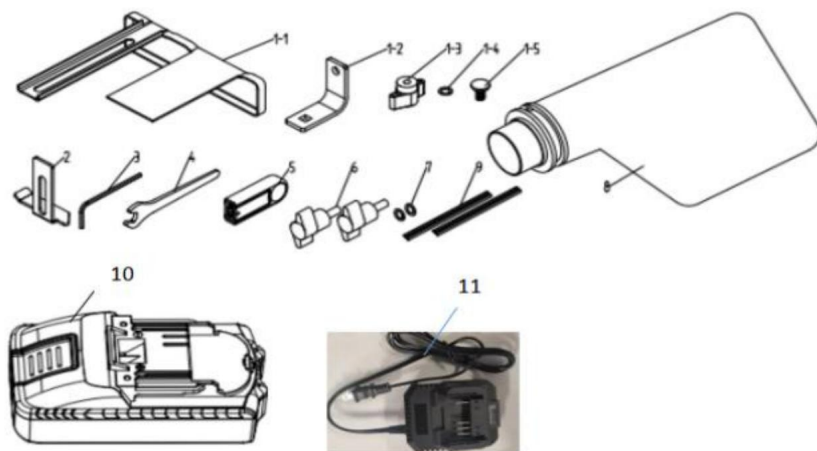
## AKCESORIA

### AKCESORIA--STRUG BEZSZCZOTKOWY Z KOLOROWYM PUDEŁKIEM



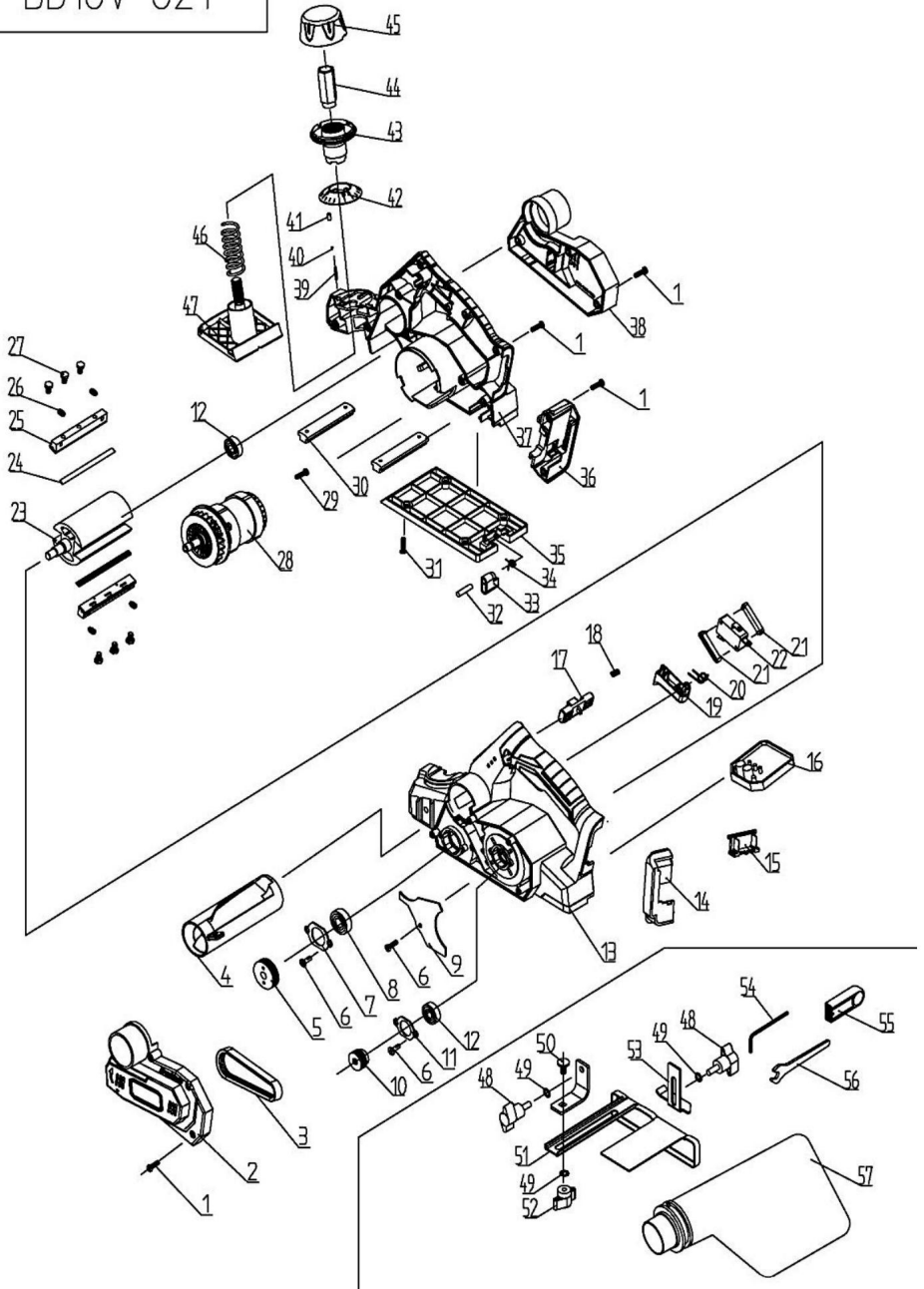
NR CZĘŚCI	OPIS	ILOŚĆ
1	Przewodnik równoległy	
1-1	Przewodnik równoległy	1 szt.
1-2	Wspornik prowadnicy równoległej	1 szt.
1-3	Orzech motylkowy	1 szt.
1-4	Podkładka płaska	1 szt.
1-5	Śruby z kwadratową szyjką	1 szt.
2	Przewodnik głębokości	1 szt.
3	Klucz imbusowy wewnętrzny	1 szt.
4	Klucz do nakrętek	1 szt.
5	Ośłona klucza	1 szt.
6	Śruba motylkowa	2 SZT.
7	Podkładka płaska	2 SZT.
8	Worek przeciwkurzowy	1 szt.
9	Ostrze	1 ZESTAW

## AKCESORIA--STRUGARKA BEZSZCZOTKOWA Z BMC BOX



NR CZĘŚCI	OPIS	ILOŚĆ
1	Przewodnik równoległy	
1-1	Przewodnik równoległy	1 szt.
1-2	Wspornik prowadnicy równoległej	1 szt.
1-3	Orzech motylkowy	1 szt.
1-4	Podkładka płaska	1 szt.
1-5	Śruby z kwadratową szyjką	1 szt.
2	Przewodnik głębokości	1 szt.
3	Klucz imbusowy wewnętrzny	1 szt.
4	Klucz do nakrętek	1 szt.
5	Ośłona klucza	1 szt.
6	Śruba motylkowa	2 SZT.
7	Podkładka płaska	2 SZT.
8	Worek przeciwkurzowy	1 szt.
9	Ostrze	1 ZESTAW
10	Zmieniacz	1 szt.
11	baterii	1 szt.

DB18V-821



DB18V-821B							
NIE.	OPIS	ILOŚĆ		NIE.	OPIS	ILOŚĆ	
1	ŚRUBA GWINTOWANA ST4*14	20 szt.	30		TABLICA WSPARCIA	2	PCS
2	POKRYWA PASKA	1	SZT. 31		ŚRUBA GWINTOWANA ST4*12	4	PCS
3	PASEK	1	SZT. 32		Kołek CYLINDRYCZNY 5*32	1	PCS
4	RURKA PYŁOWA	1	SZT. 33		WYPOCZYNEK W PARKU	1	PCS
5	PASEK KLINOWY (DUŻY)	1	SZT. 34		SPRĘŻYNA SKRĘTNA	1	PCS
6	WKRĘT GWINTUJĄCY ST4X12	5 szt.	35		OPIERAĆ	1	PCS
7	POKRYWA ŁOŻYSKA	1	SZT. 36		OSŁONA bolca akumulatora (2)	1	PCS
8	ŁOŻYSKO KULKOWE 6000RS	1	SZT. 37		PRAWA OBUDOWA	1	PCS
9	PRZESŁONA PRZECIWPYŁOWA	1	SZT. 38		OKŁADKA TYLNA	1	PCS
10	PASEK KLINOWY (MAŁY)	1	SZT. 39		SPRĘŻYNA SKRĘTNA	1	PCS
11	POKRYWA ŁOŻYSKA	1	SZT. 40		KULA STALOWA 2,5	1	PCS
12	ŁOŻYSKO KULKOWE 608RS	2 szt.	41		KULA	1	PCS
13	OBUDOWA LEWA	1	SZT. 42		SKALA GŁĘBOKOŚCI	1	PCS
14	OSŁONA bolca akumulatora (1)	1	SZT. 43		POKRĘTŁO	1	PCS
15	PIN BATERII	1	SZT. 44		REGULACJA NAKRĘTKI	1	PCS
16	PŁYTA STERUJĄCA PCB	1	SZT. 45		OSŁONA POKRĘTŁA	1	PCS
17	PRZYCISK BLOKADY	1	SZT. 46		SPRĘŻYNA REGULACYJNA	1	PCS
18	WIOSNA	1	SZT. 47		PODSTAWA PRZEDNIA	1	PCS
19	PRZYCISK PRZEŁĄCZNIKA	1	SZT. 48		ŚRUBA MOTYLKOWA	2	PCS
20	SPRĘŻYNA SKRĘTNA	1	SZT. 49		PODKŁADKA PŁASKAφ6	3	PCS
21	PODSTAWA PRZEŁĄCZNIKA	2 szt.	50		ŚRUBA Z KWADRATOWYM SZYJKĄ M6X12	1	PCS
22	PRZEŁĄCZNIK	1	SZT. 51		PROWADNICA KRAWĘDZIOWA	1	PCS
23	WALEK	1	SZT. 52		ORZECZ MOTYLKOWY	1	PCS
24	OSTRZE	2 szt.	53		PROWADNICE GŁĘBOKOŚCI	1	PCS
25	UCHWYT NA OSTRZA	2 szt.	54		KLUCZ SZEŚCIOKĄTNY WEWNĘTRZNY 1		PCS
26	ŚRUBA M5*10	4 szt.	55		PRZECHOWYWANIE KLUCZY	1	PCS
27	ŚRUBA SZEŚCIOKĄTNA M5*8	6 szt.	56		KLUCZ	1	PCS
28	SILNIK BEZSZCZOTKOWY	1	SZT. 57		WOREK NA KURZ	1	PCS
29	WKRĘT GWINTUJĄCY ST4*10	2 SZT.					

Producent: Shanghaimuxinmuyeyouxiangongsi

Adres: Shuangchenglu 803nong11hao1602A-1609shi, baoshanqu, szanghaj  
200000 CN.

Importowane do AUS: SIHAO PTY LTD, 1 ROKEVA STREETEASTWOOD NSW  
2122 Australia

Importowane do USA: Sanven Technology Ltd., Suite 250, 9166 Anaheim Place,  
Rancho Cucamonga, CA 91730

Przedstawiciel UE	
-------------------	--

E-CrossStu GmbH

Mainzer Landstr.69, 60329 Frankfurt nad Menem.

REP WIELKIEJ BRYTANII	
-----------------------	--

YH CONSULTING LIMITED.

C/O YH Consulting Limited Biuro 147, Centurion House,  
London Road, Staines-upon-Thames, Surrey, TW18 4AX

**VEVOR**®  
**TOUGH TOOLS, HALF PRICE**

Wsparcie techniczne i certyfikat gwarancji  
elektronicznej [www.vevor.com/support](http://www.vevor.com/support)

# **VEVOR<sup>®</sup>**

## **TOUGH TOOLS, HALF PRICE**

Technische ondersteuning en e-garantiecertificaat [www.vevor.com/support](http://www.vevor.com/support)

### **PLANNEN**

#### **MODEL:DB18V-821**

Wij streven er voortdurend naar om u gereedschappen tegen concurrerende prijzen te leveren.

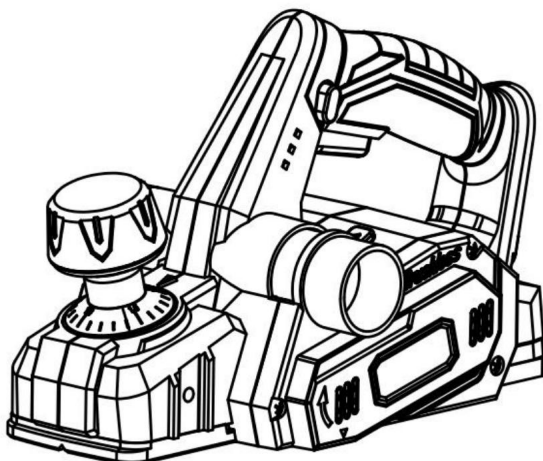
"Save Half", "Half Price" of andere soortgelijke uitdrukkingen die wij gebruiken, geven alleen een schatting van de besparingen die u kunt behalen door bepaalde gereedschappen bij ons te kopen in vergelijking met de grote topmerken en betekent niet noodzakelijkerwijs dat alle categorieën gereedschappen die wij aanbieden, worden gedekt. Wij herinneren u eraan om zorgvuldig te controleren of u daadwerkelijk de helft bespaart in vergelijking met de grote topmerken wanneer u een bestelling bij ons plaatst.

# VEVOR<sup>®</sup>

TOUGH TOOLS, HALF PRICE

PLANNEN

MODEL:DB18V-821



WAARSCHUWING: Om het risico op letsel te verminderen, moet de gebruiker de gebruiksaanwijzing lezen en

Zorg ervoor dat u de gebruiksaanwijzing begrijpt voordat u dit product gebruikt.

#### HULP NODIG? NEEM CONTACT MET ONS OP!

Heeft u vragen over het product? Heeft u technische ondersteuning nodig? Neem dan gerust contact met ons op:

**Technische ondersteuning en e-  
garantiecertificaat [www.vevor.com/support](http://www.vevor.com/support)**

Dit is de originele instructie, lees alle handleidingen zorgvuldig door voordat u het product gebruikt. VEVOR behoudt zich een duidelijke interpretatie van onze gebruikershandleiding voor. Het uiterlijk van het product is afhankelijk van het product dat u hebt ontvangen. Vergeef ons dat we u niet opnieuw zullen informeren als er technologie- of software-updates voor ons product zijn.

## INHOUDSOPGAVE

ÿAlgemene veiligheidswaarschuwingen voor elektrisch gereedschap.....	03
ÿVeiligheidswaarschuwingen voor schaafmachines.....	06
ÿSymbolen.....	08
ÿKenmerken.....	10
ÿMontage.....	10
ÿBediening .....	11
ÿAccessoires.. .....	26

## ALGEMENE VEILIGHEIDSWAARSCHUWINGEN VOOR ELEKTRISCH GEREEDSCHAP



### WAARSCHUWING

Lees alle veiligheidswaarschuwingen en alle instructies. Het niet opvolgen van de waarschuwingen en instructies kunnen leiden tot een elektrische schok, brand en/of ernstig letsel.

### **Bewaar alle waarschuwingen en instructies voor toekomstig gebruik.**

De term "elektrisch gereedschap" in de waarschuwingen verwijst naar uw op het lichtnet aangesloten (snoergebonden) elektrisch gereedschap of op batterijen (snoerloos) elektrisch gereedschap.

### VEILIGHEID OP DE WERKPLEK

ÿ Zorg dat de werkplek schoon en goed verlicht is. Rommelige of donkere ruimtes nodigen uit tot ongelukken.

ÿ Gebruik geen elektrisch gereedschap in explosieve atmosferen, zoals in de aanwezigheid van ontvlambare vloeistoffen, gasen of stof. Elektrisch gereedschap creëert vonken die het stof of de dampen kunnen doen ontbranden.

ÿ Houd kinderen en omstanders uit de buurt terwijl u elektrisch gereedschap gebruikt.

Afleidingen kunnen ervoor zorgen dat u de controle verliest.

### ELEKTRISCHE VEILIGHEID

ÿ Stekkers van elektrisch gereedschap moeten passen bij het stopcontact. Wijzig de stekker nooit op welke manier dan ook.

Gebruik geen adapterstekkers met geaarde elektrische gereedschappen.

Ongewijzigde stekkers en bijpassende stopcontacten verminderen het risico op een elektrische schok. ÿ Vermijd lichaamscontact met geaarde oppervlakken zoals leidingen, radiatoren, fornuizen en koelkasten. Er is een verhoogd risico op elektrische schokken.

schok als uw lichaam geaard is.

ÿ Stel elektrisch gereedschap niet bloot aan regen of natte omstandigheden. Water dat in een elektrisch gereedschap verhoogt het risico op een elektrische schok. ÿ

Misbruik het snoer niet. Gebruik het snoer nooit om te dragen, trekken of

het loskoppelen van het elektrische gereedschap. Houd het snoer uit de buurt van hitte, olie en scherpe randen of bewegende delen. Beschadigde of verstregelde snoeren verhogen het risico op elektrische schok.

- ÿ Wanneer u buitenshuis elektrisch gereedschap gebruikt, gebruik dan een verlengsnoer dat geschikt is voor buitengebruik. Het gebruik van een snoer dat geschikt is voor buitengebruik vermindert het risico van elektrische schokken.
- ÿ Als het gebruik van een elektrisch gereedschap op een vochtige plaats onvermijdelijk is, gebruik dan een geaarde door een foutstroomonderbreker (GFCI) beschermde voeding. Het gebruik van een GFCI vermindert het risico op een elektrische schok.
- ÿ Gebruik dit product alleen met de batterijen en laders die vermeld staan in de sectie gereedschap/apparaat/accu/lader correlatie supplement 987000-432.

## **PERSOONLIJKE VEILIGHEID**

- ÿ Blijf alert, let op wat u doet en gebruik uw gezonde verstand wanneer u iets doet.  
een elektrisch gereedschap bedienen. Gebruik geen elektrisch gereedschap als u moe bent of onder invloed van drugs, alcohol of medicijnen. Een moment van Onoplettendheid bij het bedienen van elektrisch gereedschap kan leiden tot ernstige persoonlijke verwondingen. blessure.
- ÿ Gebruik persoonlijke beschermingsmiddelen. Draag altijd oogbescherming.  
Beschermende uitrusting zoals een stofmasker, antislip veiligheidsschoenen, een veiligheidshelm of gehoorbescherming die voor de juiste omstandigheden wordt gebruikt, zal de kans op letsel verminderen. persoonlijk letsel.
- ÿ Voorkom onbedoeld starten. Zorg ervoor dat de schakelaar in de uit-stand staat voordat u het apparaat aansluit op de stroombron en/of de batterij, het oppakken of het gereedschap dragen.  
Elektrisch gereedschap dragen met uw vinger op de schakelaar of stroomvoorziening Gereedschappen waarvan de schakelaar aan staat, vragen om ongelukken.
- ÿ Verwijder alle afstelsleutels of steeksleutels voordat u het elektrische gereedschap inschakelt.  
Een sleutel of een sleutel die aan een draaiend onderdeel van het elektrische gereedschap is bevestigd, kan persoonlijk letsel tot gevolg hebben.
- ÿ Reik niet te ver. Zorg te allen tijde voor een goede basis en evenwicht. Dit zorgt voor een betere controle over het elektrische gereedschap in onverwachte situaties. ÿ Kleed u goed. Draag geen losse kleding of sieraden. Houd uw haar, kleding en handschoenen uit de buurt van bewegende delen. Losse kleding, sieraden of lang haar kan in bewegende delen vast komen te zitten. ÿ Als er apparaten zijn voorzien voor het aansluiten van stofafzuiging en

Zorg ervoor dat de inzamelfaciliteiten zijn aangesloten en op de juiste manier worden gebruikt. Gebruik van stofafzuiging kan stofgerelateerde gevaren verminderen.

ÿ Draag geen losse kleding of sieraden. Houd lang haar tegen. Losse kleding,

sieraden of lang haar kunnen in de luchtroosters worden getrokken. ÿ

Gebruik geen ladder of onstabiele ondersteuning. Stabiele voet op een stevige ondergrond

zorgt voor een betere controle over het elektrische gereedschap in onverwachte situaties.

#### **GEBRUIK EN ONDERHOUD VAN ELEKTRISCH GEREEDSCHAP**

ÿ Forceer het elektrische gereedschap niet. Gebruik het juiste elektrische gereedschap voor uw

toepassing. Het juiste elektrische gereedschap zal de klus beter en veiliger klaren op de

snelheid waarvoor het is ontworpen. ÿ Gebruik

het elektrische gereedschap niet als de schakelaar niet aan en uit gaat.

elektrisch gereedschap dat niet met de schakelaar kan worden bediend, is gevaarlijk en

moet worden gerepareerd.

ÿ Haal de stekker uit het stopcontact en/of haal de accu uit het stopcontact.

het elektrische gereedschap voordat u aanpassingen doet, accessoires verwisselt of elektrisch gereedschap

opbergt. Dergelijke preventieve veiligheidsmaatregelen verminderen het risico

van het onbedoeld starten van het elektrische gereedschap.

ÿ Bewaar niet-gebruikte elektrische gereedschappen buiten bereik van kinderen en laat ze niet

personen die niet bekend zijn met het elektrische gereedschap of deze gebruiksaanwijzing niet kennen

het elektrische gereedschap. Elektrisch gereedschap is gevaarlijk in de handen van ongetrainde

gebruikers.

ÿ Onderhoud elektrisch gereedschap. Controleer op verkeerde uitlijning of vastlopen van bewegende onderdelen,

breuk van onderdelen en andere omstandigheden die de stroomvoorziening kunnen beïnvloeden.

werking van het gereedschap. Laat het elektrische gereedschap repareren als het beschadigd is voordat u het gebruikt.

gebruik. Veel ongelukken worden veroorzaakt door slecht onderhouden elektrisch gereedschap. ÿ Houd

snijgereedschappen scherp en schoon. Goed onderhouden snijgereedschappen

met scherpe snijkanten hebben minder kans om vast te lopen en zijn gemakkelijker te controleren. ÿ Gebruik het

elektrische gereedschap, de accessoires, de gereedschapsbits, enz. in overeenstemming met deze

instructies, rekening houdend met de werkomstandigheden en de werkzaamheden

worden uitgevoerd. Gebruik van het elektrisch gereedschap voor andere handelingen dan die

bedoeld, kan een gevaarlijke situatie ontstaan.

## GEbruik EN ONDERHOUD VAN ACCUGEREEDSCHAP

ÿ Laad alleen op met de door de fabrikant gespecificeerde lader. Een lader

die geschikt is voor één type batterijpakket kan brandgevaar opleveren wanneer gebruikt met een ander accupakket. ÿ Gebruik

elektrisch gereedschap alleen met specifiek aangewezen accupakketten. Gebruik van

Andere accu's kunnen een risico op letsel en brand opleveren.

ÿ Wanneer de batterij niet in gebruik is, houd deze dan uit de buurt van andere metalen voorwerpen,

zoals paperclips, munten, sleutels, spijkers, schroeven of andere kleine metalen voorwerpen,

die een verbinding van de ene terminal naar de andere kan maken. Kortsluiting van de

Als de accupolen niet tegen elkaar worden geplaatst, kan dit brandwonden of

brand veroorzaken. ÿ Bij misbruik kan er vloeistof uit de accu spatten; vermijd dit.

contact. Als er per ongeluk contact optreedt, spoel dan met water. Als vloeistof in contact komt

ogen, zoek daarnaast medische hulp. Vloeistof die uit de batterij wordt gespoten, kan

irritatie of brandwonden veroorzaken.

## DIENST

ÿ Laat uw elektrisch gereedschap onderhouden door een gekwalificeerde reparateur die uitsluitend

identieke vervangende onderdelen. Dit zorgt ervoor dat de veiligheid van de stroomvoorziening gewaarborgd is. gereedschap wordt onderhouden.

ÿ Gebruik bij het onderhouden van elektrisch gereedschap uitsluitend identieke vervangingsonderdelen.

Volg de instructies in het gedeelte Onderhoud van deze handleiding. Gebruik van

Niet-geautoriseerde onderdelen of het niet opvolgen van de onderhoudsinstructies kunnen

een risico op schokken of letsel opleveren.

## VEILIGHEIDSWAARSCHUWINGEN VOOR SCHAAFMACHINE

ÿ Wacht tot de snijder tot stilstand is gekomen voordat u het gereedschap neerlegt. Een blootgestelde

roterende snijder kan het oppervlak raken, wat kan leiden tot mogelijk verlies van controle

en ernstig letsel. ÿ Gebruik

klemmen of een andere praktische manier om de

werkstuk op een stabiel platform. Het werkstuk met de hand of tegen de

lichaam maakt het onstabiel en kan leiden tot verlies van controle. ÿ Houd het

elektrische gereedschap alleen vast bij de geïsoleerde handgrepen.

- ÿ Ken uw elektrisch gereedschap. Lees de handleiding zorgvuldig. Leer de toepassingen en beperkingen, evenals de specifieke potentiële gevaren gerelateerd aan dit elektrisch gereedschap. Door deze regel te volgen, verkleint u het risico op elektrische schokken, brand of ernstig letsel.
  - ÿ Draag altijd oogbescherming met zijschermen die zijn gemarkeerd om te voldoen aan ANSI Z87.1. Door deze regel te volgen, wordt het risico op ernstige persoonlijke verwondingen verminderd. blessure.
  - ÿ Bescherm uw longen. Draag een gezichts- of stofmasker als de operatie stoffig is. Door deze regel te volgen, verkleint u het risico op ernstig persoonlijk letsel. ÿ Bescherm uw gehoor. Draag gehoorbescherming tijdens langere perioden van operatie. Door deze regel te volgen, verkleint u het risico op ernstige persoonlijke blessure.
  - ÿ Accugereedschappen hoeven niet op een stopcontact te worden aangesloten; daarom ze zijn altijd in werkende staat. Wees u bewust van mogelijke gevaren wanneer u uw accugereedschap niet gebruikt of wanneer u accessoires verwisselt. Door deze regel te volgen, verkleint u het risico op een elektrische schok, brand of ernstig letsel. persoonlijk letsel. ÿ
- Plaats accugereedschappen of hun accu's niet in de buurt van vuur of hitte. Dit zal verminder het risico op explosie en mogelijk letsel. ÿ Verpletter, laat of beschadig de batterij niet. Gebruik geen batterij of oplader die is gevallen of een harde klap heeft gekregen. Een beschadigde batterij is onderhevig aan explosie. Gooi een gevallen of beschadigde batterij onmiddellijk. ÿ
- Batterijen kunnen ontploffen in de aanwezigheid van een ontstekingsbron, zoals een waakvlam. Om het risico op ernstig persoonlijk letsel te verminderen, mag u nooit een snoerloos product in de aanwezigheid van open vuur. Een ontplofte batterij kan drijf vuil en chemicaliën op. Spoel bij blootstelling onmiddellijk met water. ÿ Laad het accugereedschap niet op in een vochtige of natte omgeving. Gebruik, bewaar of laad accupakketten of producten op in locaties waar de temperatuur laag is minder dan 50° Voor meer dan 100°F. Niet buiten of in voertuigen bewaren.
- ÿ Bij extreem gebruik of extreme temperaturomstandigheden kan er batterijlekkage optreden. optreden. Als vloeistof in contact komt met uw huid, was deze dan onmiddellijk met zeep en water. Als er vloeistof in uw ogen komt, spoel ze dan met schoon water gedurende ten minste 10 minuten, en zoek dan onmiddellijk medische hulp.



Deze regel verkleint het risico op ernstig persoonlijk letsel.

• Bewaar deze instructies. Raadpleeg ze regelmatig en gebruik ze om

instrueer anderen die deze tool kunnen gebruiken. Als u iemand deze tool leent, leen hen ook deze instructies.








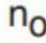
## SYMBOLLEN

De volgende signaalwoorden en betekenissen zijn bedoeld om de niveaus uit te leggen van het risico dat aan dit product verbonden is.

SYSTEEM SIGNAAL		BETEKENIS
	GEVAAR	Geeft een gevaarlijke situatie aan die, indien niet vermeden, zal resulteren in de dood of ernstig letsel
	WAARSCHUWING	Geeft een gevaarlijke situatie aan die, indien niet vermeden, kan leiden tot de dood of ernstig letsel
	VOORZICHTIGHEID	Geeft een gevaarlijke situatie aan die, indien niet vermeden, kan leiden tot de dood of ernstig letsel
	KENNISGEVING:	(Zonder veiligheidswaarschuwingssymbool) Geeft informatie aan als belangrijk beschouwd, maar niet gerelateerd aan een potentiële letsel (bijvoorbeeld berichten met betrekking tot materiële schade).

Sommige van de volgende symbolen kunnen op dit product worden gebruikt. Bestudeer ze alstublieft en hun betekenis leren. Een juiste interpretatie van deze symbolen zal u in staat stellen om het product beter en veiliger te laten werken.

SYMBOOL	SIGNAAL	BETEKENIS
	Veiligheidswaarschuwing	Geeft aan dat er een potentieel gevaar voor persoonlijk letsel bestaat
	Lees de operator's Handmatig	Om het risico op letsel te verminderen, moet de gebruiker de volgende instructies lezen en Begrijp de gebruiksaanwijzing voordat u het apparaat gebruikt dit product.
	Oogbescherming	Draag altijd oogbescherming met zischermen gemarkeerd om te voldoen aan ANSI Z87.1

	Gehoorbescherming	Draag altijd gehoorbeschermers bij gebruik van dit apparaat. product.
	Draag stof maskers	Draag altijd een stofmasker wanneer u dit gebruikt product.
	Natte omstandigheden <small>Waarschuwing</small>	Niet blootstellen aan regen en niet gebruiken op vochtige plaatsen
	Geen handen Symbool	Als u uw handen niet uit de buurt van de mes kan ernstig persoonlijk letsel tot gevolg hebben.
	Recycle symbool	Dit product maakt gebruik van lithium-ionbatterijen (Li-ion). Lokale, provinciale of federale wetten kunnen dit verbieden verwijdering van batterijen bij het gewone afval. Raadpleeg Neem voor informatie contact op met uw plaatselijke afvalautoriteit betreffende beschikbare recycling en/of verwijdering opties.
	Correcte verwijdering	Dit product is onderworpen aan de bepalingen van Europese richtlijn 2012/19/EG. Het symbool met een doorkruiste kliko-container geeft aan dat het product aparte afvalinzameling in de Europese Unie. Dit geldt voor het product en alle accessoires gemarkeerd met dit symbool. Producten gemarkeerd als dergelijke mogen niet met het normale afval worden weggegooid huishoudelijk afval, maar moet naar een inzamelpunt voor het recyclen van elektrische en elektronische apparaten
	FCC-verklaring	Dit apparaat voldoet aan Deel 15 van de FCC Regels. De werking is onderworpen aan de volgende twee voorwaarden: (1) Dit apparaat mag geen schadelijke interferentie, en (2) dit apparaat moet accepteer elke ontvangen interferentie, inclusief interferentie die ongewenste operatie.
V	Volt	Spanning
Hertz	Hertz	Frequentie (cycli per seconde)
mijn	Notulen	Tijd
	Toerental zonder belasting	Rotatiesnelheid, bij geen belasting
.../min	Per minuut	Omwentelingen, slagen, oppervlaktesnelheid, banen enz., per minuut.

## FUNCTIES

### PRODUCTSPECIFICATIES

Model	DB18V-821
Nominale spanning	18V
Snelheid zonder belasting	16000/min
Maximale schaafbreedte	82 miljoen
Maximale schaafdiepte	2 miljoen
Maximale sponningdiepte	8 mm
Motortype	Borstelloos
Netto gewicht	2,5 KG

## MONTAGE



### WAARSCHUWING:

Gebruik dit product niet als het niet volledig is gemonteerd of als er onderdelen ontbreken. Lijken te ontbreken of beschadigd te zijn. Gebruik van een product dat niet goed is en volledig gemonteerd of met beschadigde of ontbrekende onderdelen kan resulteren in ernstig persoonlijk letsel.



### WAARSCHUWING:

Probeer dit product niet te wijzigen of accessoires of bevestigingen te maken niet aanbevolen voor gebruik met dit product. Een dergelijke wijziging of modificatie wordt verkeerd gebruikt en kan leiden tot een gevaarlijke situatie die kan leiden tot tot mogelijk ernstig persoonlijk letsel.

## WERKING



### **WAARSCHUWING:**

Laat vertrouwdheid met gereedschap u niet onvoorzichtig maken. Onthoud dat een Een fractie van een seconde is voldoende om ernstig letsel toe te brengen.



### **WAARSCHUWING:**

Verwijder altijd de accu uit het gereedschap wanneer u onderdelen monteert, aanpassingen maakt, schoonmaakt of wanneer u het gereedschap niet gebruikt. Accu verwijderen voorkomt onbedoeld starten, wat ernstig persoonlijk letsel tot gevolg kan hebben.



### **WAARSCHUWING:**

Draag altijd oogbescherming met zijkanten die zijn gemarkeerd om te voldoen aan ANSI Z87.1. Als u dit niet doet, kan het zijn dat er voorwerpen in uw ogen worden gegooid. met mogelijk ernstig letsel tot gevolg.



### **WAARSCHUWING:**

Gebruik geen hulpstukken of accessoires die niet door de fabrikant zijn aanbevolen. fabrikant van dit product. Het gebruik van hulpstukken of accessoires die niet aanbevolen, kan leiden tot ernstig persoonlijk letsel.

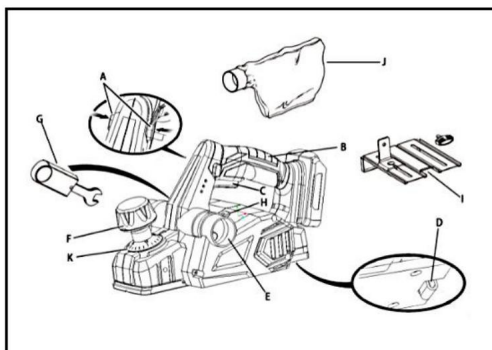


### **Aandacht:**

Als u te snel of te diep plant, zal dit leiden tot overbelasting van de apparatuur bescherming en verkort de levensduur van de batterij. Controleer de planningsnelheid en diepte redelijk.

## TOEPASSINGEN

U kunt dit gereedschap gebruiken voor de hieronder vermelde doeleinden: ÿ Het schaven van de rand van een houten deur of plank ÿ Het schaven van de rand van een stuk hout ÿ Het maken van sponningsneden in hout ÿ Het afschuinen van scherpe randen van hout

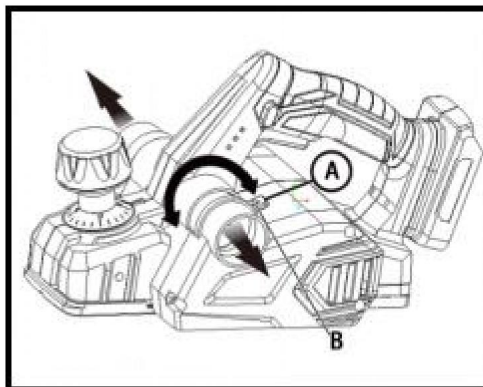


## DE UITLAATRICHTING AANPASSEN



**WAARSCHUWING:**

Verzameld stof van schaafooppervlaktecoatings zoals polyurethanen, lijnolie, enz., kan in de stofzak van de schaafmachine of elders ontbranden en brand veroorzaken. Om het risico op brand te verkleinen, moet u de stofzak tijdens het schaven altijd regelmatig legen. Berg een schaafmachine NOOIT op of laat deze NOOIT achter zonder de stofzak te legen. Volg ook de aanbevelingen van de fabrikanten van de coatings.



Verander de uitlaatricting naar rechts of links om de ricting van het puin bij het werken in krappe ruimtes.

### **Om de uitlaatricting en de stofzak aan te passen:**

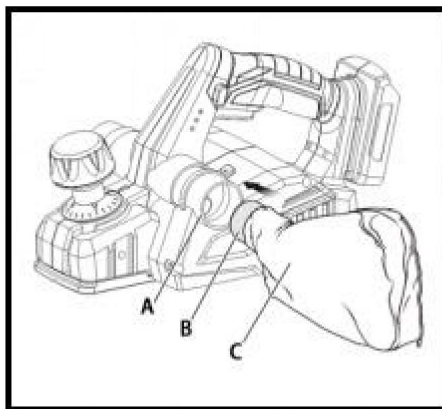
• Verwijder de accu. • Om de uitlaat

naar rechts af te stellen: Beweeg de hendel voor de uitlaatricting zodat de pijl wijst naar rechts (de hendel wijst naar links). Plaats de stofzak op de rechter uitlaatpoort. •

Om de uitlaat naar links te verstellen: Beweeg de uitlaatrictinghendel zodat de pijl wijst naar links (de hendel wijst naar rechts). Installeer de stofzak op de linker uitlaatpoort.

**OPMERKING:** Controleer of de stofzak is aangesloten op dezelfde poort die u hebt geselecteerd. de uitlaatrictinghendel.

### **DE STOFZAK BEVESTIGEN**



• Verwijder de accu. • Schuif de kraag van de stofzak op de uitlaatpoort.

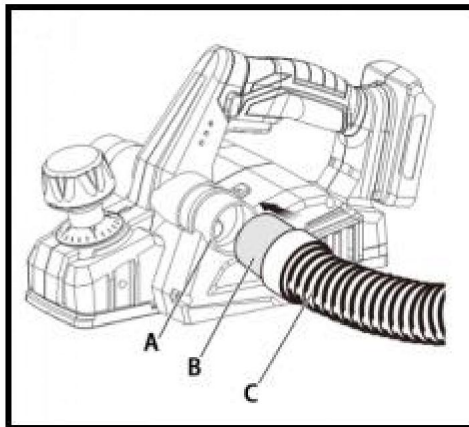
**OPMERKING:** Om de stofzak te verwijderen, trekt u deze recht uit de uitlaatpoort.



**KENNISGEVING:**

De stofzak raakt snel vol. Leeg hem vaak om schade aan het product te voorkomen.

## DE SCHAAFMACHINE AAN EEN STOFZUIGER BEVESTIGEN



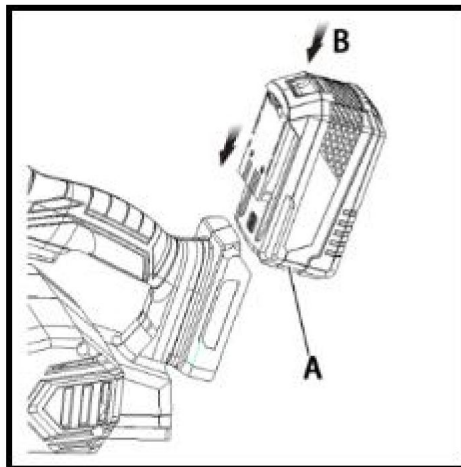
Het spaanopvangsysteem van de schaafmachine heeft een 1-1/4 inch-poort voor het inbrengen van een vacuümslang.

• Verwijder de accu. Verwijder de stofzak. • Sluit een stofzuigerslang aan op de linker- of rechteruitlaat voor de spaanders. • Stel de hendel voor de uitlaatrichting in op de geselecteerde uitlaatpoort. • Sluit de stofzuiger aan op een voeding. • Schakel de stofzuiger in voordat u met zagen begint.

 **WAARSCHUWING:**

Wanneer het gereedschap niet op de stofzuiger is aangesloten, moet u altijd de stofzak opnieuw plaatsen terug op het gereedschap. Als u dit niet doet, kan er stof of vreemde voorwerpen in terechtkomen in uw gezicht of ogen worden gegooid, wat kan leiden tot mogelijke ernstige verwondingen blessure.

## INSTALLEREN/VERWIJDEREN VAN DE BATTERIJ



ÿ Vergrendel de trekkerschakelaar.

ÿ Plaats de accu in het product zoals afgebeeld. ÿ Zorg ervoor dat de vergrendelingen aan beide zijden van de accu op hun plaats klikken.

en de batterij is vastgezet in het product voordat u begint  
bediening. ÿ

Druk de vergrendelingen in om de accu te verwijderen. ÿ Voor  
volledige oplaadinstructies, zie de handleidingen van de gebruiker  
uw accu en oplader.

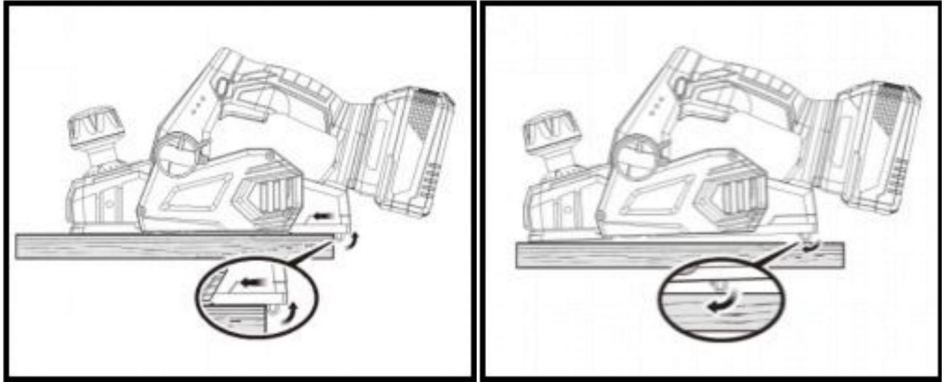
## STARTEN/STOPPEN VAN DE SCHAAFMACHINE

ÿ Om de schaafmachine te starten: druk op de vergrendelingsknop aan beide kanten en druk vervolgens op de vergrendelingsknop.

Druk op de trekkerschakelaar.

ÿ Om de schaafmachine te stoppen: Laat de trekkerschakelaar los.

## KICKSTAND



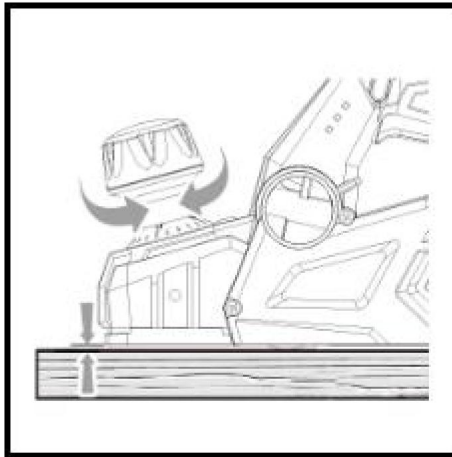
De schaafmachine is uitgerust met een automatisch draaiende standaard die voorkomt dat de messen de werkbank raken wanneer deze niet in gebruik is. Wanneer u begint met de schaafbewerking, wordt de standaard automatisch teruggetrokken wanneer deze over de rand van het werkstuk gaat. Wanneer u de schaafmachine op de werkbank neerzet, wordt de standaard automatisch omlaag gedraaid om te voorkomen dat het mes contact maakt.



**WAARSCHUWING:**

Zorg ervoor dat de standaard altijd soepel beweegt en dat de omgeving van de standaard vrij is van vuil. Als u dit niet doet, kan dit leiden tot ernstig persoonlijk letsel.

## SCHAAFDIEPTE



Wanneer u begint met het schaven van een ruw stuk materiaal, zal de schaafmachine alleen verwijderd eerst de hoge plekken. Opeenvolgende passes zullen meer en meer materiaal. Door niet meer dan 1/64 inch te verwijderen bij elke doorgang, zult u om zelfs het ruwste werkstuk van een zo glad mogelijke afwerking te voorzien. Begin altijd met het maken van testsnedes in afvalhout om er zeker van te zijn dat de schaafmachine verwijdert de gewenste hoeveelheid hout.

### De planningsdiepte instellen:

ÿ Verwijder de accu. ÿ Draai de diepte-instelknop met de klok mee om de gewenste diepte in te stellen. snede. De maximale snijdiepte is 1/16 inch.

**OPMERKING:** Gebruik alleen diepte-instellingen met een aanslag. Probeer sneden te maken met de diepte van snij-instellingen tussen de vergrendelposities kunnen resulteren in ongelijke sneden.

**OPMERKING:** Om de messen te beschermen tijdens opslag, transport, enz., draait u de diepte-instelknop tegen de klok in bovenaan op de snijdiepteschaal om parkeer het mes.



Klem het werkstuk altijd stevig vast voordat u een snede maakt. Werk verplaatsen tijdens een snede kan leiden tot verlies van controle over de schaafmachine en ernstige verwondingen veroorzaken

letsel.

ÿ Klem het werk goed vast. ÿ Zorg

ervoor dat het te plannen materiaal vrij is van spijkers, nietjes of schroeven. ÿ Ondersteun het werk zodat de bewerking aan uw kant plaatsvindt.

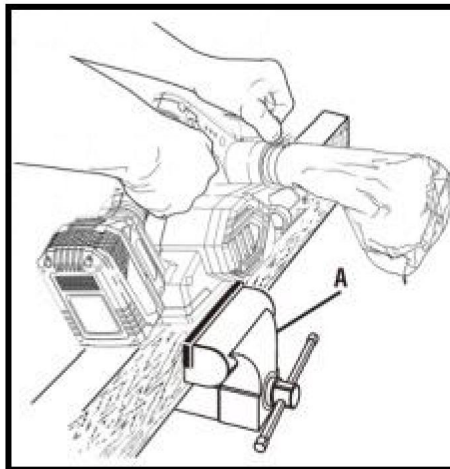
**KENNISGEVING:**

Te snel schaven resulteert in een slechte afwerking en verhoogt de spaanopbouw in de chip uitlaat. Chip opbouw beperkt de luchtstroom en kan motor oververhitting.

**WAARSCHUWING:**

Probeer niet een geblokkeerde spaanuitlaat te ontstoppen voordat de messen stoppen en u het product van de stroombron hebt losgekoppeld. Het niet in acht nemen Deze waarschuwing kan leiden tot ernstig persoonlijk letsel.

**SCHAAIEN**



ÿ Klem het werkstuk stevig vast

ÿ Pas de schaafdiepte aan. Raadpleeg Schaafdiepte eerder in deze handleiding. ÿ Houd de diepte-instelknop met één hand vast en de handgreep met uw andere kant.



**WAARSCHUWING:**

Gebruik bij elke handeling altijd twee handen aan het gereedschap; dit zorgt ervoor dat u behoud de controle en vermijd het risico op ernstig persoonlijk letsel. Altijd correct Ondersteun en klem het werk zodat beide handen vrij zijn om de plannen.

Gebruik het gereedschap nooit boven uw hoofd of ondersteboven vanaf de juiste bedieningspositie. positie; ernstig persoonlijk letsel kan het gevolg zijn.

ÿ Plaats de voorste schoen op de rand van het te plannen werk.

OPMERKING: Zorg ervoor dat de bladen het werkstuk niet raken. ÿ Oefen druk uit op de diepte-instelknop zodat de voorste schoen helemaal plat op het werk. Start de schaafmachine en laat de motor maximale snelheid. ÿ

Houd de schaaf stevig vast en duw hem met een langzame, constante beweging naar voren in het werk. Schaaf langzaam en leeg de stofzak vaak. ÿ Oefen neerwaartse druk uit op de achterste handgreep terwijl u elk van de einde van de geplande snede. Dit helpt om het achterste gedeelte van de schaafmachine basis in contact met het werk en voorkomt dat de voorkant van de schaafmachine de snede uitsnijden.



**WAARSCHUWING:**

Wees voorzichtig dat u tijdens de planningsbewerking geen spijkers of nietjes raakt; dit

Deze handeling kan de messen beschadigen, scheuren of inkepingen veroorzaken.

LET OP: Wij raden u aan om altijd een extra set mesjes bij de hand te hebben.

Zodra de messen in de schaaf tekenen van bothed vertonen, vervangt u deze.

hen. De messen zijn omkeerbaar en kunnen worden omgekeerd totdat beide kanten saai worden.

## **AFKANTEN**

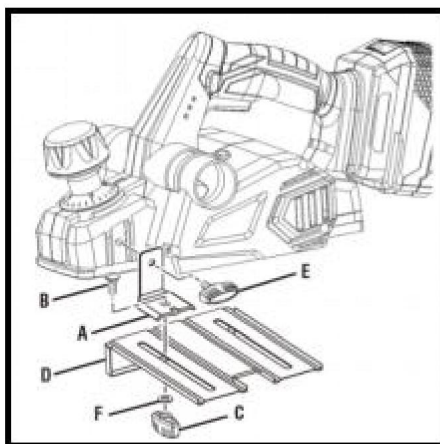
De schaafmachine is ontworpen met een afschuiningsgroef in de voorste schoen om hoeken van planken afschuiven zoals afgebeeld. Voordat u een snede maakt in goed hout,

- oefen het zagen op afvalhout om te bepalen hoeveel er moet worden verwijderd. ÿ Klem het werkstuk stevig vast. ÿ Houd de diepte-instelknop met één hand vast en de handgreep met uw andere kant.
- ÿ Plaats de afschuingroef op het te bewerken oppervlak. ÿ Start de schaafmachine en laat de motor op maximale snelheid draaien. ÿ Houd de schaafmachine stevig vast en duw deze met een langzame, gelijkmatige beweging naar voren in het werkstuk.
- ÿ Oefen neerwaartse druk uit om de schaafmachine aan het begin plat te houden en de einde van het werkkoppervlak.

### SCHAAIEN VAN RANDEN EN MAKEN VAN SPOREN

De schaafmachine wordt geleverd met een verstelbare randgeleider voor nauwkeurig kanten schaven en sponning snijden. Bevestig de randgeleider aan beide zijden van de schaafmachine voor schaafranden en bevestig de randgeleider aan de linkerkant om sponningsneden.

### BEVESTIGEN VAN DE KANTGELEIDER VOOR SCHAAF RANDEN



Verwijder de accu. ÿ Bevestig de beugel aan de gewenste zijde van de schaafmachine en draai de knop vast goed vastschroeven.

ÿ Bevestig de randgeleider aan de beugel met behulp van de knopmoer en de wagen kopbout.

ÿ Draai de knopmoer stevig vast.

## **SCHAAFBRANDEN**

Volg de instructies in het gedeelte Planning eerder in deze handleiding. Houd de Plaats de randgeleider stevig tegen de rand van het werkoppervlak.

## **BEVESTIGEN VAN DE RANDGELEIDER VOOR HET MAKEN**

### **SPOREN SNIJDEN**

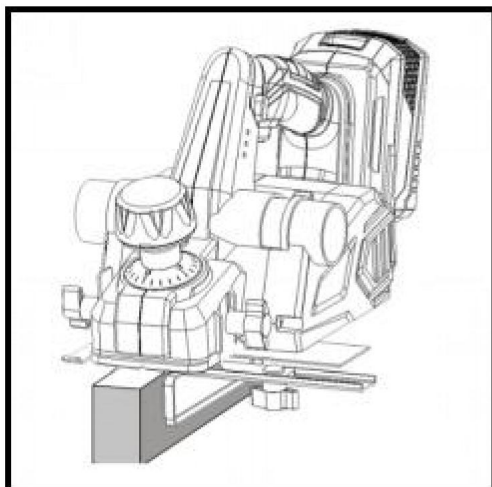
ÿ Verwijder de accu. ÿ Bevestig

de beugel aan de linkerkant van de schaafmachine en draai de knopbout vast veilig.

ÿ Bevestig de randgeleider losjes aan de beugel met behulp van de knopmoer en de Wagenkopbout (niet vastdraaien).

ÿ Stel de randgeleider in op de gewenste breedte voor de sponningsnede. ÿ Draai de knopmoer stevig vast.

### **HET MAKEN VAN RABBET-SNIJDEN**



Volg de instructies in het gedeelte Planning eerder in deze handleiding. Rust de

Plaats de randgeleider stevig tegen de rand van het werkoppervlak.

De diepte van de sponning wordt bepaald door de diepte van de snede en de

aantal keren dat het apparaat over het werkoppervlak heen is gegaan.

De maximale diepte van de rabbetsnede is 1/2 inch en moet in 1/16 inch of minder passages worden gesneden om

de gewenste diepte te bereiken. De breedte van de rabbetsnede is

verstelbaar door het verplaatsen van de randgeleider.



**WAARSCHUWING:**

Gebruik bij het onderhoud uitsluitend identieke vervangingsonderdelen. Gebruik geen andere onderdelen

onderdelen kunnen een gevaar opleveren of schade aan het product veroorzaken.



**WAARSCHUWING:**

Draag altijd oogbescherming met zijschermen die zijn gemarkeerd om te voldoen aan ANSI

Z87.1. Als u dit niet doet, kan het zijn dat er voorwerpen in uw ogen worden gegooid.

met mogelijk ernstig letsel tot gevolg.

## **ALGEMEEN ONDERHOUD**

Vermijd het gebruik van oplosmiddelen bij het reinigen van kunststof onderdelen. De meeste kunststoffen zijn

vatbaar voor schade door verschillende soorten commerciële oplosmiddelen en kunnen

beschadigd raken door hun gebruik. Gebruik schone doeken om vuil, stof, olie, vet, etc. te verwijderen.



**WAARSCHUWING:**

Laat remvloeistoffen, benzine, op aardolie gebaseerde producten, kruipoliën, etc. nooit in contact komen met

kunststof onderdelen. Chemicaliën kunnen

plastic beschadigen, verzwakken of vernietigen, wat kan leiden tot ernstige persoonlijke schade

blessure.

Elektrisch gereedschap dat wordt gebruikt op glasvezelmateriaal, gipsplaten, vulmiddelen of pleisterwerk, is onderhevig

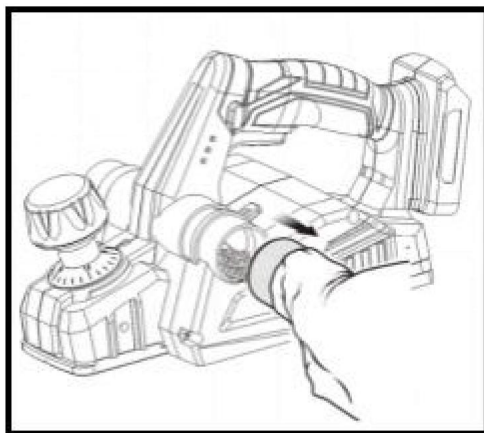
aan versnelde slijtage en mogelijk voortijdig falen.

omdat de glasvezelspanen en -slijpsels zeer schurend zijn voor lagers, borstels, commutatoren, enz. Daarom raden wij het gebruik ervan af dit gereedschap voor uitgebreid werk aan dit soort materialen. Als u echter Als u met een van deze materialen werkt, is het uiterst belangrijk om het gereedschap schoon te maken met behulp van perslucht.

## SMERING

Alle lagers in dit gereedschap zijn gesmeerd met een voldoende hoeveelheid hoogwaardig smeermiddel van goede kwaliteit voor de gehele levensduur van het apparaat onder normale bedrijfsomstandigheden. Er is dus geen verdere smering nodig.

## HET SCHOONMAKEN VAN DE UITLAATPOORT EN HET LEGEN VAN DE STOFZAK



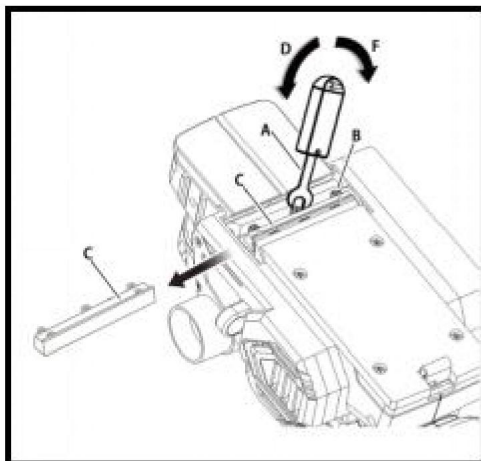
Na langdurig gebruik van de schaafmachine of bij het schaven van nat of groen hout, kunnen er snippers in de uitlaatpoort ophopen en is er een nieuwe nodig schoonmaken. Chipopbouw beperkt de luchtstroom en zorgt ervoor dat de motor oververhit raken. Reinig de uitlaatpoort en leeg de stofzak regelmatig. • Verwijder het accupakket. • Verwijder de stofzak uit de uitlaatpoort. • Reinig de spaanders of stofophopingen uit de uitlaatpoort van de schaafmachine met

een klein stukje hout. Gebruik hiervoor niet uw handen of vingers. • Leeg alle vuil uit de stofzak en zorg ervoor dat de kraag vrij is van

brokstukken

• Vervang de stofzak.

## MESSEN VERVANGEN



De schaaftbladen zijn omkeerbaar. Wanneer een rand bot wordt, wordt het blad kan worden omgedraaid, zodat de andere kant kan worden gebruikt.

Vervang of draai messen altijd om in paren. Probeer niet om ze te slijpen messen. Als de messen in de schaaft tekenen vertonen van bot worden, afgebrokkeld zijn of

Als de onderdelen op enigerlei wijze beschadigd zijn, vervang ze dan.

Gebruik bij het vervangen van de messen uitsluitend het aanbevolen vervangingsmes,



### WAARSCHUWING:

Draag altijd dikke leren handschoenen en wees voorzichtig bij het losdraaien van het mes schroeven en hanteren en/of wisselen van messen. Messen zijn scherp en kunnen ernstig persoonlijk letsel veroorzaken. ÿ

Verwijder de accu. ÿ Zet de schaaftmachine ondersteboven vast. ÿ Draai de drie schroeven los waarmee het mes aan de meshouder is bevestigd door

tegen de klok in draaien met de meegeleverde sleutel.

**OPMERKING:** Draai de schroeven niet te los. Als de schroeven te los zitten, moet u de uitlijning aanpassen. van het nieuwe mes niet nauwkeurig zal zijn.

**OPMERKING:** Let op de snijrichting voordat u de oude messen verwijdert en hoe de taps toelopende rand van de oude messen is georiënteerd. De taps toelopende De rand van de nieuwe messen moet in dezelfde richting staan als de originele messen, met de taps toelopende rand aan dezelfde kant als de schroefkoppen en de vlakke rand naar het snijblok gericht. ÿ Druk de veerbelaste mesbescherming in. ÿ Duw de meshouder uit de snijblokconstructie met behulp van de punt van een schroevendraaier.

ÿ Verwijder het oude mes uit de meshouder door het mes eruit te schuiven met de punt van een schroevendraaier.

**OPMERKING:** Als het mes niet gemakkelijk uit de meshouder kan worden geduwd nadat u het hebt losgemaakt, Bevestigingsschroeven van het blad, gebruik een blok hout om het blad los te breken de meshouder met een korte, scherpe slag. Duw vervolgens het mes met een schroevendraaier om het te verwijderen. Tik indien nodig stevig op het blok hout met een kleine hamer om het lemmet los te breken.

ÿ Verwijder zaagsel en houtsnippers rondom het zaagblad. ÿ Schuif het nieuwe zaagblad in de sleuf van de zaagbladhouders.

ÿ Gebruik een schroevendraaier om het mes in de meshouder te duwen totdat het vastzit. gecentreerd in positie.

ÿ Druk de veerbelaste mesbescherming in. ÿ Plaats de meshouder in het snijblok. ÿ Draai de drie bevestigingsschroeven van het mes weer vast met de messleutel. ÿ Herhaal de bovenstaande procedure om het andere mes te vervangen.

## **VERVANGEN VAN DE RIEM**

Wanneer u de riem vervangt, gebruik dan uitsluitend de aanbevolen vervangingsriem. ÿ Verwijder de accu. ÿ Verwijder de schroeven van de riemafdekking.

ÿ Verwijder de riemafdekking.

ÿ Verwijder de oude riem van de kleine poelie door deze in de aangegeven richting te draaien. Terwijl u de riem draait, trekt u eraan en werkt u deze van de kleine poelie af totdat deze is volledig verwijderd van beide katrollen.

ÿ Plaats de nieuwe riem over de kleine poelie en zorg ervoor dat de groeven uitgelijnd zijn. Terwijl u de riem draait, duwt en beweegt u deze op de grote katrol totdat deze in

plaats.

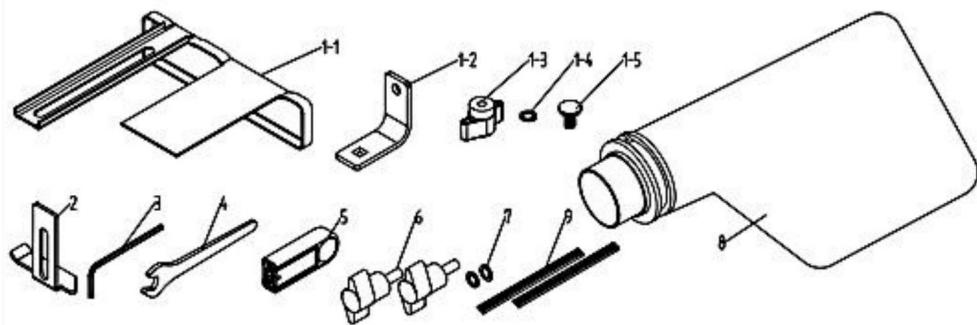
ÿ Plaats de riemafdekking terug. ÿ

Plaats de schroeven van de riemafdekking terug en draai ze stevig vast.

LET OP: Draai de schroeven niet te vast.

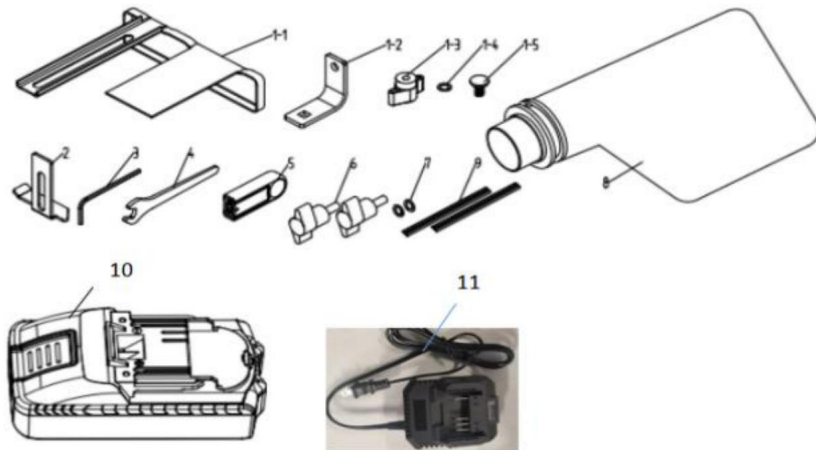
## ACCESSOIRES

### ACCESSOIRES--BORSTELLOZE SCHAAFMACHINE MET KLEURENBOX



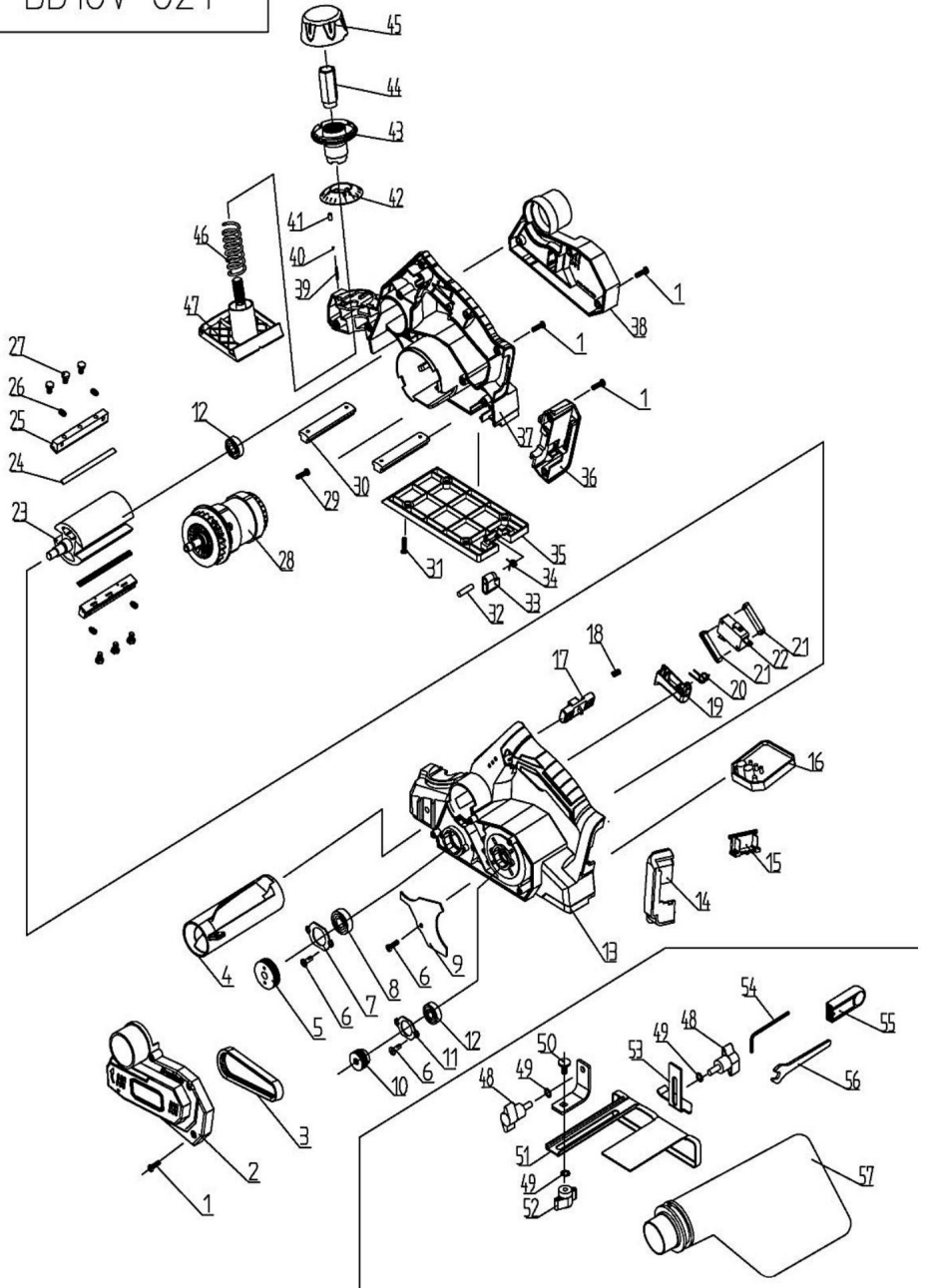
ONDERDEELNUMMER	OMSCHRIJVING	Hoeveelheid
1	Parallele gids	
1-1	Parallele gids	1 stuk
1-2	Parallele geleidebeugel	1 stuk
1-3	Vleugelmoer	1 stuk
1-4	Platte ring	1 stuk
1-5	Bouten met vierkante hals	1 stuk
2	Dieptegids	1 stuk
3	Binnenzeskantsleutel	1 stuk
4	Moersleutel	1 stuk
5	Sleuteldeksel	1 stuk
6	Vlinderschroef	2 STUKS
7	Platte ring	2 STUKS
8	Stofzak	1 stuk
9	Blad	1 SET

## ACCESSOIRES--BORSTELLOZE SCHAAFMACHINE MET BMC-BOX



ONDERDEELNUMMER	OMSCHRIJVING	Hoeveelheid
1	Parallele gids	
1-1	Parallele gids	1 stuk
1-2	Parallele geleidebeugel	1 stuk
1-3	Vleugelmoer	1 stuk
1-4	Platte ring	1 stuk
1-5	Bouten met vierkante hals	1 stuk
2	Dieptegids	1 stuk
3	Binnenzeskantsleutel	1 stuk
4	Moersleutel	1 stuk
5	Sleuteldeksel	1 stuk
6	Vlinderschroef	2 STUKS
7	Platte ring	2 STUKS
8	Stofzak	1 stuk
9	Blad	1 SET
10		1 stuk
11	Batterijwisselaar	1 stuk

DB18V-821



## DB18V-821B

DB18V-821B							
NEE.	BESCHRIJVING	Hoeveelheid		NEE.	BESCHRIJVING	Hoeveelheid	
1	TAPSCHROEF ST4*14	20	STUKS 30		ONDERSTEUNINGSBORD	2	STUKS
2	RIEMHOES	1	STUKS 31		TAPSCHROEF ST4*12	4	STUKS
3	RIEM	1	STUKS 32		CILINDRISCHE PIN 5*32	1	STUKS
4	STOFBUIS	1	STUKS 33		PARKEERRUIMTE	1	STUKS
5	V-POELIE (GROOT)	1	STUKS 34		TORSIEVEER	1	STUKS
6	TAPSCHROEF ST4X12	5	STUKS 35		BASEREN	1	STUKS
7	LAGERAFDEKSEL	1	STUKS 36		BATTERIJ PIN-AFDEKKING (2)	1	STUKS
8	KOGELLAGER 6000RS	1	STUKS 37		JUISTE HUISVESTING	1	STUKS
9	STOFAFSLUITING	1	STUKS 38		ACHTERKLEP	1	STUKS
10	V-POELIE (KLEIN)	1	STUKS 39		TORSIEVEER	1	STUKS
11	LAGERAFDEKSEL	1	STUKS 40		STALEN BAL 2.5	1	STUKS
12	KOGELLAGER 608RS	2	STUKS 41		KOGEL	1	STUKS
13	LINKERHUIS	1	STUKS 42		DIEPTESCHAAL	1	STUKS
14	BATTERIJ PIN-AFDEKKING(1)	1	STUKS 43		KNOP	1	STUKS
15	BATTERIJ PIN	1	STUKS 44		MOER AFSTELLEN	1	STUKS
16	PCB-BESTURINGSBORD	1	STUKS 45		KNOP DEKSEL	1	STUKS
17	VERGRENDDELKNOP	1	STUKS 46		AANPASSINGSVEER	1	STUKS
18	LENTE	1	STUKS 47		VOORSTE BASIS	1	STUKS
19	KNOP VAN SCHAKELAAR	1	STUKS 48		VLINDERSCHROEF	2	STUKS
20	TORSIEVEER	1	STUKS 49		VLAKKE RINGy6	3	STUKS
21	SCHAKEL BASIS	2	STUKS 50		VIERKANTE HALSSCHROEF M6X12	1	STUKS
22	SCHAKELAAR	1	STUKS 51		RANDGELEIDER	1	STUKS
23	ROL	1	STUKS 52		VLEUGELMOER	1	STUKS
24	BLAD	2	STUKS 53		DIEPTEGIDSEN	1	STUKS
25	MESHOUDER	2	STUKS 54		INTERNE INBUSSLEUTEL 1		STUKS
26	SCHROEF M5*10	4	STUKS 55		MOERSLEUTEL OPSLAG	1	STUKS
27	ZESKANTBOUT M5*8	6	STUKS 56		MOERSLEUTEL	1	STUKS
28	BORSTELLOZE MOTOR	1	STUKS 57		STOFZAK	1	STUKS
29	TAPSCHROEF ST4*10	2	STUKS				

**Fabrikant:** Shanghaimuxinmuyeyouxiangongsi

**Adres:** Shuangchenglu 803nong11hao1602A-1609shi, baoshanqu, shanghai  
200000 CN.

**Geïmporteerd naar AUS:** SIHAO PTY LTD, 1 ROKEVA STREETEASTWOOD NSW  
2122 Australië

**Geïmporteerd naar de VS:** Sanven Technology Ltd., Suite 250, 9166 Anaheim  
Place, Rancho Cucamonga, CA 91730



E-CrossStu GmbH  
Mainzer Landstr.69, 60329 Frankfurt am Main.



YH CONSULTING LIMITED.  
C/O YH Consulting Limited Kantoor 147, Centurion House,  
Londen Road, Staines-upon-Thames, Surrey, TW18 4AX

**VEVOR**<sup>®</sup>  
TOUGH TOOLS, HALF PRICE

Technische ondersteuning en e-  
garantiecertificaat [www.vevor.com/support](http://www.vevor.com/support)

# VEVOR<sup>®</sup>

## TOUGH TOOLS, HALF PRICE

Teknisk support och e-garanticertifikat [www.vevor.com/support](http://www.vevor.com/support)

## PLANER

MODELL:DB18V-821

Vi fortsätter att vara engagerade i att ge dig verktyg till konkurrenskraftiga priser.

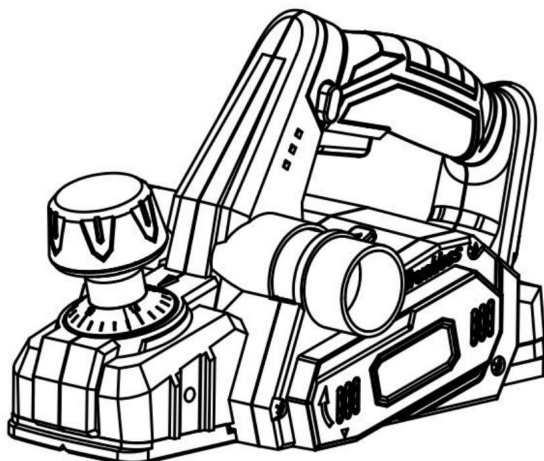
"Spara hälften", "halva priset" eller andra liknande uttryck som används av oss representerar bara en uppskattning av besparingar du kan dra nytta av att köpa vissa verktyg hos oss jämfört med de stora toppmärkena och betyder inte nödvändigtvis att täcka alla kategorier av verktyg som erbjuds av oss. Du påminns vänligen om att noggrant kontrollera när du gör en beställning hos oss om du faktiskt sparar hälften i jämförelse med de främsta stora varumärkena.


# VEVOR<sup>®</sup>

TOUGH TOOLS, HALF PRICE

PLANER

MODELL:DB18V-821



 **WARNING:** För att minska risken för skada måste användaren läsa och förstå bruksanvisningen innan du använder denna produkt.

## BEHÖVER HJÄLP? KONTAKTA OSS!

Har du produktfrågor? Behöver du teknisk support? Kontakta oss gärna:

**Teknisk support och e-garanticertifikat**  
**[www.vevor.com/support](http://www.vevor.com/support)**

Detta är den ursprungliga instruktionen, läs alla instruktioner noggrant innan du använder den. VEVOR reserverar sig för en tydlig tolkning av vår användarmanual. Utseendet på produkten är beroende av den produkt du fått. Ursäkta oss att vi inte kommer att informera dig igen om det finns någon teknik eller mjukvaruuppdateringar på vår produkt.

## INNEHÅLLSFÖRTECKNING

•Allmänna säkerhetsvarningar för elverktyg.....	03
•Säkerhetsvarningar för hyvel.....	06
•Symboler.....	08
•Funktioner.....	10
•Montering.....	10
•Drift .....	11
•Tillbehör.. ..	26

## ALLMÄNNA SÄKERHETSVARNINGAR FÖR ELVERKTYG



Läs alla säkerhetsvarningar och alla instruktioner. Underlåtenhet att följa varningarna och instruktioner kan leda till elektriska stötar, brand och/eller allvarliga skador.

### **Spara alla varningar och instruktioner för framtida referens.**

Termen "elverktyg" i varningarna syftar på ditt elnät (sladd) elverktyg eller batteridrivet (sladdlöst) elverktyg.

### **SÄKERHET FÖR ARBETSOMRÅDE**

• Håll arbetsområdet rent och väl upplyst. Röriga eller mörka områden inbjuder olyckor.

• Använd inte elverktyg i explosionsfarliga miljöer, som t.ex närvaro av brandfarliga vätskor, gaser eller damm. Elverktyg skapar gnistor som kan antända damm eller ångor.

• Håll barn och åskådare borta när du använder ett elverktyg. Distractioner kan få dig att tappa kontrollen.

### **ELEKTRISK SÄKERHET**

• Elverktygskontakter måste matcha uttaget. Modifiera aldrig kontakten på något sätt.

Använd inte några adapterkontakter med jordade (jordade) elverktyg.

Omodifierade kontakter och matchande uttag minskar risken för elektriska stötar. • Undvik kroppskontakt med jordade eller jordade ytor som rör, radiatorer, spisar och kylskåp. Det finns en ökad risk för elstöt om din kropp är jordad eller jordad.

• Utsätt inte elverktyg för regn eller våta förhållanden. Vatten som tränger in a elverktyg ökar risken för elektriska stötar. • Missbruk inte sladden. Använd aldrig sladden för att bära, dra eller koppla ur elverktyget. Håll sladden borta från värme, olja, vassa kanter eller rörliga delar. Skadade eller traslade sladdar ökar risken för elektrisk stöt.

• När du använder ett elverktyg utomhus, använd en lämplig förlängningsladd för utomhusbruk. Användning av en ladd som är lämplig för utomhusbruk minskar risken av elektrisk stöt. •

Om det är oundvikligt att använda ett elverktyg på en fuktig plats, använd jord felkrets brytare (GFCI) skyddad matning. Användning av en GFCI minskar risken för elektriska stötar.

• Använd endast denna produkt med batterier och laddare som anges i verktyg/apparat/ batteripaket/ laddare korrelationstillägg 987000-432.

## **PERSONLIG SÄKERHET**

• Var uppmärksam, titta på vad du gör och använd sunt förnuft när använda ett elverktyg. Använd inte ett elverktyg när du är trött eller påverkad av droger, alkohol eller mediciner. Ett ögonblick av ouppmärksamhet när du använder elverktyg kan leda till allvarliga personskador skada.

• Använd personlig skyddsutrustning. Använd alltid ögonskydd. Skyddsutrustning som dammask, halkfria skyddsskor, hjälm eller hörselskydd som används för lämpliga förhållanden kommer att minska personskador.

• Förhindra oavsiktlig start. Se till att strömbrytaren är i avstängt läge innan du ansluter till strömkälla och/eller batteripaket, plockar upp eller bära verktyget.

Bär elverktyg med fingret på strömbrytaren eller strömförande verktyg som har strömbrytaren på inbjuder till olyckor.

• Ta bort eventuella inställningsnyckel eller skiftnyckel innan du slår på elverktyget. A skiftnyckel eller en nyckel som lämnas fäst på en roterande del av elverktyget kan leda till personskada.

• Räck inte för mycket. Håll alltid rätt fotfäste och balans. Detta möjliggör bättre kontroll över elverktyget i oväntade situationer. • Klä dig ordentligt. Bär inte löst sittande kläder eller smycken. Behåll ditt hår, kläder och handskar borta från rörliga delar. Lösa kläder, smycken eller långt hår kan fastna i rörliga delar. • Om anordningar tillhandahålls för anslutning av dammsug och

insamlingsanläggningar, se till att dessa är anslutna och används på rätt sätt. Använda av dammuppsamling kan minska dammrelaterade faror.

ÿ Bär inte löst sittande kläder eller smycken. Innehåller långt hår. Lösa kläder, smycken eller långt hår kan dras in i luftventiler. ÿ Använd inte en stege eller instabilt stöd. Stabilt underlag på fast underlag möjliggör bättre kontroll över elverktyget i oväntade situationer.

## **ANVÄNDNING OCH SKÖTSEL AV ELVERKTYG**

ÿ Tvinga inte elverktyget. Använd rätt elverktyg för din ansökan. Rätt elverktyg kommer att göra jobbet bättre och säkrare röntan som den utformades för. ÿ

Använd inte elverktyget om strömbrytaren inte slås på och av. Några elverktyg som inte kan styras med strömbrytaren är farligt och måste repareras. ÿ

Koppla bort kontakten från strömkällan och/eller batteripaketet från elverktyget innan du gör några justeringar, byter tillbehör eller förvarar elverktyg. Sådana förebyggande säkerhetsåtgärder minskar risken att starta elverktyget av misstag.

ÿ Förvara inaktiva elverktyg utom räckhåll för barn och tillåt det inte personer som inte är bekanta med elverktyget eller dessa bruksanvisningar elverktyget. Elverktyg är farliga i händerna på utbildade användare.

ÿ Underhåll elverktyg. Kontrollera om rörliga delar är felinriktade eller fastnar, delar som går sönder och andra tillstånd som kan påverka strömmen verktygets funktion. Om det är skadat, låt det elverktyg repareras innan många olyckor orsakas av dåligt underhållna elverktyg. ÿ Håll skärverktyg vassa

och rena. Rätt underhållna skärverktyg

med vassa skäreppar är mindre benägna att binda och är lättare att kontrollera. ÿ Använd elverktyget, tillbehören, verktygsbits etc. i enlighet med dessa instruktioner, med hänsyn till arbetsförhållandena och arbetet med att utföras. Användning av elverktyget för andra operationer än dessa avsett kan resultera i en farlig situation.

## ANVÄNDNING OCH SKÖTSEL AV BATTERIVERKTYG

• Ladda endast med den laddare som specificerats av tillverkaren. En laddare som är lämplig för en typ av batteripaket kan skapa brandrisk när används med ett annat batteripaket. •

Använd endast elverktyg med specifikt avsedda batteripaket. Användning av alla andra batteripaket kan skapa risk för skador och brand.

• När batteriet inte används, håll det borta från andra metallföremål, som gem, mynt, nycklar, spikar, skruvar eller andra små metallföremål, som kan göra en anslutning från en terminal till en annan. Kortslutning av batteripolerna tillsammans kan orsaka brännskador eller brand. •

Under dåliga förhållanden kan vätska spruta ut från batteriet; undvika kontakta. Om kontakt inträffar av misstag, spola med vatten. Om vätska kommer i kontakt ögon, sök dessutom medicinsk hjälp. Vätska som sprutas ut från batteriet kan orsaka irritation eller brännskador.

## SERVICE

• Låt endast en kvalificerad reparatör serva ditt elverktyg identiska reservdelar. Detta kommer att säkerställa att säkerheten för makten verktyget bibehålls.

• Använd endast identiska reservdelar när du servar ett elverktyg. Följ instruktionerna i avsnittet Underhåll i denna handbok. Användning av otillåtna delar eller underlåtenhet att följa underhållsinstruktioner kan skapa risk för stötar eller skada.

## SÄKERHETSVARNINGAR FÖR HYVLER

• Vänta tills fräsen har stannat innan du lägger ner verktyget. En exponerad roterande kniv kan komma i ingrepp med ytan vilket kan leda till eventuell förlust av kontroll och allvarlig skada. •

Använd klämmor eller annat praktiskt sätt att fästa och stödja arbetsstycket till en stabil plattform. Hålla verket för hand eller mot kroppen lämnar det instabilt och kan leda till förlust av kontroll. • Håll endast elverktyget i de isolerade greppytorna.

- Lär känna ditt elverktyg. Läs bruksanvisningen noggrant. Lär dig det tillämpningar och begränsningar, såväl som de specifika potentiella farorna relaterat till detta elverktyg. Att följa denna regel minskar risken för elektriska stötar, brand eller allvarliga skador.
- Bär alltid ögonskydd med sidoskydd märkta att överensstämmer med ANSI Z87.1. Att följa denna regel kommer att minska risken för allvarliga personliga skada.
- Skydda dina lungor. Bär en ansikts- eller dammask om operationen är dammig. Att följa denna regel minskar risken för allvarliga personskador. • Skydda din hörsel. Använd hörselskydd under längre perioder av drift. Att följa denna regel kommer att minska risken för allvarliga personliga skada.
- Batteriverktyg behöver inte vara anslutna till ett eluttag; därför, de är alltid i driftskick. Var medveten om möjliga faror när du inte använder ditt batteriverktyg eller när du byter tillbehör. Att följa denna regel minskar risken för elektriska stötar, brand eller allvarliga personskada. •
- Placera inte batteriverktyg eller deras batterier nära eld eller värme. Detta kommer minska risken för explosion och eventuellt skada. • Får inte krossa, tappa eller skada batteriet. Använd inte ett batteripaket eller laddare som har tappats eller fått ett kraftigt slag. A skadad batteriet är utsatt för explosion. Kassera ett tappat resp skadat batteri omedelbart. •
- Batterier kan explodera i närvaro av en antändningskälla, t.ex pilotljus. För att minska risken för allvarliga personskador, använd aldrig någon sladdlös produkt i närvaro av öppen låga. En exploderad batteriburk driva skräp och kemikalier. Om den exponeras, spola omedelbart med vatten. •
- Ladda inte batteriverktyget på en fuktig eller våt plats. Använd inte, förvara eller ladda batteripaket eller produkter på platser där temperaturen är mindre än 50° För mer än 100°F. Förvara inte utomhus eller i fordon. •
- Under extrema användnings- eller temperaturförhållanden kan batteriläcka inträffa. Om vätska kommer i kontakt med din hud, tvätta omedelbart med tvål och vatten. Om vätska kommer in i dina ögon, skölj dem med rent vatten i minst 10 minuter, sök sedan omedelbar läkarvård. Följande




denna regel minskar risken för allvarliga personskador.

• Spara dessa instruktioner. Referera till dem ofta och använd dem för att




instruera andra som kan använda det här verktyget. Om du lånar någon detta verktyg, låna dem dessa instruktioner också.








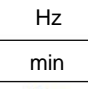
## SYMBOLER

Följande signalord och betydelser är avsedda att förklara nivåerna risk förknippad med denna produkt.

SYMBOLSIGNAL		MENANDE
	FARA	Indikerar en farlig situation, som om inte undviks, kommer att resultera i dödsfall eller allvarlig skada
	VARNING	Indikerar en farlig situation, som om inte undvikas, kan leda till dödsfall eller allvarliga skador
	FÖRSIKTIGHET	Indikerar en farlig situation, som om inte undvikas, kan leda till dödsfall eller allvarliga skador
	VARSEL:	(Utan säkerhetsvarningssymbol) Indikerar information anses viktigt, men inte relaterat till en potential skada (t.ex. meddelanden som rör egendomsskada).

Några av följande symboler kan användas på denna produkt. Vänligen studera dem och lära sig deras betydelse. Korrekt tolkning av dessa symboler gör att du kan använda produkten bättre och säkrare.

SYMBOL	SIGNAL	MENANDE
	Säkerhetslarm	Indikerar en potentiell risk för personskador
	Läs Operatörens Manuell	För att minska risken för skador måste användaren läsa och förstå bruksanvisningen innan användning denna produkt.
	Ögonskydd	Bär alltid ögonskydd med sidoskydd märkt för att överensstämna med ANSI Z87.1

	Hörselskydd	Bär alltid hörselskydd när du använder detta produkt.
	Bär damm masker	Bär alltid dammasker när du använder detta produkt.
	Våta förhållanden Varna	Utsätt inte för regn eller använd på fuktiga platser
	Inga händer Symbol	Underlåtenhet att hålla händerna borta från bladet kommer att resultera i allvarliga personskador.
	Återvinn symbol	Denna produkt använder litiumjonbatterier (Li-ion). Lokala, statliga eller federala lagar kan förbjuda kassering av batterier i vanliga soporna. Rådfråga din lokala avfallsmyndighet för information angående tillgänglig återvinning och/eller kassering alternativ.
	Korrekt avfallshantering	Denna produkt är föremål för tillhandahållande av Europeiska direktivet 2012/19/EG. Symbolen visar en soptunna korsad indikerar att produkten kräver separat sophämtning i Europeiska unionen. Detta gäller produkten och alla tillbehör märkt med denna symbol. Produkter märkta som sådan får inte kasseras med normal hushållsavfall, men måste tas till en samlingsställe för återvinning av el och elektroniska apparater
	FCC uttalande	Denna enhet överensstämmer med del 15 av FCC Regler. Driften är föremål för följande två villkor:(1)Denna enhet kanske inte orsakar skadlig störning, och (2)denna enhet måste acceptera alla mottagna störningar, inklusive störningar som kan orsaka oönskade drift.
V	Volt	Spänning
Hz	Hertz	Frekvens (cykler per sekund)
min	Minuter	Tid
	Ingen belastning Hastighet	Rotationshastighet, utan belastning
.../min	Varje minut	Varv, slag, ythastighet, banor etc. per minut.

## DRAG

### PRODUKTSPECIFIKATIONER

Modell	DB18V-821
Märkspänning	18V
Obelastad hastighet	16000/min
Max hyvlingsbredd	82 MM
Max hyvlingsdjup	2 MM
Max Rabbeting djup	8 MM
Motortyp	Borstlös
Nettovikt	2,5 KGS

## MONTERING

### **VARNING:**

Använd inte denna produkt om den inte är helt monterad eller om det finns några delar verkar saknas eller skadas. Användning av en produkt som inte är korrekt och helt monterad eller med skadade eller saknade delar kan leda till allvarlig personskada.

### **VARNING:**

Försök inte att modifiera denna produkt eller skapa tillbehör eller tillbehör rekommenderas inte för användning med denna produkt. Varje sådan ändring eller ändringen missbrukas och kan leda till ett farligt tillstånd till eventuell allvarlig personskada.

## DRIFT

### **VARNING:**

Låt inte bekantskap med verktyg göra dig slarvig. Kom ihåg att a vårdslös bråkdelen av en sekund är tillräckligt för att orsaka allvarlig skada.

### **VARNING:**

Ta alltid bort batteripaketet från verktyget när du monterar delar, gör justeringar, rengör eller när du inte använder det. Ta bort batteripaketet förhindrar oavsiktlig start som kan orsaka allvarliga personskador.

### **VARNING:**

Bär alltid ögonskydd med sidoskydd märkta för att överensstämna med ANSI Z87.1. Om du inte gör det kan det leda till att föremål kastas in i dina ögon vilket kan leda till allvarlig skada.

### **VARNING:**

Använd inga tillbehör eller tillbehör som inte rekommenderas av tillverkaren av denna produkt. Användningen av tillbehör eller tillbehör inte rekommenderas kan resultera i allvarliga personskador.

### **Uppmärksamhet:**

När du planerar för snabbt eller för djupt, kommer det att orsaka överbelastning av utrustningen skydd och förkortar batteritiden. Vänligen kontrollera planeringshastigheten och djup rimligen.

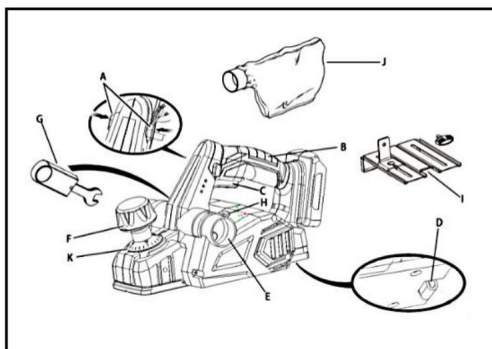
## ANSÖKNINGAR

Du kan använda det här verktyget för de syften som anges

nedan: ◊ Hyvla kanten på en trädörr eller hylla ◊ Hyvla

kanten på en timmerbit ◊ Göra kaninsnitt i trä ◊

Fasa skarpa kanter på virke

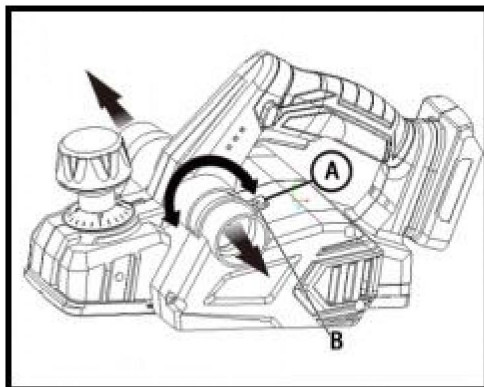


## JUSTERING AV AVGASRIKTNING



### ! VARNING:

Uppsamlat damm från hyvlande ytbeläggningar som polyuretaner, linolja etc. kan självantända i hyvelpåsen eller någon annanstans och orsaka brand. För att minska risken för brand, töm alltid dammpåsen ofta under planering. Förvara eller lämna ALDRIG en hyvel utan att ha tömt dammpåsen. Följ också rekommendationerna från beläggningstillverkarna.



Ändra avgasriktningen till antingen höger eller vänster för att styra skräpets riktning vid arbete i trånga utrymmen.

### **Så här justerar du avgasriktningen och dammpåsen:**

• Ta bort batteripaketet. • För att

justera avgaserna åt höger: Flytta avgasriktningsspaken så att

pilen pekar åt höger (handtaget pekar åt vänster). Installera dammpåsen på

höger avgasport. • För

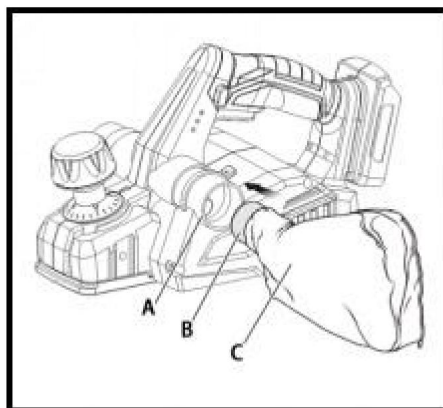
att justera avgaserna åt vänster: Flytta avgasriktningsspaken så att

pilen pekar åt vänster (handtaget pekar åt höger). Installera dammpåsen på

vänster avgasport.

OBS: Kontrollera att dammpåsen är ansluten till samma port som valts av avgasriktningsspaken.

### **ATT FÄSTA DAMMINGSPÅSEN**



• Ta bort batteripaketet. • Skjut kragen

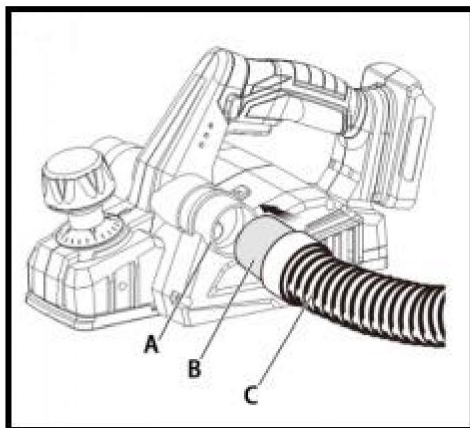
på dammpåsen på avgasporten.

OBS: För att ta bort dammpåsen, dra den rakt ut ur avgasporten.

 **VARSEL:**

Dammpåsen fylls snabbt. Töm den ofta för att förhindra skador på produkten.

## ATT FÄSTA HYVLEN PÅ EN VAKUUM



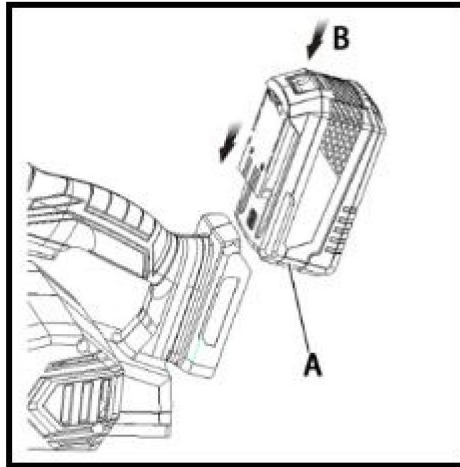
Hyvelns spånuppsamlingsystem har en 1-1/4 tum port för att sätta in en vakuumslang.

• Ta bort batteripaketet. Ta bort dammpåsen. • Fäst en vakuumslang till vänster eller höger spånavgas. • Ställ avgasriktningsspaken på den valda avgasporten. • Anslut dammsugaren till en strömkälla. • Slå på vakuum innan du börjar skära.

### **VARNING:**

När verktyget inte är anslutet till vakuum, sätt alltid tillbaka dammpåsen tillbaka till verktyget. Underlåtenhet att göra det kan orsaka damm eller främmande föremål kastas i ansiktet eller ögonen, vilket kan leda till allvarliga problem skada.

## INSTALLERA/TA UR BATTERIPAKET



ÿ Lås avtryckaren. ÿ Sätt i batteripaketet i produkten enligt bilden. ÿ Se till att spärrarna på varje sida av batteripaketet snäpper på plats och batteripaketet är säkrat i produkten innan du börjar drift. ÿ

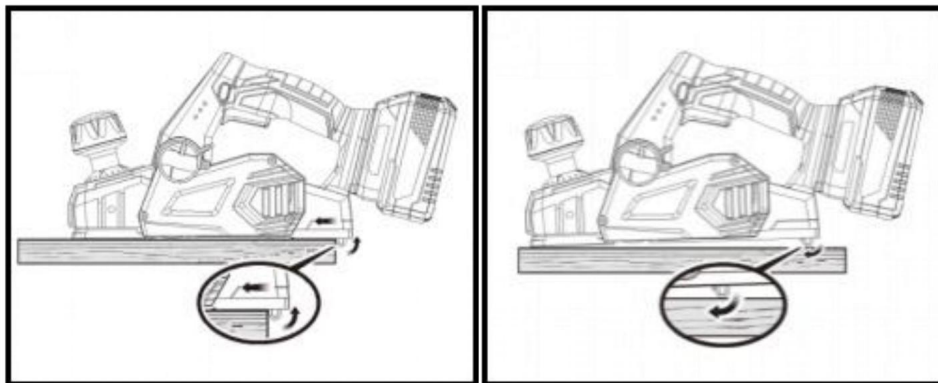
Tryck in spärrarna för att ta bort batteripaketet. ÿ För fullständiga laddningsinstruktioner, se bruksanvisningen för ditt batteripaket och laddare.

## STARTA/STOPPA HYVLEN

ÿ För att starta hyveln: Tryck på låsknappen från båda sidor och sedan tryck på avtryckaren.

ÿ För att stoppa hyveln: Släpp avtryckaren.

## STÖD

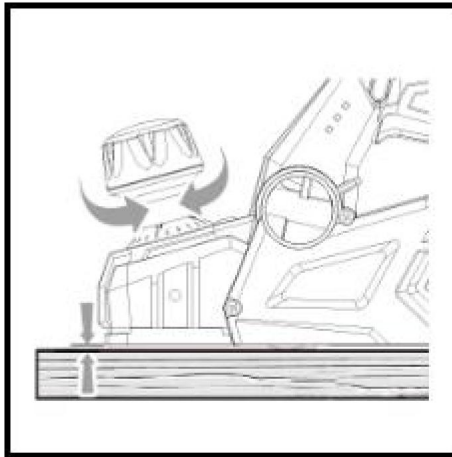


Hyveln har utrustats med ett automatiskt svängbart stöd som förhindrar att knivarna kommer i kontakt med arbetsbänken när de inte används. När du påbörjar planeringen dras stödet automatiskt tillbaka när det passerar över kanten på arbetsstycket. När hyveln ställs ner på arbetsbänken kommer stödet automatiskt att svängas ned för att förhindra att bladet kommer i kontakt.

### **VARNING:**

Se till att stödet fungerar fritt hela tiden och att området kring stödet är fritt från skräp. Underlåtenhet att göra det kan leda till allvarliga personskador.

## HYVNINGSDJUP



När du börjar planera ett grovt material kommer hyveln bara att göra det ta bort de höga fläckarna först. Successiva pass tar bort mer och mer material. Genom att inte ta bort mer än 1/64 tum med varje pass kommer du att göra det uppnå den jämnaste finishen, även från det grovaste arbetsstycket. Börja alltid med att göra provsnitt i träskrot för att säkerställa att hyveln tar bort önskad mängd trä.

### **Så här ställer du in planeringsdjupet:**

• Ta bort batteripaketet. • Vrid djupjusteringsratten medurs för att ställa in önskat djup skära. Det maximala skärdjupet är 1/16 tum.

**OBS:** Använd endast spärrade djupinställningar. Försöker skär med djupet av skärinställningar mellan spärrlägena kan resultera i ojämna skärningar.

**OBS:** För att skydda bladen under förvaring, transport, etc., vrid på djupjusteringsratt moturs topp på skärdjupet skala till parkera bladet.



Spänn alltid fast arbetsstycket ordentligt innan du gör ett snitt. Arbete flytta under ett snitt kan det resultera i att du förlorar kontrollen över hyveln och orsaka allvarliga

skada.

• Spänn fast verket ordentligt. •

Se till att materialet som ska planeras är fritt från spikar, häftklamrar eller skruvar. • Stöd arbetet så att operationen är på din sida.

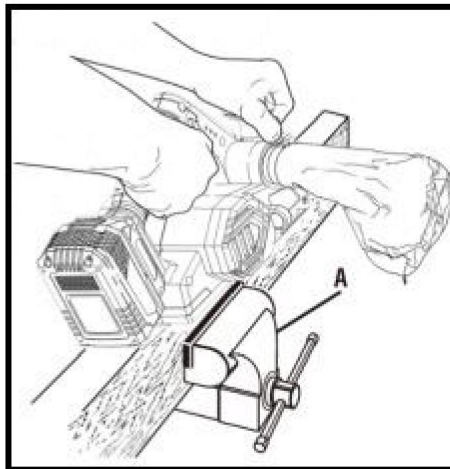
### **VARSEL:**

Att hyvla för snabbt resulterar i en dålig finish och ökar spånupbyggnaden i spånavgas. Spånansamling begränsar luftflödet och kan orsaka motor överhettning.

### **VARNING:**

Försök inte att rensa ett blockerat spånavgas förrän bladen stannar och du har kopplat bort produkten från strömkällan. Underlåtenhet att lyssna denna varning kan leda till allvarliga personskador.

### **HYVLING**



• Spänn fast verket ordentligt

• Justera hyvlingsdjupet. Se Hyvlingsdjup tidigare i denna handbok. • Håll i djupjusteringsvredet med en hand och handtaget med din andra handen.



## **VARNING:**

Använd alltid två händer på verktyget för alla operationer; detta garanterar att du upprätthålla kontrollen och undvika risk för allvarliga personskador. Alltid ordentligt stöjda och klämma fast verket så att båda händerna är fria att styra planer.

Använd aldrig verktyget ovanför eller upp och ned från korrekt drift placera; allvarliga personskador kan uppstå.

ÿ Placera den främre skon på kanten av det arbete som ska planeras.

OBS: Se till att bladen inte vidrör verket. ÿ Tryck på djupjusteringsratten så att den främre skon är helt platt på arbetet. Starta hyveln och låt motorn nå maximal hastighet.

ÿ Håll fast hyveln och tryck den framåt i arbetet med en långsam, stadig rörelse.

Hyvla långsamt och töm dammpåsen ofta. ÿ Applicera ett tryck nedåt mot det bakre handtaget allt eftersom slutet av den planerade nedskärningen. Detta hjälper till att behålla den bakre delen av hyveln basen i kontakt med arbetet och hindrar hyvelns framsida från mejsar snittet.



## **VARNING:**

Var noga med att undvika att träffa spikar eller häftklamrar under planeringen; detta åtgärder kan skära, spricka eller skada bladen.

OBS: Vi föreslår att du alltid har en extra uppsättning blad till hands.

Byt ut så fort bladen i hyveln visar tecken på att bli matta dem. Bladen är vänderbara och kan vändas till båda sidor bli matt.

## **CHAMFERING**

Hyveln är utformad med ett avfasningsspår i framskon till fasa av hörnen på skivorna enligt bilden. Innan du skär ett bra virke,

öva på att skära på skrot för att bestämma mängden som ska tas bort. • Spänn fast verket ordentligt. • Håll i

djupjusteringsvredet med en hand och handtaget med din andra handen.

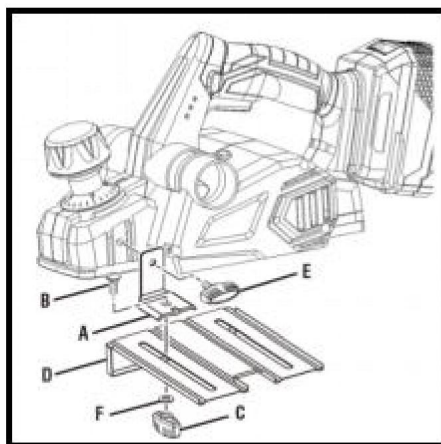
• Placera avfasningsspåret på ytan som ska skäras. • Starta hyveln och låt motorn nå maximal hastighet. • Håll hyveln stadigt och skjut den framåt i arbetet med en långsam, stadig rörelse.

• Tryck nedåt för att hålla hyveln platt i början och den änden av arbetsytan.

## ATT HYVLA KANTER OCH GÖRA KANINSKIPNINGAR

Hyveln levereras med en justerbar kantstyrning för precisionskanthvylning och kaninskarvning. Fäst kantstyrningen på vardera sidan av hyveln för hyvla kanter och fäst kantstyrningen på vänster sida för framställning kanin skärsår.

## ATT FÄSTA KANTGUIDE FÖR HÖVANDE KANTER



Ta bort batteripaketet. • Fäst fästet på önskad sida av hyveln och dra åt ratten bult säkert.

• Fäst kantstyrningen på fästet med hjälp av rattmuttern och vagnen huvudbult.

• Dra åt rattmuttern ordentligt.

## **HYVANDE KANTER**

Följ anvisningarna i avsnittet Planering tidigare i denna manual. Håll i kantstyrning stadigt mot kanten på arbetsytan.

## **ATT FÄSTA KANTGUIDE FÖR TILLVERKNING**

### **KANINSKÄRTAR**

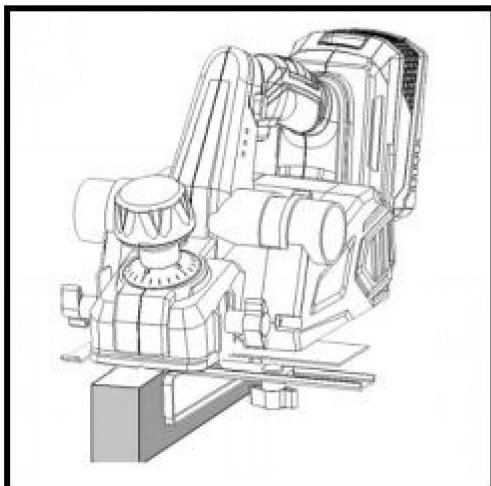
• Ta bort batteripaketet. • Fäst

fästet på vänster sida av hyveln och dra åt knoppbulten säkert.

• Fäst kantstyrningen löst på fästet med hjälp av rattmuttern och bult på vagnhuvudet (dra inte åt).

• Justera kantstyrningen till önskad bredd för kaninsnittet. • Dra åt rattmuttern ordentligt.

## **ATT GÖRA KANINSNITTINGAR**



Följ anvisningarna i avsnittet Planering tidigare i denna manual. Vila kantstyrning stadigt mot kanten på arbetsytan.

Djupet av rabbet bestäms av djupet av snittet och antal pass gjorda längs arbetsytan.

Det maximala djupet för kaninsnittet är 1/2 tum och måste skäras i 1/16 tums pass eller mindre för att nå önskat djup. Kaninsnittets bredd är justerbar genom att flytta kantguiden.



Använd endast identiska reservdelar vid service. Använd alla andra delar kan skapa en fara eller orsaka produktskador.



Bär alltid ögonskydd med sidoskydd märkta för att överensstämja med ANSI Z87.1. Om du inte gör det kan det leda till att föremål kastas in i dina ögon vilket kan leda till allvarlig skada.

### **ALLMÄNT UNDERHÅLL**

Undvik att använda lösningsmedel vid rengöring av plastdelar. De flesta plaster är det mottagliga för skador från olika typer av kommersiella lösningsmedel och kan skadas av deras användning. Använd rena trasor för att ta bort smuts, damm, olja, fett etc.



Låt aldrig bromsvätskor, bensin, petroleumbaserade produkter, penetrerande oljor etc. komma i kontakt med plastdelar. Kemikalier kan skada, försvaga eller förstöra plast vilket kan leda till allvarliga personskador skada.

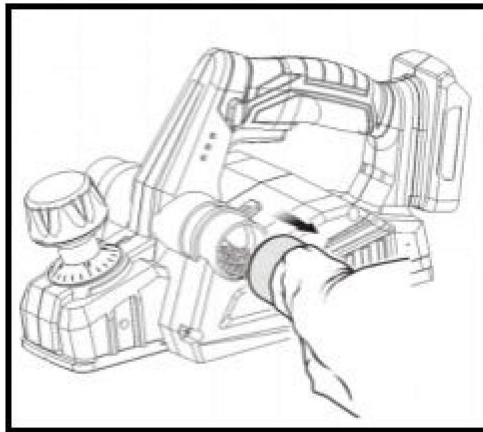
Elektriska verktyg som används på glasfibermaterial, väggskivor, spacklingmassor eller gips utsätts för accelererat slitage och eventuellt för tidigt fel

eftersom glasfiberspån och -slip är mycket nötande på lager, borstar, kommutatorer etc. Vi rekommenderar därför inte att använda detta verktyg för utökat arbete med dessa typer av material. Men om du gör det arbetar med något av dessa material är det extremt viktigt att rengöra verktyget med hjälp av tryckluft.

## SMÖRJNING

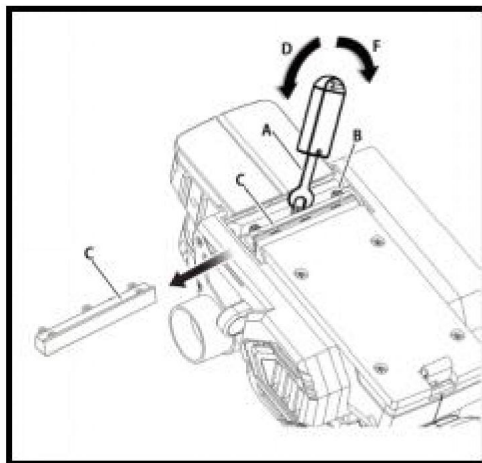
Alla lager i detta verktyg är smorda med en tillräcklig mängd high kvalitet smörjmedel för enhetens livslängd under normala driftsförhållanden. Därför behövs ingen ytterligare smörjning.

## RENGÖRING AV AVGASPORTEN OCH TÖMNING AV DAMMPÅSEN



Efter att ha använt hyveln under en längre tid eller vid våthyvling eller grönt virke, kan flis byggas upp i avgasporten och kräva rengöring. Spånupbyggnad begränsar luftflödet och orsakar motorn att överhettas. Rengör avgasporten och töm dammpåsen regelbundet. • Ta bort batteripaketet. • Ta bort dammpåsen från avgasporten. • Rengör spån eller damm från hyvelns utloppsport med en liten träbit. Använd inte dina händer eller fingrar. • Töm allt skräp från dammpåsen och se till att kragen är fri från skräp  
• Byt ut dammpåsen.

## BYTE AV BLAD



Hyvelbladen är vändbara. När ena kanten blir matt, bladet kan vändas så att den andra sidan kan användas.

Byt alltid ut eller vänd bladen i par. Försök inte skärpa blad. Om bladen i hyveln visar tecken på att bli matta, flisiga eller skadade på något sätt, byt ut dem.

När du byter ut knivarna, använd endast rekommenderat ersättningsblad,

### **VARNING:**

Bär alltid kraftiga läderhandskar och var försiktig när du lossar bladet skruvar och hantering och/eller byte av blad. Bladen är vassa och kan orsaka allvarliga personskador.

• Ta bort batteripaketet. •

Säkra hyveln upp och ner. • Lossa de tre skruvarna som håller fast bladet på bladhållaren med vrid moturs med den medföljande bladnyckeln.

**OBS:** Lossa inte skruvarna för mycket. Om skruvarna är för lösa, justera av det nya bladet kommer inte att vara korrekt.

**OBS:** Innan du tar bort de gamla knivarna, var uppmärksam på skärriktningen samt hur den avsmalnande kanten på de gamla bladen är orienterad. Den avsmalnande kanten på de nya bladen måste vara i samma riktning som originalet blad, med den avsmalnande kanten på samma sida som skruvhuvudena och den platta kanten mot skärblocket.   
• Tryck ner det fjäderbelastade bladskyddet.   
• Tryck ut knivhållaren ur skärblocksensheten med spetsen på a skruvmejsel.

• Ta bort det gamla bladet från bladhållaren genom att skjuta ut bladet med hjälp av spetsen på en skruvmejsel.

**OBS:** Om bladet inte enkelt kan tryckas ut ur bladhållaren efter att det har lossats bladets fästskruvar, använd ett träblock för att bryta loss bladet från bladhållaren med ett kort skarpt slag. Tryck sedan på bladet med en skruvmejsel för att ta bort den. Knacka vid behov skarpt på träblocket med en liten hammare för att bryta loss bladet.

• Rengör eventuellt sågspån eller träflis runt klingområdet.   
• Skjut in det nya bladet i skåran på bladhållaren.

• Använd en skruvmejsel för att trycka in bladet i bladhållaren tills det är centrerat i position.

• Tryck ner det fjäderbelastade bladskyddet.   
• Sätt in knivhållaren i skärblocksensheten.   
• Dra åt de tre knivarnas fästskruvar med knivnyckeln.   
• Upprepa ovanstående procedur för att byta det andra bladet.

## **BYTE AV BÄLT**

När du byter bälte, använd endast det rekommenderade utbytesbältet.   
• Ta bort batteripaketet.   
• Ta bort remskyddets skruvar.

• Ta bort bältesskyddet.

• Tvinga den gamla remmen från den lilla remskivan genom att vrida i den riktning som visas.   
När du vrider på remmen, dra och arbeta bort den från den lilla remskivan tills den har varit helt borttagen från båda remskivorna.

• Montera den nya remmen över den lilla remskivan, var noga med att rikta in spåren.   
När du vrider på remmen, tryck och arbeta den på den stora remskivan tills den är i

plats.

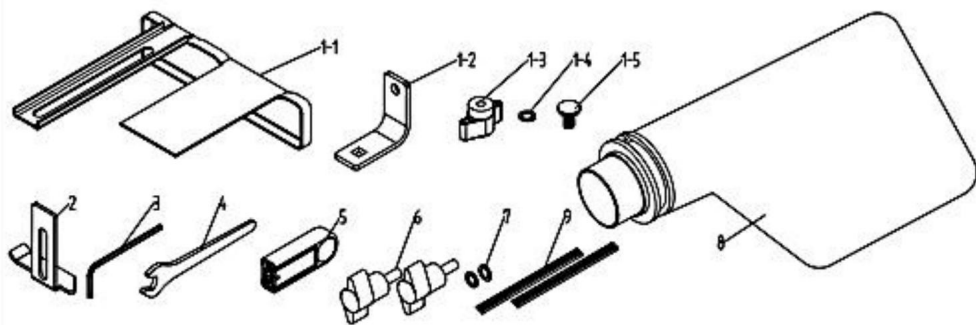
• Sätt tillbaka bältesskyddet. •

Montera remskyddets skruvar och dra åt ordentligt.

OBS: Dra inte åt skruvarna för hårt.

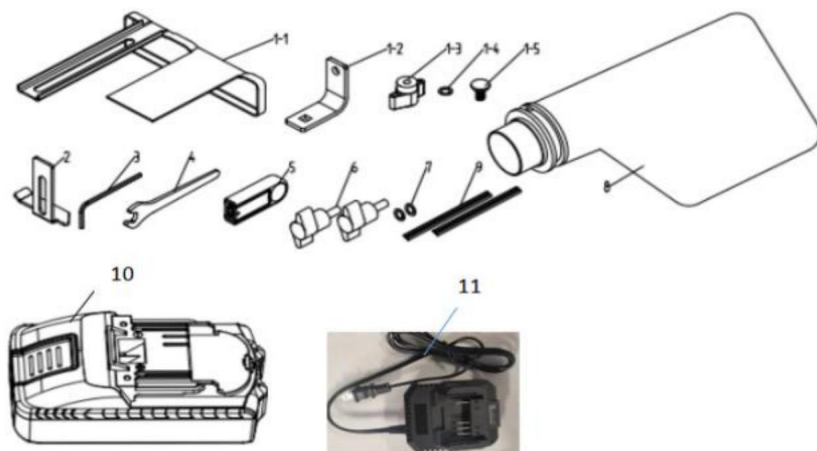
## TILLBEHÖR

### TILLBEHÖR--BORSTLÖS HYVEL MED FÄRG LÅDA



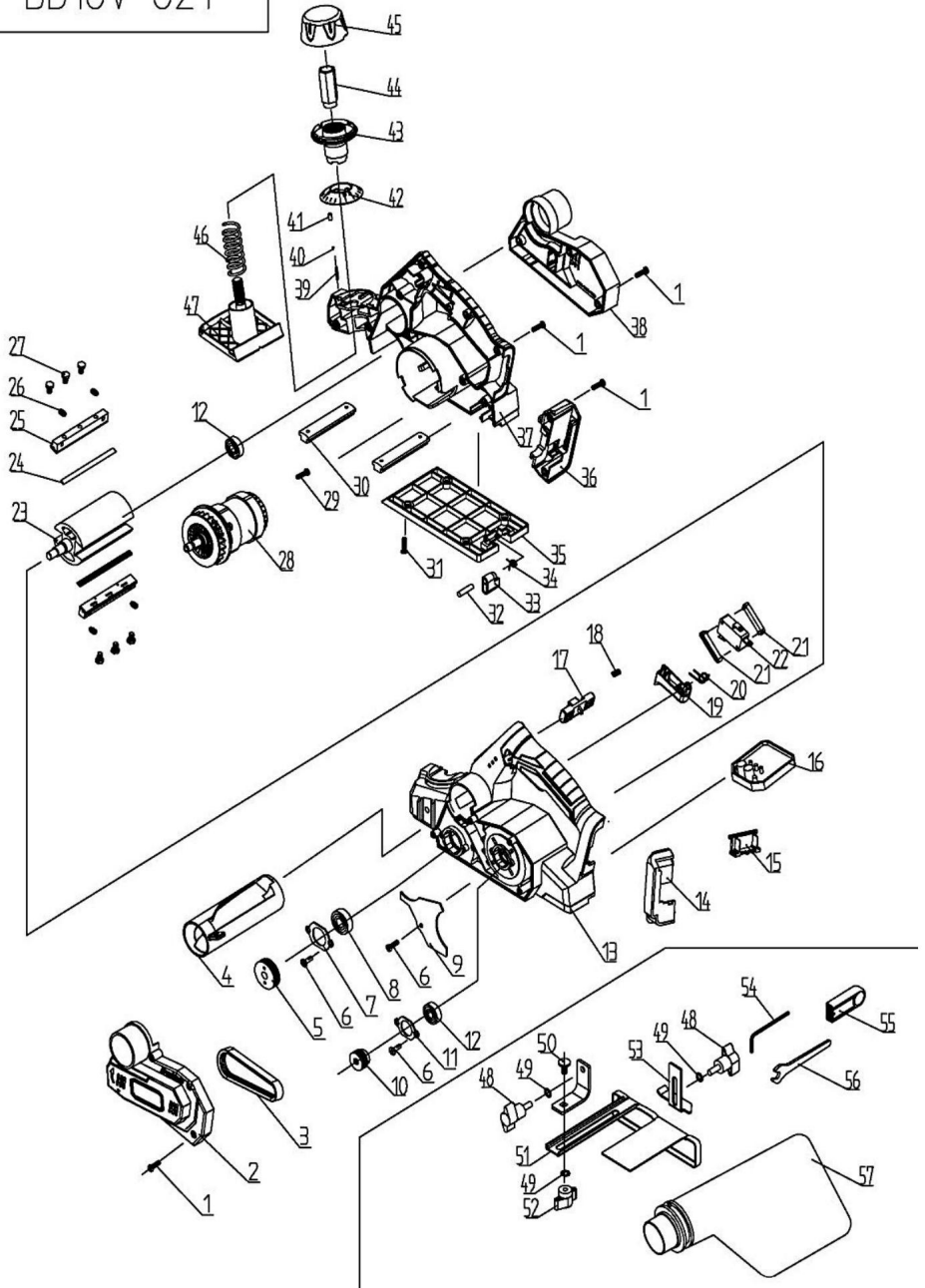
DELNR.	BESKRIVNING	ANTAL
1	Parallell guide	
1-1	Parallell guide	1 PC
1-2	Parallell styrfäste	1 PC
1-3	Fjärilsnöt	1 PC
1-4	Platt bricka	1 PC
1-5	Fyrkantiga halsbultar	1 PC
2	Djupguide	1 PC
3	Inre sexkantnyckel	1 PC
4	Nyckel	1 PC
5	Skiftnyckelskydd	1 PC
6	Fjärilsskruv	2 st
7	Platt bricka	2 st
8	Dustbag	1 PC
9	Blad	1 SET

## TILLBEHÖR--BORSTLÖS HYVLER MED BMC-BOX



DELNR.	BESKRIVNING	ANTAL
1	Parallell guide	
1-1	Parallell guide	1 PC
1-2	Parallell styrfäste	1 PC
1-3	Fjärilsnöt	1 PC
1-4	Platt bricka	1 PC
1-5	Fyrkantiga halsbultar	1 PC
2	Djupguide	1 PC
3	Inre sexkantnyckel	1 PC
4	Nyckel	1 PC
5	Skiftnyckelskydd	1 PC
6	Fjärilsskruv	2 st
7	Platt bricka	2 st
8	Dustbag	1 PC
9	Blad	1 SET
10		1 PC
11	Batteriväxlare	1 PC

DB18V-821



DB18V-821B							
INGA.	BESKRIVNING	ANTAL		INGA.	BESKRIVNING	ANTAL	
1	GÅNGSKRUV ST4*14	20 st 30			SUPPORTSTYRELSE	2	PCS
2	BÅLTSKYDD	1	PCS 31		GÅNGSKRUV ST4*12	4	PCS
3	BÅLTE	1	PCS 32		CYLINDRISK STAPP 5*32	1	PCS
4	DAMMTRÖR	1	PCS 33		PARKVILA	1	PCS
5	V-PULLEY (STOR)	1	PCS 34		Vridfjäder	1	PCS
6	GÅNGSKRUV ST4X12	5 st 35			BAS	1	PCS
7	LAGERKÅP	1	PCS 36		BATTERIPÅL (2)	1	PCS
8	KULLAGER 6000RS	1	PCS 37		RÅTT BOSTAD	1	PCS
9	DAMM FÖRVÄLANDE	1	PCS 38		BAKRE SKYDD	1	PCS
10	V-remskiva (LITEN)	1	PCS 39		Vridfjäder	1	PCS
11	LAGERKÅP	1	PCS 40		STÅLKUL 2.5	1	PCS
12	KULLAGER 608RS	2 st 41			KULA	1	PCS
13	VÄNSTER BOSTAD	1	PCS 42		DJUPSKALA	1	PCS
14	BATTERIPÅL (1)	1	PCS 43		KNOPP	1	PCS
15	BATTERIPIN	1	PCS 44		JUSTERA MUTTER	1	PCS
16	PCB KONTROLLTAVLA	1	PCS 45		KNAPPLOCK	1	PCS
17	LÅS-AV-KNAPP	1	PCS 46		JUSTERINGSFJÄDER	1	PCS
18	FJÄDRA	1	PCS 47		FRAMBAS	1	PCS
19	KNAPP PÅ BRYTARE	1	PCS 48		FJÄRILSSKRUV	2	PCS
20	Vridfjäder	1	PCS 49		PLAT Tvättmaskin <sup>6</sup>	3	PCS
21	KOPPLA BAS	2 st 50			FYRKANTIG HALSBOLT M6X12	1	PCS
22	VÄXLA	1	PCS 51		KANTGUIDE	1	PCS
23	ROLLER	1	PCS 52		FJÄRILSNÖTTER	1	PCS
24	BLAD	2 st 53			DJUPGUIDE	1	PCS
25	BLADHÅLLARE	2 st 54			INRE HEX. NYCKEL 1		PCS
26	SKRUV M5*10	4 st 55			NYCKELFÖRVARING	1	PCS
27	HEXBOLTEN M5*8	6 st 56			RYCKA	1	PCS
28	BORSTLÖS MOTOR	1	PCS 57		DAMSpåse	1	PCS
29	GÅNGSKRUV ST4*10	2 st					

**Tillverkare:** Shanghaimuxinmuyeyouxiangongsi

**Adress:** Shuangchenglu 803nong11hao1602A-1609shi, baoshanqu,  
shanghai 200000 CN.

**Importerad till AUS:** SIHAO PTY LTD, 1 ROKEVA STREETEASTWOOD NSW  
2122 Australien

**Importerad till USA:** Sanven Technology Ltd., Suite 250, 9166 Anaheim Place,  
Rancho Cucamonga, CA 91730



E-CrossStu GmbH

Mainzer Landstr.69, 60329 Frankfurt am Main.



YH CONSULTING LIMITED.

C/O YH Consulting Limited Office 147, Centurion House,  
London Road, Staines-upon-Thames, Surrey, TW18 4AX

**VEVOR**®  
TOUGH TOOLS, HALF PRICE

Teknisk support och e-garanticertifikat  
[www.vevor.com/support](http://www.vevor.com/support)