

SENCOR®

Let's live!



LED TV

SLE 43US400TCS

SLE 50US400TCS

SLE 55US400TCS

USER'S MANUAL

EN



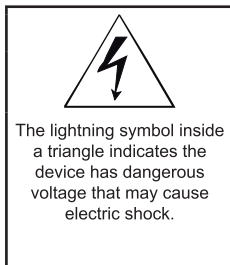
PLEASE, READ THESE INSTRUCTIONS BEFORE STARTING TO OPERATE THE TELEVISION. STORE IT FOR LATER REFERENCE. NOTE DOWN THE MODEL NUMBER AND THE SERIAL NUMBER OF THE TV SET. LOOK AT THE LABEL ON THE BACK COVER AND PASS THE INFORMATION PROVIDED THERE TO YOUR DEALER IN CASE THAT YOU WOULD NEED SERVICING.

Contents

1.	Important safety instructions.....	2
2.	Assembling the stand.....	9
3.	Device.....	10
	3.1. Button functions of the control panel.....	10
	3.2. Connecting the TV connectors.....	11
4.	Remote controller.....	12
5.	Basic controls.....	15
	5.1. First turning on.....	15
	5.2. Source selection (SOURCE).....	15
	5.3. Channel List.....	16
6.	Menu.....	17
	6.1. Quick settings.....	17
	6.2. Picture.....	17
	6.3. Sound.....	18
	6.4. Channel.....	19
	6.5. Network.....	21
	6.6. Time.....	22
	6.7. System.....	22
	6.8. About TV.....	24
7.	Media.....	26
	7.1. USB.....	26
	7.2. Anynet Cast.....	27
	7.3. Media Server.....	27
8.	EPG.....	28
9.	PVR.....	30
10.	Troubleshooting.....	31
11.	Technical specifications.....	34
	11.1. Information sheet.....	36

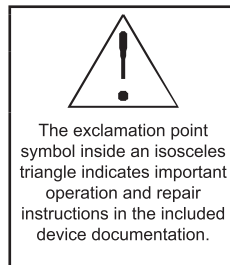
1. Important safety instructions

To be able to use this product properly, read this user's manual carefully and keep it for future reference. If you plan to give (sell) this device to a third person, include all documentation, including this manual, with the transaction.



ATTENTION
RISK OF ELECTRIC SHOCK – DO NOT OPEN!

TO REDUCE THE RISK OF ELECTRIC SHOCK, DO NOT REMOVE THE COVER (OR BACK SIDE). THERE ARE NO PARTS INSIDE WHICH COULD BE REPAIRED BY THE USER. FOR REPAIRS AND SERVICE, CONTACT AN AUTHORIZED SERVICE CENTRE.



General safety instructions

- Please read this manual carefully before using the device. Follow this manual and the instructions inside.
- Heed all warnings.
- Follow all instructions.
- Use only the attachments and accessories specified by the manufacturer.
- **OPEN FLAMES, FOR EXAMPLE A BURNING CANDLE, SHALL NOT BE PLACED ON THE DEVICE. DO NOT PLACE HOT OBJECTS OR OBJECTS WITH AN OPEN FIRE ON THE DEVICE, FOR EXAMPLE CANDLES OR NIGHT LAMPS. HIGH TEMPERATURES MAY MELT PLASTIC COMPONENTS AND CAUSE FIRE.**
- Use the device in temperate climate.
- The manufacturer and vendor of the device are in not in any way liable for any direct or indirect damages caused by not following the instructions for installation, setup, operation, maintenance and cleaning of the device mentioned in this manual.
- Protect the device against impacts, falls, blows, shocks, vibration, moisture and dust.
- Prior to granting children consent to use the device, they shall become familiar with the proper and safe use of the player, corresponding to their age. If the device has a headphone jack, do not use headphones set to maximum volume. Risk of hearing damage or loss.

Installation, control

- Install the device according to the instructions in the manual.
- Leave free space around the device, it is necessary for proper air circulation. It helps to dissipate the heat generated by the operation of the device. By covering the air vents of the cabinet, you risk overheating and damage of the device. You must ensure that the air circulation will not be prevented by covering the air vents with e.g. newspaper, tablecloth, curtain, etc. Follow the installation instructions in the manual.

- This device shall not be kept in a closed area, such as a library or shelf, provided sufficient ventilation cannot be provided or the manufacturer's instructions cannot be followed.
- Do not place any objects into the air vents or any other holes. Risk of touching components with dangerous voltage or shorting parts that could cause fire or electric shock. Do not pour any liquids into the device. Do not install the device in direct sunlight, or close to heat sources, like radiators, heat exchangers, stoves or other appliances (including amplifiers) producing heat. High temperatures shorten the life of the electronic components of the device significantly. Do not use and do not leave the device near an open fire.
- The device must not be exposed to dripping or running water and you must not place upon it objects filled with liquid, e.g. vases. Protect the device against becoming wet, sprayed on or poured on by any liquid, do not leave or install the device outdoors. Do not use the device outdoors. You risk electric shock or fire by not adhering to these instructions.
- Do not use the device close to water.
- Handle the glass panels and cover of the device with care. The glass screen can break on impact and cause serious injury.
- Make sure the power cord is not stepped on or compressed, especially near the plug and point leading from the device or adapter. The power plug (adapter) is used to disconnect the system and must be easy to access.
- Do not use a device with a damaged power cord or plug. If the power cord or plug is damaged, turn off the device, disconnect it from the power supply and contact your authorized repair shop. Only a professional can replace a damaged power cord or plug. Under no circumstances should you attempt to replace the power cord or plug yourself.
- Do not attempt to bypass the safety function of the polarized plug. If the plug cannot be plugged into your socket, refer to an electrician to replace your obsolete socket. Before plugging the device into the socket make sure the voltage in your socket corresponds with the voltage on the label of the device or power adapter. If you are not sure of the type of power source you have in your home, refer to your vendor or local power company.
- Before switching, make sure that all network connections are made properly and in accordance with the manufacturer's instructions. Switch the device off and unplug it from the socket before plugging in or changing the connection of the device.
- Remember to always unplug the plug (adapter) from the socket before unplugging the power cord.
- Plug the power cord into an independent socket. Do not overload wall sockets using extension cords or unified sockets. Risk of electric shock.
- Hold the power cord by the plug and not by the cable when pulling out from the socket.

- Disconnect the power cord from the power outlet during thunderstorms, or when not in use for a longer period of time. Avoid carrying the device from a cool environment into a warm environment or vice versa, or operating the device in a moist environment. Air moisture may condense in some areas within the device case and may cause the device to become temporarily inoperable.
- In this case, leave the device in a warm and well-ventilated area and leave for 1–2 hours until the moisture evaporates. The device can be normally used again. Be especially cautious when using the device for the first time during a cool season immediately after purchasing. Do not place the device on an unstable cart, stand, console or table. The device can fall and cause serious injury to children or adults or seriously damage the device and other objects. Only carts, stands or tables defined by the manufacturer or sold with the device shall be used. Any assembly work with the device shall be carried out according to the manufacturer's instructions and shall use assembly accessories recommended by the manufacturer.
- Do not lean against the device, do not lean over or use the device as a step. Avoid quick movements. Make sure children do not play with the machine.
- Be careful when moving the device when placed on a cart. Suddenly stopping, using excessive force and uneven surfaces may cause the cart holding the device to tip over.
- Under no circumstances are the manufacturer or vendor liable for any direct or indirect damage caused by the failure to observe the instructions for installation, configuration, operation, treatment and cleaning of this device included within this manual.
- Protect the device against impacts, falls, blows, shocks, vibration, moisture and dust. Do not expose the device to extreme temperatures or humidity.

**Note:**

If the device is powered by an adapter, only use the AC adapter and power cord included with the device. Do not use defective sockets. Make sure the cord is properly plugged into the socket. If the cord is loose, an electric arc can cause fire. Refer to a qualified electrician to replace sockets.

Note:

Plug the device into a properly grounded sockets with protective grounding pin only.

Note:

If you plan to mount the device to a wall or ceiling, follow the instructions of the manufacturer and the user's manual for the given system.

Repairs and maintenance

- To avoid risks of electric shock or fire, do not remove the device from the case – the case does not contain components that the user could repair or adjust without the necessary equipment and qualification. Refer to a professional service centre if your device requires service.
- In the event of any unusual occurrences during the use of the device, e.g. smelling the characteristic smell of burning insulation or even seeing a smoke, turn the device off immediately, disconnect the power supply and wait with continuing use of the device until you learn the result of its inspection by the service personnel.
- Leave all service to qualified service personnel. Service is necessary when the device is damaged in any way, for example in case of damage to the power cord, spilling liquid on the device, intrusion of foreign objects into the device, when the device is exposed to rain or moisture, if the device does not function in the usual manner or if it fell.
- When repairing or replacing a component of the device, make sure the repair technician used spare parts defined by the manufacturer to ensure the replaced components have the same features as the original. Unauthorized replacements can cause fire, electric shock or other risks.
- Prior to cleaning, moving or other maintenance work, unplug the cord (adapter) from the socket.
- Clean the device with a dry cloth only. Do not use gasoline, thinner or other solvents or abrasives, scouring pads, or sponges with scouring pads to clean the device.

Note:

Do not throw the device into your common household waste. Respect laws and regulations when disposing of the machine.

Remote controller and battery

- Do not expose the remote controller or battery to direct sunlight, or close to heat sources, like radiators, heat exchangers, stoves or other appliances (including amplifiers) producing heat. Do not use and do not leave the device near an open fire. Make sure the sensor is not exposed to intense light (e.g. sunlight) or fluorescent tube light, which could lower the efficiency and reliability of the remote controller.
- The remote controller or battery must not be exposed to dripping or running water and objects filled with liquid, e.g. vases, shall not be placed on the device. Protect the remote controller against becoming wet, sprayed or poured on by any liquid. Do not use outdoors. Failure to respect these instructions can lead to the remote controller or battery becoming damaged.
- Do not use the device close to water.
- The impact the battery disposal has on the environment shall be monitored carefully.
- Using the batteries incorrectly can result in leakage and corrosion. Follow the following instructions to ensure proper remote control operation:
 - Do not insert the batteries in the wrong direction.
 - Do not charge, heat, open or short the batteries.

- Do not throw batteries into a fire.
- Do not leave dead batteries in the remote controller.
- Do not combine various types of batteries or old and new batteries.
- If you do not use the remote controller for a longer period of time, remove the batteries to prevent damaging the remote controller by the batteries leaking out.
- If the remote controller does not work correctly or its range decreases, replace all batteries with new ones.
- If there is an electrolyte leakage from the batteries, have the remote control serviced by an authorized technician.

**WARNING:**

To prevent risk of fire or electric shock, do not expose the device to rain or moisture.

**WARNING:**

The batteries must not be exposed to excessive heat, for example sunlight, fire, etc.



This symbol indicates the device has double insulation between dangerous voltage from the network and user-accessible parts. Replace parts with identical spare parts only.

SENCOR®

Appendix to the operating instructions for the LCD panel

Measures for static image; red/blue/green/black spots on the screen

A static image can damage the LCD display permanently.

- Do not leave a static image on the LCD panel for more than 2 hours. This may result in a damaged panel. This damage is known as “screen burn-in”.
- Similar damage to the LCD panel can be caused by static placement of the television station logo.
- Watching television in 4:3 and 16:9 or similar aspect ratios (formats which do not cover the entire display panel) for a longer period of time can leave traces on the right or left edge, or even in the middle of the screen, caused by differences in light emission. Similar damage can also occur for DVD playback or playing video games.
- Displaying a static image from video games or a computer for a longer period of time can result in “image persistence”. To prevent this effect, reduce the brightness and contrast levels when displaying static images.



The warranty does not apply to screen damage caused by the reasons stated above!

Red, blue, green, and black dots may appear on the screen

- This is typical for liquid crystal displays and does not indicate any problems. LCD screens are made using precision technology to provide even the finest image details. Several defective pixels can appear on the screen from time to time, indicated as red, blue, green or black dots (up to 0.001% of the total pixel count of the screen). This does not affect the characteristics and the effectiveness of your TV set.

Notes on the USB connector:

- USB memory devices require being connected directly into the device. To prevent a failing or interrupting data transfer, do not use USB extension cable. Electrostatic discharge can cause the device to not function. In this case, the user must restart the device.
- Before using a USB memory device, test that it communicates with the device and its read and write speed.
- For maximum reading speed, we recommend to keep the disc space defragmented. Use file system FAT32, single partition, no protection.
- If the reading/writing of the memory device is not smooth, it can lead to undesirable effects, such as interruption of the image (blocky image) or failure of whole frames, audio malfunctions, and in extreme cases, stopping of the operation. Unexpected behaviour of the connected storage device, or the presence of viruses and other malicious software can cause the device to stop the functioning with the need to restart it.
- The USB connector is a standard type and cannot power a USB device with a high power consumption (e.g. hard drives). Use a device with its own power and power them with their own power supply.
- The device was designed with respect to maximum compatibility with memory devices. Considering the variety of devices on the market, we cannot guarantee compatibility with every USB device available. Should you run into any issues, try formatting the memory device directly in the device. Should problems persist, use another memory device.

Due to wide range of the USB devices on the market, it is not possible to ensure compatibility of the device with all types of USB devices.

Serial number

The device's serial number is a unique number that unambiguously identifies your device. Mark down the serial number of your device below along with additional information important for the unambiguous identification of your device.

Serial number: _____

Date of purchase: _____

Notes:

1. The graphics in this manual is informative.
2. The menu on your TV screen may be slightly different from the illustrations in this manual.
3. The information in the document are subject to change without notice. The manufacturer accepts no liability for damages incurred directly or indirectly from errors, incompleteness or discrepancies between the instruction manual and the product described.

2. Assembling the stand

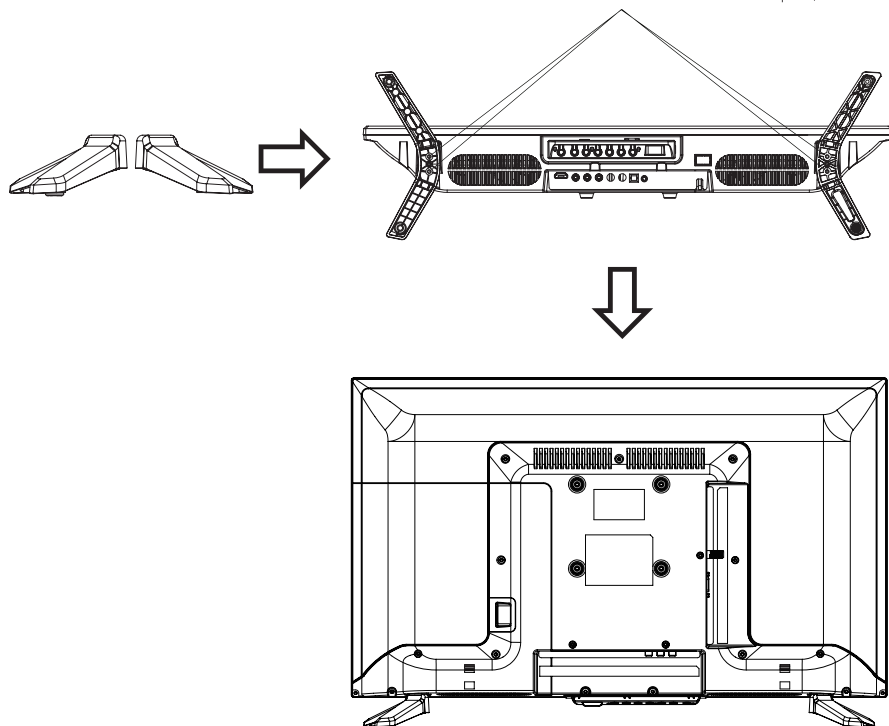
Before attaching /removing the stand, make sure the TV is turned off and plug is disconnected from the wall outlet.

Before performing the work, put underneath the LED TV set some soft material (e.g. blanket). This will prevent damage to it. Ensure a proper attachment of the supports so that the TV set is stable.

Place the assembled TV set on a firm and flat surface.

Instruction for assembling the stand

SLE 43US400TCS: B4×16F (4 pcs)
SLE 50US400TCS: MB4×14 (4 pcs)
SLE 55US400TCS: MB4×18 (4 pcs)



3. Device

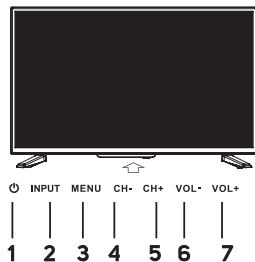
3.1. Button functions of the control panel

The buttons on the bottom right control basic TV functions, including on-screen menu. If you want to use advanced functions, you have to use the remote controller.

Note:

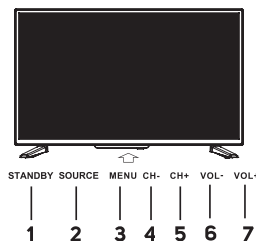
The figures are only for orientation

SLE 43US400TCS



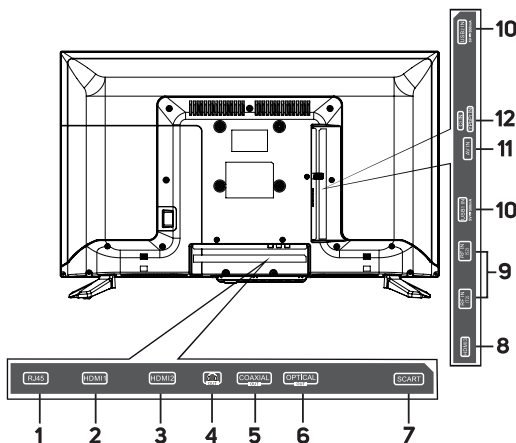
1. **⏻**: turning TV On/Off.
2. **INPUT**: source selection
3. **MENU**: enter or exit menu (use the **CH+/-** button to select an item, use the **VOL+/-** buttons to set the item)
4. **CH-**] CH+/-: channel selection
5. **CH+**]
6. **VOL-**] VOL+/-: volume setting
7. **VOL+**]

SLE 50US400TCS/ 55US400TCS



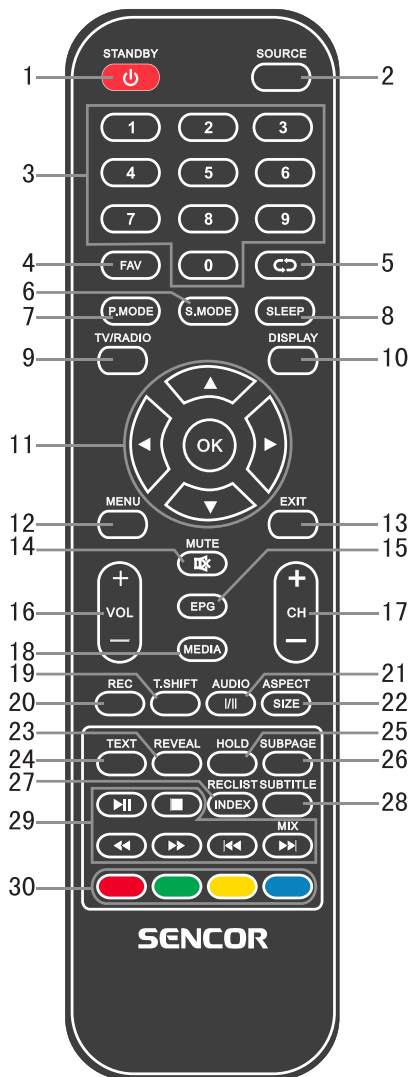
1. **STANDBY**: turning TV On/Off.
2. **SOURCE**: source selection
3. **MENU**: enter or exit menu (use the **CH+/-** button to select an item, use the **VOL+/-** buttons to set the item)
4. **CH-**] CH+/-: channel selection
5. **CH+**]
6. **VOL-**] VOL+/-: volume setting
7. **VOL+**]

3.2. Connecting the TV connectors



1. **RJ45:** connect the internet
2. **HDMI1:** connection of device with a HDMI output to the HDMI1 connector
3. **HDMI2:** connection of device with a HDMI output to the HDMI2 connector
4. **EARPHONE OUT:** earphone output
5. **COAXIAL:** coaxial sound output
6. **OPTICAL:** connect the optical output
7. **SCART:** SCART input
8. **HDMI3:** connection of device with the HDMI output to the HDMI3 connector
9. **RF IN:** connection to the antenna or cable television system
10. **USB:** connection of a USB flash unit for playing supported multimedia content
11. **AV IN:** AV input
12. **YPbPr IN:** YpbPr input
13. **CI:** CI input

4. Remote controller



1. **STANDBY button**
Turn the TV set on/off in/out of the standby mode.
2. **SOURCE button**
Press to select the required input.
3. **Number pad 0-9**
Press button 0-9 directly to select a TV channel when watching television. Select the page number in the teletext mode, etc.
4. **FAV button**
In the TV mode you enter the Favourites menu or you exit it.
5. **Button \odot**
Button to switch to the previously watched channel.
6. **S.MODE button**
Press repeatedly to select an audio mode.
7. **P.MODE button**
Press repeatedly to select a picture mode.
8. **SLEEP button**
Set time to automatically turn off the TV set.
9. **TV/RADIO button**
Switching between the digital television and radio modes.
10. **DISPLAY button**
Button to view the source and information about the channels.
11. **Buttons \blacktriangle / \blacktriangledown / \blacktriangleleft / \blacktriangleright /OK**
Used for navigation in the menu on the screen and set the TV set according to your preferences.
12. **MENU button**
In the TV mode it displays the main television menu.
13. **EXIT button**
Function to exit menu or the screen.

14. **MUTE button**
Press to mute the sound. Resume it by pressing again or by pressing the VOL + button.
15. **EPG button**
Press to display/hide the electronic program guide.
16. **VOL+/- buttons**
Press to increase or lower the volume.
17. **CH +/- buttons**
Press to switch to individual channels.
18. **MEDIA button**
Press to enter the media playback mode (USB).
19. **T.SHIFT button**
Used to start time shifted recording (i.e. Time Shift). The function is available only in the DTV mode when a functional USB memory is connected.
20. **REC button**
Press to play (only in the DTV mode).
21. **AUDIO button**
DTV/media mode: selection of accompanying audio if available.
ATV mode: audio mode selection: Stereo / Dual I/II / Mono.
Other sources: select left/right channel
22. **SIZE button**
Press the button SIZE to change the size of the picture in the display mode.
23. **REVEAL button**
Press the REVEAL reveal button to display or hide hidden information in teletext (depends on the broadcast)
24. **TTX button**
Turn teletext on or off.
Note: the teletext function is optional and the availability of the buttons depends on the model.
Teletext information depends fully on the channel provider.
25. **HOLD button**
Keeping the actual display
26. **S.PAGE button**
Press the S.PAGE button to enter the teletext subpage.
27. **RECLIST button**
Enter the list of recordings
28. **SUBTITLE button**
Button to display/hide subtitles on the bottom part of the screen if available.
29. **Buttons ►II/■/◀◀/▶▶/I◀◀/▶▶I/MIX**
Button ►II: play/pause or start recording with time shift in the media mode.
Button ■: stop recording/play.
Button ◀◀: fast reverse
Button ▶▶: fast forward
Button I◀◀: Jump to previous track.
Button ▶▶I: skip to next track.
MIX button: TV picture and teletext are displayed on the screen in the same time.

30. Color buttons

Match various functions in the menu or in the teletext.

Note:

Remove the battery during storage or if you do not use the device for a long time. To control your device with a remote controller, point it at the device and then press the desired function. The maximum range of the remote control is about 5 meters with a deviation of up to +/- 30 degrees from the perpendicular direction to the receiving remote sensor on the front of the device. The falling battery capacity decreases gradually the range of the remote controller. When you use the remote controller, there can not be any fixed obstacles between the remote controller and the device. During a standard use, the battery life in the remote controller is about 1 year. If there is a significant reduction in the effective range of the remote controller, replace both batteries in the controller. If you are not going to use the controller for a long time, take out both batteries – thus preventing a possible damage from battery leakage. Prevent entry of strong light (e.g. sunlight or strong light from fluorescent or energy-saving sources) that may limit the efficiency and reliability of infrared remote controller.

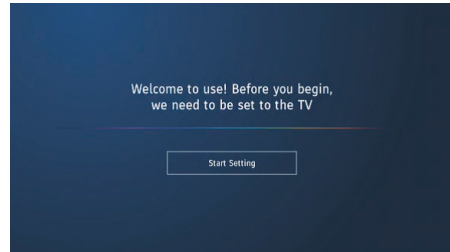
5. Basic controls

5.1. First turning on

Guide

The first time you turn on the TV, the guide helps you with the setup.

With the guide, select the appropriate menu language, country, Internet connection, home use (recommended) or demo mode and source selection. When you finish with the guide and select a broadcast source, you need to search for the available channels.

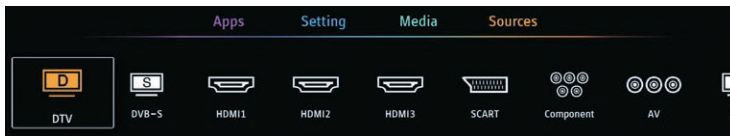


Note:

You can start the setup wizard later in MENU/System/ Advanced Settings/Installation Guide

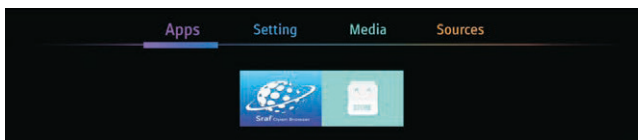
5.2. Source selection (SOURCE)

Press the **SOURCE** button, select the required source using the buttons ◀/▶ and press **OK** to select it.



Other Menu items

When you press **MENU** you can go up with the arrow ▲ from the item **Settings** to other ones. The selection **Apps** offers access to the installed applications. The selection **Media** offers access to the connected memory devices. The selection **Source** brings you to the list of sources, same as if you press the button **SOURCE**.



5.3. Channel List

Press **OK** to view the list of channels, which you previously saved. Move within the list using the **▲/▼** buttons and press **OK** to select a new channel. Press **MENU** to edit the selected program. Available choices are: **Lock/Fav/Move/Delete/Skip**. The Lock marks the program where you have to enter a numerical password, Favourites is a list of your favourite channels accessible by pressing the **FAV** button.

6. Menu

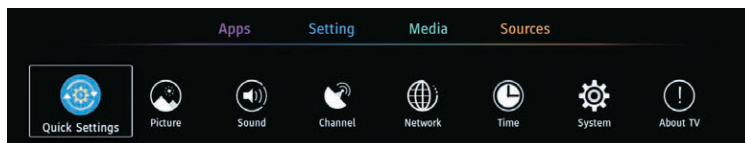
Moving and selection in the Menu

Press the button **MENU** and select the item you want to work with using the buttons ◀/▶. Then press **OK**.

Move within the item using the ▲/▼ buttons and confirm by pressing **OK**.

To return to the previous item press the **MENU** button.

To finish the setting press **EXIT**.



Note:

Depending on the current broadcast situation, on the connected devices and on the selected source, some options may be inactive or not appearing at all.

6.1. Quick settings

Audio Track – select from the available audio tracks.

Subtitle Track – select from the available broadcasted subtitles.

Teletext – switches to teletext view if available.

Record list – shows the list of recordings previously recorded on this device. Applicable only with connected external memory.

Schedule List – shows the list of tasks you have entered.

6.2. Picture

Select settings according to your taste, source, scene, ambient conditions.

Picture Mode

Select one of available settings **ECO/Standard/User/Dynamic/Mild/Vivid**.

User mode allows to set customized values for **Brightness, Contrast, Colour, Tint, Sharpness, Backlight**.

Note:

Press **P.MODE** on the remote controller to change the picture modes cyclically.

Aspect Ratio (Aspect Ratio)

Choose among **Auto** (depends on the information in the broadcast or video), **16:9**, **4:3**, **Zoom1**, **Zoom2**.

If the selected aspect ratio differs from that originally recorded in the image, it will distort the ratios of objects, such as faces. The correct Auto mode function depends on the correct information provided by the author.

Advanced Settings

OverScan (only some models) – allows recommended small cuts for video (standard On).

Colour Temp – select **Normal**, **Cool** or **Warm** colour presentation.

Dynamic Contrast – advanced evaluation of the displayed scene and adjustment of contrast.

Noise Reduction – select noise limit in the picture between **Off/Low/Medium/High**.

6.3. Sound

Choose according to your taste, sources, played sound, or ambient conditions of a particular setting.

Sound mode

Select from available modes: **Standard/Music/Theatre/User**

Note:

Press **S.MODE** on the remote controller to change the audio modes cyclically.

Surround Sound

Turn on or off the electronic sound completion.

Speaker

Audio Out – you can switch between the linear PCM or the original RAW if your connected device has a decoder for that sound track.

Digital Audio Delay – set in case of failed synchronization in the source.

Lip Sync – fine-tuning of the time synchronization with the picture.

AVL

Select **On** or **Off** – electronic equalization of different volume according to the program.

Advanced Settings

Balance – between the left and right channel

Equaliser – adjusting the sound in several frequency bands. Only for user audio mode.

Audio Description – if a sound track with sound description is broadcast with the currently running program with description of the sound for hearing impaired, you can turn its addition to normal sound on or off.

AD Volume – when audio description is enabled, the volume of the description can be adjusted against the normal sound.

6.4. Channel

This selection is used to set up the received channels, to scan the broadcasting bands, and to save broadcast programs. Depending on the type of broadcast (air, cable, or satellite), the content of the selection varies.

To receive broadcasts, you need to set each broadcast mode you want separately and save its programs. Before you set any of the modes you have to select correctly the **SOURCE** (DTV for digital DVB-T and DVB-C, ATV for analogue broadcasting).

Tip:

We recommend checking the antenna and its quality, including the quality of the power cable before starting the tuning. This is especially true for satellite dishes, where we recommend that they be installed and inspected by an expert, e.a. for safety reasons.

Note:

Find out the type and parameters of your antenna installation, what signals are present in your subscriber drawer before setup and tuning.

6.4.1. DTV air/cable reception

Make sure that you selected the DTV source.

DVB antenna – select Air or Cable according to your reception.

- **Auto Scan**

Tuning Mode – select if to tune digital DTV, analogue ATV or both.

Auto Scan – starts scan of the entire bandwidth and provides you with information about found channels and programs.

- **Other selections are applicable only for cable reception:**

Operator – only for cable reception if available.

Type – select Full, Quick, Network search according to the operator information.

Modulation – select Auto or Type QAM according to the operator information.

Frequency – select Auto or Manual according to the operator information.

Symbol rate – select Auto or Manual entry according to the operator information.

Network ID – select Auto or Manual according to the operator information.

Auto Tuning – starts search according to the above entered values.

HbbTV

Turn on if you want to receive additional information via an Internet connection for some programs. TV stations that broadcast this data will display their own reception alert in the picture. Switch to this data using the **Red** button on the remote controller and continue according to the instructions of that TV station.

Manual

Use buttons ◀/▶ **Channel** intended to search for a program. The demodulation stripe indicator will let you know about the presence of a broadcast on this channel and how to find programs on it. Use the button ▼ to go to **Start search** and press **OK**. The found programs are saved in your list, or the new search will overwrite those already present in your list.

CAM setting

If you have a Conditional Access Module (CAM) installed, you can access its menu and modify it. Follow the module instructions.

Signal information

Displays information about digital modulation and information on signal strength and signal quality. For the undisturbed reception, signal quality is particularly important, reflecting signal damage from the transmitter and interference, e.g. urban or industrial. We recommend that you keep your signal quality as close to 100% as possible by using a good quality antenna.

6.4.2. Satellite reception (DVB-S/S2)

Make sure that you selected the DVB-S source.

Satellite setting



ALERT:

Have a professional install your satellite antenna to ensure you get quality and uninterrupted reception. The professional will inform you about the technical parameters (in particular DiSEqC), which he used during the installation process and which shall be entered into the TV receiver for a successful tuning process.

- **Antenna Setup**

Select the type of antenna according to your installation **LNB Only** or multiple with a switch **DiSEqC**. Correctly determine the received satellites and assign them to DiSEqC. You can select a transponder to control the received signal (e.g. Astra 3/23,5° E, 12070 GHz, horizontal, 27500 kSym/s).

- **Channel Type**

Select for search **FTA, Free, Scrambled** or both.

- **Service Type**

Select for search **DTV, Radio** or **All**.

- **Scan Mode**

Select for search a mode among **Default/Network Scan/Blind Scan/Fastscan**.

Note:

All options may not be available depending on the region.

- **Auto mode Auto Tuning**

Depending on the set parameters press **OK** to scan.

HbbTV

Turn on if you want to receive additional information via an Internet connection for some programs. TV stations that broadcast this data will display their own reception alert in the picture. Switch to this data using the **Red** button on the remote controller and continue according to the instructions of that TV station.

CAM setting

If you have a Conditional Access Module (CAM) installed, you can access its menu and modify it. Follow the module instructions.

Signal information

Displays digital modulation information and signal strength information and signal quality of the selected program. For undisturbed reception, signal quality is particularly important, reflecting signal damage by e.g. atmospheric phenomena. We recommend that you keep your signal quality as close to 100% as possible by using a good quality antenna.

6.5. Network

Use smart apps and HbbTV to connect your TV to the internet.

Network

Choose between a wired or wireless WiFi connection.

Ethernet – only when selecting Cable

Next, select whether your wired connection has an automatic connection. In this case keep the following selection **DHCP** on **ON**. Or you can set the connection method manually for a fixed address, in which case select **DHCP** to **OFF**. Next, you have to enter the **IP address**, **Netmask**, **Gateway** and **DNS** according to your network operator information.

WiFi – only when selecting Wireless

TV scans available wireless networks. If your network is not on the list (e.g. it is set as hidden), you can add it manually **Add network**. For this you will need its SSID name and security. After selecting your network, enter the correct access information, e.g. your password, according to the security method. Once your security has been successfully verified, your TV will connect your TV to the network, and the TV will display the WiFi connection icon without a warning triangle with an exclamation mark at the corner.

Network test

Select **Network test** for verification. The TV will shortly verify the access to the Internet and if successful issues the report **Connected**.

6.6. Time

Current time

Auto sync Auto Sync – turns on or off time synchronization according to digital broadcast. We strongly recommend that you keep sync on, because many other advanced digital broadcasting features synchronize with time.

Date&Time – only in case the auto sync is off. Set correct date and time.

Time zone – if it is not broadcast at all or incorrectly, set the correct zone to preserve the functionality of other time functions.

Daylight savings – on/off. If it is not broadcast, set it correctly to preserve other time functions.

On Time

On Time – set the required turning on time or days limitations.

Then set choosing from available options the required **Input Source**, **DTV Channel Type**, **Channel** and **Volume**.

Off Time

Set the desired shutdown time or limit the days when the TV turns off.

Sleep Timer

Set the time after which the TV turns off to **Off** (timer is not active) / **10 min / 20 min / 30 min / 60 min / 90 min / 120 min**.

Note:

By pressing **SLEEP** on the remote controller you can also cycle through the sleep timer values.

OSD Timer

You can set the time after which the TV menu disappears to options: **Never / 10 s / 20 s / 30 s / 60 s**.

Auto Standby

You can set the time after which the TV turns off, unless you press any button. The options are: **Off** (TV will never turn off with this timer option) / **3 hrs / 4 hrs / 5 hrs**.

6.7. System

Country (Country)

Choose from the available countries that best suits your location.

Language

Select from the available languages the one that you prefer. In the case of double option, the first language you are looking for is the primary language, if it is not found, a secondary language is searched for. If it is not found, the language that is selected as the first to be broadcast is selected. The recognition function depends on the number of broadcast languages and their exact identification in the broadcast.

Set **Menu language**, with which the TV will communicate with you, **Primary** and **Secondary Audio Language** and **Primary&Secondary Subtitle Language**.

Lock

You can limit some TV function and request a password entry. To first activate the lock, enter the factory password "0000".

Activate the lock, position **On**, to display next settings.

Now you can change the factory password to your own in the item **Set Password**, where you enter first the current password and then the new one, which you have to repeat to exclude an error. Remember your new password!

Channel Lock – you can condition watching some channels by passwording them. Here you can display the channel list and lock the required channels (or unlock them) by pressing the **Green** button.

Parental Guidance – if the digital program is equipped with information about the desired age for viewing (e.g. 9, 12, 15 or 18 years), you can condition it by entering the correct password. The function depends on the broadcasted information about age. If it is broadcasted, the information on age appears in the description of the program, which you can display by pressing **DISPLAY**. To activate, select the minimum age using numbers or deactivate the function by selecting **Nothing**.

Note:

If watching is conditional upon entering a password you can enter it after pressing the **DISPLAY** button.

HDMI CEC

When you turn on the HDMI CEC function, only these HDMI and CEC devices will communicate with each other when they are connected by HDMI cable if they are equipped with HDMI CEC function.

Device Auto Power Off – your connected device turns off when your TV turns off.

TV Auto Power On – TV turns on when you switch on the connected device.

HDMI ARC (Audio Return Channel) – the audio will send back from TV to your device.

Detect – if the devices are compatible, the Detect function will show a shortcut of the name of your connected device

**ALERT:**

HDMI CEC is a digital function. The number of available functions depends on your connected device or the type of its input. The reliability of their application can also be affected by poor quality or too long HDMI cable or proximity to the sources of interference.

Advanced Settings

PVR&Time-shift Settings – if you connect an external storage device to the USB input, you can use it to record digital broadcast (only) or time shift when you pause the tracking and restart after a while without losing tracking during the pause. For the function to work properly, you need to set the connected drive and its partition to determine the amount of data space for the time shift. New memory can be formatted to the most appropriate format for records (Warning: formatting irreversibly deletes all previous memory content!). You can check the memory speed before use.

**ALERT:**

The amount of data coming through digital broadcasting is enormous. Reliable recording and time shift functions depend on high memory (write and read) speed and smooth run without outages. Otherwise, the recordings may exhibit distortions (“blocking”), image or sound outages, or recording functions may be completely disabled. The good quality of recordings depends on both the broadcast and the particular program, HD broadcasting is more demanding than SD broadcasting.

Hearing impaired – displays descriptions of the program if available.

Setup Wizard – the same guide as the first time you turn it on.

Store Mode – the mode sets a store show image and displays a description of TV features. This mode is not energy efficient and is not suitable for home viewing.

Blue Screen – Turns on or off the replacement of TV channels' noise with a blue screen image

6.8. About TV

System Information

Displays the identification of SW and HW TV set.

System Actualization

If the manufacturer releases new software for this TV in the future, it can be updated with this option. When new software is released, a description of the new features and how to update will be released.

**ALERT:**

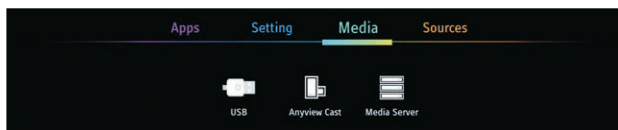
Only use software released by the manufacturer for the update intended exclusively for your TV model. An attempt to update to unauthorized software may cause irreparable damage to the TV that the warranty does not cover.

Restore to Default

If the TV settings are changed in many places and are difficult to find them all, you can restore the TV to the state it came from the factory. All your personal settings will be deleted. You will be warned before doing this.

7. Media

After you press MENU, press ▲ and then ► to go to **Media**. You can choose to directly play media connected to the USB port of the TV set (option **USB**), take the picture of a mobile device to the TV screen using the **Anynet** technology and you can play media from a network server active in your home network (option **Media server**).



7.1. USB

Press ▼ and then 2× **OK**, the memory previously inserted in the USB port of the TV opens.

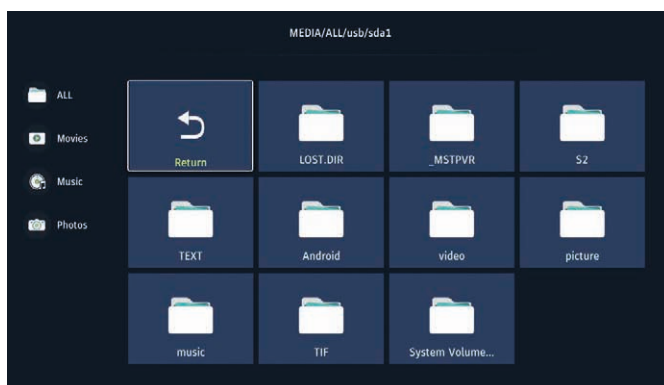
Moving and selection in the Menu

Move in the items in the memory using the buttons ▲/▼/◀/▶ and continue to confirm by pressing **OK**.

To return to the list above use the item **Return**. Play the required file by selecting it and pressing **OK**.

Press ◀ repeatedly to reach the display filter setting on the left side of the screen. You can limit the viewing of either all items, or only movies, music, or photos specified by file extensions using the filter.

To finish the setting press **EXIT**.



Movies

To control the playback use the usual buttons on the remote controller for fast forward ►► and reverse ◀◀, skip to previous ◀◀ and next ►► item on the list, pause || and start ►. Similar buttons are displayed also when you press the button **MENU** and hide when you press again **MENU**.

You can also set a different aspect ratio, set the repeat of one, all or no file, view your playlist, and view the available file information.

Music

To control the playback use the usual buttons on the remote controller for fast forward ►► and reverse ◀◀, pause || and start ►. Similar buttons are also displayed after you press the **MENU** button and hide when you press again **MENU**.

You can also set the accompanying song lyrics, set repeat of one or all files, random play.

Photos

To control the playback use the usual buttons on the remote controller to skip to next ►► and previous ◀◀ item on the list, pause || and start ► playback. Similar buttons are also displayed after you press the **MENU** button and hide when you press again **MENU**. You can also set repeat of one or all files, random play. Photos can be rotated to the left and right, you can display the list of files and information about the displayed file.

7.2. Anynet Cast

When you select **Anyview Cast** you switch the TV set to receive picture from a mobile phone or a tablet. Verify that your mobile phone is equipped with Anyview Cast or a compatible one (e.g. Miracast). You can view the connection data directly on the main TV screen. On your mobile phone, select the TV where your mobile phone will send the broadcast. To end the connection press the button **EXIT** on your remote controller.

7.3. Media Server

Select this option. If your media server DLNA offers media to a network, you will see it in the list of available servers. Select it by pressing **OK** and then follow according to the content of your server and the options, which it offers the network.

8. EPG

EPG is a digital service that is delivered (exclusively) in the digital broadcasting by the program provider and offers information about the programs up to seven days in advance. The program provider is responsible for the amount and accuracy of the information. Time information about programs refers to a single time, so it is necessary for the TV to set the correct time incl. of the time zone, whether synchronized from the broadcast or manually set.

EPG information is of two types. You can call the information about the currently played program and the next program by pressing **Display**, and then by **Right** arrow. This information disappears in a while or you can suppress it by pressing again **EXIT**. Another type of EPG is the table of programs, which you call up by pressing **EPG** on the remote control.

	18:00	18:30	19:00	19:30	20:00
1	ONE HD	LIVE: Basketball: Friday Night NBL	Drag Racing: ANDRA Pro Series	Rugby: Grand Slam...	
2	TEN Digital	NCIS	Law & Order: S.V.U.	Go Girls	
3	ONE HD	LIVE: Basketball: Friday Night NBL	Drag Racing: ANDRA Pro Series	Rugby: Grand Slam...	
4	ONE Digital	LIVE: Basketball: Friday Night NBL	Drag Racing: ANDRA Pro Series	Rugby: Grand Slam...	
5	SBS ONE		No information		
6	SBS HD		No information		
7	SBS TWO		No information		

Note:

The program data is broadcast for the entire multiplex (a set of programs broadcast at the same frequency, e.g. 4–10 programs), cyclically, at several-minute intervals. TV reads the data and continuously displays them as soon as they are supplied. If the data is not complete, select the program and then wait a while until the data is fully loaded. It depends on the provider how fast the data is broadcast, how detailed and how accurate it is. Usually, it takes longer to transmit to you multiple data (longer texts).

Tip:

TV's internal clock synchronizes from the broadcast quite accurately. If the TV does not receive for a long time a broadcast with time, the internal clock can differ from real time and affect the accuracy of long-term scheduled events. To synchronize the TV clock switch on the TV set and wait a while.

When you press **OK** in a specific program you can select from other functions.

Display – press to display detailed information about the program. (**DISPLAY**)

Record – select to set the time for recording of a program (**REC**)

Remind – select to set a program reminder time (**Red** button).

These options are also available from the remote control using the buttons listed in the brackets above.

You can edit **each timer function** and then **it has to be saved** in the schedule by selecting **Save** and confirmed by **OK**. The TV will alert you in case of a time conflict of two various actions and you can choose if to save the new action or if you keep the original one. The saved action has a small icon of an **alarm clock** at its name in the EPG list (for reminders) or **camera** (for recording), if there is space for icons in the list.

You can view the list of scheduled actions (and maybe delete some) using the option **MENU/Quick setup/Schedule List**.

9. PVR

During reception of digital broadcast, part of the broadcast can be recorded for later use. Records already made are available in MENU/Quick Setup/ Playlist.

Record – press the button **REC** to start recording. Press the button **PLAY** to view the recording immediately and **STOP** to return to current broadcast. Press the button **STOP**, the system will notify you about full stop of the recording. Confirm by selecting the option **YES** and press **OK** to end the recording.

Timeshift – it is the option to stop the current broadcast which is recorded in the meantime on the connected memory device. After a while, you can start the broadcast again and move it back and forth. This way, only a small portion of the broadcast can be stored depending on your PVR settings.

Press **PAUSE** to pause. For fast forward or reverse through the recording press the corresponding buttons **◀/▶**.

Recording, PVR

To ensure successful use of the PVR function, it is important for the combination of read and write speed to be compatible with the current type of digital broadcasting and its speed multiples. For maximum USB memory performance, we recommend formatting your memory device in the TV. Allocating more space gives you more freedom in using PVR functions, but it also slows down access to necessary data due to the bus speed on the drive. Check your drive to see whether it supports PVR functions, the TV checks both the file system and drive speed, which is essential for successful PVR operations. For example, if your disk speed is not sufficient and you try to record a demanding program, the TV will either display a note about insufficient disk speed (later playback problems) or a complete failure/stop of the recording, depending on the current broadcast speed. The speed of the broadcast and of the disc is evaluated continually and a message about the speed can appear at any time (repeatedly) during recording. If the speed is insufficient, use a faster disk.



ALERT:

When recording or timeshift viewing channels protected by conditional access, your conditional access system can restrict processing according to your conditional access rules. For example, recording programs to be viewed later is different from viewing programs in real time and the stored time code can limit or prohibit your actions. Do not violate copyright laws. The system can refuse to record programs even considering the parameters of connected memory or special protective broadcasting functions of both the entire program and individual programs or program segments (for example due to age or regional restrictions). Please contact your conditional access system provider for more information.

10. Troubleshooting



WARNING:

Under no circumstances should you try to repair the appliance yourself, the device does not contain parts that could be repaired by the user. Always take the device to an authorized service center if a repair or adjustment are necessary other than regular maintenance. Unauthorized interference with the device is considered a breach and the loss of warranty claim. The importer, supplier, distributor or vendor shall not be liable for any losses caused by a violation of regulations listed in this manual. Do not open the device, there is the danger of electric shock. In the case of device failure, first check the following list of problems and their solutions. If you fail to remove the defect according to the following tips, contact your vendor.

Problems	Possible solutions
The TV set has no power.	Check the attached power cord and the functioning of the electrical outlet. Unplug the power cord, plug it in after 60 seconds and turn the TV set on again.
No picture.	Check the antenna connection. There could have been problems at the broadcasting station, try another station. Adjust contrast and brightness.
Good picture, but no sound.	Raise volume. Check that the sound is not muted (Mute function). Press MUTE on the remote controller. Check audio settings. If you use an external device, make sure that its volume is not muted or the sound is not switched off. If you use the A/V or a component input, make sure that the cables are correctly connected and are not loose. If you use a cable with DVI reduction on HDMI, you need a separate audio cable. Make sure that the headphones jack is not occupied.
Good sound, but an unusually colored picture or no picture.	Check the connection and the state of the antenna. If you use a component input, check the connection. Incorrect or loose connection can cause problems with colors or empty screen.

Problems	Possible solutions
The TV set does not respond to the remote controller.	<p>The batteries in the remote controller might be empty.</p> <p>If it is necessary, replace them with new ones.</p> <p>Clean the lens of the remote controller. The distance between the LED TV set and the remote controller should be no more than 8 m, in the recommended operating angle and with no obstacles in the path of the beam. Prevent the impact of strong light (daylight, sunlight or fluorescent light lamps and fluorescent tubes) on the TV and remote controller.</p>
The whole screen is flashing in the VGA mode.	<p>Too high a value may be set of the V-HEIGHT.</p> <p>Restart the computer and switch to safe mode. Then set the parameters of the monitor to a correct value according to the description of the setting.</p>
Horizontal lines in the VGA mode.	<p>The sampling phase may be distorted. Adjust the phase according to the picture position.</p>
There are color points on the screen.	<p>Although the LED screen is made with high-precision technology and 99.99% or more of the pixels are operational, the screen can display permanently unlit or lit points of light (red, blue or green). This is a construction feature of the LED screen and is not a malfunction.</p>
The picture falls apart.	<p>Keep the TV set away from interfering sources of electricity, such as cars, hair-dryers, welders and any optional equipment.</p> <p>The disintegration of image may be caused by atmospheric phenomena, such as a local or distant thunderstorm.</p> <p>When installing optional equipment, leave a space between the optional equipment and the TV set.</p> <p>Check the antenna and the connection.</p> <p>Keep the antenna away from the power or input/output cables.</p>
After automatic tuning only some channels are available.	<p>Check if your area is covered by digital TV broadcasting. Try to retune or manually tune the missing channels.</p> <p>Check if you use the correct antenna type – see page 15 “Connecting the antenna”.</p>
Cannot select a channel.	<p>Check if the channel is not blocked in the main menu settings.</p>

Problems	Possible solutions
Cannot play from the USB device.	Check the connecting channel between the USB and power connection. The hard disc was not formatted. Make sure that the USB flash unit is compatible and contains supported formats of multimedia data.
The picture is distorted, contains macroblocks, microblocks, points, large pixels, etc.	Video compression can cause disruption, especially during rapid movement, e.g. In sports programs and action movies.
Speaker noise	Check the cable connections, make sure that the video cable is not connected to video input. Sound distortion can be caused by a low level of the signal.
The TV set turns off automatically.	Make sure that the sleep timer or power save mode timer are not on.
The TV set turns on automatically.	Make sure that the timer to turn on is not on in the settings menu (Settings).
The picture is not displayed on the whole screen.	First make sure that the problem is not caused by the input signal. Then try to adjust the item Zoom in the Functions menu.

Picture defects and their causes

Snowy screen

Snowy screen is usually caused by a weak signal. Change the antenna setting or install an antenna booster.

Double images or ghosting

Double image is usually caused by reflection from tall buildings. Adjust the antenna orientation or place it higher.

Radio frequency interference

Waves are moving on the screen, which is usually caused by neighbouring radio transmitters or shortwave receiver.

Interference by electrothermal devices with high temperature

Inclined or arrow shaped patterns appear on the screen or a part of the picture is missing. This is probably caused by electrothermic devices with high temperatures in a nearby hospital.

11. Technical specifications

Model	SLE 55US400	SLE 50US400	SLE 43US400
Panel size	55"	50"	43"
Power consumption	135 W	120 W	90 W
Standby consumption	<0.5 W	<0.5 W	<0.5 W
Rated voltage	AC 110–240 V ~ 50/60 Hz	AC 110–240 V ~ 50/60 Hz	AC 110–240 V ~ 50/60 Hz
Remote controller	Yes	Yes	Yes
VESA wall mount	200 × 200 mm	200 × 200 mm	200 × 200 mm
Dimensions with stand (w × h × d)	1234 × 766 × 310 mm	1124 × 692 × 236 mm	967 × 606 × 215 mm
Dimensions without stand (w × h × d)	1234 × 711 × 90 mm	1124 × 648 × 92 mm	967 × 561 × 95 mm
Net weight with stand	14.2 kg	11.6 kg	7.6 kg
Connection			
Optical	1×	1×	1×
RF IN	2×	2×	2×
AV input	1×	1×	1×
SCART	1×	1×	1×
Component YPbPr	1×	1×	1×
VGA (D-Sub 15 pin)	1×	1×	1×
HDMI	3×	3×	3×
Coaxial input	1×	1×	1×
USB	2×	2×	2×
Supported USB formats	MKV, AVI, MP4, MOV, XviD, MP3, AAC, WAV, JPEG, JPG, TXT	MKV, AVI, MP4, MOV, XviD, MP3, AAC, WAV, JPEG, JPG, TXT	MKV, AVI, MP4, MOV, XviD, MP3, AAC, WAV, JPEG, JPG, TXT
CI slot	yes	yes	yes
RJ45	yes	yes	yes
Other functions			
WXGA resolution	3840 × 2160	3840 × 2160	3840 × 2160
Aspect ratio	16:9	16:9	16:9
Response time (ms)	8 ms	8 ms	8 ms
Setting the color warmth	Cool, standard, warm	Cool, standard, warm	Cool, standard, warm
Viewing angle	H: 178°, V: 178°	H: 178°, V: 178°	H: 178°, V: 178°
Video system	PAL, SECAM/MPEG-2, MP@ML, MPEG-2, MP@HL, H.264, H.265	PAL, SECAM/MPEG-2, MP@ML, MPEG-2, MP@HL, H.264, H.265	PAL, SECAM/MPEG-2, MP@ML, MPEG-2, MP@HL, H.264, H.265
Audio system	BG/DK/I, L/L /MPEG-1 layer 1/2, DD, DD+, AAC, HE-AAC	BG/DK/I, L/L /MPEG-1 layer 1/2, DD, DD+, AAC, HE-AAC	BG/DK/I, L/L /MPEG-1 layer 1/2, DD, DD+, AAC, HE-AAC
Stereo sound	NICAM/A2	NICAM/A2	NICAM/A2
Audio output	Headphones output	Headphones output	Headphones output
PVR recording to USB	Yes	Yes	Yes
Correction of sound	No	No	No
Progressive scan	Yes	Yes	Yes

Timeshift	Yes	Yes	Yes
EPG	Yes	Yes	Yes
Teletext	Yes	Yes	Yes
Teletext pages	1000	1000	1000
Comb filter	3D	3D	3D
OSD menu	Yes	Yes	Yes
Zoom	Yes	Yes	Yes
Noise reduction	Yes	Yes	Yes
Timer OFF / ON / SLEEP	Yes	Yes	Yes
Subtitles	Yes	Yes	Yes
Audio language	Yes	Yes	Yes
Channel list	Yes	Yes	Yes
Favourites list	Yes	Yes	Yes
Image freeze	Yes	Yes	Yes
Radio	Yes	Yes	Yes
Parent lock	Yes	Yes	Yes
Hotel mode	Yes	Yes	Yes

Note:

Technical specifications may change without prior notice.
The original version is in Czech.

Manufacturer address: FAST ČR, a.s., Černokostelecká 1621, 251 01 Říčany, Czech Republic

Information sheet

Importer: FAST ČR, a.s., Černokostelecká 1621, 251 01 Říčany

Symbol	FAST
Model	SLE 55US400
Energy efficiency class	A
Screen diagonal in cm / inches	[cm/"] 140/55
Electric energy consumption when on	[W] 108
Annual electric energy consumption*	[kWh] 158
Electric energy consumption in standby mode	[W] <0.5 W
Screen resolution	[pixels] 3840 × 2160

* The electricity consumption of 158 kWh per year is based on the power consumption of the television operating 4 hours per day for 365 days. The actual electric energy consumption will depend on how the television is used.

Symbol	FAST
Model	SLE 50US400
Energy efficiency class	A
Screen diagonal in cm / inches	[cm/"] 127/50
Electric energy consumption when on	[W] 93
Annual electric energy consumption*	[kWh] 136
Electric energy consumption in standby mode	[W] <0.5 W
Screen resolution	[pixels] 3840 × 2160

* The electricity consumption of 136 kWh per year is based on the power consumption of the television operating 4 hours per day for 365 days. The actual electric energy consumption will depend on how the television is used.

Symbol	FAST
Model	SLE 43US400
Energy efficiency class	A
Screen diagonal in cm / inches	[cm/"] 109/43
Electric energy consumption when on	[W] 62
Annual electric energy consumption*	[kWh] 91
Electric energy consumption in standby mode	[W] <0.5 W
Screen resolution	[pixels] 3840 × 2160

* The electricity consumption of 91 kWh per year is based on the power consumption of the television operating 4 hours per day for 365 days. The actual electric energy consumption will depend on how the television is used.

INSTRUCTIONS AND INFORMATION REGARDING THE DISPOSAL OF USED PACKAGING MATERIALS

Dispose of packaging material at a public waste disposal site.



DISPOSAL OF USED ELECTRICAL AND ELECTRONIC APPLIANCES

The meaning of the symbol on the product, its accessory or packaging indicates that this product shall not be treated as household waste. Please, dispose of this product at your applicable collection point for the recycling of electrical & electronic equipment waste. Alternatively in some states of the European Union or other European states you may return your products to your local retailer when buying an equivalent new product.

The correct disposal of this product will help save valuable natural resources and help in preventing the potential negative impact on the environment and human health, which could be caused as a result of improper liquidation of waste. Please ask your local authorities or the nearest waste collection centre for further details. The improper disposal of this type of waste may fall subject to national regulations for fines.

For business entities in the European Union

If you wish to dispose of an electrical or electronic device, request the necessary information from your seller or supplier.

Disposal in other countries outside the European Union

If you wish to dispose of this product, request the necessary information about the correct disposal method from local government departments or from your seller.



Hereby, FAST ČR a.s. declares that the radio equipment type SLE 43US400TCS/SLE 50US400TCS/SLE 55US400TCS is in compliance with Directive 2014/53/EU.

The full text of the EU declaration of conformity is available at the following internet address: www.sencor.eu

Changes to the text, design and technical specifications may occur without prior notice and we reserve the right to make these changes.

SENCOR®

EN Warranty conditions

Warranty card is not a part of the device packaging.

This product is warranted for the period of 24 months from the date of purchase to the end-user. Warranty is limited to the following conditions. Warranty is referred only to the customer goods using for common domestic use. The claim for service can be applied either at dealer's shop where the product was bought, or at below mentioned authorized service shops. The end-user is obligated to set up a claim immediately when the defects appeared but only till the end of warranty period. The end user is obligated to cooperate to certify the claiming defects. Only completed and clean (according to hygienic standards) product will be accepted. In case of eligible warranty claim the warranty period will be prolonged by the period from the date of claim application till the date of taking over the product by end-user, or the date the end-user is obligated to take it over. To obtain the service under this warranty, end-user is obligated to certify his claim with duly completed following documents: receipt, certificate of warranty, certificate of installation.

This warranty is void especially if apply as follows:

- Defects which were put on sale.
- Wear-out or damage caused by common use.
- The product was damaged by unprofessional or wrong installation, used in contrary to the applicable instruction manual, used in contrary to legal enactment and common process of use or used for another purpose which has been designed for.
- The product was damaged by uncared-for or insufficient maintenance.
- The product was damaged by dirt, accident of force majeure (natural disaster, fire, and flood).
- Defects on functionality caused by low duality of signal, electromagnetic field interference etc.
- The product was mechanically damaged (e.g. broken button, fall).
- Damage caused by use of unsuitable media, fillings, expendable supplies (batteries) or by unsuitable working conditions (e.g. high temperatures, high humidity, quakes).
- Repair, modification or other failure action to the product by unauthorized person.
- End-user did not prove enough his right to claim (time and place of purchase).
- Data on presented documents differs from data on products.
- Cases when the claiming product cannot be indentified according to the presented documents (e.g. the serial number or the warranty seal has been damaged).

Authorized service centers

Visit www.sencor.eu for detailed information about authorized service centers.