



Australia
North America

Discovery Series Cabinet Trolley

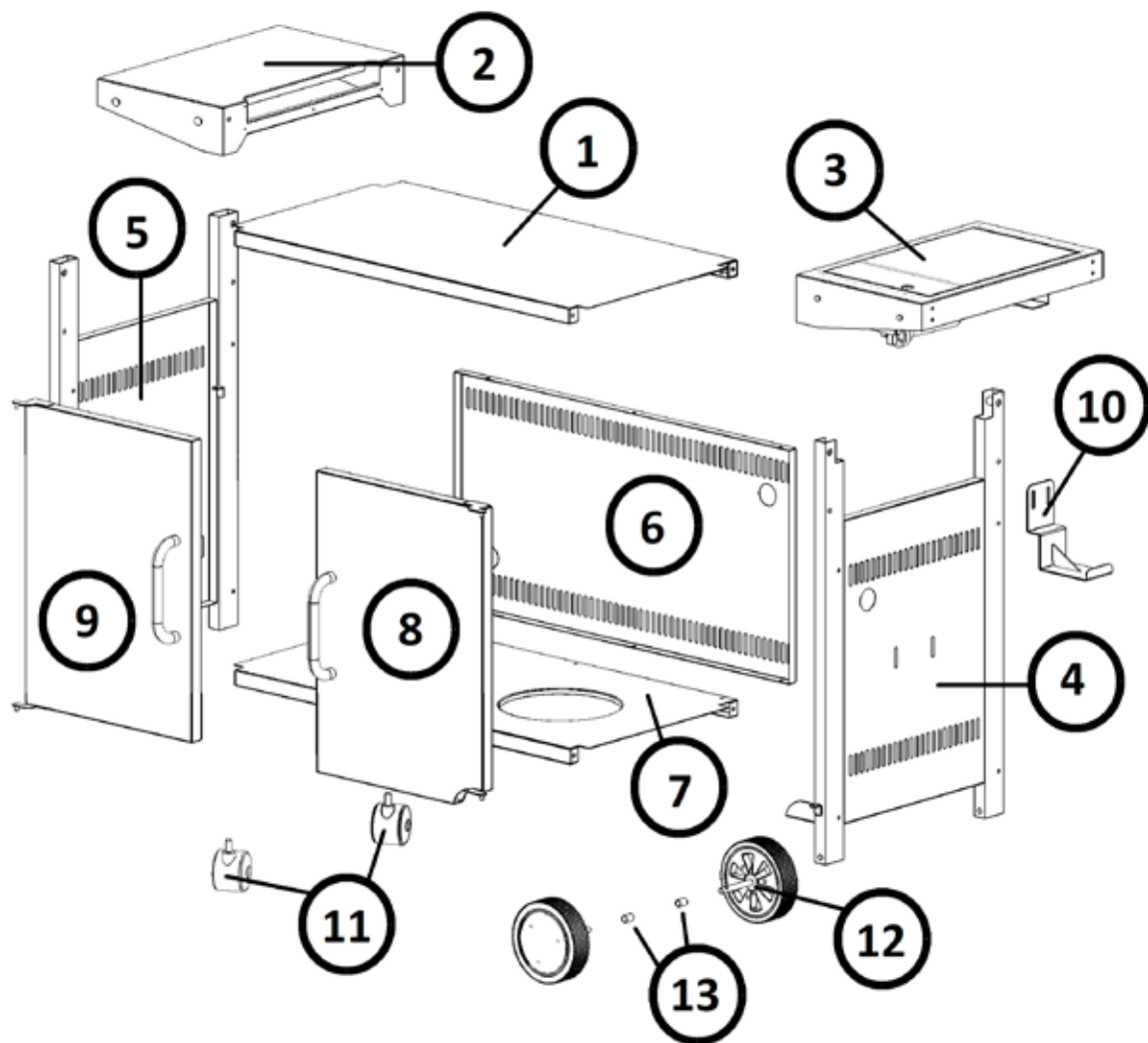


Assembly and Operating Instructions

For outdoor use only

Discovery i-1000R

Content:



Index	Part	Quantity
1	Top Panel	1
2	Shelf	1
3	Side Burner	1
4	RHS Panel and legs	1
5	LHS Panel and legs	1
6	Rear Panel	1
7	Base Panel	1
8	RHS Door	1
9	LHS Door	1
10	Cylinder Hook	1
11	Castors	2
12	Wheels	2
13	Wheel Spacers	2

Bolt Pack:

Mrk	Qty	description
A	16	M6 x 40mm Screw
B	24	M6 washer
C	6	M6 Fiber Washer
D	6	M6 x 12mm screw
E	2	'R' Clips
F	2	M6 x 25mm Screw
G	2	M6 Nut
H	1	M4 x 12mm screw
I	1	M4 Washer
J	2	Rubber Grommet
K	1	Cylinder Strap



Assembly Procedure

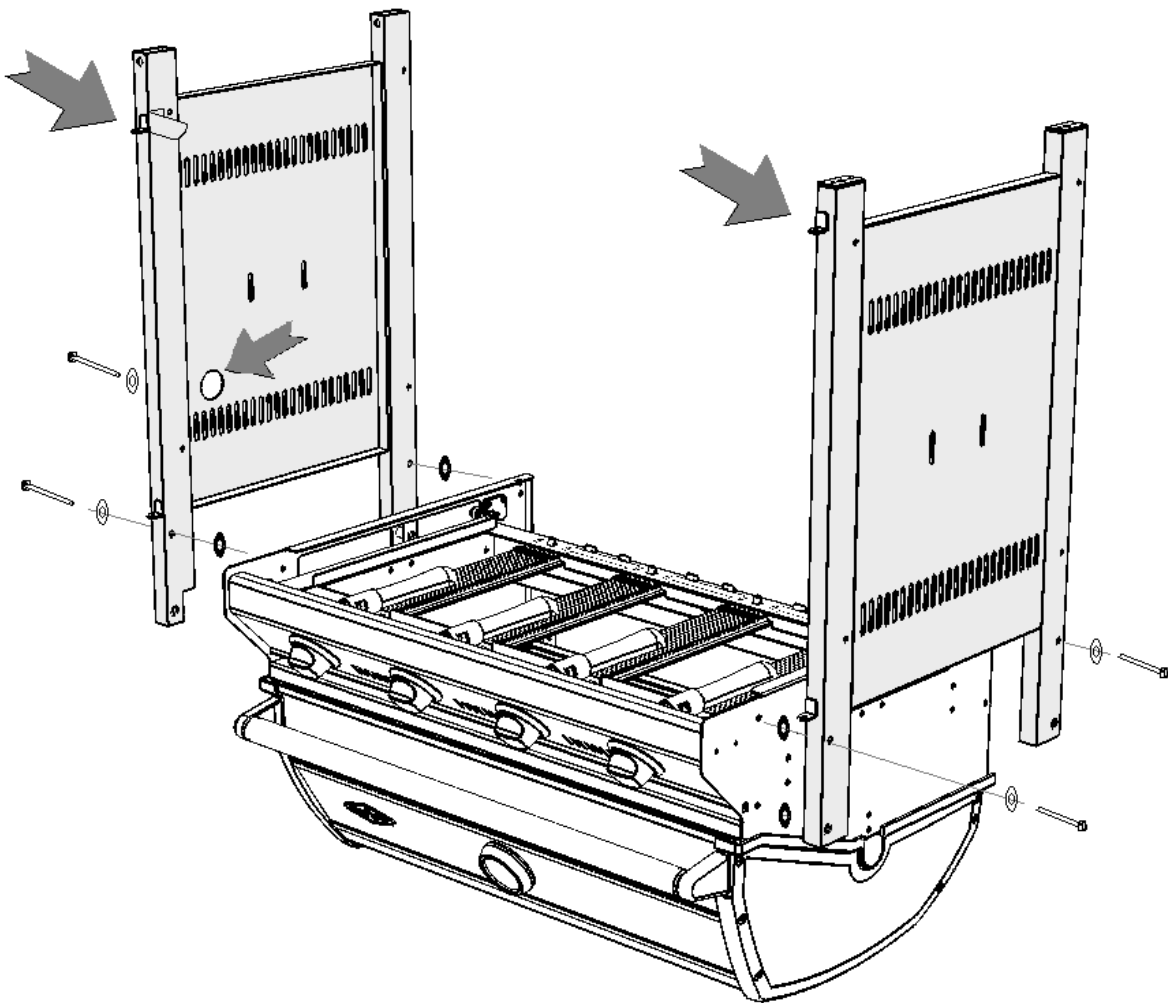
Step 1

Remove all loose parts from inside the BBQ, close the hood, and turn it upside-down on a padded surface (BBQ packaging can be used for this purpose).


Step 2

Use: 4 x 'A', 4 x 'B', 4 x 'C'

Attach the Sides of the trolley (Parts 4, 5) to the BBQ body. Note the direction, position and orientation:



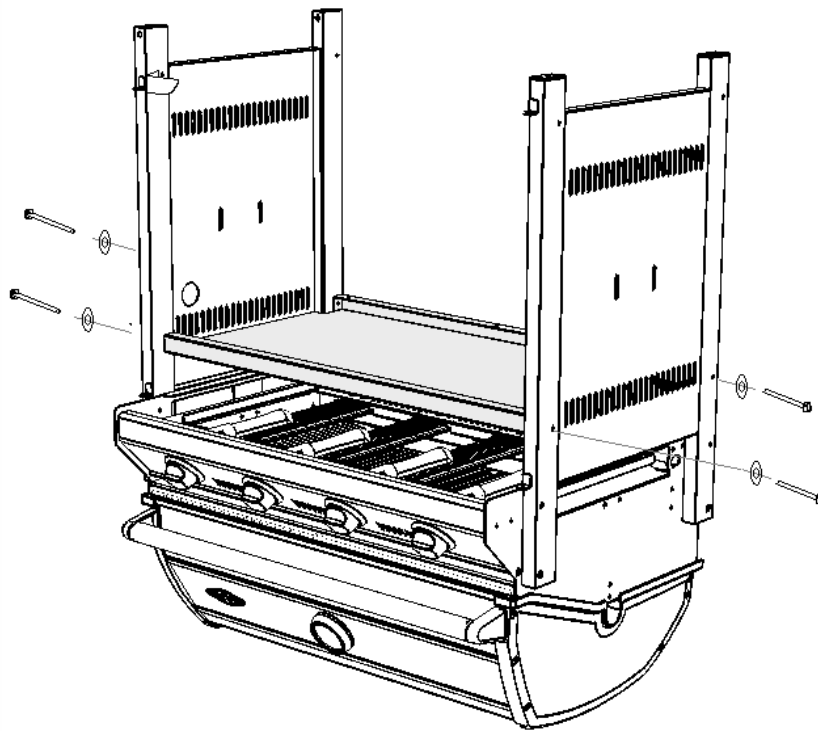
Note: Only put in the 4 lower screws! Turn the screws all the way in, but do NOT tighten them. Other 4 screws and final tightening will only be done after installing the shelf and side-burner at a later stage.



Step 3

Use: 4 x 'A', 4 x 'B'

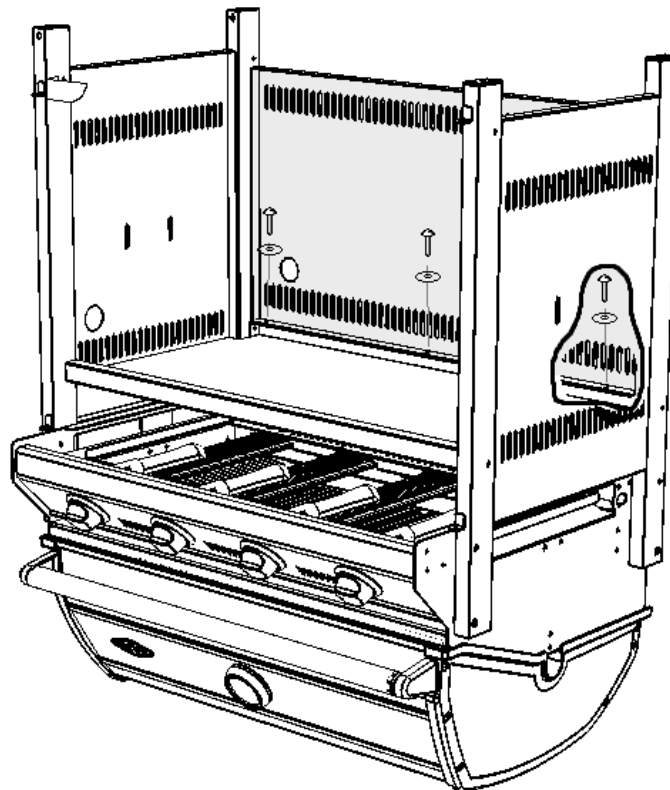
Attach the Top panel (Part 1) to the sides:



Step 4

Use: 3 x 'D', 3 x 'B'

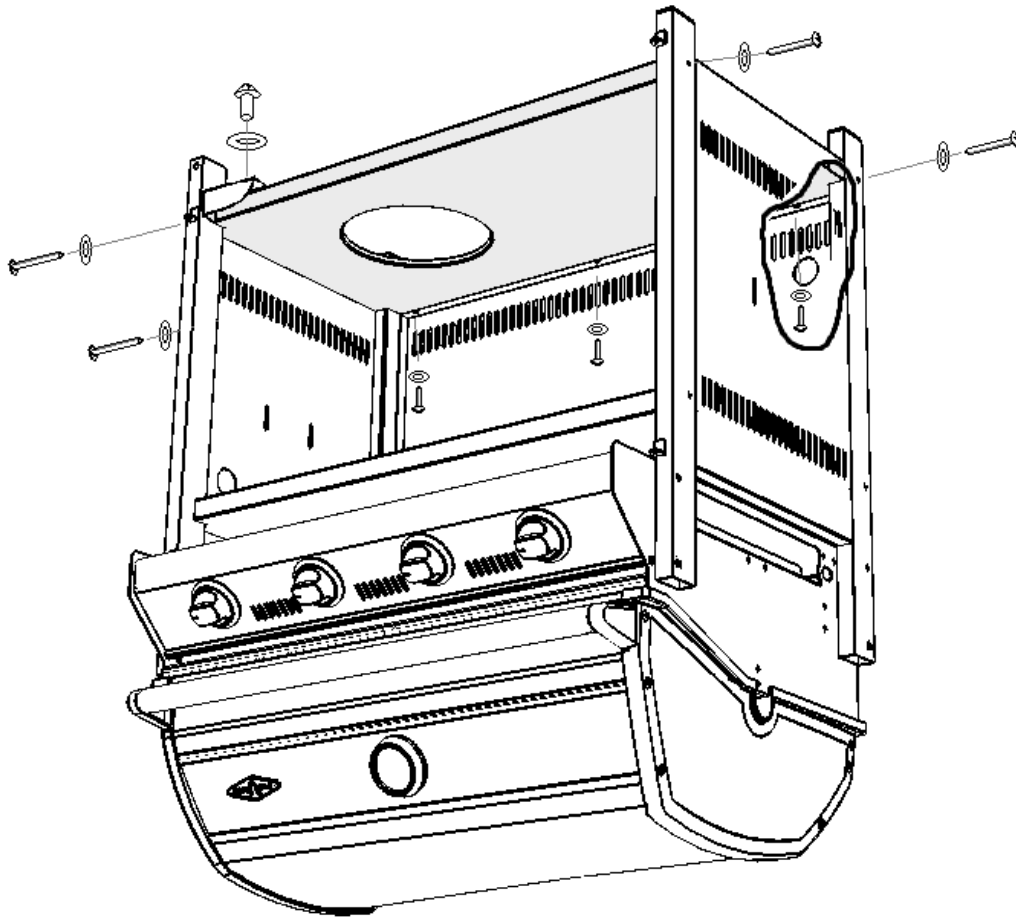
Attach the Back panel (Part 6) to the Top panel:



Step 5

Use: 4 x 'A', 7 x 'B', 3 x 'D', 1 x 'H', 1 x 'I'

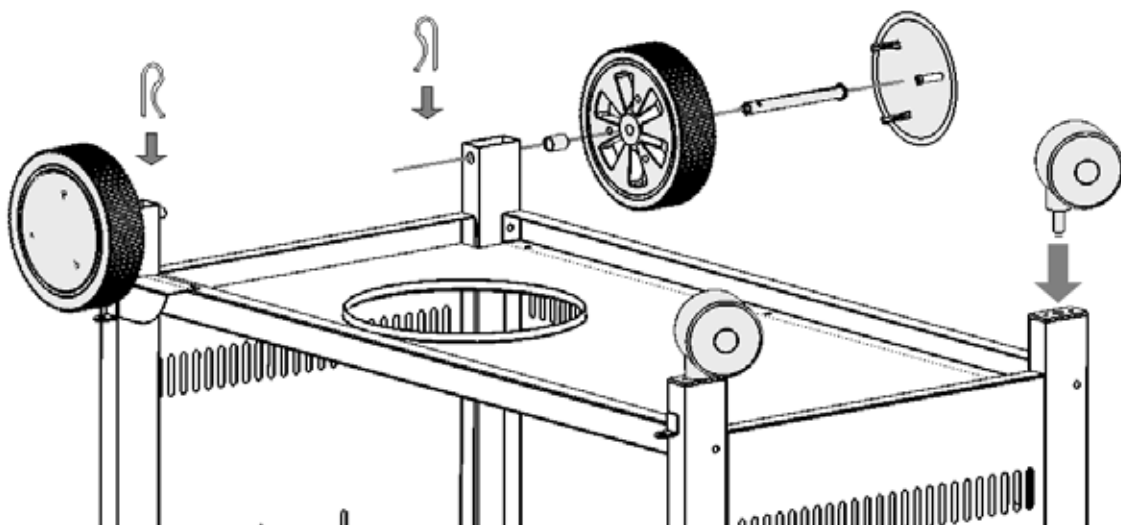
Attach the Base of the trolley (Part 7) to the Sides and Back panel:



Step 6


Use: 2 x 'E'

Fit the Wheels (parts 12, 13) and the castors (parts 11):



Step 7

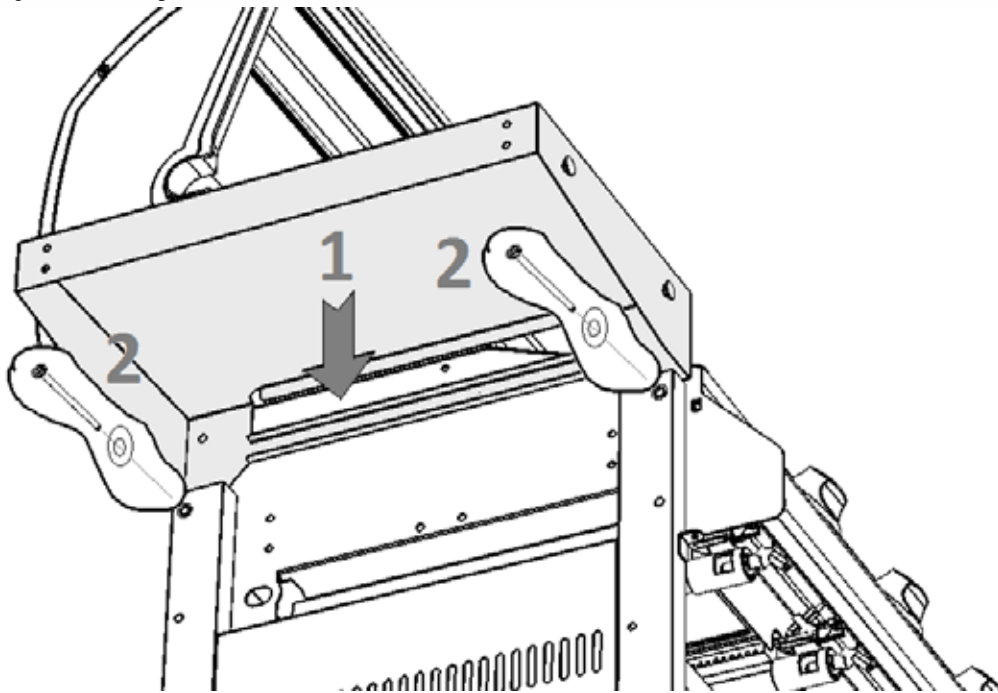
Carefully turn the trolley and Barbecue upright



Step 8

Use: 2 x 'A', 2 x 'B'

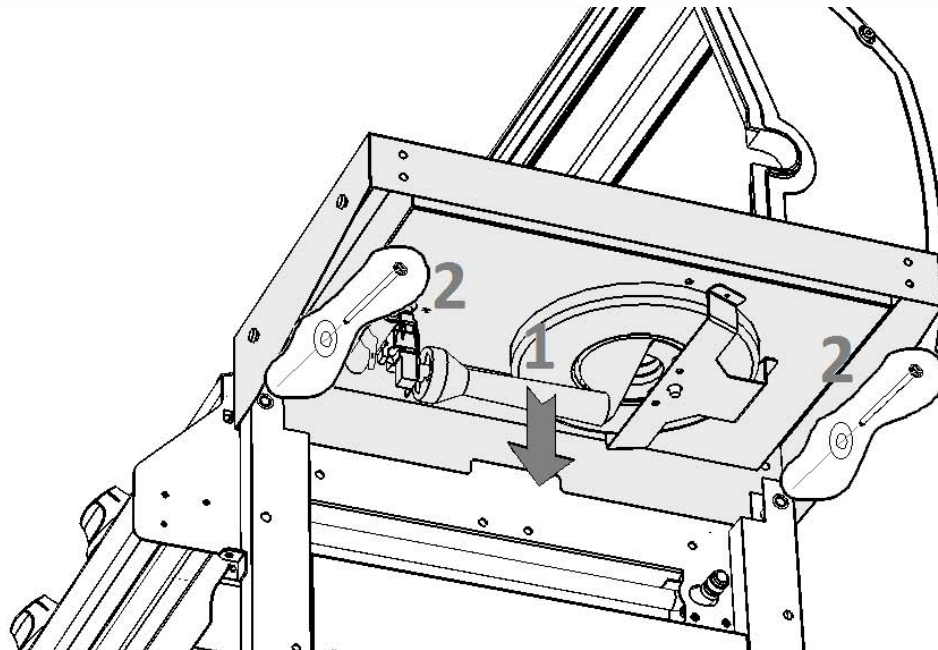
To the Left Hand Side, install the shelf (Part 2). Insert over the two legs and between the barbecue body and the leg, and secure with the screws.



Step 9


Use: 2 x 'A', 2 x 'B'

To the Right Hand Side, install the Side-Burner (Part 3). Insert over the two legs and between the barbecue body and the leg, and secure with the screws.



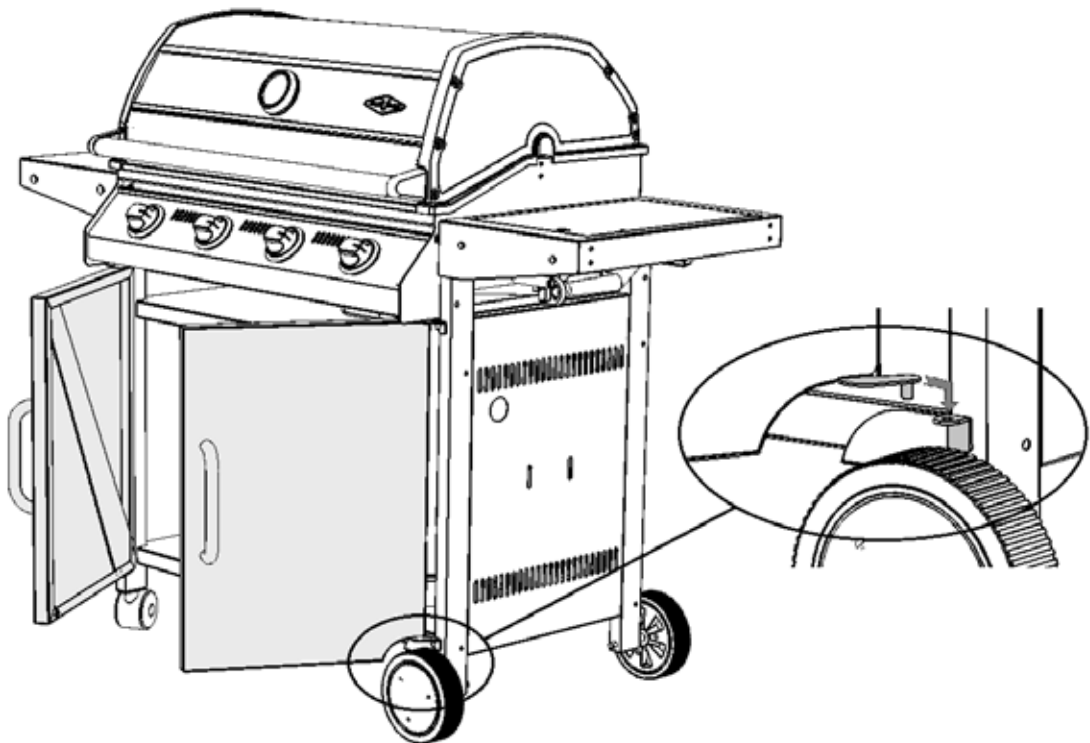
Step 10

Ensure all screws are now tightened (but do not over-tighten)



Step 11

Assemble both doors (Parts 8, 9) over the hinge brackets:

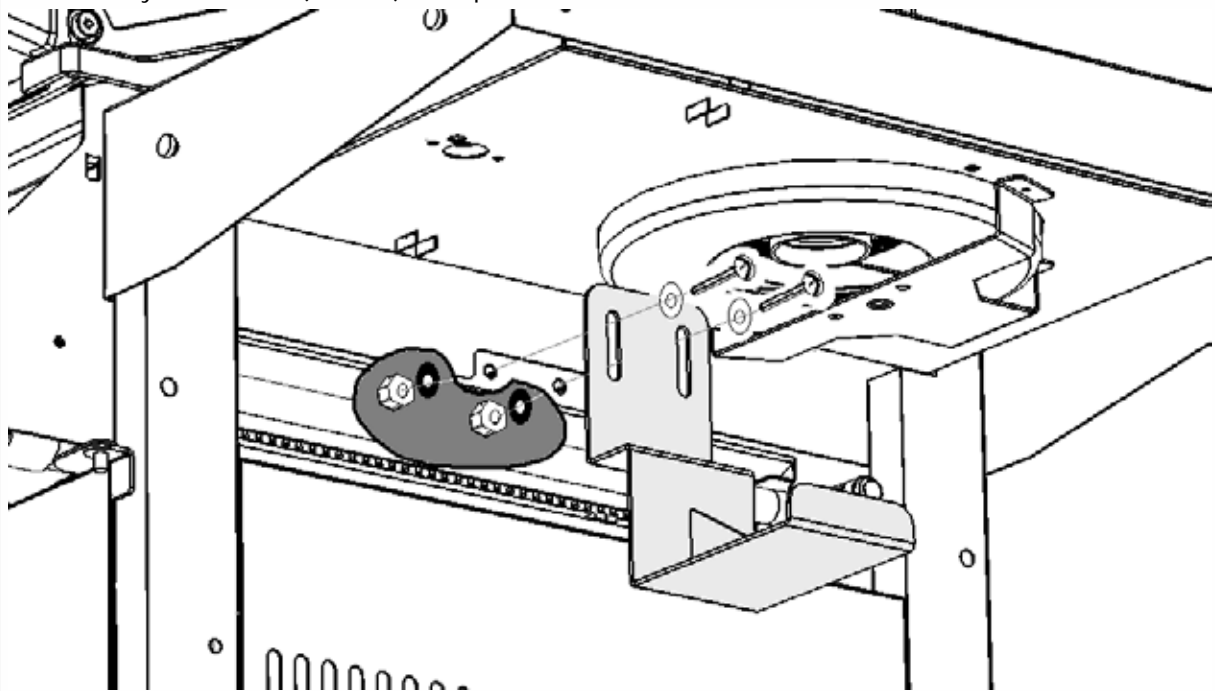



Note: ensure that in each door, both hinge pins are inserted into the brackets simultaneously. It may be required to assemble the handles onto the doors.

Step 12

Use: 2 x 'F', 2 x 'G', 2 x 'B', 2 x 'C'

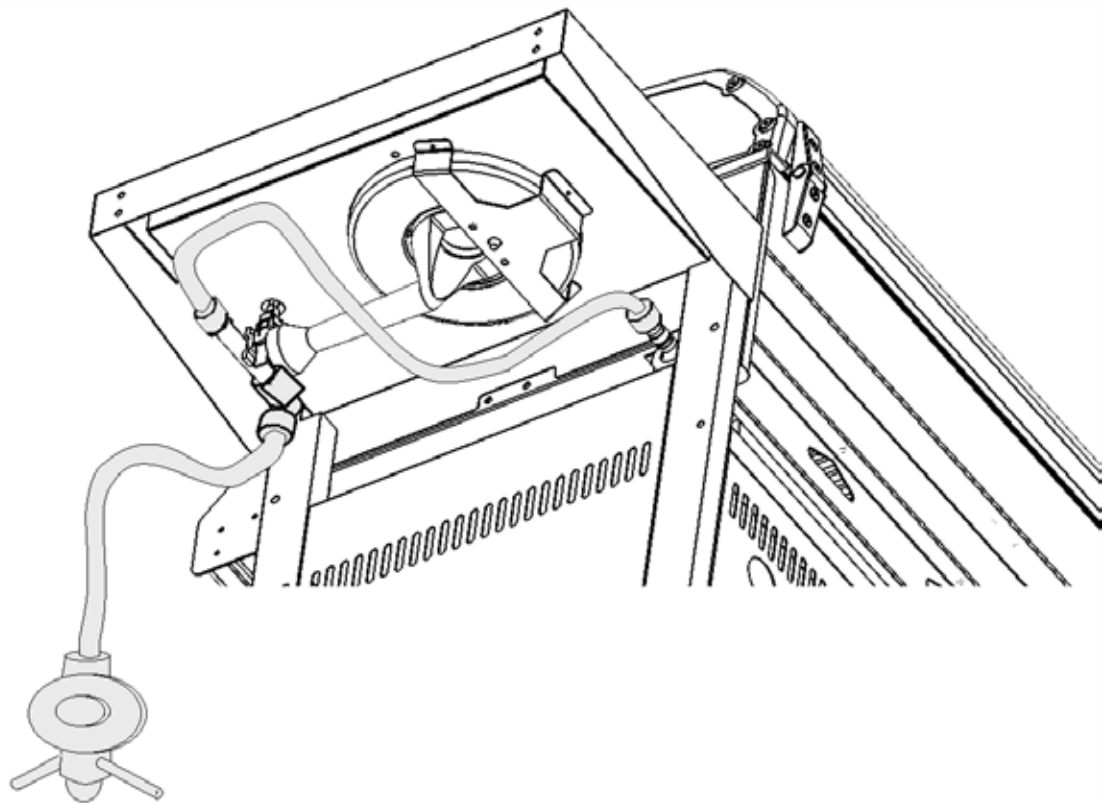
Assemble Cylinder Hook (Part 10), if required:





Step 13

Make Gas connections and perform a leak test (as described in the Barbecue instruction book, P.11).



Warranty

Our goods come with guarantees that cannot be excluded under the Australian Consumer Law.

You are entitled to a replacement or refund for a major failure and for compensation for any other reasonably foreseeable loss or damage. You are also entitled to have the goods repaired or replaced if the goods fail to be of acceptable quality and the failure does not amount to a major failure.

Warranty terms and condition in BBQ Instructions book P. 17 apply to this trolley as well. All parts and workmanship of this trolley are covered for a period of 1 year from date of purchase.

Technical Information

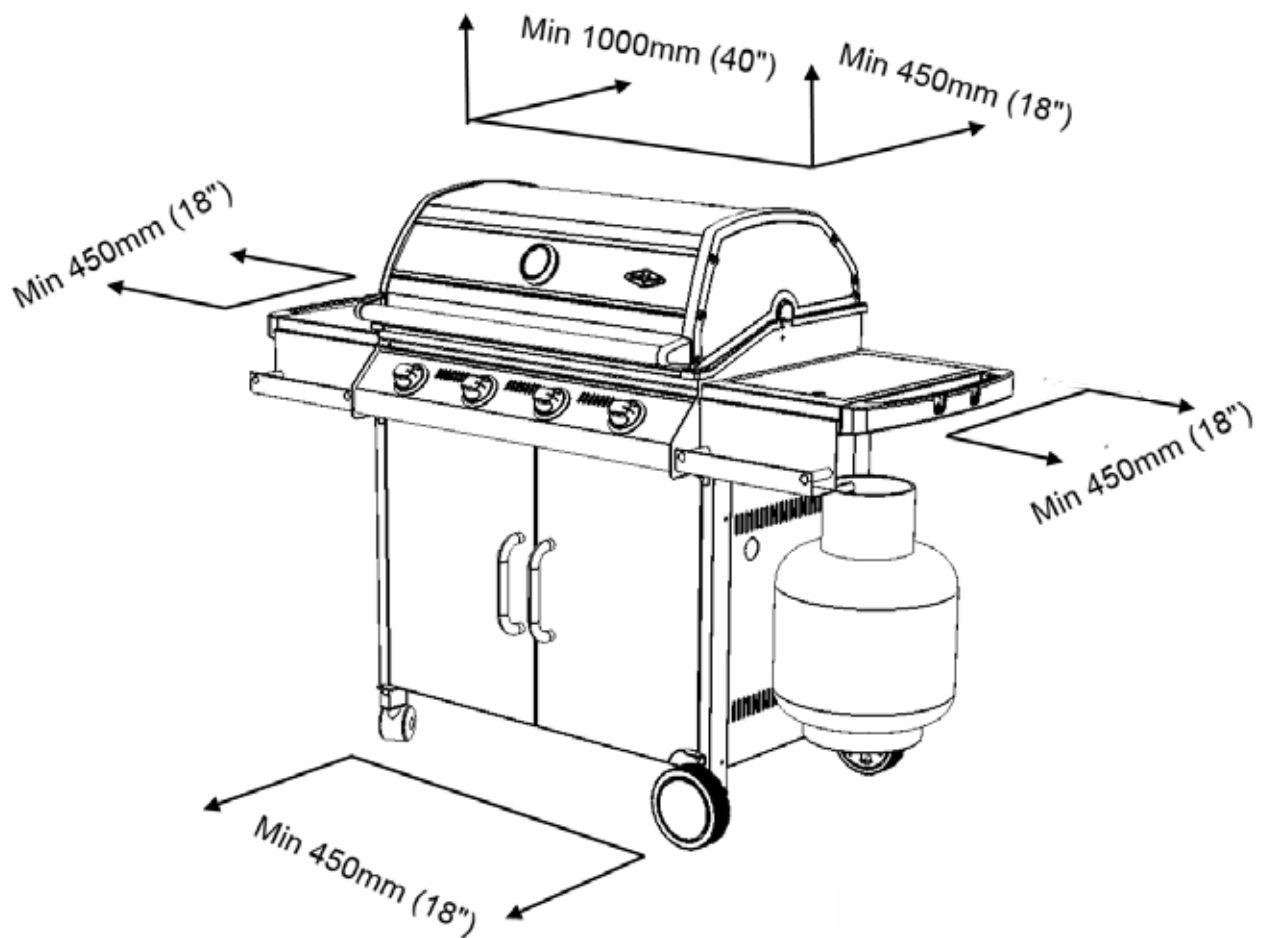


Note: Do not modify this appliance or any of its parts. Any deviation from factory settings could result in a safety hazard.

Side Burner manifold inlet threads are 3/8 SAE male flare fitting.
Nozzle sizes: LPG – 1.05mm, NG – 1.70mm
Australia Input Energy: 15Mj.
North America Input Energy: 14,220BTU.



Distances to Combustible materials (min):



For your records:

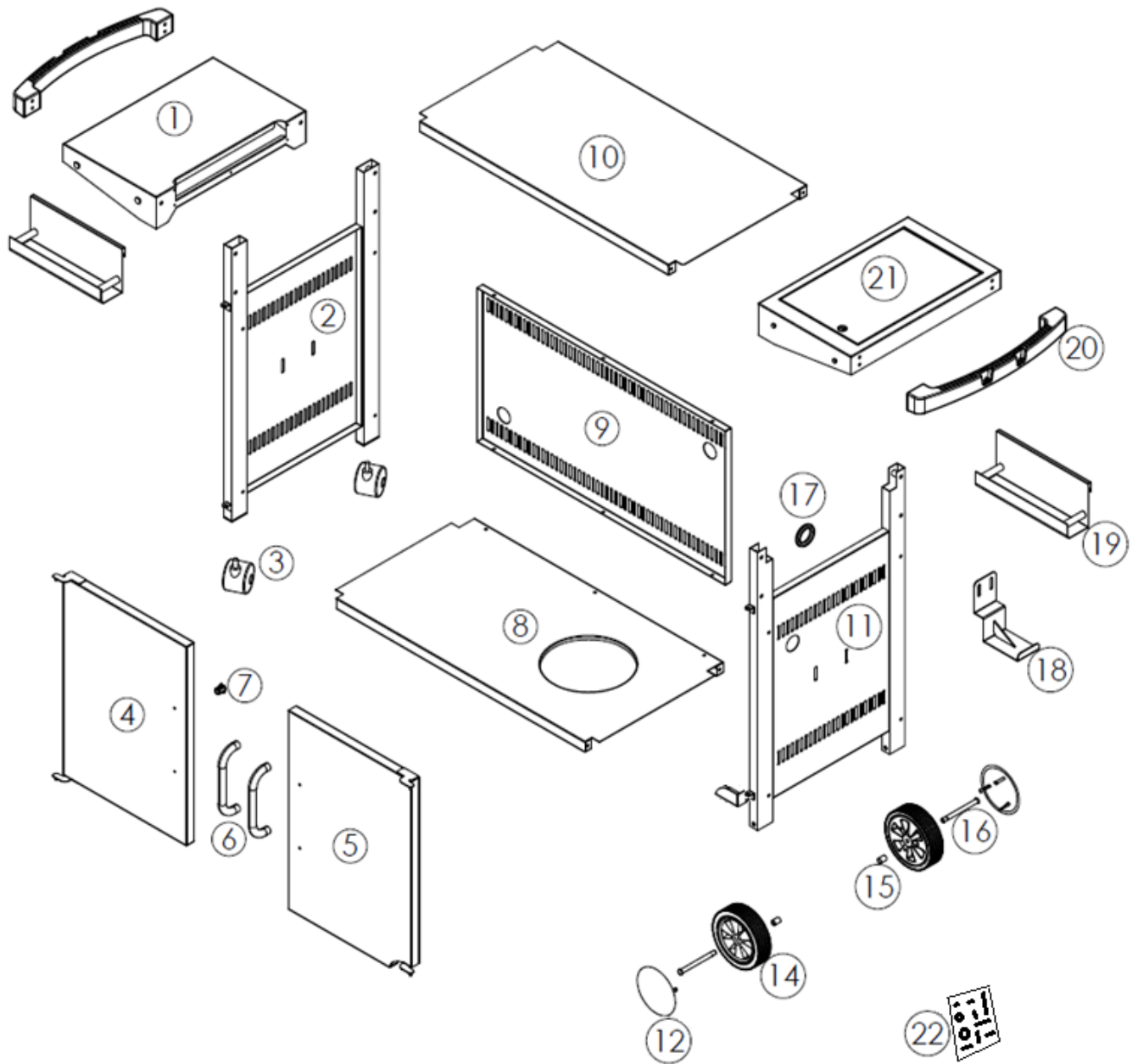
Model Number:

Date of Purchase:

Place where purchased:

Serial Number:

Spare Parts:



Images in this manual are for illustrative purposes only.

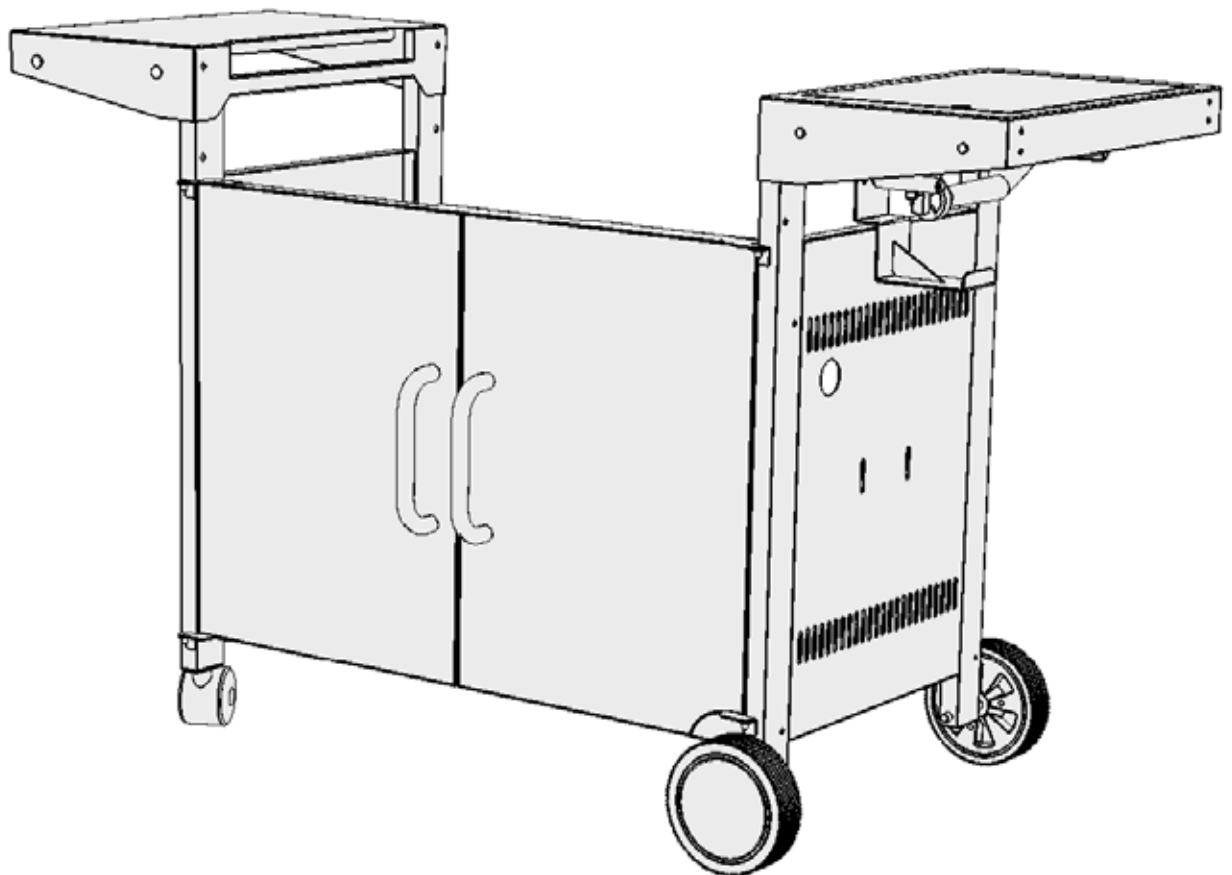
Due to constant improvement, BeefEater advises that changes to the design, material, specifications and product configuration may occur at any time without notice.



Index	Description	P/N		
		#3	#4	#5
1	Side Shelf	DR04-0013	DR04-0013	DR04-0013
2	LHS Side Panel and Legs assy	DR04-0014	DR04-0014	DR04-0014
3	Castor w. brake 75mm	DSI2047	DSI2047	DSI2047
4	LHS Door	DR04-0015-3	DR04-0015-4	DR04-0015-5
5	RHS Door	DR04-0016-3	DR04-0016-4	DR04-0016-5
6	Door handle	DR09-0014	DR09-0014	DR09-0014
7	Door Magnet	DR09-0015	DR09-0015	DR09-0015
8	Base panel	DR04-0017-3	DR04-0017-4	DR04-0017-5
9	Rear panel	DR04-0018-3	DR04-0018-4	DR04-0018-5
10	Top panel	DR04-0019-3	DR04-0019-4	DR04-0019-5
11	RHS Side Panel and Legs assy	DR04-0020	DR04-0020	DR04-0020
12	Hub cap	DSI2083	DSI2083	DSI2083
14	Wheel - 170mm	DSI2046	DSI2046	DSI2046
15	Axle Wheel spacer	DSI2030	DSI2030	DSI2030
16	Axle	DSI2037	DSI2037	DSI2037
17	Grommet	DSI2698	DSI2698	DSI2698
18	Cylinder hook	DR04-0037	DR04-0037	DR04-0037
19	Condiment tray (Optional)	DR04-0038	DR04-0038	DR04-0038
20	Side Handle (Optional)	DR06-0011	DR06-0011	DR06-0011
21	Side Burner	DR04-0039	DR04-0039	DR04-0039
22	Bolt pack	DR09-0016	DR09-0016	DR09-0016
	Cylinder Strap	DSI2695	DSI2695	DSI2695
	Instruction Book	Disc_CabTrol_Inst	Disc_CabTrol_Inst	Disc_CabTrol_Inst



Discovery Series Cabinet Trolley



Disc_CabTrol_Inst V0

Woodland Home Products
P.O. Box 236, Chester Hill, NSW, Australia 2162
Phone: +61 2 9724 8888 Facsimile: +61 2 9724 8899
E-mail: mail@beefeaterbbq.com
Website: www.beefeaterbbq.com