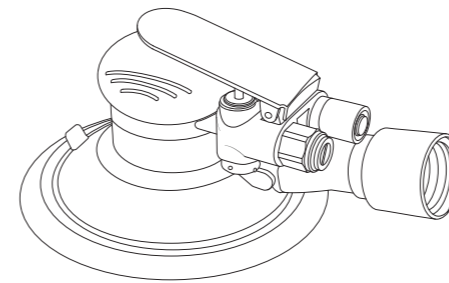


6" RANDOM ORBITAL SANDER



SPECIFICATIONS

Free Speed:	12000 RPM
Pad Size:	6" (150 mm)
Orbit Diameter:	3/16" (5 mm)
Spindle Thread:	5/16"- 24
Air Inlet:	1/4" NPT
Hose Size:	3/8" (10 mm) I.D.
Air Pressure:	90 P.S.I. (6.2 Bar)
Air Consumption:	2 CFM (57 L/Min)

IMPORTANT SAFETY INSTRUCTIONS

WARNING

For your own safety, read and understand all warnings and operating instructions before using any tool or equipment.

WARNING

Improper operation or maintenance of this product could result in serious injury and property damage. When using air tools, basic safety precautions should always be followed to reduce the risk of personal injury.

WARNING

Some dust created by operation of power tool contains chemicals known to the State of California to cause cancer, birth defects or other reproductive harm. To reduce your exposure to these chemicals, work in a well ventilated area and work with approved safety equipment. Always wear OSHA/NIOSH approved, properly fitting face mask or respirator when using such tools.

WARNING

Failure to follow these rules may result in serious personal injury. Remember that being careless for even a fraction of a second can result in severe personal injury.

WARNING

- Work in a clean, well ventilated area free of combustible materials.
- Avoid prolonged use: repetitive motion or exposure to vibration may be harmful to your hands or arms. Use gloves to provide extra cushion, take frequent rest periods, and limit daily time of use. If numbness, tingling, pain or whitening of the skin occurs, stop using the tool and consult a physician.
- Always wear safety glasses and ear protection during operation. Always wear approved safety glasses with shields. Always wear approved hearing protection.
- Do not operate power tools in explosive atmospheres, such as in the presence of combustible liquid, gases or dust. Power tools create sparks which may ignite the dust or fumes
- Do not exceed maximum air pressure of 90 PSI or as stated on nameplate.
- Use compressed air only.
- Read all manuals included with this product carefully.
- Disconnect the air supply before making any adjustments, changing accessories or storing the tool. Always disconnect the air supply before performing any inspection, maintenance or tool cleaning.
- Do not wear loose fitting clothing or apparel which contains loose straps or ties, etc. Which could become entangled in moving parts of the tool and results in serious personal injury.
- Do not wear jewelry, watches, identifications, bracelets, necklace, etc. When operating any tool, they may become caught in moving parts and result in serious injury.
- Do not depress trigger when connecting the air supply hose.
- Use only accessories recommended by the manufacturer for this tool.
- Do not use damaged or worn attachments.
- Do not leave the tool unattended when it is connected to an air supply.
- Secure and support the work piece to a stable platform.
- Do not force the tool. Use the correct tool for your application. Using the correct tool which is specifically designed for a select job will provide better tool performance and make the job easier.
- Never trigger the tool when not applied to a work object Attachments must be securely attached. Loose attachments can cause serious injury.
- Do not put hands near or under moving parts.

POWERTEC

Southern Technologies, LLC
3816 Hawthron CT,
Waukegan, IL 60087

Visit us on the web at powertecproducts.com



You will need this manual for safety instructions, operating procedures, and warranty. Put it and the original sales invoice in a safe, dry place for future reference.

- The operator must maintain a secure body position and have a firm grip and footing when using this tool.
- This tool is not electrically insulated. Never use the tool if there is any chance of it coming into contact with live electricity.

CAUTION

Think safety! Safety is a combination of operator common sense and alertness at all times when tool is being used.

SAVE ALL WARNINGS AND INSTRUCTIONS FOR FUTURE REFERENCE

AIR SUPPLY SETUP AND CONNECTION

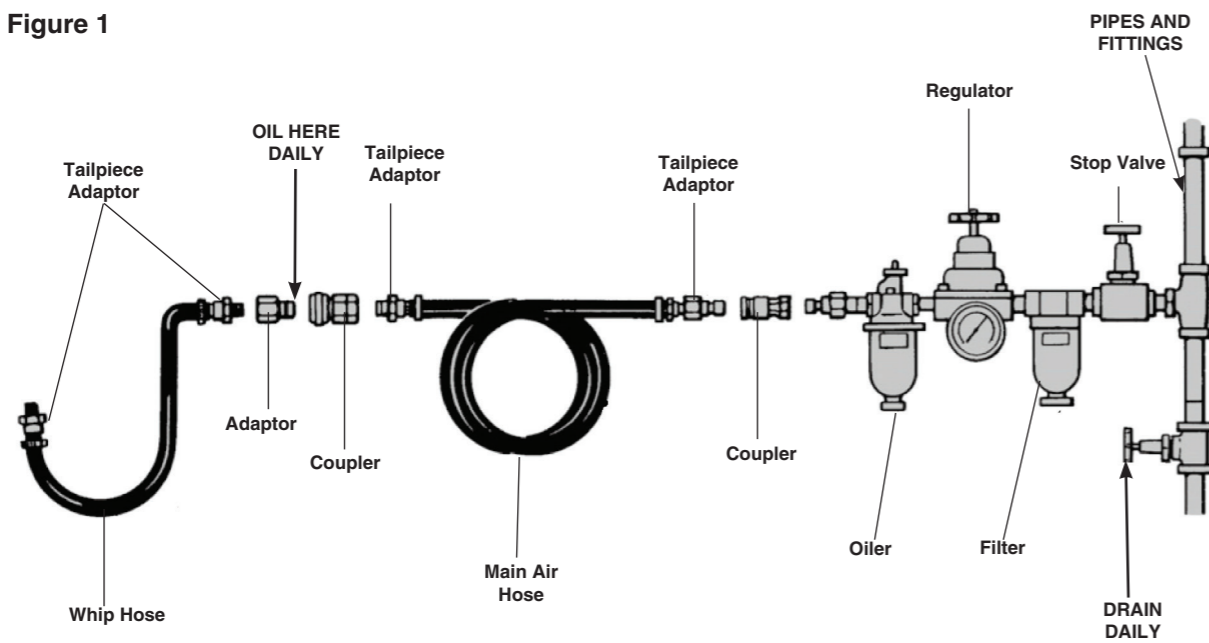
Refer to Figure 1

- Figure 1 shows the recommended air supply hook-up.
- The use of air line lubricators and air line filters is recommended to prevent water in the line that can damage the tool. Drain the air tank daily. Clean the air inlet filter screen on at least a weekly schedule to remove accumulated dirt or other matter that can restrict air flow.
- The tool's air inlet used for connecting an air supply has a standard 1/4" NPT American thread.
- If an air line lubricator is not used, before operating the tool add a few drops of Pneumatic Tool Oil into the tool inlet. Repeat each hour of constant use.

CAUTION

This air tool requires lubrication BEFORE initial use and before and after each additional use.

Figure 1



OPERATION

CAUTION

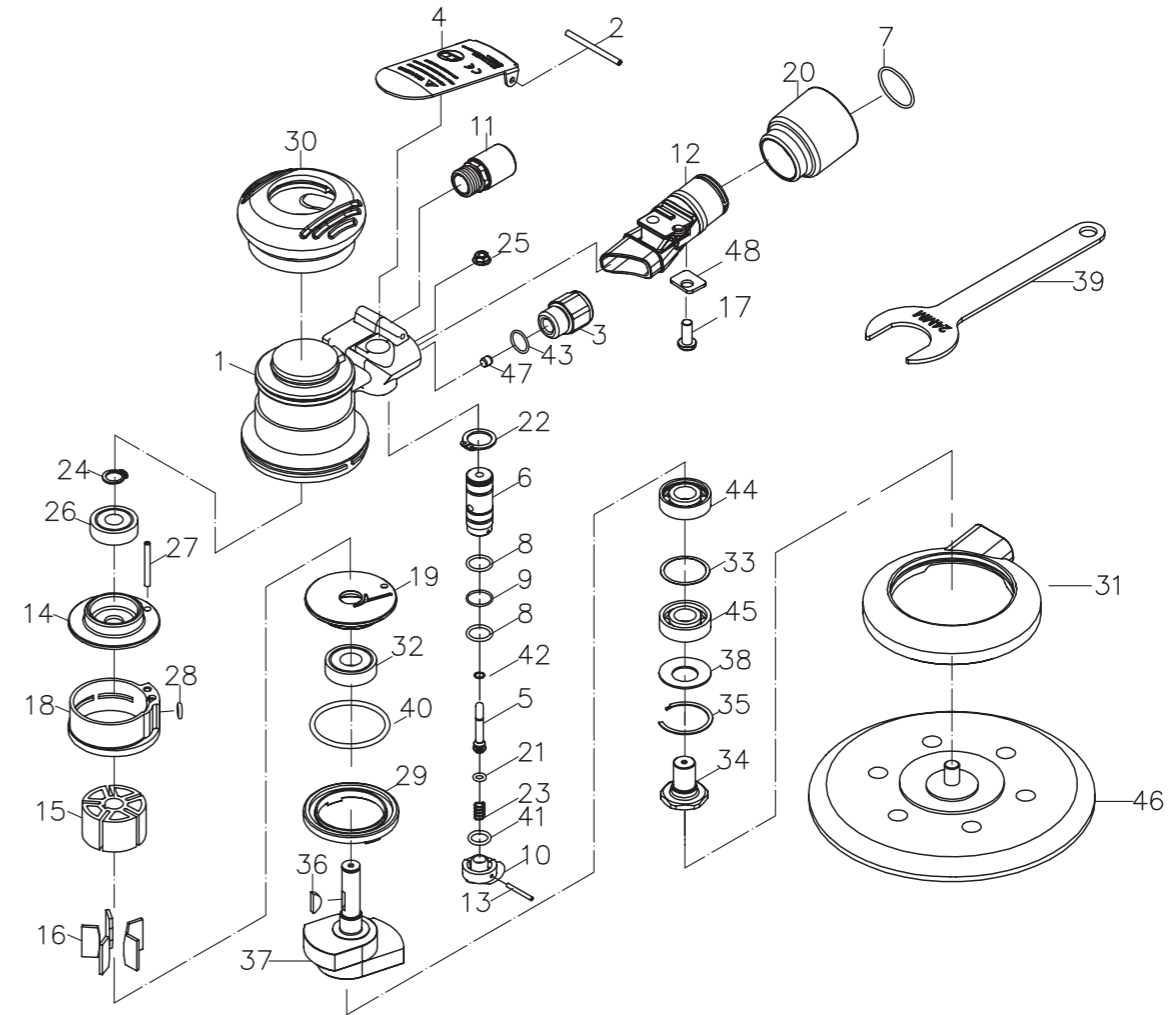
Never mount a grinding wheel on a sander. A grinding wheel that bursts can cause very serious injury or death when not properly guarded.

- Ensure the sanding pad is fixed securely to the tool. Use the supplied wrench to hold the shaft nut in place while turning the sanding pad clockwise to tighten and counterclockwise to loosen.
- Select the correct 6" sanding disc for the job. Use 6" hook and loop sanding disc.
- Connect to suitable air supply as recommended.

CAUTION

Risk of unsafe operation. Firmly grasp air hose with hand when installing or disconnecting to prevent hose whip.

- Touch the sander lightly to the work and allow the sanding disc to cut. Take care when sanding around sharp edges and surfaces to avoid the disc snagging, the disc may be brought to an abrupt stop or considerably slowed, causing the tool to kick in the hands.
- Do not continue to use sanding discs that are worn or clogged. Do not use undersized or oversized sanding discs. The disc should be no more than 1/4" larger in diameter than the sanding pad, and not smaller than the sanding pad.



Key#	Part#	Description	Key#	Part#	Description
1	AS631601	Housing	25	AS631625	Nut (M5*0.8)
2	AS631602	Spring Pin (3*40L)	26	AS631626	Ball Bearing (6000zz)
3	AS631603	Air Inlet	27	AS631627	Spring Pin (3*28)
4	AS631604	Throttle Lever	28	AS631628	O-Ring (5*2)
5	AS631605	Shaft	29	AS631629	Lock Ring
6	AS631606	Bushing	30	AS631630	Grip Hat
7	AS631607	O-Ring (21.5*1.5)	31	AS631631	Shroud
8	AS631608	O-Ring 2 (10.7*1.5)	32	AS631632	Ball Bearing (6001zz)
9	AS631609	O-Ring (10.5*1)	33	AS631633	Washer
10	AS631610	Regulator	34	AS631634	Shaft
11	AS631611	Silencer	35	AS631635	Snap Ring
12	AS631612	Adapter	36	AS631636	Key
13	AS631613	Spring Pin (2*18L)	37	AS631637	Balancer Shaft
14	AS631614	Rear End Plate	38	AS631638	Washer (3*13)
15	AS631615	Rotor	39	AS631639	Spanner
16	AS631616	Rotor Blade(5)	40	AS631640	O-Ring (39.4*3.1)
17	AS631617	Screw (M5*12L)	41	AS631641	O-Ring (8.8*1.7)
18	AS631618	Cylinder	42	AS631642	O-Ring (2*1)
19	AS631619	Front End Plate	43	AS631643	O-Ring (13.5*1.5)
20	AS631620	Swivel Exhaust	44	AS631644	Ball Bearing (6001)
21	AS631621	O-Ring (3.68*1.78)	45	AS631645	Ball Bearing (6001P)
22	AS631622	Retaining Ring (STW-14)	46	AS631646	Pad (6")
23	AS631623	Spring	47	AS631647	Stopper
24	AS631624	Retainer Ring	48	AS631648	Washer