



Dirt Devil® Endura Upright

Full Size Upright

My Model is: _____



1·2·3...

USER MANUAL

#961151970 / R4 11/19

©2019 All rights reserved

Français - page 21

Español - página 41



REPLACEMENT PARTS

- BELT STYLE 5
- PRE-MOTOR FILTER F112
- EXHAUST FILTER F111



LET'S GO.™

HI. WELCOME.

Congrats on purchasing your new Dirt Devil® Upright Carpet + Hard Floor Cyclonic Upright Vacuum. Inside, you'll find everything you want to know from the tools to how to.

So what are you waiting for? LET'S GO.™



PRODUCT REGISTRATION

Warranty Registration

Be sure to register your product online at www.DirtDevil.com or call 1-800-321-1134 to register by phone.

Hint: Attach your sales receipt to this Owner's manual. Verification of date of purchase may be required for warranty service of your Dirt Devil® product.

For quick reference, please record your product information below.

Model #: _____

Mfg. Code: _____

(Mfg. code located on the back or bottom of product)

Find GENUINE Replacement Parts at www.dirtdevil.com



This product uses the following parts:

BELT STYLE _____ 5

PRE-MOTOR FILTE _____ F112

EXHAUST FILTER _____ F111

TABLE OF CONTENTS



1·2·3...

Quick Start Assembly ————— 6-7

Height Adjust ————— 8

Cord Release ————— 8



Tools ————— 9-11

How to ————— 12-17



Troubleshooting ————— 18



Limited Warranty ————— 19

WARNING

IMPORTANT: READ CAREFULLY BEFORE ASSEMBLY AND USE. THIS PRODUCT IS INTENDED FOR HOUSEHOLD USE ONLY. IF USED COMMERCIALY WARRANTY IS VOID.

IMPORTANT SAFETY INSTRUCTIONS

When using an electrical appliance, basic precautions should always be followed, including the following:

READ ALL INSTRUCTIONS BEFORE USING THIS APPLIANCE.

WARNING: TO REDUCE THE RISK OF FIRE, ELECTRIC SHOCK OR INJURY:

- Fully assemble before operating.
- Operate cleaner only at voltage specified on data plate on bottom of cleaner.
- Do not leave appliance when plugged in. Unplug from outlet when not in use and before cleaning or servicing.
- Do not use outdoors or on wet surfaces.
- Do not allow to be used as a toy. Not intended for use by children age 12 and under. Close attention is necessary when used by or near children. To avoid injury or damage, keep children away from product, and do not allow children to place fingers or other objects into any openings.
- Use only as described in this manual. Use only manufacturer's recommended attachments.
- Do not use with damaged cord or plug. If appliance is not working as it should, has been dropped, damaged, left outdoors, or dropped into water, return it to a service center for inspection prior to continuing use.
- Do not pull or carry by cord, use cord as handle, close a door on cord, or pull cord around sharp edges or corners. Do not place product on cord. Do not run appliance over cord. Keep cord away from heated surfaces.
- Do not unplug by pulling on cord. To unplug, grasp the plug, not the cord.
- Do not handle plug or appliance with wet hands.
- Do not put any objects into openings. Do not use with any opening blocked; keep free of dust, lint, hair, and anything that may reduce air flow.
- Keep hair, loose clothing, fingers, and all parts of body away from openings and moving parts. Brushroll continues to rotate when in upright position.
- Turn off all controls before unplugging.
- Use extra care when cleaning on stairs. To avoid personal injury or damage, and to prevent the cleaner from falling, always place cleaner at bottom of stairs or on floor.
Do not place cleaner on stairs or furniture, as it may result in injury or damage.
- Do not use to pick up flammable or combustible liquids, such as gasoline, or use in areas where they may be present.
- Unplug before connecting Turbo Tool.
- Do not pick up anything that is burning or smoking, such as cigarettes, matches, or hot ashes.
- Do not use without filters and/or dirt cup in place.



CAUTION: TO REDUCE THE RISK OF DAMAGE:

- Avoid picking up hard, sharp objects with this product, as they may cause damage.
- Store appropriately indoors in a dry place. Do not expose machine to freezing temperatures.
- Do not use sharp objects to clean out hose as they can cause damage.
- With brushroll on, do not allow cleaner to sit in one location for an extended period of time, as damage to floor can result.
- Brushroll continues to turn while product is turned on and the handle is in the upright position. To avoid damage to carpet, rugs, and flooring, avoid tipping cleaner or setting it on furniture, fringed area rugs or carpeted stairs during tool use.

SAVE THESE INSTRUCTIONS



WARNING:

To reduce the risk of electric shock, this appliance has a polarized plug (one blade is wider than the other). This plug will fit in a polarized outlet only one way. If the plug does not fit fully in the outlet, reverse the plug. If it still does not fit, contact a qualified electrician to install the proper outlet. Do not change the plug in any way.



NOTICE

A THERMAL PROTECTOR HAS BEEN DESIGNED INTO YOUR CLEANER TO PROTECT IT FROM OVERHEATING. WHEN THE THERMAL PROTECTOR ACTIVATES THE CLEANER WILL STOP RUNNING.

If this happens proceed as follows:

1. Turn cleaner OFF and unplug it from the electrical outlet.
2. Empty dirt cup.
3. Inspect the nozzle inlet, hose connector, hose, dirt cup inlet, cyclonic filter, rinsable filter, and HEPA filter. Clear obstructions if present.
4. When cleaner is unplugged and motor cools for 30 minutes, the thermal protector will deactivate and cleaning may continue.

If the thermal protector continues to activate after following the above steps, your cleaner needs servicing.

QUICK START

1



**INSERT HANDLE WAND
INTO TOP OF VAC.
SECURE YOUR HOSE
HERE.**

2

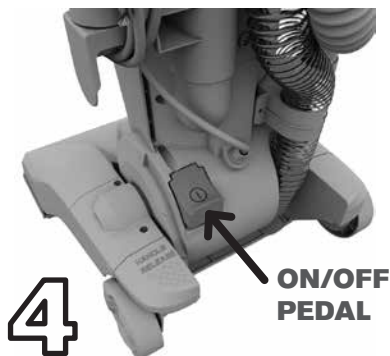


**NOW, WRAP THE CORD
AROUND CORD HOOKS! ***

*Not all models have this feature



**PUSH HERE AND PULL
HANDLE BACKWARDS
TO RECLINE.**



**PLUG IN THE CORD AND
PRESS HERE TO POWER UP.**

**YOUR DIRT DEVIL
IS READY
TO CLEAN!
LET'S GO.™**



NEED HELP?

Go to dirtdevil.com/support or
contact our Customer Service
Department at **(800) 321-1134**
8:00 a.m. - 7:00 p.m. EST Mon. - Fri.
Pick up the conversation on...

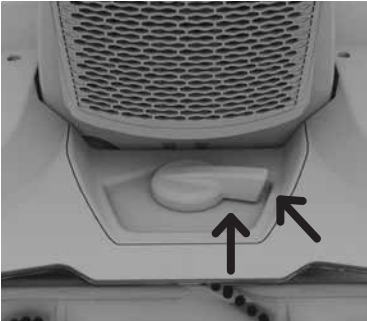
 [Facebook.com/DirtDevil](https://www.facebook.com/DirtDevil)

 [Twitter@DirtDevil](https://twitter.com/DirtDevil)

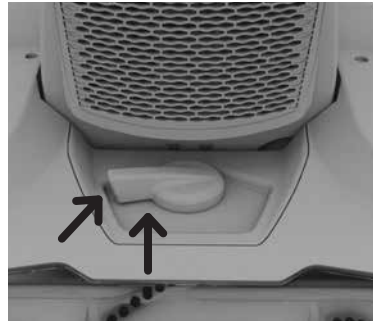
HEIGHT ADJUST

THE FOLLOWING HEIGHT SETTINGS ARE RECOMMENDED FOR MAXIMUM CLEANING PERFORMANCE.

1. Low Settings - Two Positions:
Great for tile, hardwood, linoleum
and low pile carpets.



2. High Settings - Two Positions:
Great for plush and shag carpets.



CORD RELEASE AND STORAGE*



Prior to using, grasp the end of the plug and pull to release the cord from the cord reel until red tape is reached.



To return cord for storage, hold plug and press down Cord Release Pedal on side of cord reel.

⚠ IMPORTANT ⚠

When pulling on the cord, yellow tape will identify when the cord is almost fully extended. When red tape is visible on the cord, the cord has reached its full length. (Do not pull the cord past the red tape.)

⚠ WARNING ⚠

Hold plug when rewinding onto cord reel. Do not allow plug to whip when rewinding.

*Not all models have these features

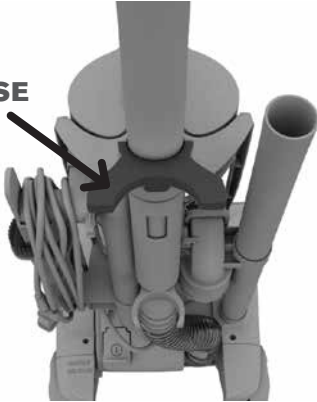
TOOLS

QUICK RELEASE CLEANING WAND*

1. Press the wand release button.

2. Pull wand up & out and insert
hose to wand.

WAND
RELEASE



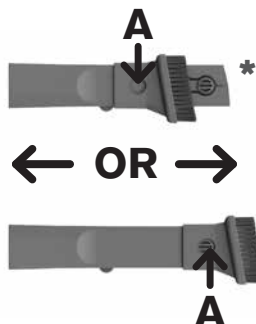
3. Push the tools on the wand*
for convenient cleaning.
When you're done, twist &
pull to take them off.



*Accessories not included on all models.

TOOLS

COMPLETE ON-BOARD TOOLKIT



2-IN-1 COMBO TOOL: Use the Crevice Tool for tight spaces, corners and along stair edges and baseboards. Try the Dusting Brush for furniture, table tops, lamps, blinds and more. Press the lock button (A) down and slide to switch between modes.



EXTENSION WAND: Attach to cleaning wand for longer reach on above and hard floor cleaning.

⚠ CAUTION

Not to be used for grooming a pet.

⚠ WARNING

Unplug vacuum before connecting hose, wand or tools.



TURBO TOOL®: For upholstered furniture, draperies, mattresses and stairs.

*Accessories not included on all models.

TOOLS

ABOVE FLOOR CLEANING

1. Remove Quick Release Cleaning Handle Wand for convenient above floor cleaning.
2. Insert hose into handle wand.
3. Attach extension wand and 2-in-1 tool for improved cleaning.



CAUTION

Use extra care when cleaning on stairs. To avoid personal injury or damage, and to prevent the cleaner from falling, always place cleaner at bottom of stairs or on floor. Do not place cleaner on stairs or furniture, as it may result in injury or damage. When using tools, always ensure handle is in upright position.

*Accessories not included on all models.

HOW TO

⚠️ WARNING

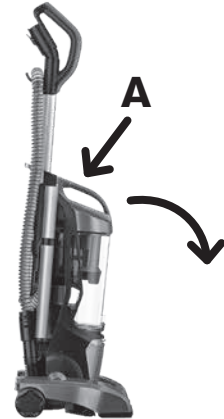
To reduce the risk of personal injury - Unplug before cleaning or servicing. Do not use vacuum without dirt cup or filters in place.

EMPTY THE DIRT CUP

1. Dump the dirt when it's full.

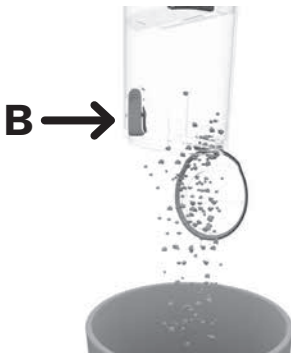


2. Push the release button (A) then pull out the dirt cup.



This would be a good point to check the condition of your filter. Dirty? Check out page 13 for cleaning steps.

3. Now ditch the dirt by pushing the lower button (B). Give it a wipe to remove dust.



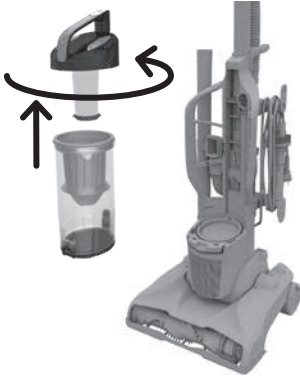
4. Place back in bottom first. Push the top of the cup against the back panel and it'll click into place.



HOW TO

CLEAN THE RINSABLE FILTER

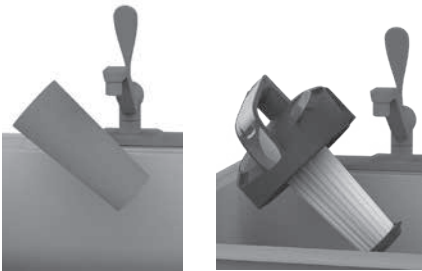
1. Remove the dirt cup. Twist the handle to remove the top from the dirt cup. Gently remove the filter from the the handle.



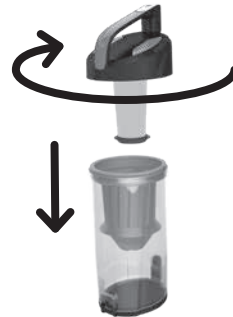
2. Tap clean into a trashcan.



3. All pieces are rinsable. Allow to dry 24 hours before using.



4. TWIST the filter back into the handle, place the handle back on the dirt cup and twist to close. Replace the dirt cup into the vacuum.



HOW TO

WARNING

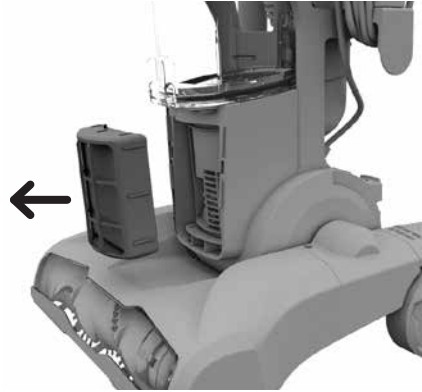
To reduce the risk of personal injury - Unplug before cleaning or servicing. Do not use vacuum without dirt cup or filters in place.

CLEAN THE EXHAUST FILTER*

1. Push the tab on the front of the cover to pivot out.



2. Pull out the filter, rinse dirt from both sides, and let air dry for 24 hours before reinstalling or until dry.



3. Put the dry filter back. Now line up the filter cover with the bottom tabs first and then snap back into place.



For replacement filter F111 visit dirtdevil.com or call us at (800) 321-1134.

***NOT ALL MODELS HAVE THIS FEATURE**

HOW TO

WARNING

To reduce the risk of personal injury - Unplug before cleaning or servicing. Do not use vacuum without dirt cup or filters in place.

CLEAN THE CYCLONIC ASSEMBLY

1. Twist counter-clockwise to open the dirt cup. Pull cyclonic assembly out of dirt cup.



2. Use the Dusting Tool to clean the cyclonic assembly.*



*Accessories not included with all models.

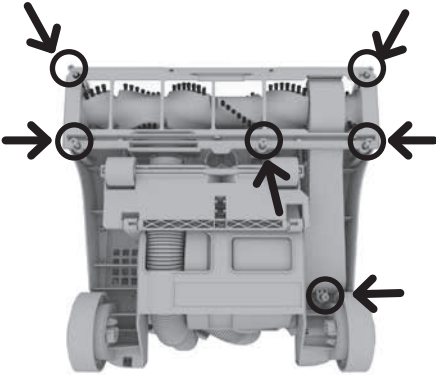
HOW TO

CAUTION

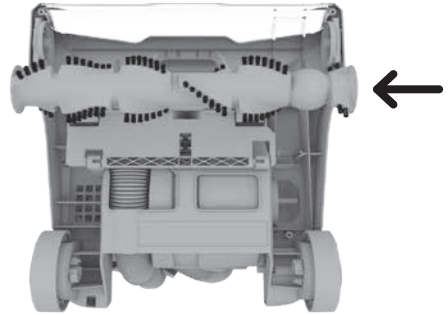
To reduce the risk of injury from moving parts - Unplug before servicing.

CLEAN THE BRUSHROLL

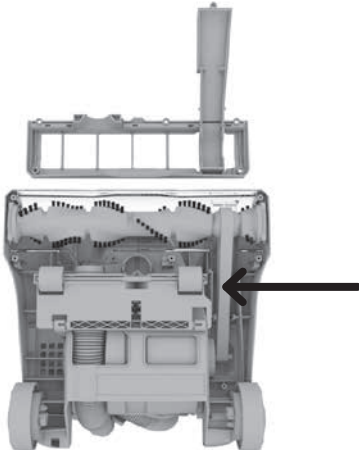
1. Turn your vacuum over.
Use a Phillips screwdriver to take off the 6 screws.
Remove the bottom plate.



2. Clean the brushroll.



3. Slide on belt with the lettering on the outside.



HOW TO

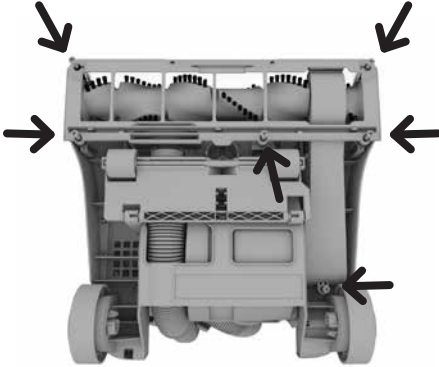


CAUTION

To reduce the risk of injury from moving parts - Unplug before servicing.

REPLACE THE BELT

1. Turn your vacuum over.
Use a Phillips screwdriver to take off the 6 screws.
Remove the bottom plate.



2. Then take off that old belt.
Slide on a new belt with the lettering on the outside.

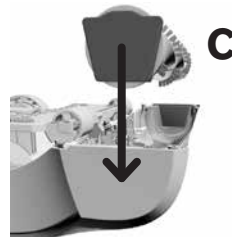
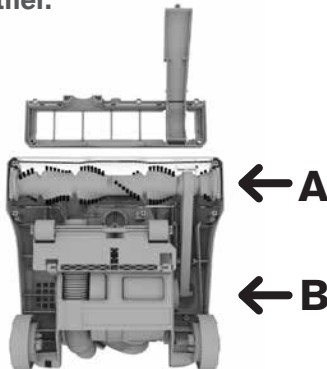


3. Slip belt around the brushroll in area without bristles (A) and metal pin (B). Each end of the brushroll will fit into pockets on each side of the nozzle (C). Put the plate back on and screw together.



LUBRICATION:

The motor and brushroll are equipped with bearings which contain sufficient lubrication for their lifetime. The addition of lubricant could cause damage. Do not add lubricant to motor or brushroll.



NOTE: Any other servicing should be done by an authorized service representative. If appliance is not working as it should, has been dropped, damaged, left outdoors or dropped into water, take it to a service center prior to continuing use.

For replacement belt style 5 visit dirtdevil.com or call us at (800) 321-1134.

TROUBLESHOOTING



WARNING

To reduce the risk of personal injury - Unplug before cleaning or servicing.

PROBLEM	POSSIBLE CAUSE	POSSIBLE SOLUTION
Vacuum won't run	1. Power cord not firmly plugged into outlet.	1. Plug unit in firmly.
	2. No voltage in wall plug.	2. Check fuse or breaker in home.
	3. Blown fuse or tripped breaker.	3. Replace fuse/reset breaker in home.
	4. Thermal Protector activated.	4. Unplug and allow vacuum to cool for 30min. (This will reset the thermal protector)
Dust escaping from vacuum	1. Dirt cup full.	1. Empty dirt cup.
	2. Dirt cup not installed correctly.	2. Review Dirt Cup removal & replacement.
	3. Hose not installed correctly.	3. Review Hose installation.
	4. Rinsable and/ or Filter made with HEPA media not installed completely.	4. Review Filter Removal and Cleaning.
Smoky/burning smell detected	1. Belt broken or stretched.	1. Replace brushroll belt.
	2. Brushroll is clogged.	2. Clear/remove debris from brushroll.
Vacuum tools won't pick-up	1. Hose clogged	1. Remove hose and tools; remove obstruction.
	2. Dirt cup full	2. Empty dirt cup.
	3. One or both filters are clogged.	3. Remove both filters and clean.
	4. Vacuum not picking up debris.	5. Brushroll could be turned off or the belt could be broken.
Cord rewind does not work	5. Cord reel does not retract.	5. Call 1-800-321-1134 for the nearest authorized service representative.

LIMITED WARRANTY



SERVICE INFORMATION & LIMITED WARRANTY FOR DIRT DEVIL® PRODUCTS

If this product is not as warranted, contact the Dirt Devil® Consumer Response Center at 1-800-321-1134. Please have available the proof of purchase and model number for the warranted product.

WHAT THIS LIMITED WARRANTY COVERS:

This limited warranty provided by Royal Appliance Mfg. Co., doing business as TTI Floor Care North America (referred to hereafter as "Dirt Devil") applies only to products purchased in the U.S. (including its territories and possessions), at a U.S. Military Exchange, or in Canada. When used and maintained in normal household use and in accordance with the Owner's Guide, your Dirt Devil® product is warranted against original defects in material and workmanship for the number of years from the date of original purchase stated above (the "Warranty Period"). If Dirt Devil determines that the issue you are experiencing is covered under the terms of this warranty (a "covered warranty claim"), we will, at our sole discretion and free of charge (subject to the cost of shipping), either repair your product or ship you a replacement product, subject to availability. Parts and replacements may be new, refurbished, lightly used, or remanufactured, in Dirt Devil's sole discretion. If parts and replacements are unavailable, we may, at our discretion, provide a similar product of equal or greater value, a store credit (if applicable), or a refund of the actual purchase price at the time of the original purchase, as reflected on the original sales receipt.

WHO THIS LIMITED WARRANTY COVERS:

This limited warranty extends only to the original retail purchaser, with original proof of purchase from Dirt Devil or an authorized dealer of Dirt Devil products, in the U.S., U.S. Military Exchanges, and Canada.

WHAT THIS LIMITED WARRANTY DOES NOT COVER:

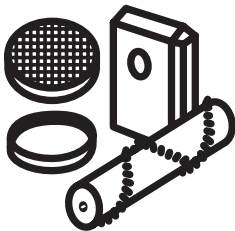
This warranty does not cover use of the product in a commercial operation (such as maid, janitorial, and equipment rental services, or any other income-generating activity); improper maintenance of the product; the product if it has been subject to misuse, negligence, neglect, vandalism, or the use of voltages other than that on the data plate of this product. This warranty does not cover damage resulting from an act of God, accident, owner's acts or omissions, service of this product by other than Dirt Devil or a Dirt Devil authorized service provider (if applicable), or other acts beyond the control of Dirt Devil. This warranty also does not cover use outside the country in which the product was initially purchased, or resale of the product by the original owner. Pick-up, delivery, transportation, and house calls are not covered by this warranty. In addition, this warranty does not cover any product that has been altered or modified; repairs made necessary by normal wear; or the use of parts or accessories which are either incompatible with the Dirt Devil product or adversely affect its operation, performance, or durability. Normal wear items that are not covered under this warranty include, but are not limited to, belts, filters, brush rolls, vacuum tubes, and vacuum bags and straps.

OTHER IMPORTANT TERMS

This warranty is not transferable and may not be assigned; any assignment made in contravention of this prohibition is void. This warranty shall be governed and construed under the laws of the state of North Carolina. The Warranty Period will not be extended by any replacement of batteries or parts or repair performed under this warranty.

THIS WARRANTY IS THE EXCLUSIVE WARRANTY AND REMEDY, AND ALL EXPRESS AND IMPLIED WARRANTIES OTHER THAN THE LIMITED WARRANTY SET FORTH ABOVE, INCLUDING IMPLIED WARRANTIES OF MERCHANTABILITY AND FITNESS FOR A PARTICULAR PURPOSE, ARE EXPRESSLY DISCLAIMED. IN NO EVENT WILL DIRT DEVIL BE LIABLE FOR ANY SPECIAL, INDIRECT, INCIDENTAL OR CONSEQUENTIAL DAMAGES OF ANY KIND OR NATURE TO OWNER OR ANY PARTY CLAIMING THROUGH OWNER, WHETHER BASED IN CONTRACT, NEGLIGENCE, TORT, OR STRICT PRODUCTS LIABILITY OR ARISING FROM ANY CAUSE WHATSOEVER. TO THE EXTENT PERMITTED BY APPLICABLE LAW, NO WARRANTIES THAT ARISE BY OPERATION OF LAW, IF APPLICABLE, SHALL EXCEED THE DURATION OF THE LIMITED WARRANTY PROVIDED HEREIN. Dirt Devil's liability for damages to you for any costs whatsoever arising out of this statement of limited warranty shall be limited to the amount paid for this product at the time of original purchase and Dirt Devil shall not be liable for any direct, indirect, consequential, or incidental damages arising out of the use or inability to use this product. Both the disclaimer and the limitations of liability set forth above shall apply even in the event that this limited warranty fails of its essential purpose.

Some states do not allow the exclusion or limitation of incidental or consequential damages, disclaimers of implied warranties, or limitations on the duration of implied warranties, so the above exclusions, disclaimers, and/or limitations may not apply to you. This warranty gives you specific legal rights, and you may also have other rights, which vary from state to state.



Find GENUINE Replacement Parts at www.dirtdevil.com

This product uses the following parts:

BELT STYLE _____ **5**
PRE-MOTOR FILTER _____ **F112**
EXHAUST FILTER _____ **F111**



Call our Customer
Service Department
at **(800) 321-1134**

8:00 a.m. - 7:00 p.m. EST Mon. - Fri.
www.dirtdevil.com

OUR VACS SPEAK VOLUMES

Pick Up the Conversation On...



[Facebook.com/DirtDevil](https://www.facebook.com/DirtDevil)



[Twitter@DirtDevil](https://twitter.com/DirtDevil)



Dirt Devil® Endura Upright

Aspirateur vertical pleine grandeur

Mon modèle est : _____



1.2.3...

GUIDE D'UTILISATION

#961151970 / R4 11/19
©2019 Tous droits réservés.



OBTENEZ DES PIÈCES

- MODÈLE DE COURROIE 5
- FILTRE SITUÉ AVANT LE MOTEUR F112
- FILTRE D'ÉVACUATION F111



LET'S GO.™

BONJOUR! BIENVENUE

Félicitations pour l'achat de votre nouvel aspirateur-balai cyclonique pour tapis et planchers durs Dirt Devil®. Vous trouverez à l'intérieur de ce manuel tout ce que vous devez savoir au sujet de l'utilisation de vos accessoires.

Alors, qu'attendez-vous? **ALLONS-Y!**^{MC}



ENREGISTREMENT DU PRODUIT

Enregistrement de la garantie

Assurez-vous d'enregistrer votre produit en ligne sur le site www.dirtdevil.com ou en appelant au numéro 1 800 321-1134.

Conseil : Brochez vos reçus d'achat à ce manuel du propriétaire. La vérification de la date d'achat peut être requise pour une réparation au titre de la garantie de votre produit DirtDevil^{MD}.

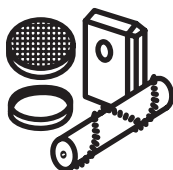
Veuillez inscrire les renseignements de votre appareil ci-dessous afin de les consulter rapidement.

No de modèle : _____

Code du fabricant : _____

(Vous trouverez le code du fabricant à l'arrière ou au bas de l'appareil)

Vous trouverez vos pièces de rechange d'ORIGINE en visitant le site www.dirtdevil.com



Cet appareil est équipé des pièces suivantes :

STYLE DE COURROIE _____ **5**

PRÉFILTRE POUR MOTEUR _____ **F112**

FILTRE D'ÉCHAPPEMENT _____ **F111**

TABLE DES MATIÈRES



1·2·3...

Assemblage rapide ————— 26-27

Réglage de la hauteur ————— 28

Libération et stockage du cordon ————— 28



Accessoires ————— 29

Comment faire ————— 32



Dépannage ————— 38



Limitée garantie ————— 39



AVERTISSEMENT



IMPORTANT : LISEZ ATTENTIVEMENT AVANT L'ASSEMBLAGE ET L'UTILISATION. CET APPAREIL EST DESTINÉ UNIQUEMENT À UN USAGE DOMESTIQUE. UNE UTILISATION À DES FINS COMMERCIALES ANNULERA LA GARANTIE.

CONSIGNES DE SÉCURITÉ IMPORTANTES

Des précautions de base doivent toujours être respectées lors de l'utilisation d'un appareil électrique y compris les suivantes :

VEUILLEZ LIRE TOUTES LES INSTRUCTIONS AVANT D'UTILISER CET APPAREIL.

AVERTISSEMENT : POUR RÉDUIRE LE RISQUE D'INCENDIE, DE DÉCHARGE ÉLECTRIQUE, DE DOMMAGE OU DE BLESSURE :

- Assembler complètement avant l'utilisation.
- N'utiliser l'appareil qu'à la tension spécifiée sur la plaque signalétique située à la base de l'appareil.
- Ne pas laisser l'appareil sans surveillance lorsqu'il est branché. Le débrancher quand il n'est pas utilisé et avant d'en faire l'entretien.
- Ne pas utiliser l'appareil à l'extérieur ou sur des surfaces humides.
- Ne permettez pas aux enfants de jouer avec l'appareil. Cet appareil ne doit pas être utilisé par des enfants de moins de 12 ans. Exercez une surveillance étroite lorsque l'appareil est utilisé par des enfants ou à proximité d'enfants. Gardez l'appareil hors de la portée des enfants et ne laissez pas ces derniers introduire leurs doigts ou d'autres objets dans aucune ouverture afin d'éviter les blessures ou les bris.
- Utiliser cet aspirateur uniquement de la façon décrite dans ce guide. Utiliser uniquement les accessoires et les produits recommandés par le fabricant.
- Ne pas utiliser l'appareil si la fiche ou le cordon sont endommagés. Si l'aspirateur ne fonctionne pas adéquatement, s'il est tombé, a été endommagé, a été laissé à l'extérieur ou est tombé dans l'eau, l'expédier à un centre de réparation pour qu'il soit vérifié.
- Ne tirez pas l'appareil par son cordon, ne vous servez pas du cordon comme poignée, ne fermez pas de portes sur le cordon et ne tirez pas le cordon sur des coins ou des bords tranchants. Ne pas placer l'appareil sur le cordon. Évitez de passer l'appareil sur le cordon d'alimentation. Tenez le cordon à l'écart des surfaces chauffées.
- Ne débranchez pas l'appareil en tirant sur le cordon. Pour débrancher l'appareil, tirez sur la fiche, et non sur le cordon.
- Ne manipulez pas la fiche ou l'appareil avec les mains mouillées.
- N'insérez pas d'objets dans les ouvertures. N'utilisez pas l'appareil si ses orifices sont obstrués; enlevez de ces dernières la poussière, les peluches, les cheveux et tout ce qui pourrait réduire le débit d'air.
- Gardez les cheveux, les vêtements amples, les doigts et toute autre partie du corps à l'écart des ouvertures et des pièces en mouvement. Le rouleau-brosse continue de tourner lorsque l'appareil est en position verticale.
- Éteignez toutes les commandes avant de débrancher l'appareil.

- Être très prudent pendant l'utilisation dans les escaliers. Afin d'éviter les blessures ou les dommages et d'empêcher l'appareil de tomber, toujours le placer au bas de l'escalier. Ne pas placer l'appareil dans les escaliers ou sur un meuble, ce qui pourrait causer des blessures ou des dommages.
- Ne pas utiliser l'appareil pour ramasser des liquides inflammables ou combustibles, comme de l'essence, ou de la sciure de bois, ni l'utiliser à proximité de ces matériaux.
- Débranchez avant de connecter le Turbo Tool®.
- Évitez d'aspirer tout objet qui brûle ou fume, comme les cigarettes, les allumettes et les cendres incandescentes.
- Ne pas utiliser l'appareil sans son vide-poussière et/ou ses filtres.

MISE EN GARDE : POUR RÉDUIRE LES RISQUES DE DOMMAGES :

- Éviter de ramasser des objets durs ou aux arêtes tranchantes avec l'appareil, car ils peuvent endommager l'appareil.
- Ranger adéquatement à l'intérieur, dans un endroit sec. Ne pas exposer l'appareil à des températures de gel.
- Ne pas utiliser d'objets coupants pour nettoyer le tuyau car cela risquerait de l'endommager.
- Lorsque le rouleau-brosse est en marche, ne pas laisser l'appareil longtemps au même endroit, car cela pourrait endommager le plancher.
- Le rouleau-brosse continue de tourner lorsque l'appareil est en marche et que la poignée est redressée. Afin d'éviter tout dommage aux tapis, carpettes et revêtements de sol, évitez d'incliner l'appareil ou de l'utiliser sur des meubles, des carpettes à franges ou des escaliers recouverts de tapis lorsque l'outil fonctionne.

CONSIGNES DE SÉCURITÉ IMPORTANTES

AVERTISSEMENT :

Afin de réduire les risques de choc électrique, cet appareil est muni d'une fiche polarisée (une tige est plus large que l'autre). Cette fiche ne peut être insérée que dans une prise de courant polarisée et uniquement dans un sens. Si la fiche ne s'insère pas complètement dans la prise, il faut l'inverser. Si elle ne s'insère toujours pas, demander à un électricien qualifié d'installer la prise appropriée. Ne jamais modifier la fiche.

AVIS L'ASPIRATEUR EST DOTÉ D'UN PROTECTEUR THERMIQUE INTERNE POUR LE PROTÉGER CONTRE LA SURCHAUFFE. LORSQUE LE PROTECTEUR THERMIQUE EST ACTIVÉ,

L'ASPIRATEUR S'ARRÊTE.

Si cela se produit, procéder comme suit :

1. Éteindre l'aspirateur et le débrancher.
2. Vider le videpoussière.
3. Inspecter l'entrée de la buse, le connecteur à l'extrémité du tuyau, le tuyau, l'entrée du vide-poussière, le filtre cyclonique, le filtre lavable et le filtre HEPA pour repérer une obstruction.
4. Dégager les obstructions au besoin.

Lorsque l'appareil est débranché et que le moteur a refroidi 30 minutes, le protecteur thermique se désactive et l'appareil peut de nouveau être utilisé.

Si le protecteur thermique est encore activé après avoir suivi les étapes ci-dessus, il se peut que l'aspirateur ait besoin d'entretien.

ASSEMBLAGE RAPIDE

1



**INSÉRER LE TUBE-POIGNÉE
SUR LE DESSUS DE
L'ASPIRATEUR. FIXER LE
TUYAU ICI.**

2



**ENTOUREZ LE CORDON
AUTOUR DE SES CROCHETS.**



**DÉGAGEMENT
DE LA
POIGNÉE**

**APPUYEZ ICI ET TIREZ LA
POIGNÉE VERS L'ARRIÈRE POUR
L'INCLINER.**



**PÉDALE
MARCHÉ/
ARRÊT**

**BRANCHEZ LE CORDON ET
APPUYEZ ICI POUR METTRE
L'APPAREIL SOUS TENSION.**

**VOTRE DIRT DEVIL
EST PRÊT À
NETTOYER!
LET'S GO.™**



DÉPANNAGE

Visitez le site dirtdevil.com/support ou appelez Service à la clientèle au 1 800 321-1134 8 h à 17 h HNE.
Suivez les discussions sur...

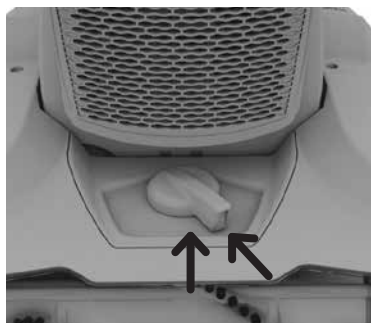
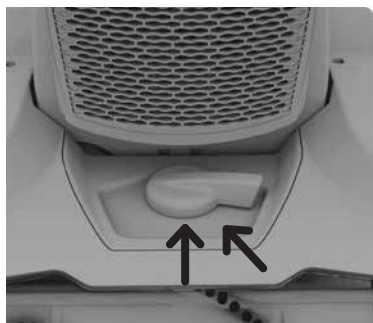
 [Facebook.com/DirtDevil](https://www.facebook.com/DirtDevil)

 [Twitter@DirtDevil](https://twitter.com/DirtDevil)

RÉGLAGE DE LA HAUTEUR

LES RÉGLAGES DE HAUTEUR SUIVANTS SONT RECOMMANDÉS POUR OBTENIR UNE PERFORMANCE MAXIMALE.

1. Réglages les plus bas - Deux positions :
Idéal pour le carrelage, bois, linoléum et tapis de poil ras.
2. Milieux à forte - Deux positions :
Idéal pour tapis peluche and shag tapis.



LIBÉRATION ET STOCKAGE DU CORDON*



Avant l'utilisation, empoigner l'extrémité de la fiche et tirer pour dégager le cordon de l'enrouleur de cordon jusqu'au ruban rouge.



Pour faire rentrer le cordon, tenir la fiche et appuyer sur le bouton situé sur le dessus de l'enrouleur de cordon.

⚠ IMPORTANT ⚠

Lorsque le cordon est tiré, un ruban jaune indique le moment où il est presque entièrement sorti. Lorsque la bande rouge est visible sur le cordon, ce dernier a atteint sa longueur maximale. **(Ne pas tirer le cordon au-delà de la bande rouge).**

⚠ AVERTISSEMENT ⚠

Pour faire rentrer le cordon, tenir la fiche et appuyer sur le bouton (B) situé sur le dessus de l'enrouleur de cordon.

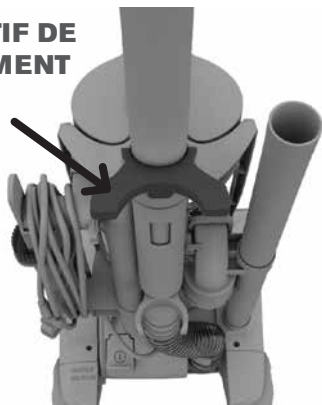
* Pas de tous les modèles possèdent ces caractéristiques

TUBE DE NETTOYAGE * À DÉGAGEMENT RAPIDE

1. Appuyez sur le bouton de dégagement du tube.

2. Tirer le tube vers le haut et le dégager et y insérer le tuyau.

DISPOSITIF DE DÉGAGEMENT DU TUBE



3. Installez l'outil qu'il vous faut sur le tube pour faciliter le nettoyage. Une fois que vous aurez terminé, tournez l'outil en tirant dessus pour le retirer.



*Les accessoires ne sont pas inclus avec tous les modèles.

ACCESSOIRES

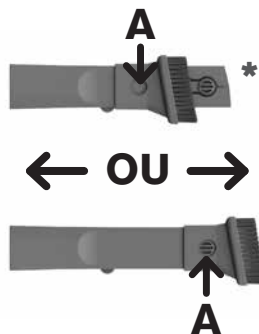
⚠ MISE EN GARDE

N'utilisez pas l'aspirateur pour toiletter un animal.

⚠ AVERTISSEMENT

Débranchez l'appareil avant d'installer le tuyau, le tube ou un accessoire.

JEU COMPLET D'ACCESSOIRES INTÉGRÉS



OUTIL COMBINÉ 2-EN-1 :
Utilisez le suceur plat dans les espaces restreints, les coins, et le long des rebords de marches et des plinthes. Essayez la brosse à épousseter sur les meubles, le dessus des tables, les lampes, les stores, et plus encore. Appuyez sur le bouton de verrouillage (A) et faites-le glisser pour sélectionner un mode.



TURBO TOOL® : Pour les meubles recouverts de tissu, les tentures, les matelas et les escaliers.



TUBE RALLONGE :
Fixez au tube de nettoyage pour augmenter votre portée lors du nettoyage des surfaces surélevées et des planchers durs.

*Les accessoires ne sont pas inclus avec tous les modèles.

ACCESSOIRES

NETTOYAGE DES SURFACES SURÉLEVÉES

1. Tube-poignée de nettoyage à dégagement rapide pour le nettoyage pratique des surfaces surélevées.
2. Insérer le tuyau dans le tube-poignée.
3. Fixez le tube-rallonge et l'outil 2-en-1 pour améliorer le nettoyage.



MISE EN GARDE

Redoublez de prudence lorsque vous utilisez l'appareil sur des escaliers. Pour éviter tout dommage ou blessure et empêcher l'appareil de tomber, placez toujours ce dernier au bas des escaliers, sur le plancher. Ne placez pas l'appareil sur les marches d'un escalier ou sur un meuble, car cela peut entraîner des dommages ou des blessures. Lorsque vous utilisez des accessoires, assurez-vous que la poignée est toujours redressée.

* Les accessoires ne sont pas inclus avec tous les modèles.

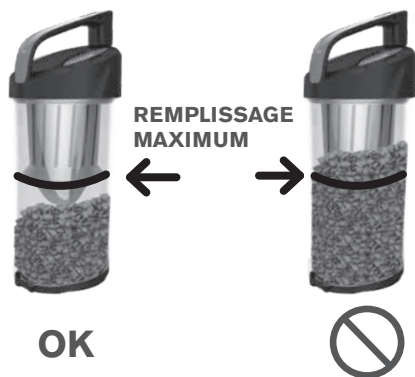
COMMENT FAIRE

⚠ AVERTISSEMENT

Débranchez l'appareil avant de le nettoyer ou de faire l'entretien afin de réduire le risque de blessures. N'utilisez pas l'aspirateur sans avoir installé le vide-poussière ou les filtres.

POUR VIDER LE VIDE-POUSSIÈRE

1. Videz la poussière lorsque le vide-poussière est plein.

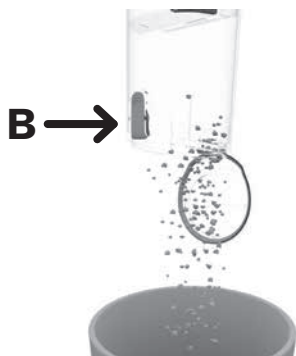


2. Appuyez sur le bouton de dégagement (A), puis retirez le vide-poussière.



La vidange du vide-poussière est une étape idéale pour vérifier l'état de votre filtre. Votre filtre est sale? Consultez les étapes de nettoyage à la page 33.

3. Maintenant, videz la poussière en appuyant sur le bouton inférieur (B). Utilisez un chiffon pour retirer la poussière.



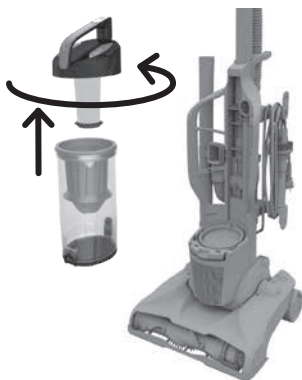
4. Réinsérez la partie inférieure en premier. Poussez la partie supérieure du vide-poussière contre le panneau arrière jusqu'à ce qu'elle s'enclenche.



COMMENT FAIRE

POUR NETTOYER LE FILTRE LAVABLE

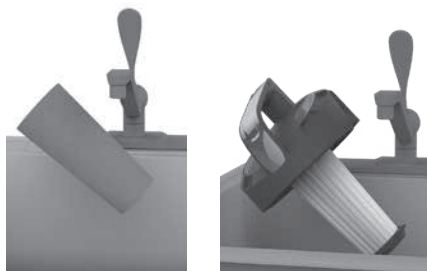
1. Enlevez le vide-poussière. Voyez-vous le filtre qui se trouve sous le vide-poussière? Soulevez-le.



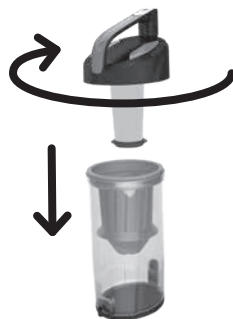
2. Nettoyer dans une poubelle en tapotant.



3. Toutes les pièces sont rinçables. Laisser sécher 24 heures avant utilisation.



4. **REVISSEZ** le filtre à l'intérieur de la poignée puis remettez-la en place sur le vide-poussière et vissez pour fermer. Remettez le vide-poussière en place sur l'aspirateur.



Pour savoir comment vous procurer un filtre de remplacement F112, visitez le dirtdevil.com ou appelez-nous au (800) 321-1134.

AVERTISSEMENT

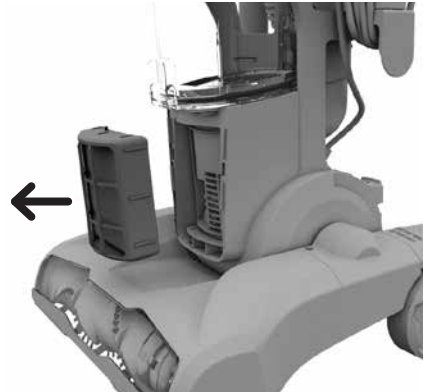
Débranchez l'appareil avant de le nettoyer ou de faire l'entretien afin de réduire le risque de blessures. N'utilisez pas l'aspirateur sans avoir installé le vide-poussière ou les filtres.

POUR NETTOYER LES FILTRES D'ÉCHAPPEMENT

1. Poussez les languettes situées sur le devant du couvercle afin de faire pivoter ce dernier pour l'ouvrir.



2. Sortez le filtre, rincez la saleté des deux côtés, puis laissez sécher à l'air pendant 24 heures ou jusqu'à ce que le filtre soit sec.



3. Remettez le filtre sec en place. Alignez ensuite le couvercle du filtre avec les languettes inférieures, puis appuyez sur le couvercle pour le remettre en place.



Pour savoir comment vous procurer un filtre de remplacement F111, visitez le dirtdevil.com ou appelez-nous au (800) 321-1134.

COMMENT FAIRE

AVERTISSEMENT

Débranchez l'appareil avant de le nettoyer ou d'en effectuer l'entretien afin de réduire le risque de blessures. N'utilisez pas l'aspirateur sans avoir installé le vide-poussière ou les filtres.

POUR NETTOYER L'ENSEMBLE CYCLONIQUE

1. Tournez dans le sens contraire des aiguilles d'une montre pour ouvrir le vide-poussière. Retirez l'assemblage du filtre cyclonique du vide-poussière.
2. Utilisez la brosse à épousseter pour nettoyer l'ensemble cyclonique.*



*L'accessoire pour poils d'animaux n'est pas fourni avec tous les modèles.

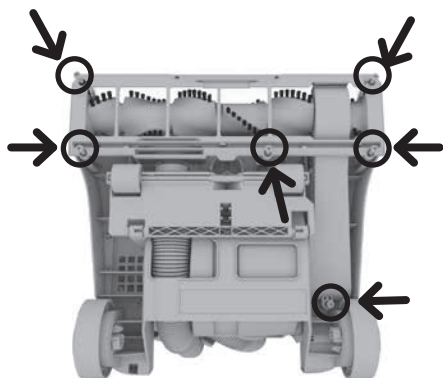
COMMENT FAIRE

MISE EN GARDE

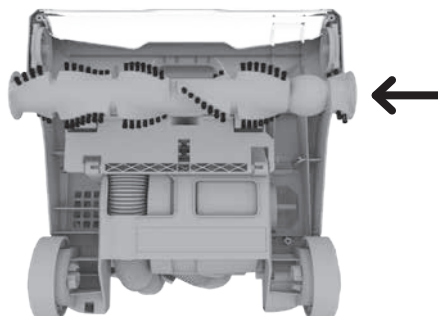
Pour réduire le risque de blessures présenté par les pièces en mouvement, débranchez l'appareil avant d'en effectuer l'entretien.

POUR NETTOYER LE ROULEAU-BROSSE

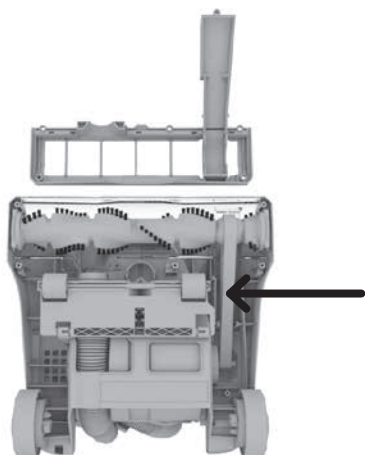
1. Retournez votre aspirateur.
Utilisez un tournevis cruciforme pour retirer les six vis. Enlevez la base.



2. Placez le rehausseur de rouleau dans la position haute.



3. Nettoyez le rouleau-brosse.



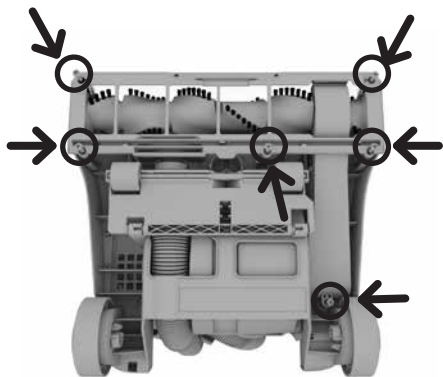
COMMENT FAIRE

⚠ MISE EN GARDE

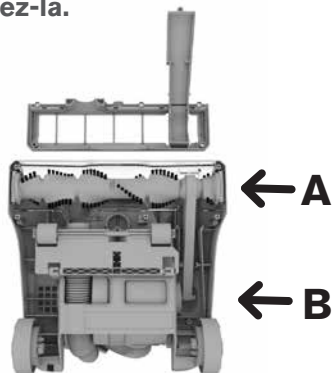
Pour réduire le risque de blessures présenté par les pièces en mouvement, débranchez l'appareil avant d'en effectuer l'entretien.

POUR REMPLACER LA COURROIE

1. Retournez votre aspirateur. Utilisez un tournevis cruciforme pour retirer les six vis. Enlevez la base.



3. Faites glisser la courroie autour du rouleau-brosse, sur la partie dépourvue de poils (A) et de tiges métalliques (B). Chaque extrémité du rouleau-brosse doit s'insérer dans l'une des poches se trouvant de chaque côté de la buse (C). Remettez la base en place et vissez-la.

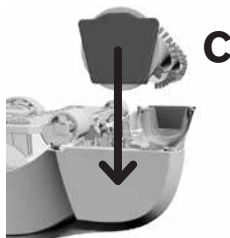


2. Répétez les étapes 1 et 2. Puis retirez l'ancienne courroie. Insérez une nouvelle courroie en la faisant glisser. Les inscriptions doivent être orientées vers l'extérieur.



LUBRIFICATION :

Le moteur et le rouleau-brosse sont équipés de paliers suffisamment lubrifiés pour toute leur durée de vie. Toute lubrification supplémentaire pourrait causer des dommages. Ne pas ajouter de lubrifiant au moteur ou au rouleau-brosse.



REMARQUE : Toute autre tâche d'entretien doit être confiée à un représentant de service autorisé. Cessez d'utiliser l'appareil s'il ne fonctionne pas comme prévu, s'il a été échappé sur le sol ou dans l'eau, s'il est endommagé ou s'il a été laissé à l'extérieur et apportez-le au centre de réparations.

Pour savoir comment vous procurer une courroie de remplacement de style 5, visitez le dirtdevil.com ou appelez-nous au (800) 321-1134.

DÉPANNAGE



AVERTISSEMENT

Débranchez l'appareil avant de le nettoyer ou de faire l'entretien afin de réduire le risque de blessures.

PROBLÈME	CAUSE POSSIBLE	SOLUTION
L'aspirateur ne se met pas en marche.	1. Le cordon d'alimentation n'est pas bien branché sur la prise de courant.	1. Insérez fermement la fiche dans la prise de courant.
	2. Pas de tension à la prise murale.	2. Vérifiez les fusibles ou les disjoncteurs du domicile.
	3. Fusible grillé ou disjoncteur déclenché.	3. Remplacez le fusible ou enclenchez le disjoncteur du domicile.
	4. Le rupteur thermique est activé.	4. Débranchez l'aspirateur et laissez-le refroidir pendant 30 minutes. (Ceci réinitialisera le rupteur thermique)
La poussière s'échappe de l'aspirateur.	1. Le vide-poussière est plein.	1. Videz le vide-poussière.
	2. Le vide-poussière est mal installé.	2. Relisez le chapitre au sujet du retrait et de la réinstallation du vide-poussière.
	3. Le tuyau est mal installé.	3. Vérifiez l'installation du tuyau.
	4. Le filtre lavable ou le filtre conçu avec la technologie HEPA n'ont pas été installés correctement.	4. Relisez le chapitre au sujet du retrait et du nettoyage du filtre.
Présence d'une odeur de fumée et de brûlé.	1. La courroie est brisée ou lâche.	1. Remplacez la courroie du rouleau-brosse.
	2. Le rouleau à brosses est coincé.	2. Retirez tous les débris du rouleau à brosses.
Les accessoires de l'aspirateur n'aspirent pas.	1. Le tuyau est obstrué.	1. Retirez le tuyau et les outils, puis retirez la source de l'obstruction.
	2. Le vide-poussière est plein.	2. Videz le vide-poussière.
	3. Les filtres sont obstrués.	3. Retirez les deux filtres et nettoyez-les.
	4. La poignée de déblocage ou le tube actionne la valve interne.	4. Soulevez la poignée et retirez-la de l'appareil.
	5. L'aspirateur ne ramasse pas les débris.	5. Il se peut que le rouleau-brosse soit éteint ou que la courroie soit brisée.

GARANTIE LIMITÉE



RENSEIGNEMENTS CONCERNANT L'ENTRETIEN ET GARANTIE LIMITÉE POUR LES PRODUITS DIRT DEVIL^{MD}

Si le présent produit ne fonctionne pas comme il a été annoncé, communiquez avec le centre de service à la clientèle de Dirt Devil^{MD} au 1 800 321-1134. Assurez-vous d'avoir en main la preuve d'achat et le numéro de modèle du produit couvert par la garantie.

ÉLÉMENTS COUVERTS PAR LA PRÉSENTE GARANTIE :

Cette garantie limitée fournie par Royal Appliance Mfg. Co., exerçant ses activités sous TTI Floor Care North America (appelée « Dirt Devil » ci-après), s'applique uniquement aux produits achetés aux États-Unis (y compris ses territoires et possessions), au Canada et par l'intermédiaire du programme d'échanges militaires américain. Votre produit Dirt Devil^{MD} est garanti pour des conditions normales d'utilisation et d'entretien domestiques, comme le stipule le Guide d'utilisation, contre les défauts de matériaux et de fabrication pour le nombre d'années à compter de la date d'achat indiqué ci-dessus (ci-après la « période de garantie »). Si Dirt Devil détermine que le problème que vous rencontrez est couvert en vertu des modalités de cette garantie (une « réclamation couverte par la garantie »), nous réparerons alors votre produit ou vous expédierons un produit de rechange, selon la disponibilité des produits, à notre entière discrétion et sans frais (sous réserve du coût d'expédition). Les pièces de rechange peuvent être nouvelles, remises à neuf, légèrement utilisées ou réusinées, à l'entière discrétion de Dirt Devil. Si une pièce ou une pièce de rechange n'est pas disponible, nous pourrions, à notre entière discrétion, fournir un produit de valeur égale ou supérieure, un crédit en magasin (le cas échéant) ou un remboursement équivalant au prix d'achat réel en date de l'achat initial, comme indiqué sur le reçu de vente original.

PERSONNES COUVERTES PAR LA PRÉSENTE GARANTIE :

La présente garantie limitée s'applique uniquement à l'acheteur original, avec une preuve d'achat provenant de Dirt Devil ou d'un détaillant autorisé des produits Dirt Devil aux États-Unis, au Canada et par l'intermédiaire du programme d'échanges militaires américain.

ÉLÉMENTS NON COUVERTS PAR LA PRÉSENTE GARANTIE :

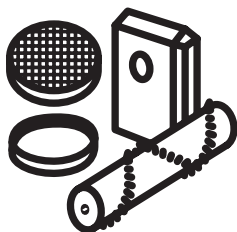
La présente garantie ne couvre pas toute utilisation commerciale du produit (p. ex., utilisation dans le cadre de services ménagers, de conciergerie ou de location de matériel ou de toute autre activité générant un revenu), l'entretien inadéquat du produit, l'utilisation inadéquate du produit, la négligence, les actes de vandalisme ou l'utilisation d'une tension électrique autre que celle indiquée sur la plaque signalétique de ce produit. La présente garantie ne couvre pas les dommages résultant d'un cas de force majeure, d'un accident, d'actes ou d'omission de la part du propriétaire, de l'entretien de ce produit autre que par Dirt Devil ou un fournisseur de service autorisé par Dirt Devil (le cas échéant) ou en raison d'autres actes qui sont hors du contrôle de Dirt Devil. La présente garantie ne couvre pas non plus l'utilisation à l'extérieur du pays d'achat initial du produit ni sa revente par le propriétaire original. La présente garantie ne couvre pas le ramassage, la livraison, le transport et la réparation à domicile. De plus, elle ne couvre pas les produits qui ont été modifiés, les réparations nécessaires en raison de l'usure normale ou l'utilisation de pièces ou d'accessoires qui sont incompatibles avec le produit de Dirt Devil ou qui nuisent à son fonctionnement, à son rendement ou à sa durabilité. Les articles ayant une usure normale qui ne sont pas couverts par cette garantie comprennent, sans s'y limiter, les courroies, les filtres, les rouleaux-brosses, les tuyaux d'aspirateur, les sacs d'aspirateurs et les attaches.

AUTRES CONDITIONS IMPORTANTES

La présente garantie n'est pas transférable et ne peut être cédée; toute cession effectuée en violation de cette interdiction est annulée. La présente garantie sera régie et interprétée selon les lois de l'État de la Caroline du Nord. La période de garantie ne peut pas être prolongée par une réparation ou un remplacement des piles ou des pièces exécutés en vertu de la présente garantie, quels qu'ils soient.

LA PRÉSENTE GARANTIE EST L'UNIQUE GARANTIE ET RECOURS ET TOUTE GARANTIE EXPLICITE OU IMPLICITE AUTRE QUE LA GARANTIE LIMITÉE PRÉSENTÉE CI-DESSUS, Y COMPRIS LES GARANTIES IMPLICITES DE QUALITÉ MARCHANDE ET DE CONVENANCE À UNE FIN PARTICULIÈRE, EST EXPRESSÉMENT DÉCLINÉE. DIRT DEVIL NE POURRA EN AUCUN CAS ÊTRE TENUE RESPONSABLE DE TOUTS DOMMAGES INTÉRÊTS SPÉCIAUX OU DOMMAGES INDIRECTS, ACCESSOIRES OU CONSÉCUTIFS DE QUELQUE NATURE QUE CE SOIT SUBIS PAR LE PROPRIÉTAIRE DU PRODUIT OU PAR TOUTE PARTIE RÉCLAMANT PAR L'INTERMÉDIAIRE DU PROPRIÉTAIRE, QU'ILS RELÈVENT DE LA RESPONSABILITÉ CONTRACTUELLE, DE LA NÉGLIGENCE, DE LA RESPONSABILITÉ CIVILE DÉLICTELLE OU DE LA RESPONSABILITÉ STRICTE DU FAIT DES PRODUITS, OU QU'ILS DÉCOULENT DE QUELQUE CAUSE QUE CE SOIT. DANS LES LIMITES PERMISES PAR LA LOI APPLICABLE, AUCUNE GARANTIE RÉSULTANT D'UNE THÉORIE JURIDIQUE, LE CAS ÉCHÉANT, NE PEUT DÉPASSER LA DURÉE DE LA GARANTIE LIMITÉE AUX PRÉSENTES. La responsabilité de Dirt Devil à votre endroit pour tous les coûts, quels qu'ils soient, découlant de cette déclaration de garantie limitée se limite au montant payé pour ce produit au moment de l'achat initial. Dirt Devil ne peut être tenue responsable de tout dommage direct, indirect, consécutif ou accidentel résultant de l'utilisation ou de l'impossibilité d'utiliser ce produit. L'exonération et les limites de responsabilité présentées ci-dessus sont applicables même dans le cas où la présente garantie limitée n'atteint pas son objet essentiel.

Certains États n'autorisent pas l'exclusion ni la restriction des dommages indirects ou accessoires, l'exclusion de garanties implicites ou les limites de durée d'une garantie implicite; par conséquent, les restrictions ou exclusions précédentes peuvent ne pas s'appliquer. La présente garantie vous donne des droits précis. Vous pouvez également avoir d'autres droits, lesquels varient d'une province à l'autre.



**Vous trouverez vos
pièces de rechange
d'ORIGINE en visitant
le site
www.dirtdevil.com**

Cet appareil est équipé des pièces suivantes :

STYLE DE COURROIE ————— 5

PRÉFILTRE POUR MOTEUR ————— F112

FILTRE D'ÉCHAPPEMENT ————— F111



**Appelez le Service à
la clientèle au numéro
1 800 321-1134**

8 h à 17 h HNE. Lundi au vendredi

www.dirtdevil.com

**LES FAITS ÉLOQUENTS
DE NOS ASPIRATEURS**

Suivez les discussions sur...



[Facebookcom/DirtDevil](https://www.facebook.com/DirtDevil)



[Twitter@DirtDevil](https://twitter.com/DirtDevil)



Dirt Devil® Endura Upright

Aspiradora vertical de tamaño completo

Mi modelo es: _____



1·2·3...

MANUAL DEL USUARIO

#961151970 / R4 11/19

©2019 Todos los derechos reservados.



SI NECESITA PIEZAS DE REPUESTO

- ESTILO DE BANDA 5
- FILTRO PREVIO AL MOTOR F112
- FILTRO DE ESCAPE F111



LET'S GO.™

HOLA. BIENVENIDO.

Felicitaciones por adquirir la nueva aspiradora vertical ciclónica Dirt Devil® para limpieza en alfombrados + pisos duros. En este manual encontrará todo lo que desee saber, desde las herramientas hasta las instrucciones de uso.

¿Qué está esperando? LET'S GO.™



REGISTRO DEL PRODUCTO

Registro de la garantía

Asegúrese de registrar su producto en línea, en el sitio www.DirtDevil.com, o comuníquese al 1-800-321-1134 para realizar el registro telefónicamente.

Consejo: Adjunte su recibo de compra a este Manual del propietario. Puede que le soliciten la fecha de compra para obtener el servicio de la garantía de su producto Dirt Devil®.

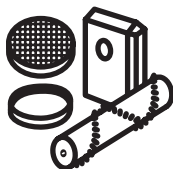
Para poder consultar rápidamente, anote la información de su producto a continuación.

N. ° de modelo: _____

Cód. de fabricación: _____

(El cód. de fabricación ubicado en el reverso del producto o en su base.)

Encuentre piezas de repuesto GENUINAS en el sitio www.dirtdevil.com.



En este producto se utilizan las siguientes piezas:

CORREA ESTILO _____ **5**

FILTRO PREMOTOR _____ **F112**

FILTRO DE ESCAPE _____ **F111**

ÍNDICE



1·2·3...

Ensamblaje para inicio de uso rápido ————— 46-47

Ajuste de altura ————— 48

Lanzamiento de la Cuerda ————— 48



Herramientas ————— 49-51

Instrucciones de uso ————— 52



Resolución de problemas ————— 58



Garantía limitada ————— 59



ADVERTENCIA



IMPORTANTE: LEA ESTE MANUAL CON ATENCIÓN ANTES DE ENSAMBLAR Y USAR ESTE APARATO. ESTE PRODUCTO TIENE COMO FIN UN USO DOMÉSTICO ÚNICAMENTE. SI SE LO UTILIZA CON FINES COMERCIALES, LA GARANTÍA QUEDARÁ ANULADA.

INSTRUCCIONES DE SEGURIDAD IMPORTANTES

Cuando se utilizan aparatos eléctricos, siempre deben seguirse precauciones básicas, incluidas las siguientes:

LEA TODAS LAS INSTRUCCIONES ANTES DE UTILIZAR ESTE APARATO.

ADVERTENCIA: PARA DISMINUIR EL RIESGO DE INCENDIO, DESCARGA ELÉCTRICA O LESIONES:

- Arme por completo antes de hacer funcionar.
- Use la aspiradora y el cargador solamente con el voltaje especificado en la placa de datos ubicada en la parte inferior de la misma.
- No deje el electrodoméstico mientras esté enchufado. Desenchufe del tomacorriente cuando no esté en uso, y antes de limpiar o realizar un servicio.
- No utilice en el exterior o sobre superficies húmedas.
- Evite que se la utilice como un juguete. La unidad no tiene como fin el uso por parte de niños de 12 años o menos. Cuando se la utilice cerca de niños, será necesario hacerlo bajo una estricta supervisión. Para evitar lesiones o daños, mantenga a los niños alejados del producto y no permita que introduzcan los dedos ni objetos en ninguna de las aberturas del producto.
- Utilice solamente como se describe en este manual. Utilice únicamente los accesorios y productos recomendados por el fabricante.
- No utilice si el cable o el enchufe están dañados. Si el electrodoméstico no está funcionando como debería, se ha dejado caer, se ha dañado, se ha dejado a la intemperie, o ha caído dentro del agua, devuélvalo a un centro de servicio antes de continuar con el uso.
- No tire ni lo transporte tomándole del cordón eléctrico, no utilice el cordón eléctrico como asa, no cierre la puerta sobre el cordón eléctrico, ni tire del mismo alrededor de esquinas o rebordes agudos. No coloque el producto sobre el cordón. No pase el aparato sobre el cordón eléctrico. Mantenga el cordón eléctrico lejos de superficies calientes.
- No lo desconecte tirando del cordón eléctrico. Para desconectarlo, tome la clavija, no el cordón eléctrico.
- No tome la clavija o el aparato con las manos mojadas.
- No coloque objetos en las aperturas. No lo use con una apertura bloqueada; manténgalo libre de polvo, pelusa, pelo y cualquier cosa que pueda reducir el flujo de aire.
- Evite que el cabello, la ropa suelta, los dedos y cualquier otra parte del cuerpo entren en contacto con las aberturas y las piezas móviles de la unidad. El cepillo giratorio sigue girando mientras la unidad está en posición vertical.
- Apague todos los controles antes de desconectar.
- Tenga especial cuidado al limpiar escaleras. Para evitar lesiones personales o daños, y evitar que la aspiradora se caiga, siempre colóquela al pie de la escalera o sobre el suelo. No coloque la aspiradora sobre escaleras ni muebles, ya que puede ocasionar lesiones o daños.
- No use este aparato para aspirar líquidos inflamables ni combustibles (como gasolina) o restos de madera lijada, ni lo use en áreas donde dichos materiales pudieran estar presentes.

- No use este aparato para aspirar líquidos inflamables ni combustibles (como gasolina) o restos de madera lijada, ni lo use en áreas donde dichos materiales pudieran estar presentes.
- Desconecte la aspiradora antes de conectar el Turbo Tool®.
- No aspire objetos que estén quemándose o emitiendo humo, tales como cigarrillos, cerillos o cenizas calientes.
- No utilice sin los filtros y/o el depósito de polvo en su lugar.



CAUTION: TO REDUCE THE RISK OF DAMAGE:

- Evite levantar objetos duros y afilados con este producto, ya que podrían causar daño.
- Guarde el aparato de forma adecuada en la casa, en un lugar seco. No lo exponga a temperaturas de congelamiento.
- No use objetos filosos para limpiar la manguera, ya que pueden causar daños.
- Cuando el rodillo de cepillos está colocado, no deje que la aspiradora permanezca inmóvil durante mucho tiempo, ya que podría dañar el piso.
- El cepillo giratorio sigue girando mientras el producto está encendido y la manija se encuentra en posición vertical. Para evitar dañar alfombras y pisos, no incline la aspiradora sobre muebles, flecos de alfombras o escaleras alfombradas, ni la coloque sobre estos cuando use esta herramienta.

INSTRUCCIONES DE SEGURIDAD IMPORTANTES



ADVERTENCIA:

Para disminuir el riesgo de choque eléctrico, este aparato tiene un enchufe polarizado (una patilla es más ancha que la otra). Este enchufe puede usarse en una toma de corriente polarizada, de una sola manera. Si el enchufe no encaja completamente en la toma de corriente, colóquelo al revés. Si aun así no encaja, comuníquese con un electricista calificado para que instale la toma de corriente apropiada. No haga ningún tipo de modificación al enchufe.



AVISO

SU ASPIRADORA TIENE INCORPORADO UN PROTECTOR TÉRMICO PARA IMPEDIR EL SOBRECALENTAMIENTO. CUANDO SE ACTIVA EL PROTECTOR TÉRMICO, LA ASPIRADORA DEJA DE FUNCIONAR. Si esto sucede, proceda de la siguiente manera:

1. Apague la aspiradora y desenchúfela de la toma de corriente eléctrica.
2. Vacíe el contenedor para polvo.
3. Inspeccione la entrada de la boquilla, el conector de la manguera, la manguera, la entrada del contenedor para polvo, el filtro ciclónico, el filtro enjuagable y el filtro HEPA para asegurarse de que no hay obstrucciones. Si hay obstrucciones, elimínelas.
4. Cuando la aspiradora está desenchufada y se deja enfriar el motor durante 30 minutos, el protector térmico se desactiva, y se puede continuar pasando la aspiradora.

Si el protector térmico sigue activándose después de efectuar los pasos anteriores, es posible que su aspiradora necesite mantenimiento.

INICIO DE USO RÁPIDO

1



**INSERTE LA VARILLA
DEL MANGO EN LA
PARTE SUPERIOR DE LA
ASPIRADORA. ASEGURE
SU MANGUERA AQUÍ.**

2



**¡ENROSQUE EL CABLE
ALREDEDOR DE LOS
GANCHOS PORTACABLES!**

3



**LIBERACIÓN
DEL ASA**

**PRESIONE AQUÍ Y TIRE DEL
MANGO HACIA ATRÁS PARA
RECLINARLA.**

4



**PEDAL DE
ENCENDIDO/
APAGADO**

**ENCHUFE EL CABLE Y PRESIONE
AQUÍ PARA ENCENDER LA
UNIDAD.**

**¡SU ASPIRADORA
DIRT DEVIL ESTÁ
LISTA PARA
ASPIRAR!**

LET'S GO.™



¿NECESITA AYUDA?

Visite el sitio dirtdevil.com/support
o contacte a nuestro Departamento
de servicio al cliente llamando al
(800) 321-1134.

8:00 a. m. - 7:00 p. m. hora del este, Lun. -
Siga la conversación...

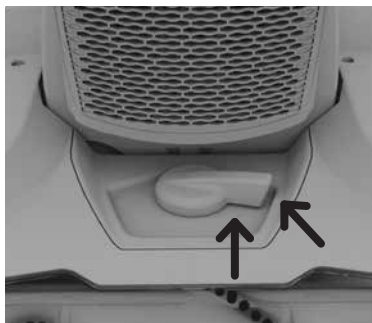
 [Facebook.com/DirtDevil](https://www.facebook.com/DirtDevil)

 [Twitter@DirtDevil](https://twitter.com/DirtDevil)

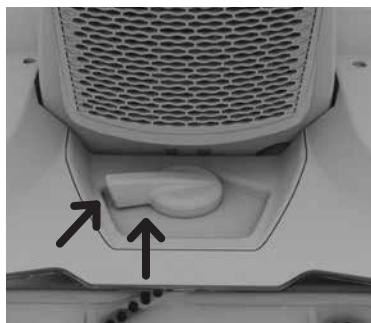
AJUSTE DE ALTURA

SE RECOMIENDAN LOS SIGUIENTES AJUSTES DE ALTURA PARA UN RENDIMIENTO MÁXIMO DE LIMPIEZA.

1. Ajustes bajos - dos posiciones:
Ideal para el azulejo, madera,
linóleo y alfombras bajo.



2. Valores altos - dos posiciones:
Ideal para alfombras de felpa y
cormorán moñudo.



LANZAMIENTO DE LA CUERDA*



Antes de utilizarlo, sujete el extremo del enchufe y tire para liberar el cordón de la bobina hasta que vea la cinta roja.



Para regresar el cordón a la posición de almacenamiento, sujete el enchufe y presione hacia abajo el pedal para soltar el cordón (B) que se encuentra en el lateral de la bobina.

! IMPORTANTE !

Al tirar del cordón, una cinta amarilla le indicará que está casi totalmente extendido. Cuando vea la cinta roja en el cable, éste ha alcanzado su máxima longitud de extensión (No pase la cinta roja).

! ADVERTENCIA !

Sujete el enchufe cuando enrolle el cordón en la bobina. No permita que el enchufe dé latigazos al enrollarlo.

*No todos los modelos tienen estas características

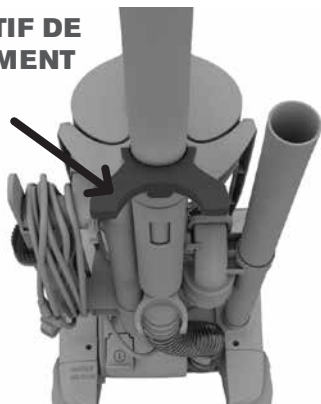
HERRAMIENTAS

VARILLA DE LIMPIEZA DE LIBERACIÓN RÁPIDA*

1. Presione el botón de liberación del tubo de extensión.

2. Tire de la varilla hacia arriba y afuera e inserte la manguera en la varilla.

DISPOSITIF DE DÉGAGEMENT DU TUBE



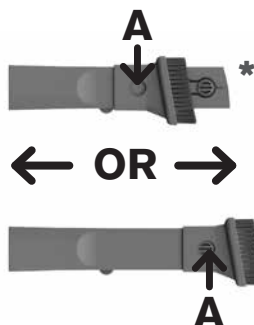
3. Empuje las herramientas en el tubo de extensión para obtener una limpieza conveniente. Una vez que haya terminado, gire y tire para extraerlas.



*Los accesorios no vienen incluidos con todos los modelos.

HERRAMIENTAS

KIT DE HERRAMIENTAS COMPLETO INCORPORADO



HERRAMIENTA COMBO 2 EN 1: utilice la boquilla de limpieza de rincones para espacios reducidos, esquinas y a lo largo de los bordes de escaleras y zócalos.

Pruebe el cepillo quitapolvo en muebles, mesadas, lámparas, persianas y más. Presione el botón de bloqueo (A) hacia abajo y deslícelo para pasar de un modo a otro.



TUBO DE EXTENSIÓN: conéctelo al tubo de aspirar para lograr un mayor alcance en techos y en pisos duros.

⚠ PRECAUCIÓN

La aspiradora no debe utilizarse para limpiar mascotas.

⚠ ADVERTENCIA

Desenchufe la aspiradora antes de desconectar la manguera, el tubo de extensión o las herramientas.



TURBO TOOL®: Para muebles tapizados, cortinas, colchones y escaleras.

*Los accesorios no vienen incluidos con todos los modelos.

HERRAMIENTAS

LIMPIEZA DE OTRAS SUPERFICIES

1. Varilla de limpieza de liberación rápida para una cómoda limpieza sobre el nivel del suelo.
2. Inserte la manguera en la varilla del mango.
3. Conecte el tubo de extensión y la herramienta 2 en 1 para lograr una mejor limpieza.



PRECAUCIÓN

Extreme las precauciones cuando utilice la aspiradora para limpiar escaleras. Para evitar lesiones o daños físicos, y a fin de evitar que la aspiradora se caiga, siempre colóquela al pie de las escaleras o sobre el suelo. No coloque la aspiradora sobre las escaleras ni sobre un mueble, ya que pueden generarse lesiones o daños. Cuando utilice las herramientas accesorias, siempre asegúrese de que el mango se encuentre en posición vertical.

*Los accesorios no vienen incluidos con todos los modelos.

INSTRUCCIONES DE USO

⚠ ADVERTENCIA

Para disminuir el riesgo de lesiones físicas, desenchufe la unidad antes de limpiarla o realizarle un servicio de mantenimiento. No utilice la unidad si esta no tiene colocados la copa de recolección de residuos o los filtros.

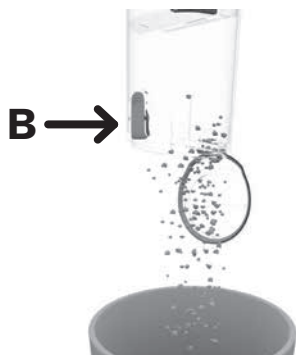
VACIAMIENTO DE LA COPA DE RECOLECCIÓN DE RESIDUOS

1. Tire la basura de la copa cuando esté llena.
2. Presione el botón de liberación (A) y tire hacia afuera de la copa de recolección de residuos.



Este sería un buen momento para verificar el estado de su filtro. ¿Se encuentra sucio? Consulte la página 13 para ver los pasos de limpieza.

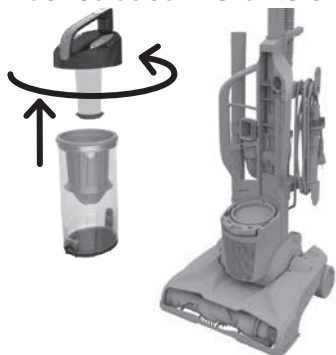
3. Ahora, arroje los residuos presionando el botón inferior. Límpiela para eliminar el polvo.
4. Coloque primero el respaldo de la copa en la base. Empuje la parte superior de la copa contra el panel trasero. Escuchará un chasquido cuando se sujete en su lugar.



INSTRUCCIONES DE USO

LIMPIEZA DEL FILTRO ENJUAGABLE

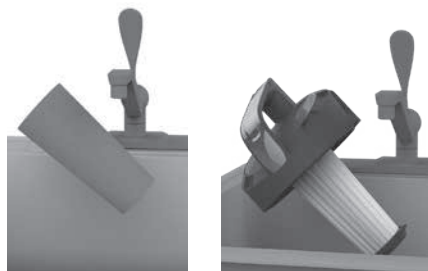
1. Extraiga la copa de recolección de residuos. ¿Puede ver el filtro debajo de la copa de recolección de residuos? Levántelo.



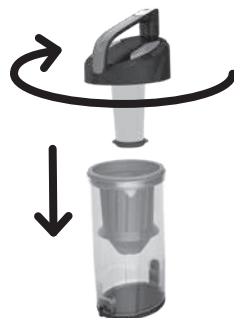
2. Vuelva a GIRAR el filtro en el mango, vuelva a colocar el mango en la copa de recolección de residuos y gírelo para cerrarlo. Vuelva a colocar la copa de recolección de residuos en la aspiradora.



3. Todas las piezas son enjuagables. Deje secar durante 24 horas antes de usar.



4. Vuelva a GIRAR el filtro en el mango, vuelva a colocar el mango en la copa de recolección de residuos y gírelo para cerrarlo. Vuelva a colocar la copa de recolección de residuos en la aspiradora.



INSTRUCCIONES DE USO

ADVERTENCIA

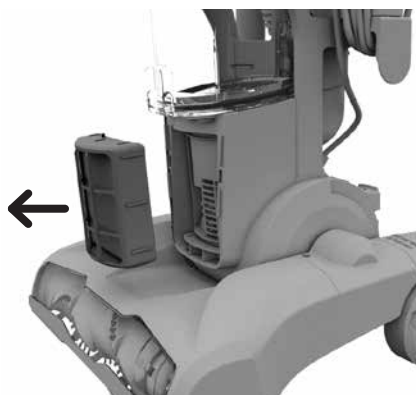
Para disminuir el riesgo de lesiones físicas, desenchufe la unidad antes de limpiarla o realizarle un servicio de mantenimiento. No utilice la aspiradora si no tiene colocados la copa de recolección de residuos o los filtros.

LIMPIEZA DE LOS FILTROS DE ESCAPE

1. Empuje la lengüeta en la parte frontal de la cubierta para girarla hacia afuera.



2. Extraiga el filtro, enjuague la suciedad de ambos lados, y déjelo secar al aire libre durante 24 horas antes de volver a colocarlo, o hasta que esté seco.



3. Vuelva a colocar el filtro seco. Ahora, alinee la cubierta del filtro primero con las lengüetas de abajo y luego vuelva a sujetarlo a presión en su lugar.



Para reemplazar el filtro F111, visite el sitio dirtdevil.com o llámenos al (800) 321-1134.

INSTRUCCIONES DE USO

ADVERTENCIA

Para disminuir el riesgo de lesiones físicas, desenchufe la unidad antes de limpiarla o realizarle un servicio de mantenimiento. No utilice la aspiradora si no tiene colocados la copa de recolección de residuos o los filtros.

LIMPIEZA DE LA UNIDAD CICLÓNICO

1. Dé vuelta su aspiradora. Presione las lengüetas de liberación del cepillo giratorio donde estén marcadas con un círculo. Quite la cubierta del cepillo giratorio para acceder al cepillo giratorio.
2. Utilice la herramienta quitapolvo para limpiar unidad ciclónico.



INSTRUCCIONES DE USO

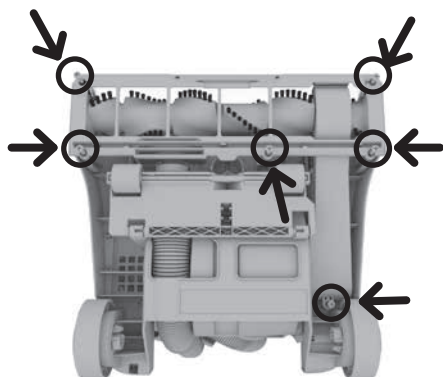


PRECAUCIÓN

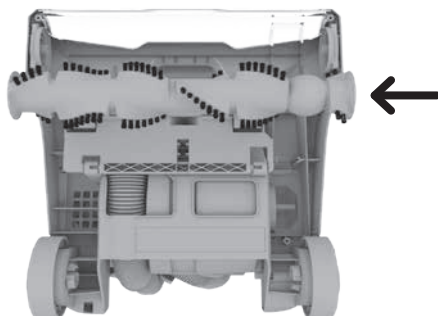
Para reducir el riesgo de lesión derivado de las piezas móviles, desconecte el aparato antes de realizarle el servicio de mantenimiento.

LIMPIEZA DEL CEPILLO GIRATORIO

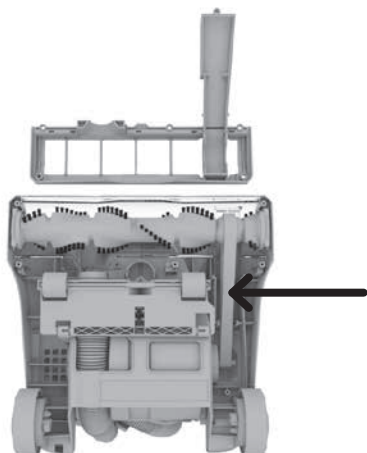
1. Dé vuelta su aspiradora. Utilice un destornillador Phillips para extraer los seis tornillos. Extraiga la placa base.



2. Coloque el elevador giratorio en posición ascendente.



3. Limpie el cepillo giratorio y luego.



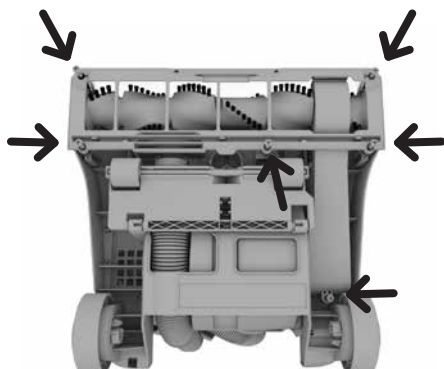
INSTRUCCIONES DE USO

⚠ PRECAUCIÓN

Para reducir el riesgo de lesión derivado de las piezas móviles, desconecte el aparato antes de realizarle el servicio de mantenimiento.

REPLACE THE BELT

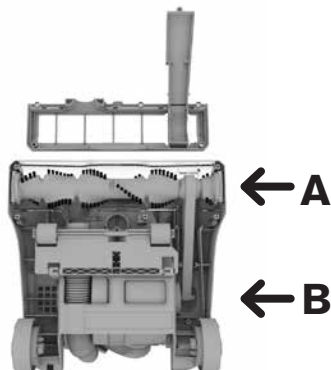
1. Dé vuelta su aspiradora. Utilice un destornillador Phillips para extraer los seis tornillos. Extraiga la placa base.



2. Repita los pasos 1 y 2. Luego, extraiga la correa vieja. Deslice una nueva correa con las letras hacia afuera.

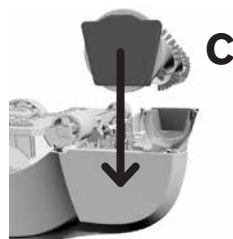


3. Deslice la correa alrededor del cepillo giratorio en el área sin cerdas (A) y la clavija de metal (B). Cada extremo del cepillo giratorio encajará en los bolsillos a cada lado de la boquilla (C). Vuelva a colocar la placa y atorníllelos.



LUBRICACIÓN:

El motor y el rodillo de cepillos están equipados con rodamientos que contienen suficiente lubricación para su vida útil. Agregar lubricante podría provocar daños. No agregue lubricante al motor ni al rodillo de cepillos.



Para reemplazar Correa estilo 5 visite el sitio dirtdevil.com o llámenos al (800) 321-1134.



NOTA: Todo otro servicio de mantenimiento deberá ser realizado por personal técnico autorizado. Si el aparato no funciona como debe, si se ha caído o dañado, o si se lo ha dejado a la intemperie o ha sido sumergido en agua, llévelo a un Centro Técnico antes de continuar usándolo.

RESOLUCIÓN DE PROBLEMAS



ADVERTENCIA

Para disminuir el riesgo de lesiones físicas, desenchufe la unidad antes de limpiarla o realizarle un servicio de mantenimiento.

PROBLEMA	CAUSA POSIBLE	SOLUCIÓN POSIBLE
La aspiradora no funciona.	1. El cable de alimentación no está enchufado con firmeza en el tomacorriente.	1. Enchúfelo firmemente.
	2. Fusible quemado o disyuntor activado.	2. Revise el fusible o el disyuntor del hogar.
	3. Verifique que no haya voltaje en el tomacorriente.	3. Reemplace el fusible/reinicie el disyuntor del hogar.
	4. Protector térmico activado.	4. Desenchufe la aspiradora y déjela enfriar durante 30 minutos. (Esto hará que el protector térmico se reinicie.)
Sale polvo de la aspiradora	1. Copa de recolección de residuos llena.	1. Vacíe la copa de recolección de residuos.
	2. Copa de recolección de residuos colocada incorrectamente.	2. Revise la sección de Reemplazo y extracción de la copa de recolección de residuos.
	3. La manguera no está colocada correctamente.	3. Revise la sección de colocación de la manguera.
	4. Los elementos enjuagables o el filtro fabricados con materiales HEPA no están completamente instalados.	4. Revise la sección Extracción y limpieza del filtro.
Detección de olor a humo/ quemado.	1. Correa rota o estirada.	1. Reemplace la correa del cepillo giratorio.
	2. El cepillo giratorio está obstruido.	2. Limpie/Quite los residuos del cepillo giratorio.
Las herramientas de aspiración no aspiran.	1. La manguera está tapada.	1. Extraiga la manguera y las herramientas. Elimine la obstrucción.
	2. La copa de recolección de residuos está llena.	2. Vacíe la copa de recolección de residuos.
	3. Uno o ambos filtros están obstruidos.	3. Extraiga ambos filtros y límpielos.
	4. Libere la manija/tubo de extensión para accionar la válvula interna.	4. Tire de la manija hacia arriba y hacia afuera de la unidad.
	5. La aspiradora no aspira los residuos.	5. Es posible que el cepillo giratorio esté desactivado o que la correa esté rota.

GARANTÍA LIMITADA

INFORMACIÓN DE SERVICIO Y GARANTÍA LIMITADA PARA PRODUCTOS DIRT DEVIL®

Si este producto no cumple con la garantía, comuníquese con el Centro de respuesta al consumidor de Dirt Devil® llamando al 1-800-321-1134. Tenga a mano el comprobante de compra y el número de modelo para el producto cubierto por la garantía.

COBERTURA DE LA GARANTÍA LIMITADA:

Esta garantía limitada provista por Royal Appliance Mfg. Co., que realiza negocios como TTI Floor Care North America (a la que se hará referencia como "Dirt Devil" en el presente documento) se aplica solo a productos adquiridos en EE. UU. (incluidos sus territorios y posesiones), en una Tienda de intercambios militares de los EE. UU. o en Canadá. En casos de uso y mantenimiento domésticos en condiciones normales y conforme a la Guía del propietario, el producto Dirt Devil® tiene garantía contra fallas de fábrica en los materiales y fallas por mano de obra durante la cantidad de años desde la fecha de compra original indicada anteriormente (en adelante, el "Plazo de la garantía"). Si Dirt Devil determina que el problema que presenta cuenta con la cobertura de los términos de esta garantía (un "reclamo de la garantía cubierto"), a nuestro criterio y sin costo (sujeto al costo de envío), repararemos su producto o enviaremos un producto de reemplazo, que será nuevo o refabricado y estará sujeto a disponibilidad. Las piezas y reemplazos pueden ser nuevos, reacondicionados, con poco uso o refabricados, según el criterio de Dirt Devil. Si no hay piezas y reemplazos disponibles, a nuestro criterio, podemos otorgar un producto similar de igual o superior valor, un crédito para la compra (si corresponde) o reembolsar el precio de la compra real al momento de la compra original, tal como se indique en el recibo de venta original.

PERSONAS AFECTADAS POR LA COBERTURA DE LA GARANTÍA LIMITADA:

Esta garantía limitada se extiende únicamente al comprador minorista original, con comprobante de compra original de Dirt Devil o un distribuidor autorizado de productos Dirt Devil, en EE. UU., en Tiendas de intercambios militares de los EE. UU., y en Canadá.

¿QUÉ ES LO QUE NO CUBRE ESTA GARANTÍA LIMITADA?:

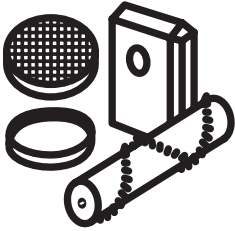
Esta garantía no cubre el uso del producto en operaciones comerciales (tales como servicios de limpieza, portería y servicios de alquiler de equipos, u otra actividad generadora de ingresos); el mantenimiento inadecuado del producto; el producto si ha sido expuesto a abuso, negligencia, mal uso, vandalismo o el uso de voltajes diferentes a los especificados en la placa de identificación del producto. Esta garantía no cubre los daños resultantes de actos fortuitos, accidentes, actos de omisión del propietario, servicio de este producto por parte de otra entidad distinta de Dirt Devil o un proveedor de servicios autorizado por Dirt Devil (si corresponde), u otros actos que estén más allá del control de Dirt Devil. Esta garantía tampoco cubre el uso fuera del país en el que se compró el producto originalmente, o la reventa del producto por parte del propietario original. Esta garantía no cubre la recolección, la entrega, el transporte ni las llamadas domésticas. Además, esta garantía no cubre ningún producto que haya sido alterado o modificado, reparado en forma necesaria por el desgaste normal, o en el cual se hayan utilizado piezas o accesorios incompatibles con el producto Dirt Devil o que afecten de manera negativa su funcionamiento, rendimiento o durabilidad. Los elementos con desgaste normal que no estén cubiertos por esta garantía incluyen, entre otros, correas, filtros, cepillos giratorios, tubos aspiradores, y bolsas y correas para la aspiradora.

OTROS TÉRMINOS IMPORTANTES

Esta garantía no es transferible y no puede asignarse, cualquier asignación realizada en contravención con esta prohibición quedará nula. Esta garantía se registrará e interpretará bajo las leyes del estado de Carolina del Norte. El Plazo de la garantía no se prolongará por el reemplazo de las baterías o piezas, ni por cualquier reparación realizada conforme a esta garantía.

ESTA GARANTÍA TIENE PREVALENCIA EXCLUSIVA COMO TAL Y COMO RECURSO LEGAL, Y QUEDAN EXPRESAMENTE RECHAZADAS TODAS LAS GARANTÍAS EXPRESAS E IMPLÍCITAS DIFERENTES DE LA GARANTÍA LIMITADA ESTABLECIDA ANTERIORMENTE RESPECTO DE ESTE PRODUCTO, CON INCLUSIÓN DE LAS GARANTÍAS IMPLÍCITAS DE APTITUD PARA LA VENTA O ADECUACIÓN A FINES ESPECÍFICOS. EN NINGÚN CASO, DIRT DEVIL SERÁ RESPONSABLE POR LOS DAÑOS ESPECIALES, INDIRECTOS, INCIDENTALES O CONSECUENTES DE NINGÚN TIPO QUE SUFRA EL PROPIETARIO O CUALQUIER PARTE QUE RECLAME POR INTERMEDIO DE ESTE, YA SEA CON BASE EN UN CONTRATO, POR NEGLIGENCIA, HECHO ILÍCITO CIVIL O RESPONSABILIDAD OBJETIVA, NI POR NINGUNA OTRA CAUSA. EN LA MÁXIMA MEDIDA PERMITIDA POR LAS LEYES APLICABLES, NINGUNA GARANTÍA QUE SURJA DE LA APLICACIÓN DE LA LEY, SI ES APLICABLE, SUPERARÁ LA DURACIÓN DE LA GARANTÍA LIMITADA AQUÍ PROVISTA. La responsabilidad de Dirt Devil por daños y por todo gasto que surja de esta declaración de garantía limitada quedará restringida al monto abonado por este producto al momento de su compra original, y Dirt Devil no será responsable de ningún daño directo, indirecto, emergente o incidental que surja del uso o la imposibilidad de uso de este producto. Tanto los descargos como las limitaciones de responsabilidad establecidos anteriormente se aplicarán incluso en el caso de que esta garantía limitada no cumpla con su propósito esencial.

Algunos estados no permiten la exclusión o la limitación de daños incidentes o consecuentes, descargos de garantías implícitas o limitaciones con respecto a la duración de garantías implícitas; por lo tanto, es posible que las exclusiones, los descargos o las limitaciones no se apliquen en su caso. Esta garantía le otorga derechos legales específicos. También puede tener otros derechos, que varían según el estado.



Encuentre piezas de repuesto **GENUINAS** en el sitio www.dirtdevil.com.

En este producto se utilizan las siguientes piezas:

CORREA ESTILO	_____	5
FILTRO PREMOTOR	_____	F112
FILTRO DE ESCAPE	_____	F111



Llame a nuestro Departamento de servicio al cliente al **(800) 321-1134**
8:00 a. m. - 7:00 p. m. hora del este

NUESTRAS ASPIRADORAS HABLAN POR SÍ MISMAS

Siga la conversación...



[Facebookcom/DirtDevil](https://www.facebook.com/DirtDevil)



[Twitter@DirtDevil](https://twitter.com/DirtDevil)

www.dirtdevil.com