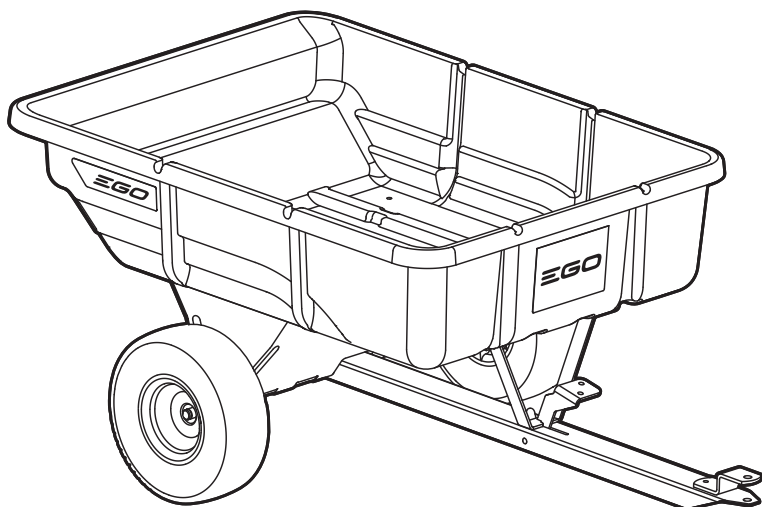


EGO™

POWER⁺ RIDING MOWERS™



OPERATOR'S MANUAL

RIDING MOWER TOW BEHIND UTILITY CART

MODEL NUMBER ADT1000/ADT1000-FC

Français p. 25

Español p. 51

⚠ WARNING To reduce the risk of injury, the user must read and understand the Operator's Manual before using this product. Save these instructions for future reference.

TABLE OF CONTENTS



**READ & UNDERSTAND
OPERATOR'S MANUAL**

Safety Symbols	3
Safety Instructions for Cart	4-6
Symbols	7
Introduction	8
Specifications	8
Description	9-10
Assembly	11-17
Operation	18-20
Maintenance	21
EGO Limited Warranty	22-23

SAFETY SYMBOLS

The purpose of safety symbols is to attract your attention to possible dangers. The safety symbols and the explanations with them deserve your careful attention and understanding. The symbol warnings do not, by themselves, eliminate any danger. The instructions and warnings they give are no substitutes for proper accident prevention measures.

⚠ WARNING Be sure to read and understand all safety instructions in this Operator’s Manual, including all safety alert symbols such as “**DANGER**”, “**WARNING**”, and “**CAUTION**” before using this machine. Failure to follow all instructions listed below may result in electric shock, fire, and/or serious personal injury.

The definitions below describe the level of severity for each signal word. Please read the manual and pay attention to these symbols.

	This is the safety alert symbol. It is used to alert you to potential personal injury hazards. Obey all safety messages that follow this symbol to avoid possible injury or death.
⚠ DANGER	DANGER indicates a hazardous situation which, if not avoided, will result in death or serious injury.
⚠ WARNING	WARNING indicates a hazardous situation which, if not avoided, could result in death or serious injury.
⚠ CAUTION	CAUTION, used with the safety alert symbol, indicates a hazardous situation which, if not avoided, will result in minor or moderate injury.

DAMAGE PREVENTION AND INFORMATION MESSAGES

These inform the user of important information and/or instructions that could lead to equipment or other property damage if they are not followed. Each message is preceded by the word “NOTICE”, as in the example below:

NOTICE Equipment and/or property damage may result if these instructions are not followed.

SAFETY INSTRUCTIONS FOR CART

- Do not place gas container in cart. Avoid injury from explosion.
- No riders are allowed in in cart. Riders can fall off and be killed.
- Do not exceed maximum towing capacity of towing machine listed in the machine's operator's manual.
- Do not exceed maximum cart load capacity listed in cart operator's manual.
- Reduce loaded cart weight on slopes and/or slippery surfaces.
- Do not exceed 8 mph (13 kph) when towing cart.

OPERATE SAFELY

- This cart is intended for use in lawn care and home applications. Do not tow behind a vehicle on a highway. Do not tow at speeds higher than maximum recommended towing speed.
- Towing speed should always be slow enough to maintain control. Travel slowly over rough ground.
- Do not let children or an untrained person operate machine.
- Do not let anyone, especially children, ride on machine or cart. Riders are subject to injury such as being struck by foreign object and being thrown off. Riders may also obstruct the operator's view, resulting in the machine being operated in an unsafe manner.
- Check machine brake action before you operate. Adjust or service brakes as necessary.
- Keep all nuts and bolts tight to be sure the equipment is in safe working condition.
- Keep all parts in good condition and properly installed. Fix damaged parts immediately. Replace worn or broken parts. Replace all worn or damaged safety and instruction decals.
- Do not modify the cart or safety devices. Unauthorized modifications to the cart may impair its function and safety.
- Securely anchor all loads to prevent loads from falling.
- Distribute load evenly for safe travel and unloading of cart.
- Do not obstruct the operator's view during use.

TOWING LOADS SAFELY

- Stopping distance increases with speed and weight of towed load. Travel slowly and allow extra time and distance to stop.
- Total towed weight must not exceed limits specified in towing machine operator's manual.
- Excessive towed load can cause loss of traction and loss of control on slopes. Reduce towed weight when operating on slopes.
- Never allow children or others in or on towed equipment.
- Use only approved hitches. Tow only with a machine that has a hitch designed for towing. Do not attach towed equipment except at the approved hitch point.
- Follow the manufacturer's recommendations for weight limits for towed equipment and towing on slopes. Use counterweights or wheel weights as described in the machine operator's manual.
- Do not turn sharply. Use additional caution when turning or operating on a rough surface. Use care when reversing.
- Do not shift to neutral and coast downhill.

PROTECT BYSTANDERS

- Keep bystanders away when you operate a towed cart.
- Before you back up the machine and cart, look carefully behind cart for bystanders.
- Keep riders off of a towed attachment.
- Riders on a towed cart are subject to injury, such as being struck by objects and being thrown off the cart during sudden starts, stops, and turns.
- Riders obstruct the operator's view resulting in the attachment being used in an unsafe manner.
- Keep riders off of hitch bracket.

AVOID INJURY FROM DRAWBAR

Before you disconnect the cart from machine hitch plate:

- Unload the cart.
- Stop the cart on level ground.
- Stop machine engine.



- Lock machine brake.
- Block cart wheels.
- Make sure hands, feet, or other body parts are not under drawbar.

SAVE THESE INSTRUCTIONS! Refer to them frequently and use them to instruct others who may use this appliance. If you loan this appliance to someone else, also loan these instructions to them to prevent misuse of the product and possible injury.

SYMBOLS

This page depicts and describes symbols that may appear on this product. Read, understand, and follow all instructions on the product before attempting to assemble and operate.

	Safety Alert	Indicates a potential personal injury hazard.
	Read & Understand Operator's Manual	To reduce the risk of injury, user must read and understand the operator's manual before using this product.
lbs.	Pounds	Weight
kg	Kilogram	Weight
m ³	Cubic Meter	Volume
ft ³	Cubic Foot	Volume
km/h	Kilometers per Hour	Velocity
MPH	Miles per Hour	Velocity
kPa	Kilopascal	Pressure
psi	Pounds per Square Inch	Pressure
°F	Degrees Fahrenheit	Temperature
°C	Degrees Celsius	Temperature



INTRODUCTION

Congratulations on your selection of Riding Mower Tow Behind Utility Cart. It has been designed, engineered and manufactured to give you the best possible dependability and performance.

Should you experience any problem you cannot easily remedy, please contact EGO customer service 1-877-346-9876 (1-877-EGO-ZTRM).

This manual contains important information on to the safe assembly, operation and maintenance of your utility cart. Read it carefully before using the utility cart. Keep this manual handy so you can refer to it at any time.

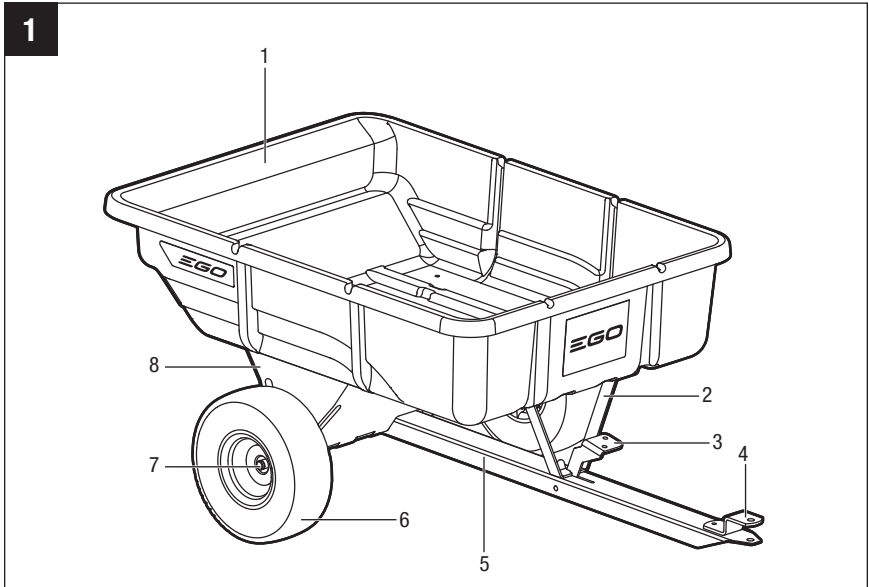
SERIAL NUMBER _____ DATE OF PURCHASE _____
YOU SHOULD RECORD BOTH SERIAL NUMBER AND DATE OF PURCHASE AND KEEP IN A SAFE PLACE FOR FUTURE REFERENCE

SPECIFICATIONS

Empty Weight	45 lbs. (20.4 kg)
Maximum Load	450 lbs. (204 kg)
Maximum Tongue Weight	100 lbs. (45 kg)
Bed Capacity (Heaped)	7 ft ³ (0.2 m ³)
Maximum Towing Speed	8 MPH (13 km/h)
Tire Size	13x4-6
Cold Tire Pressure	30 psi (207 kPa)

DESCRIPTION

KNOW YOUR CART (Fig. 1)



- | | |
|-----------------|-----------------|
| 1. Cart Bed | 5. Drawbar |
| 2. Lock Bracket | 6. Wheel (x2) |
| 3. Foot Pedal | 7. Axle |
| 4. Clevis | 8. Axle Support |

⚠ WARNING The safe use of this product requires an understanding of the information on the product and in this instruction manual, as well as knowledge of the project you are attempting. Before use of this product, familiarize yourself with all operating features and safety rules.

Axle

Rod passing through the cart wheels.

Axle Support

Provides support to connect rotating axle to cart bed.

Cart Bed

Cart bed can be used to hold a load of 7 ft³ (0.2 m³) heaped or 450 lbs (204 kg).

Clevis

Component for point of connection between the cart and method of transportation.

Drawbar

The component connecting the axle and the point of transportation.

Foot Pedal

Used to unlock the cart bed and dump contents.

Lock Bracket

Locks the cart bed into position for transportation and loading.

Wheels

The wheels are used to quickly roll the cart.

ASSEMBLY

⚠ WARNING If any parts are damaged or missing, do not operate this product until the parts are replaced. Use of this product with damaged or missing parts could result in serious personal injury.

⚠ WARNING Do not attempt to modify this product or create accessories not recommended for use with this product. Any such alteration or modification is misuse and could result in a hazardous condition leading to possible serious personal injury.

UNPACKING

This product requires assembly.

- Carefully remove the product and any accessories from the box. Make sure that all items listed in the "**PACKING LIST**" are included.

⚠ WARNING Do not use this product if any parts on the packaging list are already assembled to your product when you unpack it. Parts on this list are not assembled to the product by the manufacturer and require customer installation. Use of a product that may have been improperly assembled could result in serious personal injury.

- Inspect the product carefully to make sure no breakage or damage occurred during shipping.
- Do not discard the packing material until you have carefully inspected and satisfactorily operated the product.
- If any parts are damaged or missing, please return the product to the place of purchase.

Required Tools (not included):








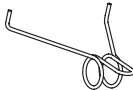
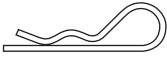


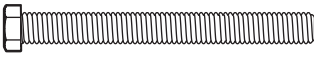
- Flathead Screwdriver
- 1/2" Open-end Wrench or Socket Wrench
- 9/16" Open-end Wrench or Socket Wrench
- Pliers



PACKING LIST

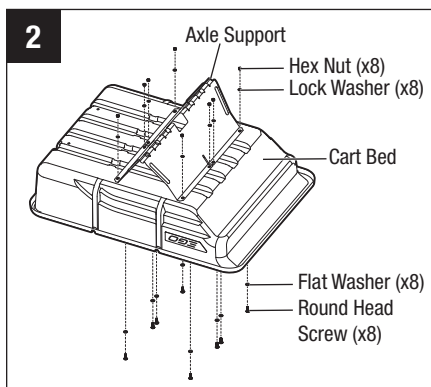
PART NAME		QUANTITY
Cart Bed		1
Axle Support Assembly	Axle Support	1
	Round Head Screw, 5/16" x 1"	8
	Flat Washer, 5/16"	8
	Lock Washer, 5/16"	8
	Hex Nut, 5/16"-18	8
Lock Bracket Assembly	Lock Bracket	1
	Round Head Screw, 5/16" x 1"	2
	Flat Washer, 5/16"	2
	Lock Washer, 5/16"	2
	Hex Nut, 5/16"-18	2
Drawbar Assembly	Drawbar	1
	Foot Pedal (with grip tape assembled)	1
	Hex Head Bolt, 3/8" x 3-3/4"	1
	Keps Hex Nut, 3/8"-16	2
	Hex Lock Nut, 3/8"-16	1
	Handle Spring	1
Clevis Assembly	Clevis	1
	Round Head Screw, 5/16" x 1"	2
	Lock Washer, 5/16"	2
	Hex Nut, 5/16"-18	2
	Hitch Pin, 1/2" x 2-1/2"	1
	Cotter Pin, 1/8"	1
Wheel Assembly	Wheel	2
	Axle	1
	Nylon Bushing	4
	3/4" E-Ring	2
Operator's Manual		1

HARDWARE IDENTIFIER

Flat Washer, 5/16" (X10)		Lock Washer, 5/16" (X12)	
Hex Nut, 5/16"-18 (X12)		Keps Hex Nut, 3/8"-16 (X2)	
Hex Lock Nut, 3/8"-16 (X1)		Nylon Bushing (X4)	
3/4" E-Ring (X2)		Handle Spring (X1)	
Cotter Pin, 1/8" (X1)			
Round Head Screw, 5/16"x 1" (X12)			
Hitch Pin, 1/2" x 2-1/2" (X1)			
Hex Head Bolt, 3/8" x 3-3/4" (X1)			

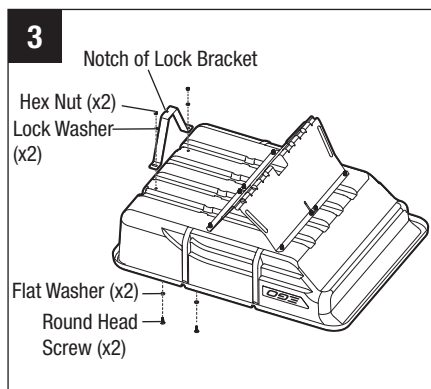
INSTALLING THE AXLE SUPPORT (Fig. 2)

1. With the bottom of the cart bed facing upside, install the axle support onto the bottom of the cart bed.
2. Align the holes and insert eight round head screws $5/16"$ x $1"$ with eight flat washers $5/16"$ from inside bed through the axle support.
3. Install eight lock washers $5/16"$ and eight hex nuts $5/16"$ -18 onto the screws.
4. Securely tighten them.



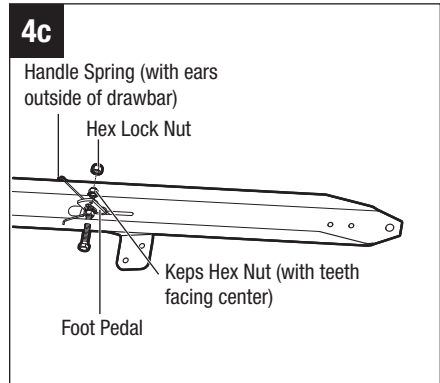
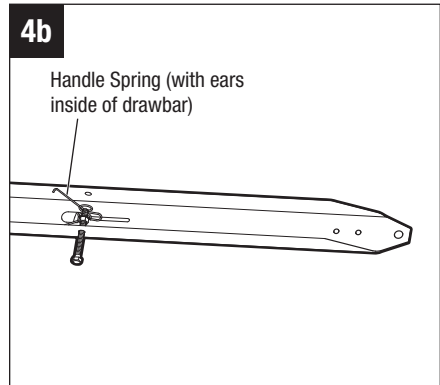
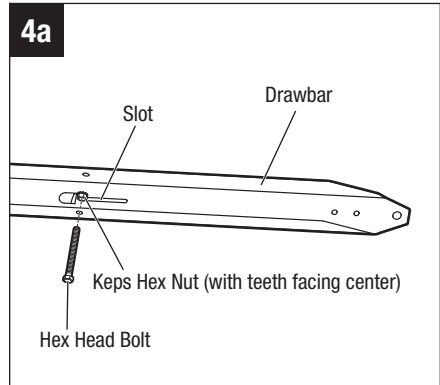
INSTALLING THE LOCK BRACKET (Fig. 3)

1. With the notch of the lock bracket facing away from the axle support, align the two holes of the lock bracket with the holes of the cart bed.
2. Insert two round head screws $5/16"$ x $1"$ with two flat washers $5/16"$ from inside bed through the lock bracket.
3. Install two lock washers $5/16"$ and two hex nuts $5/16"$ -18 onto the screws.
4. Securely tighten them.



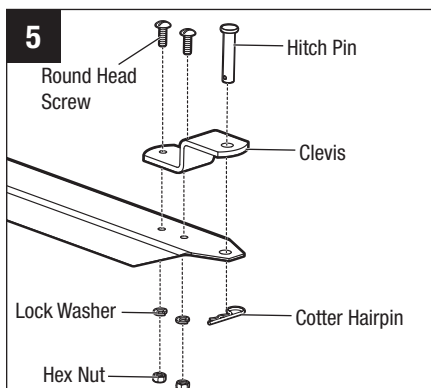
ASSEMBLING THE DRAWBAR

1. Insert the hex head bolt $3/8"$ x $3-3/4"$ into the hole of the drawbar until its end is flush with edge of slot.
2. With teeth facing the center of the drawbar, screw one Keps hex nut $3/8"$ -16 onto the bolt (Fig. 4a).
3. Position the ears of the handle spring inside of the drawbar, and then hang one side of the handle spring over the bolt with correct orientation as shown in Fig. 4b.
4. With the tab of the foot pedal facing toward front of the drawbar, insert the foot pedal plate from the bottom of the drawbar through the slot.
5. Hang the foot pedal plate over the bolt.
6. Hang the other side of the handle spring over the bolt. Now the foot pedal is positioned inside the spring.
7. With teeth facing the center of the drawbar, screw the second Keps hex nut $3/8"$ -16 onto the bolt.
8. Adjust the Keps nuts until the bolt is completely through drawbar and foot pedal is centered in slot (Fig. 4c).
9. Install the hex lock nut $3/8"$ -16 from outside of drawbar onto the bolt, leaving bolt snug, but be able to rotate.
10. Tighten Keps nuts so that the foot pedal is centered in drawbar slot.
11. Pull spring ears out from inside of drawbar and hook over edge as shown in Fig. 4c.



Installing the Clevis onto the Drawbar (Fig. 5)

1. Align the holes of the clevis with the holes of the drawbar, insert two round head screws $5/16" \times 1"$ into each hole.
2. Screw two lock washers $5/16"$ and hex nuts $5/16"-18$ onto the screws.
3. Securely tighten them.
4. Install the hitch pin $1/2" \times 2-1/2"$ and cotter pin $1/8"$ onto the clevis for storage

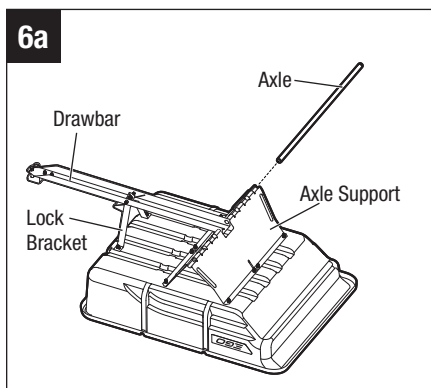


INSTALLING THE DRAWBAR AND WHEELS

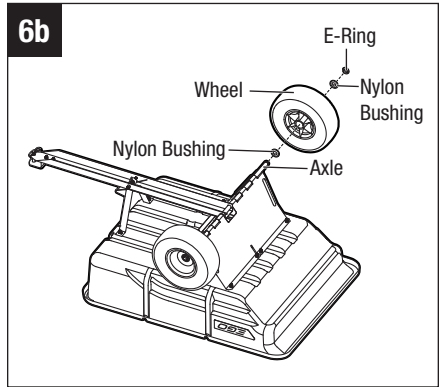
1. Align the holes of the drawbar assembly with the holes of the axle support, position the drawbar assembly onto the lock bracket.
2. Insert the axle through the axle support and the drawbar (Fig. 6a).

NOTE: A light coating of grease or oil (not included) on axle will aid in inserting the axle through the axle support.

3. Ensure that lock bracket engages foot pedal. Adjustment can be made by loosening the two screws securing the lock bracket and moving the lock bracket forward or back to change engagement and/or ease of operation.
4. Install one nylon bushing on one end of the axle.
5. With valve facing outside, install one wheel on the axle.
6. Install the second nylon bushing on the axle.



7. Use pliers (not included) to install e-ring into the groove of the axle (Fig. 6b).
8. Install the other wheel on other end of the axle in same sequence.
9. Inflate tires to correct tire pressure.



OPERATION

⚠ WARNING Do not allow familiarity with this product to make you careless. Remember that a careless fraction of a second is sufficient to inflict serious injury.

⚠ WARNING Do not use any attachments or accessories not recommended by the manufacturer of this product. The use of attachments or accessories not recommended can result in serious personal injury.

APPLICATION

You may use this product for the purposes listed below:

- Transportation and storage of material and items up to 7 ft³ (0.2 m³) heaped or 450 lbs (204 kg).

ATTACHING THE CART TO THE TOWING MACHINE (Fig. 7)

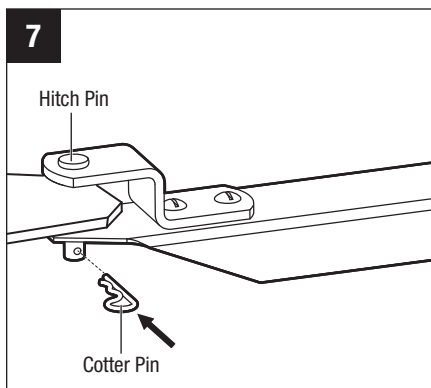
⚠ WARNING Avoid injury. Before attaching cart, make sure the foot pedal is locked in place.

1. Lock the cart in place using the foot pedal.
2. Park the machine safely. (See towing machine's Operator's Manual.)
3. Align the hole of the cart drawbar with the hitch hole of the machine.
4. Install the hitch pin through holes.
5. Secure the hitch pin with cotter pin.

To detach the cart:

⚠ WARNING Avoid injury. Keep hands, feet and other body parts away from under drawbar.

1. Park the machine safely. (See towing vehicle's Operator's Manual.)
2. Unload cart.
3. Remove cotter pin and hitch pin.

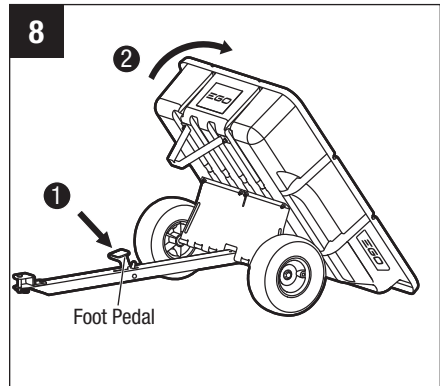


4. Push cart away from machine. Block cart wheels.
5. Install hitch pin and cotter pin onto the drawbar for storage.

UNLOADING THE CART (Fig. 8)

⚠ WARNING Avoid injury. Before backing up, make sure the area is clear of bystanders, especially children. Before dumping the cart, park the machine safely, make sure cart is connected to the towing machine, and make sure area is clear of bystanders, especially children.

1. Park the machine safely. (See towing machine's Operator's Manual.)
2. Depress the foot pedal to release the cart bed.
3. Tilt the cart bed back to unload the cart.
4. Put the cart bed down, depress the foot pedal and release it to lock the cart bed in place.



DETERMINING WEIGHT FOR THE CART

⚠ WARNING Avoid injury. Excessive towed load can cause loss of traction and loss of control on slopes. Stopping distance increases with speed and weight of towed load. Total towed weight must not exceed combined weight of pulling machine, operator and front ballast, or the maximum capacity of the cart.

The amount you can carry in your cart is dependent on two factors:

- The combined weight of the pulling machine, the operator weight & potential front ballast.
- The maximum capacity of the cart.

Begin by adding the operator weight to the machine weight. If this total is less than the maximum cart capacity, you can carry more in the cart by adding front ballast to the machine. You can continue to add ballast until you reach the maximum capacity of the cart.



The maximum capacity you carry in this cart cannot be more than the total of the machine weight, the weight of the operator and any ballast, or the maximum capacity of the cart.

Example:

If Towing Machine Weighs: 500 lbs (226.8 kg)

Add Your Weight: 200 lbs (90.7 kg)

Combined Weight Equals: 700 lbs (317.5 kg)

To maintain stability using the cart in this example, you cannot safely carry more than 700 lbs (317.5 kg) without first adding additional ballast to the towing machine.

MAINTENANCE

NOTICE Periodically inspect the entire product for damaged, missing, or loose parts such as screws, nuts, bolts, caps, etc. Tighten securely all fasteners and caps and do not operate this product until all missing or damaged parts are replaced.

GENERAL MAINTENANCE

Avoid using solvents when cleaning plastic parts. Most plastics are susceptible to damage from various types of commercial solvents and may be damaged by their use.

Use clean cloth to remove dirt, dust, oil, grease, etc.

Wash cart bed with fresh water after each use to avoid damage to bed or hardware.

WARNING Do not at any time let brake fluids, gasoline, petroleum-based products, penetrating oils, etc., come in contact with plastic parts. Chemicals can damage, weaken or destroy plastic which may result in serious personal injury.

LUBRICATING THE CART

Lubricate wheel bushings annually or more frequently with heavy use.

CHECKING THE TIRE PRESSURE

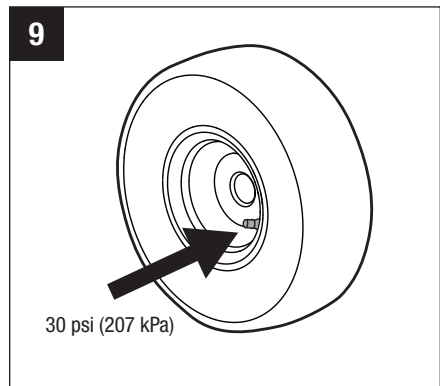
Check and make sure both tires are inflated to the pressure shown in Fig. 9.

Required tools (not included):

- Tire pressure gauge;
- Air compressor / inflator or heavy-duty bicycle pump.

WARNING Check the tire pressure carefully while inflating. Too much air in the tire could cause the tire to burst, causing serious personal injury.

WARNING Maintaining correct air pressure in the tires is very important. Too little pressure could allow the tire to rotate off the wheel rim. Too much pressure could cause the tire to burst. Failure to maintain correct air pressure in the tires could cause problems with cart operation and stability, causing serious personal injury.





EGO LIMITED WARRANTY

WARRANTY POLICY TERMS AND DURATION

Chervon North America, Inc. (“Chervon North America”) provides the following Limited Warranty for EGO products to the original purchaser of EGO products.

The detailed warranty period for each EGO product can be found online at <http://egopowerplus.com/warranty-policy>.

Please contact EGO Customer Service Toll-Free at 877-346-9876 (877-EGO-ZTRM) any time you have questions or warranty claims.

LIMITED SERVICE WARRANTY

EGO products are warranted against defects in material or workmanship from the date of original retail purchase for the applicable warranty period. For any properly and timely submitted warranty claim, if Chervon North America determines a product to be defective during the warranty period, the product will receive free repair or replacement as determined by Chervon North America.

HOW TO OBTAIN SERVICE

For warranty service, within the applicable warranty period, please contact EGO customer service toll-free at 877-346-9876 (877-EGO-ZTRM). When requesting warranty service, you must present the original dated sales receipt. An authorized service center will be selected to evaluate and repair the product if defective according to the stated warranty terms. When bringing your product to the authorized service center, there may be a small deposit that will be required when dropping off your tool. This deposit is refundable when the repair service is deemed to be covered under warranty. The purchaser is responsible for transportation of any outdoor power equipment or attachments at their expense.

ADDITIONAL LIMITATIONS & EXCLUSIONS

This limited warranty applies only to the original purchaser from an authorized EGO retailer and is not transferable. EGO products shall not be considered defective, and this warranty will not apply, where the claimed defect is attributable to any cause other than the above-defined defects. This warranty shall be void if the product has been used for rental purposes. This warranty shall not apply to damage caused by accident, abuse, misuse, alteration, modification, unauthorized repair, liquid contact, fire, earthquake or other external cause; operating the product outside EGO's instructions, specifications or guidelines; or failure to properly service or maintain the product. This warranty also does not apply to cosmetic damage, including but not limited to scratches or dents; defects caused by normal wear and tear or otherwise due to the normal aging of the product.

THIS EXPRESS WARRANTY IS GIVEN IN LIEU OF ALL OTHER WARRANTIES, EXPRESS OR IMPLIED, INCLUDING, BUT NOT LIMITED TO, ANY WARRANTIES OF MERCHANTABILITY OR FITNESS FOR PARTICULAR PURPOSE OR USE, WHICH ARE DISCLAIMED. Any implied warranties, including warranties of merchantability or fitness for a particular purpose, that cannot be disclaimed under state law are limited to the applicable warranty period defined at the beginning of this article. The sole and exclusive remedy in connection with the purchase, installation, use, and/or performance of the EGO products is repair or replacement of the product as determined by Chervon North America. Chervon North America's maximum liability shall not in any case exceed the purchase price paid for the product. CHERVON NORTH AMERICA SHALL NOT BE LIABLE TO THE USER OR TO ANYONE ELSE FOR CONSEQUENTIAL, INCIDENTAL, SPECIAL, EXEMPLARY, INDIRECT, OR PUNITIVE DAMAGES ARISING FROM USE OF THE PRODUCTS, INCLUDING BUT NOT LIMITED TO PERSONAL INJURY, DEATH, PROPERTY DAMAGE, LOST PROFITS, OR OTHER ECONOMIC INJURY. This warranty gives you specific legal rights, and you may also have other rights which vary from state to state. Some states do not allow limitations on how long an implied warranty lasts, the exclusion or limitation of incidental or consequential damages, or the limitations on time to bring certain actions, so such limitations contained herein do not apply to individual consumers in those states.

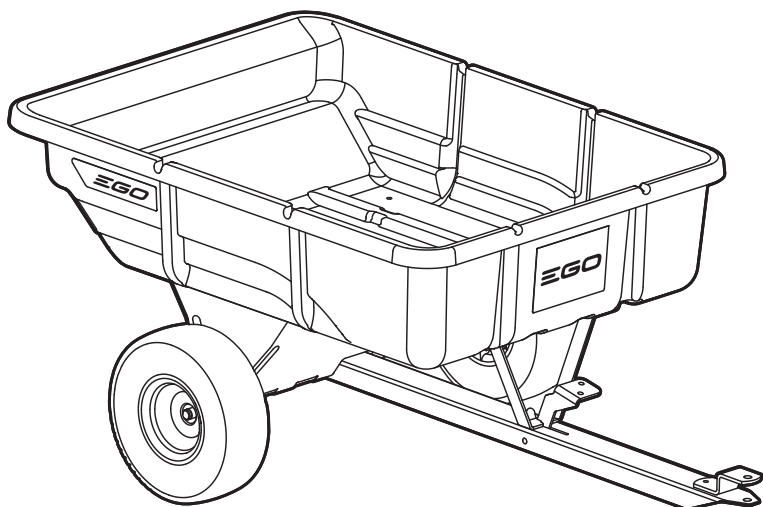
This warranty is subject to and shall be interpreted according to Michigan law without regard to principles of conflicts of laws. No legal action shall be brought against Chervon North America unless filed within one (1) year after the basis for such legal action becomes known, or with the exercise of reasonable diligence should have become known. Any action not timely filed shall be deemed waived.

For customer service contact us toll-free at: **877-346-9876 (877-EGO-ZTRM)** or **EGOPOWERPLUS.COM**.

EGO Customer Service
769 Seward Ave. NW, Suite 102
Grand Rapids, Michigan 49504.

EGO™

POWER⁺ RIDING MOWERS™



GUIDE D'UTILISATION

CHARIOT UTILITAIRE REMORQUÉ PAR UNE TONDEUSE À CONDUCTEUR PORTÉ

NUMÉRO DE MODÈLE ADT1000/ADT1000-FC

⚠ AVERTISSEMENT Afin de réduire les risques de blessure, l'utilisateur doit lire et comprendre le guide d'utilisation avant d'utiliser ce produit. Conservez le présent guide afin de pouvoir le consulter ultérieurement.

TABLE DES MATIÈRES



LISEZ LE MODE D'EMPLOI ET
ASSUREZ-VOUS QUE VOUS LE COMPRENEZ

Symboles relatifs à la sécurité	27
Instructions relatives à la sécurité pour le chariot	28-30
Symboles	31
Introduction	32
Spécifications	32
Description	33-34
Assemblage	35-41
Fonctionnement	42-44
Maintenance	45-46
Garantie limitée EGO	47-49

SYMBOLES RELATIFS À LA SÉCURITÉ

L'objectif des symboles de sécurité est d'attirer votre attention sur les dangers potentiels. Vous devez examiner attentivement et bien comprendre les symboles de sécurité et les explications qui les accompagnent. Les symboles d'avertissement en tant que tels n'éliminent pas le danger. Les consignes et les avertissements qui y sont associés ne remplacent en aucun cas les mesures préventives adéquates.

⚠ AVERTISSEMENT Assurez-vous de lire et de comprendre toutes les consignes de sécurité présentées dans le présent mode d'emploi, notamment toutes les consignes de sécurité indiquées par « **DANGER** », « **AVERTISSEMENT** » et « **MISE EN GARDE** ». Le non-respect des consignes de sécurité ci-dessous peut occasionner une décharge électrique, un incendie ou des blessures graves.

Les définitions ci-dessous décrivent le niveau de gravité pour chaque terme signalant un danger. Veuillez lire le mode d'emploi et regarder la signification de ces symboles	
	C'est le symbole d'alerte relatif à la sécurité. Il est utilisé pour vous avertir de l'existence possible d'un danger de lésion corporelle. Obéissez à tous les messages relatifs à la sécurité qui suivent ce symbole pour éviter tout risque de blessure ou même de mort.
⚠ DANGER	DANGER indique une situation dangereuse qui, si elle n'est pas évitée, causera la mort d'une personne ou une blessure grave.
⚠ AVERTISSEMENT	AVERTISSEMENT indique une situation dangereuse qui, si elle n'est pas évitée, pourrait causer la mort d'une personne ou une blessure grave.
⚠ MISE EN GARDE	MISE EN GARDE , conjointement avec le symbole d'alerte en liaison avec la sécurité, indique une situation dangereuse qui, si elle n'est pas évitée, causera une blessure légère ou modérée.

MESSAGES D'INFORMATION ET DE PRÉVENTION DES DOMMAGES

Ils informent l'utilisateur d'informations et/ou d'instructions importantes qui pourraient entraîner des dommages matériels ou aux équipements s'ils ne sont pas suivis. Chaque message est précédé par le terme « **AVIS** », comme dans l'exemple ci-dessous :

AVIS Un dommage matériel et/ou aux équipements peut survenir si ces instructions ne sont pas suivies.

INSTRUCTIONS RELATIVES À LA SÉCURITÉ POUR LE CHARIOT

- Ne placez pas de récipient contenant de l'essence dans le chariot. Évitez les blessures pouvant être causées par une explosion.
- Aucune personne n'est autorisée à monter dans le chariot. Des personnes se trouvant dans le chariot pourraient tomber et être tuées.
- Ne dépassez pas la capacité de remorquage maximale de la machine de remorquage indiquée dans le mode d'emploi de la machine.
- Ne dépassez pas la capacité de charge maximale du chariot qui est indiquée dans le mode d'emploi du chariot.
- Réduisez le poids du chariot chargé sur les pentes et/ou les surfaces glissantes.
- Ne dépassez pas 13 km/h / 8 mi/h lorsque vous remorquez le chariot.

UTILISATION EN TOUTE SÉCURITÉ

- Ce chariot est destiné à l'entretien des pelouses et à des applications domestiques. Ne le remorquez pas derrière un véhicule sur une autoroute. Ne le remorquez pas à des vitesses supérieures à la vitesse de remorquage maximale recommandée.
- La vitesse de remorquage doit toujours être suffisamment lente pour permettre de garder le contrôle. Déplacez-vous lentement sur un terrain accidenté.
- Ne laissez pas des enfants ou une personne non formée utiliser la machine.
- Ne laissez personne, en particulier des enfants, monter sur la machine ou le chariot. Toute personne transportée risque de se blesser, par exemple en étant heurtée par un objet étranger ou en étant projetée hors du chariot. Des personnes transportées peuvent également obstruer la vue de l'opérateur, ce qui entraîne une utilisation dangereuse de la machine.
- Vérifiez le mouvement du frein de la machine avant de l'utiliser. Ajustez les freins ou faites-les réparer si nécessaire.
- Assurez-vous que tous les écrous et boulons sont bien serrés pour que l'équipement puisse continuer à fonctionner sans danger.
- Maintenez toutes les pièces en bon état et correctement installées. Réparez immédiatement les pièces endommagées. Remplacez les pièces usées ou cassées. Remplacez tous les autocollants de sécurité et d'instructions usés ou endommagés.

- Ne modifiez pas le chariot ou les dispositifs de sécurité. Toute modification non autorisée du chariot pourrait nuire à son fonctionnement et à sa sécurité.
- Ancrez solidement toutes les charges pour éviter qu'elles ne tombent.
- Répartissez uniformément la charge pour assurer un déplacement et un déchargement sûrs du chariot.
- N'obstruez pas la vue de l'opérateur pendant l'utilisation.

REMORQUAGE DES CHARGES EN TOUTE SÉCURITÉ

- La distance d'arrêt augmente avec la vitesse et le poids de la charge remorquée. Avancez lentement et anticipez plus de temps et de distance pour vous arrêter.
- Le poids total remorqué ne doit pas dépasser les limites spécifiées dans le mode d'emploi de la machine de remorquage.
- Une charge remorquée excessive peut entraîner une perte de traction et une perte de contrôle sur les pentes. Réduisez le poids remorqué lorsque vous travaillez sur des pentes.
- Ne permettez jamais à des enfants ou à d'autres personnes de monter sur un équipement remorqué ou dans celui-ci.
- N'utilisez que des dispositifs d'attelage homologués. Ne remorquez qu'avec une machine équipée d'un dispositif d'attelage conçu pour le remorquage. N'attachez l'équipement remorqué qu'au point d'attelage approuvé.
- Suivez les recommandations du fabricant concernant les limites de poids pour les équipements remorqués et lorsque vous remorquez sur des pentes. Utilisez des contrepoids ou des masses d'équilibrage comme cela est indiqué dans le mode d'emploi de la machine.
- Ne tournez pas brusquement. Soyez encore plus prudent(e) lorsque vous tournez ou travaillez sur une surface rugueuse. Faites attention lorsque vous mettez en marche arrière.
- Ne passez pas au point mort et ne descendez pas une pente en roue libre.

PROTÉGEZ LES PERSONNES SE TROUVANT À PROXIMITÉ.

- Tenez à l'écart les personnes présentes lorsque vous utilisez un chariot remorqué.
- Avant de faire reculer la machine et le chariot, regardez attentivement derrière le chariot pour voir s'il y a d'autres personnes présentes.
- Ne laissez personne monter sur un attachement remorqué.

- Les passagers d'un chariot remorqué sont susceptibles de se blesser, par exemple en étant heurtés par des objets ou en étant projetés hors du chariot lors de démarrages, d'arrêts et de virages soudains.
- Les passagers gênent la vue de l'opérateur, ce qui entraîne une utilisation dangereuse de l'attelage.
- Ne laissez personne être à proximité du support d'attelage.

ÉVITEZ LES BLESSURES POUVANT ÊTRE CAUSÉES PAR LA BARRE D'ATTELAGE.

Avant de déconnecter le chariot de la plaque d'attelage de la machine :

- Déchargez le chariot.
- Arrêtez le chariot sur un terrain plat.
- Arrêtez le moteur de la machine.
- Verrouillez le frein de la machine.
- Bloquez les roues du chariot.
- Assurez-vous que les mains, les pieds ou d'autres parties du corps ne se trouvent pas sous la barre d'attelage.

CONSERVEZ CES INSTRUCTIONS ! Consultez-les fréquemment et utilisez-les pour donner les instructions nécessaires à d'autres personnes qui peuvent utiliser cet équipement. Si vous prêtez cet équipement à quelqu'un d'autre, remettez également ces instructions à la personne à laquelle vous le prêtez pour éviter toute utilisation inappropriée du produit et tout risque de blessure.

SYMBOLES

Cette page représente et décrit les symboles qui peuvent figurer sur ce produit. Lisez, comprenez et suivez toutes les instructions figurant sur le produit avant de tenter de l'assembler et de commencer à l'utiliser.

	Alerte relative à la sécurité	Indique un risque de blessure.
	Lisez le mode d'emploi, et assurez-vous que vous le comprenez.	Pour réduire le risque de blessure, l'utilisateur doit lire et comprendre le mode d'emploi avant de commencer à utiliser ce produit.
lb	Livres	Poids
kg	Kilogramme	Poids
m ³	Mètre cube	Volume
pi ³	Pied cube	Volume
km/h	Kilomètres / heure	Vitesse
mi/h	Miles par heure	Vitesse
kPa	Kilopascal	Pression
psi	Livres par pouce carré	Pression
°F	Degrés Fahrenheit	Température
°C	Degrés Celsius	Température

INTRODUCTION

Nous vous félicitons d'avoir choisi le chariot utilitaire remorqué par une tondeuse à conducteur porté. Il a été conçu, développé et fabriqué pour vous donner le plus possible de fiabilité et les meilleures performances possibles.

Si vous rencontrez un problème auquel vous ne pouvez pas remédier facilement, veuillez contacter le centre de service à la clientèle d'EGO au 1-877-346-9876 (1-877-EGO-ZTRM).

Ce mode d'emploi contient des informations importantes sur l'assemblage, l'utilisation et l'entretien de votre chariot. Lisez-le attentivement avant d'utiliser le chariot. Conservez ce mode d'emploi à portée de main afin de pouvoir vous y référer à tout moment.

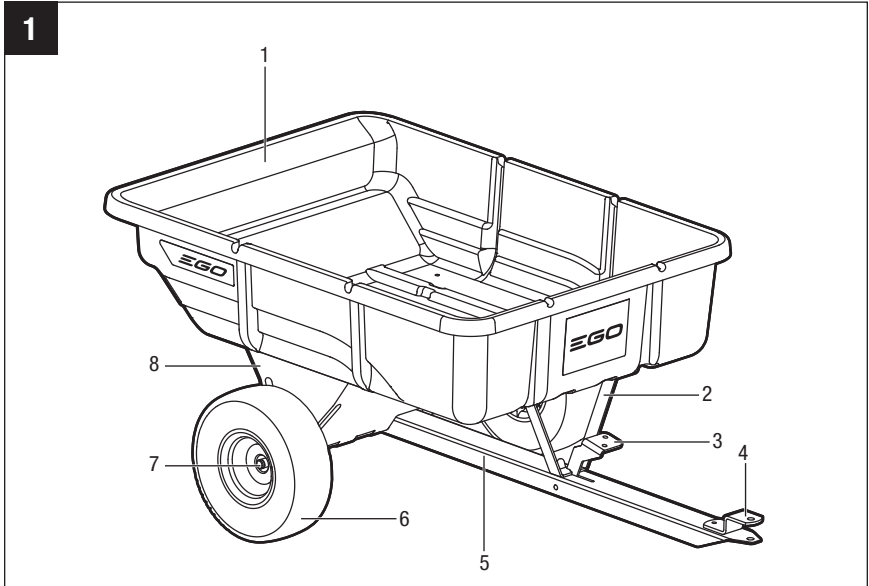
NUMÉRO DE SÉRIE _____ DATE D'ACHAT _____
NOUS VOUS RECOMMANDONS DE NOTER LE NUMÉRO DE SÉRIE ET LA DATE D'ACHAT ET DE
LES CONSERVER EN LIEU SÛR AFIN DE POUVOIR LES CONSULTER ULTÉRIEUREMENT.

SPÉCIFICATIONS

Poids à vide	20,4 kg / 45 lb
Charge maximum	204 kg / 450 lb
Poids maximal de la languette	45 kg / 100 lb
Capacité nominale du lit	0,2 m ³ / 7 pi ³
Vitesse de fonctionnement maximum du remorquage	13 km/h / 8 mi/h
Taille des pneus	13x4-6
Pressions des pneus à froid	207 kPa / 30 psi

DESCRIPTION

FAMILIARISEZ-VOUS AVEC VOTRE CHARIOT (Fig. 1)



- | | |
|----------------------------|---------------------|
| 1. Lit du chariot | 5. Barre d'attelage |
| 2. Support de verrouillage | 6. Roue (x2) |
| 3. Pédale | 7. Essieu |
| 4. Œillet de suspension | 8. Support d'essieu |

⚠ AVERTISSEMENT Pour que ce produit puisse être utilisé en toute sécurité, il est nécessaire de comprendre les informations figurant sur le produit et dans son mode d'emploi, et de bien maîtriser le projet que vous voulez réaliser. Avant d'utiliser ce produit, familiarisez-vous avec toutes ses fonctionnalités et les consignes de sécurité qui s'y appliquent.

Essieu

Tige passant par les roues du chariot.

Support d'essieu

Fournit un support pour relier l'essieu rotatif au lit du chariot.

Lit du chariot

La plateforme peut contenir une charge nominale de 0,2 m³ / 7 pi³ ou 204 kg / 450 lb.

Œillet de suspension

Composant pour le point de connexion entre le chariot et la méthode de transport.

Barre d'attelage

Le composant reliant l'essieu et le point de transport.

Pédale

Utilisée pour déverrouiller le lit du chariot et déverser son contenu.

Support de verrouillage

Verrouille le lit du chariot en position pour le transport et le chargement.

Roues

Les roues sont utilisées pour faire rouler rapidement le chariot.

ASSEMBLAGE

⚠ AVERTISSEMENT Si certaines pièces sont endommagées ou manquantes, n'utilisez pas ce produit avant que ces pièces aient été remplacées. L'utilisation de ce produit avec des pièces endommagées ou manquantes pourrait causer des blessures graves.

⚠ AVERTISSEMENT Ne tentez pas de modifier ce produit ou de créer des accessoires qu'il n'est pas recommandé d'utiliser avec ce produit. Une telle altération ou modification constituerait une utilisation abusive et pourrait créer une situation dangereuse avec risque de blessures graves.

DÉBALLAGE

Ce produit nécessite un assemblage.

- Retirez le produit et tous les accessoires de la boîte en prenant les précautions nécessaires. Assurez-vous que tous les articles indiqués sur la « **LISTE DES PIÈCES** » sont inclus.

⚠ AVERTISSEMENT N'utilisez pas ce produit si de quelconques pièces figurant sur la liste des pièces sont déjà montées sur votre produit lorsque vous le sortez de son emballage. Les pièces figurant sur cette liste ne sont pas montées sur le produit par le fabricant. Elles nécessitent une installation par le client. L'utilisation d'un produit pouvant avoir été assemblé de façon incorrecte pourrait causer des blessures graves.

- Inspectez attentivement le produit pour vous assurer qu'aucun dommage ou bris de pièce(s) ne s'est produit pendant le transport.
- Ne jetez pas les matériaux d'emballage avant d'avoir inspecté attentivement le produit et de l'avoir mis en marche de façon satisfaisante.
- Si une pièce quelconque est endommagée ou manquante, veuillez rapporter le produit dans le magasin où vous l'avez acheté.

Outils nécessaires (non inclus) :









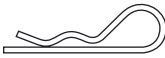


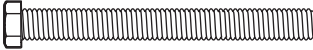
- Tournevis à tête plate
- Clé à fourche ou à douille de 1/2 po
- Clé à fourche ou à douille de 9/16 po
- Pince ordinaire

LISTE DES PIÈCES

NOM DE LA PIÈCE		QUANTITÉ
Lit du chariot		1
Ensemble de support d'essieu	Support d'essieu	1
	Vis à tête ronde, 5/16 po x 1 po	8
	Rondelle plate, 5/16 po	8
	Rondelle de verrouillage, 5/16 po	8
	Écrou hexagonal, 5/16 po-18	8
Ensemble de support de verrouillage	Support de verrouillage	1
	Vis à tête ronde, 5/16 po x 1 po	2
	Rondelle plate, 5/16 po	2
	Rondelle de verrouillage, 5/16 po	2
	Écrou hexagonal, 5/16 po-18	2
Ensemble de barre d'attelage	Barre d'attelage	1
	Pédale (avec bande antidérapante assemblée)	1
	Vis à tête hexagonale, 3/8 po x 3-3/4 po	1
	Écrou hexagonal Keps, 3/8 po-16	2
	Contre-écrou hexagonal, 3/8 po-16	1
	Ressort de la poignée	1
Ensemble de l'œillet de suspension	Œillet de suspension	1
	Vis à tête ronde, 5/16 po x 1 po	2
	Rondelle de verrouillage, 5/16 po	2
	Écrou hexagonal, 5/16 po-18	2
	Goupille du dispositif d'attelage, 1/2 po x 2-1/2 po	1
	Goupille fendue, 1/8 po	1

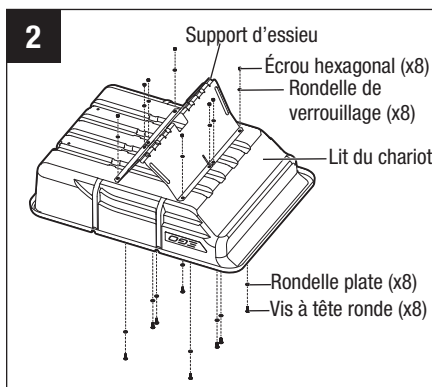
NOM DE LA PIÈCE		QUANTITÉ
Ensemble de roue	Roue	2
	Essieu	1
	Douille en nylon	4
	Anneau de serrage de 3/4 po	2
Mode d'emploi		1

IDENTIFIANT DU MATÉRIEL

Rondelle plate, 5/16 po (X10)		Rondelle de verrouillage, 5/16 po (X12)	
Écrou hexagonal, 5/16 po-18 (X12)		Écrou hexagonal Keps, 3/8 po-16 (X2)	
Contre-écrou hexagonal, 3/8 po-16 (X1)		Douille en nylon (X4)	
Anneau de serrage de 3/4 po (X2)		Ressort de la poignée (X1)	
Goupille fendue, 1/8 po (X1)			
Vis à tête ronde, 5/16 po x 1 po (X12)			
Goupille du dispositif d'attelage, 1/2 po x 2-1/2 po (X1)			
Vis à tête hexagonale, 3/8 po x 3-3/4 po (X1)			

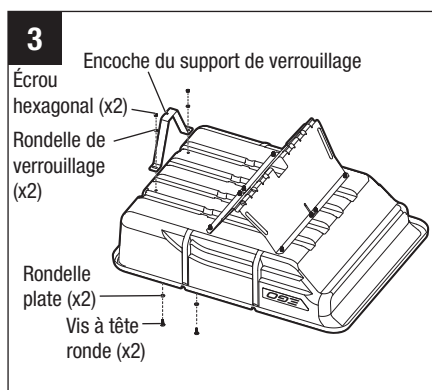
INSTALLATION DU SUPPORT D'ESSIEU (Fig. 2)

1. En orientant le fond du lit du chariot vers le haut, installez le support d'essieu sur le fond du lit du chariot.
2. Alignez les trous et insérez huit vis à tête ronde de 5/16 po x 1 po avec huit rondelles plates de 5/16 po depuis l'intérieur du lit à travers le support d'essieu.
3. Installez huit rondelles de verrouillage de 5/16 po et huit écrous hexagonaux de 5/16 po-18 sur les vis.
4. Serrez-les fermement.



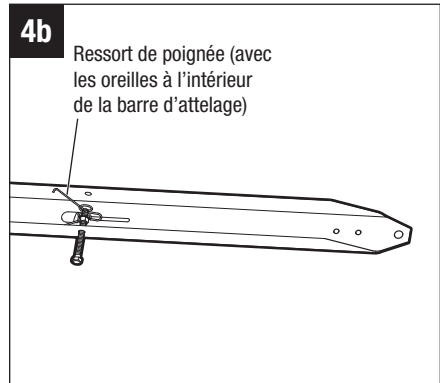
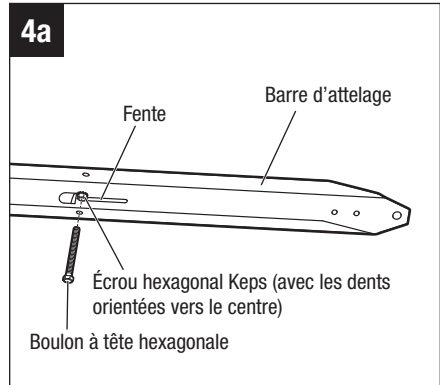
INSTALLATION DU SUPPORT DE VERROUILLAGE (Fig. 3)

1. L'encoche du support de verrouillage étant orientée à l'opposé du support d'essieu, alignez les deux trous du support de verrouillage sur les trous du lit du chariot.
2. Insérez deux vis à tête ronde de 5/16 po x 1 po avec deux rondelles plates de 5/16 po depuis l'intérieur du lit à travers le support de verrouillage.
3. Installez deux rondelles de verrouillage de 5/16 po et deux écrous hexagonaux de 5/16 po-18 sur les vis.
4. Serrez-les fermement.

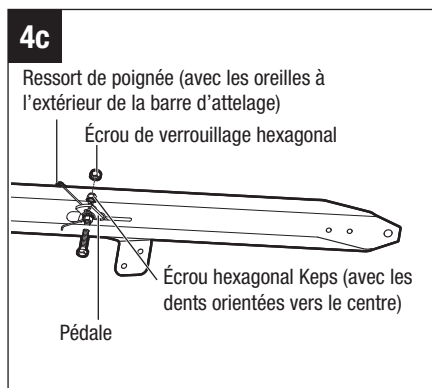


ASSEMBLAGE DE LA BARRE D'ATTELAGE

1. Insérez le boulon à tête hexagonale 3/8 po x 3-3/4 po dans le trou de la barre d'attelage jusqu'à ce que son extrémité affleure le bord de la fente.
2. Les dents étant orientées vers le centre de la barre d'attelage, vissez un écrou hexagonal Keps de 3/8 po-16 sur le boulon (Fig. 4a).
3. Positionnez les oreilles du ressort de la poignée à l'intérieur de la barre d'attelage, puis accrochez un côté du ressort de la poignée sur le boulon avec une orientation correcte comme indiqué à la Fig. 4b.
4. La languette de la pédale étant orientée vers l'avant de la barre d'attelage, insérez la plaque de la pédale par le bas de la barre d'attelage à travers la fente.
5. Accrochez la plaque de la pédale sur le boulon.
6. Accrochez l'autre côté du ressort de la poignée sur le boulon. La pédale est maintenant positionnée à l'intérieur du ressort.
7. Les dents étant orientées vers le centre de la barre d'attelage, vissez le deuxième écrou hexagonal Keps de 3/8 po-16 sur le boulon.



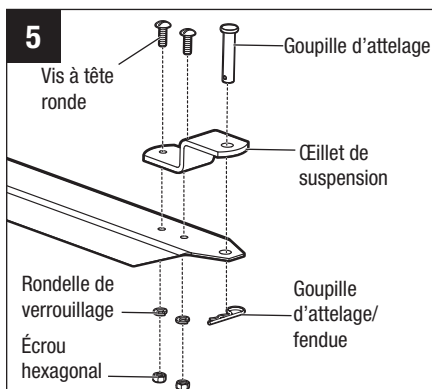
8. Ajustez les écrous Keps jusqu'à ce que le boulon traverse complètement la barre d'attelage et que la pédale soit centrée dans la fente (Fig. 4c).
9. Installez le contre-écrou hexagonal de 3/8 po-16 depuis l'extérieur de la barre d'attelage sur le boulon, en laissant le boulon serré, mais en mesure de tourner.
10. Serrez les écrous Keps de manière à ce que la pédale soit centrée dans la fente de la barre d'attelage.



11. Tirez les oreilles du ressort depuis l'intérieur de la barre d'attelage et accrochez-les sur le bord comme illustré à la Fig. 4c.

INSTALLATION DE L'ŒILLET DE SUSPENSION SUR LA BARRE D'ATTELAGE (Fig. 5)

1. Alignez les trous de l'œillet de suspension sur les trous de la barre d'attelage, et insérez deux vis à tête ronde de de 5/16 po x 1 po dans chaque trou.
2. Vissez deux rondelles de verrouillage de 5/16 po et écrous hexagonaux de 5/16 po-18 sur les vis.
3. Serrez-les fermement.
4. Installez la goupille d'attelage de 1/2 po x 2-1/2 po et la goupille fendue de 1/8 po sur l'œillet de suspension pour les ranger.

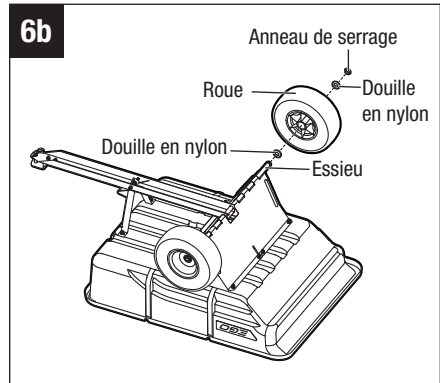
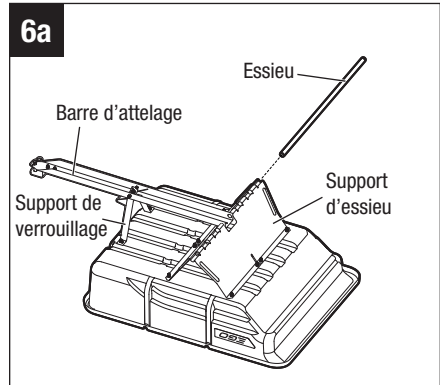


INSTALLATION DE LA BARRE D'ATTELAGE ET DES ROUES

1. Alignez les trous de l'ensemble de barre d'attelage sur les trous du support d'essieu, et positionnez la barre d'attelage sur le support de verrouillage.
2. Insérez l'essieu à travers le support d'essieu et la barre d'attelage (Fig. 6a).

REMARQUE : Une légère couche de graisse ou d'huile (non fournie) sur l'essieu facilitera l'insertion de l'essieu dans le support d'essieu.

3. Assurez-vous que le support de verrouillage s'engage dans la pédale. Le réglage peut être effectué en desserrant les deux vis qui fixent le support de verrouillage et en déplaçant le support de verrouillage vers l'avant ou vers l'arrière afin de modifier l'engagement et/ou la facilité d'utilisation.
4. Installez une douille en nylon à l'une des extrémités de l'essieu.
5. Avec la valve tournée vers l'extérieur, installez une roue sur l'essieu.
6. Installez la deuxième douille en nylon sur l'essieu.
7. Utilisez une pince ordinaire (non fournie) pour installer un anneau de serrage dans la rainure de l'essieu (Fig. 6b).
8. Installez l'autre roue sur l'autre extrémité de l'essieu dans le même ordre.
9. Gonflez les pneus à la pression correcte.



UTILISATION

⚠ AVERTISSEMENT Ne laissez pas l'habitude de l'utilisation de ce produit vous empêcher de prendre toutes les précautions requises. N'oubliez jamais qu'une fraction de seconde d'inattention suffit pour entraîner de graves blessures.

⚠ AVERTISSEMENT N'utilisez pas d'attachelements ou d'accessoires qui ne sont pas recommandés par le fabricant de ce produit. L'utilisation d'attachelements ou d'accessoires qui ne sont pas recommandés peut causer des blessures graves.

APPLICATION

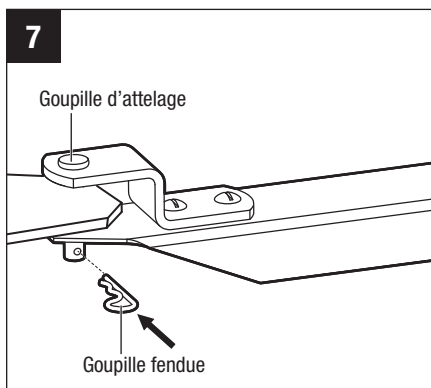
Vous pouvez utiliser ce produit pour faire ce qui suit :

- Transport et stockage de matériaux et d'objets jusqu'à une capacité nominale de 0,2 m³ / 7 pi³ ou 204 kg / 450 lb.

FIXATION DU CHARIOT SUR LA MACHINE DE REMORQUAGE (Fig. 7)

⚠ AVERTISSEMENT Ne prenez pas de risques pour ne pas vous blesser. Avant de fixer le chariot, assurez-vous que la pédale est bien verrouillée en place.

1. Verrouillez le chariot en place à l'aide de la pédale.
2. Garez la machine à un endroit qui n'est pas dangereux. (Voir le Mode d'emploi de la machine de remorquage.)
3. Alignez le trou de la barre d'attelage du chariot sur le trou d'attelage de la machine.
4. Installez la goupille d'attelage à travers les trous.
5. Sécurisez la goupille d'attelage avec la goupille fendue.



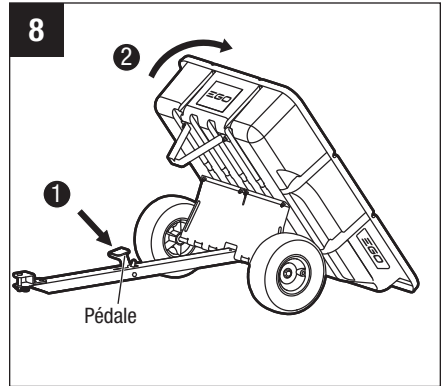
Détachement du chariot :

⚠ AVERTISSEMENT Ne prenez pas de risques pour ne pas vous blesser. Tenez les mains, les pieds et les autres parties du corps à l'écart du dessous de la barre d'attelage.

1. Garez la machine à un endroit qui n'est pas dangereux. (Voir le Mode d'emploi du véhicule de remorquage.)
2. Déchargez le chariot.
3. Retirez la goupille fendue et la goupille d'attelage.
4. Poussez le chariot pour l'éloigner de la machine. Bloquez les roues du chariot.
5. Installez la goupille d'attelage et la goupille fendue sur la barre d'attelage pour les ranger.

DÉCHARGEMENT DU CHARIOT (Fig. 8)

⚠ AVERTISSEMENT Ne prenez pas de risques pour ne pas vous blesser. Avant de reculer, assurez-vous qu'il n'y a aucune personne à proximité, en particulier des enfants. Avant de déverser le contenu du chariot, garez la machine à un endroit qui n'est pas dangereux, assurez-vous que le chariot est relié à la machine de remorquage et veillez à ce qu'il n'y ait personne à proximité, en particulier des enfants.



1. Garez la machine à un endroit qui n'est pas dangereux. (Voir le Mode d'emploi de la machine de remorquage.)
2. Appuyez sur la pédale pour relâcher le lit du chariot.
3. Faites basculer le lit du chariot vers l'arrière pour décharger le chariot.
4. Posez le lit du chariot, appuyez sur la pédale et relâchez-la pour verrouiller le chariot en place.

DÉTERMINATION DU POIDS DU CHARIOT

⚠ AVERTISSEMENT Ne prenez pas de risques pour ne pas vous blesser. Une charge remorquée excessive peut entraîner une perte de traction et une perte de contrôle sur les pentes. La distance d'arrêt augmente avec la vitesse et le poids de la charge remorquée. Le poids total remorqué ne doit pas dépasser le poids combiné de la machine de remorquage, de l'opérateur et du lest avant, ou la capacité maximale du chariot.

La quantité que vous pouvez transporter dans votre chariot dépend de deux facteurs :

- Le poids combiné de la machine de remorquage, du poids de l'opérateur et du lest avant potentiel.
- La capacité maximale du chariot.

Commencez par ajouter le poids de l'opérateur au poids de la machine. Si ce total est inférieur à la capacité maximale du chariot, vous pouvez transporter plus dans le chariot en ajoutant du lest avant à la machine. Vous pouvez continuer à ajouter du lest jusqu'à ce que vous atteigniez la capacité maximale du chariot.

La capacité maximale que vous transportez dans ce chariot ne peut être supérieure à la somme du poids de la machine, du poids de l'opérateur et de tout lest, ou à la capacité maximale du chariot.

Exemple :

Si la machine de remorquage pèse : 226,8 kg / 500 lb

Ajoutez votre poids : 90,7 kg / 200 lb

Le poids combiné est égal à : 317,5 kg / 700 lb

Pour maintenir la stabilité du chariot dans cet exemple, vous ne pouvez pas transporter en toute sécurité plus de 317,5 kg / 700 lb sans ajouter d'abord un lest supplémentaire à la machine de remorquage.

MAINTENANCE

AVIS Inspectez périodiquement l'intégralité du produit pour vous assurer qu'il n'y a pas de pièces endommagées, manquantes ou desserrées comme des vis, des écrous, des boulons, des capuchons, etc. Serrez à fond tous les dispositifs de fixation et capuchons, et ne vous servez pas de ce produit avant que toutes les pièces manquantes ou endommagées aient été remplacées.

MAINTENANCE GÉNÉRALE

Évitez d'utiliser des solvants lorsque vous nettoyez des pièces en plastique. La plupart des plastiques sont susceptibles d'être endommagés par divers types de solvants commerciaux, et ils pourraient l'être si vous les utilisez.

Utilisez des chiffons propres pour retirer les saletés, la poussière, l'huile, la graisse, etc.

Lavez le lit du chariot à l'eau douce après chaque utilisation pour ne pas risquer d'endommager le chariot ou le matériel.

⚠ AVERTISSEMENT Ne laissez jamais de liquide de frein, d'essence, de produits à base de pétrole, d'huiles pénétrantes, etc. entrer en contact avec des composants en plastique. Les produits chimiques peuvent endommager, affaiblir ou détruire le plastique, ce qui pourrait causer des blessures graves.

LUBRIFICATION DU CHARIOT

Lubrifiez les bagues des roues une fois par an, ou plus fréquemment en cas d'utilisation intensive.

CONTRÔLE DE LA PRESSION DES PNEUS

Vérifiez et assurez-vous que les deux pneus sont gonflés à la pression indiquée à la Fig. 9.

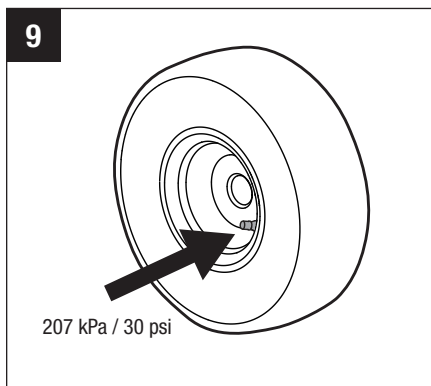
Outils nécessaires (non inclus) :

- Manomètre numérique pour pneus
- Compresseur d'air / gonfleur ou pompe à vélo robuste.

⚠ AVERTISSEMENT Vérifiez

attentivement la pression des pneus pendant que vous les gonflez. La présence de trop d'air dans le pneu risquerait de faire éclater le pneu, ce qui pourrait causer des blessures graves.

⚠ AVERTISSEMENT Il est très important de maintenir la pression d'air correcte dans les pneus. Une pression insuffisante pourrait permettre au pneu de tourner et de se détacher de la jante de la roue. Une pression excessive pourrait causer l'éclatement du pneu. Le fait de ne pas maintenir la pression d'air correcte dans les pneus pourrait causer des problèmes de fonctionnement et de stabilité pour le chariot entraînant ainsi éventuellement des blessures graves.



GARANTIE LIMITÉE EGO

CONDITIONS ET DURÉE DE LA POLITIQUE DE GARANTIE

Chervon North America, Inc. (« Chervon North America ») offre la garantie limitée suivante pour les produits EGO à l'acheteur initial des produits EGO.

Les périodes de garantie détaillées de chaque produit EGO sont indiquées en ligne à l'adresse <http://egopowerplus.com/warranty-policy>.

Veillez contacter le Service à la clientèle d'EGO en téléphonant au 1-877-346-9876 (877-EGO-ZTRM) (appel gratuit) à tout moment en cas de questions ou si vous voulez vous prévaloir de la garantie.

GARANTIE LIMITÉE DE SERVICE APRÈS-VENTE

Les produits EGO sont garantis contre tout défaut de matériel ou de fabrication à partir de la date d'achat au détail originale et pendant la période de garantie applicable. Pour toute demande d'application de la garantie soumise correctement et dans les délais, si Chervon North America détermine qu'un produit est défectueux pendant la période de garantie, le produit sera réparé ou remplacé gratuitement, selon la décision de Chervon North America.

COMMENT OBTENIR DE L'ASSISTANCE DANS LE CADRE DU SERVICE APRÈS-VENTE

Pour obtenir de l'assistance dans le cadre de la garantie applicable, veuillez contacter le service à la clientèle d'EGO au numéro gratuit 877-346-9876 (877-EGO-ZTRM). Lorsque vous demandez de l'assistance dans le cadre de la garantie, vous devez présenter le reçu de vente original daté. Un centre de service après-vente agréé sera sélectionné pour évaluer et réparer le produit défectueux conformément aux conditions de garantie énoncées. Lorsque vous apportez votre produit au centre de service après-vente agréé, il se peut qu'une petite caution vous soit demandée lors du dépôt de votre outil. Ce dépôt est remboursable lorsque le service de réparation est considéré comme étant couvert par la garantie. L'acheteur est responsable du transport de tout équipement motorisé d'extérieur ou de ses attachements, à ses frais.

LIMITATIONS ET EXCLUSIONS SUPPLÉMENTAIRES

Cette garantie limitée ne s'applique qu'à l'acheteur original auprès d'un revendeur agréé EGO, et elle ne peut pas être cédée. Les produits EGO ne sont pas considérés comme défectueux, et la présente garantie ne s'applique pas, lorsque le défaut invoqué est imputable à une cause autre que les défauts définis ci-dessus. Cette garantie est nulle et non avenue si le produit a été utilisé à des fins de location. Cette garantie ne s'applique pas aux dommages causés par un accident, un abus, une mauvaise utilisation, une altération, une modification, une réparation non autorisée, un contact avec un liquide, un incendie, un tremblement de terre ou toute autre cause externe ; par l'utilisation du produit en dehors des instructions, des spécifications ou des directives d'EGO ; ou par le manque de service après-vente ou d'entretien correct du produit. Cette garantie ne s'applique pas non plus aux dommages esthétiques, y compris, mais sans s'y limiter, les rayures ou les bosses, les défauts causés par l'usure normale ou les problèmes dus au vieillissement normal du produit.

CETTE GARANTIE EXPRESSE REMPLACE TOUTE AUTRE GARANTIE, EXPRESSE OU IMPLICITE, Y COMPRIS, MAIS SANS S'Y LIMITER, TOUTE GARANTIE DE QUALITÉ MARCHANDE OU D'ADÉQUATION À UN USAGE PARTICULIER, DONT L'APPLICATION EST REJETÉE. Toute garantie implicite, y compris la garantie de qualité marchande ou d'adéquation à un usage particulier, qui ne peut être rejetée en vertu de la loi de l'État ou de la province est limitée à la période de garantie applicable définie au début de cet article. Le seul et unique recours lié à l'achat, l'installation, l'utilisation et/ou la performance des produits EGO est la réparation ou le remplacement du produit tel que cela aura été déterminé par Chervon North America. La responsabilité maximale de Chervon North America ne peut en aucun cas dépasser le prix d'achat payé pour le produit. CHERVON NORTH AMERICA NE SERA PAS RESPONSABLE ENVERS L'UTILISATEUR OU TOUTE AUTRE PERSONNE DES DOMMAGES CONSÉCUTIFS, ACCESSOIRES, SPÉCIAUX, EXEMPLAIRES, INDIRECTS OU PUNITIFS RÉSULTANT DE L'UTILISATION DES PRODUITS, Y COMPRIS, MAIS SANS S'Y LIMITER, LES PRÉJUDICES CORPORELS, LE DÉCÈS, LES DOMMAGES MATÉRIELS, LES PERTES DE BÉNÉFICES OU TOUT AUTRE PRÉJUDICE ÉCONOMIQUE. Cette garantie vous confère des garanties juridiques particulières, et vous pouvez aussi avoir d'autres droits, qui varient selon l'État ou la province. Étant donné que certains États et certaines provinces ne permettent pas les limitations de la durée d'une garantie implicite, l'exclusion ou la limitation des dommages indirects ou secondaires, ou les limitations des délais pour intenter certaines actions, il est possible que les limitations mentionnées aux présentes ne s'appliquent pas aux consommateurs individuels dans ces États ou provinces.



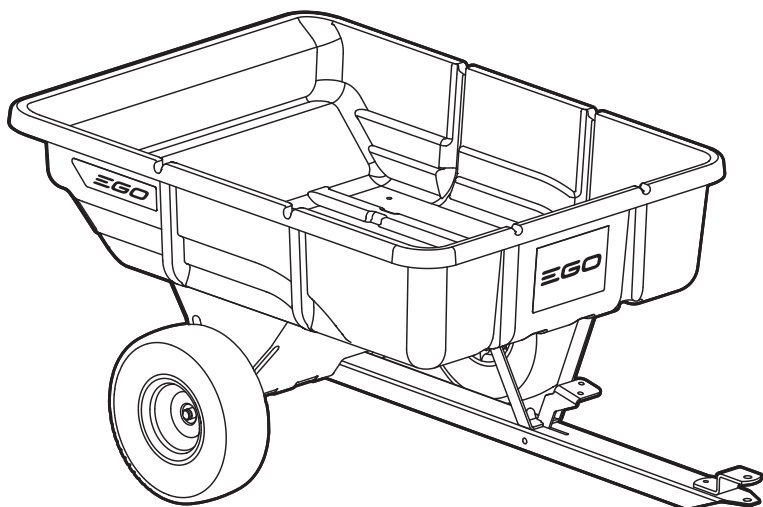
La présente garantie est soumise au droit du Michigan et doit être interprétée conformément à celui-ci, sans tenir compte des principes de conflits de lois. Aucune action en justice ne peut être intentée contre Chervon North America après un délai d'un (1) an à compter du moment où le fondement de cette action en justice est connu ou aurait dû l'être avec l'exercice d'une diligence raisonnable. Toute action qui n'est pas intentée dans les délais est réputée abandonnée.

Pour le service à la clientèle, contactez-nous sans frais au numéro suivant :
877-346-9876 (877-EGO-ZTRM) or EGOPOWERPLUS.COM.

EGO Customer Service
769 Seward Ave. NW, Suite 102
Grand Rapids, Michigan 49504.

EGO™

POWER⁺ RIDING MOWERS™



MANUAL DEL USUARIO

CARRITO UTILITARIO REMOLCABLE PARA CORTADORAS DE CÉSPED CON ASIENTO

NÚMERO DE MODELO ADT1000/ADT1000-FC

⚠ ADVERTENCIA Para reducir el riesgo de lesiones, el usuario debe leer y comprender el Manual del propietario antes de usar este producto. Guarde estas instrucciones para referencia futura.

ÍNDICE



LEA Y ENTIENDA EL
MANUAL DEL OPERADOR

Símbolos de seguridad	53
Instrucciones de seguridad para el carrito	54-56
Símbolos	57
Introducción	58
Especificaciones	58
Descripción	59-60
Ensamblaje	61-67
Utilización	68-70
Mantenimiento	71-72
Garantía Limitada de EGO	73-75

SÍMBOLOS DE SEGURIDAD

El propósito de los símbolos de seguridad es alertarlo sobre posibles peligros. Los símbolos de seguridad y sus explicaciones merecen una atención y comprensión minuciosas. Las advertencias de los símbolos, por sí mismas, no eliminan los peligros. Las instrucciones y las advertencias no sustituyen las medidas de prevención de accidentes que correspondan.

⚠ ADVERTENCIA Antes de utilizar esta herramienta, asegúrese de leer y comprender todas las instrucciones de seguridad en este Manual del propietario, incluidos todos los símbolos de alerta de seguridad como “**PELIGRO**”, “**ADVERTENCIA**” y “**PRECAUCIÓN**”. No seguir todas las instrucciones que se indican a continuación podría resultar en descargas eléctricas, incendios y/o lesiones personales graves.

Las definiciones que aparecen a continuación describen el nivel de gravedad de cada palabra de aviso. Por favor, lea el manual y preste atención a estos símbolos.	
	Este es el símbolo de alerta de seguridad. Se utiliza para alertarle a usted de posibles peligros de lesiones corporales. Obedezca todos los mensajes de seguridad que sigan a este símbolo para evitar posibles lesiones o la muerte.
⚠ PELIGRO	PELIGRO indica una situación peligrosa que, si no se evita, causará la muerte o lesiones graves.
⚠ ADVERTENCIA	ADVERTENCIA indica una situación peligrosa que, si no se evita, podría causar la muerte o lesiones graves.
⚠ PRECAUCIÓN	PRECAUCIÓN, utilizada con el símbolo de alerta de seguridad, indica una situación peligrosa que, si no se evita, podría causar lesiones leves o moderadas.

MENSAJES DE PREVENCIÓN DE DAÑOS E INFORMACIÓN

Estos mensajes ofrecen al usuario información y/o instrucciones importantes que, de no seguirse, podrían causar daños al equipo u otros daños materiales. Antes de cada mensaje, aparece la palabra “**AVISO**”, como en el ejemplo a continuación:

AVISO Si no se siguen estas instrucciones se pueden producir daños al equipo y/o daños materiales.

INSTRUCCIONES DE SEGURIDAD PARA EL CARRITO

- No ponga recipientes de gasolina en el carrito. Evite lesiones por explosión.
- No se permiten pasajeros en el carrito. Los pasajeros pueden caerse fuera y morir.
- No exceda la capacidad de remolcaje máxima de la máquina remolcadora indicada en el manual del operador de la máquina.
- No exceda la capacidad de carga máxima del carrito indicada en el manual del operador del carrito.
- Reduzca el peso del carrito cargado en pendientes y/o superficies resbalosas.
- No exceda 8 mph (13 kph) cuando remolque el carrito.

UTILICE EL CARRITO CON SEGURIDAD

- Este carrito está diseñado para utilizarse en aplicaciones de cuidado del césped y domésticas. No lo remolque detrás de un vehículo en una carretera. No lo remolque a velocidades más altas que la velocidad de remolcaje máxima recomendada.
- La velocidad de remolcaje deberá ser siempre lo suficientemente lenta para mantener el control. Desplácese lentamente sobre terreno irregular.
- No deje que niños o una persona que no haya recibido capacitación utilicen la máquina.
- No deje que nadie, especialmente niños, viaje en la máquina o el carrito. Los pasajeros están sujetos a lesiones, tales como ser golpeados por un objeto extraño y ser lanzados hacia fuera. Es posible que los pasajeros también obstruyan la visión del operador, lo cual tendrá como resultado que la máquina se utilice de manera insegura.
- Compruebe la acción del freno de la máquina antes de utilizarla. Ajuste los frenos o hágales servicio de ajustes y reparaciones según sea necesario.
- Mantenga apretadas todas las tuercas y todos los pernos para asegurarse de que el equipo esté en condiciones de funcionamiento seguras.
- Mantenga todas las piezas en buenas condiciones e instaladas correctamente. Repare inmediatamente las piezas dañadas. Reemplace las piezas desgastadas

o rotas. Reemplace todas las calcomanías de seguridad e instrucciones desgastadas o dañadas.

- No modifique el carrito ni los dispositivos de seguridad. Es posible que las modificaciones al carrito no autorizadas afecten a su función y su seguridad.
- Ancle firmemente todas las cargas para impedir que se caigan.
- Distribuya uniformemente la carga para viajar y descargar el carrito de manera segura.
- No obstruya la visión del operador durante el uso.

REMOLCAJE DE CARGAS DE MANERA SEGURA

- La distancia de parada aumenta con la velocidad y el peso de la carga remolcada. Desplácese lentamente y deje tiempo y distancia extra para detenerse.
- El peso remolcado total no debe exceder los límites especificados en el manual del operador de la máquina remolcadora.
- Una carga remolcada excesiva puede causar pérdida de tracción y pérdida de control en las pendientes. Reduzca el peso remolcado cuando utilice el carrito en pendientes.
- No deje nunca a niños u otras personas en o sobre equipo remolcado.
- Utilice solo enganches aprobados. Remolque el carrito solo con una máquina que tenga un enganche diseñado para remolcar. No enganche equipo remolcado, excepto en el punto de enganche aprobado.
- Siga las recomendaciones del fabricante para los límites de peso del equipo remolcado y el remolcaje en pendientes. Utilice contrapesos o pesos en las ruedas tal como se describe en el manual del operador de la máquina.
- No haga giros pronunciados. Tenga precaución adicional cuando gire o utilice el carrito en una superficie desigual. Tenga cuidado cuando invierta el sentido de avance.
- No cambie a neutral para ir cuesta abajo por inercia.

PROTEJA A LAS PERSONAS PRESENTES

- Mantenga alejadas a las personas presentes cuando utilice un carrito remolcado.
- Antes de hacer retroceder la máquina y el carrito, mire con atención hacia atrás para ver si hay personas presentes.
- Mantenga a los pasajeros alejados de un aditamento remolcado.

- Los pasajeros que estén en un carrito remolcado están sujetos a lesiones, tales como ser golpeados por objetos y ser lanzados hacia fuera del carrito durante arranques, paradas y giros repentinos.
- Los pasajeros obstruyen la visión del operador, lo cual tiene como resultado que el aditamento se utilice de manera insegura.
- Mantenga a los pasajeros alejados del soporte del enganche.

EVITE LAS LESIONES CAUSADAS POR LA BARRA DE TRACCIÓN

Antes de desconectar el carrito de la placa de enganche de la máquina:

- Descargue el carrito.
- Detenga el carrito sobre terreno nivelado.
- Pare el motor de la máquina.
- Bloquee el freno de la máquina.
- Bloquee las ruedas del carrito.
- Asegúrese de que las manos, los pies u otras partes del cuerpo no estén debajo de la barra de tracción.

¡GUARDE ESTAS INSTRUCCIONES! Consúltelas frecuentemente y úselas para instruir a otras personas que puedan utilizar este producto. Si le presta este producto a otra persona, préstele también estas instrucciones para prevenir un uso incorrecto del producto y posibles lesiones.

SÍMBOLOS

Esta página muestra y describe los símbolos que es posible que aparezcan en este producto. Lea, entienda y siga todas las instrucciones que se encuentran en el producto antes de intentar ensamblarlo y utilizarlo.

	Alerta de seguridad	Indica un peligro potencial de lesiones corporales.
	Lea y entienda el manual del operador	Para reducir el riesgo de lesiones, el usuario debe leer y entender el manual del operador antes de utilizar este producto.
lb	Libras	Peso
kg	Kilogramo	Peso
m ³	Metro cúbico	Volumen
pies ³	Pies cúbico	Volumen
km/h	Kilómetros por hora	Velocidad
MPH	Millas por hora	Velocidad
kPa	Kilopascal	Presión
psi	Libras por pulgada cuadrada	Presión
°F	Grados Fahrenheit	Temperatura
°C	Grados Celsius	Temperatura

INTRODUCCIÓN

Felicitaciones por su selección del carrito utilitario remolcable para cortadoras de césped con asiento. Este carrito utilitario ha sido diseñado, concebido y fabricado para ofrecerle a usted la mejor confiabilidad y el mejor rendimiento posibles.

En el caso de que tenga cualquier problema que no pueda remediar fácilmente, sírvase contactar al centro de servicio al cliente de EGO llamando al 1-877-346-9876 (1-877-EGO-ZTRM).

Este manual contiene información importante sobre el ensamblaje, la utilización y el mantenimiento seguros de su carrito utilitario. Léalo detenidamente antes de utilizar el carrito. Mantenga este manual al alcance de la mano para poder consultarlo en cualquier momento.

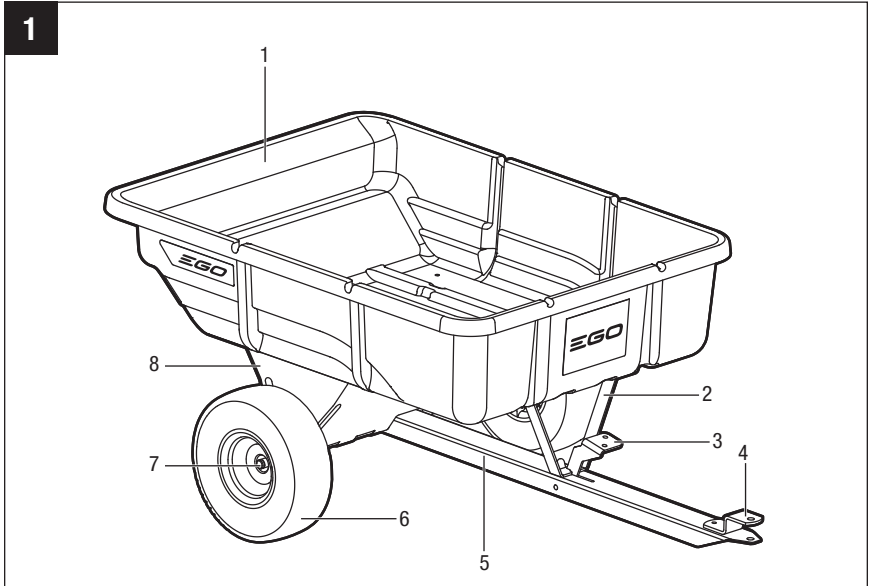
NÚMERO DE SERIE _____ FECHA DE COMPRA _____
DEBE ANOTAR EL NÚMERO DE SERIE Y LA FECHA DE COMPRA Y CONSERVARLOS EN UN LUGAR SEGURO PARA CONSULTARLOS EN EL FUTURO.

ESPECIFICACIONES

Peso en vacío	45 lb (20,4 kg)
Carta máxima	450 lb (204 kg)
Peso máximo de la lengua	100 lb (45 kg)
Capacidad de la plataforma (colmada)	7 pies ³ (0,2 m ³)
Velocidad máxima de remolcaje	8 MPH (13 km/h)
Tamaño de las llantas	13x4-6
Presión de las llantas en frío	30 psi (207 kPa)

DESCRIPCIÓN

CONOZCA SU CARRITO (Fig. 1)



- | | |
|---------------------------|----------------------|
| 1. Plataforma del carrito | 5. Barra de tracción |
| 2. Soporte de fijación | 6. Rueda (x2) |
| 3. Pedal | 7. Eje |
| 4. Horquilla | 8. Soporte del eje |

⚠ ADVERTENCIA El uso seguro de este producto requiere entender la información que se encuentra en el producto y en este manual de instrucciones, así como tener conocimiento del proyecto que se esté intentando realizar. Antes de utilizar este producto, familiarícese con todas las funciones de utilización y reglas de seguridad.

Eje

Varilla que pasa a través de las ruedas del carrito.

Soporte del eje

Proporciona soporte para conectar el eje rotativo a la plataforma del carrito.

Plataforma del carrito

La plataforma del carrito se puede utilizar para albergar una carga de 7 pies³ (0,2 m³) colmada o 450 lb (204 kg).

Horquilla

Componente para el punto de conexión entre el carrito y el método de transporte.

Barra de tracción

El componente que conecta el eje y el punto de transporte.

Pedal

Se utiliza para desbloquear la plataforma del carrito y volcar su contenido.

Soporte de fijación

Bloquea la plataforma del carrito en la posición correcta para el transporte y el almacenamiento.

Ruedas

Las ruedas se utilizan para hacer rodar rápidamente el carrito.

ENSAMBLAJE

⚠ ADVERTENCIA Si cualquiera de las piezas está dañada o falta, no utilice este producto hasta que las piezas hayan sido reemplazadas. La utilización de este producto con piezas dañadas o si le faltan piezas podría causar lesiones corporales graves.

⚠ ADVERTENCIA No intente modificar este dispositivo ni crear accesorios no recomendados para utilizarse con este producto. Cualquiera de dichas alteraciones o modificaciones constituye un uso incorrecto y podría provocar una situación peligrosa que cause posibles lesiones corporales graves.

DESEMPAQUE

Este producto requiere ensamblaje.

- Saque cuidadosamente el producto y todos los accesorios de la caja. Asegúrese de que todos los artículos indicados en la “**LISTA DE EMPAQUETAMIENTO**” estén incluidos.

⚠ ADVERTENCIA No utilice este producto si cualquiera de las piezas de la lista de empaquetamiento ya está ensamblada en el producto cuando lo desempaque. Las piezas incluidas en esta lista no son ensambladas en el producto por el fabricante y requieren instalación por el cliente. La utilización de un producto que pueda haber sido ensamblado incorrectamente podría causar lesiones corporales graves.

- Inspeccione minuciosamente el producto para asegurarse de que no se hayan producido roturas o daños durante el envío.
- No deseche el material de empaquetamiento hasta que haya inspeccionado minuciosamente y utilizado satisfactoriamente el producto.
- Si alguna de las piezas está dañada o falta, sírvase devolver el producto al lugar de compra.

Herramientas requeridas (no incluidas):

- Destornillador de cabeza plana
- Llave de boca abierta de 1/2 pulgada o llave de tubo
- Llave de boca abierta de 9/16 de pulgada o llave de tubo
- Alicates

LISTA DE EMPAQUETAMIENTO

NOMBRE DE LA PIEZA		CANTIDAD
Plataforma del carrito		1
Ensamblaje del soporte del eje	Soporte del eje	1
	Tornillo de cabeza redonda, 5/16 de pulgada x 1 pulgada	8
	Arandela plana, 5/16 de pulgada	8
	Arandela de seguridad, 5/16 de pulgada	8
	Tuerca hexagonal, 5/16 de pulgada - 18	8
Ensamblaje del soporte de fijación	Soporte de fijación	1
	Tornillo de cabeza redonda, 5/16 de pulgada x 1 pulgada	2
	Arandela plana, 5/16 de pulgada	2
	Arandela de seguridad, 5/16 de pulgada	2
	Tuerca hexagonal, 5/16 de pulgada - 18	2
Ensamblaje de la barra de tracción	Barra de tracción	1
	Pedal (con cinta de agarre ensamblada)	1
	Perno de cabeza hexagonal, 3/8 de pulgada x 3-3/4 pulgadas	1
	Tuerca hexagonal Keps, 3/8 de pulgada-16	2
	Tuerca de fijación hexagonal, 3/8 de pulgada - 16	1
	Resorte tipo agarradera	1
Ensamblaje de la horquilla	Horquilla	1
	Tornillo de cabeza redonda, 5/16 de pulgada x 1 pulgada	2
	Arandela de seguridad, 5/16 de pulgada	2
	Tuerca hexagonal, 5/16 de pulgada -18	2
	Pasador de enganche, 1/2 pulgada x 2-1/2 pulgadas	1
	Pasador de chaveta, 1/8 de pulgada	1

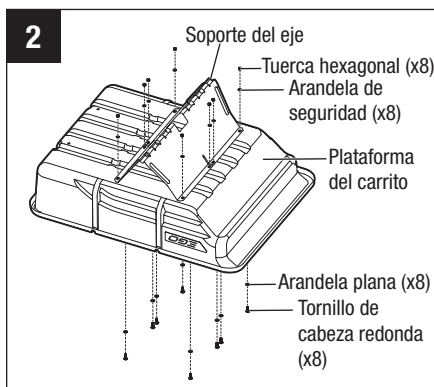
NOMBRE DE LA PIEZA		CANTIDAD
Ensamblaje de rueda	Rueda	2
	Eje	1
	Buje de nylon	4
	Anillo en E de 3/4 de pulgada	2
Manual del operador		1

IDENTIFICADOR DE HERRAJES

Arandela plana, 5/16 de pulgada (X10)		Arandela de seguridad, 5/16 de pulgada (X12)	
Tuerca hexagonal, 5/16 de pulgada - 18 (X12)		Tuerca hexagonal Keps, 3/8 de pulgada - 16 (X2)	
Tuerca de fijación hexagonal, 3/8 de pulgada - 16 (X1)		Buje de nylon (X4)	
Anillo en E de 3/4 de pulgada (X2)		Resorte tipo agarradera (X1)	
Pasador de chaveta, 1/8 de pulgada (X1)			
Tornillo de cabeza redonda, 5/16 de pulgada x 1 pulgada (X12)			
Pasador de enganche, 1/2 pulgada x 2-1/2 pulgadas (X1)			
Perno de cabeza hexagonal, 3/8 de pulgada x 3-3/4 pulgadas (X1)			

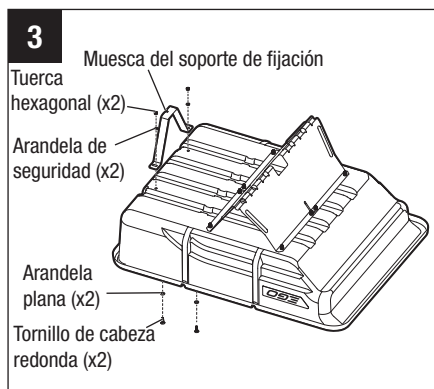
INSTALACIÓN DEL SOPORTE DEL EJE (Fig. 2)

1. Con la parte inferior de la plataforma del carrito orientada hacia arriba, instale el soporte del eje sobre la parte inferior de la plataforma del carrito.
2. Alinee los agujeros e inserte ocho tornillos de cabeza redonda de 5/16 de pulgada x 1 pulgada con ocho arandelas planas de 5/16 de pulgada desde el interior de la plataforma a través del soporte del eje.
3. Instale ocho arandelas de seguridad de 5/16 de pulgada y ocho tuercas hexagonales de 5/16 de pulgada - 18 en los tornillos.
4. Apriételas firmemente.



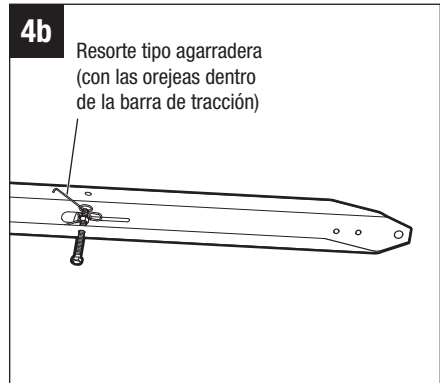
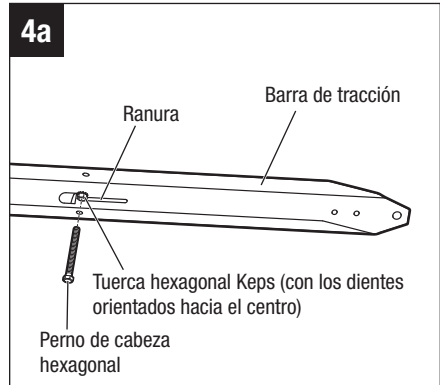
INSTALACIÓN DEL SOPORTE DE FIJACIÓN (Fig. 3)

1. Con la muesca del soporte de fijación orientada alejándose del soporte del eje, alinee los dos agujeros del soporte de fijación con los agujeros de la plataforma del carrito.
2. Inserte dos tornillos de cabeza redonda de 5/16 de pulgada x 1 pulgada con dos arandelas planas de 5/16 de pulgada desde el interior de la plataforma a través del soporte de fijación.
3. Instale dos arandelas de seguridad de 5/16 de pulgada y dos tuercas hexagonales de 5/16 de pulgada - 18 en los tornillos.
4. Apriételas firmemente.



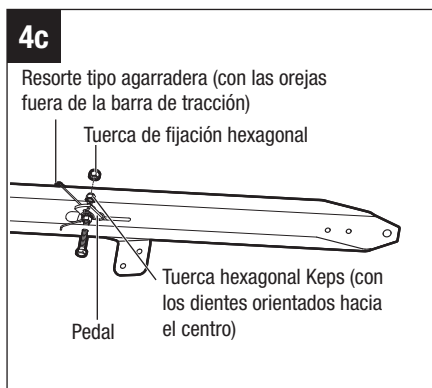
ENSAMBLAJE DE LA BARRA DE TRACCIÓN

1. Inserte el perno de cabeza hexagonal de 3/8 de pulgada x 3-3/4 pulgadas en el agujero de la barra de tracción hasta que su extremo esté al ras con el borde de la ranura.
2. Con los dientes orientados hacia el centro de la barra de tracción, enrosque una tuerca hexagonal Keps de 3/8 de pulgada - 16 en el perno (Fig. 4a).
3. Posicione las orejas del resorte tipo agarradera en el interior de la barra de tracción y luego cuelgue un lado del resorte tipo agarradera sobre el perno con la orientación correcta, de la manera que se muestra en la Fig. 4b.
4. Con la lengüeta del pedal orientada hacia la parte delantera de la barra de tracción, inserte la placa del pedal desde la parte inferior de la barra de tracción a través de la ranura.



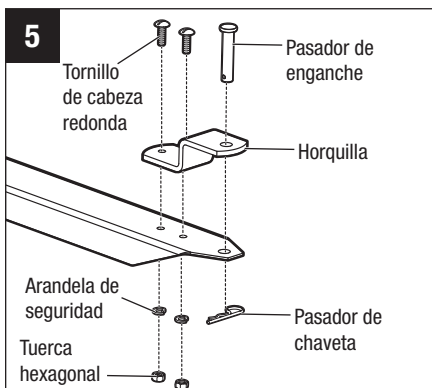
5. Cuelgue la placa del pedal sobre el perno.
6. Cuelgue el otro lado del resorte tipo agarradera sobre el perno. Ahora el pedal estará posicionado dentro del resorte.
7. Con los dientes orientados hacia el centro de la barra de tracción, enrosque la segunda tuerca hexagonal Keps de 3/8 de pulgada - 16 en el perno.

8. Ajuste las tuercas Keps hasta que el perno atraviese completamente la barra de tracción y el pedal esté centrado en la ranura (Fig. 4c).
9. Instale la tuerca de fijación hexagonal de 3/8 de pulgada - 16 desde el exterior de la barra de tracción en el perno, dejando el perno firmemente apretado, pero capaz de rotar.
10. Apriete las tuercas Keps de manera que el pedal esté centrado en la ranura de la barra de tracción.
11. Jale las orejas del resorte desde el interior de la barra de tracción y engánchelas sobre el borde de la manera que se muestra en la Fig. 4c.



INSTALACIÓN DE LA HORQUILLA SOBRE LA BARRA DE TRACCIÓN (Fig. 5)

1. Alinee los agujeros de la horquilla con los agujeros de la barra de tracción e inserte dos tornillos de cabeza redonda de 5/16 de pulgada x 1 pulgada en cada agujero.
2. Enrosque dos arandelas de seguridad de 5/16 de pulgada y dos tuercas hexagonales de 5/16 de pulgada - 18 en los tornillos.
3. Apriételas firmemente.
4. Instale el pasador de enganche de 1/2 pulgada x 2-1/2 pulgadas y el pasador de chaveta de 1/8 de pulgada sobre la horquilla para fines de almacenamiento.



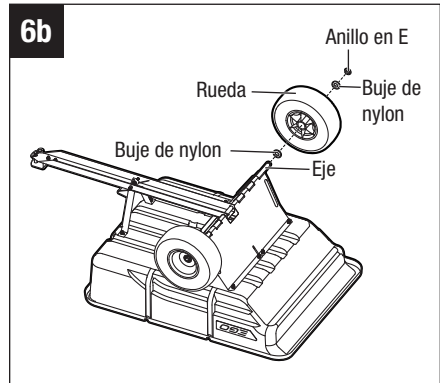
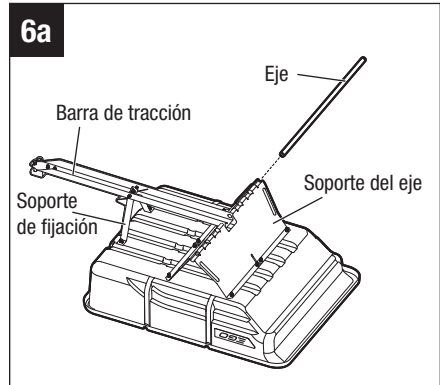
INSTALACIÓN DE LA BARRA DE TRACCIÓN Y LAS RUEDAS

1. Alinee los agujeros del ensamblaje de la barra de tracción con los agujeros del soporte del eje y posicione el ensamblaje de la barra de tracción sobre el soporte de fijación.
2. Inserte el eje a través del soporte del eje y la barra de tracción (Fig. 6a).

NOTA: Un recubrimiento ligero de grasa o aceite (no incluido) en el eje ayudará a insertar el eje a través del soporte del eje.

3. Asegúrese de que el soporte de fijación se acople en el pedal. Se puede hacer un ajuste aflojando los dos tornillos que sujetan el soporte de fijación y moviendo dicho soporte de fijación hacia delante o hacia detrás para cambiar el acoplamiento y/o la facilidad de funcionamiento.

4. Instale un buje de nylon en un extremo del eje.
5. Con la válvula orientada hacia fuera, instale una rueda en el eje.
6. Instale el segundo buje de nylon en el eje.
7. Utilice unos alicates (no incluidos) para instalar el anillo en E en el surco del eje (Fig. 6b).
8. Instale la otra rueda en el otro extremo del eje en la misma secuencia.
9. Infle las llantas hasta su presión correcta.



UTILIZACIÓN

⚠ ADVERTENCIA No deje que la familiaridad con este producto le haga descuidarse. Recuerde que una fracción de segundo de descuido es suficiente para causar lesiones graves.

⚠ ADVERTENCIA No utilice ningún aditamento o accesorio no recomendado por el fabricante de este producto. La utilización de aditamentos o accesorios no recomendados puede causar lesiones corporales graves.

APLICACIÓN

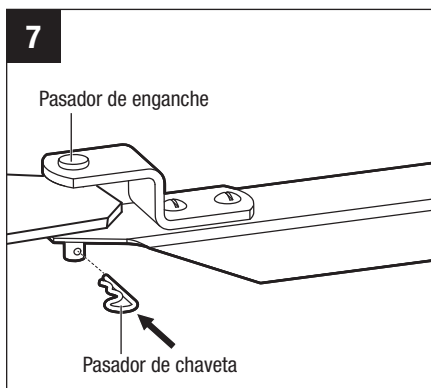
Usted puede utilizar este producto para los propósitos que se indican a continuación:

- Transporte y almacenamiento de material y artículos hasta 7 pies³ (0,2 m³) colmados o 450 lb (204 kg).

ENGANCHE DEL CARRITO A LA MÁQUINA REMOLCADORA (Fig. 7)

⚠ ADVERTENCIA Evite lesiones. Antes de enganchar el carrito, asegúrese de que el pedal esté bloqueado en la posición correcta.

1. Bloquee el carrito en la posición correcta utilizando el pedal.
2. Estacione la máquina de manera segura. (Consulte el manual del operador de la máquina remolcadora).
3. Alinee el agujero de la barra de tracción del carrito con el agujero del enganche de la máquina.
4. Instale el pasador de enganche a través de los agujeros.
5. Fije el pasador de enganche con el pasador de chaveta.



Para desenganchar el carrito:

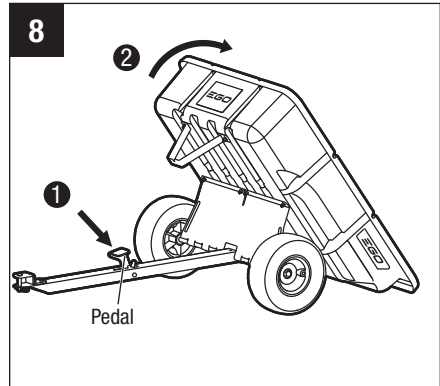
⚠ ADVERTENCIA Evite lesiones. Mantenga las manos, los pies y otras partes del cuerpo alejadas de la parte inferior de la barra de tracción.

1. Estacione la máquina de manera segura. (Consulte el manual del operador del vehículo remolcador).
2. Descargue el carrito.
3. Retire el pasador de chaveta y el pasador de enganche.
4. Empuje el carrito alejándolo de la máquina. Bloquee las ruedas del carrito.
5. Instale el pasador de enganche y el pasador de chaveta sobre la barra de tracción para fines de almacenamiento.

DESCARGA DEL CARRITO (Fig. 8)

⚠ ADVERTENCIA Evite lesiones. Antes de retroceder, asegúrese de que no haya nadie en el área, especialmente niños. Antes de volcar el carrito, estacione la máquina de manera segura, asegúrese de que el carrito esté conectado a la máquina remolcadora y asegúrese de que no haya nadie en el área, especialmente niños.

1. Estacione la máquina de manera segura. (Consulte el manual del operador de la máquina remolcadora).
2. Presione el pedal para liberar la plataforma del carrito.
3. Incline la plataforma del carrito hacia atrás para descargar el carrito.
4. Baje la plataforma del carrito, presione el pedal y suéltelo para bloquear la plataforma del carrito en la posición correcta.



DETERMINACIÓN DEL PESO PARA EL CARRITO

⚠ ADVERTENCIA Evite lesiones. Una carga remolcada excesiva puede causar pérdida de tracción y pérdida de control en pendientes. La distancia de parada aumenta con la velocidad y el peso de la carga remolcada. El peso remolcado total no debe exceder el peso combinado de la máquina remolcadora, el operador y el lastre delantero, o la capacidad máxima del carrito.

La cantidad que usted puede transportar en su carrito depende de dos factores:

- El peso combinado de la máquina remolcadora, el peso del operador y el lastre delantero potencial.
- La capacidad máxima del carrito.

Comience sumando el peso del operador al peso de la máquina. Si este total es menor que la capacidad máxima del carrito, usted puede transportar más peso en el carrito añadiendo lastre delantero a la máquina. Puede seguir añadiendo lastre hasta que alcance la capacidad máxima del carrito.

La capacidad máxima que usted puede transportar en este carrito no puede ser más que el total del peso de la máquina, el peso del operador y cualquier lastre, o la capacidad máxima del carrito.

Ejemplo:

Si la máquina remolcadora pesa: 500 lb (226,8 kg)

Añada el peso del operador: 200 lb (90,7 kg)

El peso combinado es igual a: 700 lb (317,5 kg)

Para mantener la estabilidad utilizando el carrito en este ejemplo, usted no puede transportar de manera segura más de 700 lb (317,5 kg) sin añadir primero lastre adicional a la máquina remolcadora.

MANTENIMIENTO

AVISO Inspeccione periódicamente todo el producto para determinar si hay piezas dañadas, si faltan piezas o si hay piezas flojas, tales como tornillos, tuercas, pernos, tapas, etc. Apriete firmemente todos los sujetadores y todas las tapas, y no utilice este producto hasta que todas las piezas que falten o estén dañadas hayan sido reemplazadas.

MANTENIMIENTO GENERAL

Evite utilizar solventes cuando limpie piezas de plástico. La mayoría de los plásticos son susceptibles de sufrir daños causados por diversos tipos de solventes comerciales y es posible que resulten dañados por su uso.

Utilice un paño limpio para eliminar la suciedad, el polvo, el aceite, la grasa, etc.

Lave la plataforma del carrito con agua limpia después de cada uso para evitar daños a la plataforma o los herrajes.

⚠ ADVERTENCIA No deje en ningún momento que líquidos de freno, gasolina, productos a base de petróleo, aceites penetrantes, etc., entren en contacto con las piezas de plástico. Las sustancias químicas pueden dañar, debilitar o destruir el plástico, lo cual puede que cause lesiones corporales graves.

LUBRICACIÓN DEL CARRITO

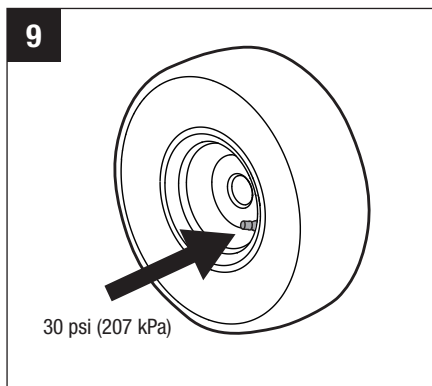
Lubrique anualmente los bujes de las ruedas o más frecuentemente con el uso pesado.

COMPROBACIÓN DE LA PRESIÓN DE LAS LLANTAS

Compruebe ambas llantas y asegúrese de que estén infladas con la presión que se muestra en la Fig. 9.

Herramientas requeridas (no incluidas):

- Manómetro para llantas;
- Compresor / Inflador de aire o bomba de bicicleta de servicio pesado.



⚠ ADVERTENCIA Compruebe minuciosamente la presión de las llantas mientras las infla. Demasiado aire en una llanta podría hacer que esta reviente, causando lesiones corporales graves.

⚠ ADVERTENCIA El mantenimiento de una presión de aire correcta es muy importante. Una presión demasiado pequeña podría permitir que la llanta rote y se separe del rin de la rueda. Demasiada presión podría hacer que la llanta reviente. Si no se mantiene una presión de aire correcta en las llantas se podrían causar problemas con el funcionamiento y la estabilidad del carrito, y con ellos causar lesiones corporales graves.

GARANTÍA LIMITADA DE EGO

TÉRMINOS Y DURACIÓN DE LA PÓLIZA DE GARANTÍA

Chervon North America, Inc. (“Chervon North America”), proporciona la siguiente Garantía Limitada para los productos EGO al comprador original de productos EGO.

El período de garantía detallado de cada producto EGO se puede encontrar en línea en <http://egopowerplus.com/warranty-policy>.

Sírvase contactar a Servicio al Cliente de EGO llamando gratis al 877-346-9876 (877-EGO-ZTRM) en cualquier momento en que tenga preguntas o reclamos de garantía.

GARANTÍA LIMITADA DE SERVICIO

Los productos EGO están garantizados contra defectos de material o de fabricación a partir de la fecha de compra minorista original durante el período de garantía aplicable. Para cualquier reclamo de garantía presentado de manera adecuada y oportuna, si Chervon North America determina que un producto presenta algún defecto durante el período de garantía, dicho producto recibirá una reparación o un replazo gratuitos, según lo determine Chervon North America.

CÓMO OBTENER SERVICIO

Para obtener servicio de garantía, dentro del período de garantía aplicable, sírvase contactar a servicio al cliente de EGO llamando gratis al 877-346-9876 (877-EGO-ZTRM). Cuando solicite servicio de garantía, deberá presentar el recibo de venta fechado original. Se seleccionará un centro de servicio autorizado para evaluar y reparar el producto si el mismo presenta algún defecto de acuerdo con los términos establecidos en la garantía. Cuando lleve su producto al centro de servicio autorizado, es posible que se requiera un pequeño depósito cuando deje allí su herramienta. Este depósito es reembolsable cuando se considere que el servicio de reparaciones esté cubierto bajo garantía. El comprador es responsable del transporte de cualquier equipo o aditamento de energía para exteriores a sus expensas.

LIMITACIONES Y EXCLUSIONES ADICIONALES

Esta garantía limitada se aplica solo al comprador original que realice la compra a un minorista EGO autorizado y no es transferible. Los productos EGO no serán considerados defectuosos, y esta garantía no se aplicará, en los casos en que el defecto por el que se presente el reclamo sea atribuible a cualquier causa que no sea los defectos definidos anteriormente en este documento. Esta garantía quedará anulada si el producto se ha utilizado para fines de alquiler. Esta garantía no se aplicará a daños causados por accidente, abuso, uso incorrecto, alteración, modificación, reparación no autorizada, contacto con líquidos, incendio, terremoto u otra causa externa; utilización del producto sin seguir las instrucciones, especificaciones o pautas de EGO; o no hacer servicio de ajustes y reparaciones o no mantener adecuadamente el producto. Esta garantía tampoco se aplica a los daños cosméticos, incluyendo, pero sin limitarse a ello, rasguñaduras o abolladuras; defectos causados por el desgaste por el uso normal o defectos que de alguna otra manera se deban al envejecimiento normal del producto.

ESTA GARANTÍA EXPRESA SE DA EN LUGAR DE TODAS LAS DEMÁS GARANTÍAS, EXPRESAS O IMPLÍCITAS, INCLUYENDO, PERO SIN LIMITARSE A ELLO, TODAS LAS GARANTÍAS DE COMERCIABILIDAD O IDONEIDAD PARA UN PROPÓSITO O USO EN PARTICULAR, LAS CUALES QUEDAN EXCLUIDAS. Todas las garantías implícitas, incluyendo las garantías de comerciabilidad o idoneidad para un propósito en particular, que no se puedan excluir bajo la ley estatal, están limitadas al período de garantía aplicable definido al comienzo de este artículo. El remedio único y exclusivo en conexión con la compra, instalación, uso y/o rendimiento de los productos EGO es la reparación o el reemplazo del producto tal y como lo determine Chervon North America. La responsabilidad máxima de Chervon North America no excederá en ningún caso el precio de compra pagado por el producto. CHERVON NORTH AMERICA NO SERÁ RESPONSABLE ANTE EL USUARIO NI ANTE NADIE MÁS POR DAÑOS EMERGENTES, INCIDENTALES, ESPECIALES, EJEMPLARES, INDIRECTOS O PUNITIVOS QUE SURJAN DEL USO DE LOS PRODUCTOS, INCLUYENDO, PERO SIN LIMITARSE A ELLO, LESIONES CORPORALES, MUERTE, DAÑOS MATERIALES, GANANCIAS PERDIDAS U OTROS PERJUICIOS ECONÓMICOS. Esta garantía le confiere a usted derechos legales específicos y es posible que usted tenga también otros derechos que varían de un estado a otro. Algunos estados no permiten limitaciones en cuanto a la duración de una garantía implícita, la exclusión o limitación de los daños incidentales o emergentes, o las limitaciones al tiempo para emprender ciertas acciones legales, por lo que las limitaciones contenidas en el presente documento no se aplican a los consumidores individuales de esos estados.



Esta garantía está sujeta a la ley de Michigan y se interpretará de acuerdo con dicha ley, con independencia de los principios sobre conflictos de leyes. No se emprenderá ninguna acción legal contra Chervon North America a menos que se presente dentro del plazo de un (1) año después de que se tenga conocimiento de la base de dicha acción legal o de la cual se debiera haber tenido conocimiento con el ejercicio de una diligencia razonable. Se considerará que se ha renunciado a cualquier acción legal que no se presente oportunamente.

Para obtener servicio al cliente, contáctenos llamando gratis al: **877-346-9876 (877-EGO-ZTRM)** o escribiendo a **EGOPOWERPLUS.COM**.
EGO Customer Service
769 Seward Ave. NW, Suite 102, Grand Rapids, Michigan 49504.

