

O N K Y O

MUSE SERIES

Integrated Amplifier

Y-50

Y-40

Instruction Manual
INTEGRATED AMPLIFIER
Y-50
Y-40

En



What's in the box	4	Adjusting the volume	29
Part Names	5	Bluetooth® Playback	30
Front Panel	6	Playing audio from Bluetooth	
Rear Panel: Y-50	7	wireless technology enabled devices	
Rear Panel: Y-40	8	with this unit	30
Status Icons	9	Adjusting the Bass, Treble and	
Remote Controller	10	Balance	31
Connections	11	Vocal Adjustment	32
Connecting Your Speakers	12	Using the DIRECT mode	33
Connect the Speaker Cables	12	Using Headphones	34
Connect the Subwoofer (Y-50 Only)	14	Switching the Display Content	35
Connecting a Turntable	15	Dimmer	37
Connecting the TV	16	Using MY INPUT	38
To ARC TV	16	Playback of Music Files Stored in a	
To Non-ARC TV	17	USB Storage Device	39
Connecting with a Device Equipped		Playing Music Streaming on This Unit	
with an HDMI Terminal (Y-50 Only)	18		40
Connecting a CD Player	19	Google Cast	41
Connecting a Headphone Amplifier or		Setting	41
USB DAC	20	Using Google Cast	41
Connecting a Power Amplifier	21	Spotify	42
Connecting the Power Cord	22	AirPlay®	43
Initial Setup	23	Basic Operations	43
Downloading the App	24	Music Server	44
Onkyo Controller	24	Setting Windows Media Player	
Network Connection	25	Legacy	44
Connecting via a wired LAN	25	Playing Back	44
Connecting to Wi-Fi using Onkyo		Setup Menu	45
Controller	26	Menu list	45
Playback	27	Equalizer	46
Basic Operations	28	Speaker Setting (Y-50 Only)	47
Turning the power on	28	Network	48
Selecting a source to play	28	Bluetooth	49
		Miscellaneous	50



Troubleshooting	51
General Specifications	52
License and Trademark	55
Update History	56

Supplementary Information

Features, etc. released in firmware updates



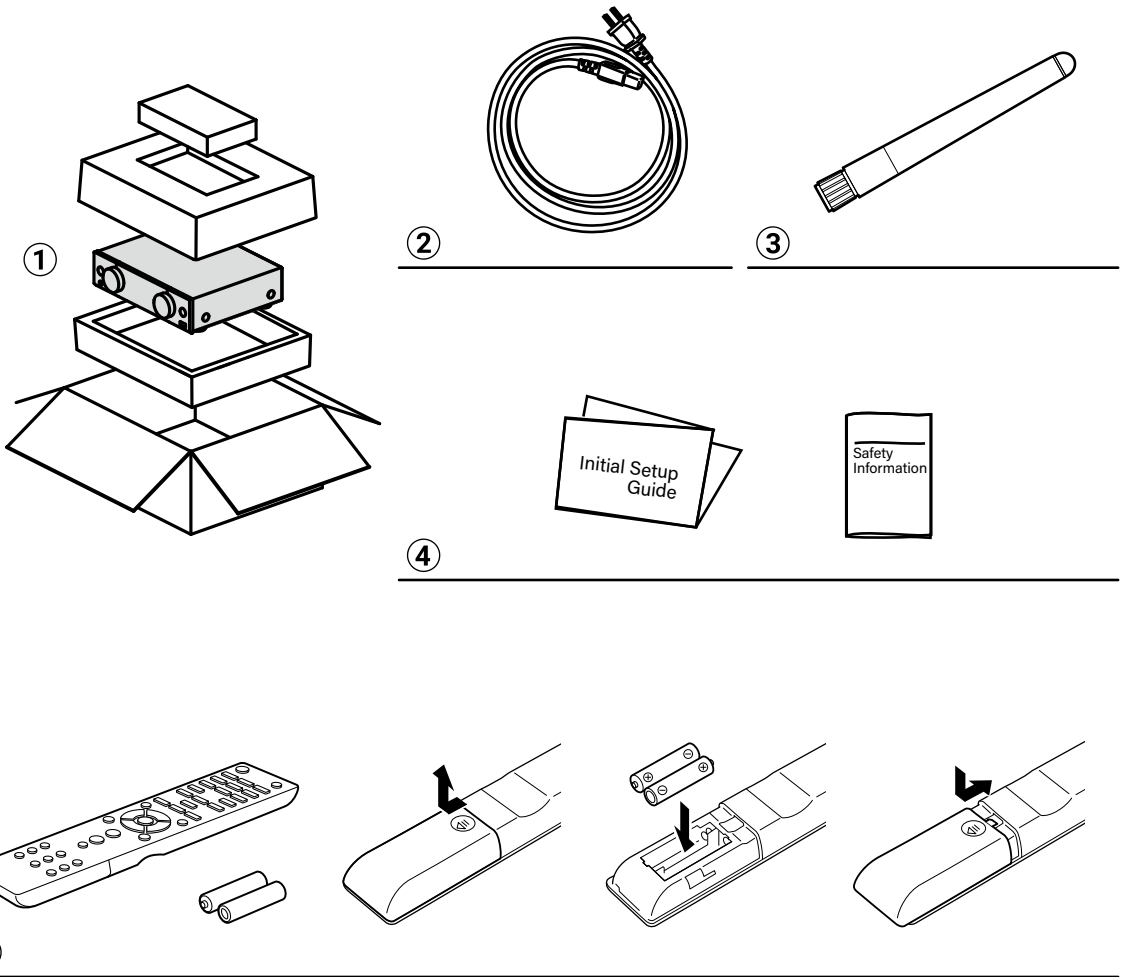
Reducing the Power Consumption in Standby State

When the following functions are enabled, the power consumption in standby state increases. To reduce the power consumption in standby state, check each setting and set the functions to "Off".

- Network Standby (→[p48](#))
- HDMI CEC (→[p50](#))



What's in the box



- ① **Main unit**
- ② **Power cord (1)** *Depending on the model, 2 or more Power Cords are supplied. Use the type of cord suited to your area.
- ③ **Wireless antenna**
- ④ **Initial Setup Guide, Safety Information**
- ⑤ **Remote controller(RC-994S) (1)
Batteries (AAA/R03) (2)**

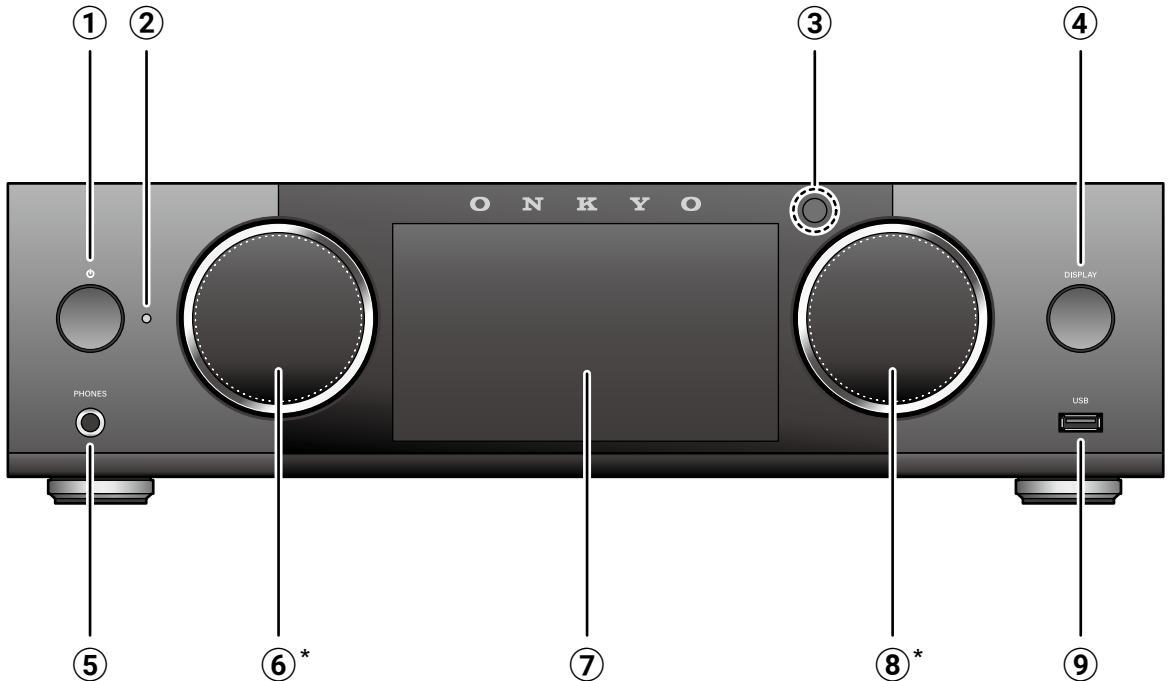
* This is an online user manual. This is not supplied with the product.



Front Panel	6
Rear Panel: Y-50	7
Rear Panel: Y-40	8
Status Icons	9
Remote Controller	10



Front Panel



① **ON/STANDBY button** (→p28)

② **Power indicator:**

Power On: Lit

Standby: Unlit*

*When the following setting is turned on, the power indicator is lit even in the standby mode.

Network Standby: On (→p48)

③ **Remote control sensor:** Receives signals from the remote controller.

- The reception range of the remote controller is within a distance of approx. 16'5 m, and an angle of 20° in vertical direction and 30° to right and left.

④ **Display button:** Switches the display content. (→p35)

⑤ **PHONES jack** (→p34)

⑥ **Selector knob:** Switches the input source. (→p28)

Pressing the selector knob displays the setup menu (→p45) . Turning or pressing the knob configures the settings for this unit.

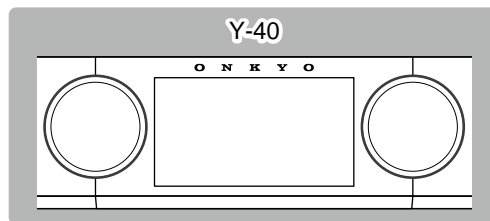
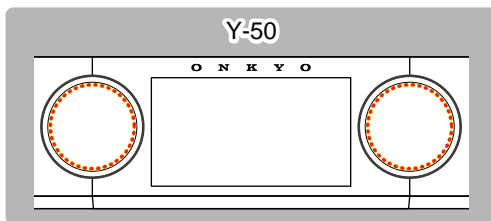
⑦ **Display** (→p9)(→p35)

⑧ **MASTER VOLUME dial** (→p29)

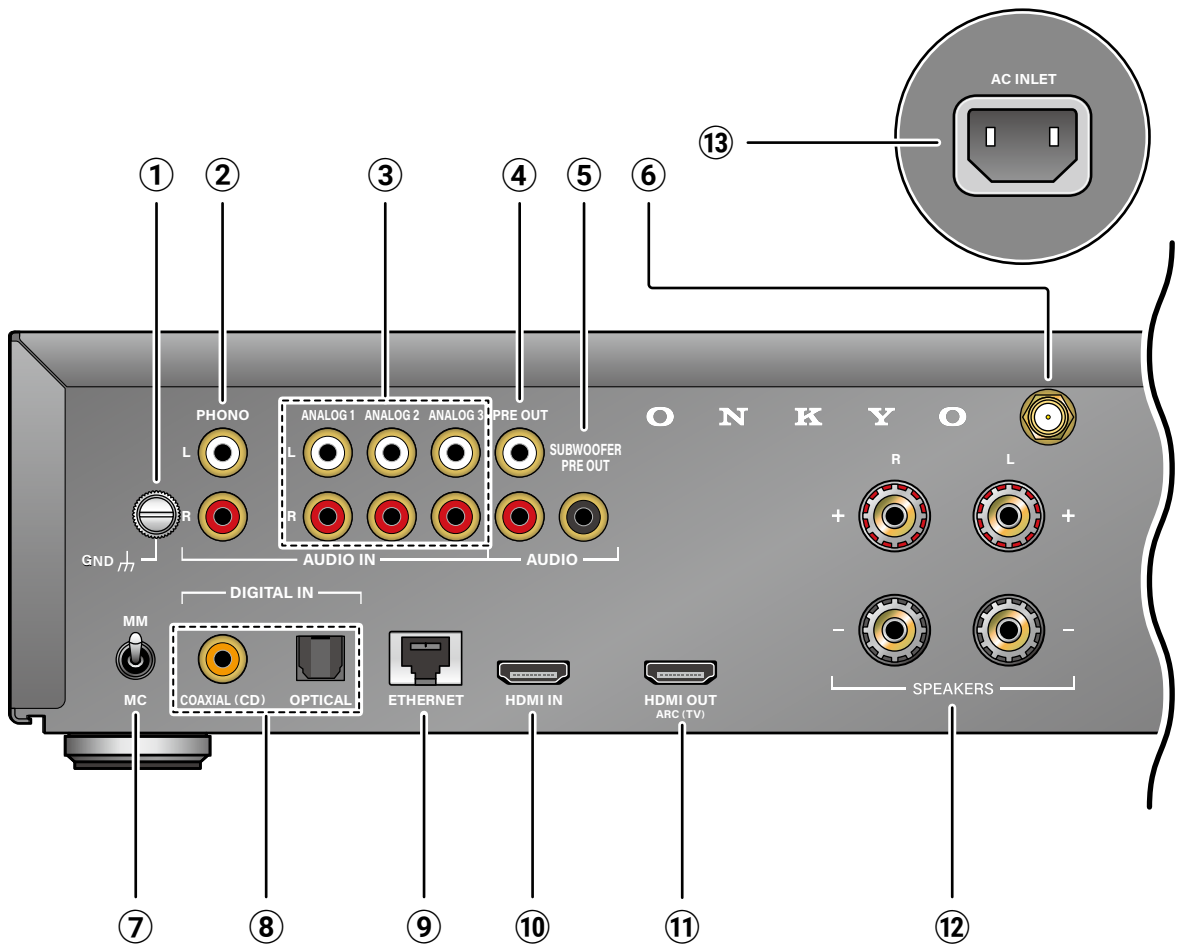
⑨ **USB port** (→p39)

*The Selector knob and MASTER VOLUME dial of Y-50 are equipped with LEDs.

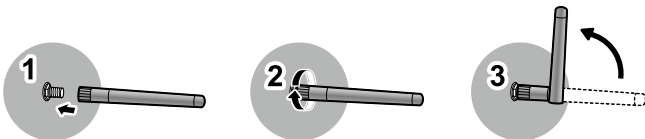
The LEDs light up by turning on the power, and can be turned off by using the Dimmer function.(→p37)



Rear Panel: Y-50

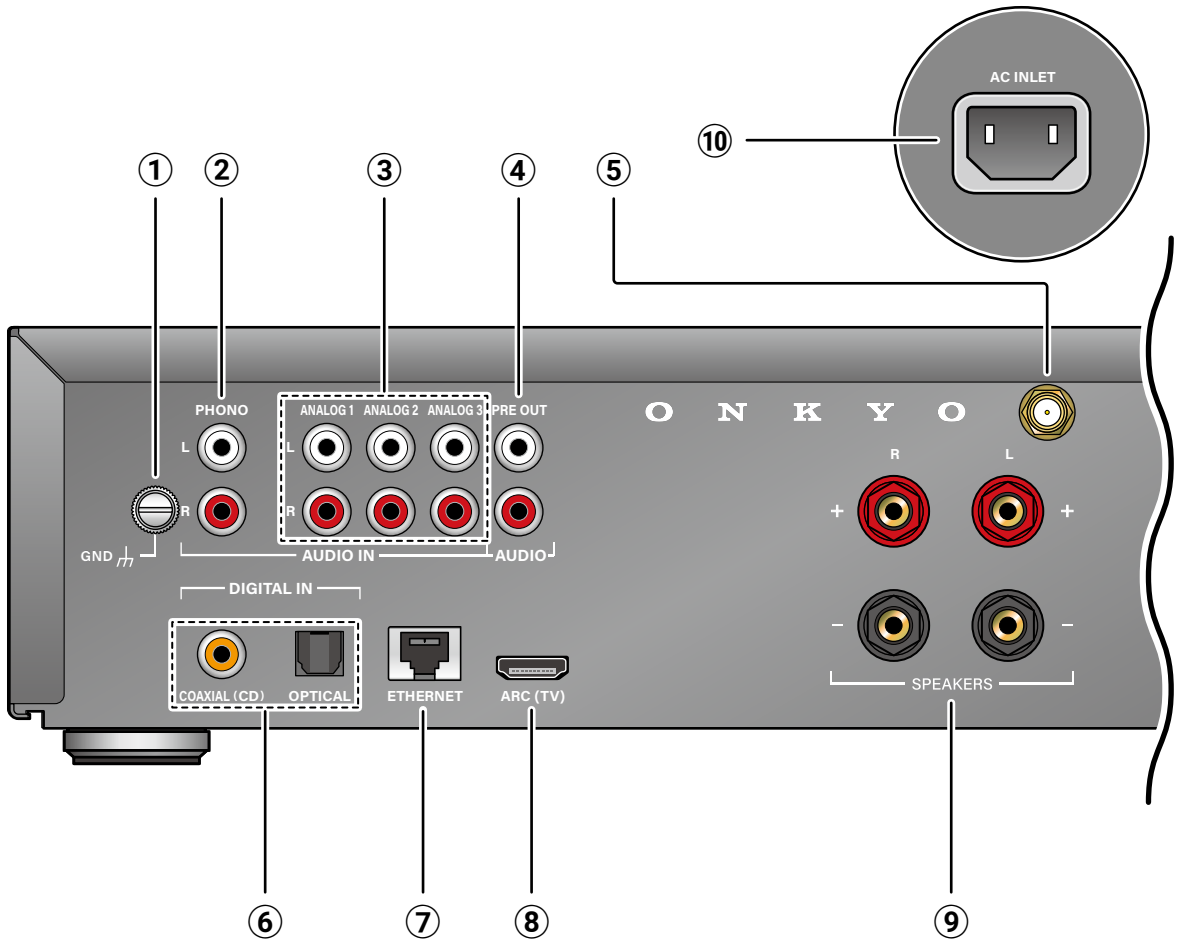


- ① **GND terminal:** Connect the ground wire of the turntable. (→p15)
- ② **PHONO jacks:** Input turntable audio signals with an analog audio cable. (→p15)
- ③ **AUDIO IN jacks:** Input AV component audio signals with an analog audio cable.
- ④ **PRE OUT jacks:** Connect to a power amplifier. (→p21)
- ⑤ **SUBWOOFER PRE OUT jack:** Connect a powered subwoofer with a subwoofer cable.
- ⑥ **Antenna terminal:** Connect the supplied antenna to this terminal. Be sure to connect the antenna. Otherwise, Wi-Fi and Bluetooth® cannot be used.

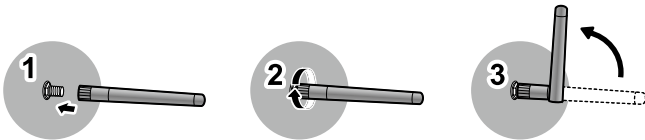


- ⑦ **MM/MC selector switch** (→p15)
- ⑧ **DIGITAL IN OPTICAL/COAXIAL jacks:** Input TV or AV component digital audio signals with a digital optical cable or digital coaxial cable. (→p19)(→p17)
- ⑨ **ETHERNET port:** Connect to the network with an Ethernet cable. (→p25)
- ⑩ **HDMI IN jack:** Use an HDMI cable to connect your game console, cable TV tuner, and Blu-ray player.
- ⑪ **HDMI OUT jack:** Connect the TV using an HDMI cable. (→p16)
- ⑫ **SPEAKERS terminals** (→p12)
- ⑬ **AC IN terminal** (→p22)

Rear Panel: Y-40

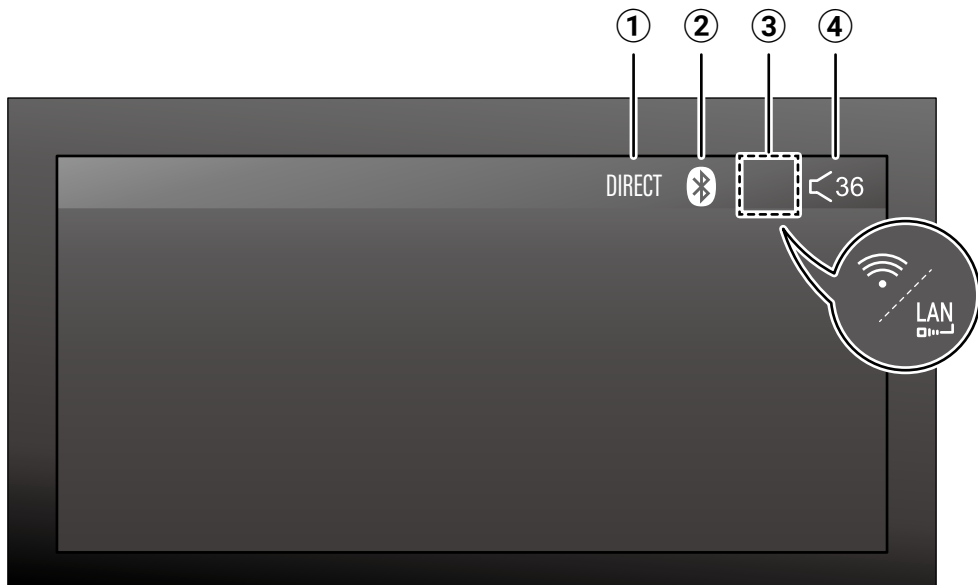


- ① **GND terminal:** Connect the ground wire of the turntable. (→[p15](#))
- ② **PHONO jacks:** Input turntable audio signals with an analog audio cable. (→[p15](#))
- ③ **AUDIO IN jacks:** Input AV component audio signals with an analog audio cable.
- ④ **PRE OUT jacks:** Connect to a power amplifier. (→[p21](#))
- ⑤ **Antenna terminal:** Connect the supplied antenna to this terminal. Be sure to connect the antenna. Otherwise, Wi-Fi and Bluetooth cannot be used.



- ⑥ **DIGITAL IN OPTICAL/COAXIAL jacks:** Input TV or AV component digital audio signals with a digital optical cable or digital coaxial cable. (→[p19](#))(→[p17](#))
- ⑦ **ETHERNET port:** Connect to the network with an Ethernet cable. (→[p25](#))
- ⑧ **HDMI ARC jack:** Connect the TV using an HDMI cable. (→[p16](#))
- ⑨ **SPEAKERS terminals**(→[p12](#))
- ⑩ **AC IN terminal** (→[p22](#))

Status Icons



① **DIRECT** (→[p33](#))

② **Bluetooth** (→[p30](#))

Displayed: Connected

Blinking*: Connection standby (pairing in progress)

Displayed dark: Bluetooth function off (→[p49](#))

*When Bluetooth is not used, turn off the Bluetooth function. The icon stops blinking.

③ **Network**

Displayed: Connected to network

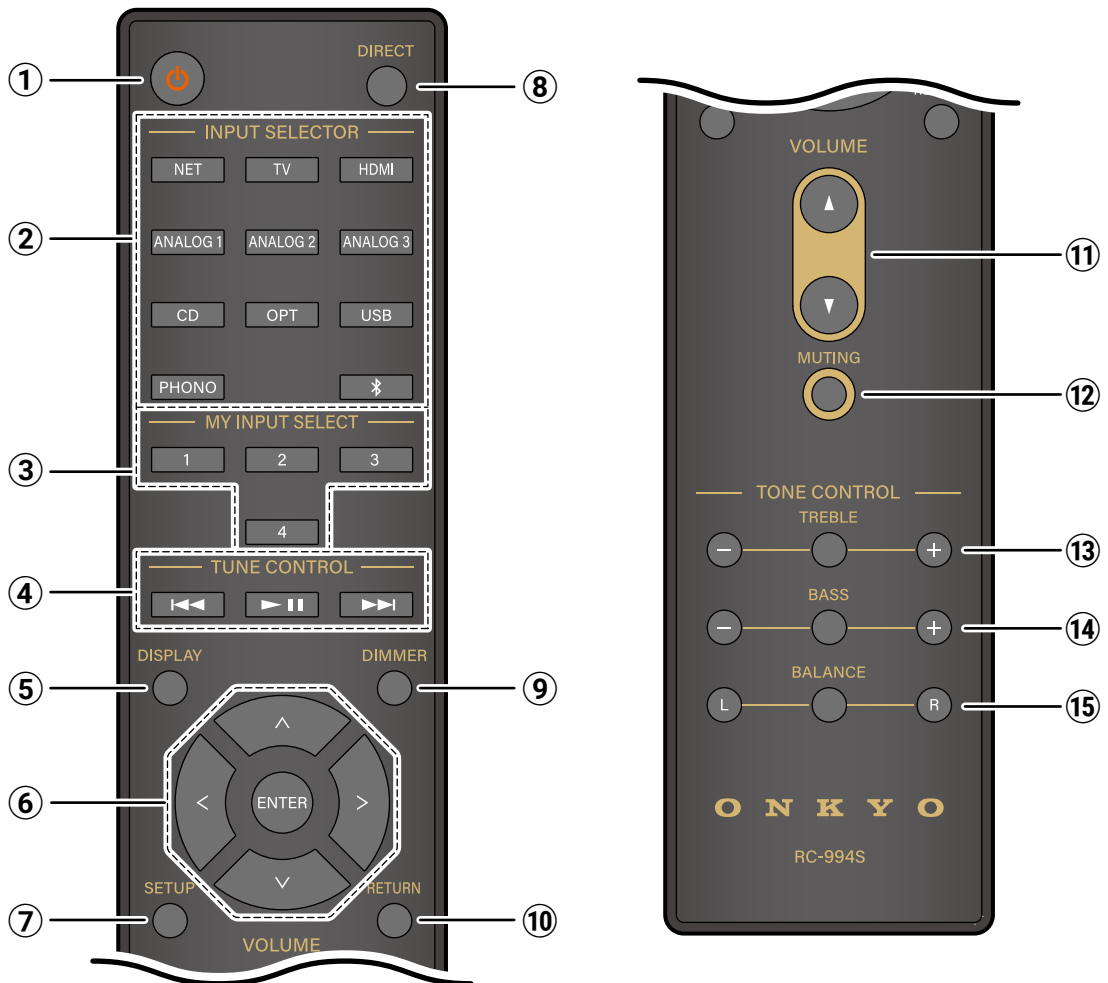
Blinking: Unconnected to network

Displayed dark: Unconnected to the external network

④ **Sound volume value**



Remote Controller



- ① **ON/STANDBY button** (→p28)
- ② **Input selector buttons:** Switches the input source for playback. (→p28)
- ③ **MY INPUT 1/2/3/4 buttons** (→p38)
- ④ **TUNE CONTROL buttons:** Used to play music using the network function or a USB device. (→p39) (→p40)
- ⑤ **DISPLAY button:** Switches the display content.
- ⑥ **Cursor buttons and ENTER button:** Select an item with the cursors, and press ENTER to confirm your selection.
- ⑦ **SETUP button** (→p45)
- ⑧ **DIRECT button** (→p33)
- ⑨ **DIMMER button:** Switches the brightness of the display with three levels. (→p37)
- ⑩ **RETURN button**

- ⑪ **Volume buttons** (→p29)
 - ⑫ **MUTE button:** Temporarily mutes audio. Press the button again to cancel muting. (→p29)
 - ⑬ **TREBLE +/- buttons*** (→p31)
 - ⑭ **BASS +/- buttons*** (→p31)
 - ⑮ **BALANCE L/R buttons*** (→p31)
- *Displays the current setting value using the center button, and adjusts the level using "+", "R" or "-", "L" buttons.



Connecting Your Speakers	12
Connect the Subwoofer (Y-50 Only)	14
Connecting a Turntable	15
Connecting the TV	16
Connecting with a Device Equipped with an HDMI Terminal (Y-50 Only)	18
Connecting a CD Player	19
Connecting a Headphone Amplifier or USB DAC	20
Connecting a Power Amplifier	21
Connecting the Power Cord	22

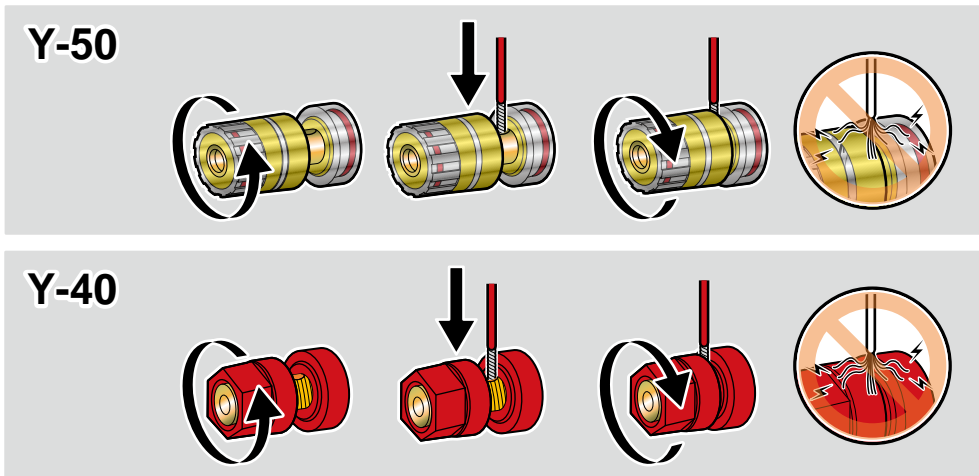
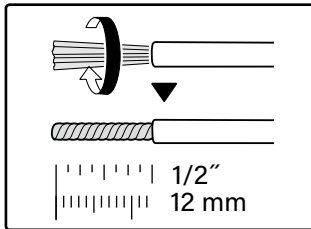
Connections



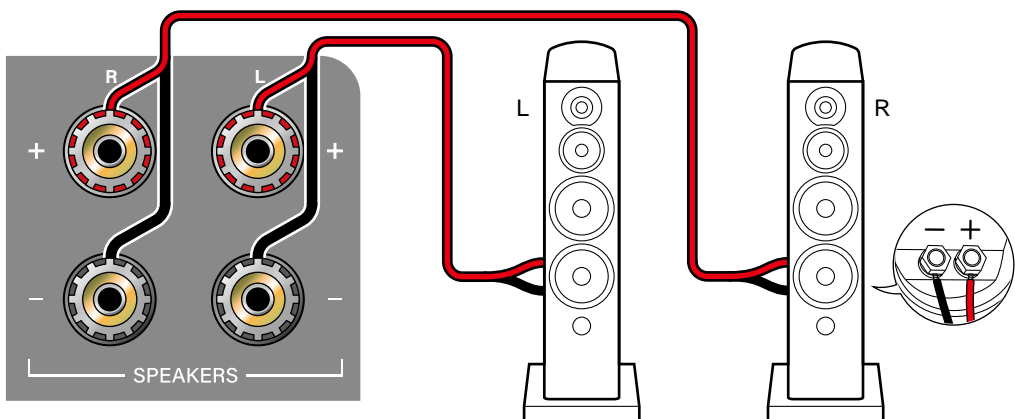
Connecting Your Speakers

- This unit supports low impedance speakers with impedances of 4Ω to 16Ω.
- Firmly twist the core wire of the speaker cable, and insert it to the speaker terminal of this unit.

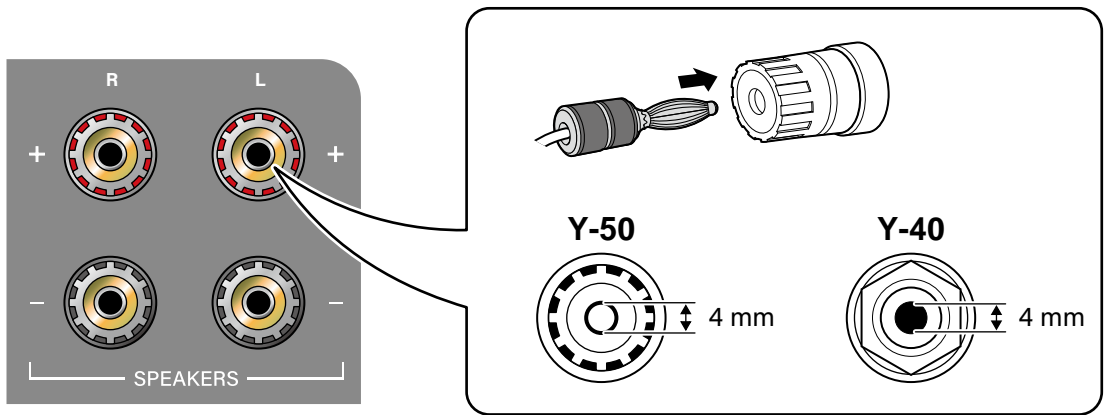
Connect the Speaker Cables



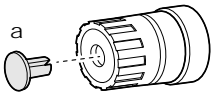
■ General connection method



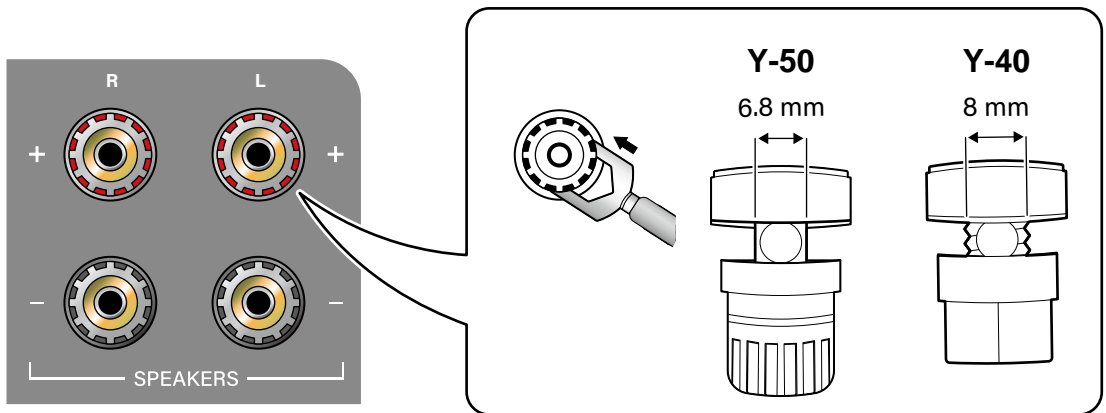
■ Banana plug connection



*A banana plug cap (a) is attached to the products destined for Europe.

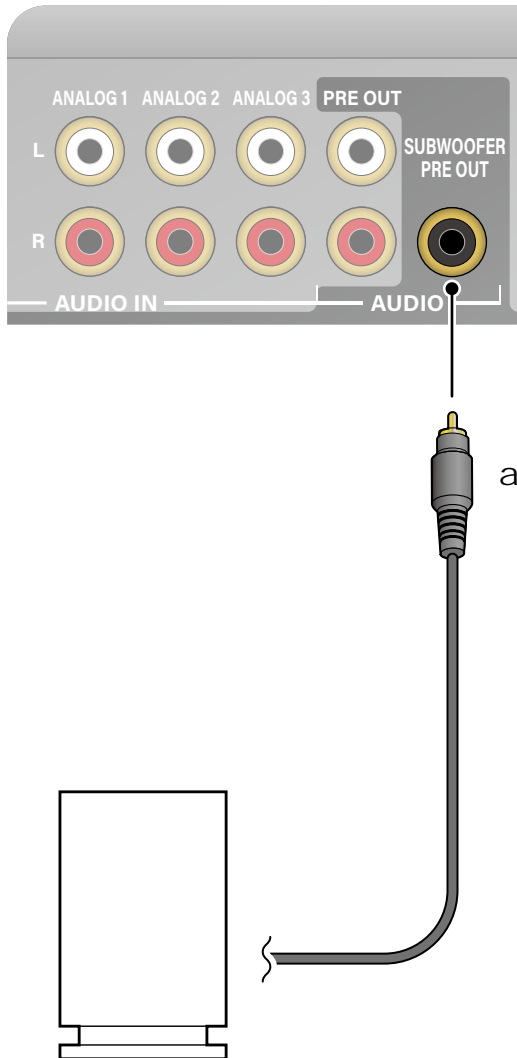


■ Y-spade plug connection



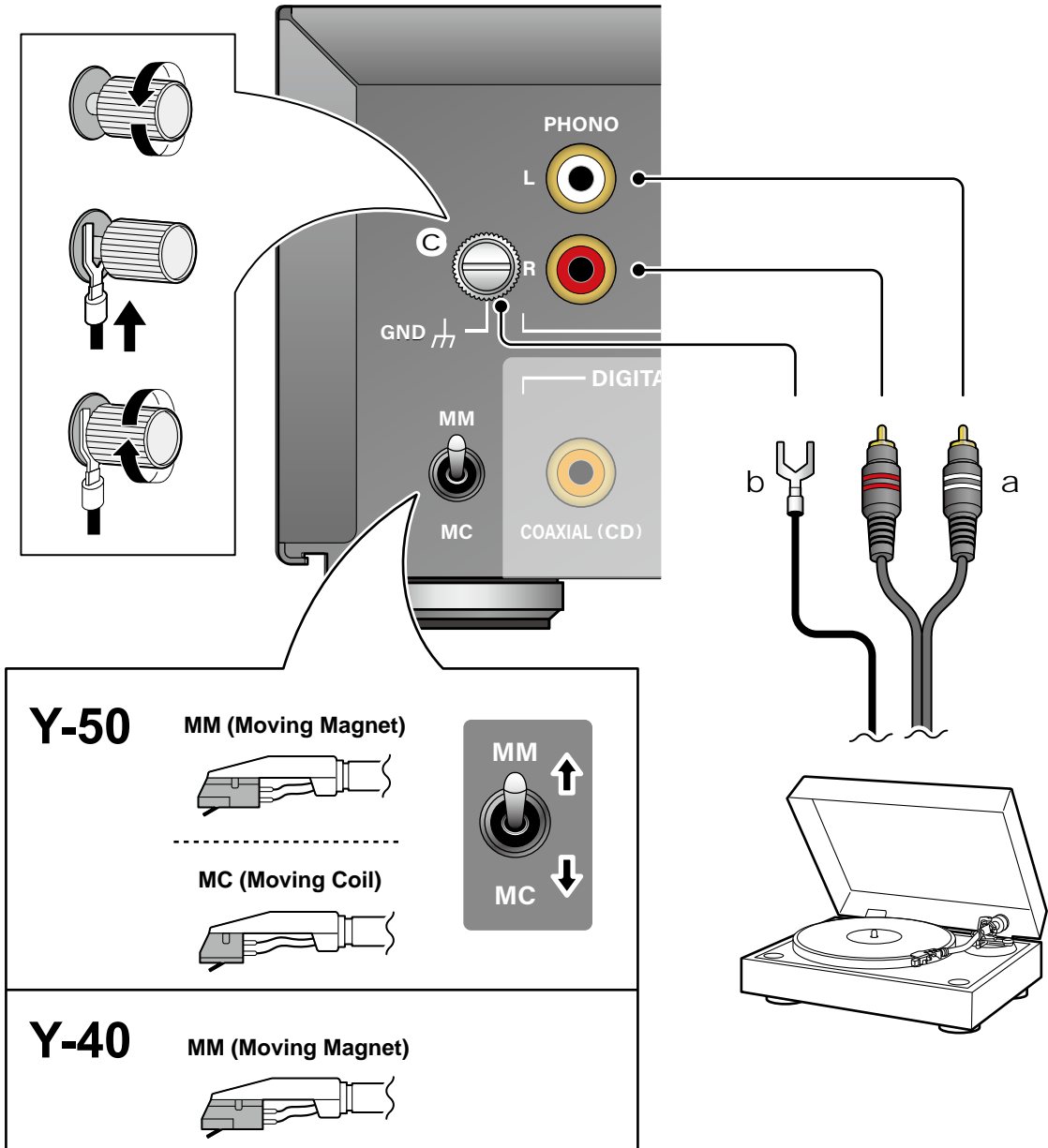
Connect the Subwoofer (Y-50 Only)

Connect a powered subwoofer with this unit using a subwoofer cable (a).



Connecting a Turntable

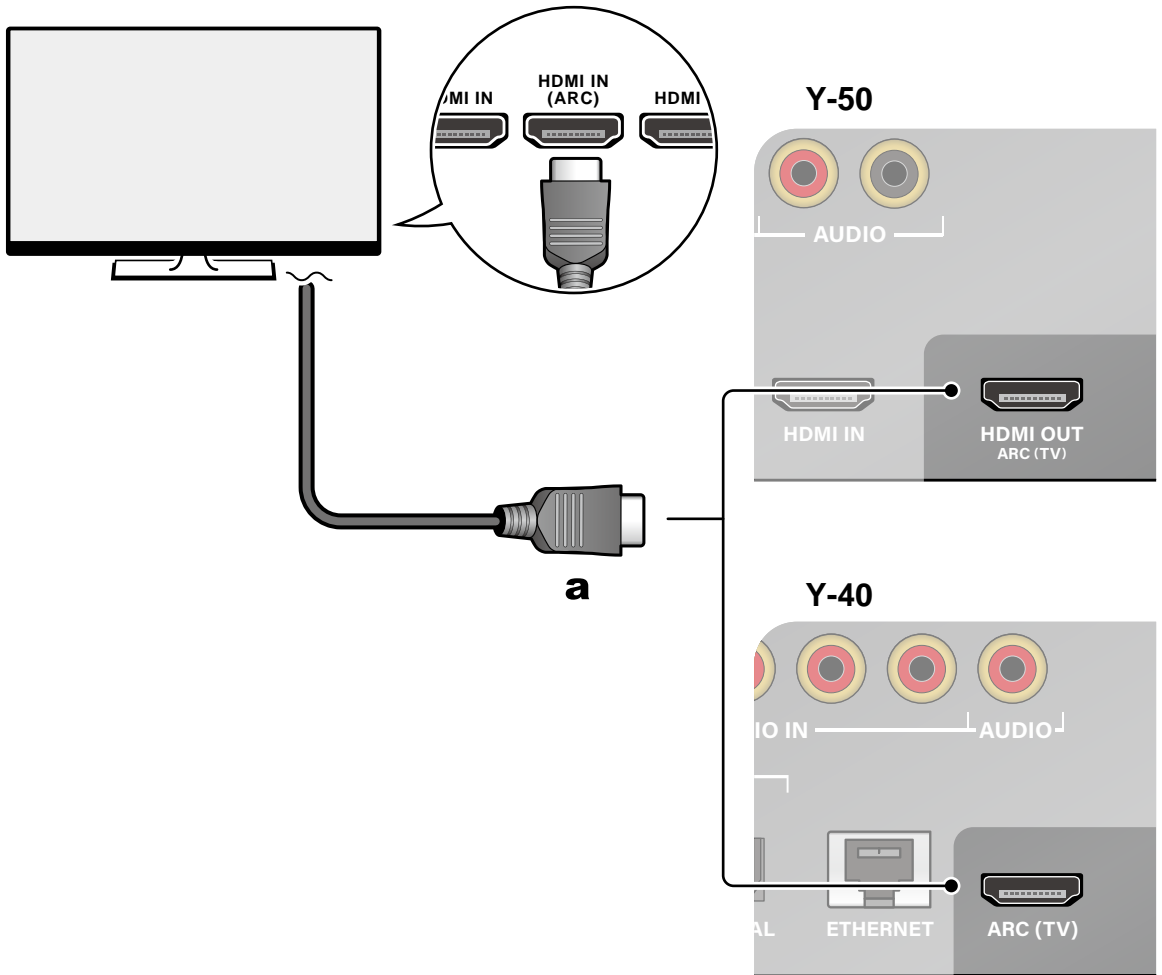
- Using an analog audio cable (a), connect a turntable.
 - If your turntable has a built-in phono preamp, you can connect the turntable to other analog inputs such as **ANALOG 1**.
 - If your turntable has a ground wire (b), connect it to the **GND** screw (c). With some turntables, connecting the ground wire may produce an audible hum. If this happens, disconnect it.
- According to the type of cartridge of the turntable, switch between MM and MC. (Y-50 only)



Connecting the TV

To ARC TV

If the TV supports the ARC (Audio Return Channel) function(*), use only the HDMI cable (a) to connect with the TV. Use the ARC-compatible HDMI IN jack of the TV for connection.



- To play audio of TV connected with the HDMI cable, press the "TV" button on the remote controller or turn the selector knob to switch the input source to "TV". (→[p28](#))

(*) The ARC function transmits audio signals from the TV via an HDMI cable and plays the TV audio on this unit. Please check the TV's instruction manual to see if it supports the ARC function.

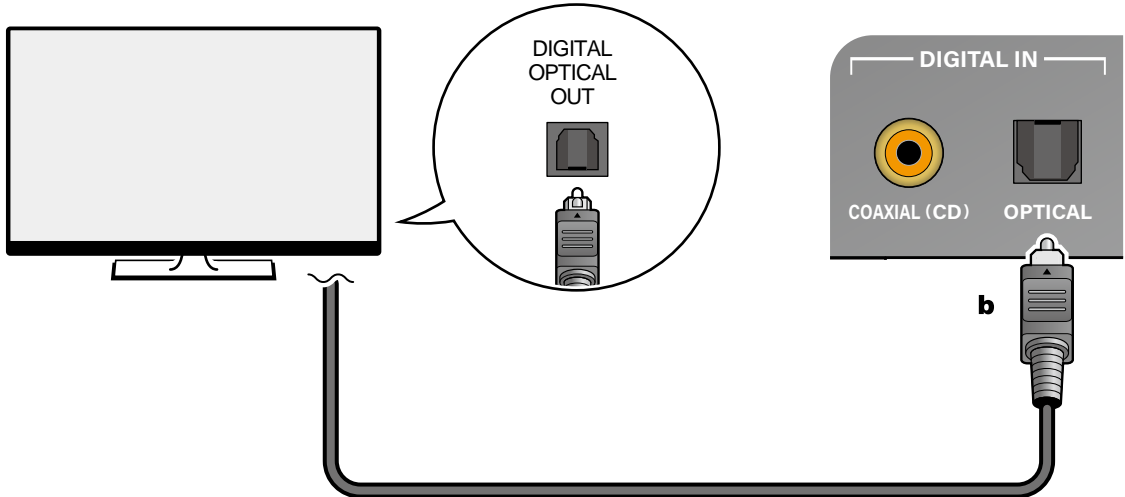
Note

If the TV audio is not played from the speakers connected to this unit, check that the audio output destination is set to an external device in the TV's ARC settings. Also, check that the HDMI cable is compatible with ARC.



To Non-ARC TV

If your TV does not support ARC (Audio Return Channel) (*), connect a digital optical cable (b).

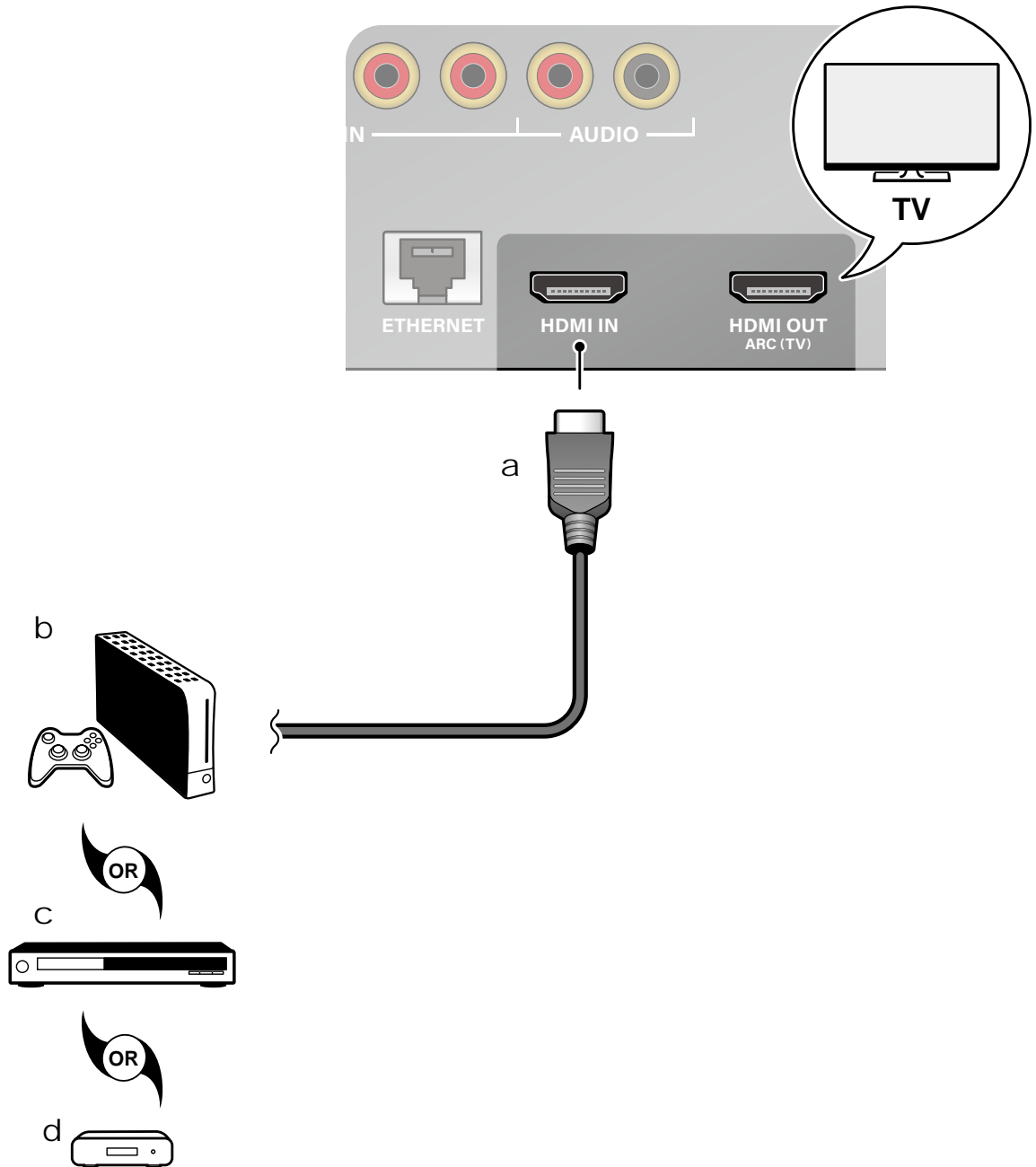


(*) The ARC function transmits audio signals from the TV via an HDMI cable and plays the TV audio on this unit. Please check the TV's instruction manual to see if it supports the ARC function.



Connecting with a Device Equipped with an HDMI Terminal (Y-50 Only)

Using an HDMI cable (a) allows for connection with a game machine (b), Blu-ray disc/DVD player (c), set-top box (d), etc.



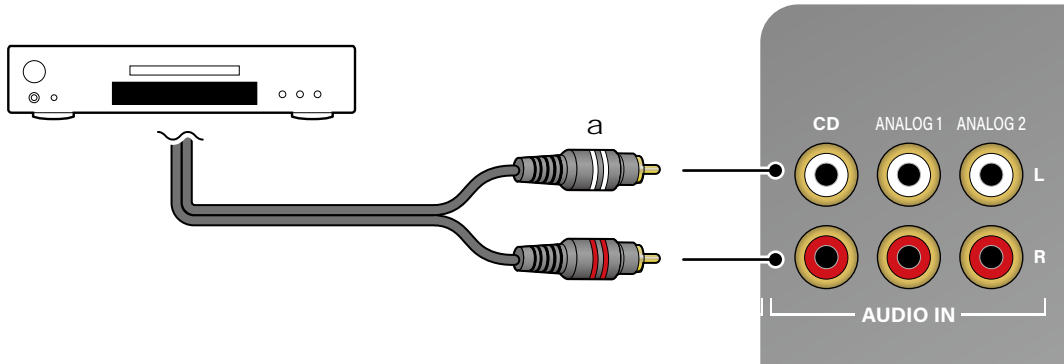
Connecting a CD Player

Connect the CD player using an analog cable or digital cable (optical digital cable or coaxial digital cable).

■ Analog Connection

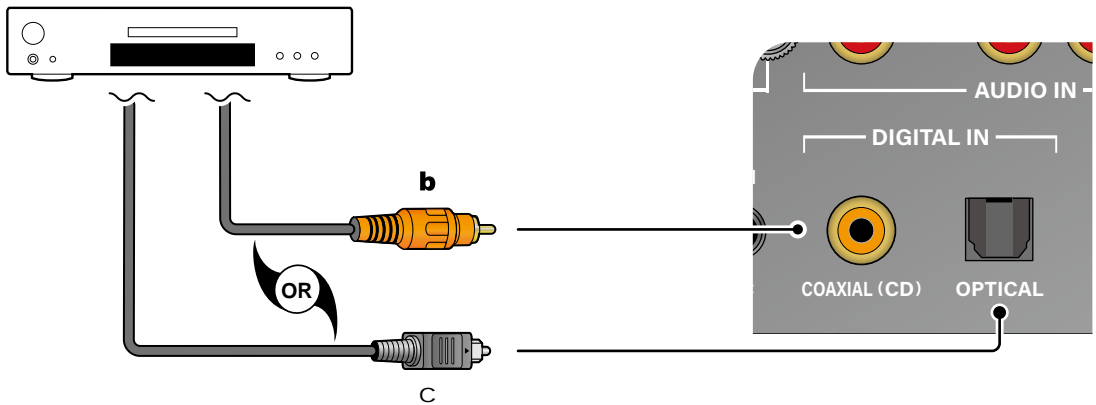
Using an analog audio cable (a), connect a CD player to any of the following terminals.

: AUDIO IN (ANALOG 1, ANALOG 2, ANALOG 3).



■ Digital Connection (Coaxial or Optical)

Using a digital coaxial cable (b) or digital optical cable (c), connect a CD player to the DIGITAL IN terminal.

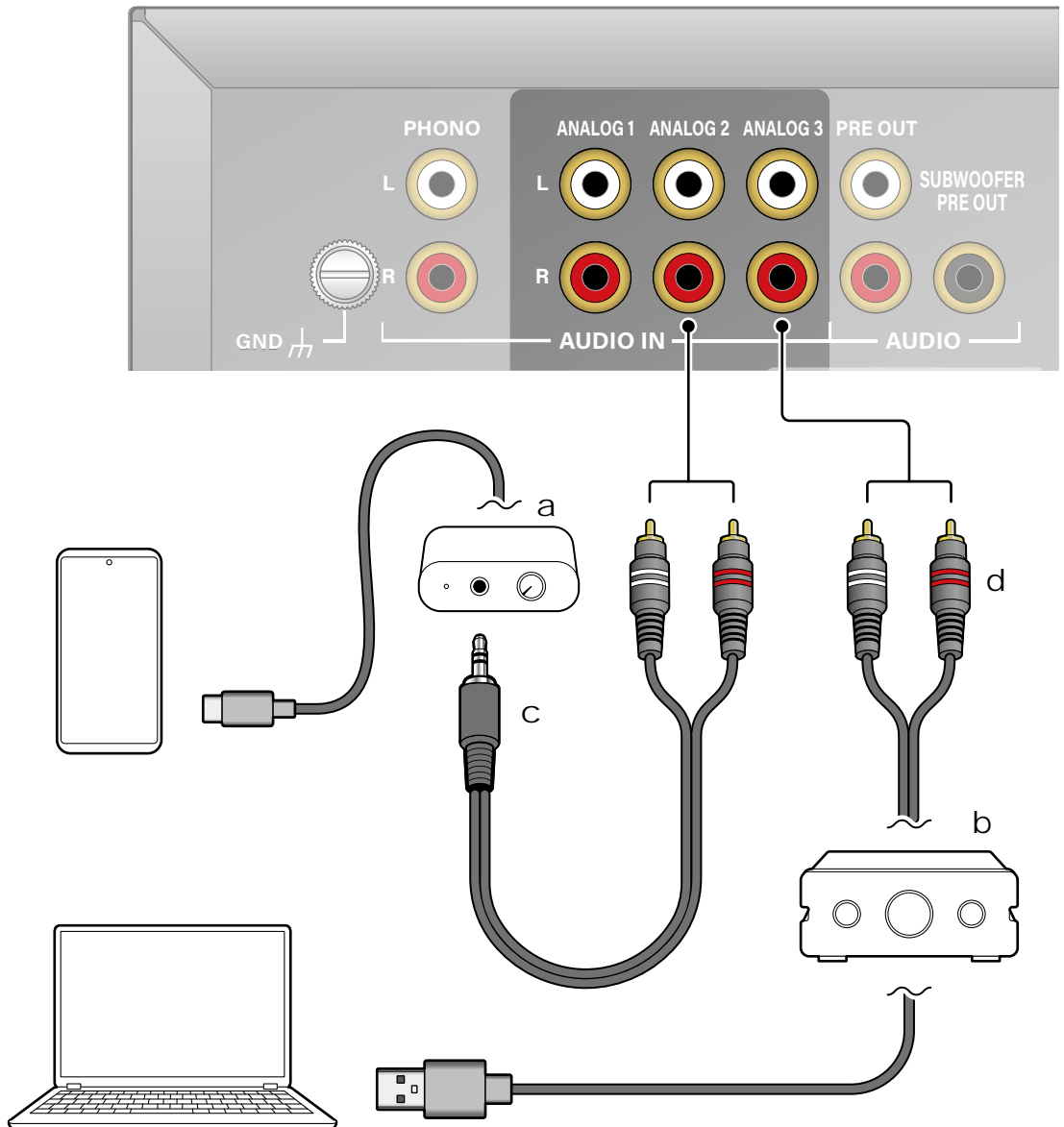


- To play audio of the CD player connected with the digital coaxial cable, press the "CD" button on the remote controller or turn the selector knob to switch the input source to "COAX". (→ [p28](#))



Connecting a Headphone Amplifier or USB DAC

When connecting a smartphone or PC using a headphone amplifier (a) or USB DAC (b), connect to the AUDIO IN terminals (ANALOG 1, ANALOG 2, ANALOG 3).



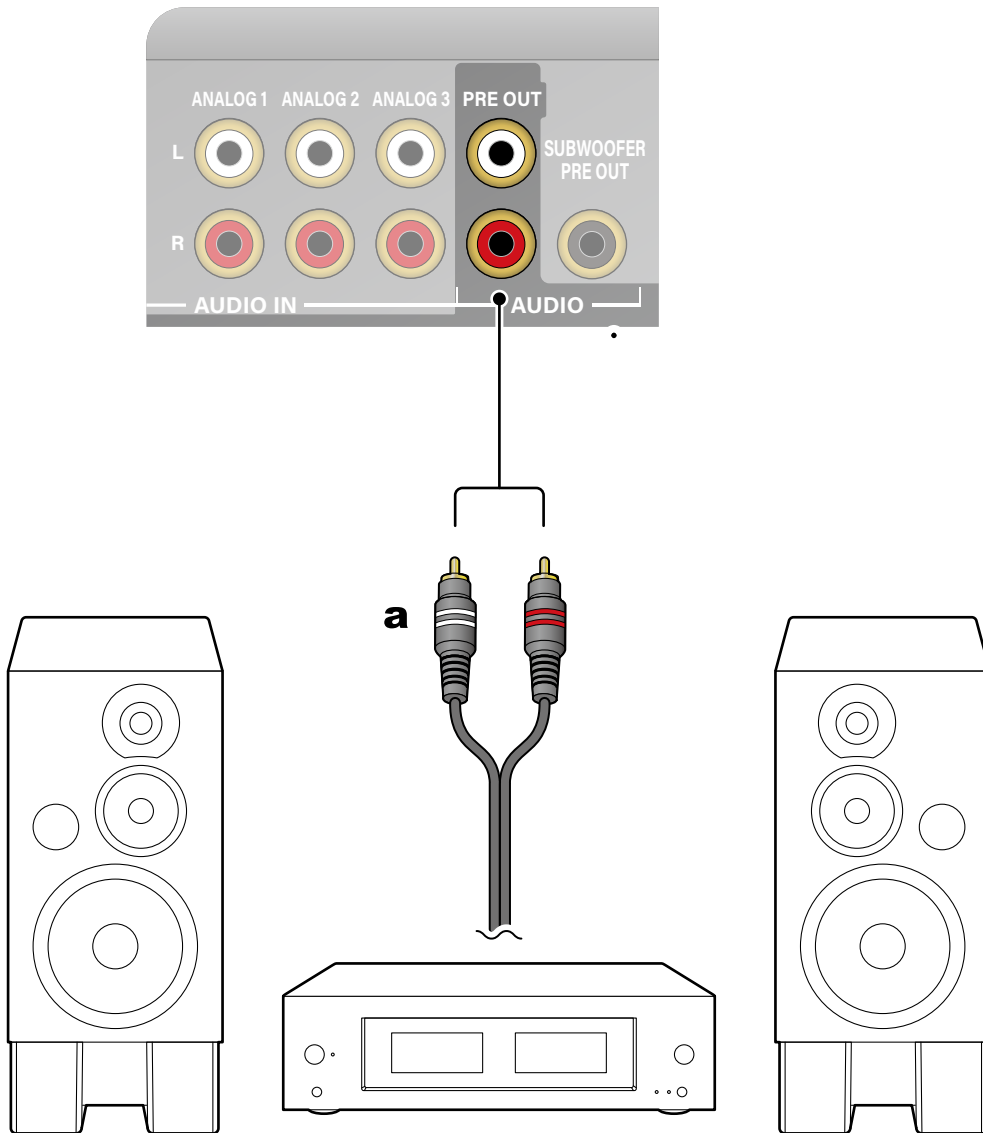
c Conversion cable (*), d Analog audio cable

(* Use a type of conversion cable that does not include a resistance part. Types of cables with resistance parts are used for microphone terminals.



Connecting a Power Amplifier

This unit is equipped with PRE OUT terminals to which a power amplifier can be connected.
Use your desired power amplifier.

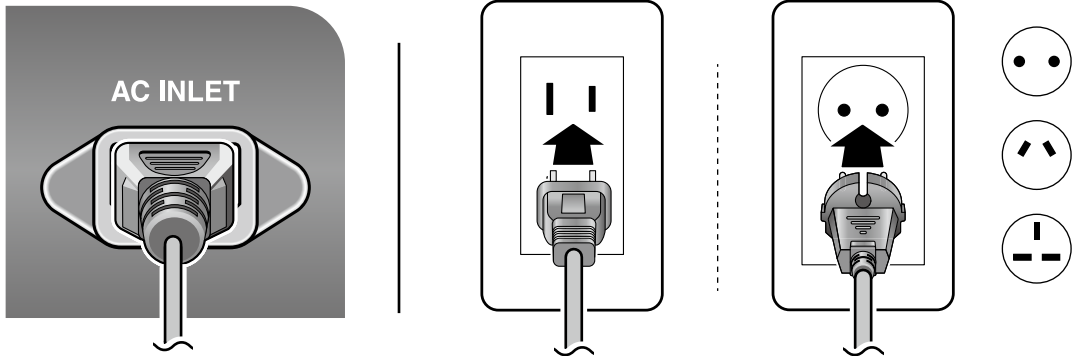


a Analog audio cable



Connecting the Power Cord

Connect the power cord after all the connections are completed.



Downloading the App	24
Network Connection	25



Initial Setup

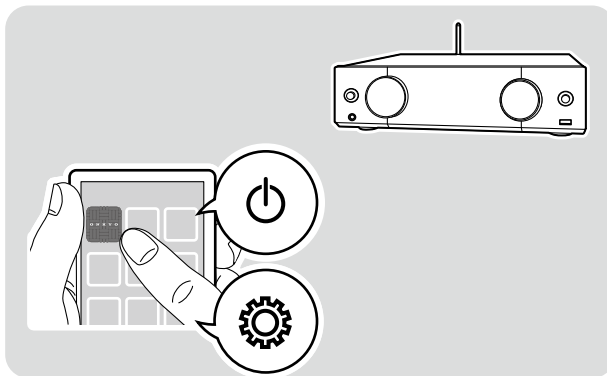


Downloading the App

Onkyo Controller



Onkyo Controller (available on iOS and Android™ handsets) is a dedicated app available for free which allows you to use your handset as a remote controller. Using this app allows you to configure Wi-Fi (wireless LAN) settings for this unit, and perform input switching, volume adjustment, sound adjustment, etc.



<https://onkyo.com/onkyo-app-android>



<https://onkyo.com/onkyo-app-ios>



Network Connection

This unit can be connected to a network via a wired LAN or Wi-Fi (wireless LAN). Connecting to the network allows you to operate the main unit using the app or enjoy the network function such as streaming playback.

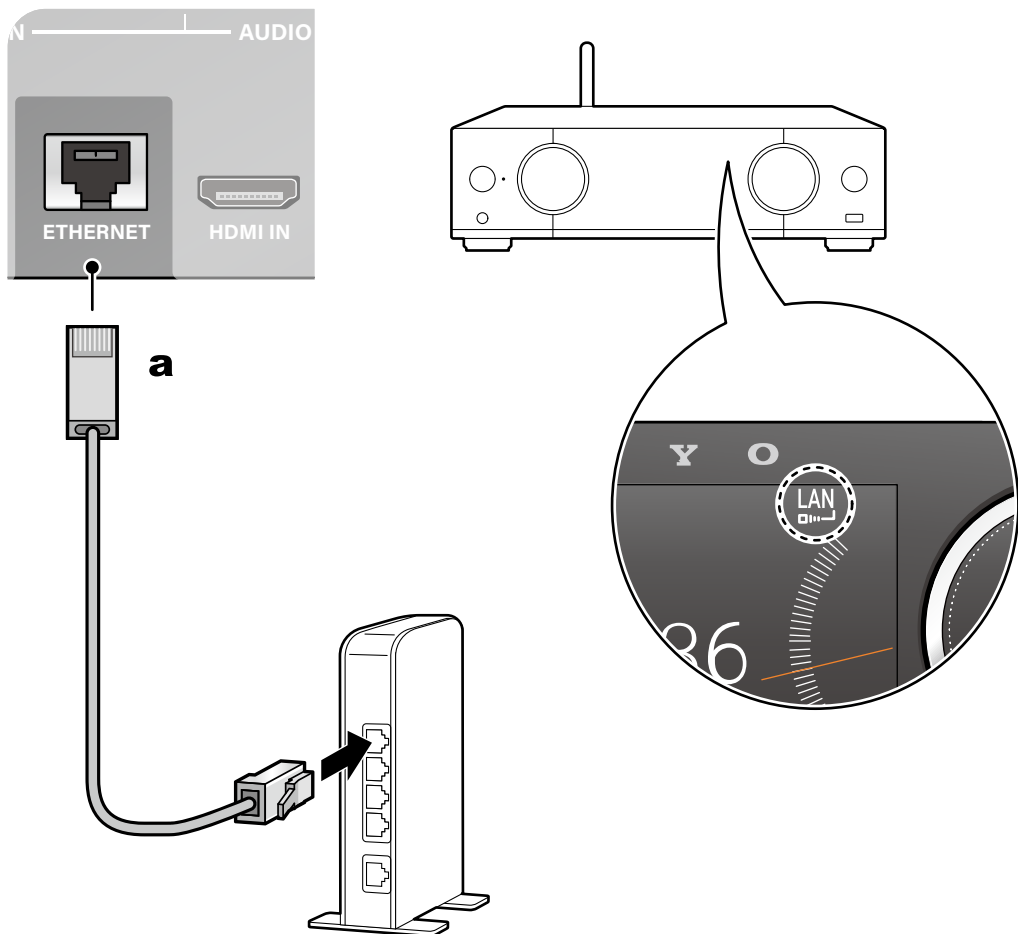
- ❑ Connecting via a wired LAN (→p25)
- ❑ Connecting to Wi-Fi using Onkyo Controller (→p26)
- ❑ Connecting to Wi-Fi using "Network Wizard" on the setup menu (→p45)

Connecting via a wired LAN

When using a wired LAN for connection, connect the router and the ETHERNET terminal using the Ethernet cable (a) as shown below.

When the network connection is successful, the "LAN" icon is displayed.

- The IP address and other network information can be checked in "Network Information" on the setup menu. (→p45)



Note

For security reasons, always connect via a router, etc., when connecting this unit to the Internet. Do not directly connect to the communication circuits (including public wireless LAN) of a telecommunications provider (mobile communications company, fixed-line communications company, Internet provider, etc.).

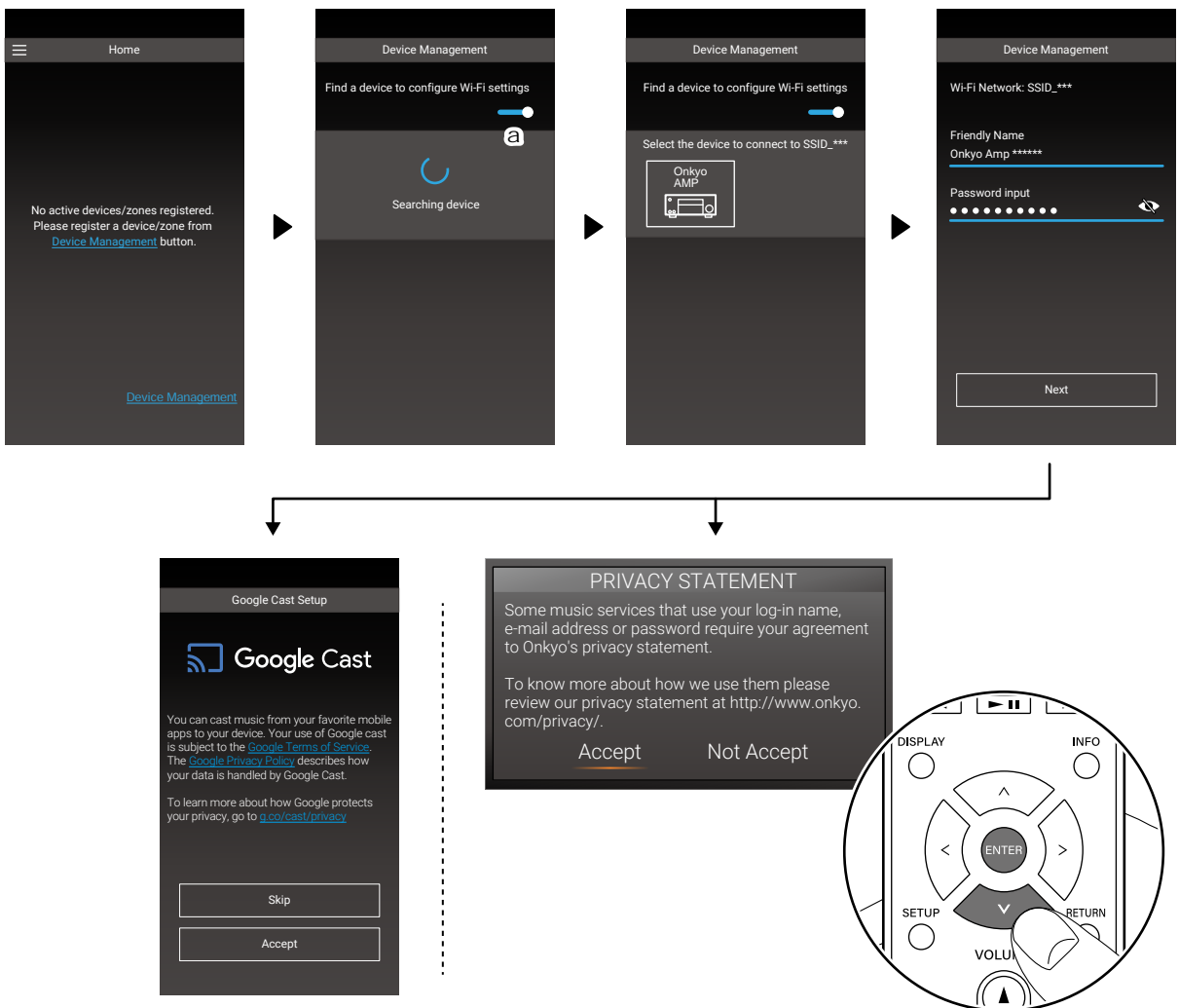


Connecting to Wi-Fi using Onkyo Controller

Preparation

- First, search for the main unit using the Bluetooth function. Turn on the Bluetooth function of the mobile device.
- The screen of the app and operation procedure may change depending on the version.

1. Turn on the power of the main unit, and wait for approx. 10 seconds until the system starts up completely.
2. Start up Onkyo Controller.
3. Tap "Device Management".
4. Tap the search icon (a) to start searching.
When the main unit is found, tap and select it.
5. Enter the password of the wireless LAN router, and tap "Next".
6. When the connection to the wireless LAN router is successful, the privacy policy is displayed on the main unit screen. **To use all services, agree to the privacy policy. Press the cursor button of the remote controller repeatedly, select "Accept", and press the ENTER button to confirm.**
"Google cast Setup" menu is displayed on the screen of the app. Tap "Skip" to finish the setting, or tap "Accept" to configure the setting. Google cast can be set later. (→p41)



Basic Operations

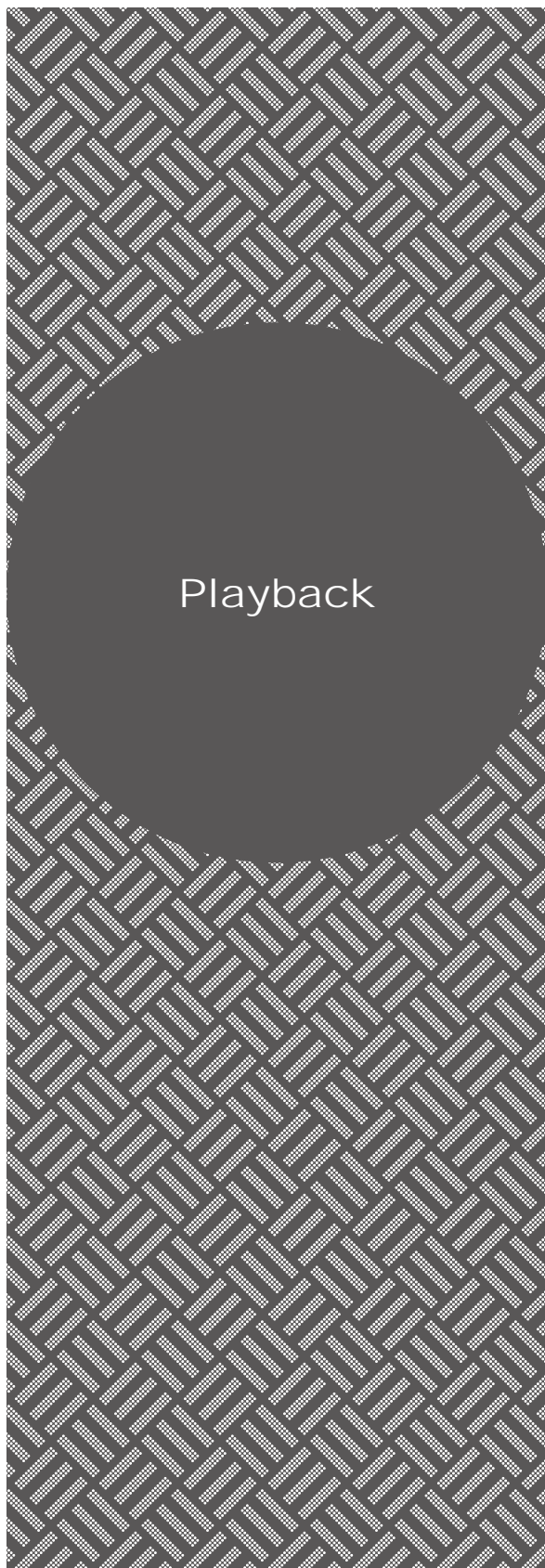
Basic Operations	28
Bluetooth® Playback	30
Adjusting the Bass, Treble and Balance	31
Vocal Adjustment	32
Using the DIRECT mode	33
Using Headphones	34

Advanced Operations

Switching the Display Content	35
Dimmer	37
Using MY INPUT	38
Playback of Music Files Stored in a USB Storage Device	39

Network Services

Playing Music Streaming on This Unit	40
Google Cast	41
Spotify	42
AirPlay®	43
Music Server	44

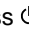


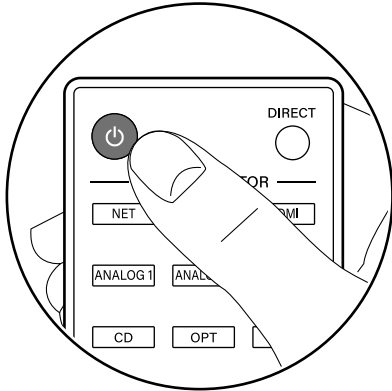
Playback




Basic Operations

Turning the power on

1. Press  ON/STANDBY on the remote controller to turn on the power of the unit.

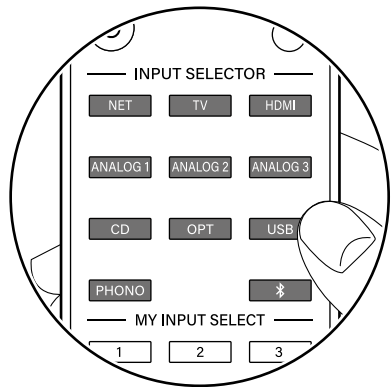


You can also turn on the power of the unit with the following operations:

- Pressing  ON/STANDBY on the main unit.
- Using the Onkyo Controller (→ [p24](#))
- If no operation is performed for 20 minutes without audio, the Auto Standby function is activated, and the unit enters the standby state. (→ [p50](#))

Selecting a source to play

1. Press an input selector button on the remote controller to select a source.



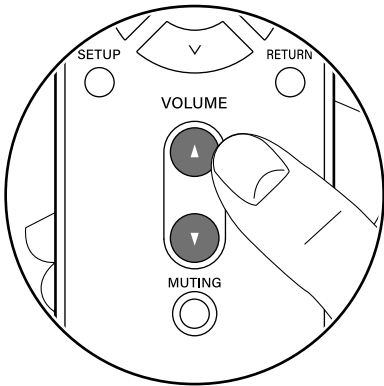
You can also select a source to play with the following operations:

- Turn the selector knob of the main unit.
Turning the selector knob switches the input source in the following order.
ANALOG 1 → ANALOG 1 → ANALOG 3 → OPTICAL → USB → PHONO → NET → TV → HDMI(Y-50 Only) → COAX(CD) → BLUETOOTH → ANALOG 1 •••
- Using the Onkyo Controller (→ [p24](#))
- Even if you use the DISPLAY button (→ [p35](#)) to switch to another screen, performing this operation displays this screen for five seconds.



Adjusting the volume

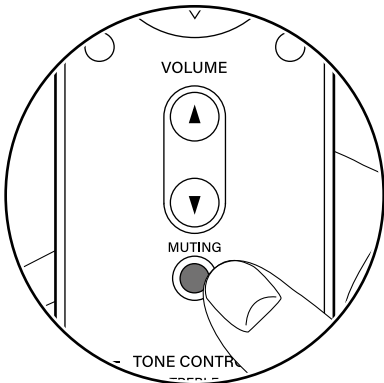
1. Press the VOLUME buttons on the remote controller to adjust the volume.



You can also adjust the volume with the following operations:

- Turn the volume dial on the main unit.
- Using the Onkyo Controller (→ [p24](#))

2. To temporarily mute the sound, press the MUTING button.
Press the button again to cancel muting.



You can also adjust the volume with the following operations:

- Press the volume dial on the main unit.
- Using the Onkyo Controller (→ [p24](#))

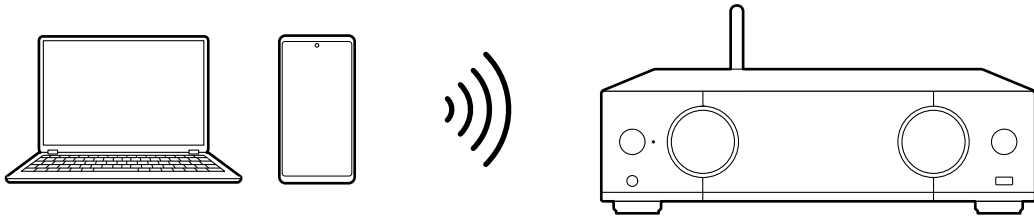
- Even if you use the DISPLAY button (→ [p35](#)) to switch to another screen, performing this operation displays this screen for five seconds.



Bluetooth® Playback

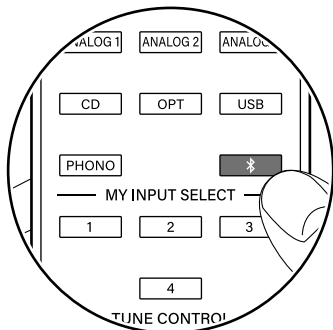
You can wirelessly play music on a smartphone or other Bluetooth wireless technology enabled device through the speakers connected to this unit.

Playing audio from Bluetooth wireless technology enabled devices with this unit



■ Pairing

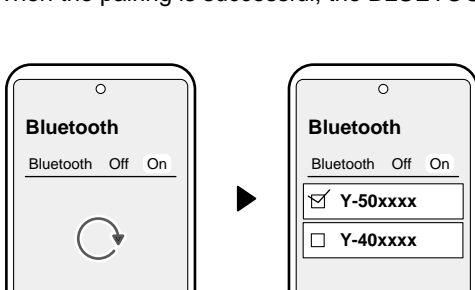
1. Press the BLUETOOTH button to switch to the BLUETOOTH selector.



2. Turn on the BLUETOOTH function of the BLUETOOTH-enabled device.

3. Operate the BLUETOOTH-enabled device, and select this unit.

When the pairing is successful, the BLUETOOTH icon status changes from blinking to lighting.



Note

To stop blinking of the Bluetooth icon, it is necessary to connect the BLUETOOTH-enabled device, or set "Bluetooth" - "Bluetooth Receiver" (→[p45](#)) to off on the setup menu.



Adjusting the Bass, Treble and Balance

You can adjust the bass, treble and left/right output balance respectively.

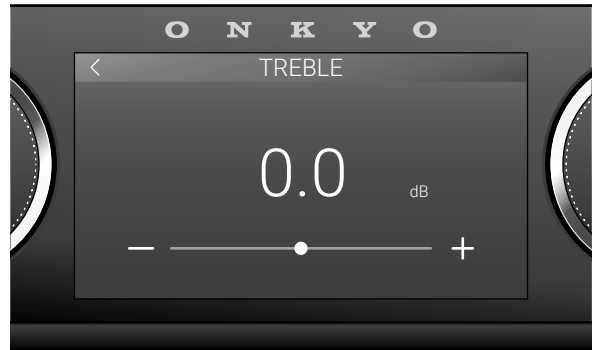
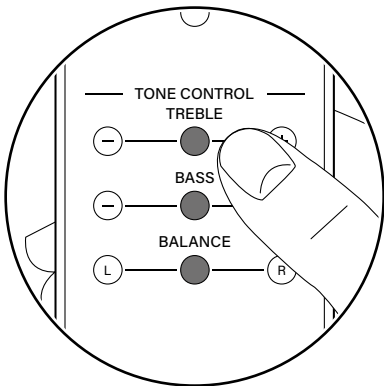
TREBLE: Enhance or moderate the high pitched range.

BASS: Enhance or moderate the low pitched range.

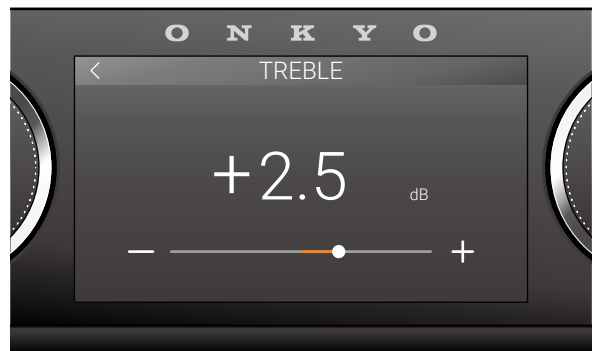
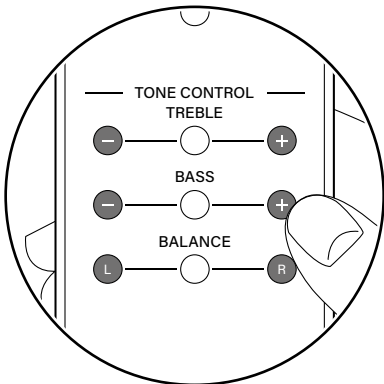
BALANCE: Adjust the balance of the sounds output from the left and right speakers.

- Turning on the DIRECT mode (→ [p33](#)) disables these adjustments. Even if these settings are selected, the sound does not change. Turning off the DIRECT mode enables the displayed setting.
- Turning on/off the DIRECT mode during playback of music allows you to check the difference between before and after adjustment.

1. Press the TONE CONTROL button ("TREBLE," "BASS," or 'BALANCE') on the remote control once. The unit enters the adjustment mode, and the current setting value is displayed.



2. Press the "+/-" button or the "L/R" button to adjust the level. Level can be adjusted in 0.5-step increments. TREBLE and BASS can be adjusted from +10.0 to -10.0, and BALANCE can be adjusted from R side 10.0 to L side 10.0.



You can also change the TREBLE/BASS/BALANCE settings with the following operation:

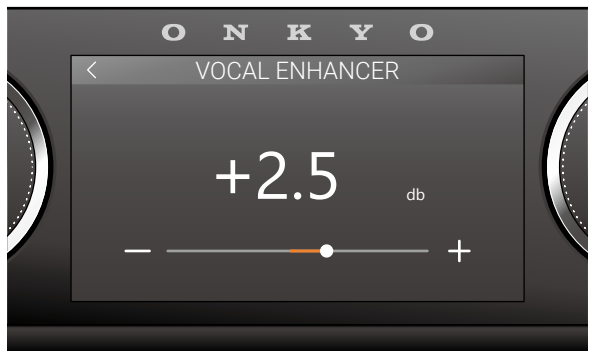
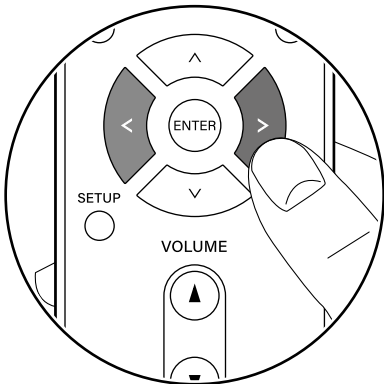
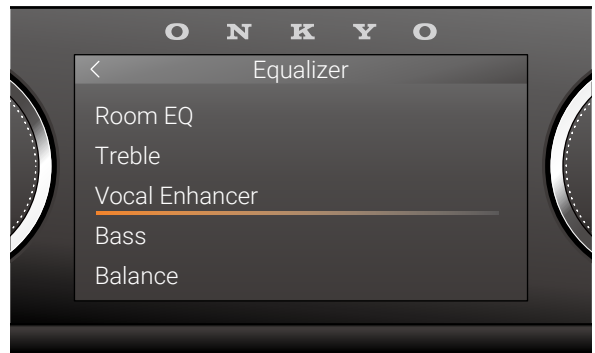
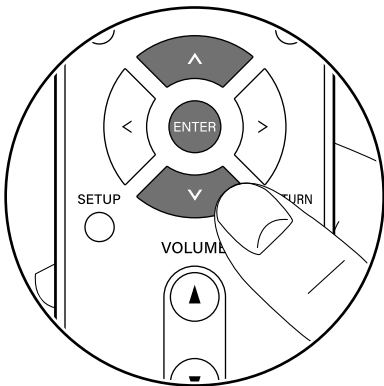
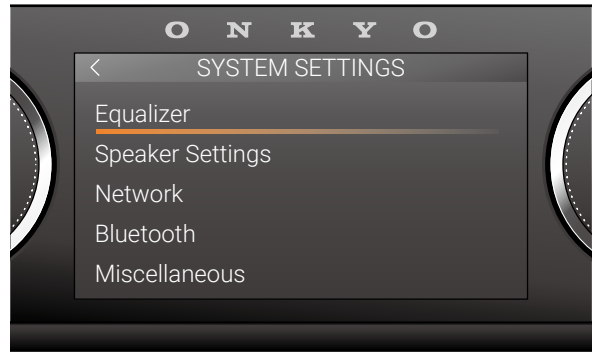
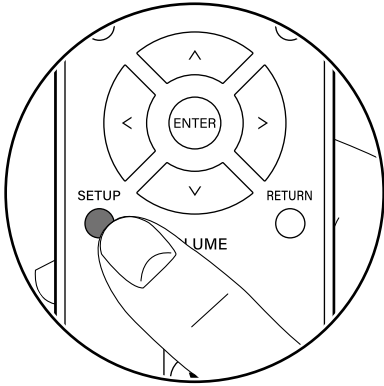
- Using the "Equalizer" function on the setup menu (→ [p45](#))
- Using the Onkyo Controller (→ [p24](#))



Vocal Adjustment

A vocal strength can be adjusted.

1. Press the "SETUP" button on the remote controller.
2. Select "Equalizer" - "Vocal Enhancer" from the setup menu, and adjust the vocal strength.
 - Select a value between "-6.0 dB" and "+6.0 dB" (in 0.5 dB increments).
3. Press the "RETURN" button repeatedly, and finish the setting.

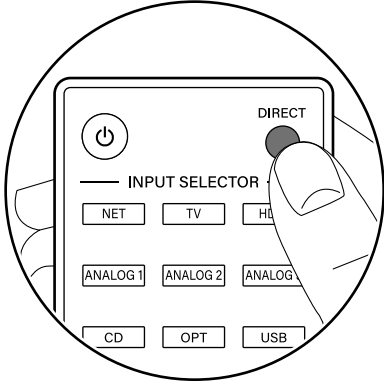


Using the DIRECT mode

Turning on the DIRECT mode disables all sound quality adjustment functions including, bass, treble, balance, VOCAL (→ [p46](#)), and Room EQ (Y-50 Only) (→ [p46](#)).

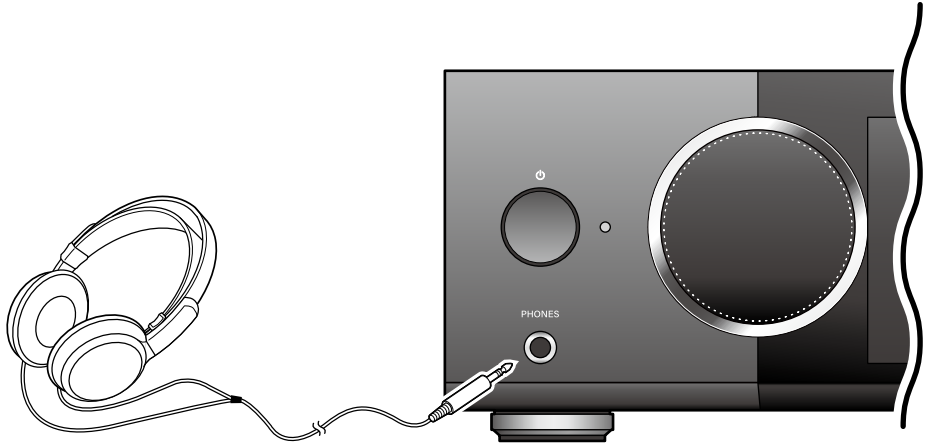
- Turning off the DIRECT mode returns to the original setting.

1. To turn on the DIRECT mode, press the "DIRECT" button on the remote controller.
To cancel the mode, press the button again.



Using Headphones

This unit supports headphones with the standard plug (6.3 mm).

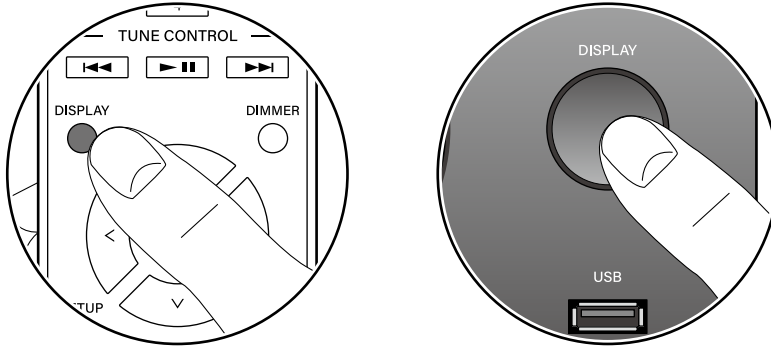


- While headphones are connected, no sound is output from the speakers and PRE OUT jacks.
- When headphones are used, the right and left balance adjustment is disabled.



Switching the Display Content

Pressing the "DISPLAY" button on the remote controller or the main unit switches the display content.



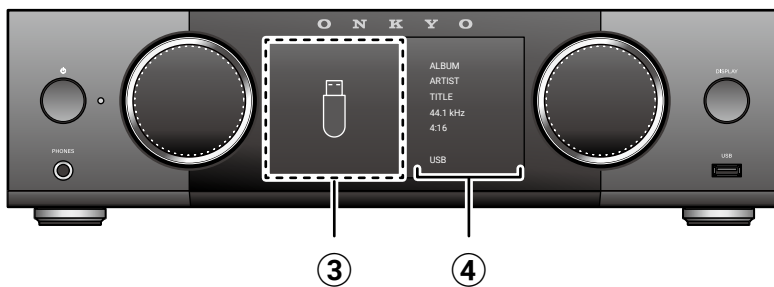
DISPLAY 1

Standard screen. When operations such as volume adjustment and input source switching are performed, this screen is displayed for five seconds even if other screens are displayed.



- ① Input source
- ② Volume value

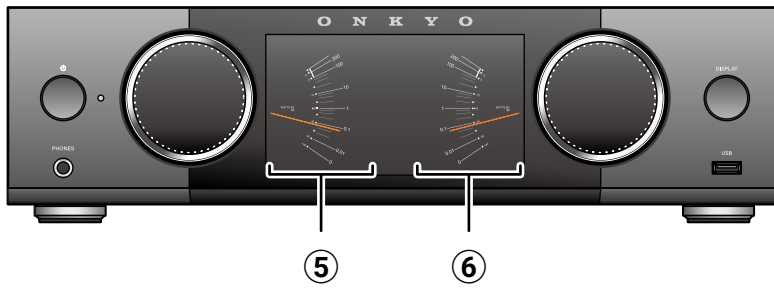
DISPLAY 2



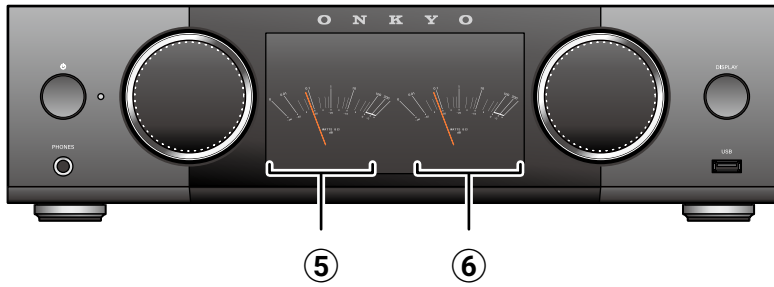
- ③ Image space:
An illustration of input source or an image of music file is displayed.
- ④ Information space:
When the input source is Network or USB, various information of music being played is displayed.



DISPLAY 3



DISPLAY 4



⑤ VU Meter (left)

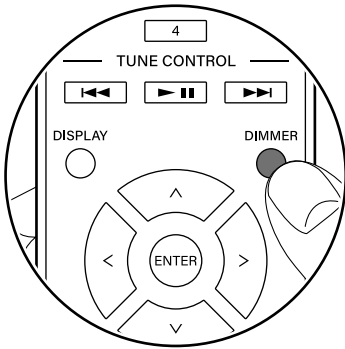
⑥ VU Meter (Right)

- The deflection width of the VU meter changes depending on the speaker output.
- When mute is turned on, the needle stops at 0 (-∞) position.



Dimmer

Switches the brightness of the display with three levels.



DIMMER: Off

Y-50



Y-40



DIMMER: 1

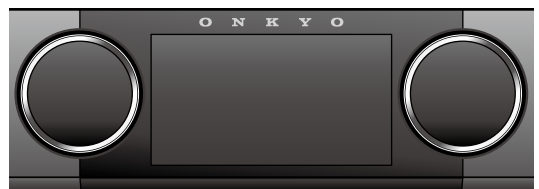
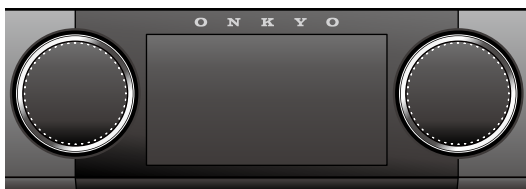
The LEDs of the selector knob and volume dial turn off.



DIMMER: 2

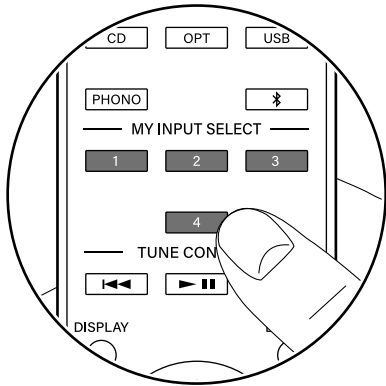


DIMMER: 3



Using MY INPUT

Up to four settings such as the current input source, sound adjustment, and Network Service (for NET selector) can be registered to MY INPUT, and the registered settings can be invoked easily.



Register MY INPUT on the remote controller.

1. Press and hold the MY INPUT button for five seconds.

When the registration is successful, "add the MY Input successfully" is displayed.

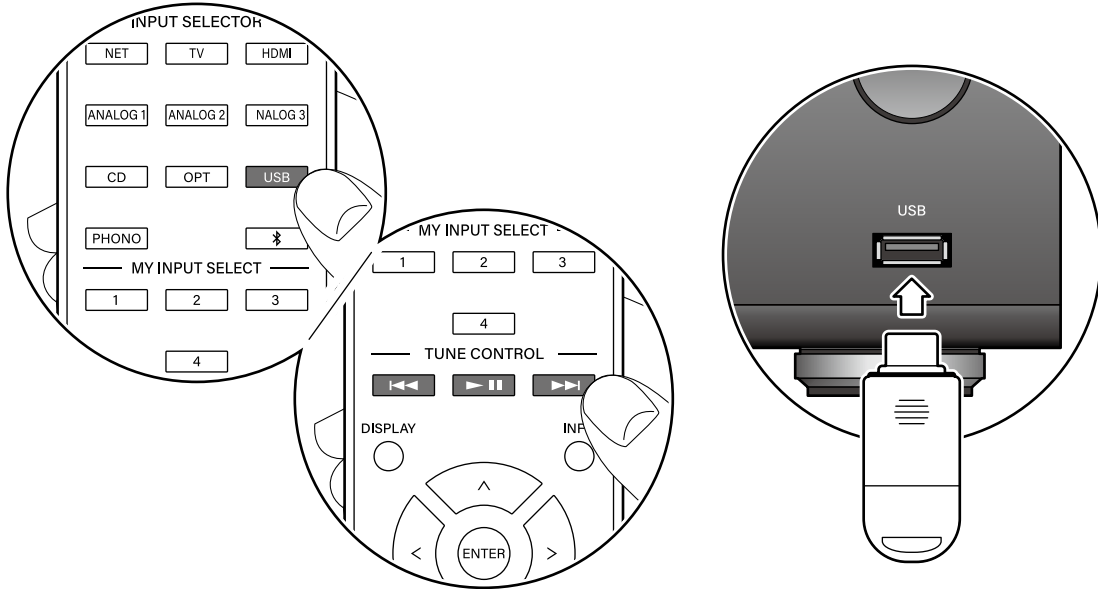
- Content is overwritten if there was any already registered.

Regarding the settings that can be registered

- Master Volume
- Input Selector
- Network Service (if the input selector is "Network")
 - Spotify Connect can be played from tracks or Playlist.
- Treble
- Vocal Enhancer
- Bass
- Balance



Playback of Music Files Stored in a USB Storage Device



1. Press the USB button on the remote controller.
2. Insert a USB storage device into the USB terminal.
Music begins to be played automatically.
3. Press the "TUNE CONTROL" button to play, stop, or skip.
 - Music is played in the order in which music files are saved in the USB storage device.
The order may be changed if the file names are changed or the files are copied or deleted in the USB storage device.
 - Supported Audio Formats (→ [p54](#))



Playing Music Streaming on This Unit

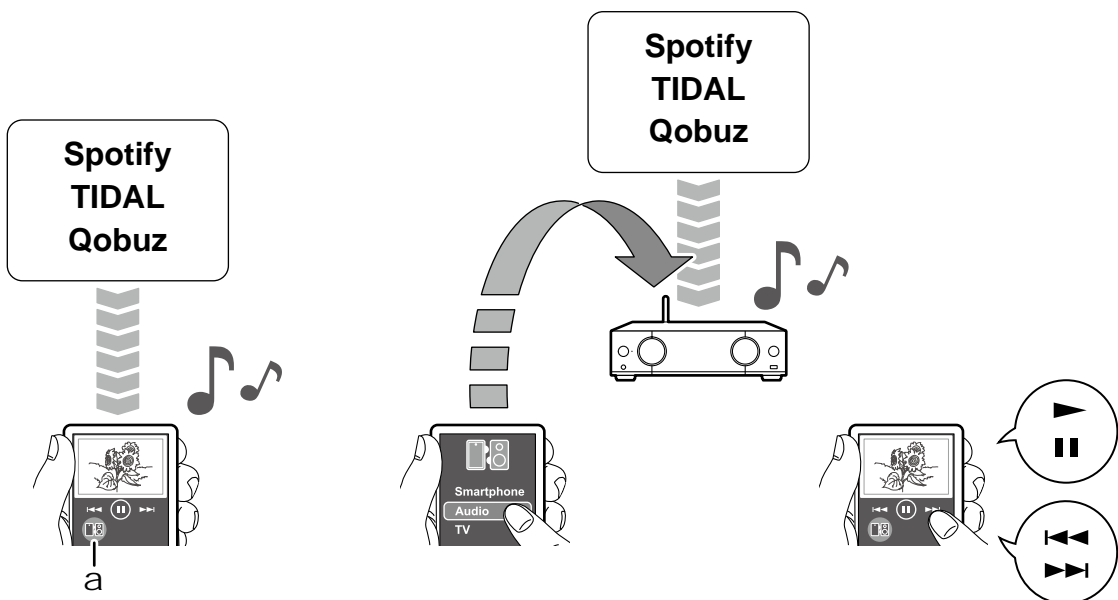


- Available services differ depending on your residential area.

As an example, this section introduces the operation using a smartphone.

1. Install a music streaming app on the smartphone provided by each service company.
 - For details of the settings and user registration, contact each service company.
2. Operate the app to play the music.
3. Tap the playback device switching icon (a)* on the app screen, and select this unit as a playback destination. Thus, the playback of the content is transferred to this unit, and the unit performs streaming playback of the music.
 - *The illustration of the switching icon differs depending on the app.
4. Operate the app to play, stop, or select the music.

Image figure



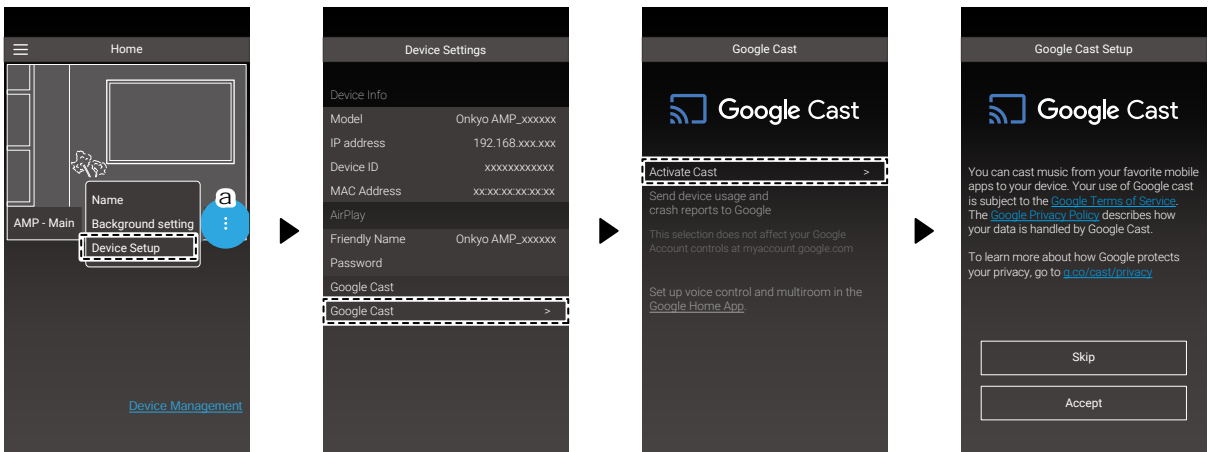
Google Cast




Music can be streamed to this device from your favorite apps of the smartphone, tablet, or laptop computer.

Setting

1. Start up ONKYO Controller (→ [p24](#)).
2. Tap the menu icon (a).
3. Select "Device Setup" - "Google Cast" - "Activate Cast" from the menu.
4. Tap "Accept". Tapping this means that you have agreed with terms and conditions and privacy policy of Google.
5. Following the on-screen instructions, complete the setting.



Using Google Cast

1. Start up a music playback app supporting Google Cast.
2. Tap the playback device switching icon (e.g. ) on the app screen.
3. Selecting this unit using the switching icon plays the music on this unit.



Spotify



Use your phone, tablet or computer as a remote control for Spotify.
Go to spotify.com/connect to learn how.

The Spotify software is subject to third party licenses found here:
<https://www.spotify.com/connect/third-party-licenses>




AirPlay®




By connecting this unit to the same network as that of iOS devices such as iPhone®, iPod touch® and iPad®, you can enjoy music files on iOS devices wirelessly.

- Depending on the iOS version, operation screens or operation procedures on the iOS device may be different. For details, refer to the operating instructions for the iOS device.

Basic Operations

1. Connect the iOS device to the access point where this unit is connected via network.
2. Tap the AirPlay icon  in the play screen of the music app on an iOS device that supports AirPlay and select this unit from the list of devices displayed.
3. Play the music file on the iOS device.

Note

- AirPlay and AirPlay2 allow for playback of music files stored on a PC with iTunes (Ver. 12.8 or later) installed. Click the AirPlay icon  of iTunes, select this unit and an AirPlay or AirPlay2-enabled device to play from the displayed devices, and play a music file.



Music Server

Music Server

This unit supports streaming playback of music files stored on a PC or NAS on the same network. This section introduces the settings and operations of Windows Media Player Legacy. When using other apps, contact respective providers.

Setting Windows Media Player Legacy

1. Turn on the power of the PC, and open Windows Media Player Legacy.
2. Select "Turn on media streaming" from the "Stream" menu, and open the dialog.
 - If the media streaming is already enabled, select "More streaming options" from the "Stream" menu. Then, a playback device list within the network is displayed. Confirm that this unit is set to "Allowed" and then move to step 5.
3. Click "Turn on media streaming" and display the playback device list within the network.
4. Select this unit from "Media streaming options" and confirm that this unit is set to "Allowed".
5. Click "OK" and close the dialog.
6. Open the "Stream" menu and confirm that "Allow remote control of my Player" is selected.
 - Depending on the version of Windows Media® Player, the names of items to select may differ from the above description.

Playing Back

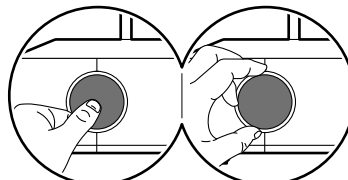
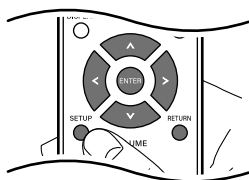
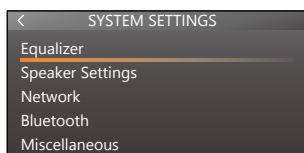
1. Open Windows Media Player Legacy.
2. Right-click the music file to be played, and open the menu bar.
3. Select "Cast to Device" from the menu bar, and select this unit from it. Selecting this unit displays the "Cast to Device" window.
4. Register music on the "Cast to Device" window by dragging and dropping, or performing steps 2 and 3 repeatedly.
5. Press the play button on the "Cast to Device" window. Then this unit accesses the registered music file, and plays the music.
 - Using the volume bar on the "Cast to Device" window adjusts the volume of this unit.
 - The volume on the "Cast to Device" window may not match the value on this unit.
 - The volume changed on this unit is not reflected on the "Cast to Device" window.
 - "Cast to Device" does not support gapless playback.
 - When files recorded with VBR (variable bit rate) are played, the playback time may not be displayed correctly.



Setup Menu

Configure the settings while checking the LED screen of the main unit.

Pressing the SETUP button of the remote controller or the selector knob of the main unit displays the setup menu. To return to the previous screen, press the RETURN button on the remote controller. Or select "<" on the upper left of the screen, and press the ENTER button or the selector knob of the main unit, then you can return to the previous screen.



Menu list

Equalizer	Room EQ ON/OFF(*)	Sets Room EQ to On/Off.	p46
	Treble	Adjusts a high-tone range.	p46
	Vocal Enhancer	Adjusts a vocal strength.	p46
	Bass	Adjusts a low-tone range.	p46
	Balance	Adjusts volume balance between right and left.	p46
Speaker Settings(*)	Room EQ	Measurements are performed to calibrate the sound field to suit the room's environment.	p47
	Subwoofer use or not use	Set whether a powered subwoofer is connected or not.	p47
	Crossover	Sets a crossover frequency.	p47
	Speaker Level	Adjusts the volume of speakers and subwoofer.	p47
	Double Bass	Sets Double Bass to On/Off.	p47
Network	Network Wizard	Configures network settings.	p48
	Network Information	Displays network information.	p48
	Network Standby	Enables/Disables the network function in standby mode.	p48
	Privacy Statement	Displays the privacy policy.	p48
Bluetooth	Bluetooth Receiver	Configures the Bluetooth setting.	p49
Miscellaneous	Language	Configures the language setting.	p50
	Firmware Update	Displays the firmware information and updates the firmware.	p50
	Auto Standby	Sets Auto Standby to On/Off.	p50
	HDMI CEC	Sets HDMI CEC (HDMI interlocking function) to On/Off.	p50
	IR Lock	Disables the remote controller operation.	p50
	Factory Reset	Restores all settings to the default states at the time of purchase.	p50
	Onkyo Controller	Displays the app information.	p50
	Manual	Notifies the download destination of the User's Manual.	p50

(*)Y-50 Only



Equalizer

Room EQ ON/OFF (Y-50 Only)

Sets "Room EQ" (→ [p47](#)) to On/Off.

For details, see [here](#).

Treble (Default Value: 0.0 dB)

It enhances or reduces high-tone range.

Select a value between "-10.0 dB" and "+10.0 dB" (in 0.5 dB increments).

Vocal Enhancer (Default Value: 0.0 dB)

It enhances or reduces vocals.

Select a value between "-6.0 dB" and "+6.0 dB" (in 0.5 dB increments).

Bass(Default Value: 0.0 dB)

It enhances or reduces low-tone range.

Select a value between "-10.0 dB" and "+10.0 dB" (in 0.5 dB increments).

Balance(Default Value: 0.0)

Adjusts the output balance between the right speaker and the left speaker.

Select a value between "L 10.0" and "R 10.0" (in 0.5 increments).



Speaker Setting (Y-50 Only)

Room EQ

Measures the sound field correction to suit the room environment.

For details, see [here](#).

Subwoofer use or not use (Default Value: No)

Set whether a powered subwoofer is connected or not.

Crossover (Default Value: 80 Hz)

Sets a crossover frequency.

Select a value between "20 Hz" and "200 Hz" (in 5 Hz increments). If the same value does not exist, select a value one level higher.

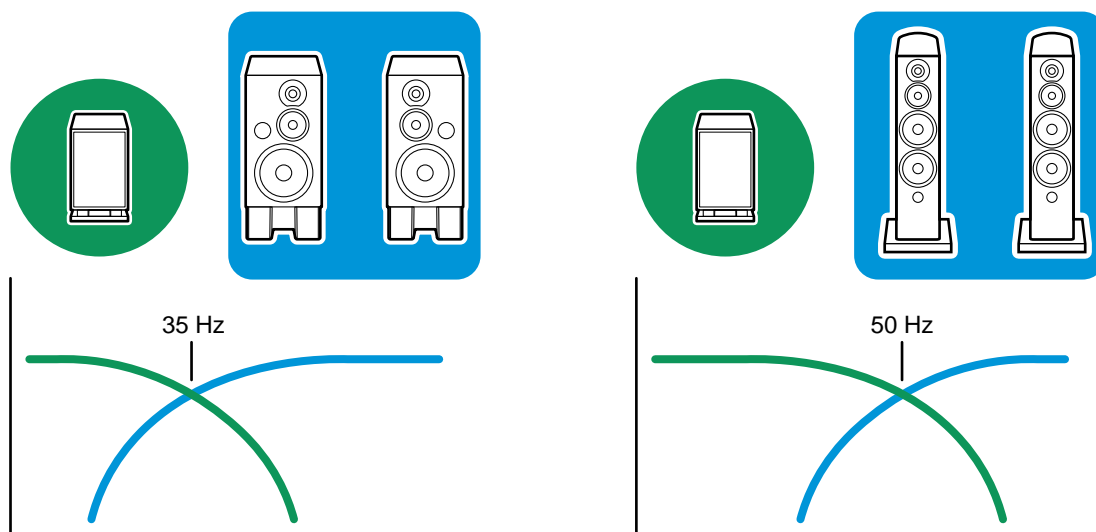
- This setting cannot be selected when "Subwoofer use or not use" is set to "No".

< What is a crossover frequency setting? >

This setting determines the boundary of frequency of the sound output from the speakers and subwoofer.

Normally, when music is played, all frequencies from bass to treble are played from speakers.

However, speakers have frequency characteristics. For example, speakers supporting 35 Hz or above can also play audio of 35 Hz or less, but the sound quality is not stable. By connecting a subwoofer to this unit and setting the crossover to 35 Hz, the audio of 35 Hz or less is sent to the subwoofer to supplement bass that the speakers could not stably reproduce.



Speaker Level (Default Value: 0.0 dB)

Adjust the volume level of each speaker.

Select a value between "-10.0 dB" and "+10.0 dB" ("-10.0 dB" and "+8.5 dB" for Subwoofer) (in 0.5 dB increments).

Double Bass (Default Value: Off)

A bass sound is output from both speakers and subwoofer.

- This setting can be selected only when "Subwoofer use or not use" is set to "Yes" and "Crossover" is set to "20 Hz".



Network

❑ Network wizard

Configures the wireless LAN setting.

SSID: Network connection is made by selecting the access point of the connection destination.

Use iOS Device: Network connection is made using iOS devices such as iPhone.

❑ Network information

Network status and product information of this unit can be checked.

SSID:

IP Address:

Device name:

Wi-Fi MAC address:

Bluetooth MAC address:

ETH MAC address

❑ Network Standby (Default Value: On)

When this function is set to "On", the network function works even in standby state, and you can turn on the power of the unit via network using an application such as ONKYO Controller that can control this unit.

- Setting this function to "On" increases the power consumption in standby state.

❑ PRIVACY STATEMENT

Displays the privacy statement.



Bluetooth

Bluetooth Receiver

Bluetooth Receiver (Default Value: On)

Sets the Bluetooth function to On/Off. When this function is turned off, the Bluetooth icon (→[p9](#)) turns dark.

Bluetooth Disconnect

Releases the connected Bluetooth device.

Device

Displays the name of the connected Bluetooth device.

Status

Bluetooth: Displays the device connection status.

CONNECT: Connected state.

DISCONNECT: Disconnected state.

PAIRING: Pairing standby state.



Miscellaneous

❑ Language

Selects a language displayed on the screen of the main unit from the following.

English, Japanese, French, German, Spanish, Dutch, Traditional Chinese, Simplified Chinese, Swedish, and Italian

❑ Firmware Update

Firmware update: The availability of update can be checked. When there is firmware to be updated, "Available" is displayed. When the firmware is in the latest version, "Latest" is displayed.

Firmware version: The current firmware version is displayed.

Update via Network: The firmware is updated via network. Press the "ENTER" button for execution.

Update via USB: The firmware is updated via USB. Press the "ENTER" button for execution.

❑ Auto Standby (Default Value: On)

- If no operation is performed for 20 minutes without audio, the unit automatically enters the standby state. If this function is turned off, the power will remain on, resulting in increased power consumption.

❑ HDMI CEC (Default Value: Off)

Setting this function to "On" allows for turning on/off of the power in conjunction with the TV.

- Playback and volume adjustment of TV using ARC function operate in conjunction even if this setting is turned off.

❑ IR Lock (Default Value: Off)

Turning on IR Lock disables the operation on the remote controller.

If there are more than one ONKYO products in the same room and remote controllers interfere with each other, turn on IR Lock and perform operation on the main unit or with the app.

❑ Factory Reset

All the settings are restored to factory defaults.

❑ Onkyo Controller

Introduces the app that can be used with this unit.

❑ Manual

<https://support.onkyousa.com/hc/en-us>



Troubleshooting

❑ When the unit is operating erratically

Turning off and on the power may solve the problem. Remove the power cord from the outlet, wait for at least 10 seconds, and turn on the power again. Then check how it works.

Also, updating the firmware may solve the problem. When this unit is connected to the network, the availability of update can be checked from the setup menu. (→[p50](#))

❑ Troubleshooting: The power is not turned on.

If the power cord is not securely inserted to the slot on the back of the main unit, the power may not be turned on. Insert the cord again by slightly applying a force.

If the problem persists even after the power cord is reconnected, the unit may have failed. Contact our service desk.

❑ Troubleshooting: No sound is delivered from the right or left speaker.

When an external device is connected to this unit using an analog cable, a contact failure or disconnection of the cable may have occurred. Reconnect the cable or use another cable and check the condition.

When an external device is connected to this unit using a digital cable, check the audio output setting of the external device.

If there is no problem with the cable or the setting, a malfunction may have occurred in this unit.

❑ Troubleshooting: The unit cannot be paired with a BLUETOOTH-enabled device.

Open the setting screen of the BLUETOOTH-enabled device (such as a smartphone and PC), and delete the information of this unit (device name) that has been registered. Then perform the pairing operation again.

*For details, refer to the instruction manual of the BLUETOOTH-enabled device.



General Specifications

■ Amplifier Section

<Y-50>

Power Output

(North America models)

- With 8 ohm loads, both channels driven, from 20 Hz - 20 kHz; rated 125 watts per channel minimum RMS power, with no more than 0.08 % total harmonic distortion from 250 milliwatts to rated output. (FTC)
- 2 ch × 250 W at 4 ohms, 1 kHz, 2 ch driven of 0.7% THD

(European, Oceania and Asian models)

- 2 ch × 125 W at 8 ohms, 20 Hz - 20 kHz, 2 ch driven of 0.08% THD
- 2 ch × 250 W at 4 ohms, 1 kHz, 2 ch driven of 0.7% THD

THD+N (Total Harmonic Distortion + Noise)

- 0.08% (20 Hz - 20 kHz, half power)

Input Sensitivity and Impedance

- 200 mV/20 k Ω (LINE(RCA))
- 4 mV, 47 k Ω /0.4 mV, 110 Ω (PHONO MM/MC)

Rated RCA Output Level and Impedance

- 1 V/470 Ω (PRE OUT (L/R, Subwoofer))

Phono Maximum Input Signal Voltage

- 50 mV (MM 1 kHz 0.5%)
- 4 mV (MC 1 kHz 0.5%)

Frequency Response

- 20 Hz - 30 kHz/+1 dB, -3 dB (Direct)

Tone Control Characteristics

- ± 10 dB, 100 Hz (Bass), ± 10 dB, 10 kHz (Treble)

Signal to Noise Ratio

- 100 dB (IHF-A, LINE 2V IN, SP OUT)
- 106 dB (IHF-A, Digital source with 0dB input, SP OUT)
- 76 dB (IHF-A, PHONO MM 5mV IN, SP OUT)
- 60 dB (IHF-A, PHONO MC 0.5mV IN, SP OUT)

Supported impedance of Speakers

- 4 Ω - 16 Ω

Headphone Rated Output

- 80 mW + 80 mW (32 Ω , 1 kHz, 10% THD)

Supported impedance of Headphones

- 13 Ω - 600 Ω

Headphones Frequency Response

- 20 Hz - 40 kHz

Input terminals

Analog

- 4 (Including PHONO×1)

Digital

- COAXIAL×1, OPTICAL×1

- *Supported sampling rates for PCM signals (stereo, mono) from a digital input are 32 kHz, 44.1 kHz, 48 kHz, 88.2 kHz, 96 kHz/16 bit, 20 bit, and 24 bit.
- HDMI IN ×1

Output terminal

Analog

- PRE OUT L/R×1
- SUBWOOFER PRE OUT ×1
- PHONES jack

Digital

- HDMI (ARC)×1

Other terminals

- Speaker terminal
- USB port
- GND terminal

<Y-40>

Power Output

(North America models)

- With 8 ohm loads, both channels driven, from 20 Hz - 20 kHz; rated 75 watts per channel minimum RMS power, with no more than 0.08 % total harmonic distortion from 250 milliwatts to rated output. (FTC)
- 2 ch × 150 W at 4 ohms, 1 kHz, 2 ch driven of 0.7% THD

(European, Oceania and Asian models)

- 2 ch × 75 W at 8 ohms, 20 Hz - 20 kHz, 2 ch driven of 0.08% THD
- 2 ch × 150 W at 4 ohms, 1 kHz, 2 ch driven of 0.7% THD

THD+N (Total Harmonic Distortion + Noise)

- 0.08% (20 Hz - 20 kHz, half power)

Input Sensitivity and Impedance

- 200 mV/20 k Ω (LINE(RCA))
- 4 mV, 47 k Ω

Rated RCA Output Level and Impedance

- 1 V/470 Ω (PRE OUT L/R)

Phono Maximum Input Signal Voltage

- 50 mV (MM 1 kHz 0.5%)

Frequency Response

- 20 Hz - 30 kHz/+1 dB, -3 dB (Direct)

Tone Control Characteristics

- ± 10 dB, 100 Hz (Bass), ± 10 dB, 10 kHz (Treble)

Signal to Noise Ratio

- 100 dB (IHF-A, LINE 2V IN, SP OUT)
- 106 dB (IHF-A, Digital source with 0dB input, SP OUT)
- 76 dB (IHF-A, PHONO MM 5mV IN, SP OUT)

Supported impedance of Speakers

- 4 Ω - 16 Ω

Headphone Rated Output

- 80 mW + 80 mW (32 Ω , 1 kHz, 10% THD)

Supported impedance of Headphones

- 13 Ω - 600 Ω

Headphones Frequency Response

- 20 Hz - 40 kHz



Input terminals

Analog

- 4 (Including PHONO×1)

Digital

- COAXIAL×1, OPTICAL×1

*Supported sampling rates for PCM signals (stereo, mono) from a digital input are 32 kHz, 44.1 kHz, 48 kHz, 88.2 kHz, 96 kHz/16 bit, 20 bit, and 24 bit.

Output terminal

Analog

- PRE OUT L/R×1
- PHONES jack

Digital

- HDMI (ARC)×1

Other terminals

- Speaker terminal
- USB port
- GND terminal

■ General

<Y-50>

- Power Supply
AC 100-240 V, 50/60 Hz
- Power Consumption
120 W (North America model)
115 W (Europe models)
115 W (Asia and Oceania models)
115 W (Japan model)
- Network Standby (wired)
1.8 W
- Network Standby (wireless)
1.8 W
- HDMI CEC Standby
0.7 W
- Standby mode (ALL ON)
2.2 W
- Dimensions (W × H × D)
350 mm × 99 mm × 337 mm
13-3/4" × 3-7/8" × 13-1/4"
- Weight
4.9 kg (10.8 lbs.)

<Y-40>

- Power Supply
AC 120-240 V, 50/60 Hz
- Power Consumption
65 W
- Network Standby (wired)
1.8 W
- Network Standby (wireless)
1.8 W
- HDMI CEC Standby
0.4 W
- Standby mode (ALL ON)
1.8 W
- Dimensions (W × H × D)
350 mm × 99 mm × 337 mm
13-3/4" × 3-7/8" × 13-1/4"
- Weight
4.4 kg (9.7 lbs.)

■ Network Section

Ethernet LAN

- 1 (10BASE-T/100BASE-TX)

Wireless LAN

- IEEE 802.11 a/b/g/n/ac standard (Wi-Fi® standard) 5 GHz/2.4 GHz band

■ BLUETOOTH Section

Communication system

- BLUETOOTH Specification version 5.1

Frequency band

- 2.4GHz (2.402-2.480GHz)

Modulation method

- FHSS (Frequency Hopping Spread Spectrum)

Compatible BLUETOOTH profiles

- A2DP 1.4, AVCTP 1.4, AVDTP 1.3, AVRCP 1.6.2

Supported Codecs

- SBC, AAC

Transmission range (A2DP)

- 20 Hz - 20 kHz (Sampling frequency 44.1kHz)

Maximum communication range

- Line of sight approx. 15 m(*)

(*)The actual range will vary depending on factors such as obstacles between devices, magnetic fields around a microwave oven, static electricity, cordless phone, reception sensitivity, antenna's performance, operating system, software application, etc.



■ USB Storage Device

Supported File Systems

FAT16, FAT32

Supported Audio Formats

MP3 (.mp3)

- MPEG-1/MPEG-2 Audio Layer-3/44.1 kHz, 48 kHz/
Between 8 kbps and 320 kbps, and VBR/2 ch

WMA (.wma)

- 44.1 kHz, 48 kHz/Between 5 kbps and 320 kbps, and
VBR/2 ch

WAV (.wav)

WAV files contain uncompressed PCM digital audio.

- 44.1 kHz, 48 kHz, 88.2 kHz, 96 kHz, 176.4 kHz, 192
kHz/8 bit, 16 bit, 24 bit/2 ch

AIFF (.aiff/.aif)

AIFF files contain uncompressed PCM digital audio.

- 44.1 kHz, 48 kHz, 88.2 kHz, 96 kHz, 176.4 kHz, 192
kHz/8 bit, 16 bit, 24 bit/2 ch

AAC (.aac/.m4a/.mp4/.3gp/.3g2)

- MPEG-2/MPEG-4 Audio/44.1 kHz, 48 kHz, 88.2 kHz,
96 kHz/Between 8 kbps and 320 kbps, and VBR/2 ch

FLAC (.flac)

- 44.1 kHz, 48 kHz, 88.2 kHz, 96 kHz, 176.4 kHz, 192
kHz/8 bit, 16 bit, 24 bit/2 ch

Apple Lossless (.m4a/.mp4)

- 44.1 kHz, 48 kHz, 88.2 kHz, 96 kHz, 176.4 kHz, 192
kHz/16 bit, 24 bit/2 ch

■ Music Server

Supported Audio Formats

MP3 (.mp3)

- MPEG-1/MPEG-2 Audio Layer-3/44.1 kHz, 48 kHz/
Between 8 kbps and 320 kbps, and VBR/2 ch

WMA (.wma)

- 44.1 kHz, 48 kHz/Between 5 kbps and 320 kbps, and
VBR/2 ch

WAV (.wav)

WAV files contain uncompressed PCM digital audio.

- 44.1 kHz, 48 kHz, 88.2 kHz, 96 kHz, 176.4 kHz, 192
kHz/8 bit, 16 bit, 24 bit/2 ch

AIFF (.aiff/.aif)

AIFF files contain uncompressed PCM digital audio.

- 44.1 kHz, 48 kHz, 88.2 kHz, 96 kHz, 176.4 kHz, 192
kHz/8 bit, 16 bit, 24 bit/2 ch

AAC (.aac/.m4a/.mp4/.3gp/.3g2)

- MPEG-2/MPEG-4 Audio/44.1 kHz, 48 kHz, 88.2 kHz,
96 kHz/Between 8 kbps and 320 kbps, and VBR/2 ch

FLAC (.flac)

- 44.1 kHz, 48 kHz, 88.2 kHz, 96 kHz, 176.4 kHz, 192
kHz/8 bit, 16 bit, 24 bit/2 ch

LPCM (Linear PCM)

- 44.1 kHz, 48 kHz/16 bit/2 ch

Apple Lossless (.m4a/.mp4)

- 44.1 kHz, 48 kHz, 88.2 kHz, 96 kHz, 176.4 kHz, 192
kHz/16 bit, 24 bit/2 ch

■ HDMI Section

HDMI IN (Y-50 Only)

- 4K/120p, 8K/60p
- VRR
- QFT
- ALLM
- QMS
- DSC
- HDCP2.3

Maximum radio-frequency power transmitted in the frequency band(s)

- 2400 MHz - 2483.5 MHz (20 dBm (e.i.r.p))
- 5150 MHz - 5350 MHz (23 dBm (e.i.r.p))
- 5470 MHz - 5725 MHz (23 dBm (e.i.r.p))



License and Trademark



HIGH-DEFINITION MULTIMEDIA INTERFACE

The terms HDMI and HDMI High-Definition Multimedia Interface, and the HDMI Logo are trademarks or registered trademarks of HDMI Licensing Administrator, Inc. in the United States and other countries.



The Wi-Fi CERTIFIED™ Logo is a certification mark of Wi-Fi Alliance®.



The BLUETOOTH® word mark and logos are registered trademarks owned by Bluetooth SIG, Inc.



Use your phone, tablet or computer as a remote control for Spotify.

Go to [spotify.com/connect](https://www.spotify.com/connect) to learn how.

The Spotify software is subject to third party licenses found here:

<https://www.spotify.com/connect/third-party-licenses>



Apple, AirPlay®, iPad®, iPad Air®, iPad Pro®, iPhone®, iPod touch® and Lightning are trademarks of Apple Inc., registered in the U.S. and other countries.

Use of the Made for Apple badge means that an accessory has been designed to connect specifically to the Apple product(s) identified in the badge, and has been certified by the developer to meet Apple performance standards. Apple is not responsible for the operation of this device or its compliance with safety and regulatory standards. Please note that the use of this accessory with an Apple product may affect wireless performance.

Apple, AirPlay, iPad, iPad Air, iPad Pro, iPhone, iPod touch and Lightning are trademarks of Apple Inc., registered in the U.S. and other countries.

Use of the Works with Apple badge means that an accessory has been designed to work specifically with the technology identified in the badge and has been certified by the developer to meet Apple performance standards.

Apple, AirPlay, iPad, iPad Air, iPad Pro, iPhone, iPod touch et Lightning sont des marques commerciales d'Apple Inc., enregistrées aux États-Unis et dans d'autres pays.

L'utilisation du badge Made for Apple signifie qu'un accessoire a été conçu pour se connecter spécifiquement aux produits Apple identifiés dans le badge, et qu'il a été certifié par le développeur comme répondant aux normes de performances d'Apple. Apple n'est pas responsable du fonctionnement de cet appareil ou sa conformité aux normes réglementaires et de sécurité. Veuillez noter que l'utilisation de cet accessoire avec un produit Apple peut affecter les performances de la connexion sans fil.

Apple, AirPlay, iPad, iPad Air, iPad Pro, iPhone, iPod touch et Lightning sont des marques commerciales d'Apple Inc., enregistrées aux États-Unis et dans d'autres pays.

L'utilisation du badge Works with Apple signifie qu'un accessoire a été conçu pour fonctionner spécifiquement avec la technologie identifiée dans le badge et qu'il a été certifié par le développeur comme répondant aux normes de performances d'Apple.

App Store is a service mark of Apple Inc., registered in the U.S. and other countries.

IOS is a trademark or registered trademark of Cisco in the U.S. and other countries and is used under license.



Update History

As of now, no information is available. Updated information related to an added or changed function will be notified as needed when released.



O N K Y O

SN 29404257A_EN

© Copyright 2026 Premium Audio Company Technology Center K.K. All rights reserved.

© Copyright 2026 Premium Audio Company Technology Center K.K. Tous droits de reproduction et de traduction réservés.

Privacy Policy, available at <https://onkyo.com/intl/privacy-policy>.

O2601-1