

# **DCDimplex<sup>®</sup>**

## **50cm HV PEDESTAL FAN**

**Model: DCPF50**



## **INSTRUCTION MANUAL**

**PLEASE READ THE INSTRUCTION MANUAL CAREFULLY BEFORE USING THE UNIT**

# TABLE OF CONTENTS

IMPORTANT INFORMATION..... 1

STRUCTURE..... 3

ASSEMBLY & OPERATION..... 4

CLEANING & MAINTENANCE..... 5

TECHNICAL SPECIFICATIONS..... 7

WARRANTY..... 7

# IMPORTANT INFORMATION

## Warnings

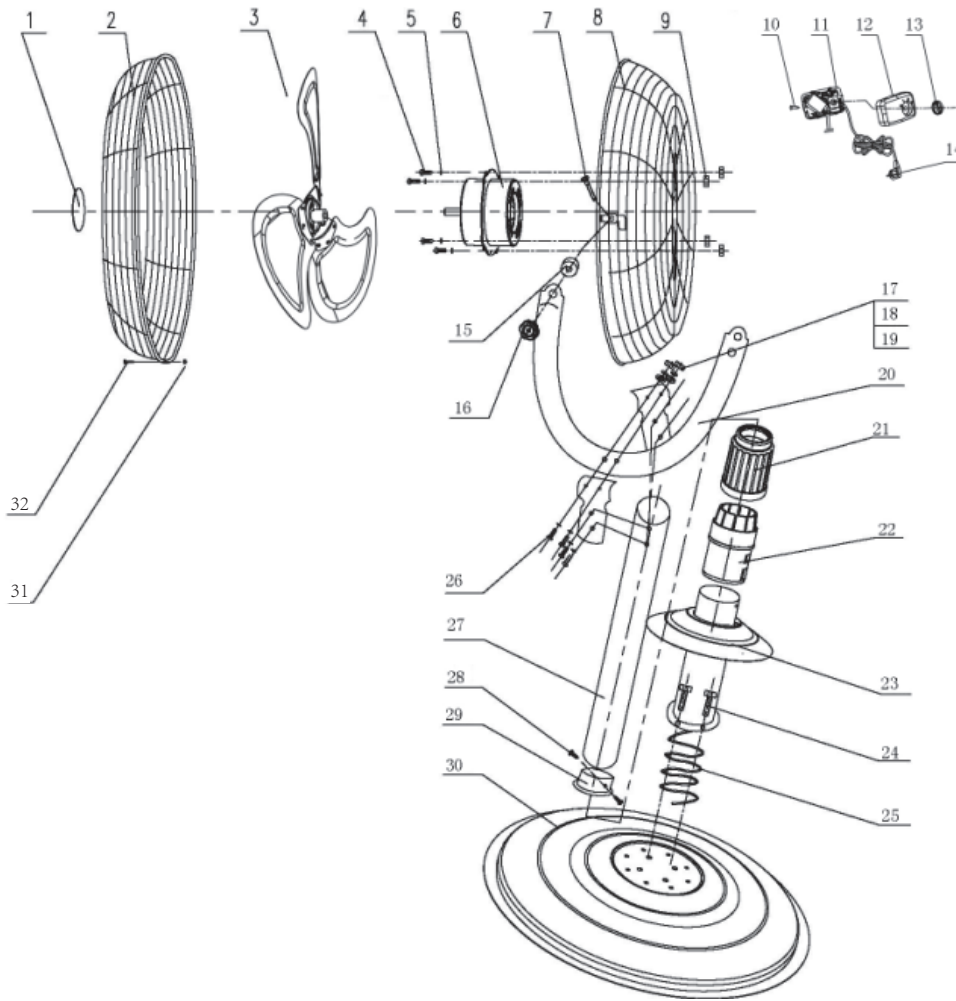
- Never place the unit near any gas appliances, fire or flammable liquids.
- Never hit or shake the unit to prevent damage.
- Never cover or obstruct the air inlet or outlet to prevent overheating.
- Never spray water or place the unit near water to prevent electric shock.
- Only ever have a professional technician, manufacturer or a service agent to replace a damaged power cord.
- Never share the power outlet with other appliances.
- Never connect or disconnect the power plug with wet hands to avoid electric shock.
- Never put rods or objects into the opening of the unit.
- Never use an extension cord with this unit.

## Cautions

- Be sure the unit is placed on a stable surface when operating to avoid overturning.
- The unit must not be used if the guards are not fastened according to instructions.
- This appliance is for indoor use only.
- Do not plug the unit into a power socket before assembly is complete.
- Never insert fingers, pencils, or any other object through the guard when unit is running.
- Power plug must be removed from the power socket before cleaning, servicing, maintenance or moving from one location to another.

- The unit should not be placed in a damp place or where humidity is high (such as a bathroom).
- Electrical connections shall be in accordance with National or Local Codes.
- Keep the unit at least 1 metre away from electric appliances such as TV's and radios, to avoid electromagnetic interference.
- Do not expose the unit under direct sunlight to avoid surface colour fading.
- Do not tilt the unit more than 35 degrees or upside down while transporting.
- Place the unit on a flat surface with less than 5 degree inclination.
- To avoid damaging the surface, do not use chemical solvents (i.e. Benzene, alcohol-grazer) or harsh cleaners when cleaning the unit.
- Do not use your appliance with an extension cord unless it has been checked and tested by a qualified electrician or electrical supplier.
- This appliance is not intended for use by persons (including children) with reduced physical, sensory or mental capabilities, or lack of experience and knowledge, unless they have been given supervision or instruction concerning use of the appliance by a person responsible for their safety.
- Children should be supervised to ensure that they do not play with the appliance.
- Do not leave the fan unattended.
- Do not use the fan near a window. Rain may create an electrical hazard. Do not leave the fan operating adjacent to an area where water has been collected to avoid the potential of electrical hazards.
- Power plug must be removed from the power socket before cleaning, servicing, maintenance or moving from one location to another.

# STRUCTURE



1. Decorating Plate
2. Front Guard
3. Blade
4. Screw
5. Spring Washer
6. Motor
7. Screw
8. Rear Guard
9. Nut
10. Screw
11. Rear Cover
12. Switch Box
13. Knob
14. Power Cord
15. Rubber Washer

16. Knob
17. Nut
18. Spring Washer
19. Washer
20. U Stand
21. Outer Connector
22. Inside Connector
23. Ornamental Cover
24. Screw
25. Spring
26. Fix Screw
27. Inner Connector
28. Screw
29. Rubber Cover
30. Base

31. Nut
32. Screw

# ASSEMBLY & OPERATION

## Assembly of your pedestal fan

1. Locate the pedestal base of the fan (item 17). Insert the outer pillar (item 16) into the pedestal base, then fasten together with the additional part (item 17 & 18) using the screws provided.
2. Undo the thumbscrew at the top of the stand and align the motor unit complete with guards before fastening.
3. Put the motor head onto the pole (item 13) and fix with screws and washers.

## Operation of your pedestal fan

1. Adjust the desired speed by rotating the switch:
  - 0 – Stop
  - 1 – Low
  - 2 – Medium
  - 3 – High
2. Adjust the tilt angle by pushing the grill.

# CLEANING AND MAINTENANCE

## Cleaning

1. Always unplug the fan before cleaning.
2. To clean the blade and grille assembly, remove the safety grille, unscrew the locknut and remove the blade from the unit.
3. Clean the unit with a soft cloth moistened with a mild soap solution. Use dry cloth to wipe the unit after cleaning.
4. Never use strong or volatile chemicals to clean the unit as it will damage the plastic parts.
5. Do not immerse in water for cleaning, never allow water to drip into the motor housing.
6. In the off-season, it is important to keep your unit in a safe, dry location. Please remember to protect the unit from dust or moisture.

## Meaning of crossed-out wheeled dustbin


1. Do not dispose of electrical appliances as unsorted municipal waste, use separate collection facilities.
2. Contact your local government for information regarding the collection systems available.
3. If electrical appliances are disposed of in landfills or dumps, hazardous substances can leak into the groundwater and get into the food chain, damaging your health and well-being.



## **Maintenance**

If the unit's working efficiency decreases, the unit is broken or other problems arise, please stop running the unit and unplug it. Ask for advice by calling your local after sales service agent or the Customer Care Centre on 1300 556 816 (AU) / +64 9 274 8265 (NZ)

# TECHNICAL REFERENCE DATA

<b>Model</b>		<b>DCPF50</b>
Rated Power		150W
Voltage/Frequency		220V-240V/50Hz
Net Weight		11.7kg
Dimensions	Body (mm)	610X505X1530
HxWxD	Package (mm)	640X300X615
		5336

## Warranty:

The warranty is valid for 12 months from date of purchase. For service advice, please contact the Customer Care Centre on 1300 556 816 (AU) / +64 9 274 8265 (NZ)

### Glen Dimplex Australia Pty Ltd

Unit 1, 21 Lionel Road  
Mount Waverley VIC 3149  
Australia

Ph: 1300 556 816

Fax: 1800 058 900

Web: [www.dimplex.com.au](http://www.dimplex.com.au)

### Glen Dimplex New Zealand Ltd

38 Harris Road, East Tamaki,  
Manukau, Auckland 2013  
New Zealand

Ph: (09) 274 8265

Fax: (09) 274 8472

Web: [www.dimplex.co.nz](http://www.dimplex.co.nz)