

# Operator's Manual



10"

## PREMIUM HYBRID TABLE SAW

Model No.  
351.221160

### CAUTION:

Read and follow all Safety Rules and Operating Instructions before First Use of this Product. Keep this Manual with Tool.

Sears, Roebuck and Co., Hoffman Estates, IL 60179 U.S.A.

[www.sears.com/craftsman](http://www.sears.com/craftsman)

30981.01 Draft (07/23/09)

SAFETY

ASSEMBLY

OPERATION

MAINTENANCE

PARTS LIST

ESPAÑOL

## TABLE OF CONTENTS

Warranty	2
Safety Rules	2-5
Unpacking	5
Assembly	5-8
Installation	8-9
Operation	9-13
Maintenance	13-14
Repair Protection Agreement	14
Troubleshooting	16-17
Parts Illustration and List	18-25
Español	26

## WARRANTY

### CRAFTSMAN PROFESSIONAL FULL WARRANTY

If this Craftsman Professional tool fails due to a defect in material or workmanship within one year from the date of purchase, call 1-800-4-MY-HOME® TO ARRANGE FOR FREE REPAIR (or replacement if repair proves impossible).

This warranty does not cover the blade, which is an expendable part.

This warranty gives you specific legal rights and you may also have other rights which vary from state to state.

Sears, Roebuck and Co., Hoffman Estates, IL 60179

## SAFETY RULES

**WARNING:** For your own safety, read all of the instructions and precautions before operating tool.

**PROPOSITION 65 WARNING:** Some dust created by power sanding, sawing, grinding, drilling and other construction activities contains chemicals known to the state of California to cause cancer, birth defects or other reproductive harm.

Some examples of these chemicals are:

- Lead from lead-based paints.
- Crystalline silica from bricks and cement and other masonry products.
- Arsenic and chromium from chemically-treated lumber.

Your risk from these exposures vary, depending on how often you do this type of work. To reduce your exposure to these chemicals: work in a well ventilated area and work with approved safety equipment. Always wear **OSHA/NIOSH** approved, properly fitting face mask or respirator when using such tools.

**CAUTION:** Always follow proper operating procedures as defined in this manual — even if you are familiar with use of this or similar tools. Remember that being careless for even a fraction of a second can result in severe personal injury.

### BE PREPARED FOR JOB

- Wear proper apparel. Do not wear loose clothing, gloves, neckties, rings, bracelets or other jewelry which may get caught in moving parts of machine.
- Wear protective hair covering to contain long hair.
- Wear safety shoes with non-slip soles.

- Wear safety glasses complying with United States ANSI Z87.1. Everyday glasses have only impact resistant lenses. They are **NOT** safety glasses.
- Wear face mask or dust mask if operation is dusty.
- Be alert and think clearly. Never operate power tools when tired, intoxicated or when taking medications that cause drowsiness.

### PREPARE WORK AREA FOR JOB

- Keep work area clean. Cluttered work areas invite accidents.
- Do not use power tools in dangerous environments. Do not use power tools in damp or wet locations. Do not expose power tools to rain.
- Work area should be properly lighted.
- Keep visitors at a safe distance from work area.
- Keep children out of workplace. Make workshop childproof. Use padlocks, master switches or remove switch keys to prevent any unintentional use of power tools.
- Keep power cords from coming in contact with sharp objects, oil, grease and hot surfaces.

### TOOL SHOULD BE MAINTAINED

- Always unplug tool prior to inspection.
- Consult manual for specific maintaining and adjusting procedures.
- Keep tool lubricated and clean for safest operation.
- Remove adjusting tools. Form habit of checking to see that adjusting tools are removed before switching machine on.
- Keep all parts in working order. Check to determine that the guard or other parts will operate properly and perform their intended function.
- Check for damaged parts. Check for alignment of moving parts, binding, breakage, mounting and any other condition that may affect a tool's operation.
- A guard or other part that is damaged should be properly repaired or replaced. Do not perform makeshift repairs. (Use parts list provided to order replacement parts.)
- Maintain proper adjustment of rip fence and blade guard.
- Never adjust saw while running. Disconnect power to avoid accidental start-up.
- Have damaged or worn power cords replaced immediately.
- Keep blade sharp for efficient and safest operation.

### KNOW HOW TO USE TOOL

- Use right tool for job. Do not force tool or attachment to do a job for which it was not designed.
- Disconnect tool when changing blade.
- Avoid accidental start-up. Make sure that the tool is in the "off" position before plugging in, turning on safety disconnect or activating breakers.
- Do not force tool. It will work most efficiently at the rate for which it was designed.
- Keep hands away from blade and moving parts and cutting surfaces.
- Never leave tool running unattended. Turn the power off and do not leave tool until it comes to a complete stop.
- Do not overreach. Keep proper footing and balance.
- Never stand on tool. Serious injury could occur if tool is tipped or if blade is unintentionally contacted.
- Know your tool. Learn the tool's operation, application and specific limitations.

- Handle workpiece correctly. Press firmly against table. Protect hands from possible injury.
- Turn machine off if it jams. Blade jams when it digs too deeply into workpiece. (Motor force keeps it stuck in the work.)
- Feed work into the blade only as recommended in “Operation.”

**WARNING:** For your own safety, do not operate your saw until it is completely assembled and installed according to instructions.

### STABILITY OF SAW

If there is any tendency for the saw to tip over or move during certain cutting operations, such as cutting extremely heavy panels or long heavy boards, the saw should be bolted down. If you attach any kind of extensions over 24" wide to either end of the saw, make sure you either bolt the saw to the floor, as appropriate, or support the outer end of the extension from the bench or floor, as appropriate.

### LOCATION

The saw should be positioned so neither the operator nor a casual observer is forced to stand in line with the saw blade.

### KICKBACKS

A kickback occurs during a rip-type operation when a part or all of workpiece is thrown back violently toward operator.

Keep your face and body to one side of the saw blade, out of line with a possible kickback.

Kickbacks and possible injury from them can usually be avoided by:

- Maintaining rip fence parallel to saw blade.
- Keeping saw blade sharp. Replace or sharpen antikickback pawls when points become dull.
- Keeping saw blade guard, spreader, and antikickback pawls in place and operating properly. The spreader must be in alignment with the saw blade and the pawls must stop a kickback once it has started. Check their action before ripping.
- Not ripping work that is twisted or warped or does not have a straight edge to guide along the rip fence.
- Not releasing work until you have pushed it all the way past the saw blade.
- Using a push stick for ripping widths less than 6 inches.
- Not confining the cutoff piece when ripping or crosscutting.

### PROTECTION: EYES, HANDS, FACE, BODY, EARS

- If any part of your saw is missing, malfunctioning, or has been damaged or broken (such as the motor switch, electronic controls, other operating control, a safety device or power cord), cease operating immediately until the particular part is properly repaired or replaced.
- Wear safety goggles that comply with United States ANSI Z87.1 and a face shield or dust mask if operation is dusty. Wear ear plugs or muffs during extended periods of operation.
- Small loose pieces of wood or other objects that contact the rear of the revolving blade can be thrown back at the operator at excessive speed. This can usually be avoided by keeping the guard and spreader in place for all thru-sawing operations (sawing entirely thru work) and by removing all loose pieces from the table with a long stick of wood immediately after they are cut off.
- Use extra caution when the guard assembly is removed for resawing, dadoing, or rabbeting—replace guard as soon

as that operation is completed.

- Never turn the saw ON before clearing the table of all tools, wood scraps, etc., except the workpiece and related feed or support devices for the operation planned.
- Never place your face or body in line with the cutting tool.
- Never place your fingers or hands in path of saw blade or other cutting tool.
- For rip or rip-type cuts, the following end of a workpiece to which a push stick or push board is applied must be square (perpendicular to the fence) in order that feed pressure applied to the workpiece by the push stick or block does not cause the workpiece to come away from the fence, and possibly cause a kickback.
- During rip and rip-type cuts, workpiece must be held down on table and against fence with a push stick, push block, or featherboards, as applicable (see Figures 1a and 1b, page 4).

The push stick and push block examples shown below are useful for keeping hands and fingers away from saw blade during ripping, rabbeting and dadoing. Apply downward pressure and push workpiece through the cut and past the blades. Several other configurations may be suitable for safe operation.

Featherboards are used to keep the work in contact with the rip fence or table during the cutting operation. Use of featherboards can help to prevent kickbacks and binding. Featherboards should be used for all “non thru-sawing” operations.

- Never reach in back of the cutting tool with either hand to hold down or support the workpiece, remove wood scraps, or for any other reason. Avoid awkward operations and hand positions where a sudden slip could cause fingers or hand to move into a saw blade or other cutting tool.
- Do not perform layout, assembly, or setup work on the table while the cutting tool is rotating.
- Do not perform any operation freehand—always use either rip fence or miter gauge to position and guide the work.
- Never use the rip fence when cross-cutting or the miter gauge when ripping. Do not use rip fence as a length stop. Never hold onto or touch free-end of workpiece or a free-piece that is cut off, while power is ON and/or saw blade is rotating.
- Shut the saw OFF and disconnect power source when removing the table insert, changing the cutting tool, removing or replacing the blade guard, or making adjustments.
- To prevent unauthorized use, lock the start switch using provided padlock.
- Provide adequate support to the rear and sides of the saw table for wide or long workpieces.
- Plastic and composition materials (like hardboard) may be cut on your saw. However, since these are usually quite hard and slippery, the antikickback pawls may not stop a kickback. Therefore, be especially attentive to following proper setup and cutting procedures for ripping. Do not stand, or permit anyone else to stand, in line with a potential kickback.
- If you stall or jam the saw blade in the workpiece, turn saw OFF and remove the workpiece from the saw blade. Check to see if the saw blade is parallel to the miter gauge grooves and if the spreader is in proper alignment with the saw blade. If ripping at the time, check to see if the rip fence is parallel with the saw blade. Readjust as required.

- Do not remove small pieces of cutoff material that may become trapped inside the blade guard while the saw is running. This could endanger your hands or cause kickback. Turn saw OFF and wait until blade stops.
- Use extra care when ripping wood with twisted grain or wood that is twisted or bowed—it may rock on table and pinch saw blade.

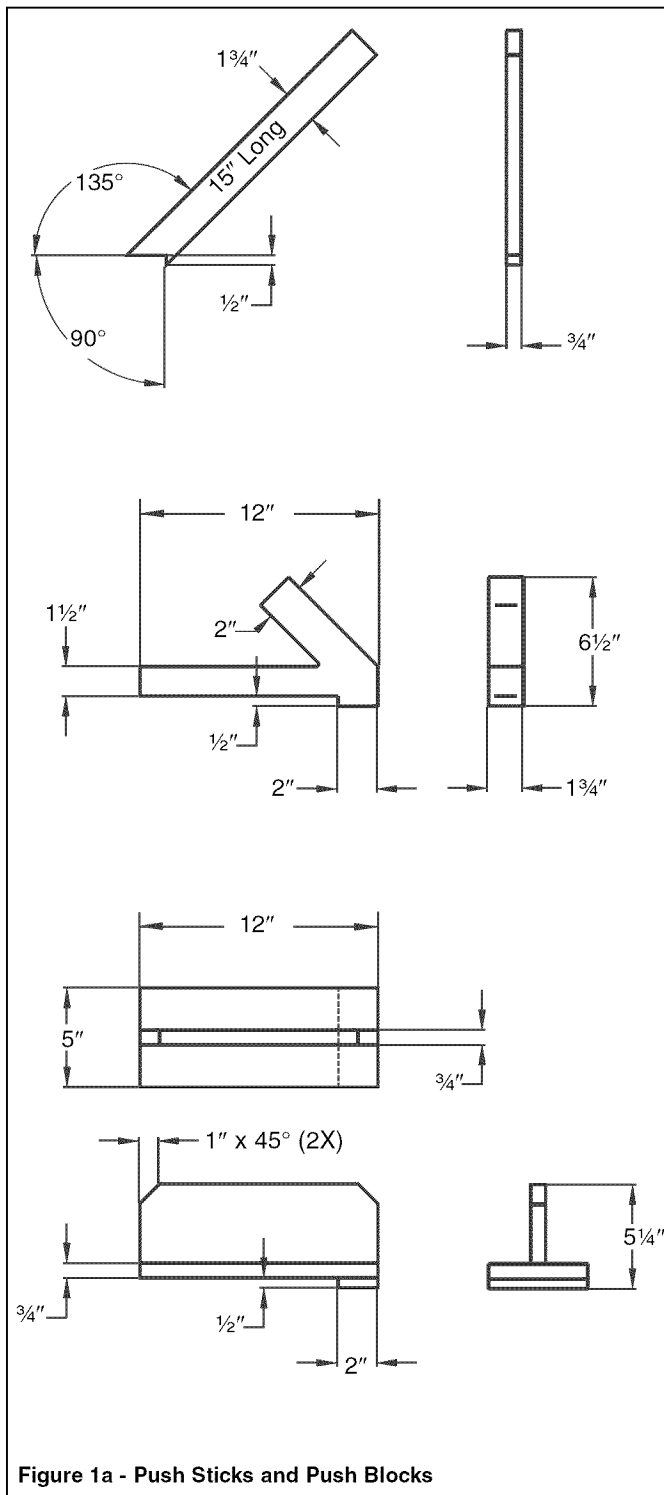


Figure 1a - Push Sticks and Push Blocks

### KNOW YOUR CUTTING TOOLS

- Dull, gummy, improperly sharpened or set cutting tools can cause material to stick, jam, stall saw, or kickback at operator. Minimize potential injury by proper care and machine maintenance.

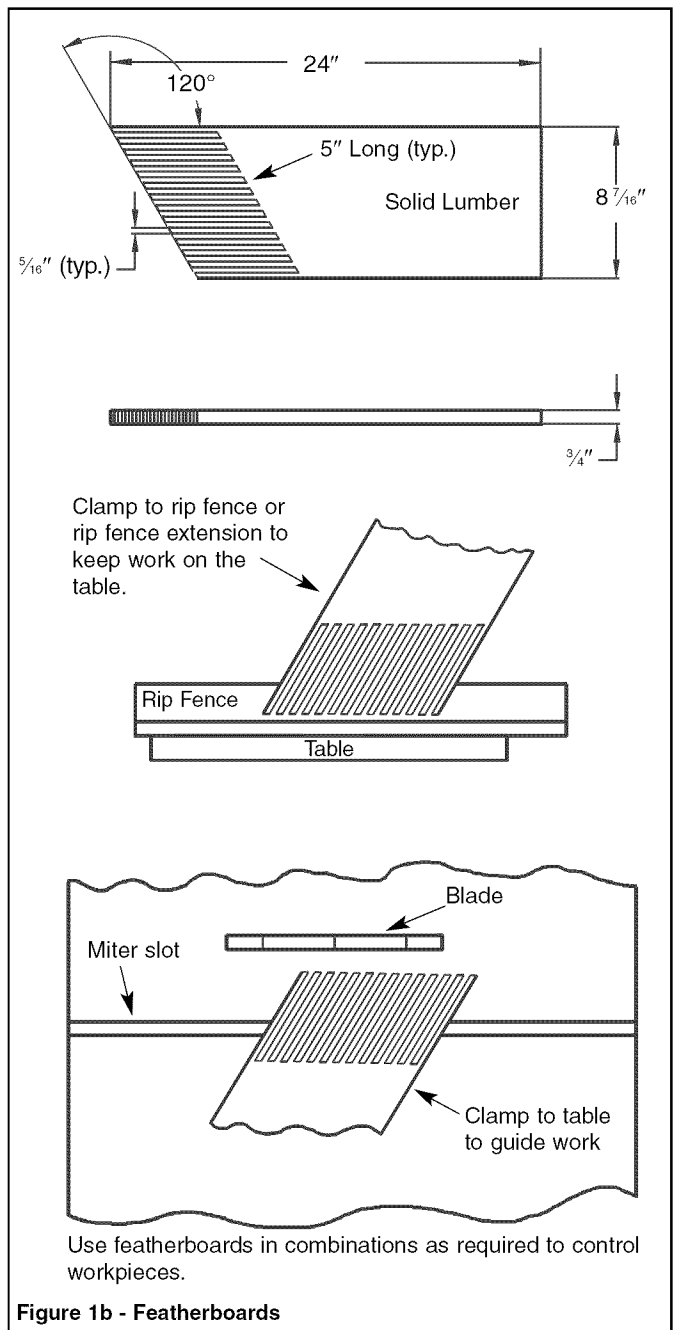


Figure 1b - Featherboards

**WARNING:** Never attempt to free a stalled saw blade without first turning saw OFF.

- Never use grinding wheels, abrasive cutoff wheels, friction wheels (metal slitting blades), wire wheels or buffing wheels.

### USE ONLY ACCESSORIES DESIGNED FOR SAW

- Crosscutting operations are worked more conveniently and with greater safety if an auxiliary wood facing is attached to miter gauge using holes provided. However, facing must not interfere with proper functioning of saw blade guard.
- Make sure the top of the arbor or cutting tool rotates toward you when standing in normal operating position. Also make sure the cutting tool, blade flange and arbor nut are installed properly. Keep the cutting tool as low as possible for the operation being performed. Keep all guards in place whenever possible.

- Do not use any blade or other cutting tool marked for operating speed less than 4000 RPM. Never use a cutting tool larger in diameter than diameter for which saw was designed. For greatest safety and efficiency when ripping, use maximum diameter blade for which saw is designed, since under these conditions spreader is nearest the blade.
- Adjust table inserts flush with table top. Never operate saw unless proper insert is installed.
- Never feed material into the cutting tool from the rear of the saw. An accident and serious injury could result.

**THINK SAFETY**

Safety is a combination of operator common sense and alertness at all times when the saw is being used.

Never use another person as a substitute for a table extension, or as additional support for a workpiece that is longer or wider than basic saw table, or to assist in feeding, supporting or pulling the workpiece.

Do not pull the workpiece through the saw blade—position your body at the infeed side of the guard; start and complete the cut from that same side. This will require added table support for long or wide workpieces that extend beyond the length or width of the saw table.

**CAUTION:** Follow safety instructions that appear on the front of your saw.

**UNPACKING**

Refer to Figure 2.

**CAUTION:** Do not attempt assembly if parts are missing. Use this manual to order replacement parts.

Check for shipping damage or missing parts. If any parts are damaged or missing, call 1-800-266-9079 for replacement.

The saw is shipped complete in two cartons. The table saw comes partially assembled as one unit in the first carton. Additional parts which need to be fastened to the saw should be located and accounted for before assembling:

- A Blade Guard Assembly
- B Support Bar (4)
- C Miter Gauge
- D Box Wrench
- E Open End Wrench
- F Riving Knife
- G Dust Port
- H Handwheel Assembly (2)
- I Handwheel Lock Knob (2)
- J Hook (2)
- K Fence Hook (2)
- L Extension Table (2)
- M Outfeed Table Assembly
- N Hinge (2)
- O Clamp Knob
- P Upper Support Bar
- Q Lower Support Bar
- R Support Retainer

- Hardware Bag #1 (not shown)
- M6 x 10mm Hex Head Bolt (2)
- M6 Lock Washer (2)
- M6 Flat Washer (2)

- Hardware Bag #2 (not shown)
- ¼-20 x ¾" Hex Head Screw (5)
- ¼ Lock Washer (5)
- ¼ Flat Washer (5)

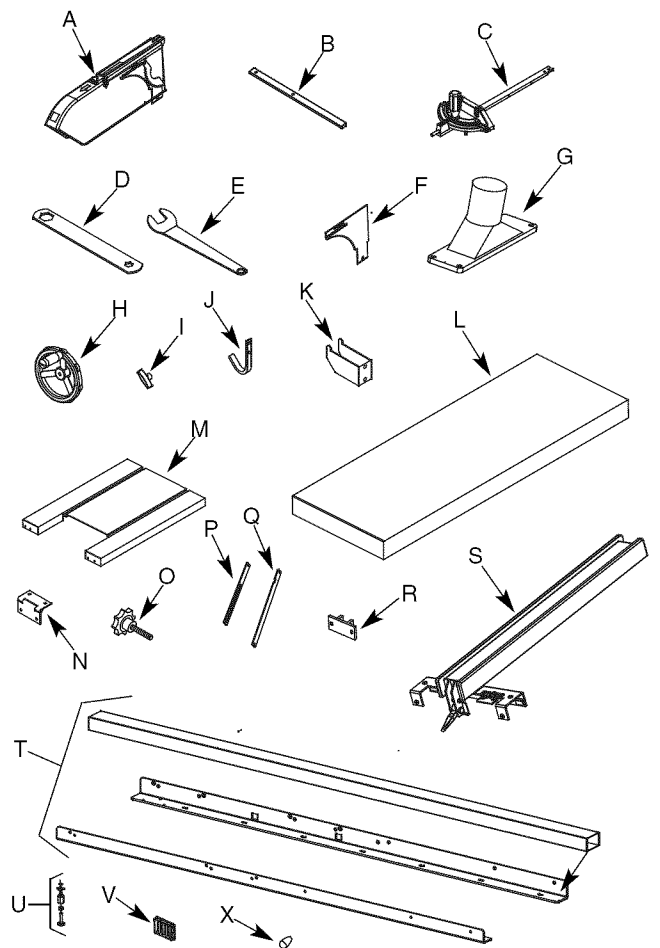
- Hardware Bag #3 (not shown)
- ⅝-18 x ⅝" Flat Head Screw (8)

The second carton contains:

- S Rip Fence Assembly
- T Front, Rear and Guide Rails
- U Rip Fence Foot Assembly
- V Cap (3)
- X Knob
- Scale (not shown)

- Hardware Bag #4 (not shown)
- ½-13 x ¾" Nylon Hex Socket Set Screw (2)

- Hardware Bag #5 (not shown)
- Push Stick (not shown)



**Figure 2 - Unpacking**

**ASSEMBLY**

Refer to Figures 3, 7, 8, 9 and 10.

**CAUTION:** Do not attempt assembly if parts are missing. Use this manual to order replacement parts.

Be certain all parts are clean and free of shipping preservative. Also, completely remove all parts of carton and packing. Saw cabinet should be directly on the floor.



## SAW INSTALLATION

Positioning the saw on a level surface (shimming may be required) will improve stability and accuracy and prevent warpage and failure of cast components and welds. Level the saw using shims or machine mounts. The stationary saw base is fitted with four mounting holes. The holes are located within an orange recess. Use these holes to secure stationary saw to the floor. This saw should be permanently fastened to the floor. This will decrease vibration and increase stability.

## DUST PORT ASSEMBLY

Refer to Figure 10.

**WARNING:** Make certain that the saw is disconnected from the power source.

- Attach the dust port (Key No. 14) to the opening in the bottom rear of the cabinet with four  $\frac{1}{4}$ -20 x  $\frac{1}{2}$ " screws (Key No. 13).

## HANDWHEEL ASSEMBLY

Refer to Figure 8.

**WARNING:** Make certain that the saw is disconnected from the power source.

- Place one of the handwheels (Key No. 2) onto the blade raise/lower shaft (Key No. 38) located on the front of the cabinet. Align the groove in the back of the handwheel with the pin.
- Thread the locking knob (Key No. 1) onto the threaded end of the shaft.
- Repeat the steps above to assemble the remaining handwheel and locking knob onto the bevel shaft located on the side of the cabinet.

## TOOL AND FENCE HOOK ASSEMBLY

Refer to Figure 10.

**WARNING:** Make certain that the saw is disconnected from the power source.

- Assemble both of the fence hooks (Key No. 7) to the left side of the cabinet (Key No. 1) using four  $\frac{1}{4}$ -20 x  $\frac{3}{8}$ " round head screws (Key No. 6).
- Assemble both tool hooks (Key No. 5) to the left side of cabinet using two  $\frac{1}{4}$ -20 x  $\frac{3}{8}$ " round head screws (Key No. 3).

## GRANITE EXTENSION TABLES

Refer to Figure 7.

**WARNING:** Make certain that the saw is disconnected from the power source.

**CAUTION:** The granite extension table is heavy; two people are required for assembly.

- Install two T-support bars (Key No. 7) into the T-slot under main table (Key No. 12).

**NOTE:** Make sure the support bar is installed all the way into the slot, under the main table.

- Thread three  $\frac{5}{16}$ -18 x 2" set screws (Key No. 4) into the edge of the granite table.
- Thread the two M8 x 15 set screws (Key No. 8) into the support bars. Thread screws up to, but NOT beyond, the top surface of the bars.
- Find some help for lifting the extension table. Line up both slots with the support bar until the extension table reaches the main table. Make sure the three  $\frac{5}{16}$ -18 x 2" set screws protrude into the extension table.

- Install flat washers, lock washers and hex nuts (Key Nos. 3, 5 and 6) onto set screws. Hand tighten only. Do not tighten completely until tables are level.
- Repeat above procedure for the other extension table.
- Use a straight edge to check level and flatness between main and extension tables.
- Use a 4mm hex wrench to adjust the set screws in support bars to bring tables level and flat.
- After tables are adjusted level and flat, secure the extension tables by tightening the hex nuts completely.

## CHECK TABLE ALIGNMENT

Refer to Figures 3 and 7.

- Saws are shipped from the factory with the table adjusted so the miter gauge slots are parallel to the saw blade. However, in order to obtain the best results from the saw, it is suggested this adjustment be checked before operating.
- A simple method of checking alignment is as follows: Bolt or clamp a dowel rod or similar object to miter gauge (a combination square can be substituted). Pick out a tooth on front of blade and set the dowel to it so it is just touching. Move same tooth to back of blade.
- Gauge this tooth with the dowel rod. If the tooth is in the same position, relative to the miter gauge, the table is parallel with the blade. In short, the miter gauge slots must be parallel with the blade. This means that when measuring distance between blade and slot at the front and rear of the blade, the distances will be equal (see Figure 3).

**NOTE:** Be positive to measure the distance or make the test on the same tooth of the saw blade in both front and rear positions.

- If an adjustment is necessary, proceed as follows: (Refer to Figures 3 and 7, page 7 and 18). Loosen the hex head bolts and lock washers (Fig. 7, Nos. 5, 9 and 10) to the table (Fig. 7, No. 12). Shift the table until a position is found where the saw blade is parallel to the miter gauge slots.

**NOTE:** Saw blade should also be centered within its table insert opening.

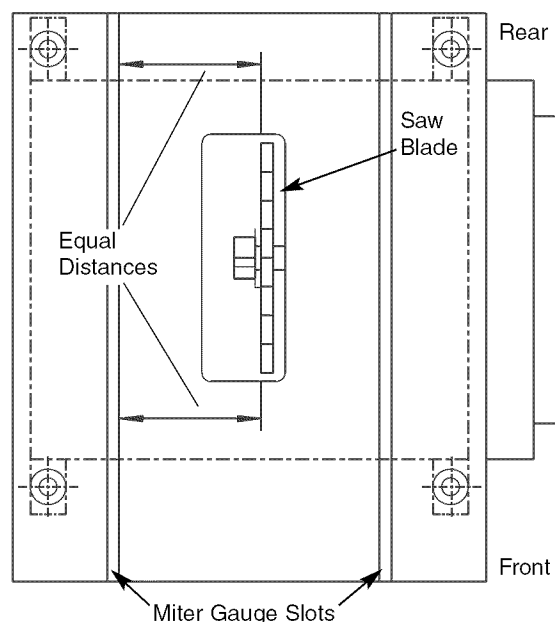


Figure 3 - Aligning Miter Slots to Blade

- Tighten four hex head bolts and lock washers (Figure 7, Nos. 5, 9 and 10) very securely. This procedure will set the table in parallel position and prevent the table from shifting.

## RAIL ASSEMBLY

Refer to Figure 9.

**NOTE:** The upper row of holes in the rails are used to mount rails to table.

- Fasten front rail (Key No. 2) to table and extensions using four  $\frac{5}{16}$ -18 x 1" hex head bolts (Key No. 1).
- Fasten rear rail (Key No. 12) to table and extensions with four  $\frac{5}{16}$ -18 x 1" hex head bolts.

## ATTACH GUIDE TUBE

Refer to Figure 9.

- Place guide tube (Key No. 4) on front rail.
- Secure guide to front rail using flat washers, lock washers and hex head bolts (Key Nos. 9, 10 and 11).

**NOTE:** When fastening the guide tube to the front rail, you will notice that the guide tube has some range of movement left to right. Slide the guide tube on the front rail as far to the right as it will go before securely tightening the hardware.

- Press the two caps (Key No. 3) into the ends of the guide rail.

## ATTACH SWITCH ASSEMBLY

Refer to Figures 7 and 9.

- Attach the switch assembly (Fig. 7, Key No. 39) to the bottom of the front of the front rail using two flat washers, lock washers and hex head bolts. (Fig. 9, Key Nos. 6, 7 and 8).

## RIVING KNIFE ASSEMBLY

Refer to Figure 7.

**WARNING:** Make certain that the saw is disconnected from the power source.

**NOTE:** Remove the table insert retaining bolt (Key No. 13) used to secure the table insert (Key No. 14) to the saw table.

## INSTALLING AND REMOVING THE RIVING KNIFE

### Install

- Line up the riving knife (Key No. 40) in the proper direction to the mounting bracket (Key No. 24).
- Push the riving knife all the way down into the mounting bracket. Make sure the lock pin is locked in the hole of the riving knife. (The lock hole is on the button side of the riving knife).
- If it is not locked properly, hold the fastening knob and pull the lock pin off and make sure the lock pin is properly located at the hole of riving knife. While raising or lowering the knife, pin will snap in the hole of the knife when located properly.
- Tighten the fastening knob.

### Remove

- Loosen the fastening knob.
- Hold the knob and pull the locking pin out.
- Remove the riving knife out of the mounting bracket.

**NOTE:** Make sure blade is at the highest position before adding or removing the riving knife.

## RIVING KNIFE TO BLADE ADJUSTMENT

- Riving knife to blade clearance: the gap between the riving knife and the saw blade should be an even distance across the entire radius.
- The riving knife should also be in line with the saw blade. If adjustment is necessary:
  1. Locate the riving knife clamping block assembly (Key No. 24).
  2. Loosen the two socket head cap screws (Key No. 21) slightly enough to move the bracket bringing the riving knife in line with the saw blade making sure the gap between the blade and knife is even and from  $\frac{1}{4}$  to  $\frac{5}{16}$ " in distance.
  3. Once the riving knife is aligned with the blade, tighten the socket head cap screws.

## RIP FENCE ASSEMBLY INSTALLATION

Refer to Figure 9.

- Insert square nut (Key No. 36) into the open end of the fence body (Key No. 34).
- Thread block screw (Key No. 37) into square nut.
- Fasten E-ring (Key No. 35) to threaded end of screw inside fence body.
- Thread foot assembly with hex nut (Key Nos. 38 and 39) into block screw.
- Install cap (Key No. 3) after adjusting level of fence (see Adjustments).
- Thread knob (Key No. 14) onto cam locking handle (Key No. 14).
- Position rip fence assembly at end of saw. Be certain locking lever (Key No. 14) is in UP unlocked position.
- Place rip fence assembly onto rails, positioning foot (No. 39) on rear rail (Key No. 12), and then placing rip fence onto guide rail (Key No. 4).
- Rip fence should now ride freely on rip fence rails. Once rip fence is completely installed, it should be thoroughly adjusted. (See Operation, page 11, Rip Fence Adjustment.)

## SCALE INSTALLATION

Refer to Figure 9.

- Position left side of rip fence against right side of blade. Mark the guide rail (No. 4) at the zero position indicated by red line on lens (No. 27).
- Remove the rip fence and apply a strip of masking tape along the guide rail  $\frac{1}{4}$ " deep from front edge of rail.
- Using the zero mark as the starting point and the masking tape as a guide, apply the adhesive scale (No. 5) to guide rail. Remove backing and press scale firmly into place using heavy finger pressure.
- Repeat above procedure for the left hand side scale (Key No. 45). (Position right side of rip fence against left side of blade.)

## BLADE GUARD INSTALLATION

Refer to Figure 8.

The blade guard/splitter assembly is installed and adjusted in the same manner as the riving knife.

**IMPORTANT:** Before operating saw, be certain blade guard and antikickback pawls automatically return to table surface.

## INSTALL MITER GAUGE

Refer to Figure 7.

- The miter gauge comes preassembled. Unpack the miter gauge and clean thoroughly. Be certain miter gauge T-slots in table are also thoroughly cleaned.
- The miter gauge is guided through the T-slot with a roller guide at the front of guide bar. To insert miter gauge, first insert roller guide into T-slot at front of table (Key No. 12).

## OUTFEED TABLE ASSEMBLY

Refer to Figure 7.

- Attach support retainer (Key No. 46) to the lower rear of the cabinet with two M6 x 25mm hex head screws, M6 lock washers and M6 flat washers (Key Nos. 22, 23 and 47). Do not completely tighten hardware.
- Assemble the lower support (Key No. 45) to the support retainer with one M6 x 35mm hex head screw and M6 Nylok hex nut (Key Nos. 48 and 49). Be sure that the notch in the lower support is facing up. Do not completely tighten hex nut. Allow lower support to move freely.
- Place clamp knob (Key No. 44) through slot of upper support (Key No. 43), making sure that the rounded corner of the upper support is facing towards notch in lower support. Thread clamp knob into threaded hole of lower support.
- Fold out lower and upper support arm bars, so that the pin in the upper support goes into notch of lower support and securely tighten clamp knob.
- Assemble both hinge assemblies (Key No. 42) to the outfeed table assembly (Key No. 41) with four M5 x 16mm hex head screws, M5 lock washers and M5 flat washers. Make sure washers and hex nuts are placed under the outfeed table. Do not completely tighten hardware.
- Assemble the hinges on the outfeed table to the top of the rear rail through existing holes with four M5 x 16mm hex head screws, M5 lock washers and M5 flat washers. Secure the hex head screws with four M5 flat washers and M5 hex nuts placed under the rear rail. Do not completely tighten hardware.
- Attach upper support bar to tab underneath outfeed table using one M6 x 35 hex head screw and one M6 Nylok hex nut. Do not completely tighten hex nut. Allow upper support to move freely.
- Tighten hardware attaching the hinges to both rear rail and outfeed table.
- Make sure the clearance miter gauge grooves in the outfeed table align with the table saw's miter gauge grooves. Place a straight edge on the saw table overhanging the outfeed table. Make sure the outfeed table is level or slightly below the saw table and securely tighten hardware attaching support retainer to cabinet.

## INSTALLATION

### ELECTRICAL CONNECTIONS

#### GROUNDING INSTRUCTIONS

**WARNING:** Improper connection of equipment grounding conductor can result in the risk of electrical shock. Equipment should be grounded while in use to protect operator from electrical shock.

- Check with a qualified electrician if grounding instructions are not understood or if in doubt as to whether the tool is properly grounded.
- This tool is equipped with an approved 3-conductor cord rated at 300V and a 3-prong grounding type plug (see Figure 4) for your protection against shock hazards.
- Grounding plug should be plugged directly into a properly installed and grounded 3-prong grounding-type receptacle, as shown (Figure 4).

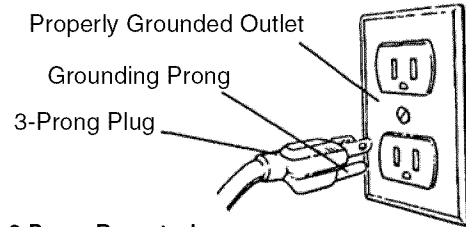


Figure 4 - 3-Prong Receptacle

- Do not remove or alter grounding prong in any manner. In the event of a malfunction or breakdown, grounding provides a path of least resistance for electrical shock.

**WARNING:** Do not permit fingers to touch the terminals of plug when installing or removing from outlet.

- Plug must be plugged into matching outlet that is properly installed and grounded in accordance with all local codes and ordinances. Do not modify plug provided. If it will not fit in outlet, have proper outlet installed by a qualified electrician.
- Inspect tool cords periodically and if damaged, have them repaired by an authorized service facility.
- Green (or green and yellow) conductor in cord is the grounding wire. If repair or replacement of the electric cord or plug is necessary, do not connect the green (or green and yellow) wire to a live terminal.
- Where a 2-prong wall receptacle is encountered, it must be replaced with a properly grounded 3-prong receptacle installed in accordance with National Electric Code and local codes and ordinances.

**WARNING:** This work should be performed by a qualified electrician.

A temporary 3-prong to 2-prong grounding adapter (see Figure 5) is available for connecting plugs to a two pole outlet if it is properly grounded.

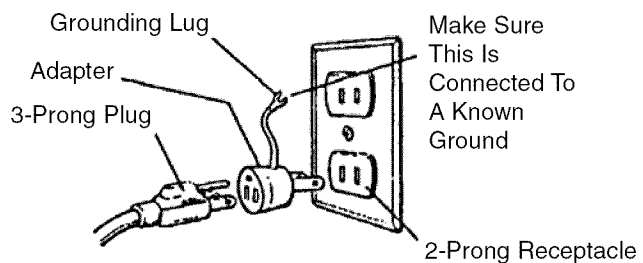


Figure 5 - 2-Prong Receptacle with Adapter

- Do not use a 3-prong to 2-prong grounding adapter unless permitted by local and national codes and ordinances.
- (A 3-prong to 2-prong grounding adapter is not permitted in Canada.) Where permitted, the rigid green tab or terminal on the side of the adapter must be securely connected to a permanent electrical ground such as a properly grounded water pipe, a properly grounded outlet box or a properly grounded wire system.

- Many cover plate screws, water pipes and outlet boxes are not properly grounded. To ensure proper ground, grounding means must be tested by a qualified electrician.

### EXTENSION CORDS

- The use of any extension cord will cause some drop in voltage and loss of power.
- Wires of the extension cord must be of sufficient size to carry the current and maintain adequate voltage.
- Use the table to determine the minimum wire size (A.W.G.) extension cord.
- Use only 3-wire extension cords having 3-prong grounding type plugs and 3-pole receptacles which accept the tool plug.
- If the extension cord is worn, cut, or damaged in any way, replace it immediately.

#### Extension Cord Length (120V Operation)

	Wire Size A.W.G.
Up to 25 ft. ....	14
Up to 50 ft. ....	12

**NOTE:** Using extension cords over 50 ft. long is not recommended.

### ELECTRICAL CONNECTIONS

**WARNING:** Make sure unit is off and disconnected from power source before inspecting any wiring.

The saw is prewired for use on a 120 volt, 60HZ power supply.

The power lines are inserted directly onto the switch. The green ground line must remain securely fastened to the frame to properly protect against electrical shock.

#### 240 VOLT OPERATION

- To use the saw with a 240V, single-phase power supply, have a qualified electrician attach a 240 volt, 15A 3-prong plug onto saw line cord and install the proper connectors and receptacles to power supply.
- See wiring diagram (Figure 6) for wiring instructions.

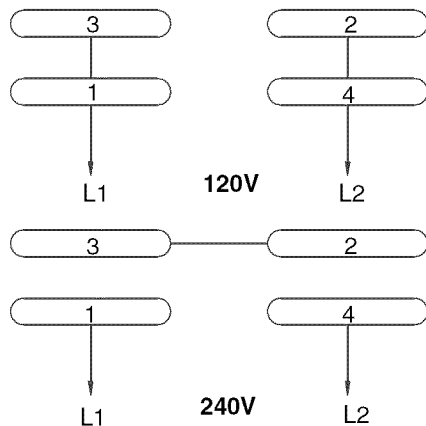


Figure 6 - Wiring Schematic

## OPERATION

Refer to Figures 7-10, pages 16 and 23.

### DESCRIPTION

The Craftsman 10" Model Number 221160 tilting arbor saw offers precise cutting performance for all woods up to 3<sup>5</sup>/<sub>16</sub>" thick. The saw is designed for the professional user and is ruggedly constructed for continuous service. The saw is

designed to be permanently located in a shop or plant. The 10" Saw is recommended for use with a 10" blade.

The saw features an extra large solid granite table. A unique system of T-slots incorporate the cast iron miter gauge. Saw is equipped with a riving knife and a clear acrylic blade guard with antikickback feature. Cabinet is constructed of heavy gauge welded steel, totally enclosed and is ported for a 4" vacuum hose.

Rip Fence Assembly features a heavy-duty precision rip fence that is designed for simple and one-hand maneuverability. They include a front rail calibrated in inches and millimeters with a magnified window for close tolerances.

### SPECIFICATIONS

#### Capacity with 10" Blade:

Depth of cut at 90° .....	3 <sup>5</sup> / <sub>16</sub> "
Maximum tilt angle of arbor .....	45°
Depth of cut at 45° .....	2 <sup>1</sup> / <sub>4</sub> "
Max. cut right of blade with rip fence .....	30"
Max. cut left of blade with rip fence .....	13 <sup>1</sup> / <sub>2</sub> "

#### Saw Dimensions:

Table height .....	34"
Cabinet depth .....	20"
Cabinet width .....	17 <sup>3</sup> / <sub>4</sub> "
Table area .....	40 <sup>1</sup> / <sub>4</sub> " x 27"
Front of table to blade .....	12"

#### Rip Fence Dimensions:

Rip fence .....	37 <sup>3</sup> / <sub>8</sub> "
Rip fence rails (front and rear) .....	52"
Blade capacity maximum .....	10"
Blade arbor extension .....	5 <sup>5</sup> / <sub>8</sub> "
Dado blade capacity maximum .....	13 <sup>1</sup> / <sub>16</sub> "

#### Saw Constructions:

Cabinet .....	Totally enclosed welded steel
Table .....	Granite
Rip fence .....	UPE and steel tube
Drive system .....	Poly V-belt
Exhaust port .....	4" Male
Miter gauge .....	Cast iron with T-slot roller guide
Blade guard .....	Acrylic with antikickback pawls
Switch .....	ON/OFF switch with overload
Arbor R.P.M. ....	4,000 RPM approx.
Motor: .....	1 <sup>1</sup> / <sub>4</sub> HP, 3450 RPM, capacitor start, capacitor run, 120/240V, 15/7.5A, single-phase, ball bearing
Weight .....	432 lbs
Shipping weight .....	485 lbs

**WARNING:** Disconnect power before attempting any of the following procedures. Be certain switch is in OFF position and safety disconnect (or breaker) is in OFF or open position. Saw blade must not be moving. Saw blade will rotate freely after motor is turned off. Allow blade to come to a complete stop before attempting any of the following procedures.

**WARNING:** The operation of any power tool can result in foreign objects being thrown into the eyes, which can result in severe eye damage. Always wear safety goggles complying with United States ANSI Z87.1 before commencing power tool operation.

## STARTING AND STOPPING THE SAW

Refer to Figure 7.

**WARNING:** Never operate saw without blade guards in place. Be sure blade is not in contact with workpiece when motor is started. Start motor and allow saw to come to full speed.

**WARNING:** Make sure the electrical characteristics of motor nameplate and power source are the same.

- The ON/OFF switch is located under the front rail of the table saw at the left side.
- To turn saw on, stand to either side of the blade—never in line with it. Push green ON button (Key No. 28). Always allow saw blade to come up to full speed before cutting.
- Do not turn motor switch ON and OFF rapidly. This action overheats the motor and may cause saw blade to loosen.
- Never leave saw while the power is on.
- To turn the table saw off, press the large red OFF paddle (Key No. 26) or lift the paddle and press directly on the red OFF button. Never leave saw until cutting tool has come to a complete stop.
- The table saw has a resettable thermal overload relay located on the side of the switch (Ref. No. 31). If the motor shuts off during an operation, press the OFF button and let the motor cool several minutes. Clear saw blade and work area of debris. Push the button on the thermal overload relay to reset the relay. The motor can now be turned on again.

**WARNING:** For your own safety, lower blade or cutting tool below table surface. If blade is tilted, return it to vertical position. Turn off safety disconnect or circuit breaker when saw is not in use.

## BLADE HEIGHT ADJUSTMENT

Refer to Figure 8.

- Blade height is controlled by handwheel (Key 2) on the front of the saw.
- To adjust height, loosen locking hand knob (Key No. 1). Rotate knob counterclockwise approximately three turns. Turn handwheel to desired blade height.

**CAUTION:** For safety, blade should be raised only  $\frac{1}{8}$ " above the surface of the material to be cut. However, if hollow ground blades are used, raise blade to its maximum height to allow for greater blade clearance.

- Lock blade height into position. Lock handwheel (Key No. 2) by tightening locking knob (Key No. 1) clockwise. Tighten only until snug.

**IMPORTANT:** Do not over tighten. Only a small amount of pressure is necessary to lock handwheel securely.

- The blade height mechanism has upper and lower limit stops (Key Nos. 29 and 34). These limit stops are set at the factory and need no further adjustment.

## BLADE TILT ADJUSTMENT

Refer to Figure 8.

- The saw blade can be set at any angle between 90° and 45°. Blade tilt is controlled by the handwheel (Key No. 2) on the left side of the saw. The indicator (Key No. 20) on front of saw shows the tilt angle of the blade.
- To adjust tilt, loosen locking hand knob (Key No. 1). Rotate knob counterclockwise at least three turns. Turn handwheel to desired blade angle. Lock blade angle into position.

- Lock handwheel (Key No. 2) by tightening locking hand knob (Key No. 2) clockwise. Tighten only until snug.
- The saw is equipped with positive stops at 90° and 45°. These positive stops allow operator to position saw blade at 90° and 45° quickly and accurately.

## 90° STOP ADJUSTMENT

Refer to Figures 7 and 8.

- Raise saw blade above table as far as possible. Set blade at 90° to table by turning the tilting handwheel. Place a square on table and check to see if blade is perpendicular to the table. When checking put square flush against saw blade. Do not put square on teeth of saw blade.
- If the blade will not tilt to 90°, turn (counterclockwise) the set screw (Fig. 7, Key No. 11) in the left miter slot of the saw table until the blade can be positioned to 90°.
- Once the blade has been tilted to 90° (confirm this using your square), tighten the bevel handwheel lock knob, located on the side of the cabinet. This will keep the blade from tilting further.
- Turn the set screw (clockwise) until it comes in contact with the positive stop.
- Check tilt indicator pointer. If necessary, adjust pointer so it points to 0° mark on scale. To adjust pointer, remove handwheel and loosen screw (Fig. 8, Key No. 18). Be sure to tighten screw securely after adjustment is completed.

## 45° STOP ADJUSTMENT

Refer to Figure 7.

- Tilt the saw blade to 45°. Using a combination square, check to see if blade is 45° to the table.
- If the blade will not tilt to 45°, turn (counterclockwise) the set screw (Key No. 16) located just to the right of the right miter slot, until the blade can be positioned to 45°.
- With the blade at 45°, tighten the bevel handwheel lock knob to keep the blade from further tilting.
- Turn the set screw clockwise until it comes in contact with the positive stop.

## TABLE INSERT ADJUSTMENT

Refer to Figure 7.

- The table insert (Key No. 14) must always be level with the saw table. To adjust the table insert, loosen and remove table insert retaining bolts (Key No. 13).
- The table insert is equipped with a finger hold for easy removal.
- Place a straight edge across the front and rear of the table insert. Check that the insert is perfectly level with the saw table.
- To level the table insert, turn the one or more adjusting set screws (Key No. 15) as needed and recheck.
- Once the insert is level, secure the insert with the retaining bolts removed in the first step.

## MITER GAUGE ADJUSTMENT

- Miter gauge supplied with saw is equipped with individually adjustable index stops at 0° and 45°, right and left, and can be manually adjusted up to 60° right and left. Adjustment to index stops can be made by loosening locking nut and tightening or loosening three adjusting screws. Be sure to tighten locking nut after adjustment is made.

- Face of miter gauge has two holes for purpose of attaching auxiliary facing.
- Miter gauge is accurately constructed for precision work. Miter gauge is guided through T-slot with a roller guide mounted at front of guide bar. Roller guide adds to miter gauge's stability and prevents the guide bar from leaving T-slot.
- To operate miter gauge, simply loosen lock handle and move miter gauge to desired angle. The miter gauge will stop at 0° and 45°, both right and left. To position miter gauge past these points, simply pull out gauge stop. Position miter gauge at desired angle and tighten lock handle.
- Be positive the edge of workpiece next to face of miter gauge is straight and tight against miter gauge so that the workpiece does not rock or rotate. Always use both hands when operating the miter gauge.
- The miter gauge is used for cross-cutting, compound miter cutting, miter cutting, rabbeting, bevel cutting and dadoing.

### RIP FENCE ADJUSTMENT

Refer to Figure 9.

The saw's rip fence is precision manufactured, incorporating fine adjustments for accurate cuts. The saw is built to allow the operator to accurately adjust the rip fence without problems in a matter of seconds.

**NOTE:** Fence adjustments should be performed in the order listed in this manual.

### ADJUSTING THE REAR FOOT ASSEMBLY

- Make sure that the rear foot assembly (Key No. 39) rests on the rear rail (Key No. 12).
- If the rear foot assembly does not rest on the rear rail, loosen the block screw (Key No. 37) and slide the foot assembly forwards or backwards until the foot rests on the rear rail.
- Retighten the block screw to secure foot in position.

### LEVELING THE FENCE TO THE TABLE

- Lift the lock handle (Key No. 15) to unlock the fence.
- Observe the space between the fence bottom and the table. The space should be equal along the entire length of the fence.
- The rear foot assembly (Key No. 39) and the top adjusting screws (Key No. 18) are both used to level the fence. Adjust whichever one is necessary until the fence is level with the table.
- Once fence is level, tighten hex nut (Key No. 38) to secure fence in position.

### SETTING CLAMPING PRESSURE

Rip fence has been adjusted at the factory to lock securely when the lock handle is pushed down. To adjust:

- Unlock fence and remove it from the guide tube.
- Adjust the two front adjusting screws (Key No. 18) **EQUALLY** until the fence is held securely when the lock handle is pushed down,

### SETTING FENCE PARALLEL

Refer to Figure 9.

**NOTE:** Before setting the parallelism of the fence, it is critical that the blade is parallel with the miter slots in the table. See "Check Table Alignment", page 6.

- Unlock and position the fence so that the two front set screws (Key No. 18) are aligned with the "windows" in the front rail (Key No. 2). These windows allow access to the set screws while fence is on the guide tube.
- Lock the fence in position and place a combination square against the right edge of the right miter slot at the front of the table.
- Extend the blade of the combination square that it just touches the left side of the rip fence. Note the measurement.
- Move the combination square to the rear of the table and measure the distance from the miter slot to the fence. It should be equal to the measurement taken previously. If measurements are not equal, proceed to the next step.
- Unlock the fence and adjust one of the set screws using provided hex wrench. Wrench can be inserted through the back side of the window in the front rail.
- Lock the fence down and retake the measurements taken previously. Repeat until both measurements are equal.

**NOTE:** The clamping pressure may need to be re-adjusted after setting fence parallel.

### SETTING FENCE PERPENDICULAR

Refer to Figure 9.

- Position fence anywhere on table and lock it down.
- Place a square on the table next to the fence and check to see that the fence is at 90° to the table.
- If an adjustment is necessary, unlock the fence and turn either of the two top adjusting screws (Key No. 18).
- Lock the fence in position and recheck. Continue this procedure until the fence is square to the table.

### CURSOR ADJUSTMENT

Refer to Figure 9.

- Raise the saw blade above the table.
- Position the fence several inches to the right of the saw blade.
- Lock the fence down and measure the exact distance between the saw blade and the inside of the fence.
- Loosen the two screws (Key No. 31) on the lens and slide it left or right until the cursor (red line) equals the measurement obtained in the previous step.
- Retighten the screws and make a test cut. Measure the cut piece to verify that the cursor is set correctly.

**NOTE:** This adjustment should be checked whenever a new blade is installed.

### RAIL GUIDE ADJUSTMENT

Refer to Figure 9.

To eliminate excessive play in the fence as it rides along the guide tube:

- Unlock the fence.
- Pull fence body towards the front of the saw.

- Tighten the two front adjustment screws (Key No. 18) until they just touch the guide tube, and then back them off about 1/4 turn. This should set the proper amount of play in the fence.
- Check the fence movement. Readjust if needed.

## RIP FENCE OPERATION

Refer to Figure 10.

- Unlock the fence by lifting the locking lever (Key No. 15). Using the scale for placement, position the rip fence. Lock the rip fence into position by placing the locking lever in the down position.
- The rip fence is used for the following operations: ripping, bevel ripping, ploughing, resawing, rabbeting and dadoing.

**WARNING:** For your own safety, always observe the following safety precautions.

- Never make any cut freehand (without using miter gauge or rip fence). Blade can bind in the cut and cause a kickback.
- Always lock miter gauge or rip fence securely when in use.
- Remove rip fence from the table when miter gauge is in use.
- Remove miter gauge from table when rip fence is in use.
- Make sure blade guard is installed for all “thru sawing” operations. Replace guard immediately after completion of resawing, rabbeting and dadoing.

Frequently check action of antikickback pawls by passing the workpiece alongside the spreader while saw is off. Pull the workpiece toward you. If the pawls do not dig into the workpiece and hold it, the pawls must be sharpened. (See Maintenance section, page 13.)

- Have blade extend approximately 1/8” above top of workpiece. Additional blade exposure increases hazard potential.
- Do not stand directly in front of blade in case of a kickback. Stand to either side of the blade.
- Keep your hands clear of the blade and out of the path of the blade.
- If the blade stalls or stops while cutting, turn switch OFF and safety disconnect OFF before attempting to free the blade.
- Do not reach over or behind the blade to pull the workpiece through the cut, to support long or heavy workpieces, to remove small cut-off pieces of material or for any other reason.
- Do not pick up small pieces of cut-off material from the table. Remove them by pushing them off table with a long stick. Otherwise they could be thrown back at you by the rear of the blade.
- Do not remove small pieces of cut-off material that may become trapped inside blade guard while saw is on. This could endanger your hands or cause a kickback. Turn saw off. After blade has stopped turning, lift guard and remove the piece.
- Always lower blade below the table level when machine is not in use.

## TYPES OF CUTS/OPERATIONS

### CROSSCUTTING

Performed with miter gauge set at “0”. Crosscutting is known as cutting work across the grain at 90°, or square with both the edge and the flat side of the wood.

### MITER CUTTING

Performed with miter gauge, is known as cutting wood at an angle other than 90° with the edge of the wood.

### BEVEL CROSSCUTTING

Performed with miter gauge, is same as crosscutting except that the wood is also cut at an angle other than 90° with the flat side of the wood (blade is at an angle).

### COMPOUND MITER CUTTING

Performed with miter gauge, is a combination of miter cutting and bevel crosscutting. Cut is made at angle other than 90° to both the edge and flat side of wood.

### RIPPING

Performed with rip fence, is known as cutting a piece of wood with the grain or lengthwise. Position the fence to the desired width of rip and lock in place. When ripping long boards or large panels always use a work support.

### BEVEL RIPPING

Performed with rip fence, the same as ripping. However, blade is set at an angle other than 90°.

### RESAWING

Performed with rip fence, is known as ripping a piece of wood through its thickness. Do not attempt to resaw bowed or warped material.

**NOTE:** It may be necessary to remove blade guard and use work supports as well as push blocks when performing this operation.

**WARNING:** Install blade guard immediately upon completion of resawing operation.

### PLOUGHING

Performed with rip fence, is grooving with grain long way of workpiece. Use proper hold downs and feed devices.

### RABBETING

Performed with either miter gauge or rip fence. Rabbeting is known as cutting out a section of the corner of a piece of material, across an end or along an edge. To make a rabbet requires cuts which do not go all the way through the material. Therefore, blade guard must be removed. Install blade guard immediately upon completion of rabbeting operation. Rabbet cuts can also be made using dado head.

### DADOING

Performed with either miter gauge or rip fence. Dadoing is done with a set of blades (dado set) rather than standard saw blades. The dado set is used to groove wood similar to ploughing and rabbeting. However, the dado set allows operator to remove more material in one pass. The operator, with a dado set, can vary width of cut up to 13/16”.

Instructions for operating dado set are contained in owner’s manual furnished with dado set. Dadoing requires cuts which do not go all the way through material. Therefore, blade guard must be removed. Dado sets have different characteristics than saw blades. As a result, saw must be fitted with special parts that are available for saw (dado table insert).

The Craftsman stationary saw dado set maximum capacity is  $\frac{5}{8}$  I.D. x 8" O.D. x  $\frac{13}{16}$ " width.

**IMPORTANT:** Always use correct insert. When using the dado set, use caution. Use featherboards and push sticks as applicable.

**WARNING:** Always immediately replace the standard blade, blade guard and blade insert when you are finished dadoing.

### CUTTING OVERSIZED WORKPIECES

When cutting long workpieces or large panels, always support workpiece that is not on table. Use rear outfeed table extension or make simple support by clamping a piece of plywood to saw horse. Add facings to miter gauge or rip fence as needed.

**IMPORTANT:** Do not allow facings to interfere with operation of blade guard.

### DUST COLLECTING

- Saw is fitted with a 4" male exhaust port.
- Use of a dust collector is recommended.

### BLADE SELECTION

Blade selection is based on type of material being cut and how it will be cut. There are three general types of saw blades: rip saw blades cut with grain of wood, cut-off saw blades cut across grain, and combination saw blades cut with grain, across grain and any angle to grain.

Blades vary in many aspects. When selecting a blade, the following blade characteristics should match up with operation to be performed and type of material to be cut: type of steel; quality of steel; tooth style; tooth set; carbide tipped; grind; number of teeth and size.

**IMPORTANT:** Your saw is only as accurate and efficient as blade or cutting tool used.

First, be certain to use the appropriate type of cutting tool for the operation to be performed. Second, it is strongly recommended that high-quality blades and cutting tools be used. Be certain blades and cutting tools are kept sharp and in good working order. Check blades periodically and replace or sharpen if necessary.

## MAINTENANCE

**WARNING:** Do not attempt under any circumstances, to service, repair, dismantle, or disassemble any mechanical or electrical components without physically disconnecting all power sources.

### CLEANING

- Clean off any preservative on bright (machined) parts with appropriate solvent (mineral spirits). Avoid getting cleaning fluid on any rubber parts as they tend to deteriorate rubber.
- Use soap and soft water on rubber and plastic parts.
- After cleaning, lubricate unpainted surfaces with a light application of medium consistency machine oil. This lubrication should be repeated at least once every six months.
- Use a damp cloth to clean the granite table.
- Keep your machine and your workshop clean. Do not allow sawdust to accumulate on saw or inside cabinet. Frequently vacuum or blow out any sawdust that may accumulate within cabinet.

- Be certain motor and internal mechanisms are clean and are frequently vacuumed or blown free of any dirt.

### LUBRICATION

All bearings on the arbor are shielded ball bearings. These bearings are permanently lubricated at the factory.

- As needed, clean the grease off the rack and worm gears of height and tilt mechanism. Lubricate rack and gears with a medium viscosity machine oil.
- Be sure to lubricate trunnion ways and all bushings.
- Occasionally oil all other bearing points, including blade guard assembly, miter gauge and rip fence.

### SERVICE

- Replace belts and worn parts as needed. If power cords are worn, cut, or damaged in any way, have them replaced immediately.
- Make sure teeth of antikickback pawls are always sharp.
- Sharpen dull teeth using a few light strokes of a smooth cut flat file.

### CHANGING THE SAW BLADE

Refer to Figures 7 and 8.

**NOTE:** Any replacement blades must have a body thickness less than the thickness of the riving knife/splitter. The kerf width (width of cut made by the blade) must be greater than the thickness of the riving knife/splitter. Check markings on riving knife/splitter and on blade or blade packaging.

**WARNING:** Turn the power switch "OFF" and unplug the power cord from its power source when changing the saw blade.

**WARNING:** USE ONLY 10" diameter blades with 5/8 arbor holes, rated at or higher than 3800 R.P.M.

- Raise saw blade to maximum height.
- Remove the table insert retaining bolts and table insert (Fig. 7, Key Nos. 13 and 14).
- Remove blade guard/splitter or riving knife (Fig. 7, Key Nos. 25 and 40).
- Two wrenches are supplied with the saw (Fig. 8, Key Nos. 66 and 67). Place open-end wrench on the flat of the arbor (Fig. 8, No. 56). Place box wrench on the arbor nut (Fig. 8, Key No. 59) and loosen nut. Remove nut, flange and blade (Fig. 8, Key Nos. 57, 58 and 59).
- Place new blade on arbor. Make sure blade teeth points down at the front side of blade. Place flange and nut on arbor and securely snug blade in position.
- Replace blade guard/splitter or riving knife.
- Replace table insert and tighten the table insert retaining bolts.

### BACKLASH ADJUSTMENTS FOR BLADE RAISING/LOWERING AND BLADE TILTING ASSEMBLIES

Refer to Figure 8.

If any play is detected in the blade raising/lowering or blade tilting assemblies, the following adjustments should be made.

**WARNING:** Make certain that the saw is disconnected from the power source.

- To adjust blade raising/lowering assembly, loosen lock nut (Key No. 22) and turn the eccentric sleeve (Key No. 36) until all play is removed in the assembly, then tighten lock nut.

- To adjust the blade tilting assembly, loosen lock nut (Key No. 12) and turn the eccentric (Key No. 26) until all play is removed in the assembly, then tighten the lock nut.

### Repair Protection Agreements

*Congratulations on making a smart purchase.* Your new Craftsman® Professional product is designed and manufactured for years of dependable operation. But like all products, it may require repair from time to time. That's when having a Repair Protection Agreement can save you money and aggravation.

#### Here's what the Repair Protection Agreement\* includes:

- ☑ **Expert service** by our 10,000 professional repair specialists
- ☑ **Unlimited service and no charge** for parts and labor on all covered repairs
- ☑ **Product replacement** up to \$1500 if your covered product can't be fixed
- ☑ **Discount of 10%** from regular price of service and related installed parts not covered by the agreement; also, 10% off regular price of preventive maintenance check
- ☑ **Fast help by phone** – we call it Rapid Resolution – phone support from a Sears representative. Think of us as a “talking owner’s manual.”

Once you purchase the Repair Protection Agreement, a simple phone call is all that it takes for you to schedule service. You can call anytime day or night, or schedule a service appointment online.

The Repair Protection Agreement is a risk-free purchase. If you cancel for any reason during the product warranty period, we will provide a full refund. Or, a prorated refund anytime after the product warranty period expires. Purchase your Repair Protection Agreement today!

**Some limitations and exclusions apply. For prices and additional information in the U.S.A. call 1-800-827-6655. \*Coverage in Canada varies on some items. For full details call Sears Canada at 1-800-361-6665.**

### Sears Installation Service

*For Sears professional installation* of home appliances, garage door openers, water heaters, and other major home items, in the U.S.A. or Canada call **1-800-4-MY-HOME®**.



## TROUBLESHOOTING

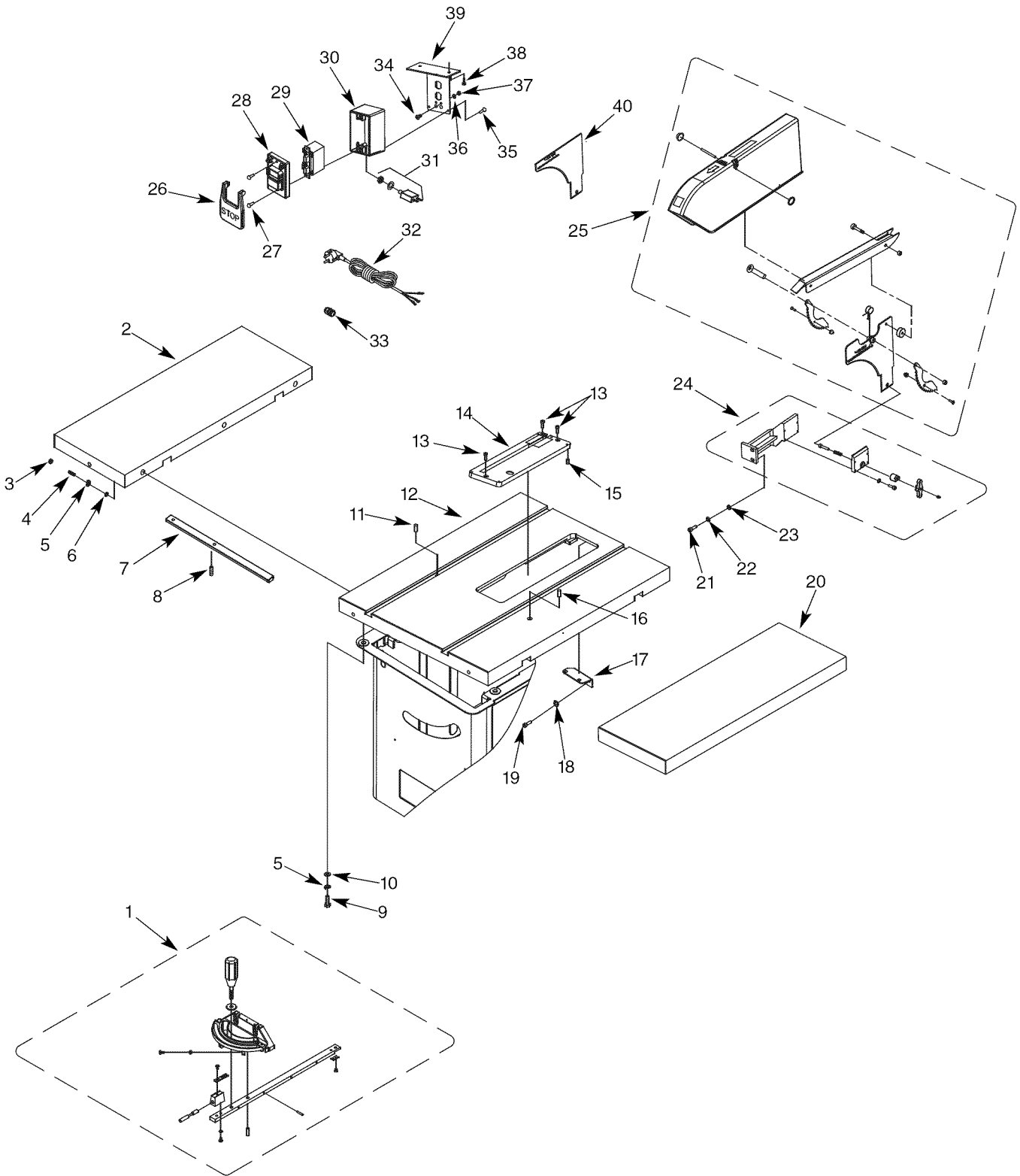
SYMPTOM	POSSIBLE CAUSE(S)	CORRECTIVE ACTION
Saw stops or will not start	<ol style="list-style-type: none"> <li>1. Overload tripped</li> <li>2. Saw unplugged from wall or motor</li> <li>3. Fuse blown or circuit breaker tripped</li> <li>4. Cord damaged</li> </ol>	<ol style="list-style-type: none"> <li>1. Allow motor to cool and reset by pushing reset switch</li> <li>2. Check all plug connections</li> <li>3. Replace fuse or reset circuit breaker</li> <li>4. Replace cord</li> </ol>
Excessive vibration	<ol style="list-style-type: none"> <li>1. Stand on uneven floor</li> <li>2. Damaged saw blade</li> <li>3. Bad drive V-belt</li> <li>4. Bent pulley</li> <li>5. Improper motor mounting</li> <li>6. Loose hardware</li> <li>7. Loose set screw in pulley</li> </ol>	<ol style="list-style-type: none"> <li>1. Reposition on flat, level surface</li> <li>2. Replace saw blade</li> <li>3. Replace drive V-belt</li> <li>4. Replace pulley</li> <li>5. Check and adjust motor</li> <li>6. Tighten hardware</li> <li>7. Tighten set screw</li> </ol>
Cannot make square cut when crosscutting	Miter gauge not adjusted properly	Adjust miter gauge
Blade stalls (however, motor turns)	<ol style="list-style-type: none"> <li>1. Drive belt not tight</li> <li>2. Drive belt worn</li> </ol>	<ol style="list-style-type: none"> <li>1. Adjust drive belt tension</li> <li>2. Replace drive belt</li> </ol>
Blade does not come up to speed	<ol style="list-style-type: none"> <li>1. Extension cord too long or wire gauge too small</li> <li>2. Low shop voltage</li> <li>3. Motor not wired for correct voltage</li> </ol>	<ol style="list-style-type: none"> <li>1. Replace with adequate size cord</li> <li>2. Contact your local electric company</li> <li>3. Refer to motor junction box</li> </ol>
Cut binds, burns or stalls when ripping	<ol style="list-style-type: none"> <li>1. Dull blade with improper tooth set</li> <li>2. Blade is binding at one end of cut (heeling)</li> <li>3. Warped board</li> <li>4. Rip fence not parallel to blade</li> <li>5. Riving knife/splitter out of alignment</li> <li>6. Excessive feed rate</li> </ol>	<ol style="list-style-type: none"> <li>1. Sharpen or replace blade</li> <li>2. Adjust table and rip fence parallel to blade</li> <li>3. Make sure concave or hollow side is facing down; feed slowly</li> <li>4. Adjust rip fence</li> <li>5. Adjust riving knife/splitter to fall in line with blade</li> <li>6. Reduce feed rate</li> </ol>
Cut not true at 45° or 90° positions	Positive stops not properly adjusted	Adjust blade tilt
Tilt and elevating handwheel difficult to turn	<ol style="list-style-type: none"> <li>1. Sawdust on rack and worm gears</li> <li>2. Bushing collars too tight</li> <li>3. Bushings and bearing surfaces dirty</li> </ol>	<ol style="list-style-type: none"> <li>1. Clean and relubricate</li> <li>2. Adjust properly</li> <li>3. Clean thoroughly and lubricate</li> </ol>
Rip fence binds on guide tube	<ol style="list-style-type: none"> <li>1. Guide rails or extension wing not properly installed</li> <li>2. Guide of rip fence not adjusted properly</li> </ol>	<ol style="list-style-type: none"> <li>1. Reassemble guide rails</li> <li>2. Adjust guides</li> </ol>
Frequent opening of fuses or circuit breakers	<ol style="list-style-type: none"> <li>1. Motor overloaded</li> <li>2. Fuses or circuit breakers do not have sufficient capacity</li> </ol>	<ol style="list-style-type: none"> <li>1. Feed work slower into blade</li> <li>2. Install proper size fuses or circuit breakers</li> </ol>
Material kicked back from blade	<ol style="list-style-type: none"> <li>1. Rip fence out of alignment</li> <li>2. Riving knife/splitter not aligned with blade</li> <li>3. Feeding stock without rip fence</li> <li>4. Splitter not in place</li> <li>5. Dull blade</li> <li>6. Letting go of material before it is past blade</li> <li>7. Anti-kickback fingers dull</li> </ol>	<ol style="list-style-type: none"> <li>1. Align rip fence with miter slot</li> <li>2. Align riving knife/splitter with blade</li> <li>3. Always use rip fence or miter gauge</li> <li>4. Install splitter or riving knife</li> <li>5. Replace blade</li> <li>6. Push material all the way past blade before releasing work</li> <li>7. Replace or sharpen anti-kickback fingers</li> </ol>

## TROUBLESHOOTING (CONTINUED)

<b>SYMPTOM</b>	<b>POSSIBLE CAUSE(S)</b>	<b>CORRECTIVE ACTION</b>
Saw makes unsatisfactory cut	<ol style="list-style-type: none"><li>1. Dull blade</li><li>2. Blade mounted backwards</li><li>3. Gum or pitch on blade</li><li>4. Incorrect blade for cut</li><li>5. Gum or pitch on table</li></ol>	<ol style="list-style-type: none"><li>1. Sharpen or replace blade</li><li>2. Turn blade around</li><li>3. Remove blade and clean</li><li>4. Change blade to correct type</li><li>4. Clean table</li></ol>

# Model 351.221160

## Figure 7 - Replacement Parts Illustration for Table



## REPLACEMENT PARTS LIST FOR TABLE

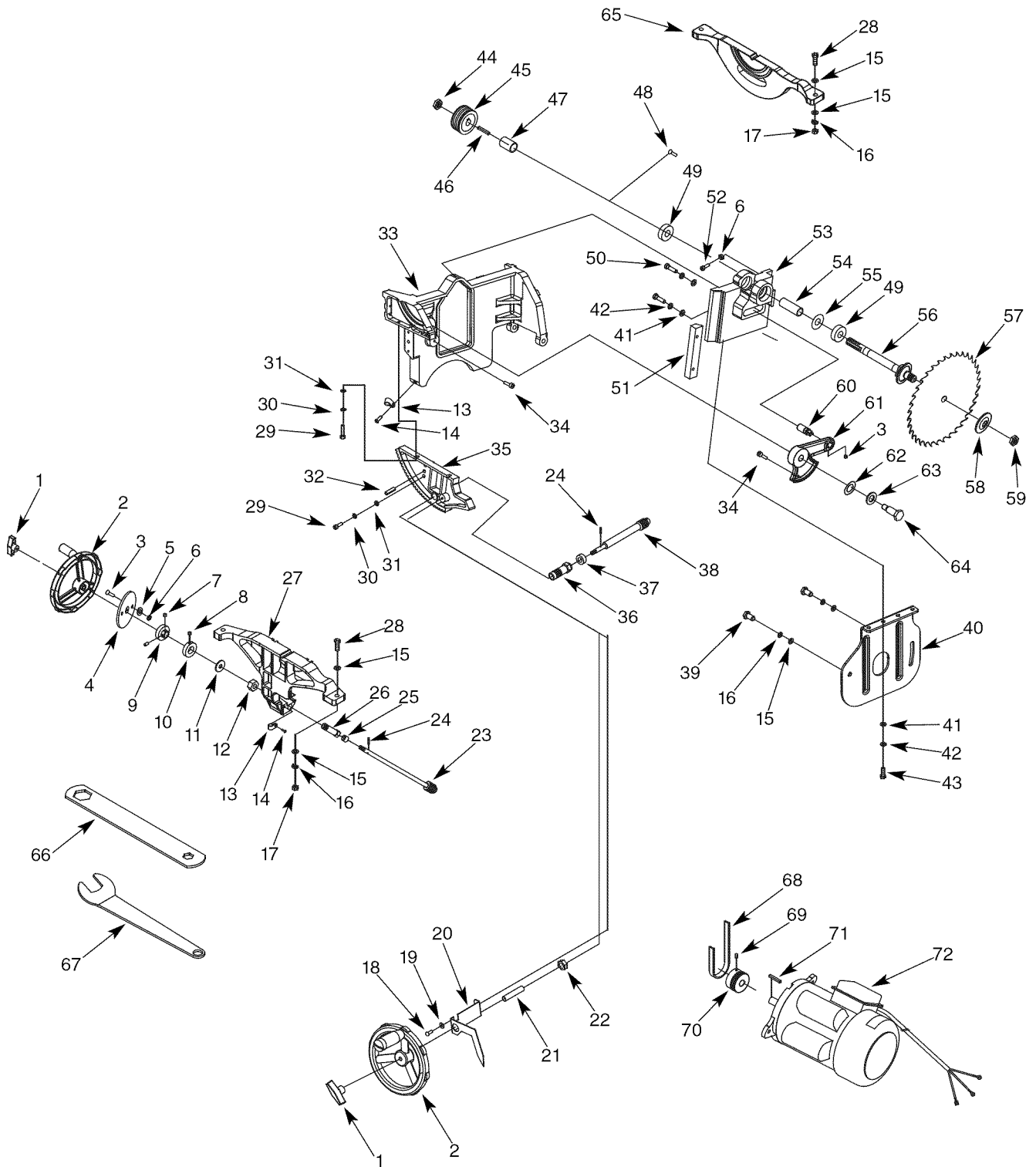
KEY NO.	PART NO.	DESCRIPTION	QTY.
1	31072.00	Miter Gauge Assembly	1
2	31073.00	Left Extension Table	1
3	STD541031	5/8"-18 Hex Nut*	6
4	31074.00	5/8"-18 x 2" Set Screw	6
5	STD852008	8mm Lock Washer*	10
6	STD851008	8mm Flat Washer*	6
7	31075.00	T-Support Bar	4
8	18684.00	8-1.25 x 15mm Set Screw	8
9	04020.00	5/8"-18 x 1" Socket Head Bolt	4
10	31076.00	Spacer	4
11	09847.00	8-1.25 x 30mm Set Screw	1
12	31077.00	Table	1
13	31078.00	5-0.8 x 16mm Slotted Cheese Head Screw	3
14	31079.00	Table Insert	1
15	31080.00	1/4"-28 x 3/8" Nylock Set Screw	5
16	31081.00	8-1.25 x 40mm Set Screw	1
17	31082.00	Bracket	1
18	STD852005	5mm Lock Washer*	2
19	05374.00	5-0.8 x 15mm Socket Head Bolt	2
20	31083.00	Right Extension Table	1
21	STD870620	6-1.0 x 20mm Socket Head Bolt*	2
22	STD852006	6mm Lock Washer*	2
23	STD851006	6mm Flat Washer*	2
24	31084.00	Splitter Support Assembly	1
25	31085.00	Blade Guard Assembly	1
26	31086.00	Switch Paddle	1
27	31087.00	4-0.7 x 25mm Tap Screw	2
28	31088.00	Switch Plate	1
29	31089.00	Switch	1
30	31090.00	Switch Box	1
31	31091.00	Circuit Breaker	1
32	31092.00	Line Cord	1
33	31093.00	Strain Relief	1
34	STD863508	5-0.8 x 8mm Pan Head Screw	2
35	31094.00	4-0.7 x 16mm Tap Screw	4
36	01474.00	5mm Serrated Washer	4
37	STD840508	5-0.8mm Hex Nut*	2
38	STD833010	6-1.0 x 10mm Hex Head Bolt*	2
39	31095.00	Support	1
40	31096.00	Riving Knife	1

\* Standard hardware item available locally.



# Models 351.221160

## Figure 8 - Replacement Parts Illustration for Blade Drive



## REPLACEMENT PARTS LIST FOR BLADE DRIVE

KEY NO.	PART NO.	DESCRIPTION	QTY.
1	31024.00	Lock Knob	2
2	31025.00	Handwheel Assembly	2
3	31026.00	5-0.8 x 25mm Round Head Screw	2
4	31027.00	Tilt Bracket	1
5	31028.00	Spacer	2
6	STD840508	5-0.8mm Hex Nut*	4
7	01043.00	6-1.0 x 8mm Set Screw	3
8	STD502502	¼-20 x ¼" Set Screw	1
9	31029.00	Tilt Collar	1
10	31030.00	Collar	1
11	31031.00	¾" Fiber Washer	1
12	31032.00	¾"-18 Jam Hex Nut	1
13	31033.00	Cord Clamp	2
14	31034.00	5-0.8 x 8mm Round Head Screw	2
15	STD851010	10mm Flat Washer*	10
16	STD852010	10mm Lock Washer*	6
17	STD843015	10-1.5mm Hex Nut*	4
18	STD863616	6-1.0 x 16mm Pan Head Screw*	1
19	00652.00	6mm Flat Washer (W)	1
20	31035.00	Pointer	1
21	31036.00	Spacer	1
22	31037.00	Nut	1
23	31038.00	Tilt Shaft Assembly	1
24	06851.00	4 x 22mm Spring Pin	2
25	31039.00	Sleeve	1
26	31040.00	Eccentric	1
27	31041.00	Front Bracket	1
28	STD863045	10-1.5 x 45mm Hex Head Bolt*	4
29	STD870620	6-1.0 x 20mm Socket Head Bolt*	4
30	STD852006	6mm Lock Washer*	4
31	STD851006	6mm Flat Washer*	4
32	31042.00	8 x 30mm Spring Pin	1
33	N/A	Main Trunnion	1
34	STD833010	6-1.0 x 10mm Hex Head Bolt*	4
35	31043.00	Bracket	1
36	31044.00	Elevation Sleeve	1
37	31045.00	Sleeve	1
38	31046.00	Elevating Shaft Assembly	1
39	STD863025	10-1.5 x 25mm Hex Head Bolt*	2

KEY NO.	PART NO.	DESCRIPTION	QTY.
40	31047.00	Motor Support Bracket	1
41	STD851008	8mm Flat Washer*	6
42	STD852008	8mm Lock Washer*	6
43	STD835020	8-1.25 x 20mm Hex Head Bolt*	4
44	STD541231	¾"-18 Jam Hex Nut	1
45	31048.00	Arbor Pulley	1
46	07215.00	5 x 5 x 15mm Key	1
47	31049.00	Spacer	1
48	STD863512	5-0.8 x 12mm Pan Head Screw	3
49	07061.00	6004ZZ Ball Bearing	1
50	STD835030	8-1.25 x 30mm Hex Head Bolt*	2
51	31051.00	Gib	1
52	31052.00	5-0.8 x 25mm Hex Head Bolt	2
53	31053.00	Arbor Support Bracket	1
54	31054.00	Arbor Sleeve	1
55	31055.00	Wavy Washer	1
56	31056.00	Arbor	1
57	27719.00	Blade	1
58	31058.00	Flange	1
59	31059.00	Flange Nut	1
60	31060.00	Elevation Pin	1
61	31061.00	Pintle	1
62	31062.00	Wavy Washer	1
63	31063.00	Spacer	1
64	31064.00	Pivot Bolt	1
65	31065.00	Rear Bracket	1
66	31066.00	Box Wrench	1
67	31067.00	Open End Wrench	1
68	31068.00	Drive Belt	1
69	STD502503	¼-20 x ¾" Set Screw	1
70	31069.00	Motor Pulley	1
71	02472.00	5 x 5 x 36mm Key	1
72	31070.00	Motor	1
Δ	31071.00	Hex Wrench Set	1
Δ	31097.00	Motor Starter Capacitor	1
Δ	31098.00	Motor Run Capacitor	1
Δ	31296.00	Push Stick	1
Δ	30981.01	Operator's Manual	1

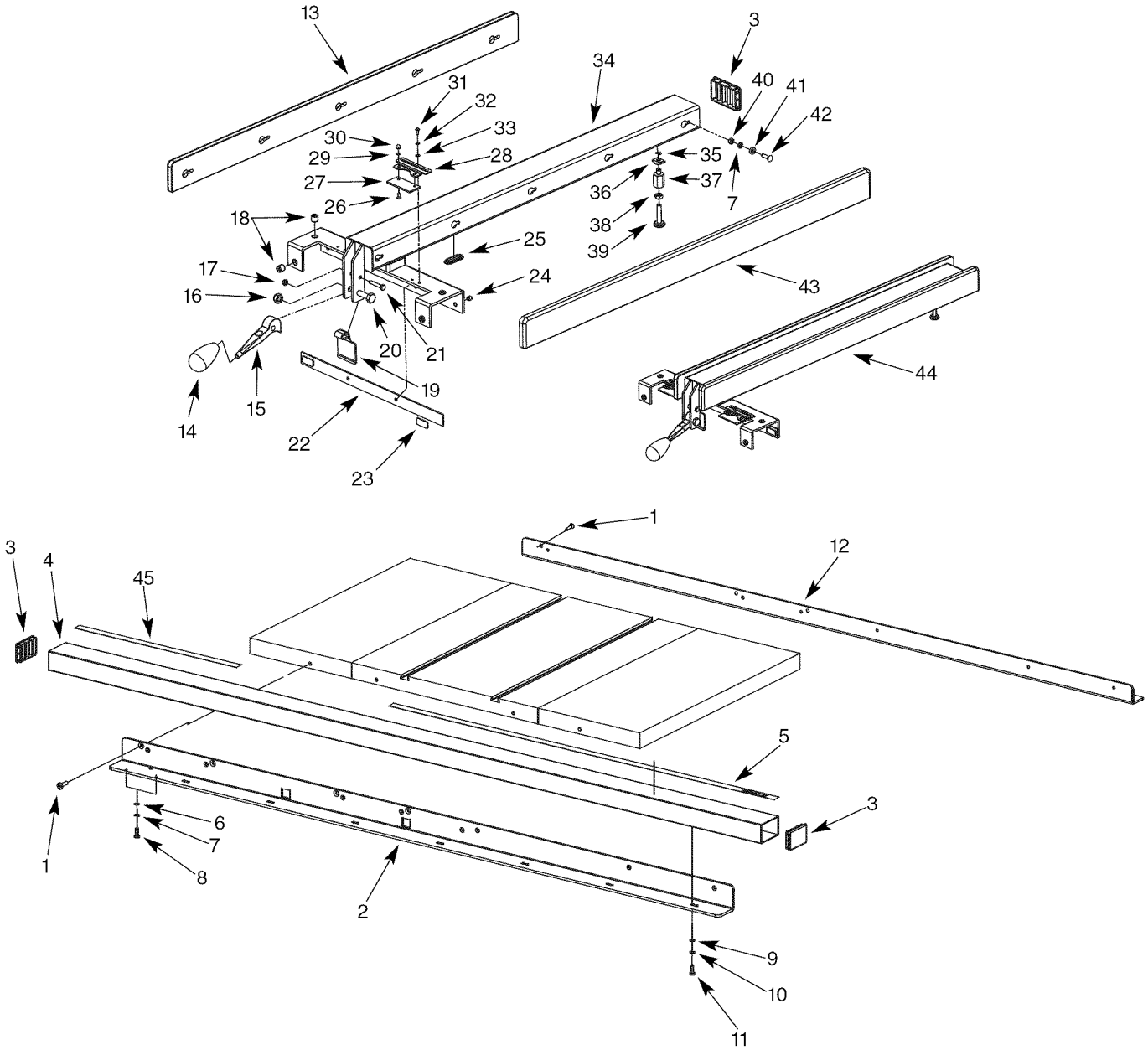
\* Standard hardware item available locally

N/A Not available as replacement part

Δ Not Shown

# Models 351.221160

## Figure 9 - Replacement Parts Illustration for Rip Fence and Rails



## REPLACEMENT PARTS LIST FOR RIP FENCE AND RAILS

KEY NO.	PART NO.	DESCRIPTION	QTY.
1	STD523110	5/16"-18 x 1" Hex Head Bolt*	8
2	30983.00	Front Rail	1
3	31003.00	Cap	3
4	31004.00	Guide Rail	1
5	31005.00	Scale (Right)	1
6	STD851006	6mm Flat Washer*	2
7	STD852006	6mm Lock Washer*	12
8	STD833010	6-1.0 x 10mm Hex Head Bolt*	2
9	STD551025	1/4" Flat Washer*	5
10	STD551125	1/4" Lock Washer*	5
11	STD522507	1/4"-20 x 3/4" Hex Head Bolt*	5
12	31006.00	Rear Rail	1
13	31007.00	Left Side Fence Plate	1
14	31008.00	Knob Assembly	1
15	31009.00	Cam Lock Handle	1
16	STD843015	10-1.5mm Fiber Hex Nut*	1
17	STD843610	6-1.0mm Fiber Hex Nut*	1
18	31010.00	Nylon Set Screw	4
19	31011.00	Lock Bracket	1
20	STD837040	10-1.5 x 40mm Hex Head Bolt*	1
21	STD833035	6-1.0 x 35mm Hex Head Bolt*	1
22	31012.00	Clamp	1
23	31013.00	Slide Pad	2
24	00958.00	8-1.25 x 8mm Set Screw	2
25	31014.00	Plug	8
26	05167.00	4-0.7 x 10mm Flat Head Screw	4
27	31015.00	Lens	2
28	31016.00	Lens Bracket	2
29	05156.00	4mm Serrated Washer*	4
30	STD845407	4mm Cap Nut*	4
31	STD863408	4-0.7 x 8mm Pan Head Screw	4
32	STD852004	4mm Lock Washer*	4
33	STD851004	4mm Flat Washer*	4
34	N/A	Fence Body Assembly	1
35	01203.00	3CMI-5 E-Ring	1
36	31017.00	Square Nut	1
37	31018.00	Block Screw	1
38	STD840812	8-1.25mm Hex Nut*	1
39	31019.00	Foot Assembly	1
40	STD840610	6-1.0mm Hex Nut*	10
41	31020.00	Spacer	10
42	31021.00	6-1.0 x 22mm Carriage Head Bolt	10
43	31022.00	Right Side Fence Plate	1
44	31023.00	Complete Rip Fence Assembly	1
45	31050.00	Scale (Left)	1

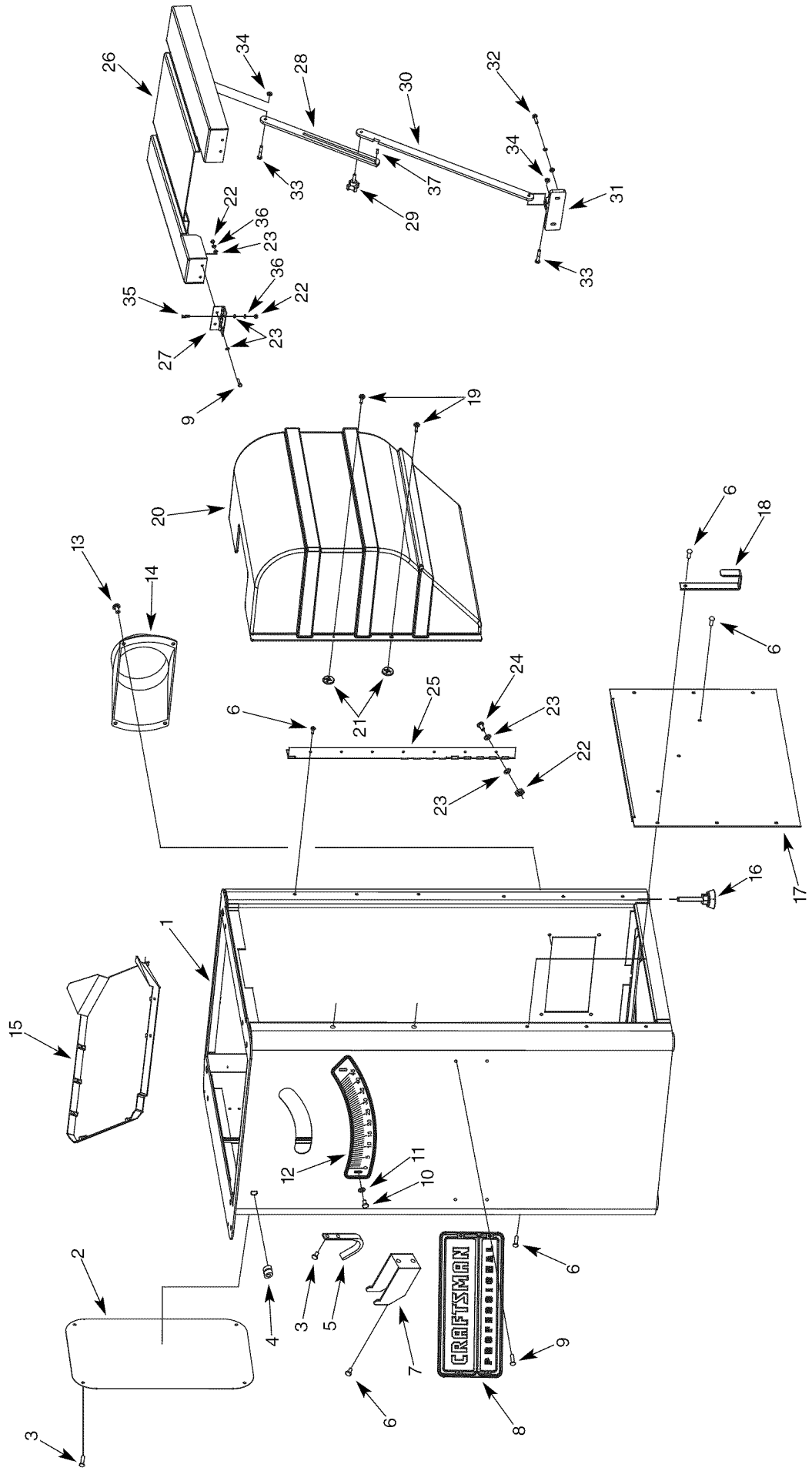
\* Standard hardware item available locally.

N/A Not available as replacement part.

△ Not shown.

Models 351.221160

Figure 10 - Replacement Parts Illustration for Cabinet



## REPLACEMENT PARTS LIST FOR CABINET

KEY NO.	PART NO.	DESCRIPTION	QTY.
1	N/A	Cabinet Assembly	1
2	30984.00	Access Panel	1
3	30985.00	4-0.7 x 8mm Tap Screw	8
4	30986.00	Strain relief	1
5	30987.00	Wrench Hook	2
6	30988.00	¼-20 x ¾" Tap Screw	16
7	30989.00	Fence Bracket	2
8	30990.00	Logo Plate	1
9	05383.00	5-0.8 x 16mm Hex Head Bolt	8
10	30991.00	Screw	2
11	30992.00	4mm Flat Washer*	2
12	30993.00	Tilt Scale	1
13	30994.00	¼-20 x ½" Tap Screw	4
14	30995.00	Dust Port	1
15	30996.00	Dust Chute	1
16	30997.00	Leveling Foot	4
17	30998.00	Side Panel	1
18	30999.00	Miter Gauge Hook	2
19	STD863512	5-0.8 x 12mm Pan Head Screw*	2

KEY NO.	PART NO.	DESCRIPTION	QTY.
20	31000.00	Motor Cover	1
21	31001.00	Clip	2
22	STD840508	5-0.8mm Hex Nut*	16
23	STD851005	5mm Flat Washer*	20
24	01090.00	5-0.8 x 15mm Pan Head Screw*	4
25	31002.00	Hinge	1
26	31099.00	Outfeed Table	1
27	31100.00	Hinge	2
28	31101.00	Upper Support Bar	1
29	31102.00	Clamp Knob	1
30	31103.00	Lower Support Bar	1
31	31104.00	Support Retainer	1
32	STD833025	6-1.0 x 25mm Hex Head Bolt*	2
33	STD833035	6-1.0 x 35mm Hex Head Bolt*	2
34	STD843610	6-1.0mm Fiber Hex Nut*	2
35	07493.00	5-0.8 x 16mm Flat Head Screw	4
36	STD852005	5mm Lock Washer*	8
37	01201.00	4 x 16mm Spring Pin	1

\* Standard hardware item available locally.

N/A Not available as repair part.

Δ Not Shown

# SIERRA DE MESA HIBRIDA DE ALTA CALIDAD DE 10"

Modelo No.  
**351.221160**

**PRECAUCION:** Lea y siga todas las Reglas de Seguridad e Instrucciones de Operación antes de utilizar este producto por primera vez. Mantenga este manual junto con la herramienta.

## CONTENIDO

Inglés .....	2-17
Ilustración y Lista de Partes .....	18-25
Garantía .....	26
Reglas de Seguridad .....	26-29
Desempaque .....	29-30
Montaje .....	30-33
Instalación .....	33-34
Operación .....	34-38
Mantenimiento .....	38-39
Acuerdo de Protección de Reparación .....	39
Identificación de Problemas .....	42-43

## GARANTIA

### GARANTIA COMPLETA PARA HERRAMIENTA PROFESIONAL CRAFTSMAN

Si esta herramienta Profesional Craftsman fallara por causa de defectos en el material o en la mano de obra en un lapso de un año a partir de la fecha de compra, LLAME al 1-800-4-MY-HOME® PARA SOLICITAR LA REPARACION GRATUITA DEL PRODUCTO (o su reemplazo si no se puede reparar la unidad).

Esta garantía no cubre la hoja de la sierra, la cual es una parte desechable.

Esta garantía le otorga derechos legales específicos y también puede usted tener otros derechos que varíen de estado a estado.

**Sears, Roebuck and Co., Hoffman Estates, IL 60179**

## REGLAS DE SEGURIDAD

**ADVERTENCIA:** Por su propia seguridad, lea todas las instrucciones y precauciones antes de manejar la herramienta.

**ADVERTENCIA DE LA PROPOSICION 65:** Parte del polvo producido por las operaciones de lijado, serrado, esmerilado y taladrado realizadas con herramientas eléctricas y otras actividades de construcción contiene sustancias químicas que el estado de California reconoce como causantes de cáncer, malformaciones congénitas u otros daños reproductivos.

Algunos ejemplos de estas sustancias químicas son:

- Plomo proveniente de pinturas con base de plomo.

- Sílice cristalino proveniente de ladrillos, cemento y otro material de mampostería.
- Arsénico y cromo proveniente de madera químicamente tratada.

El riesgo debido a la exposición a estas sustancias químicas depende de la frecuencia con la cual realice este tipo de trabajo. Para reducir la exposición a estas sustancias químicas: trabaje en un área bien ventilada y utilice equipo de seguridad aprobado. Cuando trabaje con este tipo de herramientas, siempre utilice una máscara para la cara o respirador adecuadamente ajustados, aprobados por **OSHA/NIOSH**.

**PRECAUCION:** Siempre siga los procedimientos de operación correctos, tal como se definen en este manual, aun cuando esté familiarizado con el uso de ésta o de otras herramientas similares. Recuerde que descuidarse aunque sólo sea por una fracción de segundo puede ocasionarle graves lesiones.

### EL OPERADOR DEBE ESTAR PREPARADO PARA EL TRABAJO

- Use ropa apropiada. No use ropa holgada, guantes, corbatas, anillos, pulseras ni otras joyas que puedan atascarse en las partes móviles de la máquina.
- Use una cubierta protectora para el cabello, para sujetar el cabello largo.
- Use zapatos de seguridad con suelas antideslizantes.
- Use gafas de seguridad que cumplan con la norma ANSI Z87.1 de los Estados Unidos. Los anteojos comunes tienen lentes que sólo son resistentes al impacto. **NO** son gafas de seguridad.
- Use una máscara para la cara o una máscara contra el polvo, si al utilizar la herramienta se produce mucho polvo.
- Esté alerta y piense claramente. Nunca maneje herramientas mecánicas cuando esté cansado, intoxicado o bajo la influencia de medicación que produzca somnolencia.

### PREPARE EL AREA DE TRABAJO PARA LA TAREA A REALIZAR

- Mantenga el área de trabajo limpia. Las áreas de trabajo desordenadas atraen accidentes.
- No use herramientas mecánicas en ambientes peligrosos. No use herramientas mecánicas en lugares húmedos o mojados. No exponga las herramientas mecánicas a la lluvia.
- El área de trabajo debe estar iluminada adecuadamente.
- Mantenga a los visitantes a una distancia prudente del área de trabajo.
- Mantenga a los niños fuera del lugar de trabajo. Haga que su taller sea a prueba de niños. Use candados, interruptores maestros y extraiga las llaves del arrancador para impedir cualquier uso involuntario de las herramientas mecánicas.
- Evite que los cordones de alimentación entren en contacto con objetos afilados, aceite, grasa y superficies calientes.

### SE DEBE DAR MANTENIMIENTO A LA HERRAMIENTA

- Desenchufe siempre la herramienta antes de inspeccionarla.
- Consulte el manual para informarse sobre los procedimientos de mantenimiento y ajuste específicos.
- Mantenga la herramienta lubricada y limpia de modo que funcione de la manera más segura.
- Retire las herramientas de ajuste. Desarrolle el hábito de verificar que hayan sido retiradas las herramientas de ajuste antes de encender la máquina.
- Mantenga todas las partes en buena condición de funcionamiento. Revise el protector u otras piezas para determinar si funcionan correctamente y hacen el trabajo que deben hacer.

- Revise para ver si hay partes dañadas. Verifique el alineamiento de las partes móviles, si hay atascamiento, roturas y montaje o cualquier otra condición que pudiera afectar el funcionamiento de la herramienta.
- Si una protección o cualquier otra parte está dañada, éstas deben repararse correctamente o reemplazarse. No haga reparaciones provisionales (vélgase de la lista de piezas incluida para solicitar piezas de reemplazo).
- Mantenga bien ajustados el reborde para serrar a lo largo y la protección de la hoja.
- Nunca ajuste la sierra mientras está en funcionamiento. Desconecte la energía eléctrica para evitar que la herramienta se encienda por accidente.
- Cambie inmediatamente los cordones de alimentación dañados o desgastados.
- Mantenga la hoja afilada para obtener un funcionamiento seguro y eficiente.

## EL OPERADOR DEBE SABER COMO USAR LA HERRAMIENTA

- Use la herramienta correcta para cada trabajo. No fuerce la herramienta ni el accesorio para realizar una tarea para la cual no han sido diseñados.
- Cuando cambie la hoja, desconecte la herramienta.
- Evite que la herramienta se encienda accidentalmente. Asegúrese que el interruptor de la herramienta esté en la posición "off" (apagado) antes de enchufarla y encienda la desconexión de seguridad o active los interruptores.
- No fuerce la herramienta. Funcionará en la forma más eficaz a la velocidad para la cual se diseñó.
- Mantenga las manos alejadas de la hoja, de las partes móviles y de la superficie de corte.
- Nunca deje desatendida una herramienta en funcionamiento. Desconéctela y no abandone el lugar hasta que se haya detenido por completo.
- No trate de alcanzar demasiado lejos. Manténgase firme y equilibrado.
- Nunca se coloque de pie sobre la herramienta. Se pueden producir lesiones graves si la herramienta se vuelca o se hace contacto con la hoja en forma accidental.
- Conozca su herramienta. Aprenda a manejar la herramienta, su aplicación y limitaciones específicas.
- Maneje la pieza de trabajo en forma correcta. Presiónela firmemente contra la mesa. Protéjase las manos de posibles lesiones.
- Apague la máquina si se atasca. La hoja se atasca si se introduce muy profundamente en la pieza de trabajo (la fuerza del motor la mantiene trabada en la pieza de trabajo).
- Alimente la pieza de trabajo en la hoja únicamente como se recomienda en la sección "Operación".

**ADVERTENCIA:** Para su propia seguridad, no opere la sierra sino hasta que esté completamente montada e instalada de acuerdo con las instrucciones.

## ESTABILIDAD DE LA SIERRA

La sierra deberá fijarse con pernos en aquellos casos en que exista la tendencia de que la sierra se incline o se mueva durante ciertas operaciones de corte, tal como cuando se cortan paneles muy pesados o tablas largas y pesadas. Si se fija cualquier clase de extensión de más de 24 pulg. de ancho a cualquier extremo de la sierra, asegúrese de sujetar la herramienta al piso mediante pernos o de utilizar un soporte en el extremo exterior de la extensión, ya sea partiendo de la mesa o del piso, según sea adecuado.

## UBICACION

La sierra se debe colocar de modo que ni el operador ni el observador despreocupado tengan que pararse en línea con la hoja de la sierra.

## CONTRAGOLPES

El contragolpe se da durante una operación en la que se hace un corte a lo largo, y ocurre cuando una parte o toda la pieza de trabajo es impulsada hacia atrás violentamente y en dirección del operador.

Mantenga la cara y el cuerpo a un lado de la hoja de la sierra, fuera de la trayectoria de un posible contragolpe.

Al observar las siguientes recomendaciones se pueden evitar los contragolpes y las posibles lesiones que ocasionan:

- Mantener el reborde para serrar a lo largo paralelo a la hoja de la sierra.
- Mantener afilada la hoja de la sierra. Cambiar o afilar los retenes anticongolpes cuando las puntas no tengan filo.
- Mantener bien colocados y en condiciones de funcionamiento la protección de la hoja de la sierra, el separador y los retenes anticongolpes. El separador tiene que estar alineado con la hoja de la sierra y los retenes tienen que parar un contragolpe una vez que éste se ha iniciado. Antes de serrar a lo largo, revise que estos funcionen debidamente.
- No serrar al hilo piezas de trabajo que estén torcidas o combadadas o que no tengan un borde recto para guiarlas a lo largo del reborde.
- No soltar la pieza de trabajo hasta que usted la haya empujado más allá de la hoja de la sierra.
- Si se usa un palo de empuje para serrar a lo largo anchuras inferiores a 6 pulg.
- No confinar la pieza de corte cuando se está serrando a lo largo o haciendo cortes transversales.

## PROTECCION: OJOS, MANOS, CARA, CUERPO Y OIDOS

- Si falla o falta alguna pieza de la sierra, o si se ha quebrado o dañado (tal como el interruptor del motor, los controles electrónicos, otros controles de funcionamiento, un dispositivo de seguridad o un cordón de alimentación), suspenda inmediatamente el funcionamiento de la herramienta hasta que la pieza en cuestión sea reparada o reemplazada correctamente.
- Use gafas de seguridad que cumplen con la norma ANSI Z87.1 de los Estados Unidos y una máscara para la cara o una máscara contra el polvo, si al utilizar la sierra se produce mucho polvo. Use audífonos u orejeras al utilizar la herramienta durante períodos prolongados.
- Es posible que ciertos trozos de madera pequeños u otros objetos que entren en contacto con la parte posterior de la hoja giratoria salgan disparados hacia atrás, en dirección del operador, a una velocidad excesiva. Generalmente, esto se puede evitar manteniendo la protección y el separador en su lugar al realizar todo tipo de operaciones de corte completo (cuando se sierra completamente a todo el grosor de la pieza de trabajo), y si se retiran de la mesa todas las piezas sueltas inmediatamente después de cortarlas, utilizando para ello un palo de madera largo.
- Tenga mucho cuidado al retirar el conjunto de la protección para volver a serrar, ranurar o rebajar; reinstale la protección nuevamente tan pronto como haya completado esas operaciones.
- Nunca encienda la sierra si aún no ha despejado de la mesa todas las herramientas, restos de madera, etc.; sólo debe haber sobre ella la pieza de trabajo y los demás dispositivos de alimentación o soporte relacionados con la operación que se va a realizar.

- Nunca ponga la cara o el cuerpo en línea con la herramienta cortadora.
- Nunca ponga los dedos o manos en la trayectoria de la hoja de la sierra o de otra herramienta cortadora.
- Cuando se sierra a lo largo o se realicen operaciones similares, el extremo siguiente de una pieza de trabajo a la cual se le aplica un bastón o madero de empuje, deberá ser cuadrado (perpendicular con el reborde) a fin de que la presión de alimentación aplicada a la pieza mediante el bastón o bloque de empuje, no haga que ésta se retire del reborde y surja la posibilidad de un contragolpe.
- Durante el corte a lo largo u otros cortes de ese tipo, se tiene que sujetar la pieza de trabajo contra la mesa y el reborde, utilizando para ello un bastón o bloque de empuje o una tabla de cuña, según corresponda (véanse las Figuras 1a y 1b en las páginas 28 y 29).

Los ejemplos de palo de empuje y bloque de empuje que se muestran abajo son útiles para mantener las manos y los dedos lejos de la hoja de la sierra durante las operaciones de serrado longitudinal, rebajadura y ranuración. Aplique presión hacia abajo y empuje la pieza de trabajo a través del corte hasta que pase las hojas de sierra. Es posible que varias otras configuraciones sean adecuadas para una operación segura.

Las tablas de cuña se utilizan para mantener la pieza de trabajo en contacto con la mesa o el reborde para serrar a lo largo durante la operación de corte. El uso de las tablas de cuña puede ayudar a impedir los contragolpes y los atascamientos. Se recomienda utilizar tablas de cuña en todas las operaciones de "serramiento no a través".

- Nunca alcance hacia la parte posterior de la herramienta cortadora con cualquiera de las manos para sujetar o sostener la pieza de trabajo, retirar los restos de madera o por cualquier otra razón. Evite operaciones difíciles y no coloque las manos en sitios donde pudieran resbalarse ocasionando que los dedos o toda la mano se muevan hacia la hoja de la sierra o la herramienta cortadora.
- No disponga, monte ni prepare el trabajo en la mesa mientras la herramienta cortadora está girando.
- No haga ninguna operación a mano libre, siempre utilice el reborde para serrar a lo largo o la guía de ingletes para situar y guiar la pieza de trabajo.
- Nunca use el reborde para serrar a lo largo cuando haga cortes transversales, ni utilice la guía de ingletes cuando esté serrando a lo largo. No use el reborde como un tope longitudinal. Nunca sujete ni toque el extremo libre de la pieza de trabajo o de una pieza libre que se haya cortado, mientras la energía eléctrica esté conectada y/o la hoja de la sierra esté girando.
- Apague la sierra y desconecte la fuente de energía eléctrica cuando vaya a retirar el inserto de la mesa, cambiar la herramienta cortadora, retirar o reemplazar la protección de la hoja o realizar cualquier tipo de ajustes.
- Para evitar el uso no autorizado de la herramienta, bloquee el interruptor de encendido con el candado suministrado.
- Cuando corte piezas de trabajo anchas o largas, coloque el soporte adecuado en la parte posterior y en los lados de la mesa de la sierra.
- Los materiales de plástico y compuestos (como madera prensada) se pueden cortar en su sierra. Sin embargo, dado que estos materiales normalmente son bastante duros y resbaladizos, es posible que los retenes anticongolpes no detengan el contragolpe. Por lo tanto, preste atención especial y siga los procedimientos de preparación y corte correctos para serrar a lo largo. No se pare, ni permita que nadie más se pare en la línea de un posible contragolpe.
- Si la hoja de la sierra se para o atasca en la pieza de trabajo, apague la sierra y extraiga la pieza de trabajo de la hoja de la

sierra. Revise que la hoja de la sierra esté paralela a las ranuras de la guía de ingletes y que el separador esté bien alineado con la hoja de la sierra. Si se está serrando a lo largo en ese momento, revise si el reborde para esta aplicación está paralelo con la hoja de la sierra. Vuelva a ajustarlo si es necesario.

- Mientras la sierra esté en funcionamiento no retire las piezas pequeñas del material cortado que hayan quedado atrapadas dentro de la protección de la hoja. Esto puede poner en peligro sus manos o producir contragolpes. Apague la sierra y espere hasta que la hoja se detenga por completo.
- Tenga especial cuidado cuando corte a lo largo madera con veta torcida o madera que esté torcida o combada, ya que podría moverse en la mesa y presionar la hoja de la sierra.

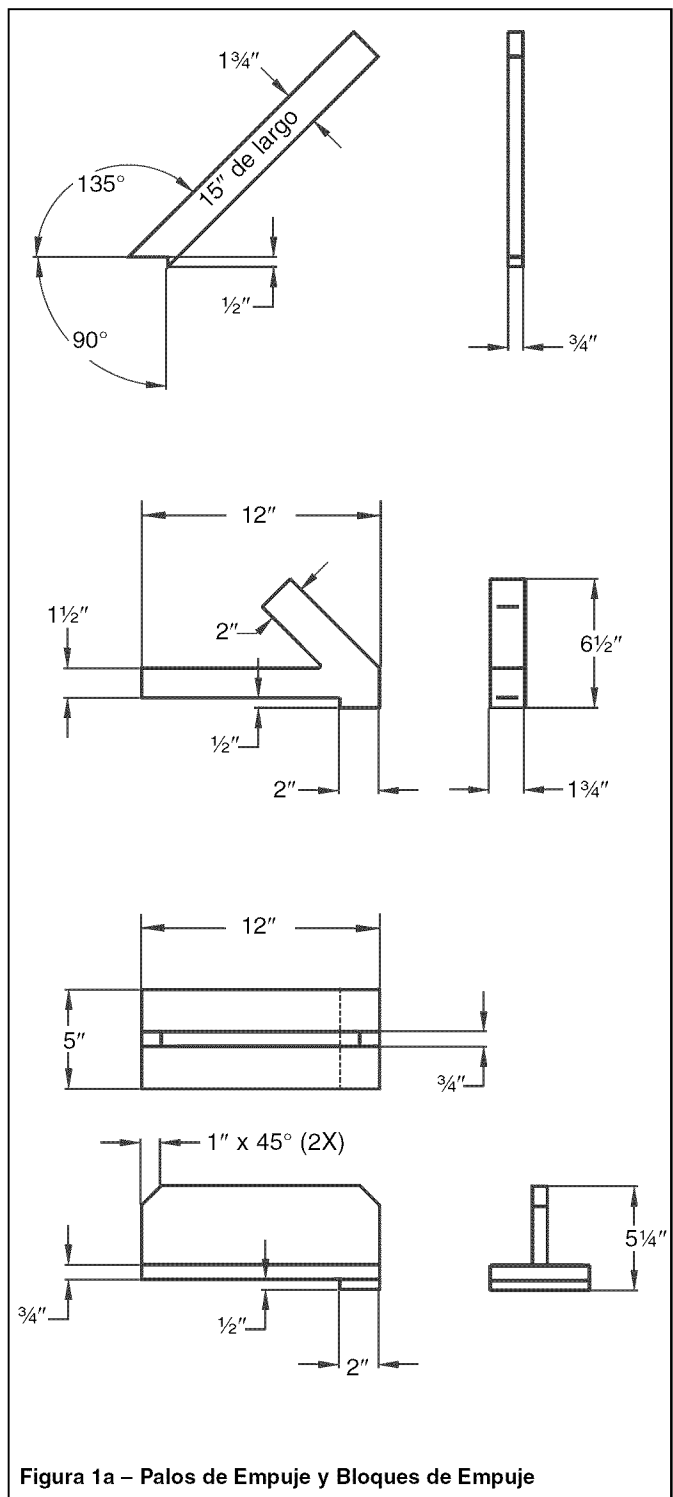


Figura 1a – Palos de Empuje y Bloques de Empuje

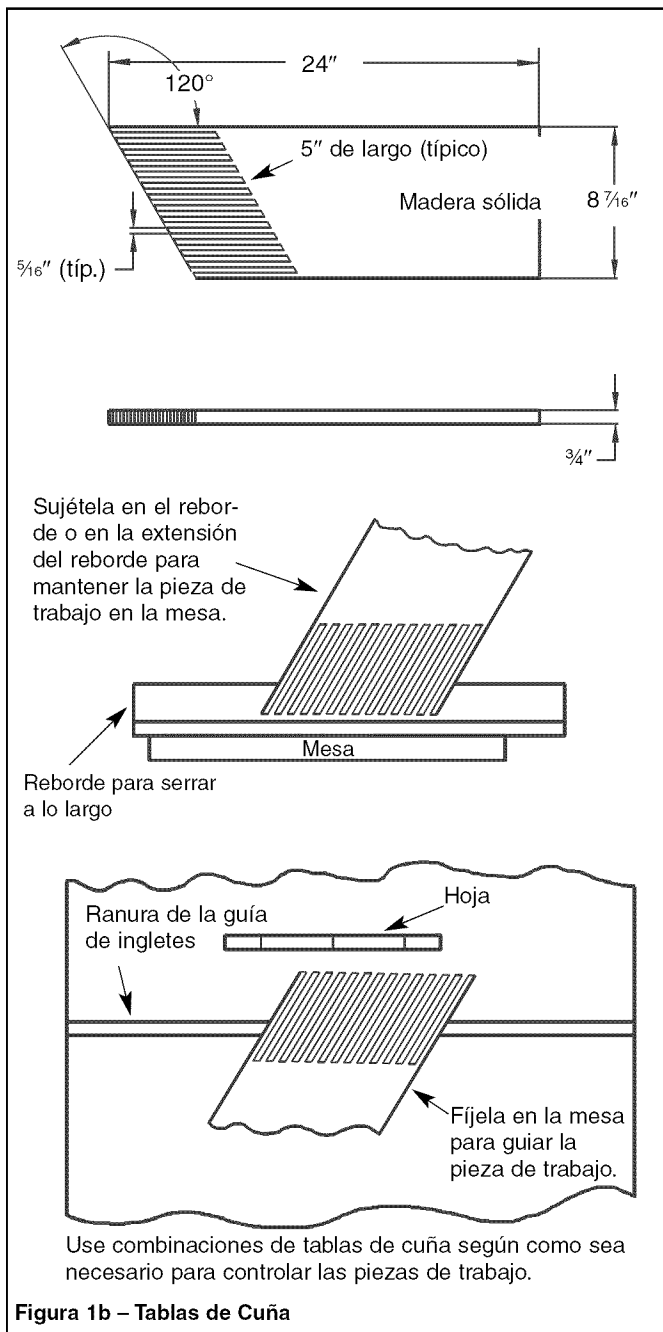


Figura 1b – Tablas de Cuña

### CONOZCA SUS HERRAMIENTAS CORTADORAS

- Las herramientas cortadoras desafiladas, gomosas, mal afiladas o mal preparadas pueden hacer que el material se pegue, se atasque, pare la sierra o le dé un contragolpe al operador. Reduzca a un mínimo la posibilidad de lesiones teniendo el cuidado adecuado y dando el mantenimiento correcto a las herramientas.

**ADVERTENCIA:** Nunca trate de liberar una hoja de sierra que se ha parado sin apagar la sierra primero.

- Nunca use ruedas esmeriladoras, de corte abrasivas, de fricción (hojas cortadoras de metal) de cables o pulimentadoras.

### UTILICE SOLO ACCESORIOS DISEÑADOS PARA LA SIERRA

- Las operaciones de corte transversal se pueden realizar de manera más conveniente y segura si se coloca un refrentado de madera auxiliar en la guía de ingletes, sujetándolo mediante los agujeros proporcionados. Sin embargo, el refrentado no debe interferir con el funcionamiento correcto de la protección de la hoja de la sierra.
- Asegúrese que la parte superior del árbol o que la herramienta cortante giren hacia usted cuando esté colocada en la posición normal. También asegúrese que la herramienta cortadora, la pestaña de la hoja y la tuerca del árbol estén instaladas correctamente. Mantenga la herramienta cortadora tan baja como sea posible para la operación que se está llevando a cabo. Mantenga todas las protecciones en su lugar siempre que sea posible.
- No use hojas ni otras herramientas cortadoras marcadas para velocidades de funcionamiento de menos de 4000 RPM. Nunca use una herramienta cortadora con un diámetro mayor a aquel para el que la sierra fuera diseñada. Para lograr una mayor seguridad y eficiencia cuando se asierre a lo largo, use la hoja del diámetro máximo para la que la sierra fuera diseñada, dado que bajo estas condiciones el separador se encuentra lo más cerca posible de la hoja.
- Ajuste los insertos para la mesa al ras con la parte superior de ésta. Nunca opere la sierra a menos que se instale el inserto correcto.
- Nunca alimente el material en la herramienta cortadora desde la parte posterior de la sierra. Puede suceder un accidente o producirse lesiones graves.

### PIENSE EN LA SEGURIDAD

La seguridad es el resultado de una combinación entre el sentido común del operador y el mantenerse alerta en todo momento mientras se esté utilizando la sierra.

Nunca use a otra persona como sustituto para la extensión de la mesa o para soporte adicional para una pieza de trabajo que sea más larga o más ancha que la mesa básica de la sierra. Tampoco le pida que lo ayude a alimentar, sostener, o halar la pieza de trabajo.

No hale la pieza de trabajo a través de la hoja de la sierra; colóquese a un lado de la entrada de la protección; luego comience y complete el corte desde el mismo lado. Esto requerirá un soporte adicional para la mesa para las piezas de trabajo largas o anchas que se extienden más allá de la longitud o el ancho de la mesa de la sierra.

**PRECAUCION:** Siga las instrucciones de seguridad que aparecen en la parte frontal de su sierra.

### DESEMPAQUE

Consulte la Figura 2 en la página 30.

**PRECAUCION:** No intente hacer el montaje si hay partes que faltan. Válgase de este manual para solicitar partes de repuesto.

Verifique que no hayan ocurrido daños durante el envío y que no falten partes. Si hay partes que faltan o están dañadas, llame al 1-800-266-9079 para obtener piezas de reemplazo.

La sierra se envía completa en dos cajas. La sierra de mesa viene parcialmente montada como una unidad en la primera caja. Será necesario localizar y ver que no falten las partes adicionales que deben montarse en la sierra, antes de instalarlas:

- Conjunto de la protección de la hoja de la sierra
- Barra de soporte (4)
- Guía de ingletes
- Llave de cubo

- E Llave de extremo abierto
- F Cuchillo divisor
- G Orificio de salida del polvo
- H Conjunto de la rueda manual (2)
- I Manilla de fijación de la rueda manual (2)
- J Gancho (2)
- K Gancho del reborde guía (2)
- L Mesa de extensión (2)
- M Conjunto de la mesa de salida
- N Bisagra (2)
- O Manilla de fijación
- P Barra de soporte superior
- Q Barra de soporte inferior
- R Retenedor de soporte

- Bolsa de artículos de ferretería No. 1 (no se muestra)
- Perno de cabeza hexagonal, M6 x 10mm (2)
- Arandela de seguridad M6 (2)
- Arandela plana M6 (2)
- Bolsa de artículos de ferretería No. 2 (no se muestra)
- Tornillo de cabeza hexagonal, ¼-20 x ¾" (5)
- Arandela de seguridad, ¼" (5)
- Arandela plana, ¼" (5)
- Bolsa de artículos de ferretería No. 3 (no se muestra)
- Tornillo de cabeza plana, 5/16-18 x 5/8" (8)

- V Tapa (3)
- X Manilla
- Escala (no se muestra)
- Bolsa de artículos de ferretería No. 4 (no se muestra)
- Tornillo de fijación de hexagonal de nylon, ½-13 x ¾" (2)
- Bolsa de artículos de ferretería No. 5 (no se muestra)
- Palos de Empuje (no se muestra)

## MONTAJE

Refiérase a las Figuras 3, 7, 8, 9 y 10.

**PRECAUCION:** No intente hacer el montaje si hay partes que faltan. Válgase de este manual para solicitar partes de repuesto.

Asegúrese que todas las partes estén limpias y sin los agentes conservadores que se usaron durante el envío. También, extraiga todas las partes o piezas de la caja de madera y del empaque. El armario de la sierra debe colocarse directamente en el piso.

### INSTALACION DE LA SIERRA

Si se coloca la sierra en una superficie nivelada (podrían necesitarse calzos), se mejorará la estabilidad y la precisión y se evitarán las combaduras y los fallos de los componentes fundidos y las soldaduras. Nivele la sierra usando calzas o montajes para la máquina. La base de la sierra estacionaria viene con cuatro agujeros de montaje. Estos están ubicados dentro de la cavidad de color naranja. Use estos agujeros para fijar la sierra estacionaria en el piso. Esta sierra debe anclarse permanentemente en el piso. Esto disminuirá la vibración y aumentará la estabilidad.

### CONJUNTO DEL ORIFICIO DE SALIDA DE POLVO

Consulte la Figura 10.

**ADVERTENCIA:** Asegúrese que la sierra esté desconectada de la fuente de alimentación.

- Instale la salida del polvo (Clave No. 14) en la abertura en la parte inferior posterior del armario con cuatro tornillos de ¼-20 x ½" (Clave No. 13).

### CONJUNTO DE LA RUEDA MANUAL

Consulte la Figura 8.

**ADVERTENCIA:** Asegúrese que la sierra esté desconectada de la fuente de alimentación.

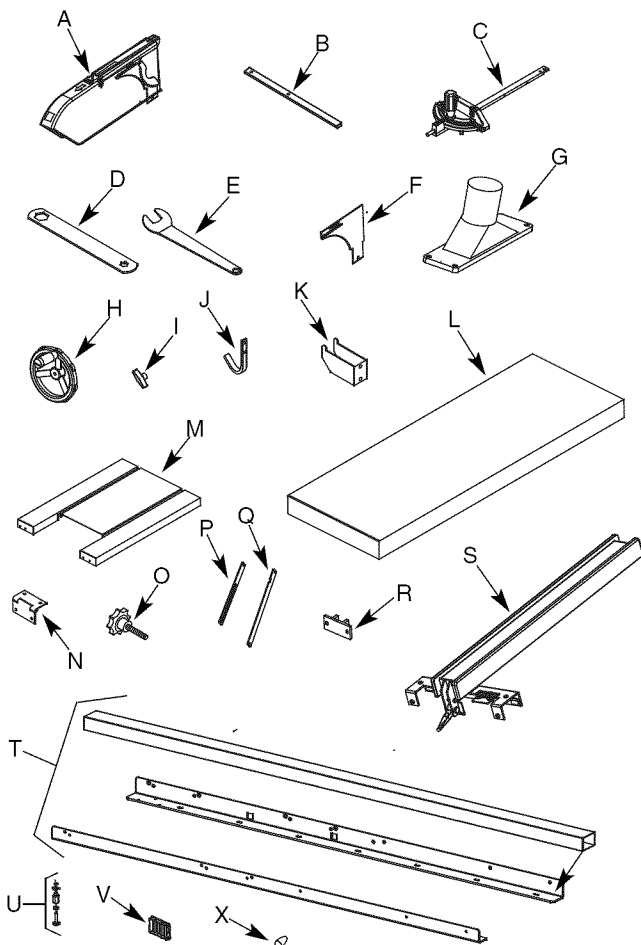
- Coloque una de las ruedas manuales (Clave No. 2) en el eje para elevar o bajar la hoja (Clave No. 38) que se encuentra en el frente del armario. Alinee la ranura en la parte posterior de la rueda manual con el pasador.
- Enrosque la manilla de fijación (Clave No. 1) en el extremo roscado del eje.
- Repita los pasos anteriores para montar la rueda manual y manilla de fijación restantes en el eje de bisel que se encuentra en un lado del armario.

### CONJUNTO DE GANCHO DE HERRAMIENTA Y DE REBORDE GUIA

Consulte la Figura 10.

**ADVERTENCIA:** Asegúrese que la sierra esté desconectada de la fuente de alimentación.

- Monte los dos ganchos del reborde guía (Clave No. 7) en el lado izquierdo del armario (Clave No. 1) usando cuatro tornillos de cabeza redonda de ¼-20 x ¾" (Clave No. 6).
- Monte ambos ganchos de herramienta (Clave No. 5) en el lado izquierdo del armario usando dos tornillos de cabeza redonda de ¼-20 x ¾" (Clave No. 3).



**Figura 2 – Desempaquetado**

- La segunda caja contiene lo siguiente:
- S Conjunto del reborde para serrar a lo largo
  - T Rieles frontales, posteriores y de guía
  - U Conjunto del pie del reborde para serrar a lo largo

## MESAS DE EXTENSION DE GRANITO

Consulte la Figura 7.

**ADVERTENCIA:** Asegúrese que la sierra esté desconectada de la fuente de alimentación.

**PRECAUCION:** La mesa de extensión de granito es pesada; se necesitan dos personas para montarla.

- Instale dos barras de soporte T (Clave No. 7) en la ranura T debajo de la mesa principal (Clave No. 12).

**AVISO:** Asegúrese que la barra de soporte esté totalmente instalada en la ranura, debajo de la mesa principal.

- Atornille tres tornillos de fijación de  $\frac{5}{16}$ -18 x 2" (Clave No. 4) en el borde de la mesa de granito.
- Atornille los dos tornillos de fijación M8 x 15 (Clave No. 8) en las barras de soporte. Atornille los tornillos hasta, pero NO más allá de la superficie superior de las barras.
- Solicite ayuda para levantar la mesa de extensión. Alinee las dos ranuras con la barra de soporte hasta que la mesa de extensión alcance la mesa principal. Asegúrese que los tres tornillos de fijación de  $\frac{5}{16}$ -18 x 2" sobresalgan y entren en la mesa de extensión.
- Instale arandelas planas, arandelas de seguridad y tuercas hexagonales (Claves No. 3, 5 y 6) en los tornillos de fijación. Apriételos sólo manualmente. No los apriete completamente hasta que las mesas estén niveladas.
- Repita el procedimiento anterior para la otra mesa de extensión.
- Utilice un borde recto para verificar la nivelación y planeidad entre las mesas principal y de extensión.
- Use una llave hexagonal de 4 mm para ajustar los tornillos de fijación en las barras de soporte, a fin de nivelarlas y hacerlas igualmente planas.
- Después de ajustar las mesas para nivelarlas y hacerlas planas, apriete totalmente las tuercas hexagonales para fijar las mesas de extensión.

## VERIFICACION DEL ALINEAMIENTO DE LA MESA

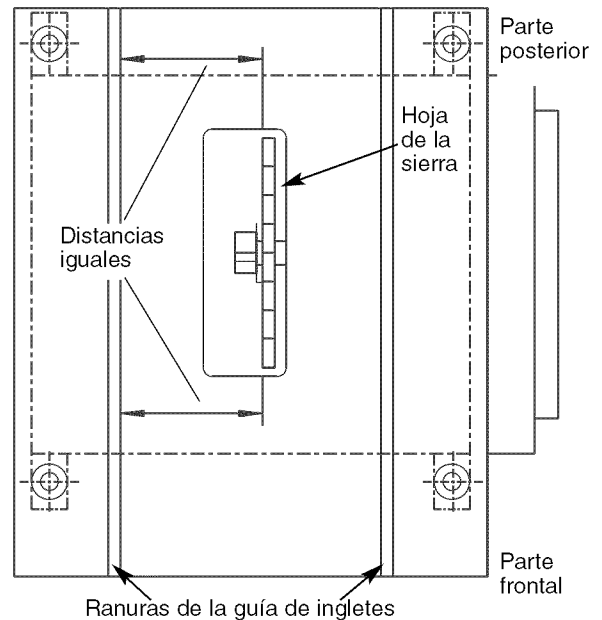
Consulte las Figuras 3 y 7.

- Las sierras se envían de la fábrica con la mesa ajustada de modo que las ranuras de la guía de ingletes queden paralelas a la hoja de la sierra. Sin embargo, a fin de que la sierra funcione de manera óptima, se sugiere que se revise este ajuste antes de ponerla en funcionamiento.
- A continuación se presenta un método sencillo para revisar el alineamiento: Sujete con pernos o abrazaderas una vara de espiga o un objeto similar en la guía de ingletes (se puede usar una escuadra de combinación). Escoja un diente en la parte frontal de la hoja y ponga la vara contra éste de modo que apenas hagan contacto. Mueva el mismo diente hacia la parte posterior de la hoja.
- Calibre este diente con la vara de espiga. Si el diente está en la misma posición, en relación con la guía de ingletes, la mesa está paralela con la hoja. En resumen, las ranuras de la guía de ingletes deben estar paralelas con la hoja. Esto significa que cuando se mide la distancia entre la hoja y la ranura en la parte frontal y posterior de la hoja, las distancias serán iguales (véase la Figura 3).

**AVISO:** Asegúrese de medir la distancia o hacer la prueba con el mismo diente de la hoja de la sierra tanto en la posición frontal como en la posterior.

- Si es necesario hacer un ajuste, proceda de la siguiente manera: (Consulte las Figuras 3 y 7). Afloje los pernos de cabeza hexagonal y las arandelas de seguridad (Figura 7, Nos. 5, 9 y 10) que fijan el armario en la mesa (Fig. 7, No. 12). Mueva la mesa hasta que se encuentre en una posición en donde la hoja de la sierra quede paralela con las ranuras de la guía de ingletes.

**AVISO:** La hoja de la sierra también debe centrarse dentro de la abertura del inserto de la mesa.



**Figura 3 – Alineamiento de las Ranuras de la Guía de Ingletes con la Hoja de la Sierra**

- Apriete firmemente los cuatro pernos de cabeza hexagonal y arandelas de seguridad (Figura 7, Nos. 5, 9 y 10). Este procedimiento pondrá la mesa en posición paralela e impedirá que se mueva.

## CONJUNTO DE RIELES

Consulte la Figura 9.

**AVISO:** La fila superior de agujeros en los rieles se usa para montar los rieles en la mesa.

- Sujete el riel frontal (Clave No. 2) en la mesa y en las extensiones usando cuatro pernos de cabeza hexagonal de  $\frac{5}{16}$ -18 x 1" (Clave No. 1).
- Sujete el riel posterior (Clave No. 12) en la mesa y en las extensiones con cuatro pernos de cabeza hexagonal de  $\frac{5}{16}$ -18 x 1".

## INSTALACION DEL TUBO GUIA

Consulte la Figura 9.

- Coloque el tubo guía (Clave No. 4) en el riel frontal.
- Fije la guía en el riel frontal usando arandelas planas, arandelas de seguridad y pernos de cabeza hexagonal (Claves No. 9, 10 y 11).

**AVISO:** Cuando fije el tubo guía en el riel frontal, se dará cuenta de que el tubo guía tiene un cierto rango de movimiento de izquierda a derecha. Deslice el tubo guía en el riel frontal lo más que se pueda hacia la derecha antes de apretar firmemente los pernos.

- Presione las dos tapas (Clave No. 3) en los extremos del riel guía (o tubo guía).

## INSTALACION DEL CONJUNTO DEL INTERRUPTOR

Consulte las Figuras 7 y 9.

- Instale el conjunto del interruptor (Fig. 7, Clave No. 39) en la parte inferior del riel frontal usando dos arandelas planas, arandelas de seguridad y pernos de cabeza hexagonal. (Fig. 9, Claves No. 6, 7 y 8).

## CONJUNTO DEL CUCHILLO DIVISOR

Consulte la Figura 7.

**ADVERTENCIA:** Asegúrese que la sierra esté desconectada de la fuente de alimentación.

**AVISO:** Extraiga el perno de retención del inserto de la mesa (Clave No. 13) que sirve para sujetar el inserto de la mesa (Clave No. 14) en la mesa de la sierra.

## INSTALACION Y EXTRACCION DEL CUCHILLO DIVISOR

### Para instalarlo

- Alinee el cuchillo divisor (Clave No. 40) en la dirección correcta con el soporte de montaje (Clave No. 24).
- Empuje el cuchillo divisor hacia abajo e insértelo totalmente en el soporte de montaje. Asegúrese que el pasador de fijación esté enganchado en el agujero del cuchillo divisor. (El agujero de fijación está en el lado inferior del cuchillo divisor.)
- Si no engancha correctamente, sujete la manilla de fijación y extraiga el pasador de fijación, y asegúrese que éste se encuentre correctamente situado en el agujero del cuchillo divisor. Al levantar o bajar el cuchillo, el pasador se enganchará en el agujero del cuchillo cuando está correctamente situado.
- Apriete la manilla de fijación.

### Para extraerlo

- Afloje la manilla de fijación.
- Sujete la manilla y tire del pasador de fijación para sacarlo.
- Extraiga el cuchillo divisor del soporte de montaje.

**AVISO:** Asegúrese que la hoja esté en la posición más alta antes de instalar o extraer el cuchillo divisor.

## AJUSTE DEL CUCHILLO DIVISOR CON RESPECTO A LA HOJA DE LA SIERRA

- Despeje del cuchillo divisor con respecto a la hoja de la sierra: el espacio entre el cuchillo divisor y la hoja de la sierra deberá ser una distancia uniforme a través de todo el radio.
- El cuchillo divisor también deberá estar en línea con hoja de la sierra. Si es necesario hacer ajustes:
  1. Ubique el conjunto del bloque de sujeción del cuchillo divisor (Clave No. 24).
  2. Afloje los dos tornillos de cabeza hueca (Clave No. 21) un poquito para poder mover el soporte y poner el cuchillo divisor en línea con la hoja de la sierra, asegurándose que el espacio entre la hoja y el cuchillo sea uniforme y de  $\frac{1}{14}$  a  $\frac{5}{16}$ " de distancia.
  3. Después de alinear el cuchillo divisor con la hoja de la sierra, apriete los tornillos de cabeza hueca.

## INSTALACION DEL CONJUNTO DEL REBORDE PARA SERRAR A LO LARGO

Consulte la Figura 9.

- Inserte la tuerca cuadrada (Clave No. 36) en el extremo abierto del cuerpo del reborde (Clave No. 34).
- Enrosque el tornillo de bloque (Clave No. 37) en la tuerca cuadrada.
- Fije el anillo E (Clave No. 35) en el extremo roscado del tornillo dentro del cuerpo del reborde.
- Enrosque el conjunto del pie con tuerca hexagonal (Claves No. 38 y 39) en el tornillo de bloque.
- Instale la tapa (Clave No. 3) después de ajustar el nivel del reborde (véase Ajustes).
- Enrosque la manilla (Clave No. 14) en la manija de fijación excéntrica (Clave No. 14).
- Coloque el reborde para serrar a lo largo en el extremo de la

sierra. Asegúrese que la palanca de fijación (Clave No. 14) esté en la posición ARRIBA no fijada.

- Monte el conjunto del reborde para serrar a lo largo en los rieles, colocando el pie (No. 39) en el riel posterior (Clave No. 12), y luego montando el reborde en el riel de guía (Clave No. 4).
- El reborde para serrar a lo largo ahora deberá moverse libremente sobre los rieles. Una vez que el reborde esté completamente instalado, deberá ajustarse completamente. (Véase la sección Operación, en la página 35, Ajuste del reborde para serrar a lo largo.)

## INSTALACION DE LA ESCALA

Consulte la Figura 9.

- Coloque el lado izquierdo del reborde de serramiento longitudinal contra el lado derecho de la hoja. Marque el riel de guía (No. 4) en la posición cero indicada por la línea roja en la lente (No. 27).
- Retire el reborde de serramiento longitudinal y aplique una tira de cinta adhesiva a lo largo del riel de guía a  $\frac{1}{4}$ " de profundidad desde el borde frontal del riel.
- Usando la marca de cero como el punto de partida y la cinta adhesiva como una guía, aplique la escala adhesiva (No. 5) en el riel de guía. Quítele el respaldo y presione firmemente la escala en su lugar usando una fuerte presión de los dedos.
- Repita el procedimiento anterior para la escala lateral izquierda (Clave No. 45). (Coloque el lado derecho del reborde de serramiento longitudinal contra el lado izquierdo de la hoja).

## INSTALACION DE LA PROTECCION DE LA HOJA

Consulte la Figura 8.

El conjunto de la protección de la hoja de la sierra y el partidador se instala y se ajusta de la misma manera que el cuchillo divisor.

**IMPORTANTE:** Antes de operar la sierra, asegúrese que la protección de la hoja y los retenes anticongolpes regresan automáticamente a la superficie de la mesa.

## INSTALACION DE LA GUIA DE INGLETES

Consulte la Figura 7.

- La guía de ingletes viene premontada. Desempáquela y límpiela cuidadosamente. Asegúrese que las ranuras T de la guía de ingletes en la mesa también estén totalmente limpias.
- La guía de ingletes se guía a través de la ranura T con una guía de rodillo ubicada en la parte frontal de la barra de guía. Para insertar la guía de ingletes, primero inserte la guía de rodillo en la ranura T en la parte frontal de la mesa (Clave No. 12).

## CONJUNTO DE LA MESA DE SALIDA

Consulte la Figura 7.

- Instale el retenedor de soporte (Clave No. 46) en la parte inferior posterior del armario con dos tornillos de cabeza hexagonal M6 x 25 mm, arandelas de seguridad M6 y arandelas planas M6 (Claves No. 22, 23 y 47). No apriete completamente los tornillos.
- Monte el soporte inferior (Clave No. 45) en el retenedor de soporte con un tornillo de cabeza hexagonal M6 x 35mm y una tuerca hexagonal Nylok M6 (Claves No. 48 y 49). Asegúrese que la ranura en el soporte inferior esté orientada hacia arriba. No apriete completamente la tuerca hexagonal. Permita que el soporte inferior se mueva libremente.
- Coloque la manilla de fijación (Clave No. 44) a través de la ranura del soporte superior (Clave No. 43), y asegúrese que la esquina redondeada del soporte superior esté orientada hacia la ranura en el soporte inferior. Enrosque la manilla de fijación en el agujero roscado del soporte inferior.

- Despliegue las barras de los brazos de soporte inferior y superior, de manera que el pasador del brazo superior encaje en la ranura del soporte inferior y apriete firmemente la manilla de fijación.
- Monte los dos conjuntos de bisagra (Clave No. 42) en el conjunto de la mesa de salida (Clave No. 41) con cuatro tornillos de cabeza hexagonal M5 x 16mm, arandelas de seguridad M5 y arandelas planas M5. Asegúrese que las arandelas y las tuercas hexagonales estén situadas debajo de la mesa de salida. No apriete completamente las tuercas.
- Monte las bisagras de la mesa de salida en la parte superior del riel posterior, a través de los agujeros existentes, con cuatro tornillos de cabeza hexagonal M5 x 16mm, arandelas de seguridad M5 y arandelas planas M5. Sujete los tornillos de cabeza hexagonal con cuatro arandelas planas M5 y tuercas hexagonales M5 colocadas debajo del riel posterior. No apriete completamente las tuercas.
- Instale la barra de soporte superior en la lengüeta que está debajo de la mesa de salida, usando un tornillo de cabeza hexagonal M6 x 35mm y una tuerca hexagonal Nylok M6. No apriete completamente la tuerca hexagonal. Permita que el soporte superior se mueva libremente.
- Apriete las tuercas que sujetan las bisagras en el riel posterior y la mesa de salida.
- Asegúrese que las ranuras de despeje de la guía de ingletes en la mesa de salida estén alineadas con las ranuras de la guía de ingletes de la sierra de mesa. Coloque un borde recto en la mesa de la salida, de manera que sobresalga de la mesa de salida. Asegúrese que la mesa de salida esté al mismo nivel o apenas por debajo de la mesa de la sierra y apriete firmemente los tornillos que sujetan el retenedor de soporte en el armario.

## INSTALACION

### CONEXIONES ELECTRICAS

#### INSTRUCCIONES PARA LA CONEXION A TIERRA

**ADVERTENCIA:** Si no se conecta correctamente el conductor a tierra del equipo, se corre el riesgo de una descarga eléctrica. El equipo debe estar conectado a tierra mientras se usa para proteger al operador contra una descarga eléctrica.

- Si no entiende las instrucciones de conexión a tierra o tiene dudas en cuanto a si la herramienta está correctamente conectada a tierra, consulte con un electricista calificado.
- A fin de protegerlo contra una descarga eléctrica, esta herramienta está equipada con un cable de tres conductores aprobado y clasificado para 300V, y un enchufe de tres puntas tipo conexión a tierra (véase la Figura 4).
- El enchufe de conexión a tierra debe conectarse directamente a un receptáculo para 3 puntas instalado y conectado debidamente a tierra, tal como se muestra en la Figura 4.

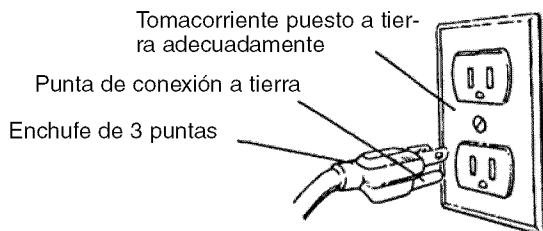


Figura 4 – Receptáculo para 3 Puntas

- No retire ni modifique en forma alguna la punta de conexión a tierra. En caso de un mal funcionamiento o una avería, la conexión a tierra proporciona una ruta de menor resistencia para la descarga eléctrica.

**ADVERTENCIA:** Al conectar o desconectar el enchufe del tomacorriente, no permita que los dedos toquen las terminales o el enchufe.

- El enchufe debe conectarse en el tomacorriente correspondiente que haya sido instalado y conectado a tierra debidamente, de acuerdo con todos los códigos y regulaciones locales. No modifique el enchufe que se incluye. Si no cabe en el tomacorriente, solicite a un electricista calificado que instale un tomacorriente adecuado.
- Revise periódicamente los cordones de la herramienta, y si están dañados, llévelos a un centro de servicio autorizado para que los reparen.
- El conductor verde (o verde y amarillo) del cable es para conexión a tierra. Si es necesario reparar o reemplazar el cordón eléctrico o el enchufe, no conecte el cable verde (o verde y amarillo) a una terminal energizada.
- Si se cuenta únicamente con un receptáculo para dos puntas, éste deberá ser reemplazado con un receptáculo para tres puntas debidamente conectado a tierra e instalado de acuerdo con las Normas para Instalaciones Eléctricas (National Electric Code) y los códigos y regulaciones locales.

**ADVERTENCIA:** Esta tarea deberá ser realizada por un electricista calificado.

Se puede obtener un adaptador de conexión a tierra provisional de tres puntas a dos puntas (véase la Figura 5) para conectar enchufes a un tomacorriente bipolar que esté conectado correctamente a tierra.

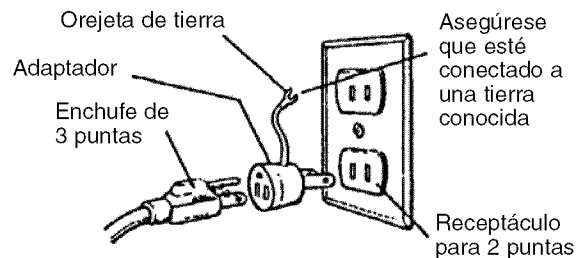


Figura 5 – Receptáculo para 2 Puntas con Adaptador

- No utilice un adaptador de 3 puntas a 2 puntas con conexión a tierra a menos que esté permitido por los códigos y regulaciones nacionales y locales.
- (En Canadá no se permite el uso de los adaptadores de 3 puntas a 2 puntas con conexión a tierra.) Cuando esté permitido utilizar este tipo de adaptadores, la lengüeta rígida de color verde o la terminal en el lado del adaptador deberán estar bien conectadas a una tierra permanente, como sería una tubería de agua debidamente conectada a tierra, un tomacorriente debidamente conectado a tierra o un sistema de cables debidamente conectado a tierra.
- Muchos de los tornillos para placas de cubierta, las tuberías de agua y las cajas de distribución no están debidamente conectados a tierra. Para garantizar que la conexión a tierra sea efectiva, un electricista calificado debe verificar los medios de conexión a tierra.

#### CORDONES DE EXTENSION

- El uso de cualquier tipo de cordón de extensión ocasionará una caída en el voltaje y una pérdida de potencia.
- Los alambres del cordón de extensión deben tener el tamaño suficiente para transportar la corriente adecuada y mantener el voltaje correcto.
- Utilice la tabla para determinar el tamaño mínimo del alambre (según la norma AWG) del cordón de extensión.
- Utilice únicamente cordones de extensión trifilares que cuenten con enchufes tipo conexión a tierra de tres puntas y

receptáculos tripolares que funcionen con el enchufe de la herramienta.

- Si el cordón de extensión está desgastado, roto o dañado en cualquier forma, reemplácelo inmediatamente.

### Longitud del cordón de extensión (operación con 120 V)

Tamaño del cable	Norma AWG
Hasta 25 pies	14
Hasta 50 pies	12

**AVISO:** No se recomienda utilizar cordones de extensión de más de 50 pies de largo.

### CONEXIONES ELECTRICAS

**ADVERTENCIA:** Cerciórese de que la unidad esté apagada y desconectada de la fuente de alimentación antes de inspeccionar el cableado.

La sierra viene precableada para uso con una fuente de alimentación de 120 voltios, 60 Hz.

Las líneas de energía eléctrica se insertan directamente en el interruptor. La línea de conexión a tierra verde debe permanecer firmemente sujeta al bastidor para ofrecer la adecuada protección contra un electrochoque.

### OPERACION CON 240 VOLTIOS

- Para usar la sierra con una alimentación de 240 V monofásica, haga que un técnico electricista calificado conecte un enchufe de tres puntas de 240 voltios y 15 amperios al cable de la sierra e instale los conectores y receptáculos adecuados para la alimentación.
- Consulte el diagrama de cableado (Figura 6) para ver las instrucciones de cableado.

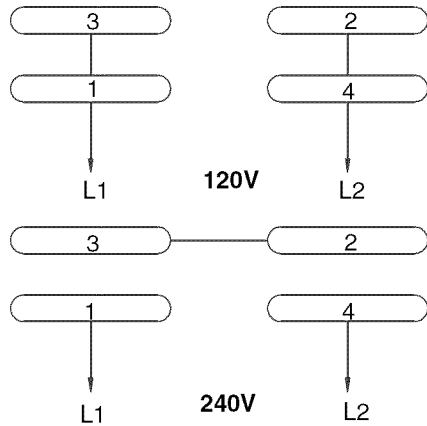


Figura 6 – Diagrama de Cableado

## OPERACION

Consulte las Figuras 7 y 10 en las páginas 18 y 24.

### DESCRIPCION

La sierra de árbol inclinable de 10" modelo número 221160 de Craftsman proporciona una capacidad de corte preciso para todas las maderas de hasta 3<sup>5</sup>/<sub>16</sub>" de grosor. La sierra está diseñada para el usuario profesional y se ha construido suficientemente fuerte para servicio continuo. La sierra está diseñada para situarla permanentemente en un taller o una planta. Se recomienda usar la sierra de 10" con una hoja de 10". La sierra cuenta con una mesa de granito sólida extra grande. Su exclusivo sistema de ranuras T incorpora la guía de ingletes de hierro fundido. La sierra está equipada con un cuchillo divisor y una protección acrílica transparente para la hoja con capacidad

anticontragolpes. El armario está construido con acero soldado grueso, está totalmente cerrado y tiene un orificio para una manguera de aspiración de 4".

El conjunto del reborde de serramiento longitudinal tiene un reborde de alta precisión para servicio pesado que está diseñado para maniobrar en forma sencilla y con una mano. Este incluye un riel frontal calibrado en pulgadas y milímetros con una ventana de aumento para tolerancias pequeñas.

### ESPECIFICACIONES

#### Capacidad con hoja de 10":

Profundidad de corte a 90°	3 <sup>5</sup> / <sub>16</sub> "
Ángulo de inclinación máximo del árbol	45°
Profundidad de corte a 45°	2 <sup>1</sup> / <sub>4</sub> "
Corte máximo a la derecha de la hoja con reborde para serrar a lo largo	30"
Corte máximo a la izquierda de la hoja con reborde para serrar a lo largo	13 <sup>1</sup> / <sub>2</sub> "

#### Dimensiones de la sierra:

Altura de la mesa	34"
Profundidad del armario	20"
Ancho del armario	17 <sup>3</sup> / <sub>4</sub> "
Área de la mesa	40" x 27"
Parte frontal de la mesa a la hoja	12"

#### Dimensiones del reborde para serrar a lo largo:

Reborde para serrar a lo largo	37 <sup>3</sup> / <sub>8</sub> "
Rieles del reborde para serrar a lo largo (frontal y posterior)	52"
Máxima capacidad de la hoja	10"
Extensión del árbol de la hoja	5 <sup>5</sup> / <sub>8</sub> "
Máxima capacidad de la hoja para ranurar	1 <sup>3</sup> / <sub>16</sub> "

#### Construcción de la sierra:

Armario	Totalmente encerrado, de acero soldado
Mesa	Granito
Reborde para serrar a lo largo	Tubo de acero y UHMWPE
Sistema de impulsión	Correa poli V
Orificio de escape	Macho de 4"
Guía de ingletes	Hierro fundido, con guía de rodillo de ranura T
Protección de la hoja	Acrílica, con retenes anticontragolpes
Interruptor	Interruptor ON/OFF (encendido/apagado), con sobrecarga
RPM del árbol	aproximadamente 4000 RPM
Motor	1 <sup>3</sup> / <sub>4</sub> HP, 3450 RPM, arranque con capacitor, funcionamiento con capacitor, 120/240V, 15/7.5A, monofásico, con cojinete de bolas
Peso	432 lbs
Peso de embarque	485 lbs

**ADVERTENCIA:** Desconecte la energía eléctrica antes de intentar cualquiera de los procedimientos siguientes. Asegúrese que el interruptor esté en la posición OFF (apagado) y la desconexión de seguridad (o cortacircuito) esté en la posición OFF (apagado) u abierta. La hoja de la sierra no debe moverse. La hoja de la sierra girará libremente después de apagar el motor. Espere hasta que la hoja se detenga completamente antes de tratar de realizar cualquiera de los procedimientos siguientes.

**ADVERTENCIA:** La operación de toda herramienta mecánica puede hacer que salgan arrojados objetos extraños hacia los ojos y les causen graves heridas. Antes de comenzar a utilizar la herramienta mecánica, póngase siempre gafas de seguridad que cumplan con la norma ANSI Z87.1 de los Estados Unidos.

## ARRANQUE Y PARO DE LA SIERRA

Consulte la Figura 7.

**ADVERTENCIA:** Nunca opere la sierra sin las protecciones de la hoja en su lugar. Asegúrese que la hoja no esté en contacto con la pieza de trabajo cuando se ponga en marcha el motor. Ponga en marcha el motor y permita que la sierra alcance su plena velocidad.

**ADVERTENCIA:** Asegúrese que las características eléctricas indicadas en la placa del fabricante del motor sean las mismas que las de la fuente de energía eléctrica.

- El interruptor ON/OFF (Encendido/Apagado) se encuentra debajo del riel frontal de la sierra de mesa, al lado izquierdo.
- Para encender la sierra, párese a un lado o al otro lado de la hoja, pero nunca en línea con la hoja. Oprima el botón verde ON (Clave No. 28). Siempre espere a que la hoja alcance su velocidad total antes de empezar a cortar.
- No encienda y apague rápidamente el motor a través del interruptor. Esto hace que el motor se caliente demasiado y podría causar que la hoja de la sierra se afloje.
- Nunca deje la sierra desatendida cuando tenga conectada la energía eléctrica.
- Para apagar la sierra de mesa, empuje la paleta roja grande OFF (Clave No. 26) o levante la paleta y oprima directamente el botón OFF rojo. Nunca deje la sierra desatendida sino hasta que la herramienta cortadora se haya detenido completamente.
- La sierra de mesa incluye un relé de sobrecarga térmica reajutable ubicado en el lado del interruptor (Ref. No. 31). Si el motor se apaga mientras está funcionando, oprima el botón OFF y espere varios minutos hasta que el motor enfríe. Sacuda los residuos de la hoja de la sierra y el área de trabajo. Oprima el botón en el relé de sobrecarga térmica para reajustar el relé. Ahora puede volver a encender el motor.

**ADVERTENCIA:** Para su propia seguridad, baje la hoja o la herramienta cortadora por debajo de la superficie de la mesa. Si la hoja está inclinada, colóquela nuevamente en posición vertical. Desconecte la sierra por medio de la desconexión de seguridad o el interruptor de circuito cuando no se utilice.

## AJUSTE DE LA ALTURA DE LA HOJA

Consulte la Figura 8.

- La altura de la hoja se controla con la rueda manual (Clave No. 2) que está situada en la parte frontal de la sierra.
- Para ajustar la altura, afloje la manilla manual de fijación (Clave No. 1). Gire la manilla aproximadamente tres vueltas hacia la izquierda. Gire la rueda manual hasta que la hoja quede a la altura deseada.

**PRECAUCION:** Por razones de seguridad, la hoja se debe elevar sólo  $\frac{1}{8}$ " por encima de la superficie del material que se va a cortar. Sin embargo, si se usa una hoja esmerilada hueca, elévela a su altura máxima para lograr un mayor espacio libre.

- Fije la posición de altura de la hoja. Gire la manilla de fijación (Clave No. 1) hacia la izquierda para apretarla y fijar la rueda manual (Clave No. 2). Apriétela para ajustarla apenas.

**IMPORTANTE:** No la apriete demasiado. Sólo es necesario aplicar una presión ligera para bloquear o fijar firmemente la rueda manual.

- El mecanismo de altura de la hoja tiene topes de limitación de altura superior e inferior (Claves No. 29 y 34). Estos topes de límite vienen establecidos de fábrica y no requieren un ajuste adicional.

## AJUSTE DE INCLINACION DE LA HOJA

Consulte la Figura 8.

- La hoja de la sierra se puede ajustar a cualquier ángulo entre 90° y 45°. La inclinación de la hoja se controla con la rueda manual (Clave No. 2) que se encuentra en el lado izquierdo de la sierra. El indicador (Clave No. 20) que está en la parte frontal de la sierra muestra el ángulo de inclinación de la hoja.
- Para ajustar la inclinación, afloje la manilla de fijación (Clave No. 1). Gire la manilla hacia la izquierda por lo menos tres vueltas. Gire la rueda manual hasta que la hoja quede en el ángulo deseado. Fije la posición de ángulo de la hoja.
- Gire la manilla de fijación (Clave No. 1) hacia la izquierda para apretarla y fijar la rueda manual (Clave No. 2). Apriétela para ajustarla apenas.
- La sierra está equipada con topes positivos para 90° y 45°. Estos topes positivos le permiten al operador colocar la hoja de la sierra a 90° y 45° con rapidez y precisión.

## AJUSTE DEL TOPE DE 90°

Consulte las Figuras 7 y 8.

- Eleve la hoja de la sierra por encima de la mesa tanto como sea posible. Gire la rueda manual de inclinación para ajustar la hoja a 90°. Ponga una escuadra en la mesa y verifique si la hoja ha quedado perpendicular con respecto a la mesa. Al hacer esta revisión, ponga la escuadra al ras contra la hoja de la sierra. No ponga la escuadra sobre los dientes de la hoja de la sierra.
- Si la hoja no se inclina a 90°, gire (hacia la izquierda) el tornillo de fijación (Fig. 7, Clave No. 11) en la ranura de la guía de ingletes izquierda de la mesa de sierra hasta que la hoja pueda colocarse a 90°.
- Cuando la hoja se haya inclinado a 90° (confirme esto utilizando la escuadra), apriete la manilla de fijación de la rueda manual de bisel, ubicada en uno de los lados del armario. Esto evitará que la hoja continúe inclinándose.
- Gire el tornillo de fijación (hacia la derecha) hasta que entre en contacto con el tope positivo.
- Revise el puntero del indicador de inclinación. Si es necesario ajuste el puntero de modo que marque 0° en la escala. Para ajustar el puntero, retire la rueda manual y afloje el tornillo (Fig. 8, Clave No. 18). Asegúrese de apretar bien el tornillo después que haya completado el ajuste.

## AJUSTE DEL TOPE DE 45°

Consulte la Figura 7.

- Incline la hoja de la sierra a 45°. Use una escuadra de combinación y verifique si la hoja ha quedado a 45° con respecto a la mesa.
- Si la hoja no se inclina a 45°, gire (hacia la izquierda) el tornillo de fijación (Clave No. 16) ubicado a la derecha de la ranura de la guía de ingletes derecha, hasta que la hoja pueda colocarse a 45°.
- Con la hoja a 45°, apriete la manilla de fijación de la rueda manual de bisel para evitar que la hoja continúe inclinándose.
- Gire el tornillo de fijación hacia la derecha hasta que entre en contacto con el tope positivo.

## AJUSTE DEL INSERTO DE LA MESA

Consulte la Figura 7.

- El inserto de la mesa (Clave No. 14) debe siempre estar nivelado con la mesa de la sierra. Para ajustar el inserto de la mesa, afloje y extraiga los pernos de retención del inserto de la mesa (Clave No. 13).
- El inserto de la mesa está equipado con un soporte para los dedos para su fácil remoción.

- Coloque un borde recto a través de la parte frontal y posterior del inserto de la mesa. Asegúrese que el inserto esté perfectamente nivelado con respecto a la mesa de la sierra.
- Para nivelar el inserto de la mesa, gire uno o más tornillos de fijación para el ajuste (Clave No. 15) según sea necesario y vuelva a revisar.
- Cuando el inserto esté nivelado, asegúrelo con los pernos de retención que se extrajeron en el primer paso.

### AJUSTE DE LA GUIA DE INGLETES

- La guía de ingletes que se suministra con la sierra está equipada con topes divisores individualmente ajustables a 0° y 45°, a la derecha y a la izquierda, y se pueden ajustar manualmente hasta 60° a la derecha y a la izquierda.  
El ajuste de los topes divisores se puede hacer aflojando la tuerca de seguridad y apretando o aflojando tres tornillos de ajuste. Asegúrese de apretar la tuerca de seguridad después de realizar el ajuste.
- La parte frontal de la guía de ingletes cuenta con dos orificios para sujetar el refrentado auxiliar.
- La guía de ingletes ha sido fabricada a precisión para hacer un trabajo exacto. La guía de ingletes se guía a través de la ranura T con una guía de rodillo montada en la parte frontal de la barra de guía. La guía de rodillo aumenta la estabilidad de la guía de ingletes e impide que la barra de guía se salga de la ranura T.
- Para operar la guía de ingletes, sencillamente afloje el mango de fijación y mueva la guía de ingletes al ángulo deseado. La guía de ingletes se detendrá a 0° y 45° tanto hacia la derecha como hacia la izquierda. Para colocar la guía de ingletes más allá de estos puntos, simplemente extraiga el tope de la guía. Coloque la guía de ingletes en el ángulo deseado y apriete el mango de fijación.
- Asegúrese que el borde de la pieza de trabajo que queda al lado de la parte frontal de la guía de ingletes esté recto y apretado contra la guía de ingletes de modo que la pieza de trabajo no se mueva ni gire. Siempre use ambas manos al manejar la guía de ingletes.
- La guía de ingletes se utiliza para cortar transversalmente, para hacer cortes a inglete compuestos, cortes a inglete, para rebajar, para hacer cortes biselados y para ranurar.

### AJUSTE DEL REBORDE PARA SERRAR A LO LARGO

Consulte la Figura 9.

El reborde de la sierra para serrar a lo largo está fabricado a precisión e incorpora ajustes finos para hacer cortes precisos. La sierra está construida para permitirle al operador ajustar precisamente el reborde sin problemas y en unos cuantos segundos.

**AVISO:** Los ajustes del reborde deben realizarse en el orden indicado en este manual.

### AJUSTE DEL CONJUNTO DEL PIE POSTERIOR

- Asegúrese que el conjunto del pie posterior (Clave No. 39) descansa sobre el riel posterior (Clave No. 12).
- Si el conjunto del pie posterior no descansa sobre el riel posterior, afloje el tornillo de bloque (Clave No. 37) y deslice el conjunto del pie hacia delante o hacia atrás hasta que el pie descansa sobre el riel posterior.
- Vuelva a apretar el tornillo de bloque para fijar el pie en posición.

### NIVELACION DEL REBORDE CON RESPECTO A LA MESA

- Levante la manija de fijación (Clave No. 15) para soltar el reborde.
- Observe el espacio entre la parte inferior del reborde y la

mesa. El espacio deberá ser igual a lo largo de toda la longitud del reborde.

- Para nivelar el reborde, se utilizan el conjunto del pie posterior (Clave No. 39) y los tornillos de ajuste superiores (Clave No. 18). Ajuste el que sea necesario hasta que el reborde esté nivelado con respecto a la mesa.
- Después de nivelar el reborde, apriete la tuerca hexagonal (Clave No. 38) para fijar el reborde en posición.

### AJUSTE DE LA PRESION DE SUJECION

El reborde para serrar a lo largo ha sido ajustado en la fábrica para que quede firmemente fijo cuando se empuje la manija de fijación hacia abajo. Para ajustarlo:

- Suelte el reborde y retírelo del tubo guía.
- Ajuste IGUALMENTE los dos tornillos de ajuste frontales (Clave No. 18) hasta que el reborde quede firmemente fijo cuando se empuje la manija de fijación hacia abajo.

### AJUSTE DEL REBORDE PARA PONERLO PARALELO

Consulte la Figura 9.

**AVISO:** Antes de ajustar el paralelismo del reborde, es crítico que la hoja esté paralela con las ranuras de la guía de ingletes en la mesa. Consulte la sección "Verificación del alineamiento de la mesa", en la página 31.

- Suelte y sitúe el reborde de manera que los dos tornillos de fijación frontales (Clave No. 18) estén alineados con las "ventanas" en el riel frontal (Clave No. 2). Estas ventanas permiten el acceso a los tornillos de fijación mientras el reborde se encuentra en el tubo guía.
- Fije el reborde en posición y coloque una escuadra de combinación contra el borde derecho de la ranura derecha de la guía de ingletes en el frente de la mesa.
- Extienda la hoja de la escuadra de combinación que apenas toca el lado izquierdo del reborde para serrar a lo largo. Anote la medida.
- Mueva la escuadra de combinación a la parte posterior de la mesa y mida la distancia desde la ranura de la guía de ingletes hasta el reborde. Deberá ser igual a la medida tomada anteriormente. Si las medidas no son iguales, proceda al paso siguiente.
- Suelte el reborde y ajuste uno de los tornillos de fijación usando la llave hexagonal suministrada. La llave puede insertarse por el lado posterior de la ventana en el riel frontal.
- Fije el reborde y tome nuevamente las medidas tomadas anteriormente. Repita hasta que las dos medidas sean iguales.

**AVISO:** Es posible que se tenga que reajustar la presión de sujeción después de ajustar el reborde para ponerlo paralelo.

### AJUSTE DEL REBORDE PARA PONERLO PERPENDICULAR

Consulte la Figura 9.

- Coloque el reborde en cualquier lugar sobre la mesa y asegúrelo.
- Coloque una escuadra sobre la mesa al lado del reborde y verifique que el reborde quede a 90° con respecto a la mesa.
- Si es necesario realizar un ajuste, desasegure el reborde y gire cualquiera de los dos tornillos de ajuste superiores (Clave No. 18).
- Asegure el reborde en posición y vuelva a verificar. Continúe con este procedimiento hasta que el reborde quede en escuadra con la mesa.

## AJUSTE DEL CURSOR

Consulte la Figura 9.

- Eleve la hoja de la sierra por encima de la mesa.
- Coloque el reborde a varios centímetros a la derecha de la hoja de la sierra.
- Fije el reborde y mida la distancia exacta entre la hoja de la sierra y la parte interior del reborde.
- Afloje los dos tornillos (Clave No. 31) en la lente y deslice ésta hacia la izquierda o derecha hasta que el cursor (línea roja) sea igual a la medida obtenida en el paso anterior.
- Vuelva a apretar los tornillos y realice un corte de prueba. Mida la pieza de corte para verificar que el cursor esté ajustado correctamente.

**AVISO:** Este ajuste debe revisarse siempre que se instale una hoja nueva

## AJUSTE DE LA GUIA DEL RIEL

Consulte la Figura 9.

Para eliminar el juego excesivo en el reborde mientras se mueve por el tubo guía:

- Desasegure el reborde.
- Tire del cuerpo del reborde hacia la parte frontal de la sierra.
- Apriete los dos tornillos de ajuste frontales (Clave No. 18) hasta que entren en contacto con el tubo guía, y luego retírelos aproximadamente 1/4 de vuelta. Esto deberá ajustar la cantidad de juego adecuada en el reborde.
- Revise el movimiento del reborde. Vuelva a ajustar si es necesario.

## OPERACION DEL REBORDE PARA SERRAR A LO LARGO

Consulte la Figura 10.

- Levante la palanca de fijación (Clave No. 15) para soltar el reborde. Con la escala de colocación, sitúe el reborde para serrar a lo largo. Mueva la palanca de fijación a la posición de abajo para fijar el reborde en posición.
- El reborde se usa para las siguientes operaciones: para serrar a lo largo, para serrar biselando, acanalar, reserrar, rebajar y ranurar.

**ADVERTENCIA:** Por su propia seguridad, siempre observe las precauciones de seguridad siguientes.

- Nunca haga ningún corte a mano libre (sin usar la guía de ingletes o el reborde para serrar a lo largo). La hoja se puede atascar en el corte y producir contragolpes.
- Fije siempre la guía de ingletes o el reborde para serrar a lo largo en forma segura cuando se usen.
- Cuando utilice la guía de ingletes, retire de la mesa el reborde para serrar a lo largo.
- Retire de la mesa la guía de ingletes cuando use el reborde para serrar a lo largo.
- Asegúrese que la protección de la hoja esté instalada para todas las operaciones de "corte completo". Vuelva a colocar la protección inmediatamente después de terminar de reserrar, rebajar y ranurar.  
Revise frecuentemente la acción de los retenes anticontragolpes, pasando la pieza de trabajo a lo largo del separador mientras la sierra está apagada. Tire de la pieza de trabajo hacia usted. Si los retenes no muerden la pieza de trabajo y la retienen, entonces deberán afilarse. (Véase la sección "Mantenimiento" en la página 38.)
- Extienda la hoja aproximadamente 1/8" sobre la parte superior de la pieza de trabajo. La posibilidad de sufrir lesiones aumenta si la hoja sobresale más de esta distancia.

- No se pare directamente frente a la hoja pues pueden ocurrir contragolpes. Párese junto a ésta, ya sea a un lado o a otro.
- Mantenga las manos alejadas de la hoja y fuera de su trayectoria.
- Si la hoja se para o detiene mientras está cortando, ponga ambos, el interruptor y el desconector de seguridad en la posición OFF (apagado), antes de tratar de liberar la hoja.
- No alcance sobre o detrás de la hoja para tirar de la pieza de trabajo a través del corte, soportar las piezas de trabajo largas o pesadas, retirar piezas pequeñas de material cortado o por ninguna otra razón.
- No recoja de la mesa las piezas pequeñas de material cortado. Retírelos empujándolos fuera de la mesa con un palo largo. De lo contrario, pueden ser lanzadas hacia atrás, hacia usted por la parte posterior de la hoja.
- No retire las piezas pequeñas de material cortado que puedan haber quedado atrapadas dentro de la protección de la hoja mientras la sierra está encendida. Puede poner en peligro sus manos o bien, puede ocasionar un contragolpe. Apague la sierra. Una vez que la hoja haya dejado de girar, levante la protección y retire la pieza.
- Siempre baje la hoja por debajo del nivel de la mesa cuando no esté utilizando la máquina.

## TIPOS DE OPERACIONES Y CORTES

### CORTE TRANSVERSAL

Se hace con la guía de ingletes en la posición "0". En el corte transversal la pieza de trabajo se corta a lo largo de la veta a un ángulo de 90°, o en ángulo recto con ambos, el borde y el lado plano de la madera.

### CORTE DE INGLETE

Se hace con una guía de ingletes, donde se corta la madera a un ángulo diferente de 90° con respecto al borde de la madera.

### CORTE TRANSVERSAL BISELADO

Se hace con la guía de ingletes, y es lo mismo que el corte transversal, excepto que la madera también se corta a un ángulo que no sea de 90° con respecto al lado plano de la madera (la hoja está a un cierto ángulo).

### CORTE DE INGLETE COMPUESTO

Se hace con la guía de ingletes y es una combinación de un corte de inglete y uno transversal biselado. El corte se hace a un ángulo que no sea de 90° con respecto al borde y al lado plano de la madera.

### SERRAMIENTO A LO LARGO

Se hace con el reborde para serrar a lo largo y es cuando se corta una pieza de madera a lo largo de la veta o longitudinalmente. Coloque el reborde según el ancho deseado del corte longitudinal y fíjelo en esa posición. Cuando haga este corte en tablas o paneles largos use siempre un soporte para la pieza de trabajo.

### SERRAMIENTO A LO LARGO BISELADO

Se hace con el reborde para serrar a lo largo, de la misma forma en que se realiza el serrado a lo largo. Sin embargo, la hoja se ajusta a un ángulo diferente de 90°.

### RESERRAMIENTO

Se hace con el reborde para serrar a lo largo, y es cuando una pieza de madera se corta a través de todo su espesor. No trate de volver a serrar material arqueado o combado.

**AVISO:** Es posible que sea necesario retirar la protección de la hoja y usar soportes para la pieza de trabajo así como bloques de empuje cuando se realiza esta operación.

**ADVERTENCIA:** Instale la protección de la hoja inmediatamente después de completar la operación de reserramiento.

### ACANALAMIENTO

Se hace con un reborde para serrar a lo largo y consiste en hacer ranuras siguiendo la veta de la pieza de trabajo. Use sujetadores y dispositivos de alimentación adecuados.

### REBAJAMIENTO

Este corte se hace ya sea con la guía de ingletes o con el reborde para serrar a lo largo. El rebajado se hace cortando una sección de la esquina de una pieza de material a través de un extremo o a lo largo de un borde. Para rebajar se necesitan cortes que no traspasen completamente el material. Por lo tanto, se tiene que retirar la protección de la hoja. Instale la protección de la hoja inmediatamente después de completar la operación de rebajado. Los cortes para rebajar también se pueden hacer usando el cabezal para ranurar.

### RANURACION

Este corte se hace ya sea con la guía de ingletes o con el reborde para serrar a lo largo. Se ranura con un conjunto de hojas (conjunto para ranurar) en vez de con las hojas de la sierra estándar. El conjunto para ranurar se utiliza para hacer ranuras en la madera en forma parecida a cuando se acanala o se rebaja. Sin embargo, el conjunto para ranurar le permite al operador retirar más material en una pasada. Con el equipo para ranurar, el operador puede variar el ancho del corte hasta  $1\frac{3}{16}$ ".

Las instrucciones para operar el equipo para ranurar se encuentran en el manual del propietario incluido con dicho equipo. Para ranurar es necesario hacer cortes que no traspasen completamente el material. Por lo tanto, se tiene que retirar la protección de la hoja. Los equipos para ranurar tienen características diferentes a las de la hoja de la sierra. Por tanto, la sierra debe incluir partes especiales disponibles para la sierra (la mesa para ranurar).

El juego de ranuración de la sierra estacionaria Craftsman tiene una capacidad máxima de  $\frac{5}{8}$ " de diámetro interno x 8" de diámetro externo x  $1\frac{3}{16}$ " de ancho.

**IMPORTANTE:** Siempre use el inserto correcto. Sea precavido cuando utilice el conjunto para ranurar. Use tablas de cuña y palos de empuje según sea el caso.

**ADVERTENCIA:** Siempre vuelva a colocar inmediatamente la hoja estándar, la protección de la hoja y el inserto de la hoja una vez que haya terminado de ranurar.

### CORTE DE LAS PIEZAS DE TRABAJO GRANDES

Cuando corte piezas o paneles largos, coloque siempre un soporte bajo la parte que no está apoyada sobre la mesa. Utilice una extensión posterior para mesa de salida o haga un soporte sencillo sujetando, mediante abrazaderas, una pieza de madera laminada sobre el caballete para serrar. Agregue el refrentado a la guía de ingletes o al reborde para serrar a lo largo, según sea necesario.

**IMPORTANTE:** No permita que las caras o topes interfieran con el funcionamiento de la protección de la hoja.

### RECOLECCION DEL POLVO

- La sierra tiene un orificio de escape macho de 4".
- Se recomienda utilizar un colector de polvo.

### SELECCION DE LA HOJA

La selección de la hoja depende del tipo de material que se va a cortar y el tipo de corte que se desea realizar. En general, hay tres tipos de hojas de sierra: las que son para cortar a lo largo siguiendo la veta de la madera, las de serrado de corte a través de la veta y las de combinación que cortan con la veta, a través de la veta y en cualquier ángulo con respecto a ésta.

Las hojas varían en muchos aspectos. Al seleccionar la hoja, deberá cerciorarse de que las características enumeradas más adelante sean las adecuadas para el tipo de corte y material a utilizar: tipo de acero, calidad de éste; tipo de dientes, conjunto de dientes; punta de carburo; filo; número y tamaño de los dientes.

**IMPORTANTE:** Su sierra sólo es tan precisa y eficaz como la hoja o la herramienta cortadora que se está usando.

Primero, asegúrese de usar el tipo correcto de herramienta cortadora para la operación que va a llevar a cabo. Segundo, es sumamente recomendable que se usen hojas y herramientas cortadoras de buena calidad. Mantenga las hojas y las herramientas cortadoras afiladas y en buenas condiciones de trabajo. Revise las hojas periódicamente y cámbielas o afílelas en caso de que sea necesario.

## MANTENIMIENTO

**ADVERTENCIA:** No intente bajo ninguna circunstancia, darle servicio, reparar, desmontar o desarmar ninguno de los componentes mecánicos o eléctricos sin desconectar físicamente todas las fuentes de energía eléctrica.

### LIMPIEZA

- Limpie todo producto conservador de toda parte brillante (maquinadas) con el solvente adecuado (esencias minerales). Evite que el fluido de limpieza caiga en alguna parte de goma ya que tiende a deteriorarlas.
- Use jabón y agua blanda en las partes de goma y de plástico.
- Después de la limpieza, lubrique las superficies no pintadas con una aplicación ligera de aceite de máquina de mediana viscosidad. Esta lubricación se tiene que repetir por lo menos una vez cada seis meses.
- Utilice un paño húmedo para limpiar la mesa de granito.
- Mantenga su máquina y su taller limpios. No permita que el serrín se acumule en la sierra ni en el interior del armario. Aspire o sople frecuentemente el serrín que se haya acumulado dentro del armario.
- Asegúrese que el motor y los mecanismos internos estén limpios y aspire o sople frecuentemente el polvo.

### LUBRICACION

Todos los cojinetes en el árbol son de bolas protegidos. Estos cojinetes han sido permanentemente lubricados en la fábrica.

- Según sea necesario, limpie la grasa de la cremallera y de los engranajes sinfín del mecanismo de altura e inclinación. Lubrique la cremallera y los engranajes con un aceite de máquina de viscosidad mediana.
- Asegúrese de lubricar las vías del muñón y todos los bujes.
- De vez en cuando, aceite todos los demás puntos de cojinete, incluyendo el conjunto de la protección de la hoja, la guía de ingletes y el reborde para serrar a lo largo.

### SERVICIO

- Reemplace las correas y las partes desgastadas según sea necesario. Si los cordones de corriente eléctrica están desgastados, cortados o dañados en cualquier manera, cámbielos inmediatamente.
- Asegúrese que los dientes de los retenes anticontragolpes estén siempre afilados.
- Afíle los dientes desafilados con unas cuantas pasadas suaves de una lima plana y suave.

## CAMBIO DE LA HOJA DE LA SIERRA

Consulte las Figuras 7 y 8.

**AVISO:** El grosor del cuerpo de las hojas de reemplazo debe ser menor que el grosor del cuchillo divisor/placa abridora. El ancho de corte (hecho con una hoja) debe ser mayor que el grosor del cuchillo divisor/placa abridora. Revise las marcas en el cuchillo divisor/placa abridora y en la hoja o empaque de la hoja.

**ADVERTENCIA:** Lleve el interruptor de alimentación a la posición OFF (Apagado) y desenchufe el cordón de alimentación de la fuente de alimentación cuando cambie la hoja de la sierra.

**ADVERTENCIA:** USE SOLO hojas de 10" de diámetro con orificios para árbol de 5/8", con clasificación de 3800 R.P.M. o mayor.

- Eleve la hoja de la sierra a la altura máxima.
- Extraiga los pernos de retención del inserto de la mesa y el inserto de la mesa (Fig. 7, Claves No. 13 y 14).
- Retire la protección de la hoja/placa abridora o cuchillo divisor (Fig. 7, Claves No. 25 y 40).
- La sierra incluye dos llaves (Fig. 8, Claves No. 66 y 67). Coloque la llave de extremo abierto en la superficie plana del árbol (Fig. 8, No. 56). Coloque la llave de cubo en la tuerca del árbol (Fig. 8, Clave No. 59) y afloje la tuerca. Extraiga la tuerca, la brida y la hoja (Fig. 8, Claves No. 57, 58 y 59).
- Coloque una hoja nueva en el árbol. Asegúrese que los dientes de la hoja queden orientados hacia abajo y hacia la parte frontal de la hoja. Coloque la brida y la tuerca en el árbol y fije firmemente la hoja en su posición.
- Vuelva a colocar la protección de la hoja/placa abridora o cuchillo divisor.
- Vuelva a colocar el inserto de la mesa y apriete los pernos de retención del inserto de la mesa.

## AJUSTES DEL CONTRAGOLPE PARA LOS CONJUNTOS DE ELEVACION/DESCENSO DE LA HOJA Y DE INCLINACION DE LA HOJA

Consulte la Figura 8.

Si se detecta algún juego en los conjuntos de elevación/descenso de la hoja o de inclinación de la hoja, deberá realizar los siguientes ajustes.

**ADVERTENCIA:** Asegúrese que la sierra esté desconectada de la fuente de alimentación.

- Para ajustar el conjunto de elevación/descenso de la hoja, afloje la tuerca de seguridad (Clave No. 22) y gire el manguito excéntrico (Clave No. 36) hasta eliminar todo el juego del conjunto. Luego apriete la tuerca de seguridad.
- Para ajustar el conjunto de inclinación de la hoja, afloje la tuerca de seguridad (Clave No. 12) y gire el manguito excéntrico (Clave No. 26) hasta eliminar todo el juego del conjunto. Luego apriete la tuerca de seguridad.

## Acuerdos de Protección de Reparación

*¡Felicitaciones por su inteligente adquisición!* Su nuevo producto Profesional Craftsman® ha sido diseñado y fabricado para años de funcionamiento confiable. Pero, como todos los productos, podría necesitar reparación de vez en cuando. Es entonces cuando tener un Acuerdo de Protección de Reparación puede ahorrarle dinero y molestias.

**El Acuerdo de Protección de Reparación\* incluye lo siguiente:**

- Servicio experto** por nuestros 10,000 especialistas de reparación profesionales
- Servicio ilimitado y ningún cargo** por partes y mano de obra en todas las reparaciones cubiertas
- Reemplazo del producto** hasta un máximo de \$1500 si su producto cubierto no puede ser reparado
- Descuento de 10%** del precio regular de servicio y de las partes relacionadas instaladas no cubiertas por el acuerdo; también, un descuento de 10% del precio regular de las revisiones de mantenimiento preventivo
- Ayuda rápida por teléfono** – lo que nosotros llamamos Resolución Rápida – soporte por teléfono a cargo de un representante de Sears. Piense de nosotros como un “manual hablado del propietario”.

Una vez adquirido el Acuerdo de Protección de Reparación, sólo necesita llamar para fijar la visita de servicio técnico. Usted puede llamar a cualquier hora del día o la noche, o fijar la visita de servicio técnico a través de la red Internet.

El Acuerdo de Protección de Reparación es una compra sin riesgo. Si por cualquier razón usted lo cancela durante el período de la garantía del producto, le reembolsaremos el precio total de compra del acuerdo. O, una cantidad prorrateada en cualquier momento después del vencimiento del período de la garantía del producto. ¡Adquiera hoy su Acuerdo de Protección de Reparación!

**Se aplican algunas limitaciones y exclusiones. Para obtener precios e información adicional en EE.UU., llame al 1-800-827-6655. \*La cobertura en Canadá varía para algunos artículos. Para obtener todos los detalles, llame a Sears Canada al 1-800-361-6665.**

### Servicio de Instalación de Sears

*Para la instalación profesional de Sears* de aparatos electrodomésticos, abridores de puertas de garaje, calentadores de agua y otros artículos principales del hogar, en EE.UU. o Canadá, llame al **1-800-4-MY-HOME®**.



# NOTAS



## IDENTIFICACION DE PROBLEMAS

SINTOMA	CAUSA(S) POSIBLE(S)	MEDIDA CORRECTIVA
La sierra se detiene o no arranca	<ol style="list-style-type: none"> <li>1. El interruptor de circuito se disparó por sobrecarga</li> <li>2. La sierra se desenchufó del tomacorriente o se desconectó del motor</li> <li>3. Fusible quemado o interruptor de circuito disparado</li> <li>4. El cordón eléctrico está dañado</li> </ol>	<ol style="list-style-type: none"> <li>1. Deje que el motor se enfríe y después presione el interruptor de restablecimiento</li> <li>2. Revise todas las conexiones de los enchufes</li> <li>3. Cambie el fusible o restablezca el cortacircuitos</li> <li>4. Reemplace el cordón</li> </ol>
Vibración excesiva	<ol style="list-style-type: none"> <li>1. El banco está colocado sobre piso desnivelado</li> <li>2. La hoja de sierra está dañada</li> <li>3. La correa en V de impulsión esta dañada</li> <li>4. La polea está doblada</li> <li>5. El montaje del motor es erróneo</li> <li>6. Hay herrajes sueltos</li> <li>7. Afloje el tornillo de fijación en la polea</li> </ol>	<ol style="list-style-type: none"> <li>1. Coloque la sierra en una superficie plana y a nivel</li> <li>2. Reemplace la hoja de sierra</li> <li>3. Reemplace la correa en V</li> <li>4. Reemplace la polea</li> <li>5. Inspeccione y ajuste el motor</li> <li>6. Apriete los herrajes</li> <li>7. Apriete el tornillo de fijación</li> </ol>
No se puede hacer un corte recto al cortar transversalmente	La guía de ingletes no está ajustada correctamente	Ajuste la guía de ingletes
La hoja se para (sin embargo, el motor funciona)	<ol style="list-style-type: none"> <li>1. La correa de impulsión no está tensa</li> <li>2. La correa de impulsión está gastada</li> </ol>	<ol style="list-style-type: none"> <li>1. Ajuste la tensión de la correa de impulsión</li> <li>2. Reemplace la correa de impulsión</li> </ol>
La hoja no alcanza su velocidad total	<ol style="list-style-type: none"> <li>1. El cordón eléctrico de extensión es demasiado largo o el calibre del cable es demasiado pequeño</li> <li>2. El voltaje del taller es bajo</li> <li>3. El motor no está cableado para el voltaje correcto</li> </ol>	<ol style="list-style-type: none"> <li>1. Reemplácelo con un cordón eléctrico de calibre adecuado</li> <li>2. Comuníquese con la compañía eléctrica en su localidad</li> <li>3. Inspeccione la caja de empalmes del motor</li> </ol>
El corte se pega, se quema o se para cuando se está serrando a lo largo	<ol style="list-style-type: none"> <li>1. Hoja desafilada con un triscado de dientes inadecuado</li> <li>2. La hoja se atasca en uno de los extremos del corte (efecto de talón)</li> <li>3. Tabla arqueada o combada</li> <li>4. El reborde no está paralelo con la hoja</li> <li>5. El abridor o separador está desalineado</li> <li>6. La velocidad de paso del material es excesiva</li> </ol>	<ol style="list-style-type: none"> <li>1. Afile o reemplace la hoja</li> <li>2. Ajuste la mesa y el reborde para que estén paralelos con la hoja de la sierra</li> <li>3. Asegúrese que el lado cóncavo o abierto esté orientado hacia abajo, pase lentamente el material</li> <li>4. Ajuste el reborde para serrar a lo largo</li> <li>5. Ajuste el abridor o separador para que quede en línea con la hoja</li> <li>6. Disminuya la velocidad de paso del material</li> </ol>
No se puede cortar a través en las posiciones de 45° y 90°	Los topes positivos no están ajustados correctamente	Ajuste la inclinación de la hoja
Las ruedas manuales de inclinación y elevación no giran fácilmente	<ol style="list-style-type: none"> <li>1. Hay serrín en la cremallera y en los engranajes sinfín</li> <li>2. Collares de bujes demasiado apretados</li> <li>3. Las superficies de los rodamientos y los bujes están sucias</li> </ol>	<ol style="list-style-type: none"> <li>1. Limpie y vuelva a lubricar</li> <li>2. Ajuste correctamente</li> <li>3. Limpie cuidadosamente y lubrique</li> </ol>
El reborde se pega en el tubo guía	<ol style="list-style-type: none"> <li>1. Los rieles de guía o los aleros de extensión no están instalados correctamente</li> <li>2. La guía del reborde no está ajustada correctamente</li> </ol>	<ol style="list-style-type: none"> <li>1. Vuelva a ensamblar los rieles de guía</li> <li>2. Ajuste las guías</li> </ol>

## IDENTIFICACION DE PROBLEMAS (CONTINUACION)

SINTOMA	CAUSA(S) POSIBLE(S)	MEDIDA CORRECTIVA
Los fusibles o cortacircuitos se abren con frecuencia	<ol style="list-style-type: none"> <li>1. Motor sobrecargado</li> <li>2. Fusibles o cortacircuitos no tienen suficiente capacidad</li> </ol>	<ol style="list-style-type: none"> <li>1. Pase más lentamente la pieza de trabajo por la hoja</li> <li>2. Instale fusibles o cortacircuitos de capacidad correcta</li> </ol>
El material hace contragolpe en la hoja	<ol style="list-style-type: none"> <li>1. El reborde está desalineado</li> <li>2. El abridor o separador no está alineado con la hoja</li> <li>3. Se está cortando el material y el reborde no está instalado</li> <li>4. El separador no está instalado</li> <li>5. Hoja desafilada</li> <li>6. Se está soltando el material antes de que termine de pasar por la hoja</li> <li>7. Los dedos de retén anticontragolpe están desafilados</li> </ol>	<ol style="list-style-type: none"> <li>1. Alinee el reborde para serrar a lo largo con la guía de ingletes</li> <li>2. Alinee el cuchillo divisor/placa abridora con la hoja</li> <li>3. Utilice siempre el reborde guía para serrar a lo largo o la guía de ingletes</li> <li>4. Instale una placa abridora o cuchillo divisor</li> <li>5. Reemplace la hoja</li> <li>6. Empuje el material completamente hasta pasar por la hoja antes de soltar la pieza de trabajo</li> <li>7. Reemplace o afile el retén anticontragolpe</li> </ol>
El corte de la sierra es insatisfactorio	<ol style="list-style-type: none"> <li>1. Hoja desafilada</li> <li>2. La hoja está invertida</li> <li>3. Hay goma o resina en la hoja</li> <li>4. La hoja no es apropiada para el tipo de corte</li> <li>5. Hay goma o resina en la superficie de la mesa</li> </ol>	<ol style="list-style-type: none"> <li>1. Afíle o reemplace la hoja</li> <li>2. Invierta la hoja</li> <li>3. Retire la hoja y límpiela</li> <li>4. Cambie la hoja por una de tipo correcto</li> <li>5. Limpie la superficie de la mesa</li> </ol>

# Get it fixed, at your home or ours!

## Your Home

For expert troubleshooting and home solutions advice:

**manage my home**

[www.managemyhome.com](http://www.managemyhome.com)

---

For repair – **in your home** – of **all** major brand appliances, lawn and garden equipment, or heating and cooling systems, **no matter who made it, no matter who sold it!**

For the replacement parts, accessories and owner's manuals that you need to do-it-yourself.

For Sears professional installation of home appliances and items like garage door openers and water heaters.

**1-800-4-MY-HOME<sup>®</sup>** (1-800-469-4663)

Call anytime, day or night (U.S.A. and Canada)

[www.sears.com](http://www.sears.com)      [www.sears.ca](http://www.sears.ca)

---

## Our Home

For repair of carry-in items like vacuums, lawn equipment, and electronics, call anytime for the location of your nearest

**Sears Parts & Repair Service Center**

**1-800-488-1222** (U.S.A.)      **1-800-469-4663** (Canada)

[www.sears.com](http://www.sears.com)      [www.sears.ca](http://www.sears.ca)

---

To purchase a protection agreement on a product serviced by Sears:

**1-800-827-6655** (U.S.A.)      **1-800-361-6665** (Canada)

---

Para pedir servicio de reparación a domicilio, y para ordenar piezas:

**1-888-SU-HOGAR<sup>®</sup>**

(1-888-784-6427)

Au Canada pour service en français:

**1-800-LE-FOYER<sup>MC</sup>**

(1-800-533-6937)

[www.sears.ca](http://www.sears.ca)

**Sears**

© Registered Trademark / <sup>TM</sup> Trademark / <sup>SM</sup> Service Mark of Sears Brands, LLC

© Marca Registrada / <sup>TM</sup> Marca de Fábrica / <sup>SM</sup> Marca de Servicio de Sears Brands, LLC

<sup>MC</sup> Marque de commerce / <sup>MD</sup> Marque déposée de Sears Brands, LLC

© Sears Brands, LLC