



SOLTRONICS

Hand Blender

SLC-BLENDER01



SLC-BLENDER01 Hand Blender

Instruction Manual

Important Hints

Read this instruction manual carefully before operating this unit.



Meaning of crossed –out wheeled dustbin:

Do not dispose of electrical appliances as unsorted municipal waste, use separate collection facilities. Contact your local government for information regarding the collection systems available.

If electrical appliances are disposed of in landfills or dumps, hazardous substances can leak into the groundwater and get into the food chain, damaging your health and well-being.

When replacing old appliances with new ones, the retailer is legally obligated to take back your old appliance for disposals at least free of charge.

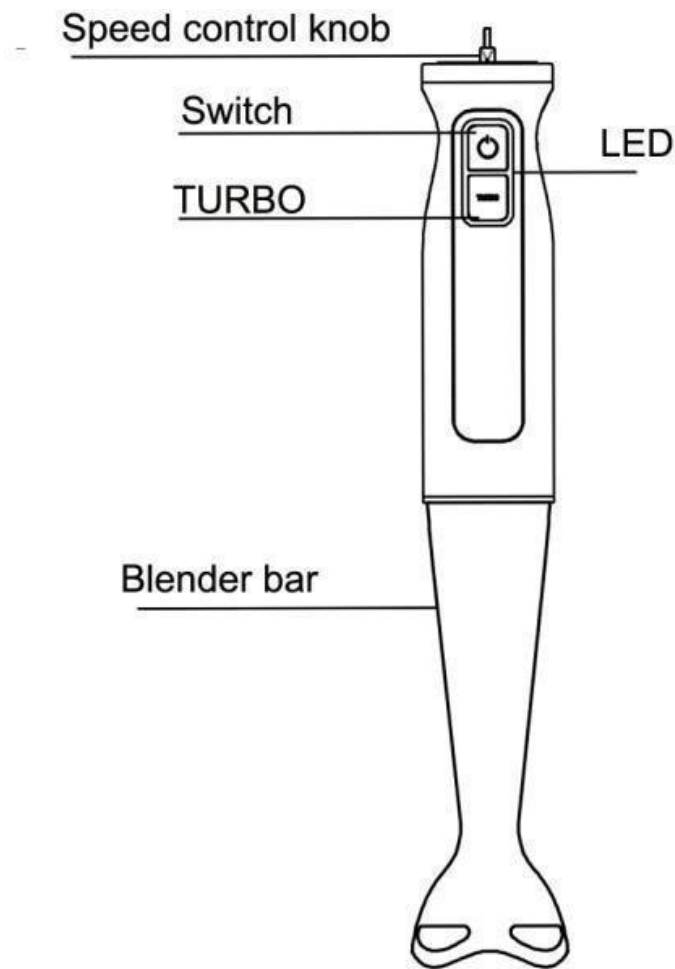
Important Caution

1. Blades are sharp. Handle carefully when removing, inserting or cleaning. Exercise the same care when removing, inserting the chopping blade or disc for the food processor and chopper accessories. Always verify that the accessory enclosure is free of cracks or other damages.
2. The appliance is not intended for use by persons with reduced physical, sensory or mental capabilities, or lack of experience and knowledge, unless they have been given supervision or instructions concerning use of the appliance by a person responsible for their safety.
3. This appliance should not be used by children and care should be taken when used near children.
4. Remove any packaging materials and promotional labels before using the appliance for the first time.
5. Turn the appliance off. Unplug from outlet when not in use, before putting on or taking off parts, and before cleaning. To unplug, grasp plug and pull from electrical outlet. Never pull cord.
6. To protect against electrical shock, do not put the motor body, cord or electrical plug of this hand blender in water or other liquids. Only the detachable blending shaft and other certain parts of this appliance have been designed for immersion into water or other liquids. Never submerge any other part of this unit. If hand blender falls into liquid, unplug first, then remove immediately. Do not reach into the liquid without unplugging the unit first.
7. The use of attachments/accessories not sold or recommended by Braun may cause fire, electrical shock or risk of injuries to persons.
8. Regularly inspect the power cord, power plug and actual appliance for any damage. Do not operate if damaged in any way or after the appliance malfunctions. Immediately cease use of the appliance and call Braun Customer Service for examination, repair or adjustment.
9. Avoid any contact with blades or moveable parts.
10. Do not use outdoors or for anything other than its intended purpose.

11. Keep hands and utensils out of the container while blending to prevent the possibility of severe injury to persons or damage to the unit. A scraper may be used, but must be used only when the unit is not running.
12. Detach blending shaft from the motor body before washing the blades or shaft.
13. When mixing liquids, especially hot liquids, use a tall container or make small quantities at a time to reduce spillage, splattering and possibility of injury from burning.
14. The metal blending shaft and whisk may scratch or mark non-stick coatings. Do not use in non-stick cookware.
15. Be certain the food processor attachment cover is securely locked in place before operating appliance. Do not attempt to remove cover until blade has stopped rotating.
16. Check work bowl for presence of foreign objects before using.
17. Do not let any cord hang over the edge of the table or counter. Do not let cord contact hot surfaces, including stovetop.
18. Maximum rating is based on the «bf» chopper (MQ 20 chopper + adapter) that draws the greatest power and other recommended attachments may draw significantly less power.
19. The «bf» chopper is intended for processing small quantities of food for immediate consumption, and is especially recommended for preparing baby food. The appliance is not intended to prepare large quantities of food at one time.
20. Double-blade knife is sharp. Handle carefully. Use extreme care when removing or replacing knife blade.
21. Bowl must be in place before replacing knife blades.
22. Do not operate your appliance in an appliance garage or under a wall cabinet.
23. We suggest you save all packing materials in the event that future shipping of the machine is needed. Keep all plastic bags away from children.
24. This appliance has a polarized plug (one blade is wider than the other). To reduce the risk of electric shock, this plug will fit in a polarized outlet only one way. If the plug does not fit fully in the outlet, reverse the plug. If it still does not fit, contact a qualified electrician. Do not modify the plug in any way.

**SAVE THESE INSTRUCTIONS
FOR HOUSEHOLD USE ONLY
WARNING: RISK OF FIRE OR ELECTRIC SHOCK**

Name of Parts



Technical parameter

Model	SLC-BLENDER01	Product Material	Stainless Steel
Rated Voltage	110~120V	Rated Frequency	60Hz
Rated Power	500W	Model Depose Patent Pending	☐
Rated working time	≤1min	Rated Interval Time	≥1min

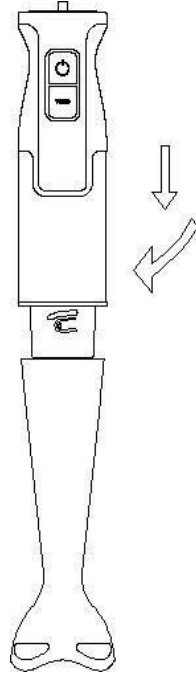
Features:

1. It can be used for stirring, squeezing juice, beating eggs, beating butter, ground meat, etc.
2. Stainless steel mixing blade with lotus-shaped anti-sputtering blade cover.
3. Ergonomic mainframe design.
4. It can be hung on the wall after use.

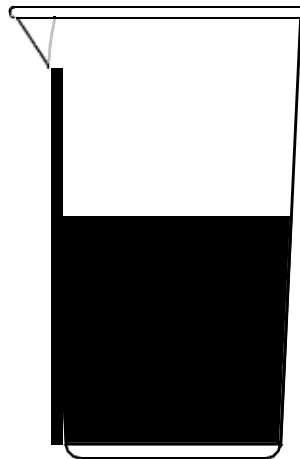
OPERATION GUIDE

The hand blender is perfectly suited for preparing dips, sauces, mayonnaise and baby food as well as for mixing and milkshakes.

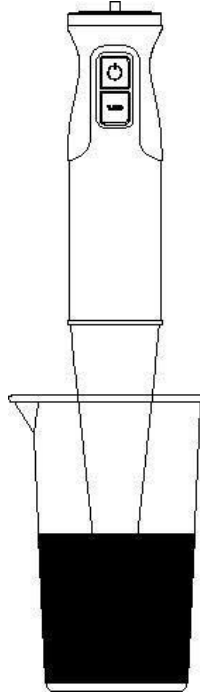
1. Insert the blender bar into motor unit, turn clockwise to lock it into motor unit.



2. Put ingredients in the beaker, to prevent splattering, immerse the blade guard completely in the ingredients. (Beaker maximum capacity 600ml). You can use the hand blender in the beaker and just as well in any other vessel.



3. Switch the appliance on by pressing the turbo or switch.
4. Speed regulation switch can use speed control knob.
5. Blend the ingredients by moving the appliance slowly up, down and in circles.



CLEANING AND MAINTENANCE

1. Before cleaning, unplug the appliance and detach the accessories.
2. Wipe the motor unit, the chopper coupling unit, the whisk coupling unit with a moist cloth, do not immerse them in water. Other accessories can put the dishwasher or the water clean.
3. If food is not easily rinsed off the blade or whisk, place a drop of dish detergent in the mixing container with water. Plug cord into outlet. Immerse the blade end portion or whisk and operate the unit for about 10 seconds. Unplug, rinse under running water, and then dry.
4. When will not use long time, keep this appliance well ventilated at the aridity of place to prevent the motor of appliance is affected with damp.

CAUTION :

1. The cutting edges of the blades are very sharp, cleaning it must be carefully!
2. The machine must be completely stopped before it can be plugged or unplugged. Before the machine is completely stopped, plugging and unplugging the starter head and the cutter head in the function can easily cause damage to the connector.