

Vacuum Cleaner 2 in 1 (bag & bagless)

User's manual

EN



SENCOR®

SVC 900

Before first use, please read all instructions contained in this user manual carefully, even if you are already familiar with using similar products. Only use this product in accordance with the instructions described in the user manual. Keep the user's manual in a safe place where it can be easily retrieved for future use.

Save the original packaging, material, warranty card and proof of purchase receipt, at least for the duration of the warranty policy. If you need to ship this product, pack it in the original cardboard box to ensure maximum protection during shipping or transport (e.g., when moving or when you need to send this product for repair).

CONTENTS

IMPORTANT SAFETY NOTICE	3
DESCRIPTION	4
ASSEMBLY	5
INSTRUCTIONS FOR USE	5
STORAGE AND ACCESSORIES	6
CLEANING AND MAINTENANCE	7
TROUBLESHOOTING	9
TECHNICAL SPECIFICATIONS	10
PACKAGE CONTENTS	10
DISPOSAL OF USED ELECTRICAL AND ELECTRONIC DEVICES	11
INSTRUCTIONS AND INFORMATION REGARDING THE DISPOSAL OF USED PACKAGING MATERIALS	11

Vacuum Cleaner 2 in 1 (bag & bagless)

SVC 900

EN

IMPORTANT SAFETY NOTICE

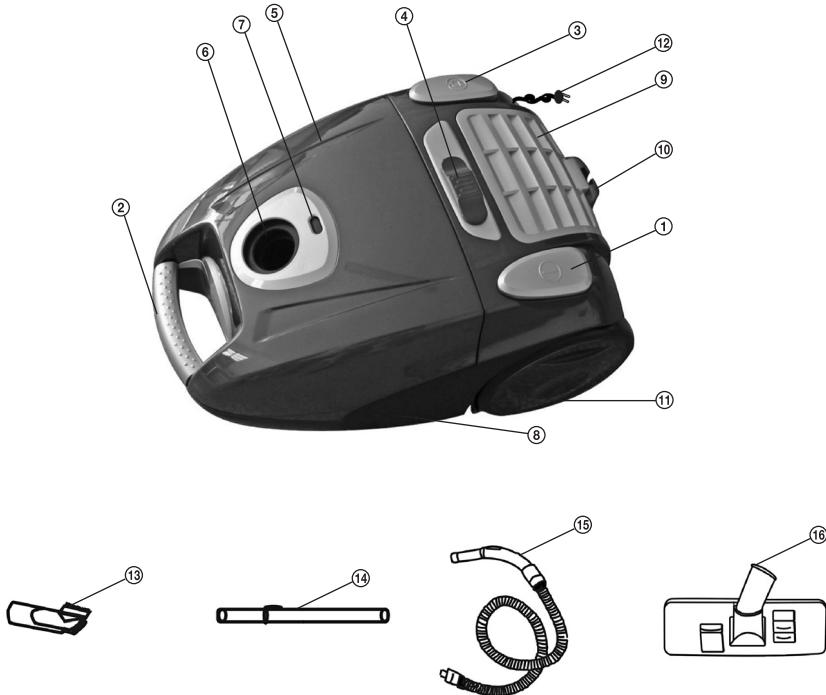
- 1) Carefully unpack the product and take care not to throw away any part of the packaging before you find all the parts of the product.
- 2) This appliance must not be used by persons (including children) with mental disabilities, weak strength or by inexperienced persons, unless properly trained or schooled in the safe use of the appliance, or unless they have been properly supervised by a qualified person who will be responsible for their safety.
- 3) Never use accessories that have not been delivered with this product or are not intended for it.
- 4) Under no circumstances should you try to repair or alter the appliance on your own — danger of electric shock! Entrust all repairs and adjustments to a specialised company/service. Failure to do so will void the warranty.
- 5) Only store and use the product away from flammable or volatile substances.
- 6) Do not expose the product to extreme heat, direct sunlight or excessive humidity.
- 7) Do not place the product near heaters, open fires or other appliances or equipment that are sources of heat.
- 8) This appliance is designed for household use. Do not use in industrial surroundings or outdoors!
- 9) Do not use the product for other purposes than those intended.
- 10) Before connecting this product to an electrical outlet, make sure the voltage stated on the label of the product corresponds to the voltage in your wall socket.
- 11) Do not place the power cord near hot surfaces, or over sharp objects. Do not place heavy objects on the power cord. Place the cord in such a way that no one will step on it or trip over it. Make sure the power cord is not touching a hot surface.
- 12) If the power cord of the product is damaged, have an authorised service or qualified person replaced it, in order to prevent dangerous situations. It is forbidden to use the product if it has a damaged power cord or power plug.
- 13) Do not disconnect the power cord from the wall outlet by pulling the cord.
- 14) Do not spray the product with water or any other liquid. Do not pour water or any other liquids into the product. Do not submerge the product in water or any other liquid.
- 15) Never use the product near a bathtub, wash basin or any other container filled with water.
- 16) If you are not using the product, or if you know that you will not be using it soon, turn it off and disconnect the power cord from the wall socket. Prior to cleaning, proceed in the same manner.
- 17) Never leave the appliance switched on without supervision.
- 18) Use extra care if the product is used near children. Always keep the product out of the reach of children. Children must be supervised to ensure that they do not play with the product.
- 19) If the product is being used, do not block the air input and output openings. Blocked air vents can cause overheating and motor damage.
- 20) Vacuuming the below mentioned objects can damage your product or cause injuries to the operating person:
 - wet floor, water or other liquids,
 - any type of sharp objects such as broken glass or ceramics, needles, pins, etc.
 - burning cigarettes, or smouldering pieces, matches or any other flammable or volatile liquids (e.g. gasoline, paint thinners, etc.).
 - flour, cement, plaster or dust from holes drilled in walls
- 21) In order to avoid damages to furniture or injuries to persons, hold the cable in your hand as it winds up.
- 22) Pulling the cord from the socket with force may damage it.
- 23) Do not vacuum larger pieces of paper or plastic bags. They can easily block the pipe or hose. If the product becomes blocked, turn it off by disconnecting the power cord from the socket and clean the pipe or hose.
- 24) In order to avoid damage to the hose, do not step on it or forcefully bend it. Do not use the vacuum cleaner if the hose is bent or damaged in any way.
- 25) Do not move over the power cord with the vacuum cleaner.

Vacuum Cleaner 2 in 1 (bag & bagless)

SVC 900

- 26) Never use the vacuum cleaner without the protective motor filter, the output filter, the dust container or the HEPA filter.
- 27) Do not place the vacuuming hose, inlet nozzle or vacuuming accessories near to your eyes or ears.
- 28) Vacuuming of some types of floors or floor tiles can create a static electricity charge, which is not dangerous for the user.
- 29) The manufacturer is not responsible for damages caused by incorrect use of this appliance or its accessories. Such damages include food spoilage, injuries, burns, scalding, fire, etc.

PRODUCT DESCRIPTION



- | | | | |
|---|----------------------|---|-------------------------------------|
| ① | START/STOP button | ⑨ | grill of the inflow H.E.P.A. filter |
| ② | handle | ⑩ | parking position |
| ③ | cable winding button | ⑪ | wheel |
| ④ | motor output control | ⑫ | power cable |
| ⑤ | front cover | ⑬ | combination nozzle |
| ⑥ | air suction opening | ⑭ | telescopic tube |
| ⑦ | full bag indicator | ⑮ | hose |
| ⑧ | chassis | ⑯ | floor inlet nozzle |

Vacuum Cleaner 2 in 1 (bag & bagless)

SVC 900

EN

ASSEMBLY

Insert the hose into the air suction opening

Press both the safety buttons on the end of the hose end and insert the hose end into the air suction opening on the vacuum cleaner until you hear a "click". The hose is now secured in the correct position.

Attach the holder to the telescopic tube

Make sure to install the holder on the wider part of the telescopic tube.

Attach the floor inlet nozzle to the telescopic tube

Make sure the floor nozzle is attached the narrower part of the telescopic tube.

Adjust the length of the telescopic tube

Adjust the length of the telescopic tube as follow: Move and hold the button on the tube forward as shown by arrows and adjust the length of the tube as needed. Release the button and move the tube slightly forward until you hear a "click". The telescopic tube is now securely fixed in position.

Select the type of dust container

It is possible to use this vacuum cleaner both with and without bags. Choose your preferred vacuuming mode and depending on that insert either a dust container (pic. 1) or a dust bag (pic. 2).

picture 1



picture 2



Note:

When using the dust bag do not forget to insert the supplied plastic foam filter into the grooves in front of the motor.

INSTRUCTIONS FOR USE

Connecting your vacuum cleaner to the electrical power network

Pull the plug attached to the power cord out from the vacuum cleaner until the desired length of the cable is out of the appliance. Insert the plug to the wall outlet.

Vacuum Cleaner 2 in 1 (bag & bagless)

SVC 900

**Caution:**

Yellow marking on the supply cable warns that the cable is close to its end. Do not pull the cable more than to the red marking.

Adjusting the floor inlet nozzle according to the floor surface.

You may set the inlet nozzle according to the floor surface by adjusting the inlet flap:

- If you want to vacuum carpets, close the bristles of the inlet inside the inlet nozzle, by turning the flap accordingly.
- If you want to vacuum hard and smooth surface, move the bristles out of the nozzle, by turning the flap accordingly.

Turning your vacuum cleaner on and off

To switch your machine on or off, press the START / STOP button on the vacuum cleaner body.

Adjusting the suction strength

The suction strength may be adjusted by moving the rider on the vacuum cleaner body (small range) or by the moveable rider on the hose handler.

**Tip:**

If the hose holder becomes blocked when vacuuming, disconnect it from the telescopic tube and also disconnect the hose from the vacuum cleaner body. Then place the holder inside the suction hole on the vacuum cleaner body and vacuum the stuck dirt out.

Temporary interruption of the vacuuming process

If you want to temporarily stop the vacuuming process, place the telescopic tube using the notches on the floor hose into one of the parking positions - at the back or bottom of the vacuum cleaner.

**Caution:**

Do not move the appliance from place to place if the hose is in the parking position! You may brake off the parking position holder!

Using your accessories

A combination nozzle is located in the bottom part of the vacuum cleaner:

- When in the standard setting you can use it as a slit nozzle for vacuuming hard to reach places (e.g. windows, corners, bookshelves, area between mattresses, upholstery, etc.).
- By extending the brush you can use it as a pillow hose (e.g. vacuuming of beds, upholstery, etc.).

Ending the vacuuming process

When you finish vacuuming, switch the vacuum cleaner off by pressing the START/STOP button and then disconnect the supply cable plug from the socket.

To wind the power cord back to the vacuum cleaner, press and hold the winding button with one hand. Hold the cable with your other hand to protect the vacuum cleaner input area from damage.

**Tip:**

If the winding process stops and part of the power cord is still outside, release the winding button and pull the cable out again by about 50 cm and press the winding button again and repeat the winding process.

Carrying your vacuum cleaner

If you need to carry the vacuum cleaner, hold it only by the handle.

STORAGE AND ACCESSORIES

Before storage you may disassemble your vacuum cleaner into its individual parts or you may store it assembled with the telescopic tube stored in one of the "parking" positions (the rear or bottom position).

Vacuum Cleaner 2 in 1 (bag & bagless)

SVC 900

EN

CLEANING AND MAINTENANCE



Caution:

Before cleaning disconnect this product from the power source.

Changing the dust bag

If while the suction hose is lifted above the vacuumed area and the power is set to maximum and the indicator seen through the clear window shows "full" (full colour in the indicator) then it is necessary to replace the dust bag:

- 1) Open the vacuum cleaner cover.
- 2) Remove the old dust bag.
- 3) Insert a new one in the same position.
- 4) Close the vacuum cleaner cover.



Caution:

Never attempt to wash paper bags as they are single use only and once full are to be disposed of together with household waste. It is only possible to wash textile bags!

Emptying the dust container

- 1) Disconnect the hose from the vacuum cleaner.
- 2) Open the vacuum cleaner cover and remove the dust container by pulling it up with its handle.
- 3) Place the dust container above a waste bin.
- 4) Press the safety lock and open the bottom lid of the container.



- 5) Dust and dirt may be put in regular household waste.
- 6) Then by turning remove the H.E.P.A. filter from the container and tip out the remaining dust and dirt.



- 7) Insert the H.E.P.A. filter back into the container and turn it to lock it into position.
- 8) Close the bottom lid of the container. Make sure the safety lock button is engaged.
- 9) Place the dust container back into the vacuum cleaner.



Tip:

We recommend washing the dust container and the dust filter under running, lukewarm water.


Caution:

Before installing the dust container and the dust filter back into your appliance, make sure that both the container and the filter are completely dry.

Replacing the inlet foam filter


Note:

The input plastic foam filter is only used when using the mode with the dust bag! When not using the dust bag a dust container is inserted in the grooves in front of the motor and so it is not possible to use a filter.

- 1) Open the vacuum cleaner cover and take out the frame with the inflow filter.
- 2) Replace the inflow plastic foam filter with a new one a together with the frame put it back into the vacuum cleaner. Ensure that the ribbing of the filter frame always faces outwards and that the black foam part of the filter faces outwards also.

Replacement of the inflow H.E.P.A. filter

- 1) Disconnect the hose from the vacuum cleaner.
- 2) Open the vacuum cleaner cover and remove the dust container by pulling it up with its handle.
- 3) Press the safety lock and open the bottom lid of the container.



- 4) By turning remove the H.E.P.A. filter from the container and replace with a new one.



- 5) Insert the H.E.P.A. filter back into the container and turn it to lock it into position.
- 6) Close the bottom lid of the container. Make sure the safety lock button is engaged.
- 7) Place the dust container back into the vacuum cleaner.

Replacement of the outflow H.E.P.A. filter

- 1) Press the safety lock to open the frame of the outflow filter.
- 2) Replace the outflow filter together with its plastic frame.
- 3) Replace the plastic foam filter with a new one a together with the frame put it back into the vacuum cleaner. Ensure that the black foam always faces into the vacuum cleaner and the white foam outwards. This will ensure that at the outflow the rough particles will be filtered out before the fine particles.

To clean the outer parts of the vacuum cleaner, use a soft cloth dipped in lukewarm water. Do not use harsh cleaning fluids, paint thinners or solvents. These can damage the surface of the appliance.

Vacuum Cleaner 2 in 1 (bag & bagless)

SVC 900

EN

TROUBLESHOOTING

Before you decide to contact authorized service centre, read these following tips in the troubleshooting chart:

Problem	Possible cause	Recommended action
The engine will not start.	<ul style="list-style-type: none">- The supply cable is not connected correctly in the wall power outlet.- The wall power outlet is damaged.- The vacuum cleaner is not switched on.	<ul style="list-style-type: none">- Insert the plug firmly into the power outlet.- Inspect the power outlet.- Turn the appliance on.
The suction output is insufficient.	<ul style="list-style-type: none">- The appliance is blocked.- The dust filter needs cleaning.- The dust container is inserted in the wrong position.- Filter is clogged.	<ul style="list-style-type: none">- Remove the clogging or foreign object.- Clean the dust filter.- Close the dust container.- Clean the filter.
The power cord is not wound in completely.	The power cord may have slipped down from the winding pulley during winding.	Hold the power cord during the winding. Apply slight tension (by pulling the power cord back) to the power cord during the winding process.
The cable cannot be pulled out.	The cable is wound up incorrectly.	Press the winding button and try to rewind the power cord again.
The output control does not function.	The appliance has broken down.	Have the vacuum cleaner repaired by technician (only by qualified technician).
The power cord starts to wind in when you do not require it to do so.	The winding mechanism has broken down.	Have the vacuum cleaner repaired by technician (only by qualified technician).
The dust container cannot be closed.	The dust filter is inserted incorrectly or in an incorrect position.	Reinstall and secure the filter in position and try again.

TECHNICAL SPECIFICATIONS

Rated voltage:	220 - 240 V AC (alternate current)
Nominal frequency:	50-60 Hz
Rated power:	900 W
Electric shock protection class:	II
Noise level:	80 dB (A)
Length of power cord:	5 m
Operational range:	7.5 m
Weight:	5,6 kg

The declared noise emission level of the appliance is 80 dB(A), which represents a level A of acoustic power with respect to a reference acoustic power of 1 pW.

PACKAGE CONTENTS

- 1x vacuum cleaner
- 1x floor inlet nozzle
- 1x telescopic tube
- 1x hose
- 1x combination nozzle
- 1x dust container
- 1x dust bag
- 1x inflow filter
- 1x outflow filter
- 1x user's manual
- 1x warranty card

Changes in text and technical parameters reserved.

Vacuum Cleaner 2 in 1 (bag & bagless)

SVC 900

EN

PRODUCT INFORMATION SHEET

Name/trademark	SENCOR
Model identification number	SVC 900
Energy efficiency class *	B
Annual power consumption (in kWh)**	33,2 (33,6 ***)
Carpet cleaning efficiency class	D (E ***)
Hard floor cleaning efficiency class	B
Vacuum cleaner dust emission class	D
Level of acoustic power (dB(A))	80
Nominal power input (W)	900W

* Class A (highest efficiency class, low power consumption) to Class G (lowest efficiency class, high power consumption)

** Approximate annual power consumption (in kWh per year) based on 50 cleaning cycles. Actual power consumption will depend on how the appliance is used.

*** bagless configuration

The values are determined pursuant to (EU) No. 665/2013.

INSTRUCTIONS AND INFORMATION REGARDING THE DISPOSAL OF USED PACKAGING MATERIALS

Dispose of packaging material at a public waste disposal site.

DISPOSAL OF USED ELECTRICAL AND ELECTRONIC APPLIANCES



The meaning of the symbol on the product, its accessory or packaging indicates that this product shall not be treated as household waste. Please, dispose of this product at your applicable collection point for the recycling of electrical & electronic equipment waste. Alternatively in some states of the European Union or other European states you may return your products to your local retailer when buying an equivalent new product. The correct disposal of this product will help save valuable natural resources and help in preventing the potential negative impact on the environment and human health, which could be caused as a result of improper liquidation of waste. Please ask your local authorities or the nearest waste collection centre for further details. The improper disposal of this type of waste may fall subject to national regulations for fines.

For business entities in the European Union

If you wish to dispose of an electrical or electronic device, request the necessary information from your seller or supplier.

Disposal in other countries outside the European Union

If you wish to dispose of this product, request the necessary information about the correct disposal method from local government departments or from your seller.



This product meets all the basic EU regulation requirements that relate to it.

Changes to the text, design and technical specifications may occur without prior notice and we reserve the right to make these changes.