



DOUBLE REFRIGERATOR DRAWERS REFRIGERATOR/FREEZER DRAWERS DOUBLE FREEZER DRAWERS

Installation Instruction and Use & Care Guide

For questions about features, operation/performance, parts, accessories, or service, call: **1-800-688-1100** or visit our website at...

www.jennair.com

In Canada, call: **1-800-807-6777**, or visit our website at...

www.jennair.ca

CAJÓN REFRIGERADO DOBLE CAJONES REFRIGERADOS/CONGELADOS CAJONES CONGELADOS DOBLES

Manual de Uso y Cuidado

Para consultas respecto a características, operación/desempeño, partes, accesorios o servicio, llame al: **1-800-688-100** o visite nuestra página de internet...

www.jennair.com

En Canadá, llame al: **1-800-807-6777** o visite nuestra página de internet...

www.jennair.ca

DDOUBLE TIROIR RÉFRIGÉRÉ TIROIRS DE RÉFRIGÉRATION/CONGÉLATION DOUBLE TIROIR DE CONGÉLATION

Guide d'utilisation et d'entretien

Au Canada, pour assistance, installation ou service, composez le **1-800-807-6777** ou visitez notre site web à...

www.jennair.ca

Table of Contents/Índice/Table des matières2

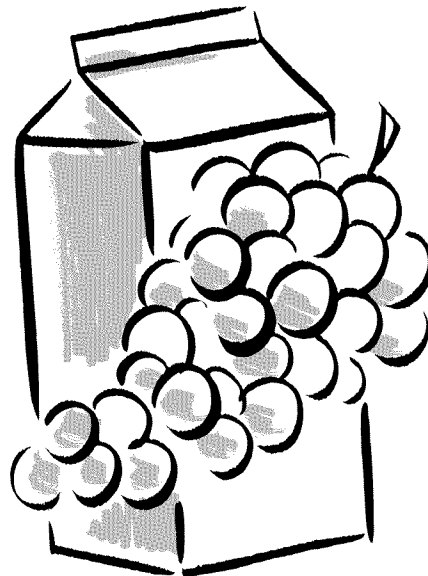


TABLE OF CONTENTS

REFRIGERATOR DRAWERS SAFETY	3	BEFORE USE	10
Proper Disposal of Your Old Refrigerated Appliance.....	3	REFRIGERATOR DRAWERS USE	11
DESIGN SPECIFICATIONS	4	Normal Sounds.....	11
24" Drawer Models.....	4	Ensuring Proper Air Circulation.....	11
INSTALLATION REQUIREMENTS	5	Using the Controls.....	11
Tools and Parts.....	5	Ice Maker and Water Filtration System.....	13
Location Requirements.....	5	REFRIGERATOR DRAWERS CARE	14
Electrical Requirements.....	5	Cleaning.....	14
Water Supply Requirements.....	6	Power Interruptions.....	14
Product Dimensions.....	6	Vacation Care.....	14
Style 2: Custom Overlay Drawer Panels.....	7	TROUBLESHOOTING	15
INSTALLATION INSTRUCTIONS	8	ASSISTANCE OR SERVICE	16
Unpack the Refrigerator Drawers.....	8	In the U.S.A.	16
Connect Water Supply.....	8	In Canada.....	16
Move the Refrigerator Drawers to Final Location.....	9	Accessories.....	17
Level the Refrigerator Drawers.....	9	WATER FILTER CERTIFICATIONS	17
Install Custom Overlay Panel.....	10	PRODUCT DATA SHEETS	18
Water Filtration System.....	10	WARRANTY	19
Complete Installation.....	10		

ÍNDICE

SEGURIDAD DE LOS CAJONES REFRIGERADOS	20	Complete la instalación.....	27
Cómo deshacerse adecuadamente de su aparato refrigerado viejo.....	20	ANTES DEL USO	28
ESPECIFICACIONES DE DISEÑO	21	USO DE LOS CAJONES REFRIGERADOS	28
Modelos de cajón de 24".....	21	Sonidos normales.....	28
REQUISITOS DE INSTALACIÓN	22	Cómo asegurar la debida circulación de aire.....	28
Piezas y herramientas.....	22	Uso de los controles.....	28
Requisitos de ubicación.....	22	Fábrica de hielo y sistema de filtración de agua.....	30
Requisitos eléctricos.....	22	CUIDADO DE LOS CAJONES REFRIGERADOS	31
Requisitos del suministro de agua.....	23	Limpieza.....	31
Medidas del producto.....	23	Cortes de corriente.....	31
Estilo 2: Paneles de los cajones recubiertos a la medida.....	24	Cuidado durante las vacaciones.....	32
INSTRUCCIONES DE INSTALACIÓN	25	SOLUCIÓN DE PROBLEMAS	32
Cómo desempacar los cajones refrigerados.....	25	AYUDA O SERVICIO TÉCNICO	34
Conexión del suministro de agua.....	25	En los EE.UU.	34
Mueva los cajones refrigerados a su posición final.....	26	En Canadá.....	34
Nivelación de los cajones refrigerados.....	26	Accesorios.....	34
Cómo instalar el panel recubierto a la medida.....	27	HOJA DE DATOS DEL PRODUCTO	35
Sistema de filtración de agua.....	27	GARANTÍA	36

TABLE DES MATIÈRES

SÉCURITÉ DES TIROIRS RÉFRIGÉRÉS	37	Achever l'installation.....	44
Mise au rebut correcte de votre vieil appareil réfrigéré.....	37	AVANT L'UTILISATION	44
SPÉCIFICATIONS DE DESIGN	38	UTILISATION DES TIROIRS RÉFRIGÉRÉS	45
Modèles de tiroirs de 24".....	38	Sons normaux.....	45
EXIGENCES D'INSTALLATION	39	Pour assurer une circulation d'air correcte.....	45
Outils et pièces.....	39	Utilisation des commandes.....	45
Exigences d'emplacement.....	39	Machine à glaçons et système de filtration d'eau.....	47
Spécifications électriques.....	39	ENTRETIEN DES TIROIRS RÉFRIGÉRÉS	48
Spécifications de l'alimentation en eau.....	40	Nettoyage.....	48
Dimensions du produit.....	40	Pannes de courant.....	48
Style 2 : Panneaux décoratifs de tiroirs personnalisés.....	41	Entretien avant les vacances.....	48
INSTRUCTIONS D'INSTALLATION	42	DÉPANNAGE	49
Déballage des tiroirs réfrigérés.....	42	ASSISTANCE OU SERVICE	50
Raccordement de l'alimentation en eau.....	42	Aux États-Unis.....	50
Déplacement des tiroirs réfrigérés à leur emplacement final.....	43	Au Canada.....	50
Réglage de l'aplomb des tiroirs réfrigérés.....	43	Accessoires.....	50
Installation du panneau décoratif personnalisé.....	43	FEUILLES DE DONNÉES SUR LE PRODUIT	51
Système de filtration de l'eau.....	44	GARANTIE	52

REFRIGERATOR DRAWERS SAFETY

Your safety and the safety of others are very important.

We have provided many important safety messages in this manual and on your appliance. Always read and obey all safety messages.



This is the safety alert symbol.

This symbol alerts you to potential hazards that can kill or hurt you and others.

All safety messages will follow the safety alert symbol and either the word “DANGER” or “WARNING.” These words mean:

⚠ DANGER

You can be killed or seriously injured if you don't immediately follow instructions.

⚠ WARNING

You can be killed or seriously injured if you don't follow instructions.

All safety messages will tell you what the potential hazard is, tell you how to reduce the chance of injury, and tell you what can happen if the instructions are not followed.

IMPORTANT SAFETY INSTRUCTIONS

WARNING: To reduce the risk of fire, electric shock, or injury when using your refrigerator drawer(s), follow these basic precautions:

- Plug into a grounded 3 prong outlet.
- Do not remove ground prong.
- Do not use an adapter.
- Do not use an extension cord.
- Disconnect power before servicing.
- Replace all parts and panels before operating.
- Remove door or drawer(s) from your old refrigerated appliance.
- Use nonflammable cleaner.
- Keep flammable materials and vapors, such as gasoline, away from refrigerator drawer(s).
- Use two or more people to move and install refrigerator drawer(s).

SAVE THESE INSTRUCTIONS

Proper Disposal of Your Old Refrigerated Appliance

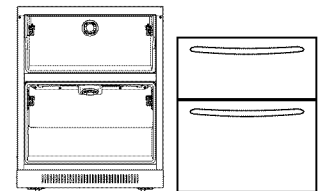
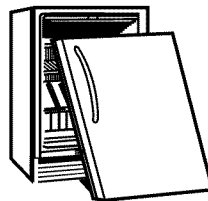
⚠ WARNING

Suffocation Hazard

Remove door or drawer(s) from your old refrigerated appliance.

Failure to do so can result in death or brain damage.

Before You Throw Away Your Old Refrigerated Appliance:
Remove the door or drawer(s).



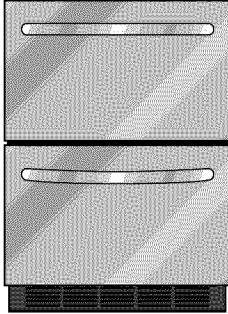
IMPORTANT: Child entrapment and suffocation are not problems of the past. A junked or abandoned refrigerated appliance is still dangerous – even if it will sit for “just a few days.” If you are getting rid of your old refrigerated appliance, please follow these instructions to help prevent accidents.

DESIGN SPECIFICATIONS

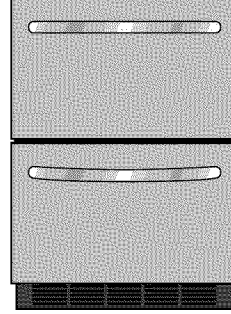
24" Drawer Models

Double Refrigerator Drawers

Two refrigerator drawers provide additional storage options in the kitchen or other areas of the home.



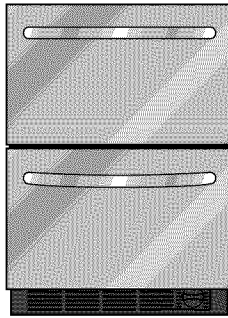
**Euro Series
JUD248RCRS**



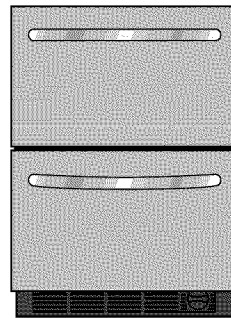
**Overlay - Custom Panels and Handles Required
JUD248RCCX**

Refrigerator/Freezer Drawers (with ice maker and water filter)

Upper refrigerator drawer and lower freezer drawer provide additional storage options in the kitchen or other areas of the home. Factory-installed ice maker in lower drawer ensures a constant supply of ice on hand at all times.



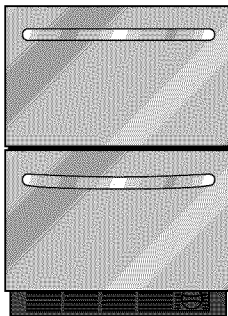
**Euro Series
JUD248CCRS**



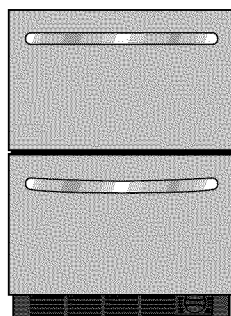
**Overlay - Custom Panels and Handles Required
JUD248CCCX**

Double Freezer Drawers (with ice maker and water filter)

Two freezer drawers provide additional storage options in the kitchen or other areas of the home. Factory-installed ice maker in lower drawer ensures a constant supply of ice on hand at all times.



**Euro Series
JUD248FCRS**



**Overlay - Custom Panels and Handles Required
JUD248FCCX**

INSTALLATION REQUIREMENTS

Tools and Parts

TOOLS NEEDED:

Gather the required tools and parts before starting installation. Read and follow the instructions provided with any tools listed here.

- Cordless drill
- 1/8" Drill bit
- Tape measure
- Level
- Phillips screwdriver

Additional Tools Needed for Style 2: Overlay (only):

- Scissors
- Pencil
- Scribe

PARTS NEEDED Style 2: Overlay (only):

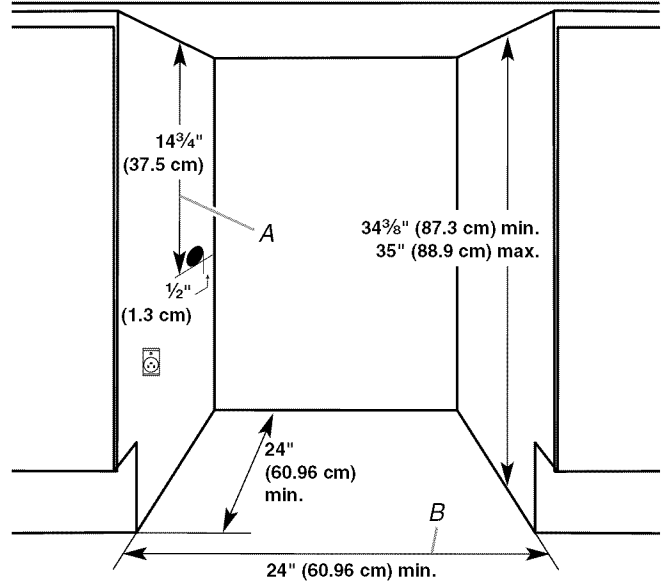
- Custom Overlay Drawer Panels — See “Style 2: Custom Overlay Drawer Panels.”
- Hardware

PARTS SUPPLIED:

- Hooks (8)
- Overlay plates (4)
- Screws (16)

NOTE: When leveling legs are fully extended to 1" (25 mm) below the refrigerator drawers, add 3/4" (19.05 mm) to the height dimensions. See “Product Dimensions.”

- If the floor of the opening is not level with the kitchen floor, shim the opening to make it level with the kitchen floor.



Critical Dimensions:

A. 14 3/4" (37.5 cm) utility opening

B. 24" (60.96 cm) minimum opening width

Location Requirements

⚠ WARNING



Explosion Hazard

Keep flammable materials and vapors, such as gasoline, away from refrigerator drawer(s).

Failure to do so can result in death, explosion, or fire.

NOTES:

- For the refrigerator drawers to be flush with the front of the base cabinets remove any baseboards or moldings from the rear of the opening. See “Product Dimensions” and later in this section “Opening Dimensions (both styles).”
- It is recommended that you do not install the refrigerator drawers near an oven, radiator, or other heat source.
- Do not install in a location where the temperature will fall below 55°F (13°C).

Electrical Requirements

⚠ WARNING



Electrical Shock Hazard

Plug into a grounded 3 prong outlet.

Do not remove ground prong.

Do not use an adapter.

Do not use an extension cord.

Failure to follow these instructions can result in death, fire, or electrical shock.

Before you move your refrigerator drawers into the final location, it is important to make sure you have the proper electrical connection.

Recommended grounding method

A 115 Volt, 60 Hz., AC only, 15- or 20-amp fused, grounded electrical supply is required. It is recommended that a separate circuit serving only your refrigerator drawers be provided. Use an outlet that cannot be turned off by a switch. Do not use an extension cord.

Opening Dimensions (both styles)

- Height dimensions are shown with the leveling legs extended to the minimum height of 1/4" (6.35 mm) below the refrigerator drawers.

†@TORX is a registered trademark of Textron Innovations Inc.

IMPORTANT: If this product is connected to a GFCI (Ground Fault Circuit Interrupter) equipped outlet, nuisance tripping of the power supply may occur, resulting in loss of cooling. Food quality and flavor may be affected. If nuisance tripping has occurred, and if the condition of the food appears poor, dispose of it.

Water Supply Requirements

Gather the required tools and parts before starting installation. Read and follow the instructions provided with any tools listed here.

IMPORTANT:

- If you turn the refrigerator on before the water line is connected, turn the ice maker OFF.
- All installations must meet local plumbing code requirements.
- Use copper tubing and check for leaks. Install copper tubing only in areas where the household temperatures will remain above freezing.

TOOLS NEEDED: Flat-blade screwdriver, $\frac{7}{16}$ " and $\frac{1}{2}$ " open-end wrenches or two adjustable wrenches, $\frac{1}{4}$ " nut driver and drill bit, cordless drill.

NOTE: Your refrigerator dealer has a kit available with a $\frac{1}{4}$ " (6.35 mm) saddle-type shutoff valve, a union, and copper tubing. Before purchasing, make sure a saddle-type valve complies with your local plumbing codes. Do not use a piercing-type or $\frac{3}{16}$ " (4.76 mm) saddle valve which reduces water flow and clogs more easily.

Water Pressure

A cold water supply with water pressure of between 30 and 120 psi (207 and 827 kPa) is required to operate ice maker. If you have questions about your water pressure, call a licensed, qualified plumber.

Reverse Osmosis Water Supply

IMPORTANT: The pressure of the water supply coming out of a reverse osmosis system going to the water inlet valve of the refrigerator needs to be between 30 and 120 psi (207 and 827 kPa).

If a reverse osmosis water filtration system is connected to your cold water supply, the water pressure to the reverse osmosis system needs to be a minimum of 40 to 60 psi (276 to 414 kPa).

If the water pressure to the reverse osmosis system is less than 40 to 60 psi (276 to 414 kPa):

- Check to see whether the sediment filter in the reverse osmosis system is blocked. Replace the filter if necessary.
- Allow the storage tank on the reverse osmosis system to refill after heavy usage.

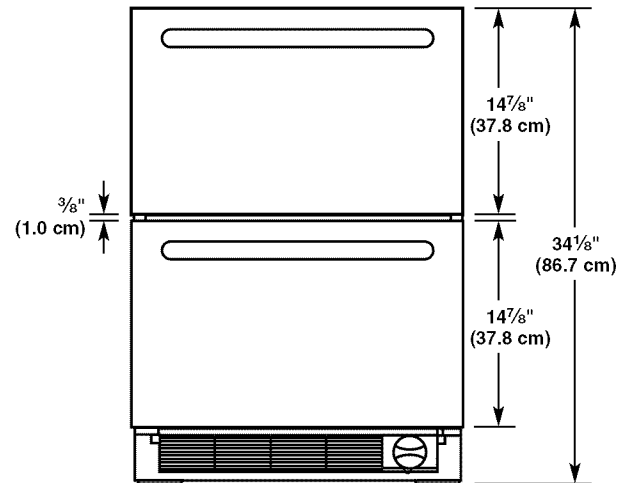
If you have questions about your water pressure, call a licensed, qualified plumber.

Product Dimensions

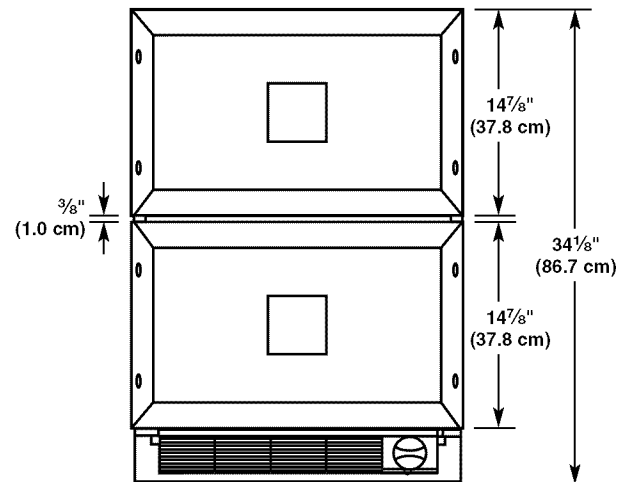
Styles 1 and 2: Euro Series and Overlay

- Height dimensions are shown with the leveling legs extended to $\frac{1}{4}$ " (6.35 mm) below the refrigerator drawers.
- When leveling legs are fully extended to 1" (25 mm) below the refrigerator drawers, add $\frac{3}{4}$ " (19.05 mm) to the height dimensions.
- The power cord is 60" (152.4 cm) long

Style 1: Euro Series



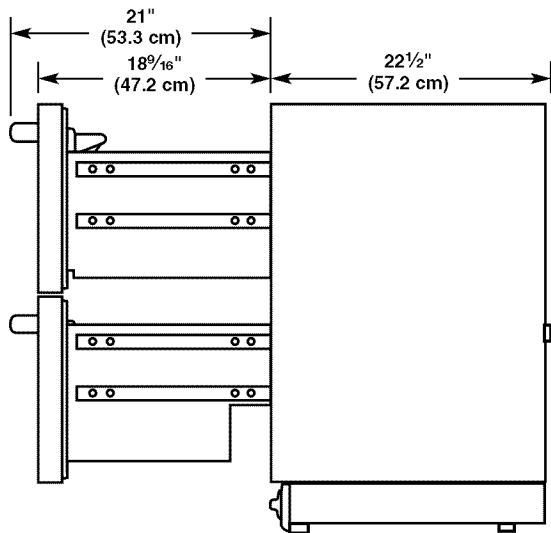
Style 2: Overlay



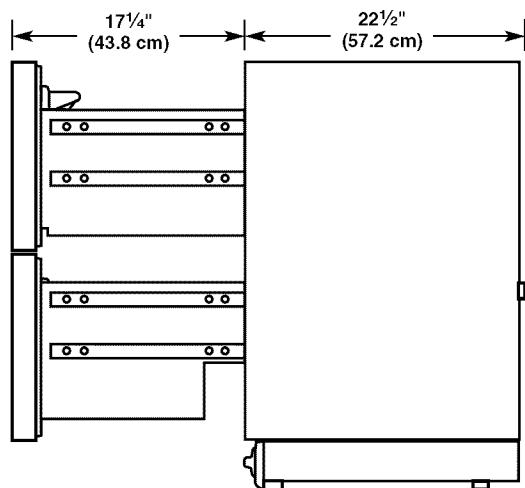
Drawer Opening Dimensions

Dimensions vary based on model, as shown.

Style 1: Euro Series

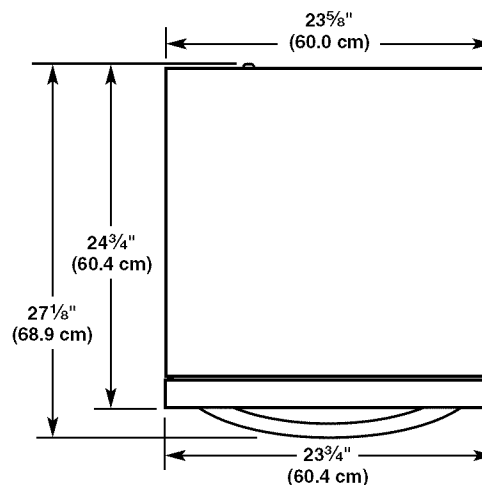


Style 2: Overlay

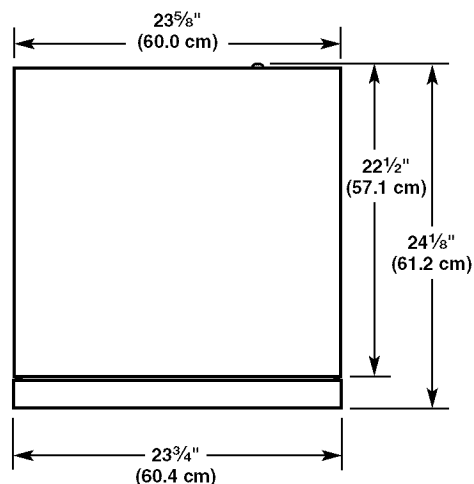


Drawer Width Dimensions

Style 1: Euro Series



Style 2: Overlay



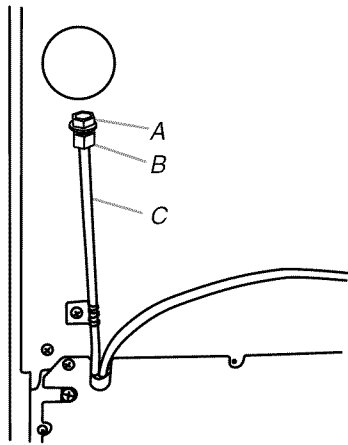
Style 2: Custom Overlay Drawer Panels

If you plan to install custom wood panels, you will need to create the panels yourself or consult a qualified cabinetmaker or carpenter. See dimension drawings for panel specifications.

IMPORTANT:

- The thickness of the overlay panels must be 3/4" (19.05 mm).
- To avoid damage to the drawers, each overlay panel must not weigh more than 10 lbs (4.5 kg).
- Do not exceed the height dimension for the overlay panels. Panels that exceed the height dimension may damage the refrigerator drawers, cabinets or countertop.
- The width of the overlay panels may vary according to the width of the cabinet opening.

3. Check for leaks. Tighten any connections (including connections at the valve) or nuts that leak.



A. Plug
B. Compression nut
C. Pex tubing

4. The ice maker is equipped with a built-in water strainer. If your water conditions require a second water strainer, install it in the 1/4" (6.35 mm) water line at either tube connection. Obtain a water strainer from your nearest appliance dealer.
5. Plug in refrigerator or reconnect power.

Move the Refrigerator Drawers to Final Location

1. Place top of cardboard carton or plywood under the appliance. Remove dolly.
2. Do not remove film or cover.

⚠ WARNING



Electrical Shock Hazard

Plug into a grounded 3 prong outlet.

Do not remove ground prong.

Do not use an adapter.

Do not use an extension cord.

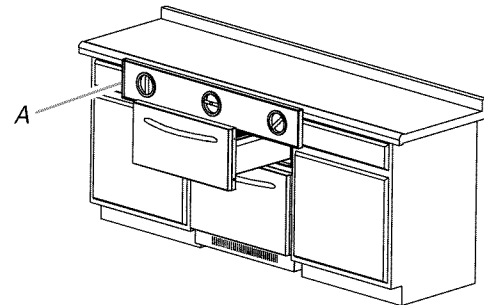
Failure to follow these instructions can result in death, fire, or electrical shock.

3. Plug into a grounded 3 prong outlet.
4. Move the refrigerator drawers straight back and evenly in front of the opening.

Level the Refrigerator Drawers

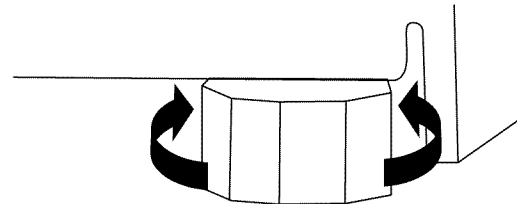
IMPORTANT:

- Style 2–Overlay: Be sure to install the custom overlay drawer panels before leveling the refrigerator drawers for the Overlay Model. See “Style 2: Install Custom Overlay Drawer Panels.”
 - Before installing the refrigerator drawers, be sure that the countertop is level.
 - If the countertop is not level, adjust the refrigerator drawers’ leveling legs until the appliance is square with the countertop. Be sure to maintain 3/8" (9.5 mm) minimum gap between the top of the drawer and the countertop.
1. Open the top drawer and place the level across the top drawer as shown. Check the level from left to right.

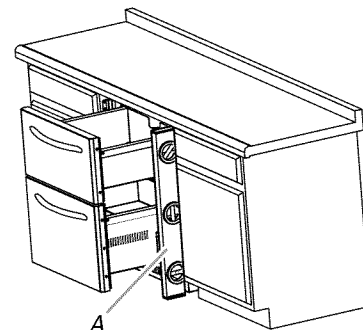


A. Check the level from left to right.

2. Turn the leveling legs (front and back) until the top drawer measures level from left to right.



3. Remove the level and close the top drawer. Check the gap between the top of the drawer and the countertop. If the gap measures less than 3/8" (9.5 mm) minimum, turn all four leveling legs equally to the left to raise the leveling legs (this will lower the appliance). Recheck the level.
4. Open both drawers less than midway. Place the level on the side flange beside the drawers as shown. Turn the front leveling bolts together in order to either raise or lower the appliance until the sides of the refrigerator drawers are plumb.



A. Check the level from front to back.

- Remove the level and close the drawers. Recheck the gap between the top of the drawer and the countertop. If the gap measures less than $\frac{3}{8}$ " (9.5 mm), turn all four leveling bolts equally to raise the leveling legs (this will lower the appliance). Recheck the level.

NOTE: Be sure to recheck the horizontal level of the top drawer.

- Be sure all four levelers are on the floor and supporting the full weight of the refrigerator drawers.

Install Custom Overlay Panel

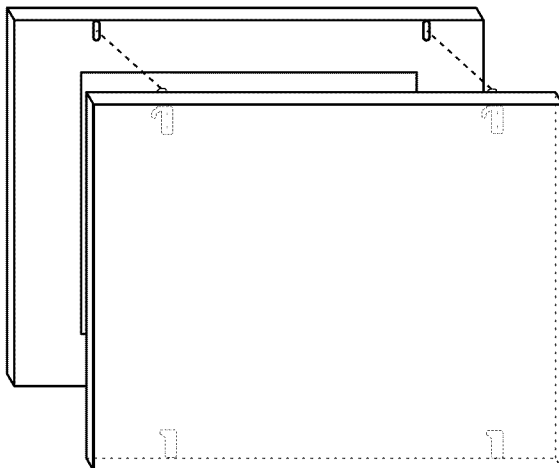
IMPORTANT:

- Create custom overlay panel according to the specifications in the "Custom Overlay Panel" section.
- Jenn-Air is not responsible for the removal or addition of molding or decorative panels that would not allow access to the refrigerator for service.

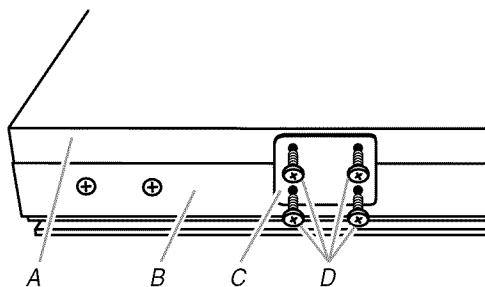
Attach the Overlay Panel

NOTE: If the overlay hooks are not installed, see "Custom Overlay Panel" for overlay hook locations.

- Position the overlay panel $\frac{1}{2}$ " (1.27 cm) higher than the door. Be sure to position the overlay hooks to the pilot holes.



- Insert the overlay hooks into the top of the holes in the door. Push against the overlay panel to force the overlay hooks deeper into the door. Pull the overlay panel straight down to secure the overlay hooks to the door.
- Using a Phillips screwdriver, attach the overlay plates to the bottom of the overlay panel and door as shown.



- A. Overlay panel
 B. Door
 C. Overlay plates (2)
 D. Round-head screws (8)

Water Filtration System

Do not use with water that is microbiologically unsafe or of unknown quality without adequate disinfection before or after the system.

Water Filter Status Light (on some models)

The water filter status light will help you know when to change your water filter. The light will change from dark to yellow. This tells you that it is almost time to change the filter. It is recommended that you replace the water filter when the status light changes to red OR water flow to your ice maker decreases noticeably. The filter should be replaced at least every 6 months depending on your water quality and usage.

After changing the water filter, reset the water filter status light. The status light will change from red to dark when the system is reset.

Using the Ice Maker Without the Water Filter

You can run the ice maker without a water filter. Your water will not be filtered.

- Remove the water filter.
- Slide the cap off the end of the filter and replace the cap in the base grille.

IMPORTANT: Do not discard the cap. It is part of your refrigerator. Keep the cap to use with the replacement filter.

Complete Installation

- Remove all boxes, parts packages and packing materials from the interior of the refrigerator drawers.
- Remove the film.
- Clean the refrigerator drawers before use.
- The controls are preset at the factory to the recommended settings. Be sure that the compressor is operating properly and that all the lights are working.
- If construction will continue after the refrigerator drawers have been installed, turn the power Off for both Drawers.

To get the most efficient use from your new refrigerator drawers, read the "Refrigerator Drawers Use" section.

BEFORE USE

Remove the Packaging

- Remove tape and glue residue from surfaces before turning on the refrigerator drawers. Rub a small amount of liquid dish soap over the glue residue with your fingers. Wipe with warm water and dry.
- Do not use sharp instruments, rubbing alcohol, flammable fluids, or abrasive cleaners to remove tape or glue. These products can damage the surface of your refrigerator drawers. For more information, see "Refrigerator Drawers Safety."

Clean Before Use

After you remove all of the packaging materials, clean the inside of your refrigerator drawers before using them. See the cleaning instructions in “Refrigerator Drawers Care.”

REFRIGERATOR DRAWERS USE

⚠ WARNING



Electrical Shock Hazard

Plug into a grounded 3 prong outlet.

Do not remove ground prong.

Do not use an adapter.

Do not use an extension cord.

Failure to follow these instructions can result in death, fire, or electrical shock.

Normal Sounds

Your new refrigerator drawers may make sounds that your old refrigerator drawers didn't. Because the sounds are new to you, you might be concerned about them. Most of the new sounds are normal. Hard surfaces, such as the floor, walls, and cabinets, can make the sounds seem louder. The following describes the kinds of sounds and what may be making them.

- Your refrigerator drawers are designed to run more efficiently to keep your food items at the desired temperatures and to minimize energy usage. The high efficiency compressor and fans may cause your refrigerator drawers to run longer than your old ones. You may also hear a pulsating or high-pitched sound from the compressor or fans adjusting to optimize performance.
- You may hear the evaporator fan motor circulating air through the refrigerator drawers. The fan speed may increase as you open the drawers or add warm food.
- As each cycle ends, you may hear a gurgling sound due to the refrigerant flowing through the sealed system tubing.
- Contraction and expansion of the inside walls may cause a popping noise.
- You may hear air being forced over the condenser by the condenser fan.
- You may hear water running into the drain pan during the Off cycle.

Ensuring Proper Air Circulation

In order to ensure proper temperatures, you need to permit airflow inside the drawers.

Do not block any airflow vents. If the vents are blocked, airflow will be obstructed and temperature and moisture problems may occur.

IMPORTANT: To avoid odor transfer and drying out of food, wrap or cover foods tightly.

Using the Controls

The control panels for both refrigerator drawers are located in the upper drawer. To view and set the Upper and Lower control panel, pull out the upper drawer.

IMPORTANT:

- Wait 24 hours after you turn on the refrigerator drawers before you put food into the drawers. If you add food before the drawers have cooled completely, your food may spoil.

NOTE: Adjusting the controls to a lower (colder) setting in one or both drawers will not cool them any faster.

- If the temperature is too warm or too cold in the drawers, first check the air vents to be sure they are not blocked before adjusting the controls.
- The preset settings should be correct for normal household usage. The refrigerator control is set correctly when milk or juice is as cold as you like.
- The freezer control is set correctly when ice cream is firm.
- The actual temperature may differ from the display when a drawer is open for an extended period of time.

Turning Drawers On/Off

- Press and hold Cooling On for 3 seconds to the drawers on. The indicator light with light up.



- Press and hold Cooling On for 3 seconds to turn the drawers off.

Viewing Celsius Temperatures

- Press the °C touch pad to change the temperature display information from Fahrenheit to Celsius. The indicator will light up.



- To redisplay degree Fahrenheit, press °C touch pad again.

Set to Recommended Temperatures

- Press the Set touch pad to reset the set points to the factory recommended temperatures.

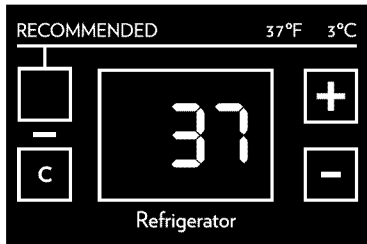


- The recommended temperatures setting for the refrigerator drawer is 37°F (3°C). The recommended temperature setting for the freezer drawer is 0°F (-18°C).

Adjusting Temperature Set Points

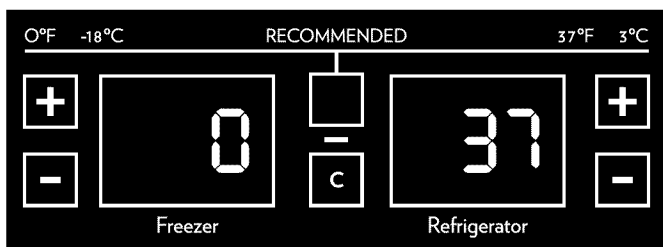
Style 1: Double Refrigerator Drawers

The refrigerator control adjusts the temperature in both upper and lower drawers.



Style 2: Refrigerator/Freezer Drawers

The refrigerator control adjusts the temperature in the upper drawer. The freezer control adjusts the temperature of the lower drawer.



Style 3: Double Freezer Drawers

The freezer control adjusts the temperature in both upper and lower drawers.



IMPORTANT: Wait at least 24 hours between adjustments. Recheck the temperatures before other adjustments are made.

To adjust set point temperatures:

- Press the refrigerator or freezer PLUS (+) or MINUS (-) touch pad until the desired temperature setting is reached.

NOTE: The set point range for the refrigerator drawer is 34°F (1°C) to 45°F (7°C). The set point range for the freezer drawer is -5°F (-20.5°C) to 5°F (-15°C).

Max Cool or Max Freeze



The Max Cool or Max Freeze feature assists with periods of heavy usage, full grocery loads or temporarily warm room temperatures.

Style 1: Double Refrigerator Drawers

Max Cool will reset the temperature for both drawers to the coldest setting 34°F (0.5°C) for 24 hours.

Style 2: Refrigerator/Freezer Drawers

Max Cool will reset the temperature for both drawers to the coldest setting 34°F (0.5°C) in the refrigerator drawer and -5°F (-20.5°C) in the freezer drawer for 24 hours.

Style 3: Double Freezer Drawers

Max Freeze will reset the temperatures for both drawers to the coldest setting -5°F (-20.5°C) for 24 hours.

NOTE: The temperature display will remain at the coldest setting(s) and the indicator light will remain on for 24 hours. After 24 hours, the drawer will return to the previous temperature set point(s) and the indicator light will turn off.

Sabbath Mode

Sabbath Mode is designed for the traveler or for those whose religious observances require turning off the lights. By selecting this feature, the temperature set points remain unchanged and the interior lights will turn off. For most efficient refrigerator drawers operation, it is recommended to exit the Sabbath Mode when it is no longer required.

- Press and hold the Sabbath Mode touch pad for 3 seconds to turn on the feature. The indicator will light up.



- Press and hold Sabbath Mode touch pad for 3 seconds to turn the feature off.

Control Lock

The control panel can be locked to avoid unintentional temperature changes by small children or during cleaning.

- Press and hold the Control Lock touch pad for 3 seconds to turn on the feature. The indicator will light up.



- To deactivate the feature, press and hold Control Lock touch pad for 3 seconds.

NOTE: When Control Lockout is activated, the control panel touch pads will not work. Any attempt to change the settings will result in a beep to indicate the control panel is locked.

Drawer Open/Alarm Reset

The Drawer Open alarm will sound and the Alarm Reset indicator will light up when a drawer has been open for longer than 10 minutes.



To temporarily disable the Drawer Open alarm, press and hold the Alarm Reset touch pad for 3 seconds. Closing the drawer will stop the audible alarm and reset the 10-minute timer.

Ice Maker and Water Filtration System (on Refrigerator/Freezer Drawers and Double Freezer Drawers only)

Turning the Ice Maker On/Off

IMPORTANT: Use the Ice On touch pad on the control panel to turn the ice maker on or off. Do not adjust the wire arm located on the ice maker.

- Press and hold the Ice On touch pad for 3 seconds to turn the ice maker ON. The indicator will light up.



- Press and hold the Ice On touch pad for 3 seconds to turn the ice maker OFF.

NOTE:

- Allow 24 hours to produce the first batch of ice. Discard the first three batches of ice produced.
- The quality of your ice will only be as good as the quality of the water supplied to your ice maker. Avoid connecting the ice maker to a softened water supply. Water softener chemicals (such as salt) can damage parts of the ice maker and lead to poor quality ice. If a softened water supply cannot be avoided, make sure the water softener is operating properly and is well maintained.
- Do not store anything in the ice storage bin.

Water Filtration System

Do not use with water that is microbiologically unsafe or of unknown quality without adequate disinfection before or after the system.

Water Filter Indicator / Reset Filter

The water filter indicator will help you know when to change your water filter cartridge. The indicator will change from dark to yellow when it is time to order a new filter. The indicator will then change from yellow to red when it is time to replace the filter cartridge. The filter cartridge should be replaced at least every 6 months depending on your water quality and usage.

After replacing the water filter cartridge, reset the water filter indicator.



- Press and hold the Reset Filter touch pad for 3 seconds. The indicator light will turn from red to dark.

Changing the Water Filter Cartridge

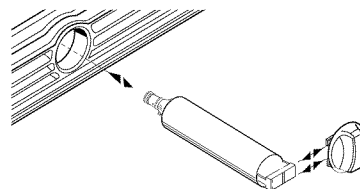
The water filter cartridge is located through the base grille. You do not have to remove the base grille in order to change the water filter cartridge.

1. Locate the water filter cartridge cap in the front base grille. Rotate the cap counterclockwise to a vertical position and pull the cap and filter cartridge out through the base grille.

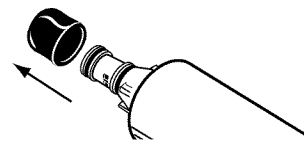
NOTE: There will be water in the cartridge. Some spilling may occur.

2. Remove the cartridge cap by sliding it off the end of the old cartridge. The cap will slide to the left or right.

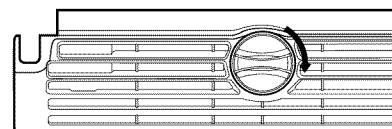
IMPORTANT: Do not discard the cap. It is part of your refrigerator. Keep the cap to use with the replacement filter.



3. Take the new cartridge out of its packaging and remove cover from O-rings.



4. Slide the cartridge cap onto the new cartridge. See illustration in Step 2.
5. With cartridge cap in the vertical position, push the new filter cartridge into the base grille until it stops. Rotate the cartridge cap clockwise to a horizontal position. Flush the water system. See "Flushing the Water System After Replacing Filter" later in this section.



Using the Ice Maker Without the Water Filter

You can run the ice maker without a water filter cartridge. Your water will not be filtered.

1. Slide the cartridge cap off the end of the filter cartridge. With the cartridge cap in the horizontal position, insert the cap into the base grille until it stops.

IMPORTANT: Do not discard the cap. It is part of your refrigerator. Keep the cap to use with the replacement filter.

REFRIGERATOR DRAWERS CARE

Cleaning

⚠ WARNING



Explosion Hazard

Use nonflammable cleaner.

Failure to do so can result in death, explosion, or fire.

The drawers defrost automatically. However, clean both drawers about once a month to avoid buildup of odors. Wipe up spills immediately.

To clean your refrigerator drawers:

1. Hand wash, rinse, and dry interior surfaces thoroughly. Use a clean sponge or soft cloth and a mild detergent in warm water.
 - Do not use abrasive or harsh cleaners such as window sprays, scouring cleansers, flammable fluids, cleaning waxes, concentrated detergents, bleaches or cleansers containing petroleum products on plastic parts, interior and drawer liners or gaskets. Do not use paper towels, scouring pads, or other harsh cleaning tools. These can scratch or damage materials.
 - To help remove odors, you can wash interior walls with a mixture of warm water and baking soda (2 tbs to 1 qt [26 g to 0.95 L] of water).
2. Wash stainless steel and painted metal exteriors with a clean sponge or soft cloth and a mild detergent in warm water. Do not use abrasive or harsh cleaners. Dry thoroughly with a soft cloth. To avoid damage to painted metal exteriors, apply appliance wax (or auto paste wax) with a clean, soft cloth. Do not wax plastic parts.

NOTE: To keep your Stainless Steel refrigerator drawers looking like new and to remove minor scuffs or marks, it is suggested that you use the manufacturer's approved Stainless Steel Cleaner and Polish. To order the cleaner, see "Accessories."

IMPORTANT: This cleaner is for Stainless Steel parts only!

Do not allow the Stainless Steel Cleaner and Polish to come into contact with any plastic parts such as the trim pieces or drawer gaskets. If unintended contact does occur, clean plastic part with a sponge and mild detergent in warm water. Dry thoroughly with a soft cloth.

Power Interruptions

If the power will be out for 24 hours or less, keep both refrigerator drawers closed to help food stay cold.

If the power will be out for more than 24 hours, do one of the following:

- Place all perishable food in a food locker or cooler with dry ice.
- If neither a food locker or cooler is available, consume food if still cold or throw away perishable food at once.

Vacation Care

Your refrigerator drawers are equipped with the Holiday Mode feature. By selecting this feature, the temperature set points remain unchanged and the interior lights will turn off. For most efficient refrigerator drawers operation, it is recommended to exit the Holiday Mode when it is no longer required.

If you choose to leave the refrigerator drawers on while you're away:

1. Use up any perishables and freeze other items.
2. Press HOLIDAY MODE touch pad.
3. When you return from vacation, press HOLIDAY MODE touch pad to return to normal operation.

If you choose to turn the refrigerator drawers off before you leave:

1. Remove all food from the refrigerator drawers.
2. Turn the Control Panel for the Upper and the Lower drawers to Off. See "Using the Controls."
3. Clean refrigerator drawers, wipe and dry them well.
4. Tape rubber or wood blocks to the tops of both drawers to prop them open far enough for air to get in. This stops odor and mold from building up.

TROUBLESHOOTING

Try the solutions suggested here first in order to avoid the cost of an unnecessary service call.

Your refrigerator drawers will not operate

⚠ WARNING



Electrical Shock Hazard

Plug into a grounded 3 prong outlet.

Do not remove ground prong.

Do not use an adapter.

Do not use an extension cord.

Failure to follow these instructions can result in death, fire, or electrical shock.

- **Is the power supply cord unplugged?** Plug into a grounded 3 prong outlet.
- **Has a household fuse blown, or a circuit breaker tripped?** Replace the fuse or reset the circuit breaker. If the problem continues, call an electrician.
- **Are the refrigerator drawers control set in the Off position?** See “Using the Controls.”
- **Are the refrigerator drawers not cooling?** Turn them off then on again to reset. See “Using the Controls.” If this does not correct the problem, call for service.

The motor seems to run too much

- **Is the room temperature hotter than normal?** The motor will run longer under warm conditions. At normal room temperatures, expect your motor to run about 80% of the time. Under warmer conditions, it will run even more.
- **Has a large amount of food just been added to the refrigerator drawers?** Adding a large amount of food warms the refrigerator drawers. The motor normally will run longer to cool the refrigerator drawers back down.

- **Are the drawers opened often?** The motor will run longer when this occurs. Conserve energy by getting all items out at one time, keeping food organized, and closing the drawer as soon as possible.
- **Are the controls not set correctly for the surrounding conditions?** See “Using the Controls.”
- **Are the drawers not closed completely?** Close the drawers firmly. If they do not close completely, see “The drawers will not close completely” later in this section.
- **Are the drawer gaskets not sealed all the way around?** Contact a technician or other qualified person.

The refrigerator drawers seems to make too much noise

The sounds may be normal for your refrigerator drawers. See “Normal Sounds.”

The divider between the two compartments is warm

The warmth is probably due to normal operation of the automatic exterior moisture control. If still concerned, call for service.

Temperature is too warm

- **Are the air vents blocked in either compartment?** This obstructs cold air movement between the compartments. Remove any objects from in front of the air vents. See “Ensuring Proper Air Circulation” for the location of air vents.
- **Are the drawers opened often?** The refrigerator drawers will warm when this occurs. Keep the refrigerator drawers cool by getting all items out at one time, keeping food organized, and closing the door as soon as possible.
- **Has a large amount of food just been added to the refrigerator drawers?** Adding a large amount of food warms the refrigerator drawers. It can take several hours for the refrigerator drawers to return to the normal temperature.
- **Are the controls set correctly for the surrounding conditions?** See “Using the Controls.”
- **Are the refrigerator drawers not cooling?** Turn them off then on again to reset. See “Using the Controls.” If this does not correct the problem, call for service.

There is interior moisture buildup

- **Are the air vents blocked in the refrigerator drawers?** Remove any objects from in front of the air vents. See “Ensuring Proper Air Circulation” for the location of air vents.
- **Are the drawers opened often?** Avoid humidity buildup by getting all items out at one time, keeping food organized, and closing the drawer as soon as possible.
- **Is the room humid?** It is normal for moisture to build up inside the refrigerator drawers when the room air is humid.
- **Is the food packaged correctly?** Check that all food is securely wrapped. Dry damp food containers before placing in the refrigerator drawers.
- **Are the controls set correctly for the surrounding conditions?** See “Using the Controls.”

The drawers will not close completely

- **Are food packages blocking the drawer open?** Rearrange containers so that they fit more tightly and take up less space.

The drawers are difficult to open

⚠ WARNING



Explosion Hazard

Use nonflammable cleaner.

Failure to do so can result in death, explosion, or fire.

- **Are the gaskets dirty or sticky?** Clean gaskets and the surface that they touch. Rub a thin coat of paraffin wax on the gaskets following cleaning.

ASSISTANCE OR SERVICE

Before calling for assistance or service, please check “Troubleshooting.” It may save you the cost of a service call. If you still need help, follow the instructions below.

When calling, please know the purchase date and the complete model and serial number of your appliance. This information will help us to better respond to your request.

If you need replacement parts

If you need to order replacement parts, we recommend that you only use factory specified replacement parts. Factory specified replacement parts will fit right and work right because they are made with the same precision used to build every new Jenn-Air appliance.

To locate factory specified parts in your area, call us or your nearest designated service center.

In the U.S.A.

Call the Jenn-Air Customer eXperience Center toll free: **1-800-688-1100**.

Our consultants provide assistance with:

- Features and specifications on our full line of appliances.
- Installation information.
- Use and maintenance procedures.
- Accessory and repair parts sales.
- Specialized customer assistance (Spanish speaking, hearing impaired, limited vision, etc.).
- Referrals to local dealers, repair parts distributors, and service companies. Jenn-Air designated service technicians are trained to fulfill the product warranty and provide after-warranty service, anywhere in the United States.

To locate the Jenn-Air designated service company in your area, you can also look in your telephone directory Yellow Pages.

For further assistance

If you need further assistance, you can write to Jenn-Air with any questions or concerns at:

Jenn-Air Brand Home Appliances
Customer eXperience Center
553 Benson Road
Benton Harbor, MI 49022-2692

Please include a daytime phone number in your correspondence.

In Canada

Call the Jenn-Air Canada Customer Interaction Centre toll free: **1-800-807-6777**.

Our consultants provide assistance with:

- Features and specifications on our full line of appliances.
- Use and maintenance procedures.
- Accessory and repair parts sales.
- Referrals to local dealers, repair parts distributors, and services companies. Jenn-Air Canada designated service technicians are trained to fulfill the product warranty and provide after-warranty service, anywhere in Canada.

For further assistance

If you need further assistance, you can write to Jenn-Air Canada with any questions or concerns at:

Jenn-Air Brand Home Appliances
Customer eXperience Centre
1901 Minnesota Court
Mississauga, Ontario L5N 3A7

Please include a daytime phone number in your correspondence.

Accessories

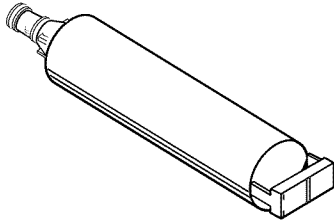
To order accessories, call **1-800-442-9991** and ask for the appropriate part number listed below or contact your authorized Jenn-Air dealer. In Canada, call **1-800-807-6777**.

Base Grille Water Filter

NOTE: Do not use with water that is microbiologically unsafe or of unknown quality without adequate disinfection before or after the system.

Replacement filter

Order Part #4396702 (L200V / NL120V)



WATER FILTER CERTIFICATIONS

State of California
Department of Health Services
Water Treatment Device
Certificate Number

04-1612

Date Issued: February 2, 2004
Date Revised: July 6, 2004

<u>Trademark/Model Designation</u>	<u>Replacement Elements</u>	<u>Rated Capacity</u>
WF-NL120V	NL120V	120 gals
WF-L200V	L200V	200gals

Manufacturer: Whirlpool Corporation

The water treatment device(s) listed on this certificate have met the testing requirements pursuant to Section 116830 of the Health and Safety Code for the following health related contaminants:

Microbiological Contaminants and Turbidity

None

Inorganic/Radiological Contaminants

Lead
Mercury

Organic Contaminants

Benzene
Ethyl Benzene
O-Dichlorobenzene
p-Dichlorobenzene
Toxaphene
1,2,4-trichlorobenzene

Rated Service Flow: 0.5 gpm

Do not use where water is microbiologically unsafe or with water of unknown quality, except that systems certified for cyst reduction may be used on disinfected waters that may contain filterable cysts.

PRODUCT DATA SHEETS

Base Grille Water Filtration System Model WF-L200V Capacity 200 Gallons (757 Liters) Model WF-NL120V Capacity 120 Gallons (454 Liters))



Tested and certified by NSF International against ANSI/NSF Standard 42 for the reduction of Chlorine, Taste and Odor, Particulate Class III*; and against ANSI/NSF Standard 53 for the reduction of Lead, Mercury, Benzene, and p-dichlorobenzene.

This system has been tested according to ANSI/NSF 42/53 for the reduction of the substances listed below. The concentration of the indicated substances in water entering the system was reduced to a concentration less than or equal to the permissible limit for water leaving the system, as specified in ANSI/NSF 42/53.

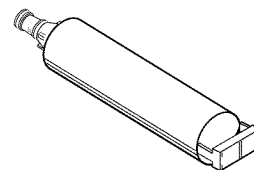
Substance Reduction	NSF Reduction Requirements	Average Influent	Influent Challenge Concentration	Maximum Effluent	Average Effluent	Minimum % Reduction	Average % Reduction
Chlorine Taste/Odor Particulate Class III*	≥50% ≥85%	1.9 mg/L 49,333/mL	2.0 mg/L ± 10% At least 10,000 particles/mL	0.07 mg/L 640 mg/L**	0.06 mg/L 312 mg/L	>75.0% 98.7%	>75.0% 99%
Contaminant Reduction	NSF Reduction Requirements	Average Influent	Influent Challenge Concentration	Maximum Effluent	Average Effluent	Minimum % Reduction	Average % Reduction
Lead: @ pH 6.5 Lead: @ pH 8.5	0.01mg/L 0.01mg/L	0.14 mg/L*** 0.15 mg/L***	0.15 mg/L ± 10% 0.15 mg/L ± 10%	0.0014 mg/L 0.0069 mg/L	0.0011 mg/L 0.0042 mg/L	99.0% 95.4%	99.21% 97.08%
Mercury: @ pH 6.5 Mercury: @ pH 8.5	0.002 mg/L 0.002 mg/L	0.0059 mg/L 0.0054 mg/L	0.006 mg/L ± 10% 0.006 mg/L ± 10%	0.0009 mg/L 0.0007 mg/L	0.0004 mg/L 0.00043 mg/L	84.74% 87.03%	92.47% 91.93%
Benzene	0.0050 mg/L	0.0157 mg/L	0.015 ± 10%	0.002 mg/L	0.00083 mg/L	87.26%	94.71%
p-dichlorobenzene	0.075 mg/L	0.210 mg/L	0.225 ± 10%	0.0005 mg/L	0.0005 mg/L	99.76%	99.76%

Test Parameters: pH = 7.5 ± 0.5 unless otherwise noted. Flow = 0.5 gpm (1.9 Lpm). Pressure = 60 psig (413.7 kPa). Temp. = 63°F (17.2°C).

- It is essential that operational, maintenance, and filter replacement requirements be carried out for the product to perform as advertised.
- Model WF-L200V:** The filter monitor system measures the amount of water that passes through the filter and alerts you to replace the filter. When 90% of the filter's rated life is used, the filter indicator light changes from green to yellow. When 100% of the filter's rated life is used, the filter indicator light changes from yellow to red, and it is recommended that you replace the filter. Use replacement cartridge L200V / NL120V, part #4396702. 2004 suggested retail price of \$32.99 U.S.A./\$49.99 Canada. Prices are subject to change without notice.
- Model WF-NL120V:** Change the water filter cartridge every 6-9 months. Use replacement cartridge L200V / NL120V, part #4396702. 2004 suggested retail price of \$32.99 U.S.A./\$49.99 Canada. Prices are subject to change without notice.
- The product is for cold water use only.
- Do not use with water that is microbiologically unsafe or of unknown quality without adequate disinfection before or after the system.
- Refer to the front cover or "Accessories" section for the Manufacturer's name, address and telephone number.
- Refer to the "Warranty" section for the Manufacturer's limited warranty.

Application Guidelines/Water Supply Parameters

Water Supply	City or Well
Water Pressure	30 - 120 psi (207 - 827 kPa)
Water Temperature	33° - 100°F (0.6° - 37.8° C)
Service Flow Rate	0.5 GPM (1.89 L/min.) @ 60 psi.



*Class III particle size: >5 to <15 um

**Test requirement is at least 10,000 particles/mL of AC Fine Test Dust.

***These contaminants are not necessarily in your water supply. Performance may vary based on local water conditions.

® NSF is a registered trademark of NSF International.

JENN-AIR® REFRIGERATOR WARRANTY

LIMITED WARRANTY

For one year from the date of purchase, when this major appliance is operated and maintained according to instructions attached to or furnished with the product, Jenn-Air brand of Whirlpool Corporation or Whirlpool Canada LP (hereafter “Jenn-Air”) will pay for factory specified parts and repair labor to correct defects in materials or workmanship that existed when this major appliance was purchased. Service must be provided by a Jenn-Air designated service company. YOUR SOLE AND EXCLUSIVE REMEDY UNDER THIS LIMITED WARRANTY SHALL BE PRODUCT REPAIR AS PROVIDED HEREIN. This limited warranty is valid only in the United States or Canada and applies only when the major appliance is used in the country in which it was purchased. Proof of original purchase date is required to obtain service under this limited warranty.

On models with a water filter: 30 day limited warranty on water filter. For 30 days from the date of purchase, when this filter is operated and maintained according to instructions attached to or furnished with the product, Jenn-Air will pay for a replacement water filter to correct defects in materials and workmanship.

SECOND THROUGH FIFTH YEAR LIMITED WARRANTY ON CAVITY LINER AND SEALED REFRIGERATION SYSTEM

In the second through fifth years from the date of purchase, when this major appliance is operated and maintained according to instructions attached to or furnished with the product, Jenn-Air will pay for replacement or repair of the refrigerator/freezer cavity liner (including labor costs) if the part cracks due to defective materials or workmanship. Also, in the second through fifth year from the date of purchase, when this major appliance is operated and maintained according to instructions attached to or furnished with the product, Jenn-Air will pay for factory specified parts and repair labor for the following components to correct defects in materials or workmanship in the sealed refrigeration system that existed when this major appliance was purchased: compressor, evaporator, condenser, dryer, and connecting tubing.

ITEMS EXCLUDED FROM WARRANTY

This limited warranty does not cover:

1. Replacement parts or repair labor if this major appliance is used for other than normal, single-family household use or when it is used in a manner that is inconsistent to published user or operator instructions and/or installation instructions.
2. Service calls to correct the installation of your major appliance, to instruct you on how to use your major appliance, to replace or repair house fuses, or to correct house wiring or plumbing.
3. Service calls to repair or replace appliance light bulbs, air filters or water filters. Consumable parts are excluded from warranty coverage.
4. Damage resulting from accident, alteration, misuse, abuse, fire, flood, acts of God, improper installation, installation not in accordance with electrical or plumbing codes, or use of products not approved by Jenn-Air.
5. Cosmetic damage, including scratches, dents, chips or other damage to the finish of your major appliance, unless such damage results from defects in materials or workmanship and is reported to Jenn-Air within 30 days from the date of purchase.
6. Any food or medicine loss due to refrigerator or freezer product failures.
7. Pickup and delivery. This major appliance is intended to be repaired in your home.
8. Repairs to parts or systems resulting from unauthorized modifications made to the appliance.
9. Expenses for travel and transportation for product service if your major appliance is located in a remote area where service by an authorized Jenn-Air servicer is not available.
10. The removal and reinstallation of your major appliance if it is installed in an inaccessible location or is not installed in accordance with Jenn-Air's published installation instructions.
11. Replacement parts or repair labor on major appliances with original model/serial numbers that have been removed, altered or cannot be easily determined.

DISCLAIMER OF IMPLIED WARRANTIES

IMPLIED WARRANTIES, INCLUDING ANY IMPLIED WARRANTY OF MERCHANTABILITY OR IMPLIED WARRANTY OF FITNESS FOR A PARTICULAR PURPOSE, ARE LIMITED TO ONE YEAR OR THE SHORTEST PERIOD ALLOWED BY LAW. Some states and provinces do not allow limitations on the duration of implied warranties of merchantability or fitness, so this limitation may not apply to you. This warranty gives you specific legal rights, and you also may have other rights that vary from state to state or province to province.

LIMITATION OF REMEDIES; EXCLUSION OF INCIDENTAL AND CONSEQUENTIAL DAMAGES

YOUR SOLE AND EXCLUSIVE REMEDY UNDER THIS LIMITED WARRANTY SHALL BE PRODUCT REPAIR AS PROVIDED HEREIN. JENN-AIR SHALL NOT BE LIABLE FOR INCIDENTAL OR CONSEQUENTIAL DAMAGES. Some states and provinces do not allow the exclusion or limitation of incidental or consequential damages, so these limitations and exclusions may not apply to you. This warranty gives you specific legal rights, and you also may have other rights that vary from state to state or province to province.

If outside the 50 United States and Canada, contact your authorized Jenn-Air dealer to determine if another warranty applies.

If you think you need repair service, first see the “Troubleshooting” section of the Use & Care Guide. If you are unable to resolve the problem after checking “Troubleshooting,” additional help can be found by checking the “Assistance or Service” section or by calling Jenn-Air. In the U.S.A., call 1-800-688-1100. In Canada, call 1-800-807-6777.

5/08

Keep this book and your sales slip together for future reference. You must provide proof of purchase or installation date for in-warranty service.

Write down the following information about your major appliance to better help you obtain assistance or service if you ever need it. You will need to know your complete model number and serial number. You can find this information on the model and serial number label located on the product.

Dealer name _____

Address _____

Phone number _____

Model number _____

Serial number _____

Purchase date _____

SEGURIDAD DE LOS CAJONES REFRIGERADOS

Su seguridad y la seguridad de los demás es muy importante.

Hemos incluido muchos mensajes importantes de seguridad en este manual y en su electrodoméstico. Lea y obedezca siempre todos los mensajes de seguridad.



Este es el símbolo de advertencia de seguridad.

Este símbolo le llama la atención sobre peligros potenciales que pueden ocasionar la muerte o una lesión a usted y a los demás.

Todos los mensajes de seguridad irán a continuación del símbolo de advertencia de seguridad y de la palabra "PELIGRO" o "ADVERTENCIA". Estas palabras significan:

⚠ PELIGRO

Si no sigue las instrucciones de inmediato, usted puede morir o sufrir una lesión grave.

⚠ ADVERTENCIA

Si no sigue las instrucciones, usted puede morir o sufrir una lesión grave.

Todos los mensajes de seguridad le dirán el peligro potencial, le dirán cómo reducir las posibilidades de sufrir una lesión y lo que puede suceder si no se siguen las instrucciones.

INSTRUCCIONES IMPORTANTES DE SEGURIDAD

ADVERTENCIA: Para reducir el riesgo de incendio, choque eléctrico, o lesiones personales al usar su(s) cajón(cajones) refrigerado(s) siga estas precauciones básicas:

- Conecte a un contacto de pared de conexión a tierra de 3 terminales.
- No quite la terminal de conexión a tierra.
- No use un adaptador.
- No use un cable eléctrico de extensión.
- Desconecte el suministro de energía antes de darle servicio.
- Vuelva a colocar todos los componentes y paneles antes de hacerlo funcionar.
- Remueva la puerta o el(los) cajón(cajones) de su aparato refrigerado viejo.
- Use un limpiador no inflamable.
- Mantenga los materiales y vapores inflamables, tales como gasolina, alejados del(de los) cajón(cajones) refrigerado(s).
- Use dos o más personas para mover e instalar el(los) cajón(cajones) refrigerado(s).

GUARDE ESTAS INSTRUCCIONES

Cómo deshacerse adecuadamente de su aparato refrigerado viejo

Antes de descartar su aparato refrigerado viejo:

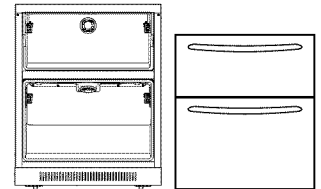
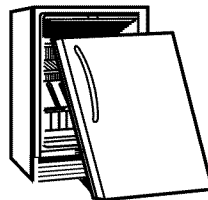
Saque la puerta o el(los) cajón(cajones).

⚠ ADVERTENCIA

Peligro de Asfixia

Remueva la puerta o el(los) cajón(cajones) de su aparato refrigerado viejo.

No seguir esta instrucción puede ocasionar la muerte o daño al cerebro.



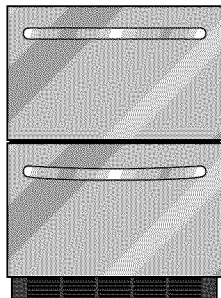
IMPORTANTE: El atrapamiento y asfixia de niños no es un problema del pasado. Un aparato refrigerado tirado y abandonado es un peligro, aún si va a quedar ahí "por unos pocos días". Si Ud. está por deshacerse de su aparato refrigerado viejo, por favor siga las instrucciones que se dan a continuación para prevenir accidentes.

ESPECIFICACIONES DE DISEÑO

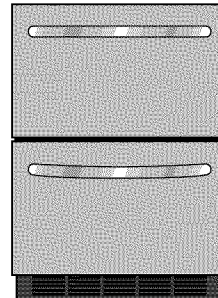
Modelos de cajón de 24"

Cajón refrigerado doble

Dos cajones refrigerados proveen opciones adicionales de almacenamiento en la cocina u otras áreas del hogar.



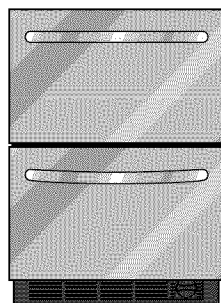
Serie del euro
JUD248RCRS



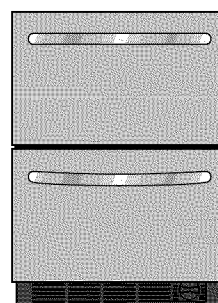
Overlay - Se necesitan paneles y manijas a la medida
JUD248RCCX

Cajones refrigerados/congeladores (con fábrica de hielo y filtro de agua)

El cajón refrigerado superior y el cajón congelador inferior proveen opciones adicionales de almacenamiento en la cocina u otras áreas del hogar. La fábrica de hielo, instalada de fábrica, en el cajón inferior, asegura un suministro constante de hielo disponible en todo momento.



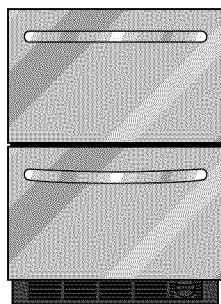
Serie del euro
JUD248CCRS



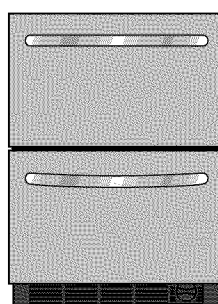
Overlay - Se necesitan paneles y manijas a la medida
JUD248CCCX

Cajones congeladores dobles (con fábrica de hielo y filtro de agua)

Dos cajones congeladores proveen opciones adicionales de almacenamiento en la cocina u otras áreas del hogar. La fábrica de hielo, instalada de fábrica, en el cajón inferior, asegura un suministro constante de hielo disponible en todo momento.



Serie del euro
JUD248FCRS



Overlay - Se necesitan paneles y manijas a la medida
JUD248FCCX

REQUISITOS DE INSTALACIÓN

Piezas y herramientas

HERRAMIENTAS NECESARIAS:

Reúna las herramientas y piezas necesarias antes de comenzar la instalación.

Lea y siga las instrucciones provistas con cualquiera de las herramientas enlistadas aquí.

- Taladro inalámbrico
- Cinta para medir
- Broca de 1/8"
- Nivel
- Destornillador Phillips

Herramientas adicionales necesarias para el Estilo 2: Recubierto (únicamente):

- Tijeras
- Punta de trazar
- Lápiz

PIEZAS NECESARIAS para el Estilo 2: Recubierto (únicamente):

- Paneles de los cajones recubiertos a la medida - Vea "Estilo 2: Paneles de los cajones recubiertos a la medida".
- Artículos de ferretería

PIEZAS SUMINISTRADAS:

- Ganchos (8)
- Tornillos (16)
- Placas del recubrimiento (4)

Requisitos de ubicación

⚠ ADVERTENCIA



Peligro de Explosión

Mantenga los materiales y vapores inflamables, tales como gasolina, alejados del(de los) cajón(cajones) refrigerado(s).

No seguir esta instrucción puede ocasionar la muerte, explosión, o incendio.

NOTAS:

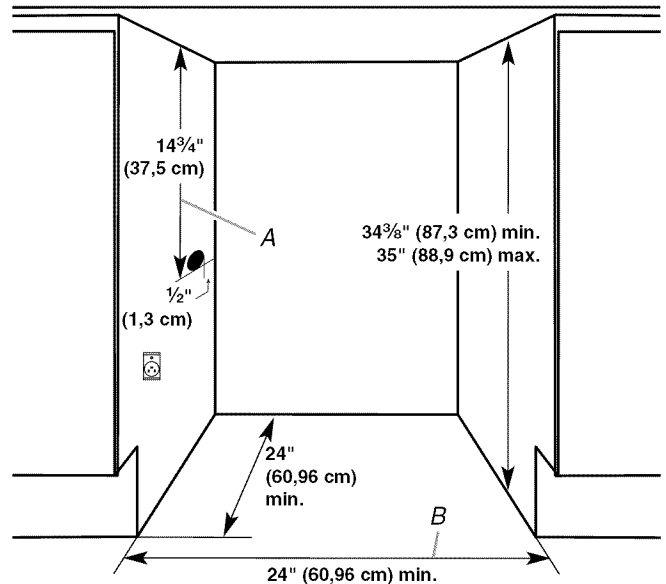
- Para que los cajones refrigerados estén alineados con el frente de los armarios de la base, quite los zócalos o molduras de la parte posterior de la abertura. Vea "Medidas del producto" y "Medidas de la abertura (ambos estilos)" más adelante en esta sección.
- No se recomienda instalar los cajones refrigerados cerca de un horno, radiador u otra fuente de calor.
- No instale en un lugar donde la temperatura puede ser menor de 55°F (13°C).

Medidas de la abertura (ambos estilos)

- Las medidas de altura indicadas consideran las patas niveladoras extendidas a una altura mínima de 1/4" (6,35 mm) por debajo de los cajones refrigerados.

NOTA: Si las patas niveladoras están totalmente extendidas 1" (25 mm) por debajo de los cajones refrigerados, agregue 3/4" (19,05 mm) a las medidas de altura. Vea "Medidas del producto".

- Si el piso de la abertura no está nivelado con el piso de la cocina, ponga calzas en la abertura para que quede nivelado con el piso de la cocina.



Dimensiones fundamentales:

A. Abertura de uso general de 14 3/4" (37,5 cm)

B. Ancho mínimo de la abertura de 24" (60,96 cm)

Requisitos eléctricos

⚠ ADVERTENCIA



Peligro de Choque Eléctrico

Conecte a un contacto de pared de conexión a tierra de 3 terminales.

No quite la terminal de conexión a tierra.

No use un adaptador.

No use un cable eléctrico de extensión.

No seguir estas instrucciones puede ocasionar la muerte, incendio o choque eléctrico.

Antes de mover los cajones refrigerados a su ubicación final, es importante asegurarse que tiene la conexión eléctrica adecuada.

†@TORX es una marca registrada de Textron Innovations, Inc.

Método de conexión a tierra recomendado

Se requiere una fuente de energía eléctrica de 115 Voltios, 60 Hz., CA solamente y con fusibles de 15 ó 20 amperios, conectada a tierra. Se recomienda que use un circuito separado sólo para sus cajones refrigerados. Use un tomacorriente que no se pueda apagar con un interruptor. No use un cable eléctrico de extensión.

IMPORTANTE: Si este producto está conectado a un tomacorriente protegido por GFCI (Ground Fault Circuit Interrupter- Interruptor de circuito de falla eléctrica de puesta a tierra), puede ocurrir un disparo molesto del suministro de energía, lo que resultará en la pérdida de enfriamiento. Esto puede afectar la calidad y el sabor de los alimentos. Si ha ocurrido un disparo molesto, y el alimento aparenta estar en malas condiciones, deshágase del mismo.

Requisitos del suministro de agua

Reúna las herramientas y piezas necesarias antes de comenzar la instalación. Lea y siga las instrucciones provistas con cualquiera de las herramientas enlistadas aquí.

IMPORTANTE:

- Si usa el refrigerador antes de instalar la conexión del agua, APAGUE la fábrica de hielo.
- Todas las instalaciones deben hacerse de acuerdo a los requerimientos del código de plomería local.
- Use tuberías de cobre y revise si hay fugas. Instale tubería de cobre sólo en áreas donde la temperatura va a permanecer por encima del punto de congelación.

HERRAMIENTAS REQUERIDAS: Destornillador de hoja plana, llaves de boca de $\frac{7}{16}$ " y $\frac{1}{2}$ " o 2 llaves ajustables, llave para tuercas y broca de barrena de $\frac{1}{4}$ ", taladro inalámbrico.

NOTA: El distribuidor de su refrigerador tiene un juego con una válvula de cierre tipo montura de $\frac{1}{4}$ " (6,35 mm), una unión y tubería de cobre. Antes de comprar, asegúrese que la válvula tipo montura cumpla con los códigos de plomería de su localidad. No use una válvula perforadora o una válvula de montura de $\frac{3}{16}$ " (4,76 mm) que reduce el flujo de agua y se obstruye con más facilidad.

Presión del agua

Se necesita un suministro de agua fría con presión de agua entre 30 y 120 lbs/pulg² (207 y 827 kPa) para hacer funcionar la fábrica de hielo. Si usted tiene preguntas acerca de la presión de agua, llame a un plomero competente autorizado.

Suministro de agua de ósmosis inversa

IMPORTANTE: La presión del suministro de agua que sale de un sistema de ósmosis inversa y va a la válvula de entrada de agua del refrigerador necesitará ser entre 30 y 120 lbs/pulg² (207 y 827 kPa).

Si se conecta un sistema de filtración de agua de ósmosis inversa al suministro de agua fría, la presión de agua al sistema necesitará ser de un mínimo de 40 a 60 lbs/pulg² (276 a 414 kPa).

Si la presión del agua del sistema de ósmosis inversa es menor de 40 a 60 lbs/pulg² (276 a 414 kPa):

- Fíjese si el filtro de sedimentos en el sistema de ósmosis inversa está bloqueado y reemplácelo si fuera necesario.
- Deje que se vuelva a llenar el tanque de almacenaje del sistema de ósmosis inversa después del uso intenso.

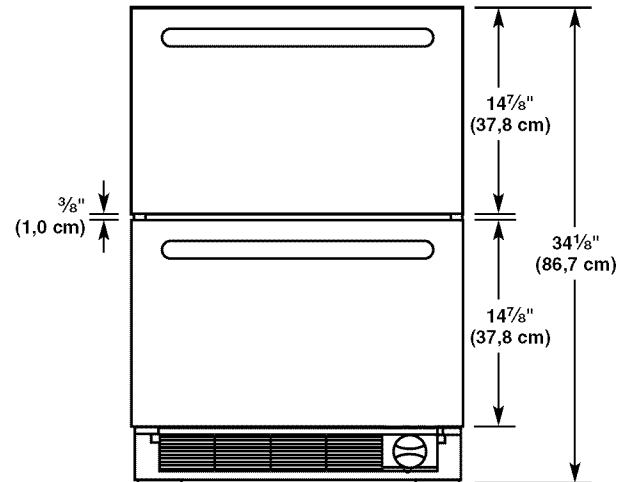
Si tiene preguntas acerca de la presión del agua, llame a un plomero competente autorizado.

Medidas del producto

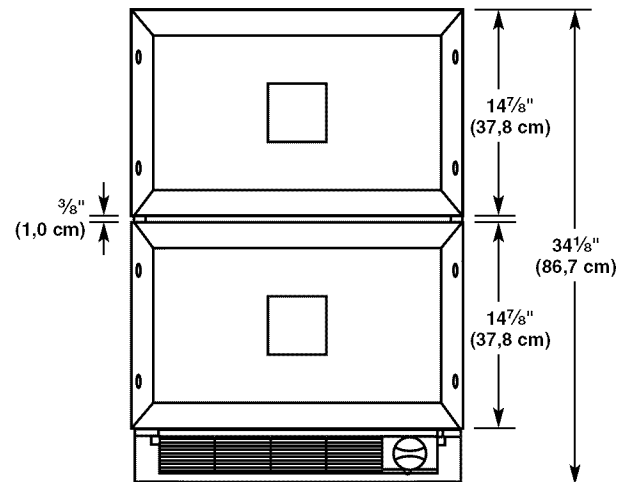
Estilos 1 y 2: Serie del euro y Overlay (recubierto)

- Las medidas de altura indicadas consideran las patas niveladoras extendidas a $\frac{1}{4}$ " (6,35 mm) por debajo de los cajones refrigerados.
- Si las patas niveladoras están totalmente extendidas 1" (25 mm) por debajo de los cajones refrigerados, agregue $\frac{3}{4}$ " (19,05 mm) a las medidas de altura.
- El cable de suministro de energía es de 60" (152,4 cm) de largo.

Estilo 1: Serie del euro



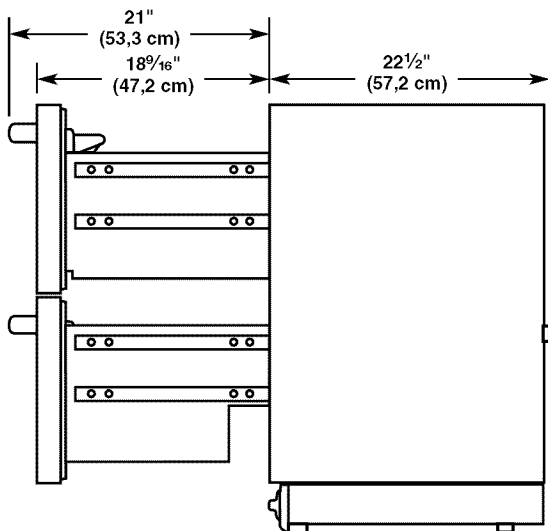
Estilo 2: Overlay



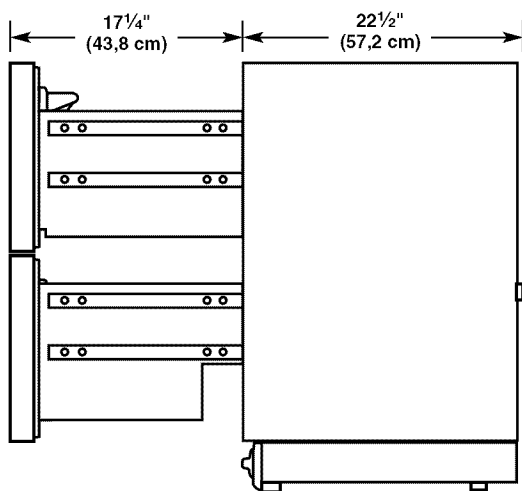
Medidas de apertura de los cajones

Las medidas varían según el modelo, como se muestra.

Estilo 1: Serie del euro

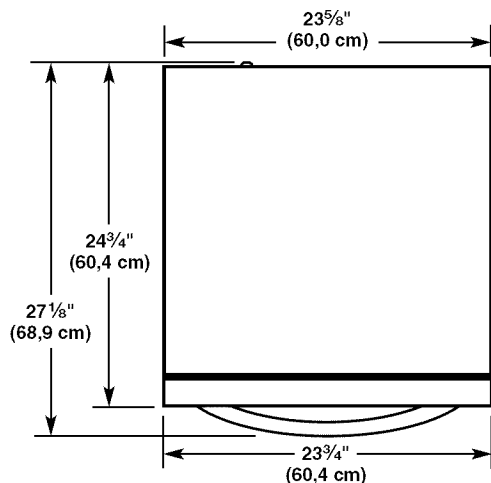


Estilo 2: Overlay

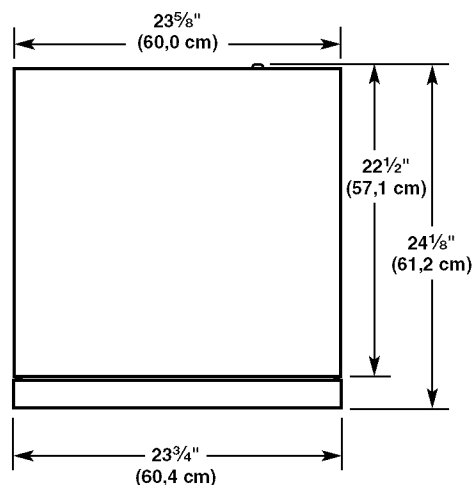


Medidas de anchura de los cajones

Estilo 1: Serie del euro



Estilo 2: Overlay



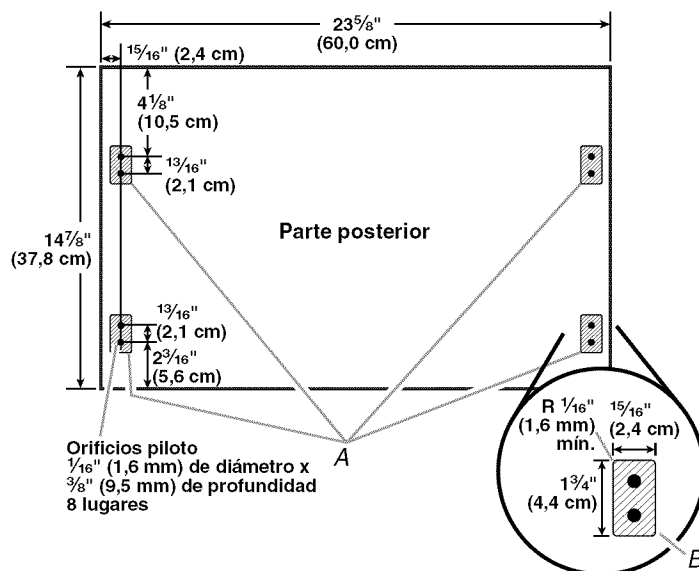
Estilo 2: Paneles de los cajones recubiertos a la medida

Si va a instalar paneles de madera a la medida, deberá hacerlos usted mismo o consultar un carpintero o fabricante de armarios calificado. Para obtener información acerca de las especificaciones de los paneles, vea los gráficos de dimensiones.

IMPORTANTE:

- El grosor de los paneles recubiertos debe ser de $\frac{3}{4}$ " (19,05 mm).
- Para evitar dañar los cajones, cada panel recubierto no debe pesar más de 10 lbs (4,5 kg).
- No sobrepase la medida de altura establecida para los paneles recubiertos. Los paneles que sobrepasan la medida de altura pueden dañar los cajones refrigerados, los armarios o el mostrador.
- El ancho de los paneles recubiertos puede variar de acuerdo con el ancho de la abertura del armario.

Medidas del panel superior e inferior de los cajones recubiertos



A. Ubicaciones de los ganchos recubiertos
B. Dirija a una profundidad de $\frac{1}{8}$ "

INSTRUCCIONES DE INSTALACIÓN

Cómo desempacar los cajones refrigerados

⚠ ADVERTENCIA

Peligro de Peso Excesivo

Use dos o más personas para mover e instalar el(los) cajón(cajones) refrigerado(s).

No seguir esta instrucción puede ocasionar una lesión en la espalda u otro tipo de lesiones.

Cómo quitar los materiales de empaque

Descarte apropiadamente los materiales de empaque. No use instrumentos filosos, alcohol para fricciones, líquidos inflamables o productos de limpieza abrasivos para eliminar los restos de cinta o goma. Estos productos pueden dañar la superficie de sus cajones refrigerados.

Cuando mueva sus cajones refrigerados:

Sus cajones refrigerados son muy pesados. Cuando mueva el electrodoméstico para darle servicio, cerciórese de cubrir el piso con cartón o madera para evitar daños en el mismo. Al mover el electrodoméstico, siempre tire directamente hacia afuera. No menee el electrodoméstico de lado a lado ni lo haga "caminar" cuando lo trate de mover ya que podría dañar el piso.

Limpieza antes del uso

Una vez que usted haya quitado todos los materiales de empaque, limpie el interior de sus cajones refrigerados antes de usarlos. Vea las instrucciones de limpieza en el Manual de uso y cuidado.

Conexión del suministro de agua (solamente en cajones refrigerados/cajones congeladores y cajones congeladores dobles)

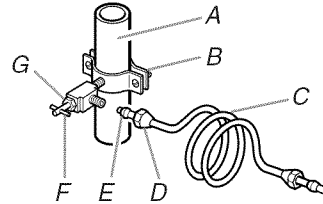
Conexión a la línea de agua

1. Desenchufe el refrigerador o desconecte el suministro de energía.
2. CIERRE el suministro principal de agua. ABRA la llave de agua más cercana el tiempo suficiente para que la tubería de agua se vacíe totalmente.
3. Busque una tubería vertical de agua fría de 1/2" a 1 1/4" (1,25 cm a 3,18 cm) cercana al refrigerador.

IMPORTANTE:

- Asegúrese de que sea una tubería de agua fría.
- Una tubería horizontal funcionará, pero taladre por el lado superior de la tubería, no por debajo. Esto ayudará a mantener el agua alejada del taladro. Esto también evita que se junte sedimento normal en la válvula.

4. Para determinar la longitud de la tubería de cobre que va a necesitar, mida desde la conexión de la parte inferior trasera izquierda del refrigerador hasta la tubería de agua. Agregue 7 pies (2,1 m) para la limpieza. Use tubería de cobre de 1/4" (6,35 mm) de diámetro externo. Asegúrese que ambos extremos de la tubería de cobre estén cortados rectos.
5. Usando un taladro conectado a tierra, haga un orificio de 1/4" en la tubería de agua fría que Ud. eligió.



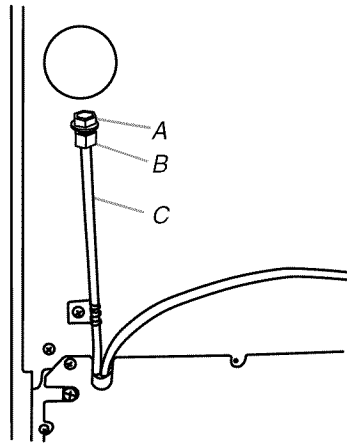
- A. Tubería de agua fría
B. Abrazadera para tubería
C. Tubería de cobre
D. Tuerca de compresión
E. Manga de compresión
F. Válvula de cierre
G. Tuerca de presión

6. Ajuste la válvula de cierre a la tubería de agua fría con una abrazadera para tubería. Asegúrese que el extremo de salida esté firmemente insertado en el orificio taladrado de 1/4" en la tubería de agua y que la arandela esté por debajo de la abrazadera para tubería. Ajuste la tuerca de presión. Ajuste los tornillos de la abrazadera para tubería con lentamente y en forma pareja de manera que la arandela provea un cierre hermético. No apriete demasiado porque se puede quebrar la tubería de cobre.
7. Deslice la manga de compresión y la tuerca de compresión sobre la tubería de cobre como se muestra. Inserte el extremo de la tubería en el extremo de salida hasta donde sea posible. Atornille la tuerca de compresión sobre el extremo de salida con una llave ajustable. No apriete demasiado.
8. Coloque el extremo libre de la tubería dentro de un recipiente o fregadero, y ABRA la llave de agua principal. Lave la tubería hasta que el agua salga limpia. CIERRE la válvula de cierre del agua en la tubería de agua. Enrolle la tubería de cobre en espiral.

Conexión al refrigerador

1. Conecte el tubo de cobre a la entrada de la válvula usando una tuerca de compresión y manga de compresión como se muestra. Ajuste la tuerca de compresión. No apriete demasiado. Use la abrazadera para tubería en la parte trasera del refrigerador para afianzar la tubería al refrigerador según se muestra. Esto ayudará a evitar daños en la tubería cuando el refrigerador se empuje nuevamente contra la pared.
2. ABRA la válvula de cierre.

3. Revise si hay fugas. Ajuste todas las conexiones (incluyendo conexiones a la válvula) o tuercas que tengan fugas.



A. Tapón
B. Tuerca de compresión
B. Tubería Pex

4. La fábrica de hielo está equipada con un filtro de agua incorporado. Si las condiciones del agua local requieren un segundo filtro de agua, se debe instalar en la línea de agua de 1/4" (6,35 mm) en cualquiera de las conexiones de la tubería. Consiga un filtro de agua en el distribuidor de electrodomésticos más cercano a su domicilio.
5. Enchufe el refrigerador o reconecte el suministro de energía.

Mueva los cajones refrigerados a su posición final

1. Coloque la parte superior del empaque de cartón o madera contrachapada debajo del electrodoméstico. Quite la plataforma rodante.
2. No quite la película o cubierta.

⚠ ADVERTENCIA



Peligro de Choque Eléctrico

Conecte a un contacto de pared de conexión a tierra de 3 terminales.

No quite la terminal de conexión a tierra.

No use un adaptador.

No use un cable eléctrico de extensión.

No seguir estas instrucciones puede ocasionar la muerte, incendio o choque eléctrico.

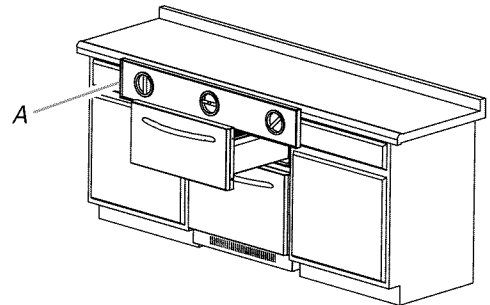
3. Conecte a un contacto de pared de conexión a tierra de 3 terminales.
4. Empuje los cajones refrigerados directamente hacia atrás y en forma pareja hacia el frente de la abertura.

Nivelación de los cajones refrigerados

IMPORTANTE:

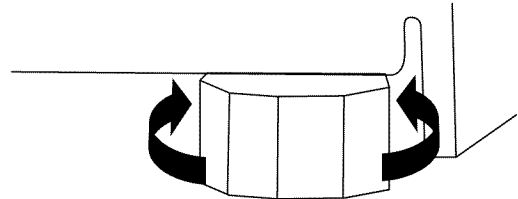
- Estilo 2 - Recubierto: Asegúrese de instalar los paneles para cajón recubierto a la medida antes de nivelar los cajones refrigerados para el modelo recubierto. Vea "Estilo 2 - Instalación de los paneles de los cajones recubiertos a la medida".
- Asegúrese de que el mostrador esté nivelado antes de instalar los cajones refrigerados.
- Si el mostrador no está nivelado, ajuste las patas niveladoras de los cajones refrigerados hasta que el aparato esté alineado con el mostrador. Asegúrese de mantener un espacio mínimo de 3/8" (9,5 mm) entre la parte superior del cajón y el mostrador.

1. Abra el cajón superior y ubique el nivel a lo ancho del cajón, como se muestra. Verifique que esté nivelado de izquierda a derecha.

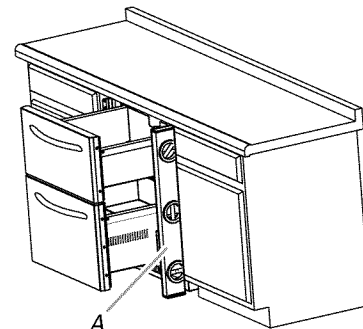


A. Verifique que esté nivelado de izquierda a derecha.

2. Gire las patas niveladoras (delantera y trasera) hasta que el cajón superior se vea nivelado al medirlo de izquierda a derecha.



3. Quite el nivel y cierre el cajón superior. Verifique el espacio entre la parte superior del cajón y el mostrador. Si el espacio mide menos del mínimo de 3/8" (9,5 mm), gire los cuatro pernos niveladores hacia la izquierda en forma pareja para subir las patas niveladoras (esto bajará el aparato). Verifique nuevamente la nivelación.
4. Abra ambos cajones menos de la mitad. Coloque el nivel en el reborde lateral al lado de los cajones, como se muestra. Gire juntos los pernos niveladores frontales para poder elevar o bajar el aparato hasta que los lados de los cajones refrigerados estén a plomo.



A. Verifique que esté nivelado de adelante hacia atrás.

5. Quite el nivel y cierre los cajones. Vuelva a verificar el espacio entre la parte superior del cajón y el mostrador. Si el espacio mide menos de $\frac{3}{8}$ " (9,5 mm), gire los cuatro pernos niveladores en forma pareja para subir las patas niveladoras (esto bajará el aparato). Verifique el nivel nuevamente.

NOTA: Asegúrese de volver a revisar la nivelación horizontal del cajón superior.

6. Verifique que los cuatro pernos niveladores están sobre el piso y que sostienen todo el peso de los cajones refrigerados.

Cómo instalar el panel recubierto a la medida

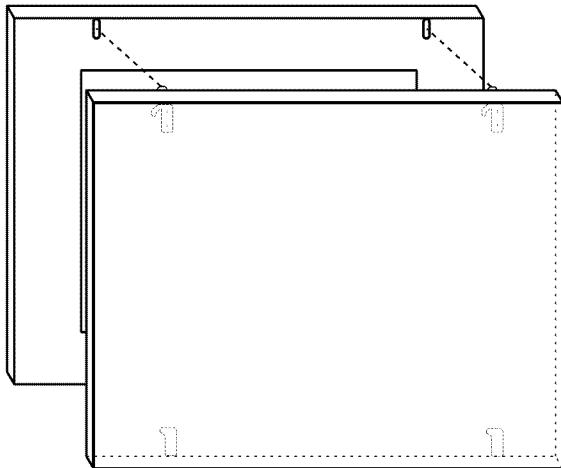
IMPORTANTE:

- Cree un panel recubierto a la medida de acuerdo con las especificaciones en la sección "Panel recubierto a la medida".
- Jenn-Air no es responsable de la remoción o adición de molduras o paneles decorativos que pudieran impedir el acceso al refrigerador para darle servicio.

Cómo fijar el panel recubierto

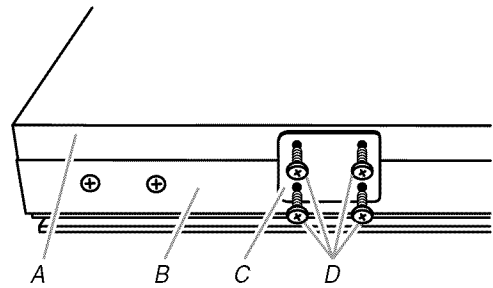
NOTA: Si los ganchos recubiertos no están instalados, consulte "Panel recubierto a la medida" para ver las ubicaciones de los ganchos recubiertos.

1. Ubique el panel recubierto $\frac{1}{2}$ " (1,27 cm) por encima de la puerta. Asegúrese de ubicar los ganchos recubiertos en los orificios piloto.



2. Inserte los ganchos recubiertos en los orificios superiores de la puerta. Empuje nuevamente el panel recubierto para forzar los ganchos recubiertos aún más dentro la puerta. Jale el panel recubierto directamente hacia abajo para asegurar los ganchos recubiertos en la puerta.

3. Ajuste con un destornillador Phillips las placas recubiertas a la parte inferior del panel recubierto y de la puerta, como se muestra.



A. Panel recubierto
B. Puerta

C. Placas recubiertas (2)
D. Tornillos de cabeza redonda (8)

Sistema de filtración de agua

No use con agua que no sea microbiológicamente segura o que sea de calidad desconocida sin desinfectarla adecuadamente antes o después del sistema.

Luz de estado del filtro de agua (en algunos modelos)

La luz de estado del filtro de agua le ayudará a saber cuándo cambiar el filtro de agua. La luz cambiará de verde a amarilla. Esto le dirá que es casi tiempo de cambiar el filtro de agua. Se recomienda reemplazar el filtro de agua cuando la luz de estado cambie a rojo o cuando el flujo de agua al despachador de agua o a la fábrica de hielo disminuya sensiblemente. Se debe reemplazar el filtro al menos una vez cada 6 meses según la calidad del agua y el uso.

Después de cambiar el filtro de agua, reajuste la luz de estado del filtro de agua. La luz de estado cambiará de rojo a verde cuando se reajuste el sistema.

Uso del despachador sin el filtro de agua

Puede usar el despachador sin un filtro de agua. El agua no estará filtrada.

1. Quite el filtro de agua.
2. Deslice la tapa separándola del extremo del filtro y vuelva a colocarla en la rejilla de la base.

IMPORTANTE: No descarte la tapa. Es parte de su refrigerador. Guarde la tapa para usarla con el filtro de reemplazo.

Complete la instalación

1. Quite todas las cajas, paquetes de piezas y materiales de empaque del interior de los cajones refrigerados.
2. Quite la película protectora.
3. Limpie los cajones refrigerados antes de usarlos.
4. Los controles se preestablecen en la fábrica a los ajustes recomendados. Verifique que el compresor está funcionando correctamente y que todas las luces funcionan.
5. Si se sigue construyendo después de haber instalado los cajones refrigerados, apague ambos cajones.

Para obtener un uso más eficiente de sus nuevos cajones refrigerados, lea la sección "Uso de los cajones refrigerados".

ANTES DEL USO

Cómo quitar los materiales de empaque

- Quite los residuos de cinta y goma de las superficies antes de encender los cajones refrigerados. Frote un poco de detergente líquido para vajillas sobre el resto de goma con los dedos. Limpie con agua tibia y seque.
- No use instrumentos filosos, alcohol para fricciones, líquidos inflamables o productos de limpieza abrasivos para eliminar los restos de cinta o goma. Estos productos pueden dañar la superficie de sus cajones refrigerados. Para obtener más información, vea “Seguridad de los cajones refrigerados”.

Limpieza antes del uso

Una vez que usted haya quitado todos los materiales de empaque, limpie el interior de sus cajones refrigerados antes de usarlos. Vea las instrucciones de limpieza en “Cuidado de los cajones refrigerados”.

USO DE LOS CAJONES REFRIGERADOS

⚠ ADVERTENCIA



Peligro de Choque Eléctrico

Conecte a un contacto de pared de conexión a tierra de 3 terminales.

No quite la terminal de conexión a tierra.

No use un adaptador.

No use un cable eléctrico de extensión.

No seguir estas instrucciones puede ocasionar la muerte, incendio o choque eléctrico.

- La contracción y expansión de las paredes internas pueden causar un ligero estallido.
- Ud. puede escuchar aire forzado por el ventilador del condensador sobre el condensador.
- Ud. puede escuchar agua corriendo hacia la bandeja recolectora durante el ciclo de apagado (OFF).

Cómo asegurar la debida circulación de aire

Para asegurarse las temperaturas adecuadas, es necesario permitir que el aire circule dentro de los cajones.

No bloquee ninguno de los orificios de ventilación. Si los orificios de ventilación están bloqueados, se obstruirá el flujo del aire y esto puede dar lugar a problemas de temperatura y humedad.

IMPORTANTE: Para evitar la transferencia de olores y la deshidratación de los alimentos, envuelva o tape bien los alimentos.

Uso de los controles

Los paneles de control para ambos cajones refrigerados están ubicados en el cajón superior. Para ver y fijar el panel de control superior e inferior, jale hacia fuera el cajón superior.

IMPORTANTE:

- Espere 24 horas después de encender los cajones refrigerados antes de colocar alimentos en los mismos. Si agrega alimentos antes de que los cajones se hayan enfriado por completo, sus alimentos podrían echarse a perder.

NOTA: El colocar los controles en un ajuste más bajo (más frío) en uno o ambos cajones no los enfriará más rápido.

- Si la temperatura está demasiado caliente o demasiado fría en los cajones, antes de regular los controles, revise primero los orificios de ventilación para cerciorarse de que no estén obstruidos.
- Los ajustes prefijados deben ser los correctos para un uso doméstico normal. El control del refrigerador está fijado correctamente cuando la leche o el jugo están tan fríos como a usted le gusta.
- El control del congelador está fijado correctamente cuando el helado tiene consistencia firme.
- Cuando un cajón permanece abierto por un período prolongado, la temperatura real puede ser diferente de la que se muestra en la pantalla.

Sonidos normales

Sus nuevos cajones refrigerados pueden hacer ruidos que sus viejos cajones refrigerados no hacían. Como estos sonidos son nuevos para Ud., puede ser que se preocupe. La mayoría de los sonidos nuevos son normales. Las superficies duras tales como el piso, paredes y armarios pueden hacer que los sonidos parezcan más fuertes. A continuación se describen los tipos de sonidos y qué puede causarlos.

- Sus cajones refrigerados están diseñados para funcionar con más eficiencia, y así conservar sus alimentos a la temperatura deseada y reducir al mínimo el uso de energía. El compresor y los ventiladores de alta eficiencia pueden causar que sus nuevos cajones refrigerados funcionen por períodos de tiempo más largos que sus cajones refrigerados viejos. También puede escuchar un sonido pulsante o agudo cuando el compresor o los ventiladores se ajustan para un funcionamiento óptimo.
- Puede ser que Ud. escuche el motor del ventilador del evaporador circulando el aire a través de los compartimientos de los cajones refrigerados. La velocidad del ventilador puede aumentar cuando se abren los cajones o se agregan alimentos tibios.
- Al final de cada ciclo, Ud. puede escuchar un gorgoteo debido al líquido refrigerante que corre a través de la tubería del sistema sellado.

Cómo encender/apagar los cajones

- Presione y sostenga Cooling On (Enfriamiento encendido) durante 3 segundos para encender los cajones. La luz indicadora se encenderá.



- Presione y sostenga Cooling On (Enfriamiento encendido) durante 3 segundos para apagar los cajones.

Para ver las temperaturas en centígrados

- Presione el botón táctil °C para cambiar la información de la temperatura en la pantalla de Fahrenheit a centígrados. El indicador se encenderá.



- Para volver a mostrar grados Fahrenheit, presione de nuevo °C.

Fíjelos en las temperaturas recomendadas

- Presione el botón táctil Set (Fijar) para volver a los puntos fijos de temperatura recomendados de fábrica.

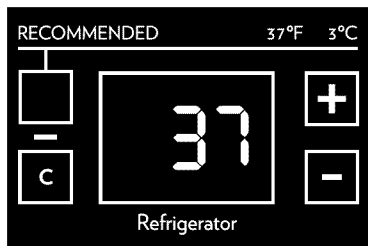


- El ajuste recomendado de temperatura para el cajón refrigerado es de 37°F (3°C). El ajuste recomendado de temperatura para el cajón del congelador es de 0°F (-18°C).

Cómo ajustar los puntos fijos de temperatura

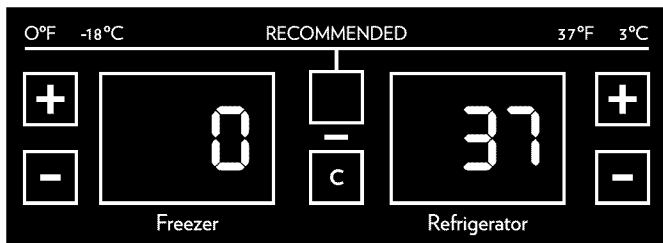
Estilo 1: Cajón refrigerado doble

El control del refrigerador ajusta la temperatura en los cajones superior e inferior.



Estilo 2: Cajones refrigerados/congelados

El control del refrigerador regula la temperatura en el cajón superior. El control del congelador regula la temperatura del cajón inferior.



Estilo 3: Cajones congelados dobles

El control del congelador ajusta la temperatura en los cajones superior e inferior.



IMPORTANTE: Espere por lo menos 24 horas entre ajustes. Vuelva a verificar las temperaturas antes de realizar otros ajustes.

Para regular temperaturas de punto de ajuste:

- Presione el botón táctil de PLUS (Más) (+) o MINUS (Menos) (-) del congelador o del refrigerador hasta alcanzar el ajuste de temperatura deseado.

NOTA: El rango de punto de ajuste para el cajón refrigerado es de 34°F (1°C) a 45°F (7°C). El rango de punto de ajuste para el cajón congelado es de -5°F (-20,5°C) a 5°F (-15°C).

Max Cool (Frío máximo) o Max Freeze (Congelamiento máximo)



La función de Max Cool (Frío máximo) o Max Freeze (Congelamiento máximo) ayuda en los períodos de uso intenso, cargas completas de comestibles o temperaturas ambientales momentáneamente elevadas.

Estilo 1: Cajón refrigerado doble

Max Cool (Frío máximo) reajustará la temperatura para ambos cajones hacia el ajuste más frío de 34°F (0,5°C) durante 24 horas.

Estilo 2: Cajones refrigerados/congelados

Max Cool (Frío máximo) reajustará la temperatura para ambos cajones hacia el ajuste más frío de 34°F (0,5°C) en el cajón refrigerado y -5°F (-20,5°C) en el cajón congelado durante 24 horas.

Estilo 3: Cajones congelados dobles

Max Freeze (Congelamiento máximo) reajustará la temperatura para ambos cajones hacia el ajuste más frío de -5°F (-20,5°C) durante 24 horas.

NOTA: La pantalla de temperatura permanecerá en el(los) ajuste(s) más frío(s) y la luz indicadora permanecerá encendida durante 24 horas. Después de 24 horas, el cajón retornará al (a los) punto(s) fijo(s) de temperatura y la luz indicadora se apagará.

Sabbath Mode (Modo de Sabbath)

La característica de Sabbath Mode (Modo de Sabbath) se ha concebido para los viajeros o para aquellas personas que debido a sus creencias religiosas necesitan que se apaguen las luces. Al seleccionar esta función, los puntos fijos de temperatura permanecen sin cambiarse y las luces interiores se apagarán. Para que los cajones funcionen de modo eficaz, se recomienda que salga de Sabbath Mode (Modo de Sabbath) cuando ya no lo necesite.

- Presione y sostenga el botón táctil de Sabbath Mode (Modo de Sabbath) durante 3 segundos para encender la característica. El indicador se encenderá.



- Presione y sostenga el botón táctil de Sabbath Mode (Modo de Sabbath) durante 3 segundos para apagar la característica.

Bloqueo de control

El panel de control puede bloquearse para evitar cambios accidentales de temperatura por parte de niños pequeños o durante la limpieza.

- Presione y sostenga el botón táctil de Control Lock (Bloqueo del control) durante 3 segundos para encender la característica. El indicador se encenderá.



- Para desactivar la característica, presione y sostenga el botón táctil Control Lock (Bloqueo de control) durante 3 segundos.

NOTA: Cuando está activado el bloqueo de los controles, los botones táctiles del panel de control no funcionarán. Cualquier intento de cambiar los ajustes producirá un sonido de bip indicando que el panel de control está bloqueado.

Cajón abierto/Reajuste de alarma

La alarma de cajón abierto sonará y se encenderá el indicador de Reajuste de alarma cuando se haya dejado un cajón abierto por más de 10 minutos.



Para desactivar temporalmente la alarma de Cajón abierto, presione y sostenga el botón táctil de Alarm Reset (Reajuste de alarma) durante 3 segundos. Al cerrar el cajón, la alarma audible dejará de sonar y se reajustará el temporizador de 10 minutos.

Fábrica de hielo y sistema de filtración de agua (solamente en cajones refrigerados/cajones congelados y cajones congelados dobles)

Para encender y apagar la fábrica de hielo

IMPORTANTE: Use la característica de Ice On (Hielo activado) en el panel de control para encender o apagar la fábrica de hielo. No ajuste el brazo de alambre ubicado en la fábrica de hielo.

- Presione y sostenga el botón táctil de Ice On (Hielo activado) durante 3 segundos para ENCENDER la fábrica de hielo. El indicador se encenderá.



- Presione y sostenga el botón táctil de Ice On (Hielo activado) durante 3 segundos para APAGAR la fábrica de hielo.

NOTA:

- Deje transcurrir 24 horas para la producción del primer lote de hielo. Deshágase de los tres primeros lotes de hielo producidos.
- La calidad del hielo dependerá de la calidad del agua que suministre a su fábrica de hielo. Evite la conexión de la fábrica de hielo a un suministro de agua blanda. Las sustancias químicas utilizadas para ablandar el agua (como la sal) pueden dañar ciertos componentes de la fábrica de hielo y producir un hielo de muy baja calidad. Si no se puede evitar el uso de un suministro de agua blanda, asegúrese de que el ablandador de agua esté funcionando correctamente y que goce de un buen mantenimiento.
- No guarde nada dentro del depósito de hielo.

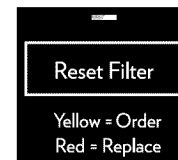
Sistema de filtración de agua

No use con agua que no sea microbiológicamente segura o que sea de calidad desconocida sin desinfectarla adecuadamente antes o después del sistema.

Indicador de filtro de agua/Reajuste del filtro

El indicador del filtro de agua le indicará cuándo deberá cambiar el cartucho del filtro de agua. El indicador cambiará de color oscuro a amarillo cuando sea el momento de pedir un nuevo filtro. Luego cambiará de amarillo a rojo cuando sea tiempo de reemplazar el cartucho del filtro. Se debe reemplazar el cartucho del filtro al menos una vez cada 6 meses según la calidad del agua y el uso.

Después de cambiar el cartucho del filtro de agua, reajuste el indicador del filtro de agua.



- Presione y sostenga el botón táctil de Reset Filter (Reposición del filtro) durante 3 segundos. La luz de estado cambiará de color rojo a oscuro.

Cómo cambiar el cartucho del filtro de agua

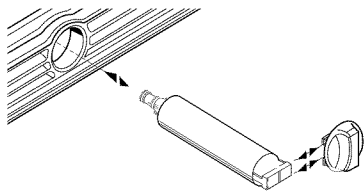
El cartucho del filtro de agua está ubicado atravesado en la rejilla de la base. Usted no tiene que quitar la rejilla de la base para cambiar el cartucho del filtro de agua.

1. Localice la tapa del cartucho del filtro de agua en la rejilla de la base frontal. Gire la tapa en dirección contraria a las manecillas del reloj hasta la posición vertical y jale la tapa y el cartucho del filtro hasta sacarlos por la rejilla de la base.

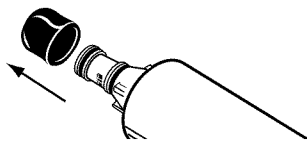
NOTA: Siempre queda agua en el cartucho. Es posible que se derrame un poco de esa agua.

2. Quite la tapa del cartucho del filtro de agua deslizándola del extremo del cartucho viejo. La tapa se deslizará a la izquierda o a la derecha.

IMPORTANTE: No descarte la tapa. Es parte de su refrigerador. Guarde la tapa para usarla con el filtro de reemplazo.

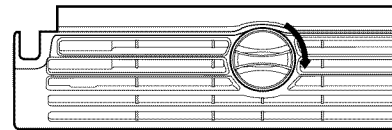


3. Saque el cartucho nuevo de su empaque y quite la cubierta protectora de los anillos O.



4. Deslice la tapa del cartucho sobre el cartucho nuevo. Vea la ilustración del paso 2.

5. Con la tapa del cartucho en posición vertical, empuje el cartucho nuevo del filtro dentro de la rejilla de la base hasta que se detenga. Gire la tapa del cartucho en dirección de las manecillas del reloj hasta la posición horizontal. Enjuague el sistema de agua. Vea “Cómo enjuagar el sistema de agua después de cambiar el filtro” más adelante en esta sección.



Uso de la fábrica de hielo sin el filtro de agua

Puede usar la fábrica de hielo sin un cartucho de filtro de agua. El agua no estará filtrada.

1. Deslice la tapa del cartucho hasta el extremo del cartucho del filtro. Con la tapa del cartucho en la posición horizontal, inserte la tapa en la rejilla de la base hasta que se detenga.

IMPORTANTE: No descarte la tapa. Es parte de su refrigerador. Guarde la tapa para usarla con el filtro de reemplazo.

CUIDADO DE LOS CAJONES REFRIGERADOS

Limpieza

ADVERTENCIA



Peligro de Explosión

Use un limpiador no inflamable.

No seguir esta instrucción puede ocasionar la muerte, explosión o incendio.

Los cajones se descongelan automáticamente. No obstante, limpie ambos cajones más o menos una vez al mes para evitar la acumulación de olores. Limpie los derrames de inmediato.

Para limpiar sus cajones refrigerados:

1. Lave a mano, enjuague y seque todas las superficies interiores meticulosamente. Use una esponja limpia o un paño liso y un detergente suave en agua tibia.
 - No use productos de limpieza abrasivos o ásperos, como aerosoles para ventanas, productos de limpieza para pulir, líquidos inflamables, ceras para limpieza, detergentes concentrados, blanqueadores o productos de limpieza que contengan productos de petróleo en las partes de plástico, revestimientos de los cajones o empaquetaduras. No use toallas de papel, estropajos para fregar u otros utensilios de limpieza ásperos. Estos pueden rayar o dañar los materiales.
 - Para ayudar a eliminar olores, puede lavar las paredes interiores con una mezcla de agua tibia y bicarbonato de sodio (2 cucharadas en un cuarto de galón [26 g en 0,95 L] de agua).

2. Lave las superficies externas metálicas pintadas y de acero inoxidable con una esponja limpia o un paño suave y detergente delicado con agua tibia. No use productos de limpieza abrasivos o ásperos. Seque meticulosamente con un paño suave. Para evitar daño a los exteriores pintados del metal, aplique la cera de la aplicación (o la cera auto de la goma) con un paño limpio y suave. No encere las partes de plástico.

NOTA: Para mantener como nuevos sus cajones refrigerados de acero inoxidable y para quitar marcas o rayaduras pequeñas, se sugiere usar un limpiador de acero inoxidable aprobado por el fabricante. Para ordenar el limpiador, vea “Accesorios”.

IMPORTANTE: ¡Este limpiador es solamente para partes de acero inoxidable!

No permita que el limpiador para acero inoxidable entre en contacto con ninguna parte de plástico tales como las piezas decorativas o las empaquetaduras de los cajones. Si se produce contacto accidental, limpie la pieza de plástico con una esponja y detergente suave en agua tibia. Seque meticulosamente con un paño suave.

Cortes de corriente

Si no va a haber electricidad por 24 horas o menos, mantenga los dos cajones refrigerados cerrados para que los alimentos se mantengan fríos.

Si el corte de electricidad va a durar más de 24 horas haga lo siguiente:

- Ponga todos los alimentos perecederos en una conservadora de alimentos o en un enfriador con hielo seco.
- Si no tiene conservadora de alimentos ni enfriador, consuma los alimentos si aún están fríos o deshágase de los alimentos perecederos de inmediato.

Cuidado durante las vacaciones

Sus cajones refrigerados están equipados con la característica Holiday Mode (Modo de día de fiesta). Al seleccionar esta función, los puntos fijos de temperatura permanecen sin cambiarse y las luces interiores se apagan. Para que los cajones refrigerados funcionen de modo eficaz, se recomienda que salga de Holiday Mode (Modo de día de fiesta) cuando ya no lo necesite.

Si usted decide dejar los cajones refrigerados funcionando mientras está ausente:

1. Use todos los artículos perecederos y congele el resto.
2. Presione el botón táctil de HOLIDAY MODE (Modo de día de fiesta).
3. Cuando usted vuelva de sus vacaciones, presione el botón táctil HOLIDAY MODE para volver al funcionamiento normal.

Si usted decide apagar los cajones refrigerados antes de irse:

1. Saque toda la comida de los cajones refrigerados.
2. Fije el panel de control para los cajones superior e inferior en Off (Apagado). Vea "Uso de los controles".
3. Limpie los cajones refrigerados, páseles un trapo y séquelos bien.
4. Fije bloques de goma o de madera con cinta adhesiva a ambos cajones para que queden abiertos y el aire circule. Esto evita que se formen olores y que crezcan hongos.

SOLUCIÓN DE PROBLEMAS

Primero pruebe las soluciones sugeridas aquí para evitar el costo innecesario del servicio.

Sus cajones refrigerados no funcionan

⚠ ADVERTENCIA



Peligro de Choque Eléctrico

Conecte a un contacto de pared de conexión a tierra de 3 terminales.

No quite la terminal de conexión a tierra.

No use un adaptador.

No use un cable eléctrico de extensión.

No seguir estas instrucciones puede ocasionar la muerte, incendio o choque eléctrico.

- **¿Está desenchufado el cable de suministro de energía?** Conecte a un contacto de pared de conexión a tierra de 3 terminales.
- **¿Hay un fusible de la casa fundido o se disparó el cortacircuitos?** Reemplace el fusible o reposicione el cortacircuitos. Si el problema continúa, llame a un electricista.
- **¿Está el control de los cajones refrigerados fijo en la posición de Off (Apagado)?** Vea "Uso de los controles".
- **¿No están enfriando los cajones refrigerados?** Gire la unidad a Off (Apagado) y luego a On (Encendido) para reajustarla. Vea "Uso de los controles". Si esto no corrige el problema, llame al servicio técnico.

Parece que el motor funciona excesivamente

- **¿Está la temperatura ambiente más caliente que lo normal?** En condiciones de calor, el motor funciona por períodos más largos. Cuando la temperatura ambiente es normal, el motor funciona el 80% del tiempo. Si la habitación está caliente, puede funcionar por más tiempo.
- **¿Se acaba de agregar una gran cantidad de alimentos a los cajones refrigerados?** Agregar grandes cantidades de alimentos hace que se calienten los cajones refrigerados. Es normal que el motor funcione por períodos más prolongados para volver a enfriar los cajones refrigerados.
- **¿Se abren los cajones con frecuencia?** Cuando esto ocurre, el motor funcionará por períodos más largos. Para ahorrar energía, trate de sacar todo lo que necesita del refrigerador de una sola vez, mantenga los alimentos organizados y cierre el cajón inmediatamente después de sacarlos.
- **¿No se han ajustado los controles correctamente de acuerdo con las condiciones circundantes?** Vea "Uso de los controles".
- **¿No están los cajones completamente cerrados?** Cierre los cajones con firmeza. Si no cierran completamente, vea "Los cajones no cierran completamente" más adelante en esta sección.
- **¿No están selladas por completo las empaquetaduras de los cajones?** Llame a una persona calificada o a un técnico.

Los cajones refrigerados parecen hacer mucho ruido

Los sonidos pueden ser normales para sus cajones refrigerados. Vea “Sonidos normales”.

El divisor entre los dos compartimientos está caliente

Probablemente el calor se debe al funcionamiento normal del control automático de humedad exterior. Si aún le preocupa, solicite servicio.

La temperatura está demasiado caliente

- **¿Están bloqueados los orificios de ventilación en cualquiera de los compartimientos?** Esto obstruye el movimiento de aire frío entre los compartimientos. Saque todos los objetos que bloquean los orificios de ventilación. Vea la ubicación de los orificios en “Cómo asegurar la debida circulación del aire”.
- **¿Se abren los cajones con frecuencia?** Los cajones refrigerados se calientan cuando esto ocurre. Mantenga los cajones refrigerados fríos sacando todo lo que necesite de una sola vez, manteniendo los alimentos organizados y cerrando la puerta inmediatamente después de sacarlos.
- **¿Se acaba de agregar una gran cantidad de alimentos a los cajones refrigerados?** Agregar grandes cantidades de alimentos hace que se calienten los cajones refrigerados. Pueden transcurrir varias horas para que los cajones refrigerados recuperen su temperatura normal.
- **¿Se han ajustado los controles correctamente de acuerdo con las condiciones circundantes?** Vea “Uso de los controles”.
- **¿No están enfriando los cajones refrigerados?** Apáguelos y luego enciéndalos nuevamente para reajustarlos. Vea “Uso de los controles”. Si esto no corrige el problema, llame al servicio técnico.

Hay acumulación de humedad en el interior

- **¿Están bloqueados los orificios de ventilación en los cajones refrigerados?** Saque todos los objetos que bloquean los orificios de ventilación. Vea la ubicación de los orificios en “Cómo asegurar la debida circulación del aire”.
- **¿Se abren los cajones con frecuencia?** Evite la acumulación de humedad sacando todo lo que necesita de una sola vez, mantenga los alimentos organizados y cierre el cajón inmediatamente después de sacarlos.
- **¿Está húmeda la habitación?** Es normal que se acumule humedad dentro de los cajones refrigerados cuando el aire exterior está húmedo.
- **¿Se han envuelto correctamente los alimentos?** Verifique que todos los alimentos estén bien envueltos. Seque los envases de alimentos que estén húmedos antes de colocarlos en los cajones refrigerados.
- **¿Se han ajustado los controles correctamente de acuerdo con las condiciones circundantes?** Vea “Uso de los controles”.

Los cajones no cierran completamente

- **¿Hay paquetes de comida que impiden que se cierre el cajón?** Ordene los recipientes de manera que queden más juntos y ocupen menos espacio.

Es difícil abrir los cajones

ADVERTENCIA



Peligro de Explosión

Use un limpiador no inflamable.

No seguir esta instrucción puede ocasionar la muerte, explosión o incendio.

- **¿Están las empaquetaduras sucias o pegajosas?** Limpie las empaquetaduras y las superficies que éstas toquen. Frote una capa delgada de cera de parafina sobre las empaquetaduras, después de la limpieza.

AYUDA O SERVICIO TÉCNICO

Antes de solicitar ayuda o servicio técnico, por favor consulte la sección "Solución de Problemas". Esto le podría ahorrar el costo de una visita de servicio técnico. Si considera que aún necesita ayuda, siga las instrucciones que aparecen a continuación.

Cuando llame, tenga a mano la fecha de compra y el número completo del modelo y de la serie de su electrodoméstico. Esta información nos ayudará a atender mejor a su pedido.

Si necesita piezas de repuesto

Si necesita pedir refacciones, recomendamos que use únicamente piezas de repuesto especificadas de fábrica. Las piezas de repuesto especificadas de fábrica encajarán bien y funcionarán bien ya que están confeccionadas con la misma precisión empleada en la fabricación de cada electrodoméstico nuevo de Jenn-Air®.

Para encontrar piezas de repuesto especificadas de fábrica en su localidad, llámenos o llame al centro de servicio designado más cercano a su localidad.

En los EE.UU.

Llame al centro para la eXperiencia del cliente de Jenn-Air sin costo alguno al: **1-800-688-1100**.

Nuestros consultores ofrecen ayuda para:

- Características y especificaciones de nuestra línea completa de electrodomésticos.
- Información sobre la instalación.
- Procedimiento para el uso y mantenimiento.
- Venta de accesorios y partes para reparación.
- Asistencia especializada para el consumidor (habla hispana, problemas de audición, visión limitada, etc.).
- Recomendaciones con distribuidores locales, compañías que dan servicio y distribuidores de partes para reparación. Los técnicos de servicio designados por Jenn-Air están entrenados para cumplir con la garantía del producto y ofrecer servicio una vez que la garantía termine, en cualquier lugar de los Estados Unidos.

Para localizar a una compañía de servicio designada por Jenn-Air en su área, también puede consultar la sección amarilla de su guía telefónica.

Para obtener asistencia adicional

Si necesita asistencia adicional, puede escribir a Jenn-Air con sus preguntas o dudas a:

Jenn-Air Brand Home Appliances
Centro para la eXperiencia del cliente
553 Benson Road
Benton Harbor, MI 49022-2692

Por favor incluya en su correspondencia un número de teléfono en el que se le pueda localizar durante el día.

En Canadá

Llame al Centro de Interacción del Cliente de Jenn-Air en Canadá sin costo alguno al: **1-800-807-6777**.

Nuestros consultores ofrecen ayuda para:

- Características y especificaciones de nuestra línea completa de electrodomésticos.
- Procedimiento para el uso y mantenimiento.
- Venta de accesorios y partes para reparación.
- Recomendaciones con distribuidores locales, compañías que dan servicio y distribuidores de partes para reparación. Los técnicos de servicio designados por Jenn-Air Canada están entrenados para cumplir con la garantía del producto y ofrecer servicio una vez que la garantía termine, en cualquier lugar de Canadá.

Para obtener asistencia adicional

Si necesita asistencia adicional, puede escribir a Jenn-Air Canada con sus preguntas o dudas a:

Jenn-Air Brand Home Appliances
Centro para la eXperiencia del cliente
1901 Minnesota Court
Mississauga, Ontario L5N 3A7

Por favor incluya en su correspondencia un número de teléfono en el que se le pueda localizar durante el día.

Accesorios

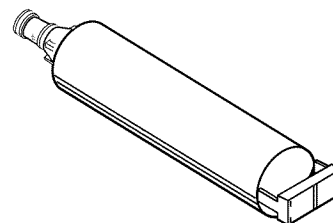
Para pedir accesorios, llame al **1-800-442-9991** y solicite el número de pieza apropiado que se detalla a continuación o póngase en contacto con su distribuidor autorizado de Jenn-Air. En Canadá, llame al **1-800-807-6777**.

Filtro bajo del agua de la parrilla

No use con agua que no sea microbiológicamente segura o que sea de calidad desconocida sin desinfectarla adecuadamente antes o después del sistema.

Filtro del reemplazo

Pieza #4396702 (L200V/NL120V) de la orden



HOJA DE DATOS DEL PRODUCTO

Sistema de filtración de agua de la rejilla de la base Modelo WF-L200V Capacidad de 200 galones (757 litros) Modelo WF-NL120V Capacidad de 120 galones (454 litros)



Comprobado y certificado por NSF International, según la norma 42 ANSI/NSF para reducción de cloro, sabor y olor, Clase de partículas III*; y bajo la norma 53 ANSI/NSF para la reducción de plomo, mercurio, benceno, y paradiclorobenceno.

Este sistema ha sido comprobado según la norma ANSI/NSF 42/53 para la reducción de las sustancias citadas a continuación. La concentración de las sustancias indicadas en agua entrando al sistema fue reducida a una concentración menor o igual al límite permitido para agua saliendo del sistema, tal como se especifica en la norma ANSI/NSF 42/53.

Reducción de sustancias Efectos estéticos	Requisitos de reducción de NSF	Promedio influente	Concentración en el agua a tratar	Máximo efluente	Promedio efluente	% Mínimo reducción	Promedio % reducción
Cloro, sabor/olor Clase de partículas III*	≥50% ≥85%	1,9 mg/L 49.333/mL	2,0 mg/L ± 10% Por lo menos 10.000 partículas/mL	0,07 mg/L 640 mg/L**	0,06 mg/L 312/mL	>75% 98,7%	>75% 99,0%

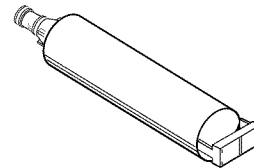
Reducción de contaminantes	Requisitos de reducción de NSF	Promedio influente	Concentración en el agua a tratar	Máximo efluente	Promedio efluente	% Mínimo reducción	Promedio % reducción
Plomo: @ pH 6,5 Plomo: @ pH 8,5	0,01mg/L 0,01mg/L	0,14 mg/L*** 0,15 mg/L***	0,15 mg/L ± 10% 0,15 mg/L ± 10%	0,0014 mg/L 0,0069 mg/L	0,0011 mg/L 0,0042 mg/L	99,0% 95,4%	99,21% 97,08%
Mercurio: @ pH 6,5 Mercurio: @ pH 8,5	0,002 mg/L 0,002 mg/L	0,0059 mg/L 0,0054 mg/L	0,006 mg/L ± 10% 0,006 mg/L ± 10%	0,0009 mg/L 0,0007 mg/L	0,0004 mg/L 0,00043 mg/L	84,74% 87,03%	92,47% 91,93%
Benceno	0,0050 mg/L	0,0157 mg/L	0,015 ± 10%	0,002 mg/L	0,00083 mg/L	87,26%	94,71%
Paradiclorobenceno	0,075 mg/L	0,210 mg/L	0,225 ± 10%	0,0005 mg/L	0,0005 mg/L	99,76%	99,76%

Parámetros de la prueba: pH = 7,5 ± 0,5 si no se indica lo contrario. Flujo= 0,5 gpm (1,9 Lpm). Presión = 60 lbs/pulg² (413,7 kPa) Temp. = 63°F (17,2°C).

- Es esencial que los requerimientos de operación, mantenimiento y reemplazo del filtro se lleven a cabo para que este producto se desempeñe tal como se ofrece en la publicidad.
- **Modelo WF-L200V:** El sistema de control del filtro mide la cantidad de agua que pasa a través del filtro y le avisa que debe reemplazarlo. Cuando se ha usado el 90% de la duración nominal del filtro, la luz indicadora del filtro cambia de verde a amarillo. Cuando se ha usado 100% de la duración nominal del filtro, la luz indicadora del filtro cambia de amarillo a rojo y se le recomienda reemplazar el filtro. Use el cartucho de repuesto L200V/NL120V, pieza No. 4396702. El precio sugerido de venta al por menor durante el año 2006 es de \$32,99 EE.UU./\$49,99 Canadá. Precios sujetos a cambio sin previo aviso.
- **Modelo WF-NL120V:** Cambie el cartucho del filtro de agua cada 6 a 9 meses. Use el cartucho de repuesto L200V/NL120V, pieza No. 4396702. El precio sugerido de venta al por menor durante el año 2006 es de \$32,99 EE.UU./\$49,99 Canadá. Precios sujetos a cambio sin previo aviso.
- El producto es para uso con agua fría únicamente.
- No use con agua que no sea microbiológicamente segura o que sea de calidad desconocida sin desinfectarla adecuadamente antes o después del sistema.
- Favor de ver la portada o la sección "Accesorios" para obtener el nombre, dirección y número telefónico del fabricante.
- Favor de ver la sección "Garantía" para verificar la garantía limitada del fabricante.

Pautas de aplicación/Parámetros para el suministro de agua

Suministro de agua	Municipal o de pozo
Presión del agua	30 - 120 lbs/pulg. ² (207 - 827 kPa)
Temperatura del agua	33° - 100°F (0,6° - 37,8° C)
Flujo nominal de servicio	0,5 gpm (1,89 L/min.) @ 60 lbs/pulg. ²



*Tamaño de las partículas clase III: >0,5 a <15 um

**El requisito de prueba es de cuando menos 10.000 partículas/ml de Polvo Fino de prueba AC.

***Estos contaminantes no se encuentran necesariamente en su suministro de agua. El desempeño puede variar dependiendo de las condiciones del agua local.

© NSF es una marca registrada de NSF International.

GARANTÍA DEL REFRIGERADOR JENN-AIR®

GARANTÍA LIMITADA

Durante un año a partir de la fecha de compra, siempre y cuando se dé a este electrodoméstico principal un uso y mantenimiento de conformidad con las instrucciones adjuntas o provistas con el producto, la marca Jenn-Air de Whirlpool Corporation o Whirlpool Canada LP (en lo sucesivo denominada "Jenn-Air") se hará cargo del costo de las piezas de repuesto especificadas de fábrica y del trabajo de reparación para corregir defectos en los materiales o en la mano de obra, existentes en el momento de la compra de este electrodoméstico principal. El servicio deberá ser suministrado por una compañía de servicio designada por Jenn-Air. SU ÚNICO Y EXCLUSIVO RECURSO SEGÚN LOS TÉRMINOS DE ESTA GARANTÍA LIMITADA SERÁ EL DE REPARAR EL PRODUCTO SEGÚN SE ESTIPULA EN LA PRESENTE. Esta garantía limitada es válida solamente en Estados Unidos o en Canadá, y se aplica solamente cuando el electrodoméstico principal se use en el país en el que se ha comprado. Se requiere una prueba de la fecha de compra original para obtener servicio bajo esta garantía limitada.

En los modelos con un filtro de agua: garantía limitada de 30 días del filtro de agua. Durante 30 días a partir de la fecha de compra, siempre y cuando se dé al filtro un uso y mantenimiento de conformidad con las instrucciones adjuntas o provistas con el producto, Jenn-Air pagará por un filtro de agua de repuesto para corregir defectos en los materiales y en la mano de obra.

GARANTÍA LIMITADA DEL SEGUNDO AL QUINTO AÑO EN EL REVESTIMIENTO DE LA CAVIDAD Y LAS PIEZAS DEL SISTEMA DE REFRIGERACIÓN SELLADO

Durante el segundo al quinto año desde la fecha de compra, cuando este electrodoméstico principal sea operado y mantenido de acuerdo a las instrucciones adjuntas o provistas con el producto, Jenn-Air pagará por las piezas de repuesto del revestimiento de la cavidad del refrigerador/ congelador (incluyendo los costos de mano de obra) si la pieza se rompiera debido a defectos de material o de mano de obra. Además, del segundo al quinto año de la fecha de compra, cuando este electrodoméstico principal sea operado y mantenido de acuerdo a las instrucciones adjuntas o provistas con el producto, Jenn-Air pagará por las piezas especificadas de fábrica y mano de obra para corregir defectos en los materiales o la mano de obra en el sistema de refrigeración sellado, existentes en el momento de la compra de este electrodoméstico principal: compresor, evaporador, condensador, secador y los tubos conectores.

EXCLUSIONES DE LA GARANTÍA

Esta garantía limitada no cubre:

1. Piezas de repuesto o mano de obra si este electrodoméstico principal se usa de un modo diferente al doméstico normal de una familia, o cuando se use de un modo contrario a las instrucciones publicadas para el usuario u operador y/o las instrucciones de instalación.
2. Visitas de servicio técnico para corregir la instalación de su electrodoméstico principal, para enseñarle a usar su electrodoméstico principal, para cambiar o reparar fusibles domésticos o para corregir la instalación eléctrica o de la tubería de la casa.
3. Visitas de servicio técnico para reparar o reemplazar focos para electrodomésticos, filtros de aire o filtros de agua. Las piezas de consumo están excluidas de la cobertura de la garantía.
4. Daños causados por accidente, alteración, uso indebido, abuso, incendio, inundación, actos fortuitos, instalación incorrecta, instalación que no esté de acuerdo con los códigos eléctricos o de plomería, o el empleo de productos no aprobados por Jenn-Air.
5. Daños estéticos, incluyendo rayaduras, abolladuras, desportilladuras u otro daño al acabado de su electrodoméstico principal, a menos que el mismo sea debido a defectos en los materiales o la mano de obra y se le informe a Jenn-Air en un lapso de 30 días a partir de la fecha de compra.
6. Cualquier pérdida de comida o medicamentos debido a fallas del refrigerador o del congelador.
7. Recogida y entrega. Este electrodoméstico principal se ha destinado para ser reparado en el hogar.
8. Reparaciones de piezas o sistemas como resultado de modificaciones no autorizadas que se hayan efectuado en el electrodoméstico.
9. Gastos de viaje y transporte para obtener servicio para el producto, si su electrodoméstico principal está ubicado en un lugar remoto en el cual no haya disponible un técnico de servicio autorizado por Jenn-Air.
10. La remoción y reinstalación de su electrodoméstico principal, si estuviera instalado en un lugar inaccesible o si no estuviera instalado de conformidad con las instrucciones de instalación publicadas por Jenn-Air.
11. Piezas de repuesto o mano de obra en electrodomésticos principales con números de modelo/serie originales que se hayan removido, alterado o que no puedan ser identificados con facilidad.

EXCLUSIÓN DE GARANTÍAS IMPLÍCITAS

LAS GARANTÍAS IMPLÍCITAS, INCLUYENDO CUALQUIER GARANTÍA IMPLÍCITA DE COMERCIABILIDAD O GARANTÍA IMPLÍCITA DE CAPACIDAD PARA UN PROPÓSITO PARTICULAR, SERÁN LIMITADAS A UN AÑO O AL PERÍODO MÁS CORTO PERMITIDO POR LEY. Algunos estados y provincias no permiten la limitación de la duración de garantías implícitas de comerciabilidad o aptitud, de modo que la limitación arriba indicada quizás no le corresponda. Esta garantía le otorga derechos legales específicos, y es posible que usted tenga también otros derechos que varían de un estado a otro o de una provincia a otra.

LIMITACIÓN DE RECURSOS; EXCLUSIÓN DE DAÑOS INCIDENTALES O CONSECUENTES

SU ÚNICO Y EXCLUSIVO RECURSO SEGÚN LOS TÉRMINOS DE ESTA GARANTÍA LIMITADA SERÁ EL DE REPARAR EL PRODUCTO SEGÚN SE ESTIPULA EN LA PRESENTE. JENN-AIR NO SE RESPONSABILIZARÁ POR DAÑOS INCIDENTALES O CONSECUENTES. Algunos estados y provincias no permiten la exclusión o limitación de daños incidentales o consecuentes, de modo que estas limitaciones y exclusión quizás no le correspondan. Esta garantía le otorga derechos legales específicos, y es posible que usted tenga también otros derechos que varían de un estado a otro o de una provincia a otra.

Si usted se encuentra fuera de los cincuenta Estados Unidos y Canadá, póngase en contacto con su distribuidor autorizado de Jenn-Air para determinar si corresponde otra garantía.

Si considera que necesita servicio de reparación, consulte primero la sección "Solución de problemas" del Manual de uso y cuidado. Si no ha podido resolver el problema después de consultar la sección "Solución de problemas", puede encontrar ayuda adicional en la sección "Ayuda o servicio técnico," o llamando a Jenn-Air. En los EE.UU., llame al **1-800-688-1100**. En Canadá, llame al **1-800-807-6777**. 6/08

Guarde este libro y su comprobante de compra juntos para referencia futura. Usted deberá proporcionar el comprobante de la compra o una fecha de instalación para obtener servicio bajo la garantía.

Escriba la siguiente información acerca de su electrodoméstico principal para ayudarlo mejor a obtener asistencia o servicio técnico si alguna vez llegara a necesitarlo. Deberá tener a mano el número completo del modelo y de la serie. Usted puede encontrar esta información en la etiqueta con el número de modelo y de serie ubicada en el producto.

Nombre del distribuidor _____

Dirección _____

Número de teléfono _____

Número de modelo _____

Número de serie _____

Fecha de compra _____

SÉCURITÉ DES TIROIRS RÉFRIGÉRÉS

Votre sécurité et celle des autres est très importante.

Nous donnons de nombreux messages de sécurité importants dans ce manuel et sur votre appareil ménager. Assurez-vous de toujours lire tous les messages de sécurité et de vous y conformer.



Voici le symbole d'alerte de sécurité.

Ce symbole d'alerte de sécurité vous signale les dangers potentiels de décès et de blessures graves à vous et à d'autres.

Tous les messages de sécurité suivront le symbole d'alerte de sécurité et le mot "DANGER" ou "AVERTISSEMENT". Ces mots signifient :

⚠ DANGER

Risque possible de décès ou de blessure grave si vous ne suivez pas immédiatement les instructions.

⚠ AVERTISSEMENT

Risque possible de décès ou de blessure grave si vous ne suivez pas les instructions.

Tous les messages de sécurité vous diront quel est le danger potentiel et vous disent comment réduire le risque de blessure et ce qui peut se produire en cas de non-respect des instructions.

IMPORTANTES INSTRUCTIONS DE SÉCURITÉ

AVERTISSEMENT : Pour réduire les risques d'incendie, de choc électrique ou de blessures lors de l'utilisation du(des) tiroir(s) réfrigéré(s), prendre quelques précautions fondamentales, y compris les suivantes :

- Brancher l'appareil sur une prise à 3 alvéoles reliée à la terre.
- Ne pas enlever la broche de liaison à la terre.
- Ne pas utiliser un adaptateur.
- Ne pas utiliser un câble de rallonge.
- Déconnecter la source de courant électrique avant l'entretien.
- Replacer pièces et panneaux avant de faire la remise en marche.
- Ôter la porte ou le(s) tiroir(s) de votre vieil appareil réfrigéré.
- Utiliser un produit de nettoyage ininflammable.
- Garder les matières et les vapeurs inflammables, telle que l'essence, loin du(des) tiroir(s) réfrigéré(s).
- Utiliser deux ou plus de personnes pour déplacer et installer le(s) tiroir(s) réfrigéré(s).

CONSERVEZ CES INSTRUCTIONS

Mise au rebut correcte de votre vieil appareil réfrigéré

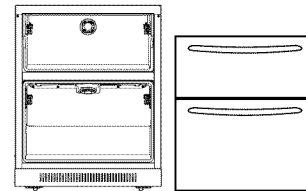
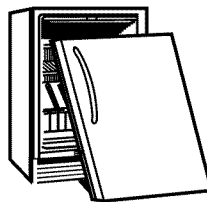
Avant de jeter votre vieil appareil réfrigéré :
Enlever la porte ou le(s) tiroir(s).

⚠ AVERTISSEMENT

Risque de suffoquer

Enlever la porte ou le(s) tiroir(s) de votre vieil appareil réfrigéré.

Le non-respect de cette instruction peut causer un décès ou des lésions cérébrales.



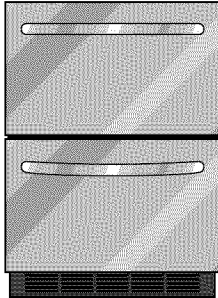
IMPORTANT : L'emprisonnement et l'étouffement des enfants ne sont pas un problème du passé. Le vieil appareil réfrigéré jetés ou abandonnés sont encore dangereux, même s'ils sont laissés abandonnés pendant "quelques jours seulement". Si vous vous débarrassez de votre vieil appareil réfrigéré, veuillez suivre les instructions suivantes pour aider à éviter les accidents.

SPÉCIFICATIONS DE DESIGN

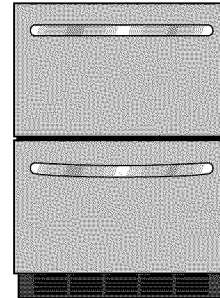
Modèles de tiroirs de 24"

Double tiroir de réfrigération

Deux tiroirs de réfrigération offrent plus d'options de rangement dans la cuisine ou dans les autres pièces de la maison.



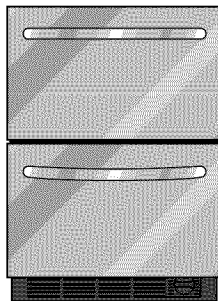
Série d'euro
JUD248RCRS



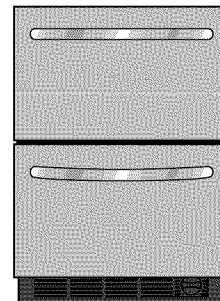
Panneaux décoratifs - panneaux personnalisés et poignées
nécessaires
JUD248RCCX

Tiroirs de réfrigération/congélation (avec machine à glaçons et filtre à eau)

Un tiroir de réfrigération supérieur et un tiroir de congélation inférieur offrent plus d'options de rangement dans la cuisine ou dans les autres pièces de la maison. La machine à glaçons installée à l'usine dans le tiroir inférieur représente une source de distribution de glaçons à portée de main et disponible en tout temps.



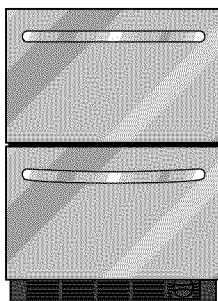
Série d'euro
JUD248CCRS



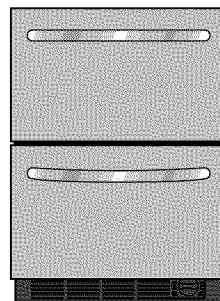
Panneaux décoratifs - panneaux personnalisés et poignées
nécessaires
JUD248CCCX

Double tiroir de congélation (avec machine à glaçons et filtre à eau)

Deux tiroirs de congélation offrent plus d'options de rangement dans la cuisine ou dans les autres pièces de la maison. La machine à glaçons installée à l'usine dans le tiroir inférieur représente une source de distribution de glaçons à portée de main et disponible en tout temps.



Série d'euro
JUD248FCRS



Panneaux décoratifs - panneaux personnalisés et poignées
nécessaires
JUD248FCCX

EXIGENCES D'INSTALLATION

Outillage et pièces

OUTILLAGE NÉCESSAIRE :

Rassembler les outils et pièces nécessaires avant de commencer l'installation.

Lire et suivre les instructions fournies avec les outils mentionnés ici.

- Perceuse sans fil
- Foret de 1/8"
- Mètre ruban
- Niveau
- Tournevis Phillips

Outils additionnels nécessaires pour Style 2 : Décoratif (seulement) :

- Ciseaux
- Crayon
- Pointe à tracer

PIÈCES NÉCESSAIRES Style 2 : Décoratif (seulement) :

- Panneaux décoratifs de tiroir personnalisés – Voir “Style 2 : Panneaux décoratifs de tiroir personnalisés”.
- Quincaillerie

PIÈCES FOURNIES :

- Crochets (8)
- Plats de recouvrement (4)
- Vis (16)

Exigences d'emplacement

⚠ AVERTISSEMENT



Risque d'explosion

Garder les matières et les vapeurs inflammables, telle que l'essence, loin du/des tiroir(s) réfrigéré(s).

Le non-respect de cette instruction peut causer un décès, une explosion ou un incendie.

REMARQUES :

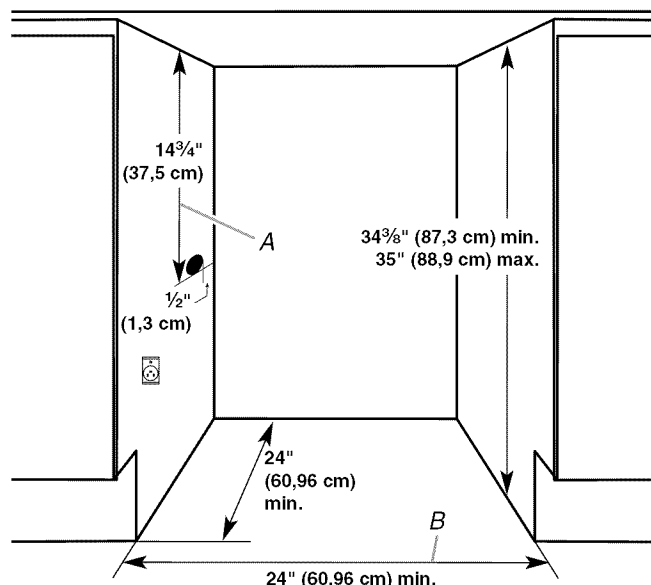
- Lorsqu'on souhaite placer les tiroirs réfrigérés en affleurement avec la façade des placards inférieurs, enlever toutes les moulures et plinthes à l'arrière de l'ouverture. Voir “Dimensions du produit” et “Dimensions de l'ouverture (pour les deux styles)” plus loin dans cette section.
- On recommande de ne pas installer les tiroirs réfrigérés près d'un four, d'un radiateur ou de toute autre source de chaleur.
- Ne pas installer les tiroirs réfrigérés en un endroit où la température pourrait descendre en-dessous de 55°F (13°C).

Dimensions de l'ouverture (pour les deux styles)

- Les dimensions de hauteur sont illustrées avec les pieds de nivellement déployés à la hauteur minimum de 1/4" (6,35 mm) sous les tiroirs réfrigérés.

REMARQUE : Lorsque les pieds de nivellement sont totalement déployés de 1" (25 mm) au-dessous des tiroirs réfrigérés, ajouter 3/4" (19,05 mm) à la hauteur totale. Voir “Dimensions du produit”.

- Si le plancher de l'ouverture n'est pas au même niveau que le plancher de la cuisine, placer une cale dans l'ouverture pour qu'elle soit au même niveau que le plancher de la cuisine.



Dimensions critiques :

- A. Trou pour cordon d'alimentation - 14 3/4" (37,5 cm)
- B. Largeur de l'ouverture - 24" (60,96 cm) min.

Spécifications électriques

⚠ AVERTISSEMENT



Risque de choc électrique

Brancher sur une prise à 3 alvéoles reliée à la terre.

Ne pas enlever la broche de liaison à la terre.

Ne pas utiliser un adaptateur.

Ne pas utiliser un câble de rallonge.

Le non-respect de ces instructions peut causer un décès, un incendie ou un choc électrique.

Avant de placer les tiroirs réfrigérés à leur emplacement final, il est important de vous assurer d'avoir la connexion électrique appropriée.

Méthode recommandée de mise à la terre

Une source d'alimentation de 115 volts, 60 Hz, type 15 ou 20 ampères CA seulement, protégée par fusible et adéquatement mise à la terre est nécessaire. On recommande que les tiroirs réfrigérés soient alimentés par un circuit indépendant. Utiliser une prise murale qui ne peut pas être mise hors circuit à l'aide d'un commutateur. Ne pas utiliser de câble de rallonge.

IMPORTANT : Si ce produit est connecté à une prise protégée par un disjoncteur de fuite à la terre, un déclenchement intempestif peut se produire et causer une perte de refroidissement. La qualité et la saveur des aliments risquent d'être affectées. Si un déclenchement intempestif se produit et si les aliments semblent de piètre qualité, jeter le tout.

Spécifications de l'alimentation en eau

Rassembler les outils et pièces nécessaires avant de commencer l'installation. Lire et suivre les instructions fournies avec les outils indiqués ici.

IMPORTANT :

- Si on doit utiliser le réfrigérateur avant qu'il soit raccordé à la canalisation d'eau, placer la commande de la machine à glaçons à la position OFF (arrêt).
- Toutes les installations doivent être conformes aux exigences des codes locaux de plomberie.
- Utiliser un tube en cuivre et vérifier s'il y a des fuites. Installer les tubes en cuivre seulement à des endroits où la température se maintient au-dessus du point de congélation.

OUTILLAGE NÉCESSAIRE : Tournevis à lame plate, clés plates de $\frac{7}{16}$ " et $\frac{1}{2}$ " ou 2 clés à molette réglables, tourne-écrou et foret de $\frac{1}{4}$ ", perceuse sans fil.

REMARQUE : Votre marchand de réfrigérateurs propose une trousse disponible avec un robinet d'arrêt à étrier de $\frac{1}{4}$ " (6,35 mm), un raccord et un tube en cuivre. Avant l'achat, s'assurer que le robinet d'arrêt à étrier est conforme à vos codes locaux de plomberie. Ne pas employer de robinet d'arrêt à étrier de $\frac{3}{16}$ " (4,76 mm) ou de type à percer, ce qui réduit le débit d'eau et cause une obstruction plus facilement.

Pression de l'eau

Une alimentation en eau froide avec une pression entre 30 et 120 lb/po² (207 et 827 kPa) est nécessaire pour faire fonctionner la machine à glaçons. Si vous avez des questions au sujet de la pression de votre eau, faire appel à un plombier qualifié agréé.

Alimentation en eau par osmose inverse

IMPORTANT : La pression de l'alimentation en eau entre le système d'osmose inverse et la valve d'arrivée d'eau du réfrigérateur doit être entre 30 et 120 lb/po² (207 et 827 kPa).

Si un système de purification de l'eau par osmose inverse est raccordé à votre alimentation en eau froide, la pression de l'eau au système doit être d'un minimum de 40 à 60 lb/po² (276 à 414 kPa).

Si la pression de l'eau au système d'osmose inverse est inférieure à 40 à 60 lb/po² (276 à 414 kPa) :

- Vérifier pour voir si le filtre à sédiments du système d'osmose inverse est bloqué et le remplacer si nécessaire.
- Laisser le réservoir du système d'osmose inverse se remplir après une utilisation intense.

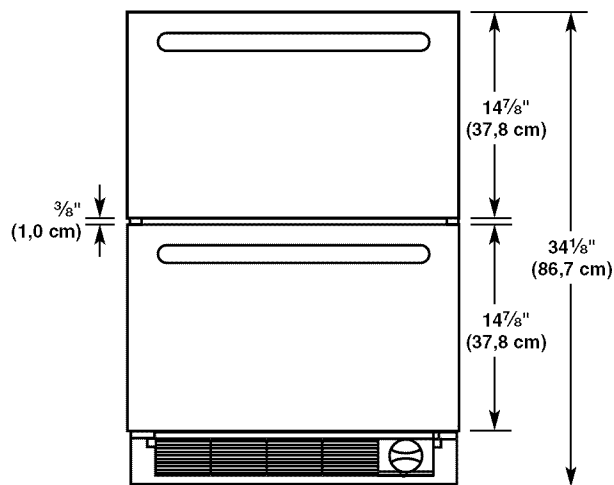
Si vous avez des questions au sujet de la pression de votre eau, appeler un plombier qualifié agréé.

Dimensions du produit

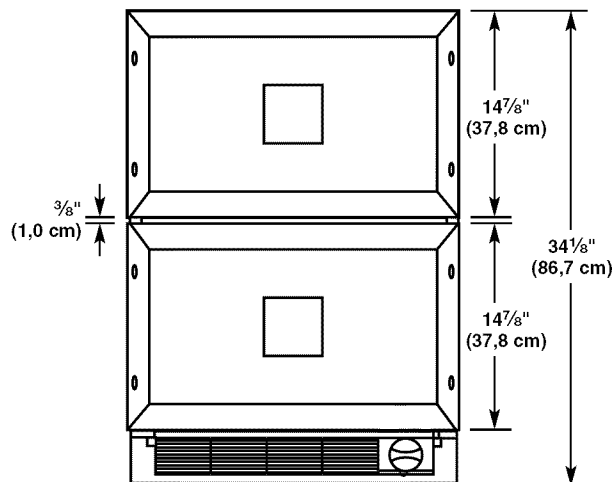
Styles 1 et 2 : Série d'euro et décoratif

- Les dimensions de hauteur sont illustrées avec les pieds de nivellement déployés à $\frac{1}{4}$ " (6,35 mm) sous les tiroirs réfrigérés.
- Lorsque les pieds de nivellement sont totalement déployés de 1" (25 mm) sous les tiroirs réfrigérés, ajouter $\frac{3}{4}$ " (19,05 mm) à la hauteur totale.
- La longueur du cordon d'alimentation est de 60" (152,4 cm).

Style 1 : Série d'euro



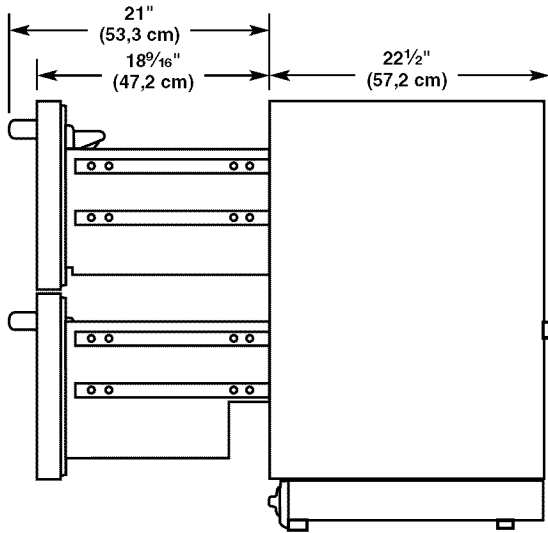
Style 2 : Panneaux décoratifs



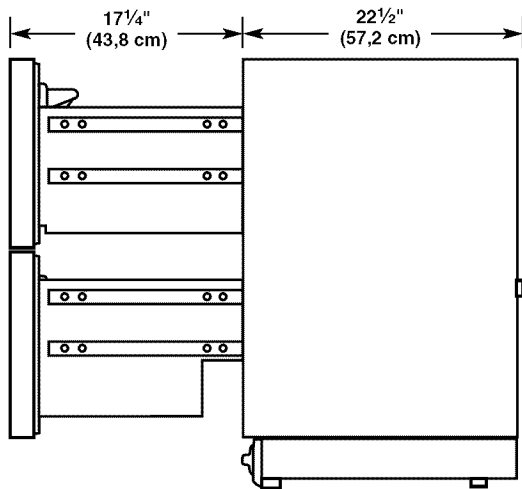
Dimensions avec tiroir ouvert

Les dimensions varient en fonction du modèle - voir l'illustration.

Style 1 : Série d'euro

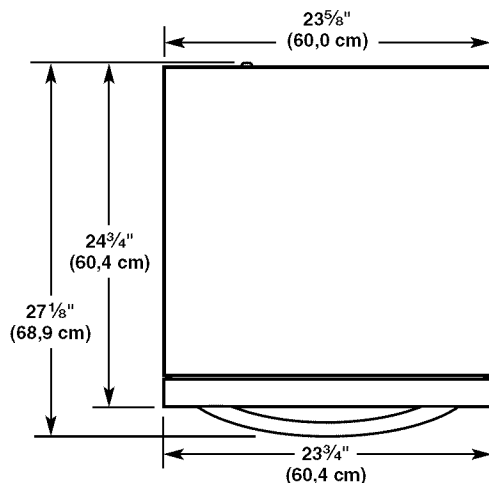


Style 2 : Panneaux décoratifs

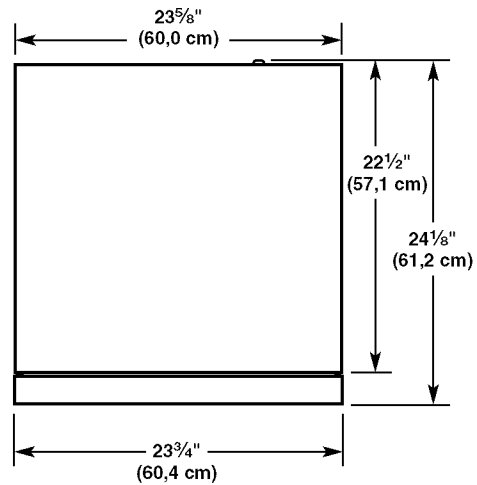


Dimensions de largeur de tiroir

Style 1 : Série d'euro



Style 2 : Panneaux décoratifs



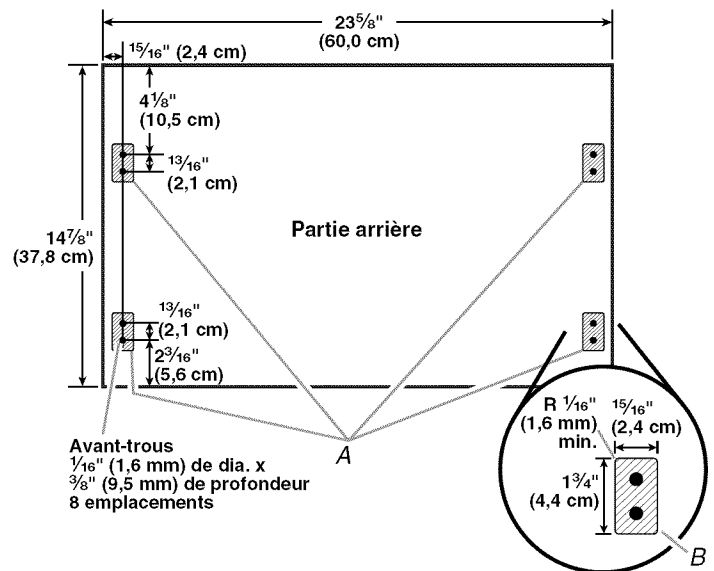
Style 2 : Panneaux décoratifs de tiroirs personnalisés

Si vous prévoyez installer des panneaux personnalisés en bois, vous devrez les créer vous-même ou consulter un ébéniste ou menuisier qualifié. Voir les dessins des dimensions pour les spécifications des panneaux.

IMPORTANT :

- L'épaisseur des panneaux décoratifs doit être de $\frac{3}{4}$ " (19,05 mm).
- Pour éviter tout dommage aux tiroirs, le poids de chaque panneau décoratif ne doit pas dépasser 10 lb (4,5 kg).
- Respecter les dimensions indiquées pour la hauteur des panneaux décoratifs. Si la dimension de la hauteur est supérieure à la valeur recommandée, les tiroirs réfrigérés, les placards et/ou le plan de travail pourraient subir des dommages.
- La largeur des panneaux décoratifs peut varier en fonction de la largeur de l'espace d'installation de la caisse.

Dimensions du panneau décoratif du tiroir supérieur y inférieur



A. Endroits de crochet de recouvrement
B. Itinéraire à $\frac{1}{8}$ " de profondeur

INSTRUCTIONS D'INSTALLATION

Déballage des tiroirs réfrigérés

⚠ AVERTISSEMENT

Risque du poids excessif

Utiliser deux ou plus de personnes pour déplacer et installer le(s) tiroir(s) réfrigéré(s).

Le non-respect de cette instruction peut causer une blessure au dos ou d'autre blessure.

Enlèvement des matériaux d'emballage

Jeter le matériel d'emballage de manière appropriée. Ne pas utiliser d'instruments coupants, d'alcool à friction, de liquides inflammables ou de nettoyants abrasifs pour enlever le ruban adhésif ou la colle. Ces produits peuvent endommager la surface de vos tiroirs réfrigérés.

Déplacement des tiroirs réfrigérés :

Vos tiroirs réfrigérés sont lourds. Lors du déplacement de l'appareil pour le service, veiller à recouvrir le plancher avec du carton ou un panneau de fibres dures pour éviter qu'il ne subisse tout dommage. Toujours tirer l'appareil tout droit lors du déplacement. Ne pas incliner l'appareil d'un côté ou de l'autre ni le "faire marcher" en essayant de le déplacer car le plancher pourrait être endommagé.

Nettoyage avant utilisation

Après avoir enlevé tous les matériaux d'emballage, nettoyer l'intérieur des tiroirs réfrigérés avant de les utiliser. Voir les instructions de nettoyage dans le Guide d'utilisation et d'entretien.

Raccordement de l'alimentation en eau (sur les tiroirs de réfrigération/congélation et double tiroir de congélation uniquement)

Raccordement à une canalisation d'eau

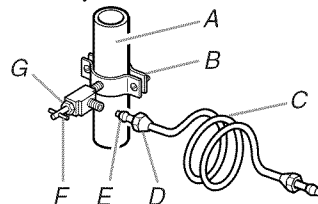
1. Débrancher le réfrigérateur ou déconnecter la source de courant électrique.
2. FERMER le robinet principal d'arrivée d'eau. OUVRIR le robinet de puisage le plus proche pendant une période suffisante pour que la canalisation d'eau se vide.
3. Trouver une canalisation d'eau froide verticale de 1/2" à 1/4" (1,25 cm à 3,18 cm) près du réfrigérateur.

IMPORTANT :

- Assurez-vous qu'il s'agit d'un conduit d'eau froide.
 - Un conduit horizontal fonctionnera, mais percer par le dessus de la canalisation et non pas par le dessous. Ainsi, l'eau ne risquera pas d'arroser la perceuse. Ceci empêche également les sédiments qu'on trouve normalement dans l'eau de s'accumuler dans le robinet d'arrêt.
4. Pour déterminer la longueur du tube en cuivre, il faut mesurer la distance entre le point de connexion inférieur gauche à l'arrière du réfrigérateur et le tuyau d'arrivée d'eau. Ajouter une longueur de 7 pi (2,1 m) pour permettre le déplacement du réfrigérateur pour le nettoyage. Utiliser un tube en cuivre

de 1/4" (6,35 mm) de diamètre extérieur. Veiller à ce que le tube soit coupé d'équerre aux deux extrémités.

5. À l'aide d'une perceuse électrique reliée à la terre, percer un trou de 1/4" dans le tuyau de canalisation d'eau froide choisi.

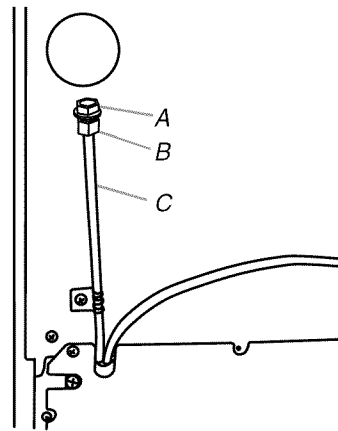


A. Canalisation d'eau froide
B. Bride de tuyau
C. Tube en cuivre
D. Écrou de compression
E. Bague de compression
F. Robinet d'arrêt
G. Écrou de serrage

6. Fixer le robinet d'arrêt sur la canalisation d'eau froide avec la bride de tuyau. Vérifier que le raccord du robinet est bien engagé dans le trou de 1/4" percé dans la canalisation et que la rondelle d'étanchéité est placée sous la bride de tuyau. Serrer l'écrou de serrage. Serrer lentement et uniformément les vis de la bride de tuyau afin que la rondelle forme une jonction étanche. Ne pas serrer excessivement car ceci pourrait provoquer l'écrasement du tube en cuivre.
7. Enfiler l'écrou et la bague de compression du raccord sur le tube en cuivre comme on le voit sur l'illustration. Insérer l'extrémité du tube à angle droit et aussi loin que possible dans l'ouverture de sortie du robinet. Visser l'écrou de compression sur le raccord de sortie avec une clé à molette. Ne pas serrer excessivement.
8. Placer le bout libre du tube dans un contenant ou évier et OUVRIR le robinet principal d'arrivée d'eau et laisser l'eau s'écouler par le tube jusqu'à ce que l'eau soit limpide. FERMER le robinet principal d'arrivée d'eau. Enrouler le tube en cuivre en spirale.

Raccordement au réfrigérateur

1. Connecter le tube en cuivre au robinet d'eau en utilisant un écrou et une bague de compression tel qu'illustré. Serrer l'écrou de compression. Ne pas serrer excessivement. Utiliser la bride du tube à l'arrière du réfrigérateur pour fixer le tube au réfrigérateur tel qu'illustré. Ceci aide à éviter d'endommager le tube lorsque le réfrigérateur est poussé contre le mur.
2. OUVRIR le robinet d'arrêt.
3. Inspecter pour rechercher les fuites. Serrer tous les raccords (y compris les raccords de la valve d'entrée d'eau) ou les écrous qui coulent.



A. Prise
B. Écrou de compression
C. Tube en Pex

- La machine à glaçons est équipée d'un filtre à eau incorporé. Si la qualité de l'eau distribuée localement nécessite un deuxième filtre à eau, l'installer dans le tube de raccordement de 1/4" (6,35 mm). On peut obtenir un tel filtre à eau chez le marchand d'appareils électroménagers le plus proche.
- Brancher le réfrigérateur ou reconnecter la source de courant électrique.

Déplacement des tiroirs réfrigérés à leur emplacement final

- Placer le sommet de l'emballage (carton) ou une feuille de contreplaqué sous l'appareil. Enlever le chariot.
- Ne pas ôter le film ou l'emballage.

⚠ AVERTISSEMENT



Risque de choc électrique

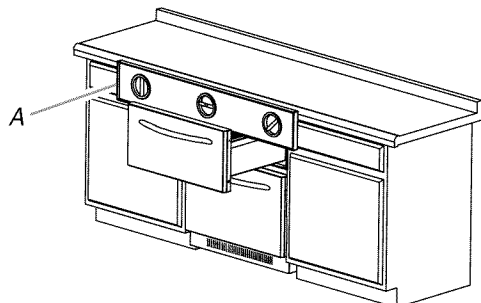
- Brancher sur une prise à 3 alvéoles reliée à la terre.
- Ne pas enlever la broche de liaison à la terre.
- Ne pas utiliser un adaptateur.
- Ne pas utiliser un câble de rallonge.
- Le non-respect de ces instructions peut causer un décès, un incendie ou un choc électrique.

- Brancher l'appareil sur une prise à 3 alvéoles reliée à la terre.
- Pousser les tiroirs réfrigérés en ligne droite et uniformément devant l'espace d'installation.

Réglage de l'aplomb des tiroirs réfrigérés

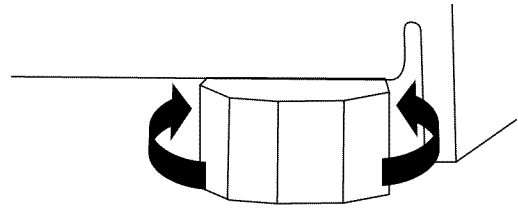
IMPORTANT :

- Style 2-Décoratif : S'assurer d'installer les panneaux décoratifs de tiroir personnalisés avant de régler l'aplomb des tiroirs réfrigérés pour le modèle décoratif. Voir "Style 2 : Installation des panneaux décoratifs de tiroir personnalisés".
 - Vérifier que le plan de travail est d'aplomb avant d'installer les tiroirs réfrigérés.
 - Si le countertop n'est pas de niveau, ajustez les pieds de nivellement des tiroirs de réfrigérateur jusqu'à ce que l'appareil soit à angle droit avec le countertop. Veiller à conserver un espace minimum de 3/8" (9,5 mm) entre la partie supérieure du tiroir et le plan de travail.
- Ouvrir le tiroir supérieur; placer un niveau en travers du tiroir supérieur - voir l'illustration. Déterminer s'il y a une inclinaison vers la droite ou vers la gauche.

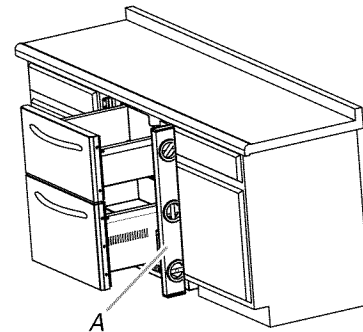


A. Contrôle de l'aplomb de l'appareil (gauche-droite)

- Tournez les pieds de nivellement (avant et dos) jusqu'à ce que le tiroir de dessus mesure de niveau de gauche à droite.



- Enlever le niveau et fermer le tiroir supérieur. Contrôler l'espace entre le sommet du tiroir et le plan de travail. Si l'espace mesure moins de 3/8" (9,5 mm), tourner uniformément les quatre boulons de réglage de l'aplomb vers la gauche pour relever les pieds de nivellement (ce qui abaissera l'appareil) et contrôler l'aplomb de nouveau.
- Ouvrir les deux tiroirs, de moins de 50 pour cent. Placer le niveau contre le bord latéral des tiroirs - voir l'illustration. Tourner les boulons de réglage de l'aplomb ensemble afin de relever ou d'abaisser l'appareil jusqu'à ce que les côtés des tiroirs réfrigérés soient d'aplomb.



A. Contrôle de l'aplomb (avant-arrière)

- Enlever le niveau et fermer les tiroirs. Contrôler de nouveau l'espace entre le sommet du tiroir et le plan de travail. Si l'espace mesure moins de 3/8" (9,5 mm), tourner uniformément les quatre boulons de réglage de l'aplomb pour relever les pieds de nivellement (ce qui abaissera l'appareil) et contrôler l'aplomb de nouveau.
- REMARQUE :** Ne pas oublier de contrôler de nouveau l'horizontalité du tiroir supérieur.
- Vérifier que les quatre pieds de nivellement reposent sur le sol et soutiennent tout le poids des tiroirs réfrigérés.

Installation du panneau décoratif personnalisé

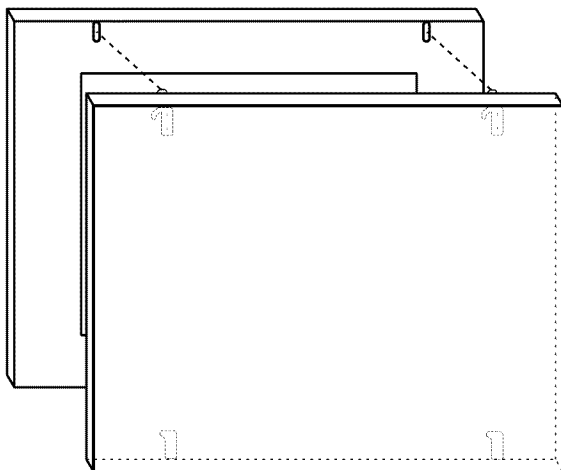
IMPORTANT :

- Réaliser le panneau décoratif personnalisé selon les spécifications de la section "Panneau décoratif personnalisé".
- Jenn-Air n'est pas responsable des opérations d'enlèvement et de réinstallation des moulures ou panneaux décoratifs qui entraveraient l'accès au réfrigérateur lors d'une intervention de réparation.

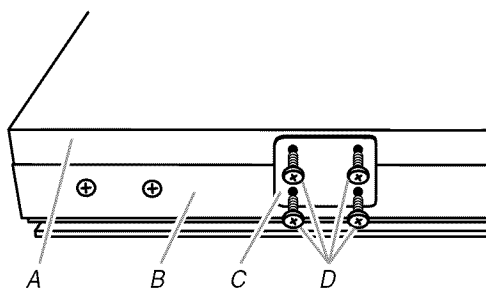
Fixation du panneau décoratif

REMARQUE : Si les crochets pour panneau décoratif ne sont pas installés, voir "Panneau décoratif personnalisé" pour l'emplacement des crochets.

1. Placer le panneau décoratif à ½" (1,27 cm) au-dessus de la porte. Veiller à positionner les crochets sur les avant-trous.



2. Insérer les crochets dans la partie supérieure des trous dans la porte. Pousser contre le panneau décoratif pour enfoncer les crochets plus profondément dans la porte. Tirer le panneau décoratif tout droit vers le bas pour immobiliser les crochets dans la porte.
3. À l'aide d'un tournevis Phillips, fixer les plaques décoratives sur la partie inférieure du panneau décoratif et de la porte - voir l'illustration.



A. Panneau décoratif
 B. Porte
 C. Plaques décoratives (2)
 D. Vis à tête ronde (8)

Système de filtration de l'eau

Ne pas utiliser pour le filtrage d'une eau microbiologiquement polluée ou de qualité inconnue en l'absence d'un dispositif de désinfection adéquat avant ou après le système.

Témoin lumineux de l'état du filtre à eau (sur certains modèles)

Le témoin lumineux de l'état du filtre à eau vous aidera à savoir quand changer le filtre à eau. Le témoin lumineux passera de foncé à jaune. Ceci indique qu'il est presque temps de changer le filtre. Il est recommandé de remplacer le filtre à eau lorsque le témoin lumineux de l'état du filtre à eau passe au rouge OU lorsque le débit d'eau à la machine à glaçons diminue de façon marquée. Le filtre doit être remplacé au moins tous les 6 mois selon la qualité de l'eau et l'utilisation.

Après avoir changé le filtre à eau, régler de nouveau le témoin lumineux de l'état du filtre à eau. Le témoin lumineux de l'état du filtre passera du rouge à foncé dès que le système sera réinitialisé.

Utilisation de la machine à glaçons sans filtre à eau

Il est possible de faire fonctionner la machine à glaçons sans utiliser de filtre à eau. L'eau ne sera pas filtrée.

1. Enlever le filtre à eau.
2. Faire glisser le couvercle de l'extrémité du filtre et le placer dans la grille de la base.

IMPORTANT : Ne pas jeter le couvercle. Il fait partie de votre réfrigérateur. Conserver le couvercle pour l'utiliser avec le filtre de rechange.

Achever l'installation

1. Retirer boîtes, composants et matériaux d'emballage de l'intérieur des tiroirs réfrigérés.
2. Retirer le film.
3. Nettoyer les tiroirs réfrigérés avant utilisation.
4. Les commandes sont pré-réglées à l'usine aux réglages recommandés. S'assurer que le compresseur fonctionne bien et que toutes les lampes s'allument.
5. Si les travaux doivent se poursuivre après l'installation des tiroirs réfrigérés, fermer l'alimentation électrique pour les deux tiroirs.

Pour obtenir l'utilisation la plus efficace de vos nouveaux tiroirs de réfrigérateur, lisez la section "d'utilisation de tiroirs de réfrigérateur".

AVANT L'UTILISATION

Enlèvement des matériaux d'emballage

- Enlever tout résidu de ruban adhésif et de colle des surfaces avant de mettre en marche les tiroirs réfrigérés. Frotter une petite quantité de savon liquide à vaisselle sur le résidu de colle avec les doigts. Rincer à l'eau tiède et sécher.
- Ne pas utiliser d'instruments coupants, d'alcool à friction, de liquides inflammables ou de nettoyants abrasifs pour enlever le ruban adhésif ou la colle. Ces produits peuvent endommager la surface de vos tiroirs réfrigérés. Pour plus de renseignements, voir "Sécurité des tiroirs réfrigérés".

Nettoyage avant utilisation

Après avoir enlevé tous les matériaux d'emballage, nettoyer l'intérieur des tiroirs réfrigérés avant de les utiliser. Voir les instructions de nettoyage dans "Entretien des tiroirs réfrigérés".

UTILISATION DES TIROIRS RÉFRIGÉRÉS

⚠ AVERTISSEMENT



Risque de choc électrique

Brancher sur une prise à 3 alvéoles reliée à la terre.

Ne pas enlever la broche de liaison à la terre.

Ne pas utiliser un adaptateur.

Ne pas utiliser un câble de rallonge.

Le non-respect de ces instructions peut causer un décès, un incendie ou un choc électrique.

Sons normaux

Il est possible que les tiroirs réfrigérés neufs émettent des bruits que l'appareil précédent ne produisait pas. Comme ces sons sont nouveaux, ils peuvent vous inquiéter. La plupart de ces nouveaux sons sont normaux. Les sons peuvent vous sembler plus forts avec des surfaces dures comme le sol, les murs et les armoires. Les descriptions suivantes indiquent les genres de sons et leur cause possible.

- Vos tiroirs réfrigérés sont conçus pour fonctionner de manière plus efficace afin de conserver vos aliments aux températures désirées et de minimiser la consommation d'énergie. Le compresseur et les ventilateurs à haute efficacité peuvent faire fonctionner vos tiroirs réfrigérés plus longtemps que l'ancien appareil. Il se peut également que vous entendiez un bruit saccadé ou aigu provenant du compresseur ou des ventilateurs qui s'ajustent pour optimiser la performance.
- Vous pouvez entendre le moteur du ventilateur de l'évaporateur qui fait circuler l'air à travers les compartiments des tiroirs réfrigérés. La vitesse du ventilateur peut augmenter si les tiroirs sont ouverts ou si vous ajoutez des aliments chauds.
- À la fin de chaque programme, vous pouvez entendre un gargouillement attribuable au réfrigérant qui s'écoule dans le tube du système scellé.
- La contraction et l'expansion des parois internes peuvent produire un bruit sec.
- Il est possible que vous entendiez de l'air qui est transmis au condenseur par le ventilateur du condenseur.
- Il est possible que vous entendiez l'écoulement de l'eau dans le plateau de dégivrage pendant le programme OFF (arrêt).

Pour assurer une circulation d'air correcte

Pour garantir des températures appropriées, il est nécessaire de permettre la circulation de l'air à l'intérieur des tiroirs.

Ne pas bloquer les ouvertures d'aération. Si les ouvertures d'aération sont bloquées, le courant d'air est obstrué et des problèmes de température et d'humidité peuvent survenir.

IMPORTANT : Pour éviter le transfert d'odeurs et l'assèchement des aliments, envelopper ou recouvrir hermétiquement les aliments.

Utilisation des commandes

Les tableaux de commande des deux tiroirs de réfrigération sont situés dans le tiroir supérieur. Pour visualiser et régler le tableau de commande supérieur et inférieur, retirer le tiroir supérieur.

IMPORTANT :

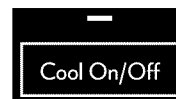
- Attendre 24 heures après avoir mis en marche les tiroirs de réfrigération avant d'y ajouter des aliments. Si on ajoute des aliments avant que les tiroirs aient complètement refroidi, les aliments risquent de se gâter.

REMARQUE : Le réglage des commandes à un réglage inférieur (plus froid) dans l'un des tiroirs ou dans les deux ne les refroidira pas plus rapidement.

- Si la température est trop tiède ou trop froide dans les tiroirs, inspecter d'abord les événements pour s'assurer qu'ils ne sont pas bloqués, avant de régler les commandes.
- Les pré-réglages devraient être corrects pour une utilisation domestique normale. La commande du réfrigérateur est réglée correctement lorsque le lait ou le jus est à la température souhaitée.
- La commande du congélateur est réglée correctement lorsque la crème glacée est ferme.
- La température réelle peut être différente de celle affichée lorsqu'un tiroir est laissé ouvert pendant une période prolongée.

Activation/désactivation des tiroirs

- Appuyer sur Cooling On (refroidissement activé) pendant 3 secondes pour activer les tiroirs. Le témoin lumineux s'allume.



- Appuyer sur Cooling On (refroidissement activé) pendant 3 secondes pour désactiver les tiroirs réfrigérés.

Visualisation de la température en degrés Celsius

- Appuyer sur la touche tactile °C pour passer d'un affichage de la température en degrés Fahrenheit à un affichage en degrés Celsius. Le témoin lumineux s'allume.



- Pour afficher à nouveau les degrés Fahrenheit, appuyer à nouveau sur la touche tactile °C.

Régler aux températures recommandées

- Appuyer sur la touche tactile Set (réglage) pour régler les points de réglage aux températures recommandées par l'usine.



- Le réglage de température recommandé pour le tiroir de réfrigération est de 37°F (3°C). Le réglage de température recommandé pour le tiroir de congélation est de 0°F (-18°C).

Ajustement des points de réglage de température

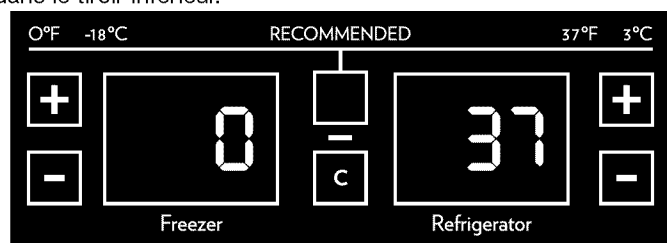
Style 1 : Double tiroir de réfrigération

La commande du réfrigérateur règle la température à la fois dans le tiroir supérieur et dans le tiroir inférieur.



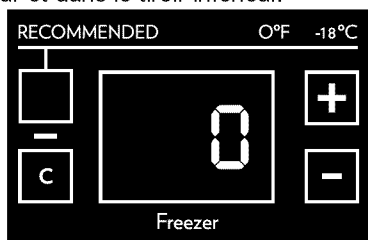
Style 2 : Tiroirs de réfrigération/congélation

La commande du réfrigérateur règle la température dans le tiroir supérieur. La commande du congélateur règle la température dans le tiroir inférieur.



Style 3 : Double tiroir de congélation

La commande de réfrigération règle la température à la fois dans le tiroir supérieur et dans le tiroir inférieur.



IMPORTANT : Attendre au moins 24 heures entre chaque ajustement. Vérifier à nouveau les températures avant de procéder à d'autres ajustements.

Ajustement des points de réglage de la température :

- Appuyer sur la touche tactile PLUS (+) ou MOINS (-) du réfrigérateur ou du congélateur jusqu'à ce que le réglage de température désiré soit atteint.

REMARQUE : La gamme des valeurs de réglage pour le tiroir de réfrigération est comprise entre 34°F (1°C) et 45°F (7°C). La gamme des valeurs de réglage pour le tiroir de congélation est comprise entre -5°F et 5°F (-20,5°C et -15°C).

Max Cool (refroidissement maximal) ou Max Freeze (congélation maximale)



La caractéristique Max Cool (refroidissement maximal) ou Max Freeze (congélation maximale) est utile lors de périodes d'utilisation intensive de l'appareil, d'ajout d'une grande quantité de provisions ou de l'élévation temporaire de la température de la pièce.

Style 1 : Double tiroir de réfrigération

Max Cool (refroidissement maximal) réinitialise la température des deux tiroirs et la place au réglage le plus froid de 34°F (0,5°C) pendant 24 heures.

Style 2 : Tiroirs de réfrigération/congélation

Max Cool (refroidissement maximal) réinitialise la température des deux tiroirs et la place au réglage le plus froid de 34°F (0,5°C) dans le tiroir de réfrigération et au réglage de -5°F (-20,5°C) dans le tiroir de congélation pendant 24 heures.

Style 3 : Double tiroir de congélation

Max Freeze (congélation maximale) réinitialise la température des deux tiroirs et la place au réglage le plus froid de -5°F (-20,5°C) pendant 24 heures.

REMARQUE : L'afficheur de température reste au(x) réglage(s) le(s) plus froid(s) et le témoin lumineux reste allumé pendant 24 heures. Après 24 heures, le tiroir revient au point de réglage de température précédent et le témoin lumineux s'éteint.

Sabbath Mode (mode sabbat)

Le Sabbath Mode (mode sabbat) est conçu pour les personnes qui partent en voyage ou pour les celles dont les pratiques religieuses requièrent l'extinction des lumières. En sélectionnant cette caractéristique, les points de réglage de température restent inchangés et les lampes intérieures s'éteignent. Pour un fonctionnement optimal des tiroirs de réfrigération, il est recommandé de quitter le Sabbath Mode (mode sabbat) lorsque celui-ci n'est plus nécessaire.

- Appuyer sur la touche tactile Sabbath Mode (mode sabbat) pendant 3 secondes pour activer cette caractéristique. Le témoin lumineux s'allume.



- Appuyer sur la touche tactile Sabbath Mode (mode sabbat) pendant 3 secondes pour désactiver cette caractéristique.

Verrouillage des commandes

Il est possible de verrouiller le tableau de commande pour éviter la programmation involontaire de changements de températures par les jeunes enfants ou lors du nettoyage.

- Appuyer sur la touche tactile Control Lock (verrouillage des commandes) pendant 3 secondes pour activer cette caractéristique. Le témoin lumineux s'allume.



- Pour désactiver cette caractéristique, appuyer sur Control Lock (verrouillage des commandes) pendant 3 secondes.

REMARQUE : Lorsque le verrouillage des commandes est activé, les touches tactiles du tableau de commande ne fonctionnent pas. Toute tentative de modification des réglages entraînera l'émission d'un bip pour indiquer que le tableau de commande est verrouillé.

Drawer Open/Alarm Reset (tiroir ouvert/réinitialisation de l'alarme)

L'alarme de tiroir ouvert retentit et le témoin lumineux de réinitialisation de l'alarme Alarm Reset s'allume lorsqu'un tiroir a été ouvert pendant plus de 10 minutes.



Pour désactiver temporairement l'alarme de tiroir ouvert, appuyer sur la touche tactile Alarm Reset (réinitialisation de l'alarme) pendant 3 secondes. Le fait de fermer le tiroir arrête l'alarme sonore et réinitialise la minuterie de 10 minutes.

Machine à glaçons et système de filtration d'eau

(sur les tiroirs de réfrigération/congélation et double tiroir de congélation uniquement)

Mise en marche/arrêt de la machine à glaçons

IMPORTANT : Utiliser la touche tactile Ice On (production de glace activée) sur le tableau de commande pour allumer ou éteindre la machine à glaçons. Ne pas ajuster le bras de commande se trouvant sur la machine à glaçons.

- Appuyer sur la touche tactile Ice On (production de glace activée) pendant 3 secondes pour mettre en marche la machine à glaçons. Le témoin lumineux s'allume.



- Appuyer sur la touche tactile Ice On (production de glace activée) pendant 3 secondes pour éteindre la machine à glaçons.

REMARQUE :

- Prévoir un délai de 24 heures pour la production du premier lot de glaçons. Jeter les trois premiers lots de glaçons produits.
- La qualité des glaçons dépend de la qualité de l'eau fournie à la machine à glaçons. Éviter de brancher la machine à glaçons à un approvisionnement d'eau adoucie. Les produits chimiques adoucisseurs d'eau (tels que le sel) peuvent endommager certaines pièces de la machine à glaçons et entraîner une mauvaise qualité de glaçons. Si une alimentation d'eau adoucie ne peut être évitée, s'assurer que l'adoucisseur d'eau fonctionne bien et qu'il est bien entretenu.
- Ne rien conserver à l'intérieur du bac à glaçons.

Système de filtration d'eau

Ne pas utiliser pour le filtrage d'une eau microbiologiquement polluée ou de qualité inconnue en l'absence d'un dispositif de désinfection adéquat avant ou après le système.

Réinitialisation de l'indicateur de filtre à eau

L'indicateur du filtre à eau vous aidera à savoir quand changer la cartouche du filtre à eau. Le témoin lumineux passe de sombre à jaune lorsque le moment est venu de commander un nouveau filtre. Le témoin lumineux passe ensuite du jaune au rouge lorsque le moment est venu de changer la cartouche du filtre. La cartouche du filtre doit être remplacée au moins tous les 6 mois selon la qualité de l'eau et l'utilisation qui en est faite.

Après avoir changé la cartouche du filtre à eau, réinitialiser le témoin lumineux du filtre à eau.



- Appuyer sur la touche tactile Reset Filter (réinitialisation du filtre) pendant 3 secondes. Le témoin lumineux passe de rouge à sombre.

Remplacement de la cartouche du filtre à eau

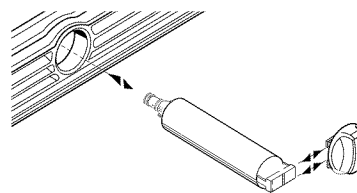
La cartouche du filtre à eau se trouve au travers de la grille de la base. Il n'est pas nécessaire de retirer la grille de la base afin de changer la cartouche du filtre à eau.

1. Repérer le couvercle de la cartouche du filtre à eau dans la grille avant de la base. Tourner le couvercle dans le sens antihoraire jusqu'à ce qu'il soit en position verticale et extraire ensuite le couvercle et la cartouche du filtre de la grille de la base.

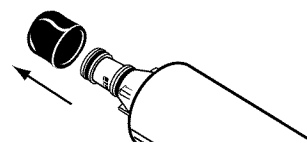
REMARQUE : Il y aura de l'eau dans la cartouche. Il est possible que de l'eau se renverse.

2. Retirer le couvercle de la cartouche en le faisant glisser hors de l'extrémité de l'ancienne cartouche. Le couvercle glissera vers la gauche ou vers la droite.

IMPORTANT : Ne pas jeter le couvercle. Il fait partie de votre réfrigérateur. Conserver le couvercle pour l'utiliser avec le filtre de rechange.

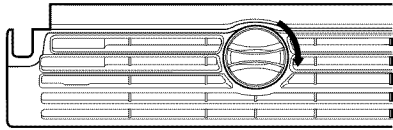


3. Sortir la cartouche neuve de son emballage, puis dégager le couvercle protecteur des anneaux d'étanchéité.



4. Faire glisser le couvercle de la cartouche sur la nouvelle cartouche. Voir l'illustration à l'étape 2.

5. Avec le couvercle de la cartouche en position verticale, insérer la cartouche neuve du filtre dans la grille de la base jusqu'à la butée d'arrêt. Tourner le couvercle de la cartouche dans le sens horaire jusqu'à ce qu'il soit en position horizontale. Purger le circuit d'eau. Voir "Purge du circuit d'eau après remplacement du filtre" plus loin dans cette section.



Utilisation de la machine à glaçons sans filtre à eau

Il est possible de faire fonctionner la machine à glaçons sans utiliser de cartouche de filtre à eau. L'eau ne sera pas filtrée.

1. Faire glisser le couvercle de la cartouche sur l'extrémité de la cartouche du filtre. Avec le couvercle de la cartouche en position verticale, insérer le couvercle dans la grille de la base jusqu'à la butée d'arrêt.

IMPORTANT : Ne pas jeter le couvercle. Il fait partie de votre réfrigérateur. Conserver le couvercle pour l'utiliser avec le filtre de rechange.

ENTRETIEN DES TIROIRS RÉFRIGÉRÉS

Nettoyage

AVERTISSEMENT



Risque d'explosion

Utiliser un produit de nettoyage ininflammable.

Le non-respect de cette instruction peut causer un décès, une explosion ou un incendie.

Les tiroirs dégivrent automatiquement. Toutefois, nettoyer les deux tiroirs environ une fois par mois pour éviter une accumulation d'odeurs. Essuyer les renversements immédiatement.

Pour nettoyer les tiroirs réfrigérés :

1. Laver à la main, rincer et sécher parfaitement les surfaces internes. Utiliser une éponge propre ou un linge doux et un détergent doux dans de l'eau tiède.
 - Ne pas utiliser de nettoyants abrasifs tels que les nettoyants à vitre en atomiseurs, nettoyants à récurer, liquides inflammables, cires nettoyantes, détergents concentrés, eaux de Javel ou nettoyants contenant du pétrole sur les pièces en plastique, les garnitures intérieures et de tiroir ou les joints de tiroir. Ne pas utiliser d'essuie-tout, tampons à récurer ou autres outils de nettoyage abrasifs. Ces produits risquent d'égratigner ou d'endommager les matériaux.
 - Pour aider à éliminer les odeurs, on peut laver les parois intérieures avec un mélange d'eau tiède et de bicarbonate de soude (2 c. à soupe pour 1 pinte [26 g pour 0,95 L] d'eau).
2. Laver les surfaces extérieures en acier inoxydable ou peintes avec une éponge propre ou un linge doux et un détergent doux dans de l'eau tiède. Ne pas utiliser de nettoyants abrasifs ou forts. Sécher parfaitement avec un linge doux. Pour éviter d'endommager des extérieurs peints en métal, appliquez la cire d'appareils (ou la cire automatique de pâte) avec un tissu propre et mou. Ne cirez pas les pièces en plastique.

REMARQUE : Pour que vos tiroirs réfrigérés en acier inoxydable conservent leur aspect neuf et pour enlever les petites égratignures ou marques, il est suggéré d'utiliser le nettoyant et poli pour acier inoxydable approuvé par le fabricant. Pour commander le nettoyant, voir "Accessoires".

IMPORTANT : Ce nettoyant doit être utilisé sur les pièces en acier inoxydable uniquement!

Veiller à ce que le nettoyant et poli pour acier inoxydable n'entre pas en contact avec les pièces de plastique telles que garnitures ou joints de tiroir. En cas de contact accidentel, nettoyer la pièce de plastique avec une éponge et un détergent doux et de l'eau tiède. Sécher parfaitement avec un linge doux.

Pannes de courant

Si le service doit être interrompu pendant 24 heures ou moins, garder les deux tiroirs réfrigérés fermés pour aider les aliments à demeurer froids.

Si le service doit être interrompu pendant plus de 24 heures, faire l'une des choses suivantes :

- Placer tous les aliments périssables dans une glacière ou un casier frigorifique avec de la glace carbonique.
- À défaut de glacière ou de casier frigorifique disponible, consommer les aliments s'ils sont encore froids ou jeter les denrées périssables.

Entretien avant les vacances

Les tiroirs réfrigérés sont équipés de la caractéristique Holiday Mode (Mode vacances). En sélectionnant cette caractéristique, les points de réglage de température restent inchangés et les lampes intérieures s'éteignent. Pour un fonctionnement plus efficace des tiroirs réfrigérés, il est recommandé de sortir du mode vacances lorsque celui-ci n'est plus nécessaire.

Si vous choisissez de laisser les tiroirs réfrigérés en marche pendant votre absence :

1. Consommer tous les aliments périssables et congeler les autres articles.
2. Appuyer sur la touche HOLIDAY MODE (Mode vacances).
3. À votre retour de vacances, appuyer sur HOLIDAY MODE pour revenir au mode de fonctionnement normal.

Si vous choisissez d'arrêter le fonctionnement des tiroirs réfrigérés avant votre départ :

1. Enlever tous les aliments des tiroirs réfrigérés.
2. Régler le tableau de commande des tiroirs supérieur et inférieur à Off (arrêt). Voir "Utilisation des commandes".
3. Nettoyer les tiroirs réfrigérés, les essuyer et bien les sécher.
4. À l'aide d'un ruban adhésif, placer des blocs de caoutchouc ou de bois dans la partie supérieure de chacun des deux tiroirs de façon à ce qu'ils soient suffisamment ouverts pour permettre l'entrée de l'air à l'intérieur. Ceci permet d'éviter l'accumulation d'odeur ou de moisissure.

DÉPANNAGE

Essayer les solutions suggérées ici d'abord afin d'éviter le coût d'une visite de service non nécessaire.

Les tiroirs réfrigérés ne fonctionnent pas

AVERTISSEMENT

Risque de choc électrique

Brancher sur une prise à 3 alvéoles reliée à la terre.

Ne pas enlever la broche de liaison à la terre.

Ne pas utiliser un adaptateur.

Ne pas utiliser un câble de rallonge.

Le non-respect de ces instructions peut causer un décès, un incendie ou un choc électrique.

- **Le cordon d'alimentation est-il débranché?** Brancher l'appareil sur une prise à 3 alvéoles reliée à la terre.
- **Un fusible est-il grillé ou le disjoncteur s'est-il déclenché?** Remplacer le fusible ou réenclencher le disjoncteur. Si le problème persiste, appeler un électricien.
- **La commande des tiroirs réfrigérés est-elle réglée en position Off (arrêt)?** Voir "Utilisation des commandes".
- **Les tiroirs réfrigérés ne refroidissent pas?** Éteindre l'appareil puis le rallumer pour le réinitialiser. Voir "Utilisation des commandes". Si cela ne résout pas le problème, faire un appel de service.

Le moteur semble fonctionner excessivement

- **La température ambiante est-elle plus élevée que d'habitude?** Le moteur fonctionnera plus longtemps dans des conditions de chaleur. À des températures ambiantes normales, prévoir que le moteur fonctionne à peu près 80 % du temps. Dans des conditions de chaleur, il fonctionnera encore plus longtemps.
- **Vient-on d'ajouter une grande quantité d'aliments dans les tiroirs réfrigérés?** Ajouter une grande quantité d'aliments fait réchauffer les tiroirs réfrigérés. Le moteur fonctionnera normalement plus longtemps pour refroidir les tiroirs réfrigérés.
- **Les tiroirs sont-ils fréquemment ouverts?** Le moteur fonctionnera plus longtemps dans ce cas. Conserver l'énergie en sortant tous les articles en une seule fois, en rangeant les aliments de façon organisée et en fermant le tiroir le plus vite possible.
- **Les réglages sont-ils incorrects pour les conditions existantes?** Voir "Utilisation des commandes".
- **Les tiroirs sont-ils fermés complètement?** Fermer les tiroirs fermement. S'ils ne ferment pas complètement, voir "Les tiroirs ne ferment pas complètement" plus loin dans cette section.

- **Les joints du tiroir sont-ils hermétiques sur tout le contour?** Contacter un technicien ou une autre personne qualifiée.

Les tiroirs réfrigérés semblent faire trop de bruit

Les sons peuvent être normaux pour vos tiroirs réfrigérés. Voir "Sons normaux".

La cloison entre les deux compartiments est tiède

La température tiède est probablement attribuable à un fonctionnement normal du réglage automatique de l'humidité de l'extérieur. Si ceci vous inquiète, faire un appel de service.

La température est trop élevée

- **Les ouvertures d'aération sont-elles bloquées dans un compartiment ou l'autre?** Ceci empêche l'air froid de circuler entre les compartiments. Enlever tout objet placé devant les ouvertures d'aération. Voir "Pour assurer une circulation d'air correcte" pour savoir où se trouvent les ouvertures d'aération.
- **Les tiroirs sont-ils ouverts fréquemment?** Les tiroirs réfrigérés se réchaufferont dans ce cas. Garder les tiroirs réfrigérés froids en sortant tous les articles en une seule fois, en rangeant les aliments de façon organisée et en fermant la porte le plus vite possible.
- **Vient-on d'ajouter une grande quantité d'aliments dans les tiroirs réfrigérés?** Ajouter une grande quantité d'aliments fait réchauffer les tiroirs réfrigérés. Plusieurs heures peuvent être nécessaires pour que les tiroirs réfrigérés reviennent à la température normale.
- **Les réglages sont-ils corrects pour les conditions existantes?** Voir "Utilisation des commandes".
- **Les tiroirs réfrigérés ne refroidissent pas?** Éteindre l'appareil puis le rallumer pour le réinitialiser. Voir "Utilisation des commandes". Si cela ne résout pas le problème, faire un appel de service.

Il existe une accumulation d'humidité à l'intérieur

- **Les ouvertures d'aération sont-elles bloquées dans les tiroirs réfrigérés?** Enlever tout objet placé devant les ouvertures d'aération. Voir "Pour assurer une circulation d'air correcte" pour savoir où se trouvent les ouvertures d'aération.
- **Les tiroirs sont-ils ouverts fréquemment?** Éviter l'accumulation d'humidité en sortant tous les articles en une seule fois, en rangeant les aliments de façon organisée et en fermant le tiroir le plus vite possible.
- **La pièce est-elle humide?** Il est normal que de l'humidité s'accumule à l'intérieur des tiroirs réfrigérés lorsque l'air dans la pièce est humide.
- **Les aliments sont-ils bien emballés?** Vérifier que tous les aliments sont bien emballés. Sécher les récipients alimentaires humides avant de les placer dans les tiroirs réfrigérés.
- **Les réglages sont-ils corrects pour les conditions existantes?** Voir "Utilisation des commandes".

Les tiroirs ne ferment pas complètement

- **Les aliments emballés empêchent-ils le tiroir de fermer?**
Réorganiser les contenants de sorte qu'ils soient plus rapprochés et prennent moins d'espace.

Les tiroirs sont difficiles à ouvrir

AVERTISSEMENT



Risque d'explosion

Utiliser un produit de nettoyage ininflammable.

Le non-respect de cette instruction peut causer un décès, une explosion ou un incendie.

- **Les joints sont-ils sales ou collants?** Nettoyer les joints et la surface avec laquelle ils sont en contact. Appliquer une fine couche de paraffine sur les joints après le nettoyage.

ASSISTANCE OU SERVICE

Avant de faire un appel pour assistance ou service, veuillez vérifier "Dépannage". Cette vérification peut vous faire économiser le coût d'une visite de service. Si vous avez encore besoin d'aide, suivre les instructions ci-dessous.

Lors d'un appel, veuillez connaître la date d'achat et les numéros de modèle et de série au complet de votre appareil. Ces renseignements nous aideront à mieux répondre à votre demande.

Si vous avez besoin de pièces de rechange

Si vous avez besoin de commander des pièces de rechange, nous vous recommandons d'utiliser seulement les pièces de rechange spécifiées par l'usine. Les pièces de rechange spécifiées par l'usine fonctionneront bien parce qu'elles sont fabriquées selon les mêmes spécifications précises utilisées pour fabriquer chaque nouvel appareil Jenn-Air®.

Pour savoir où trouver des pièces de rechange spécifiées par l'usine dans votre région, nous appeler ou contacter le centre de service désigné le plus proche.

Aux États-Unis

Téléphoner au Centre pour l'eXpérience de la clientèle de Jenn-Air sans frais au : **1-800-688-1100**.

Nos consultants fournissent de l'assistance pour :

- Caractéristiques et spécifications de notre gamme complète d'appareils ménagers.
- Renseignements d'installation.
- Procédés d'utilisation et d'entretien.
- Vente d'accessoires et de pièces de rechange.
- Assistance spécialisée au client (langue espagnole, malentendants, malvoyants, etc.).

- Les références aux concessionnaires, compagnies de service de réparation et distributeurs de pièces de rechange locaux. Les techniciens de service désignés par Jenn-Air sont formés pour remplir la garantie des produits et fournir un service après garantie partout aux États-Unis.

Pour localiser la compagnie de service désignée par Kitchen Aid dans votre région, vous pouvez également consulter les Pages jaunes.

Pour plus d'assistance

Si vous avez besoin de plus d'assistance, vous pouvez écrire à Jenn-Air en soumettant toute question ou problème à :

Jenn-Air Brand Home Appliances
Centre pour l'eXpérience de la clientèle
553 Benson Road
Benton Harbor, MI 49022-2692

Dans votre correspondance, veuillez indiquer un numéro de téléphone où l'on peut vous joindre dans la journée.

Au Canada

Téléphoner sans frais au Centre l'eXpérience avec la clientèle de Jenn-Air Canada au : **1-800-807-6777**.

Nos consultants fournissent de l'assistance pour :

- Caractéristiques et spécifications de notre gamme complète d'appareils ménagers.
- Procédés d'utilisation et d'entretien.
- Vente d'accessoires et de pièces de rechange.
- Les références aux concessionnaires, compagnies de service de réparation et distributeurs de pièces de rechange locaux. Les techniciens de service désignés par Jenn-Air Canada sont formés pour remplir la garantie des produits et fournir un service après garantie partout au Canada.

Pour plus d'assistance

Si vous avez besoin de plus d'assistance, vous pouvez écrire à Jenn-Air Canada en soumettant toute question ou problème à :

Jenn-Air Brand Home Appliances
Centre pour l'eXpérience de la clientèle
1901 Minnesota Court
Mississauga, Ontario L5N 3A7

Dans votre correspondance, veuillez indiquer un numéro de téléphone où l'on peut vous joindre dans la journée.

Accessoires

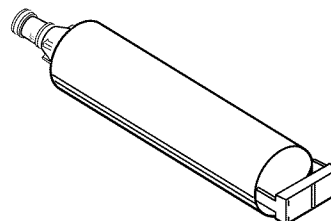
Pour commander des accessoires, composer le **1-800-442-9991** et demander le numéro de pièce approprié ci-dessous ou contacter votre marchand autorisé KitchenAid. Au Canada, composer le **1-800-807-6777**. Filtre bas de l'eau de grill

Filtre bas de l'eau de grill

REMARQUE : Ne pas utiliser pour le filtrage d'une eau microbiologiquement polluée ou de qualité inconnue en l'absence d'un dispositif de désinfection adéquat avant ou après le système.

Filtre de rechange

Pièce #4396702 (L200V/NL120V)



FEUILLES DE DONNÉES SUR LE PRODUIT

Système de filtration d'eau à la grille de la base Modèle WF-L200V Capacité 200 gallons (757 litres) Modèle WF-NL120V Capacité 120 gallons (454 litres)



Produit testé et certifié par NSF International en vertu de la norme ANSI/NSF 42 (réduction du goût et de l'odeur du chlore, et particules (classe III*); et en vertu de la norme ANSI/NSF 53 (réduction de plomb, mercure, benzène, et p-dichlorobenzène).

Ce produit a été testé selon les normes 42 et 53 ANSI/NSF pour la réduction des substances énumérées ci-dessous. La concentration des substances indiquées dans l'eau entrant dans le système a été réduite à une concentration moindre ou égale à la limite permmissible pour l'eau qui quitte le système, tel que spécifié dans 42 et 53 ANSI/NSF.

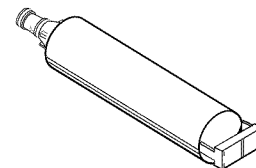
Réd. de substances Effets esthétiques	Critères de réduction NFS	Affluent moyen	Concentration dans l'eau à traiter	Effluent maximal	Effluent moyen	% de réd. minimale	% de réd. moyenne
Goût/odeur de chlore Particules (classe III*)	≥50 % ≥85 %	1,9 mg/L 49 333/mL	2,0 mg/L ± 10 % Au moins 10 000 particules/ mL	0,07 mg/L 640 mg/L**	0,06 mg/L 312 mg/L	>75 % 98,7 %	>75 % 99 %
Réduction de contaminant	Critères de réduction NFS	Affluent moyen	Concentration dans l'eau à traiter	Effluent maximal	Effluent moyen	% de réd. minimale	% de réd. moyenne
Plomb : à pH 6,5 Plomb : à pH 8,5	0,01mg/L 0,01mg/L	0,14 mg/L*** 0,15 mg /L***	0,15 mg/L ± 10% 0,15 mg/L ± 10%	0,0014 mg/L 0,0069 mg/L	0,0011 mg/L 0,0042 mg/L	99,0 % 95,4 %	99,21 % 97,08 %
Mercure : à pH 6,5 Mercure : à pH 8,5	0,002 mg/L 0,002 mg/L	0,0059 mg/L 0,0054 mg /L	0,006 mg/L ± 10% 0,006 mg/L ± 10%	0,0009 mg/L 0,0007 mg/L	0,0004 mg/L 0,00043 mg/L	84,74 % 87,03 %	92,47 % 91,93 %
Benzène	0,0050 mg/L	0,0157 mg/L	0,015 ± 10 %	0,002 mg/L	0,00083 mg/L	87,26 %	94,71 %
p-dichlorobenzène	0,075 mg/L	0,210 mg/L	0,225 ± 10 %	0,0005 mg/L	0,0005 mg/L	99,76 %	99,76 %

Paramètres de test : pH = 7,5 ± 0,5 à moins d'indications contraires. Débit = 0,5 gpm (1,9 Lpm). Pression = 60 lb/po² (413,7 kPa).
Température = 63°F (17,2°C).

- Il est essentiel que les exigences de fonctionnement, d'entretien et de remplacement de filtre soient respectées pour que ce produit donne le rendement annoncé.
- **Modèle WF-L200V** : Le système de contrôle du filtre mesure la quantité d'eau qui passe par le filtre et vous signale quand remplacer le filtre. Lorsque 90 % de la vie nominale du filtre est écoulée, le témoin lumineux du filtre passe du vert au jaune. Lorsque 100 % de la vie nominale du filtre est écoulée, le témoin lumineux du filtre passe du jaune au rouge et il est recommandé de remplacer le filtre. Utiliser la cartouche de remplacement L200V / NL120V, pièce N° 4396702. Prix au détail suggéré 2004 de 32,99 \$US/49,99 \$CAN. Les prix sont sujets à des changements sans préavis.
- **Modèle WF-NL120V** : Changer la cartouche du filtre à eau tous les 6 à 9 mois. Utiliser la cartouche de remplacement L200V / NL120V, pièce N° 4396702. Prix au détail suggéré 2004 de 32,99 \$US/49,99 \$CAN. Les prix sont sujets à des changements sans préavis.
- Le produit ne doit être utilisé que pour l'eau froide seulement.
- Ne pas utiliser pour le filtrage d'une eau microbiologiquement polluée ou de qualité inconnue en l'absence d'un dispositif de désinfection adéquat avant ou après le système.
- Veuillez vous référer à la couverture ou à la section "Accessoires" pour le nom, l'adresse et le numéro de téléphone du fabricant.
- Veuillez vous référer à la section "Garantie" pour la garantie limitée du fabricant.

Directives d'application/ Paramètres d'approvisionnement en eau

Approvisionnement en eau	Collectivité ou puits
Pression d'eau	30 - 120 lb/po ² (207 - 827 kPa)
Température d'eau	33° - 100°F (0,6° - 37,8° C)
Débit nominal	0,5 gpm (1,89 L/min.) à 60 lb/po ²



*Classe III - tailles des particules : > 5 à <15 µm

**Exigence de test : au moins 10 000 particules/mL (poussière de test fine AC).

***Ces contaminants ne sont pas nécessairement présents dans votre approvisionnement d'eau. Le rendement peut varier selon les conditions locales de l'eau.

® NSF est une marque déposée de NSF International.

GARANTIE DES RÉFRIGÉRATEURS JENN-AIR®

GARANTIE LIMITÉE

Pendant un an à compter de la date d'achat, lorsque ce gros appareil ménager est utilisé et entretenu conformément aux instructions jointes à ou fournies avec le produit, Jenn-Air, marque de Whirlpool Corporation ou Whirlpool Canada LP (ci-après désignée "Jenn-Air") paiera pour les pièces de rechange spécifiées par l'usine et la main-d'œuvre pour corriger les vices de matériaux ou de fabrication qui existaient déjà lorsque ce gros appareil ménager a été acheté. Le service doit être fourni par une compagnie de service désignée par Jenn-Air. LE SEUL ET EXCLUSIF RECOURS DU CLIENT DANS LE CADRE DE LA PRÉSENTE GARANTIE LIMITÉE CONSISTE EN LA RÉPARATION PRÉVUE CI-DESSUS. Cette garantie limitée est valide uniquement aux États-Unis ou au Canada et s'applique exclusivement lorsque le gros appareil ménager est utilisé dans le pays où il a été acheté. Une preuve de la date d'achat d'origine est exigée pour obtenir un service dans le cadre de la présente garantie limitée.

Sur les modèles avec un filtre à eau : garantie limitée de 30 jours sur le filtre à eau. Pendant 30 jours à compter de la date d'achat, lorsque ce filtre est utilisé et entretenu conformément aux instructions jointes à ou fournies avec le produit, Jenn-Air paiera pour les pièces de rechange pour corriger les vices de matériaux ou de fabrication.

GARANTIE LIMITÉE DE LA DEUXIÈME À LA CINQUIÈME ANNÉE INCLUSIVEMENT SUR LA DOUBLURE DE LA CAVITÉ ET LES PIÈCES DU SYSTÈME DE RÉFRIGÉRATION SCELLÉ

De la deuxième à la cinquième année inclusivement à compter de la date d'achat, lorsque ce gros appareil ménager est utilisé et entretenu conformément aux instructions jointes à ou fournies avec le produit, Jenn-Air paiera pour le remplacement ou la réparation de la doublure de la cavité du réfrigérateur/congélateur (frais de main-d'œuvre inclus) si la pièce se fissure à cause de vices de matériaux ou de fabrication. De même, de la deuxième à la cinquième année inclusivement à partir de la date d'achat, lorsque ce gros appareil ménager est utilisé et entretenu conformément aux instructions jointes ou fournies avec le produit, Jenn-Air paiera pour les pièces spécifiées par l'usine et la main-d'œuvre pour corriger les vices de matériaux ou de fabrication dans le système de réfrigération scellé qui existaient déjà lorsque ce gros appareil ménager a été acheté pour les pièces suivantes : compresseur, évaporateur, condenseur, sècheuse et conduits de connexion.

ÉLÉMENTS EXCLUS DE LA GARANTIE

La présente garantie limitée ne couvre pas :

1. Les pièces de rechange ou la main-d'œuvre lorsque ce gros appareil ménager est utilisé à des fins autres que l'usage domestique unifamilial normal ou lorsque les instructions d'installation et/ou les instructions de l'opérateur ou de l'utilisateur fournies ne sont pas respectées.
2. Les visites de service pour rectifier l'installation du gros appareil ménager, montrer à l'utilisateur comment utiliser le gros appareil ménager, remplacer ou réparer des fusibles du domicile ou rectifier le câblage ou la plomberie du domicile.
3. Les visites de service pour réparer ou remplacer les ampoules électriques, les filtres à air ou les filtres à eau de l'appareil. Les pièces consommables ne sont pas couvertes par la garantie.
4. Les dommages imputables à : accident, modification, usage impropre ou abusif, incendie, inondation, actes de Dieu, installation fautive ou installation non conforme aux codes d'électricité ou de plomberie, ou l'utilisation de produits non approuvés par Jenn-Air.
5. Les défauts d'apparence, notamment les éraflures, traces de choc, fissures ou tout autre dommage subi par le fini du gros appareil ménager, à moins que ces dommages ne résultent de vices de matériaux ou de fabrication et ne soient signalés à Jenn-Air dans les 30 jours suivant la date d'achat.
6. Toute perte d'aliments ou de médicaments due à une défaillance du réfrigérateur ou du congélateur.
7. Le ramassage et la livraison. Ce gros appareil ménager est conçu pour être réparé à domicile.
8. Les réparations aux pièces ou systèmes résultant d'une modification non autorisée faite à l'appareil.
9. Les frais de déplacement et de transport pour le service du produit si votre gros appareil ménager est situé dans une région éloignée où un fournisseur de services d'entretien ou de réparation Jenn-Air autorisé n'est pas disponible.
10. La dépose et la réinstallation de votre gros appareil ménager si celui-ci est installé dans un endroit inaccessible ou n'est pas installé conformément aux instructions d'installation fournies par Jenn-Air.
11. Les pièces de rechange ou la main-d'œuvre pour les gros appareils ménagers dont les numéros de modèle/de série ont été enlevés, modifiés ou ne peuvent pas être facilement identifiés.

CLAUSE D'EXONÉRATION DE RESPONSABILITÉ AU TITRE DES GARANTIES IMPLICITES

LES GARANTIES IMPLICITES, Y COMPRIS LES GARANTIES APPLICABLES DE QUALITÉ MARCHANDE OU D'APTITUDE À UN USAGE PARTICULIER, SONT LIMITÉES À UN AN OU À LA PLUS COURTE PÉRIODE AUTORISÉE PAR LA LOI. Certains États et provinces ne permettent pas de limitation sur la durée d'une garantie implicite de qualité marchande ou d'aptitude à un usage particulier, de sorte que la limitation ci-dessus peut ne pas être applicable dans votre cas. Cette garantie vous confère des droits juridiques spécifiques, et vous pouvez également jouir d'autres droits qui peuvent varier d'une juridiction à l'autre.

LIMITATION DES RECOURS; EXCLUSION DES DOMMAGES FORTUITS OU INDIRECTS

LE SEUL ET EXCLUSIF RECOURS DU CLIENT DANS LE CADRE DE LA PRÉSENTE GARANTIE LIMITÉE CONSISTE EN LA RÉPARATION PRÉVUE CI-DESSUS. JENN-AIR N'ASSUME AUCUNE RESPONSABILITÉ POUR LES DOMMAGES FORTUITS OU INDIRECTS. Certains États et certaines provinces ne permettent pas l'exclusion ou la limitation des dommages fortuits ou indirects, de sorte que ces limitations et exclusions peuvent ne pas être applicables dans votre cas. Cette garantie vous confère des droits juridiques spécifiques, et vous pouvez également jouir d'autres droits qui peuvent varier d'une juridiction à l'autre.

Si vous résidez à l'extérieur des 50 États des États-Unis et du Canada, contactez votre marchand Jenn-Air autorisé pour déterminer si une autre garantie s'applique.

Si vous avez besoin d'un service de réparation, voir d'abord la section "Dépannage" du guide d'utilisation et d'entretien. Si vous êtes dans l'incapacité de résoudre le problème après avoir vérifié la section "Dépannage", vous pourrez trouver de l'aide supplémentaire en vérifiant la section "Assistance ou service" ou en appelant Jenn-Air. Aux É.-U., composer le **1-800-688-1100**. Au Canada, composer le **1-800-807-6777**.

6/08

Conservez ce manuel et votre reçu de vente ensemble pour référence ultérieure. Pour le service sous garantie, vous devez présenter un document prouvant la date d'achat ou d'installation.

Inscrivez les renseignements suivants au sujet de votre gros appareil ménager pour mieux vous aider à obtenir assistance ou service en cas de besoin. Vous devrez connaître le numéro de modèle et le numéro de série au complet. Vous trouverez ces renseignements sur la plaque signalétique située sur le produit.

Nom du marchand _____

Adresse _____

Numéro de téléphone _____

Numéro de modèle _____

Numéro de série _____

Date d'achat _____

W10130023A

© 2008.
All rights reserved.
Todos los derechos reservados.
Tous droits réservés.

® Registered Trademark/™ Trademark of Jenn-Air, U.S.A. Used under license in Canada.
® Marca registrada/™ Marca de comercio de Jenn-Air, U.S.A. Usada en Canadá bajo licencia.
® Marque déposée/™ Marque de commerce de Jenn-Air, U.S.A. Emploi sous licence au Canada.

8/08
Printed in U.S.A.
Impreso en EE.UU.
Imprimé aux É.-U.

