



BUILT-IN ELECTRIC OVEN

Use & Care Guide

For questions about features, operation/performance, parts, accessories or service, call: **1-800-253-1301** or visit our website at...www.whirlpool.com

In Canada, call for assistance, installation or service, call: **1-800-807-6777** or visit our website at...www.whirlpool.ca

FOUR ÉLECTRIQUE ENCASTRÉ

Guide d'utilisation et d'entretien

Au Canada, pour assistance, installation ou service, composer le **1-800-807-6777**

ou visitez notre site web à www.whirlpool.ca

Table of Contents/Table des matières 2

Models/Modèles **RBD245** **RBS245**
 RBD275 **RBS275**
 RBD305 **RBS305**

TABLE OF CONTENTS

OVEN SAFETY	3
PARTS AND FEATURES	4
ELECTRONIC OVEN CONTROL	5
Display	5
Start	5
Upper Off/Cancel, Lower Off/Cancel or Off/Cancel	5
Clock	5
Tones	5
Fahrenheit and Celsius	6
Timer	6
Control Lock	6
Oven Temperature Control	6
OVEN USE	7
Aluminum Foil	7
Positioning Racks and Bakeware	7
Bakeware	7
Meat Thermometer	8
Oven Vent	8
Baking and Roasting	8
Broiling and Custom Broiling	8
Timed Cooking	9
OVEN CARE	10
Self-Cleaning Cycle (on some models)	10
General Cleaning	11
Oven Lights	12
Oven Door	12
TROUBLESHOOTING	13
ASSISTANCE OR SERVICE	14
In the U.S.A.	14
In Canada	14
WARRANTY	15

TABLE DES MATIÈRES

SÉCURITÉ DU FOUR	16
PIÈCES ET CARACTÉRISTIQUES	17
COMMANDE ÉLECTRONIQUE DU FOUR	18
Affichage	18
Mise en marche	18
Upper Off/Cancel (Four supérieur - Arrêt/annulation), Lower Off/Cancel (Four inférieur - Arrêt/annulation) ou Off/Cancel (Arrêt/annulation)	18
Horloge	18
Signaux sonores	18
Fahrenheit et Celsius	19
Minuterie	19
Verrouillage des commandes	19
Commande de la température du four	19
UTILISATION DU FOUR	20
Papier d'aluminium	20
Positionnement des grilles et des ustensiles de cuisson	20
Ustensiles de cuisson	20
Thermomètre à viande	21
Évent du four	21
Cuisson au four et rôtissage	21
Cuisson au gril et cuisson au gril personnalisée	22
Cuisson minutée	23
ENTRETIEN DU FOUR	24
Programme d'autonettoyage (sur certains modèles)	24
Nettoyage général	25
Lampes du four	25
Porte du four	26
DÉPANNAGE	26
ASSISTANCE OU SERVICE	27
GARANTIE	28



OVEN SAFETY

Your safety and the safety of others are very important.

We have provided many important safety messages in this manual and on your appliance. Always read and obey all safety messages.



This is the safety alert symbol.

This symbol alerts you to potential hazards that can kill or hurt you and others.

All safety messages will follow the safety alert symbol and either the word “DANGER” or “WARNING.”

These words mean:

⚠ DANGER

You can be killed or seriously injured if you don't immediately follow instructions.

⚠ WARNING

You can be killed or seriously injured if you don't follow instructions.

All safety messages will tell you what the potential hazard is, tell you how to reduce the chance of injury, and tell you what can happen if the instructions are not followed.

IMPORTANT SAFETY INSTRUCTIONS

WARNING: To reduce the risk of fire, electrical shock, injury to persons, or damage when using the oven, follow basic precautions, including the following:

- Proper Installation – Be sure the oven is properly installed and grounded by a qualified technician.
- Never Use the Oven for Warming or Heating the Room.
- Do Not Leave Children Alone – Children should not be left alone or unattended in area where oven is in use. They should never be allowed to sit or stand on any part of the oven.
- Wear Proper Apparel – Loose-fitting or hanging garments should never be worn while using the oven.
- User Servicing – Do not repair or replace any part of the oven unless specifically recommended in the manual. All other servicing should be referred to a qualified technician.
- Storage in Oven – Flammable materials should not be stored in an oven.
- Do Not Use Water on Grease Fires – Smother fire or flame or use dry chemical or foam-type extinguisher.
- Use Only Dry Potholders – Moist or damp potholders on hot surfaces may result in burns from steam. Do not let potholder touch hot heating elements. Do not use a towel or other bulky cloth.
- Use Care When Opening Door – Let hot air or steam escape before removing or replacing food.
- Do Not Heat Unopened Food Containers – Build-up of pressure may cause container to burst and result in injury.
- Keep Oven Vent Ducts Unobstructed.
- Placement of Oven Racks – Always place oven racks in desired location while oven is cool. If rack must be moved while oven is hot, do not let potholder contact hot heating element in oven.
- DO NOT TOUCH HEATING ELEMENTS OR INTERIOR SURFACES OF OVEN – Heating elements may be hot even though they are dark in color. Interior surfaces of an oven become hot enough to cause burns. During and after use, do not touch, or let clothing or other flammable materials contact heating elements or interior surfaces of oven until they have had sufficient time to cool. Other surfaces of the oven may become hot enough to cause burns – among these surfaces are oven vent openings and surfaces near these openings, oven doors, and windows of oven doors.

For self-cleaning ovens:

- Do Not Clean Door Gasket – The door gasket is essential for a good seal. Care should be taken not to rub, damage, or move the gasket.
- Do Not Use Oven Cleaners – No commercial oven cleaner or oven liner protective coating of any kind should be used in or around any part of the oven.
- Clean Only Parts Listed in Manual.
- Before Self-Cleaning the Oven – Remove broiler pan and other utensils.

SAVE THESE INSTRUCTIONS

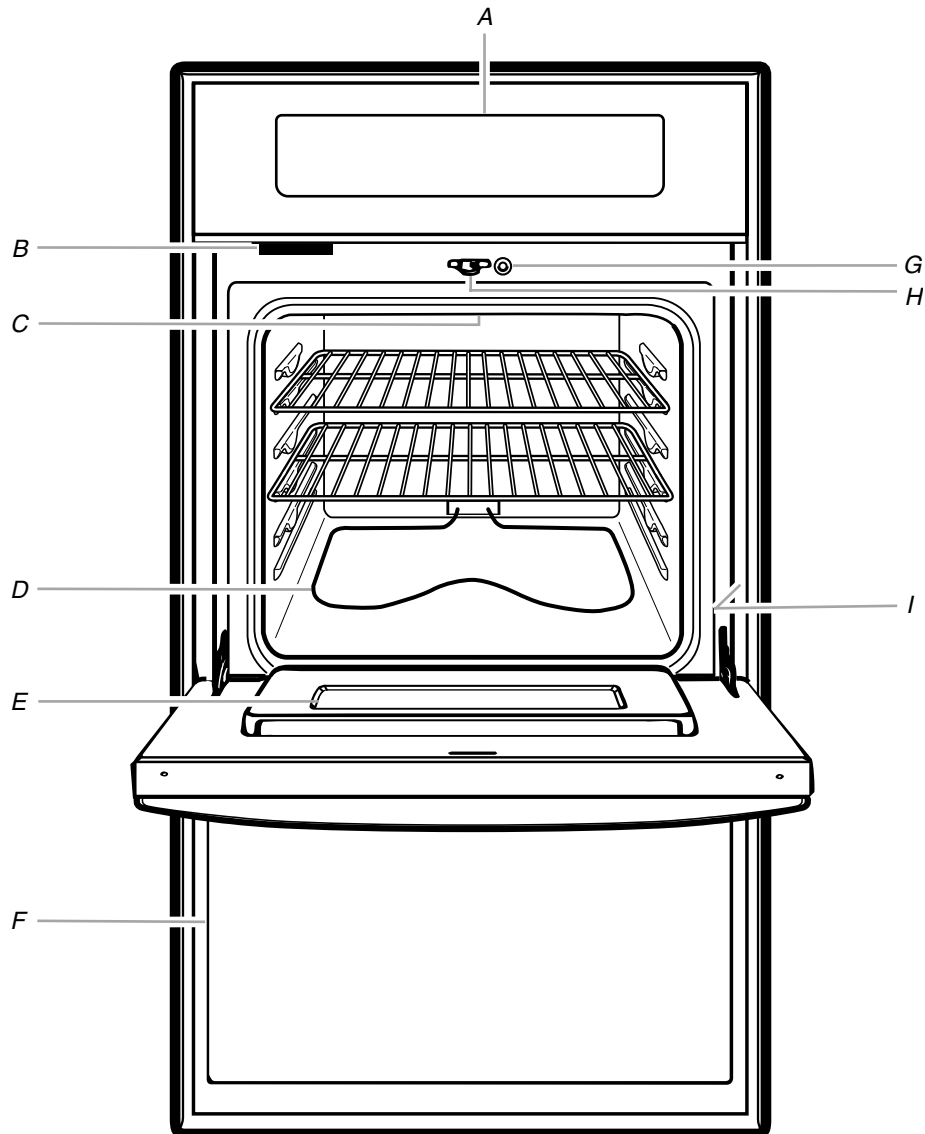
The California Safe Drinking Water and Toxic Enforcement Act requires the Governor of California to publish a list of substances known to the State of California to cause cancer, birth defects, or other reproductive harm, and requires businesses to warn of potential exposure to such substances.

WARNING: This product contains a chemical known to the State of California to cause cancer, birth defects, or other reproductive harm.

This appliance can cause low-level exposure to some of the substances listed, including benzene, formaldehyde, carbon monoxide, and toluene.

PARTS AND FEATURES

This manual covers different models. The oven you have purchased may have some or all of the items listed. The locations and appearances of the features shown here may not match those of your model.

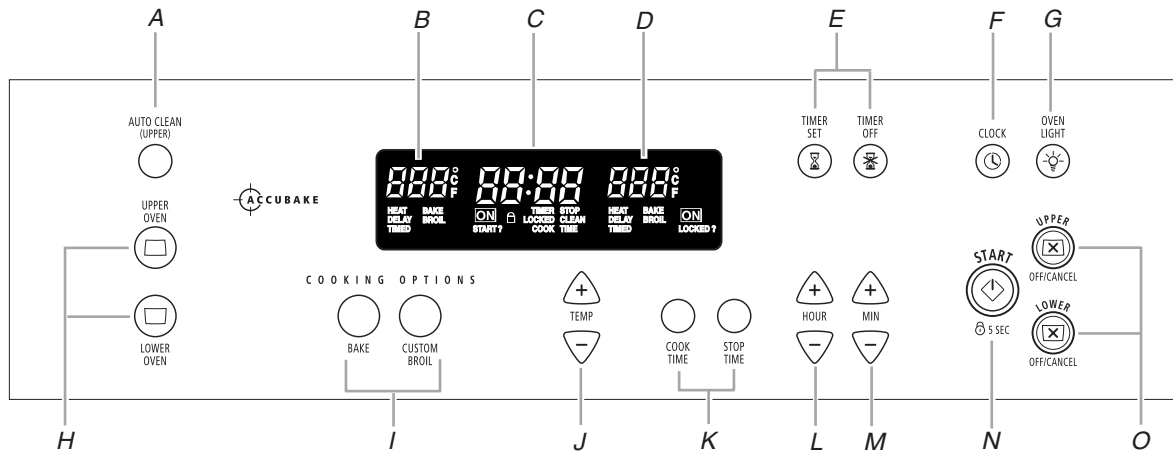


A. Electronic oven control
B. Oven vent
C. Broil element (not shown)
D. Bake element
E. Oven door window

F. Lower oven (see separate Use and Care Guide)
G. Automatic oven light switch
H. Oven lock latch
I. Model and serial number plate (on right mounting rail)

Parts and features not shown
Oven lights
Broiler pan and grid (on some models)

ELECTRONIC OVEN CONTROL



A. Auto clean

B. Upper oven temperature display

C. Electronic display

D. Lower oven temperature display

E. Timer

F. Clock

G. Oven light

H. Oven selector

I. Oven settings

J. Temperature setting

K. Timed cooking

L. Hour

M. Minute

N. Start (control lock)

O. Upper off/cancel
Lower off/cancel

Display

When power is first supplied to the appliance, everything on both displays will light up for 5 seconds. Then, the time of day and "PF" will appear on the electronic oven display.

If "PF" appears at any other time, a power failure has occurred. To reset the clock, press UPPER OFF/CANCEL or LOWER OFF/CANCEL on double oven models. On single oven models, press OFF/CANCEL.

Electronic Display

When the oven(s) are in use, this display shows the oven temperature. On double oven models, this display will also show which oven is being set.

Press UPPER OFF/CANCEL or LOWER OFF/CANCEL and retry entry. On single oven models, press OFF/CANCEL.

When the oven(s) are not in use, the display will show the time of day.

Start

The Start pad begins any oven function except the Timer. If the Start pad is not pressed within 5 seconds after pressing a pad, "START?" will appear on the oven display as a reminder. If the Start pad is not pressed within 4 minutes after pressing a pad, the oven display will return to the time of day mode and the programmed function will be canceled.

Upper Off/Cancel, Lower Off/Cancel or Off/Cancel

The UPPER OFF/CANCEL, LOWER OFF/CANCEL and OFF/CANCEL pads stop their respective oven functions except for the Clock, Timer and Control Lock.

The cooling fan may continue to operate even after an oven function has been canceled, depending on the oven temperature.

Clock

This is a 12-hour clock and does not show a.m. or p.m.

To Set:

Before setting, make sure the ovens, Timer and Timed Cooking are off.

1. Press CLOCK.
2. Press the HOUR or MIN "+" or "-" keypads to set the time of day.
3. Press CLOCK or START.

To remove the time of day from the display: Press and hold CLOCK for 5 seconds. Repeat to return the time of day to the display. The time should not have to be reset.

Tones

Tones are audible signals, indicating the following:

One tone

- Valid pad press
- Oven is preheated
- Function has been entered

Three tones

- Invalid pad press

Four tones

- End of cycle
- Reminder, repeating each minute after the end-of-cycle tones

All Tones

All of the above tones are preset on, but can be turned off.

To Turn Off/On: Press and hold STOP TIME for 5 seconds, and a tone will sound. On double ovens only, "Snd OFF" and "Snd On" will remain in the display. To remove, press UPPER OFF/CANCEL, LOWER OFF/CANCEL, or OFF/CANCEL.

Reminder Tones

The Timer and Timed Cooking reminder tones are preset on, but can be turned off. Reminder tones do not include end-of-cycle tones. If "All Tones" have been turned off, the reminder tones cannot be turned on independently.

Timer

To Turn Tones Off/On: Press and hold TIMER SET until a tone sounds. The display will show "TIMER" and "NA9 On" or "TIMER" and "NA9 OFF." To remove from the display, press UPPER OFF/CANCEL, LOWER OFF/CANCEL or OFF/CANCEL. Repeat to turn back on.

Timed Cooking

To Turn Tones Off/On: Press and hold COOK TIME until a tone sounds. The display will show "COOK TIME" and "NA9 OFF" or "COOK TIME" and "NA9 On" to indicate the status of the cook time tones. To remove from the display, press UPPER OFF/CANCEL, LOWER OFF/CANCEL or OFF/CANCEL. Repeat to turn back on.

Fahrenheit and Celsius

The temperature is preset at Fahrenheit, but can be changed to Celsius.

To Change: Touch and hold CUSTOM BROIL for 5 seconds. A tone will sound, and "C" will appear on the display. Repeat to change back to Fahrenheit. To remove, touch UPPER OFF/CANCEL, LOWER OFF/CANCEL or OFF/CANCEL.

Timer

The Timer can be set in hours and minutes and counts down the set time. The Timer does not start or stop the oven.

To Set:

1. Press TIMER SET.
If no action is taken after 4 minutes, the electronic oven display will return to the time of day mode.
2. Press the HOUR or MIN "+" or "-" keypads to set length of time.
3. Press TIMER SET or START.
If not pressed within 4 minutes, the display will return to the time of day mode and the programmed function will be canceled.
When the set time ends, if enabled, end-of-cycle tones will sound, then reminder tones will sound every minute.
4. Press TIMER OFF anytime to cancel the Timer and/or stop reminder tones.
Remember, do not press the Off/Cancel pads because the respective oven will turn off.
The time can be reset during the countdown by repeating the above steps.

Control Lock

The Control Lock shuts down the control panel pads to prevent unintended use of the ovens.

When the control is locked, only the CLOCK, TIMER SET, TIMER OFF and OVEN LIGHT pads will function.

The Control Lock is preset unlocked, but can be locked.

To Lock/Unlock Control: Before locking, make sure the ovens, Timer and Timed Cooking are off. Press and hold START until a single tone sounds, and "Loc," a picture of a lock and "START?" will appear on the oven display, about 5 seconds. Repeat to unlock and remove "Loc" from display.

Oven Temperature Control

IMPORTANT: Do not use a thermometer to measure oven temperature because opening the oven door and element or burner cycling may give incorrect readings.

The oven provides accurate temperatures; however, it may cook faster or slower than your previous oven, so the temperature calibration can be adjusted. It can be changed in Fahrenheit or Celsius.

A minus sign means the oven will be cooler by the displayed amount. The absence of a minus sign means the oven will be warmer by the displayed amount. Use the following chart as a guide.

ADJUSTMENT °F (ADJUSTMENT °C)	COOKS FOOD
10°F (5°C)	...a little more
20°F (10°C)	...moderately more
30°F (15°C)	...much more
-10°F (-5°C)	...a little less
-20°F (-10°C)	...moderately less
-30°F (-15°C)	...much less

To Adjust Oven Temperature Calibration:

1. Press and hold BAKE until the oven display shows the current calibration, for example, "0° CAL."
2. On double oven models only, press UPPER OVEN or LOWER OVEN.
3. Press the TEMP "+" or "-" keypads to increase or to decrease the temperature in 10°F (5°C) amounts. The adjustment can be set between 30°F (15°C) and -30°F (-15°C).
4. Press START.

OVEN USE

Odors and smoke are normal when the oven is used the first few times, or when it is heavily soiled.

During oven use, the heating elements will not remain on, but will cycle on and off throughout oven operation.

IMPORTANT: The health of some birds is extremely sensitive to the fumes given off. Exposure to the fumes may result in death to certain birds. Always move birds to another closed and well-ventilated room.

Aluminum Foil

IMPORTANT: Do not line the oven bottom with any type of foil, liners or cookware because permanent damage will occur to the oven bottom finish.

- Do not cover entire rack with foil because air must be able to move freely for best cooking results.
- To catch spills, place foil on rack below dish. Make sure foil is at least 1/2" (1.3 cm) larger than the dish and that it is turned up at the edges.

Positioning Racks and Bakeware

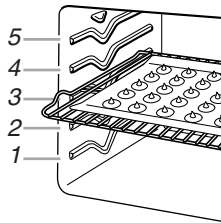
IMPORTANT: To avoid permanent damage to the porcelain finish, do not place food or bakeware directly on the oven door or bottom.

RACKS

NOTES:

- Position racks before turning on the oven.
- Do not move racks with bakeware on them.
- Make sure racks are level.

To move a rack, pull it out to the stop position, raise the front edge, then lift out. Use the following illustration and chart as a guide.



FOOD	RACK POSITION(S)
Frozen pies, large roasts, turkeys, angel food cakes	1 or 2
Bundt cakes, most quick breads, yeast breads, casseroles, meats	2
Cookies, biscuits, muffins, cakes, nonfrozen pies	2 or 3

BAKEWARE

Hot air must be able to circulate around food to cook evenly, so allow 2" (5 cm) of space around bakeware and oven walls. Use the following chart as a guide.

NUMBER OF PAN(S)	POSITION ON RACK
1	Center of rack.
2	Side by side or slightly staggered.
3 or 4	Opposite corners on each rack. Make sure that no bakeware piece is directly over another.

Bakeware

The bakeware material affects cooking results. Follow manufacturer's recommendations and use the bakeware size recommended in the recipe. Use the following chart as a guide.

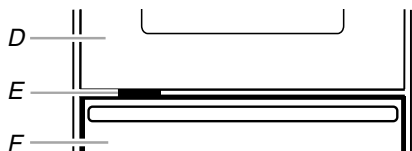
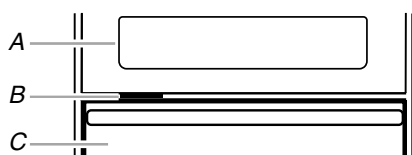
BAKEWARE/ RESULTS	RECOMMENDATIONS
Light colored aluminum <ul style="list-style-type: none"> Light golden crusts Even browning 	<ul style="list-style-type: none"> Use temperature and time recommended in recipe.
Dark aluminum and other bakeware with dark, dull and/or nonstick finish <ul style="list-style-type: none"> Brown, crisp crusts 	<ul style="list-style-type: none"> May need to reduce baking temperatures 25°F (15°C). Use suggested baking time. For pies, breads and casseroles, use temperature recommended in recipe. Place rack in center of oven.
Insulated cookie sheets or baking pans <ul style="list-style-type: none"> Little or no bottom browning 	<ul style="list-style-type: none"> Place in the bottom third of oven. May need to increase baking time.
Stainless steel <ul style="list-style-type: none"> Light, golden crusts Uneven browning 	<ul style="list-style-type: none"> May need to increase baking time.
Stoneware/Baking stone <ul style="list-style-type: none"> Crisp crusts 	<ul style="list-style-type: none"> Follow manufacturer's instructions.
Ovenproof glassware, ceramic glass or ceramic <ul style="list-style-type: none"> Brown, crisp crusts 	<ul style="list-style-type: none"> May need to reduce baking temperatures 25°F (15°C).

Meat Thermometer

On models without a temperature probe, use a meat thermometer to determine doneness of meat, poultry and fish. The internal temperature, not appearance, should be used to determine doneness. A meat thermometer is not supplied with this appliance.

- Insert the thermometer into the center of the thickest portion of the meat or inner thigh or breast of poultry. The tip of the thermometer should not touch fat, bone or gristle.
- After reading the thermometer once, push it into the meat ½" (1.3 cm) more and read again. If the temperature drops, cook the meat or poultry longer.
- Check all meat, poultry and fish in 2 or 3 different places.

Oven Vent



Single Oven

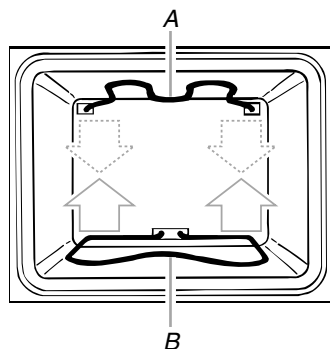
- A. Control panel
- B. Oven vent
- C. Oven

Double Oven

- D. Upper oven
- E. Oven vent
- F. Lower oven

The oven vent should not be blocked or covered since it allows the release of hot air and moisture from the oven. Blocking or covering vents will cause poor air circulation, affecting cooking and cleaning results. Do not set plastics, paper or other items that could melt or burn near the oven vent.

Baking and Roasting



- A. Broil element
- B. Bake element

ACCUBAKE® Temperature Management System

(on some models)

The ACCUBAKE® system electronically regulates the oven heat levels during preheat and bake to maintain a precise temperature range for optimal cooking results. The bake and broil elements cycle on and off in intervals. The bake element will glow red when cycling on, the broil element will not. This feature is automatically activated when the oven is in use.

Before baking and roasting, position racks according to the "Positioning Racks and Bakeware" section. When roasting, it is not necessary to wait for the oven preheat conditioning time to end before putting food in unless recommended in the recipe.

If the oven door is opened during baking and roasting, the bake and broil elements will turn off immediately. They will come back on once the door is closed.

To Bake or Roast:

1. On double oven models only, press UPPER OVEN or LOWER OVEN.

Close oven door. The display will show "door" and the heating elements will not heat if the door is open when baking and roasting.

2. Press BAKE.

Press the TEMP "+" or "-" keypads to enter a temperature other than 350°F (177°C). The bake range can be set between 170°F and 500°F (77°C and 260°C).

3. Press START.

A preheat time will count down and "PrE" will appear on the oven display if the actual oven temperature is under 170°F (77°C).

When the actual oven temperature reaches 170°F (77°C), the timer will continue counting down. The temperature setting can be changed anytime after pressing START.

When the set temperature is reached, if enabled, one tone will sound.

4. Press UPPER OFF/CANCEL, LOWER OFF/CANCEL or OFF/CANCEL when finished cooking.

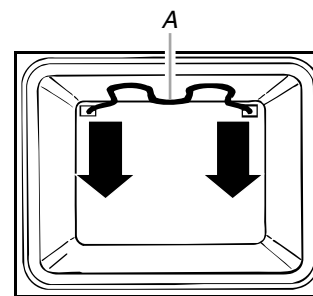
Preheating

After START is pressed, the oven will enter a timed preheat conditioning. "PrE" and the time countdown will appear on the display. When the preheat conditioning time ends, a tone will sound and the selected temperature will appear on the display.

Preheat temperatures are affected by varying factors such as room temperature and peak energy usage times. It is normal for the temperature showing on the display and the actual oven temperature to differ.

Waiting an additional 10 minutes after the preheat conditioning time ends to put food in the oven is suggested when baking foods with leavening ingredients, such as yeast, baking powder, baking soda and eggs.

Broiling and Custom Broiling



- A. Broil element

Broiling uses direct radiant heat from the broil element to cook food. During broiling, the broil element cycles on and off in intervals to maintain the oven temperature.

If the oven door is opened during broiling, the broil element will turn off immediately and come back on once the door is closed.

- For best results, use a broiler pan and grid. They are designed to drain juices and help avoid spatter and smoke.
If you would like to purchase a broiler pan, one may be ordered. See “Assistance or Service” section to order. Ask for Part Number 4396923.
- For proper draining, do not cover the grid with foil. The bottom of the pan may be lined with aluminum foil for easier cleaning.
- Trim excess fat to reduce spattering. Slit the remaining fat on the edges to avoid curling.
- Pull out oven rack to stop position before turning or removing food. Use tongs to turn food to avoid the loss of juices. Very thin cuts of fish, poultry or meat may not need to be turned.
- After broiling, remove the pan from the oven when removing the food. Drippings will bake on the pan if left in the heated oven, making cleaning more difficult.

To Broil:

Before broiling or custom broiling, position the rack according to the Broiling Chart.

Position food on the grid in the broiler pan, then place it in the center of the oven rack with the longest side parallel to the door. It is not necessary to preheat the oven before putting in food, unless recommended in the recipe.

Close the door.

1. On double oven models only, press UPPER OVEN or LOWER OVEN.
2. Press CUSTOM BROIL.
3. Press START.
The set oven temperature will appear on the oven display until the oven is turned off.
4. Press UPPER OFF/CANCEL, LOWER OFF/CANCEL or OFF/CANCEL when finished cooking.

To Custom Broil:

Changing the temperature when custom broiling allows more precise control when cooking. The lower the temperature, the slower the cooking. Thicker cuts and unevenly shaped pieces of meat, fish and poultry may cook better at lower broiling temperatures.

1. On double oven models only, press UPPER OVEN or LOWER OVEN.
2. Press CUSTOM BROIL.
3. Press the TEMP “+” or “-” keypads to enter a temperature other than 500°F (260°C). The broil range can be set between 170°F and 500°F (77°C and 260°C).
4. Press START.
The set oven temperature will appear on the oven display until the oven is turned off.
5. Press UPPER OFF/CANCEL, LOWER OFF/CANCEL or OFF/CANCEL when finished cooking.

BROILING CHART

For best results, place food 3" (7 cm) or more from the broil element. Times are guidelines only and may need to be adjusted for individual foods and tastes. Recommended rack positions are numbered from the bottom (1) to the top (5). For diagram, see the “Positioning Racks and Bakeware” section.

FOOD	RACK POSITION	COOK TIME (in minutes)	
		SIDE 1	SIDE 2
Steak			
1" (2.5 cm) thick			
medium rare	4	14-15	7-8
medium	4	15-16	8-9
well-done	4	18-19	9-10
Ground meat patties*			
¾" (2 cm) thick			
well-done	4	13-14	7-8
Pork chops			
1" (2.5 cm) thick	4	20-22	10-11
Ham slice, precooked			
½" (1.25 cm) thick	4	8-10	4-5
Frankfurters			
	4	5-7	3-4
Lamb chops			
1" (2.5 cm) thick	4	14-17	8-9
Chicken			
bone-in pieces	3	17-20	17-20
boneless breasts	4	11-16	11-16
Fish Fillets			
¼-½" (0.6-1.25 cm) thick	4	8-10	4-5
Fish Steaks			
¾-1" (2-2.5 cm) thick	4	16-18	8-9

*Place up to 12 patties, equally spaced, on broiler grid.

Timed Cooking

WARNING

Food Poisoning Hazard

Do not let food sit in oven more than one hour before or after cooking.

Doing so can result in food poisoning or sickness.

Timed Cooking allows the oven to be set to turn on at a certain time of day, cook for a set length of time, and/or shut off automatically.

To Set a Cook Time:

1. On double oven models only, press UPPER OVEN or LOWER OVEN.
2. Press BAKE or CUSTOM BROIL.
Press the number pads to enter a temperature other than the one displayed.
3. Press COOK TIME.

4. Press the HOUR and MIN “+” or “-” keypads to enter the length of time to cook.
5. Press START.
The start time, the stop time countdown and “TIMED” will appear on the oven display.
On double oven models only, when both upper and lower ovens are being used at the same time, touch UPPER OVEN or LOWER OVEN to display the respective cook time.
When the stop time is reached, the oven will shut off automatically and “End” will appear on the oven display.
If enabled, end-of-cycle tones will sound, then reminder tones will sound every minute.
6. Press UPPER OFF/CANCEL, LOWER OFF/CANCEL or OFF/CANCEL or open the oven door to clear the display and/or stop reminder tones.

To Set a Cook Time and Stop Time:

Before setting, make sure the clock is set to the correct time of day. See “Clock” section.


1. On double oven models only, press UPPER OVEN or LOWER OVEN.

2. Press BAKE or CUSTOM BROIL.
Press the TEMP “+” or “-” arrow pad to enter a temperature other than the one displayed.
3. Press COOK TIME.
4. Press the HOUR and MIN “+” or “-” keypads to enter the length of time to cook.
5. Press STOP TIME.
When the stop time is reached, the oven will shut off automatically and “End” will appear on the oven display.
If enabled, end-of-cycle tones will sound, then reminder tones will sound every minute.
6. Press START
The start time is automatically calculated and displayed. “TIMED,” “DELAY” and stop time will also appear on the oven display.
When the start time is reached, the oven will automatically turn on. The countdown time will appear on the oven display.
7. Press UPPER OFF/CANCEL, LOWER OFF/CANCEL or OFF/CANCEL or open the oven door to clear the display and/or stop reminder tones.

OVEN CARE

Self-Cleaning Cycle (on some models)

⚠ WARNING



Burn Hazard

Do not touch the oven during the Self-Cleaning cycle.

Keep children away from oven during Self-Cleaning cycle.

Failure to follow these instructions can result in burns.

- Remove oven racks to keep them shiny and easy to slide. See “General Cleaning” section for more information.
- Hand clean inside door edge and the 1½" (3.8 cm) area around the inside oven cavity frame, being certain not to move or bend the gasket. This area does not get hot enough during self-cleaning to remove soil. Do not let water, cleaner, etc. enter slots on door frame. Use a damp cloth to clean this area.
- Wipe out any loose soil to reduce smoke and avoid damage. At high temperatures, foods react with porcelain. Staining, etching, pitting or faint white spots can result. This will not affect cooking performance.

How the Cycle Works

IMPORTANT: The heating and cooling of porcelain on steel in the oven may result in discoloring, loss of gloss, hairline cracks and popping sounds.

The Self-Cleaning cycle uses very high temperatures, burning soil to a powdery ash.

The oven is preset for a 3 hour 30 minute clean cycle, but the time can be changed. Suggested clean times are 2 hours 30 minutes for light soil and between 3 hours 30 minutes to 4 hours 30 minutes for average to heavy soil.

Once the oven has completely cooled, remove ash with a damp cloth. Do not wipe down any of the inside surfaces until the oven has completely cooled down. Applying a cool damp cloth to the inner door glass before it has completely cooled could result in the glass breaking.

The oven light will not work during the Self-Cleaning cycle.

On combination oven models, the upper oven will not work during the Self-Cleaning cycle.

On double oven models only, be sure to set the correct controls for the oven (upper or lower) you want to use.

IMPORTANT: The health of some birds is extremely sensitive to the fumes given off during the Self-Cleaning cycle. Exposure to the fumes may result in death to certain birds. Always move birds to another closed and well-ventilated room.

Self-clean the oven before it becomes heavily soiled. Heavy soil results in longer cleaning and more smoke.

Keep the kitchen well-ventilated during the Self-Cleaning cycle to help get rid of heat, odors, and smoke.

Do not block the oven vent(s) during the Self-Cleaning cycle. Air must be able to move freely. Depending on your model, see “Oven Vent” or “Oven Vents” section.

Do not clean, rub, damage or move the oven door gasket. The door gasket is essential for a good seal.

Prepare Oven:

- Remove the broiler pan, grid, cookware and bakeware and, on some models, the temperature probe from the oven.
- Remove any foil from the oven because it may burn or melt, damaging the oven.

To Self-Clean:

Before self-cleaning, make sure the door is closed completely or it will not lock and the cycle will not begin.

1. Press AUTO CLEAN.
2. Press the HOUR “+” or “-” keypads to set a clean time other than 3 hours 30 minutes. The clean time can be set between 2 hours 30 minutes and 4 hours 30 minutes.
3. Press START.

The oven door will automatically lock, and “LOCKED” will appear on the oven display. The door will not unlock until the oven cools.

When the cycle is complete and the oven cools, “End” will appear on the oven display, and “LOCKED” will disappear.

4. Press UPPER OFF/CANCEL, LOWER OFF/CANCEL or OFF/CANCEL or open the oven door to clear the oven display.

To Delay Start Self-Clean:

Before delay starting Self-Clean, make sure the clock is set to the correct time of day. See “Clock” section. Also, make sure the door is closed completely or it will not lock and the cycle will not begin.

1. Press AUTO CLEAN.
Press the HOUR “+” or “-” keypad to set a clean time other than 3 hours 30 minutes. The clean time can be set between 2 hours 30 minutes and 4 hours 30 minutes.
2. Press STOP TIME.
3. Press the HOUR and MIN “+” or “-” keypads to enter the time of day to stop.
4. Press START.

The start time is automatically calculated and displayed.

The door will lock automatically, and “LOCKED” and “DELAY” will appear on the display. The door will not unlock until the oven cools.

When the start time is reached, the oven will turn on automatically.

When the cycle is complete and the oven cools, “End” will appear on the lower oven display and “LOCKED” will disappear.

5. Press any pad or open the oven door to clear the oven display.

To Stop Self-Clean anytime:

Press UPPER OFF/CANCEL, LOWER OFF/CANCEL or OFF/CANCEL. If the oven temperature is too high, the door will remain locked. It will not unlock until the oven cools.

General Cleaning

IMPORTANT: Before cleaning, make sure all controls are off and the oven is cool. Always follow label instructions on cleaning products.

Soap, water and a soft cloth or sponge are suggested first unless otherwise noted.

STAINLESS STEEL (on some models)

Cleaning Method:

Rub in direction of grain to avoid damaging.

- Stainless Steel Cleaner & Polish Part Number 31464 (not included):

See “Assistance or Service” section to order.

- Liquid detergent or all-purpose cleaner:

Rinse with clean water and dry with soft, lint-free cloth.

- Vinegar for hard water spots

To avoid damage to stainless steel surfaces, do not use soap-filled scouring pads, abrasive cleaners, Cooktop Polishing Creme, steel-wool pads, gritty washcloths or some paper towels.

OVEN DOOR EXTERIOR

Cleaning Method:

- Glass cleaner and a soft cloth or sponge:
Apply glass cleaner to soft cloth or sponge, not directly on panel.

- All-Purpose Appliance Cleaner Part Number 31662 (not included):
See “Assistance or Service” section to order.

CONTROL PANEL

Cleaning Method:

- Glass cleaner and soft cloth or sponge:
Apply glass cleaner to soft cloth or sponge, not directly on panel.

- All-Purpose Appliance Cleaner Part Number 31662 (not included):
See “Assistance or Service” section to order.

Do not use abrasive cleaners, steel-wool pads, gritty washcloths or some paper towels. Damage may occur.

OVEN CAVITY

Do not use oven cleaners.

Food spills should be cleaned when oven cools. At high temperatures, foods react with porcelain and staining, etching, pitting or faint white spots can result.

Cleaning Method:

- Self-Cleaning cycle: See “Self-Cleaning Cycle” first.

OVEN RACKS AND ROASTING RACKS

Cleaning Method:

- Self-Cleaning cycle:

See “Self-Cleaning Cycle” first. Remove racks or they will discolor and become harder to slide. If this happens, a light coating of vegetable oil applied to the rack guides will help them slide.

- Steel-wool pad

BROILER PAN AND GRID (on some models)

Do not clean in the Self-Cleaning cycle.

Cleaning Method:

- Mildly abrasive cleanser:

Scrub with wet scouring pad.

- Solution of ½ cup (125 mL) ammonia to 1 gal. (3.75 L) water:

Soak for 20 minutes, then scrub with scouring or steel-wool pad.

- Oven cleaner:

Follow product label instructions.

Porcelain enamel only, not chrome

- Dishwasher

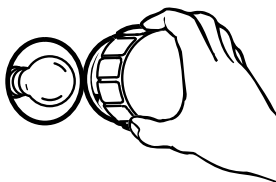
Oven Lights

The oven lights are standard 15-watt appliance bulbs. They will come on when the oven door is opened. On double oven models with self-clean upper and lower ovens, all oven lights will come on when either door is opened. On double oven models with standard-clean lower ovens, the oven lights will not come on when the lower oven door is opened. The oven lights will not work during the Self-Cleaning cycle. When the oven door is closed, touch OVEN LIGHT to turn them on or off.

To Replace:

Before replacing, make sure the oven is off and cool.

1. Disconnect power.
2. Turn the glass bulb cover in the back of the oven counterclockwise to remove.



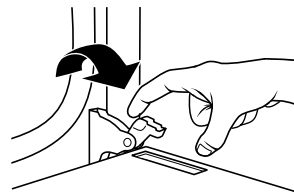
3. Turn bulb counterclockwise to remove from socket.
4. Replace bulb and bulb cover by turning clockwise.
5. Reconnect power.

Oven Door

For normal range use, it is not suggested to remove the oven door. However, if removal is necessary, make sure the oven is off and cool. Then, follow these instructions. The oven door is heavy.

To Remove:

1. Open oven door all the way.
2. Flip up the hinge latch on each side.



3. Close the oven door as far as it will shut.
4. Lift the oven door while holding both sides. Continue to push the oven door closed and pull it away from the oven door frame.



To Replace:

1. Insert both hanger arms into the door.



2. Open the oven door. You should hear a “click” as the door is set into place.
3. Move the hinge levers back to the locked position. Check that the door is free to open and close. If it is not, repeat the removal and installation procedures.

TROUBLESHOOTING

Try the solutions suggested here first in order to avoid the cost of an unnecessary service call.

Nothing will operate

- **Has a household fuse blown, or has a circuit breaker tripped?**
Replace the fuse or reset the circuit breaker. If the problem continues, call an electrician.
 - **Is the appliance wired properly?**
See Installation Instructions.
-

Oven will not operate

- **Is the electronic oven control set correctly?**
See “Electronic Oven Control” section.
 - **Has a delay start been set?**
See “Timed Cooking” section.
 - **On some models, is the Control Lock set?**
See “Control Lock” section.
 - **On some models, is the Sabbath Mode set?**
See “Sabbath Mode” section.
 - **On double oven models, is one oven self-cleaning?**
When one oven is self-cleaning the other oven cannot be set or turned on.
 - **On double oven models, has the correct oven been selected?**
Choose UPPER OVEN or LOWER OVEN first.
-

Oven temperature too high or too low

- **Does the oven temperature calibration need adjustment?**
See “Oven Temperature Control” section.
-

Display shows messages

- **Is the display showing “PF”, “PF id=27” or “PF id=30”?**
There has been a power failure. Clear the display. See “Display(s)” section. On some models, reset the clock, if needed. See “Clock” section.
 - **Is the display showing a letter followed by a number?**
Clear the display. See “Display(s)” section. If it reappears, call for service. See “Assistance or Service” section.
-

Self-Cleaning cycle will not operate

- **Is the oven door open?**
Close the oven door all the way.
 - **Has the function been entered?**
See “Self-Cleaning Cycle” section.
 - **On some models, has a delay start Self-Clean cycle been set?**
See “Self-Cleaning Cycle” section.
 - **Has a delay start been set?**
See “Timed Cooking” section.
 - **On double oven models, is one oven self-cleaning?**
When one oven is self-cleaning, the other oven cannot be set to self-clean.
-

Oven cooking results not what expected

- **Is the appliance level?**
Level the appliance. See the Installation Instructions.
 - **Is the proper temperature set?**
Double-check the recipe in a reliable cookbook.
 - **Is the proper oven temperature calibration set?**
See “Oven Temperature Control” section.
 - **Was the oven preheated?**
See “Baking and Roasting” section.
 - **Is the proper bakeware being used?**
See “Bakeware” section.
 - **Are the racks positioned properly?**
See “Positioning Racks and Bakeware” section.
 - **Is there proper air circulation around bakeware?**
See “Positioning Racks and Bakeware” section.
 - **Is the batter evenly distributed in the pan?**
Make sure batter is level in the pan.
 - **Is the proper length of time being used?**
Adjust cooking time.
 - **Has the oven door been opened while cooking?**
Oven peeking releases oven heat and can result in longer cooking times.
 - **Are baked items too brown on the bottom?**
Move rack to higher position in the oven.
 - **Are pie crust edges browning early?**
Use aluminum foil to cover the edge of the crust and/or reduce baking temperature.
-

ASSISTANCE OR SERVICE

Before calling for assistance or service, please check “Troubleshooting.” It may save you the cost of a service call. If you still need help, follow the instructions below.

When calling, please know the purchase date and the complete model and serial number of your appliance. This information will help us to better respond to your request.

If you need replacement parts

If you need to order replacement parts, we recommend that you use only FSP® replacement parts. FSP® replacement parts will fit right and work right because they are made with the same precision used to build every new WHIRLPOOL® appliance.

To locate FSP® replacement parts in your area, call us or your nearest Whirlpool designated service center.

In the U.S.A.

Call the Whirlpool Customer eXperience Center toll free: **1-800-253-1301**.

Our consultants provide assistance with:

- Features and specifications on our full line of appliances.
- Installation information.
- Use and maintenance procedures.
- Accessory and repair parts sales.
- Specialized customer assistance (Spanish speaking, hearing impaired, limited vision, etc.).
- Referrals to local dealers, repair parts distributors, and service companies. Whirlpool designated service technicians are trained to fulfill the product warranty and provide after-warranty service, anywhere in the United States.

To locate the Whirlpool designated service company in your area, you can also look in your telephone directory Yellow Pages.

For further assistance

If you need further assistance, you can write to Whirlpool Corporation with any questions or concerns at:

Whirlpool Brand Home Appliances
Customer eXperience Center
553 Benson Road
Benton Harbor, MI 49022-2692

Please include a daytime phone number in your correspondence.

Accessories U.S.A.

To order accessories, call the Whirlpool Customer eXperience Center toll free at **1-800-442-9991** and follow the menu prompts. Or visit our website at www.whirlpool.com and click on “Buy Accessories Online.”

Stainless Steel Cleaner & Polish

(stainless steel models)

Order Part Number 31462

All-Purpose Appliance Cleaner

Order Part Number 31662

In Canada

Call the Whirlpool Canada LP Customer Interaction Centre toll free: **1-800-807-6777**.

Our consultants provide assistance with:

- Features and specifications on our full line of appliances.
- Use and maintenance procedures.
- Accessory and repair parts sales.
- Referrals to local dealers, repair parts distributors, and service companies. Whirlpool Canada LP designated service technicians are trained to fulfill the product warranty and provide after-warranty service, anywhere in Canada.

For further assistance

If you need further assistance, you can write to Whirlpool Canada LP with any questions or concerns at:

Customer Interaction Centre
Whirlpool Canada LP
1901 Minnesota Court
Mississauga, Ontario L5N 3A7

Please include a daytime phone number in your correspondence.

Stainless Steel Cleaner & Polish

(stainless steel models)

Order Part Number 31462B

All-Purpose Appliance Cleaner

Order Part Number 31662B

WHIRLPOOL CORPORATION MAJOR APPLIANCE WARRANTY

ONE YEAR LIMITED WARRANTY

For one year from the date of purchase, when this major appliance is operated and maintained according to instructions attached to or furnished with the product, Whirlpool Corporation or Whirlpool Canada LP (hereafter "Whirlpool") will pay for FSP® replacement parts and repair labor to correct defects in materials or workmanship. Service must be provided by a Whirlpool designated service company.

ITEMS WHIRLPOOL WILL NOT PAY FOR

1. Service calls to correct the installation of your major appliance, to instruct you how to use your major appliance, to replace or repair house fuses or to correct house wiring or plumbing.
 2. Service calls to repair or replace appliance light bulbs, air filters or water filters. Those consumable parts are excluded from warranty coverage.
 3. Repairs when your major appliance is used for other than normal, single-family household use.
 4. Damage resulting from accident, alteration, misuse, abuse, fire, flood, acts of God, improper installation, installation not in accordance with electrical or plumbing codes, or use of products not approved by Whirlpool.
 5. Any food loss due to refrigerator or freezer product failures.
 6. Replacement parts or repair labor costs for units operated outside the United States or Canada.
 7. Pickup and delivery. This major appliance is designed to be repaired in the home.
 8. Repairs to parts or systems resulting from unauthorized modifications made to the appliance.
 9. Expenses for travel and transportation for product service in remote locations.
 10. The removal and reinstallation of your appliance if it is installed in an inaccessible location or is not installed in accordance with published installation instructions.
-

DISCLAIMER OF IMPLIED WARRANTIES; LIMITATION OF REMEDIES

CUSTOMER'S SOLE AND EXCLUSIVE REMEDY UNDER THIS LIMITED WARRANTY SHALL BE PRODUCT REPAIR AS PROVIDED HEREIN. IMPLIED WARRANTIES, INCLUDING WARRANTIES OF MERCHANTABILITY OR FITNESS FOR A PARTICULAR PURPOSE, ARE LIMITED TO ONE YEAR OR THE SHORTEST PERIOD ALLOWED BY LAW. WHIRLPOOL SHALL NOT BE LIABLE FOR INCIDENTAL OR CONSEQUENTIAL DAMAGES. SOME STATES AND PROVINCES DO NOT ALLOW THE EXCLUSION OR LIMITATION OF INCIDENTAL OR CONSEQUENTIAL DAMAGES, OR LIMITATIONS ON THE DURATION OF IMPLIED WARRANTIES OF MERCHANTABILITY OR FITNESS, SO THESE EXCLUSIONS OR LIMITATIONS MAY NOT APPLY TO YOU. THIS WARRANTY GIVES YOU SPECIFIC LEGAL RIGHTS AND YOU MAY ALSO HAVE OTHER RIGHTS, WHICH VARY FROM STATE TO STATE OR PROVINCE TO PROVINCE.

Outside the 50 United States and Canada, this warranty does not apply. Contact your authorized Whirlpool dealer to determine if another warranty applies.

If you need service, first see the "Troubleshooting" section of the Use & Care Guide. After checking "Troubleshooting," additional help can be found by checking the "Assistance or Service" section or by calling Whirlpool. In the U.S.A., call **1-800-253-1301**. In Canada, call **1-800-807-6777**.

8/05

Keep this book and your sales slip together for future reference. You must provide proof of purchase or installation date for in-warranty service.

Write down the following information about your major appliance to better help you obtain assistance or service if you ever need it. You will need to know your complete model number and serial number. You can find this information on the model and serial number label located on the product.

Dealer name _____
Address _____
Phone number _____
Model number _____
Serial number _____
Purchase date _____

SÉCURITÉ DU FOUR

Votre sécurité et celle des autres est très importante.

Nous donnons de nombreux messages de sécurité importants dans ce manuel et sur votre appareil ménager. Assurez-vous de toujours lire tous les messages de sécurité et de vous y conformer.



Voici le symbole d'alerte de sécurité.

Ce symbole d'alerte de sécurité vous signale les dangers potentiels de décès et de blessures graves à vous et à d'autres.

Tous les messages de sécurité suivront le symbole d'alerte de sécurité et le mot "DANGER" ou "AVERTISSEMENT". Ces mots signifient :

⚠ DANGER

Risque possible de décès ou de blessure grave si vous ne suivez pas immédiatement les instructions.

⚠ AVERTISSEMENT

Risque possible de décès ou de blessure grave si vous ne suivez pas les instructions.

Tous les messages de sécurité vous diront quel est le danger potentiel et vous disent comment réduire le risque de blessure et ce qui peut se produire en cas de non-respect des instructions.

IMPORTANTES INSTRUCTIONS DE SÉCURITÉ

AVERTISSEMENT : Pour réduire le risque d'incendie, de choc électrique, de blessures corporelles ou de dommages lors de l'utilisation du four, il convient d'observer certaines précautions élémentaires dont les suivantes :

- Installation appropriée – S'assurer que le four est convenablement installé et relié à la terre par un technicien qualifié.
- Ne jamais utiliser le four pour chauffer ou réchauffer une pièce.
- Ne pas laisser les enfants seuls – Les enfants ne doivent pas être laissés seuls ou sans surveillance dans la pièce où le four est en service. Ne jamais laisser les enfants s'asseoir ou se tenir sur une partie quelconque du four.
- Porter des vêtements appropriés – Les vêtements amples ou détachés ne doivent jamais être portés pendant l'utilisation du four.
- Entretien par l'utilisateur – Ne pas réparer ni remplacer toute pièce du four si ce n'est pas spécifiquement recommandé dans le manuel. Toute autre opération d'entretien ou de réparation doit être confiée à un technicien qualifié.
- Ne pas utiliser d'eau pour éteindre un feu de graisse – Éteuffer le feu ou les flammes ou utiliser des extincteurs polyvalents à produits chimiques secs ou un extincteur à mousse.
- Utiliser seulement des mitaines sèches de four – Des mitaines de four mouillées ou humides sur des surfaces chaudes peuvent provoquer des brûlures provenant de la vapeur. Ne pas laisser les mitaines de four toucher les éléments chauffants. Ne pas utiliser une serviette ou un tissu épais.
- Exercer une grande prudence lors de l'ouverture de la porte. Laisser l'air chaud ou la vapeur s'échapper avant d'enlever ou de remplacer un plat.
- Ne pas faire chauffer des contenants fermés – L'accumulation de pression peut causer une explosion du contenant et des blessures.

- Ne jamais obstruer les ouvertures des événements.
- Placement des grilles du four – Toujours placer les grilles du four à l'endroit désiré, lorsque le four est froid. Si la grille doit être déplacée lorsque le four est chaud, ne pas laisser des mitaines de four toucher l'élément chauffant dans le four.
- Remisage dans le four – Des matériaux inflammables ne doivent pas être remisés dans un four.
- NE PAS TOUCHER LES ÉLÉMENTS CHAUFFANTS OU LES SURFACES INTÉRIEURES DU FOUR – les éléments chauffants peuvent être chauds même s'ils ont une teinte foncée. Les surfaces intérieures de four deviennent assez chaudes pour causer des brûlures. Pendant et après l'utilisation, ne pas toucher ou laisser des vêtements ou autres matériaux inflammables venir en contact avec les éléments chauds ou les surfaces intérieures chaudes du four avant qu'ils aient eu assez de temps pour refroidir. D'autres surfaces du four peuvent devenir assez chaudes pour causer des brûlures. Ces surfaces comprennent les ouvertures de l'événement du four et la surface près de ces ouvertures, les portes du four, et les hublots des portes du four.

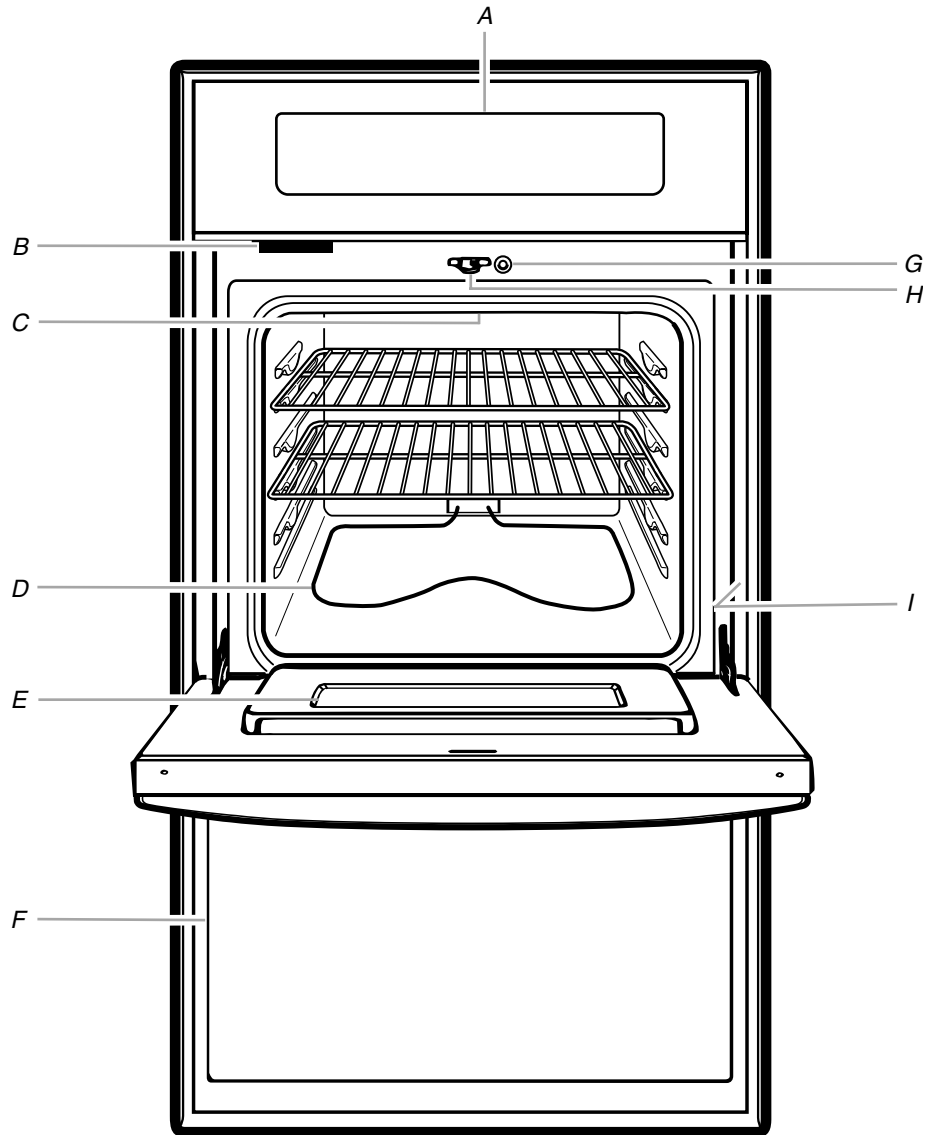
Fours autonettoyants :

- Ne pas nettoyer le joint de la porte – Le joint de la porte est essentiel pour l'étanchéité. Veiller à ne pas froter, endommager ou déplacer le joint.
- Ne pas utiliser les produits commerciaux de nettoyage de four – On ne doit pas utiliser un produit commercial de nettoyage de four ou un enduit de protection des surfaces internes du four quel qu'en soit le type, sur les surfaces du four ou les surfaces voisines.
- Nettoyer uniquement les pièces indiquées dans le manuel.
- Avant d'exécuter le programme d'autonettoyage du four, enlever la lèchefrite et sa grille et les autres ustensiles.

CONSERVEZ CES INSTRUCTIONS

PIÈCES ET CARACTÉRISTIQUES

Ce manuel couvre plusieurs modèles différents. Le four que vous avez acheté peut avoir certaines ou toutes les caractéristiques indiquées. Les emplacements et les apparences des caractéristiques illustrées ici peuvent ne pas correspondre à ceux de votre modèle.



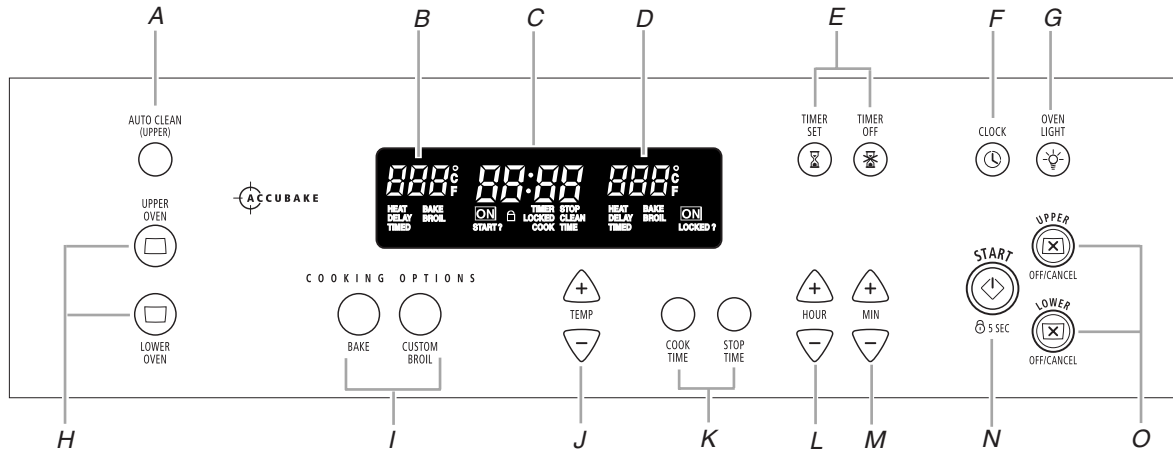
- A. Tableau de commande électronique
- B. Évent du four
- C. Élément de cuisson au gril
(non illustré)
- D. Élément de cuisson au four
- E. Hublot de la porte du four

- F. Four inférieur (voir le Guide d'utilisation et d'entretien séparé)
- G. Commutateur d'éclairage automatique du four
- H. Loquet de verrouillage du four
- I. Plaque des numéros de modèle et de série
(sur le rail de montage droit)

Pièces et caractéristiques non illustrées

- Lampes du four
- Lèche-frite et grille (sur certains modèles)

COMMANDE ÉLECTRONIQUE DU FOUR



A. Autonettoyage

B. Affichage de la température du four supérieur

C. Affichage électronique

D. Affichage de la température du four inférieur

E. Minuterie

F. Horloge

G. Lampe du four

H. Sélecteur du four

I. Réglages du four

J. Réglage de température

K. Cuisson minutée

L. Heure

M. Minute

N. Mise en marche (verrouillage des commandes)

O. Four supérieur - arrêt/annulation
Four inférieur - arrêt/annulation

Affichage

Lors de la mise sous tension initiale de l'appareil, tout s'allumera sur les deux affichages pendant 5 secondes. Puis, l'heure et "PF" apparaîtront sur l'affichage électronique du four.

Si "PF" apparaît à tout autre moment, une panne de courant s'est produite. Pour régler de nouveau l'horloge, appuyer sur UPPER OFF/CANCEL ou LOWER OFF/CANCEL sur les modèles de four double. Sur les modèles de four simple, appuyer sur OFF/CANCEL.

Affichage électronique

Lorsque le ou les fours sont en cours d'utilisation, cet affichage indique la température du four. Sur les modèles de four double, cet affichage indiquera aussi lequel des deux fours est en cours de réglage.

Appuyer sur UPPER OFF/CANCEL ou LOWER OFF/CANCEL et essayer de nouveau. Sur les modèles de four simple, appuyer sur OFF/CANCEL.

Lorsque le ou les fours ne sont pas en cours d'utilisation, l'affichage indique l'heure.

Mise en marche

La touche Start démarre toutes les fonctions du four à l'exception de la minuterie. Si l'on n'appuie pas sur la touche Start dans les 5 secondes après avoir appuyé sur une touche, "START?" apparaît sur l'afficheur du four à titre de rappel. Si on n'appuie pas sur la touche Start dans les 4 minutes après avoir appuyé sur une touche de fonction, l'affichage du four retourne au mode de l'heure et la fonction programmée est annulée.

Upper Off/Cancel (Four supérieur - Arrêt/annulation), Lower Off/Cancel (Four inférieur - Arrêt/annulation) ou Off/Cancel (Arrêt/annulation)

Les touches UPPER OFF/CANCEL, LOWER OFF/CANCEL et OFF/CANCEL arrêtent les fonctions des fours respectifs à l'exception de l'horloge, de la minuterie et du verrouillage des commandes.

Le ventilateur de refroidissement peut continuer à fonctionner même après qu'une fonction de four a été annulée, en fonction de la température du four.

Horloge

Cette horloge de 12 heures n'indique pas a.m. ou p.m.

Réglage :

Avant de verrouiller, s'assurer que les fours, la minuterie et la cuisson minutée sont désactivés.

1. Appuyer sur CLOCK (horloge).
2. Appuyer sur les touches HOUR ou MIN "+" ou "-" pour régler l'heure.
3. Appuyer sur CLOCK (horloge) ou START (mise en marche).

Pour enlever l'heure de l'affichage : Appuyer sur la touche CLOCK (horloge) pendant 5 secondes. Répéter pour réactiver l'affichage de l'heure. L'heure ne devrait pas nécessiter d'être réglée de nouveau.

Signaux sonores

Les signaux sonores indiquent ce qui suit :

Un signal sonore

- Appui sur une touche valide
- Four préchauffé
- Fonction entrée

Trois signaux sonores

- Appui sur une touche non valide

Quatre signaux sonores

- Fin du programme
- Signaux de rappel émis à intervalles de une minute après les signaux de fin de programme

Tous les signaux sonores

Tous les signaux sonores ci-dessus sont préréglés à marche, mais ils peuvent être désactivés.

Désactivation/activation : Appuyer sur STOP TIME pendant 5 secondes, un signal sonore est émis. Sur les fours doubles uniquement, "Snd OFF" et "Snd On" resteront affichés. Pour effacer l'affichage, appuyer sur UPPER OFF/CANCEL, LOWER OFF/CANCEL, ou OFF/CANCEL

Signaux sonores de rappel

Les signaux sonores de rappel de la minuterie et de la cuisson minutée sont préréglés à marche mais peuvent être désactivés. Les signaux sonores de rappel ne comprennent pas les signaux de fin de programme. Si tous les signaux sonores ont été désactivés, les signaux sonores de rappel ne peuvent être activés indépendamment.

Minuterie

Désactivation/activation des signaux sonores : Appuyer sur TIMER SET (réglage de la minuterie) jusqu'au signal sonore. L'affichage indique "TIMER" et "NA9 On" ou "TIMER" et "NA9 OFF". Pour effacer l'affichage, appuyer sur UPPER OFF/CANCEL, LOWER OFF/CANCEL ou OFF/CANCEL. Répéter pour réactiver la fonction.

Cuisson minutée

Désactivation/activation des signaux sonores : Appuyer sur COOK TIME (durée de cuisson) jusqu'au signal sonore. L'affichage présente "COOK TIME" et "NA9 OFF" ou "COOK TIME" et "NA9 On" pour indiquer le statut des signaux sonores de la durée de cuisson. Pour effacer l'affichage, appuyer sur UPPER OFF/CANCEL, LOWER OFF/CANCEL ou OFF/CANCEL. Répéter pour réactiver la fonction.

Fahrenheit et Celsius

La température est préréglée à Fahrenheit, mais elle peut être changée à Celsius.

Modification : Appuyer sur CUSTOM BROIL (cuisson au gril personnalisée) pendant 5 secondes. Un signal sonore se fera entendre et "C" apparaîtra sur l'affichage. Recommencer pour revenir à Fahrenheit. Pour effacer l'affichage, appuyer sur UPPER OFF/CANCEL, LOWER OFF/CANCEL ou OFF/CANCEL.

Minuterie

La minuterie peut être réglée en heures et minutes et procède à un compte à rebours de la durée réglée. La minuterie ne met pas en marche le four et ne l'éteint pas.

Réglage :

- Appuyer sur TIMER SET (réglage de la minuterie).
Si aucune fonction n'est entrée après 4 minutes, l'affichage électronique du four retourne au mode d'affichage de l'heure.
- Appuyer sur les touches HOUR ou MIN "+" ou "-" pour régler la durée.
- Appuyer sur TIMER SET (réglage de la minuterie) ou sur START (mise en marche).
Si l'on n'appuie pas sur la touche en moins de 4 minutes, l'afficheur retourne au mode d'affichage de l'heure et la fonction programmée est annulée.
À la fin de la durée réglée, si activés, des signaux sonores de fin de programme se font entendre, puis des signaux sonores de rappel suivront à intervalles de 1 minute.

- Appuyer sur TIMER OFF (arrêt minuterie) à tout moment pour annuler la minuterie et/ou arrêter les signaux de rappel.

Noter qu'il ne faut pas appuyer sur les touches Off/Cancel (arrêt/annulation) car le four correspondant s'éteindra.

La durée peut être réglée de nouveau durant le compte à rebours en répétant les étapes ci-dessus.

Verrouillage des commandes

Le verrouillage des commandes désactive les touches du tableau de commande pour empêcher l'utilisation non intentionnelle des fours.

Lorsque le tableau de commande est verrouillé, seules les touches CLOCK, TIMER SET, TIMER OFF et OVEN LIGHT fonctionnent.

Le verrouillage des commandes est préréglé désactivé, mais peut être activé.

Pour verrouiller/déverrouiller les commandes : Avant de verrouiller, s'assurer que les fours, la minuterie et la cuisson minutée sont désactivés. Appuyer sur START pendant environ 5 secondes jusqu'à l'émission d'un signal sonore unique; "Loc", une image de cadenas et "START?" apparaissent sur l'affichage du four. Répéter pour déverrouiller et effacer "Loc" de l'affichage.

Commande de la température du four

IMPORTANT : Ne pas utiliser un thermomètre pour mesurer la température du four car l'ouverture de la porte du four et le fonctionnement par intermittence de l'élément ou du brûleur peuvent donner des mesures incorrectes.

Le four fournit des températures précises; toutefois, il peut cuire plus rapidement ou plus lentement que votre ancien four, de sorte que le calibrage de la température peut être ajusté. Il peut être changé en degrés Fahrenheit ou en Celsius.

Un signe moins signifie que le four sera plus froid du nombre de degrés affiché. L'absence de signe moins signifie que le four sera plus chaud du nombre de degrés affiché. Utiliser le tableau suivant comme guide.

ADJUSTMENT °F (ADJUSTMENT °C)	CUIT LES ALIMENTS
10°F (5°C)	...un peu plus
20°F (10°C)	...modérément plus
30°F (15°C)	...beaucoup plus
-10°F (-5°C)	...un peu moins
-20°F (-10°C)	...modérément moins
-30°F (-15°C)	...beaucoup moins

Ajustement du calibrage de la température du four :

- Appuyer sur BAKE (cuisson au four) jusqu'à ce que l'affichage du four indique le calibrage courant, par exemple "0° CAL".
- Sur les modèles de four double uniquement, appuyer sur UPPER OVEN ou LOWER OVEN.
- Appuyer sur les touches TEMP "+" or "-" pour augmenter ou diminuer la température par tranches de 10°F (5°C). L'ajustement peut être réglé entre 30°F (15°C) et -30°F (-15°C).
- Appuyer sur START (mise en marche).

UTILISATION DU FOUR

Les odeurs et la fumée sont normales lorsque le four est utilisé pour les premières fois, ou lorsqu'il est très sale.

Lors de l'utilisation du four, les éléments chauffants ne resteront pas allumés, mais fonctionneront par intermittence lorsque le four est en marche.

IMPORTANT : La santé de certains oiseaux est extrêmement sensible aux émanations. L'exposition à ces émanations peut causer la mort de certains oiseaux. Toujours déplacer les oiseaux dans une autre pièce fermée et bien aérée.

Papier d'aluminium

IMPORTANT : Ne pas garnir le fond du four avec n'importe quel type de papier d'aluminium, garnitures ou ustensiles de cuisson car le fini du fond du four subira des dommages permanents.

- Ne pas recouvrir totalement la grille avec une feuille d'aluminium; l'air doit pouvoir circuler librement pour obtenir les meilleurs résultats de cuisson.
- Pour récupérer les renversements, placer une feuille de papier d'aluminium sur la grille sur laquelle le mets est placé. Veiller à ce qu'elle dépasse d'au moins 1/2" (1,3 cm) tout autour du plat et à ce que les bords soient relevés.

Positionnement des grilles et des ustensiles de cuisson

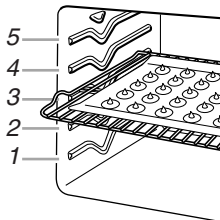
IMPORTANT : Pour éviter des dommages permanents au fini en porcelaine, ne pas placer d'aliments ou d'ustensiles de cuisson directement sur la porte ou le fond du four.

GRILLES

REMARQUES :

- Placer les grilles avant d'allumer le four.
- Ne pas déplacer les grilles lorsque des ustensiles de cuisson se trouvent dessus.
- S'assurer que les grilles sont de niveau.

Pour déplacer une grille, la tirer jusqu'à la butée d'arrêt, soulever le rebord avant et la tirer pour la sortir du four. Se servir de l'illustration et du tableau suivants comme guide.



ALIMENTS	POSITION DE LA GRILLE
Tartes congelées, gros rôtis, dindes, gâteaux des anges	1 ou 2
Gâteaux Bundt, la plupart des pains éclairs, pains à la levure, mets en sauce et viandes	2
Biscuits, muffins, gâteaux et tartes non congelées	2 ou 3

USTENSILES DE CUISSON

L'air chaud doit pouvoir circuler autour de l'aliment pour le cuire uniformément. Laisser 2" (5 cm) entre les ustensiles de cuisson et les parois du four. Se servir du tableau suivant comme guide.

NOMBRE DE PLAT(S)	POSITION SUR LA GRILLE
1	Centre de la grille.
2	Côte à côte ou légèrement décalés.
3 ou 4	Dans les coins opposés sur chaque grille. S'assurer qu'aucun ustensile de cuisson ne se trouve directement au-dessus d'un autre.

Ustensiles de cuisson

Le matériau des ustensiles de cuisson affecte les résultats de cuisson. Suivre les recommandations du fabricant et utiliser le format d'ustensiles recommandé dans la recette. Se servir du tableau suivant comme guide.

USTENSILES DE CUISSON/ RÉSULTATS	RECOMMANDATIONS
Aluminium légèrement coloré <ul style="list-style-type: none"> ■ Croûtes légèrement dorées ■ Brunissage uniforme 	<ul style="list-style-type: none"> ■ Utiliser la température et la durée recommandées dans la recette.
Aluminium foncé et autres ustensiles de cuisson avec fini foncé, terne et/ ou antiadhésif <ul style="list-style-type: none"> ■ Croûtes brunes, croustillantes 	<ul style="list-style-type: none"> ■ Peut nécessiter de réduire les températures de cuisson de 25°F (15°C). ■ Utiliser la durée de cuisson suggérée. ■ Pour les tartes, pains et mets en sauce, utiliser la température recommandée dans la recette. ■ Placer la grille au centre du four.
Tôles à biscuits ou moules à cuisson à isolation thermique <ul style="list-style-type: none"> ■ Brunissage faible ou non existant à la base 	<ul style="list-style-type: none"> ■ Placer à la troisième position au bas du four. ■ Peut nécessiter d'augmenter le temps de cuisson.
Acier inoxydable <ul style="list-style-type: none"> ■ Croûtes dorées, légères ■ Brunissage inégal 	<ul style="list-style-type: none"> ■ Peut nécessiter d'augmenter le temps de cuisson.

USTENSILES DE CUISSON/ RÉSULTATS

**Plats en grès/
Pierre de cuisson** ■ Suivre les instructions du fabricant.

■ Croûtes
croustillantes

**Plats en verre,
vitrocéramique
ou céramique
allant au four** ■ Peut nécessiter de réduire la
température de cuisson de
25°F (15°C).

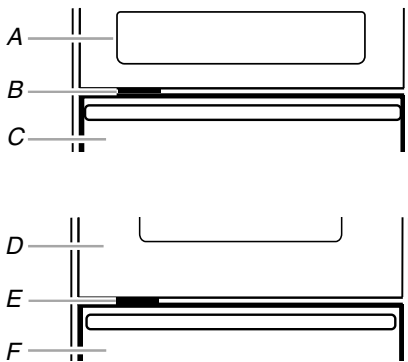
■ Croûtes
brunes,
croustillantes

Thermomètre à viande

Sur les modèles sans sonde thermométrique, toujours se servir d'un thermomètre à viande pour vérifier la cuisson de la viande ou de la volaille. C'est la température interne qui importe et non l'apparence. Il n'y a pas de thermomètre à viande fourni avec cet appareil.

- Insérer le thermomètre au centre de la partie la plus épaisse de la viande ou à l'intérieur de la cuisse ou de la poitrine de la volaille. La pointe du thermomètre ne doit pas toucher le gras, l'os ou le cartilage.
- Après une première lecture, enfoncer ½" (1,3 cm) de plus et faire une autre lecture. Si la température est plus basse, faire cuire la viande ou la volaille plus longtemps.
- Vérifier toute viande à 2 ou 3 endroits.

Évent du four



Single Oven

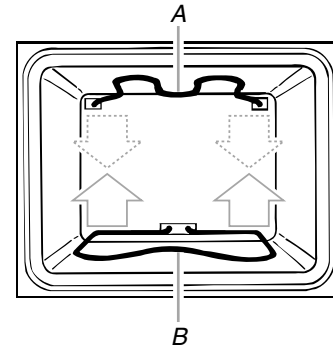
A. Tableau de commande
B. Évent du four
C. Four inférieur

Double Oven

D. Four supérieur
E. Évent du four
F. Four inférieur

Ne pas obstruer ni couvrir l'évent du four car il permet à l'air chaud et à l'humidité de s'échapper du four. Son obstruction nuirait à la circulation adéquate de l'air et affecterait les résultats de cuisson et de nettoyage. Ne pas placer près de l'évent du four des produits en plastique, en papier ou autres articles qui pourraient fondre ou brûler.

Cuisson au four et rôtissage



A. Élément de cuisson au grill
B. Élément de cuisson au four

Système de gestion de la température ACCUBAKE® (sur certains modèles)

Le système ACCUBAKE® règle électroniquement les niveaux de chaleur du four pendant le préchauffage et la cuisson au four pour maintenir une gamme de températures précises pour des résultats de cuisson optimaux. Les éléments de cuisson au four et du grill s'allument et s'éteignent par intermittence. L'élément de cuisson au four devient rouge lorsque le programme est activé, mais pas l'élément du grill. Cette caractéristique est automatiquement activée lorsque le four est utilisé.

Avant la cuisson au four et le rôtissage, placer les grilles tel qu'indiqué à la section "Positionnement des grilles et des ustensiles de cuisson". Lors du rôtissage, il n'est pas nécessaire d'attendre que la durée de préchauff du four soit écoulée avant de placer l'aliment au four, excepté si la recette le recommande.

Si la porte du four est ouverte durant la cuisson au four et le rôtissage, les éléments de cuisson au four et de cuisson au grill s'éteindront immédiatement. Ces éléments reviendront en fonction lorsque la porte sera fermée.

Cuisson au four ou rôtissage :

1. Sur les modèles à double four seulement, appuyer sur UPPER OVEN (four supérieur) ou LOWER OVEN (four inférieur).
Fermer la porte du four. L'affichage indiquera "door" et les éléments de chauffage ne chaufferont pas si la porte est ouverte durant la cuisson au four et le rôtissage.
2. Appuyer sur BAKE (cuisson au four).
Appuyer sur la touche fléchée TEMP "plus" (+) ou "moins" (-) pour entrer une température autre que 350°F (177°C). La température de cuisson au four peut être réglée entre 170°F et 500°F (77°C et 260°C).
3. Appuyer sur START (mise en marche).
Une durée de préchauffage fera l'objet d'un compte à rebours et "PrE" apparaîtra sur l'affichage du four si la température réelle du four est inférieure à 170°F (77°C).
Lorsque la température réelle atteint 170°F (77°C), la minuterie poursuivra le compte à rebours. Le réglage de la température peut être modifié en tout temps après avoir appuyé sur START.
Lorsque la température réglée est atteinte, un signal sonore (si activé) se fait entendre.
4. Appuyer sur UPPER OFF/CANCEL (arrêt du four supérieur), LOWER OFF/CANCEL (arrêt du four inférieur) ou OFF/CANCEL (arrêt/annulation) lorsque la cuisson est terminée.

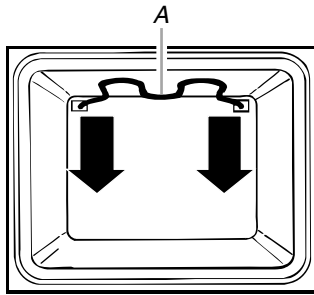
Préchauffage

Après que l'on a appuyé sur START, le four commence un préchauffage de conditionnement minuté. "PrE" et la durée du compte à rebours apparaissent sur l'afficheur. À la fin du préchauffage de conditionnement, un signal sonore se fait entendre et la température sélectionnée apparaît sur l'afficheur.

Les températures de préchauffage sont affectées par divers facteurs tels que la température ambiante et les heures de pointe de consommation d'énergie. Il est normal que la température indiquée sur l'affichage diffère de la température réelle du four.

On recommande d'attendre encore 10 minutes après la fin de la durée de préchauffage de conditionnement avant de mettre les aliments au four lorsqu'on fait cuire des aliments comportant des levains tels que levure de bière, poudre à lever, bicarbonate de soude et oeufs.

Cuisson au gril et cuisson au gril personnalisée



A. Élément de cuisson au gril

La cuisson au gril utilise une chaleur radiante directe pour cuire les aliments. Durant la cuisson au gril, l'élément de cuisson au gril s'allume et s'éteint par intermittence pour maintenir la température du four.

En cas d'ouverture de la porte durant la cuisson au gril, l'élément du gril s'éteint immédiatement et se rallume dès la fermeture de la porte.

- Pour de meilleurs résultats, utiliser une lèchefrite et une grille. Elles sont conçues pour laisser s'écouler les jus et empêcher les éclaboussures et la fumée.

Il est possible de commander une lèchefrite si votre modèle n'en comporte pas. Voir la section "Assistance ou service" pour placer une commande. Demandez la pièce numéro 4396923.

- Pour un écoulement approprié, ne pas couvrir la grille avec du papier d'aluminium. Le fond de la lèchefrite peut être garni de papier d'aluminium pour faciliter le nettoyage.
- Enlever l'excès de gras pour réduire les éclaboussures. Entailler le gras qui reste pour l'empêcher de se cintrer.
- Retirer la grille jusqu'à la butée d'arrêt avant de tourner ou d'enlever les aliments. Utiliser des pinces pour tourner les aliments afin d'éviter la perte de jus. Des coupes très minces de poisson, volaille ou viande peuvent ne pas nécessiter d'être tournées.

- Après la cuisson au gril, retirer la lèchefrite lors de l'enlèvement de l'aliment. Des résidus de graisse cuiront sur la lèchefrite si on laisse celle-ci dans un four encore chaud, ce qui rend le nettoyage plus difficile.

Cuisson au gril :

Avant la cuisson au gril ou avant la cuisson au gril personnalisée, placer la grille conformément au tableau de cuisson au gril.

Placer l'aliment sur la grille de la lèchefrite, puis placer la lèchefrite au centre de la grille du four, le côté le plus long parallèle à la porte du four. Il n'est pas nécessaire de préchauffer le four avant d'y mettre l'aliment, excepté si la recette le recommande.

Fermer la porte.

1. Sur les modèles à double four seulement, appuyer sur UPPER OVEN (four supérieur) ou LOWER OVEN (four inférieur).
2. Appuyer sur CUSTOM BROIL (cuisson au gril personnalisée).
3. Appuyer sur START (mise en marche).

La température du four réglée apparaîtra sur l'affichage du four jusqu'à ce que le four soit éteint.

4. Appuyer sur UPPER OFF/CANCEL (arrêt/annulation du four supérieur), LOWER OFF/CANCEL (arrêt/annulation du four inférieur) ou OFF/CANCEL (arrêt/annulation) lorsque la cuisson est terminée.

Cuisson au gril personnalisée :

Le changement de température lors de la cuisson au gril personnalisée permet un contrôle plus précis de la cuisson. Plus la température est basse, plus la cuisson est lente. Les coupes plus épaisses et les aliments et les pièces de viande, de poisson et de volaille de forme inégale peuvent mieux cuire à des températures de cuisson plus basses.

1. Sur les modèles à double four seulement, appuyer sur UPPER OVEN (four supérieur) ou LOWER OVEN (four inférieur).
2. Appuyer sur CUSTOM BROIL (cuisson au gril personnalisée).
3. Appuyer sur la touche fléchée TEMP "plus" (+) ou "moins" (-) pour entrer une température autre que 500°F (260°C). La température de cuisson au gril peut être réglée entre 170°F et 500°F (77°C et 260°C).
4. Appuyer sur START (mise en marche).

La température du four réglée apparaîtra sur l'affichage du four jusqu'à ce que le four soit éteint.

5. Appuyer sur UPPER OFF/CANCEL (arrêt/annulation du four supérieur), LOWER OFF/CANCEL (arrêt/annulation du four inférieur) ou OFF/CANCEL (arrêt/annulation) lorsque la cuisson est terminée.

TABLEAU DE CUISSON AU GRIL

Pour obtenir les meilleurs résultats, placer l'aliment à au moins 3" (7 cm) de l'élément de cuisson au grill. Les durées de cuisson indiquées sont seulement des recommandations et peuvent être ajustées selon les goûts individuels. Les positions recommandées de la grille sont indiquées de la base (1) jusqu'en haut (5). Pour un dessin, voir la section "Positionnement des grilles et ustensiles de cuisson".

ALIMENTS	POSITION DE LA GRILLE	DURÉE DE CUISSON (minutes)	
		CÔTÉ 1	CÔTÉ 2
Bifteck			
1" (2,5 cm) d'épaisseur saignant-à point	4	14-15	7-8
à point	4	15-16	8-9
bien cuit	4	18-19	9-10
Galettes de viande hachée*			
¾" (2 cm) d'épaisseur bien cuites	4	13-14	7-8
Côtelettes de porc			
1" (2,5 cm) d'épaisseur	4	20-22	10-11
Tranche de jambon précuit			
½" (1,25 cm) d'épaisseur	4	8-10	4-5
Saucisses de Francfort	4	5-7	3-4
Côtelettes d'agneau			
1" (2,5 cm) d'épaisseur	4	14-17	8-9
Poulet			
morceaux avec os	3	17-20	17-20
poitrines désossées	4	11-16	11-16
Filets de poisson			
¼-½" (0,6-1,25 cm) d'épaisseur	4	8-10	4-5
Darnes de poisson			
¾-1" (2-2,5 cm) d'épaisseur	4	16-18	8-9

*Placer jusqu'à 12 galettes, également espacées sur la grille de la lèchefrite.

Cuisson minutée

AVERTISSEMENT

Risque d'empoisonnement alimentaire

Ne pas laisser des aliments dans un four plus d'une heure avant ou après la cuisson.

Le non-respect de cette instruction peut causer un empoisonnement alimentaire ou une maladie.

La cuisson minutée permet d'allumer le four à une certaine heure de la journée, de faire cuire pendant une durée réglée et/ou d'éteindre le four automatiquement.

Réglage d'une durée de cuisson :

1. Sur les modèles à double four seulement, appuyer sur UPPER OVEN (four supérieur) ou LOWER OVEN (four inférieur).
2. Appuyer sur BAKE (cuisson au four) ou CUSTOM BROIL (cuisson personnalisée au grill). Appuyer sur les touches numériques pour entrer une température autre que celle qui est affichée.
3. Appuyer sur COOK TIME (durée de cuisson).
4. Appuyer sur les touches à flèche HOUR et MIN "plus" (+) ou "moins" (-), pour entrer la durée de cuisson.
5. Appuyer sur START (mise en marche).

Le compte à rebours de l'heure de mise en marche et d'arrêt apparaît sur l'afficheur.

Sur les modèles à double four seulement, lorsque les fours inférieur et supérieur fonctionnent en même temps, appuyer sur UPPER OVEN ou LOWER OVEN pour afficher la durée de cuisson respective.

Lorsque l'heure d'arrêt est atteinte, le four s'arrête automatiquement et "End" (fin) apparaît sur l'afficheur du four.

Si activés, les signaux sonores de fin de programme se font entendre, suivis des signaux de rappel à intervalles de 1 minute.

6. Appuyer sur UPPER OFF/CANCEL (arrêt/annulation du four supérieur), LOWER OFF/CANCEL (arrêt/annulation du four inférieur) ou OFF/CANCEL (arrêt/annulation) ou ouvrir la porte du four pour effacer l'affichage et/ou arrêter les signaux de rappel.

Réglage de la durée de cuisson et de l'heure d'arrêt :

Avant le réglage, s'assurer que l'horloge est réglée à l'heure exacte. Voir la section "Horloge".

1. Sur les modèles à double four seulement, appuyer sur UPPER OVEN (four supérieur) ou LOWER OVEN (four inférieur).
2. Appuyer sur BAKE (cuisson au four) ou CUSTOM BROIL (cuisson personnalisée au grill). Appuyer sur la touche à flèche TEMP "plus" (+) ou "moins" (-) pour entrer une température autre que celle qui est affichée.
3. Appuyer sur COOK TIME (durée de cuisson).
4. Appuyer sur les touches à flèche HOUR et MIN "plus" (+) ou "moins" (-), pour entrer la durée de cuisson.
5. Appuyer sur STOP TIME (heure de mise en marche différée)

Lorsque l'heure d'arrêt est atteinte, le four s'arrête automatiquement et "End" (fin) apparaît sur l'afficheur du four.

Si activés, les signaux sonores de fin de programme se font entendre, suivis des signaux de rappel à intervalles de 1 minute.

6. Appuyer sur START (mise en marche). L'heure de mise en marche est calculée et affichée automatiquement. "TIMED", "DELAY" et l'heure d'arrêt apparaissent aussi sur l'afficheur.

Lorsque l'heure de mise en marche est atteinte, le four s'allume automatiquement. Le compte à rebours s'affiche.

7. Appuyer sur UPPER OFF/CANCEL (arrêt/annulation du four supérieur), LOWER OFF/CANCEL (arrêt/annulation du four inférieur) ou OFF/CANCEL (arrêt/annulation) ou ouvrir la porte du four pour effacer l'affichage et/ou arrêter les signaux de rappel.

ENTRETIEN DU FOUR

Programme d'autonettoyage (sur certains modèles)

AVERTISSEMENT



Risque de brûlures

Ne pas toucher le four au cours du programme d'autonettoyage.

Garder les enfants loin du four au cours du programme d'autonettoyage.

Le non-respect de ces instructions peut causer des brûlures.

IMPORTANT : La santé de certains oiseaux est très sensible aux émanations qui surviennent durant le programme d'autonettoyage. L'exposition aux émanations peut entraîner la mort de certains oiseaux. Toujours déplacer les oiseaux dans une autre pièce fermée et bien aérée.

Procéder à l'autonettoyage du four avant qu'il ne devienne très sale. Les saletés intenses nécessitent un nettoyage plus long et dégagent plus de fumée.

Veiller à ce que la cuisine soit bien aérée pendant le programme d'autonettoyage afin d'aider à éliminer la chaleur, les odeurs et la fumée.

Ne pas obstruer le ou les événements du four durant le programme d'autonettoyage. L'air doit pouvoir circuler librement. Selon votre modèle, voir la section "Évent du four" ou "Événements du four".

Ne pas nettoyer, frotter, endommager ou déplacer le joint d'étanchéité de la porte du four. Le joint de la porte est essentiel pour une bonne étanchéité.

Préparation du four :

- Sortir du four la lèchefrite, la grille et les ustensiles de cuisson au four et, sur certains modèles, la sonde thermométrique.
- Enlever tout papier d'aluminium du four ; celui-ci risquerait de brûler ou de fondre et d'endommager le four.
- Sortir les grilles du four pour les garder brillantes et pour qu'elles glissent facilement. Voir la section "Nettoyage général" pour plus de renseignements.
- Nettoyer manuellement l'intérieur de la porte et une zone de 1½" (3,8 cm) sur le pourtour du cadre de la cavité du four, en prenant soin de ne pas déplacer ni plier le joint d'étanchéité. Cette section ne devient pas assez chaude au cours du programme d'autonettoyage pour pouvoir éliminer la saleté. Ne pas laisser de l'eau, un nettoyant, etc. pénétrer dans les fentes du cadre de la porte. Nettoyer avec un chiffon humide.
- Essuyer toute saleté décollée afin de réduire la fumée et d'éviter les dommages. À des températures élevées, les aliments réagissent avec la porcelaine. Cette réaction peut causer des taches, des attaques, des piqûres ou de légères taches blanches. Ceci n'affectera pas la performance de cuisson.

Comment fonctionne le programme :

IMPORTANT : Le chauffage et le refroidissement de la porcelaine sur l'acier dans le four peuvent causer une décoloration, une perte de fini luisant, des fissures minuscules et des sons saccadés.

Le programme d'autonettoyage utilise des températures très élevées, en brûlant les saletés pour les réduire en cendre.

Le four est préréglé pour un programme de nettoyage de 3 h 30 minutes, mais la durée peut être changée. Les durées de nettoyage suggérées sont de 2 h 30 minutes pour des saletés légères et entre 3 h 30 minutes et 4 h 30 minutes pour des saletés moyennes à abondantes.

Lorsque le four est complètement refroidi, retirer la cendre avec un chiffon humide. Ne pas essuyer les surfaces internes avant que le four ait complètement refroidi. Un chiffon humide et froid appliqué sur la surface interne du hublot de la porte avant le refroidissement complet risque de briser le verre.

La lampe du four ne fonctionnera pas durant le programme d'autonettoyage.

Sur les modèles combinés, le four supérieur ne fonctionnera pas durant le programme d'autonettoyage.

Pour les fours doubles seulement, s'assurer de régler les commandes appropriées pour le four (supérieur ou inférieur) qu'on souhaite utiliser.

Autonettoyage :

Avant l'autonettoyage, s'assurer que la porte est complètement fermée sinon elle ne se verrouillera pas et le programme ne commencera pas.

1. Appuyer sur AUTO CLEAN (autonettoyage).
2. Appuyer sur la touche à flèche HOUR "plus" (+) ou "moins" (-) pour établir une durée de nettoyage autre que 3 h 30 minutes. La durée de nettoyage peut être réglée entre 2 h 30 minutes et 4 h 30 minutes.
3. Appuyer sur START (mise en marche).

La porte du four inférieur se verrouillera automatiquement. "LOCKED" (porte verrouillée) apparaîtra sur l'afficheur du four. La porte ne se déverrouillera pas avant que le four n'ait refroidi.

Lorsque le programme est terminé et le four a refroidi, "End" (fin) apparaîtra sur l'afficheur du four et "LOCKED" (porte verrouillée) s'effacera.

4. Appuyer sur UPPER OFF/CANCEL (arrêt du four supérieur), LOWER OFF/CANCEL (arrêt du four inférieur) ou OFF/CANCEL (arrêt/annulation) ou ouvrir la porte du four pour effacer l'affichage.

Pour différer l'autonettoyage :

Avant de retarder la mise en marche de l'autonettoyage, s'assurer que l'horloge est réglée à la bonne heure du jour. Voir la section "Horloge". S'assurer également que la porte est complètement fermée sinon elle ne se verrouillera pas et le programme ne commencera pas.

1. Appuyer sur AUTO CLEAN (autonettoyage). Appuyer sur la touche à flèche HOUR "plus" (+) ou "moins" (-) pour établir une durée de nettoyage autre que 3 h 30 minutes. La durée de nettoyage peut être réglée entre 2 h 30 minutes et 4 h 30 minutes.
2. Appuyer sur STOP TIME (heure d'arrêt).
3. Appuyer sur les touches à flèches HOUR et MIN "plus" (+) ou "moins" (-) pour entrer l'heure d'arrêt.

4. Appuyer sur START (mise en marche).

L'heure de mise en marche est automatiquement calculée et affichée.

La porte se verrouillera automatiquement et "LOCKED" (porte verrouillée), "DELAY" (délai), apparaîtront sur l'afficheur. La porte ne se déverrouillera pas avant que le four ait refroidi.

Lorsque l'heure de mise en marche sera atteinte, le four s'allumera automatiquement.

Lorsque le programme est terminé et le four a refroidi, "End" (fin) apparaîtra sur l'afficheur du four inférieur et "LOCKED" (porte verrouillée) s'effacera.

5. Appuyer sur n'importe quelle touche ou ouvrir la porte du four pour effacer l'affichage.

Pour arrêter le programme d'autonettoyage à tout moment :

Appuyer sur UPPER OFF/CANCEL (arrêt du four supérieur), LOWER OFF/CANCEL (arrêt du four inférieur) ou OFF/CANCEL (arrêt/annulation). Si la température du four est trop élevée, la porte demeurera verrouillée. Elle ne se déverrouillera pas jusqu'à ce que le four ait refroidi.

Nettoyage général

IMPORTANT : Avant le nettoyage, s'assurer que toutes les commandes sont éteintes et que le four est froid. Toujours suivre les instructions sur les étiquettes des produits de nettoyage.

Du savon, de l'eau et un chiffon doux ou une éponge sont recommandés à moins d'indication contraire.

ACIER INOXYDABLE (sur certains modèles)

Méthode de nettoyage :

Frotter dans le sens du grain pour éviter d'endommager le fini.

- Nettoyant et poli pour acier inoxydable - Pièce n° 31462B (non inclus) :
Voir la section "Assistance ou service" pour placer une commande.
- Détergent liquide ou nettoyant tout-usage :
Rincer à l'eau propre et sécher avec un chiffon doux sans charpie.
- Vinaigre pour les taches d'eau dure.

Ne pas utiliser de tampons de récurage savonneux, nettoyants abrasifs, crème à polir pour table de cuisson, tampons en laine d'acier, chiffons de lavage rudes ou certains essuie-tout sur les surfaces en acier inoxydable. Des dommages peuvent survenir.

EXTÉRIEUR DE LA PORTE DU FOUR

Méthode de nettoyage :

- Nettoyant à vitre et chiffon doux ou éponge :
Appliquer le nettoyant à vitre sur un chiffon doux ou une éponge, et non pas directement sur le tableau.
- Nettoyant tout-usage pour appareil ménager - Pièce n° 31662B (non inclus) :
Voir la section "Assistance ou service" pour placer une commande.

TABLEAU DE COMMANDE

Méthode de nettoyage :

- Nettoyant à vitre et chiffon doux ou éponge :
Appliquer le nettoyant à vitre sur un chiffon doux ou une éponge, et non pas directement sur le tableau.

- Nettoyant tout-usage pour appareil ménager - Pièce n° 31662B (non inclus) :

Voir la section "Assistance ou service" pour placer une commande.

Ne pas utiliser des nettoyants abrasifs, tampons en laine d'acier, chiffons de lavage rudes ou certains essuie-tout en papier. Des dommages peuvent survenir.

CAVITÉ DU FOUR

Ne pas utiliser les nettoyants à four.

Les renversements d'aliments devraient être nettoyés lorsque le four est refroidi. Aux températures élevées, les aliments affectent la porcelaine et des taches, éclats, piqûres ou marques blanchâtres peuvent survenir.

Méthode de nettoyage :

- Programme d'autonettoyage :
Voir d'abord "Programme d'autonettoyage".

GRILLES DU FOUR ET DE RÔTISSAGE

Méthode de nettoyage :

- Programme d'autonettoyage :
Voir d'abord "Programme d'autonettoyage". Il faut ôter les grilles sinon elles se décolorent et deviendront plus difficiles à faire glisser. Après le nettoyage, un léger revêtement d'huile végétale appliqué sur les glissières des grilles les aidera à mieux glisser.
- Tampon en laine d'acier

LÈCHEFRITE ET GRILLE (sur certains modèles)

Ne pas nettoyer au programme d'autonettoyage.

Méthode de nettoyage :

- Nettoyant légèrement abrasif :
Frotter avec un tampon à récurer mouillé.
- Solution de ½ tasse (125 mL) d'ammoniaque pour 1 gal. (3,75 L) d'eau :
Laisser tremper pendant 20 minutes, ensuite frotter avec un tampon à récurer ou en laine d'acier.
- Nettoyant pour four :
Suivre le mode d'emploi sur l'étiquette du produit.

Émail vitrifié seulement, non le chrome

- Lave-vaisselle

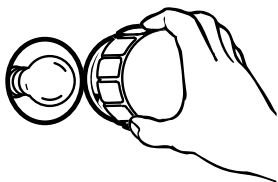
Lampes du four

Les lampes du four ont des ampoules d'appareil ménager standard de 15 watts. Elles s'allument lorsque la porte du four est ouverte. Sur les modèles à four supérieur et inférieur autonettoyants, toutes les lampes s'allument lorsque l'une des portes est ouverte. Sur les modèles à double four où le four inférieur est à nettoyage ordinaire, les lampes du four ne s'allument pas lorsque la porte du four inférieur est ouverte. Les lampes du four ne fonctionneront pas durant le programme d'autonettoyage. Lorsque la porte du four est fermée, appuyer sur OVEN LIGHT (lampe du four) pour les allumer ou les éteindre.

Remplacement :

Avant le remplacement, s'assurer que le four est éteint et froid.

1. Déconnecter la source de courant électrique.
2. Tourner le couvercle en verre de l'ampoule au fond du four dans le sens antihoraire pour l'enlever.



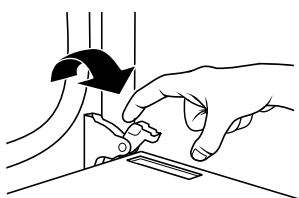
3. Tourner l'ampoule dans le sens antihoraire pour l'enlever de la douille.
4. Replacer l'ampoule et le couvercle de l'ampoule en les tournant dans le sens horaire.
5. Reconnecter la source de courant électrique.

Porte du four

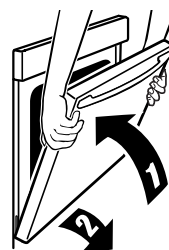
Il n'est pas recommandé d'enlever la porte du four pour une utilisation normale. Toutefois, s'il est nécessaire de l'enlever, s'assurer que le four est éteint et froid. Puis suivre ces instructions. La porte du four est lourde.

Enlèvement :

1. Ouvrir la porte du four complètement.
2. Relever le verrou de charnière de chaque côté.



3. Fermer la porte du four le plus complètement possible.
 4. Soulever la porte du four tout en la retenant de chaque côté avec les deux mains.
- Continuer de maintenir la porte du four fermée et l'éloigner du châssis de la porte du four.



Réinstallation :

1. Insérer les deux bras de suspension dans la porte.



2. Ouvrir la porte du four.
Vous devriez entendre un déclic alors que la porte est mise en place.
3. Remettre les leviers des charnières à la position verrouillée. S'assurer que la porte peut s'ouvrir et se fermer. Sinon, répéter les procédés d'enlèvement et d'installation.

DÉPANNAGE

Essayer les solutions suggérées ici d'abord afin d'éviter le coût d'une visite de service non nécessaire.

Rien ne fonctionne

- **Un fusible est-il grillé ou le disjoncteur s'est-il déclenché?**
Remplacer le fusible ou réenclencher le disjoncteur. Si le problème persiste, appeler un électricien.
- **L'appareil est-il correctement raccordé?**
Voir les instructions d'installation.

Le four ne fonctionne pas

- **La commande électronique du four est-elle correctement réglée?**
Voir la section "Commande électronique du four".
- **Une mise en marche différée a-t-elle été réglée?**
Voir la section "Cuisson minutée".
- **Sur certains modèles, le verrouillage des commandes est-il réglé?**
Voir la section "Verrouillage des commandes".
- **Sur certains modèles, le mode Sabbat est-il réglé?**
Voir la section "Mode Sabbat".

- **Sur les modèles à double four, un des fours est-il en train d'effectuer un programme d'autonettoyage?**
Lorsqu'un four effectue un programme d'autonettoyage, l'autre four ne peut pas être réglé ou allumé.
- **Pour les modèles à double four, a-t-on sélectionné le bon four?**
Choisir d'abord UPPER OVEN (four supérieur) ou LOWER OVEN (four inférieur).

La température du four est trop élevée ou trop basse

- **Le calibrage de la température du four a-t-il besoin d'être ajusté?**
Voir la section "Commande de la température du four".

L'affichage indique des messages

- **L'affichage indique-t-il "PF", "PF id=27" ou "PF id=30"?**
Une panne de courant est survenue. Effacer l'affichage. Voir la section "Affichage(s)". Sur certains modèles, régler de nouveau l'horloge au besoin. Voir la section "Horloge".

- **L'affichage indique-t-il une lettre suivie d'un chiffre?**
Effacer l'affichage. Voir la section "Affichage(s)". S'il réapparaît, faire un appel de service. Voir la section "Assistance ou service".

Le programme d'autonettoyage ne fonctionne pas

- **La porte du four est-elle ouverte?**
Fermer la porte du four complètement.
- **La fonction a-t-elle été entrée?**
Voir la section "Programme d'autonettoyage".
- **Sur certains modèles, un programme d'autonettoyage à mise en marche différée a-t-il été réglé?**
Voir la section "Programme d'autonettoyage".
- **Une mise en marche différée a-t-elle été réglée?**
Voir la section "Cuisson minutée".
- **Sur les modèles à double four, un des fours est-il en train d'effectuer un programme d'autonettoyage?**
Lorsqu'un four effectue un programme d'autonettoyage, l'autre four ne peut pas être réglé pour un programme d'autonettoyage.

Les résultats de cuisson au four ne sont pas les résultats prévus

- **L'appareil est-il d'aplomb?**
Mettre l'appareil d'aplomb. Voir les instructions d'installation.
- **La température correcte est-elle réglée?**
Contre-vérifier la recette dans un livre de recettes fiable.

- **La température correcte du four est-elle réglée?**
Voir la section "Commande de la température du four".
- **Le four a-t-il été préchauffé?**
Voir la section "Cuisson au four et rôtissage".
- **Utilise-t-on un ustensile de cuisson au four approprié?**
Voir la section "Ustensiles de cuisson au four".
- **Les grilles sont-elles en bonne position?**
Voir la section "Positionnement des grilles et ustensiles de cuisson".
- **Existe-t-il une circulation d'air appropriée autour des ustensiles de cuisson?**
Voir la section "Positionnement des grilles et ustensiles de cuisson".
- **La pâte est-elle distribuée uniformément dans le plat?**
Vérifier que la pâte est répartie uniformément dans le plat.
- **Utilise-t-on une durée de cuisson appropriée?**
Ajuster la durée de cuisson.
- **La porte a-t-elle été ouverte pendant la cuisson?**
L'ouverture de la porte pour vérifier la cuisson laisse la chaleur du four s'échapper et peut nécessiter des durées de cuisson plus longues.
- **Les articles cuits au four sont-ils trop bruns à la base?**
Déplacer la grille à une position plus élevée dans le four.
- **Les bords des croûtes de tarte ont-ils brunis trop tôt?**
Utiliser du papier d'aluminium pour couvrir le bord de la croûte et/ou réduire la température de cuisson du four.

ASSISTANCE OU SERVICE

Avant de faire un appel pour assistance ou service, consulter la section "Dépannage". Ce guide peut vous faire économiser le coût d'une visite de service. Si vous avez encore besoin d'aide, suivre les instructions ci-dessous.

Lors d'un appel, veuillez connaître la date d'achat, le numéro de modèle et le numéro de série au complet de l'appareil. Ces renseignements nous aideront à mieux répondre à votre demande.

Si vous avez besoin de pièces de rechange

Si vous avez besoin de commander des pièces de rechange, nous vous recommandons d'employer uniquement des pièces de rechange FSP®. Les pièces de rechange FSP® conviendront et fonctionneront bien parce qu'elles sont fabriquées avec la même précision utilisée dans la fabrication de chaque nouvel appareil WHIRLPOOL®.

Pour obtenir des pièces de rechange FSP® dans votre région, nous contacter ou appeler le Centre de service désigné de Whirlpool le plus proche.

Veuillez appeler sans frais le Centre d'interaction avec la clientèle de Whirlpool Canada LP au : **1-800-807-6777**.

Nos consultants vous renseigneront sur les sujets suivants :

- Caractéristiques et spécifications sur toute notre gamme d'appareils électroménagers.
- Consignes d'utilisation et d'entretien.
- Ventes d'accessoires et pièces de rechange.
- Références aux marchands locaux, aux distributeurs de pièces de rechange et aux compagnies de service. Les techniciens de service désignés par Whirlpool Canada LP sont formés pour remplir la garantie des produits et fournir un service après la garantie, partout au Canada.

Pour plus d'assistance

Si vous avez besoin de plus d'assistance, vous pouvez soumettre par écrit toute question ou préoccupation à Whirlpool Canada LP à l'adresse suivante :

Centre d'interaction avec la clientèle
Whirlpool Canada LP
1901 Minnesota Court
Mississauga, Ontario L5N 3A7

Veuillez inclure dans votre correspondance un numéro de téléphone où on peut vous joindre dans la journée.

Nettoyant et poli pour acier inoxydable

(modèles en acier inoxydable)
Commander la pièce n° 31462B

Nettoyant tout-usage pour appareils ménagers

Commander la pièce n° 31662B

GARANTIE DES GROS APPAREILS MÉNAGERS WHIRLPOOL CORPORATION

GARANTIE LIMITÉE DE UN AN

Pendant un an à compter de la date d'achat, lorsque ce gros appareil ménager est utilisé et entretenu conformément aux instructions jointes à ou fournies avec le produit, Whirlpool Corporation ou Whirlpool Canada LP (ci-après désignées "Whirlpool") paiera pour les pièces de rechange FSP® et la main-d'oeuvre pour corriger les vices de matériaux ou de fabrication. Le service doit être fourni par une compagnie de service désignée par Whirlpool.

WHIRLPOOL NE PRENDRA PAS EN CHARGE

1. Les visites de service pour rectifier l'installation du gros appareil ménager, montrer à l'utilisateur comment utiliser l'appareil, remplacer ou réparer des fusibles ou rectifier le câblage ou la plomberie du domicile.
2. Les visites de service pour réparer ou remplacer les ampoules électriques de l'appareil, les filtres à air ou les filtres à eau. Ces pièces consommables ne sont pas couvertes par la garantie.
3. Les réparations lorsque le gros appareil ménager est utilisé à des fins autres que l'usage unifamilial normal.
4. Les dommages imputables à : accident, modification, usage impropre ou abusif, incendie, inondation, actes de Dieu, installation fautive ou installation non conforme aux codes d'électricité ou de plomberie, ou l'utilisation de produits non approuvés par Whirlpool.
5. Toute perte d'aliments due à une défaillance du réfrigérateur ou du congélateur.
6. Le coût des pièces de rechange et de la main-d'oeuvre pour les appareils utilisés hors des États-Unis ou du Canada.
7. Le ramassage et la livraison. Ce gros appareil ménager est conçu pour être réparé à domicile.
8. Les réparations aux pièces ou systèmes résultant d'une modification non autorisée faite à l'appareil.
9. Les frais de transport pour le service d'un produit dans les régions éloignées.
10. La dépose et la réinstallation de votre appareil si celui-ci est installé dans un endroit inaccessible ou n'est pas installé conformément aux instructions d'installation fournies.

CLAUSE D'EXONÉRATION DE RESPONSABILITÉ AU TITRE DES GARANTIES IMPLICITES; LIMITATION DES RECOURS

LE SEUL ET EXCLUSIF RECOURS DU CLIENT DANS LE CADRE DE LA PRÉSENTE GARANTIE LIMITÉE CONSISTE EN LA RÉPARATION PRÉVUE CI-DESSUS. LES GARANTIES IMPLICITES, Y COMPRIS LES GARANTIES APPLICABLES DE QUALITÉ MARCHANDE ET D'APTITUDE À UN USAGE PARTICULIER, SONT LIMITÉES À UN AN OU À LA PLUS COURTE PÉRIODE AUTORISÉE PAR LA LOI. WHIRLPOOL N'ASSUME AUCUNE RESPONSABILITÉ POUR LES DOMMAGES FORTUITS OU INDIRECTS. CERTAINES JURIDICTIONS NE PERMETTENT PAS L'EXCLUSION OU LA LIMITATION DES DOMMAGES FORTUITS OU INDIRECTS, OU LES LIMITATIONS DE LA DURÉE DES GARANTIES IMPLICITES DE QUALITÉ MARCHANDE OU D'APTITUDE À UN USAGE PARTICULIER, DE SORTE QUE CES EXCLUSIONS OU LIMITATIONS PEUVENT NE PAS S'APPLIQUER DANS VOTRE CAS. CETTE GARANTIE VOUS CONFÈRE DES DROITS JURIDIQUES SPÉCIFIQUES ET VOUS POUVEZ ÉGALEMENT JOUIR D'AUTRES DROITS QUI PEUVENT VARIER D'UNE JURIDICTION À UNE AUTRE.

À l'extérieur du Canada et des 50 États des États-Unis, cette garantie ne s'applique pas. Contacter votre marchand Whirlpool autorisé pour déterminer si une autre garantie s'applique.

Si vous avez besoin de service, voir d'abord la section "Dépannage" du Guide d'utilisation et d'entretien. Après avoir vérifié la section "Dépannage", de l'aide supplémentaire peut être trouvée en vérifiant la section "Assistance ou service" ou en appelant Whirlpool. Aux É.-U., composer le **1-800-253-1301**. Au Canada, composer le **1-800-807-6777**. 8/05

Conservez ce manuel et votre reçu de vente ensemble pour référence ultérieure. Pour le service sous garantie, vous devez présenter un document prouvant la date d'achat ou d'installation.

Inscrivez les renseignements suivants au sujet de votre gros appareil ménager pour mieux vous aider à obtenir assistance ou service en cas de besoin. Vous devrez connaître le numéro de modèle et le numéro de série au complet. Vous trouverez ces renseignements sur la plaque signalétique située sur le produit.

Nom du marchand _____

Adresse _____

Numéro de téléphone _____

Numéro de modèle _____

Numéro de série _____

Date d'achat _____

8303870

© 2005 Whirlpool Corporation.
All rights reserved.
Tous droits réservés.

® Registered Trademark/TM Trademark of Whirlpool, U.S.A., Whirlpool Canada LP Licensee in Canada
® Marque déposée/TM Marque de commerce de Whirlpool, U.S.A., emploi licencié par Whirlpool Canada LP au Canada

11/05
Printed in U.S.A.
Imprimé aux É.-U.

