

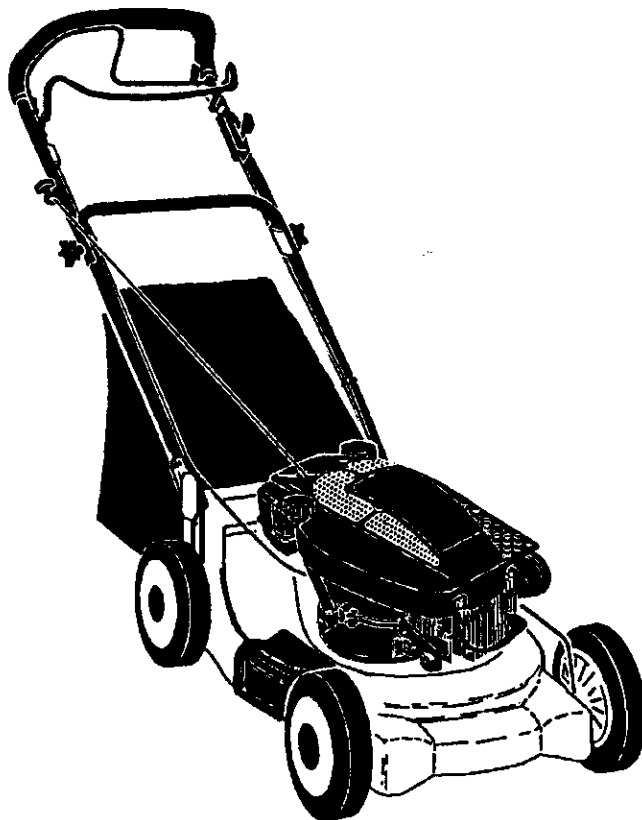
Owner's Manual

**CRAFTSMAN®**

## ROTARY LAWN MOWER

6.75 Horsepower  
21" Multi-Cut  
Power-Propelled

Model No.  
**917.377651**



### **CAUTION:**

Read and follow all  
Safety Rules and Instructions  
before operating this equipment

Sears, Roebuck and Co., Hoffman Estates, IL 60179 U.S.A.  
Visit our Craftsman website: [www.sears.com/craftsman](http://www.sears.com/craftsman)

## TABLE OF CONTENTS

Warranty .....	2	Product Specifications .....	12
Safety Rules .....	2-4	Service and Adjustments .....	15
Assembly/Pre-Operation .....	5	Storage .....	16-17
Operation .....	6-10	Troubleshooting .....	17-18
Maintenance Schedule .....	11	Repair Parts .....	36-43
Maintenance .....	11-14	Sears Service .....	Back Cover

## WARRANTY

### LIMITED TWO YEAR WARRANTY ON CRAFTSMAN POWER MOWER

For two years from date of purchase, when this Craftsman Lawn Mower is maintained, lubricated, and tuned up according to the operating and maintenance instructions in the owner's manual, Sears will repair free of charge any defect in material or workmanship.

If this Craftsman Lawn Mower is used for commercial or rental purposes, this warranty applies for only 90 days from the date of purchase.

This Warranty does not cover:

- Expendable items which become worn during normal use, such as rotary mower blades, blade adapters, belts, air cleaners and spark plug.
- Repairs necessary because of operator abuse or negligence, including bent crankshafts and the failure to maintain the equipment according to the instructions contained in the owner's manual.

Warranty service is available by returning the Craftsman power mower to the nearest Sears Service Center/Department in the United States. This warranty applies only while this product is used in the United States.

This Warranty gives you specific legal rights, and you may also have other rights which vary from state to state.

SEARS, ROEBUCK AND CO., D/817 WA, HOFFMAN ESTATES, ILLINOIS 60179

## SAFETY RULES

**IMPORTANT:** This cutting machine is capable of amputating hands and feet and throwing objects. Failure to observe the following safety instructions could result in serious injury or death.

**⚠** Look for this symbol to point out important safety precautions. It means **CAUTION!!! BECOME ALERT!!! YOUR SAFETY IS INVOLVED.**

**⚠ CAUTION:** Always disconnect spark plug wire and place wire where it cannot contact spark plug in order to prevent accidental starting when setting up, transporting, adjusting or making repairs.

**⚠ WARNING:** Engine exhaust, some of its constituents, and certain vehicle components contain or emit chemicals known to the State of California to cause cancer and birth defects or other reproductive harm.

**⚠ WARNING:** Battery posts, terminals and related accessories contain lead and lead compounds, chemicals known to the State of California to cause cancer and birth defects or other reproductive harm. **Wash hands after handling.**

**⚠ CAUTION:** Muffler and other engine parts become extremely hot during operation and remain hot after engine has stopped. To avoid severe burns on contact, stay away from these areas.



## I. GENERAL OPERATION

- Read, understand, and follow all instructions on the machine and in the manual(s) before starting. Be thoroughly familiar with the controls and the proper use of the machine before starting.
- Do not put hands or feet near or under rotating parts. Keep clear of the discharge opening at all times.
- Only allow responsible individuals, who are familiar with the instructions, to operate the machine.
- Clear the area of objects such as rocks, toys, wire, bones, sticks, etc., which could be picked up and thrown by the blade.
- Be sure the area is clear of other people before mowing. Stop machine if anyone enters the area.
- Do not operate the mower when barefoot or wearing open sandals. Always wear substantial foot wear.
- Do not pull mower backwards unless absolutely necessary. Always look down and behind before and while moving backwards.
- Do not operate the mower without proper guards, plates, grass catcher or other safety protective devices in place.
- See manufacturer's instructions for proper operation and installation of accessories. Only use accessories approved by the manufacturer.
- Stop the blade(s) when crossing gravel drives, walks, or roads.
- Stop the engine (motor) whenever you leave the equipment, before cleaning the mower or unclogging the chute.
- Shut the engine (motor) off and wait until the blade comes to complete stop before removing grass catcher.
- Mow only in daylight or good artificial light.
- Do not operate the machine while under the influence of alcohol or drugs.
- Never operate machine in wet grass. Always be sure of your footing: keep a firm hold on the handle and walk; never run.
- Disengage the self-propelled mechanism or drive clutch on mowers so equipped before starting the engine (motor).
- If the equipment should start to vibrate abnormally, stop the engine (motor) and check immediately for the cause. Vibration is generally a warning of trouble.

- Always wear safety goggles or safety glasses with side shields when operating mower.

## II. SLOPE OPERATION

Slopes are a major factor related to slip and fall accidents which can result in severe injury. All slopes require extra caution. If you feel uneasy on a slope, do not mow it.

### DO:

- Mow across the face of slopes: never up and down. Exercise extreme caution when changing direction on slopes.
- Remove obstacles such as rocks, tree limbs, etc.
- Watch for holes, ruts, or bumps. Tall grass can hide obstacles.

### DO NOT:

- Do not trim near drop-offs, ditches or embankments. The operator could lose footing or balance.
- Do not trim excessively steep slopes.
- Do not mow on wet grass. Reduced footing could cause slipping.

## III. CHILDREN

Tragic accidents can occur if the operator is not alert to the presence of children. Children are often attracted to the machine and the mowing activity. *Never* assume that children will remain where you last saw them.

- Keep children out of the trimming area and under the watchful care of another responsible adult.
- Be alert and turn machine off if children enter the area.
- Before and while walking backwards, look behind and *down* for small children.
- Never allow children to operate the machine.
- Use extra care when approaching blind corners, shrubs, trees, or other objects that may obscure vision.

## IV. SERVICE



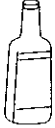
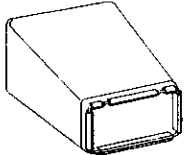
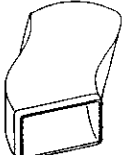
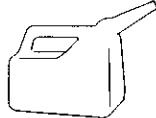
- Use extra care in handling gasoline and other fuels. They are flammable and vapors are explosive.
  - Use only an approved container.
  - Never remove gas cap or add fuel with the engine running. Allow engine to cool before refueling. Do not smoke.
  - Never refuel the machine indoors.
  - Never store the machine or fuel container inside where there is an open flame, such as a water heater.

- Never run a machine inside a closed area.
- Never make adjustments or repairs with the engine (motor) running. Disconnect the spark plug wire, and keep the wire away from the plug to prevent accidental starting.
- Keep nuts and bolts, especially blade attachment bolts, tight and keep equipment in good condition.
- Never tamper with safety devices. Check their proper operation regularly.
- Keep machine free of grass, leaves, or other debris build-up. Clean oil or fuel spillage. Allow machine to cool before storing.
- Stop and inspect the equipment if you strike an object. Repair, if necessary, before restarting.
- Never attempt to make wheel height adjustments while the engine (motor) is running.
- Grass catcher components are subject to wear, damage, and deterioration, which could expose moving parts or allow objects to be thrown. Frequently check components and replace with manufacturer's recommended parts, when necessary.
- Mower blades are sharp and can cut. Wrap the blade(s) or wear gloves, and use extra caution when servicing them.
- Do not change the engine governor setting or overspeed the engine.


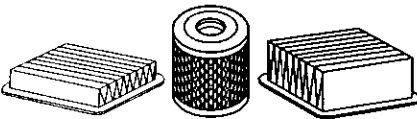



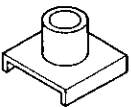


## ACCESSORIES

These accessories were available when this lawn mower was produced. **They are not shipped with your mower.** They are also available at most Sears retail outlets and service centers. Most Sears stores can also order repair parts for you, when you provide the model number of your lawn mower. Some of these accessories may not apply to your lawn mower.

### LAWN MOWER PERFORMANCE

 <b>CLIPPING DEFLECTOR FOR REAR DISCHARGE LAWN MOWERS</b>	 <b>MULCHER KITS</b>	 <b>STABILIZER</b>
 <b>GRASS CATCHERS FOR REAR DISCHARGE LAWN MOWERS</b>	 <b>GRASS CATCHERS FOR SIDE DISCHARGE LAWN MOWERS</b>	 <b>GAS CANS</b>

### LAWN MOWER MAINTENANCE

 <b>MUFFLERS</b>		 <b>AIR FILTERS</b>		 <b>SPARK PLUGS</b>
 <b>BELTS</b>	 <b>BLADES</b>	 <b>BLADE ADAPTERS</b>	 <b>WHEELS</b>	 <b>ENGINE OIL</b>



## ASSEMBLY/PRE-OPERATION

Read these instructions and this manual in its entirety before you attempt to assemble or operate your new lawn mower.

**IMPORTANT:** This lawn mower is shipped WITHOUT OIL OR GASOLINE in the engine.

Your new lawn mower has been assembled at the factory with the exception of those parts left unassembled for shipping purposes. All parts such as nuts, washers, bolts, etc., necessary to complete the assembly have been placed in the parts bag. To ensure safe and proper operation of your lawn mower, all parts and hardware you assemble must be tightened securely. Use the correct tools as necessary to ensure proper tightness.

### TO REMOVE LAWN MOWER FROM CARTON

1. Remove loose parts included with mower.
2. Cut down two end corners of carton and lay end panel down flat.
3. Remove all packing materials except padding between upper and lower handle and padding holding operator presence control bar to upper handle.
4. Roll lawn mower out of carton and check carton thoroughly for additional loose parts.

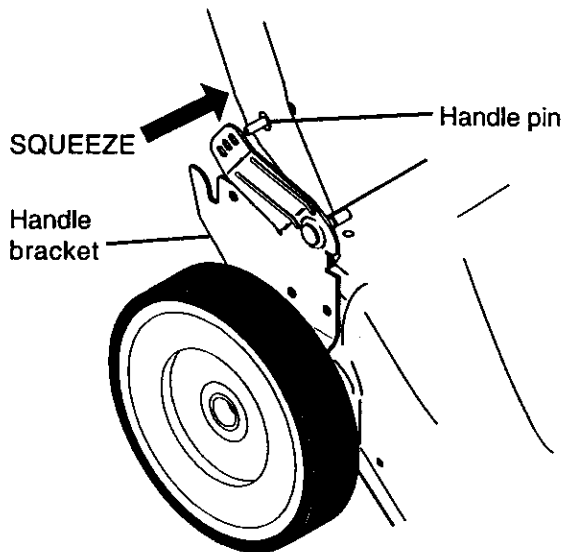
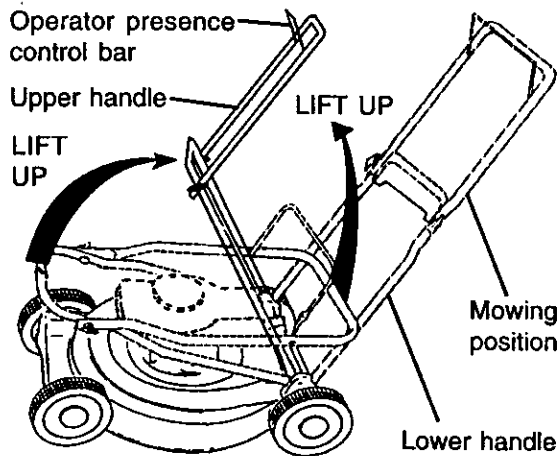
### HOW TO SET UP YOUR LAWN MOWER

#### TO UNFOLD HANDLE

**IMPORTANT:** Unfold handle carefully so as not to pinch or damage control cables.

1. Raise lower handle section to operating position and squeeze the bottom ends of lower handle towards each other until the pin in handle can be inserted into one of the three height adjustment holes.
2. Remove protective padding, raise upper handle section into place on lower handle and tighten both handle knobs.
3. Remove any packing material from around control bar.

Your handles may be adjusted for your mowing comfort. Refer to "ADJUST HANDLE" in the Service and Adjustments section of this manual.



#### TO INSTALL ATTACHMENTS

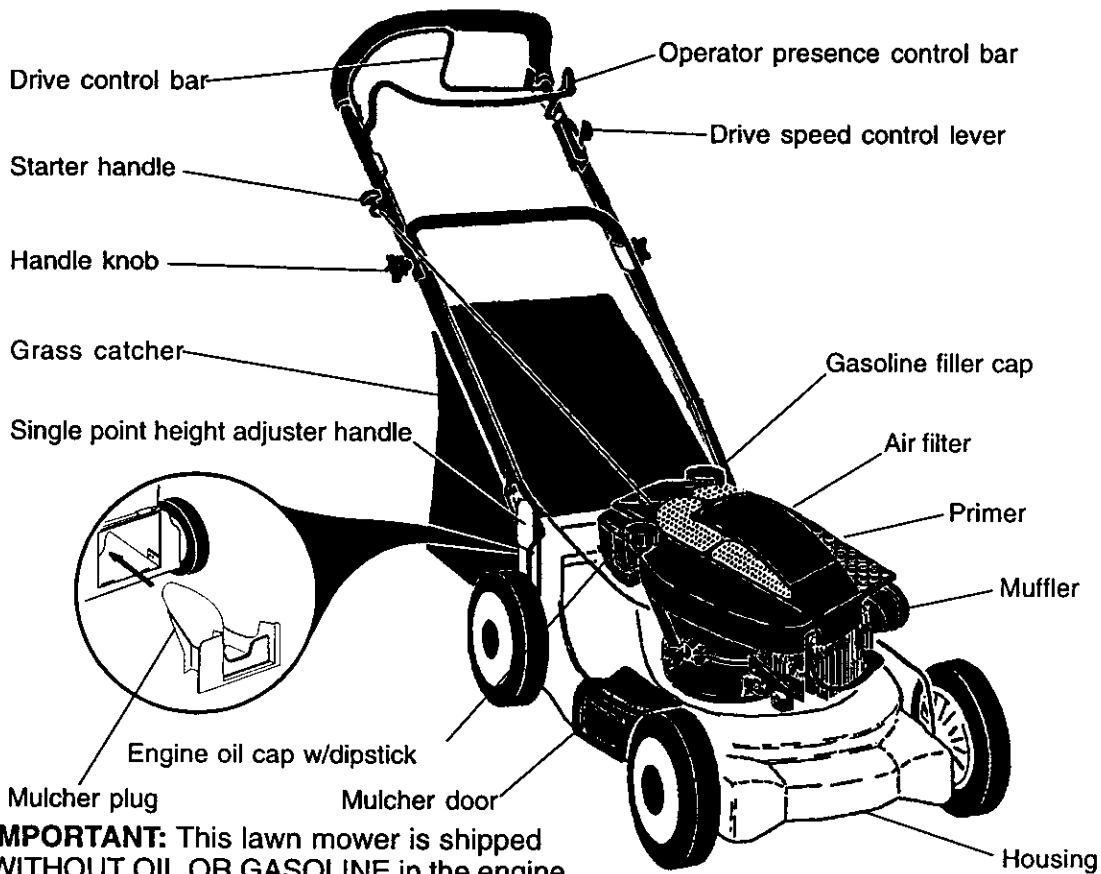
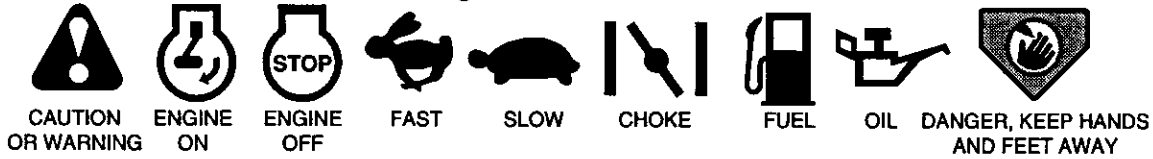
Your lawn mower was shipped ready to be used as a mulcher. To convert to bagging or discharging, see "TO CONVERT MOWER" in the Operation section of this manual.

# OPERATION

## KNOW YOUR LAWN MOWER

READ THIS OWNER'S MANUAL AND ALL SAFETY RULES BEFORE OPERATING YOUR LAWN MOWER. Compare the illustrations with your lawn mower to familiarize yourself with the location of various controls and adjustments. Save this manual for future reference.

These symbols may appear on your lawn mower or in literature supplied with the product. Learn and understand their meaning.



**IMPORTANT:** This lawn mower is shipped WITHOUT OIL OR GASOLINE in the engine.

## MEETS CPSC SAFETY REQUIREMENTS

Sears rotary walk-behind power lawn mowers conform to the safety standards of the American National Standards Institute and the U.S. Consumer Product Safety Commission. The blade turns when the engine is running.

**Operator presence control bar** - must be held down to the handle to start the engine. Release to stop the engine.  
**Primer** - pumps additional fuel from the carburetor to the cylinder for use when starting a cold engine.  
**Starter handle** - used for starting the engine.  
**Drive control bar** - used to engage power-propelled forward motion of lawn mower.

**Drive speed control lever** - used to engage power-propelled forward motion of lawn mower.

**Single point height adjuster** - used to adjust cutting height of lawn mower.

**Mulcher door** - allows conversion to discharging or bagging operation.

**Mulcher plug** - Located at the rear discharge opening. Must be removed when converting to bagging operation.



The operation of any lawn mower can result in foreign objects thrown into the eyes, which can result in severe eye damage.

Always wear safety glasses or eye shields while operating your lawn mower or performing any adjustments or repairs. We recommend standard safety glasses or a wide vision safety mask worn over spectacles.

## HOW TO USE YOUR LAWN MOWER

### ENGINE SPEED

The engine speed was set at the factory for optimum performance. Speed is not adjustable.

### ENGINE ZONE CONTROL

**CAUTION:** Federal regulations require an engine control to be installed on this lawn mower in order to minimize the risk of blade contact injury. Do not under any circumstances attempt to defeat the function of the operator control. The blade turns when the engine is running.

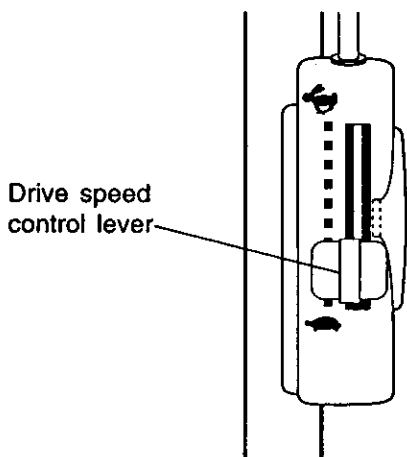
- Your lawn mower is equipped with an operator presence control bar which requires the operator to be positioned behind the lawn mower handle to start and operate the lawn mower.

### GROUND DRIVE SPEEDS

Your lawn mower provides multiple speeds to let you select the speed that suits you best.

- Lower speeds are for heavy/thick grass cutting or trimming.
- Medium speeds are for normal grass cutting or trimming.
- High speeds are for light cutting and for ground transport.

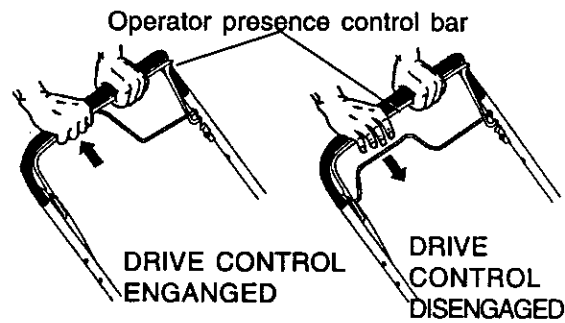
**NOTE:** Do not move speed control lever unless the engine is running



## TO OPERATE DRIVE SYSTEM

- With engine running, select ground speed by moving drive speed control lever to desired position.
- To start forward motion, pull drive control bar back against handle.
- To stop forward motion, release drive control bar.

**IMPORTANT:** Always keep drive control fully engaged against handle when in use.



## TO ADJUST CUTTING HEIGHT

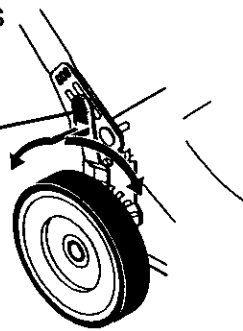
All four wheels are adjusted by a single lever.

- Pull adjuster lever toward wheel. To raise mower, move lever forward to desired position. To lower mower, move the lever toward the rear.

LOWER WHEELS FOR HIGH CUT

Single point height adjuster lever

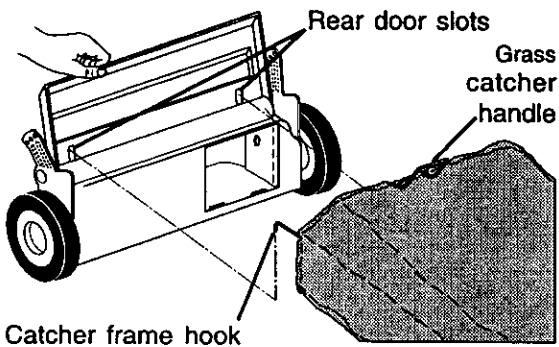
RAISE WHEELS FOR LOW CUT



## TO ATTACH GRASS CATCHER

- Lift the rear door of the lawn mower and place the grass catcher frame hooks into the slots of the rear door.
- The grass catcher is secured to the lawn mower housing when the rear door is lowered onto the grass catcher frame.

**CAUTION:** Do not run your lawn mower without mulcher plug or approved grass catcher in place. Never attempt to operate the lawn mower with the rear door removed or propped open.

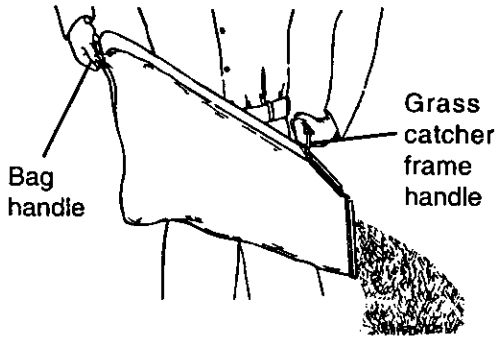


Catcher frame hook

### TO EMPTY GRASS CATCHER

1. Lift up on grass catcher using the frame handle.
2. Remove grass catcher with clippings from under lawn mower handle.
3. Empty clippings from bag using both frame handle and bag handle.

**NOTE:** Do not drag the bag when emptying; it will cause unnecessary wear.

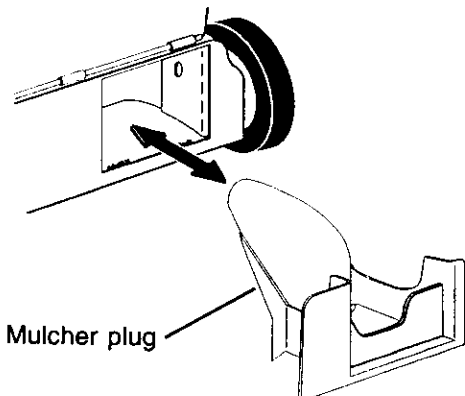


### TO CONVERT MOWER

Your lawn mower was shipped ready to be used as a mulcher. To convert to bagging or discharging:

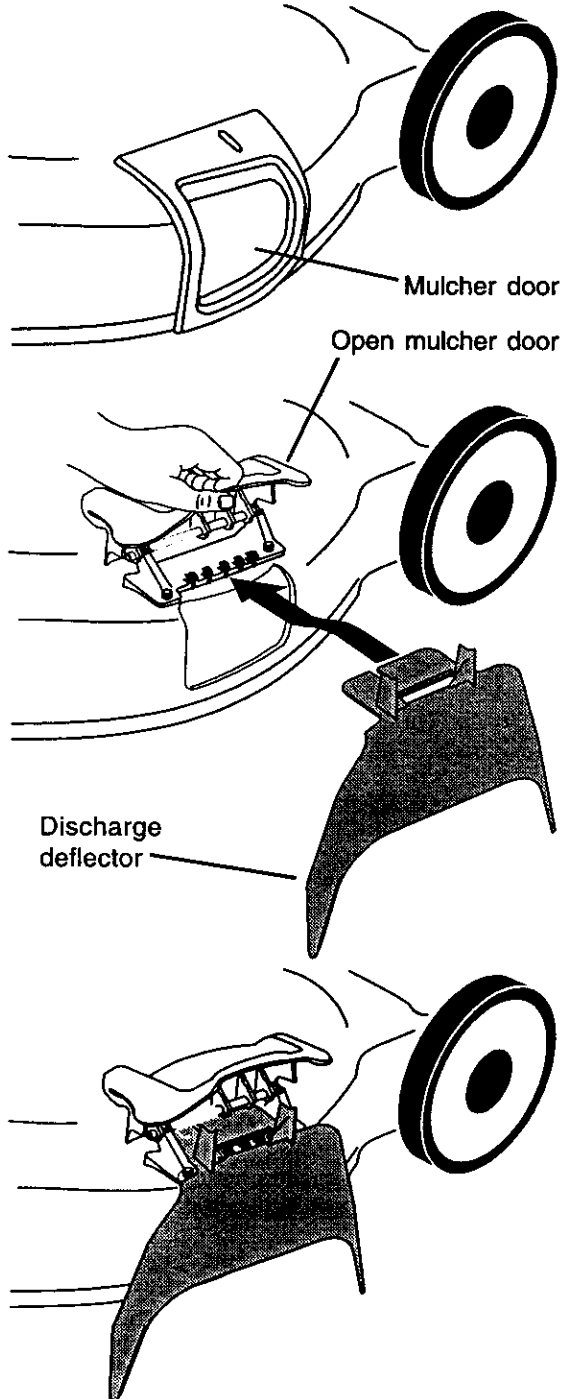
#### REAR BAGGING

- Open rear door and remove mulcher plug. Store mulcher plug in a safe place.
- You can now install the grass catcher.
- To convert to mulching or discharging operation, install mulcher plug into rear discharge opening of mower.



### SIDE DISCHARGING

- Mulcher plug must be installed into rear discharge opening of mower.
- Open mulcher door and install discharge deflector under guard as shown.
- Mower is now ready for discharging operation.
- To convert to mulching or bagging operation, discharge deflector must be removed and discharge guard must be closed.



## SIMPLE STEPS TO REMEMBER WHEN CONVERTING YOUR LAWN MOWER

### FOR MULCHING -

1. Rear mulcher plug installed.
2. Mulcher door closed.

### FOR REAR BAGGING -

1. Rear mulcher plug removed.
2. Grass catcher installed.
3. Mulcher door closed.

### FOR SIDE DISCHARGING -

1. Rear mulcher plug installed.
2. Side discharge deflector installed.

**⚠ CAUTION:** Do not run your lawn mower without rear mulcher plug in place or approved grass catcher in place. Never attempt to operate the lawn mower with the rear door removed or propped open.

## BEFORE STARTING ENGINE

### ADD OIL

Your lawnmower is shipped without oil in the engine. For type and grade of oil to use, see "ENGINE" in the Maintenance section of this manual.

**⚠ CAUTION:** DO NOT overfill engine with oil, or it will smoke on startup.

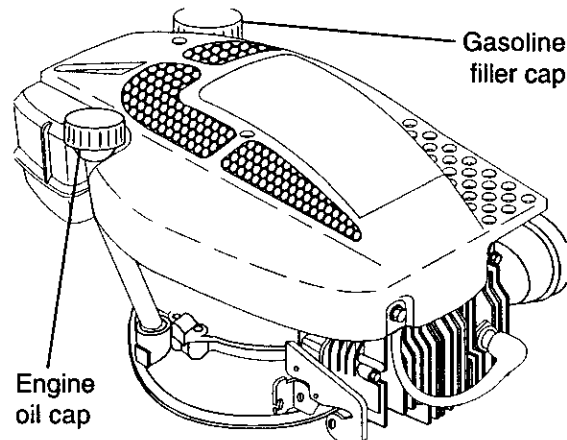
1. Be sure lawnmower is level and area around oil fill is clean.
  2. Remove oil dipstick from oil fill spout. Make sure that rim of spout is clean.
  3. You receive a container of oil with the unit. Slowly pour 3/4 (15 oz.) of the oil from the container down the oil fill spout into the engine.
  4. Wait one minute to allow oil to settle. Insert and tighten dipstick, then remove it to check oil level.
  5. Continue adding small amounts of oil and rechecking the dipstick until it reads full. DO NOT overfill, or engine will smoke on startup.
  6. Always be sure to retighten oil dipstick before starting engine.
- Check oil level before each use. Add oil if needed. Fill to full line on dipstick.
  - Change the oil after every 25 hours of operation or each season. You may need to change the oil more often under dusty, dirty conditions.

## ADD GASOLINE

- Fill fuel tank to bottom of tank filler neck. Do not overfill. Use fresh, clean, regular unleaded gasoline with a minimum of 87 octane. Do not mix oil with gasoline. Purchase fuel in quantities that can be used within 30 days to assure fuel freshness.

**⚠ CAUTION:** Wipe off any spilled oil or fuel. Do not store, spill or use gasoline near an open flame.

**⚠ CAUTION:** Alcohol blended fuels (called gasohol or using ethanol or methanol) can attract moisture which leads to separation and formation of acids during storage. Acidic gas can damage the fuel system of an engine while in storage. To avoid engine problems, the fuel system should be emptied before storage of 30 days or longer. Drain the gas tank, start the engine and let it run until the fuel lines and carburetor are empty. Use fresh fuel next season. See Storage Instructions for additional information. Never use engine or carburetor cleaner products in the fuel tank or permanent damage may occur.



## TO START ENGINE

**NOTE:** Due to protective coatings on the engine, a small amount of smoke may be present during the initial use of the product and should be considered normal.

1. To start a cold engine, push primer three (3) times before trying to start. Use a firm push. This step is not usually necessary when starting an engine which has already run for a few minutes.
2. Hold operator presence control bar down to the handle and pull starter handle quickly. Do not allow starter rope to snap back.

## TO STOP ENGINE

- To stop engine, release operator presence control bar.

**NOTE:** In cooler weather it may be necessary to repeat priming steps. In warmer weather over priming may cause flooding and engine will not start. If you do flood engine, wait a few minutes before attempting to start and do not repeat priming steps.

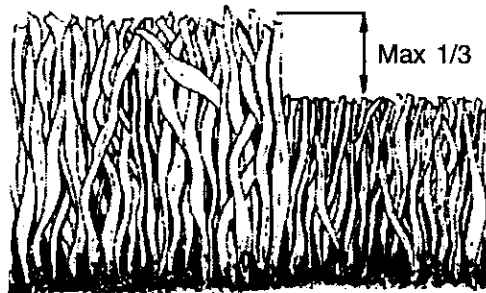
## MOWING TIPS

- Under certain conditions, such as very tall grass, it may be necessary to raise the height of cut to reduce pushing effort and to keep from overloading the engine and leaving clumps of grass clippings. It may also be necessary to reduce ground speed and/or run the lawn mower over the area a second time.
- For extremely heavy cutting, reduce the width of cut by overlapping previously cut path and mow slowly.
- For better grass bagging and most cutting conditions, the engine speed should be set in the fast position.
- Pores in cloth grass catchers can become filled with dirt and dust with use and catchers will collect less grass. To prevent this, regularly hose catcher off with water and let dry before using.
- Keep top of engine around starter clear and clean of grass clippings and chaff. This will help engine air flow and extend engine life.

## MULCHING MOWING TIPS

**IMPORTANT:** For best performance, keep mower housing free of built-up grass and trash. See "CLEANING" in the Maintenance section of this manual.

- The special mulching blade will recut the grass clippings many times and reduce them in size so that as they fall onto the lawn they will disperse into the grass and not be noticed. Also, the mulched grass will biodegrade quickly to provide nutrients for the lawn. Always mulch with your highest engine (blade) speed as this will provide the best recutting action of the blades.
- Avoid cutting your lawn when it is wet. Wet grass tends to form clumps and interferes with the mulching action. The best time to mow your lawn is the early afternoon. At this time the grass has dried and the newly cut area will not be exposed to the direct sun.
- For best results, adjust the lawn mower cutting height so that the lawn mower cuts off only the top one-third of the grass blades. If the lawn is overgrown it will be necessary to raise the height of cut to reduce pushing effort and to keep from overloading the engine and leaving clumps of mulched grass. For extremely heavy grass, reduce your width of cut by overlapping previously cut path and mow slowly.



- Certain types of grass and grass conditions may require that an area be mulched a second time to completely hide the clippings. When doing a second cut, mow across or perpendicular to the first cut path.
- Change your cutting pattern from week to week. Mow north to south one week then change to east to west the next week. This will help prevent matting and graining of the lawn.



# PRODUCT SPECIFICATIONS

Serial Number:	
Date of Purchase:	
Gasoline Capacity / Type:	1.25 Quarts (Unleaded Regular)
Oil Type (API-SF-SJ):	SAE 30 (above 32°F); SAE 5W-30 (below 32°F)
Oil Capacity:	20 Ounces
Spark Plug (Gap: .030")	Champion RJ19LM or J19LM
Blade Bolt Torque:	35-40 ft. lbs.
<ul style="list-style-type: none"> <li>The model and serial numbers will be found on a decal on the rear of the mower housing. Record both serial number and date of purchase in space provided above.</li> </ul>	

## LAWNMOWER

Always observe safety rules when performing any maintenance.

### TIRES

- Keep tires free of gasoline, oil, or insect control chemicals which can harm rubber.
- Avoid stumps, stones, deep ruts, sharp objects and other hazards that may cause tire damage.

### BLADE CARE

For best results, mower blade must be kept sharp. Replace bent or damaged blades.

### TO REMOVE BLADE

1. Disconnect spark plug wire from spark plug and place wire where it cannot come in contact with spark plug.
2. Turn lawn mower on its side. Make sure air filter and carburetor are up.
3. Use a wood block between blade and mower housing to prevent blade from turning when removing blade bolt.

**NOTE:** Protect your hands with gloves and/or wrap blade with heavy cloth.

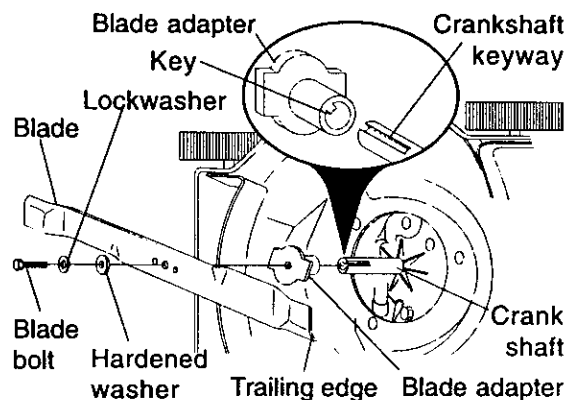
4. Remove blade bolt by turning counter-clockwise.
5. Remove blade and attaching hardware (bolt, lock washer and hardened washer).

**NOTE:** Remove the blade adapter and check the key inside hub of blade adapter. The key must be in good condition to work properly. Replace adapter if damaged.

### TO REPLACE BLADE

1. Position the blade adapter on the engine crankshaft. Be sure key in adapter and crankshaft keyway are aligned.
  2. Position blade on the blade adapter aligning the two (2) holes in the blade with the raised lugs on the adapter.
  3. Be sure the trailing edge of blade (opposite sharp edge) is up toward the engine.
  4. Install the blade bolt with the lock washer and hardened washer into blade adapter and crankshaft.
  5. Use block of wood between blade and lawn mower housing and tighten the blade bolt, turning clockwise.
- The recommended tightening torque is 35-40 ft. lbs.

**IMPORTANT:** Blade bolt is grade 8 heat treated.



## TO SHARPEN BLADE

**NOTE:** We do not recommend sharpening blade - but if you do, be sure the blade is balanced.

Care should be taken to keep the blade balanced. An unbalanced blade will cause eventual damage to lawn mower or engine.

- The blade can be sharpened with a file or on a grinding wheel. Do not attempt to sharpen while on the mower.
- To check blade balance, drive a nail into a beam or wall. Leave about one inch of the straight nail exposed. Place center hole of blade over the head of the nail. If blade is balanced, it should remain in a horizontal position. If either end of the blade moves downward, sharpen the heavy end until the blade is balanced.

## GRASS CATCHER

- The grass catcher may be hosed with water, but must be dry when used.
- Check your grass catcher often for damage or deterioration. Through normal use it will wear. If catcher needs replacing, replace only with a manufacturer approved replacement catcher. Give the lawn mower model number when ordering.

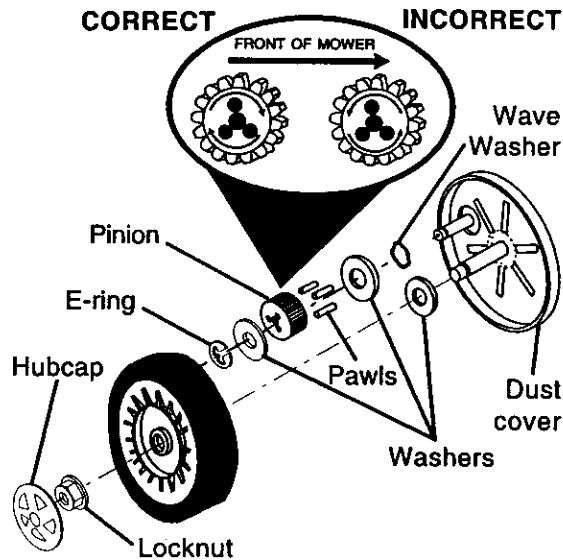
## DRIVE WHEELS

Check rear drive wheels each time you mow to be sure they move freely. The wheels not turning freely means trash, grass cuttings, etc., may be inside the drive wheel and dust cover area and must be cleaned out to free drive wheels. If necessary to clean the drive wheels, check both rear wheels.

1. Remove hubcaps and locknuts.
2. Remove wheels from wheel adjuster axles.
3. Remove any trash or grass cuttings from inside the dust cover, pinion and/or drive wheel gear teeth.
4. If you remove the drive pinions, wipe clean with dry cloth. Reassemble dry. Do not lubricate. Do not use oil or grease.

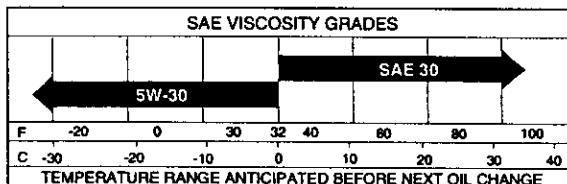
**NOTE:** The pinion gears, on both sides of the mower, are the same, however, they must be installed correctly. If installed incorrectly, the drive system will not work.

5. There are arrows embossed on both sides of the pinion gear. With the arrow at the top of the pinion, the arrow must point towards the front of the mower. If the arrow points to the rear of the mower, turn the pinion around, then assemble to mower.
6. Place wheels back on adjuster axles.
7. Replace locknuts and hubcaps.



## ENGINE LUBRICATION

Use only high quality detergent oil rated with API service classification SF-SJ. Select the oil's SAE viscosity grade according to your expected operating temperature.



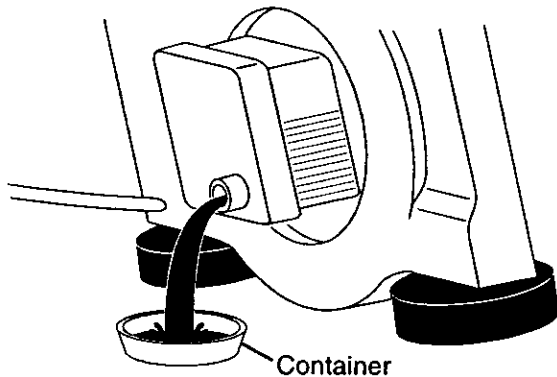
**NOTE:** Although multi-viscosity oils (5W30, 10W30 etc.) improve starting in cold weather, these multi-viscosity oils will result in increased oil consumption when used above 32°F. Check your engine oil level more frequently to avoid possible engine damage from running low on oil.

Change the oil after every 25 hours of operation or at least once a year if the lawn mower is not used for 25 hours in one year. Check the crankcase oil level before starting the engine and after each five (5) hours of continuous use. Tighten oil plug securely each time you check the oil level.

## TO CHANGE ENGINE OIL

**NOTE:** Before tipping lawn mower to drain oil, drain fuel tank by running engine until fuel tank is empty.

1. Disconnect spark plug wire from spark plug and place wire where it cannot come in contact with spark plug.
2. Remove engine oil cap; lay aside on a clean surface.
3. Tip lawn mower on its side as shown and drain oil into a suitable container. Rock lawn mower back and forth to remove any oil trapped inside of engine.
4. Wipe off any spilled oil from lawn mower or side of engine.
5. Fill engine with oil. (See "ADD OIL" in the Operation section of this manual).
6. Reconnect spark plug wire to spark plug.

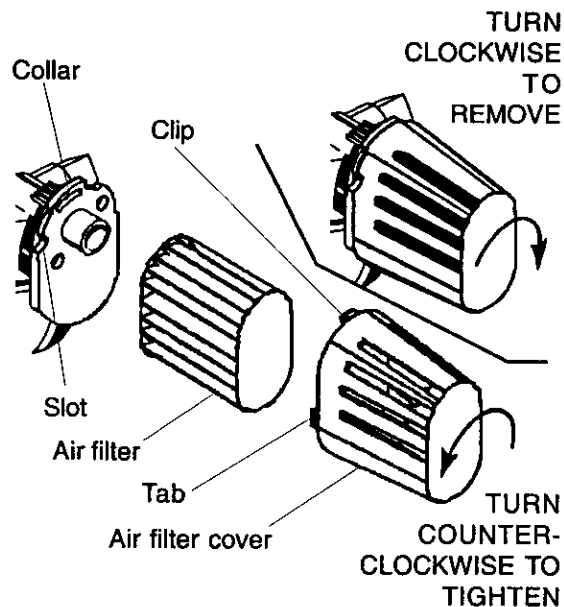


## AIR FILTER

Your engine will not run properly and may be damaged by using a dirty air filter. Replace the air filter every 100 hours of operation or every season, whichever occurs first. Service air cleaner more often under dusty conditions. Do not wash air filter.

### TO CHANGE AIR FILTER

1. Remove the air filter by turning clockwise to the stop and pull away from collar.
2. Remove filter from inside of cover.
3. Clean the inside of the cover and the collar to remove any dirt accumulation.
4. Insert new filter into cover.
5. Put air filter cover and filter into collar aligning the tab with the slot.
6. Push in on cover and turn counter-clockwise to tighten.



## MUFFLER

Inspect and replace corroded muffler as it could create a fire hazard and/or damage.

## SPARK PLUG

Replace spark plugs at the beginning of each mowing season or after every 100 hours of operation, whichever occurs first. Spark plug type and gap setting are shown in "PRODUCT SPECIFICATIONS" in Maintenance section of this manual.

## CLEANING

**IMPORTANT:** For best performance, keep mower housing free of built-up grass and trash. Clean underside of mower housing after each use.

**CAUTION:** Disconnect spark plug wire from spark plug and place wire where it cannot come in contact with the spark plug.

- Clean the underside of your lawn mower by scraping to remove build-up of grass and trash.
- Clean engine often to keep trash from accumulating. A clogged engine runs hotter and shortens engine life.
- Keep finished surfaces and wheels free of all gasoline, oil, etc.
- We do not recommend using a garden hose to clean lawn mower unless the electrical system, muffler, air filter and carburetor are covered to keep water out. Water in engine can result in shortened engine life.

## SERVICE AND ADJUSTMENTS

**⚠WARNING:** To avoid serious injury, before performing any service or adjustments:

1. Release control bar and stop engine.
2. Make sure the blade and all moving parts have completely stopped.
3. Disconnect spark plug wire from spark plug and place where it cannot come in contact with plug.

### LAWN MOWER

#### TO ADJUST CUTTING HEIGHT

See "TO ADJUST CUTTING HEIGHT" in the Operation section of this manual.

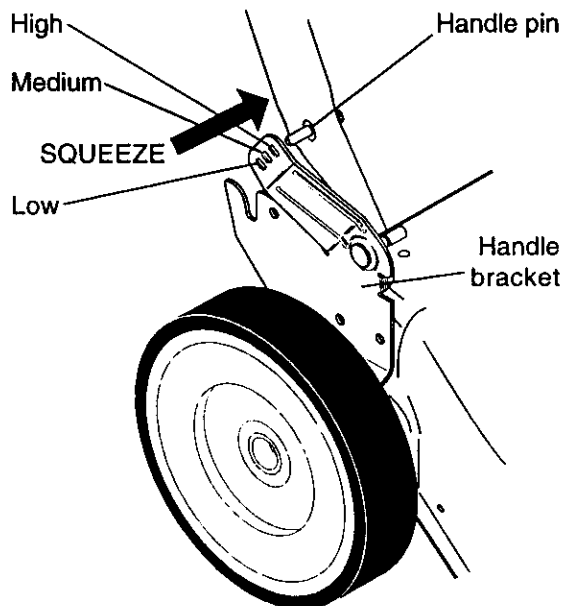
#### REAR DEFLECTOR

The rear deflector, attached between the rear wheels of your mower, is provided to minimize the possibility that objects will be thrown out of the rear of the mower into the operator mowing position. If the deflector becomes damaged, it should be replaced.

#### TO ADJUST HANDLE

The handle on your lawn mower has three (3) height positions - adjust to height that suits you.

- Squeeze the bottom ends of lower handle towards each other until the pin in handle can be inserted into one of the three height adjustment holes.



#### TO ASSEMBLE GRASS CATCHER

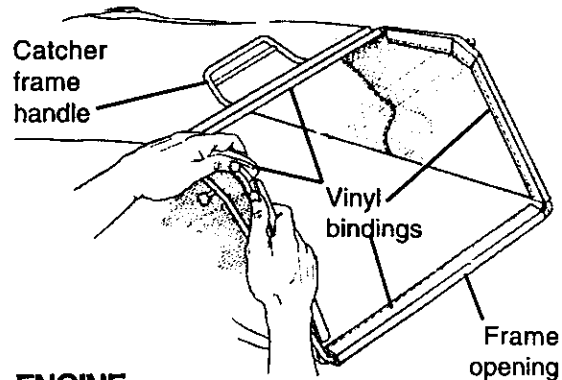
1. Put grass catcher frame into grass bag with rigid part of bag on the bottom.

Make sure the frame handle is outside of the bag top.

2. Slip vinyl bindings over frame.

**NOTE:** If vinyl bindings are too stiff, hold them in warm water for a few minutes. If bag gets wet, let it dry before using.

**⚠CAUTION:** Do not run your lawn mower without clipping deflector or approved grass catcher in place. Never attempt to operate the lawn mower with the rear door removed or propped open.



#### ENGINE

##### ENGINE SPEED

Your engine speed has been factory set. Do not attempt to increase engine speed or it may result in personal injury. If you believe that the engine is running too fast or too slow, take your lawn mower to a Sears or other qualified service center for repair and adjustment.

##### CARBURETOR

Your carburetor has a non-adjustable fixed main jet for mixture control. If your engine does not operate properly due to suspected carburetor problems, take your lawn mower to a Sears or other qualified service center for repair and adjustment.

**IMPORTANT:** Never tamper with the engine governor, which is factory set for proper engine speed. Overspeeding the engine above the factory high speed setting can be dangerous. If you think the engine-governed high speed needs adjusting, contact your nearest Sears or other qualified service center, which has proper equipment and experience to make any necessary adjustments.

## STORAGE

Immediately prepare your lawn mower for storage at the end of the season or if the unit will not be used for 30 days or more.

### LAWN MOWER

When lawn mower is to be stored for a period of time, clean it thoroughly, remove all dirt, grease, leaves, etc. Store in a clean, dry area.

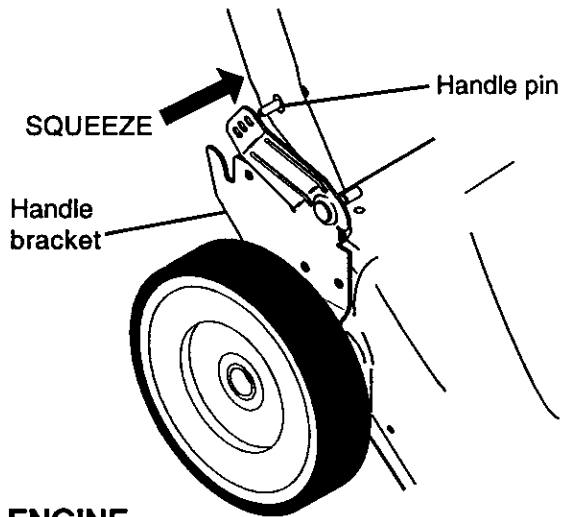
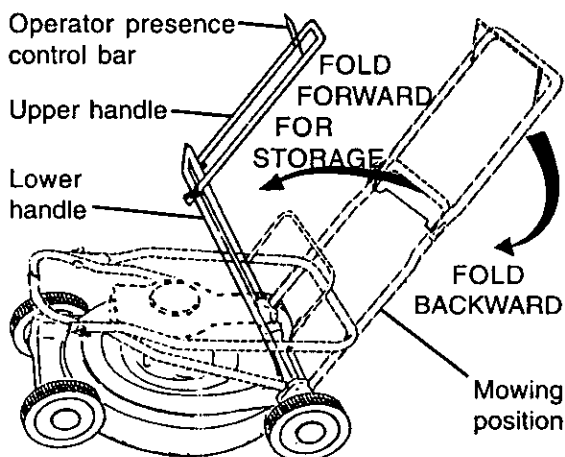
1. Clean entire lawn mower (See "CLEANING" in the Maintenance section of this manual).
2. Lubricate as shown in the Maintenance section of this manual.
3. Be sure that all nuts, bolts, screws, and pins are securely fastened. Inspect moving parts for damage, breakage and wear. Replace if necessary.
4. Touch up all rusted or chipped paint surfaces; sand lightly before painting.

### HANDLE

You can fold your lawn mower handle for storage.

1. Loosen the two (2) handle knobs on sides of the upper handle and allow handle to fold down to the rear.
  2. Squeeze the bottom ends of lower handle toward each other until pins in handle clear the brackets and pivot entire handle assembly forward and allow it to rest on mower.
- When setting up your handle from the storage position, the lower handle will require manually locking into the mowing position.

**IMPORTANT:** When folding the handle for storage or transportation, be sure to fold the handle as shown or you may damage the control cables.



### ENGINE

#### FUEL SYSTEM

**IMPORTANT:** It is important to prevent gum deposits from forming in essential fuel system parts such as carburetor, fuel filter, fuel hose, or tank during storage. Also, alcohol blended fuels (called gasohol or using ethanol or methanol) can attract moisture which leads to separation and formation of acids during storage. Acidic gas can damage the fuel system of an engine while in storage.

1. Drain the fuel tank.
  2. Start the engine and let it run until the fuel lines and carburetor are empty.
- Never use engine or carburetor cleaner products in the fuel tank or permanent damage may occur.
  - Use fresh fuel next season.

**NOTE:** Fuel stabilizer is an acceptable alternative in minimizing the formation of fuel gum deposits during storage. Add stabilizer to gasoline in fuel tank or storage container. Always follow the mix ratio found on stabilizer container. Run engine at least 10 minutes after adding stabilizer to allow the stabilizer to reach the carburetor. Do not drain the gas tank and carburetor if using fuel stabilizer.

#### ENGINE OIL

Drain oil (with engine warm) and replace with clean engine oil. (See "ENGINE" in the Maintenance section of this manual).

**CYLINDER**

1. Remove spark plug.
2. Pour one ounce (29 ml) of oil through spark plug hole into cylinder.
3. Pull starter handle slowly a few times to distribute oil.
4. Replace with new spark plug.

**OTHER**

- Do not store gasoline from one season to another.
- Replace your gasoline can if your can starts to rust. Rust and/or dirt in your gasoline will cause problems.

- If possible, store your unit indoors and cover it to protect it from dust and dirt.
- Cover your unit with a suitable protective cover that does not retain moisture. Do not use plastic. Plastic cannot breathe, which allows condensation to form and will cause your unit to rust.

**IMPORTANT:** Never cover mower while engine and exhaust areas are still warm.

**CAUTION:** Never store the lawn mower with gasoline in the tank inside a building where fumes may reach an open flame or spark. Allow the engine to cool before storing in any enclosure.

**TROUBLESHOOTING - See appropriate section in manual unless directed to a Sears Service Center.**

PROBLEM	CAUSE	CORRECTION
Does not start	<ol style="list-style-type: none"> <li>1. Dirty air filter.</li> <li>2. Out of fuel.</li> <li>3. Stale fuel.</li> <li>4. Water in fuel.</li> <li>5. Spark plug wire is disconnected.</li> <li>6. Bad spark plug.</li> <li>7. Loose blade or broken blade adapter.</li> <li>8. Control bar in released position.</li> <li>9. Control bar defective.</li> <li>10. Fuel valve lever (if so equipped) in OFF position.</li> <li>11. Weak battery (if equipped).</li> <li>12. Disconnected battery connector (if equipped).</li> </ol>	<ol style="list-style-type: none"> <li>1. Clean/replace air filter.</li> <li>2. Fill fuel tank.</li> <li>3. Drain tank and refill with fresh, clean fuel.</li> <li>4. Drain fuel tank and carburetor and refill tank with fresh gasoline.</li> <li>5. Connect wire to plug.</li> <li>6. Replace spark plug.</li> <li>7. Tighten blade bolt or replace blade adapter.</li> <li>8. Depress control bar to handle.</li> <li>9. Replace control bar.</li> <li>10. Turn fuel valve lever to the ON position.</li> <li>11. Charge battery.</li> <li>12. Connect battery to engine.</li> </ol>
Loss of power	<ol style="list-style-type: none"> <li>1. Rear of lawn mower housing or cutting blade dragging in heavy grass.</li> <li>2. Cutting too much grass.</li> <li>3. Dirty air filter.</li> <li>4. Buildup of grass, leaves, and trash under mower.</li> <li>5. Too much oil in engine.</li> <li>6. Walking speed too fast.</li> </ol>	<ol style="list-style-type: none"> <li>1. Set to "Higher Cut" position.</li> <li>2. Set to "Higher Cut" position.</li> <li>3. Clean/replace air filter.</li> <li>4. Clean underside of mower housing.</li> <li>5. Check oil level.</li> <li>6. Cut at slower walking speed.</li> </ol>



**TROUBLESHOOTING - See appropriate section in manual unless directed to a Sears Service Center.**

<b>PROBLEM</b>	<b>CAUSE</b>	<b>CORRECTION</b>
<b>Poor cut – uneven</b>	<ol style="list-style-type: none"> <li>1. Worn, bent or loose blade.</li> <li>2. Wheel heights uneven.</li> <li>3. Buildup of grass, leaves and trash under mower.</li> </ol>	<ol style="list-style-type: none"> <li>1. Replace blade. Tighten blade bolt.</li> <li>2. Set all wheels at same height.</li> <li>3. Clean underside of mower housing.</li> </ol>
<b>Excessive vibration</b>	<ol style="list-style-type: none"> <li>1. Worn, bent or loose blade.</li> <li>2. Bent engine crankshaft.</li> </ol>	<ol style="list-style-type: none"> <li>1. Replace blade. Tighten blade bolt.</li> <li>2. Contact a Sears or other qualified service center.</li> </ol>
<b>Starter rope hard to pull</b>	<ol style="list-style-type: none"> <li>1. Engine flywheel brake is on when control bar is released.</li> <li>2. Bent engine crankshaft.</li> <li>3. Blade adapter broken.</li> <li>4. Blade dragging in grass.</li> </ol>	<ol style="list-style-type: none"> <li>1. Depress control bar to upper handle before pulling starter rope.</li> <li>2. Contact a Sears or other qualified service center.</li> <li>3. Replace blade adapter.</li> <li>4. Move lawn mower to cut grass or to hard surface.</li> </ol>
<b>Grass catcher not filling (If so equipped)</b>	<ol style="list-style-type: none"> <li>1. Cutting height too low.</li> <li>2. Lift on blade worn off.</li> <li>3. Catcher not venting air.</li> </ol>	<ol style="list-style-type: none"> <li>1. Raise cutting height.</li> <li>2. Replace blade.</li> <li>3. Clean grass catcher.</li> </ol>
<b>Hard to push</b>	<ol style="list-style-type: none"> <li>1. Grass is too high or wheel height is too low.</li> <li>2. Rear of lawn mower housing or cutting blade dragging in grass.</li> <li>3. Grass catcher too full.</li> <li>4. Handle height position not right for you.</li> </ol>	<ol style="list-style-type: none"> <li>1. Raise cutting height.</li> <li>2. Raise rear of lawn mower housing one (1) setting higher.</li> <li>3. Empty grass catcher.</li> <li>4. Adjust handle height to suit.</li> </ol>
<b>Loss of drive or slowing of drive speed</b>	<ol style="list-style-type: none"> <li>1. Belt wear.</li> <li>2. Belt off of pulley.</li> <li>3. Drive cable worn or broken.</li> <li>4. Dirt in drive pinions.</li> </ol>	<ol style="list-style-type: none"> <li>1. Check/replace drive belt.</li> <li>2. Check/reinstall drive belt.</li> <li>3. Replace drive cable.</li> <li>4. Clean drive pinions.</li> </ol>

## TABLA DE MATERIAS

Garantía .....	19	Especificaciones del Producto .....	29
Reglas de Seguridad .....	19-21	Servicio y Ajustes .....	32
Montaje/Pre-Operación .....	22	Almacenamiento .....	33-34
Operación .....	23-27	Identificación de problemas .....	34-35
Mantenimiento .....	28-31	Partes de repuesto .....	Vea el manual inglés del dueño
Programa de Mantenimiento .....	29	Servicio Sears .....	Contratapa

## GARANTÍA

### GARANTÍA LIMITADA DE DOS AÑOS PARA LA SEGADORA A MOTOR CRAFTSMAN

Por dos (2) años, a partir de la fecha de compra, cuando esta Segadora Craftsman se mantenga, lubrique y afine según las instrucciones para la operación y el mantenimiento en el manual del dueño, Sears reparará gratis todo defecto en el material y la mano de obra.

Si la Segadora Craftsman se usa para fines comerciales o de arriendo, esta garantía sólo se aplica por noventa (90) días a partir de la fecha de compra.

Esta Garantía no cubre:

- Artículos que se desgastan durante el uso normal tales como las cuchillas segadoras rotatorias, los adaptadores de la cuchilla, las correas, los filtros de aire y las bujías.
- Reparaciones necesarias debido al abuso o a la negligencia del operador, incluyéndose a los cigüeñales doblados y a la falta de mantenimiento del equipo según las instrucciones que se incluyen en el manual del dueño.

EL SERVICIO DE GARANTÍA ESTA DISPONIBLE al devolver la segadora a motor Craftsman al centro/ departamento de servicio Sears mas cercano en los Estados Unidos. Esta garantía se aplica solamente mientras el producto este en uso en los Estados Unidos.

Esta Garantía le otorga derechos legales específicos, y puede que también tenga otros derechos que varían de estado a estado.

Sears, Roebuck and Co., D/817WA, Hoffman Estates, IL 60179 USA

## REGLAS DE SEGURIDAD

**IMPORTANTE:** Esta máquina cortadora es capaz de amputar las manos y los pies y de lanzar objetos. Si no se observan las instrucciones de seguridad siguientes se pueden producir lesiones graves o la muerte.

**⚠** Busque este símbolo que señala las precauciones de seguridad de importancia. Quiere decir – ¡¡¡ATENCIÓN!!! ESTE ALERTO!!! SU SEGURIDAD ESTA COMPROMETIDA.

**⚠** **ADVERTENCIA:** Siempre desconecte el alambre de la bujía y póngalo donde no pueda entrar en contacto con la bujía, para evitar el arranque por accidente, durante la preparación, el transporte, el ajuste o cuando se hacen reparaciones.

**⚠** **ADVERTENCIA:** Los bornes, terminales y accesorios relativos de la batería contienen plomo o compuestos de plomo, productos químicos conocidos en el Estado de California como causa de cáncer y defectos al nacimiento u otros daños reproductivos. **Lavar las manos después de manipularlos.**

**⚠** **PRECAUCIÓN:** El tubo de escape del motor, algunos de sus constituyentes y algunos componentes del vehículo contienen o desprenden productos químicos conocidos en el Estado de California como causa de cáncer y defectos al nacimiento u otros daños reproductivos.

**⚠** **PRECAUCIÓN:** El silenciador y otras piezas del motor llegan a ser extremadamente calientes durante la operación y siguen siendo calientes después de que el motor haya parado. Para evitar quemaduras severas, permanezca lejos de estas áreas.



## I. OPERACION

- Antes de empezar, debe familiarizarse completamente con los controles y el uso correcto de la maquina. Para esto, debe leer y comprender todas las instrucciones que aparecen en la maquina y en los manuales de operación.
- No ponga las manos o los pies cerca o debajo de las partes rotatorias. Manténgase siempre lejos de la abertura de la descarga.
- Permita que solamente las personas responsables que estén familiarizadas con las instrucciones operen la máquina.
- Despeje el área de objetos tales como piedras, juguetes, alambres, huesos, palos, etc. que pueden ser recogidos y lanzados por las cuchillas.
- Asegúrese que el área no se hallen personas, antes de segar. Pare la máquina si alguien entra en el área.
- No opere la maquina sin zapatos o con sandalias abiertas. Póngase siempre zapatos sólidos.
- No tire de la segadora hacia atrás a menos que sea absolutamente necesario. Mire siempre hacia abajo y hacia detrás antes y mientras que se mueve hacia atrás.
- No opere la segadora sin los respectivos resguardos, las placas, el recogedor de césped u otros aditamentos diseñados para su protección y seguridad.
- Refiérase a las instrucciones del fabricante para el funcionamiento e instalación de accesorios. Use únicamente accesorios aprobados por el fabricante.
- Detenga la cuchilla o las cuchillas cuando cruce por calzadas, calles o caminos de grava.
- Parar el motor cada vez que se abandona el aparato, antes de limpiar la segadora o de remover residuos del tubo.
- Apagar el motor y esperar hasta que las cuchillas estén completamente paradas antes de remover el receptor de hierba.
- Segar solamente con luz del día o con una buena luz artificial.
- No opere la máquina bajo la influencia del alcohol o de las drogas.
- Nunca opere la maquina cuando la hierba esté mojada. Asegúrese siempre de tener buena tracción en sus pies; mantenga el mango firmemente y camine; nunca corra.
- Desconectar el mecanismo de propulsión autónoma o el embrague de transmisión en las segadoras que lo tienen antes de poner en marcha el motor.
- Si el equipo empezara a vibrar de una manera anormal, pare el motor y revise de inmediato para averiguar la causa. Generalmente la vibración suele indicar que existe alguna avería.
- Siempre use gafas de seguridad o anteojos con protección lateral cuando opere la segadora.

## II. OPERACION SOBRE LAS CUESTAS

Los accidentes ocurren con más frecuencia en las cuestas. Estos accidentes ocurren debido a resbaladas o caídas, las cuales pueden resultar en graves lesiones. Operar la recortadora en cuestas requiere mayor concentración. Si se siente inseguro en una cuesta, no la recorte.

### HACER:

- Puede recortar a través de la superficie de la cuesta, nunca hacia arriba y hacia abajo. Proceda con extrema precaución cuando cambie de dirección en las cuestas.
- Renueve todos los objetos extraños, tales como guijarros, ramas, etc.
- Debe prestar atención a hoyos, baches o protuberancias. Recuerde que la hierba alta puede esconder obstáculos.

### NO HACER:

- No recorte cerca de pendientes, zanjas o terraplenes. El operador puede perder la tracción en los pies o el equilibrio.
- No recorte cuestas demasiado inclinadas.
- No recorte en hierba mojada. La reducción en la tracción de la pisada puede causar resbalones.

## III. NIÑOS

Se pueden producir accidentes trágicos si el operador no presta atención a la presencia de los niños. A menudo, los niños se sienten atraídos por la máquina y por la actividad de la siega. Nunca suponga que los niños van a permanecer en el mismo lugar donde los vio por última vez.

- Mantenga a los niños alejados del área de la siega y bajo el cuidado estricto de otra persona adulta responsable.
- Esté alerta y apague la máquina si hay niños que entran al área.
- Antes y cuando este retrocediendo, mire hacia atrás y hacia abajo para verificar si hay niños pequeños.
- Nunca permita que los niños operen la máquina.
- Tenga un cuidado extra cuando se acerque a esquinas donde no hay visibilidad, a los arbustos, árboles u otros objetos que pueden interferir con su línea de visión.

## IV. SERVICIO

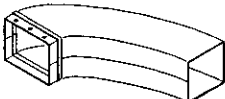

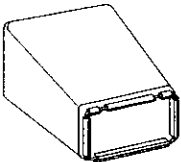
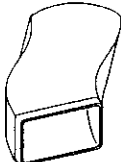

- Tenga cuidado extra al manejar la gasolina y los demás combustibles. Son inflamables y los gases son explosivos.
  - Use solamente un envase aprobado.
  - Nunca remueva la tapa del depósito de gasolina o agregue combustible con el motor funcionando. Permita que el motor se enfríe antes de volver a poner combustible. No fume.
  - Nunca vuelva a poner combustible en la máquina en recintos cerrados.
  - Nunca almacene la máquina o el envase del combustible dentro de algún lugar en donde haya una llama expuesta, tal como la del calentador de agua.

- Nunca haga funcionar una máquina dentro de un área cerrada.
- Nunca haga ajustes o reparaciones mientras el motor esté en marcha. Desconecte el cable de la bujía, y manténgalo a cierta distancia de ésta para prevenir un arranque accidental.
- Mantenga las tuercas y los pernos, especialmente los pernos del accesorio de la cuchilla, apretados y mantenga el equipo en buenas condiciones.
- Nunca manipule de forma indebida los dispositivos de seguridad. Controle regularmente su funcionamiento correcto.
- Mantenga la máquina libre de hierba, hojas u otras acumulaciones de desperdicio. Limpie los derrames de aceite o combustible. Permita que la máquina se enfríe antes de almacenarla.
- Pare e inspeccione el equipo si le pega a un objeto. Repárelo, si es necesario, antes de hacerlo arrancar.
- En ningún caso hay que regular la altura de las ruedas mientras el motor está en marcha.
- Los componentes del receptor de la hierba van sujetos a desgaste, daños y deterioro, que pueden exponer las partes en movimiento o permitir que objetos sean disparados. Controlar frecuentemente y cuando sea necesario sustituir con partes aconsejadas por el fabricante.
- Las cuchillas de la segadora están afiladas y pueden cortar. Cubrir las hojas o llevar guantes, y utilizar precauciones especiales cuando se efectúa mantenimiento sobre las mismas.
- No cambie el ajuste del regulador del motor ni exceda su velocidad.

## ACCESORIOS PARA LA SEGADORA

Estos accesorios estaban disponibles cuando se produjo la segadora. No son facilitados junto al cortacesped. Están disponibles en la mayoría de las tiendas de Sears y en los centros de servicio. La mayoría de las tiendas Sears también pueden mandar a pedir partes de repuesto para usted, si les proporciona el número del modelo de su segadora. Algunos de estos accesorios tal vez no se apliquen a su segadora.

### RENDIMIENTO DE LA SEGADORA

 <p><b>DESVIADOR DE RECORTES PARA SEGADORAS CON DESCARGA TRASERA</b></p>	 <p><b>JUEGO PARA LA ACOLCHADORA</b></p>	 <p><b>ESTABILIZADORES</b></p>
 <p><b>RECOREDOR PARA SEGADORAS CON DESCARGA TRASERA</b></p>	 <p><b>RECOREDOR PARA SEGADORAS CON DESCARGA LATERAL</b></p>	 <p><b>ENVASES DE GASOLINA</b></p>

### MANTENIMIENTO DE LA SEGADORA

 <p><b>SILENCIADORES</b></p>		 <p><b>FILTROS DE AIRE</b></p>		 <p><b>BUJÍAS</b></p>
 <p><b>CORREAS</b></p>	 <p><b>CUCHILLAS</b></p>	 <p><b>ADAPTADORES DE CUCHILLA</b></p>	 <p><b>RUEDAS</b></p>	 <p><b>ACEITE DEL MOTOR</b></p>

## MONTAJE/PRE-OPERACIÓN

Lea estas instrucciones y el manual completamente antes de tratar de montar u operar su segadora nueva.

**IMPORTANTE:** Este cortacesped viene SIN ACEITE O GASOLINA en el motor.

Su segadora nueva ha sido montada en la fábrica con la excepción de aquellas partes que se dejaron sin montar por razones de envío. Todas las partes como las tuercas, las arandelas, los pernos, etc., que son necesarias para completar el montaje han sido colocadas en la bolsa de partes. Para asegurarse que su segadora funcione en forma segura y adecuada, todas las partes y los artículos de ferretería que se monten tienen que ser apretados seguramente. Use las herramientas correctas, como sea necesario, para asegurar que se aprieten adecuadamente.

### PARA REMOVER LA SEGADORA DE LA CAJA DE CARTÓN

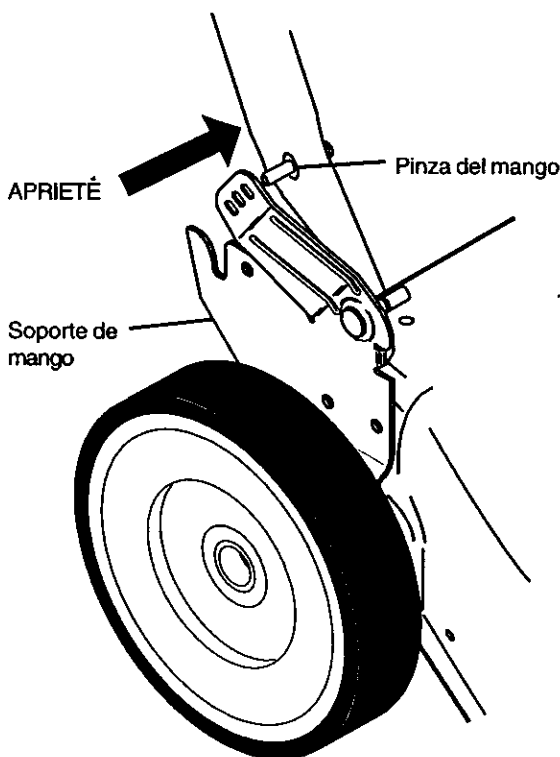
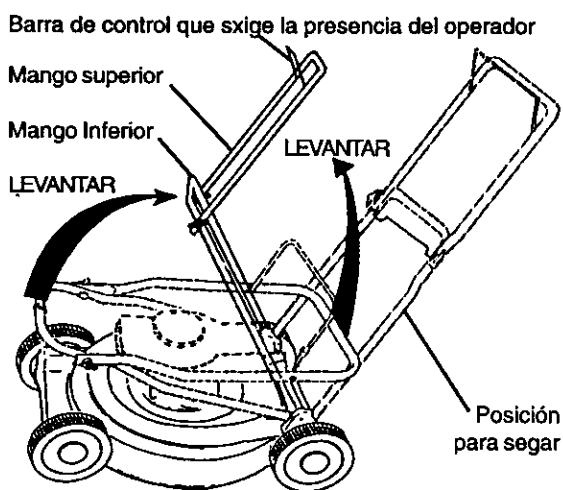
1. Remueva las partes sueltas que se incluyen con la segadora.
2. Corte las dos esquinas de los extremos de la caja de cartón y tienda el panel del extremo plano.
3. Remueva todo el material de empaque, excepto la cuña entre el mango superior y el inferior, y la cuña que sujeta la barra de control que exige la presencia del operador junto con el mango superior.
4. Haga rodar la segadora hacia afuera de la caja de cartón y revísela cuidadosamente para verificar si todavía quedan partes sueltas adicionales.

### COMO PREPARAR SU SEGADORA PARA DESDOBLAR EL MANGO

**IMPORTANTE:** Despliegue el mango con mucho cuidado para no pellizcar o dañar los cables de control.

1. Levante la sección del mango inferior a la posición de operación y presione las extremidades inferiores del mando inferior una en contra una de la otra hasta que la pinza del mando pueda ser insertada en uno de los tres agujeros del control de la altura.
2. Levante la sección del mango superior hasta la posición de operación, remueva la cuña protectora y apriete las manillas del mango en forma segura.
3. Remueva el material de empaque de alrededor de la barra de control.

Sus mangos pueden ajustarse para que le acomode al segar. Refiérase a "AJUSTE DEL MANGO" en la sección de Servicio y Ajustes en este manual.



### PARA INSTALAR LOS ACCESORIOS

Su segadora fue enviada lista para usarse como una acolchadora de capa vegetal. Para convertirla de modo que pueda ensacar, refiérase a "PARA CONVERTIR LA SEGADORA" en la Sección de Operación de este manual.

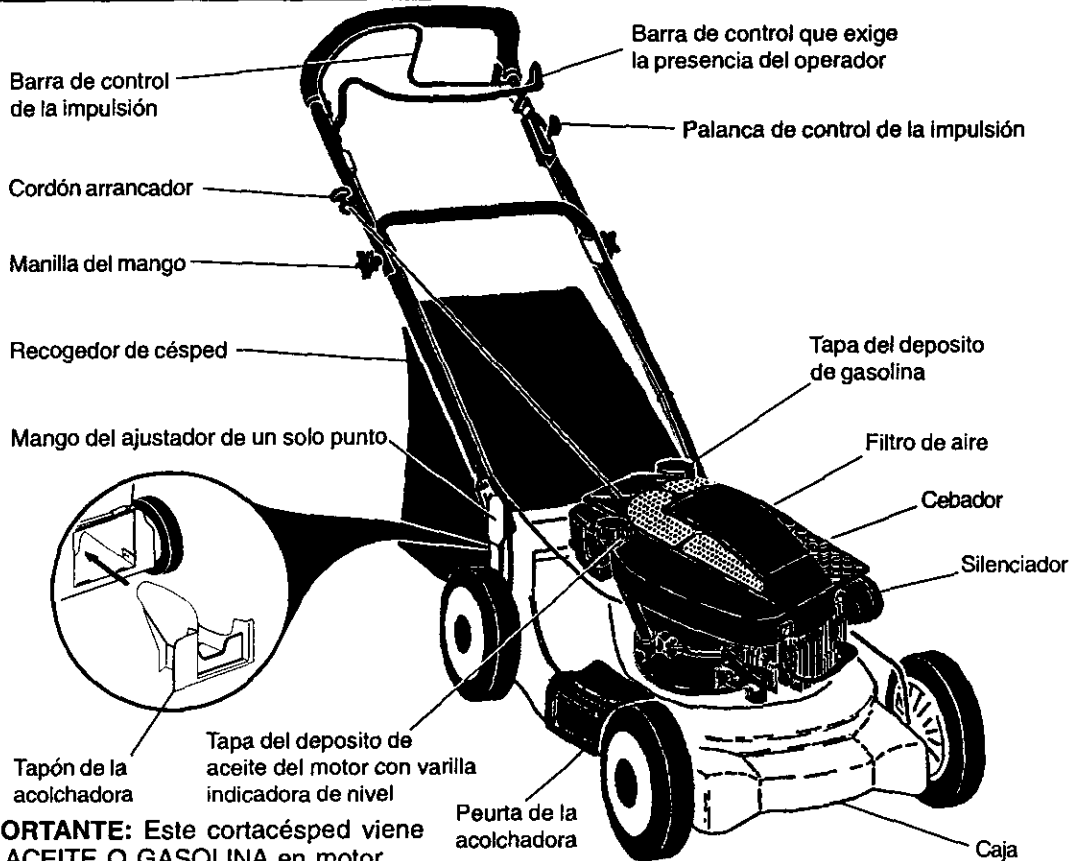
# OPERACIÓN

## FAMILIARÍCESE CON SU SEGADORA

LEA ESTE MANUAL DEL DUEÑO Y LAS REGLAS DE SEGURIDAD ANTES DE OPERAR SU SEGADORA.

Compare las ilustraciones con su segadora para familiarizarse con la ubicación de los diversos controles y ajustes. Guarde este manual para referencia en el futuro.

Estos símbolos pueden aparecer sobre su segadora o en la literatura proporcionada con el producto. Aprenda y comprenda sus significados.



**IMPORTANTE:** Este cortacésped viene SIN ACEITE O GASOLINA en motor.

### CUMPLE CON LOS REQUISITOS DE SEGURIDAD DE LA CPSC

Las segadoras a motor, que se conducen desde la parte de atrás, rotatorias, Sears, cumplen con los estándares de seguridad del American National Standards Institute y de la U.S. Consumer Product Safety Commission. La cuchilla gira cuando el motor está funcionando.

**Barra de control que exige la presencia del operador** – tiene que sujetarse abajo, junto con el mango, para hacer arrancar el motor. Suéltela para parar el motor.

**Mango del ajustador de un solo punto** – se usa para ajustar la altura de corte de la segadora.

**Puerta de la acolchadora** – permite la conversión para la operación de descarga o ensacado.

**Palanca de control de la impulsión** – se usa para enganchar la segadora para movimiento hacia adelante impulsada a motor.

**Cebador** – bombea combustible adicional desde el carburador al cilindro para uso cuando se necesita hacer arrancar un motor frío.

**Cordón arrancador** – se usa para hacer arrancar el motor.

**Barra de control de la impulsión** – se usa para enganchar la segadora para movimiento hacia adelante impulsada a motor.

**Tapón de la acolchadora** – situada en la abertura de la descarga trasera y debe ser quitada cuando se convierte la operación de ensacado a descarga.



La operación de cualquier segadora puede hacer que salten objetos extraños dentro de sus ojos, lo que puede producir daños graves en éstos. Siempre use anteojos de seguridad o protección para los ojos mientras opere su segadora o cuando haga ajustes o reparaciones. Recomendamos gafas o una máscara de seguridad de visión amplia de seguridad usada sobre las gafas.

## COMO USAR SU SEGADORA CONTROL DE LA VELOCIDAD DEL MOTOR

La velocidad del motor se estableció en la fábrica para un rendimiento óptimo. La velocidad no se puede ajustar.

### CONTROL DE ZONA DEL MOTOR

**PRECAUCIÓN:** Las regulaciones federales exigen que se instale un control para el motor en esta segadora para reducir a un mínimo el riesgo de lesionarse debido al contacto con la cuchilla. Por ningún motivo trate de eliminar la función del control del operador. La cuchilla gira cuando el motor está funcionando.

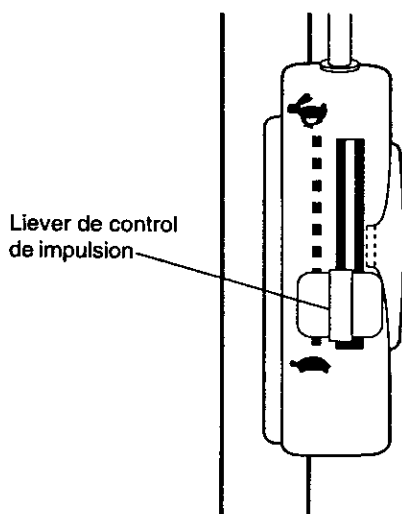
- Su segadora viene equipada con una barra de control que exige la presencia del operador, lo que requiere que el operador esté detrás del mango de la segadora para hacerla arrancar y operarla.

### IMPULSIÓN DE RECORRIDO DE VARIAS VELOCIDADES

Le segadora dispone de varias velocidades y permite de escoger la más conveniente.

- Seleccionar la velocidad más baja para cortar o chapodar hierba tupida y pesada.
- Seleccionar la velocidad media para cortar o chapodar hierba normal.
- Seleccionar la velocidad más elevada para cortar hierba no demasiado tupida o para transportar tierra.

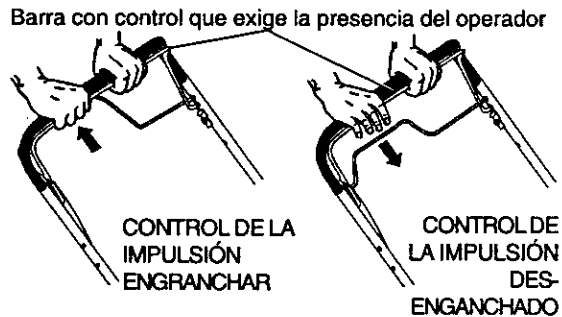
**AVISO:** Mover la palanca para seleccionar la velocidad sólo si el motor está en marcha.



## EL IMPULSIÓN

- La velocidad de recorrido puede ser seleccionada moviendo la palanca de control de la impulsión a la posición deseada.
- Para habilitar la marcha adelante, tirar la barra de mando hacia el mango.
- Para parar el movimiento hacia adelante, alivie la barra de control de la impulsión.

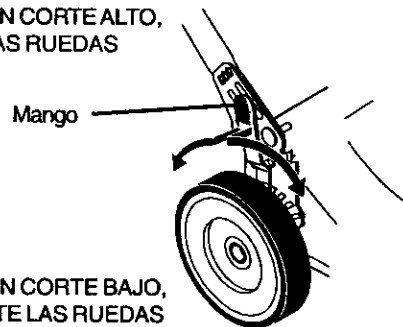
**IMPORTANTE:** Durante la utilización, guarde siempre la barra de control de la impulsión en contra del mango.



### PARA AJUSTAR LA ALTURA DE CORTE

- Las cuatro ruedas son ajustadas con una palanca única.
- Tire de la palanca de ajustes hacia la rueda. Levante la segadora, mueva la palanca hasta delante a la posición deseada. Para bajar la segadora, mueva la palanca hacia la retaguardia.

PARA UN CORTE ALTO, BAJE LAS RUEDAS

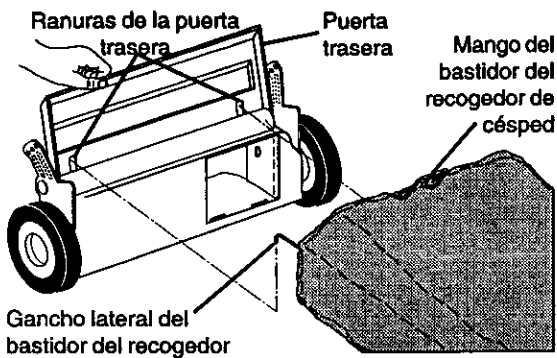


PARA UN CORTE BAJO, LEVANTE LAS RUEDAS

### PARA MONTAR Y ADJUNTAR EL RECOGEDOR DE CÉSPED

1. Levante la puerta trasera de la segadora de césped y ponga el marco del recogedor de césped a dentro de las ranuras de la puerta trasera.
2. El recogedor de césped queda asegurado en la caja de la segadora cuando se baja la puerta trasera para descansar en el bastidor del recogedor de césped.

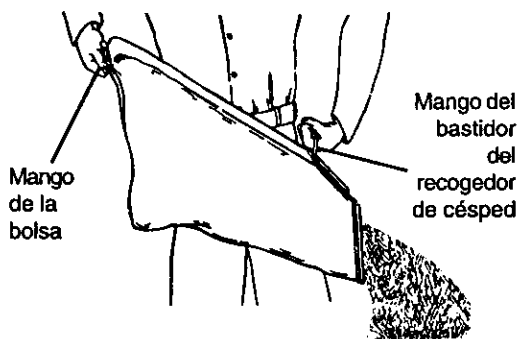
**PRECAUCIÓN:** No haga funcionar su segadora sin el tapón de la acolchadora o sin el recogedor de césped, aprobados, en su lugar. Nunca trate de operar la segadora cuando se ha removido la puerta trasera o cuando está un poco abierta.



### PARA VACIAR EL RECOGEDOR DE CÉSPED

1. Levante el recogedor de césped usando el mango del bastidor.
2. Remueva el recogedor de césped, con los recortes, de debajo del mango de la segadora.
3. Vacíe los recortes de la bolsa usando tanto el mango del bastidor como el de la bolsa.

**AVISO:** No arrastre la bolsa cuando la vacíe; se producirá un desgaste innecesario.

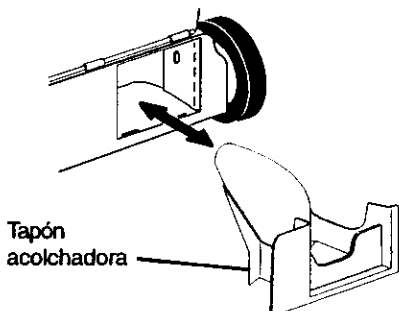


### PARA CONVERTIR LA SEGADORA

Su segadora fue enviada lista para usarse como acolchadora de capa vegetal. Para convertirla a una operación de ensacado o de descarga:

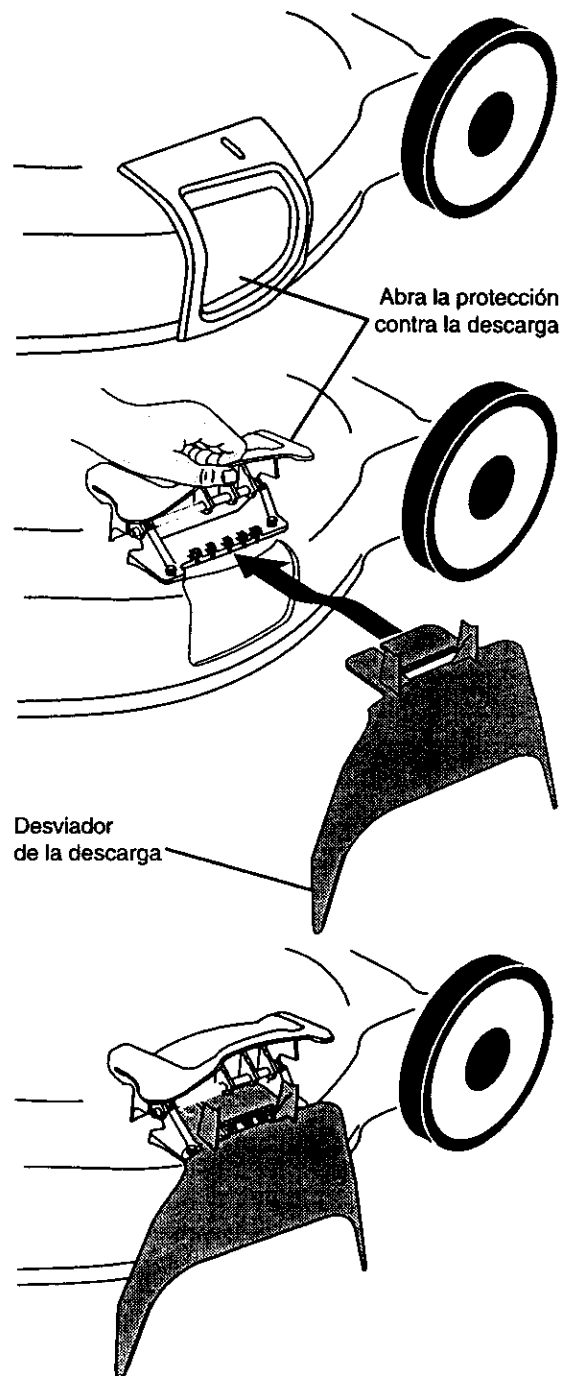
#### SEGADORAS CON DESCARGA TRASERA

- Abra la puerta trasera y remueva la tapón acolchadora. Guárdela en un lugar seguro.
- Puede ahora instalar el recogedor del césped.
- Para volver a la operación de acolchamiento o descarga, el tapón acolchador en la abertura de descarga de la segadora.



#### SEGADORAS CON DESCARGA LATERAL

- La tapón acolchadora debe ser instalada adentro de la abertura de la descarga trasera.
- Abra la protección contra la descarga y instale el desviador de contra la descarga debajo de la protección como se muestra.
- La segadora esta lista para la operación de la descarga.
- Para convertir a la operación de ensacado o de descarga, el desviador de la descarga debe ser removido y la protección contra la descarga debe estar cerrada.



## PASOS SIMPLES DE RECORDAR CUANDO CONVIERTA SU SEGADORA

### PARA ACOLCHAMIENTO -

1. La tapón acolchadora trasera instalada.
2. La protección contra la descarga lateral cerrada.

### PARA ENSACAMIENTO TRASERO -

1. La tapón acolchadora trasera removida.
2. Recogedor del césped instalado.
3. La protección contra la descarga lateral cerrada.

### PARA DESCARGA LATERAL-

1. La tapón acolchadora trasera instalada.
2. La protección contra la descarga lateral instalada.

**⚠ PRECAUCIÓN:** No haga funcionar su segadora sin la tapón de la acolchadora aprobada o sin el recogedor césped aprobados en su lugar. Nunca trate de operar la segadora cuando se halla removido la puerta trasera o cuando está un poco abierta.

## ANTES DE HACER ARRANCAR EL MOTOR

### AGREGUE ACEITE

Su segadora fue enviada sin aceite en el motor. Para el tipo y el grado del aceite a utilizar, vea el "MOTOR" en la sección del Mantenimiento de este manual.

**⚠ PRECAUCIÓN:** NO sobrellene el motor con aceite, o fumará cuando lo valla a arrancar.

1. Asegúrese que la segadora esté nivelada y que el área alrededor del depósito de aceite esté limpia.
  2. Remueva la varilla medidora de aceite del tubo de descarga de aceite. Asegúrese que el borde del tubo de relleno de aceite este limpio.
  3. Usted recibe un envase de aceite con la unidad. Vierta lentamente 3/4 (15 onzas) de aceite en el tubo de relleno del motor.
  4. Permita que el aceite se asiente. Inserte y apriete la varilla medidora de aceite, después remuevala para leer el nivel de aceite.
  5. Continúe agregando cantidades pequeñas de aceite y vuelva a inspeccionar la varilla medidora hasta que lea lleno (FULL). NO sobrellene el motor con aceite, o fumará cuando lo valla a arrancar.
  6. Asegúrese de apretar la varilla medidora del aceite antes de arrancar el motor.
- Revise el nivel del aceite antes de cada uso. Agregue aceite si es necesario. Llene hasta la línea de lleno en la varilla medidora de nivel.

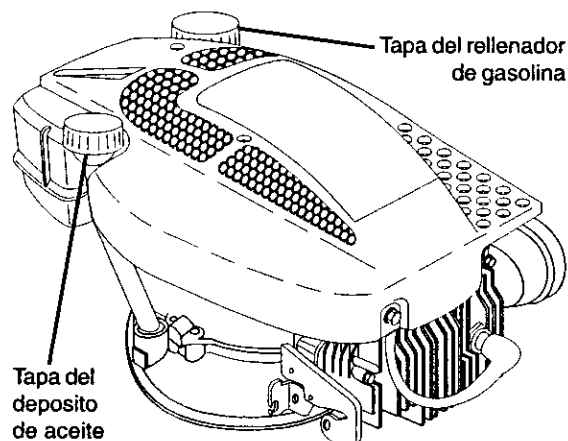
- Cambie el aceite después de 25 horas de operación o una vez por temporada. Puede necesitar cambiar el aceite más a menudo cuando las condiciones son polvorosas o sucias.

### AGREGUE GASOLINA

- Llene el estanque de combustible hasta la parte inferior del cuello de relleno del estanque de gasolina. No lo llene demasiado. Use gasolina regular, sin plomo, nueva y limpia con el mínimo de 87 octanos. No mezcle el aceite con la gasolina. Para asegurar que la gasolina utilizada sea fresca compre estanques los cuales puedan ser utilizados durante los primeros 30 días.

**⚠ PRECAUCIÓN:** Limpie el aceite o el combustible derramado. No almacene, derrame o use gasolina cerca de una llama expuesta.

**⚠ PRECAUCIÓN:** Los combustibles mezclados con alcohol (conocidos como gasohol, o el uso de etanol o metanol) pueden atraer la humedad, la que conduce a la separación y formación de ácidos durante el almacenamiento. La gasolina ácida puede dañar el sistema del combustible de un motor durante el almacenamiento. Para evitar los problemas con el motor, se debe vaciar el sistema del combustible antes de guardarlo por un período de 30 días o más. Vacíe el estanque del combustible, haga arrancar el motor y hágalo funcionar hasta que las líneas del combustible y el carburador queden vacíos. La próxima temporada use combustible nuevo. Vea las Instrucciones Para El Almacenamiento para más información. Nunca use productos de limpieza para el motor o para el carburador en el estanque del combustible pues se pueden producir daños permanentes.



## PARA HACER ARRANCAR EL MOTOR

**NOTA:** Debido a las capas protectoras del motor, una cantidad pequeña de humo puede estar presente durante el uso inicial del producto y se debe considerar normal.

1. Para hacer arrancar un motor frío, empuje el cebador tres (3) veces antes de tratarlo. Empuje firmemente. Este paso normalmente no es necesario cuando se hace arrancar un motor que ya ha estado funcionando por unos cuantos minutos.
2. Sujete la barra de controles que exigen la presencia del operador abajo en el mango y tire el mango del arrancador rápidamente. No permita que el cordón del arrancador se devuelva abruptamente.

## PARA PARAR EL MOTOR

- Para parar el motor, suelte la barra de controles que exigen la presencia del operador.

**AVISO:** En climas más fríos puede que sea necesario repetir los pasos del cebado. En climas más calurosos el cebar demasiado puede producir el ahogo y el motor no va a arrancar. Si se ahoga el motor espere unos cuantos minutos antes de tratar de hacerlo arrancar y no repita los pasos del cebado.

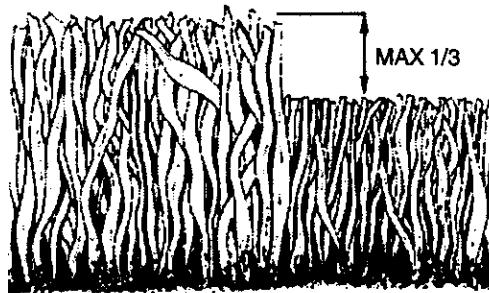
## CONSEJOS PARA SEGAR

- Bajo ciertas condiciones, tal como césped muy alto, puede ser necesario el elevar la altura del corte para reducir el esfuerzo necesario para empujar la segadora y para evitar sobrecargar el motor, dejando montones de recortes de césped. Puede que sea necesario reducir la velocidad del recorrido y/o haga funcionar la segadora sobre el área por segunda vez.
- Para un corte muy pesado, reduzca el ancho del corte pasando parcialmente por encima del lugar anteriormente cortado y siegue lentamente.
- Para un mejor ensacado del césped y para la mayoría de las condiciones de corte, la velocidad del motor debe ajustarse a la posición de rápido.
- Los poros en los recogedores de césped de tela pueden llenarse con mugre y polvo con el uso y los recogedores recaudarán menos césped. Para evitar esto, rocíe el recogedor con la manguera de agua, regularmente, y déjelo secarse antes de usarlo.
- Mantenga la parte superior del motor, alrededor del arrancador, despejada y sin recortes de césped y paja. Esto ayudará el flujo del aire del motor y extenderá su duración.

## CONSEJOS PARA SEGAR Y ACOLCHAR

**IMPORTANTE:** Para obtener el mejor rendimiento mantenga la caja de la segadora sin acumulación de césped y basura. Vea "LIMPIEZA" en la sección de Mantenimiento de este manual.

- La cuchilla acolchadora especial va a volver a cortar los recortes de césped muchas veces, y los reduce en tamaño, de modo que si se caen en el césped se van a dispersar entre éste y no se van a notar. También, el césped acolchado se va a deshacer rápidamente entregando sustancias nutritivas para el césped. Siempre acolche con la velocidad del motor (cuchilla) más alta, pues así se obtendrá la mejor acción de recorte de las cuchillas.
- Evite cortar el césped cuando esté mojado. El césped mojado tiende a formar montones e interfiere con la acción de acolchado. La mejor hora para segar el césped es temprano en la tarde. A esa hora éste se ha secado y el área recién cortada no quedará expuesta al sol directo.
- Para obtener los mejores resultados, ajuste la altura del corte de la segadora de modo que ésta corte solamente el tercio superior de las hojas de césped. En el caso de que el césped haya crecido demasiado, puede ser necesario el elevar la altura del corte para reducir el esfuerzo necesario para empujar la segadora y para evitar sobrecargar el motor, dejando montones de recortes de césped. Para un césped muy pesado, reduzca el ancho del corte pasando por encima del lugar anteriormente cortado y siegue lentamente.



- Ciertos tipos de césped y sus condiciones pueden exigir que un área tenga que ser acolchada por segunda vez para esconder completamente los recortes. Cuando se haga el segundo corte, siegue atravesado o en forma perpendicular a la pasada del primer corte.
- Cambie su patrón de corte de semana a semana. Siegue de norte a sur una semana y luego cambie de este a oeste la próxima semana. Esto evitará que el césped se enrede y cambie de dirección.

# MANTENIMIENTO

## PROGRAMA DE MANTENIMIENTO

LLENE LAS FECHAS A MEDIDA  
QUE COMPLETE SU SERVICIO REGULAR

		ANTES DE CADA USO	DESPUES DE CADA USO	CADA 10 HORAS	CADA 25 HORAS O CADA TEMPORADA	CADA 100 HORAS	ANTES DEL ALMACENAMIENTO	FECHAS DE SERVICIO			
S E G A D O R A	Revisar si hay sujetadores sueltos	✓					✓				
	Limpiar/inspeccionar el recogedor de césped (si viene equipado)	✓	✓				✓				
	Limpiar la segadora		✓				✓				
	Limpiar debajo de la cubierta de la transmisión (segadoras con poder propulsor)			✓							
	Revisar las correas y las poleas impulsadas (segadoras con poder propulsor)				✓						
	Revisar o/afilar/cambiar la cuchilla				✓ <sub>3</sub>						
	Tabla de lubricación				✓		✓				
Limpiar la batería/recargar (segadoras con arranque eléctrico)				✓		✓ <sub>4</sub>					
M O T O R	Revisar el nivel del aceite	✓									
	Cambiar el aceite del motor				✓ <sub>1,2</sub>						
	Limpiar el filtro de aire				✓ <sub>2</sub>						
	Inspeccionar el silenciador				✓						
	Limpiar o/cambiar la bujía				✓						
	Cambiar el cartucho de papel del filtro de aire						✓ <sub>2</sub>				

1 - Cambiar más a menudo cuando se opere bajo carga pesada o en ambientes con altas temperaturas.

2 - Dar servicio más a menudo cuando se opere en condiciones sucias o polvorosas.

3 - Cambie las cuchillas más a menudo cuando siegue en terreno arenoso.

4 - Cargar por 48 horas al fin de la temporada.

## RECOMENDACIONES GENERALES

La garantía de esta segadora no cubre los artículos que han estado sujetos al abuso o a la negligencia del operador. Para recibir todo el valor de la garantía, el operador tiene que mantener la segadora según las instrucciones descritas en este manual.

Hay algunos ajustes que se tienen que hacer en forma periódica para poder mantener su unidad adecuadamente.

Todos los ajustes en la sección de Servicio y Ajustes de este manual tienen que ser revisados por lo menos un vez por cada temporada.

- Una vez al año, cambie la bujía, limpie o cambie el elemento del filtro de aire y revise si la cuchilla está desgastada. Una bujía nueva y un elemento del filtro de aire limpio/nuevo aseguran la mezcla de aire-combustible adecuada y ayudan a que su motor funcione mejor y que dure más.
- Siga el programa de mantenimiento en este manual.

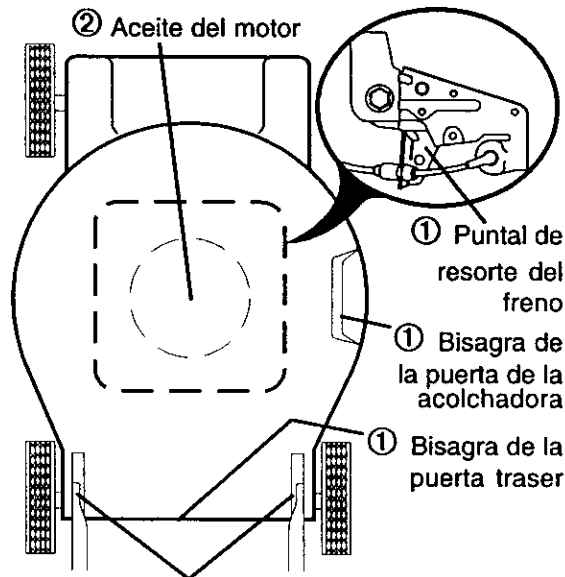
## ANTES DE CADA USO

1. Revise el nivel del aceite del motor.
2. Revise si hay sujetadores sueltos.

## LUBRICACIÓN

Mantenga la unidad bien lubricada (vea la "TABLA DE LUBRICACIÓN").

## TABLA DE LUBRICACIÓN



① Clavija de montaje del puntal del mango

① Rocíe el lubricante

② Vea "MOTOR" en la sección de Mantenimiento

**IMPORTANTE:** No aceite o engrase los rodamientos de la rueda de plástico. Los lubricantes viscosos atearan polvo y mugre, lo acortara la duracion de los rodamientos autolubricantes. Si cree que tienen que lubricarse, use losamente un lubricante tipo crafito, de polvo seco, en forma moderada.

## ESPECIFICACIONES DEL PRODUCTO

Número de Serie:	
Fecha de Compra:	
Capacidad y Tipo de Gasolina:	1.25 Cuartos (Regular sin Plomo)
Tipo de Aceite (API-SF-SJ):	SAE 30 (sobre 32°F);SAE 5W-30 (debajo 32°F)
Capacidad de Aceite:	20 Onzas
Bujía (Abertura: .030")	Champion RJ19LM o J19LM
Torsión del Perno de la Cuchilla:	35-40 ft. lbs.
<ul style="list-style-type: none"> <li>• El número del modelo y el de serie se encuentran en la calcomanía adjunta a la parte trasera de la caja de la segadora. Debe registrar tanto el número de serie como la fecha de compra y manténgalos en un lugar seguro para referencia en el futuro.</li> </ul>	

### SEGADORA

Siempre observe las reglas de seguridad cuando haga el mantenimiento.

#### LLANTAS

- Mantenga las llantas sin gasolina, aceite o sustancias químicas para control de insectos que pueden dañar la goma.
- Evite los tocones, las piedras, las grietas profundas, los objetos afilados y otros peligros que pueden dañar a las llantas.

#### CUIDADO DE LA CUCHILLA

Para obtener los mejores resultados, la cuchilla de la segadora tienen que mantenerse afilada. Cambie la cuchilla doblada o dañada.

#### PARA REMOVER LA CUCHILLA

1. Desconecte el alambre de la bujía y póngalo en donde no pueda entrar en contacto con ésta.
2. Haga descansar la segadora en su lado. Asegúrese que el filtro de aire y que el carburador queden mirando hacia arriba.
3. Use un bloque de madera entre la cuchilla y la caja de la segadora para evitar que la cuchilla gire cuando se le quite el perno.

**AVISO:** Proteja sus manos con guantes y/o envuelva la cuchilla con una tela gruesa.

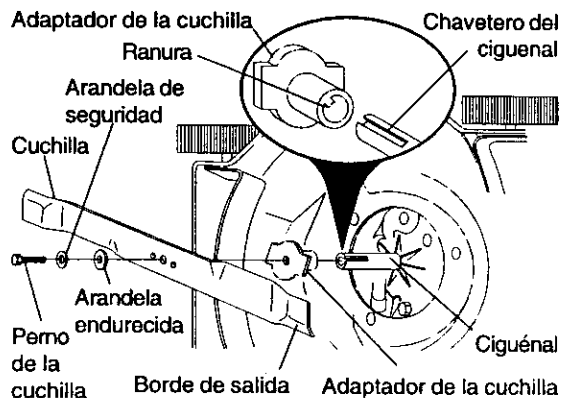
4. Remueva el perno de la cuchilla girándolo en el sentido contrario en que giran las manillas del reloj.
5. Remueva la cuchilla y los artículos de ferretería adjuntadores (el perno, la arandela de seguridad y la arandela endurecida).

**AVISO:** Remueva el adaptador de la cuchilla y revise el cubo interior de la ranura del adaptador de la cuchilla. La ranura tiene que estar en buenas condiciones para que funcione en forma adecuada. Cambie el adaptador si está dañado.

#### PARA CAMBIAR LA CUCHILLA

1. Ponga el adaptador de la cuchilla en el cigueñal del motor. Asegúrese que la ranura del adaptador y que el chavetero del cigueñal estén alineados.
  2. Ponga la cuchilla en el adaptador de ésta alineando los dos (2) agujeros en la cuchilla con las salientes elevadas en el adaptador.
  3. Asegúrese de que el borde de salida de la cuchilla (opuesto al borde afilado) esté hacia arriba hacia el motor.
  4. Instale el perno de la cuchilla con la arandela de seguridad y la arandela endurecida en el adaptador de la cuchilla y el cigueñal.
  5. Use un bloque de madera entre la cuchilla y la caja de la segadora y apriete el perno de la cuchilla girándolo en el sentido en que giran las manillas del reloj.
- La torsión para apretar recomendada es de 35 – 40 pies libras.

**IMPORTANTE:** El perno de la cuchilla es clase 8 tratado a calor.



## PARA AFILAR LA CUCHILLA

**AVISO:** No recomendamos el afilar la cuchilla – pero si lo hace, asegúrese de que quede balanceada.

Se tiene que tener cuidado de mantenerla balanceada. Una cuchilla que no está balanceada va a producir eventualmente daño en la segadora o en el motor.

- La cuchilla puede afilarse con una lima o en una rueda rectificadora. No trate de afilarla mientras se encuentra en la segadora.
- Para revisar el balance de la cuchilla, clave un clavo en una viga o en la pared. Deje alrededor de una pulgada de un clavo recto expuesto. Ponga el agujero central de la cuchilla sobre la cabeza del clavo. Si la cuchilla está balanceada debe permanecer en la posición horizontal. Si cualquiera de los extremos de la cuchilla se mueve hacia abajo, afile el extremo pesado hasta que ésta quede balanceada.

## RECOGEDOR DE CÉSPED

- El recogedor de césped puede ser rociado con el agua de la manguera pero tiene que estar seco cuando se vaya a usar.
- Revise su recogedor de césped a menudo para verificar si está dañado o deteriorado. Se va a desgastar con el uso normal. Si se necesita cambiar el recogedor, cámbielo solamente por uno que sea aprobado por el fabricante. Dé el número del modelo de la segadora cuando lo ordene.

## RUEDAS DE IMPULSIÓN

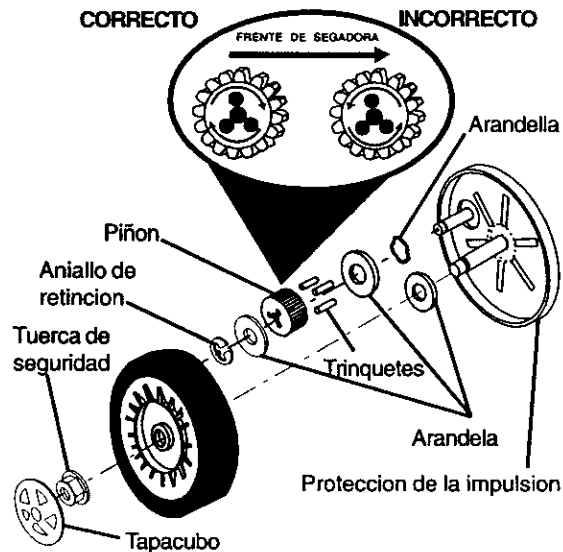
Revise las ruedas de impulsión traseras cada vez antes de segar, para asegurarse de que se mueven libremente. Si las ruedas no giran libremente quiere decir que hay basura, recortes de césped, etc. dentro del área de las ruedas de impulsión y de la cubierta contra el polvo y tienen que limpiarse para liberarlas.

Es necesario limpiar las ruedas de impulsión; revise ambas ruedas traseras.

1. Remueva los tapacubos y las tuercas de seguridad.
2. Remueva las ruedas de los ejes de los ajustadores de las ruedas.
3. Remueva la basura y los recortes de césped de dentro de la cubierta contra el polvo, piñón y/o de los dientes de los engranajes de las ruedas de impulsión.
4. Si remueve los piñones de impulsión y los trinquetes, asegúrese de no dañar el sello del piñón cuando vuelva a instalar los piñones. Límpielos y lubríquelos con grasa antes de volverlos a instalar. No utilizar aceite o grasa.

**AVISO:** Los piñones en las dos bandas de la segadora son inguales pero, de todas naneras, tienen que ser instaladas correctamente. Se no se instalan correctamente, se podría dañar el sistema de encendido.

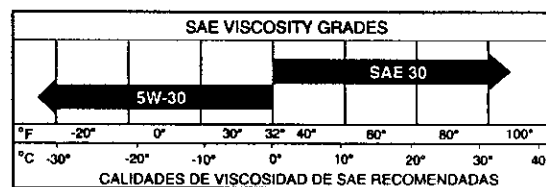
5. En los dos lados de los piñones se hallan unas flechas. Si la flecha está en la parte superior del piñón, ésta teine pue apuntar hacia la parte anterior de la segadora. Si la flecha apuntara hacia atrás, girar el piñón y nontarlo en la segadora.
6. Ponga las ruedas de vuelta en los ejes del ajustador.
7. Vuelva a poner las tuercas de seguridad y los tapacubos.



## MOTOR

### LUBRICACIÓN

Use solamente aceite de detergente de alta calidad clasificado con la clasificación SF-SJ de servicio API. Seleccione la calidad de viscosidad SAE según su temperatura de operación esperada.



**AVISO:** A pesar de que los aceites de multiviscosidad (5W30, 10W30, etc.) mejoran el arranque en clima frío, estos aceites de multiviscosidad van ha aumentar el consumo de aceite cuando se usan en temperaturas sobre 32° F. Revise el nivel del aceite del motor más a menudo, para evitar un posible daño en el motor, debido a que no tiene suficiente aceite.

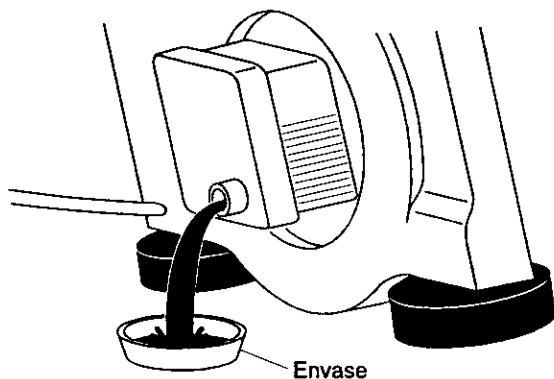
Cambie el aceite después de 25 horas de operación o por lo menos una vez al año si la segadora se utiliza menos 25 horas el año.

Revise el nivel del aceite del cárter antes de arrancar el motor y después de cada cinco (5) horas de uso continuado. Apriete el tapón del aceite en forma segura cada vez que revise el nivel del aceite.

## PARA CAMBIAR EL ACEITE DEL MOTOR

**AVISO:** Antes de inclinar la segadora para drenar el aceite, drene el tanque de combustible haciendo correr el motor hasta que el tanque esté vacío.

1. Desconecte el alambre de la bujía y póngalo de modo que no pueda entrar en contacto con ésta.
2. Remueva la tapa del depósito del aceite; déjela a un lado en una superficie limpia.
3. Incline la cortadora de césped por este costado tal como se muestra y purgue el aceite en un recipiente idóneo. Mueva la segadora de atrás para adelante para remover todo el aceite que se haya quedado atrapado dentro del motor.
4. Limpie todo el aceite derramado en la segadora y en el lado del motor.
5. Rellene el motor con aceite. (Vea "PARA AGREGAR EL ACEITE" en la sección de Operación de este manual.)
6. Vuelva a conectar el alambre de la bujía a ésta.

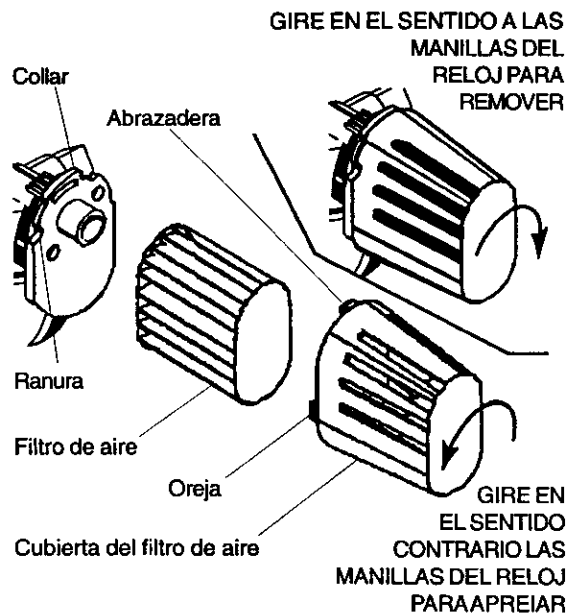


## FILTRO DE AIRE

Su motor puede sufrir averías y funcionar de manera incorrecta con un filtro del aire sucio. Sustituir el papel del cartucho una vez al año o tras 100 horas de funcionamiento, más a menudo si se utiliza en condiciones de suciedad y polvo particulares. No lave el filtro de aire.

### PARA CAMBIAR EL FILTRO DE AIRE

1. Remueva el filtro de aire girándolo en el sentido en que gírela de las manillas del reloj para apretarla, hasta el tope, y retírela del collar.
2. Remueva el filtro de la parte interior de la cubierta.
3. Limpie la parte interior de la cubierta y el collar para remover toda acumulación de mugre.
4. Inserte el filtro nuevo en la cubierta.
5. Ponga la cubierta del filtro de aire dentro del collar alineando la oreja con la ranura.
6. Empuje la cubierta hacia adentro y gírela en el sentido contrario de las manillas del reloj para apretarla.



## SILENCIADOR

Inspeccione y cambie el silenciador si está corroído puede producir un peligro de incendio y/o daño.

## BUJÍAS

Cambie las bujías al comienzo de cada temporada de siega o después de cada 100 horas de operación, lo que suceda primero. El tipo de bujía y el ajuste de la abertura aparecen en "ESPECIFICACIONES DEL PRODUCTO" sección de este manual.

## LIMPIEZA

**IMPORTANTE:** Para obtener el mejor rendimiento, mantenga la caja de la segadora sin acumulación de césped y basura. Limpie la parte de abajo de su segadora después de cada uso.

**PRECAUCIÓN:** Desconecte el alambre de la bujía y póngalo en donde no pueda entrar en contacto con ésta.

- Haga descansar la segadora en su lado. Asegúrese que el filtro de aire y que el carburador queden mirando hacia arriba. Limpie la parte inferior de su segadora raspándola para remover la acumulación de césped y basura.
- Limpie el motor a menudo para evitar que se acumule la basura. Un motor tapado funciona más caliente y se acorta su duración.
- Mantenga las superficies pulidas y las ruedas sin gasolina, aceite, etc.
- No recomendamos el uso de una manguera de jardín para limpiar la segadora a menos que el sistema eléctrico, el silenciador, el filtro de aire y el carburador estén tapados para evitar que les entre el agua. El agua en el motor puede acortar la duración de éste.

## SERVICIO Y AJUSTES

**ADVERTENCIA:** Para evitar lesiones serias, antes de dar cualquier servicio o de hacer ajustes:

1. Suelte la barra de control y pare el motor.
2. Asegúrese que la cuchilla y que todas las partes movibles se hayan detenido completamente.
3. Desconecte el alambre de la bujía y póngalo en donde no pueda entrar en contacto con ésta.

### SEGADORA

#### PARA AJUSTAR LA ALTURA DE CORTE

Vea "PARA AJUSTAR LA ALTURA DE CORTE" en la sección de Operación de este manual.

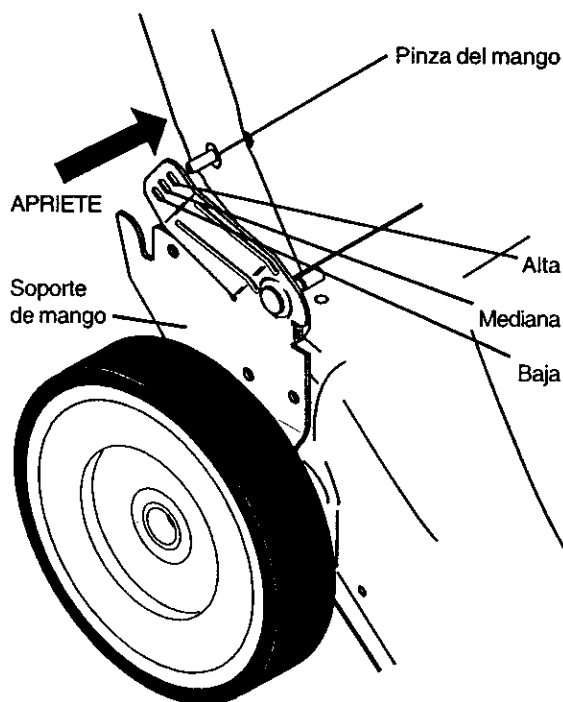
#### DESVIADOR TRASERO

Se proporciona un desviador trasero, adjunto entre las ruedas traseras de su segadora, para reducir a un mínimo la posibilidad que objetos sean lanzados hacia afuera de la parte trasera de la segadora, en la posición en donde se encuentra el operador. Si se daña el desviador debe cambiarse.

#### PARA AJUSTAR EL MANGO

El mango de su segadora cuenta con tres (3) posiciones de altura – ajústelo a la altura que le acomode.

- Presione las extremidades inferiores del mando inferior una en contra una de la otra hasta que la pinza del mango pueda ser insertada en uno de los tres agujeros del control de la altura.



#### PARA MONTAR Y ADJUNTAR EL RECOGEDOR DE CÉSPED

- Ponga el bastidor del recogedor de césped en la bolsa del césped con la parte rígida de la bolsa en la parte inferior. Asegúrese que el mango del bastidor esté en el exterior de la parte superior de la bolsa.
- Destlice los sujetadores de vinilo sobre el bastidor.

**AVISO:** Si los sujetadores de vinilo están muy duros, métalos en agua caliente por algunos minutos. Si se moja la bolsa, déjela que se seque antes de usarla.

**PRECAUCIÓN:** No haga funcionar su segadora sin el desviador de recortes o sin el recogedor de césped, aprobados, en su lugar. Nunca trate de operar la segadora cuando se ha removido la puerta trasera o cuando está un poco abierta.



### MOTOR

#### VELOCIDAD DEL MOTOR

La velocidad del motor ha sido ajustada en la fábrica. No trate de aumentar la velocidad del motor pues se pueden producir lesiones personales. Si cree que el motor está funcionando demasiado rápido o demasiado lento, lleve su segadora a más con su centro de servicio Sears o con un otro centro de servicio cualificado.

#### CARBURADOR

Su carburador tiene un chorro principal fijo no ajustable para controlar la mezcla. Si su motor no está funcionando en forma adecuada debido a problemas que se sospecha vienen del carburador, lleve su segadora a contacto con su centro de servicio Sears o con un otro centro de servicio cualificado para repararla y/o ajustarla.

**IMPORTANTE:** Nunca manipule el regulador del motor, el que ha sido ajustado en la fábrica para la velocidad del motor adecuada. Puede ser peligroso hacer funcionar el motor a una velocidad por sobre el ajuste de alta velocidad de la fábrica. Si cree que la velocidad alta regulada del motor necesita ajuste, contacto con su centro de servicio Sears o con un otro centro de servicio cualificado, el que cuenta con el equipo adecuado y la experiencia para hacer los ajustes necesarios.

## ALMACENAMIENTO

Inmediatamente prepare su segadora para el almacenamiento al final de cada temporada o si la unidad no se va a usar por 30 días o más.

### SEGADORA

Cuando se va a guardar la segadora por cierto período de tiempo, límpiela cuidadosamente, remueva toda la mugre, la grasa, las hojas, etc. Guárdela en un área limpia y seca.

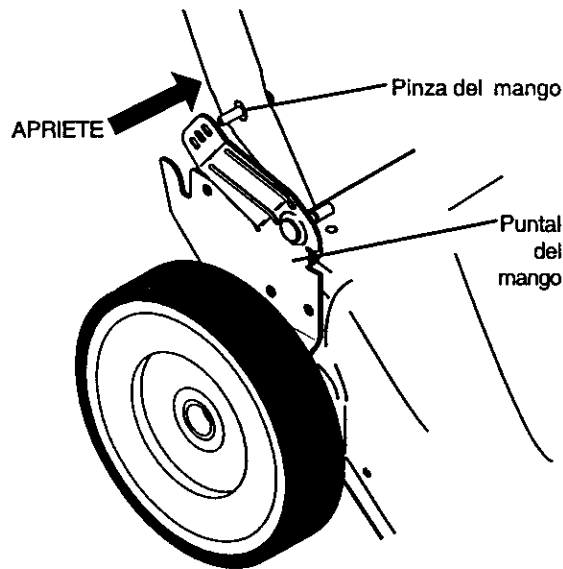
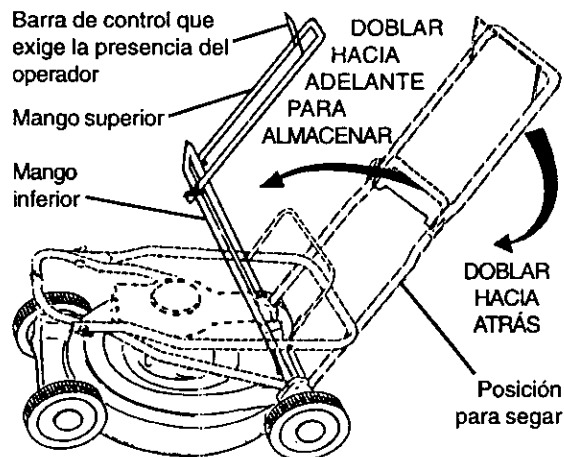
1. Limpie toda la segadora (Vea "LIMPIEZA" en la sección de Mantenimiento de este manual).
2. Lubríquela según se muestra en la sección de Mantenimiento de este manual.
3. Asegúrese de que todas las tuercas y clavijas y todos los pernos y tornillos estén apretados en forma segura. Inspeccione las partes que se mueven para verificar si están dañadas, quebradas o desgastadas. Cámbielas si es necesario.
4. Retoque todas las superficies que estén oxidadas o con la pintura picada; use una lija antes de pintar.

### MANGO

Puede doblar el mango de su segadora para el almacenamiento.

1. Suelte las dos (2) manillas del mango en cada lado del mango superior y permita que el mango se doble hacia atrás.
  2. Apriete los extremos inferiores del mango inferior entre sí hasta que el mango inferior quede separado del puntal del mango, luego muévalo hacia adelante.
- Cuando prepare su mango a partir de la posición de almacenamiento, el mango inferior necesitará cerrarlo manualmente para la posición de sega.

**IMPORTANTE:** Cuando doble el mango para el almacenamiento o el transporte, asegúrese que lo doble según se muestra o puede dañar los cables de control.



### MOTOR

#### SISTEMA DE COMBUSTIBLE

**IMPORTANTE:** Es importante evitar que se formen depósitos de goma en partes fundamentales del sistema de combustible tales como el carburador, el filtro del combustible, la manguera del combustible o en el estanque durante el almacenamiento. Los combustibles mezclados con alcohol (conocido como gasohol o que tiene etanol o metanol) pueden atraer humedad, lo que conduce a la separación y a la formación de ácidos durante el almacenamiento. La gasolina ácida puede dañar el sistema de combustible de un motor durante el período de almacenamiento.

- Drene el estanque de combustible.
- Haga arrancar el motor y déjelo funcionar hasta que las líneas del combustible y el carburador estén vacíos.
- Nunca use los productos para limpieza del carburador o del motor en el estanque de combustible pues se pueden producir daños permanentes.
- Use combustible nuevo la próxima temporada.

**AVISO:** El estabilizador de combustible es una alternativa aceptable para reducir a un mínimo la formación de depósitos de goma en el combustible durante el período de almacenamiento. Agregue estabilizador a la gasolina en el estanque de combustible o en el envase para el almacenamiento. Siempre siga la proporción de mezcla que se encuentra en el envase del estabilizador. Haga funcionar el motor por lo menos 10 minutos después de agregar el estabilizador, para permitir que este llegue al carburador. No drene la gasolina del estanque de gasolina y el carburador si se está usando estabilizador de combustible.

## ACEITE DEL MOTOR

Drene el aceite (con el motor caliente) y cámbielo con aceite de motor limpio. (Vea "MOTOR" en la sección de Mantenimiento este manual.)

### CILINDRO

1. Remueva la bujía.
2. Vacíe una onza (29 ml) de aceite a través del agujero de la bujía en el cilindro.
3. Tire la manilla de arranque lentamente unas cuantas veces para distribuir el aceite.
4. Vuelva a montar la nueva bujía.

### OTROS

- No guarde la gasolina de una temporada a la otra.
- Cambie el envase de la gasolina si se empieza a oxidar. La oxidación y/o la mugre en su gasolina producirán problemas.

- Si es posible, guarde su unidad en un recinto cerrado y cúbrala para protegerla contra el polvo y la mugre.
- Cubra su unidad con un forro protector adecuado que no retenga la humedad. No use plástico. El plástico no puede respirar, lo que permite la formación de condensación, lo que producirá la oxidación de su unidad.

**IMPORTANTE:** Nunca cubra la segadora mientras el motor y las áreas de escape todavía están calientes.

**PRECAUCIÓN:** Nunca almacene la segadora con gasolina en el estanque dentro de un edificio en donde los gases pueden alcanzar una llama expuesta o una chispa. Permita que se enfríe el motor antes de almacenarla en algún recinto cerrado.

**SOLUCIÓN DE PROBLEMAS - Vea la sección apropiada en el manual aménos que esté dirigido a un centro de servicio Sears.**

PROBLEMA	CAUSA	CORRECCIÓN
No arranca	<ol style="list-style-type: none"><li>1. Filtro de aire sucio.</li><li>2. Sin combustible.</li><li>3. Combustible rancio.</li> <li>4. Agua en el combustible.</li> <li>5. Alambre de la bujía desconectado.</li><li>6. Bujía mala.</li><li>7. Cuchilla suelta o adaptador de la cuchilla quebrado.</li><li>8. Barra de control en la posición suelta.</li><li>9. Barra de control defectuosa.</li><li>10. Válvula del combustible (si equipada) está en la posición OFF.</li><li>11. Batería débil (si equipada).</li><li>12. Desconecte el conector de la batería (si equipada).</li></ol>	<ol style="list-style-type: none"><li>1. Limpie/cambie el filtro de aire.</li><li>2. Llene el estanque de combustible.</li><li>3. Drene el estanque y vuelva a llenarlo con combustible limpio y nuevo.</li><li>4. Drene el estanque de combustible y el carburador y vuelva a llenar el estanque con gasolina nueva.</li><li>5. Conecte el alambre a la bujía.</li><li>6. Cambie la bujía.</li><li>7. Apriete el perno de la cuchilla cambie el adaptador de la cuchilla.</li><li>8. Presione la barra de control hacia el mango.</li><li>9. Cambie la barra de control.</li><li>10. Gire a la válvula del combustible a la posición ON.</li><li>11. Cague la batería.</li><li>12. Conecte la batería al motor.</li></ol>

**SOLUCIÓN DE PROBLEMAS - Vea la sección apropiada en el manual amenos que esté dirigido a un centro de servicio Sears.**

<b>PROBLEMA</b>	<b>CAUSA</b>	<b>CORRECCIÓN</b>
<b>Falta de fuerza</b>	<ol style="list-style-type: none"> <li>1. Cuchilla desgastada, doblada o suelta.</li> <li>2. Altura de las ruedas dispareja.</li> <li>3. Velocidad del motor lenta.</li> <li>4. Acumulación de césped, hojas o basura debajo de la segadora.</li> <li>5. Demasiado aceite en motor.</li> <li>6. Velocidad de recorrido demasiado rápida.</li> </ol>	<ol style="list-style-type: none"> <li>1. Ajuste a la posición de "Corte más alto."</li> <li>2. Ajuste a la posición de "Corte más alto."</li> <li>3. Limpie/cambie el filtro de aire.</li> <li>4. Limpie la parte inferior de la caja de la segadora.</li> <li>5. Revise el nivel del aceite.</li> <li>6. Corte a una velocidad de recorrido más lenta.</li> </ol>
<b>Mal corte-disparejo</b>	<ol style="list-style-type: none"> <li>1. Cuchilla desgastada, doblada o suelta.</li> <li>2. Altura de las ruedas dispareja.</li> <li>3. Acumulación de césped, hojas o basura debajo de la segadora.</li> </ol>	<ol style="list-style-type: none"> <li>1. Cambie la cuchilla. Apriete el perno de la cuchilla.</li> <li>2. Ajuste todas las ruedas a la misma altura.</li> <li>3. Limpie la parte inferior de la caja de la segadora.</li> </ol>
<b>Vibración excesiva</b>	<ol style="list-style-type: none"> <li>1. Cuchilla desgastada, doblada o suelta.</li> <li>2. Cigüeñal del motor doblado.</li> </ol>	<ol style="list-style-type: none"> <li>1. Cambie la cuchilla. Apriete el perno de la cuchilla.</li> <li>2. Póngase en contacto con su centro de servicio Sears o con un otro centro de servicio cualificado.</li> </ol>
<b>Cordón arrancador difícil de tirar</b>	<ol style="list-style-type: none"> <li>1. El freno del volante del motor está aplicado cuando se suelta la barra de control.</li> <li>2. Cigüeñal del motor doblado.</li> <li>3. Adaptador de la cuchilla quebrado.</li> <li>4. La cuchilla se arrastra en el césped.</li> </ol>	<ol style="list-style-type: none"> <li>1. Presione la barra de control hacia el mango superior antes de tirar el cordón arrancador.</li> <li>2. Póngase en contacto con su centro de servicio Sears o con un otro centro de servicio cualificado.</li> <li>3. Cambie el adaptador de la cuchilla.</li> <li>4. Mueva la segadora a un lugar en donde el césped ha sido cortado o a una superficie firme para hacer arrancar el motor.</li> </ol>
<b>Recogedor de césped no se llena (si viene equipado)</b>	<ol style="list-style-type: none"> <li>1. Altura de corte demasiado baja.</li> <li>2. Levantamiento de la cuchilla desgastado.</li> <li>3. Recogedor sin ventilación de aire.</li> </ol>	<ol style="list-style-type: none"> <li>1. Eleve la altura de corte.</li> <li>2. Cambie las cuchillas.</li> <li>3. Limpie el recogedor de césped.</li> </ol>
<b>Difícil de empujar</b>	<ol style="list-style-type: none"> <li>1. El césped está demasiado alto o la altura de la rueda demasiado baja.</li> <li>2. Parte trasera de la caja/cuchilla de la segadora arrastrándose en el césped.</li> <li>3. Recogedor de césped demasiado lleno.</li> <li>4. Posición de la altura del mango no adecuada para usted.</li> </ol>	<ol style="list-style-type: none"> <li>1. Eleve la altura de corte.</li> <li>2. Eleve la parte trasera de la caja de la segadora (1) un lugar más alto.</li> <li>3. Vacíe el recogedor de césped.</li> <li>4. Ajuste la altura del mango de modo que le acomode.</li> </ol>
<b>Pérdida de impulsión o retardase de la velocidad</b>	<ol style="list-style-type: none"> <li>1. Desgaste de la correa.</li> <li>2. La correa está fuera de la polea.</li> <li>3. Cable de la impulsión usado o roto.</li> <li>4. Suciedad en piñones del mecanismo impulsor.</li> </ol>	<ol style="list-style-type: none"> <li>1. Revise/cambie correa de impulsión.</li> <li>2. Revise/vuelva a instalar la</li> <li>3. Cambie el cable de la impulsión.</li> <li>4. Limpie los moñones del mecanismo impulsor.</li> </ol>



## CRAFTSMAN ROTARY LAWN MOWER -- MODEL NUMBER 917.37651

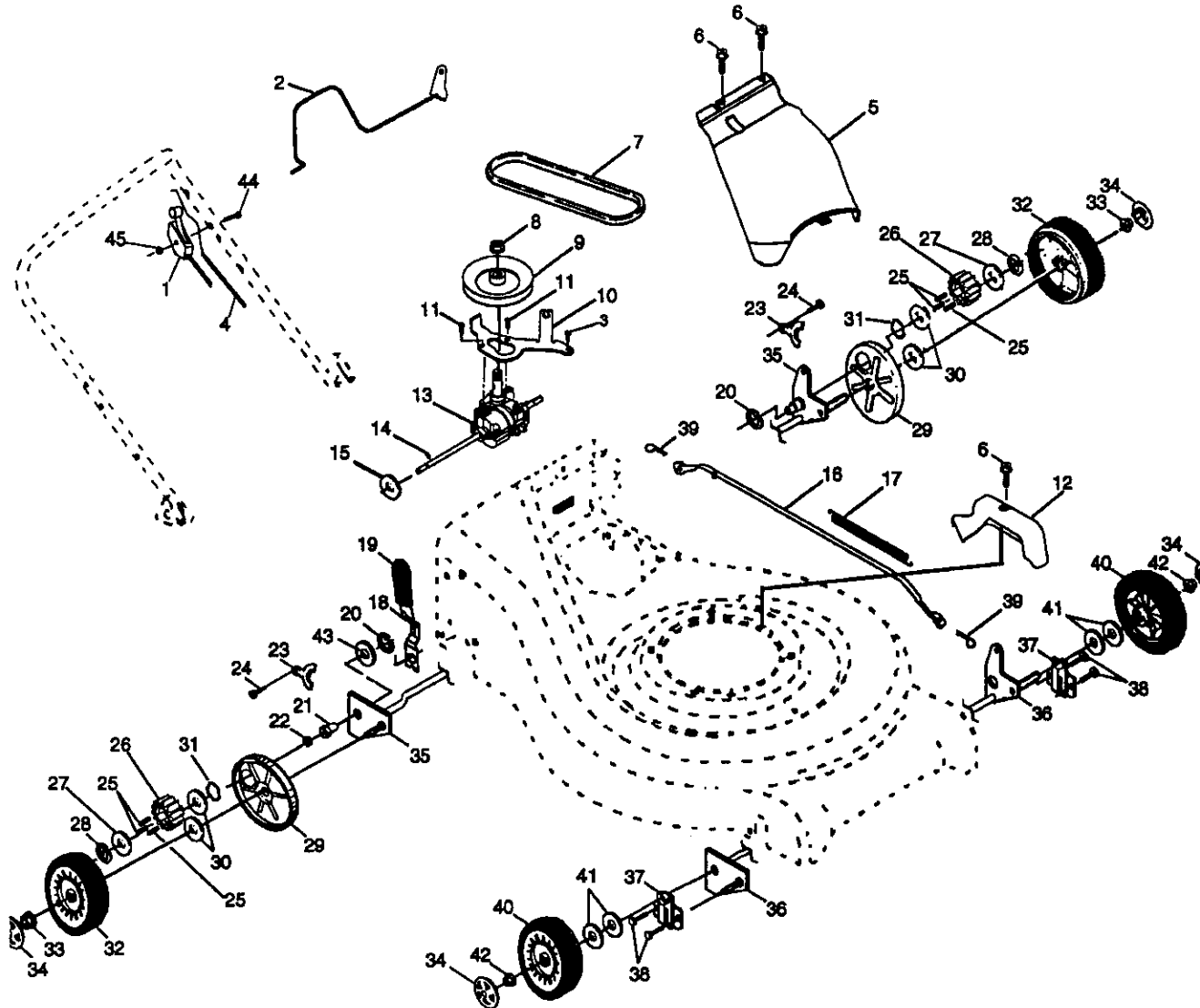
KEY NO.	PART NO	DESCRIPTION	KEY NO.	PART NO	DESCRIPTION
1	167163	Handle, Upper Dlx Comf. (Includes Grip)	39	183648	Grass Catcher Bag
2	161105X479	Handle, Lower	40	180026	Grass Catcher Frame
3	175788	Bail, Cont. Wire Dlx Comf. Blk	41	85463	Danger Decal
4	179585	Guide, Rope, Side	42	165108	Bracket, Anti-fold
5	132004	Nut, Hex Lockwasher 1/4-20	43	54583	Screw, Tapping 1/4-20 x 1/2
6	66426	Wire, Tie	45	166034	Rod, Pulley Engage
7	131959	Bolt, Handle 5/16-18 x 1.75	46	166041	Bushing
8	180833	Knob, Handle	48	169605	Retainer Clip
9	164265	Grip, Hdl Foam Smooth	49	175787X008	Clamp
10	161551	Bolt, Sq. Neck	50	54583	Screw
11	73990500	Nut, Hex Lockwasher Ins. 5/16-18 UNC	51	169980	Spacer
12	51793	Cotter, Hairpin	52	170047	Wave Washer
13	161586	Engine Zone control	53	173041	Belt Cover, Bottom
14	850733X004	Bracket, Upstop	54	750097	Screw
15	750634	Screw, Hex Washer Head Tapping 10-2	55	166383X479	Cable Support Bracket
16	162085	Kit, Door Rear	56	63601	Nut
17	179885	Seal, Door	57	166391X004	Bracket Assy.
18	182778	Plug, Mulcher	58	57808	Screw
19	178164	Kit, Housing	59	166042	V-Groove Pulley
20	161568X479	Handle, Bracket Asm. Left	60	166050	Idler Arm Spacer
21	168227X479	Handle, Bracket Asm. Right	61	145212	Flange Nut
22	150078	Screw, Hex Wshd	62	155552	Locknut
23	163183	Bolt, Hex Head 5/16-18 x 5/8	63	166022X008	Idler Arm
24	63124	Nut, Hex Lock Wshr 5/16-18	64	166043	Idler Pulley
25	161333	Baffle, Side	65	160829	Shoulder Bolt
26	163409	Screw 12 x 5/8	66	183058	Door Assy.
27	161550	Skirt	67	169699	Multi Cut Guard
28	88652	Screw, Hinge 1/4-20 x 1.25	68	88349	Nut
29	166036X479	Belt Cover, Top	--	161058	Warning Decal (Not Shown)
30	851514	Adapter, Blade w/key Longer	--	183646	Owner's Manual
31	175064	Blade, 21"			
32	851074	Washer, Hardened			
33	850263	Lockwasher, Helical Spring 3/8			
34	851084	Screw, Hex Head 3/8-24 x 1.38			
35	166032	Pulley, Fixed			
36	179222	Bearing Support Assy.			
37	150406	Bolt, Engine			
38	---	Engine, Craftsman Model Number 143.026706 (See Breakdown)			

Available accessories not included with lawn mower:

71	33623	Gas Can (2.5 gal.)
71	33500	Fuel Stabilizer
71	33000	SAE 30W Oil (20 oz.)

**NOTE:** All component dimensions given in U.S. inches.  
1 inch = 25.4 mm

# CRAFTSMAN ROTARY LAWN MOWER -- MODEL NUMBER 917.377651

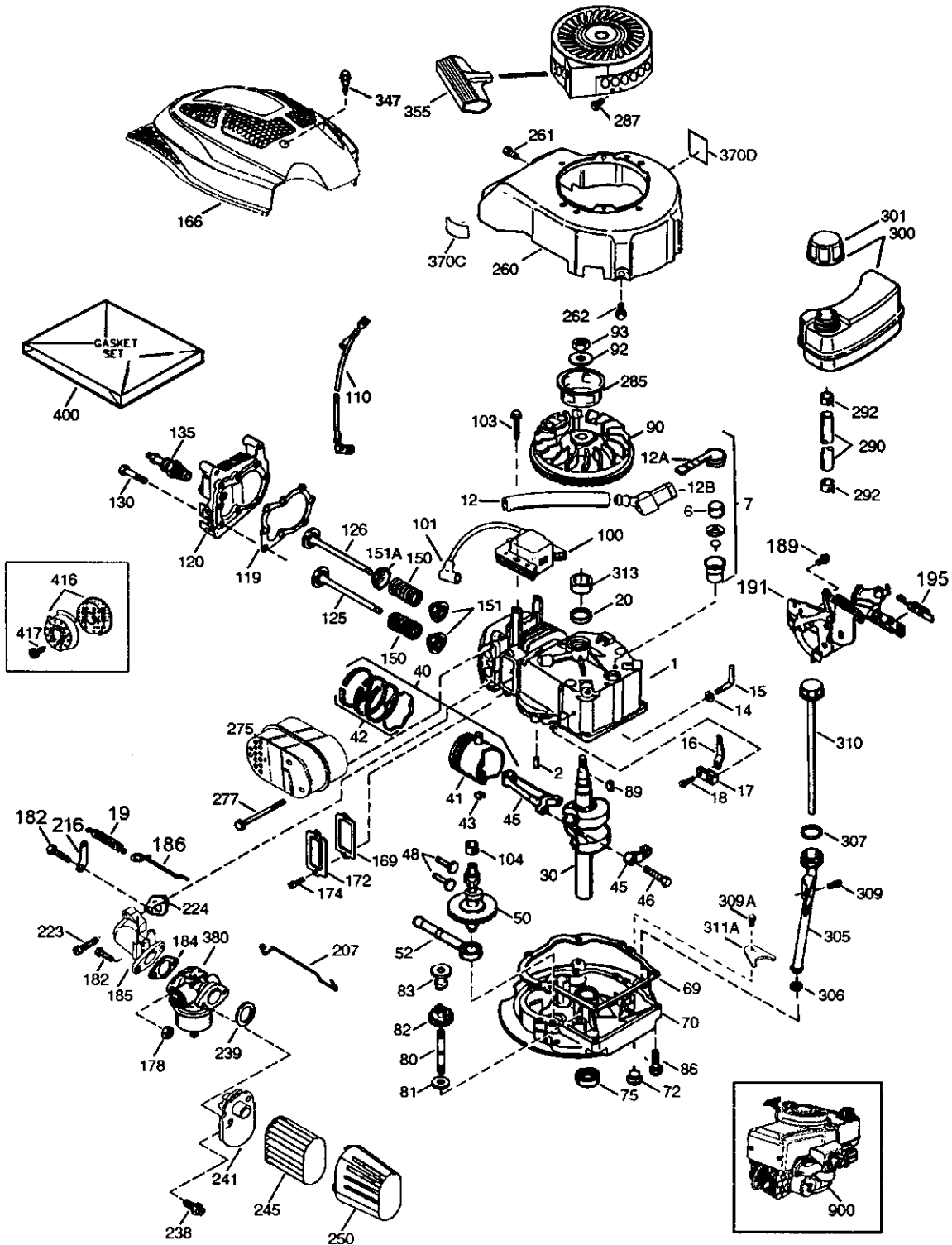


## CRAFTSMAN ROTARY LAWN MOWER-- MODEL NUMBER 917.377651

39

KEY NO.	PART NO	DESCRIPTION	KEY NO.	PART NO	DESCRIPTION
1	178916	Speed Control	25	170011	Drive Pawl
2	175786	Bail Control Drive	26	166450	Pinion, Drive
3	54583	Screw	27	52160	Washer
4	179049	Drive Cable	28	12000058	E-Ring 7/16
5	161537	Cover Drive	29	180504	Cover, Dust Wheel
6	750634	Screw Thdrol 10-25 x .50	30	67725	Washer 1/2 x 1-1/2 x .134
7	166060	V-Belt	31	57143	Wave Washer
8	132010	Nut Lock Flanged 3/8-16 Zinc	32	180763	Wheel 9 x 2
9	166049	Pulley Driven	33	145212	Nut Hex Flange Lock
10	166021X004	Belt Keeper Bracket	34	150182	Hubcap, Mag Platinum
11	17541011	Screw Hex Wash Head 10-24 X .668	35	160785 X004	Shaft Asm. Rear
12	166189	Pivot Rod Cover	36	160786X004	Shaft Asm. Front
13	166388	Transmission Asm.	37	161463	Retainer Front Shaft
14	145354	Pin Spring Thrust	38	163409	Screw 12 x 5/8
15	57079	Washer Hardened	39	700279	Clip Retainer
16	161584	Rod Connecting	40	180542	Wheel 8 x 2
17	161602	Spring Extension	41	57143	Washer, Wave
18	160477X004	Spring Selector	42	83923	Nut, Hex Flange Lock 3/8-16
19	167650	Knob Selector Spring	43	19572216	Washer
20	12000022	E-Ring 7/8	44	144929	Screw 1/4 x 2.12
21	163365	Bearing Support	45	751152	Locknut
22	169911	Bearing Ball			
23	161118X004	Retainer Drive Asm. Stmp.			
24	57808	Screw Hex Head Tapping 1/4-20 x .75			

**NOTE:** All component dimensions given in U.S. inches.  
1 inch = 25.4 mm



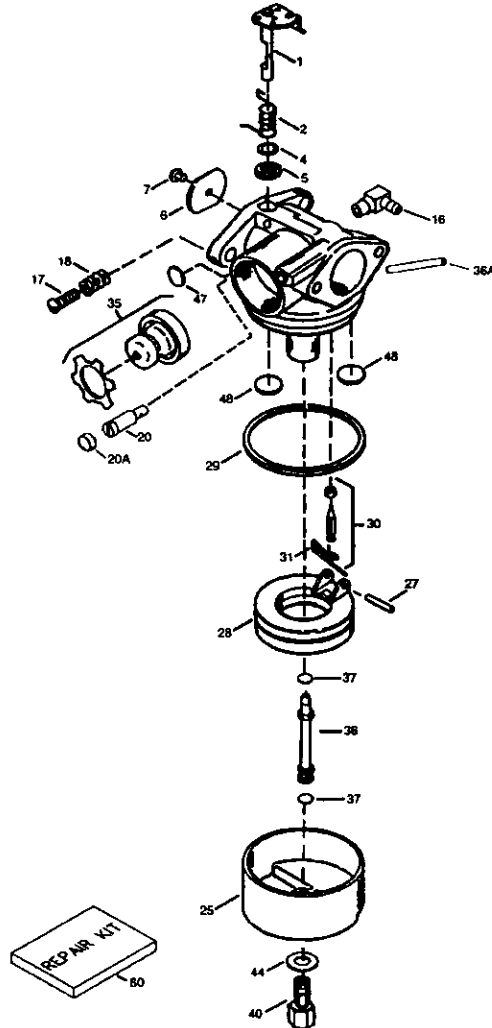
**CRAFTSMAN 4-CYCLE ENGINE**

**MODEL NUMBER 143.026706**

KEY NO.	PART NO.	DESCRIPTION	KEY NO.	PART NO.	DESCRIPTION
1	37465	Cylinder (Includes Key Numbers 2, 20 and 150)	151A	40017	Intake Valve Seal
2	26727	Dowel Pin	166	37727	Engine Shroud
6	33734	Breather Element	169	36783	* Valve Cover Gasket
7	36557	Breather Assembly (Includes Key Numbers 6 and 12A)	172	36784	Valve Cover
12	36775	Breather Tube	174	30200	Screw, #10-24 x 9/16"
12A	36558	Breather Cover & Tube (Includes Key Number 12B)	178	29752	Nut & Lock Washer, 1/4-28
12B	36694	Breather Tube Elbow	182	6201	Screw, 1/4-28 x 7/8"
14	28277	Washer	184	26756	* Carburetor To Intake Pipe Gasket
15	30589	Governor Rod (Includes Key #14)	185	37466	Intake Pipe
16	34839A	Governor Lever	186	36255	Governor Link
17	31335	Governor Lever Clamp	189	650839	Screw, 1/4-20 x 27/64"
18	651018	Screw, T-15, #8-32 x 19/64"	191	36559A	S.E. Brake Bracket (Includes Key Number 195)
19	36281	Extension Spring	195	610973	Terminal
20	32600	Oil Seal	207	34336	Throttle Link
30	37459	Crankshaft	216	33086	* Intake Pipe Gasket
40	40027	Piston, Pin & Ring Set (Standard)	223	650451	Screw, 1/4-20 x 1"
41	40042	Piston & Pin Assembly (Standard) (Includes Key Number 43)	224	36786	* Intake Pipe Gasket
42	40006	Ring Set (Standard)	238	650932	Screw, #10-32 x 49/64"
43	20381	Piston Pin Retaining Ring	239	34338	* Air Cleaner Gasket
45	36777	Connecting Rod Assembly (Includes Key Number 46)	241	36919	Air Cleaner Collar
46	32610A	Connecting Rod Bolt	245	36905	Air Cleaner Filter
48	27241	Valve Lifter	250	37122	Air Cleaner Cover
50	37460	Camshaft (Exhaust MCR) (Includes Key Number 104)	260	37696	Blower Housing
52	29914	Oil Pump Assembly	261	30200	Screw, #10-24 x 9/16"
69	37609	* Mounting Flange Gasket	262	650831	Screw, 1/4-20 x 1/2"
70	37608	Mounting Flange (Includes Key Numbers 72-83, 306, 309A & 311A)	275	37498	Muffler
72	37614	Oil Drain Plug	277	650988	Screw, 1/4-20 x 2-9/32"
75	27897	Oil Seal	285	35287B	Starter Cup
80	30574A	Governor Shaft	287	650926	Screw, 8-32 x 21/64"
81	30590A	Washer	290	34357	Fuel Line
82	30591	Governor Gear Assembly (Includes Key Number 81)	292	26460	Fuel Line Clamp
83	30588A	Governor Spool	298	650926	Screw, #8-32 x 21/64"
86	650488	Screw, 1/4-20 x 1-1/4"	300	35586	Fuel Tank (Incl. 292 & 301)
89	611004	Flywheel Key	301	36246	Fuel Cap Assembly
90	611112	Flywheel	305	35647	Oil Fill Tube
92	650815	Belleville Washer	306	37610	* "O"-Ring
93	650816	Flywheel Nut	307	35499	"O"-Ring
100	34443C	Solid State Ignition	309	650562	Screw, #10-32 x 3/8"
101	610118	Spark Plug Cover	309A	650783	Screw, #10-24 x 3/4"
103	651007	Screw, T-15, #10-24 x 15/16"	310	35648	Dipstick
104	37480	Cam Bushing	311A	37611	Hold Down Bracket
110	37047	Ground Wire	313	34080	Spacer
119	36787	* Cylinder Head Gasket	347	650898A	Screw, #10-32 x 27/32"
120	36825	Cylinder Head	355	590701	Starter Handle
125	37288	Exhaust Valve (Standard Size) (Includes Key Number 151)	370C	37318	Primer Decal (3X)
	36780	Exhaust Valve (1/32" Oversize) (Includes Key Number 151)	370D	35977	Caution Decal
126	37289	Intake Valve (Standard) (Includes Key Numbers 151 & 151A)	380	640303	Carburetor (Includes Key No. 184)
130	6021A	Screw, 5/16-18 x 1-7/16"	390	590766	Rewind Starter
135	35395	Resistor Spark Plug (RJ19LM)	400	37613	Gasket Set (Includes All Items Marked *)
150	31672	Valve Spring	416	37530	Spark Arrestor Kit (Optional) (Includes Key Number 417)
151	31673	Valve Spring Cap	417	650760	Screw, #8-32 x 3/8" (Optional)
			900	750866A	Replacement S/B, order from 71-999
					Replacement Engine, none
					RPM Settings: High 3000 to 3300

**NOTE:** All component dimensions given in U.S. inches. 1 inch = 25.4 mm

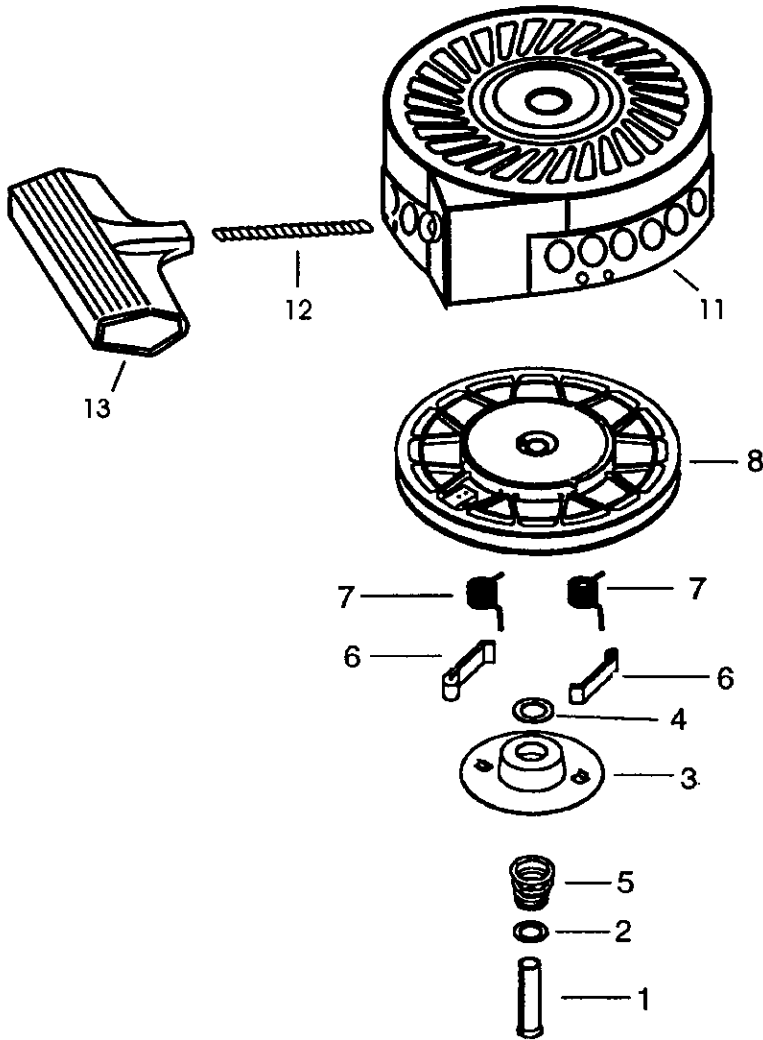




KEY NO.	PART NO.	DESCRIPTION
--	640303	Carburetor (Includes Key Number 184 of Engine Parts List)
1	631615	Throttle Shaft & Lever Assembly
2	631767	Throttle Return Spring
4	631184	* Dust Seal Washer
5	631183	* Dust Seal
6	640070	Throttle Shutter
7	650506	* Shutter Screw
16	631807	Fuel Fitting
17	651025	Throttle Crack/Idle Speed Screw
18	630766	Tension Spring
20	640018	Idle Restrictor Screw
20A	640200	* Idle Restrictor Screw Cap
25	632808	Float Bowl
27	631024	* Float Shaft
28	632802	Float (Plastic)
29	631028	* Float Bowl O-Ring
30	632807	* Inlet Needle, Seat, & Clip (Includes Key Number 31)
31	631022	* Spring Clip
35	640259	Primer Bulb (Red)/Retainer Ring
36	640019	Main Nozzle Tube
36A	632766	Bowl Vent Tube Extension
37	632547	* O-Ring, Main Nozzle Tube
40	640087	High Speed Bowl Nut
44	27110A	* Bowl Nut Washer
47	630748	* Welch Plug, Idle Mixture Well
48	631027	* Welch Plug, Atmospheric Vent

NOTE: All component dimensions given in U.S. inches. 1 inch = 25.4 mm





KEY NO.	PART NO.	DESCRIPTION
--	590766	Rewind Starter
1	590599A	Spring Pin (Includes Key Number 4)
2	590600	Washer
3	590696	Retainer
4	590601	Washer
5	590697	Brake Spring
6	590698	Starter Dog
7	590699	Dog Spring
8	590700	Pulley & Rewind Spring Assembly
11	590764	Starter Housing Assembly
12	590535	Starter Rope (98" x 9/64" diameter)
13	590701	Starter Handle

NOTE: All component dimensions given in U.S. inches. 1 inch = 25.4 mm



**Get it fixed, at your home or ours!**

### **Your Home**

For repair – **in your home** – of **all** major brand appliances, lawn and garden equipment, or heating and cooling systems, **no matter who made it, no matter who sold it!**

For the replacement parts, accessories and owner's manuals that you need to do-it-yourself.

For Sears professional installation of home appliances and items like garage door openers and water heaters.

**1-800-4-MY-HOME®** Anytime, day or night  
(1-800-469-4663) (U.S.A. and Canada)  
[www.sears.com](http://www.sears.com) [www.sears.ca](http://www.sears.ca)

---

### **Our Home**

For repair of carry-in products like vacuums, lawn equipment, and electronics, call or go on-line for the nearest **Sears Parts and Repair Center.**

**1-800-488-1222** Anytime, day or night (U.S.A. only)  
[www.sears.com](http://www.sears.com)

---

To purchase a protection agreement on a product serviced by Sears:

**1-800-827-6655** (U.S.A.) **1-800-361-6665** (Canada)

---

Para pedir servicio de reparación a domicilio, y para ordenar piezas:

**1-888-SU-HOGAR<sup>SM</sup>**  
(1-888-784-6427)

Au Canada pour service en français:

**1-800-LE-FOYER<sup>MC</sup>**  
(1-800-533-6937)  
[www.sears.ca](http://www.sears.ca)

**SEARS**

© Sears, Roebuck and Co.

® Registered Trademark / ™ Trademark / <sup>SM</sup> Service Mark of Sears, Roebuck and Co.

® Marca Registrada / ™ Marca de Fábrica / <sup>SM</sup> Marca de Servicio de Sears, Roebuck and Co.

<sup>MC</sup> Marque de commerce / <sup>MD</sup> Marque déposée de Sears, Roebuck and Co.