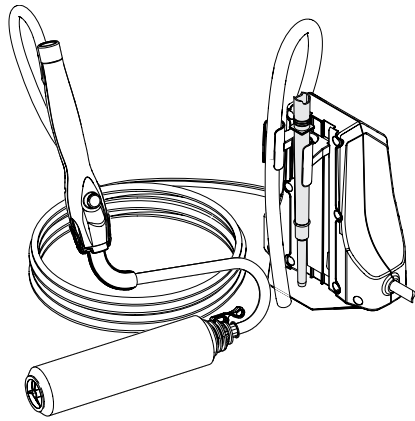


WAGNER® SMART SideKick™

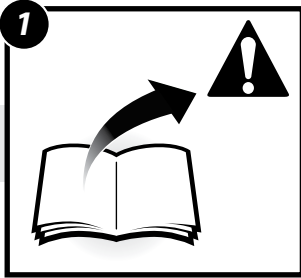
Multi-Room Powered Roller for
Continuous Painting

Owner's Manual

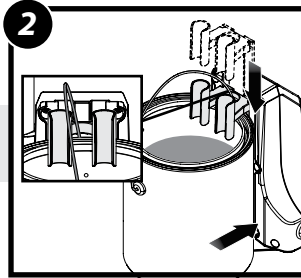
Read this manual for complete instructions



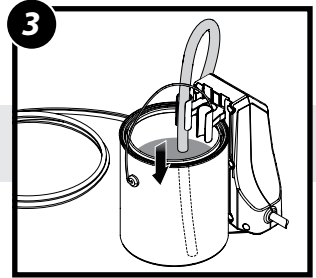
Quick-Start Guide



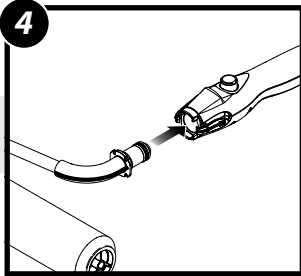
Read all warnings!



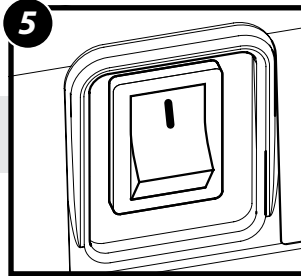
Secure container to pump



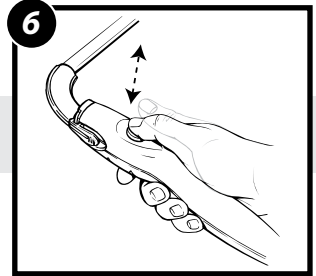
Insert suction tube



Attach the roller arm



Plug in, turn switch on (I)



Press and release to start

Contents

- 2 / 3 Important Safety Information
- 4 / 5 Parts and Components
- 6 / 7 Setup
- 8 / 9 Practice / Usage
- 10 / 11 Cleanup
- 12 Storage / Maintenance
- 13 Troubleshooting
- 14 Warranty
- 43 Parts List
- 44 Optional Accessories

Français (page 15) / Español (página 29)

Questions?

Call Wagner Technical Service at:

1-800-760-3844

Register your product online at:

www.wagnerspraytech.com

0416 • Form No. 0530810D

Español

Français

English

Important Safety Information



Read all safety information before operating the equipment. Save these instructions.



Indicates a hazardous situation which, if not avoided, could result in death or serious injury.

To reduce the risks of fire or explosion, electrical shock and the injury to persons, read and understand all instructions included in this manual. Be familiar with the controls and proper usage of the equipment.



HAZARD: EXPLOSION OR FIRE

Solvent and paint fumes can explode or ignite, causing property damage and/or severe injury.

PREVENTION:

- Exhaust and fresh air introduction must be provided to keep the air within the work area free from accumulation of flammable vapors.
- Avoid all ignition sources such as static electricity sparks, open flames, pilot lights, hot objects, cigarettes, and sparks from connecting and disconnecting power cords or working light switches.
- Fire extinguishing equipment must be present and in working order.
- Do not use materials with a flashpoint below 100° F (38° C). A fluid's flashpoint is the temperature at which vapors from the fluid could ignite if exposed to a flame or spark. Consult your paint supplier for information about a fluid's flashpoint.
- Keep the unit in a well ventilated location away from the work area. The pump contains arcing parts which emit sparks.



HAZARD: HAZARDOUS VAPORS

Paints, solvents, insecticides, and other materials may be harmful if inhaled, causing severe nausea, fainting, or poisoning.

PREVENTION:

- Use a respirator or mask whenever there is a chance that vapors may be inhaled. Read all instructions with the mask to insure that it will provide the necessary protection against the inhalation of harmful vapors.



HAZARD: GENERAL

May cause property damage or severe injury.

PREVENTION:

- Read all instructions and safety precautions before operating any equipment. Never leave the unit running while unattended. Unplug whenever not in use.
- Never immerse the unit into any liquid.
- Comply with all appropriate local, state and national codes governing ventilation, fire prevention, and operation.
- This paint roller system is designed to be used with authorized parts only. When using this system with parts that do not comply with the minimum specifications and safety devices of the system manufacturer, the user assumes all risks and liabilities.
- Before each use, check all hoses for cuts, leaks, abrasion or bulging of cover or damage or movement of couplings. If any of these conditions exist, call Customer Service.

Note: Additional warnings are contained on the tag molded to the electrical cord of the unit. Be sure to read this tag before operating the unit.

Important Safety Information

Grounding Instructions

This product must be grounded. In the event of an electrical short circuit, grounding reduces the risk of electric shock by providing an escape wire for the electric current. This product is equipped with a cord having a grounding wire with an appropriate grounding plug. The plug must be plugged into an outlet that is properly installed and grounded in accordance with all local codes and ordinances.



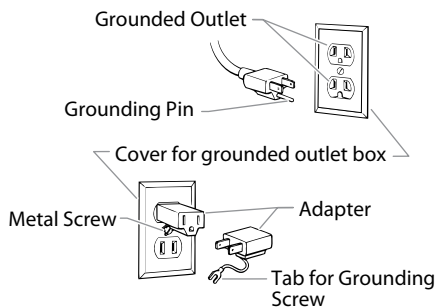
WARNING - Improper installation of the grounding plug can result in a risk of electric shock.

If repair or replacement of the cord or plug is necessary, do not connect the green grounding wire to either flat blade terminal. The wire with insulation having a green outer surface with or without yellow stripes is the grounding wire and must be connected to the grounding pin.

Check with a qualified electrician or serviceman if the grounding instructions are not completely understood, or if you are in doubt as to whether the product is properly grounded. Do not modify the plug provided. If the plug will not fit the outlet, have the proper outlet installed by a qualified electrician.

This product is for use on a nominal 120 volt circuit and has a grounding plug that looks like the plug illustrated below. A temporary adapter which looks like the adapter illustrated in the figure below may be used to connect this plug to a 2 pole receptacle as shown if a properly grounded outlet is not available.

The temporary adapter should be used only until a properly grounded outlet as shown below can be installed by a qualified electrician. The green colored rigid ear lug or the grounding wire extending from the adapter must be connected to a permanent ground such as a properly grounded outlet box cover. Whenever the adapter is used, it must be held in place by a metal screw.



Extension Cord Selection

If an extension cord is used, make sure that it is of the 3-conductor type with NEMA connectors so a continuous grounding circuit is provided from the tool to the power circuit receptacle. Make sure your extension cord is in good condition. Also, be sure that the conductor size is large enough to prevent excessive voltage drop which will cause loss of power and possible motor damage to the unit. A 14 or 12 gauge cord is recommended.

If an extension cord is to be used outdoors, it must be marked with the suffix W-A following the cord type designation. For example, SJTW-A to indicate that it is acceptable for outdoor use.

General Description

This high performance power roller is a precision power tool used for both interior and exterior painting and may be used with both water (latex) and oil based paints.

IMPORTANT: Use of oil-based paints must be limited to only those paints which can be cleaned with mineral spirits. Latex paints can be cleaned with soapy, lukewarm water. DO NOT use hot water when cleaning or flushing the unit.

Specifications

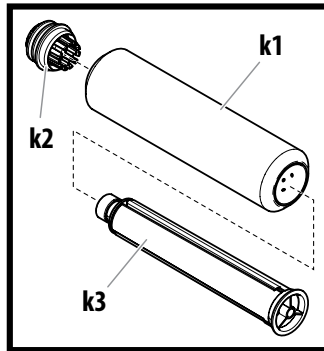
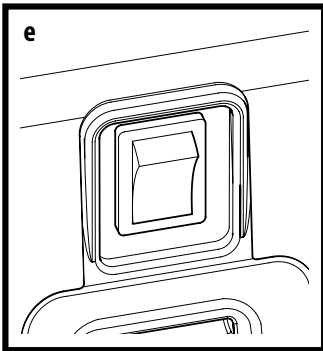
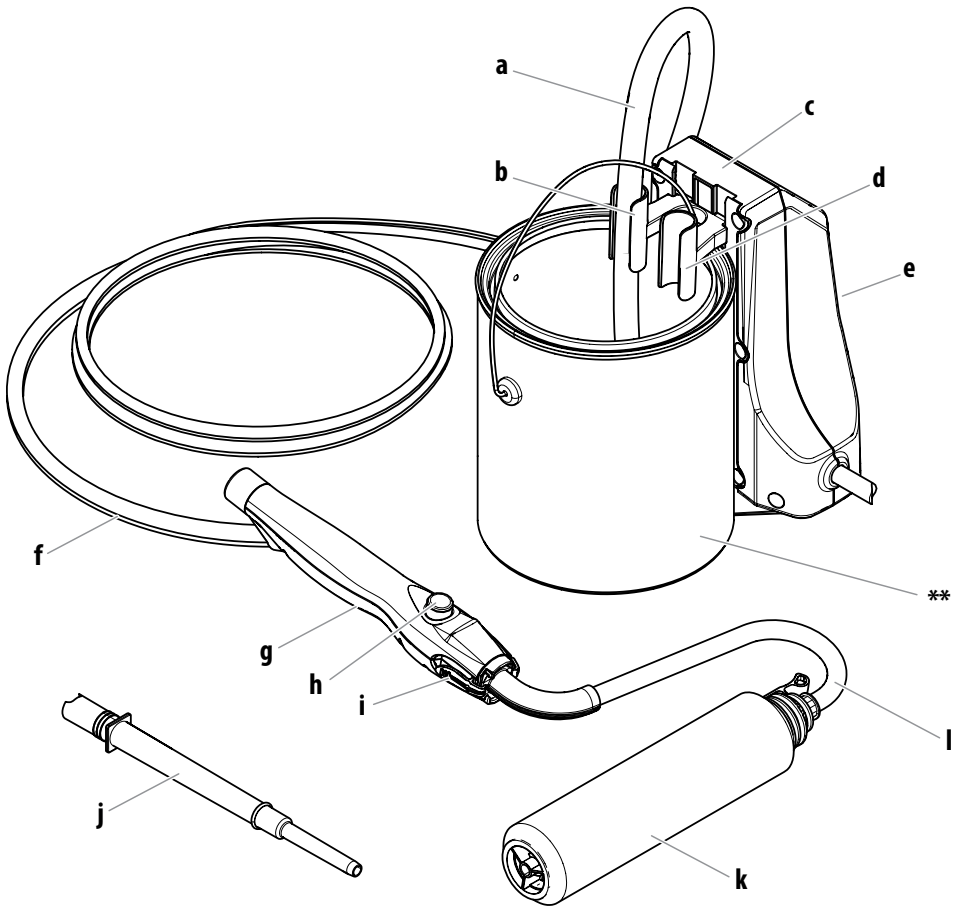
Flow rate: up to 8 - 20 fluid oz. per minute (flow rate will depend on thickness of paint)

Power source: 120 VAC

Power requirement: 60 Hz current.

Capability: Most oil and water based paints and stains. Do not use with lacquers, lacquer thinners or any other solvent with a flash point below 100° F (38°C).

Parts and Components



Parts and Components

Note: Some of the parts listed on this page can be replaced by calling technical service. See page 43 for part numbers.

Note: Some parts are not assembled out of the box. See "Setup" section, page 6-7.

Item	Description
a	Suction tube
b	Tube guide
c	Pump assembly
d	Extension holder
e	ON/OFF switch
f	Paint hose
g	Roller handle
h	Handle button

Item	Description
i	Quick-release tabs
j	Extension
k	9" Roller assembly
	h1 - 3/8" nap roller cover
	h2 - Roller cap
	h3 - Roller core
l	Roller arm

**Paint can shown for reference only. Not included.

Setup

Material Preparation:

Make sure the material you plan on using is thoroughly stirred and free from debris. Strain if necessary. Any impurities in the material can cause clogs in the pump system or roller assembly.



Scan this QR code with your mobile device and you will be directed to a video on how to set up your Power Roller.

Note: The SideKick™ Roller can be used with any type of one-gallon or five-gallon paint container.

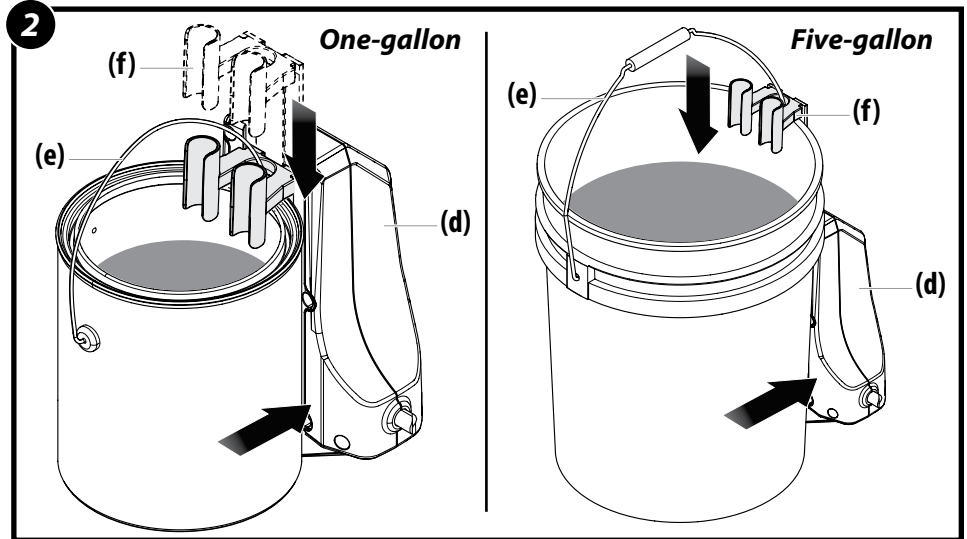
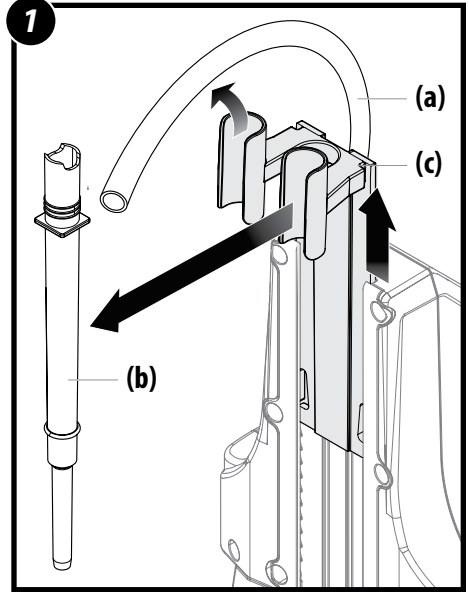
Setup:

1. Pull the suction tube (a) and extension (b) from their place holders. This will allow the tube guide to move more easily.
Lift the suction tube guide (c) to provide clearance for the material container.
2. Position the material container next to the pump assembly (d) as shown. The container handle (e) should be vertical and placed in between the suction tube guide and the extension holder. Slide the suction tube guide (f) down until it touches the top of the material container.

Note: The container is now secured to the pump and the entire unit can be carried by the container handle.

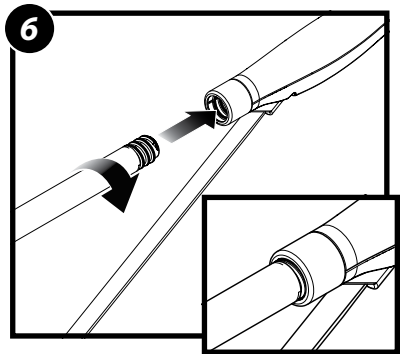
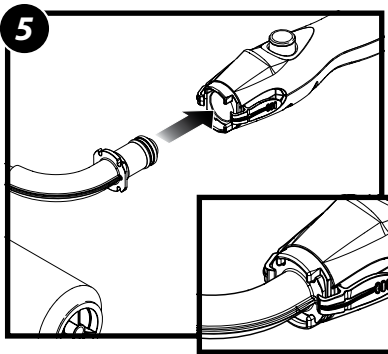
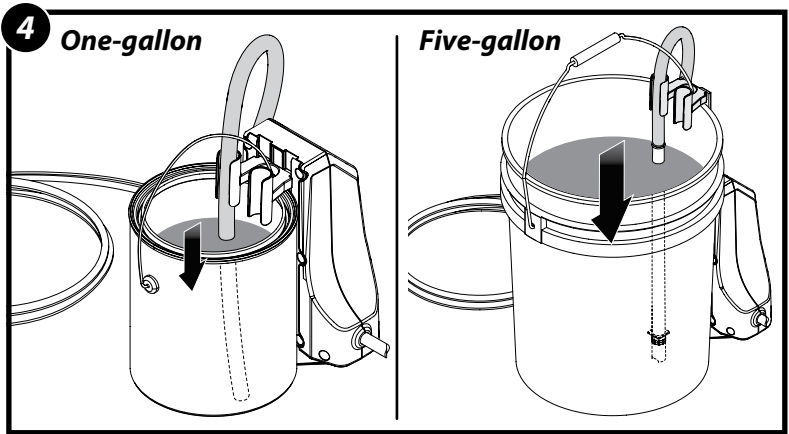
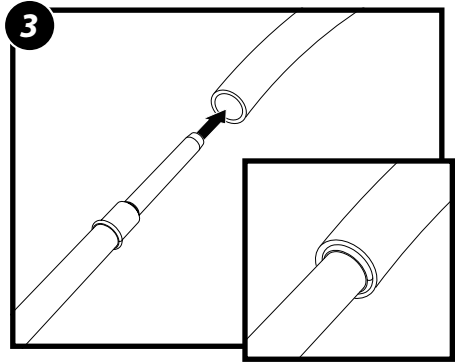
IMPORTANT: The container handle must be placed between the suction tube guide and the extension holder, or the container will tip when carried due to the added weight of the pump assembly.

Continued on next page.



Setup (continued)

3. **If using a five-gallon container,** insert the small end of the extension into the suction tube.
4. Place the suction tube back into position in the suction tube guide. Make sure the tube (or the extension) reaches the bottom of the material container.
5. Press the quick-release tabs on the handle and attach the roller arm assembly to the handle.
6. If you want to use an extension, a standard, household broom handle or other threaded extension can be threaded into the roller handle as shown.



Practice / Usage



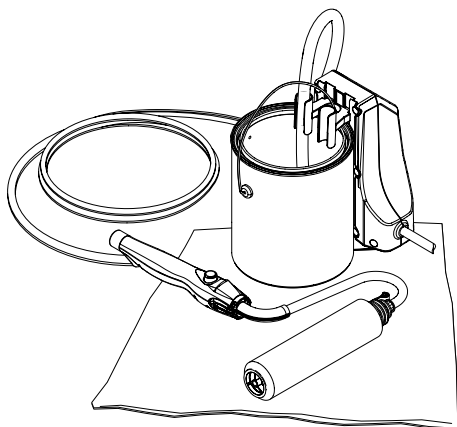
Scan this QR code with your mobile device and you will be directed to a video on Practice and Usage tips.

IMPORTANT: Make sure your floors and furnishings are covered with drop cloths during usage.

Break Periods

During break periods, the handle assembly should be placed flat with the roller sitting on a clean piece of cardboard or on top of the container.

- During break periods, make sure that the roller is not saturated with paint, or it will drip and accumulate.
- Avoid leaving the roller exposed to the sun or excessive heat during break periods.
- During extended break periods (more than 1/2 hour) wrap the roller in a plastic bag to keep it from drying out. Place it away from any heat sources and out of the sun.



Handle Button

When the handle button is pressed and released, the pump motor will turn on and material will begin flowing into the paint hose.

To shut the motor off and stop the flow of material, press and release the handle button again.

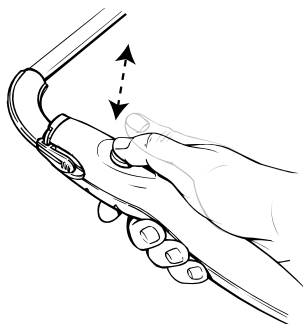
Note: Make sure to fully press and release the handle button. If the handle button is only partially pressed, the motor will start, but will shut down again after the button is released.

IMPORTANT: Do not submerge handle into any liquids, and avoid getting any spillage around the handle button.

Practice / Usage

1. Turn the ON/OFF switch to ON.
2. To start the motor, fully press and release the handle button.

When paint starts to show through the roller, press and release the handle button to shut off the motor.



Tips:

- Practice rolling on a scrap piece of wood or cardboard.
- Press the handle button to start and stop the pump as needed.

Practice / Usage

Prepping the Room

Remove all pictures, mirrors, and decorations from the walls and draperies from the windows. Remove all nails, hardware and switch and receptacle covers. Cover furniture and floor with drop cloths.

Surface Preparation

- Always remove wallpaper before painting. Wash off old adhesive and rinse with water. Allow the walls to dry before painting.
- Wash and rinse dirt, grease and oil build-up off the walls with soap and water.
- Fill all nail holes, joints and cracks with patching paste. Let dry and sand the surface until smooth. Clean sanded area with a damp cloth.
- Spot prime all patched areas and any marker and/or pen marks before applying first coat.

Tip: Write the important information from your paint can - color, formula, brand and paint type - on the back of a switch plate for future reference.

Painting the Room

Tip: If you need more than one gallon of paint to do the room's walls, mix them together to ensure color uniformity.

- Always make sure to open a window or door to ensure proper ventilation.
- If you are painting both the ceiling and walls in your room, start with the ceiling first and then move to the walls.

Ceilings:

- Paint across the short width of the ceiling.

Walls:

- Paint one wall at a time.
- Pick an area to start where you can saturate the roller cover and evenly distribute the paint. Working in three-foot sections, begin by cutting-in around windows, doors, cabinets, base and other breaks in the wall surface.
- Press and release the handle button until paint appears through the roller cover.
- Start painting at one end of a wall and roll out the letter "W". Fill it in with crosswise strokes, working your way across the wall in 3' x 3' sections. Finish the sections by painting one solid swipe from ceiling to floor. This will give you a nice even paint finish.
- Press and release the handle button as needed for more paint. Be careful not to over-saturate the roller cover as it may drip, slide on the wall or spatter.
- Make sure to run the roller cover over the areas you cut-in around the trim and baseboards to even out the texture.
- If you need to stop and take a break; finish painting the entire wall, or stop at a break in the wall such as a doorway or corner to prevent lap marks.

Cleanup



Scan this QR code with your mobile device and you will be directed to a video on Cleanup tips.

IMPORTANT: Make sure your floors and furnishings are covered with drop cloths during cleanup.

You will need:

- A waste container
- A minimum of one gallon of warm, soapy water if you used latex paints
- A minimum of one quart of mineral spirits if you used oil-based paints

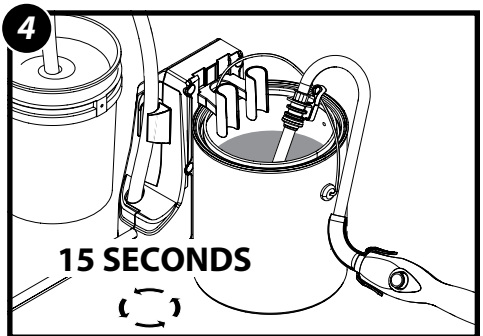
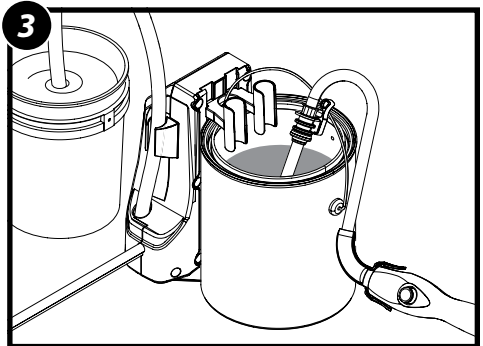
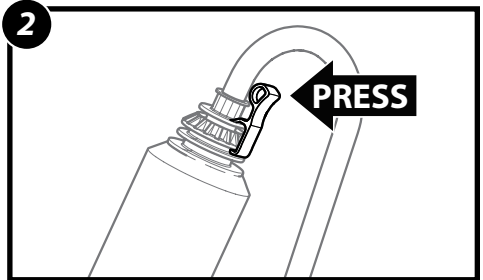
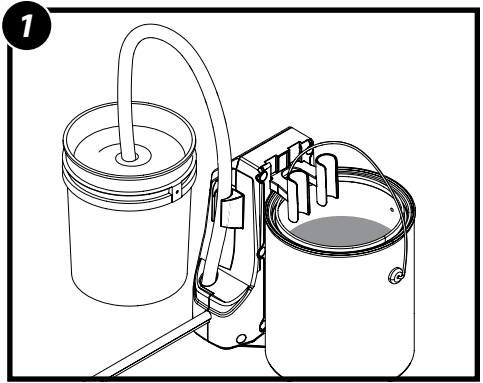
IMPORTANT: DO NOT SUBMERGE THE ROLLER HANDLE INTO ANY LIQUIDS!

Notes:

- Thoroughly cleaning your unit and its components is the best way to ensure the prolonged life of your unit.
- A light paint film residue may remain in the paint hose after cleaning. This is normal and will not affect the future performance of your unit.
- Switch the unit OFF (0) prior to removing any accessories or components.
- A Roller Cleanup Kit™ is available for separate purchase. See Accessories, page 44 for ordering information.

To Clean:

1. Submerge suction tube into a bucket of the appropriate cleaning solution.
2. Press locking tab and drop roller cover assembly into a bucket of the appropriate cleaning solution.
3. Place the roller arm in the material container in order to catch paint.
4. Turn the switch ON. Fully press and release the handle button to switch the motor on. Let the motor run for 15 seconds to push paint from the hoses back into the paint can. Fully press and release the handle button to switch the motor off.



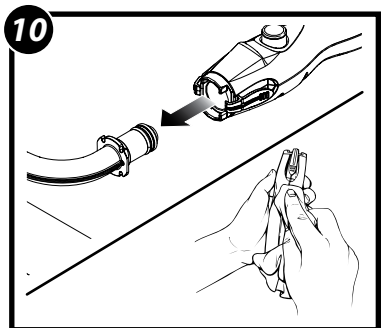
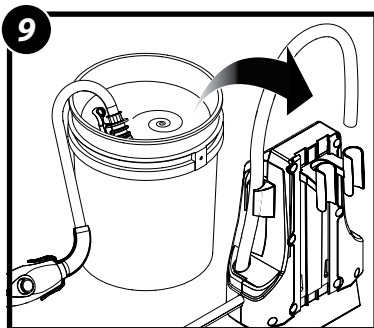
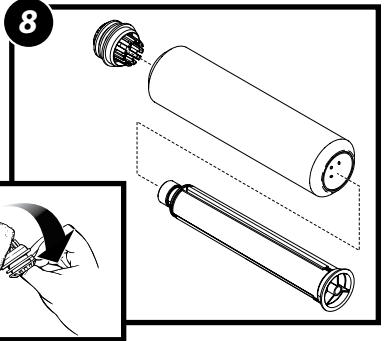
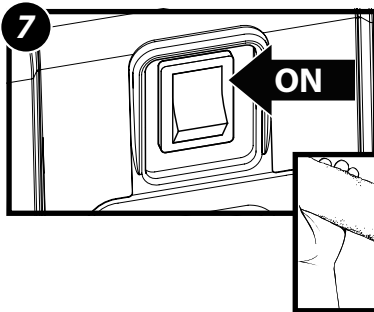
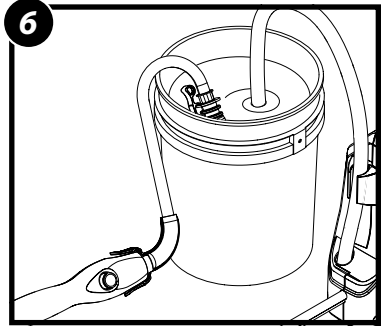
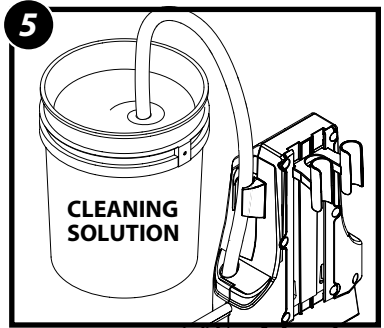
Cleanup (continued)

5. Remove container from pump. Leave suction tube submerged into the bucket of the appropriate cleaning solution.
6. Hang the roller arm from the bucket.
7. Fully press and release the handle button to run the appropriate cleaning solution through the hoses and roller arm.

Note: Allow the pump to circulate the cleaning solution for about 10 minutes. If desired, refill the bucket with new cleaning solution and repeat for another 5 minutes.

8. While unit is self-cleaning, disassemble the roller assembly*, and thoroughly clean the roller cover, core, and cap by hand.
* Insert thumb to first knuckle, pry and pull the cap from the roller cover. Once the cap is removed, push the core out the other end. **DO NOT throw away the core and cap.**
9. Fully press and release the handle button to switch the motor off.
Remove suction tube from solution and run motor until all cleaning solution is purged from the unit. Turn the switch OFF. Unplug power cord.
10. Press quick-release tabs and remove the roller arm from the roller handle. Remove any remaining paint with the appropriate cleaning solution and a damp cloth.

IMPORTANT: If you used mineral spirits to clean your unit, you must repeat all the steps on this page using warm, soapy water.



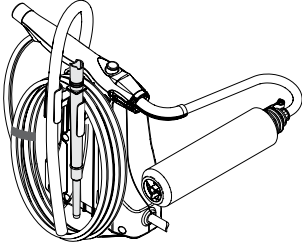
Storage / Maintenance

You will need:

- Petroleum jelly
- An old toothbrush or other similar cleaning brush

Cleaning and Storage Tips:

- Wrap the paint hose around the extension holder and rest the roller arm assembly on the pump underneath the suction tube for easy storage.



- Keep water, paint, and other residues away from the handle button. A clogged handle button will affect the performance of your unit.
- Be sure that your unit is free from all fluids before storage. After storing your unit in extreme cold temperatures, allow unit to reach room temperature before using.
- When storing your unit, be sure the paint hose is stored in a large loop without any kinks. If it is bent, it could be damaged.

IMPORTANT: Store the unit indoors with the power cord wrapped safely around the pump.

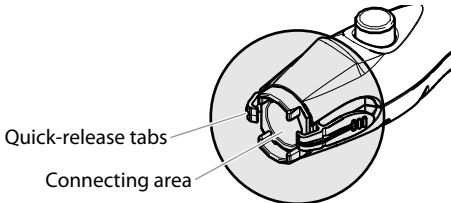


This unit contains no serviceable electrical parts. Do not attempt to service the unit yourself.

Maintenance

The areas on the roller handle indicated below must be cleaned thoroughly and lubricated after each use.

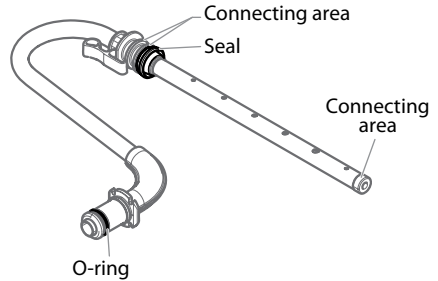
ALL paint should be removed from the areas highlighted in gray below, especially the quick-release tabs and all other areas that connect with other parts. This can be done by using the appropriate cleaning solution and an old toothbrush.



IMPORTANT: Do not submerge roller handle.

In addition to thoroughly cleaning your unit after every use, you must clean and lubricate the areas on the roller arm indicated below. Use a thin layer of petroleum jelly to lubricate the indicated areas.

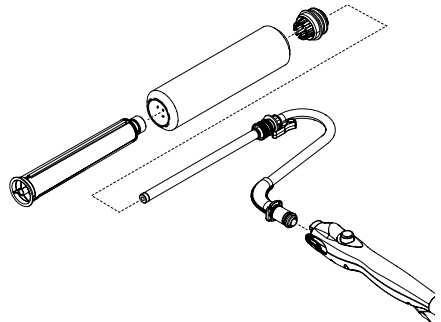
Proper lubrication will prolong O-ring and seal life, and keep your unit functioning smoothly.



Reassembly

When all of the components have been thoroughly cleaned, dried, and lubricated, you can now reassemble the roller assembly and roller arm for storage.

1. Reassemble the cap and core into the roller cover.
2. Reattach the roller assembly (cap, core and cover) to the roller arm.
3. Press the quick-release tabs on the roller handle and attach the roller assembly to the roller handle.



Troubleshooting

PROBLEM	CAUSE	SOLUTION
Problem A: The pump will not run.	<ol style="list-style-type: none"> 1. The power cord is unplugged, or no power in outlet. 2. The power switch is turned to 0 (OFF) and handle button has not been pressed. 3. There is a kink in the air hose. 4. Fluids have entered the handle assembly. 	<ol style="list-style-type: none"> 1. Plug the power cord into 120V outlet 2. Turn power switch ON and press handle button. 3. Unkink the air hose. If unit still fails to run, call Customer Service. 4. Call Customer Service.
Problem B: Paint fails to load the roller.	<ol style="list-style-type: none"> 1. The suction tube is not immersed in the paint. 2. There is an obstruction in the suction tube. 3. The paint can is empty. 	<ol style="list-style-type: none"> 1. Fully immerse the tube into the paint. 2. Remove the obstruction. 3. Fill the paint can.
Problem C: The motor does not turn off.	<ol style="list-style-type: none"> 1. The handle button is activated. 2. There is a kink in the air hose. 3. There is an air switch malfunction. 	<ol style="list-style-type: none"> 1. Press and release handle button. 2. Unkink the air hose. 3. Unplug unit, then call Customer Service.
Problem D: There is paint leakage.	<ol style="list-style-type: none"> 1. The seal on the roller arm is backwards. 2. The seal and cap were not properly cleaned. 3. The O-ring and the connecting area were not cleaned properly. 4. Paint residue on connecting areas. 5. The O-rings are damaged or missing. 6. The roller cover is worn or damaged. 7. The roller core or cap is worn or damaged. 8. The bearing areas on the roller arm are worn. 9. The pump tube is punctured. 10. The paint hose is damaged. 	<ol style="list-style-type: none"> 1. Turn the seal around. 2. Clean and properly lubricate. 3. Clean and properly lubricate (pg 9-10). 4. Clean connecting areas. 5. Replace the O-rings* 6. Replace the roller cover*. 7. Replace the roller core or cap*. 8. Call Customer Service 9. Call Customer Service 10. Call Customer Service

* Replacement parts available by calling customer service

Warranty

Wagner one year limited warranty - Keep on file

This product, manufactured by Wagner Spray Tech Corporation (Wagner) is warranted against defects in material and workmanship for one year following date of purchase if operated in accordance with Wagner's printed recommendations and instructions. This warranty does not cover damage resulting from improper use, accidents, user's negligence or normal wear. This warranty does not cover any defects or damages caused by service or repair performed by anyone other than a Wagner Authorized Service Center.

ANY IMPLIED WARRANTY OF MERCHANTABILITY OR FITNESS FOR A PARTICULAR PURPOSE IS LIMITED TO ONE YEAR FOLLOWING DATE OF PURCHASE. THIS PRODUCT IS DESIGNED FOR HOME USAGE ONLY. IF USED FOR COMMERCIAL OR RENTAL PURPOSES, THIS WARRANTY APPLIES ONLY FOR 30 DAYS FROM DATE OF PURCHASE. WAGNER SHALL NOT IN ANY EVENT BE LIABLE FOR ANY INCIDENTAL OR CONSEQUENTIAL DAMAGES OF ANY KIND, WHETHER FOR BREACH OF THIS WARRANTY OR ANY OTHER REASON. THIS WARRANTY DOES NOT APPLY TO ACCESSORIES.

If any product is defective in material and/or workmanship during the applicable warranty period, return it with proof of purchase, transportation prepaid, to any Wagner Authorized Service Center. Call the Wagner Technical Service at 1-800-760-3844 Monday through Friday between 8:00 AM and 4:30 PM Central time.

Thank you for your purchase!

Questions?

Call Wagner Technical Service at:

1-800-760-3844

Monday - Friday

8:00 am to 4:30 pm CST

Product Registration

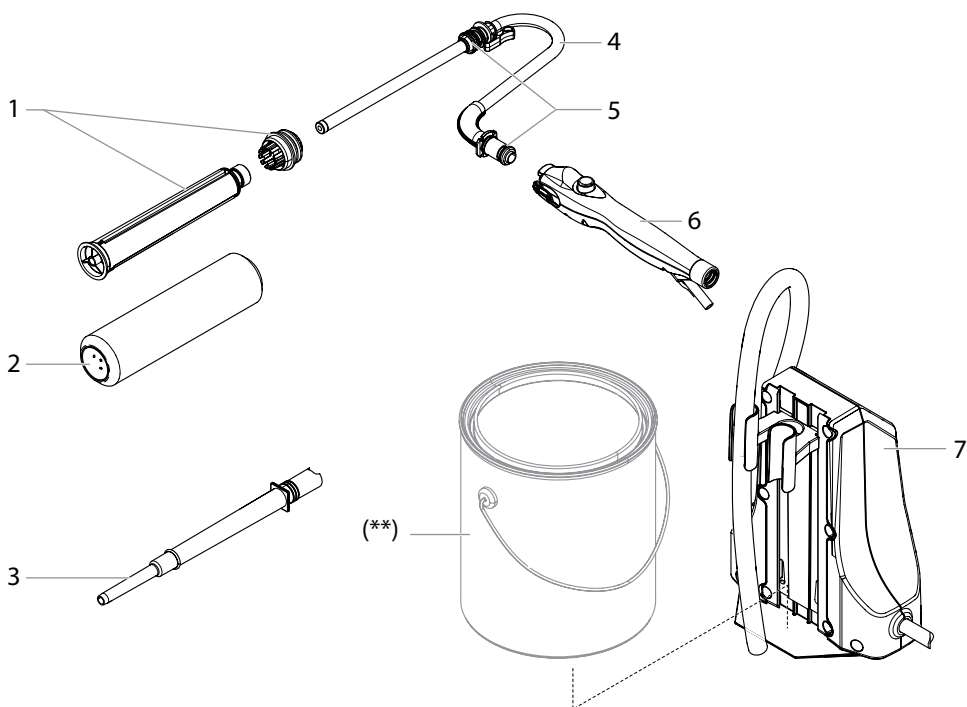
In order to register your product today, visit:

www.wagnerspraytech.com/registration

We value your opinion. To complete your review, please visit:

www.wagnerspraytech.com/reviews

Parts List • Liste de pièces • Lista de piezas



#	Part No. N° de pièce Pieza No.	English Description	Français Description	Español Descripción	Qty. Qte. Cant.
1	0514118	Roller core and cap	Corps du rouleau et capuchon	Centro y tapa del rodillo	1
2	0155206A	3/8" nap roller cover	Manchon de rouleau à grain de 3/8 po	Cubierta del rodillo con lanilla de 3/8"	1
3	0284432	Fill tube	Tube de remplissage	Tubo de llenar	1
4	0530216A	Roller arm assembly (includes item 5)	Ensemble de bras de rouleau (inclut l'article 5)	Conjunto del brazo del rodillo (incluye el artículo 5)	1
5	0514112	Seal and O-rings	Joint d'étanchéité et joints toriques	Sello y juntas tóricas	1
6	0530251A	Handle assembly (does not include hoses)	Ensemble de la poignée (ne comprend pas les tuyaux)	Conjunto de la manilla (no incluye mangueras)	1
7	-----	Pump	Pompe	Bomba	1
8	0530554	Strap (not shown)	Courroie (non représentés)	Correa (no ilustrado)	1
(**)	-----	For reference only	À titre de référence seulement	Sólo para referencia	

Optional Accessories • Accessoires Optional • Accesorios Opcional

Part No. N° de pièce Pieza No.	English Description	Français Description	Español Descripción
0155206A	3/8" nap roller cover (9")	Manchon de rouleau à grain de 3/8 po (22 cm)	Cubierta del rodillo con lanilla de 3/8" (9")
0155208A	3/4" nap roller cover (9")	Manchon de rouleau à grain de 3/4 po (22 cm)	Cubierta del rodillo con lanilla de 3/4" (9")
0284112B	Roller Cleanup Kit™	Roller Cleanup Kit™	Roller Cleanup Kit™
0514026	Trim pad	Rouleau pour garnitures	Almohadilla para bordes
0514028	Corner pad	Rouleau pour coins	Almohadilla para esquinas
0530201A	SMART Edge Roller arm assembly*	Bras de rouleau SMART Edge*	Brazo del rodillo SMART Edge*
0530206A	SMART Mini Roller arm assembly*	Bras de rouleau SMART Mini Roller*	Brazo del rodillo SMART Mini Roller*
0530217A	Roller arm adapter	Adaptateur de bras de rouleau	Adaptador de brazo del rodillo
0514230	Spatter guard	Garde-éclaboussures	Protección contra salpicaduras
<p>* Must be used along with 0530217A * Doit être utilisé avec la pièce 0530217A * Se debe usar junto con 0530217A</p>			