

LA CORNUE

La Cornue Hood Installation guide

Château Line



USA & Canada

CONTENTS

	Pages
WARNINGS	3
1 Installation.....	4
2. Risk of injury.....	4
3. Electrical Installation.....	4-5
4. Ventilation shaft.....	5
5. Fire hazards	6
6. Distance from the cooktop.....	6
DESCRIPTION.....	6
1 General description.....	6
2 Technical characteristics of hood equipment.....	7
3. LaCornue hood Dimensions and technical information.....	8 - 10
ASSEMBLY INSTRUCTIONS.....	11 - 16
ELECTRICAL DIAGRAM.....	17 - 18
WARRANTY	19 - 20

All of the characteristics are provided for information purposes only. With the aim of constantly improving its production quality, La Cornue may make modifications to its appliances in line technological developments.

WARNINGS

Read the guides before installing and using this appliance. We decline any responsibility for damage or fires caused by the device if the following warning are not observed.

Keep these guides with your device. If the device has to be sold or transferred, the new user shall be informed of its operation and any important warnings. This device may not be used by children or disabled persons without the presence of an adult .

State of California Proposition 65 Warnings:

WARNING: This product contains one more chemicals known to the State of California to cause cancer.

WARNING: This product contains one more chemicals known to the State of California to cause cause birth defects or other re-productive harm.

IMPORTANT SAFETY INSTRUCTIONS

WARNING: TO REDUCE THE RISK OF FIRE, ELECTRIC SHOCK, OR INJURY TO PERSONS, OBSERVE THE FOLLOWING:

- ◆ Use this unit only in the manner intended by the manufacturer. If you have questions, contact the manufacturer.
- ◆ Before servicing or cleaning the unit, switch power off at service panel and lock the service disconnecting means to prevent power from being switched on accidentally. When the service disconnecting means cannot be locked, securely fasten a prominent warning device, such as a tag, to the service panel.
- ◆ Installation work and electrical wiring must be done by qualified person(s) in accordance with all applicable codes and standards, including fire-rated construction.
- ◆ Do not operate any fan with a damaged cord or plug. Discard fan or return to an authorized service facility for examination and/or repair.
- ◆ Sufficient air is needed for proper combustion and exhausting of gases through the flue (chimney) of fuel burning equipment to prevent back drafting. Follow the heating equipment manufacturer's guideline and safety standards such as those published by the National Society for Heating, Refrigeration and Air Conditioning Engineers (ASHRAE), and the local code authorities.
- ◆ When cutting or drilling into wall or ceiling: do not damage electrical wiring and other hidden utilities.
- ◆ Ducted fans must always be vented outdoors.

CAUTION: For general ventilating use only. Do not use to exhaust hazardous or explosive materials and vapors.

CAUTION: To reduce risk of fire and to properly exhaust air, be sure to duct air outside - do not vent exhaust air into spaces within walls or ceilings, attics or into crawl spaces, or garages.

WARNING: TO REDUCE THE RISK OF FIRE, USE ONLY METAL DUCTWORK.

WARNING: TO REDUCE THE RISK OF A RANGE TOP GREASE FIRE:

- ◆ Never leave surface units unattended at high settings. Boilovers cause smoking and greasy spillovers that may ignite. Heat oils slowly on low or medium settings.
- ◆ Always turn hood ON when cooking at high heat or when flambéing food (i.e. Crepes Suzette, Cherries Jubilee, Peppercorn Beef Flambé).
- ◆ Clean ventilating fans frequently. Grease should not be allowed to accumulate on fan or filter.
- ◆ Use proper pan size. Always use cookware appropriate for the size of the surface element.

WARNING: TO REDUCE THE RISK OF INJURY TO PERSONS IN THE EVENT OF A RANGE TOP GREASE FIRE, OBSERVE THE FOLLOWING:

- ◆ **SMOTHER FLAMES** with a close fitting lid, cookie sheet, or metal tray, then turn off the burner. Be **CAREFUL TO PREVENT BURNS**. If the flames do not go out immediately, **EVACUATE AND CALL THE FIRE DEPARTMENT**.
- ◆ **NEVER PICK UP A FLAMING PAN** - you may be burned.
- ◆ **DO NOT USE WATER**, including wet dishcloths or towels - a violent steam explosion will result.
- ◆ Use an extinguisher **ONLY** if:
 - You know you have a class ABC extinguisher, and you already know how to operate it.
 - The fire is small and contained in the area where it started.
 - The fire department is being called.
 - You can fight the fire with your back to an exit.

Based on "Kitchen Fire Safety Tips" published by NFPA.

- ◆ **WARNING:** To reduce the risk of fire or electrical shock, do not use this fan with any solid-state speed control device.

READ AND SAVE THESE INSTRUCTIONS

For Mobile Home Installations

The installation of this range hood must conform to the Manufactured Home Construction Safety Standards, Title 24 CFR, Part 328 (formerly the Federal Standard for Mobile Home Construction and Safety, Title 24, HUD, Part 280) or when such standards is not applicable, the standard for Manufactured Home Installation 1982 (Manufactured Home Sites, Communities and Setups) ANSI A225.1/ NFPA 501A, or latest edition, or with local codes.

CAUTION-Only for units intended for use with Remote Blowers-To Reduce The Risk Of Fire And Electric Shock, Install This Range hood Only With Remote Blower Models EBI600 or EBI1200 Rated Maximum a 7.5 A

WARNINGS

1. Installation

This appliance must be installed by a qualified professional in accordance with the current regulations in the country where the appliance is installed.

All installation and connection operations, activation and repairs must imperatively be performed by a qualified technician. The technician will determine the type of wall mounting and the outer ventilation outlet connection adapted to your hood model.

Take account of the hood's weight and the support structure's technical characteristics when choosing the type of wall mounting. Respect the permitted maximum load values for the supplied pegs. They have the following values depending on the type of support structure (10mm-diameter pegs):

- Concrete: 9,4 kN,
- Bricks: 5,2 kN,
- Sand-line briks: 4.8 kN.

For any other support structures, please ask the opinion of a building expert (e.g. architect) to guarantee correct and stable hood assembly.

Incorrect assembly may cause the hood to become loose and the appliance could fall.

2. Risk of injury!

Certain parts of the hood may present sharp edges due to production. To protect your hands, wear safety gloves during installation.

WARNING

Excessive Weight Hazard

Use two or more people to move and install range hood.

Failure to do so can result in back or other injury.

3. Danger of electric shock

The electrical supply voltage must correspond to the voltage indicated on the rating plate situated inside the hood near the filters.

Connect the hood to an electrical supply which must be connected to earth and equipped with a circuit breaker in accordance with the current regulations. The electrical supply must be freely accessible to the power circuit to interrupt during maintenance in case of maintenance.

In the case of a direct connection to the network, only a qualified electrician may connect the hood to the electric current. In this case, the electrician must connect the hood to a single-phase alternating current circuit equipped with a bipolar differential switch.

Observe all governing codes and ordinances.

Ensure that the electrical installation is adequate and in conformance with National Electrical Code, ANSI/NFPA 70 (latest edition), or CSA Standards C22.1-94, Canadian Electrical Code, Part 1 and C22.2 No.0-M91 (latest edition) and all local codes and ordinances.

If codes permit and a separate ground wire is used, it is recommended that a qualified electrician determine that the ground path is adequate.

A copy of the above standards can be obtained from:

National Fire Protection Association
1 Batterymarch Park
Quincy, MA 02169-7471
CSA International
8501 East Pleasant Valley Road
Cleveland, OH 44131-5575

- 4 ♦ A 120 volt, 60Hz., AC only, 15-amp, fused electrical circuit is required.

♦ If the house has aluminum wiring, follow the procedure below:

1. Connect a section of solid copper wire to the pigtail leads.
2. Connect the aluminum wiring to the added section of copper wire using special connectors and/or tools designed and UL listed for joining copper to aluminum.

Follow the electrical connector manufacturer's recommended procedure. Aluminum/copper connection must conform with local codes and industry accepted wiring practices.

♦ Wire sizes and connections must conform with the rating of the appliance as specified on the model/serial rating plate. The model/serial plate is located behind the filter on the rear wall of the range hood.

♦ Wire sizes must conform to the requirements of the National Electrical Code, ANSI/NFPA 70 (latest edition), or CSA Standards C22. 1-94, Canadian Electrical Code, Part 1 and C22.2 No. 0-M91 (latest edition) and all local codes and ordinances.

WARNINGS

Cut off the current before performing any electrical interventions on the hood.

Ensure that none of the electrical cables are damaged before drilling the mounting holes into the wall or the ceiling. Perform the electrical connection so that you can easily connect the hood.

Comply with local directives.

4. VENTILATION SHAFT

Never connect a hood to a CMV (Controlled Mechanical Ventilation), central heating or gas heating shaft.

Venting Requirements

- ◆ Vent system must terminate to the outside, except for non-vented (recirculating) installations.
- ◆ Do not terminate the vent system in an attic or other enclosed area.
- ◆ Do not use 4" (10.2cm) laundry-type wall caps.
- ◆ Use metal vent only. Rigid metal vent is recommended. Do not use plastic or metal foil vent.
- ◆ The vent system must have a damper. If the roof or wall cap has a damper, do not use the damper supplied with the range hood.

For the most efficient and quiet operation:

- ◆ Use a straight run or as few elbows.
- ◆ Use no more than three 90° elbows.
- ◆ Make sure there is a minimum of 24" (61.0cm) of straight vent between the elbows if more than 1 elbow is used.
- ◆ Do not install 2 elbows together.
- ◆ Use vent clamps to seal all joints in the vent system.
- ◆ Use caulking to seal exterior wall or roof opening around the cap
- ◆ The size of the vent should be uniform.

Respect the current regulations for ventilation shafts.

Prepare the ventilation shaft so that you can easily connect the hood. To optimise the performance of your hood, **ensure that you respect the ventilation outlet diameter recommended by the manufacturer.**

Install the ventilation shaft without folding it. Elbows formed by the ventilation shaft reduce your hood's efficiency. Avoid them as far as possible by installing the hood as close as possible to the ventilation shaft.

Your hood is an "external ventilation" model. Do not evacuate the air to areas with walls and ceilings, e.g. Roof space, attics, garages.

Check that there is sufficient air entering your kitchen, taking account of all other appliances installed in the same room and powered by a source of energy other than electrical energy (e.g. Wood-burning or fuel-fired appliances, etc.).

Cold Weather Installations

An additional back draft damper should be installed to minimize backward cold air flow and a thermal break should be installed to minimize conduction of outside temperatures as part of the vent system. The damper should be on the cold air side of the thermal break.

The break should be as close as possible to where the vent system enters the heated portion of the house.

Makeup Air

Local building codes may require the use of makeup air systems when using ventilation systems greater than specified CFM of air movement. The specified CFM varies from locale to locale. Consult your HVAC professional for specific requirements in your area

WARNINGS

5. FIRE HAZARDS

To reduce fire hazards, only use metal shafts.

The hood can only be installed above a solid fuel fire if the fire is closed by a non-removable cover.

Never flambé food under the hood or leave a gas burner alight without a container. Any flames entering the hood may damage the filters and cause a fire.

Frying food must be monitored attentively. Overheated oils and greases can catch fire.

Clean the appliance regularly according to the indications given in the “Maintenance and Cleaning” chapter

6. DISTANCE FROM THE COOK TOP

To optimise the performance of your hood, install the hood at a distance from a cook top least 30” from an electric cook top least 36” from a gas or mixed cook top.

We reserve the right to make technical changes.

DESCRIPTION

1. GENERAL DESCRIPTION

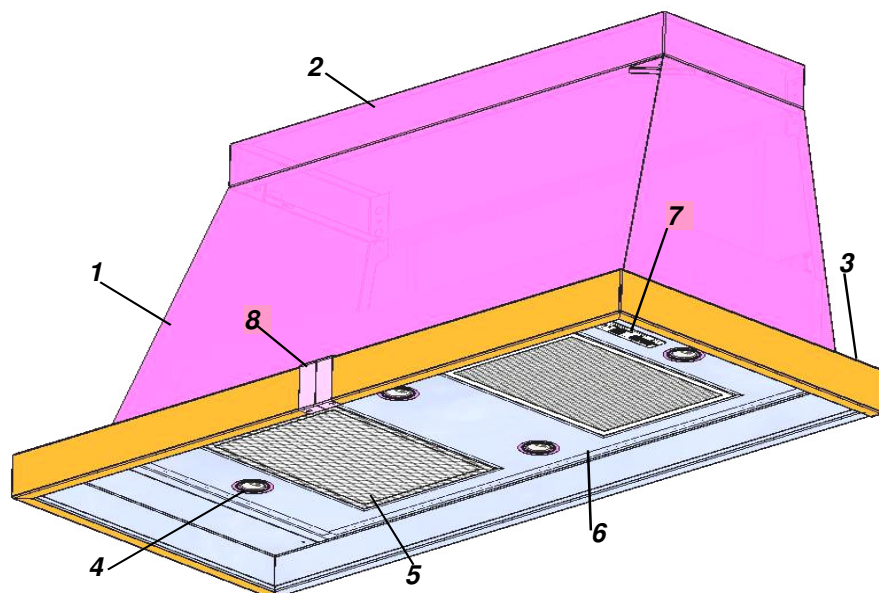
This document is common to all La Cornue Château line hood models. With our “special”, “individual” manufacturing principle offering a wide variety of models, it is quite possible that you may not find the description or the technical characteristics for your personal model in this brochure.

This guide only provides you with the dimensions and the technical characteristics for “standard” wall hoods equipped with integrated motors (one or tow motors). Nevertheless, you can refer to this guide for performing the installation and using the other models.

Refer to your order to know exactly your hood model, its dimensions and its equipment.

In our constant endeavour to improve and innovate our products and in order to offer you the most appropriate solutions, we reserve the right to modify their technical, functional or aesthetical characteristics with regard to their technical development and any changes to current regulations.

1. hood mantel
2. Ferrule
3. Listel
4. Light LED
5. Filter
6. Stainless stell ceiling
7. Control panel
8. Listel connecting piece



GENERAL INFORMATION

2. TECHNICAL CHARACTERISTICS OF HOOD EQUIPMENT

Voltage: 120 V a. c. single-phase + earth / 60 Hz

for 1 motor version and 4 LED Lights

- Nominal flow: 600 cfm
- Electrical power: 460W
- Current: 3,8 A

Lighting :

- light LED
- power 2,5 W

Filter :

- Stainless steel
- Dimensions: 300 x 400 mm

Control panel inside the hood on the motor speed regulator and light button.

3. HOOD DIMENSIONS AND TECHNICAL INFORMATION

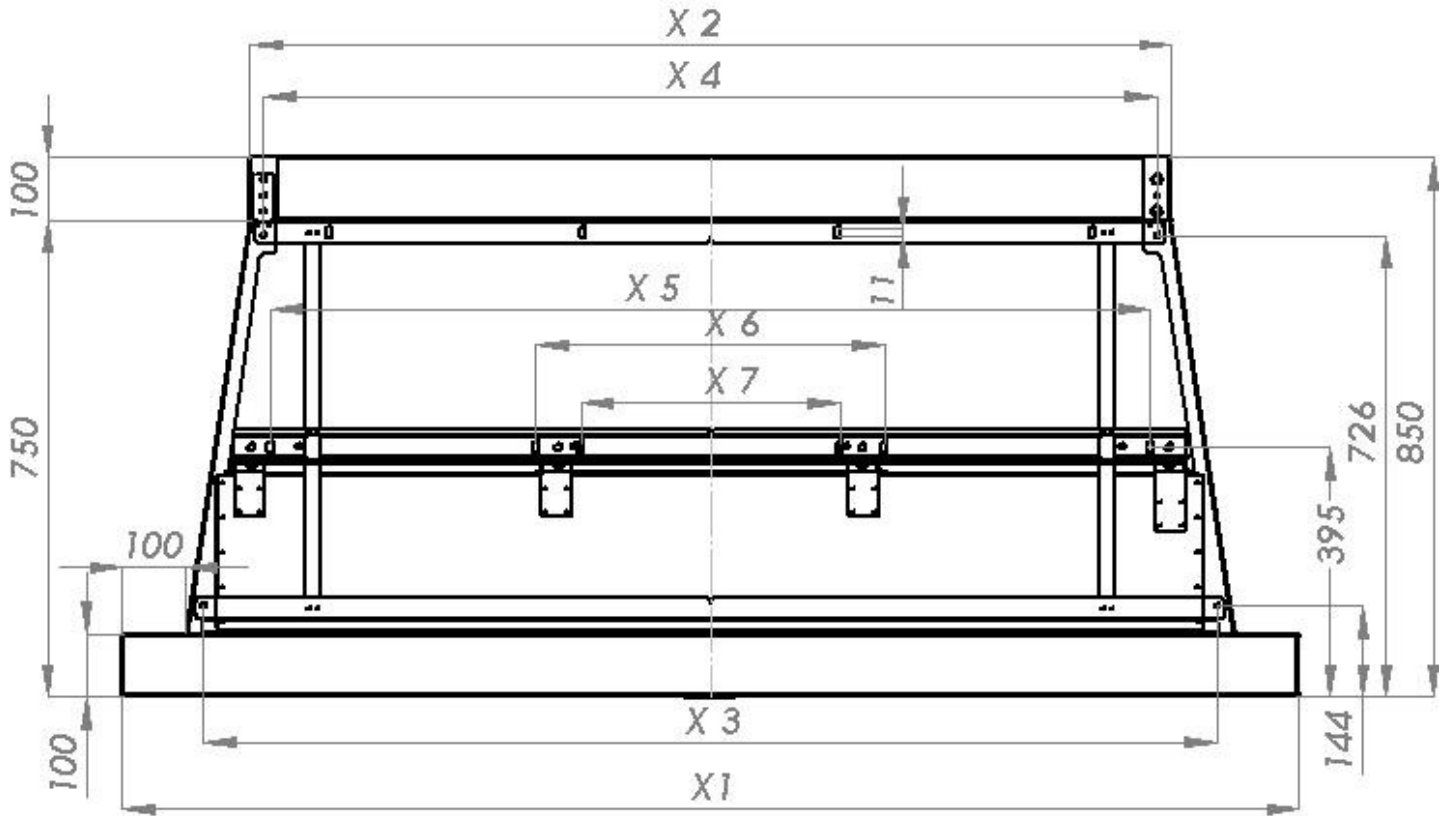
	G 005 2E250 8E RC	G 005 2E250 4E RC				G 005 E250 4E RC	
	Grand Palais 180	Château 165	Château 150	Grand Châtelet 135	Château 120	Château 90	Château 75
X 1 (mm)	2000	1850	1700	1550	1400	1100	950
X 2 (mm)	1600	1450	1300	1150	1000	700	550
X 3 (mm)	1744	1594	1444	1294	1144	844	694
X 4 (mm)	1556	1406	1256	1106	956	656	465
X 5 (mm)	1534	1384	1234	1084	934	624	475
X 6 (mm)	598	548	498	548	398	-	-
X 7 (mm)	458	408	358	408	258	-	-
Weight kg	160	150	130	110	100	80	70
Voltage Volts	120 Va.c. 60Hz	120 Va.c. 60Hz	120 Va.c. 60Hz	120 Va.c. 60Hz	120 Va.c. 60Hz	120 Va.c. 60Hz	120 Va.c. 60Hz
Total power Watt	920	910	910	910	910	460	460
Number of integrated motor	2	2	2	2	2	1	1
Number of filters	2	2	2	2	2	1	1
Number of LED lights	8	4	4	4	4	4	4
Diameter of the exhaust flange mm	200	200	200	200	200	150	150
Fixing screws	10	10	10	10	8	6	6

Electrical rating for products intended for use in conjunction with remote In-Line blower separately sold:

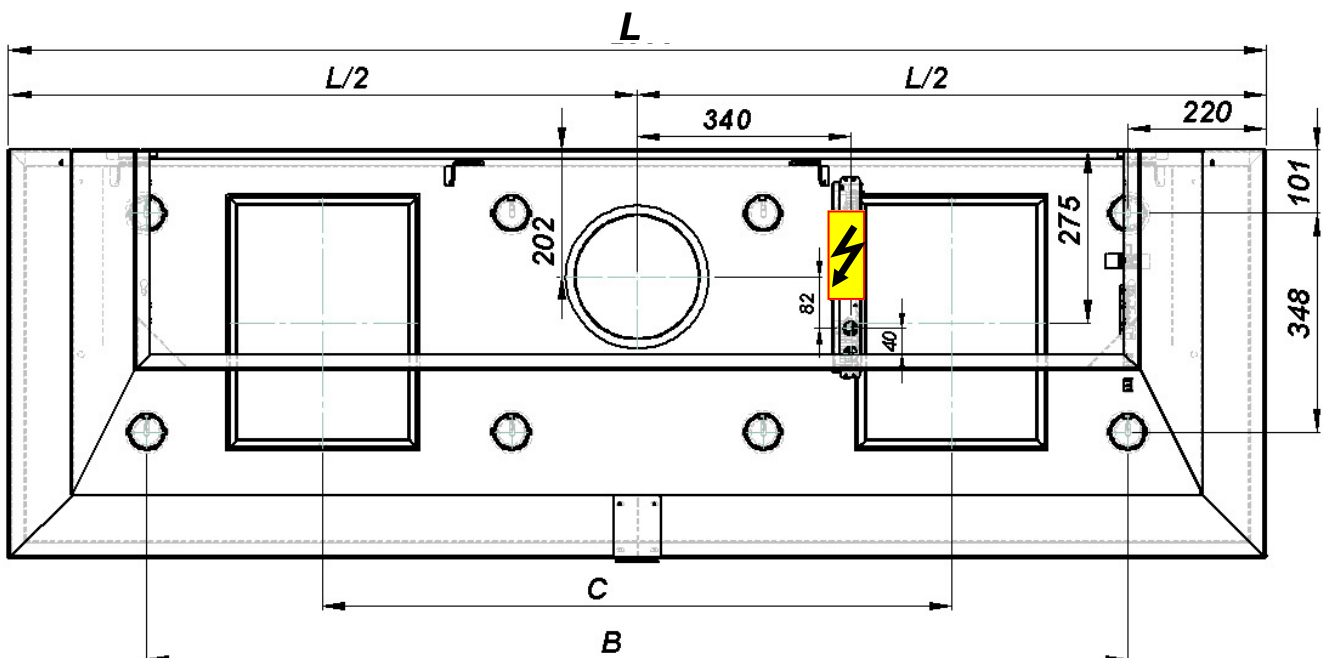
Type with remote blower	Tot. A	Tot. W	LED Lamps	Remote In-Line Blower
G005 GA 4E RC (Château 75, Château 90)	3,8 A	460 W	4 x 2,5 W	EBI 600
G005 GA 4E RC (Le Château 120, Le Château 150, Le Château 165, Grand Chatelet 135)	7,6 A	910 W	4 x 2,5 W	EBI 1200
G005 GA 8E RC (Grand Palais 180)	7,7 A	920 W	8 x 2,5 W	EBI 1200

GA = Remote In-Line Blower EBI 600 or EBI 1200

3. HOOD DIMENSIONS AND TECHNICAL INFORMATION



	Grand Palais 180	Château 165	Château 150	Grand Châtelet 135	Château 120	Château 90	Château 75
L	2000	1850	1700	1550	1400	1100	950
L / 2	1000	925	850	775	700	550	475
B	1590	1440	1290	1140	990	690	540
C	1000	1000	850	700	550	-	-



ASSEMBLY INSTRUCTIONS



WARNING

Excessive Weight Hazard

Use two or more people to move and install range hood.

Failure to do so can result in back or other injury

HOOD WITH EXTERNAL EXTRACTION

An assembly jig is attached to the hood for transportation to avoid any damage. To install the hood, you must first remove this jig according to the following indications but, before doing so, you must imperatively prepare the hood support structure according to our instructions.

For Hoods with Ferrule leave at Least 150mm between Ceiling and Top Screws (V)

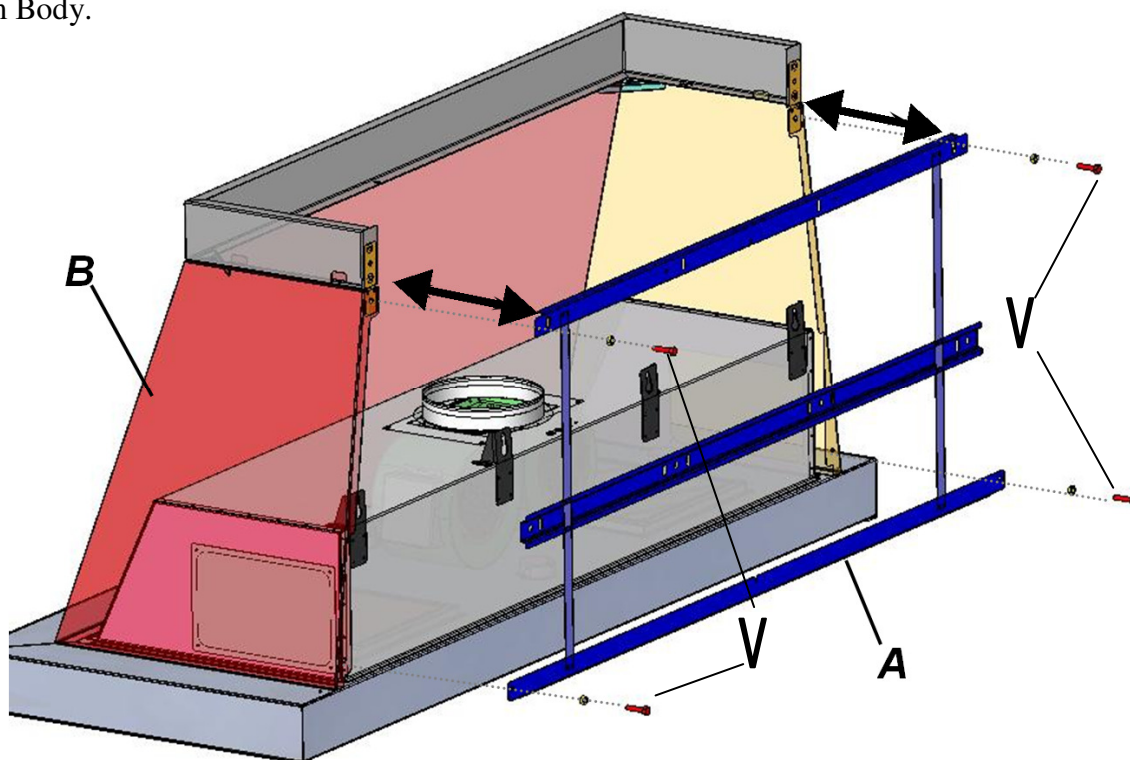
1. Prepare the external extraction ventilation shaft in the wall or in the ceiling.

To guarantee the best smoke extraction results, the hood must be centred in relation to the cooking.

To facilitate mounting, start by tracing the cook top's central axis. If there are no constraints, respect a height of approximately 900 mm (+/- 50mm) between the cook top and the hood (minimum 30" on electric and minimum 36" on gas).

Depending on the installation conditions, we recommend you to leave a slight space between the top of the hood and the ceiling to facilitate ferrule assembly.

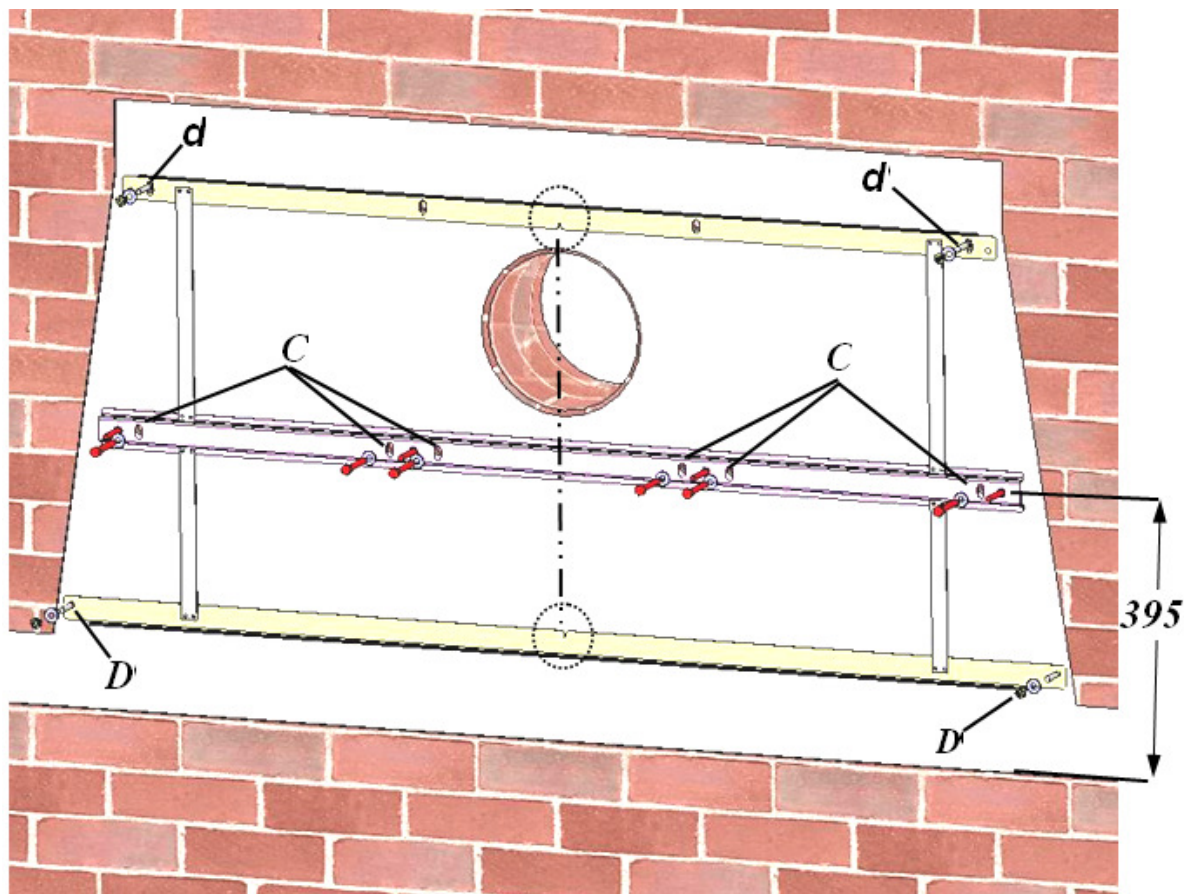
2. Unscrew the assembly jig (A) from the hood and remove the hexagonal head screws (V). These screws will be replaced by the threaded rods supplied in the packaging with the hood. Then remove the hood mantel (B) from Body.



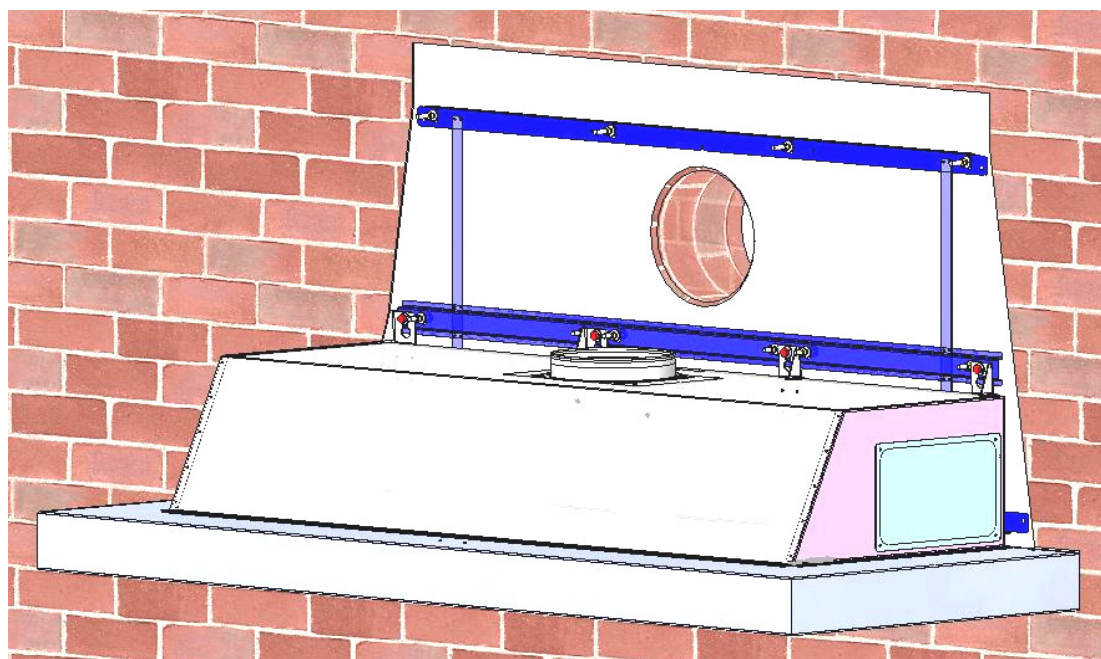
ASSEMBLY INSTRUCTIONS

3. Position the assembly jig on the wall. The grooves in the middle of the bars indicate the centre of the hood. Ensure that the assembly jig is horizontal and mark the holes for drilling. Drill the holes indicated on the jig in the wall and insert pegs adapted to the type of wall. Fix the assembly jig into holes **C** with long screws and into the upper and lower holes (**d, D**) with the threaded rods supplied with the hood.

N.B. The pegs supplied are only suitable for solid materials.

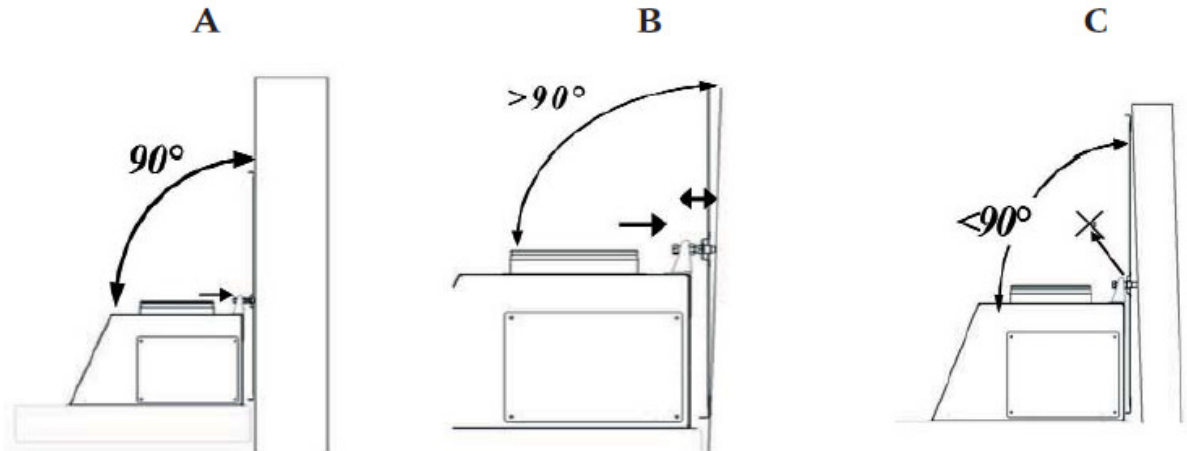


4. Now fix the hood body to the assembly jig's central crossbeam and ensure that the jig and the body are well secured.



ASSEMBLY INSTRUCTIONS


5. The mounting lugs allow you to adjust the position (angle) of the hood body in relation to the wall. Choose your version according to the shape of the wall (A, B, or C). The adjusting screws must be blocked with the locknuts.



6. Connect the ventilation shaft to the manifold flange. **Please note: The ventilation shaft must not be folded or crushed.** Perform the electrical connections.

7.1 ELECTRICAL CONNECTIONS - HARD WIRE FROM HOME POWER SUPPLY


⚠ WARNING



Electrical Shock Hazard

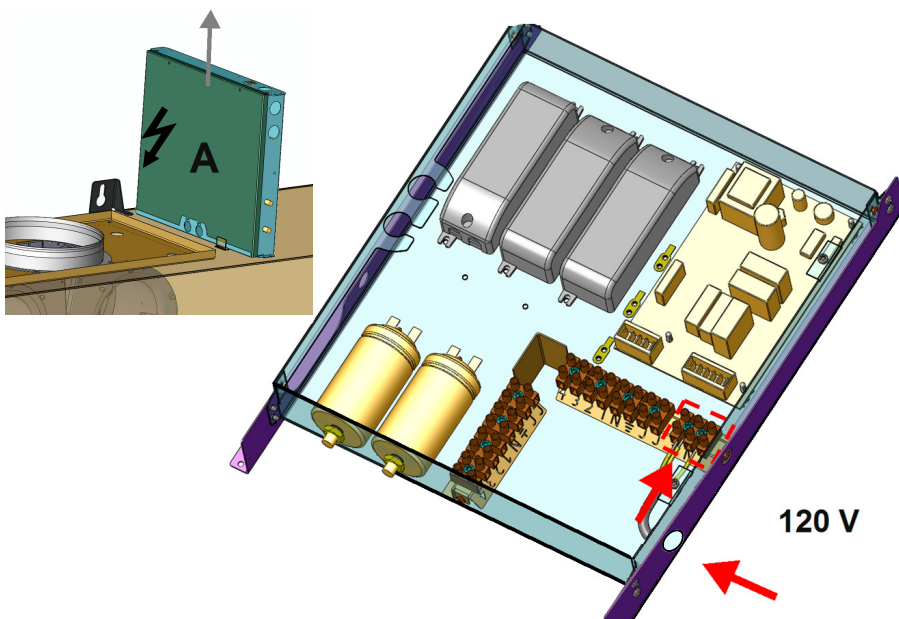
Disconnect power before servicing.
Replace all parts and panels before operating.
Failure to do so can result in death or electrical shock.

⚠ WARNING



Electrical Shock Hazard

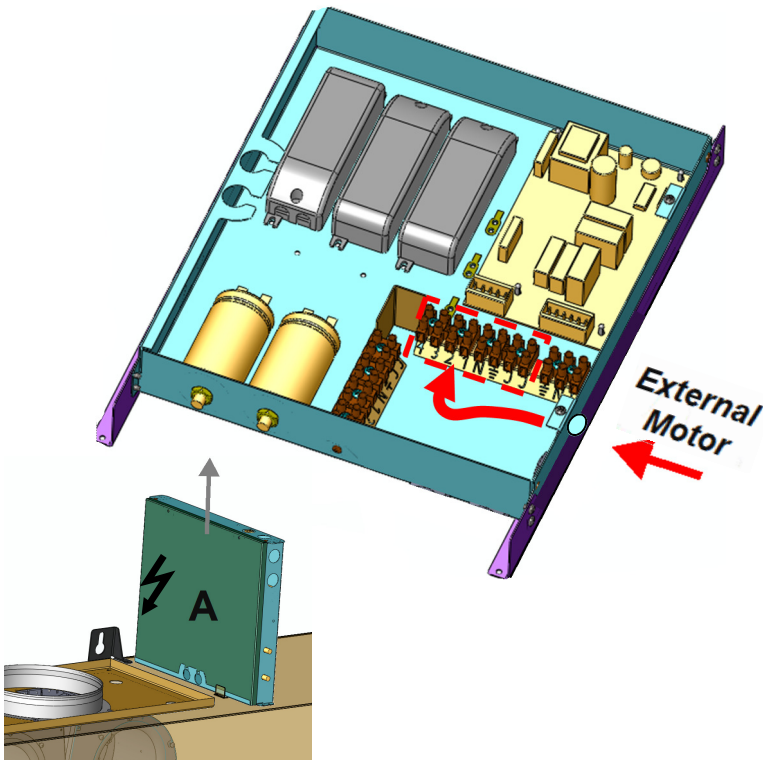
Electrically ground blower.
Connect ground wire to green and yellow ground wire in terminal box.
Failure to do so can result in death or electrical shock.



1. Disconnect power
2. Remove the terminal box cover A
3. Install a UL listed or CSA approved ½" strain relief
4. Run the home power supply cable through the strain relief, into the terminal box
5. Lose n the screw labeled L on the terminal block and connect black wire from power supply. Retighten the screw
6. Lose n the screw labeled N on the terminal block and connect white wire from power supply. Retighten the screw
7. Lose n the screw labeled with GROUND SYMBOL on the terminal block and connect green (or bare) ground wire from power supply. Retighten the screw
8. Tighten the strain relief screws
9. Reinstall the terminal box cover
10. Reconnect power

ASSEMBLY INSTRUCTIONS

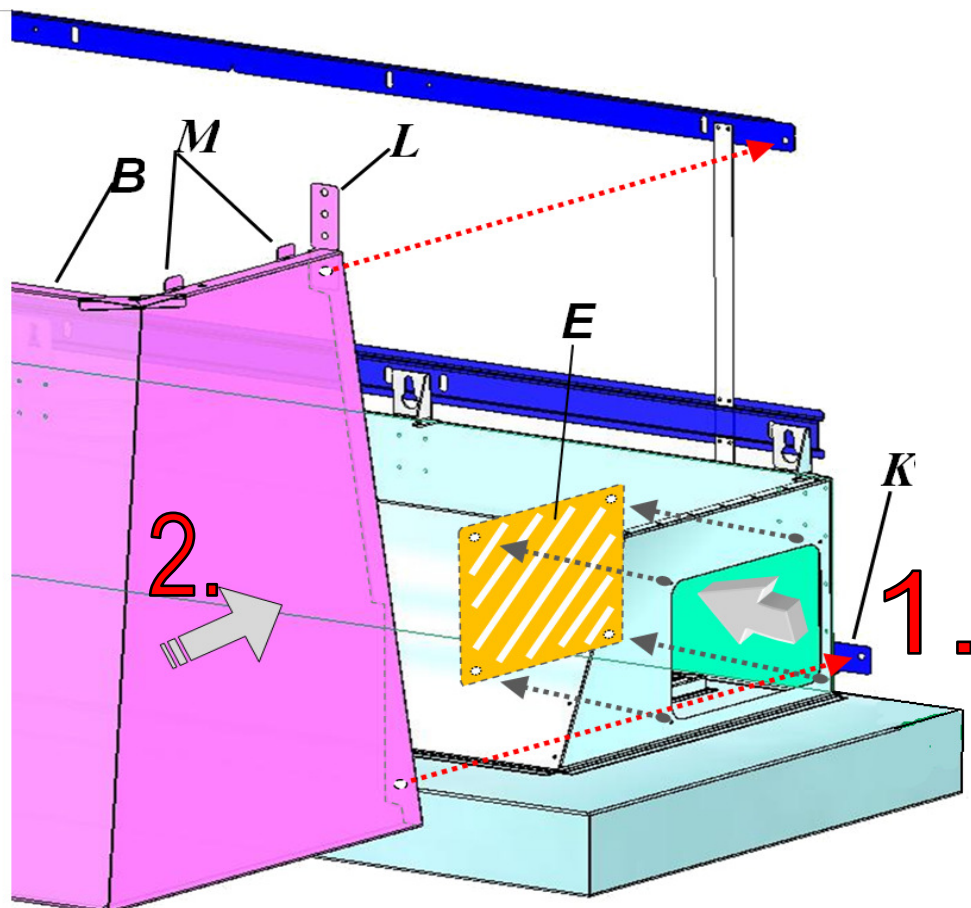
7.2 REMOTE BLOWER INSTALLATION



1. Disconnect power
2. Remove the terminal box cover A
3. Install a UL listed or CSA approved ½" strain relief
4. Run the remote blower cables through the strain relief, into the terminal box
5. Loosen the screws labeled 1-2-3-4-N-C-C-GROUND SYMBOL and connect remote blower cables according to the wiring diagram instructions. Retighten the screws
6. Tighten the strain relief screws
7. Reinstall the terminal box cover
8. Reconnect power

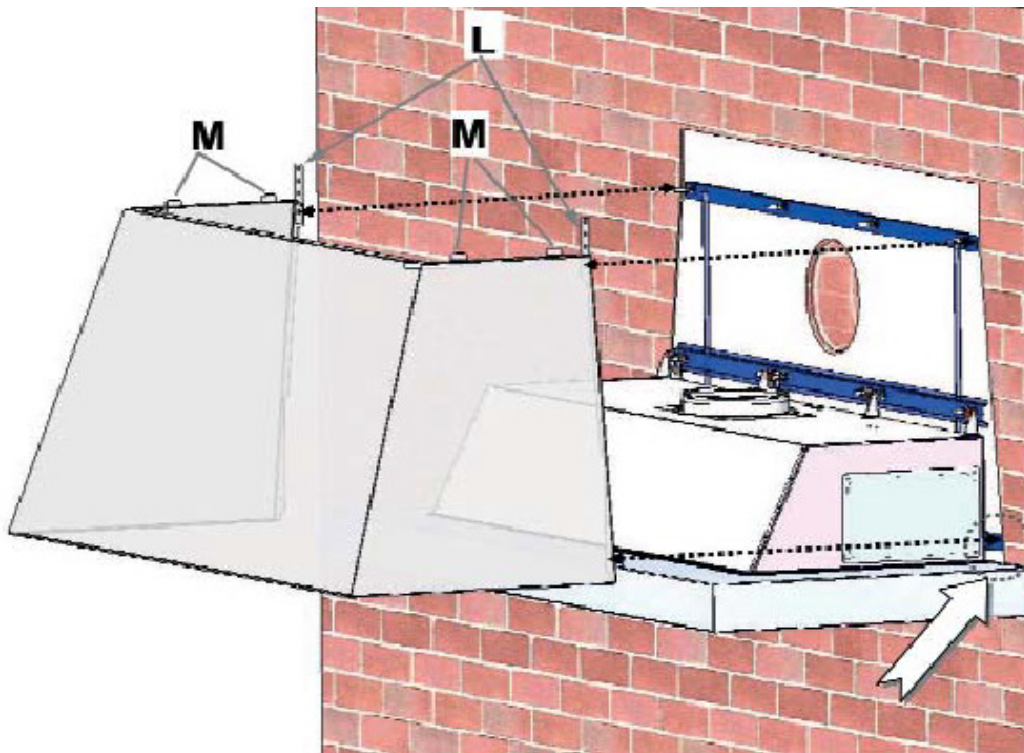
8. Remove the 2 hatches (E) from the sides of the body.

9. Fit the mantel (B) onto the threaded rods (K) using the provide nuts. The hood mantel must not be twisted. Using a 90 degree screwdriver screw the mantel at the Bottom via the hatch and at the top space left vacant for the ferrule. Replace the hatches inside the Body via the filters.



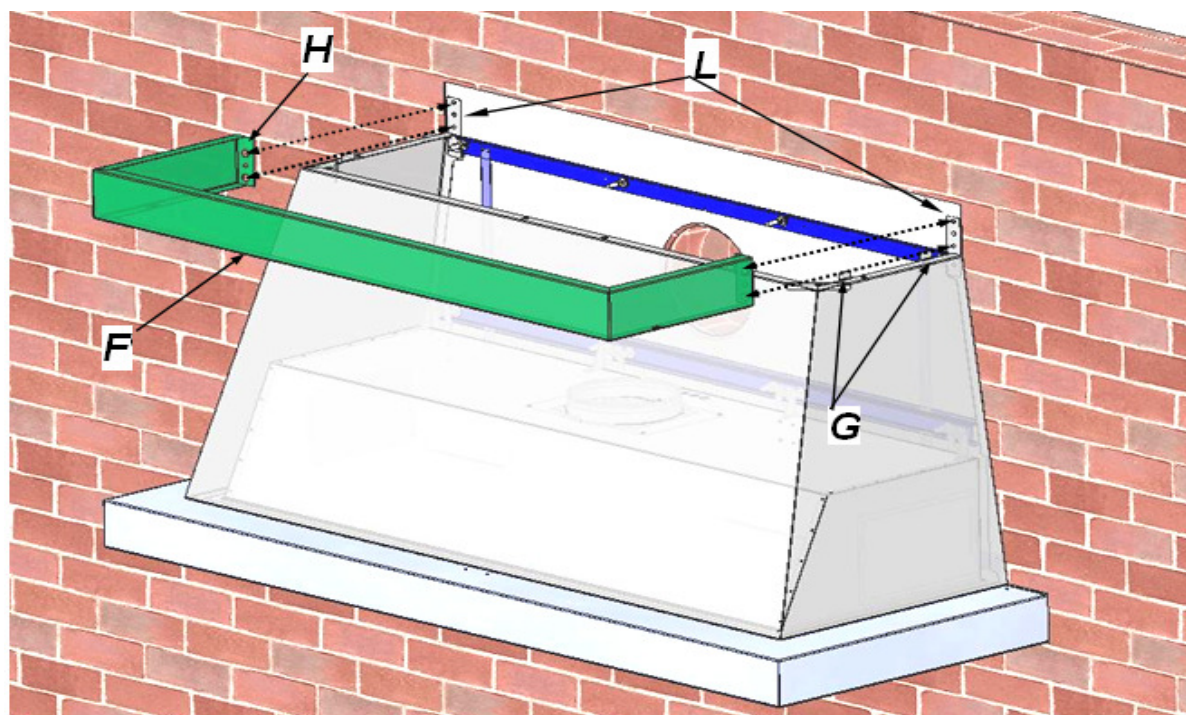
ASSEMBLY INSTRUCTIONS

Please note: If the hood is ordered without a ferrule, before fixing the mantel in place, you must remove the lugs (L) that are designed for fixing the ferrule in place and pull down the guiding lugs (M).



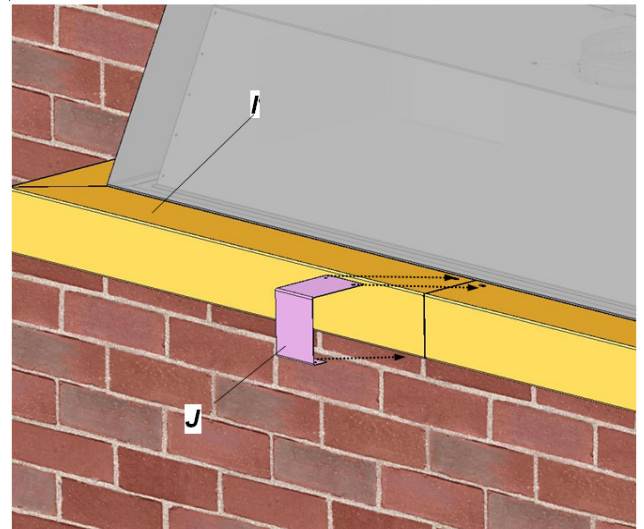
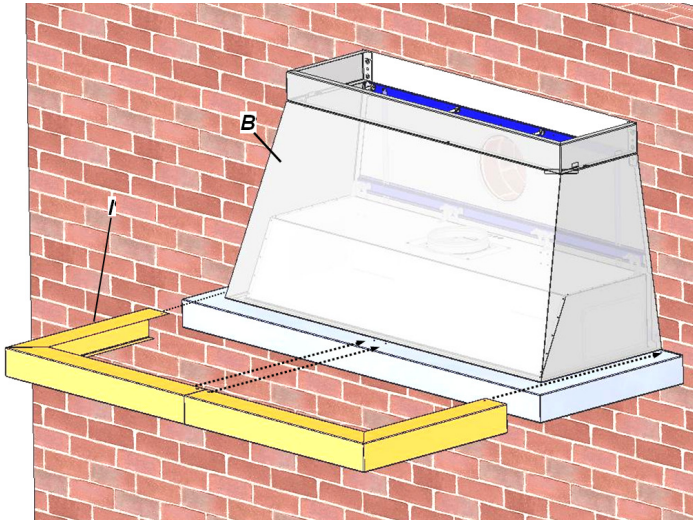
9. Position the hood ferrule (F) in place by sliding it in parallel above The Hood mantel. The two clips on the rear lugs (L) must be inserted into the holes (H) on the ferrule. The screws (G) on the left and right of the hood must simultaneously enter the holes provided for that purpose in the ferrule. By pushing the ferrule backwards strongly, these screws ensure that the ferrule is well positioned and sufficiently stable*.

*Do not pay attention to Paragraph 9 if the hood is ordered without a ferrule.



ASSEMBLY INSTRUCTIONS

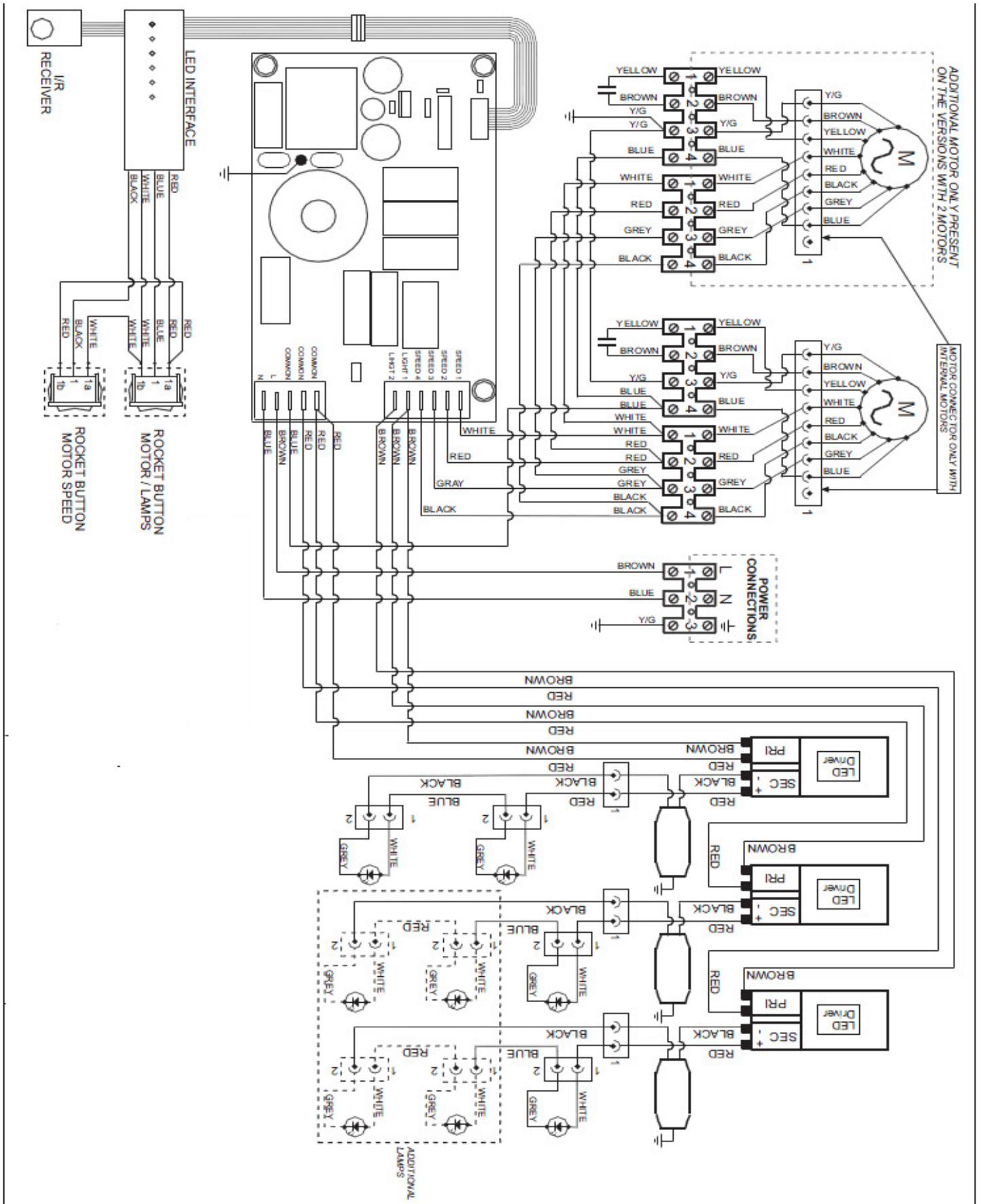
- 10.** Position the listels (**I**) on the hood body and fix them in place on the left and right with a M3 screw. Fix the connecting pierce in place (**J**).



- 11.** Fix the 5-star plate to the listel connecting piece (**J**) with 3 M3 screws.
- 12.** Position the filters in place and perform an operating test.

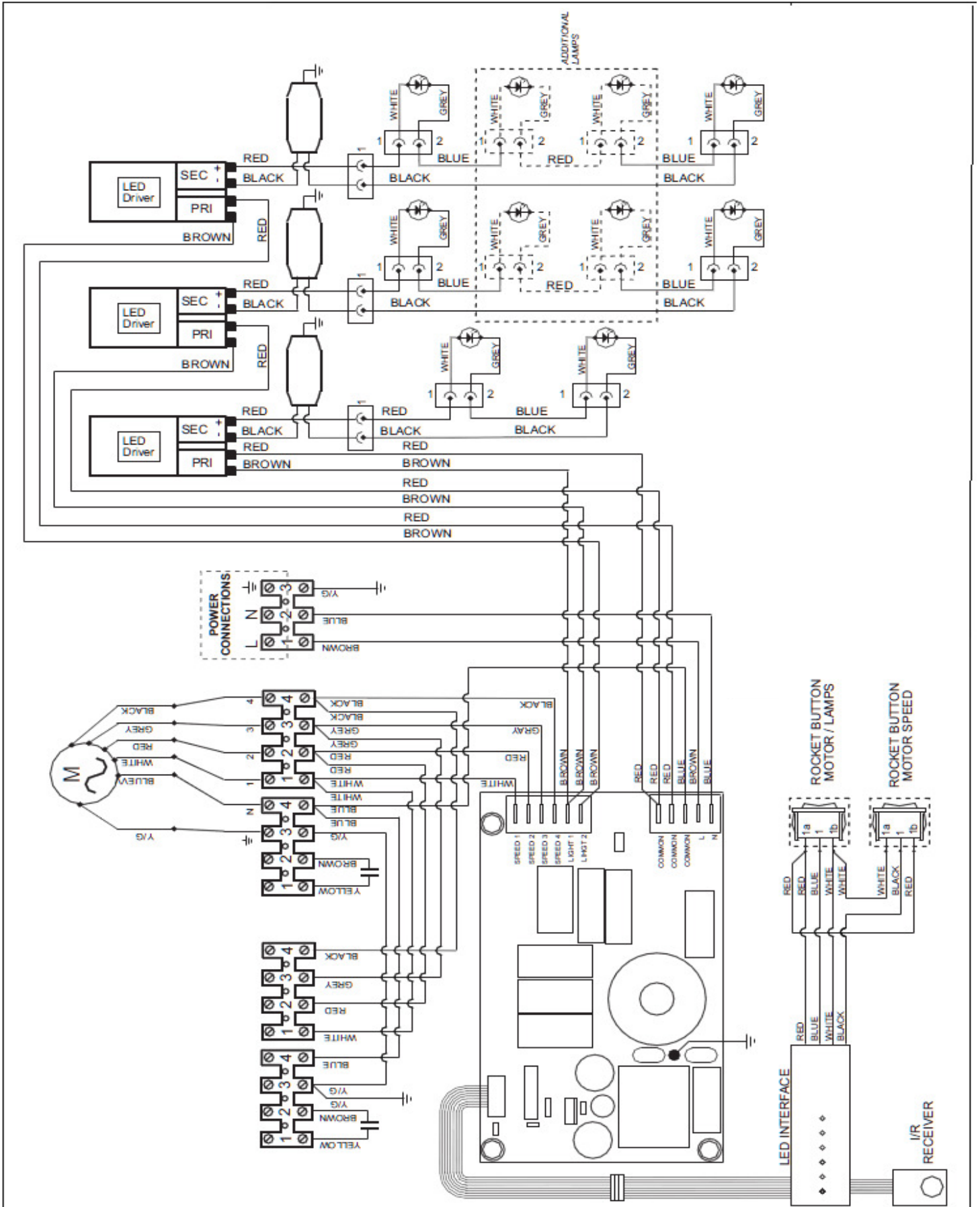
ELECTRICAL DIAGRAM

Hood with internal Motor



ELECTRICAL DIAGRAM

Hood with external Motor



WARRANTY (3 YEARS)

La Comue company warrants to the original user for a period of three years from date of delivery not to exceed 42 months from date of shipment by Company that the product(s) manufactured by Company are free from defects in material and workmanship.

Company shall have no obligation for any product which has been misapplied, mishandled, abused, misused or subjected to harsh chemical action, or improperly installed nor to any product modified by unqualified service personnel or damaged by flood, fire or other acts of God or which has the serial number removed or altered. Adjustments such as calibrations, leveling, tightening of fasteners or utility connections normally associated with original installation are the responsibility of the dealer or installer and not that of Company.

Warranty does not cover freight charges for new or defective parts.

The liability of Company for breach of such warranty is exclusively limited to, at Company option, the replacement or repair of any part found by Company to be not as Warranted herein and, in such event replacement or repair shall be made within 36 months from the date of installation. The Company shall bear the normal labor charges in effecting such replacement or repair, to the extent that performance is effected, within 50 miles from an office of a qualified

service agency of Company except that such obligation to bear labor charges shall not apply to products or parts installed outside the United States and Canada. Replacement part(s) must be supplied by La Cornue direct or through its dealer or qualified service agency and the defective part(s) returned to same intact.

This states the exclusive remedy against Company relating to the product(s), whether in contract or in tort or under any other legal theory, and whether arising out of warranties, representations, instructions, installation or defects from any cause.

Company shall not be liable, whether in contract or in tort or under any other legal theory, for loss of use, revenue or profit, or for substitute use or performance, or incidental, indirect, or special or consequential damages, or for any other loss or cost of similar type.

This warranty and the liability set forth herein are exclusive and in lieu of all other liabilities and warranties, express or implied, including but not limited to implied warranties of merchantability and fitness for particular purpose and constitutes the only warranty of Company with the respect to product(s).

IMPORTANT INFORMATION:

When requesting information, manuals, replacement parts or service, always refer to the model and serial number of your unit.

For your convenience space is provided below to record this information for future reference.

SERIAL No _____

MODEL No _____

DEALER _____

INSTALLATION DATE _____

FRANCE

**Ateliers La Cornue**

14, rue du Bois du Pont - Z.I. les Béthunes
95310 Saint-Ouen l'Aumône - FRANCE

Phone: + 33 (0)1 34 48 36 36 - Fax: + 33 (0)1 34 64 32 65

Postal address:

La Cornue SAS - B.P. 99006
95070 Cergy Pontoise Cedex - FRANCE

www.lacornue.com

e-mail: a.table@la-cornue.com

USA



PURCELL MURRAY

185 Park Lane, Brisbane, CA 94005 - USA

Phone: 800-457-1356 or 415-468-6620, Fax: 415-358-4377

After-sales Service:

SERVICE *power*
FIELD SERVICE SOLUTIONS

of 7:00 a.m. and 4:00 p.m. Pacific Time,
Monday through Friday, excluding national Holidays
by calling 877-LACORNUE

CANADA

AGA MARVEL

SOFA Galleries, 6900 Airport Road,
Suite 205, Mississauga, ONT L4V 1E8, Canada
T: 855-213-2785 F: 905-678-4854

You can find these instructions on following web sites:

USA

www.lacornueusa.com

Canada

www.lacornue.com/ca

LA CORNUE

Ateliers La Cornue

14, rue du Bois du Pont - Z.I. les Béthunes - 95310 Saint-Ouen-l'Aumône
FRANCE

Postal address / Adresse postale:

La Cornue SAS - B.P. 99006 - 95070 Cergy-Pontoise Cedex - FRANCE

Phone / Tél.: +33 (0)1 34 48 36 36 – Fax: +33 (0)1 34 64 32 65

E-mail: a.table@la-cornue.com

www.lacornue.com

