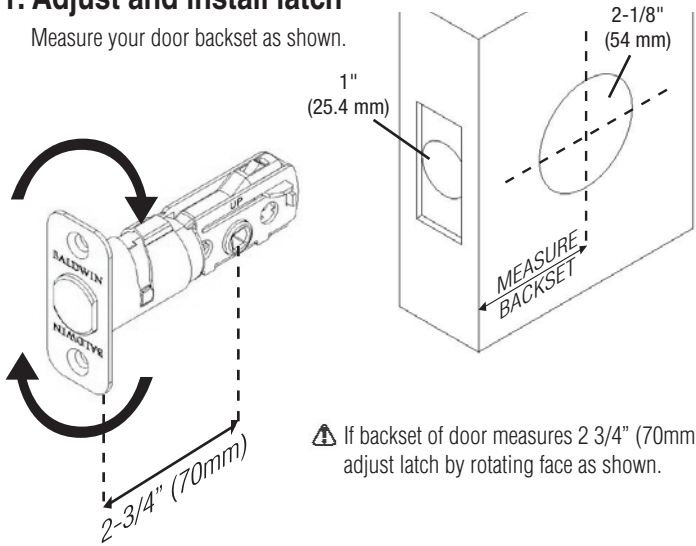


Double Cylinder Deadbolt Installation Instructions

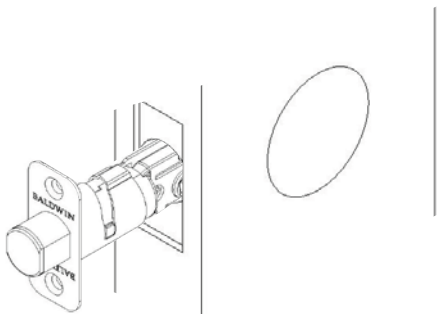
www.baldwinhardware.com

1. Adjust and install latch

Measure your door backset as shown.

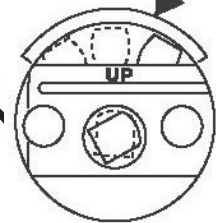


⚠ If backset of door measures 2 3/4" (70mm), adjust latch by rotating face as shown.

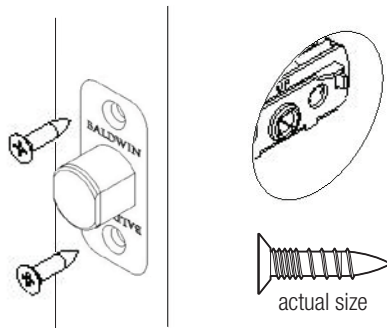


Note, for a 1-1/2" (38mm) diameter hole, test if latch extends and retracts. Chisel out area if required.

Ensure the latch is inserted with the word "up" on top.

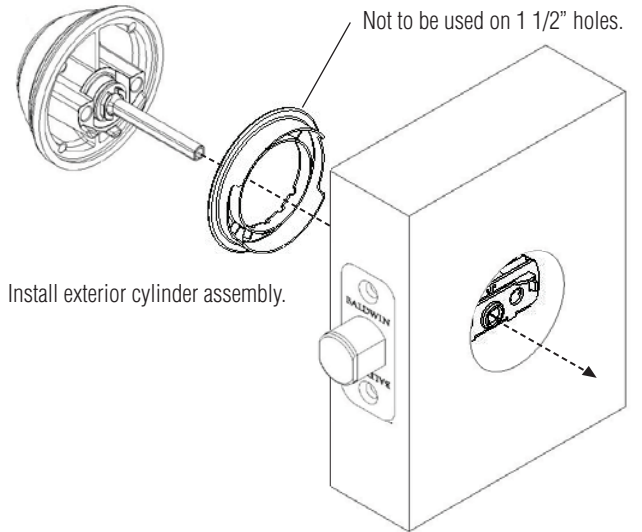


Install latch with 11/16" screws.



2. Install trim

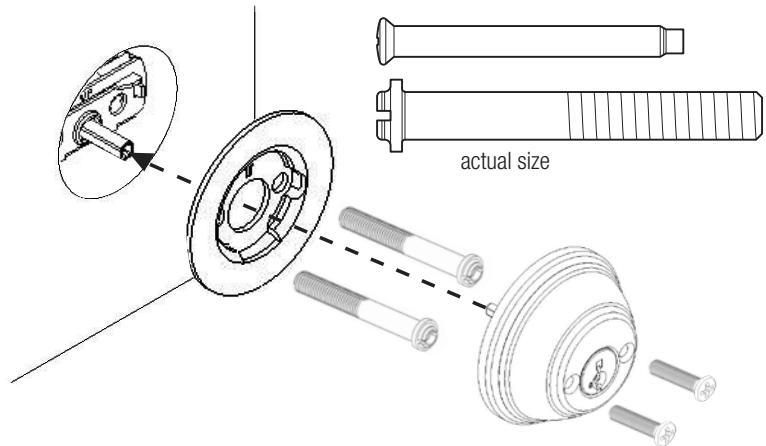
EXTERIOR



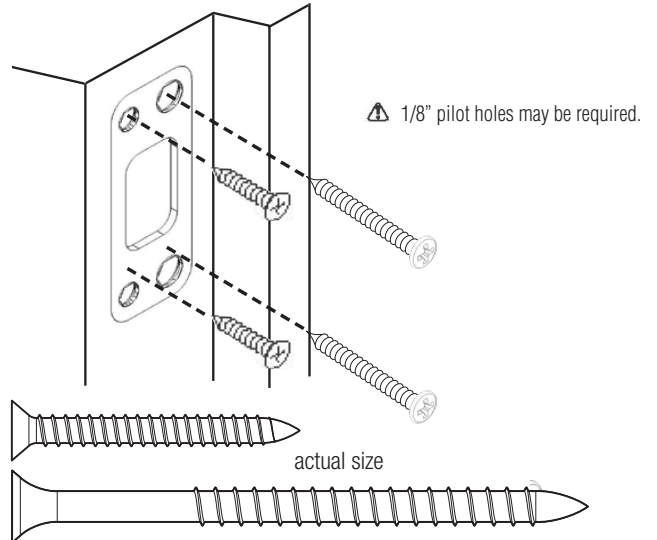
Install exterior cylinder assembly.

INTERIOR

Install interior cylinder assembly.

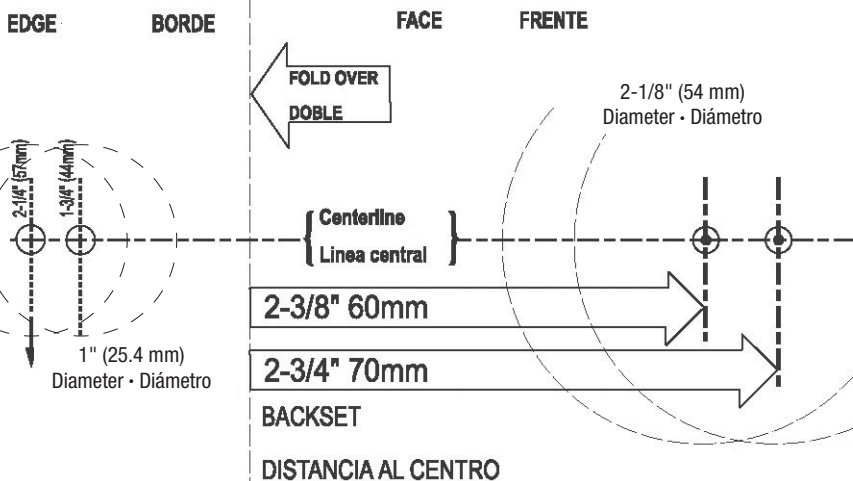


3. Install strike



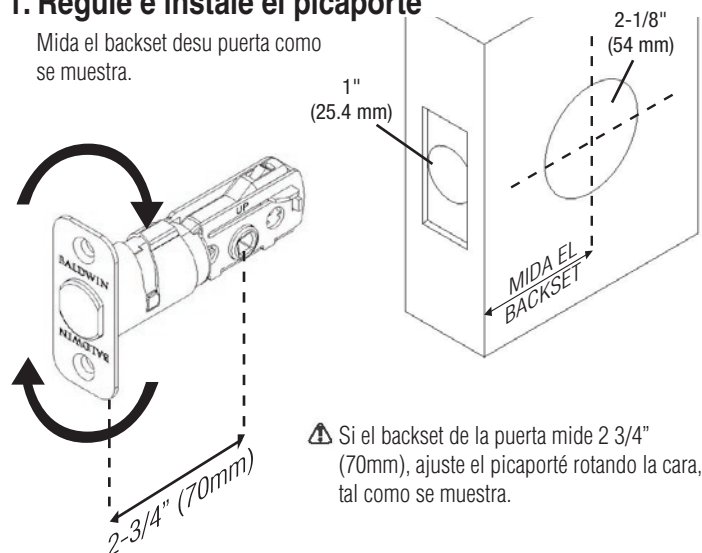
TEMPLATE

PLANTILLA

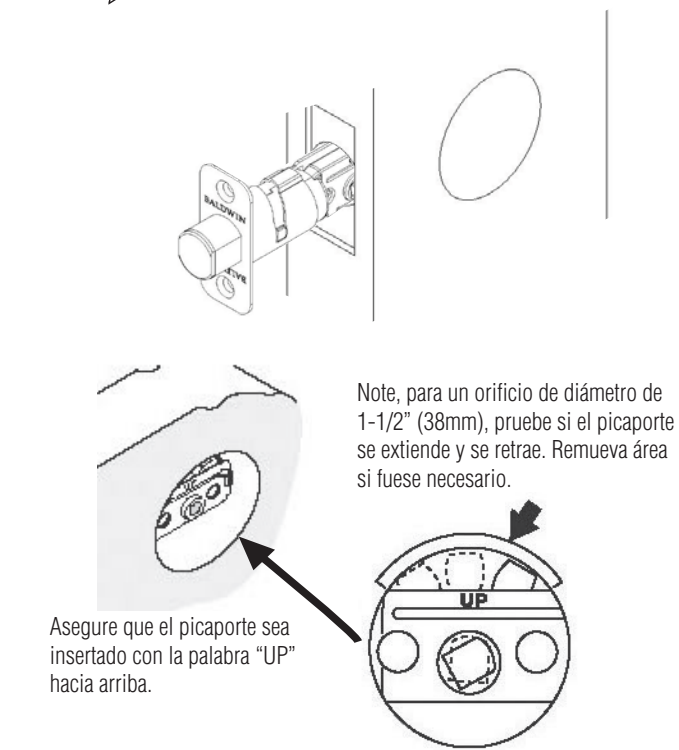


1. Regule e instale el picaporte

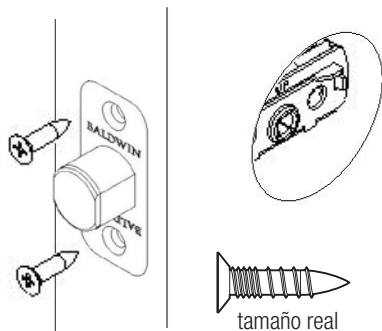
Mida el backset de su puerta como se muestra.



⚠ Si el backset de la puerta mide 2 3/4" (70mm), ajuste el picaporte rotando la cara, tal como se muestra.

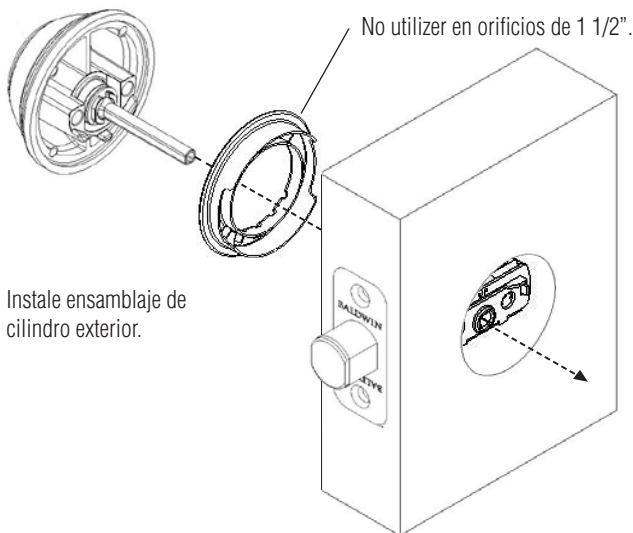


Instale el recibidor con tornillos de 11/16".



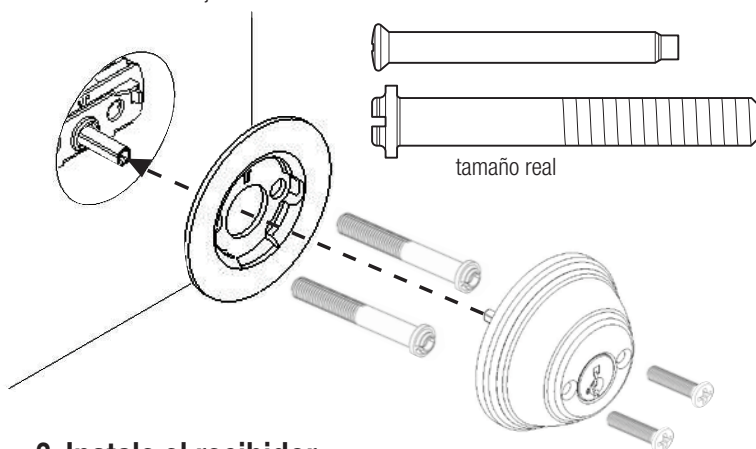
2. Instale el Trim

EXTERIOR

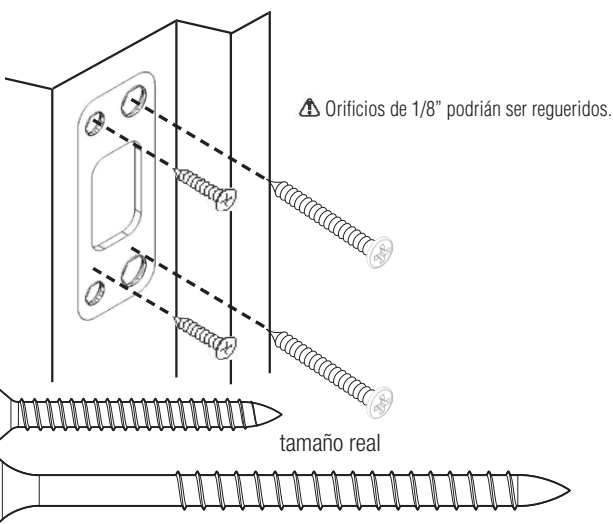


INTERIOR

Instale ensamblaje de cilindro interior.



3. Instale el recibidor



TEMPLATE

PLANTILLA

