

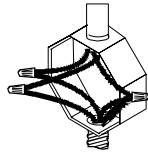
Installation Instructions

Electric Cooktop Important—Save for local electrical inspector's use.

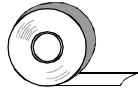
Keep instructions for future reference. Be sure manual stays with cooktop.
 Read entire instruction and Owner's Manual before beginning installation.
 Cooktop may be installed over Amana wall ovens AOES3030 and AOCS3040.

You'll Need a Few Tools Before You Begin

Junction Box
(3-wire or 4-wire)



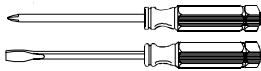
Electrical Tape



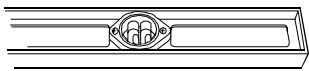
Nut Driver
or Sockets



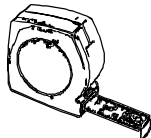
Screw
Drivers



Level



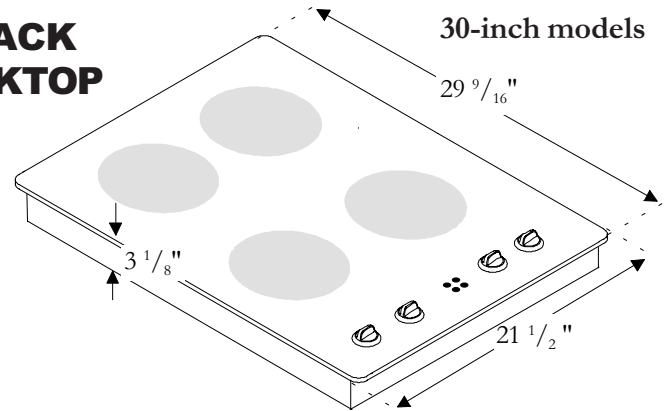
Tape Measure



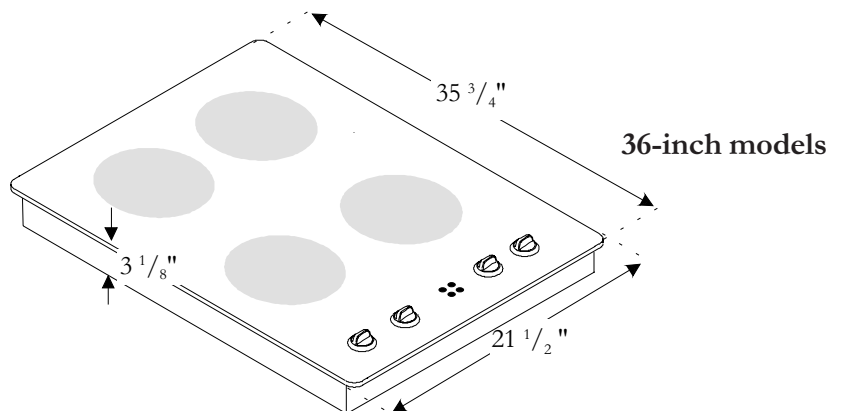
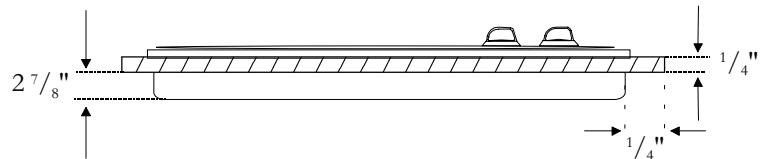
Drill and DrillBits
as needed



1 UNPACK COOKTOP



- Remove all packing and printed material packed with the cooktop.
- Slide the cooktop out of the box.
- To avoid any damage, do not slide the cooktop across a countertop.

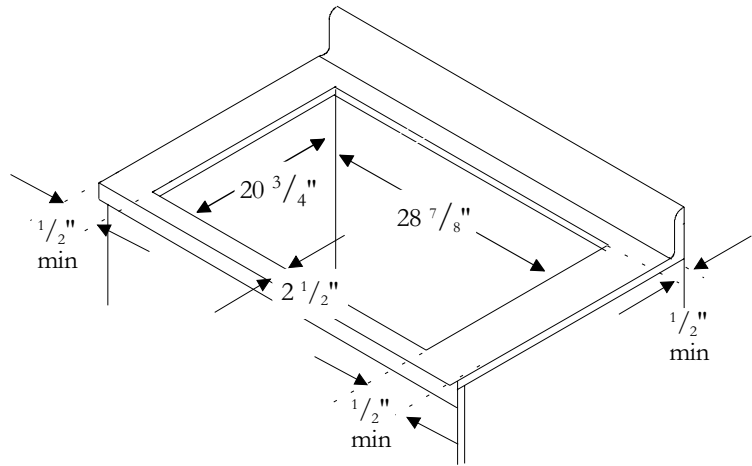


2 PREPARE CUTOUT

Read through all instructions and review both *Minimum Clearances to Combustible Surfaces* section for final cooktop clearances.

Cutout dimensions are calculated to meet minimum clearance requirements specified for *Minimum Clearances to Combustible Surfaces*. **The $\frac{1}{2}$ -inch differences between Minimum Clearances and the cutout are used by the frame edge of the cooktop.**

30-inch models



Successful installation

In order to successfully install the AKT or AKH series cooktops:

1. Read all instructions thoroughly before beginning installation project.
2. Prepare cutout according to cutout dimensions provided.
3. Follow all safety guidelines provided.
4. Obey all local codes and ordinances for electrical connections and power supply.
5. Contact Amana with any questions, concerns or comments about the installation.

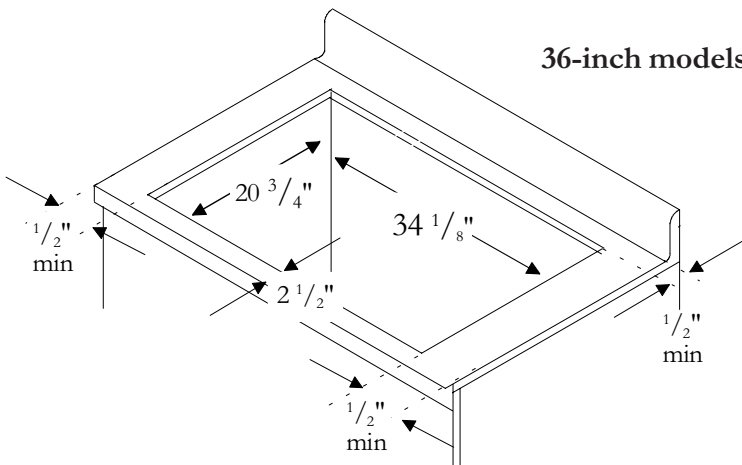
Placing Cooktop on Countertop

Cooktop can be installed with glasstop resting on the countertop or with the glasstop recessed into the countertop.

If a recessed installation is desired, a countertop inlay kit can be purchased from an Amana dealer. **The following instructions are to install the cooktop with the glasstop resting on the countertop.**

Cooktop is not secured to countertop—its weight keeps it in place.

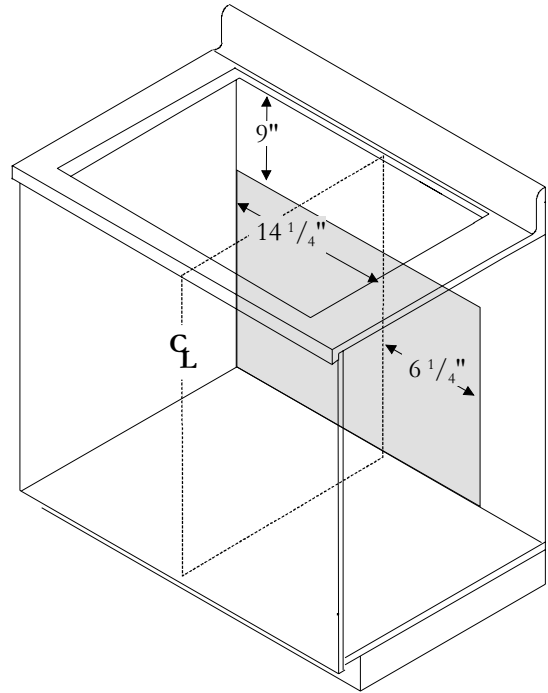
36-inch models



3 CONNECT POWER SUPPLY

Wire Connections

Cooktop has approximately 36 inches of flexible wire conduit attached to bottom of cooktop. Approximately 6 inches of green or bare ground wire and 3 insulated wires: black, red and white, extend beyond end of conduit. Conduit lies directly below controls. If the cooktop is installed with the controls on the left side, the conduit will be on the bottom left. If the cooktop is installed with the controls on the right, the conduit will be on the bottom right. Connect wire leads extending from conduit to house wires inside junction box. Refer to local codes and attach according to options. AKT models do not have a white (neutral) wire.



Junction Box Location

For junction box location when installing over a wall oven, see *Installing Over a Wall Oven* section. Power supply enters cooktop in bottom of unit. Junction box must be located within 30 inches of power supply entry point. Locate junction box within shaded area. Junction box is not included with cooktop.

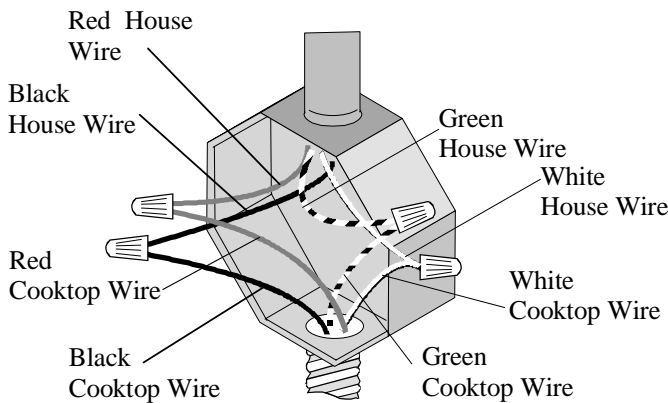
4-WIRE INSTALLATION

Unit wire	House wire
120 VAC (red)	120 VAC (red)
120 VAC (black)	120 VAC (black)
Neutral (white)	Neutral (white)
Ground (green/bare)	Ground (green)

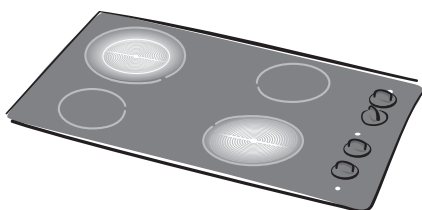
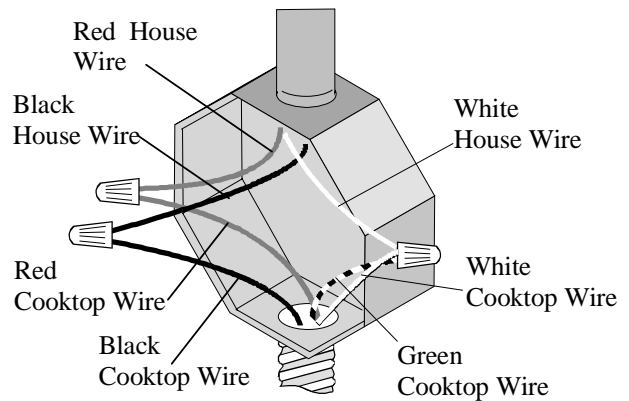
3-WIRE INSTALLATION

Unit wire	House wire
120 VAC (red)	120 VAC (red)
120 VAC (black)	120 VAC (black)
Neutral (white)	Neutral (white)
Ground (green/bare)	Neutral (white)

4-wire Electrical Installation United States or Canada



3-Wire Electrical Installation United States Only



Cooktop Removal and Reinstallation

Specialty countertops and installations may make service, removal and reinstallation difficult.

1. Turn off circuit breaker or electrical supply.
2. Disconnect cooktop wires from house wires. See *Connect Power Supply*.
3. Lift cooktop out of cutout.
4. Reverse procedure to reinstall cooktop.

IMPORTANT SAFETY INFORMATION

WARNING

To eliminate the risk of burns or fire by reaching over heated surface elements, cabinet storage space located above the surface elements should be avoided. If cabinet storage is to be provided, the risk can be reduced by installing a range hood that projects horizontally a minimum of 5 inches beyond the bottom of the cabinets.

CAUTION

Do not store items of interest to children in cabinets above the cooktop or behind the cooktop. Children climbing on cooktop to reach items could be seriously injured.

WARNING

To avoid risk of electrical shock, personal injury, or death:

- disconnect cooktop from main power supply before servicing.
- make sure cooktop has been properly grounded.
- if connecting copper leads to aluminum house wiring, use only connectors designed for joining copper to aluminum. Follow connector manufacturer's recommendations closely.
- do not ground through neutral wire if installed in mobile home or if local codes do not permit grounding through neutral wire.

Minimum Clearances to Combustible Surfaces

Underwriter's Laboratories, Inc. specifies this cooktop can be installed as specified in the following diagram. **The dimensions provided are to be measured from the cooktop itself**, and not the installation cutout for the cooktop.

A—30 inches minimum clearance between the top of the cooking surface and the bottom of an unprotected wood or metal cabinet.

OR

A—24 inches minimum clearance when bottom of wood or metal cabinet is protected by not less than 1/4-inch thick flame retardant millboard covered with not less than No.28 MSG sheet steel, 0.015 inch thick stainless steel, 0.024-inch thick aluminum, or 0.020 inch thick copper.

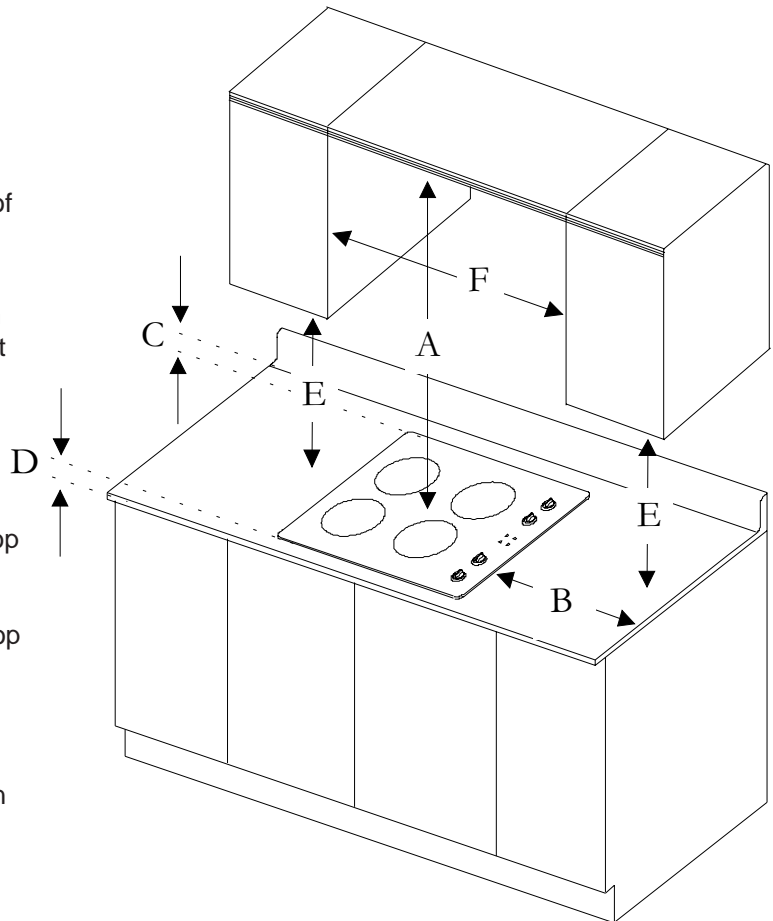
B—0 inches minimum distance between cooktop and wall, cabinet taller than 36 inches or a walkway.

C—0 inches minimum distance between cooktop and back wall or backguard.

D—2 1/2 inches minimum distance between cooktop and edge of countertop.

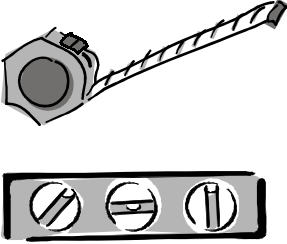
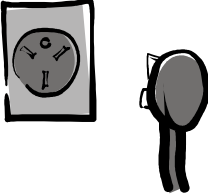
E—Minimum of 18 inches (on each side) between top of countertop and bottom of an unprotected wood or metal cabinet.

F—Minimum of 30 inches (30-inch cooktop) length for protected cabinets above the cooktop OR minimum of 36 inches for 36-inch cooktops (refer to letter A).



SAVE THESE INSTRUCTIONS



Consider	Description
<p>Location</p> 	<p>To eliminate the risk of burns or fire by reaching over heated surface elements, cabinet storage space located above the surface elements should be avoided. If cabinet storage is to be provided, the risk can be reduced by installing a range hood that projects horizontally a minimum of 5 inches beyond the bottom of the cabinets.</p> <p>Use dimensions shown in this manual to determine space needed for installation.</p> <p>Cooktop must not be installed or stored in an area where it will be exposed to water and/or weather.</p> <p>Specialty Countertop Materials</p> <p>Refer to product information for instructions on handling specialty countertop materials such as tile or ceramic. Countertop must be level for proper cooktop installation.</p>
<p>Electrical Requirements</p> 	<p>Electrical Supply</p> <p>Cooktop needs a 3 or 4 wire 240 Volt AC, 60 Hertz circuit protected by a separate 30 amp circuit breaker or time delay fuse. Wiring system and grounding must conform to the latest edition of the National Electric Code, ANSI/NFPA 70, or the Canadian Electrical Code, CSA C22.1. Installation must conform to all local, municipal and state building codes, and local utility regulations. Connect cooktop to power supply with MAXIMUM RATED VOLTAGE listed on the rating plate. Line voltage must not exceed rated voltage.</p> <p>Copper Wire</p> <p>Conduit is approved for copper wire connection only. If aluminum house wiring is to be connected, use connectors designed for joining copper to aluminum and follow the manufacturer's recommended procedure closely. The following procedure is suggested for splicing copper to aluminum wiring:</p> <p style="padding-left: 40px;">Splice copper wires to aluminum wiring using connectors that are certified by Underwriter's Laboratories and recognized for joining copper to aluminum. Follow the connector manufacturer's recommended procedure.</p> <p style="padding-left: 40px;">Wire used, location and enclosure of splices must conform to local codes.</p> <p>Junction Box</p> <p>Junction box is not supplied with cooktop. Junction box must be U.L. or C.S.A. listed and meet NEC and Mobile Home Manufacturers Association Standards.</p> <ul style="list-style-type: none"> • Three-conductor junction box allowed for residential in U.S. • Four-conductor junction box required in Canada and for most mobile home installations but can be used for residential. • Refer to local, municipal and state building codes. <p>NOTE: A power cord must not be used.</p>

**Questions? See *Owner's Manual* or
call Amana Consumer Affairs at 1-800-843-0304**

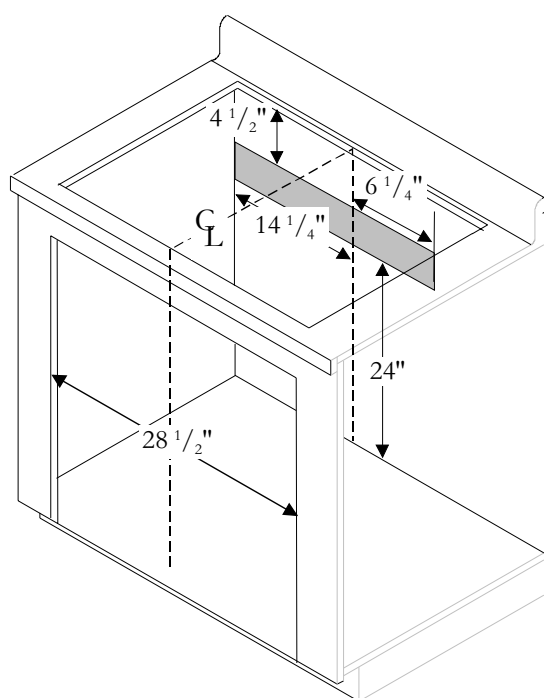
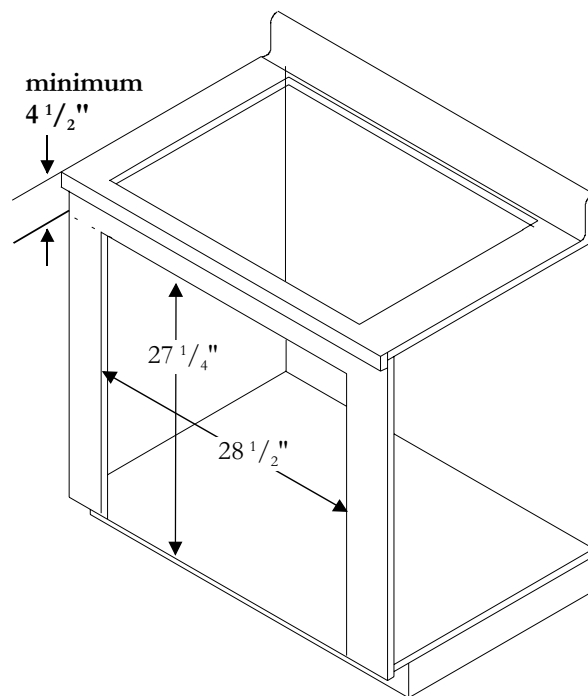
Installing over a wall oven

Cooktops may be installed over the Amana AOES3030 and the Amana AOCS3040 wall ovens only. **The following instructions are not for a recessed (inlaid) cooktop installation over a wall oven.** To ensure proper installation and safety, these installation instructions must be followed exactly.

- For a recessed or inlaid cooktop installation, use the installation instructions provided in the Amana Cooktop-Inlay Kit.
- All installations specified are for a 36" cabinet height and a 23 1/2" minimum depth.
- Cooktop should be centered over the wall oven using a center line.
- Refer to the wall oven installation instructions for proper wall oven installation, or contact Amana Consumer Affairs for the most current installation instructions.
- Wall oven should lay flat against the bottom of the cabinet.

Cooktop Clearance

To ensure proper clearance, **there must be a minimum of 4 1/2-inches** between the top of the countertop and the top of the wall oven cutout. This measurement must not be taken at the top of the oven or its frame. This clearance is required for proper placement of the cooktop over the wall oven.



Junction Box Location

Junction box location is indicated by the gray shaded area.

- For wall oven wiring instructions, refer to wall oven installation instructions.
- For cooktop wiring instructions, refer to *Connect Power Supply* section of this installation instruction.
- Junction box must be located a minimum of 4 1/2-inches from the top of the countertop.
- Junction box must be located a minimum of 24-inches from the bottom of the wall oven cutout.
- Junction box must be UL or CSA listed.