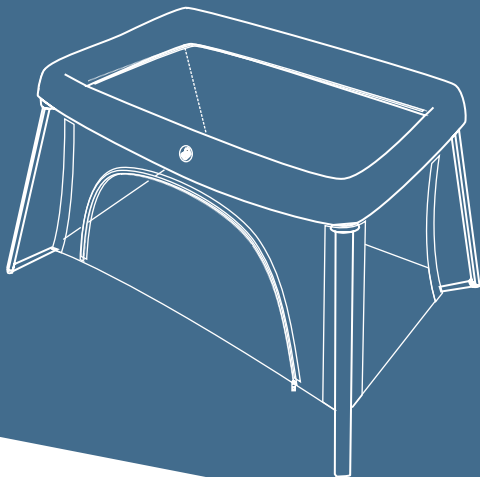




Calao

Play Yard

PY456



MAXI-COSI®

We Carry the Future

4358-8653 02.03.25

Safety Information

Read all instructions **BEFORE** assembly and **USE** of product.

KEEP INSTRUCTIONS FOR FUTURE USE.

- Adult assembly required.

WARNING

Failure to follow these warnings and the instructions could result in serious injury or death.

SUFFOCATION HAZARD:

Babies have suffocated:

- on pillows, comforters, and extra padding
- in gaps between product sides and a wrong-size mattress or extra padding
- **NEVER** add soft bedding, padding, or an extra mattress.
- **ONLY** use the mattress as described in the warnings on this product.
- Prior to use, the product must be fully erected, including side rails.
- Make sure latches are secure.
- Strings can cause strangulation! **NEVER** place items with a string around a child's neck such as hood strings or pacifier cords. **NEVER** suspend strings over play yard or attach strings to toys.
- Discontinue use of the product when child is able to climb out or reaches the height of 35 in. (89 cm).

- Child can become entrapped and die when improvised netting or covers are placed on top of a play yard. **NEVER** add such items to confine child in play yard.
- When child is able to pull to standing position, remove bumper pads, large toys, and other objects that could serve as steps for climbing out.
- **NEVER** place product near a window where cords from blinds or drapes can strangle a child.
- Use **ONLY** mattress/pad provided with this product or contact the manufacturer for a replacement mattress/pad.
- **ALWAYS** provide the supervision necessary for the continued safety of your child. When used for playing, never leave child unattended.
- **ALWAYS** place baby on back to sleep to reduce the risk of SIDS and suffocation.
- **NEVER** use this product if there are any loose or missing fasteners, loose joints, broken parts, or torn mesh/fabric. Check before assembly and periodically during use. Contact Dorel Juvenile Group for replacement parts if needed. Never substitute parts.
- **NEVER** use plastic shipping bags or other plastic film as mattress covers not sold and intended for that purpose. They can cause suffocation.
- **NEVER** use a water mattress with this product.
- **NEVER** leave child in product with side lowered. Be sure side is in raised and locked position whenever child is in product.

Bassinet Use

WARNING

Infant bassinet is for use with child up to 15 lb (6.8 kg).

Failure to follow these warnings and the instructions could result in serious injury or death.

• **SUFFOCATION HAZARD – Babies have suffocated:**

- On pillows, comforters, and extra padding
- In gaps between a wrong-size mattress, or extra padding and product sides
- **NEVER** add soft bedding or padding.
- Use **ONLY** the mattress provided by the manufacturer.
- Always place baby on back to sleep to reduce the risk of SIDS and suffocation.
- If a sheet is used with the pad, use only the one provided by the product manufacturer or one specifically designed to fit the dimension of the bassinet mattress.

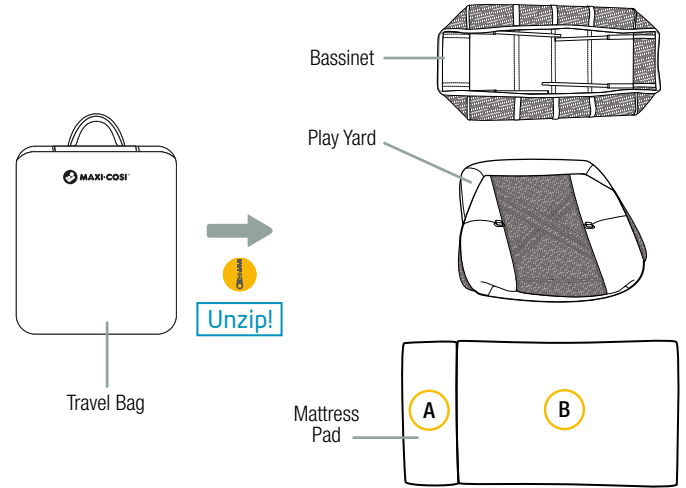
- **FALL HAZARD:** To help prevent falls, **DO NOT** use this bassinet when the infant begins to push up on hands and knees or has reached the manufacturer's recommended weight of 15 lb. (6.8 kg), whichever comes first.
- Bassinet **MUST** be fully assembled and installed, including top rails, fasteners, and bottom pad, before using. Make sure all hook-and-loop straps are tightly secured.
- **STRANGULATION HAZARD:** Children have **STRANGLLED** when their necks became trapped between bassinet accessories and play yard frames.
 - Remove the bassinet anytime child is in the play yard.
- Strings can cause strangulation! **DO NOT** place items with a string around a child's neck such as hood strings or pacifier cords. **DO NOT** suspend strings over a bassinet or cradle or attach strings to toys.
- Use bassinet with **ONLY** one child at a time.
- **DO NOT** use if any part of the bassinet is broken, torn, or missing.
- **NEVER** place child under the bassinet.

Contents

-  Parts of the Play Yard 3
-  Unfolding the Play Yard..... 4
-  Installing the Bassinet 6
-  Installing the Mattress Pad in the Play Yard 10
-  Folding the Play Yard 14
-  Wash and Care 17
- Warranty 19



Parts of the Play Yard



A + **B** = Play Yard Use **B** = Bassinet Use

Your model may look different than the one shown.

WARNING: Remove and discard all packaging materials before use.

Lay out and identify all parts.

Do not return this to the place of purchase. To address any issues, contact Consumer Care via:

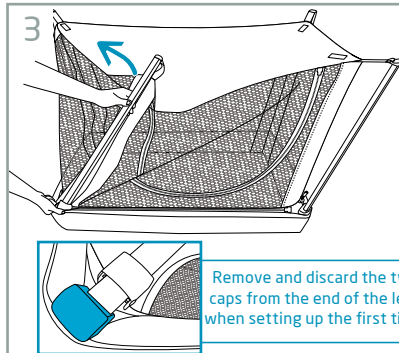
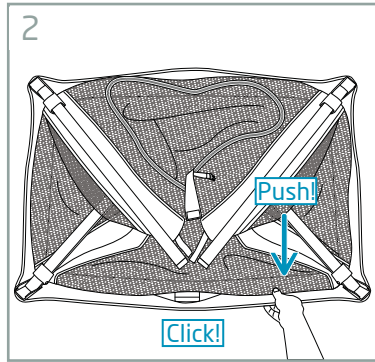
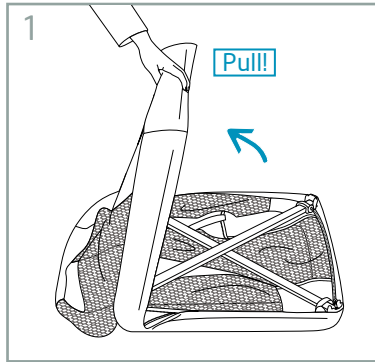
- Phone: 1-800-544-1108
- Text: 1-812-652-2525

- Chat: www.maxicosi.com
- Email: support@djgusa.com

You will need the model number (PY456) and the manufacture date (located underneath the play yard).



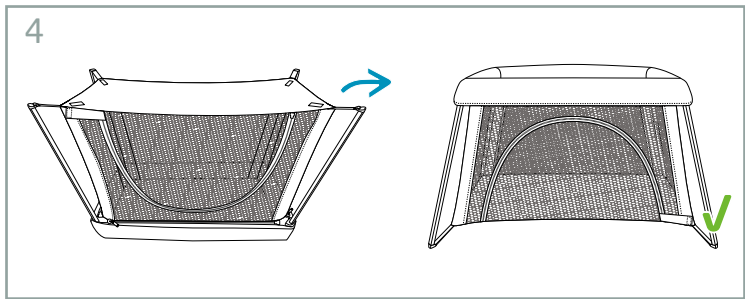
Unfolding the Play Yard



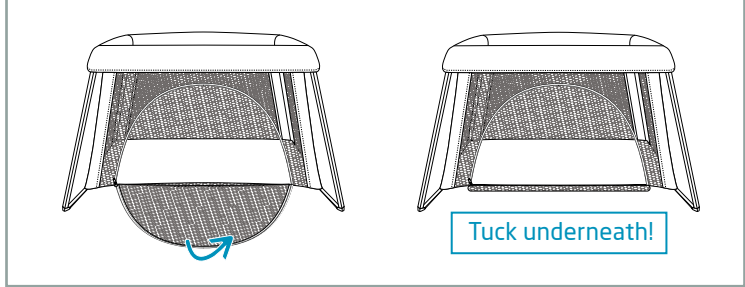
Pull four legs until they click.
Keep fingers clear of the metal knuckles on the top of the legs during assembly to prevent potential pinching.



Remove and discard the two caps from the end of the legs when setting up the first time.



When using the play yard with the front side open, tuck the unzipped panel underneath the play yard. **DO NOT** leave the panel unzipped when the bassinet is installed.





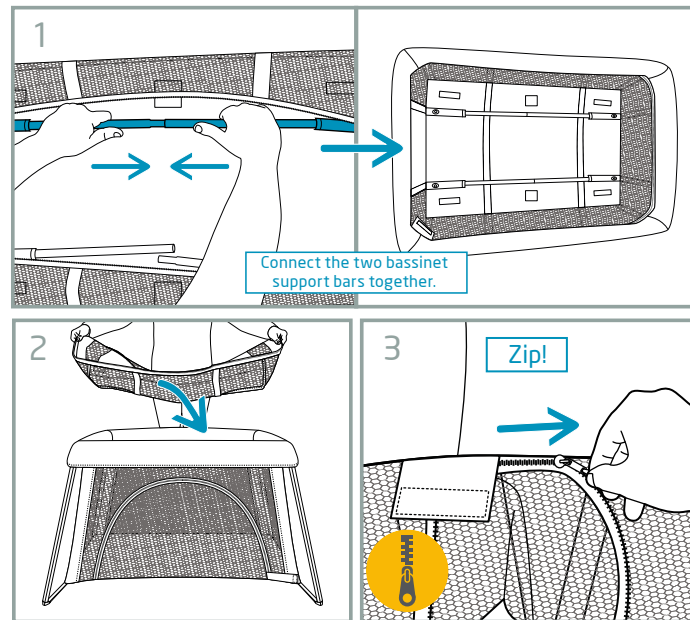
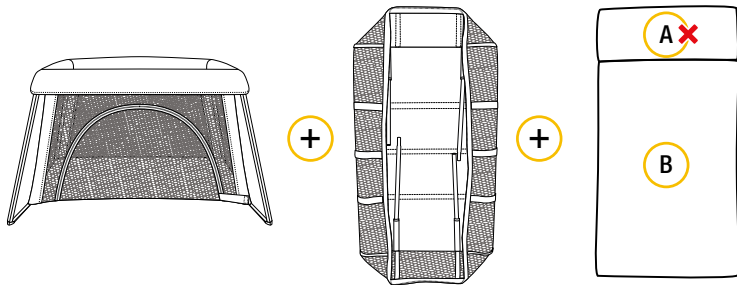
Installing the Bassinet



Up to 15 lb (6.8 kg)



You will need:

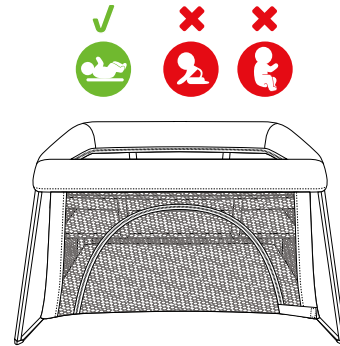
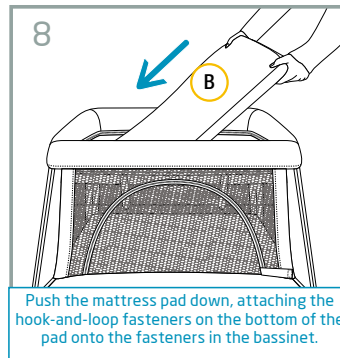
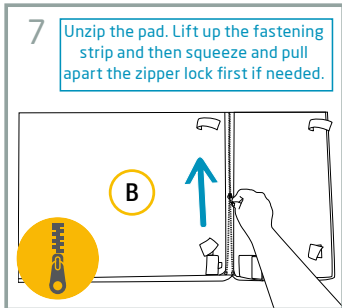
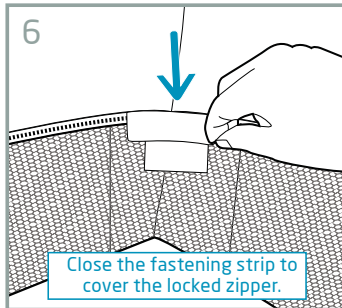
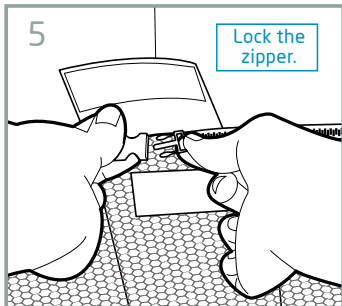
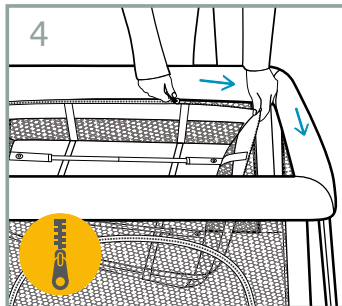



⚠ WARNING

SUFFOCATION HAZARD: USING MATTRESS PAD SECTIONS, SEPARATELY OR TOGETHER FOR ANY REASON OTHER THAN INSTRUCTED, CAN KILL.

Babies can turn over without warning and **CAN SUFFOCATE** in only a few minutes.

- **NEVER** leave the smaller “A” side of the mattress pad in the bassinet while in use. **DO NOT** use as a pillow.
- **DO NOT** use for Tummy Time.
- Use **ONLY** as stated in the instructions.



 Up to 15 lb (6.8 kg)

WARNING

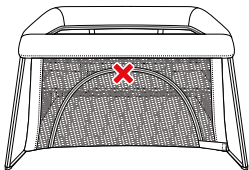
FALL HAZARD: To help prevent falls, **DO NOT** use this bassinet when the infant begins to push up on hands and knees or has reached the manufacturer's recommended weight of 15 lb. (6.8 kg), whichever comes first.



Installing the Mattress Pad in the Play Yard

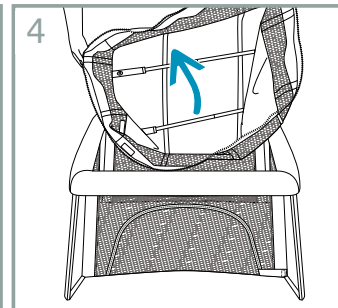
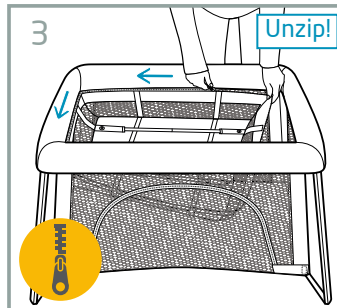
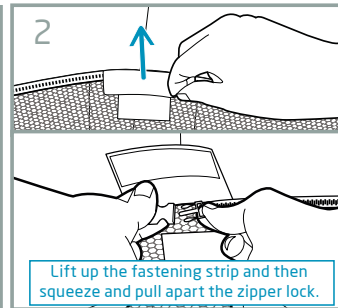
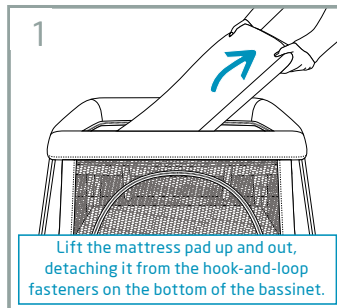
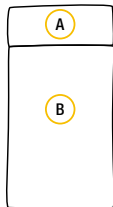
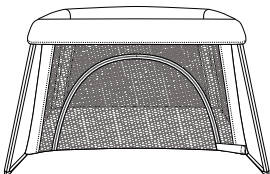


Up to 35 in. (89 cm)



You **MUST** remove the bassinet to use the play yard with older children. Follow steps 1-4 to remove the bassinet. If the bassinet is not installed, go to step 5.

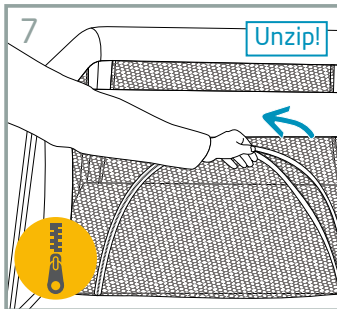
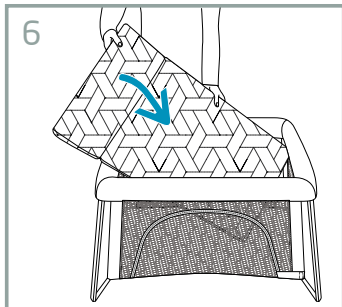
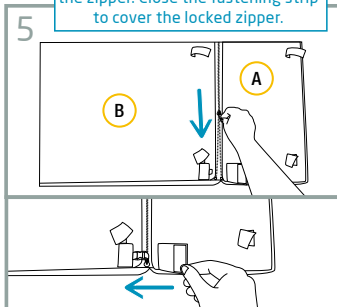
You will need:



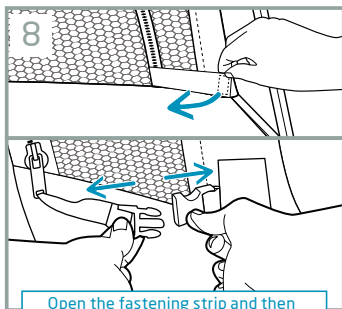
continued on next page



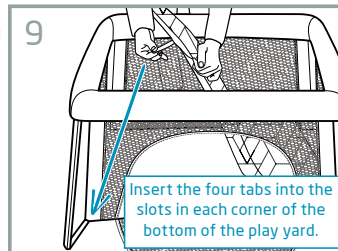
Zip the pad together and then lock the zipper. Close the fastening strip to cover the locked zipper.



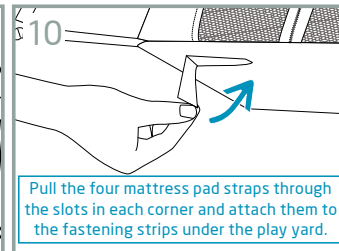
Unzip!



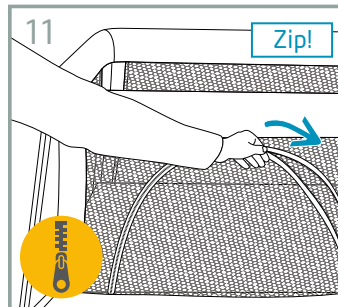
Open the fastening strip and then squeeze and pull apart the zipper lock.



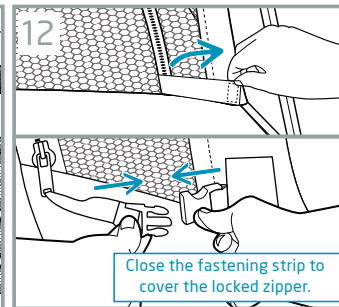
Insert the four tabs into the slots in each corner of the bottom of the play yard.



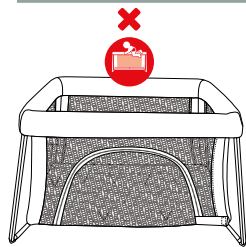
Pull the four mattress pad straps through the slots in each corner and attach them to the fastening strips under the play yard.



Zip!



Close the fastening strip to cover the locked zipper.



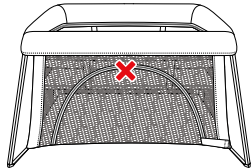
Up to 35 in. (89 cm)

WARNING

Discontinue use of the product when the child is able to climb out or reaches the height of 35 in. (89 cm).



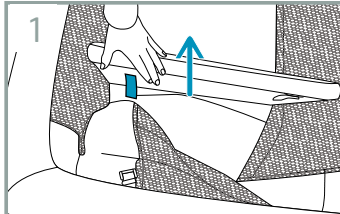
Folding the Play Yard



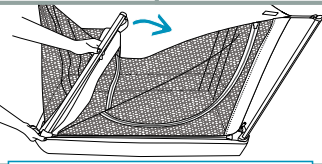
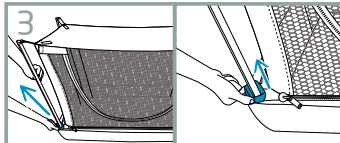
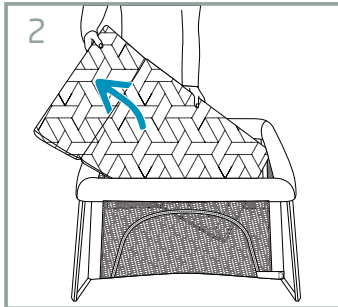
You **MUST** remove the bassinet to fold the play yard.

See steps 1-4 on page 11 to remove the bassinet.

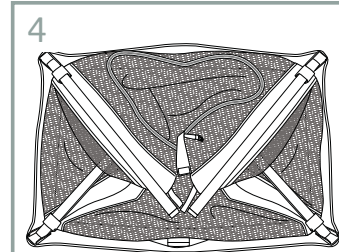
If the bassinet is not installed, continue to step 1 in this section.



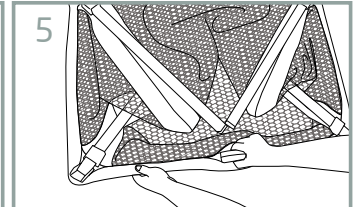
1 Pull apart the four fastening strips under the play yard and lift the mattress pad tabs through the slots in the four corners.



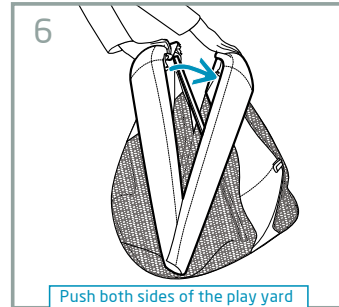
2 Slightly pull each leg outwards and then squeeze the lock at the top of the leg to push the leg down.



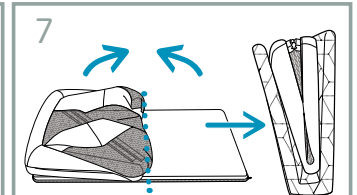
4 Fold the four legs.



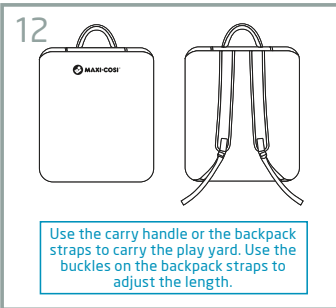
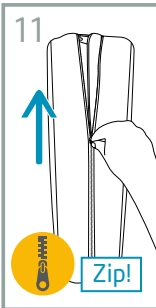
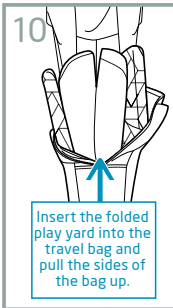
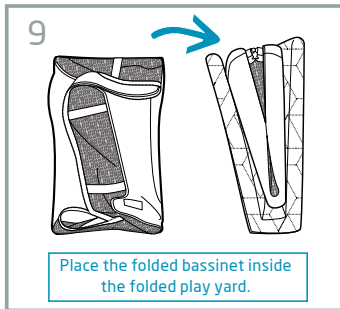
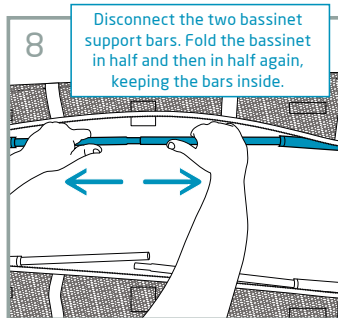
5 Pull apart the fastening strip covering the button in the center of the side rail. Pull up on the rail slightly while pushing in the buttons. Repeat on the other side. Both buttons must be pushed in.



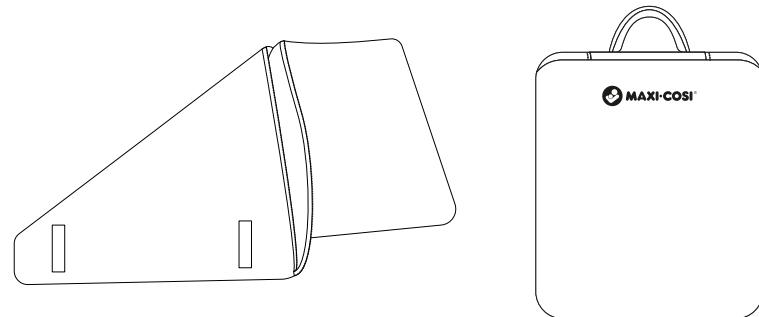
6 Push both sides of the play yard together to fold it in half.



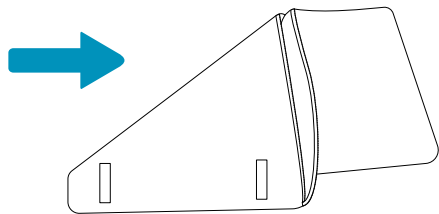
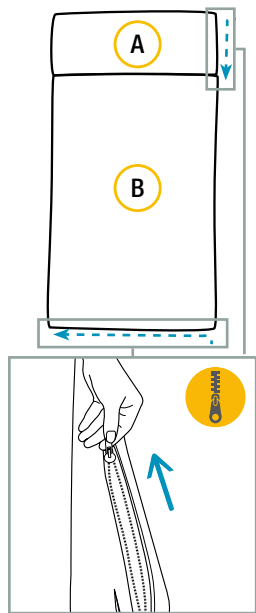
7 Place the play yard on the left half of the mattress pad (zip together both parts of the mattress pad if they are not together first.) Fold the play yard.



Wash and Care



Machine wash the mattress pad cover and travel bag separately with cold water on gentle cycle. **DO NOT** use bleach. Air dry. **DO NOT** iron. **DO NOT** dry clean. Spot clean only all other parts.



To remove the mattress pad cover, unzip the side of parts A and B and pull both covers off.



Two-Year Limited Warranty

Dorel Juvenile Group, Inc. warrants to the original purchaser that this product (Calao Play Yard), is free from material and workmanship defects when used under normal conditions for a period of two (2) years from the date of purchase. Should the product contain defects in material or workmanship, Dorel Juvenile Group, Inc. will repair or replace the product, at our option, free of charge.

Purchaser will be responsible for all costs associated with packaging and shipping the product to Dorel Juvenile Group Consumer Care Department at the address noted on the back of this document and all other freight or insurance costs associated with the return. Dorel Juvenile Group will bear the cost of shipping the repaired or replaced product to the purchaser.

Product should be returned in its original package accompanied by a proof of purchase, either a sales receipt or other proof that the product is within the warranty period. This warranty is void if the owner repairs or modifies the product or the product has been damaged as a result of misuse. This warranty excludes any liability other than that expressly stated previously, including but not limited to, any incidental or consequential damages.

SOME STATES DO NOT ALLOW THE EXCLUSION OR LIMITATION OF INCIDENTAL OR CONSEQUENTIAL DAMAGES, SO THE ABOVE LIMITATION OR EXCLUSION MAY NOT APPLY TO YOU. THIS WARRANTY GIVES YOU SPECIFIC LEGAL RIGHTS, AND YOU MAY ALSO HAVE OTHER RIGHTS THAT MAY VARY FROM STATE TO STATE.

Contact

Send Us a Text: 1-812-652-2525 (US and Canada Only. Carrier Fees May Apply)

Find Us Online: www.maxicosi.com

Email Us: support@djgusa.com

Give Us a Call: 1-800-951-4113 (Toll Free, US and Canada Only)

Consumer Care Department

8 a.m. to 6:00 p.m. EST Monday–Thursday

8 a.m. to 4:30 p.m. EST Friday

©2025 Dorel Juvenile Group, Inc. (800) 951-4113 www.maxi-cosi.com. Styles, colors, and labeling may vary. Les styles, les couleurs et l'étiquetage peuvent varier. Made in CHINA. Fabriqué en CHINE. Distributed by (distribué par) Dorel Juvenile Group, Inc., 2525 State St., Columbus, IN 47201-7494. Dorel Juvenile Canada, 2233 Argentia Road, Suite 110, Mississauga, ON L5N 2X7. Representante exclusivo en Chile: DOREL JUVENILE CHILE S.A. Av. del Parque 4161, oficina 602 A, Huechuraba, Santiago, Chile - Fono: 56 2 24971500 - www.infanti.cl - www.dorel.cl. Importado y distribuido en Perú por: COMEXA COMERCIALIZADORA EXTRANJERA S.A. SUCURSAL DEL PERÚ - Los Libertadores 455, San Isidro, Lima 27, Lima, Perú RUC 20431062870 - Fono: 4413029 - www.infanti.com.pe. En Centro América, Caribe y Ecuador por: Best Brands Group S.A. - Av. Balboa, Bay Mall Plaza, Planta Baja, local 9, Panamá. - Fono: (507) 300 2884. En Colombia por: Baby Universe S.A.S. - Vía 40 No. 77-29, Barranquilla, Colombia - Fono: (575) 353 1110. Importador: DJGM, S.A. DE C.V. Gabriel Mancera No. 1041 Col. Del Valle, Benito Juárez C.P. 03100 México, Ciudad de México R.F.C. DJG140305GN9 Tel. (55) 67199202

02/25

