

Use & Care Guide  
Manual de Uso y Cuidado  
English / Español

Models/Modelos: 795.7940\*, 795.7943\*

# Kenmore®

## Top Mount Refrigerator

## Congelador Superior Refrigerador

\* = color number, número de color

P/N MFL67527901  
Sears Brands Management Corporation  
Hoffman Estates, IL 60179 U.S.A.  
[www.kenmore.com](http://www.kenmore.com)  
[www.sears.com](http://www.sears.com)



## TABLE OF CONTENTS

<b>Warranty</b> .....	3	<b>Water Filter</b> .....	25-26
<b>Protection Agreements</b> .....	4	<b>Care and Cleaning</b> .....	27-28
<b>Important Safety Instructions</b> .....	5-7	<b>Connecting the Water Line</b> .....	29-31
<b>Electrical &amp; Grounding Requirements</b> .....	7	<b>Troubleshooting Guide</b> .....	32-37
<b>Parts and Features</b> .....	8	<b>Service</b> .....	Back Cover
<b>Refrigerator Installation</b> .....	9-19		
Unpacking Your Refrigerator.....	9		
Installation .....	10		
Removing and Replacing the Doors.....	11-12		
Reversing the Doors .....	13-19		
Leveling.....	19		
Door Alignment .....	19		
<b>Using Your Refrigerator</b> .....	20-24		
Setting the Controls .....	20		
Food Storage Guide.....	21		
Water Dispenser.....	22		
Automatic Icemaker .....	22		
Refrigerator Shelves.....	23		
Pantry Drawer.....	23		
Humidity Controlled Crisper.....	24		
Door Bins .....	24		
Dairy Bin.....	24		

# WARRANTY



## REFRIGERATOR WARRANTY

### **Kenmore One Year Limited Warranty**

When installed, operated and maintained according to all supplied instructions, if this appliance fails due to a defect in material and workmanship within one year from the date of purchase, call 1-800-4-MY-HOME® to arrange for free repair.

If this appliance is ever used for other than private family purposes, this warranty applies for only 90 days from the date of purchase.

#### **This warranty covers only defects in material and workmanship. Sears will NOT pay for:**

1. Expendable items that can wear out from normal use, including but not limited to filters, belts, light bulbs, and bags.
2. A service technician to instruct the user in correct product installation, operation or maintenance.
3. A service technician to clean or maintain this product.
4. Damage to or failure of this product if it is not installed, operated or maintained according to the all instructions supplied with the product.
5. Damage to or failure of this product resulting from accident, abuse, misuse or use for other than its intended purpose.
6. Damage to or failure of this product caused by the use of detergents, cleaners, chemicals or utensils other than those recommended in all instructions supplied with the product.
7. Damage to or failure of parts or systems resulting from unauthorized modifications made to this product.

#### **Disclaimer of implied warranties; limitation of remedies**

Customer's sole and exclusive remedy under this limited warranty shall be product repair as provided herein. Implied warranties, including warranties of merchantability or fitness for a particular purpose, are limited to one year or the shortest period allowed by law. Sears shall not be liable for incidental or consequential damages. Some states and provinces do not allow the exclusion or limitation of incidental or consequential damages, or limitation on the duration of implied warranties of merchantability or fitness, so these exclusions or limitations may not apply to you.

This warranty applies only while this appliance is used in the United States.

This warranty gives you specific legal rights, and you may also have other rights which vary from state to state.

**Sears Brands Management Corporation, Hoffman Estates, IL 60179**

# PROTECTION AGREEMENTS

## Master Protection Agreements

Congratulations on making a smart purchase. Your new Kenmore® product is designed and manufactured for years of dependable operation. But like all products, it may require preventive maintenance or repair from time to time. That's when having a Master Protection Agreement can save you money and aggravation.

The Master Protection Agreement also helps extend the life of your new product. Here's what the Agreement\* includes:

- **Parts and labor** needed to help keep products operating properly **under normal use**, not just defects. Our coverage goes **well beyond the product warranty**. No deductibles, no functional failure excluded from coverage— **real protection**.
- **Expert service** by a force of more than **10,000 authorized Sears service technicians**, which means someone you can trust will be working on your product.
- **Unlimited service calls and nationwide service**, as often as you want us, whenever you want us.
- **"No-lemon" guarantee** – replacement of your covered product if four or more product failures occur within twelve months.
- **Product replacement** if your covered product can't be fixed.
- **Annual Preventive Maintenance Check** at your request – no extra charge.
- **Fast help by phone** – we call it **Rapid Resolution** – phone support from a Sears representative on all products. Think of us as a "talking owner's manual."

- **Power surge protection** against electrical damage due to power fluctuations.
- **\$250 Food Loss Protection** annually for any food spoilage that is the result of mechanical failure of any covered refrigerator or freezer.
- **Rental reimbursement** if repair of your covered product takes longer than promised.
- **10% discount** off the regular price of any non-covered repair service and related installed parts.

Once you purchase the Agreement, a simple phone call is all that it takes to schedule service. You can call at any time day or night, or schedule a service appointment online.

The Master Protection Agreement is a risk free purchase. If you cancel for any reason during the product warranty period, we will provide a full refund or a prorated refund anytime after the product warranty period expires. Purchase your Master Protection Agreement today!

**Some limitations and exclusions apply.**

**For prices and additional information in the U.S.A. call 1-800-827-6655.**

**\* Coverage in Canada varies on some items. For full details call Sears Canada at 1-800-361-6665.**

### Sears Installation Service

For Sears professional installation of home appliances, garage door openers, water heaters, and other major home items, in the **U.S.A. or Canada call 1-800-4-MY-HOME®**.

## PRODUCT RECORD

In the space below, record the date of purchase, model and serial number of your product. You will find the model and serial number printed on an identification label located on the interior liner of the refrigerator compartment. Have these items of information available whenever you contact Sears concerning your product.

Model No. \_\_\_\_\_

Date of Purchase \_\_\_\_\_

Serial No. \_\_\_\_\_

Save these instructions and attach your sales receipt for future reference.

# IMPORTANT SAFETY INSTRUCTIONS

## BASIC SAFETY PRECAUTIONS

This guide contains many important safety messages. Always **read and obey** all safety messages.



This is the safety alert symbol. It alerts you to safety messages that inform you of hazards that can kill or hurt you or others, or cause damage to the product.

All safety messages will be preceded by the safety alert symbol and the hazard signal word DANGER, WARNING or CAUTION. These words mean:

### DANGER

You **will** be killed or seriously injured if you do not follow instructions.

### WARNING

You **can** be killed or seriously injured if you do not follow instructions.

### CAUTION

Indicates an imminently hazardous situation which, if not avoided, **may** result in minor or moderate injury, or product damage.

All safety messages will identify the hazard, tell you how to reduce the chance of injury, and tell you what can happen if the instructions are not followed.

## WARNING

**To reduce the risk of fire, electric shock, or personal injury when using your product, basic safety precautions should be followed, including the following.**

**Read all instructions before using this appliance.**

- NEVER unplug your refrigerator by pulling on the power cord. Always grip the plug firmly and pull it straight out from the outlet.
- Immediately repair or replace all power cords that have become frayed or otherwise damaged. Do not use a cord that shows cracks or abrasion damage along its length or at either the plug or connector end.
- Do not modify or extend the power cord length. It could cause electric shock or fire.
- When moving your refrigerator away from the wall, be careful not to roll over or damage the power cord.

- DO NOT store or use gasoline or other flammable vapors and liquids in the vicinity of this or any other appliance.
- DO NOT allow children to climb, stand, or hang on the refrigerator doors or shelves in the refrigerator. They could damage the refrigerator and seriously injure themselves.
- Keep fingers out of pinch point areas; clearances between the doors and cabinets are necessarily small. Be careful closing doors when children are in the area.
- Unplug your refrigerator before cleaning or making any repairs.

**NOTE:** It is strongly recommended that any service be performed by a qualified technician.

## SAVE THESE INSTRUCTIONS

## ! WARNING

- Before replacing a burned-out or broken light bulb, unplug the refrigerator or turn off power at the circuit breaker or fuse box in order to avoid contact with a live wire filament. (A burned-out light bulb may break when being replaced exposing the wire filament.)

**NOTE:** Some models have LED interior lighting and service should be performed by a qualified technician.

**! WARNING:** Setting either or both controls to the OFF position does not remove power to the light circuit.

- When you are finished, reconnect the refrigerator to the electrical source and reset the controls (Thermostat, Refrigerator Control, and or Freezer Control, depending on the model) to the desired setting.
- This refrigerator must be properly installed in accordance with the **Attention Installer Instructions** that were taped to the front of the refrigerator.
- After your refrigerator is in operation, do not touch the cold surfaces in the freezer compartment when hands are damp or wet. Skin may adhere to the extremely cold surfaces.

- DO NOT touch the automatic ice making mechanism while the refrigerator is plugged in.
- DO NOT refreeze frozen foods which have thawed completely. The United States Department of Agriculture in Home and Garden Bulletin No. 69 says:

...You may safely refreeze frozen foods that have thawed if they still contain ice crystals or if they are still cold—below 4°C.

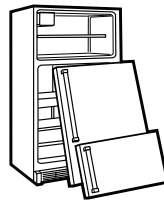
...Thawed ground meats, poultry or fish that have any off-odor or off-color should not be refrozen and should not be eaten. Thawed ice cream should be discarded. If the odor or color of any food is poor or questionable, dispose of it. The food may be dangerous to eat.

Even partial thawing and refreezing reduces the eating quality of foods, particularly fruits, vegetables and prepared foods. The eating quality of red meats is affected less than that of many other foods. Use refrozen foods as soon as possible to save as much of their quality as you can.

## SAVE THESE INSTRUCTIONS

## ! DANGER: RISK OF CHILD ENTRAPMENT

Junked or abandoned refrigerators are dangerous, even if they are sitting for only a few days. If you are getting rid of your old refrigerator, please follow the instructions at right to help prevent accidents (child entrapment and suffocation).



### BEFORE YOU THROW AWAY YOUR OLD REFRIGERATOR OR FREEZER:

- Take off the doors.
- Leave the shelves in place so that children may not easily climb inside.

## CFC DISPOSAL

Your old refrigerator may have a cooling system that used CFCs (chlorofluorocarbons). CFCs are believed to harm stratospheric ozone.

If you are throwing away your old refrigerator, make sure the CFC refrigerant is removed for proper disposal by a qualified technician. If you intentionally release this CFC refrigerant, you may be subject to fines and imprisonment under provisions of environmental legislation.

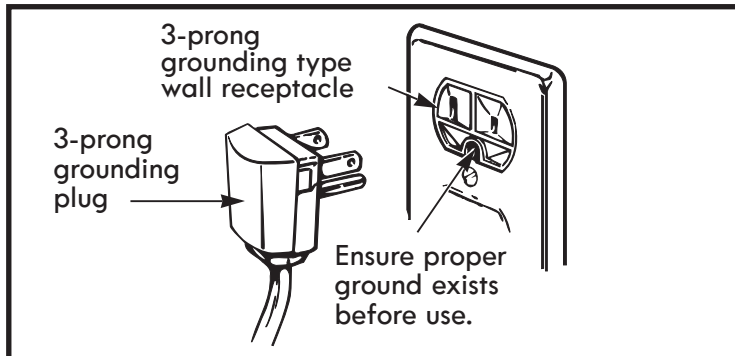
## ELECTRICAL & GROUNDING REQUIREMENTS

**IMPORTANT:** Please read carefully.  
**TO CONNECT ELECTRICITY**

### **! WARNING**

#### **Electrical Shock Hazard**

**FOR PERSONAL SAFETY**, this appliance must be properly grounded. Have the wall outlet and the circuit checked by a qualified electrician to make sure the outlet is properly grounded.



### **RECOMMENDED GROUNDING METHOD**

The refrigerator should always be plugged into its own individual properly grounded electrical outlet rated for 115 Volts, 60 Hz, AC only, and fused at 15 or 20 amperes. This provides the best performance and also prevents overloading house wiring circuits which could cause a fire hazard from overheated wires. It is recommended that a separate circuit serving only this appliance be provided.

Use a receptacle that cannot be turned off with a switch or pull chain. Do not use an extension cord.

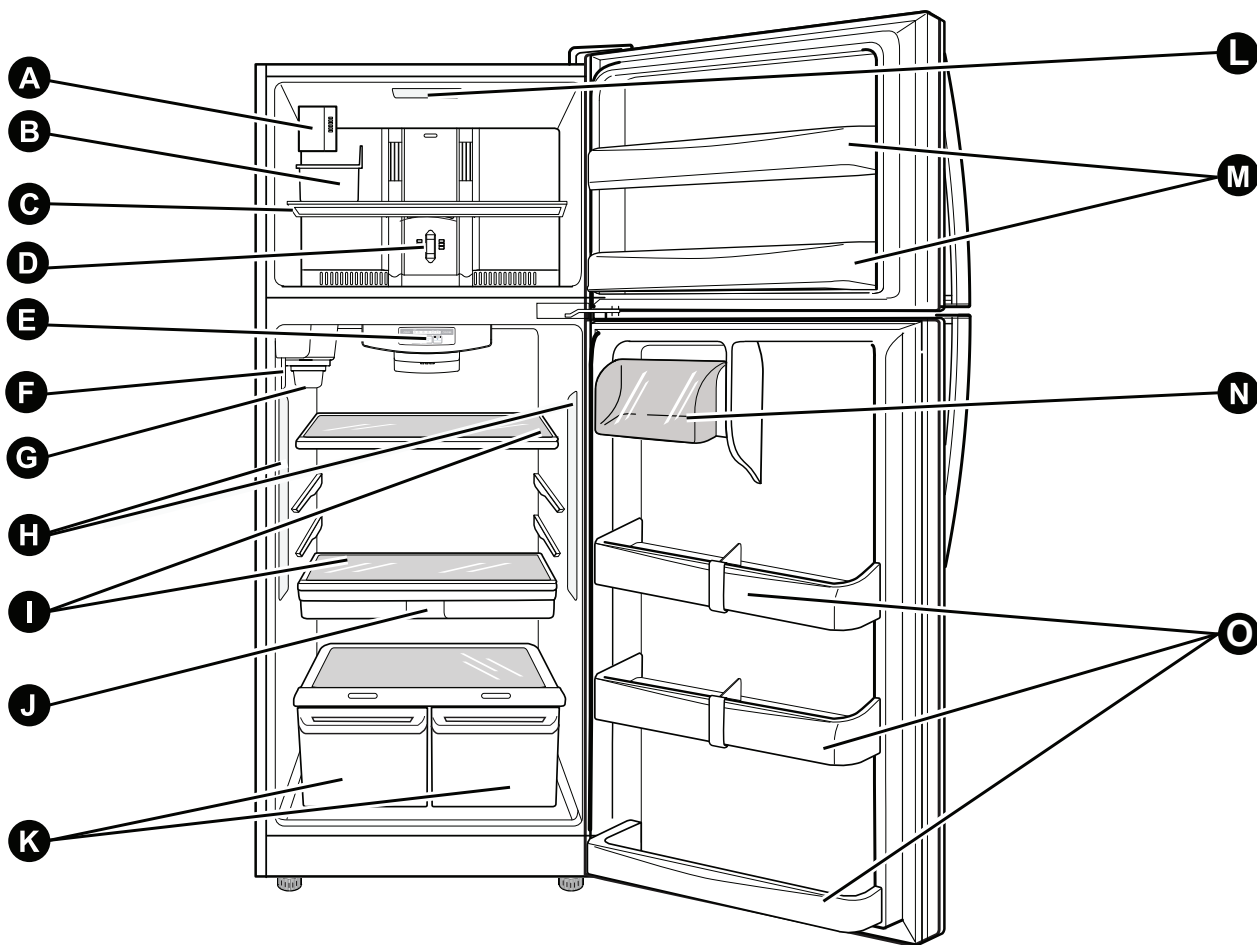
Where a standard two-prong wall outlet is encountered, it is your personal responsibility and obligation to have it replaced with a properly grounded three-prong wall outlet.

### **USE OF EXTENSION CORDS**

**Because of potential safety hazards under certain conditions, the use of an extension cord is not recommended.** However, if you still elect to use an extension cord, it is absolutely necessary that it be a UL-listed (USA), 3-wire grounding type appliance extension cord having a grounding type plug and outlet, and that the electrical rating of the cord be 15 amperes (minimum) and 120 volts.

Use of an extension cord will increase the clearance needed for the back of the refrigerator.

## PARTS AND FEATURES



Use this page to become more familiar with the parts and features of your refrigerator. Page references are included for your convenience.

**NOTE:** This guide covers several different models. The refrigerator you have purchased may have some or all of the items listed below. The locations of the features shown below may not match your model.

- |   |                                 |
|---|---------------------------------|
| <b>A</b> Custom Cube Icemaker*            | <b>I</b> Shelves                |
| <b>B</b> Ice Bin                          | <b>J</b> Pantry Drawer          |
| <b>C</b> Freezer Shelf                    | <b>K</b> Crispers               |
| <b>D</b> Freezer Temperature Control      | <b>L</b> Freezer Light (LED)    |
| <b>E</b> Refrigerator Temperature Control | <b>M</b> Freezer Door Bins      |
| <b>F</b> Water Dispenser Button           | <b>N</b> Dairy Bin              |
| <b>G</b> Water Filter                     | <b>O</b> Refrigerator Door Bins |
| <b>H</b> Refrigerator Light (LED)         |                                 |

\* On some models

# REFRIGERATOR INSTALLATION

## **WARNING**

### **Excessive Weight Hazard:**

Use two or more people to move and install the refrigerator. Failure to do so can result in back or other injury.

## **UNPACKING YOUR REFRIGERATOR**

Remove tape and any temporary labels from your refrigerator before using. Do not remove any warning-type labels, the model and serial number label, or the Tech Sheet that is located under the front of the refrigerator, behind the base grille.

To remove any remaining tape or glue, rub the area briskly with your thumb. Tape or glue residue can also be easily removed by rubbing a small amount of liquid dish soap over the adhesive with your fingers. Wipe with warm water and dry.

Do not use sharp instruments, rubbing alcohol, flammable fluids, or abrasive cleaners to remove tape or glue. These products can damage the surface of your refrigerator.

Refrigerator shelves are installed in the shipping position. Please reinstall shelves according to your individual storage needs.

## **WARNING**

### **Excessive Weight Hazard:**

Your refrigerator is heavy. When moving the refrigerator for cleaning or service, be sure to protect the floor. Always pull the refrigerator straight out when moving it. Do not wiggle or walk the refrigerator when trying to move it, as floor damage could occur.

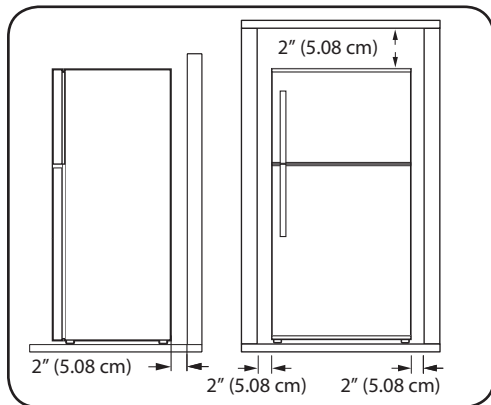
## **WARNING**

### **Explosion Hazard:**

Keep flammable materials and vapors, such as gasoline, away from the refrigerator. Failure to do so can result in fire, explosion, or death.

## PRIOR TO USE

1. Clean your refrigerator thoroughly and wipe off all dust that accumulated during shipping.
2. Install accessories such as ice cube bin, drawers, shelves, etc., in their proper places. They are packed together to prevent possible damage during shipment.
3. Allow your refrigerator to run for at least two to three hours before putting food in it. Check the flow of cold air in the freezer compartment to ensure proper cooling. Your refrigerator is now ready for use.



## INSTALLATION

The refrigerator should always be plugged into its own individual properly grounded electrical outlet rated for 115 Volts, 60 Hz, AC only, and fused at 15 or 20 amperes. This provides the best performance and also prevents overloading house wiring circuits which could cause a fire hazard from overheated wires. It is recommended that a separate circuit serving only this appliance be provided. (See the **LEVELING** and **DOOR ALIGNMENT** sections.)

### **! WARNING**

#### **Shock Hazard:**

To reduce the risk of electric shock, do not install the refrigerator in a wet or damp area.

1. To avoid noise and vibration, the unit must be leveled and installed on a solidly constructed floor. If required, adjust the leveling legs to compensate for unevenness of the floor. The front should be slightly higher than the rear to aid in door closing. Leveling legs can be turned easily by tipping the cabinet slightly. Turn the leveling legs clockwise to raise the unit or counterclockwise to lower it. (See **LEVELING** and **DOOR ALIGNMENT** sections.)

**NOTE:** Installing on carpeting, soft tile surfaces, a platform or weakly supported structure is not recommended.

2. Install this appliance in an area where the temperature is between 55°F (13°C) and 110°F (43°C). If the temperature around the appliance is too low or high, cooling ability may be adversely affected.
3. Select a place where a water supply can be easily connected for the automatic icemaker.

**NOTE:** The water pressure must be between 20 and 120 psi on models without a water filter and between 40 and 120 psi on models with a water filter.

4. Too small of a distance from adjacent items may result in lowered freezing capability and increased electricity consumption charges. Allow at least 24 inches (61 cm) in front of the refrigerator to open the doors.
5. If a **reverse osmosis water filtration system** is connected to your cold water supply, the water pressure to the reverse osmosis system needs to be a minimum of 40 to 60 psi (2.8 kgf/cm<sup>2</sup> ~ 4.2 kgf/cm<sup>2</sup>, less than 2.0~3.0 sec. to fill a cup of 7 oz capacity).

Please refer to Connecting the Water Line section for more information on a reverse osmosis filtration system.

## REMOVING AND REPLACING THE DOORS

**! WARNING****Excessive Weight Hazard:**

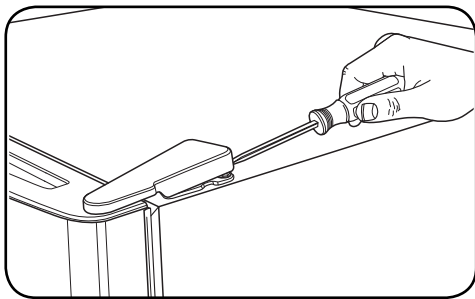
Use two or more people to remove and install the refrigerator doors. Failure to do so can result in back or other injury.

**TOOLS NEEDED**

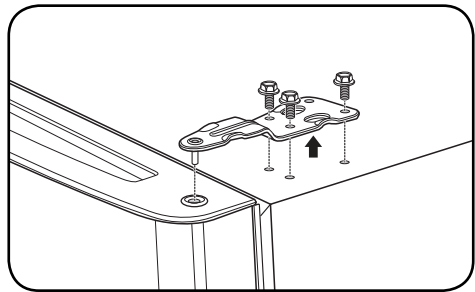
- 10mm or  $\frac{13}{32}$ -inch socket wrench
- (with 2-inch extension for bottom door hinge)
- No. 2 Phillips head screwdriver
- Flat-head screwdriver for prying
- Adjustable wrench

**REMOVING THE FREEZER DOOR**

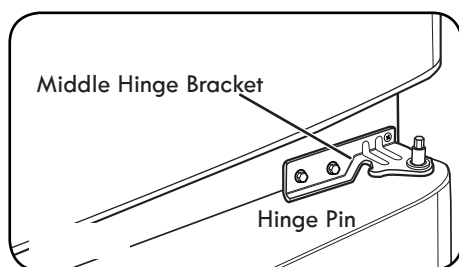
Remove the top-hinge cover by gently prying it with a flat head screwdriver.



Using either a 10 mm or  $\frac{13}{32}$  in. socket wrench, remove the three bolts and lift off the top hinge. Set parts aside.



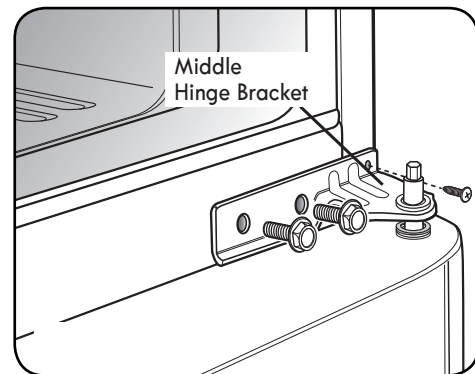
Carefully lift up the freezer door. Place the door on a non-scratching surface.

**! WARNING****Electrical Shock Hazard**

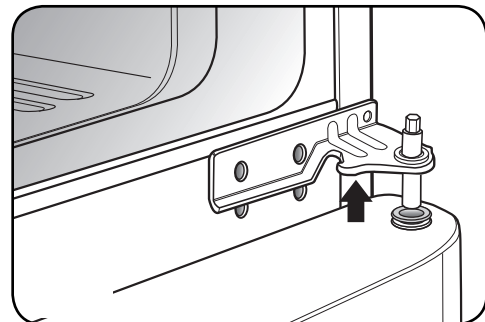
- Disconnect the electrical supply to the refrigerator before installing. Failure to do so could result in serious injury or death.
- Do not put hands, feet or other objects into the air vents, base grille, or bottom of the refrigerator. You may be injured or receive an electrical shock.

**REMOVING THE REFRIGERATOR DOOR**

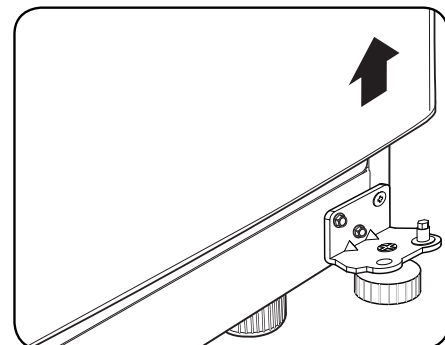
Loosen and remove the two bolts using a phillips head screwdriver.



Remove the middle hinge bracket.



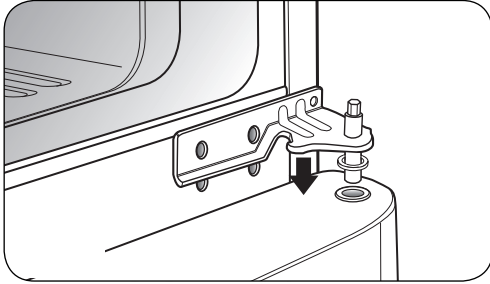
Carefully lift up the door. Place the door on a non-scratching surface.



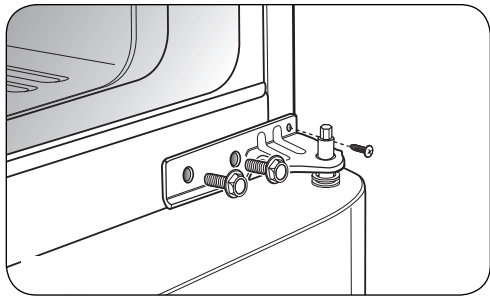
## REPLACING THE REFRIGERATOR DOOR

Lower the door onto the bottom hinge pin.

Place the hinge pin of the middle hinge bracket inside of the hinge pin insert on top of the door. Hold the door in place and line the middle hinge bracket with the holes in the refrigerator housing.

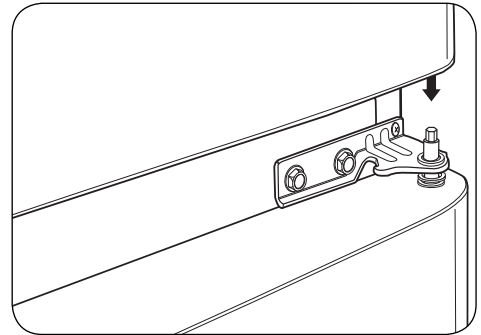


Use the two bolts and phillips screwdriver to refasten the middle hinge bracket and door to the refrigerator housing.

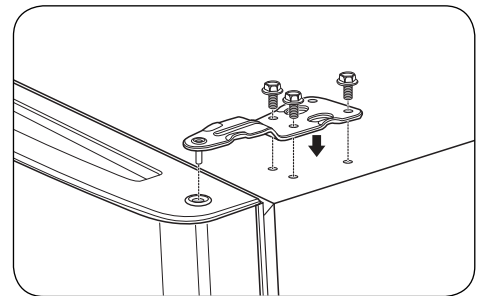


## REPLACING THE FREEZER DOOR

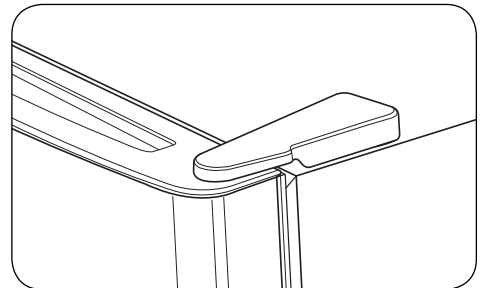
Set the freezer door onto the Middle Hinge pin.



Place the upper hinge pin in the top of the freezer door and line up the upper hinge with the holes on top of the refrigerator. Use the three bolts to replace the hinge.



Carefully force-fit the top hinge cover back into place over the hinge.



## REVERSING THE DOORS

### ⚠ WARNING

#### ELECTRICAL SHOCK HAZARD

Before you begin, either unplug the refrigerator or turn off power at the circuit breaker or fuse box. Failure to do so could result in death or serious injury.

### ⚠ CAUTION

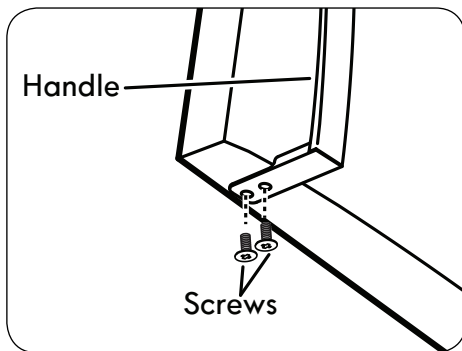
Remove food and any Adjustable Shelves or Door Bins from doors. Failure to do so could result in serious injury.

### TOOLS NEEDED

- 10mm or 13/32 inch socket wrench (with 2-inch extension for bottom door hinge)
- No. 2 Phillips head screwdriver
- 1/4 inch socket wrench
- Flat-head screwdriver for prying
- Adjustable wrench
- 3/32 - inch hex wrench

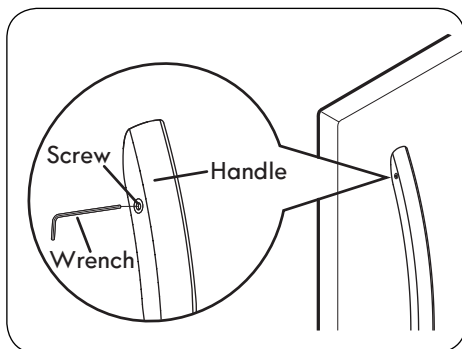
### REVERSING THE FREEZER DOOR

Remove the two screws located on the bottom part of the freezer handle with a screwdriver.

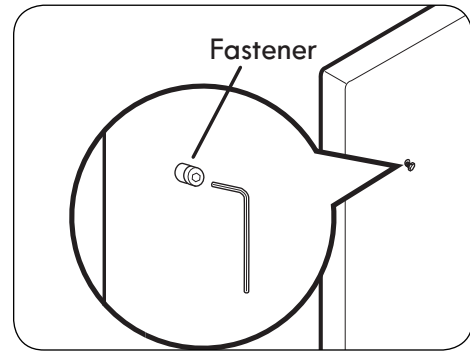


Loosen the upper set screw with a 3/32" hex wrench and remove the handle. The freezer handle is going to be the refrigerator handle when reversing the doors.

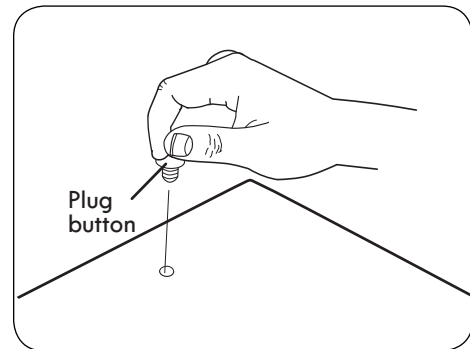
**NOTE:** Grasp the handle tightly so that it does not fall when the screws are removed.



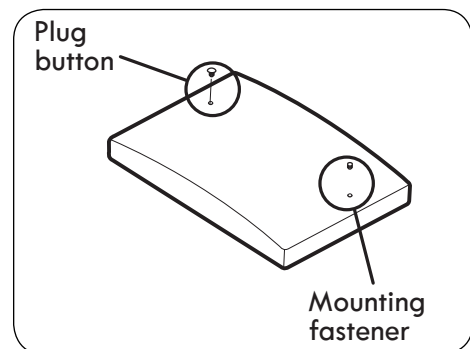
Loosen the handle mounting fastener with a 1/4" hex wrench.



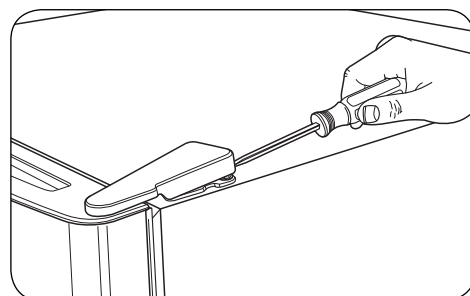
Unscrew the plug button with your fingers by rotating it counterclockwise.



Install the plug button on the left side and the handle mounting fastener on the right side.

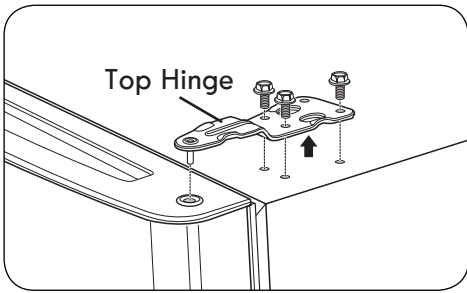


Gently pry off the top hinge cover with a flat head screwdriver and remove.

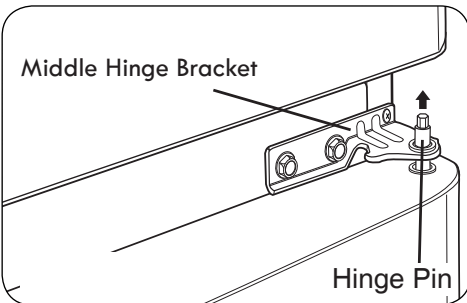


## REFRIGERATOR INSTALLATION

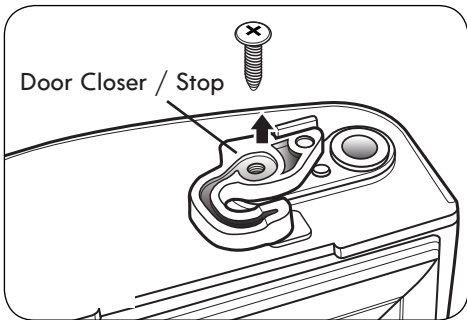
Using 10mm or  $13/32$  inch socket wrench, remove the three bolts and lift off the top hinge. Set parts aside.



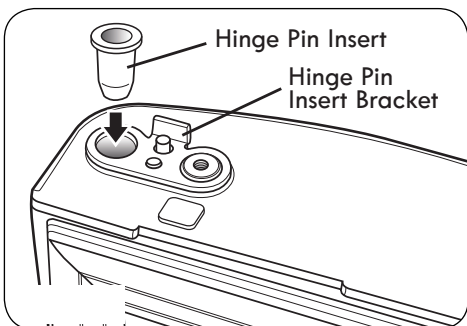
Slightly lift up the refrigerator door and remove it.



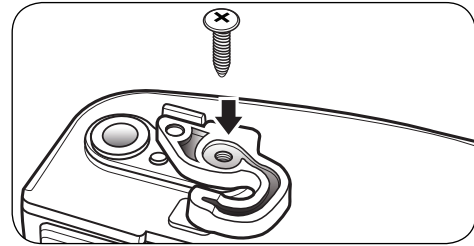
Turn the freezer door upside down on a non-scratch surface. Loosen the screw to remove the Door Closer/Stop and Hinge Pin Insert.



Move the Hinge Pin Insert Bracket to the other side of the door, keeping the same orientation, and move the Hinge Pin Insert into the hole on the left side of the bracket.

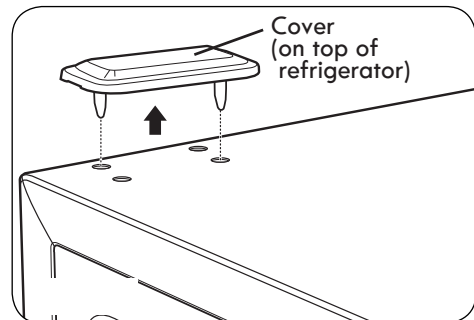


Reverse the Door Closer/Stop by flipping it over. Place it on top of the Hinge Pin Insert Bracket, and tighten both down with the screw.



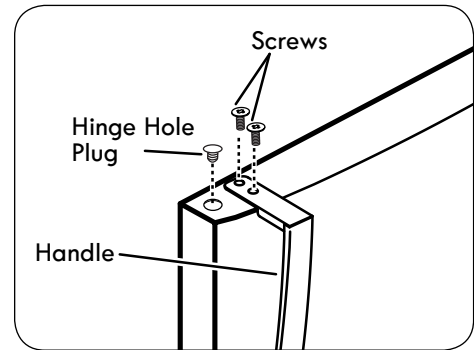
Pry off the cover on the top left side of the refrigerator to uncover the screw holes.

Set the freezer door and top hinge parts to the side and remove the refrigerator door.



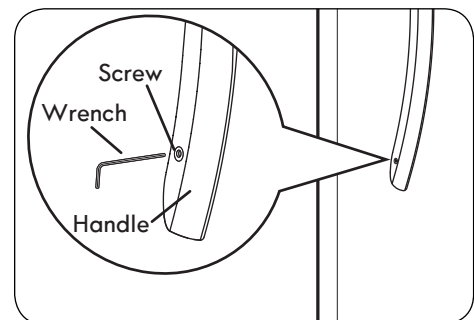
### REVERSING THE REFRIGERATOR DOOR

Remove the Hinge Hole Plug and the two screws located in the upper part of refrigerator handle with a screwdriver.

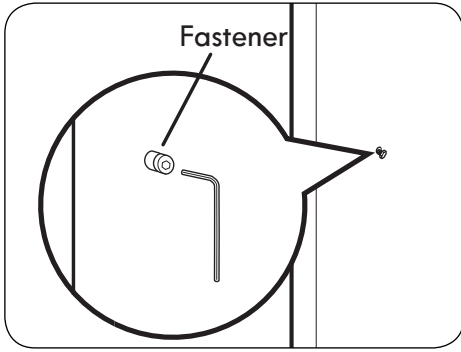


Loosen the upper set screw with a  $3/32$ " hex wrench and remove the handle. The refrigerator handle is going to be the freezer handle when reversing doors.

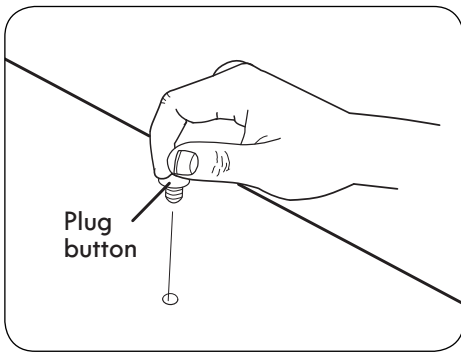
**NOTE:** Grasp the handle tightly so that it does not fall when the screws are removed.



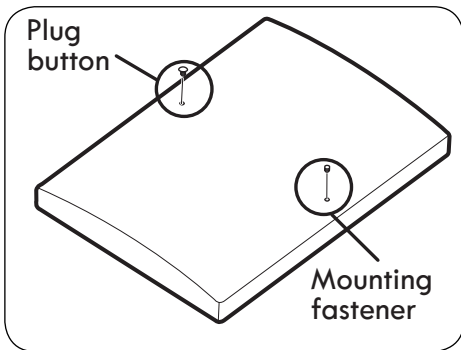
Loosen the handle mounting fastener with a 1/4" hex wrench.



Unscrew the plug button with your fingers by rotating it counterclockwise; it will loosen and fall free.

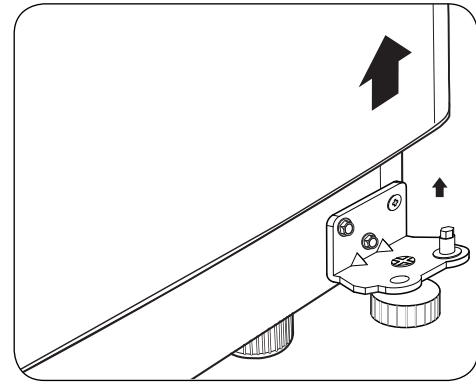
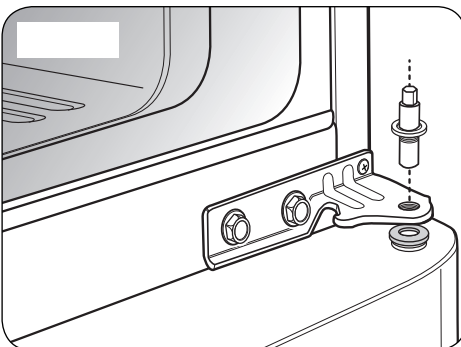


Install the plug button on the left side and install the handle mounting fastener on the right side.

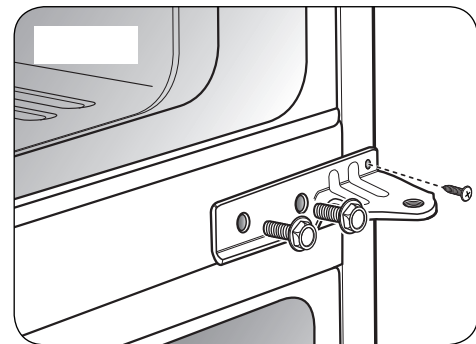


Using a 1/4" socket wrench, loosen and remove Hinge Pin from the Middle Hinge Bracket. Remove washer underneath the middle hinge and set aside.

**NOTE:** At this point the door will be loose. Slightly lift the door and remove it.

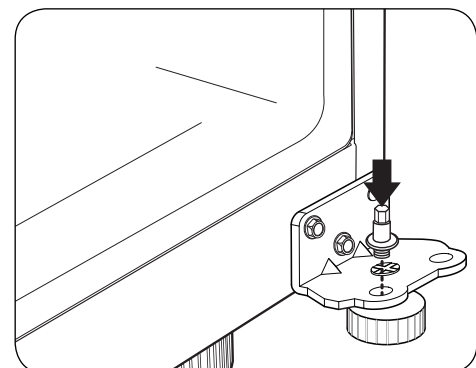
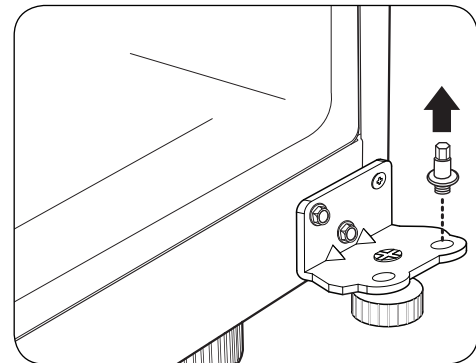


Loosen and remove the two bolts and use the Phillips head screwdriver to remove the Middle Hinge Bracket from the refrigerator housing. Set parts aside.



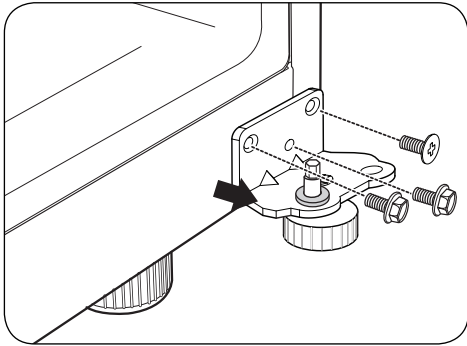
Remove the washer from the Bottom Hinge Pin. Using a 1/4" socket wrench, loosen and remove the Hinge Pin from the Bottom Hinge. Reattach the Hinge Pin to the opposite side of the hinge.

**NOTE:** This is easier to do while the hinge is still attached.

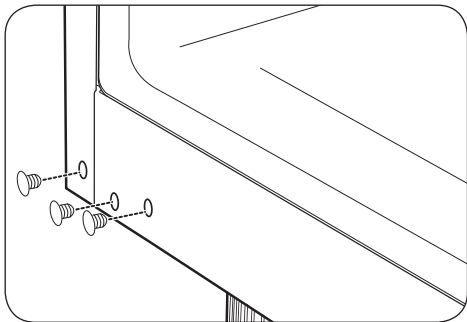


## REFRIGERATOR INSTALLATION

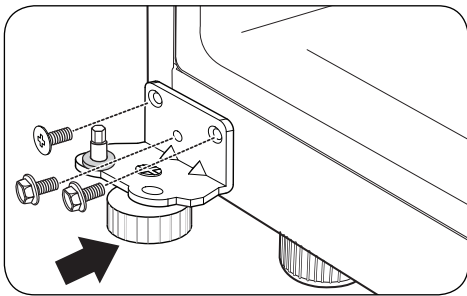
Using a  $\frac{13}{32}$ " socket wrench with a 2-Inch extension and screwdriver, loosen the two bolts and one screw, and remove the Bottom Hinge from right side of the housing.



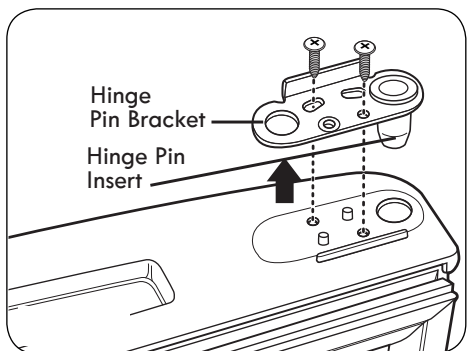
Remove the Decorative Caps on the bottom of the refrigerator housing. You will need these holes for the Bottom Hinge.



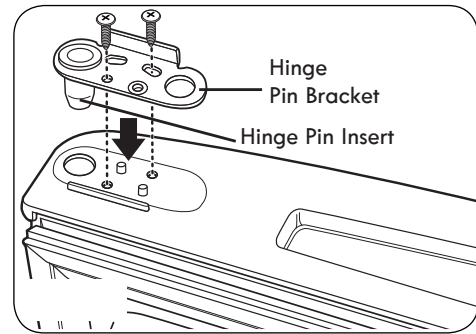
Move the Bottom Hinge to the left side of the housing, keeping the same orientation, and reattach with the two bolts and one screw. The flat screw must be placed on the exterior side of the hinge. Move the Decorative Bolt to the hole on the lower right side of the housing.



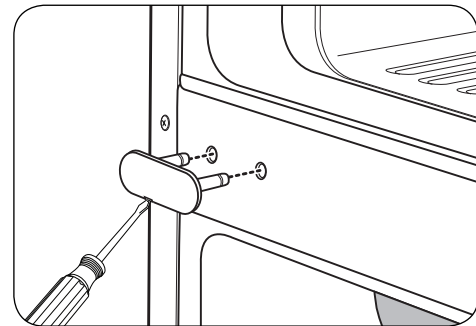
Turn the refrigerator door upside down on a non-scratching surface. Loosen the two screws to remove the Bottom Hinge Pin Insert Bracket with the Hinge Pin Insert.



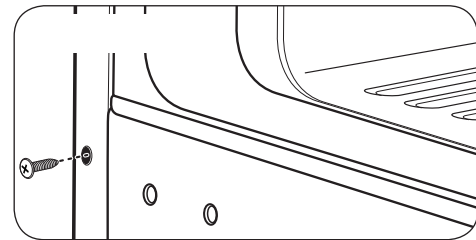
Take out the Hinge Pin Insert and move the Bracket to the other side of the door, keeping the same orientation. Place the Hinge Pin Insert into the left side of the bracket. Tighten the Hinge Pin Bracket to the door.



With a flat-head screwdriver, carefully pry off and remove the cover over the screw holes on the left side of refrigerator housing.

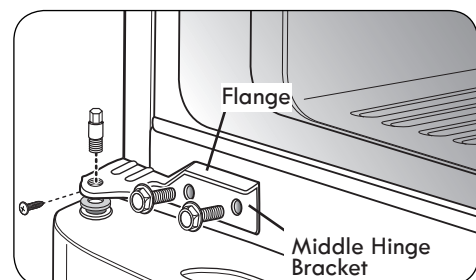


Remove the outer lower Decorative Screw from the housing at the area between the freezer and refrigerator doors. (You will need this hole for the Middle Hinge Bracket.)

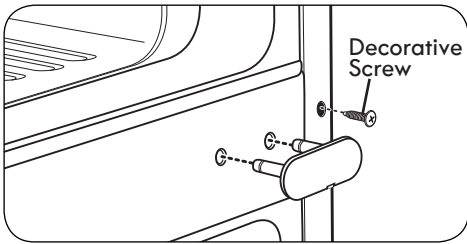


Flip the Middle Hinge Bracket, (flange will now be on top) position it on left side of the refrigerator and re-attach with two bolts and a Phillips screwdriver. Place the refrigerator door down over the pin on the bottom hinge. Place the washer between the refrigerator door and middle hinge and re-attach Hinge Pin to Hinge Bracket with a  $\frac{1}{4}$ " socket wrench.

**NOTE:** Bracket has been flipped, but Hinge Pin stays in the same orientation with its hexagonal end facing upward.

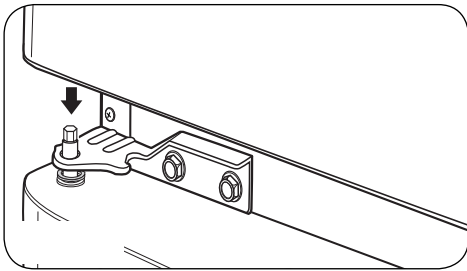


Insert the Decorative Screw into the outer hole on the right side of the housing. Attach cover on the right side. Cover is force-fitted.

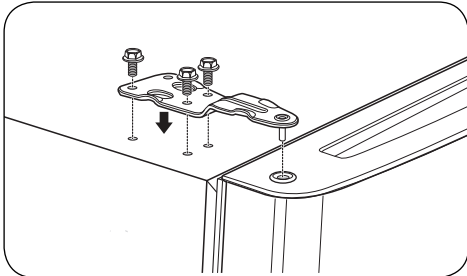


**REATTACHING THE DOORS**

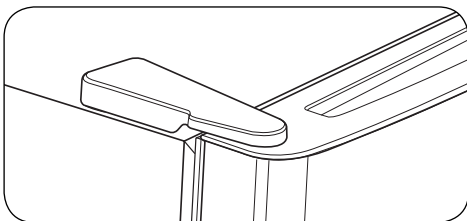
Place the freezer door down over the Hinge Pin on the Middle Hinge Pin Bracket.



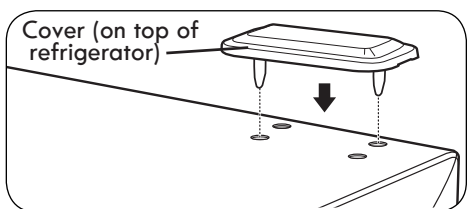
Place the Upper Hinge Pin on top of the freezer door and line up the Upper Hinge with holes on top of the refrigerator. Use the three bolts to replace the Hinge.



Tighten the bolts. Force-fit Top Hinge Cover over Top Hinge.

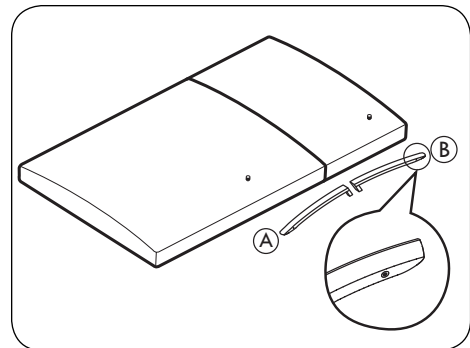
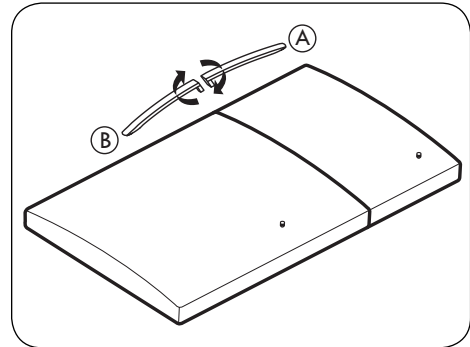


Replace cover on the top left side of the refrigerator to the right top to cover the holes. Cover is also force-fitted.

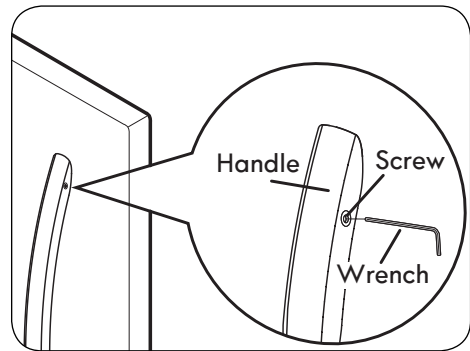


Rotate the handles. The freezer handle will move to the refrigerator door, and the refrigerator handle will move to freezer door.

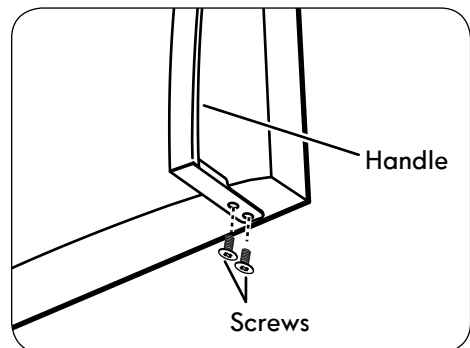
**NOTE:** Make sure that the handle screw holes are facing the right side of the door.



Install the Freezer handle by adjusting the handle footprints to fit mounting fasteners. Tighten the set screws with a 3/32" hex wrench.

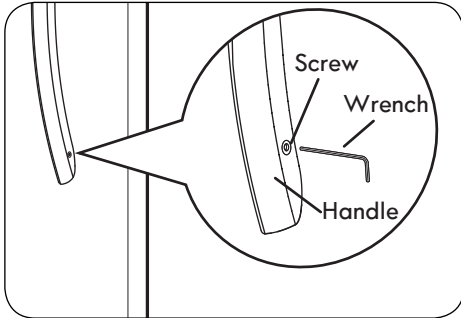


Install the two screws under the handle with a screwdriver.

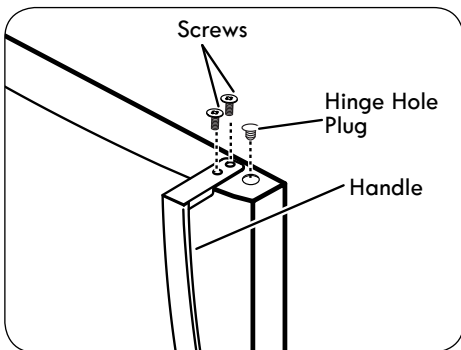


## REFRIGERATOR INSTALLATION

Install the refrigerator handle by adjusting the handle footprints to fit the mounting fasteners. Tighten the set screws with a  $3/32$ " hex wrench.

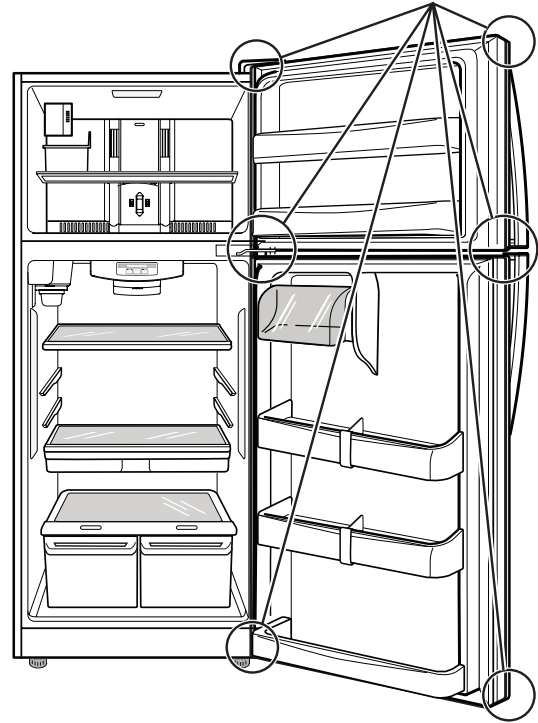


Install the Hinge Hole Plug and the two screws on the top of the handle with a screwdriver.



After switching the doors, make sure that the corners of the Door Gaskets are not folded over. To ensure a good seal, apply a small amount of silicon grease on the corners of gaskets.

### Corners



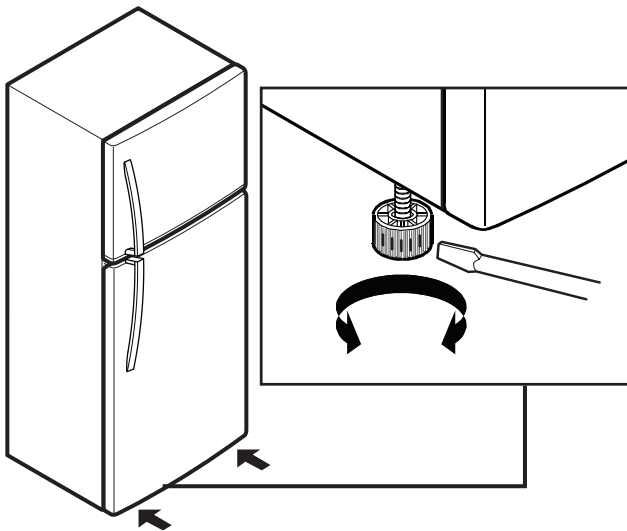
## LEVELING

To avoid vibration, the unit must be leveled. If necessary, adjust the leveling legs to compensate for unevenness of the floor. The front should be slightly higher than the rear to aid in door closing.

Your refrigerator has two Front Leveling Screws - one on the right and one on the left. If your refrigerator seems unsteady or you want the doors to close more easily, adjust the refrigerator's tilt using the instruction below:

1. Plug refrigerator power cord into a 3-prong grounded outlet. Move the refrigerator into its final position.
2. Insert a flat screwdriver in slots to adjust the Leveling Screws. Turn the leveling screw clockwise to raise the side of the refrigerator or counterclockwise to lower it. It may take several turns of the leveling screw to adjust the tilt of the refrigerator.

**NOTE:** Having some push against the top of the refrigerator takes some weight off of the leveling screws. This make it easier to adjust the screws.



3. Open both doors again and check to make sure that they close easily. If not, tilt the refrigerator slightly more to the rear by turning both leveling screws clockwise. It may take several more turns, and you should turn both leveling screws the same amount.

## DOOR ALIGNMENT

If the space between your doors is uneven, follow the instructions below to align the doors.

1. Gently pry off the refrigerator door Top Hinge Cover with a flat head screwdriver and remove. Loosen the Top Hinge Bolts using a 10mm or  $13/32$ " Socket wrench or open-end wrench.
2. Have a second person hold the refrigerator door in its proper position.
3. Replace the Top Hinge Cover.

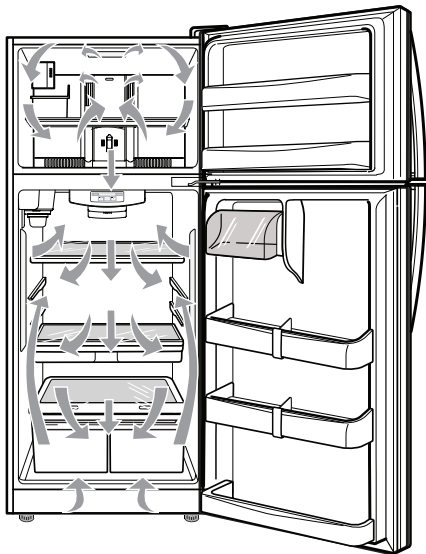
# USING YOUR REFRIGERATOR

## SETTING THE CONTROLS

### AIRFLOW

In order to ensure proper temperatures, air must flow between the refrigerator and freezer sections. As shown in the illustration below, air enters at the top of the freezer and circulates down. Air enters through the top vent of the refrigerator, then circulates and exists at the bottom, where it returns to the freezer.

When loading your refrigerator, make sure that items do not block the air vents. Items that block air vents will restrict air flow.

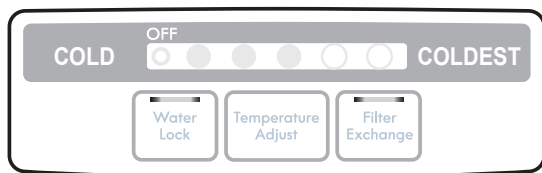


### TEMPERATURE

When changing control settings, wait 24 hours before making additional adjustments. The controls are set correctly when milk or juice is as cold as you would like and when ice cream is firm. If the temperature in either compartment is too cold or too warm, change the setting one increment at a time. Wait 24 hours for the change to stabilize before adjusting again.

### TEMPERATURE ADJUST

Press the **TEMPERATURE ADJUST** button repeatedly to select one of the five temperature levels between **COLD** and **COLDEST**.



### WATER LOCK

Press the **WATER LOCK** button to lock the water dispenser. The **WATER LOCK** button will illuminate when the Water Lock is activated. The water dispenser will not operate at this time.

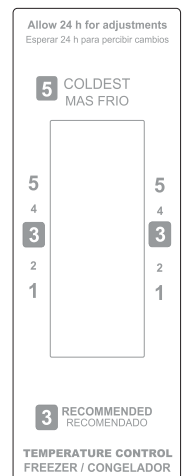
To unlock the water dispenser, press the button **WATER LOCK** button again. The **WATER LOCK** button light will turn off once deactivated.

### FILTER CHANGE

When the water filter indicator turns on, you have to change the water filter. After changing the water filter, press and hold the **FILTER CHANGE** button for three seconds to turn the indicator light off. You need to change the water filter approximately every six months.

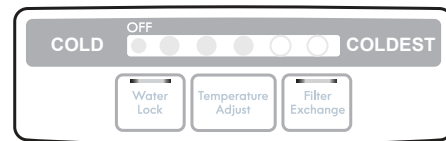
### FREEZER CONTROL

Turn the temperature dial up or down to adjust the temperature. Turn the dial up for a colder temperature or down for a warmer temperature.



### Demo Mode (For Store Use Only)

Demo Mode disables all cooling in the refrigerator and freezer sections to conserve energy while on display in a retail store. When activated, **OFF** will display on the control panel.



### To deactivate:

Press the **TEMPERATURE ADJUST** button until your desired temperature setting is reached. The **OFF** light will turn off once the Demo Mode is deactivated.

**FOOD STORAGE GUIDE**

Wrap or store food in the refrigerator in airtight and moisture-proof material unless otherwise noted. This prevents food odor and taste transfer throughout the refrigerator. For dated products, check date code to ensure freshness.

Items	How to
<b>Butter or margarine</b>	▶ Keep opened butter in a covered dish or closed compartment. When storing an extra supply, wrap in freezer packaging and freeze.
<b>Cheese</b>	▶ Store in the original wrapping until you are ready to use it. Once opened, rewrap tightly in plastic wrap or aluminum foil.
<b>Milk</b>	▶ Wipe milk cartons. For best storage, place milk on interior shelf.
<b>Eggs</b>	▶ Store in original carton on interior shelf, not on door shelf.
<b>Fruit</b>	▶ Wash, let dry, and store in refrigerator in plastic bags or in the crisper. Do not wash or hull fruit until you are ready to use it. Sort and keep fruit in its original container, in a crisper, or store in a completely closed paper bag on a refrigerator shelf.
<b>Leafy vegetables</b>	▶ Remove store wrapping and trim or tear off bruised and discolored areas. Wash in cold water and drain. Place in plastic bag or plastic container and store in crisper.
<b>Vegetables with skins (carrots, peppers)</b>	▶ Place in plastic bags or plastic container and store in crisper.
<b>Fish</b>	▶ Use fresh fish and shellfish the same day purchased.
<b>Leftovers</b>	▶ Cover leftovers with plastic wrap, aluminum foil, or plastic containers with tight lids.

**STORING FROZEN FOOD**

**NOTE:** Check a freezer guide or a reliable cookbook for further information about preparing food for freezing or food storage times.

**Freezing**

Your freezer will not quick-freeze a large quantity of food. Do not put more unfrozen food into the freezer than will freeze within 24 hours (no more than 2 to 3 lbs. of food per cubic foot of freezer space). Leave enough space in the freezer for air to circulate around packages. Be careful to leave enough room at the front so the door can close tightly.

Storage times will vary according to the quality and type of food, the type of packaging or wrap used (how airtight and moisture-proof) and the storage temperature. Ice crystals inside a sealed package are normal. This simply means that moisture in the food and air inside the package have condensed, creating ice crystals.

**NOTE:** Allow hot foods to cool at room temperature for 30 minutes, then package and freeze. Cooling hot foods before freezing saves energy.

**Packaging**

Successful freezing depends on correct packaging. When you close and seal the package, it must not allow air or moisture in or out. If it does, you could have food odor and taste transfer throughout the refrigerator and could also dry out frozen food.

**Packaging recommendations:**

- Rigid plastic containers with tight-fitting lids
- Straight-sided canning/freezing jars
- Heavy-duty aluminum foil
- Plastic-coated paper
- Non-permeable plastic wraps
- Specified freezer-grade self-sealing plastic bags

Follow package or container instructions for proper freezing methods.

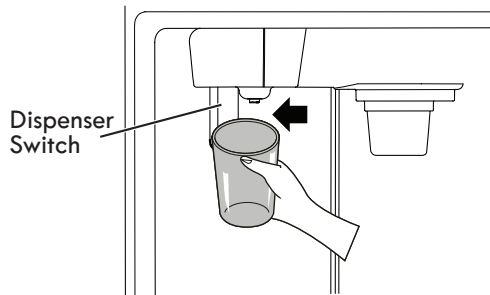
**Do not use**

- Bread wrappers
- Non-polyethylene plastic containers
- Containers without tight lids
- Wax paper or wax-coated freezer wrap
- Thin, semi-permeable wrap

**⚠ CAUTION:** Do not keep beverage cans or plastic food containers in the freezer compartment. They may break or burst if they freeze.

### WATER DISPENSER

To dispense cold water, push on the dispenser switch with a glass.



Some dripping may occur after dispensing. Hold your cup beneath the dispenser for a few seconds after dispensing to catch all of the drops.

**⚠ WARNING:** Do not put your fingers up the ice chute opening. Doing so can result in severe injury.

**⚠ CAUTION:** Do not dispense ice into fine china or crystal glasses. China or crystal can break.

### AUTOMATIC ICEMAKER (on some models)

The icemaker will produce approximately 100-130 cubes in a 24-hour period, depending on freezer compartment temperature, room temperature, number of door openings and other operating conditions.

- It takes about 12 to 24 hours for a newly installed refrigerator to begin making ice. Wait 72 hours for full ice production to occur.
- Ice making stops when the bin fills to the lever of the feeler arm.
- To turn off the automatic icemaker, set the icemaker switch to **OFF (O)**. To turn on the automatic icemaker, set the switch to **ON (I)**.
- The water pressure must be between 20 and 120 psi on models without a water filter and between 40 and 120 psi on models with a water filter to produce the normal amount and size of ice cubes.

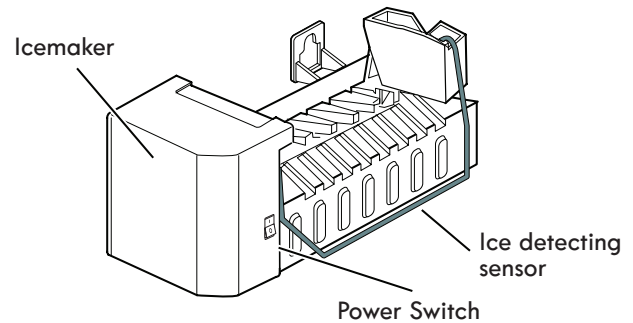
### ⚠ CAUTION

- Throw away the first few batches of ice (about 24 cubes). This is also necessary if the refrigerator has not been used for a long time.
- Never store beverage cans or other items in the ice bin for the purpose of rapid cooling. Doing so may damage the icemaker or the containers may burst.
- Never use thin crystal glass or crockery to collect ice. Such containers may chip or break resulting in glass fragments in the ice.

## ⚠ WARNING

### Personal Injury Hazard

**DO NOT** place fingers or hands on the automatic ice making mechanism while the refrigerator is plugged in.



### WHEN YOU SHOULD SET THE ICEMAKER POWER SWITCH TO OFF (O)

- When the water supply will be shut off for several hours.
- When the ice bin is removed for more than one or two minutes.
- When the refrigerator will not be used for several days.

**NOTE:** The ice bin should be emptied when the icemaker ON/OFF switch is turned to the **OFF (O)** position.

### NORMAL SOUNDS YOU MAY HEAR

- The icemaker water valve will buzz as the icemaker fills with water. If the power switch is in the **ON (I)** position, it will buzz even if it has not yet been hooked up to water. To stop the buzzing, move the power switch to **OFF (O)**.
- **NOTE:** Keeping the power switch in the **ON (I)** position before the water line is connected can damage the icemaker.
- You will hear the sound of cubes dropping into the bin and water running in the pipes as the icemaker refills.

### PREPARING FOR VACATION

Set the icemaker power switch to **OFF (O)** and shut off the water supply to the refrigerator.

**NOTE:** The ice bin should be emptied anytime the icemaker ON/OFF switch is turned to the **OFF (O)** position.

If the ambient temperature will drop below freezing, have a qualified technician drain the water supply system to prevent serious property damage due to flooding caused by ruptured water lines or connections.

## REFRIGERATOR SHELVES

The glass shelves in your refrigerator are adjustable to meet your individual storage needs.

Adjusting the shelves to fit different heights of items will make finding the exact item you want easier. Doing so will also reduce the amount of time the refrigerator door is open which will save energy.

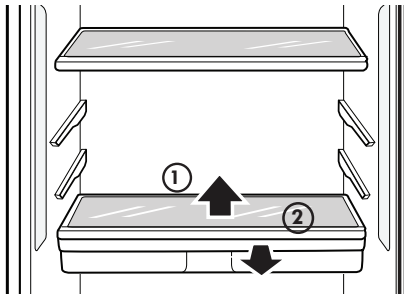
**IMPORTANT:** Do not clean glass shelves with warm water while they are cold. Shelves may break if exposed to sudden temperature changes or impact.

**NOTE:** Glass shelves are heavy. Use special care when removing them.

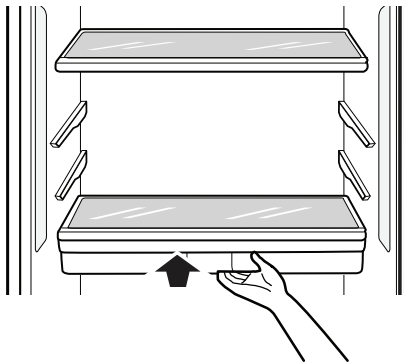
### Adjusting Shelves

Remove shelves from the shipping position and replace shelves in the position you want.

**To remove a shelf**—Tilt up the front of the shelf in the direction of ① and lift it in the direction of ②. Pull the shelf out.



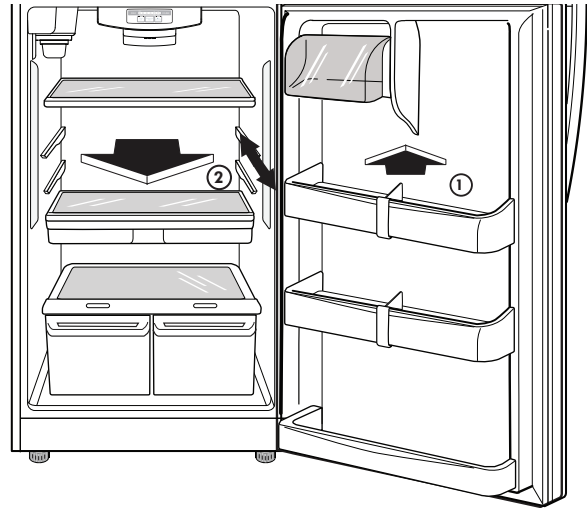
**To reinstall a shelf**—Slide the shelf into the guides until it stops.



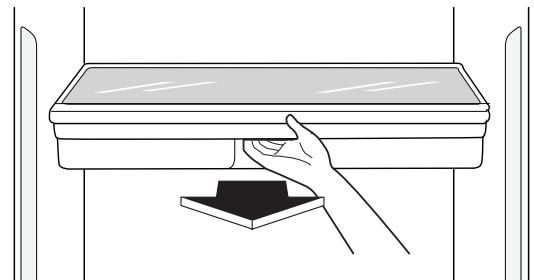
## PANTRY DRAWER (on some models)

### To remove the Pantry Drawer:

Remove the door bins ① before removing or replacing the pantry drawer ②.



Grasp the drawer handle and pull it forward to the drawer stop. Lift up and pull out.



### To replace the Pantry Drawer:

Slide the drawer back all the way past the drawer stop.

### HUMIDITY CONTROLLED CRISPERS

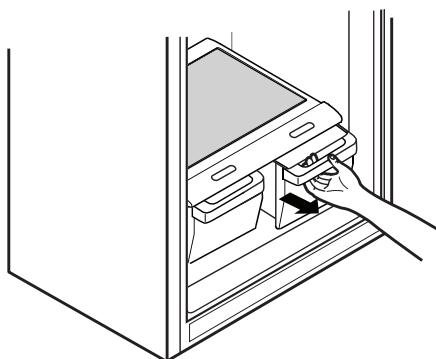
The crispers provide fresher tasting fruit and vegetables by letting you easily control humidity inside the drawer.

You can control the amount of humidity in the moisture-sealed crispers by adjusting the control to any setting between **VEGETABLES** and **FRUIT**.

- **VEGETABLES** keeps moist air in the crisper for best storage of fresh, leafy vegetables.
- **FRUIT** lets moist air out of the crisper for best storage of fruit.

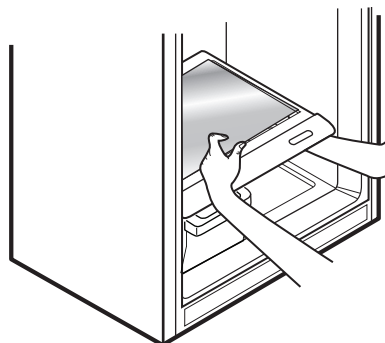
#### To remove and install the crisper drawers:

1. Pull the crisper drawer out to the drawer stop.
2. Lift the front of the crisper up, then pull it straight out.
3. To install, slightly tilt up the front, insert the drawer into the frame and push it back into place, past the drawer stop.



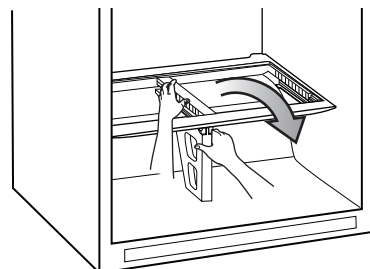
#### To remove the crisper glass:

1. Remove the crisper drawers (as described above).
2. Reach in under the glass and lift up.
3. Gently push the glass up and out.



#### To remove the crisper cover:

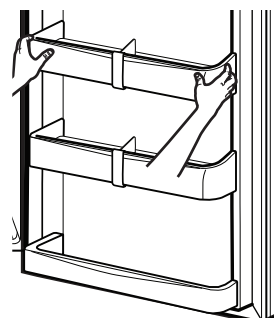
1. Remove both crisper drawers.
2. Remove the crisper glass.
3. While holding the support and crisper cover, pull up and out.



### DOOR BINS

The door bins are removable for easy cleaning and adjustment.

1. To remove the bin, simply lift the bin up and pull straight out.

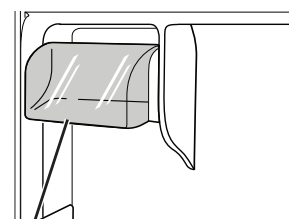


2. To replace the bin, slide it in above the desired support and push down until it snaps into place.

**NOTE:** Some bins may vary in appearance and will only fit in one location.

### DAIRY BIN

1. To remove the Dairy Bin, simply lift up and pull out.
2. To replace the Dairy Bin, slide it in above the desired support slots and push down until it stops.



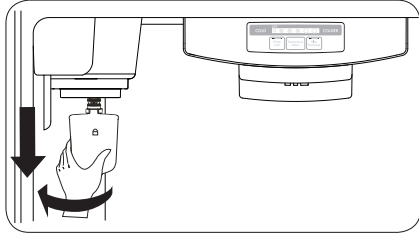
# WATER FILTER

## WATER FILTER

It is recommended that you replace the water filter:

- Approximately every 6 months.
- When the Filter Exchange indicator turns on.
- When the water dispenser output decreases.
- When the ice cubes are smaller than normal.

### Remove the old water filter



**NOTE:** Replacing the water filter causes a small amount of water (around 1 oz. or 25 cc) to drain. Place a cup under the front end of the water filter cover to collect any leaking water. Hold the water filter upright, once it is removed, to prevent any remaining water from spilling out of the water filter.


1. Make sure to turn off the household water supply.
2. Turn the filter counterclockwise and then pull down and out. Make sure to rotate the filter down completely before pulling it out of the manifold hole.

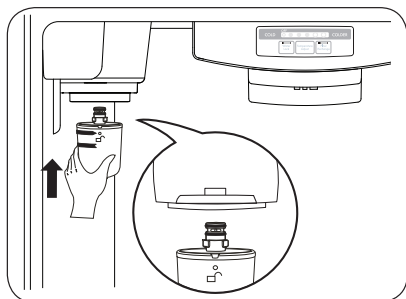
**NOTE:** The substitute cap must be retained for the future. If the filter is removed and not replaced, it is necessary to reinstall the substitute cap to prevent water leaks from the filter housing.


### Replace with a new water filter.

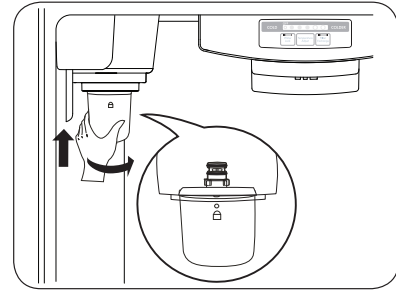
1. Remove the red cap from the filter.




2. Hold the filter with the unlock symbol  facing towards you, as shown in the picture below. Insert the filter into the filter receptacle on the left side of the refrigerator compartment.



3. Push the water filter up into the filter receptacle and rotate it clockwise to lock it into place. Once installed correctly, the lock symbol  should be facing you and you should not be able to rotate the filter clockwise any more.



**NOTE:** After installation, if you notice that the lock symbol  is not facing you or you can continue to rotate the filter clockwise; remove the filter and repeat installation to prevent water leaks.

### After installing the water filter:

1. Replace the shelf to the initial position.
2. After installing filter, turn on household water supply.
3. Dispense 2.5 gallons (9.46 liters) of water to purge the system, depressing and releasing the dispenser pad in cycles of 30 seconds ON and 60 seconds OFF. Open the refrigerator door and check the shelf area for water leaks.

To purchase a replacement water filter, call 1-800-469-4663 and ask for Part. No. ADQ72910907.

# WATER FILTER

## Performance Data Sheet Models Number ADQ72910907

Use with replacement cartridge ADQ72910907

This system has been tested according to NSF/ANSI Standards 42 for the reduction of the substances listed below. The concentration of the indicated substances in water entering the system was reduced to a concentration less than or equal to the permissible limit for water leaving the system as specified in NSF/ANSI 42.

System tested and certified by NSF International against NSF/ANSI Standard 42 for the reduction of Chlorine Taste and Odor and Nominal Particulate Class III.

Capacity: 500 gal (1,892 L)

Substance	Average Influent Concentration	Influent Challenge Concentration. Units apply to each row	Avg. Product Water Concentration	Average % Reduction	NSF % reduction req. or Max. permissible product water concentration
Nominal Particulate <small>Class I Particle size: &gt;0.5 to &lt;1 um</small>	24,333	At least 10,000 particles/ml	915	96	≥ 85%
Chlorine taste and odor <small>Class III</small>	1.9	2.0 mg/L ± 10%	0.07	96.4	≥ 50%

Note that while the testing was performed under standard laboratory conditions, actual performance may vary.

Application Guidelines / Water Supply Parameters	
Service flow	0.5 gpm (1.89 lpm)
Water pressure	20 - 125 psi (138 - 862 kPa)
Water temperature	33°F - 100°F (0.6°C - 38°C)

### ⚠ WARNING

To reduce the risk associated with ingestion of contaminants due to use with water that is microbiologically unsafe or of unknown quality. Do not use with water that is microbiologically unsafe or of unknown quality without adequate disinfection before or after the system.

### ⚠ CAUTION

To reduce the risk of property damage due to water leakage:

- Read and follow the Use & Care guide instructions before installation and use of this system.
- Install on COLD water lines only.
- Comply with all state and local plumbing codes.
- Install a pressure limiting device and water hammer arrester for inlet water pressures exceeding 80 psi (552 kPa). Refer to Uniform Plumbing Code, Sections 608.2 and 609.10.
- Never install or operate where inlet water pressure may exceed 120 psi (827 kPa).
- Protect filter from freezing. Remove filter in temperatures below 33° F (0.6° C).
- Replace cartridge at specified service interval. Cartridge **MUST** be replaced at least every 6 months.

Systems must be installed and operated in accordance with manufacturer's recommended procedures and guidelines.

To purchase a replacement water filter, call 1-800-469-4663 and ask for Part. No. ADQ72910907.

## CARE AND CLEANING

### **! WARNING**



#### **Explosion Hazard**

Use non-flammable cleaner. Failure to do so can result in fire, explosion, or death.

Both the refrigerator and freezer sections defrost automatically; however, clean both sections about once a month to prevent odors. Wipe up spills immediately.

#### **GENERAL CLEANING TIPS**

- Unplug refrigerator or disconnect power.
- Remove all removable parts, such as shelves, crispers, etc. Refer to sections in *Using Your Refrigerator* for removal instructions.
- Use a clean sponge or soft cloth and a mild detergent in warm water. Do not use abrasive or harsh cleaners.
- Hand wash, rinse and dry all surfaces thoroughly.
- Plug in refrigerator or reconnect power.

#### **OUTSIDE**

Waxing external painted metal surfaces helps provide rust protection. Do not wax plastic parts. Wax painted metal surfaces at least twice a year using appliance wax (or auto paste wax). Apply wax with a clean, soft cloth.

For products with a stainless steel exterior, use a clean sponge or soft cloth and a mild detergent in warm water. Do not use abrasive or harsh cleaners. Dry thoroughly with a soft cloth.

**INSIDE WALLS** (allow freezer to warm up so the cloth will not stick)

To help remove odors, you can wash the inside of the refrigerator with a mixture of baking soda and warm water. Mix 2 tablespoons of baking soda to 1 quart of water (26 g soda to 1 liter water.) Be sure the baking soda is completely dissolved so it does not scratch the surfaces of the refrigerator.

**! CAUTION:** While cleaning the inside, do not spray water.

#### **DOOR LINERS AND GASKETS**

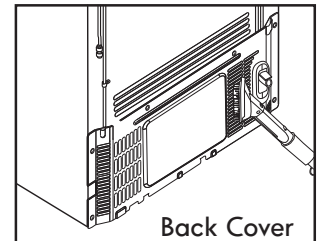
Use a clean sponge or soft cloth and a mild detergent in warm water. Do not use cleaning waxes, concentrated detergents, bleaches, or cleaners containing petroleum on plastic refrigerator parts.

#### **PLASTIC PARTS (Covers and Panels)**

Use a clean sponge or soft cloth and a mild detergent in warm water. Do not use window sprays, abrasive cleansers, or flammable fluids. These can scratch or damage the material.

#### **CONDENSER COILS**

Use a vacuum cleaner with an attachment to clean the condenser cover and vents. Do not remove the panel covering the condenser coil area.



#### **LIGHT REPLACEMENT**

The refrigerator and freezer compartment lights are LED interior lighting, and service should be performed by a qualified technician.

### **! WARNING**

#### **Electrical Shock Hazard**

Before replacing a light in the refrigerator or freezer compartment, either unplug the refrigerator or turn off power at the circuit breaker or fuse box.

### POWER INTERRUPTIONS

1. If the power will be out for 24 hours or less, keep all refrigerator doors closed to help foods stay cold and frozen.
2. If the power will be out for more than 24 hours, remove all frozen food and store it in a frozen food locker.

### WHEN YOU GO ON VACATION

**If you choose to leave the refrigerator on while you are away,** follow these steps to prepare your refrigerator before you leave.

1. Use up any perishables and freeze other items.
2. Turn off the icemaker and empty the ice bin.

**If you choose to turn the refrigerator off before you leave,** follow these steps.

1. Remove all food from the refrigerator.
2. Depending on your model, set the thermostat control (refrigerator control) to OFF. See the **Setting the Controls** section.
3. Clean the refrigerator, wipe it and dry well.
4. Tape rubber or wood blocks to the tops of both doors to prop them open far enough for air to get in. This stops odor and mold from building up.

### WHEN YOU MOVE

When you are moving your refrigerator to a new home, follow these steps to prepare it for the move.

1. Remove all food from the refrigerator and store it in a frozen food locker.
2. Unplug the refrigerator.
3. Clean, wipe and dry thoroughly.
4. Take out all removable parts, wrap them well and tape them together so they do not shift and rattle during the move. Refer to the **Using your Refrigerator** section for removable instructions.
5. Depending on the model, raise the front of the refrigerator so it rolls easier OR screw in the leveling legs all the way so they do not scrape the floor. See the **Door Closing** section.
6. Tape the doors shut and tape the power cord to the refrigerator cabinet.

When you get to your new home, put everything back and refer to the **Refrigerator Installation** section for preparation instructions.

# CONNECTING THE WATER LINE

## BEFORE YOU BEGIN

This water line installation is not covered by the refrigerator warranty. Follow these instructions carefully to minimize the risk of expensive water damage.

Water hammer (water banging in the pipes) in house plumbing can cause damage to refrigerator parts and can lead to water leakage or flooding. Call a qualified plumber to correct water hammer before installing the water supply line to the refrigerator.

To prevent burns and product damage, only connect the refrigerator water line to a cold water supply.

If you use your refrigerator before connecting the water line, make sure the icemaker power switch is in the **OFF (O)** position.

Do not install the icemaker tubing in areas where temperatures fall below freezing.

## WATER PRESSURE

**A cold water supply.** The water pressure must be between 20 and 120 psi on models without a water filter and between 40 and 120 psi on models with a water filter.

If a **reverse osmosis water filtration system** is connected to your cold water supply, this water line installation is not covered by the refrigerator warranty. Follow the following instructions carefully to minimize the risk of expensive water damage.

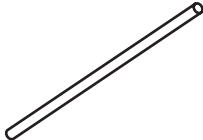
If a **reverse osmosis water filtration system** is connected to your cold water supply, the water pressure to the reverse osmosis system needs to be a minimum of 40 to 60 psi (2.8 kgf/cm<sup>2</sup> ~ 4.2 kgf/cm<sup>2</sup>) which is the pressure required to fill a 7 oz cup in 2 - 3 seconds.

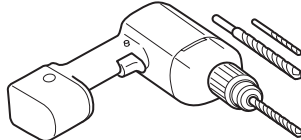
If the water pressure from the reverse osmosis system is less than 21 psi or 1.5 kgf/cm<sup>2</sup> (takes more than 4.0 sec to fill a cup of 7 oz capacity):

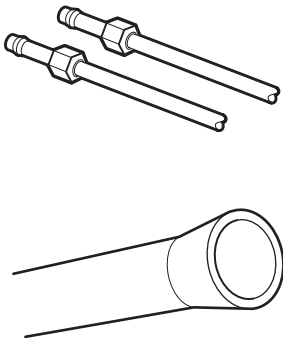
- Check to see if the sediment filter in the reverse osmosis system is blocked. Replace the filter if necessary.
- Allow the storage tank on the reverse osmosis system to refill after heavy usage.
- If the issue concerning water pressure from reverse osmosis remains, call a licensed, qualified plumber.
- All installations must be in accordance with local plumbing code requirements.

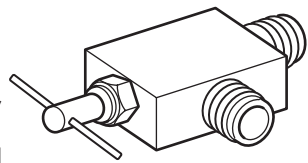
**⚠CAUTION:** Wear eye protection during installation to prevent injury.

## WHAT YOU WILL NEED

- **Copper Tubing**, 1/4 in. outer diameter, to connect the refrigerator to the water supply. Be sure both ends of the tubing are cut square. 
- To determine how much tubing you need: measure the distance from the water valve on the back of the refrigerator to the water supply pipe. Then, add 8 feet (2.4 m). Be sure there is sufficient extra tubing (about 8 feet [2.4 m] coiled into 3 turns of about 10 in. [25 cm] diameter) to allow the refrigerator to move out from the wall after installation.

- **Power drill.**
- **1/2 in. or adjustable wrench.**
- **Flat blade and Phillips head screwdrivers.**
- **Two 1/4 in. outer diameter compression nuts and 2 ferrules (sleeves)** to connect the copper tubing to the shutoff valve and the refrigerator water valve. 

- If your existing copper water line has a flared fitting at the end, you will need an **adapter** (available at plumbing supply stores) to connect the water line to the refrigerator **OR** you can cut off the flared fitting with a tube cutter and then use a compression fitting. 

- **Shutoff valve to connect to the cold water line.** The shutoff valve should have a water inlet with a minimum inside diameter of 5/32in. at the point of connection to the COLD WATER LINE. Saddle-type shutoff valves are included in many water supply kits. Before purchasing, make sure a saddle-type valve complies with your local plumbing codes. 

**NOTE:** A Self Piercing Saddle Type Water Valve should not be used.

INSTALLATION INSTRUCTIONS

**⚠ WARNING**

**Electrical Shock Hazard**

When using any electrical device (such as a power drill) during installation, be sure the device is battery powered, double insulated or grounded in a manner that will prevent the hazard of electric shock.

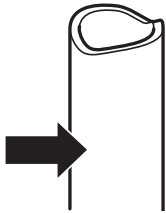
Install the shutoff valve on the nearest frequently used drinking water line.

**1. SHUT OFF THE MAIN WATER SUPPLY**

Turn on the nearest faucet to relieve the pressure on the line.

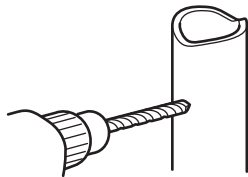
**2. CHOOSE THE VALVE LOCATION**

Choose a location for the valve that is easily accessible. It is best to connect into the side of a vertical water pipe. When it is necessary to connect into a horizontal water pipe, make the connection to the top or side, rather than at the bottom, to avoid drawing off any sediment from the water pipe.



**3. DRILL THE HOLE FOR THE VALVE**

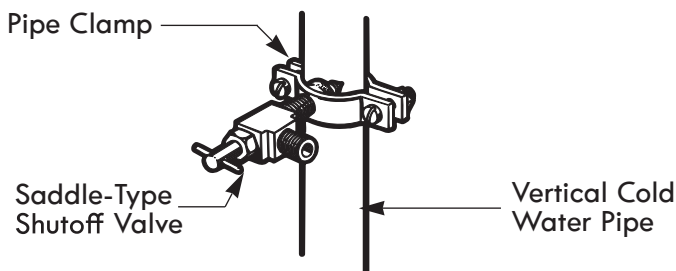
Drill a 1/4 in. hole in the water pipe using a sharp bit. Remove any burrs resulting from drilling the hole in the pipe. Be careful not to allow water to drain into the drill. Failure to drill a 1/4 in. hole may result in reduced ice production or smaller cubes.



**NOTE:** The hookup line cannot be white, plastic tubing. Licensed plumbers must use only copper tubing NDA tubing #49595 or 49599 or Cross Link Polyethylene (PEX) tubing.

**4. FASTEN THE SHUTOFF VALVE**

Fasten the shutoff valve to the cold water pipe with the pipe clamp.

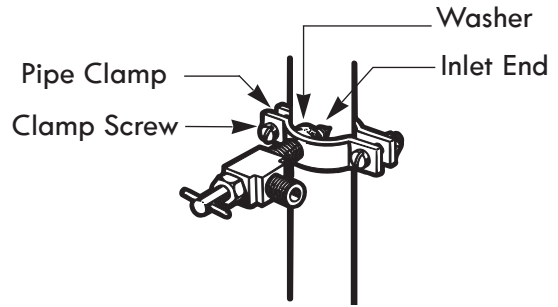


**NOTE:** Commonwealth of Massachusetts Plumbing Codes 248CMR shall be adhered to. Saddle valves are illegal and use is not permitted in Massachusetts. Consult with your licensed plumber.

**5. TIGHTEN THE PIPE CLAMP**

Tighten the clamp screws until the sealing washer begins to swell.

**NOTE:** Do not overtighten clamp or you may crush the tubing.



**6. ROUTE THE TUBING**

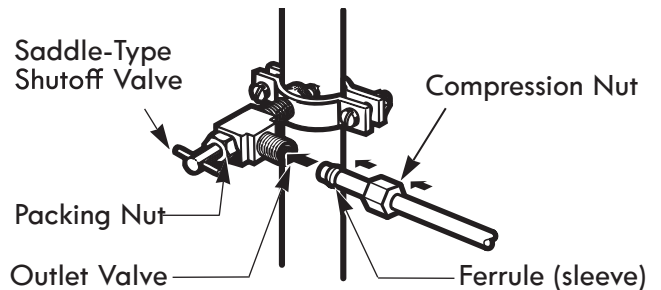
Route the tubing between the cold water line and the refrigerator.

Route the tubing through a hole drilled in the wall or floor (behind the refrigerator or adjacent base cabinet) as close to the wall as possible.

**NOTE:** Be sure there is sufficient extra tubing (about 8 feet coiled into 3 turns of about 10 in. diameter) to allow the refrigerator to move out from the wall after installation.

**7. CONNECT THE TUBING TO THE VALVE**

Place the compression nut and ferrule (sleeve) for copper tubing onto the end of the tubing and connect it to the shutoff valve. Make sure the tubing is fully inserted into the valve. Tighten the compression nut securely.



**NOTE:** Commonwealth of Massachusetts Plumbing Codes 248CMR shall be adhered to. Saddle valves are illegal and their use is not permitted in Massachusetts. Consult with your licensed plumber.

**8. FLUSH OUT THE TUBING**

Turn the main water supply on and flush out the tubing until the water is clear.

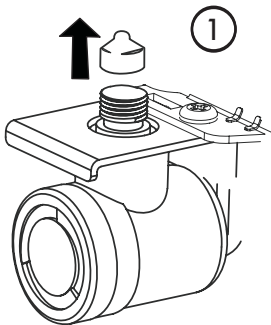
Shut the water off at the water valve after about one quart of water has been flushed through the tubing.



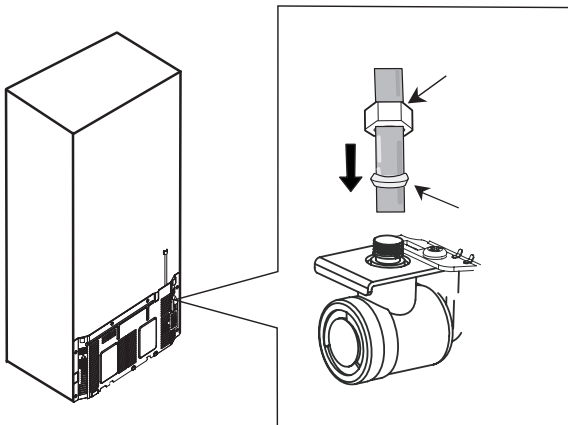
**9. CONNECT THE TUBING TO THE REFRIGERATOR**

**NOTE:** Before making the connection to the refrigerator, be sure that the refrigerator power cord is not plugged into the wall outlet.

- 1) Remove the ring plug (1) from the valve located at the top of such device.



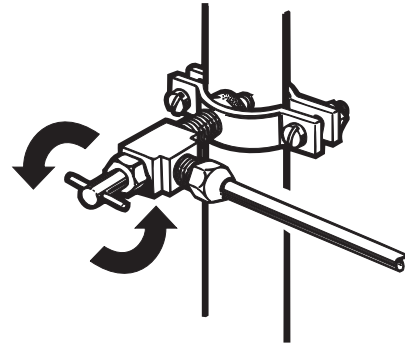
- 2) Place compression nut and the ferule at the end of the pipeline. Insert pipeline into the connection valve as far as possible. Hold tightly while holding pipeline.



- 3) Hold on to the pipe from the handles or grabbers located behind the refrigerator, loosening first the bolt holding the handle. Afterwards, insert pipe into the hole and tighten bolt to finalize.

**10. TURN THE WATER ON AT THE SHUTOFF VALVE**

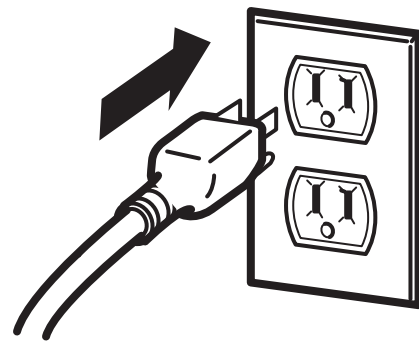
Tighten any connections that leak.



**CAUTION:** Check to see if leaks occur at the water line connections.

**11. PLUG IN THE REFRIGERATOR**

Arrange the coil of tubing so that it does not vibrate against the back of the refrigerator or against the wall. Push the refrigerator back to the wall.



**12. START THE ICEMAKER**

Set the icemaker power switch to the **ON** position. The icemaker will not begin to operate until it reaches its operating temperature of 15°F (-9°C) or below. It will then begin operation automatically if the icemaker power switch is in the **ON (I)** position.

# TROUBLESHOOTING GUIDE

## UNDERSTANDING SOUNDS YOU MAY HEAR

Your new refrigerator may make sounds that your old one did not make. Most of the new sounds are normal. Hard surfaces, like the floor, walls and cabinets, can make the sounds seem louder than they actually are. The following describes the kinds of sounds you may hear and what may be causing them.

### Clicking:

The defrost control will click when the automatic defrost cycle begins and ends. The thermostat control (or refrigerator control, depending on the model) will also click when cycling on and off.

### Rattling:

Rattling noises may come from the flow of refrigerant, the water line, or items stored on top of the refrigerator.

### Whooshing:

- Evaporator fan motor circulating the air through the refrigerator and freezer compartments.
- Air being forced over the condenser by the condenser fan.
- Ice compartment fan in the freezer on the left side of the refrigerator when the doors are open.

### Gurgling:

As each cycle ends, you may hear a gurgling sound caused by the refrigerant flowing through the cooling system.

### Popping:

Contraction and expansion of the inside walls.

### Sizzling:

Water dripping on the defrost heater during a defrost cycle.

### Vibrating Noise:

If the side or back of the refrigerator is touching a cabinet or wall, some of the normal vibrations may make an audible sound. To eliminate the noise, make sure that the sides and back cannot vibrate against any wall or cabinet.

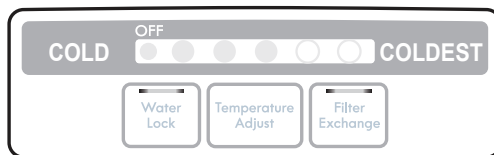
### Dripping:

Water running into the drain pan during the defrost cycle.

### Pulsating or High-Pitched Sound:

Your refrigerator is designed to run more efficiently to keep your food items at the desired temperature. The high efficiency compressor may cause your new refrigerator to run longer than your old one, but is still more energy efficient than previous models. While the refrigerator is running, it is normal to hear a pulsating or high-pitched sound.

Problem	Possible Causes	Solutions
Refrigerator is not cooling.	The power supply cord is unplugged.	Firmly plug the cord into a live outlet with proper voltage (see <b>Electrical &amp; Grounding Requirements</b> ).
	A household fuse has blown or a circuit breaker has tripped.	Replace the fuse or reset the circuit breaker. If the problem persists, contact an electrician.
	The refrigerator control is set to the OFF position.	Refer to the <b>Setting the Controls</b> section.
	The refrigerator is in the defrost cycle.	Wait about 30 minutes for defrost cycle to end.
	The OFF light is illuminated.	<p>The refrigerator is in DEMO mode. The Demo Mode disables the cooling system and only the lamps and display will work normally.</p> <p>To disable Demo Mode, press the TEMPERATURE ADJUST button until you set the desired temperature level. When demo mode is deactivated, the OFF light will turn off.</p>



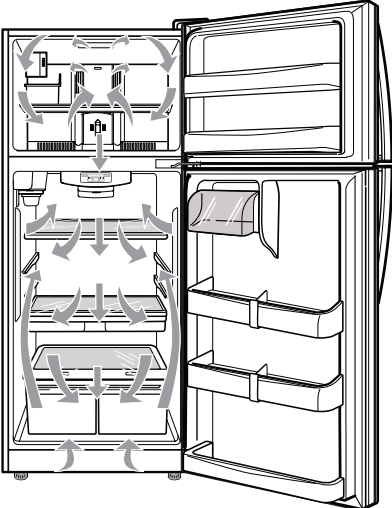
Problem	Possible Causes	Solutions
Lights do not work.	The power supply cord is unplugged.	Firmly plug the cord into a live outlet with proper voltage (refer to <b>Electrical &amp; Grounding Requirements</b> ).
	An LED light has malfunctioned.	Before proceeding to replace LED, unplug the refrigerator or turn off power at the circuit breaker or fuse box.  <b>NOTE:</b> The refrigerator and freezer compartment lamps are LED interior lighting, and service should only be performed by a qualified technician.
Vibration or rattling noise.	The refrigerator is not resting solidly on the floor.	Floor is weak or uneven or leveling legs need adjusting. See the <b>Installation</b> section for leveling instructions.
Compressor seems to run too much.	The refrigerator that was replaced was an older model.	Modern refrigerators require more operating time but use less energy due to more efficient technology.
	The room temperature is warmer than normal.	The compressor will run longer under warm conditions. At normal room temperatures (70°F) expect your compressor to run about 40% to 80% of the time. Under warmer conditions, expect it to run even more often. The refrigerator should not be operated in surrounding temperatures above 110°F.
	The door is opened often or a large amount of food has just been added.	Adding food and opening the door warms the refrigerator, requiring the compressor to run longer in order to cool the refrigerator back down. In order to conserve energy, try to get everything you need out of the refrigerator at once, keep food organized so it is easy to find, and close the door as soon as the food is removed. (Refer to the <b>Food Storage Guide</b> .)
	The refrigerator was recently plugged in and the refrigerator control was set correctly.	The refrigerator will take up to 24 hours to cool completely.
	The refrigerator control is not set correctly for the surrounding conditions.	See the <b>Adjusting Control Settings</b> section.
	The doors are not closed completely.	Firmly push the doors shut. If they will not shut all the way, see “Doors will not close completely” in the <b>Troubleshooting</b> section.
	The back cover is dirty.	This prevents air transfer and makes the motor work harder. Clean the back cover. Refer to the <b>Care and Cleaning</b> section.

## TROUBLESHOOTING GUIDE

Problem	Possible Causes	Solutions
Doors will not close completely.	The refrigerator is not level.	See the <b>Leveling and Door Alignment</b> section.
	Food packages are blocking the door open.	Rearrange food containers to clear door and door shelves.
	The ice bin, crisper cover, pans, shelves, door bins or baskets are out of position.	Push bins all the way in and put crisper cover, pans, shelves and baskets into their correct positions. See the <b>Using Your Refrigerator</b> section for more information.
	The gaskets are sticking.	Clean gaskets and the surfaces that they touch. Rub a thin coat of appliance polish or kitchen wax on the gaskets after cleaning.
	The refrigerator wobbles or seems unstable.	Level the refrigerator. Refer to the <b>Leveling and Door Alignment</b> for more information.
	The doors were removed during product installation and not properly replaced.	Remove and replace the doors according to the <b>Removing and Replacing Refrigerator Handles and Doors</b> section, or call a qualified technician.
Frost or ice crystals on frozen food.	The door is not closing properly.	See “Doors will not close completely” in the <b>Troubleshooting</b> section.
	The door is opened often.	When the door is opened, warm, humid air is allowed in the freezer, resulting in frost.
Ice has bad taste or odor.	The icemaker was recently installed.	Discard the first few batches of ice to avoid discolored or bad tasting ice.
	The ice has been stored for too long.	Throw away old ice and make a new supply.
	The food has not been wrapped tightly in either compartment.	Rewrap foods since odors may migrate to the ice if food is not wrapped properly.
	The water supply contains minerals such as sulfur.	A water filter may need to be installed to eliminate taste and odor problems.
	The interior of the refrigerator needs cleaning.	See <b>Care and Cleaning</b> section for more information.
	The ice storage bin needs cleaning.	Empty and wash bin. Discard old cubes.
There is water in the defrost drain pan.	The refrigerator is defrosting.	The water will evaporate. It is normal for water to drip into the defrost pan.
	It is more humid than normal.	Expect that the water in the defrost pan will take longer to evaporate. This is normal when it is hot or humid.

Problem	Possible Causes	Solutions
The refrigerator seems to make too much noise.	The sounds may be normal for your refrigerator.	Refer to the <b>Understanding Sounds You May Hear</b> section for more information.
The icemaker is not producing ice or not enough ice.	New installation.	Wait 12 to 24 hours after icemaker installation for ice production to begin. Wait 72 hours for full ice production.
	The refrigerator is not connected to a water supply or the supply shutoff valve is not turned on.	Connect refrigerator to the water supply and turn water shutoff valve fully open.
	Reverse osmosis water filtration system is connected to your cold water supply.	Reverse osmosis filtration systems can reduce the water pressure below the minimum amount and result in icemaker issues. (Refer to <b>Water Pressure</b> section.)
	Kink in the water source line.	A kink in the line can reduce water flow. Straighten the water source line.
	Ice demand has exceeded storage capacity.	The icemaker will produce approximately 100 cubes in a 24 hour period. <b>NOTE:</b> An extra ice bucket is provided in the freezer section for additional storage capacity.
	The icemaker is not turned on.	Locate the icemaker ON/OFF switch and confirm it is in the <b>ON (I)</b> position.
	There is something on the ice-detecting sensor.	Foreign substances or frost on the ice-detecting sensor can interrupt ice production. Make sure the sensor area is clean at all times for proper operation.
	The temperature setting for the freezer is too warm.	The recommended temperature for the freezer compartment for normal ice production is 0°F. If the freezer temperature is warmer, ice production will be affected.
	The doors are opened often.	If the doors of the unit are opened often, ambient air will warm the refrigerator which will prevent the unit from maintaining the set temperature. Lowering the refrigerator temperature can help, as well as not opening the doors as frequently.
	The doors are not closing properly.	If the doors are not properly closed, ice production will be affected. See “Doors will not close completely” in the <b>Troubleshooting</b> section for more information.
Refrigerator or Freezer section is too cold.	Controls are not set correctly for conditions.	If the temperature is too cold, raise the temperature setting one increment at a time (refer to the <b>Setting the Controls</b> section). When changing control settings, wait 24 hours before making additional adjustments.

## TROUBLESHOOTING GUIDE

Problem	Possible Causes	Solutions
Temperature is too warm or there is interior moisture buildup.	The air vents are blocked. Cold air circulates from the freezer to the fresh food section and back again through air vents in the wall dividing the two sections.	Locate air vents by using your hand to sense airflow and move all packages that block vents and restrict airflow. (See air flow diagram below.) 
	The doors are opened often.	Opening the door warms the refrigerator, requiring the compressor to run longer in order to cool the refrigerator back down. In order to conserve energy, try to get everything you need out of the refrigerator at once, keep food organized so it is easy to find, and close the door as soon as the food is removed.
	The control is not set correctly for the surrounding conditions.	If the temperature is too warm, change the setting one increment at a time. Refer to the <b>Setting the Controls</b> section. Wait 24 hours for temperatures to stabilize or even out.
	A large amount of food has just been added to the refrigerator or freezer.	Adding food warms the refrigerator. It can take a few hours for the refrigerator to return to normal temperature.
	The food is not packaged correctly.	Wrap food tightly and wipe off damp containers prior to storing in the refrigerator to avoid moisture accumulation. If necessary, repackage food according to the guidelines in the <b>Food Storage Guide</b> section.
	The doors are not closing completely.	See “Doors will not close completely” in the <b>Troubleshooting</b> section.
	The weather is humid.	In humid weather, air carries moisture into the refrigerator when the doors are opened. Increased humidity in the freezer or refrigerator compartments can lead to frost or condensation.
	An automatic defrost cycle was completed.	It is normal for droplets to form on the interior back wall after the refrigerator automatically defrosts.

Problem	Possible Causes	Solutions
The doors are difficult to open.	The gaskets are dirty or sticky.	Clean the gaskets and the surfaces that they touch. Rub a thin coat of appliance polish or kitchen wax on the gaskets after cleaning.
	The door is reopened within a short time after having been opened.	When you open the door, warmer air enters the refrigerator. As the warm air cools, it can create a vacuum. If the door is hard to open, wait one minute to allow the air pressure to equalize, then see if it opens more easily.
Frozen food in refrigerator compartment.	The temperature control in the refrigerator compartment is set too cold.	Press the <b>Temperature Adjust</b> button to set the refrigerator compartment to a warmer temperature.
	Refrigerator is installed in a cold location.	When room temperature is below 41°F (5°C), food can freeze. The refrigerator should not be operated in temperatures below 55°F (13°C).
	Food with a high water content was placed too close to the cold air discharge vent.	Place food with a high water content toward the front of the refrigerator.



# Get it fixed, at your home or ours!

## Your Home

For troubleshooting, product manuals and expert advice:



[www.managemylife.com](http://www.managemylife.com)

---

For repair – **in your home** – of **all** major brand appliances, lawn and garden equipment, or heating and cooling systems, **no matter who made it, no matter who sold it!**

For the replacement parts, accessories and owner's manuals that you need to do-it-yourself.

For Sears professional installation of home appliances and items like garage door openers and water heaters.

**1-800-4-MY-HOME<sup>®</sup>** (1-800-469-4663)

Call anytime, day or night (U.S.A. and Canada)

[www.sears.com](http://www.sears.com)    [www.sears.ca](http://www.sears.ca)

---

## Our Home

For repair of carry-in items like vacuums, lawn equipment, and electronics, call anytime for the location of your nearest

**Sears Parts & Repair Service Center**

**1-800-488-1222** (U.S.A.)    **1-800-469-4663** (Canada)

[www.sears.com](http://www.sears.com)    [www.sears.ca](http://www.sears.ca)

---

To purchase a protection agreement on a product serviced by Sears:

**1-800-827-6655** (U.S.A.)    **1-800-361-6665** (Canada)

---

Para pedir servicio de reparación a domicilio, y para ordenar piezas:

**1-888-SU-HOGAR<sup>®</sup>**

(1-888-784-6427)

[www.sears.com](http://www.sears.com)

Au Canada pour service en français:

**1-800-LE-FOYER<sup>MC</sup>**

(1-800-533-6937)

[www.sears.ca](http://www.sears.ca)

The Sears logo, featuring the word "Sears" in a large, stylized, serif font with a shadow effect.