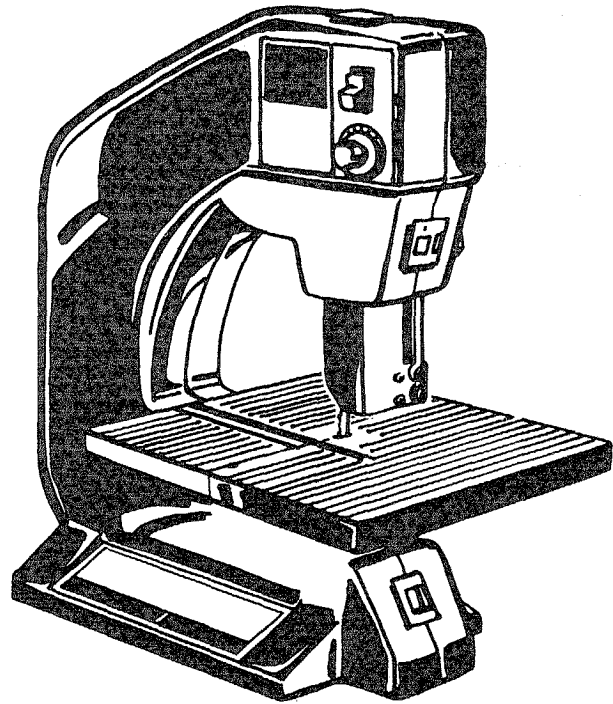


SEARS

OWNERS
MANUAL

**MODEL NO.
244200**

CAUTION:
Read Rules for
Safe Operation
and Instructions
Carefully



SEARS

CRAFTSMAN®

10" BAND SAW

Introduction
Operation
Maintenance
Repair Parts



SOLD BY SEARS, ROEBUCK AND CO., Chicago, IL 60684 U.S.A.

PART NO. SP4998

PRINTED IN U.S.A.

FULL ONE YEAR WARRANTY ON CRAFTSMAN 10" BAND SAW

If this CRAFTSMAN 10" BAND SAW fails due to a defect in material or workmanship within one year from date of purchase, Sears will repair it free of charge. This warranty applies only while this product is in use in the United States. WARRANTY SERVICE IS AVAILABLE BY SIMPLY RETURNING THE TOOL TO THE NEAREST SEARS STORE OR SERVICE CENTER THROUGHOUT THE UNITED STATES.

This warranty gives you specific legal rights and you may also have other rights which vary from state to state.

SEARS, ROEBUCK AND CO., DEPT. 698/731A SEARS TOWER, CHICAGO, IL 60684

⚠ WARNING

"READ ALL INSTRUCTIONS" Failure to follow the SAFETY RULES listed BELOW, and other basic safety precautions, may result in serious personal injury.

GENERAL SAFETY RULES

- 1. KEEP WORK AREAS CLEAN.** Cluttered areas and benches invite accidents.
- 2. AVOID DANGEROUS ENVIRONMENT.** Don't use power tools in damp or wet locations. Keep work area well lit. Do not expose power tools to rain. Do not use tool in presence of flammable liquids or gases.
- 3. KEEP CHILDREN AWAY.** Do not let visitors contact tool or extension cord. All visitors should be kept away from work area.
- 4. STORE IDLE TOOLS.** When not in use, tools should be stored in dry, high or locked up place—out of the reach of children.
- 5. DON'T FORCE TOOL.** It will do the job better and safer at the rate for which it was designed.
- 6. USE THE RIGHT TOOL.** Don't force small tool or attachment to do the job of a heavy-duty tool. Don't use tool for purpose not intended—for example; don't use circular saw for cutting tree limbs or logs.
- 7. DRESS PROPERLY.** Do not wear loose clothing or jewelry. They can be caught in moving parts. Rubber gloves and non-skid footwear are recommended when working outdoors. Wear protective hair covering to contain long hair.
- 8. USE SAFETY GLASSES.** Also face or dust mask if cutting operation is dusty.
- 9. DON'T ABUSE CORD.** Never carry tool by cord or yank it to disconnect from receptacle. Keep cord from heat, oil, and sharp edges.
- 10. SECURE WORK.** Use clamps or a vise to hold work. It's safer than using your hand and it frees both hands to operate tool.
- 11. DON'T OVERREACH.** Keep proper footing and balance at all times.
- 12. MAINTAIN TOOLS WITH CARE.** Keep tools sharp and clean for better and safer performance. Follow instructions for lubricating and changing accessories. Inspect tool cords periodically and if damaged, have repaired by authorized service facility. Inspect extension cords periodically and replace if damaged. Keep handles dry, clean and free from oil and grease.
- 13. DISCONNECT TOOLS.** When not in use; before servicing; when changing blades, bits, cutters, etc.
- 14. REMOVE ADJUSTING KEYS AND WRENCHES.** Form habit of checking to see that keys and adjusting wrenches are removed from tool before turning it on.
- 15. AVOID ACCIDENTAL STARTING.** Don't carry plugged in tool with finger on switch. Be sure switch is OFF when plugged in.
- 16. OUTDOOR USE EXTENSION CORDS.** When tool is used outdoors, use only extension cords suitable for use outdoors and marked with suffix W-A (for UL), or W (for CSA).
- 17. AVOID GASEOUS AREAS.** Do not operate portable electric tools in gaseous or explosive atmospheres. Motors in these tools normally spark, and the sparks might ignite fumes.
- 18. DO NOT ALTER OR MISUSE TOOL.** These tools are precision built. Any alteration or modification not specified is misuse and may result in a dangerous condition.
- 19. GUARD AGAINST ELECTRIC SHOCK.** Prevent body contact with grounded surfaces. For example; pipes, radiators, ranges, refrigerator enclosures.
- 20. STAY ALERT.** Watch what you are doing. Use common sense. Do not operate tool when you are tired.
- 21. CHECK DAMAGED PARTS.** Before further use of the tool, a guard or other part that is damaged should be carefully checked to determine that it will operate properly and perform its intended function. Check for alignment of moving parts, binding of moving parts, breakage of parts, mounting, and any other conditions that may affect its operation. A guard or other part that is damaged should be properly repaired or replaced. Have defective switches replaced. Do not use tool if switch does not turn it on or off.
- 22. ⚠ WARNING** Before connecting the tool to a power source (receptacle, outlet, etc.) be sure the voltage supplied is the same as that specified on the nameplate of the tool. A power source with voltage greater than that specified for the tool can result in **SERIOUS INJURY** to the user—as well as damage to the tool. If in doubt, **DO NOT PLUG IN THE TOOL.** Using a power source with voltage less than the nameplate rating is harmful to the motor.

"SAVE THESE INSTRUCTIONS"

BAND SAW SAFETY RULES

- **⚠ WARNING** For your own safety, do not attempt to operate your band saw until it is completely assembled and installed according to the instructions . . . and until you read and understand the following:

- GENERAL SAFETY INSTRUCTIONS . . . See Page 2
- BAND SAW SAFETY RULES See Page 3
- GETTING TO KNOW YOUR BAND SAW See Page 6
- OPERATIONS See Page 9
- ADJUSTMENTS See Pages 12 & 13
- MAINTENANCE See Page 10

STABILITY OF SAW

- YOUR BAND SAW MUST BE BOLTED SECURELY TO A STAND OR WORK BENCH. In addition, if there is any tendency for the band saw to tip over or move during certain operations such as cutting long heavy boards, bolt your band saw stand or workbench to the floor.

LOCATION

- This band saw is intended for indoor use only.

PROTECTION: EYES, HANDS, FACE, EARS AND BODY

- Wear safety goggles and a face shield if operation is dusty. Wear ear plugs or muffs during extended periods of operation. Do not wear gloves . . . roll long sleeves above the elbow.
- Do not cut pieces of material too small to hold by hand.
- Avoid awkward hand positions where a sudden slip could cause a hand to move into the blade.
- Never turn your band saw "ON" before clearing the table of all Objects (tools, scraps of wood, etc.) except for the workpiece and related feed or support devices for the operation planned.
- Make sure the blade runs downward toward the table. Always adjust tracking wheel correctly so that the blade does not run off the wheels.
- Always adjust blade tension correctly.
- ALWAYS adjust the upper blade guide and blade guard to just clear the workpiece to protect the operator, to keep blade breakage to a minimum, and to provide maximum support for blade.

- When cutting a large piece of material, make sure it is supported at table height.
- Hold the work firmly against the table.
- Do not feed the material too fast while cutting. Only feed the material fast enough so that the blade will cut. Keep fingers away from the blade.
- Use caution when cutting off material which is irregular in cross section which could pinch the blade before the cut is completed. A piece of molding for example must lay flat on the table and not be permitted to rock while being cut.
- Use caution when cutting off round material such as dowel rods, or tubing. They have a tendency to roll while being cut causing the blade to "bite". Always use a "V" block, or clamp round material to a miter gauge.
- When backing up the workpiece, the blade may bind in the cut this is usually caused by sawdust clogging up the cut or because the blade comes out of the guides. If this happens:
Turn off the band saw . . . remove plug from power source outlet . . . remove cover from band saw. Insert a screwdriver or wedge in the cut . . . rotate the wheels by hand while backing up the workpiece.
- Never leave the band saw work area with the power on, before the machine has come to a complete stop, or without removing and storing the switch key.
- Never operate band saw with cover removed.
- Do not perform layout, assembly, or setup work on the table while the cutting tool is rotating.
- Turn saw "off" and remove plug from power supply outlet before installing or removing an accessory or attachment.
- Should any part of this band saw be missing, bent, or fail in any way, or any electrical component fail to perform properly, shut off power switch and remove plug from power supply outlet. Replace damaged, missing, and/or failed parts before resuming operation.

THINK SAFETY

- Safety is a combination of operator common sense and alertness whenever the band saw is in operation.
- **⚠ WARNING** Do not allow familiarity (gained from frequent use of your band saw) to become commonplace. Always remember that a careless fraction of a second is sufficient to inflict severe injury.

INTRODUCTION

DOUBLE INSULATED TOOLS WITH TWO-PRONG PLUGS

Your SEARS tool is equipped with a two wire cord and two prong plug which can be used in standard 120 Volt A.C. outlets.

No grounding of the tool is necessary. The housing is

a dielectric material. This helps protect you in case of failure of the standard functional insulation within the electrical system. Use only identical replacement parts when service is required.

WARNING Use of damaged cords can shock, burn or electrocute.

EXTENSION CORDS

Replace damaged or worn cords immediately. The table shows the correct size to use, depending on cord length and nameplate amperage rating of tool. If in doubt, use the next heavier gauge. An undersized cord will cause a drop in line voltage, resulting in loss of power and over-heating. **NOTE:** The smaller the gauge number, the heavier the cord. (Extension Cords are available)

Recommended Minimum Gauge for Cord Extensions for Portable Electric Tools.

Name Plate Amps.	Wire Gauge Chart A.W.G.				
	120V 240V	Cord Length in Feet			
		25 50	50 100	100 200	150 300
5-6		18	16	14	12
6-8		18	16	12	10
8-10		18	14	12	10
10-12		16	14	10	8
12-14		16	12	10	8



The operation of any Saw can result in foreign objects being thrown into the eyes, which can result in severe eye damage. Always wear safety glasses or eye shields before commencing power tool operation. We recommend Wide Vision Safety Mask for use over spectacles or standard safety glasses, available at Sears Retail or Catalog Stores.

IMPORTANT: Your Band Saw is Preset at the factory for a 1/4" woodcutting blade (included). No thrust roller or tracking adjustment should be necessary if your initial use is with this blade.

Contents

GENERAL SAFETY RULES	2	Attaching The Blade	8
BAND SAW SAFETY RULES	3	Tracking The Blade	8
DOUBLE INSULATED TOOLS & EXTENSION CORDS	4	Preparing The Table	9
UNPACKING CONTENTS	5	OPERATION	9
List of Loose Parts	5	Pre-Operation Check List	9
Tools Needed	5	Using Your Band Saw	10
GETTING TO KNOW YOUR BAND SAW	6	Sawing Tips	10
Guide Bar Lock Knob	6	MAINTENANCE	10
Thrust Roller Adjustment	6	ACCESSORIES	11
Table Lock Knob	6	Trouble Shooting	11
Tilt Scale	6	ADJUSTMENTS	12
Blade Guides	6	Adjusting Lower Blade Guides	12
Tracking Adjustment Knob	6	Adjusting Lower Thrust Roller	12
Vacuum Cleaner Hook-Up	6	Adjusting Upper Blade Guide Assembly	12
Miter Gauge & Miter Gauge Extension	6	Adjusting Upper Blade Guides	13
Ripping Slot & Housing Cover Latches	7	Adjusting Upper Thrust Roller	13
On-Off Switch	7	Adjusting The Table Square To Blade	13
Variable Speed Control	7	Correcting The Blade	14
ASSEMBLY	7	Parts Diagram	15
Mounting Band Saw To Workbench	7		
Installing Upper and Lower Thrust Rollers	8		



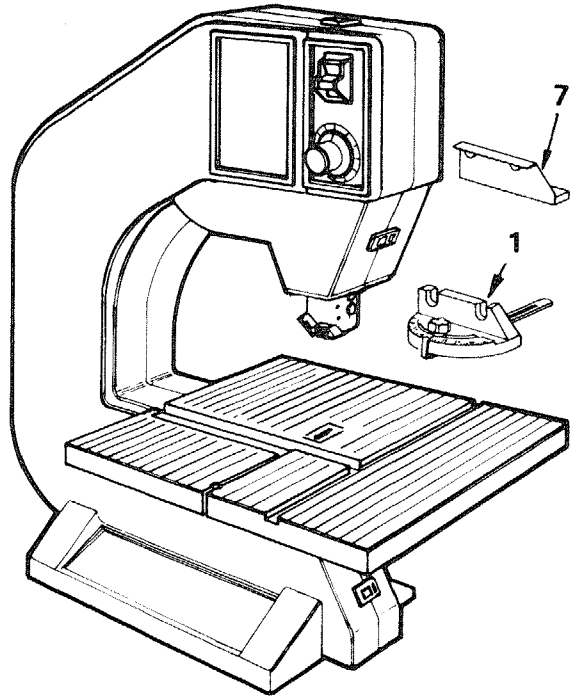
UNPACKING CONTENTS

The Craftsman model 113.244200 Band Saw is shipped complete in one carton.

Separate all parts from packing materials and check each one with the illustration and the list of Loose Parts to make certain all items are accounted for, before discarding any packing material.

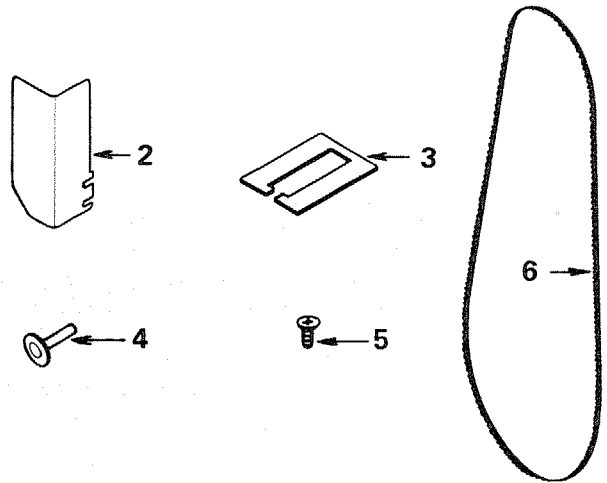
If any parts are missing, do not attempt to assemble the band saw, plug in the power cord or turn the switch on until the missing parts are obtained and are installed correctly.

WARNING For your own safety, never connect plug to power source outlet until all assembly steps are complete, and you have read and understand the safety and operational instructions.

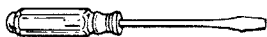


Packages of miscellaneous small parts consisting of the following:

KEY NO.	PART NAME	QTY.
1.	MITER GAUGE	1
2.	BLADE GUARD	1
3.	BLADE INSERT	1
4.	THRUST ROLLER	2
5.	MITER GAUGE SCREW	1
6.	BLADE 1/4" x 62" LONG	1
7.	MITER GAUGE EXTENSION	1



TOOLS NEEDED FOR ASSEMBLY



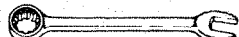
MEDIUM SCREWDRIVER



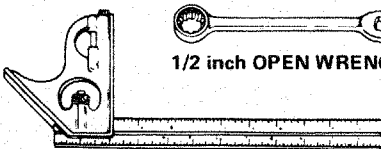
MEDIUM PHILLIPS SCREWDRIVER



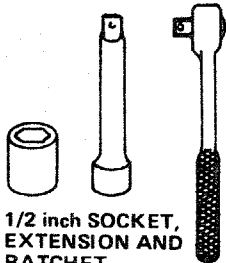
5/32 inch HEX WRENCH



1/2 inch OPEN WRENCH



SMALL COMBINATION SQUARE

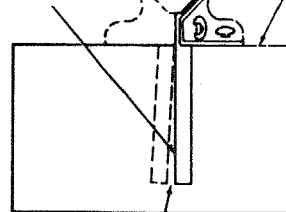


1/2 inch SOCKET, EXTENSION AND RATCHET.

COMBINATION SQUARE MUST BE TRUE

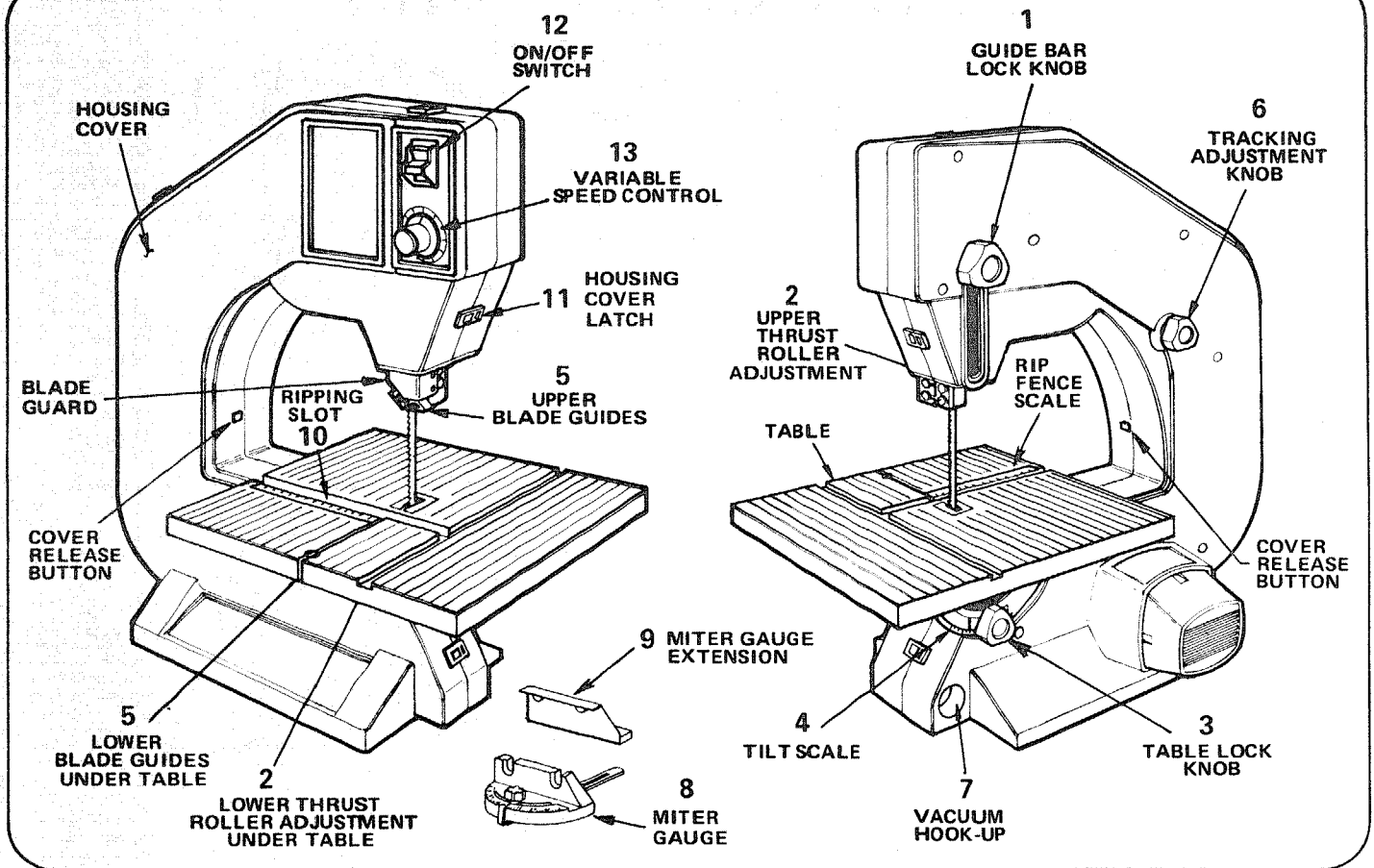
DRAW LIGHT LINE ON BOARD ALONG THIS EDGE.

STRAIGHT EDGE OF BOARD 3/4" THICK. THIS EDGE MUST BE PERFECTLY STRAIGHT.



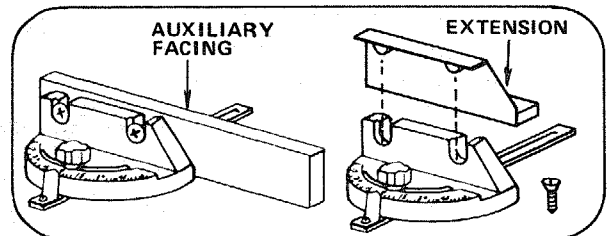
SHOULD BE NO GAP OR OVERLAP HERE WHEN SQUARE IS FLIPPED OVER IN DOTTED POSITION.

GETTING TO KNOW YOUR BAND SAW



1. **GUIDE BAR LOCK KNOB . . .** The upper blade guides should just clear the workpiece while cutting. Always adjust the upper guide assembly and lock the guide bar by tightening the guide bar lock knob before turning on the band saw.
2. **THRUST ROLLER ADJUSTMENT . . .** Turning the adjustment screw moves the thrust roller in or out to support the blade from the rear while cutting.
3. **TABLE LOCK KNOB . . .** Turning the knob allows the table to be tilted and locks it in place.
4. **TILT SCALE . . .** Shows degree table is tilted.
5. **BLADE GUIDES . . .** Supports the blade and keeps it from twisting during operation. An adjustment is necessary when blades are changed or replaced.
6. **TRACKING ADJUSTMENT KNOB . . .** The blade can be tracked by turning the tracking adjustment knob clockwise or counter-clockwise until the blade runs in the approximate center of the tires.
7. **VACUUM HOOK-UP . . .** your band saw is equipped with a vacuum hook-up for convenient sawdust removal. (See Maintenance/Motor Page 10.)

8. **MITER GAUGE . . .** head is locked in position at desired angle for crosscutting or mitering by tightening the lock knob. **ALWAYS LOCK IT SECURELY WHEN IN USE.**



Notches are provided in the miter gauge for attaching an **AUXILIARY FACING** to make it easier to cut long pieces. Be positive facing does not interfere with the proper operation of the saw-blade guard.

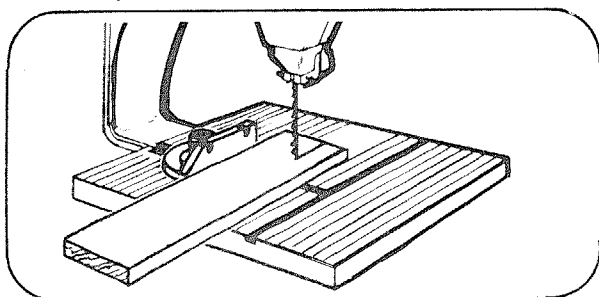
Select a suitable piece of smooth straight wood . . . drill two holes through it and attach it with two No. 3 flat head screws.

NOTE: When bevel crosscutting, attach facing so that it extends to the right of the miter gauge and use the miter gauge in the groove to the right of the blade.

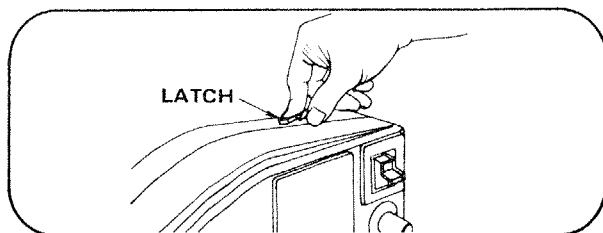
9. **MITER GAUGE EXTENSION . . .** Notches provided in the miter gauge are also for attaching the miter gauge extension. Place extension over miter gauge and snap in place as shown. The

miter gauge extension allows you to lower the blade guard within 1/8" of the material to be cut without any interference from the blade guard.

10. **RIPPING SLOT . . .** Place miter gauge in ripping slot to desired width and tighten screw. (A rip scale is provided for a reference.

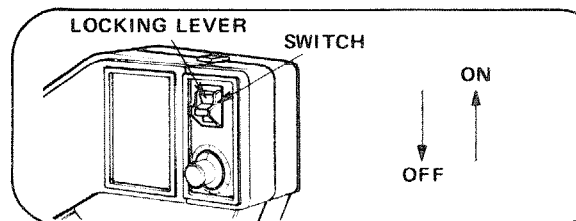


11. **HOUSING COVER LATCHES . . .** There are seven latches to remove the housing cover. To release latches, place your index finger at one end of the latch and gently lift the other end with your thumb. To lock the latch, press down until the open end of the latch snaps securely over the locking tab. Always make sure the latches are securely snapped before turning on the saw.



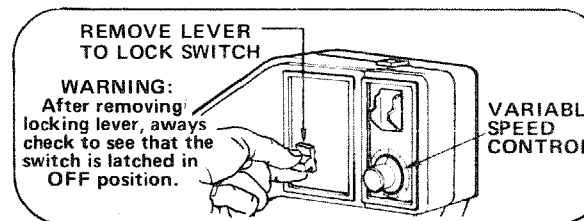
12. **ON-OFF SWITCH . . .** The On-Off Switch has red locking lever which is included on switch. **THIS FEATURE IS INTENDED TO PREVENT UNAUTHORIZED AND POSSIBLE HAZARDOUS USE BY CHILDREN AND OTHERS.**

- A. To **UNLOCK** switch insert **LEVER**. To turn machine **ON** lift **END** of **LEVER** up to **C** position.



- B. To turn machine **OFF** . . . **PUSH** lever down to **OFF** position. Never leave the saw until the cutting tool has come to a complete stop.

- C. To **LOCK** switch in off position remove **LEVER**.



13. **VARIABLE SPEED CONTROL . . .** The band saw is equipped with a variable speed control dial for greater versatility.

To increase speed, rotate the dial clockwise. To decrease the speed turn counter-clockwise. The saw can be turned off at any speed by pushing the ON/OFF lever to off position.

(See Chart on page 10)

ASSEMBLY

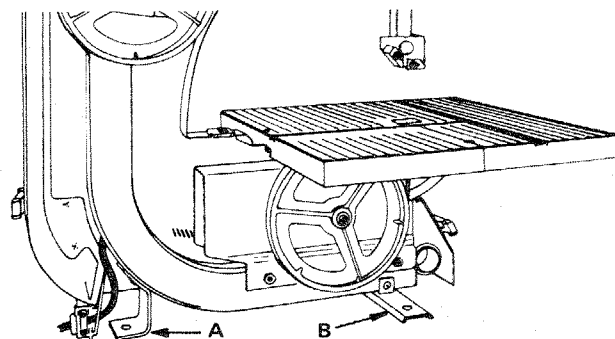
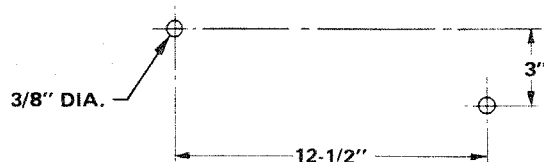
MOUNTING BAND SAW TO WORKBENCH

Your band saw is to be used in a permanent location, it must be fastened securely to a firm supporting surface such as a workbench.

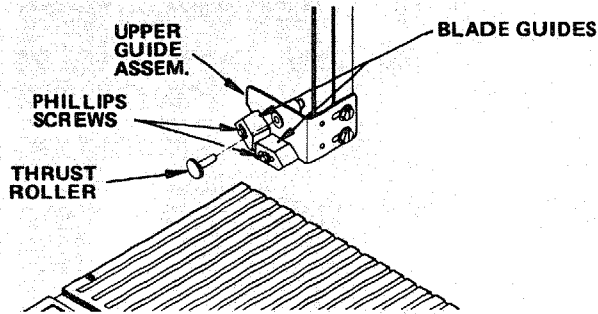
When mounting to a workbench, holes should be drilled through supporting surface of the workbench using dimensions illustrated.

1. Before mounting your band saw, be sure you have access to all sides for assembly and adjustments.
2. Release the latches that secure the band saw cover. Loosen table lock knob, tilt table **PRESS COVER RELEASE BUTTON** and **REMOVE COVER**.
3. Leg A and B must be bolted securely using 5/16" diameter machine screws, lockwashers, and 5/16" hex nuts. Bolts must be of sufficient length to accommodate legs of saw, washers, hex nuts, and thickness of supporting surface.
4. Locate and mark holes where band saw is to be mounted.
5. Drill (2) 3/8" dia. holes through workbench.

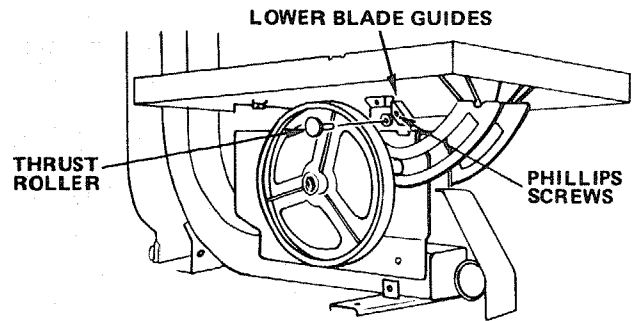
6. Place band saw on workbench aligning holes in foot with holes drilled in workbench.
7. Insert bolts and washers through hole A and B and tighten hex nuts securely.



1. Find a Thrust Roller among loose parts and insert in upper guide assembly.



2. Find a Thrust Roller among loose parts and insert in lower guide assembly.



ATTACHING THE BLADE

1. Remove slotted screw in table.
2. Carefully uncoil the blade holding it at arms length.
NOTE: Your band saw can be used with a 1/8", 1/4", 3/8" or 1/2" wide blades, 62" long.

3. Turn 1/2" tension adjustment nut **CLOCKWISE** until the blade will fit over all three wheels.

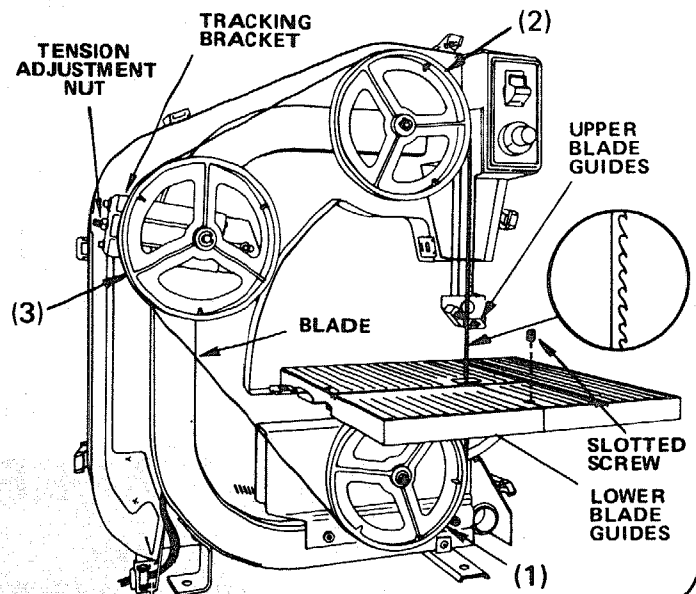
4. Place the blade through the slot in the saw table, with the **TEETH POINTING DOWNWARD** as shown.

NOTE: In some instances the blade may uncoil "Inside Out" and the teeth will be facing down, but away from the operator. See page 14 for corrective action.

5. Place the blade between upper and lower blade guides then over WHEEL (1), (2) and (3) while centering the blade approximately on all three wheels.

6. Turn 1/2" tension adjustment nut **COUNTER CLOCKWISE** until all the tension is on the blade and tension adjustment nut is loose.

7. Turn tension adjustment nut **CLOCKWISE** until nut is finger tight against the tracking bracket, then turn tension adjustment nut **CLOCKWISE 1/4 TURN**.



TRACKING THE BLADE

WARNING To prevent personal injury, NEVER **PLUG IN TOOL** with the housing cover off, or when making adjustments. Also blades are **SHARP . . . HANDLE WITH CARE**.

NOTE: Thrust rollers must be mounted in guide assemblies before attempting to track the blade.

Turn **WHEEL (2)** by hand **CLOCKWISE** a few turns and notice if the blade remains in the approximate center of the tires.

If the blade moves away from the center of the wheels while you are turning it, the blade is not **TRACKING** properly.

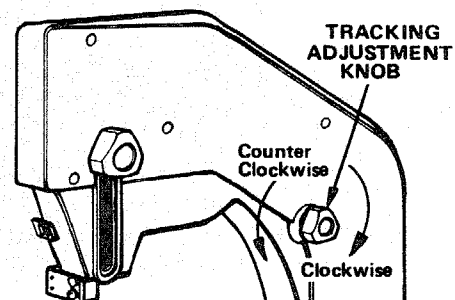
If the **TEETH** of the blade move **TOWARD** you:

- a. Rotate **WHEEL (2)** **CLOCKWISE** by hand, while turning the tracking adjustment knob **CLOCKWISE**

just enough to keep the blade in the approximate center of tires.

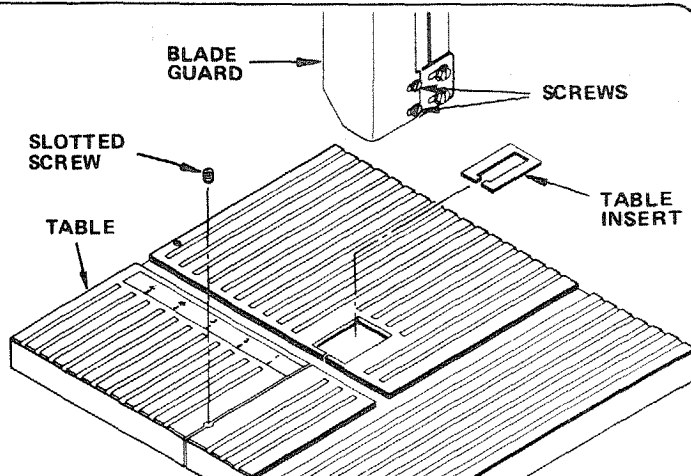
If the **TEETH** of the blade move **AWAY** from you:

- b. Rotate **WHEEL (2)** **CLOCKWISE** by hand, while turning the tracking adjustment knob **COUNTER CLOCKWISE** just enough to keep the blade in the approximate center of tires.



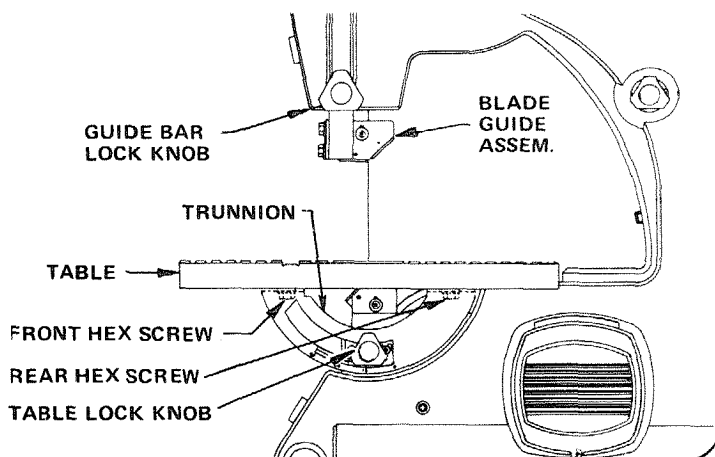
PREPARING THE TABLE

1. Loosen the guide bar lock knob, and lower the blade guide assembly.
2. Attach the blade guard on the upper guide assembly and secure it with two screws.
3. Locate the table insert and place it in the opening in the table.
4. Replace 3/8" slotted screw flush or below the table's surface, while holding both sides flush.
5. The blade should be in the approximate center of slot in insert.



If the blade runs to one side of table insert:

1. Loosen table lock knob and tilt table to 45° and loosen rear 5/16" hex screw that mounts table to trunnion.
2. Return table to 90° and loosen front 5/16" hex screw that mounts table to trunnion.
3. Shift table left or right until the blade is in the approximate center of insert.
4. Securely tighten front screw, tilt table to 45° and securely tighten rear screw.



OPERATION

PRE-OPERATION CHECK LIST

Before operating your Band Saw, check the items listed below to be sure your saw is ready to cut.

1. Band Saw firmly mounted to workbench.
2. Switch OFF.
3. Upper blade guard lowered to within 1/8" of material to be cut.
4. Housing cover closed and locking latches securely snapped in place.
5. Blade Tension and Tracking properly adjusted.
6. Saw table firmly locked in position.
7. Wear safety goggles.

USING YOUR BAND SAW

Your Band Saw is capable of making all types of cuts in a wide variety of materials. A brief description of cutting methods will familiarize you with the basic types of cuts.

CROSSCUTTING

Crosscutting is cutting across the grain of the wood.

Such a cut is often used to shorten lumber such as 2 x 4's.

RIPPING

Ripping is cutting along the grain of the wood. Such a cut is often used to make lumber such as shelving more narrow.

MITER CUTTING

Miter cutting is either ripping or crosscutting at some angle other than 90°. For small pieces use the miter gauge. Miter cuts are often made at 45° for use in picture frames and molding work. The miter gauge is graduated in 5° increments from 0° to 60°.

BEVEL CUTTING

Bevel cutting is either ripping or crosscutting with the saw table tilted at desired angle. Tilt the table by loosening the table lock knob. Set the table to the desired angle using the quadrant and bevel pointer as a guide. Tighten the table lock knob to secure the table.

SCROLLING

Scrolling is the cutting of curved lines. With the 1/8" wide scrolling blade, a variety of intricate designs are possible.

METAL CUTTING

Non-ferrous metal (without iron content) can be cut with a general purpose blade. Ferrous sheet metal should be cut using a metal cutting blade.

SAWING TIPS

1. Whenever possible make a few test cuts in scrap wood to be sure that the saw is properly adjusted.
2. When making finish cuts, position the wood so that the finished side is up. This will prevent the finished surface from splintering.
3. Feed wood directly into the saw teeth. Don't side load the saw blade. This is particularly important when scrolling.
4. If you are cutting a warped board, position it with the concave side DOWN.
5. Never force the wood into the blade. Let the saw do the work.
6. When cutting very small pieces, use a stick to push the wood into the blade.
7. Do not pull material being cut, backward, to prevent the blade from jumping OFF the rollers.
8. For maximum accuracy when using miter gauge, "favor one side of groove in table.

SELECTION CHART

The following chart provides recommendations for blade types, and speeds based on the type of material you want to cut. These speeds are recommended starting points. You should feel free to adjust the speed up or down to find the most efficient cutting speed. The adjusting knob is conveniently referenced to numbers from (1) (low) to (6) (high). After you have determined the best cutting speed for a specific material you can record the reference number for future use.

BLADE	MATERIAL	SPEED
General Purpose Blade	Wood	High
	Plastic Non-Ferrous Metals (Aluminum, Zinc)	Medium Medium to High
Scrolling Blade	Wood	High
	Plastic	Medium
Metal Cutting Blade	Sheet Metal Non-Ferrous Metals	Low to Medium
	DO NOT CUT HARDENED STEELS	

NOTE: Thick non-ferrous metals may require oil or grease on line of cut.

MAINTENANCE

⚠ WARNING For your own safety, turn switch "OFF" and remove plug from power source outlet before maintaining or lubricating your saw.

TIRES

Pitch and sawdust that accumulate on the tires should be removed with a stiff brush or scraped off with a piece of wood. Do not use a sharp knife or any kind of solvent.

When the tires become worn they should be replaced. When replacing the tires, stretch them around the wheels but do not glue them on.

GENERAL

Do not allow pitch to accumulate on the table, blade insert, blade guides, or thrust rollers. Clean them with Craftsman Gum and Pitch Remover.

The cord and the tool should be wiped with a dry clean cloth to prevent deterioration from oil and grease.

⚠ CAUTION Certain cleaning agents and solvents can damage plastic parts. Some of these are: gasoline, carbon tetrachloride, chlorinated cleaning solvents, ammonia and household detergents which contain ammonia. Avoiding use of these and other types of cleaning agents will minimize the possibility of damage.

Apply a thin coat of automobile-type wax on the table so the wood slides easily while cutting. Also apply wax to the inside surfaces of the trunnion.

MOTOR

Frequently vacuum or blow out any sawdust from the motor.

A vacuum hook-up opening is provided if you wish to remove the dust and chips as they are generated. Plug the vacuum cleaner hose into the hole provided. See item 7. on page 6.

⚠ WARNING All repairs, electrical or mechanical, should be attempted only by trained repairman. Contact the nearest Sears Service Center. Use only identical replacement parts, any other may create a hazard.

LUBRICATION

All of the BALL BEARINGS are packed with grease at the factory. They require no further lubrication.

ACCESSORIES

NUMBER	DESCRIPTION	USE
9-26641	62" x 1/4" Blade 6 teeth per inch - regular tooth	solid wood
9-26642	62" x 3/8" Blade 6 teeth per inch - regular tooth	solid wood
9-26645	62" x 1/8" Blade 15 teeth per inch	finishing
9-26646	62" x 1/4" Blade 4 teeth per inch (skip)	general wood/plastic
9-26647	62" x 1/4" Blade 10 teeth per inch	brass/ferrous metals
9-26648	62" x 1/4" Blade 14 teeth per inch	steel cutting
9-25064	62" x 1" Sanding Belts (Pkg. of 5) 100 grit	wood finishing

⚠ WARNING The use of any other accessories not specified in this manual may create a hazard.

TROUBLE SHOOTING

⚠ WARNING For your own safety, turn switch "OFF" and always remove plug from power source outlet before trouble shooting.

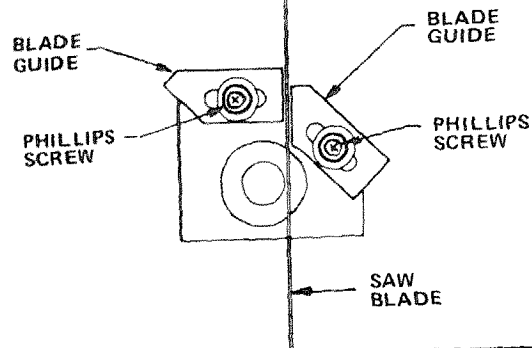
TROUBLE	PROBABLE CAUSE	REMEDY
MOTOR WILL NOT RUN	<ol style="list-style-type: none"> 1. Defective ON/OFF switch. 2. Defective cord. 3. Defective Motor. 4. Defective speed control. 	<ol style="list-style-type: none"> 1. Return unit to your nearest Sears Service Center.
BLADE DOES NOT RUN IN THE APPROXIMATE CENTER OF THE WHEELS	<ol style="list-style-type: none"> 1. Not tracking properly. 	<ol style="list-style-type: none"> 1. Adjust tracking, See Assembly Section, "Tracking the Blade". 2. Check for proper tension.
BAND SAW SLOWS DOWN WHEN CUTTING	<ol style="list-style-type: none"> 1. Cutting too small a radius. 2. Dull blade. 	<ol style="list-style-type: none"> 1. Stop feeding, and back up to the material slightly, until the band saw speeds up. 2. Replace blade.
BLADES BREAKING	<ol style="list-style-type: none"> 1. Too much tension. 2. Kink in blade caused by cutting too small a radius or turning the material too fast when cutting. 	<ol style="list-style-type: none"> 1. Adjust tension, See Assembly Section, "Installing the Blade". 2. Use correct cutting technique. See "Operation" Section.

IMPORTANT: Your Band Saw is Preset at the factory for a 1/4" woodcutting blade (included). No thrust roller or tracking adjustment should be necessary if your initial use is with this blade.

ADJUSTMENTS

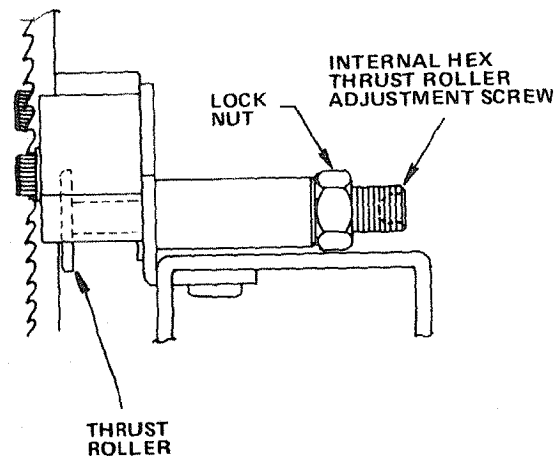
ADJUSTING LOWER BLADE GUIDES

1. Loosen the two phillips screws that lock the lower blade guides and press the two guides evenly against the sides of the blade but do not pinch the blade. Release the guides and rotate the upper wheel slightly clockwise moving the blade downward. Make sure one guide is not farther away from the blade than the other and securely tighten phillips screws.



ADJUSTING LOWER THRUST ROLLER

1. To be sure the thrust roller is properly supporting the blade, turn the thrust roller adjustment screw using 5/32" hex wrench so that the roller moves toward the blade and almost touches.
2. While turning the upper wheel clockwise by hand, adjust the thrust roller until it barely touches the blade.
3. Run the lock nut down finger tight, and tighten with a 1/2" socket and extension.
4. Rotate WHEEL (2) CLOCKWISE a few times by hand and check the blade guides and thrust rollers. Make readjustment if necessary.

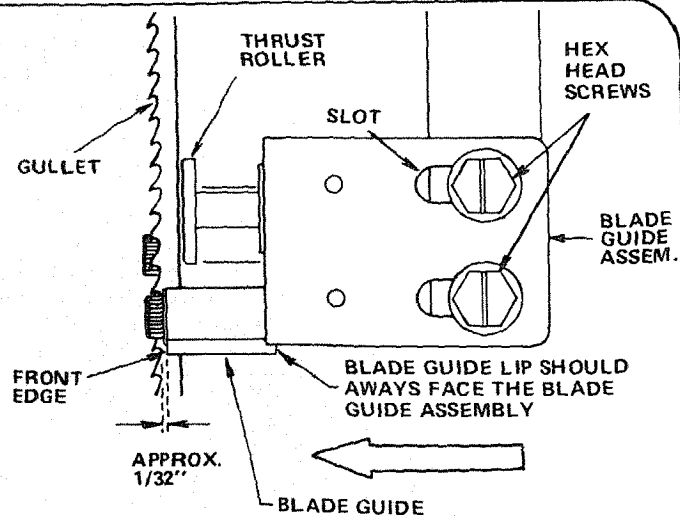


ADJUSTING UPPER BLADE GUIDE ASSEMBLY

NOTE: The upper and lower blade guides support the blade and keep it from twisting during operation. An adjustment is necessary when blades are changed or replaced.

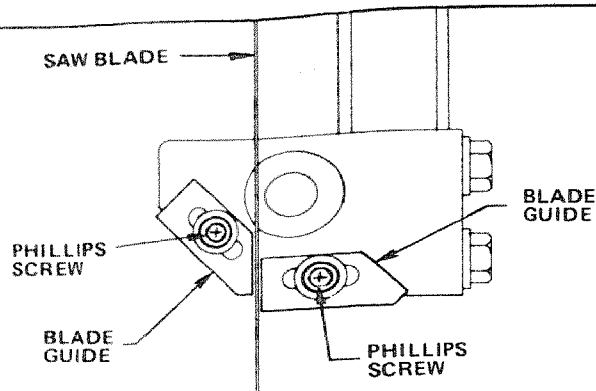
1. Loosen two hex head screws in upper blade guide assembly and slide assembly forward in the slots until the front edge of the blade guides are approximately 1/32" from the GULLET of the saw blade.
2. Tighten two hex head screws while keeping the blade guide assembly parallel to the table.

NOTE: It may be necessary to back out thrust roller adjustment to allow thrust roller to move back from blade to get 1/32" clearance from the gullet to edge of blade guide.



ADJUSTING UPPER BLADE GUIDES

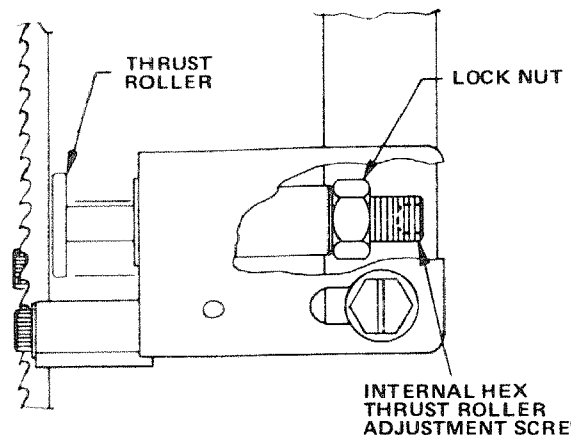
1. Loosen the two phillips screws that lock the upper blade guides and press the two guides evenly against the sides of the blade but do not pinch the blade. Release the guides and rotate WHEEL (2) slightly **CLOCKWISE** moving the blade downward. Make sure one guide is not farther away from the blade than the other and securely tighten phillips screws.



ADJUSTING UPPER THRUST ROLLER

NOTE: The thrust rollers support the blade from the rear and will rotate when the blade is pushed against them while you are cutting. As soon as you stop cutting, the rollers should stop rotating.

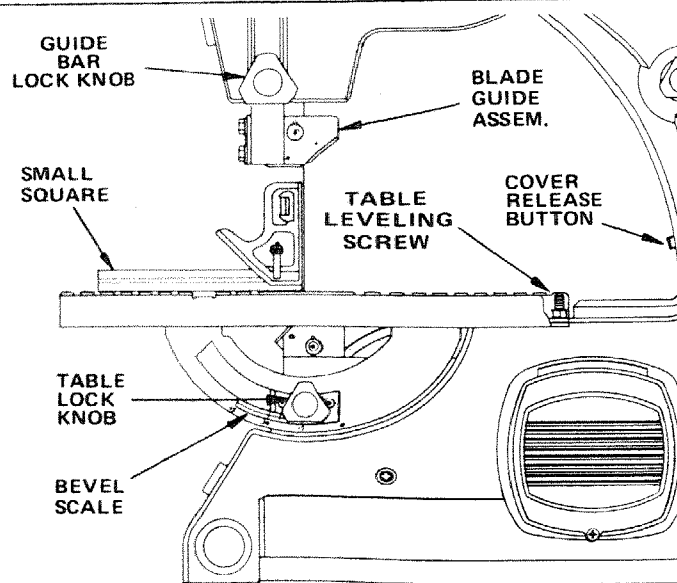
1. To be sure the thrust roller is properly supporting the blade, turn the thrust roller adjustment screw using 5/32" hex wrench so that the roller moves toward the blade and almost touches.
2. While turning WHEEL (2) **CLOCKWISE** by hand, adjust the thrust roller until it barely touches the blade.
3. Run the lock nut down finger tight, and tighten with a 1/2" open end wrench.



ADJUSTING THE TABLE SQUARE TO BLADE

NOTE: The combination square must be "true". See "Tools Needed" section for Checking Method.

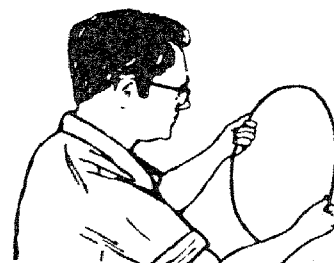
1. Loosen table lock knob, tilt table, **REPLACE COVER** be sure cover release button snaps in slot, and **SECURELY SNAP ALL LATCHES**.
2. Loosen guide bar lock knob and raise the upper blade guide assembly all the way up. Tighten guide bar lock knob.
3. Place a small square on table against the blade as shown.
4. If adjustment is required, loosen table lock knob, tilt table and adjust 1/4" leveling screw in or out while returning table to 90° position and checking with square. Repeat procedure until table is square.



NOTE: It's possible that the blade could be inside out. Hold the blade as shown, with the saw teeth toward you. Examine the teeth in your **RIGHT HAND**. The teeth should be pointing **DOWN** for proper operation. If they are pointing up, the blade is inside out. To reverse it, grasp it with your thumbs and finger tips and twist it inside out.



WARNING Saw blade is very sharp. Use care when handling.



PARTS LIST

KEY NO.	PART NO.	PART NAME	KEY NO.	PART NO.	PART NAME
1	341452	HOUSING COVER SET	53	328539	V. S. CONTROL
2	60301	SNAP RING (3)	54	328705	TERMINAL
3	43038	WASHER (3)	55	328768	KNOB w/STUD
4	328522	IDLER WHEEL ASSEMBLY (2)	56	340179	SCREW
5	326291	WHEEL (2)	57	328754	KNOB w/STUD
6	27399	BEARING (4)	58	328773	SPACER
7	326296	BELT (3)	59	328538	MOTOR COVER
8	328702	PUSH NUT (4)	60	21917	SCREW (4)
9	328761	ROD (2)	61	326295	MOTOR ASSEMBLY
10	STD541031	*NUT (3)	62	STD551010	*WASHER (2)
11	13595	WASHER (2)	63	321413	CLAMP, CABLE
12	328526	SPRING (2)	64	315115	WASHER
13	326293	BRACKET ASSEMBLY	65	328782	TABLE (includes Key #68)
14	328763	CARRIAGE BOLT	66	328923	TABLE INSERT
15	STD551025	*WASHER (2)	67	327712	SCALE STICKER
16	STD581025	*SNAP RING	68	STD503705	*SET SCREW 3/8-16x1/2
17	328753	SHAFT	69	27034	SCREW
18	328758	SPACER	70	328540	MITER GAUGE
19	328772	RIVET (20)	71	328755	KNOB
20	328516	BRACKET ASSEMBLY	72	329020	MITER GAUGE EXTENSION
21	17641	SPRING	73	STD551225	*LOCKWASHER (6)
22	326287	FRAME	74	328764	SCREW
23	4374	WASHER (8)	75	328544	GUIDE BAR
24	3712	SCREW (4)	76	326290	GEAR CASE
25	328514	GUIDE BLOCK (4)	77	STD541025	*NUT (3)
26	328509	SLIDE ASSEMBLY	78	326288	TRUNNION
27	328503	THRUST PLATE (2)	79	328756	KNOB
28	STD522505	*SCREW (5)	80	STD551031	*WASHER
29	STD601103	*SCREW (2)	81	328508	SUPPORT GUIDE (2)
30	328505	GUARD	82	STD551231	*LOCKWASHER (2)
31	139377	SCREW (2)	83	STD523106	*SCREW (2)
32	813747	UPPER THRUST BUSHING ASSEMBLY	84	328779	WASHER
33	328525	PINION	85	109751	CARRIAGE BOLT
34	328545	HEX NUT	86	328546	BEARING (2)
35	STD375004	*CONNECTOR (4)	87	322293	BEARING, NEEDLE (2)
36	64973	CORD CLAMP	88	STD581050	**"E" RING
37	326294	SLIDE BRACKET	89	328504	GEAR
38	341453	SPACER	90	328751	SPINDLE
39	346030	SCREW (5)	91	10824	BEARING
40	328778	COVER PLATE	92	328513	PIN
41	328548	CORD	93	328500	GEAR & PINION
42	11811	GROMMET	94	813748	LOWER THRUST BUSHING ASSY.
43	328793	HARNESS	95	328512	BEARING RETAINER (2)
44	328529	CLIP (7)	96	328524	DRIVE WHEEL
45	179083	WASHER (5)	97	STD541008	*NUT (2)
46	4158	SCREW (5)	98	328949	COVER
47	328547	KNOB	99	328527	FRONT FOOT
48	328648	SWITCH KEY	100	328792	REAR FOOT
49	326292	SWITCH	101	328649	MAIN FRAME ASSEMBLY
50	328532	SWITCH HOUSING	●102	328922	SANDING INSERT (not shown)
51	328507	SWITCH COVER	●103	328931	BACKING PLATE (not shown)
52	329006	NUT SPEED CONTROL	—	SP4998	OWNERS MANUAL (not shown)

SPECIAL NOTES:

*Standard Hardware Item - May be Purchased Locally.

●Parts For No. 9-24434 Sanding Kit.

CRAFTSMAN 10 INCH BAND SAW - MODEL NUMBER 113.244200

IMPORTANT!—To assure product SAFETY and RELIABILITY, repairs, maintenance and adjustment should be performed by Sears Service Centers or other qualified service organizations, always using Sears replacement parts.

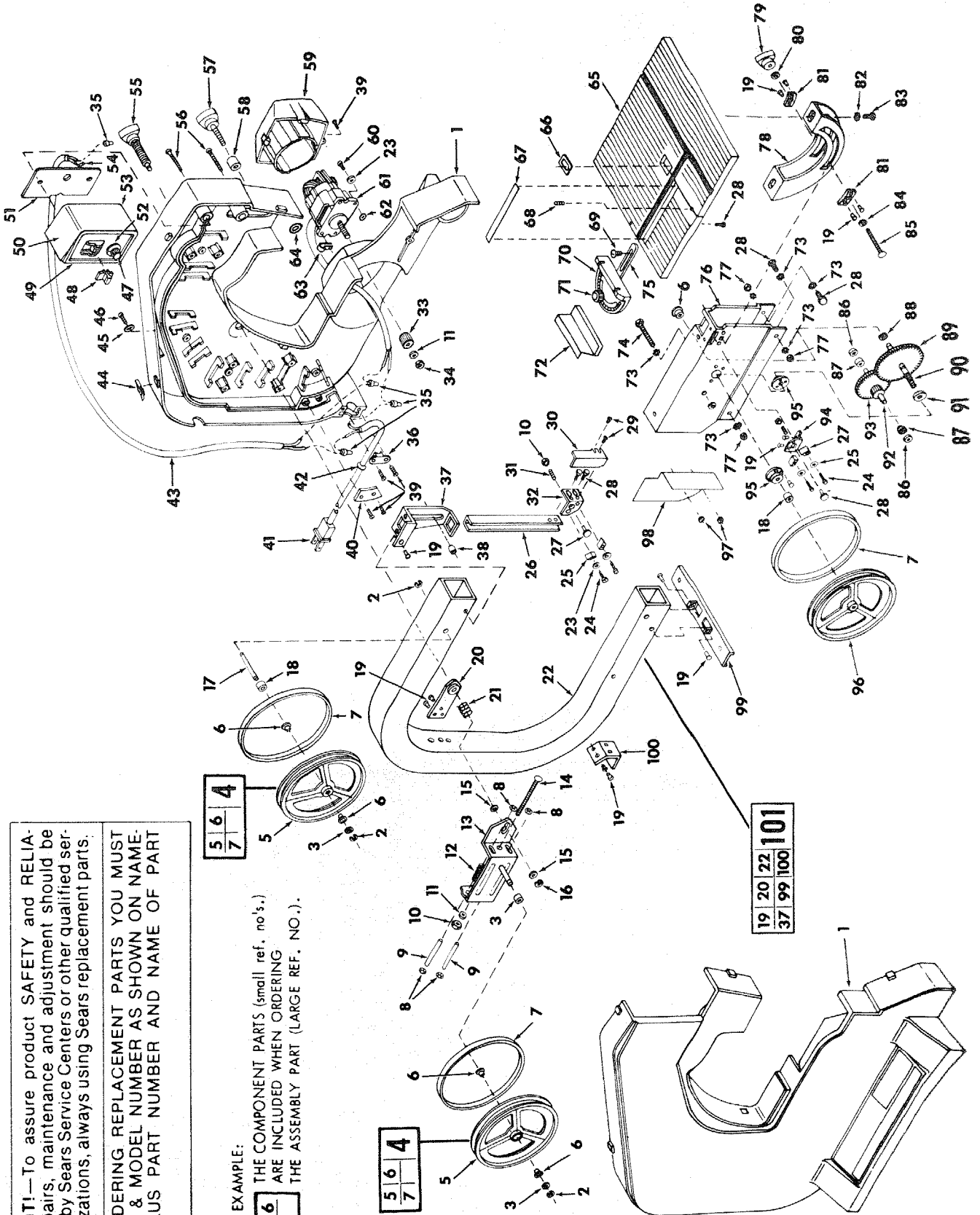
WHEN ORDERING REPLACEMENT PARTS YOU MUST GIVE UNIT & MODEL NUMBER AS SHOWN ON NAME-PLATE, PLUS PART NUMBER AND NAME OF PART NEEDED.

5	6	4
7		

EXAMPLE:
 THE COMPONENT PARTS (small ref. no's.)
 ARE INCLUDED WHEN ORDERING
 THE ASSEMBLY PART (LARGE REF. NO.).

4	5	6
7		

19	20	22	101
37	99	100	



FOR PARTS LIST SEE PAGE 14

SEARS

OWNERS
MANUAL

SERVICE

**MODEL NO.
113.244200**

HOW TO ORDER
REPAIR PARTS

SEARS

CRAFTSMAN®

10" BAND SAW

The Model Number will be found on a plate attached to the motor housing. Always mention the Model Number when requesting service or repair parts for your **BAND SAW**

All parts listed may be ordered from any Sears Service Center and most Sears stores. If the parts you need are not stocked locally, your order will be electronically transmitted to a Sears Repair Parts Distribution Center for handling.

**WHEN ORDERING REPAIR PARTS, ALWAYS
GIVE THE FOLLOWING INFORMATION:**

- | | |
|--------------------------------------|--|
| 1. PART NUMBER | 2. PART DESCRIPTION |
| 3. MODEL NUMBER
113.244200 | 4. NAME of ITEM —
10" BAND SAW |

SOLD BY SEARS, ROEBUCK AND CO., Chicago, IL 60684 U.S.A.