

**Use & Care Guide**  
**Manual de Uso y Cuidado**  
**Guide d'Utilisation et d'Entretien**  
English / Español / French

Models/Modelos/Modèles: 795.7998\*, 7999\*

# Kenmore PRO®

## Bottom Freezer Refrigerator

### Congelador inferior refrigerador

### Congélateur Inférieur Réfrigérateur

\* = color number, número de color, le numéro de la couleur



MFL69265401

Sears Brands Management Corporation  
Hoffman Estates, IL 60179 U.S.A.  
[www.kenmore.com](http://www.kenmore.com)

Sears Canada Inc.  
Toronto, Ontario, Canada M5B 2C3  
[www.sears.ca](http://www.sears.ca)



# TABLE OF CONTENTS

<b>Warranty</b> .....	3	<b>► Freezer Section</b>	
<b>Protection Agreements</b> .....	4	Extra Ice Bin .....	27
<b>Important Safety Instructions</b> .....	5-7	Pullout Drawer .....	28
<b>Electrical &amp; Grounding Requirements</b> .....	7	Durabase.....	28
<b>Parts and Features</b> .....	8	Durabase Divider.....	28
<b>Refrigerator Installation</b> .....	9-16	<b>Water Filter</b> .....	29-32
Unpacking Your Refrigerator.....	9	<b>Care And Cleaning</b> .....	33-34
Installation.....	10	General Cleaning Tips .....	33
Removing/Replacing Your Refrigerator and Freezer Handles, Doors and Drawers.....	11-15	Exterior .....	33
Leveling and Door Alignment .....	16	Inside Walls .....	33
<b>Using Your Refrigerator</b> .....	17-28	Door Liner And Gaskets.....	33
Setting the Controls .....	17-19	Plastic Parts.....	33
In-Door Ice Bin .....	20	Condenser Coils.....	33
Automatic Icemaker .....	21-22	Light Bulb Replacement .....	34
Food Storage Guide .....	23	Power Interruptions .....	34
<b>► Refrigerator Section</b>		When You Go On Vacation.....	34
Water Dispenser .....	24	When You Move.....	34
Refrigerator Shelves.....	25	<b>Connecting the Water Line</b> .....	35-37
Humidity Controlled Crisper.....	26	<b>Troubleshooting Guide</b> .....	38-45
Temperature Controlled Pantry Drawer .....	26	<b>Kenmore Connect™</b> .....	46
Door Bin .....	26	<b>Service</b> .....	Back Cover
Air Filter.....	27		

# WARRANTY



## REFRIGERATOR WARRANTY

### KENMORE PRO LIMITED WARRANTY

WITH PROOF OF SALE, the following warranty coverage applies when this appliance is correctly installed, operated and maintained according to all supplied instructions.

FOR ONE YEAR from the date of sale this appliance is warranted against defects in material or workmanship. A defective appliance will receive free repair or replacement at option of seller. This warranty coverage applies for only 90 days from the sale date in the United States, and is void in Canada, if the appliance is ever used for other than private household purposes.

FOR FIVE YEARS from the date of sale, the sealed refrigerant system of this appliance is warranted against defects in material or workmanship. If a system part is defective within the first year, a new part will be supplied and installed at no charge. If a system part is defective after the first year, a new part will be supplied but not installed at no charge. You are responsible for the labor cost of part installation after the first year from the date of sale. This warranty coverage applies for only one year from the sale date in the United States, and is void in Canada, if the appliance is ever used for other than private household purposes.

FOR TEN YEARS from the date of sale, the linear compressor of this appliance is warranted against defects in material or workmanship. If the compressor is defective within the first year, a new one will be supplied and installed at no charge. If the compressor is defective after the first year, a new one will be supplied but not installed at no charge. You are responsible for the labor cost of part installation after the first year from the date of sale. This warranty coverage applies for only two years from the sale date in the United States, and is void in Canada, if the appliance is ever used for other than private household purposes.

For warranty coverage details to obtain free repair or replacement, visit the web page: [www.kenmore.com/warranty](http://www.kenmore.com/warranty)

#### **This warranty covers ONLY defects in material and workmanship, and will NOT pay for:**

1. Expendable items that can wear out from normal use, including but not limited to filters, belts, bags or screw-in base light bulbs.
2. A service technician to clean or maintain this appliance, or to instruct the user in correct appliance installation, operation and maintenance.
3. Service calls to correct appliance installation not performed by Sears authorized service agents, or to repair problems with house fuses, circuit breakers, house wiring, and plumbing or gas supply systems resulting from such installation.
4. Damage to or failure of this appliance resulting from installation not performed by Sears authorized service agents, including installation that was not in accord with electrical, gas or plumbing codes.
5. Damage to or failure of this appliance, including discoloration or surface rust, if it is not correctly operated and maintained according to all supplied instructions.
6. Damage to or failure of this appliance, including discoloration or surface rust, resulting from accident, alteration, abuse, misuse or use for other than its intended purpose.
7. Damage to or failure of this appliance, including discoloration or surface rust, caused by the use of detergents, cleaners, chemicals or utensils other than those recommended in all instructions supplied with the product.
8. Damage to or failure of parts or systems resulting from unauthorized modifications made to this appliance.
9. Service to an appliance if the model and serial plate is missing, altered, or cannot easily be determined to have the appropriate certification logo.

#### **Disclaimer of implied warranties; limitation of remedies**

Customer's sole and exclusive remedy under this limited warranty shall be product repair or replacement as provided herein. Implied warranties, including warranties of merchantability or fitness for a particular purpose, are limited to one year on the appliance, five years on the sealed system, and ten years on the linear compressor, or the shortest period allowed by law. Seller shall not be liable for incidental or consequential damages. Some states and provinces do not allow the exclusion or limitation of incidental or consequential damages, or limitation on the duration of implied warranties of merchantability or fitness, so these exclusions or limitations may not apply to you.

This warranty applies only while this appliance is used in the United States or Canada\*.

This warranty gives you specific legal rights, and you may also have other rights which vary from state to state.

\* In-home repair service is not available in all Canadian geographical areas, nor will this warranty cover user or servicer travel and transportation expenses if this product is located in a remote area (as defined by Sears Canada Inc.) where an authorized servicer is not available.

**Sears Brands Management Corporation, Hoffman Estates, IL 60179  
Sears Canada Inc., Toronto, Ontario, Canada M5B 2C3**

# PROTECTION AGREEMENTS

## Master Protection Agreements

Congratulations on making a smart purchase. Your new Kenmore Pro® product is designed and manufactured for years of dependable operation. But like all products, it may require preventive maintenance or repair from time to time. That's when having a Master Protection Agreement can save you money and aggravation.

The Master Protection Agreement also helps extend the life of your new product. Here's what the Agreement\* includes:

- **Parts and labor** needed to help keep products operating properly **under normal use**, not just defects. Our coverage goes **well beyond the product warranty**. No deductibles, no functional failure excluded from coverage— **real protection**.
- **Expert service** by a force of more than **10,000 authorized Sears service technicians**, which means someone you can trust will be working on your product.
- **Unlimited service calls and nationwide service**, as often as you want us, whenever you want us.
- **"No-lemon" guarantee** – replacement of your covered product if four or more product failures occur within twelve months.
- **Product replacement** if your covered product can't be fixed.
- **Annual Preventive Maintenance Check** at your request – no extra charge.
- **Fast help by phone** – we call it **Rapid Resolution** – phone support from a Sears representative on all products. Think of us as a "talking owner's manual."

- **Power surge protection** against electrical damage due to power fluctuations.
- **\$250 Food Loss Protection** annually for any food spoilage that is the result of mechanical failure of any covered refrigerator or freezer.
- **Rental reimbursement** if repair of your covered product takes longer than promised.
- **25% discount** off the regular price of any non-covered repair service and related installed parts.

Once you purchase the Agreement, a simple phone call is all that it takes to schedule service. You can call at any time day or night, or schedule a service appointment online.

The Master Protection Agreement is a risk free purchase. If you cancel for any reason during the product warranty period, we will provide a full refund or a prorated refund anytime after the product warranty period expires. Purchase your Master Protection Agreement today!

**Some limitations and exclusions apply.**

**For prices and additional information in the U.S.A. call 1-800-827-6655.**

**\* Coverage in Canada varies on some items. For full details call Sears Canada at 1-800-361-6665.**

### Sears Installation Service

For Sears professional installation of home appliances, garage door openers, water heaters, and other major home items, in the **U.S.A. call 1-844-553-6667. and in Canada call 1-800-469-4663.**

## PRODUCT RECORD

In the space below, record the date of purchase, model and serial number of your product. You will find the model and serial number printed on an identification label located on the interior liner of the refrigerator compartment. Have these items of information available whenever you contact Sears concerning your product.

Model No. \_\_\_\_\_

Date of Purchase \_\_\_\_\_

Serial No. \_\_\_\_\_

Save these instructions and attach your sales receipt for future reference.

# IMPORTANT SAFETY INSTRUCTIONS

## BASIC SAFETY PRECAUTIONS

This guide contains many important safety messages. Always **read and obey** all safety messages.



This is the safety alert symbol. It alerts you to safety messages that inform you of hazards that can kill or hurt you or others, or cause damage to the product.

All safety messages will be preceded by the safety alert symbol and the hazard signal word **DANGER**, **WARNING** or **CAUTION**. These words mean:

**! DANGER**

You **will** be killed or seriously injured if you do not follow instructions.

**! WARNING**

You **can** be killed or seriously injured if you do not follow instructions.

**! CAUTION**

Indicates an imminently hazardous situation which, if not avoided, **may** result in minor or moderate injury, or product damage.

All safety messages will identify the hazard, tell you how to reduce the chance of injury, and tell you what can happen if the instructions are not followed.

## **! WARNING**

**To reduce the risk of fire, electric shock, or personal injury when using your product, basic safety precautions should be followed, including the following.**

**Read all instructions before using this appliance.**

- NEVER unplug your refrigerator by pulling on the power cord. Always grip the plug firmly and pull it straight out from the outlet.
- If the supply cord is damaged, it must be replaced by the manufacturer or its service agent or a similarly qualified person in order to avoid a hazard. Do not use a cord that shows cracks or abrasion damage along its length or at either the plug or connector end.
- Do not modify or extend the power cord length. It could cause electric shock or fire.
- When moving your refrigerator away from the wall, be careful not to roll over or damage the power cord.

- DO NOT store or use gasoline or other flammable vapors and liquids in the vicinity of this or any other appliance.
- DO NOT allow children to climb, stand, or hang on the refrigerator doors or shelves in the refrigerator. They could damage the refrigerator and seriously injure themselves.
- Keep fingers out of pinch point areas; clearances between the doors and cabinets are necessarily small. Be careful closing doors when children are in the area.
- Unplug your refrigerator before cleaning or making any repairs.

**NOTE:** It is strongly recommended that any service be performed by a qualified technician.

## SAVE THESE INSTRUCTIONS

## ! WARNING

- Before replacing a burned-out or broken light bulb, unplug the refrigerator or turn off power at the circuit breaker or fuse box in order to avoid contact with a live wire filament. (A burned-out light bulb may break when being replaced exposing the wire filament.)

**NOTE:** Some models have LED interior lighting and service should be performed by a qualified technician.

**WARNING:** Setting either or both controls to the OFF position does not remove power to the light circuit.

- When you are finished, reconnect the refrigerator to the electrical source and reset the controls (Thermostat, Refrigerator Control, and or Freezer Control, depending on the model) to the desired setting.
- This refrigerator must be properly installed in accordance with the **Attention Installer Instructions** that were taped to the front of the refrigerator.
- After your refrigerator is in operation, do not touch the cold surfaces in the freezer compartment when hands are damp or wet. Skin may adhere to the extremely cold surfaces.

- DO NOT touch the automatic ice making mechanism while the refrigerator is plugged in.
- DO NOT refreeze frozen foods which have thawed completely. The United States Department of Agriculture in Home and Garden Bulletin No. 69 says:

...You may safely refreeze frozen foods that have thawed if they still contain ice crystals or if they are still cold—below 39°F (4°C).

...Thawed ground meats, poultry or fish that have any off-odor or off-color should not be refrozen and should not be eaten. Thawed ice cream should be discarded. If the odor or color of any food is poor or questionable, dispose of it. The food may be dangerous to eat.

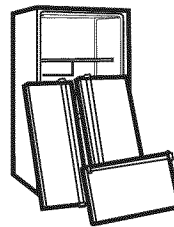
Even partial thawing and refreezing reduces the eating quality of foods, particularly fruits, vegetables and prepared foods. The eating quality of red meats is affected less than that of many other foods. Use refrozen foods as soon as possible to save as much of their quality as you can.

**! WARNING :** This product contains chemicals known to the State of California to cause cancer and birth defects or other reproductive harm. *Wash hands after handling.*

## SAVE THESE INSTRUCTIONS

## ! DANGER: RISK OF CHILD ENTRAPMENT

Junked or abandoned refrigerators are dangerous, even if they are sitting for only a few days. If you are getting rid of your old refrigerator, please follow the instructions at right to help prevent accidents (child entrapment and suffocation).



### BEFORE YOU THROW AWAY YOUR OLD REFRIGERATOR OR FREEZER:

- Take off the doors.
- Leave the shelves in place so that children may not easily climb inside.

## CFC/HCFC DISPOSAL

Your old refrigerator may have a cooling system that used CFCs or HCFCs (chlorofluorocarbons or hydrochlorofluorocarbons). CFCs and HCFCs are believed to harm stratospheric ozone if released to the atmosphere. Other refrigerants may also cause harm to the environment if released to the atmosphere.

If you are throwing away your old refrigerator, make sure the refrigerant is removed for proper disposal by a qualified technician. If you intentionally release refrigerant, you may be subject to fines and imprisonment under provisions of environmental legislation.

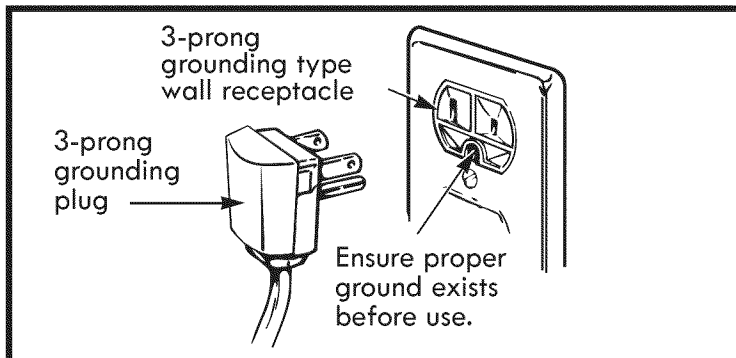
## ELECTRICAL & GROUNDING REQUIREMENTS

**IMPORTANT:** Please read carefully.  
**TO CONNECT ELECTRICITY**

### **! WARNING**

#### **Electrical Shock Hazard**

**FOR PERSONAL SAFETY**, this appliance must be properly grounded. Have the wall outlet and the circuit checked by a qualified electrician to make sure the outlet is properly grounded.



### **RECOMMENDED GROUNDING METHOD**

The refrigerator should always be plugged into its own individual properly grounded electrical outlet rated for 115 Volts, 60 Hz, AC only, and fused at 15 or 20 amperes. This provides the best performance and also prevents overloading house wiring circuits which could cause a fire hazard from overheated wires. It is recommended that a separate circuit serving only this appliance be provided.

Use a receptacle that cannot be turned off with a switch or pull chain. Do not use an extension cord.

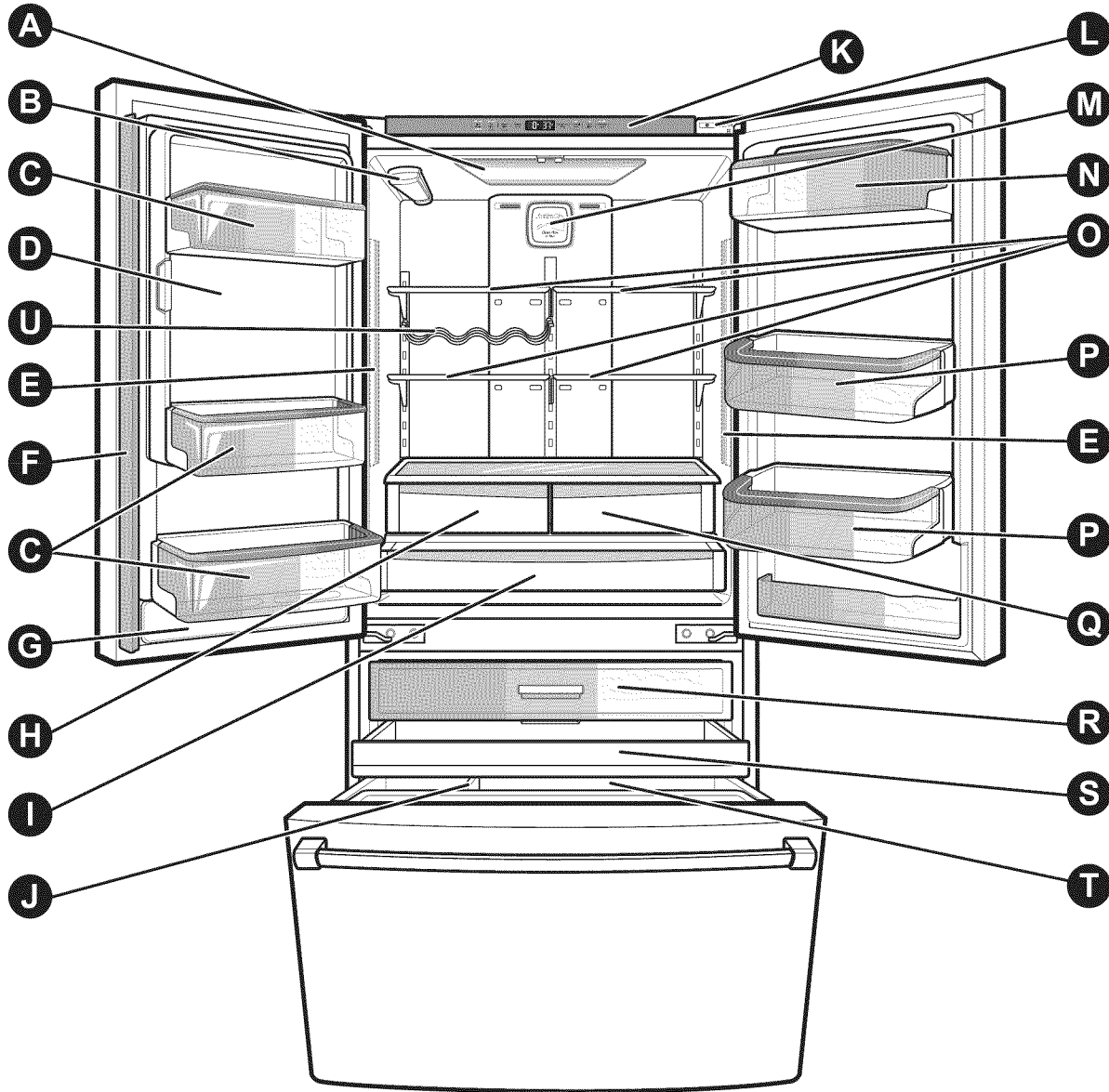
Where a standard two-prong wall outlet is encountered, it is your personal responsibility and obligation to have it replaced with a properly grounded three-prong wall outlet.

### **USE OF EXTENSION CORDS**

**Because of potential safety hazards under certain conditions, the use of an extension cord is not recommended.** However, if you still elect to use an extension cord, it is absolutely necessary that it be a UL-listed (USA), 3-wire grounding type appliance extension cord having a grounding type plug and outlet, and that the electrical rating of the cord be 15 amperes (minimum) and 120 volts.

Use of an extension cord will increase the clearance needed for the back of the refrigerator.

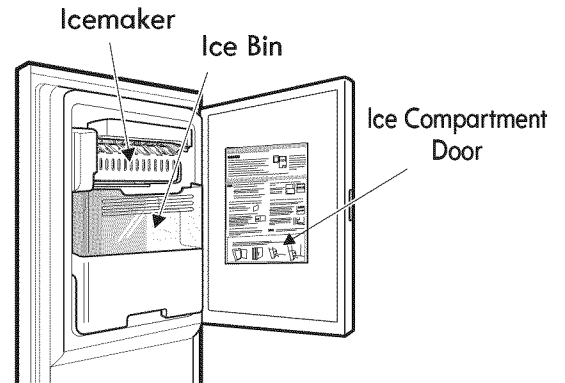
# PARTS AND FEATURES



Use this page to become more familiar with the parts and features of your refrigerator.

**NOTE:** This guide covers several different models. The refrigerator you have purchased may have some or all of the items listed below. The locations of the features shown below may not match your model.

- A** Refrigerator Light
- B** Water Filter
- C** Fixed Door Bins
- D** Ice Compartment (Icemaker and Ice Bin)
- E** Refrigerator Light (side)
- F** Articulating Mullion
- G** Water Tank Cover
- H** Humidity Controlled Crisper
- I** Temperature Controlled Pantry Drawer
- J** Durabase Divider
- K** Control Panel
- L** Kenmore Connect™ Speaker
- M** Air Filter
- N** Adjustable Dairy Bin
- O** Refrigerator Shelves
- P** Adjustable Door Bins
- Q** Air Tight Crisper
- R** Top Pullout Drawer
- S** Middle Pullout Drawer
- T** Durabase
- U** Wine Rack



# REFRIGERATOR INSTALLATION

## **WARNING**

### **Excessive Weight Hazard:**

Use two or more people to move and install the refrigerator. Failure to do so can result in back or other injury.

## **UNPACKING YOUR REFRIGERATOR**

Remove tape and any temporary labels from your refrigerator before using. Do not remove any warning-type labels, the model and serial number label, or the Tech Sheet that is located under the front of the refrigerator.

To remove any remaining tape or glue, rub the area briskly with your thumb. Tape or glue residue can also be easily removed by rubbing a small amount of liquid dish soap over the adhesive with your fingers. Wipe with warm water and dry.

Do not use sharp instruments, rubbing alcohol, flammable fluids, or abrasive cleaners to remove tape or glue. These products can damage the surface of your refrigerator.

Refrigerator shelves are installed in the shipping position. Please reinstall shelves according to your individual storage needs.

## **WARNING**

### **Excessive Weight Hazard:**

Your refrigerator is heavy. When moving the refrigerator for cleaning or service, be sure to protect the floor. Always pull the refrigerator straight out when moving it. Do not wiggle or walk the refrigerator when trying to move it, as floor damage could occur.

## **WARNING**

### **Explosion Hazard:**

Keep flammable materials and vapors, such as gasoline, away from the refrigerator. Failure to do so can result in fire, explosion, or death.

## PRIOR TO USE

1. Clean your refrigerator thoroughly and wipe off all dust that accumulated during shipping.
2. Install accessories such as ice cube bin, drawers, shelves, etc., in their proper places. They are packed together to prevent possible damage during shipment.
3. Allow your refrigerator to run for at least two to three hours before putting food in it. Check the flow of cold air in the freezer compartment to ensure proper cooling. Your refrigerator is now ready for use.

## INSTALLATION

The refrigerator should always be plugged into its own individual properly grounded electrical outlet rated for 115 Volts, 60 Hz, AC only, and fused at 15 or 20 amperes. This provides the best performance and also prevents overloading house wiring circuits which could cause a fire hazard from overheated wires. It is recommended that a separate circuit serving only this appliance be provided.

### **! WARNING**

#### **Shock Hazard:**

To reduce the risk of electric shock, do not install the refrigerator in a wet or damp area.

## INSTALLATION (continued)

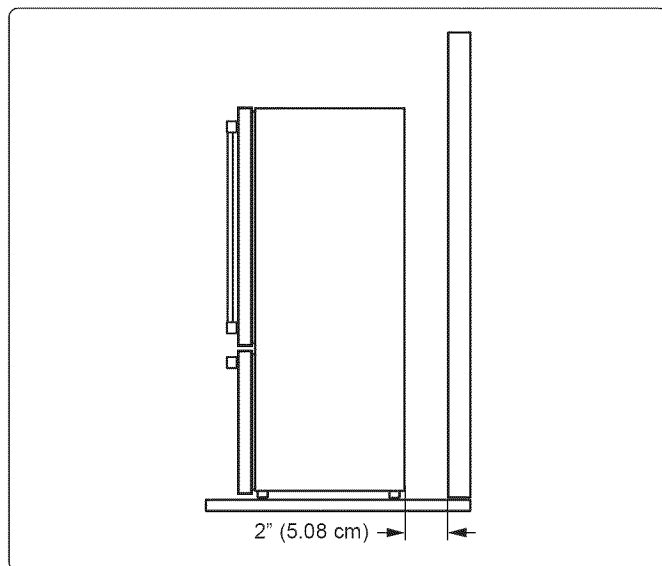
1. To avoid noise and vibration, the unit must be leveled and installed on a solidly constructed floor. If required, adjust the leveling legs to compensate for unevenness of the floor. The front should be slightly higher than the rear to aid in door closing. Leveling legs can be turned easily by tipping the cabinet slightly. Turn the leveling legs to the left to raise the unit or to the right to lower it. (See **LEVELING AND DOOR ALIGNMENT.**)

**NOTE:** Installing on carpeting, soft tile surfaces, a platform or weakly supported structure is not recommended.

2. Install this appliance in an area where the temperature is between 55°F (13°C) and 110°F (43°C). If the temperature around the appliance is too low or high, cooling ability may be adversely affected.
3. Select a place where a water supply can be easily connected for the automatic icemaker.

**NOTE:** The water pressure must be from 20-120 psi or 138-827 kPa or 1.4-8.4 kgf/cm<sup>2</sup>. If the refrigerator is installed in an area with low water pressure (below 20 psi), you can install a booster pump to compensate for the low pressure.

4. Too small of a distance from adjacent items may result in lowered freezing capability and increased electricity consumption charges. Allow at least 24 inches (61 cm) in front of the refrigerator to open the doors and at least 2 inches (5.08 cm) between the back of the refrigerator and the wall.



**NOTE:** Removing the doors is always recommended when it is necessary to move the refrigerator through a narrow opening. If it is necessary to remove the handles, follow the directions below.

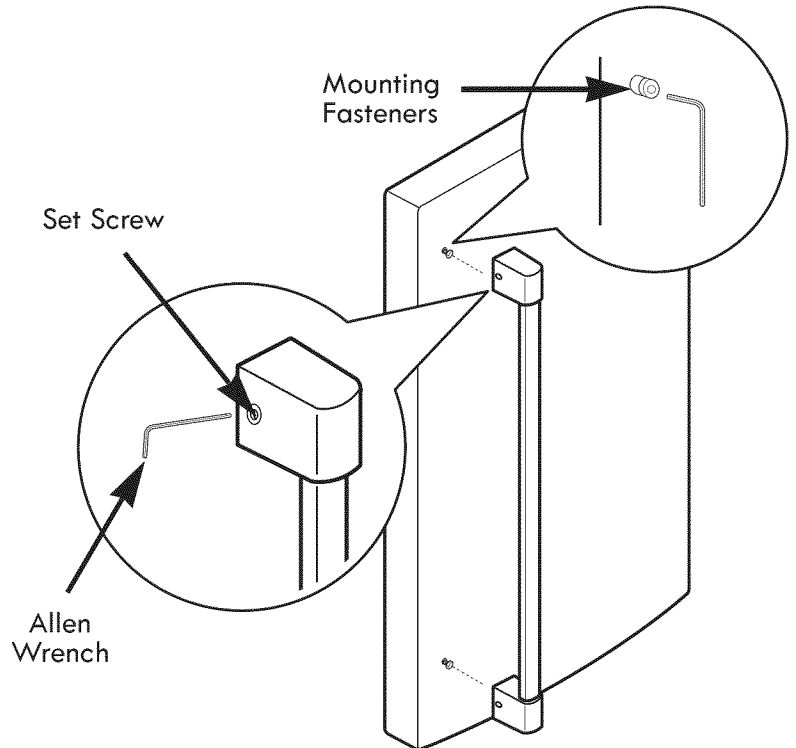
## HOW TO REMOVE REFRIGERATOR DOOR HANDLE

**NOTE:** Handle appearance may vary from the illustrations on this page.

### Removing Refrigerator Handle

Loosen the set screws with a  $\frac{3}{32}$  in. Allen wrench and remove the handle.

**NOTE:** If the handle mounting fasteners need to be tightened or removed, use a  $\frac{1}{4}$  in. Allen wrench.



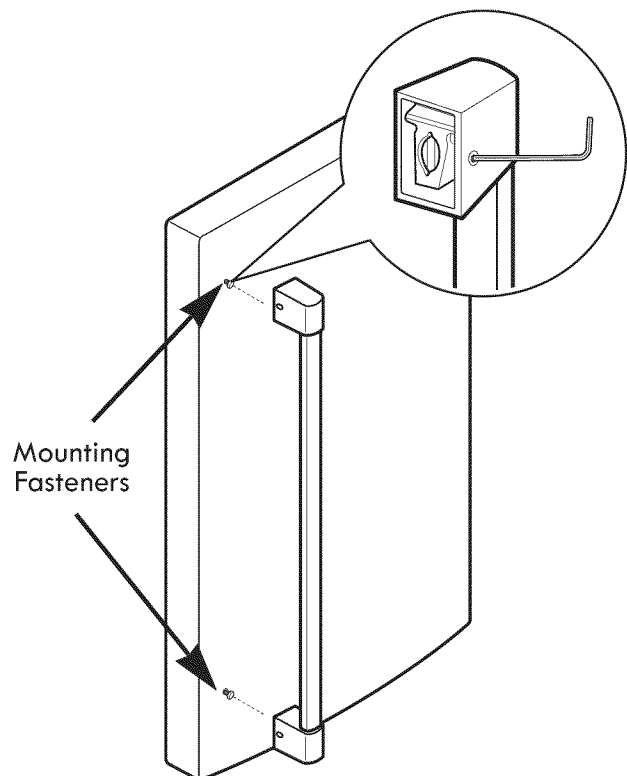
## HOW TO REPLACE REFRIGERATOR DOOR HANDLE

**NOTE:** Handle appearance may vary from the illustrations on this page.

### Replacing Refrigerator Door Handle

Place the handle on the door by fitting the handle footprints over the mounting fasteners and tightening the set screws with a  $\frac{3}{32}$  in Allen wrench.

**NOTE:** If the handle mounting fasteners need to be tightened or removed, use a  $\frac{1}{4}$  in. Allen wrench.



**NOTE:** Removing the doors is always recommended when it is necessary to move the refrigerator through a narrow opening. If it is necessary to remove the handles, follow the directions below.

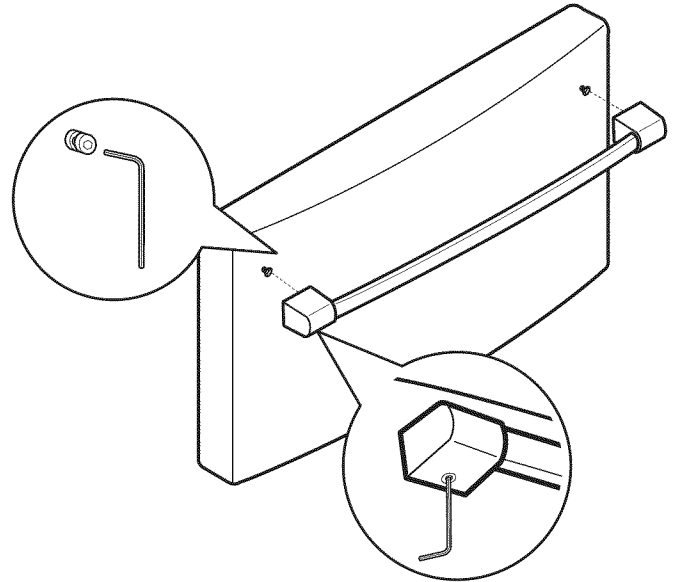
### HOW TO REMOVE FREEZER DOOR HANDLE

**NOTE:** Handle appearance may vary from the illustrations on this page.

#### Removing Freezer Drawer Handle

Loosen the set screws located on the lower side of the handle with a  $\frac{1}{8}$  in. Allen wrench and remove the handle.

**NOTE:** If the handle mounting fasteners need to be tightened or removed, use a  $\frac{1}{4}$  in. Allen wrench.



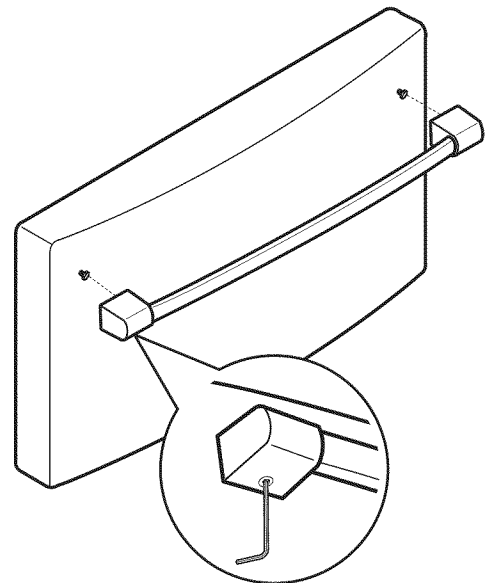
### HOW TO REPLACE FREEZER DOOR HANDLE

**NOTE:** Handle appearance may vary from the illustrations on this page.

#### Replacing Freezer Drawer Handle

Place the handle on the door by fitting the handle footprints over the mounting fasteners and tightening the set screws with a  $\frac{1}{8}$  in. Allen wrench.

**NOTE:** If the handle mounting fasteners need to be tightened or removed, use a  $\frac{1}{4}$  in. Allen wrench.



## ! WARNING

When assembling or disassembling the handles:

- Grasp the handle firmly to ensure it will not drop or cause injury.
- Prevent the handle from swinging toward nearby people or animals.
- Insert the bracket hole of the handle into the stopper bolt of the door exactly, then assemble the set screws to fix the handle in place.
- Check for any gap between the door and handle after the handle is fixed in place.

## REMOVING AND REPLACING REFRIGERATOR DOORS

### ! WARNING

#### Excessive Weight Hazard:

Use two or more people to remove and install the refrigerator doors. Failure to do so can result in back or other injury.

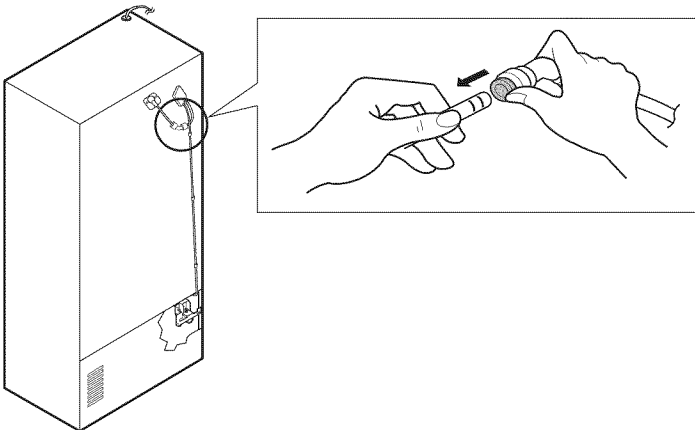
### ! WARNING

#### Electrical Shock Hazard

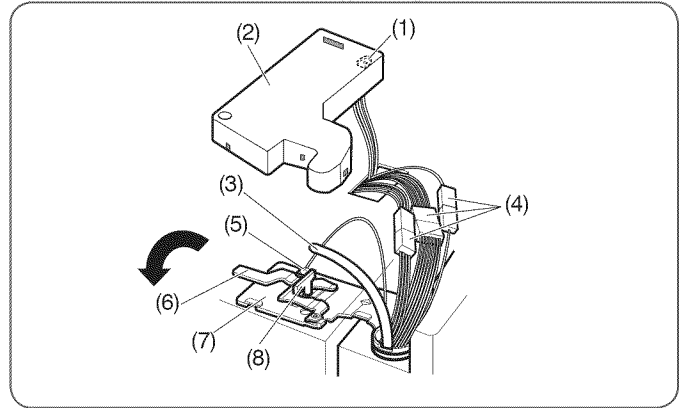
- Disconnect the electrical supply to the refrigerator before installing. Failure to do so could result in serious injury or death.
- Do not put hands, feet or other objects into the air vents or bottom of the refrigerator. You may be injured or receive an electrical shock.

#### To remove the left refrigerator door:

On the back of the refrigerator, pull the water tube out of the collet fitting on the connector by pressing the fitting release ring (see picture below).



**! CAUTION:** Before you begin, remove food and bins from the doors.

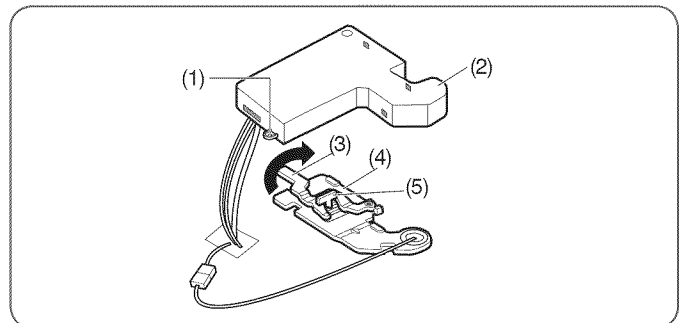


1. Open the door. Remove the top hinge cover screw (1). Lift up the cover (2).
2. Remove the cover.
3. Pull out the tube (3).
4. Disconnect all wire harnesses (4).
5. Remove the grounding screw (5).
6. Rotate hinge lever (6) counterclockwise. Lift the top hinge (7) free of the hinge lever latch (8).

**! CAUTION:** When lifting the hinge free of the latch, be careful that the door does not fall forward.

7. Lift the door from the middle hinge pin and remove the door.
8. Place the door, inside facing up, on a non-scratching surface.

#### To remove the right refrigerator door:



1. Open the door. Remove the top hinge cover screw (1). Lift up the cover (2).
2. Remove the cover.
3. Rotate the hinge lever (3) clockwise. Lift the top hinge (4) free of the hinge lever latch (5).

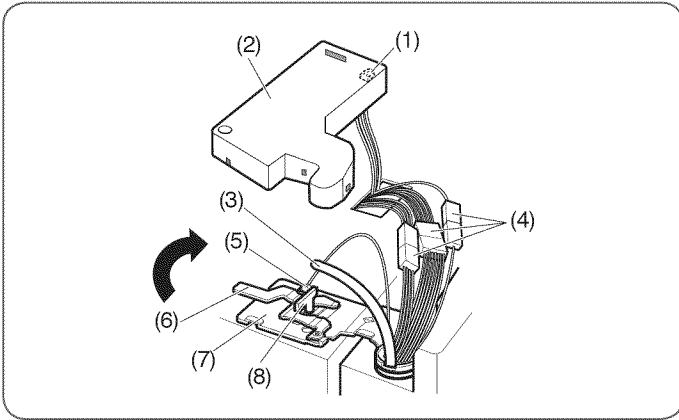
**! CAUTION:** When lifting the hinge free of the latch, be careful that the door does not fall forward.

4. Lift the door from the middle hinge pin and remove the door.
5. Place the door, inside facing up, on a non-scratching surface.

## Reinstalling the Refrigerator Door

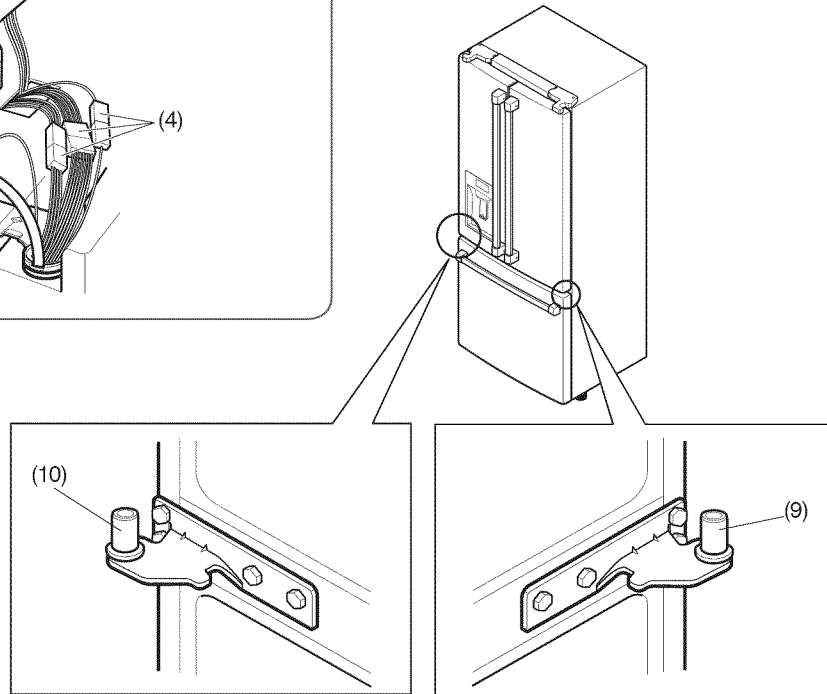
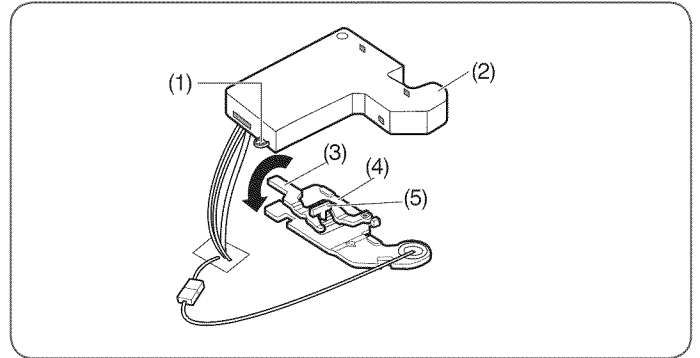
### ► Left Door

1. Lower the door onto the middle hinge pin (10).
2. Fit the top hinge (7) over the hinge lever latch (8) and into place. Rotate the lever (6) clockwise to secure the hinge.
3. Install the grounding screw (5) and connect the two wire harnesses (4).
4. Push the water tube (3) located at the top of the left door into the hole beside the left hinge on the top of the cabinet until it exits through the back.
5. Insert the water supply tube (3) into the connector until you see only one scale mark. Fully insert the tube over  $\frac{5}{8}$  in. (15 mm).
6. Hook the tabs on the left side of the hinge cover (1) under the edge of the top hinge (7) and position the cover in place. Insert and tighten the cover screw (1).

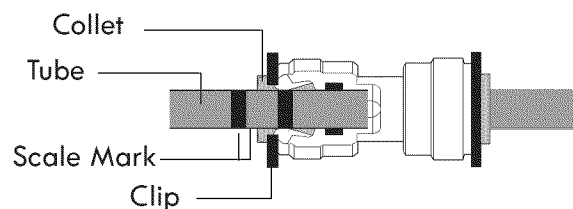


### ► Right Door

1. Lower the door onto the middle hinge pin (9).
2. Fit the top hinge (4) over the hinge lever latch (5) and into place. Rotate the lever (3) counterclockwise to secure the hinge.
3. Hook the tabs on the right side of hinge cover (2) under the edge of the top hinge (4) and position the cover in place. Insert and tighten the cover screw (1).



## ⚠ CAUTION



After inserting, pull the tube to make sure that it is secure and reinsert the clip.

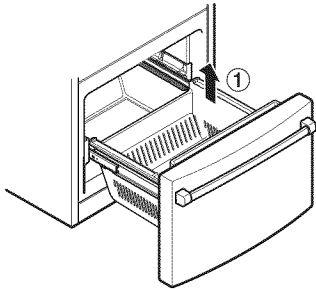
## HOW TO REMOVE THE FREEZER DRAWER

**⚠ WARNING:** Use two or more people to remove and install the freezer drawer. Failure to do so can result in back or other injury.

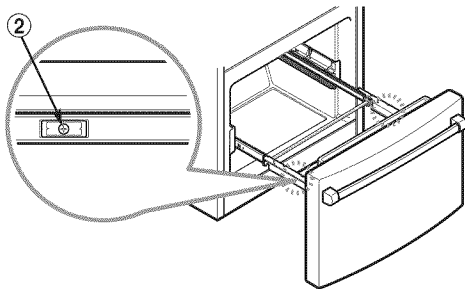
**⚠ CAUTION:** Do not hold the handle when removing or replacing the drawer. The handle may come off and it could cause personal injury.

**NOTE:** In the following figures, the Pullout Drawer located above the freezer drawer is not shown for clarity.

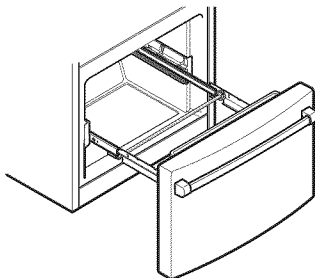
Pull the drawer open to full extension. Remove the lower basket ① by lifting the basket from the rail system.



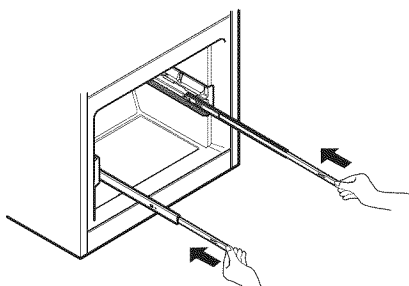
Remove the screws ② from the rail on both sides.



Grasp the drawer on each side and pull it up to separate it from the rails.

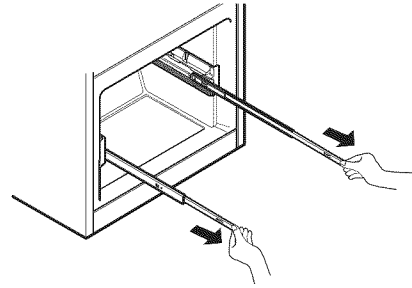


With both hands, slide each bar in simultaneously.

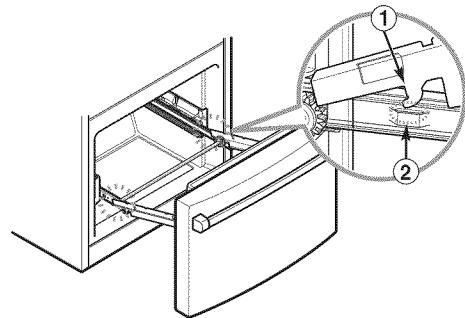


## HOW TO INSTALL THE FREEZER DRAWER

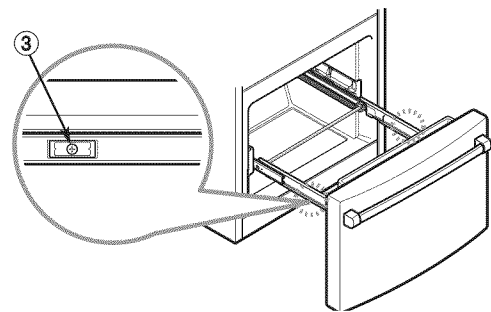
Pull out each rail to full extension.



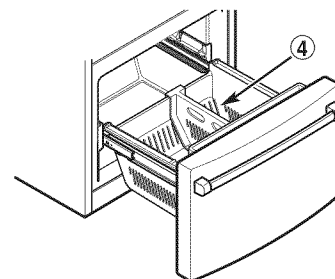
Grasp the drawer on each side and hook drawer supports ① into rail tabs ② located on both sides.



Lower the door into its final position and tighten the screws ③ located on both sides.



With the drawer pulled out to full extension, insert the lower basket ④ in the rail assembly.



**⚠ WARNING:** If the Durabase divider is removed, there is enough open space for children or pets to crawl inside. To prevent accidental child and pet entrapment or suffocation risk, DO NOT allow them to touch or go near the freezer drawer.

**⚠ WARNING:** DO NOT step or sit down on the freezer drawer.

## LEVELING AND DOOR ALIGNMENT

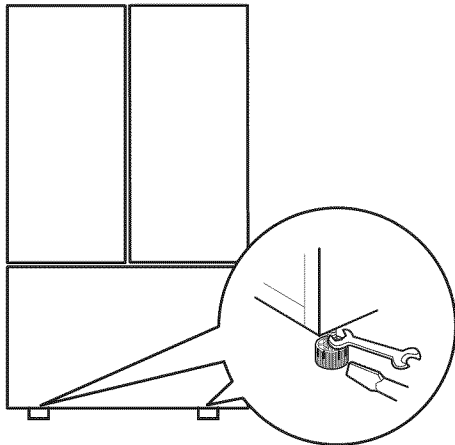
### Leveling

After installing, plug the refrigerator's power cord into a 3-prong grounded outlet and push the refrigerator into the final position.

Your refrigerator has two front leveling legs—one on the right and one on the left. Adjust the legs to alter the tilt from front-to-back or side-to-side. If your refrigerator seems unsteady, or you want the doors to close more easily, adjust the refrigerator's tilt using the instructions below:

**NOTE:** Tools Required:  $1\frac{1}{16}$ " wrench or flat blade screwdriver.

1. Turn the leveling leg to the left to raise that side of the refrigerator or to the right to lower it. It may take several turns of the leveling leg to adjust the tilt of the refrigerator.



**NOTE:** Having someone push backward against the top of the refrigerator takes some weight off of the leveling legs. This makes it easier to adjust the legs.

2. Open both doors again and check to make sure that they close easily. If the doors do not close easily, tilt the refrigerator slightly more to the rear by turning both leveling legs to the left. It may take several more turns, and you should turn both leveling legs the same amount.

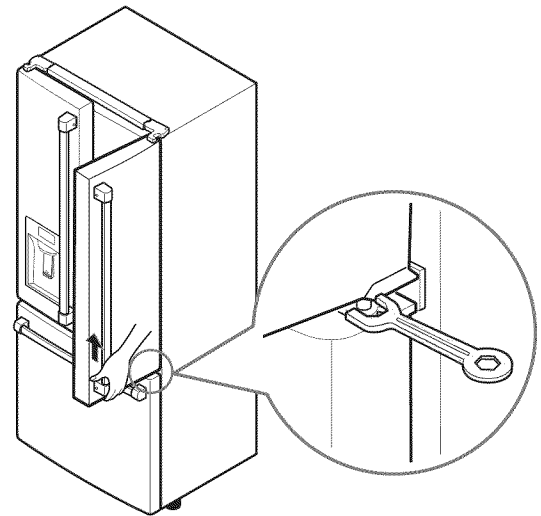
**NOTE:** Your refrigerator is uniquely designed with two fresh food doors. Either door can be opened or closed independently of the other. You may have to exert slight pressure on the doors to get them to close completely.

### Door Alignment

Both the left and right refrigerator doors have an adjustable nut, located on the bottom hinge, to raise and lower them to align properly.

If the space between your doors is uneven, follow the instructions below to align the doors evenly:

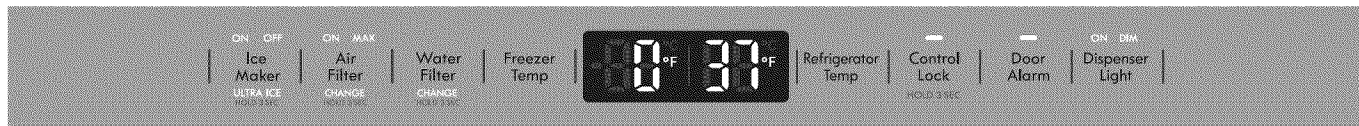
Use the wrench (included with the Use & Care Guide) to turn the nut in the door hinge to adjust the height. To the right to raise or to the left to lower the height.



# USING YOUR REFRIGERATOR

## SETTING THE CONTROLS

### Temperature

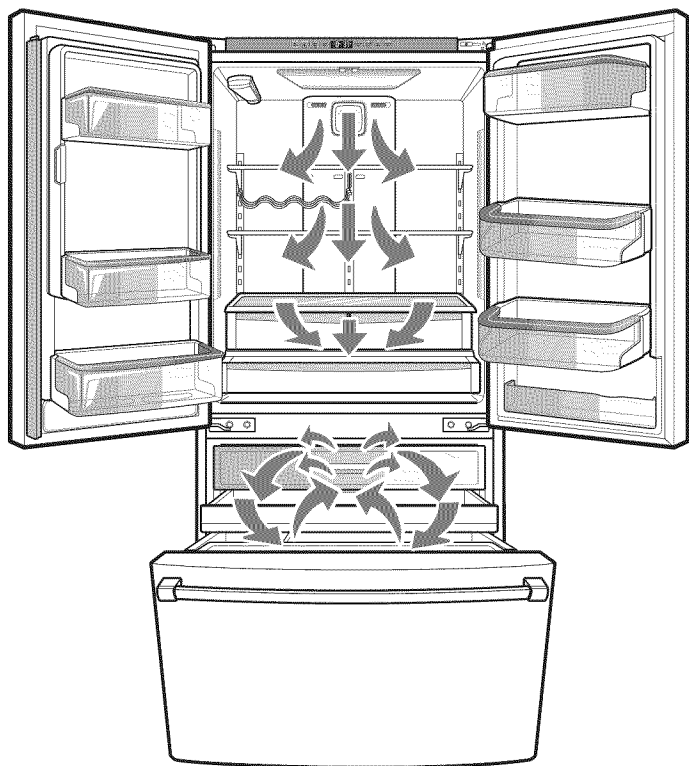


- **The Refrigerator Temp Control ranges from 33°F to 46°F (1°C to 8°C).** Press the Refrigerator Temp button to cycle through the available temperature settings one increment at a time.
- **The Freezer Temp Control range is from -6°F to 8°F (-21°C to -13°C).** Press the Freezer Temp button to cycle through the available temperature settings one increment at a time.

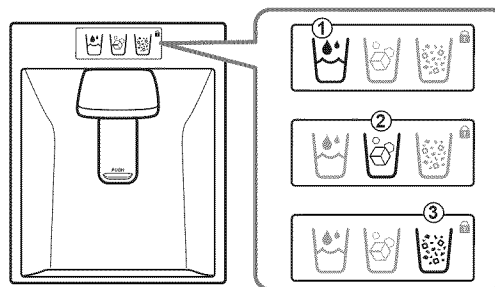
**NOTE:** When changing control settings, wait 24 hours before making additional adjustments. The controls are set correctly when milk or juice is as cold as you would like and when ice cream is firm. If the temperature in either compartment is too cold or too warm, change the setting one increment at a time. Wait 24 hours for the change to stabilize before adjusting again.

### Airflow

Be sure not to block vents while packing your refrigerator. Doing so will restrict airflow and may cause the refrigerator temperature to become too warm or cause interior moisture buildup. (See air flow diagram below.)



### Dispenser



The dispenser will dispense water, cubed ice or crushed ice. Press the appropriate icon of your choice: (1) water (2) cubed ice (3) crushed ice. When pressed the icon will illuminate.

**NOTE:** The dispenser will not work if any door is left open or if the control lock is engaged.

**NOTE:** If the Control Lock icon is illuminated, the Dispenser will not work. Disable the Control Lock to use the Dispenser again.

**CAUTION:** The control display is operated by touch. Excessive moisture on the display may cause a malfunction. Please keep the display clean and dry.

## USING YOUR REFRIGERATOR

### Air Filter



The Air Filter helps remove odors from the refrigerator. The Air Filter has two settings, Auto and MAX. In Auto mode, the Air Filter will cycle on and off in increments of ten minutes on and one hundred and ten minutes off. If set to the MAX mode, the Air Filter will stay on continuously for four hours, cycling on and off in increments of ten minutes on and five minutes off. After four hours, the Air Filter will switch to Auto mode.

- Auto mode is the default mode.
- Press the Air Filter button once for MAX mode.

### Air Filter Reset



When the **CHANGE** icon turns on, the air filter needs to be replaced. After replacing the air filter, press and hold the Air Filter button for three seconds to turn the icon light off. It is recommended to change the air filter approximately every 6 months.

### Ice Maker ON/OFF



- To switch the icemaker ON or OFF, press the Ice Maker button.

### Ultra Ice



- When you press and hold the Ice Maker button for three seconds, the graphic will illuminate in the display and will continue for 24 hours. The function will automatically shut off after 24 hours.

**NOTE:** While you are selecting the Ultra Ice function, the Ice Maker icon will briefly switch to OFF, then return to ON. This is normal.

- You can stop this function manually by pressing and holding the button one more time.
- This function increases both ice making and freezing capabilities.

### Water Filter Reset



When the **CHANGE** icon turns on, you need to change the water filter. After changing the water filter, press and hold the Water Filter button for three seconds to turn the indicator light off. You need to change the water filter approximately every six months.

### Dispenser Light



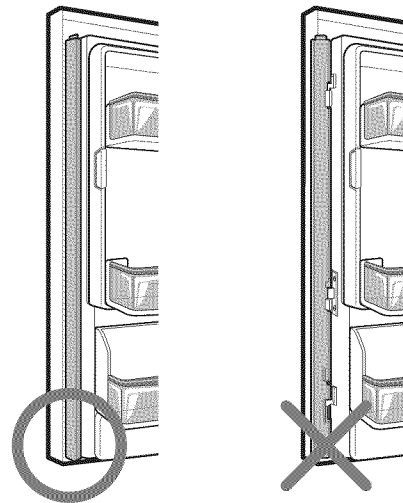
This light has three settings: On, Off and Dim. Select the Dim option at night. The light will automatically turn on at full brightness when the dispenser pad is pushed.

### Articulating Mullion

This feature is a metal strip attached to the left door that articulates (rotates) 90 degrees as the door is closed, forming a mullion (base) for the left and right door gaskets to seal against.

### CAUTION

To reduce the risk of scratching the door or breaking the door mullion, make sure that the refrigerator door mullion is always folded in.



**Door Alarm**



- When power is connected to the refrigerator, the door alarm is initially set to ON. When you press the Door Alarm button, the display will change to OFF and the Door Alarm function will deactivate.
- When either the refrigerator or the freezer door is left open for more than 60 seconds, the alarm tone will sound to let you know that the door is open.
- When you close the door, the door alarm will stop.

**Control Lock**



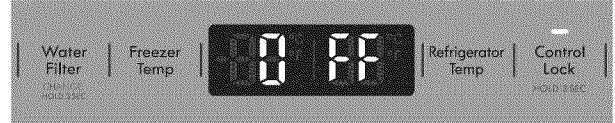
- When power is initially connected to the refrigerator, the Lock function is off.
- If you want to activate the Lock function to lock other buttons, press and hold the Control Lock button for three seconds or more. The Control Lock button will illuminate and the Lock function is now enabled.
- When the Lock function is activated, no other buttons will work. The dispenser pad is also deactivated.
- To disable the Lock function, press and hold the Control Lock button for approximately three seconds.

**Temperature Mode Switch Function (°F <->°C)**

If you want to convert °F to °C or vice versa, press and hold the Freezer Temp and Refrigerator Temp buttons at the same time for approximately five seconds.

**Demo Mode (For Store Use Only)**

The Demo Mode disables all cooling in the refrigerator and freezer sections to conserve energy while on display in a retail store. When activated, OFF will display on the control panel.



**To deactivate:**

With either refrigerator door opened, press and hold the Refrigerator Temp and Ice Maker buttons at the same time for five seconds. The control panel will beep and the temperature settings will display to confirm that Demo Mode is deactivated. Use the same procedure to activate the Demo Mode.



## IN-DOOR ICE BIN

### ⚠ CAUTION

Keep hands and tools out of the ice compartment door and dispenser chute. Failure to do so may result in damage or personal injury.

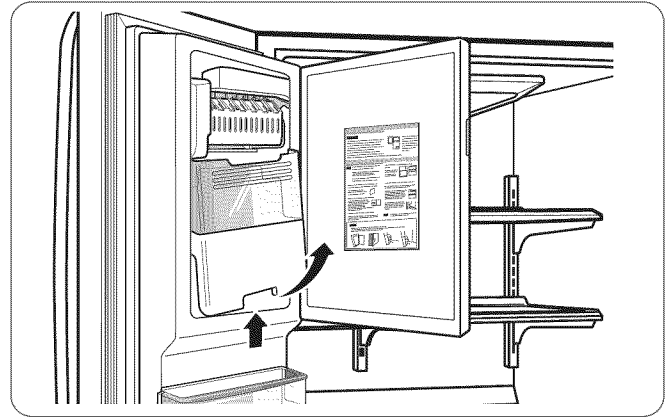
The icemaker will stop producing ice when the in-door ice bin is full. If you need more ice, empty the ice bin into the extra ice bin in the freezer compartment. During use, the ice can become uneven causing the icemaker to misread the amount of ice cubes and stop producing ice. Shaking the ice bin to level the ice within it can reduce this problem.

**NOTE:** Storing cans or other items in the ice bin will damage the icemaker.

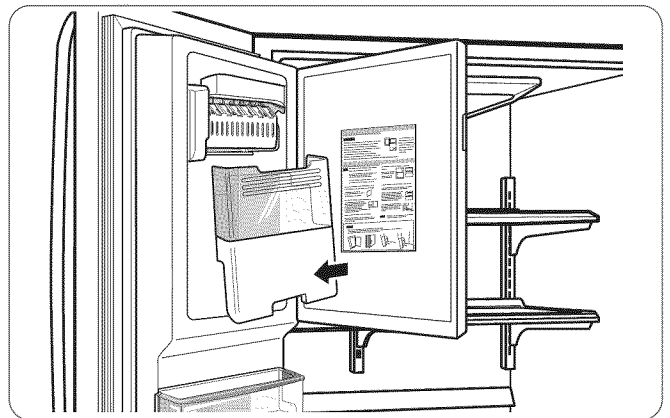
Keep the ice compartment door closed tightly. If the ice compartment door is not closed tightly, the cold air in the ice bin will freeze food in the refrigerator compartment. This could also cause the icemaker to stop producing ice.

**NOTE:** Emptying the ice bin is recommended if the icemaker ON/OFF button on the control panel is set to OFF for an extended period of time.

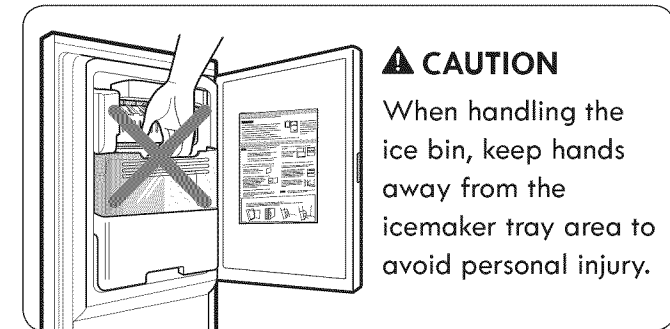
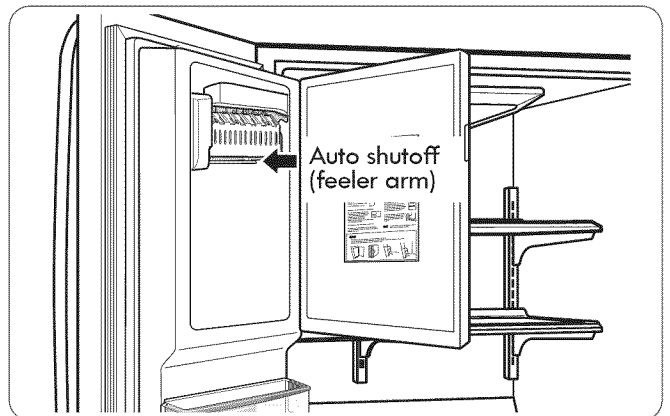
2. To remove the in-door ice bin, grip the front handle, slightly lift the lower part, and slowly pull out the bin as shown.



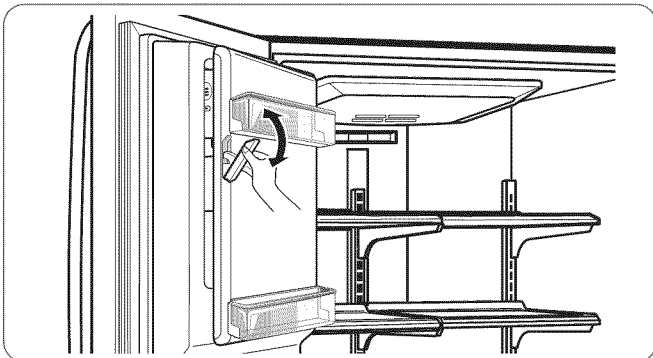
3. To reinstall the in-door ice bin, slightly slant the bin during replacement to avoid contact with the icemaker.



4. Avoid touching the auto shutoff (feeler arm) when replacing the ice bin. See the label on the ice compartment door for details.



1. Pull or push the door handle to open or close the ice compartment.



### AUTOMATIC ICEMAKER

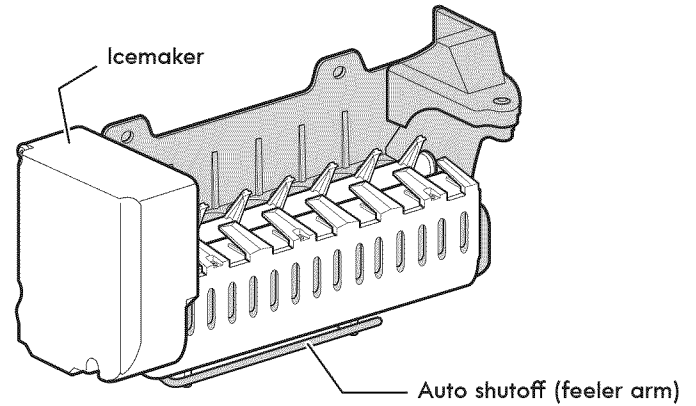
Ice is made in the automatic icemaker and sent to the dispenser. The icemaker will produce 70-182 cubes in a 24-hour period, depending on freezer compartment temperature, room temperature, number of door openings and other operating conditions.

- It takes about 12 to 24 hours for a newly installed refrigerator to begin making ice. Wait 72 hours for full ice production to occur.
- Ice making stops when the in-door ice bin is full. When full, the in-door ice bin holds approximately 6 to 8 (12-16 oz or 340-455 cc) glasses of ice.
- Foreign substances or frost on the auto shutoff (feeler arm) can interrupt ice production. Make sure the feeler arm is clean at all times for proper operation.
- To increase ice production, use the Ultra Ice function. This function increases both ice making and freezing capabilities.

## ⚠ WARNING

### Personal Injury Hazard

DO NOT place fingers or hands on the automatic ice making mechanism while the refrigerator is plugged in.



### AUTOMATIC ICEMAKER (continued)

#### ⚠ CAUTION

- The first ice and water dispensed may include particles or odor from the water supply line or the water tank.
- Throw away the first few batches of ice. This is also necessary if the refrigerator has not been used for a long time.
- Never store beverage cans or other items in the ice bin for the purpose of rapid cooling. Doing so may damage the icemaker or the containers may burst.
- If discolored ice is dispensed, check the water filter and water supply. If the problem continues, contact a Sears or other qualified service center. Do not use the ice or water until the problem is corrected.
- Keep children away from the dispenser. Children may play with or damage the controls.
- The ice passage may become blocked with frost if only crushed ice is used. Remove the frost that accumulates by removing the ice bin and clearing the passage with a rubber spatula. Dispensing cubed ice can also help prevent frost buildup.
- Never use thin crystal glass or crockery to collect ice. Such containers may chip or break resulting in glass fragments in the ice.
- Dispense ice into a glass before filling it with water or other beverages. Splashing may occur if ice is dispensed into a glass that already contains liquid.
- Never use a glass that is exceptionally narrow or deep. Ice may jam in the ice passage and refrigerator performance may be affected.
- Keep the glass at a proper distance from the ice outlet. A glass held too close to the outlet may prevent ice from dispensing.
- To avoid personal injury, keep hands out of the ice door and passage.
- Never remove the dispenser cover.
- If ice or water dispenses unexpectedly, turn off the water supply and contact Sears Home Service in the U.S.A. at 1-844-553-6667 and in Canada at 1-800-469-4663.

#### WHEN TO SET ICEMAKER TO OFF

- When the water supply will be shut off for several hours.
- When the ice bin is removed for more than one or two minutes.
- When the refrigerator will not be used for several days.

**NOTE:** The ice bin should be emptied when the icemaker ON/OFF button is turned to the **OFF** mode.

#### NORMAL SOUNDS YOU MAY HEAR

- If the icemaker ON/OFF button is set to ON, the valve will buzz even if the icemaker has not yet been hooked up to water. To stop the buzzing, switch the button to OFF.  
**NOTE:** Keeping the icemaker ON/OFF button set to ON before the water is connected can damage the icemaker.
- You will hear the sound of cubes dropping into the bin and water running in the pipes as the icemaker refills.

#### PREPARING FOR VACATION

Set the icemaker ON/OFF button to **OFF** and shut off the water supply to the refrigerator.

**NOTE:** The ice bin should be emptied any time the icemaker ON/OFF button is turned OFF.

If the ambient temperature will drop below freezing, have a qualified technician drain the water supply system to prevent serious property damage due to flooding caused by ruptured water lines or connections.

**FOOD STORAGE GUIDE**

Wrap or store food in the refrigerator in airtight and moisture-proof material unless otherwise noted. This prevents food odor and taste transfer throughout the refrigerator. For dated products, check date code to ensure freshness.

Items	How to
<b>Butter or margarine</b>	▶ Keep opened butter in a covered dish or closed compartment. When storing an extra supply, wrap in freezer packaging and freeze.
<b>Cheese</b>	▶ Store in the original wrapping until you are ready to use it. Once opened, rewrap tightly in plastic wrap or aluminum foil.
<b>Milk</b>	▶ Wipe milk cartons. For best storage, place milk on interior shelf, not on door shelf.
<b>Eggs</b>	▶ Store in original carton on interior shelf, not on door shelf.
<b>Fruit</b>	▶ Do not wash or hull the fruit until it is ready to be used. Sort and keep fruit in its original container, in a crisper, or store in a completely closed paper bag on a refrigerator shelf.
<b>Leafy vegetables</b>	▶ Remove store wrapping and trim or tear off bruised and discolored areas. Wash in cold water and drain. Place in plastic bag or plastic container and store in crisper.
<b>Vegetables with skins (carrots, peppers)</b>	▶ Place in plastic bags or plastic container and store in crisper.
<b>Fish</b>	▶ Store fresh fish and shellfish in the freezer section if they are not being consumed the same day of purchase. It is recommended to consume fresh fish and shellfish the same day purchased.
<b>Leftovers</b>	▶ Cover leftovers with plastic wrap or aluminum foil, or store in plastic containers with tight lids.

**STORING FROZEN FOOD**

**NOTE:** Check a freezer guide or a reliable cookbook for further information about preparing food for freezing or food storage times.

**Freezing**

Your freezer will not quick-freeze a large quantity of food. Do not put more unfrozen food into the freezer than will freeze within 24 hours (no more than 2 to 3 lbs. of food per cubic foot of freezer space). Leave enough space in the freezer for air to circulate around packages. Be careful to leave enough room at the front so the door can close tightly.

Storage times will vary according to the quality and type of food, the type of packaging or wrap used (how airtight and moisture-proof) and the storage temperature. Ice crystals inside a sealed package are normal. This simply means that moisture in the food and air inside the package have condensed, creating ice crystals.

**NOTE:** Allow hot foods to cool at room temperature for 30 minutes, then package and freeze. Cooling hot foods before freezing saves energy.

**Packaging**

Successful freezing depends on correct packaging. When you close and seal the package, it must not allow air or moisture in or out. If it does, you could have food odor and taste transfer throughout the refrigerator and could also dry out frozen food.

**Packaging recommendations:**

- Rigid plastic containers with tight-fitting lids
- Straight-sided canning/freezing jars
- Heavy-duty aluminum foil
- Plastic-coated paper
- Non-permeable plastic wraps
- Specified freezer-grade self-sealing plastic bags

Follow package or container instructions for proper freezing methods.

**Do not use**

- Bread wrappers
- Non-polyethylene plastic containers
- Containers without tight lids
- Wax paper or wax-coated freezer wrap
- Thin, semi-permeable wrap

**⚠ CAUTION:** Do not keep beverage cans or plastic food containers in the freezer compartment. They may break or burst if they freeze.

**WINE STORAGE GUIDE**

For your convenience and to save space, use the wine rack to store up to 4 standard sized bottles of wine.

**⚠ CAUTION:** Wine rack is designed for standard sized bottles. Use of larger or non-standard shaped bottles may prevent the refrigerator door from closing properly.

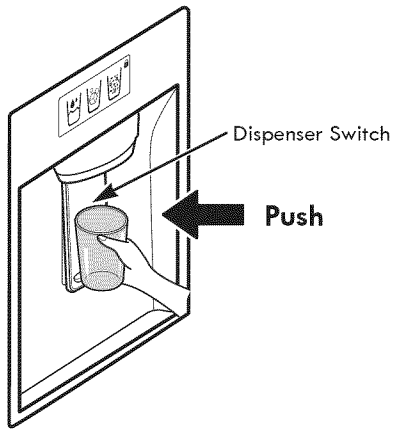


## REFRIGERATOR SECTION

### WATER DISPENSER

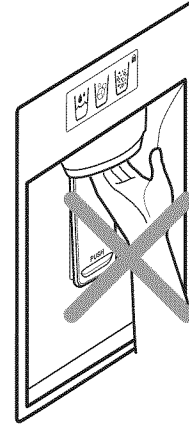
To dispense cold water, push on the dispenser switch with a glass.

**NOTE:** The dispenser is equipped with a light that turns on when the dispenser pad is engaged.



**⚠ WARNING:** Do not put your fingers up the ice chute opening. Doing so can result in severe injury.

**⚠ CAUTION:** Do not dispense ice into fine china or crystal glasses. China or crystal can break.



Some dripping may occur after dispensing. Hold your cup beneath the dispenser for a few seconds after dispensing to catch all of the drops.

## REFRIGERATOR SHELVES

The shelves in your refrigerator are adjustable to meet your individual storage needs. Your model may have glass or wire shelves.

Adjusting the shelves to fit different heights of items will make finding the exact item you want easier. Doing so will also reduce the amount of time the refrigerator door is open which will save energy.

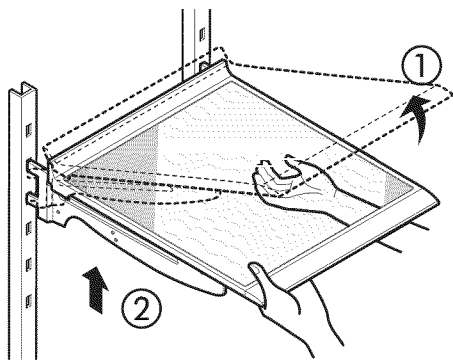
**IMPORTANT:** Do not clean glass shelves with warm water while they are cold. Shelves may break if exposed to sudden temperature changes or impact.

**⚠ CAUTION:** Glass shelves are heavy. Use special care when removing them.

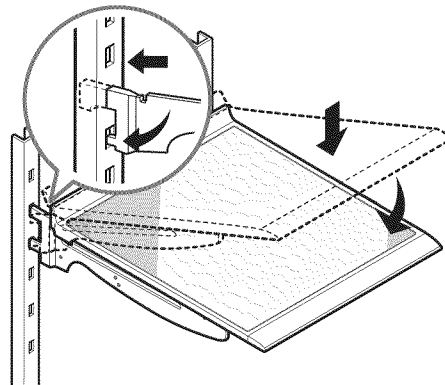
### Adjusting Shelves (Cantilever)

Remove shelves from the shipping position and replace shelves in the position you want.

**To remove a shelf**—Tilt up the front of the shelf in the direction of ① and lift it in the direction of ②. Pull the shelf out.



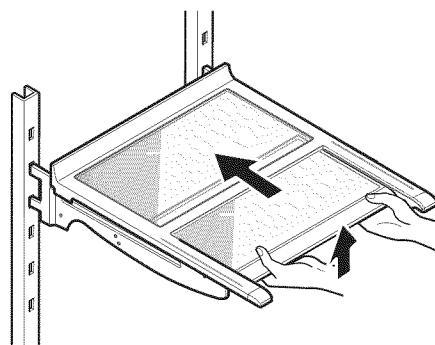
**To reinstall a shelf**—Tilt the front of the shelf up and guide the shelf hooks into the slots at a desired height. Then, lower the front of the shelf so that the hooks drop into the slots.



**⚠ CAUTION:** Make sure that shelves are level from one side to the other. Failure to do so may result in the shelf falling or spilling food.

### Folding Shelf (on some models)

You can store taller items, such as a gallon container or bottles, by simply pushing the front half of the shelf underneath the back half of the shelf. Pull the front of the shelf toward you to return to a full shelf.

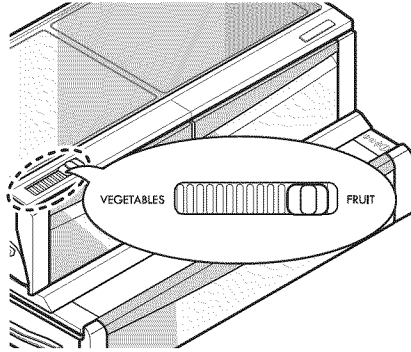


## HUMIDITY CONTROLLED CRISPER

The crispers provide fresher tasting fruit and vegetables by letting you easily control humidity inside the drawer.

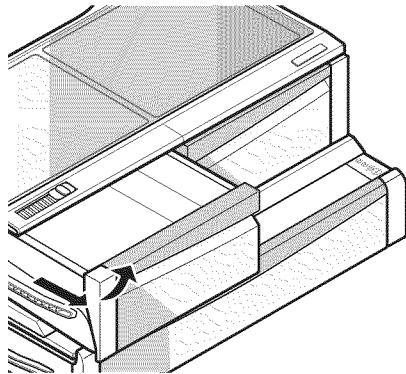
You can control the amount of humidity in the moisture-sealed crispers by adjusting the control to any setting between **VEGETABLES** and **FRUIT**.

- **VEGETABLES** keeps moist air in the crisper for best storage of fresh, leafy vegetables.
- **FRUIT** lets moist air out of the crisper for best storage of fruit.



## REMOVING THE HUMIDITY CONTROLLED CRISPER

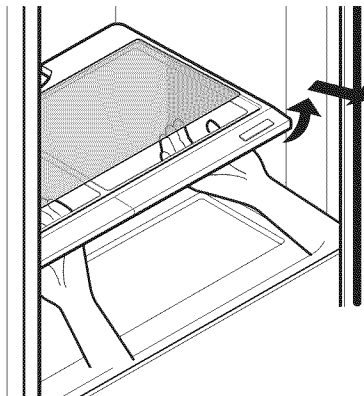
1. To remove, pull the drawer out to full extension.
2. Lift the front of the crisper up, then pull it straight out.
3. To install, slightly tilt up the front, insert the drawer into the frame and push it back into place.



### To remove the glass

1. Lift up the glass under the crisper cover.
2. Pull the glass up and out.

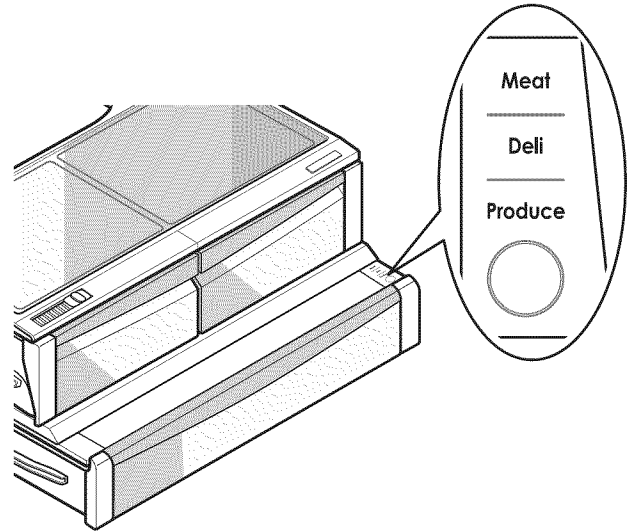
**NOTE:** Pantry drawer not shown for clarity.



## TEMPERATURE CONTROLLED PANTRY DRAWER

The **Temperature Controlled Pantry Drawer** provides storage space with a variable temperature control that can keep the compartment at a slightly different temperature than the refrigerator section. This drawer can be used for large party trays, deli items and beverages. (This drawer should not be used for vegetables that require high humidity.)

Press the button to choose between Meat (Coldest), Deli (Colder) and Produce (Cold).



**CAUTION:** Do not store glass bottles in the pantry. If they are frozen, they can break and cause personal injury.

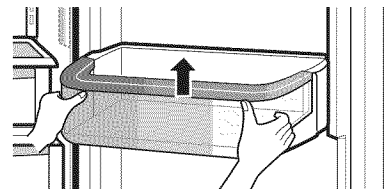
## DOOR BIN

The door bins are removable for easy cleaning and adjustment.

1. To remove the bin, simply lift the bin up and pull straight out.
2. To replace the bin, slide it in above the desired support and push down until it snaps into place.

**NOTE:** Some bins may vary in appearance and will only fit in one location.

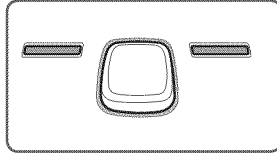
**CAUTION:** Do not overfill or pack items too tightly into door bins. Doing so may cause damage to the bin or personal injury if items are removed with excessive force.



## REPLACING THE AIR FILTER

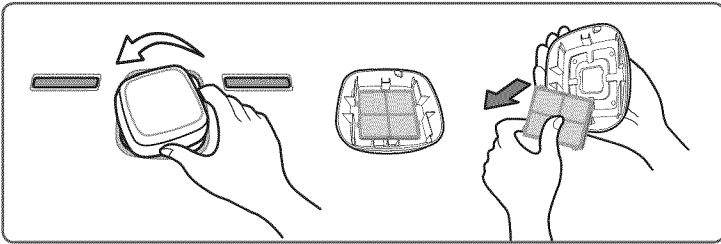
It is recommended that you replace the air filter:

- Approximately every six months.
- When the **CHANGE AIR FILTER** light turns on.



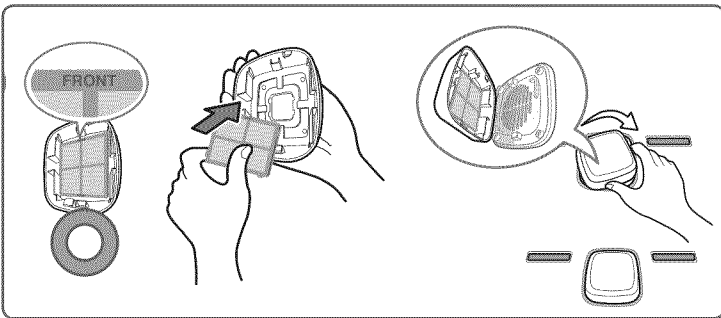
### 1. Remove the Old Filter

Turn the filter cover to the left to detach it from the refrigerator wall. The filter is located on the inside of the filter cover. Remove the filter from the cover and replace it with a new filter.



### 2. Install a New Air Filter.

Place the new filter inside of the cover with the side that says "Front" facing outward. Turn the filter cover to the right to attach it to the refrigerator wall.



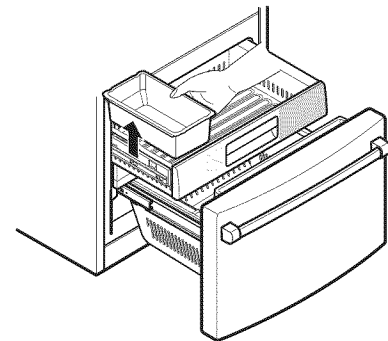
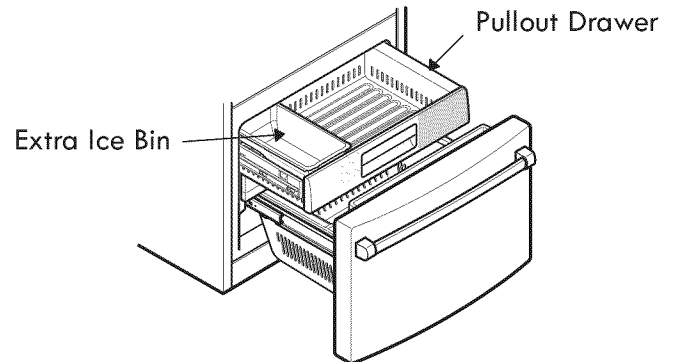
After changing the filter, push and hold the Air Filter button for three seconds to reset the filter sensor.

**NOTE:** To purchase a replacement air filter, visit your local Sears store, or in the U.S.A. call 1-844-553-6667, and in Canada 1-800-469-4663. For web purchase, visit: [www.kenmore.com](http://www.kenmore.com)

## FREEZER SECTION

### EXTRA ICE BIN

1. Pull the Freezer Drawer and the top Pullout Drawer out as far as possible to remove the Extra Ice Bin.
2. Gently lift and pull out the ice bin.
3. To replace, pull both drawers out as far as possible, and set the bin in its correct position in the Pullout Drawer. Close the Pullout Drawer and then the Freezer Drawer.

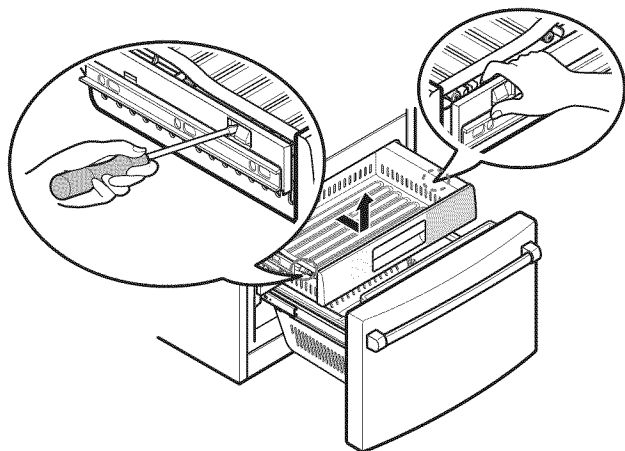


**▲ CAUTION:** Pinch hazard! Keep hands and feet clear of the bottom of the freezer drawer when opening and closing.

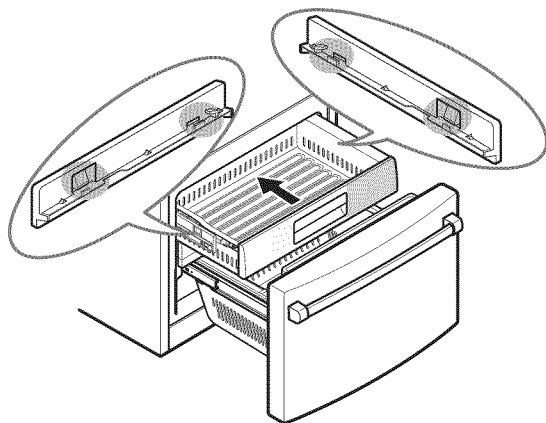
## PULLOUT DRAWERS

### Top Drawer

1. To remove, pull the drawer out to full extension. On the left rail, use a flat blade screwdriver to push in on the tab to release the drawer from the rail, as shown below. Once the left side is loose, push the tab on the right side with your finger to release the drawer. Lift the front of the drawer up, then pull it straight out.

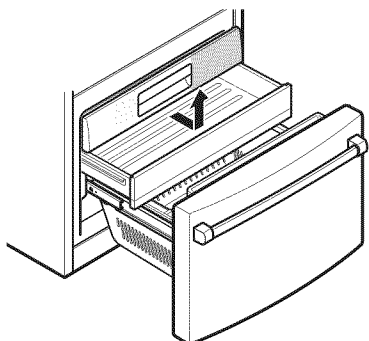


2. To replace, slightly tilt up the front of the drawer, insert the drawer into the frame, and push the drawer back into place until you hear a click.

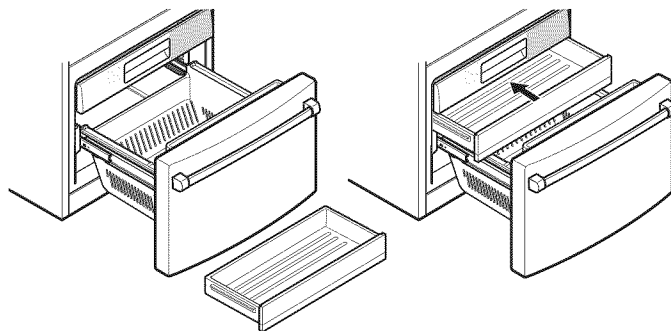


### Middle Drawer

1. To remove, pull the drawer out to full extension. Lift the front of the drawer up, then pull it straight out.

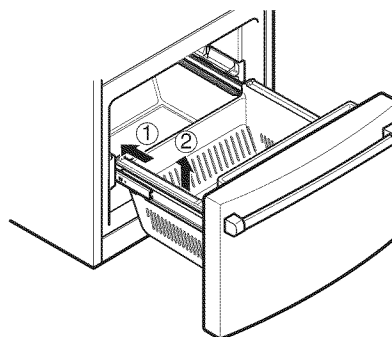


2. To replace, slightly tilt up the front of the drawer, insert the drawer into the frame, and push it back into place.



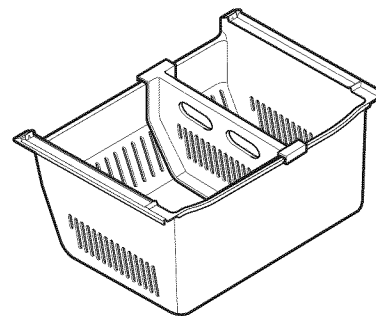
## DURABASE

1. To remove the Durabase, push it to the back as much as possible. Tilt up the front of the Durabase and pull straight out.
2. To replace, insert the Durabase in the rail assembly.



## DURABASE DIVIDER

The Durabase divider allows you to organize the Durabase area into sections. It can be adjusted from side to side to accommodate items of different sizes.



- ⚠ WARNING:** If the Durabase divider is removed, there is enough open space for children or pets to crawl inside. To prevent accidental child and pet entrapment or suffocation risk, **DO NOT** allow children or pets to touch or go near the drawer.

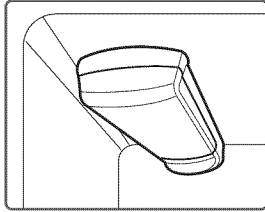
# WATER FILTER

## WATER FILTER



It is recommended that you replace the water filter:

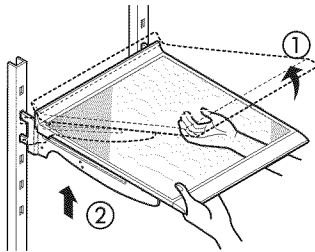
- Approximately every six months.
- When the water filter indicator turns on.
- When the water dispenser output decreases.
- When the ice cubes are smaller than normal.



### Before Replacing the Water Filter:

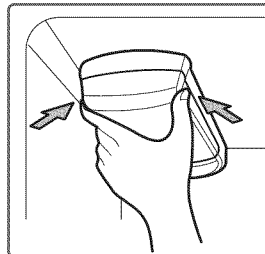
If the top shelf, located below the water filter, is in the highest position, it will need to be removed prior to replacing the water filter.

To remove any shelf—Tilt up the front of the shelf ① and lift it ②. Pull the shelf out.



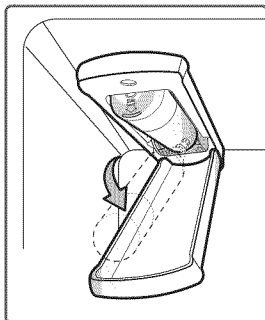
### 1. Remove the old water filter.

- Lower or remove the top left shelf to allow the water filter to rotate all the way down.
- Pinch the sides to open the water filter cover.



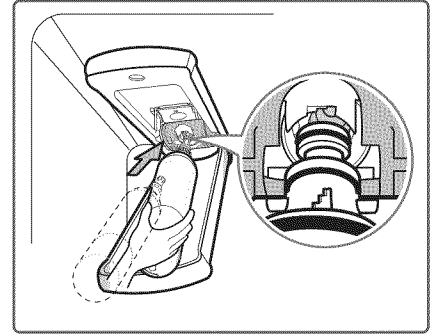
**NOTE:** Replacing the water filter causes a small amount of water (around 1 oz. or 25 cc) to drain. Place a cup under the front end of the water filter cover to collect any leaking water. Hold the water filter upright, once it is removed, to prevent any remaining water from spilling out of the water filter.

- Pull the water filter downward and pull out. Make sure to rotate the filter down completely before pulling it out of the manifold hole.

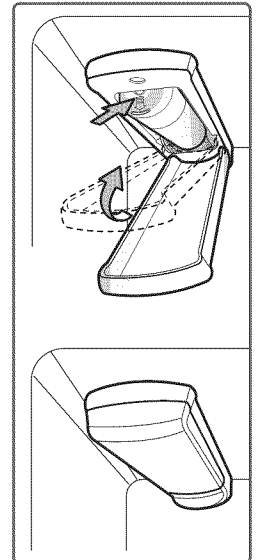


### 2. Replace with a new water filter.

- Take the new water filter out of its packing and remove the protective cover from the o-rings. With water filter tabs in the horizontal position, push the new water filter into the manifold hole until it stops.



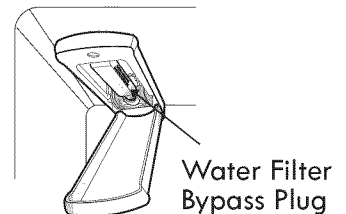
- Rotate the water filter up into position and close the cover. The cover will click when closed correctly.



3. After the water filter is replaced, dispense 2.5 gallons of water (flush for approximately 5 minutes) to remove trapped air and contaminants from the system. Do not dispense the entire 2.5 gallon amount continuously. Depress and release the dispenser pad for cycles of 30 seconds ON and 60 seconds OFF.

### 4. Water Filter Bypass Plug

Keep the water filter bypass plug. You **MUST** use the water filter bypass plug when a replacement water filter cartridge is not available.



**CAUTION:** DO NOT operate refrigerator without water filter or water filter plug installed.

**NOTE:** To purchase a replacement filter, visit your local Sears store, or in the U.S.A. call 1-844-553-6667, and in Canada 1-800-469-4663. For web purchase, visit: [www.kenmore.com](http://www.kenmore.com)

**Performance Data Sheet**

Use Replacement Cartridge: 04609690000P

The concentration of the indicated substances in water entering the system was reduced to a concentration less than or equal to the permissible limit for water leaving the system as specified in NSF/ANSI Standard 42 and Standard 53.



System tested and certified by NSF International against NSF/ANSI Standard 42 and Standard 53 for the reduction of substances listed below.

Contaminant Reduction	Average Influent	NSF specified Challenge Concentration	Avg % Reduction	Average Product Water Concentration	Max Permissible Product Water Concentration	NSF Reduction Requirements	NSF Test Report
Chlorine Taste and Odor	2.1 mg/L	2.0 mg/L ± 10%	97.2%	0.06 mg/L	N/A	≥ 50%	J-00049247
Nominal Particulate Class I, , ≥0.5 to < 1.0 µm	5,600,000 pts/mL	At least 10,000 particles/mL	98.7%	73,000 pts/ml	N/A	≥85%	J-00049282
Asbestos	190 MFL	107 to 108 MFL; fibers greater than 10 µm in length	>99%	< 1 MFL	N/A	≥99%	J-0004928
Atrazine	0.0094 mg/L	0.009 mg/L ± 10%	94.7%	0.00005 mg/L	0.003 mg/L	N/A	J-00049293
Benzene	0.016 mg/L	0.015 mg/L ± 10%	96.7%	0.005 mg/L	0.005 mg/L	N/A	J-00049300
Carbofuran	0.08 mg/L	0.08 mg/L ± 10%	98.1%	0.002 mg/L	0.04 mg/L	N/A	J-00049294
Lindane	0.002 mg/L	0.002 mg/L ± 10%	98.2%	0.00004 mg/L	0.0002 mg/L	N/A	J-00051975
P-Dichlorobenzene	0.22 mg/L	0.225 mg/L ± 10%	99.8%	0.0005 mg/L	0.075 mg/L	N/A	J-00049298
Toxaphene	0.014 mg/L	0.015 mg/L ± 10%	93%	0.001 mg/L	0.003 mg/L	N/A	J-00049302
2,4-D	0.213 mg/L	0.210 mg/L ± 10%	95.2%	0.009 mg/L	0.07 mg/L	N/A	J-00049284
Lead pH @6.5	0.150 mg/L	0.15 mg/L ± 10%	>99.3%	0.001 mg/L	0.010 mg/L	N/A	J-00051974
Lead pH @8.5	0.150 mg/L	0.15 mg/L ± 10%	>99.3%	0.001 mg/L	0.010 mg/L	N/A	J-00049277
Mercury @ pH 6.5	0.0059 mg/L	0.006 mg/L ± 10%	96.1	0.0002 mg/L	0.002 mg/L	N/A	J-00053886
Mercury @ pH 8.5	0.0058 mg/L	0.006 mg/L ± 10%	90.1	0.0006 mg/L	0.002 mg/L	N/A	J-00051972
Cyst*	120,000 cysts/L	Minimum 50,000 cysts/L	99.99%	<1 cyst/L	N/A	≥99.95%	J-00049281

\* Based on the use of Cryptosporidium parvum oocysts



Application Guidelines/Water Supply Parameters	
Service Flow	0.5 gpm (1.9 lpm)
Water Supply	Potable Water
Water Pressure	20-120 psi (138 - 827 kPa)
Water Temperature	33°F - 100°F (0.6°C - 38°C)

It is essential that the manufacturer's recommended installation, maintenance and water filter replacement requirements be carried out for the product to perform as advertised.

**NOTE:** While the testing was performed under standard laboratory conditions, actual performance may vary.

**NOTE:** To purchase a replacement filter, visit your local Sears store, or in the U.S.A. call 1-844-553-6667, and in Canada 1-800-469-4663.

For web purchase, visit: [www.kenmore.com](http://www.kenmore.com)  
Replacement Filter: ADQ36006102

Product distributed in the United States by Sears Brand Management Corporation.

3M is a trademark of 3M Company.

NSF is a trademark of NSF International.

© 2009 3M Company. All rights reserved.

## ⚠ WARNING

**To reduce the risk associated with ingestion of contaminants: Do not use with water that is microbiologically unsafe or of unknown quality without adequate disinfection before and after the system.** Systems certified for cyst reduction may be used on disinfected water that may contain filterable cysts. EPA Establishment Number 10350-MN-005

## ⚠ CAUTION

**To reduce the risk associated with property damage due to water leakage:**

- **Read and follow** the Water Filter instructions before installation and use of this system.
- Installation and use **MUST** comply with all state and local plumbing codes.
- **Do not** install if water pressure exceeds 120 psi (827 kPa). Contact a plumbing professional if you are uncertain of how to check your water pressure.
- **Do not** install where water hammer conditions may occur. If water hammer conditions exist, you must install a water hammer arrester. Contact a plumbing professional if you are uncertain of how to check for this condition.
- **Do not** install on hot water supply lines. The maximum operating water temperature of this water filter system is 100°F (38°C).
- **Protect water filter from freezing.** Do not operate refrigerator in ambient conditions below 55°F (12.7°C). Drain water filter when storing unit in temperatures below 40°F (4.4°C).
- The disposable water filter must be replaced every six months, at the rated capacity, or if a noticeable reduction in flow rate occurs.

State of California  
Department of Public Health  
Water Treatment Device  
Certificate Number  
09 - 2019

Date Issued: December 15, 2009

---

**Manufacturer:** Sears Roebuck and Co.

---

The water treatment device(s) listed on this certificate have met the testing requirements pursuant to Section 116830 of the Health and Safety Code for the following health related contaminants:

**Microbiological Contaminants and Turbidity**

Cysts

**Inorganic/Radiological Contaminants**

Asbestos

Lead

Mercury

**Organic Contaminants**

2,4-D Reduction

Atrazine

Benzene

Carbofuran

Lindane

p-Dichlorobenzene

Toxaphene

---

**Rated Service Capacity:** 200 gal

**Rated Service Flow:** 0.5 gpm

---

**Conditions of Certification:**

## CARE AND CLEANING

### **! WARNING**



#### **Explosion Hazard**

Use non-flammable cleaner. Failure to do so can result in fire, explosion, or death.

Both the refrigerator and freezer sections defrost automatically; however, clean both sections about once a month to prevent odors. Wipe up spills immediately.

#### **GENERAL CLEANING TIPS**

- Unplug refrigerator or disconnect power.
- Remove all removable parts, such as shelves, crispers, etc. Refer to sections in *Using Your Refrigerator* for removal instructions.
- Use a clean sponge or soft cloth and a mild detergent in warm water. Do not use abrasive or harsh cleaners.
- Hand wash, rinse and dry all surfaces thoroughly.
- Plug in refrigerator or reconnect power.

#### **EXTERIOR**

Waxing external painted metal surfaces helps provide rust protection. Do not wax plastic parts. Wax painted metal surfaces at least twice a year using appliance wax (or auto paste wax). Apply wax with a clean, soft cloth.

For products with a stainless steel exterior, use a clean sponge or soft cloth and a mild detergent in warm water. Do not use abrasive or harsh cleaners. Dry thoroughly with a soft cloth.

#### **INSIDE WALLS (allow freezer to warm up so the cloth will not stick)**

To help remove odors, you can wash the inside of the refrigerator with a mixture of baking soda and warm water. Mix 2 tablespoons of baking soda to 1 quart of water (26 g soda to 1 liter water.) Be sure the baking soda is completely dissolved so it does not scratch the surfaces of the refrigerator.

**! CAUTION:** While cleaning the inside, do not spray water.

#### **DOOR LINERS AND GASKETS**

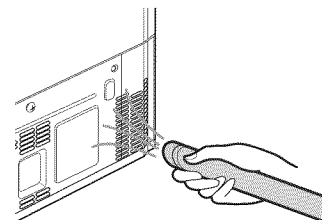
Use a clean sponge or soft cloth and a mild detergent in warm water. Do not use cleaning waxes, concentrated detergents, bleaches, or cleaners containing petroleum on plastic refrigerator parts.

#### **PLASTIC PARTS (Covers and Panels)**

Use a clean sponge or soft cloth and a mild detergent in warm water. Do not use window sprays, abrasive cleansers, or flammable fluids. These can scratch or damage the material.

#### **CONDENSER COILS**

Use a vacuum cleaner with an attachment to clean the condenser cover and vents. Do not remove the panel covering the condenser coil area.



### LIGHT BULB REPLACEMENT

#### **WARNING**

##### **Electrical Shock Hazard**

Before replacing a Compartment Lamp, either unplug the refrigerator or turn off power at the circuit breaker or fuse box.

**NOTE:** The refrigerator and freezer compartment lights have LED interior lighting, and service should be performed by a qualified technician.

### POWER INTERRUPTIONS

1. If the power will be out for 24 hours or less, keep all refrigerator doors closed to help foods stay cold and frozen.
2. If the power will be out for more than 24 hours, remove all frozen food and store it in a frozen food locker.

### WHEN YOU GO ON VACATION

**If you choose to leave the refrigerator on while you are away,** follow these steps to prepare your refrigerator before you leave.

1. Use up any perishables and freeze other items.
2. Turn off the icemaker and empty the ice bin.

**If you choose to turn the refrigerator off before you leave,** follow these steps.

1. Remove all food from the refrigerator.
2. Depending on your model, set the thermostat control (refrigerator control) to OFF. See the **Setting the Controls** section.
3. Clean the refrigerator, wipe it and dry well.
4. Tape rubber or wood blocks to the tops of both doors to prop them open far enough for air to get in. This stops odor and mold from building up.

### WHEN YOU MOVE

When you are moving your refrigerator to a new home, follow these steps to prepare it for the move.

1. Remove all food from the refrigerator and pack all frozen food in dry ice.
2. Unplug the refrigerator.
3. Clean, wipe and dry thoroughly.
4. Take out all removable parts, wrap them well and tape them together so they do not shift and rattle during the move. Refer to the **Using your Refrigerator** section for removable instructions.
5. Depending on the model, raise the front of the refrigerator so it rolls easier OR screw in the leveling legs all the way so they do not scrape the floor. See the **Door Closing** section.
6. Tape the doors shut and tape the power cord to the refrigerator cabinet.

When you get to your new home, put everything back and refer to the **Refrigerator Installation** section for preparation instructions.

# CONNECTING THE WATER LINE

## BEFORE YOU BEGIN

This water line installation is not covered by the refrigerator warranty. Follow these instructions carefully to minimize the risk of expensive water damage.

Water hammer (water banging in the pipes) in house plumbing can cause damage to refrigerator parts and can lead to water leakage or flooding. Call a qualified plumber to correct water hammer before installing the water supply line to the refrigerator.

**⚠ CAUTION:** To prevent burns and product damage, only connect the refrigerator water line to a cold water supply.

If you use your refrigerator before connecting the water line, make sure the icemaker is turned OFF at the control panel.

**⚠ CAUTION:** Do not install the icemaker tubing in areas where temperatures fall below freezing.

## WATER PRESSURE

**A cold water supply.** The water pressure must be between 20 and 120 psi. If the refrigerator is installed in an area with low water pressure (below 20 psi), you can install a booster pump to compensate for the low pressure.

If a **reverse osmosis water filtration system** is connected to your cold water supply, this water line installation is not covered by the refrigerator warranty. Follow the following instructions carefully to minimize the risk of expensive water damage.

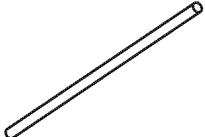
If a **reverse osmosis water filtration system** is connected to your cold water supply, the water pressure to the reverse osmosis system needs to be a minimum of 40 to 60 psi (276-414 kPa or 2.8-4.2 kgf/cm<sup>2</sup>, less than 2.0-3.0 sec. to fill a cup of 7 oz or 198 cc capacity).

If the water pressure from the reverse osmosis system is less than 20 psi or 138 kPa or 1.4 kgf/cm<sup>2</sup> (takes more than 4.0 sec to fill a cup of 7 oz or 198 cc capacity):

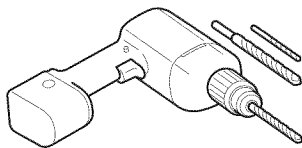
- Check to see if the sediment filter in the reverse osmosis system is blocked. Replace the filter if necessary.
- Allow the storage tank on the reverse osmosis system to refill after heavy usage.
- If the issue concerning water pressure from reverse osmosis remains, call a licensed, qualified plumber.
- All installations must be in accordance with local plumbing code requirements.

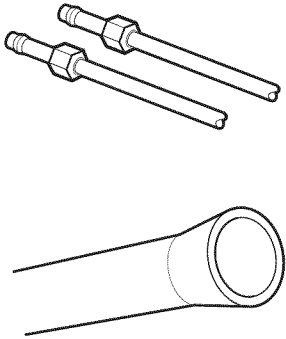
**⚠ CAUTION:** Wear eye protection during installation to prevent injury.

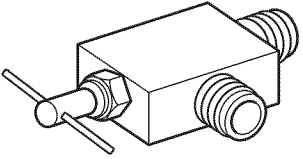
## WHAT YOU WILL NEED

- **Copper Tubing**, 1/4 in. outer diameter, to connect the refrigerator to the water supply. Be sure both ends of the tubing are cut square. 
- To determine how much tubing you need: measure the distance from the water valve on the back of the refrigerator to the water supply pipe. Then, add 8 feet (2.4 m). Be sure there is sufficient extra tubing (about 8 feet [2.4 m] coiled into 3 turns of about 10 in. [25 cm] diameter) to allow the refrigerator to move out from the wall after installation.

- **Power drill.**
- **1/2 in. or adjustable wrench.**
- **Flat blade and Phillips head screwdrivers.**

- **Two 1/4 in. outer diameter compression nuts and 2 ferrules (sleeves)** to connect the copper tubing to the shutoff valve and the refrigerator water valve. 

- If your existing copper water line has a flared fitting at the end, you will need an **adapter** (available at plumbing supply stores) to connect the water line to the refrigerator OR you can cut off the flared fitting with a tube cutter and then use a compression fitting. 

- **Shutoff valve to connect to the cold water line.** The shutoff valve should have a water inlet with a minimum inside diameter of 5/32 in. at the point of connection to the COLD WATER LINE. Saddle-type shutoff valves are included in many water supply kits. Before purchasing, make sure a saddle-type valve complies with your local plumbing codes. 

**NOTE:** A Self Piercing Saddle Type Water Valve should not be used.

## ⚠ WARNING

### Electrical Shock Hazard

When using any electrical device (such as a power drill) during installation, be sure the device is battery powered, double insulated or grounded in a manner that will prevent the hazard of electric shock.

## INSTALLATION INSTRUCTIONS

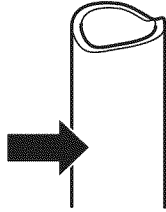
Install the shutoff valve on the nearest frequently used drinking water line.

### 1. SHUT OFF THE MAIN WATER SUPPLY

Turn on the nearest faucet to relieve the pressure on the line.

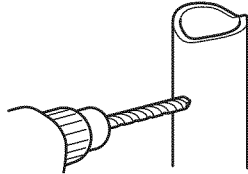
### 2. CHOOSE THE VALVE LOCATION

Choose a location for the valve that is easily accessible. It is best to connect into the side of a vertical water pipe. When it is necessary to connect into a horizontal water pipe, make the connection to the top or side, rather than at the bottom, to avoid drawing off any sediment from the water pipe.



### 3. DRILL THE HOLE FOR THE VALVE

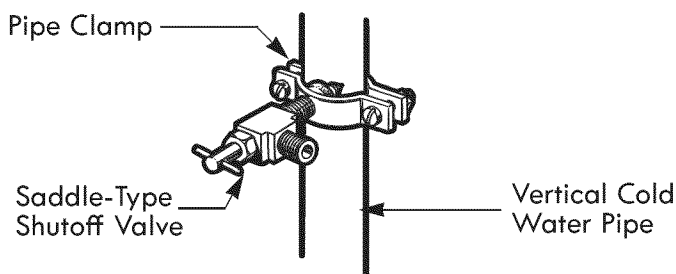
Drill a 1/4 in. hole in the water pipe using a sharp bit. Remove any burrs resulting from drilling the hole in the pipe. Be careful not to allow water to drain into the drill. Failure to drill a 1/4 in. hole may result in reduced ice production or smaller cubes.



**NOTE:** The hookup line cannot be white, plastic tubing. Licensed plumbers must use only copper tubing (NDA tubing #49595 or #49599) or Cross Link Polyethylene (PEX) tubing.

### 4. FASTEN THE SHUTOFF VALVE

Fasten the shutoff valve to the cold water pipe with the pipe clamp.

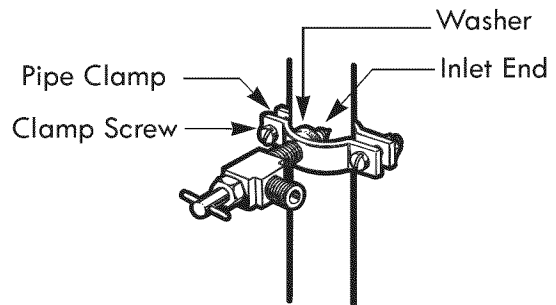


**NOTE:** Commonwealth of Massachusetts Plumbing Codes 248CMR shall be adhered to. Saddle valves are illegal and use is not permitted in Massachusetts. Consult with your licensed plumber.

### 5. TIGHTEN THE PIPE CLAMP

Tighten the clamp screws until the sealing washer begins to swell.

**NOTE:** Do not overtighten clamp or you may crush the tubing.



### 6. ROUTE THE TUBING

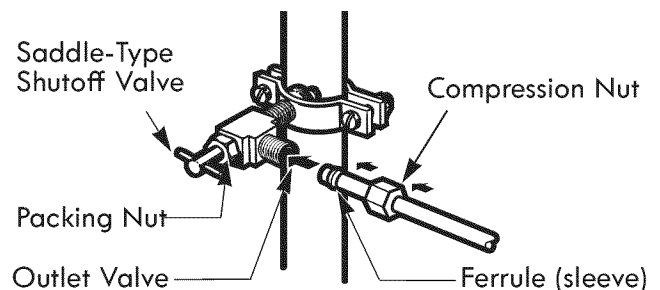
Route the tubing between the cold water line and the refrigerator.

Route the tubing through a hole drilled in the wall or floor (behind the refrigerator or adjacent base cabinet) as close to the wall as possible.

**NOTE:** Be sure there is sufficient extra tubing (about 8 feet coiled into 3 turns of about 10 in. diameter) to allow the refrigerator to move out from the wall after installation.

### 7. CONNECT THE TUBING TO THE VALVE

Place the compression nut and ferrule (sleeve) for copper tubing onto the end of the tubing and connect it to the shutoff valve. Make sure the tubing is fully inserted into the valve. Tighten the compression nut securely.

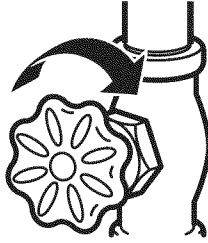


**NOTE:** Commonwealth of Massachusetts Plumbing Codes 248CMR shall be adhered to. Saddle valves are illegal and their use is not permitted in Massachusetts. Consult with your licensed plumber.

**8. FLUSH OUT THE TUBING**

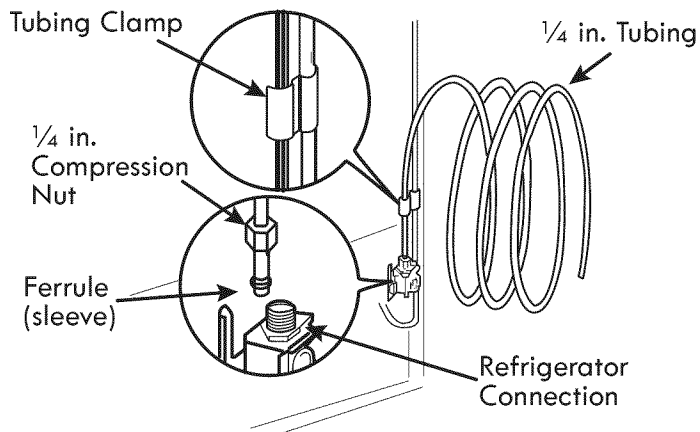
Turn the main water supply on and flush out the tubing until the water is clear.

Shut the water off at the water valve after about one quart of water has been flushed through the tubing.

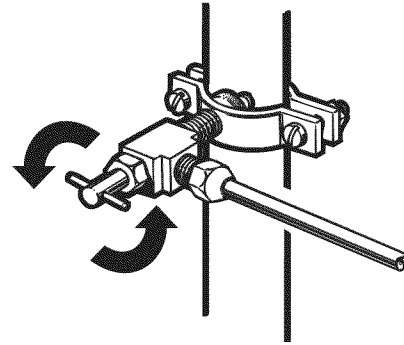
**9. CONNECT THE TUBING TO THE REFRIGERATOR****⚠ WARNING**

Before making the connection to the refrigerator, be sure that the refrigerator power cord is not plugged into the wall outlet.

1. Remove the plastic flexible cap from the water valve.
2. Place the compression nut and ferrule (sleeve) onto the end of the tubing as shown.
3. Insert the end of the copper tubing into the connection as far as possible. While holding the tubing, tighten the fitting.

**10. TURN THE WATER ON AT THE SHUTOFF VALVE**

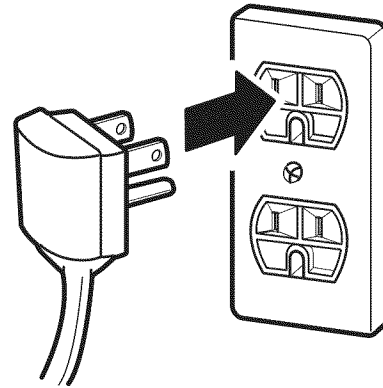
Tighten any connections that leak.



**⚠ CAUTION:** Check to see if leaks occur at the water line connections.

**11. PLUG IN THE REFRIGERATOR**

Arrange the coil of tubing so that it does not vibrate against the back of the refrigerator or against the wall. Push the refrigerator back to the wall.

**12. START THE ICEMAKER**

Turn the icemaker ON at the control panel.

The icemaker will not begin to operate until it reaches its operating temperature of 15°F (−9°C) or below. It will then begin operation automatically if the icemaker button has been turned ON.

# TROUBLESHOOTING GUIDE

Before conducting troubleshooting, make sure that the following basic requirements are met:

Service Flow	0.5 gpm (1.9 lpm)
Water Supply	Potable Water
Water Pressure	20-120 psi (138 - 827 kPa)
Operating Ambient Temperature Limits	55°F - 110°F
Electrical Ratings	115 Volts, 60 Hz, AC only, and fused at 15 or 20 amperes.

## COOLING

Problem	Possible Causes	Solutions
Refrigerator and Freezer section are not cooling.	The refrigerator control is set to OFF (some models).	Turn the control ON. Refer to the <b>Setting the Controls</b> section for proper temperature settings.
	Refrigerator is set to demo mode.	Demo Mode allows the lights and control display to work normally while disabling cooling to save energy while on the showroom floor. Refer to the <b>Setting the Controls</b> section for instructions on how to disable Demo Mode.
	Refrigerator is in the defrost cycle.	During the defrost cycle, the temperature of each compartment may raise slightly. Wait 30 minutes and confirm the proper temperature has been restored once the defrost cycle has completed.
	Refrigerator was recently installed.	It may take up to 24 hours for each compartment to reach the desired temperature.
	Refrigerator was recently relocated.	If the refrigerator was stored for a long period of time or moved on its side, it is necessary for the refrigerator to stand upright for 24 hours before connecting it to power.
Cooling System runs too much.	Refrigerator is replacing an older model.	Modern refrigerators require more operating time but use less energy due to more efficient technology.
	Refrigerator was recently plugged in or power restored.	The refrigerator will take up to 24 hours to cool completely.
	Door opened often or a large amount of food / hot food was added.	Adding food and opening the door warms the refrigerator, requiring the compressor to run longer in order to cool the refrigerator back down. In order to conserve energy, try to get everything you need out of the refrigerator at once, keep food organized so it is easy to find, and close the door as soon as the food is removed. (Refer to the <b>Food Storage Guide</b> .)
	Doors are not closed completely.	Firmly push the doors shut. If they will not shut all the way, see the <b>Doors will not close completely or pop open</b> section in <b>Parts &amp; Features Troubleshooting</b> .
	Refrigerator is installed in a hot location.	The compressor will run longer under warm conditions. At normal room temperatures (70°F) expect your compressor to run about 40% to 80% of the time. Under warmer conditions, expect it to run even more often. The refrigerator should not be operated above 110°F.
	Condenser / back cover is clogged.	Use a vacuum cleaner with an attachment to clean the condenser cover and vents. Do not remove the panel covering the condenser coil area.

## COOLING

Problem	Possible Causes	Solutions
Refrigerator or Freezer section is too warm.	Refrigerator was recently installed.	It may take up to 24 hours for each compartment to reach the desired temperature.
	Air vents are blocked.	Rearrange items to allow air to flow throughout the compartment. Refer to the Airflow diagram in the Using Your Refrigerator section.
	Doors are opened often or for long periods of time.	When the doors are opened often or for long periods of time, warm, humid air enters the compartment. This raises the temperature and moisture level within the compartment. To lessen the effect, reduce the frequency and duration of door openings.
	Unit is installed in a hot location.	The refrigerator should not be operated in temperatures above 110F.
	A large amount of food or hot food was added to either compartment.	Adding food warms the compartment requiring the cooling system to run. Allowing hot food to cool to room temperature before putting it in the refrigerator will reduce this effect.
	Doors not closed correctly.	See the Doors will not close correctly or pop open section in Parts & Features Troubleshooting.
	Temperature control is not set correctly.	If the temperature is too warm, adjust the control one increment at a time and wait for the temperature to stabilize. Refer to the Setting the Controls section for more information.
	Defrost cycle has recently completed.	During the defrost cycle, the temperature of each compartment may raise slightly and condensation may form on the back wall. Wait 30 minutes and confirm the proper temperature has been restored once the defrost cycle has completed.
Interior moisture buildup.	Doors are opened often or for long periods of time.	When the doors are opened often or for long periods of time, warm, humid air enters the compartment. This raises the temperature and moisture level within the compartment. To lessen the effect, reduce the frequency and duration of door openings.
	Doors not closed correctly.	See the Doors will not close correctly section in the Troubleshooting section.
	Weather is humid.	Humid weather allows additional moisture to enter the compartments when the doors are opened leading to condensation or frost. Maintaining a reasonable level of humidity in the home will help to control the amount of moisture that can enter the compartments.
	Defrost cycle recently completed.	During the defrost cycle, the temperature of each compartment may raise slightly and condensation may form on the back wall. Wait 30 minutes and confirm that the proper temperature has been restored once the defrost cycle has completed.
	Food is not packaged correctly.	Food stored uncovered or unwrapped, and damp containers can lead to moisture accumulation within each compartment. Wipe all containers dry and store food in sealed packaging to prevent condensation and frost.

**COOLING/ICE & WATER**

Problem	Possible Causes	Solutions
Food is freezing in the refrigerator compartment.	Food with high water content was placed near an air vent.	Rearrange items with high water content away from air vents.
	Refrigerator temperature control is set incorrectly.	If the temperature is too cold, adjust the control one increment at a time and wait for the temperature to stabilize. Refer to the <b>Setting the Controls</b> section for more information.
	Refrigerator is installed in a cold location.	When the refrigerator is operated in temperature below 41°F (5°C), food can freeze in the refrigerator compartment. The refrigerator should not be operated in temperature below 55°F (13°C).
Frost or ice crystals form on frozen food (outside of package).	Door is opened frequently or for long periods of time.	When the doors are opened often or for long periods of time, warm, humid air enters the compartment. This raises the temperature and moisture level within the compartment. Increased moisture will lead to frost and condensation. To lessen the effect, reduce the frequency and duration of door openings.
	Door is not closing properly.	Refer to the <b>Doors will not close correctly or pop open</b> section in the Troubleshooting section.
Refrigerator or Freezer section is too cold.	Incorrect temperature control settings.	If the temperature is too cold, adjust the control one increment at a time and wait for the temperature to stabilize. Refer to the <b>Setting the Controls</b> section for more information.
Frost or ice crystals on frozen food (inside of sealed package).	Condensation from food with a high water content has frozen inside of the food package.	This is normal for food items with a high water content.
	Food has been left in the freezer for a long period of time.	Do not store food items with high water content in the freezer for a long period of time.
Icemaker is not making enough ice.	Demand exceeds ice storage capacity.	The icemaker will produce approximately 70-182 cubes in a 24 hour period.
	House water supply is not connected, valve is not turned on fully, or valve is clogged.	Connect the refrigerator to a cold water supply with adequate pressure and turn the water shutoff valve fully open.  If the problem persists, it may be necessary to contact a plumber.
	Water filter has been exhausted.	It is recommended that you replace the water filter: <ul style="list-style-type: none"> <li>• Approximately every six months.</li> <li>• When the water filter indicator turns on.</li> <li>• When the water dispenser output decreases.</li> <li>• When the ice cubes are smaller than normal.</li> </ul>
	Low house water supply pressure.	The water pressure must be between 20 and 120 psi on models without a water filter and between 40 and 120 psi on models with a water filter.  If the problem persists, it may be necessary to contact a plumber or install a booster pump to compensate for the low pressure.
	Reverse Osmosis filtration system is used.	Reverse osmosis filtration systems can reduce the water pressure below the minimum amount and result in icemaker issues. (Refer to <b>Water Pressure</b> section.)
	Tubing connecting refrigerator to house supply valve is kinked.	The tubing can kink when the refrigerator is moved during installation or cleaning resulting in reduced water flow. Straighten or repair the water supply line and arrange it to prevent future kinks.



## ICE &amp; WATER

Problem	Possible Causes	Solutions
Icemaker is not making enough ice (continued).	Doors are opened often or for long periods of time.	If the doors of the unit are opened often, ambient air will warm the refrigerator which will prevent the unit from maintaining the set temperature. Lowering the refrigerator temperature can help, as well as not opening the doors as frequently.
	Doors are not closed completely.	If the doors are not properly closed, ice production will be affected. See the <b>Doors will not close completely or pop open</b> section in <b>Parts &amp; Features Troubleshooting</b> for more information.
	The temperature setting for the freezer is too warm.	The recommended temperature for the freezer compartment for normal ice production is 0°F. If the freezer temperature is warmer, ice production will be affected.
Dispensing water slowly.	Water filter has been exhausted.	It is recommended that you replace the water filter: <ul style="list-style-type: none"> <li>• Approximately every six months.</li> <li>• When the water filter indicator turns on.</li> <li>• When the water dispenser output decreases.</li> <li>• When the ice cubes are smaller than normal.</li> </ul>
	Reverse osmosis filtration system is used.	Reverse osmosis filtration systems can reduce the water pressure below the minimum amount and result in icemaker issues.  If the problem persists, it may be necessary to contact a plumber or install a booster pump to compensate for the low pressure.
	Low house water supply pressure.	The water pressure must be between 20 and 120 psi on models without a water filter and between 40 and 120 psi on models with a water filter.  If the problem persists, it may be necessary to contact a plumber or install a booster pump to compensate for the low pressure.
Not dispensing ice.	Doors are not closed completely.	Ice will not dispense if any of the refrigerator doors are left open.
	Infrequent use of the dispenser.	Infrequent use of the ice dispenser will cause the cubes to stick together over time, which will prevent them from properly dispensing. Check the ice bin for ice cubes clumping/sticking together. If they are, break up the ice cubes to allow for proper operation.
	The delivery chute is clogged with frost or ice fragments.	Eliminate the frost or ice fragments by removing the ice bin and clearing the chute with a plastic utensil. Dispensing cubed ice can also help prevent frost or ice fragment buildup.
	The dispenser display is locked.	Press and hold the Lock button for three seconds to unlock the control panel and dispenser.
	Ice bin is empty.	It may take up to 24 hours for each compartment to reach the desired temperature and for the icemaker to begin making ice. Make sure that the shutoff (arm/sensor) is not obstructed.  Once the ice supply in the bin has been completely exhausted, it may take up to 90 minutes before additional ice is available, and approximately 24 hours to completely refill the bin.

## ICE &amp; WATER

Problem	Possible Causes	Solutions
Icemaker is not making ice.	Refrigerator was recently installed or icemaker recently connected.	It may take up to 24 hours for each compartment to reach the desired temperature and for the icemaker to begin making ice.
	Icemaker not turned on.	Locate the icemaker ON/OFF button and confirm that it is turned ON.
	The refrigerator is not connected to a water supply or the supply shutoff valve is not turned on.	Connect refrigerator to the water supply and turn the water shutoff valve fully open.
	Icemaker shutoff (feeler arm) obstructed.	If your icemaker is equipped with an ice shutoff arm, make sure that the arm moves freely.
	Reverse osmosis water filtration system is connected to your cold water supply.	Reverse osmosis filtration systems can reduce the water pressure below the minimum amount and result in icemaker issues. (Refer to the <b>Water Pressure</b> section.)
Not dispensing water.	New installation or water line recently connected.	Dispense 2.5 gallons of water (flush for approximately 5 minutes) to remove trapped air and contaminants from the system. Do not dispense the entire 2.5 gallon amount continuously. Depress and release the dispenser pad for cycles of 30 seconds ON and 60 seconds OFF.
	The dispenser panel is locked.	Press and hold the Lock button for three seconds to unlock the control panel and dispenser.
	The dispenser is not set for water dispensing.	The dispenser can be set for ice or water. Make certain that the control panel is set for the proper operation. Press the <b>Water</b> button on the control panel to dispense water.
	Refrigerator or freezer doors are not closed properly.	Water will not dispense if any of the refrigerator doors are left open.
	Water filter has been recently removed or replaced.	After the water filter is replaced, dispense 2.5 gallons of water (flush for approximately 5 minutes) to remove trapped air and contaminants from the system. Do not dispense the entire 2.5 gallon amount continuously. Depress and release the dispenser pad for cycles of 30 seconds ON and 60 seconds OFF.
	Tubing connecting refrigerator to house supply valve is kinked.	The tubing can kink when the refrigerator is moved during installation or cleaning resulting in reduced water flow. Straighten or repair the water supply line and arrange it to prevent future kinks.
	The house water supply is not connected, the valve is not turned on fully, or the valve is clogged.	Connect refrigerator to the water supply and turn the water shutoff valve fully open.  If the problem persists, it may be necessary to contact a plumber.

## ICE &amp; WATER

Problem	Possible Causes	Solutions
Ice has bad taste or odor.	Water supply contains minerals such as sulfur.	A water filter may need to be installed to eliminate taste and odor problems. <b>NOTE:</b> In some cases, a filter may not help. It may not be possible to remove all minerals / odor / taste in all water supplies.
	Icemaker was recently installed.	Discard the first few batches of ice to avoid discolored or bad tasting ice.
	Ice has been stored for too long.	Ice that has been stored for too long will shrink, become cloudy, and may develop a stale taste. Throw away old ice and make a new supply.
	The food has not been stored properly in either compartment.	Rewrap the food. Odors may migrate to the ice if food is not wrapped properly.
	The interior of the refrigerator needs to be cleaned.	See the <b>Care and Cleaning</b> section for more information.
	The ice storage bin needs to be cleaned.	Empty and wash the bin (discard old cubes). Make sure that the bin is completely dry before reinstalling it.
Dispensing warm water.	Refrigerator was recently installed.	Allow 24 hours after installation for the water storage tank to cool completely.
	The water dispenser has been used recently and the storage tank was exhausted.	Depending on your specific model, the water storage capacity will range from approximately 20 to 30 oz.
	Dispenser has not been used for several hours.	If the dispenser has not been used for several hours, the first glass dispensed may be warm. Discard the first 10 oz.
	Refrigerator is connected to the hot water supply.	Make sure that the refrigerator is connected to a cold water pipe. <b>⚠WARNING:</b> Connecting the refrigerator to a hot water line may damage the icemaker.
Water has bad taste or odor.	Water supply contains minerals such as sulfur.	A water filter may need to be installed to eliminate taste and odor problems.
	Water filter has been exhausted.	It is recommended that you replace the water filter: <ul style="list-style-type: none"> <li>• Approximately every 6 months.</li> <li>• When the water filter indicator turns on.</li> <li>• When the water dispenser output decreases.</li> <li>• When the ice cubes are smaller than normal.</li> </ul>
	Refrigerator was recently installed.	Dispense 2.5 gallons of water (flush for approximately 5 minutes) to remove trapped air and contaminants from the system. Do not dispense the entire 2.5 gallon amount continuously. Depress and release the dispenser pad for cycles of 30 seconds ON and 60 seconds OFF.
Icemaker is making too much ice.	Icemaker shutoff (feeler arm) is obstructed.	Empty the ice bin. If your icemaker is equipped with an ice shutoff arm, make sure that the arm moves freely. Reinstall the ice bin and wait 24 hours to confirm proper operation.

## NOISE

Problem	Possible Causes	Solutions
Clicking	The defrost control will click when the automatic defrost cycle begins and ends. The thermostat control (or refrigerator control on some models) will also click when cycling on and off.	Normal Operation
Rattling	Rattling noises may come from the flow of refrigerant, the water line on the back of the unit, or items stored on top of or around the refrigerator.	Normal Operation
	Refrigerator is not resting solidly on the floor.	Floor is weak or uneven or leveling legs need to be adjusted. See the Door Alignment section.
	Refrigerator with linear compressor was jarred while running.	Normal Operation
Whooshing	Evaporator fan motor is circulating air through the refrigerator and freezer compartments.	Normal Operation
	Air is being forced over the condenser by the condenser fan.	Normal Operation
Gurgling	Refrigerant flowing through the cooling system.	Normal Operation
Popping	Contraction and expansion of the inside walls due to changes in temperature.	Normal Operation
Sizzling	Water dripping on the defrost heater during a defrost cycle.	Normal Operation
Vibrating	If the side or back of the refrigerator is touching a cabinet or wall, some of the normal vibrations may make an audible sound.	To eliminate the noise, make sure that the sides and back cannot vibrate against any wall or cabinet.
Dripping	Water running into the drain pan during the defrost cycle.	Normal Operation
Pulsating or High-Pitched Sound	Your refrigerator is designed to run more efficiently to keep your food items at the desired temperature. The high efficiency compressor may cause your new refrigerator to run longer than your old one, but it is still more energy efficient than previous models. While the refrigerator is running, it is normal to hear a pulsating or high-pitched sound.	Normal Operation

## PARTS &amp; FEATURES

Problem	Possible Causes	Solutions
Doors will not close correctly or pop open.	Food packages are blocking the door open.	Rearrange food containers to clear the door and door shelves.
	Ice bin, crisper cover, pans, shelves, door bins, or baskets are out of position.	Push bins all the way in and put crisper cover, pans, shelves and baskets into their correct positions. See the <b>Using Your Refrigerator</b> section for more information.
	The doors were removed during product installation and not properly replaced.	Remove and replace the doors according to the <b>Removing and Replacing Refrigerator Handles and Doors</b> section.
	Refrigerator is not leveled properly.	See <b>Door Alignment</b> in the <b>Refrigeration Installation</b> section to level refrigerator.
Doors are difficult to open.	The gaskets are dirty or sticky.	Clean the gaskets and the surfaces that they touch. Rub a thin coat of appliance polish or kitchen wax on the gaskets after cleaning.
	Door was recently closed.	When you open the door, warmer air enters the refrigerator. As the warm air cools, it can create a vacuum. If the door is hard to open, wait one minute to allow the air pressure to equalize, then see if it opens more easily.
Refrigerator wobbles or seems unstable.	Leveling legs are not adjusted properly.	Refer to the <b>Leveling and Door Alignment</b> section.
	Floor is not level.	It may be necessary to add shims under the leveling legs or rollers to complete installation.
Lights do not work.	LED interior lighting failure.	The refrigerator compartment lamp is LED interior lighting, and service should be performed by a qualified technician. Refer to the <b>Light Bulb Replacement</b> section.
Refrigerator has an unusual odor.	The Air Filter may need to be set to the MAX setting or replaced.	Set the Air Filter to the MAX setting. If the odor does not go away within 24 hours, the filter may need to be replaced. See the <b>Replacing the Air Filter</b> section for replacement instructions.
The interior of the refrigerator is covered with dust or soot.	The refrigerator is located near a fire source, such as a fireplace, chimney or candle.	Make sure that the refrigerator is not located near a fire source, such as a fireplace, chimney or candle.

## Kenmore Connect™ (On some models)

Should you experience any problems with your refrigerator, it has the capability of transmitting data via your telephone to the Kenmore Connect™ Team. This gives you the capability of speaking directly to our trained specialists. The specialist records the data transmitted from your machine and uses it to analyze the issue, providing a fast effective diagnosis.

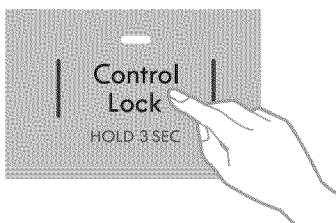
If you experience problems with your refrigerator, in the U.S.A. call 1-844-553-6667 and in Canada call 1-800-469-4663. Only use the Kenmore Connect™ feature when instructed to do so by the Kenmore Connect™ Team agent. The transmission sounds that you will hear are normal and sound similar to a fax machine.

Kenmore Connect™ cannot be activated unless your refrigerator is connected to power. If your refrigerator is unable to turn on, then troubleshooting must be done without using Kenmore Connect™.

## Using Kenmore Connect™

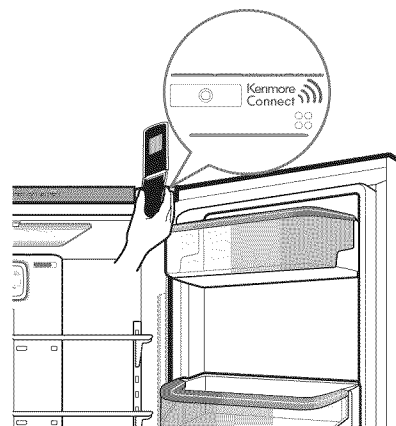
First, call 1-844-553-6667 (U.S.A.) or 1-800-469-4663 (Canada). If the number of the phone you are using is on file and is associated with your refrigerator, you will be quickly relayed to a Kenmore Connect™ team agent. Only use the Kenmore Connect™ feature when instructed to do so by the Kenmore Connect™ Team agent.

1. Lock the display. To lock the display, press and hold the Control Lock button for three seconds. (If the display has been locked for over five minutes, you must deactivate the lock and then reactivate it.)

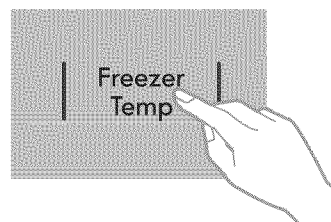


2. Open the right refrigerator door.

3. Hold the mouthpiece of your phone in front of the speaker that is located on the right hinge of the refrigerator door, when instructed to do so by the call center.



4. Press and hold the Freezer Temp button for three seconds while continuing to hold your phone to the speaker.



5. After you hear three beeps, release the Freezer Temp button.
6. Keep the phone in place until the tone transmission has finished. The display will count down the time. Once the countdown is over and the tones have stopped, resume your conversation with the specialist, who will then be able to assist you in using the information transmitted for analysis.

### NOTE:

- For best results, do not move the phone while the tones are being transmitted.
- If the call center agent is not able to get an accurate recording of the data, you may be asked to try again.

# ÍNDICE

<b>Garantía</b> .....	48	<b>► Sección congelador</b>	
<b>Contratos de protección</b> .....	49	Depósito de hielo adicional .....	72
<b>Instrucciones de seguridad importantes</b> .....	50-52	Cajón extraíble.....	73
<b>Requisitos eléctricos y de conexión a tierra</b> ....	52	Durabase .....	73
<b>Componentes y características</b> .....	53	Divisor Durabase.....	73
<b>Instalación del refrigerador</b> .....	54-61	<b>Filtro de agua</b> .....	74-77
Desembalaje del refrigerador .....	54	<b>Cuidado y limpieza</b> .....	78-79
Instalación .....	55	Sugerencias generales de limpieza .....	78
Desmontaje y colocación de las manijas y puertas del congelador.....	56-60	Exterior .....	78
Nivelación y alineación de las puertas .....	61	Paredes interiores.....	78
<b>Uso del refrigerador</b> .....	62-73	Revestimiento de las puertas y juntas.....	78
Ajuste de los controles .....	62-64	Piezas de plástico .....	78
Depósito de hielo del interior de la puerta.....	65	Bobinas del condensador .....	78
Máquina de hielo automática.....	66-67	Sustitución de la bombilla.....	79
Guía para el almacenamiento de alimentos .....	68	Interrupciones de alimentación.....	79
<b>► Sección refrigerador</b>		Cuando se va de vacaciones .....	79
Dispensador de agua.....	69	Cuando se muda.....	79
Estantes del refrigerador.....	70	<b>Conexión de la tubería de agua</b> .....	83-82
Cajón con control de humedad.....	71	<b>Guía para la solución de problemas</b> ....	83-90
Cajón dispensero con control de temperatura .....	71	<b>Kenmore Connect™</b> .....	91
Bandejas de puerta .....	71	<b>Servicio técnico</b> .....	Contraportada
Filtro de aire .....	72		



## GARANTÍA DEL REFRIGERADOR

### KENMORE PRO GARANTÍA LIMITADA

CON COMPROBANTE DE COMPRA, la siguiente cobertura de garantía aplica cuando este refrigerador se instala correctamente y se opera de acuerdo a las instrucciones proporcionadas.

**POR UN AÑO** a partir de la fecha de compra de este electrodoméstico contra defectos en materiales y mano de obra. Un electrodoméstico defectuoso recibirá reparación libre de cargos, o reemplazo a elección del vendedor. Esta cobertura de garantía aplica solamente por 90 días a partir de la fecha de compra en los Estados Unidos, y es nula en Canadá, si el electrodoméstico se emplea con propósitos diferentes al uso doméstico en el hogar.

**Garantía POR CINCO AÑOS**, a partir de la fecha de compra, en el sistema de refrigeración sellada en este electrodoméstico, contra defectos en materiales y mano de obra. Si una parte del sistema presenta defectos durante el primer año, se suministrará una nueva y se instalará sin cargo. Si una parte del sistema presenta defectos después del primer año, se suministrará una nueva pero no se instalará sin cargo. Usted es responsable de los costes de mano de obra para la instalación de los componentes después del primer año a partir de la fecha de compra. Esta cobertura de garantía aplica solamente por el primer año a partir de la fecha de compra en los Estados Unidos, y es nula en Canadá, si el electrodoméstico se emplea con propósitos diferentes al uso doméstico en el hogar.

El compresor lineal de este electrodoméstico tiene una garantía de **DIEZ AÑOS** contra defectos en materiales o mano de obra. Si el compresor presenta defectos durante el primer año, se suministrará uno nuevo y se instalará sin cargo. Si el compresor presenta defectos después del primer año, se suministrará uno nuevo pero no se instalará sin cargo. Usted es responsable de los costes de mano de obra para la instalación de los componentes después del primer año a partir de la fecha de compra. Esta cobertura de garantía aplica solamente por dos años a partir de la fecha de compra en Los Estados Unidos, y es nula en Canadá, si el electrodoméstico se emplea con propósitos diferentes al uso doméstico en el hogar.

Para conocer detalles acerca de la cobertura de garantía y para obtener reparación o reemplazo libre de cargos, visite la página web: [www.kenmore.com/warranty](http://www.kenmore.com/warranty)

#### Esta cobertura de garantía cubre **SOLAMENTE** defectos en materiales y mano de obra, y **NO** cubrirá gastos por:

1. Elementos consumibles que pueden desgastarse por el uso normal, incluyendo pero no limitados a; filtros, bandas, bolsas o bombillas eléctricas con base de rosca.
2. La visita de un técnico de servicio para limpieza o mantenimiento de este electrodoméstico, o para instruir al usuario acerca de la correcta instalación, operación y mantenimiento del electrodoméstico.
3. Llamadas solicitando servicio para corregir una instalación del electrodoméstico no realizada por agentes de servicio autorizados por Sears, o para reparar problemas originados por dicha instalación en fusibles domésticos, interruptores de circuito, cableado eléctrico doméstico y sistemas de plomería o suministro de gas.
4. Daños a, o fallas de este electrodoméstico, originados por una instalación no realizada por agentes de servicio autorizados por Sears, incluyendo una instalación no acorde con códigos eléctricos, de gas o plomería.
5. Daños a, o fallas de este electrodoméstico, incluyendo decoloración u oxidación de superficies, si no es correctamente operado y mantenido de acuerdo a las instrucciones proporcionadas.
6. Daños a, o fallas de este electrodoméstico, incluyendo decoloración u oxidación de superficies, originados por accidente, alteración, abuso, uso inapropiado o por empleo distinto a su intención de uso.
7. Daños a, o fallas de este electrodoméstico, incluyendo decoloración u oxidación de superficies, originados por uso de detergentes, limpiadores, químicos o utensilios distintos a los recomendados en las instrucciones proporcionadas con el producto.
8. Daños a, o fallas de partes o sistemas originados por modificaciones efectuadas sin autorización en este electrodoméstico.
9. Servicio a un electrodoméstico si la placa de modelo y número de serie está ausente, alterada o no puede determinarse fácilmente que tenga el logo de certificación.

#### Exención de garantías implícitas; limitación de remedios

El único y exclusivo remedio para el cliente bajo esta garantía limitada será la reparación del producto o su reemplazo, tal como se establece en este documento. Las garantías implícitas, incluyendo garantías de comerciabilidad o idoneidad para un propósito particular, quedan limitadas a un año para el electrodoméstico, cinco años para el sistema sellado, y diez años para el compresor lineal, o por el período más corto permitido por la ley. El vendedor no será responsable por daños y perjuicios incidentales o consecuentes. Algunos estados y provincias no permiten la exclusión de limitación de daños y perjuicios incidentales o consecuentes, o la limitación en la duración de garantías implícitas de comerciabilidad o idoneidad, por tanto, estas exclusiones o limitaciones pueden no aplicar en su caso.

Esta garantía solamente aplica cuando se utiliza este electrodoméstico en los Estados Unidos o en Canadá\*.

Esta garantía le confiere a usted derechos legales específicos, y usted puede también tener otros derechos que varían de estado a estado.

\* En Canadá no se dispone de servicio de reparación a domicilio en todas las áreas geográficas, esta garantía no cubrirá los gastos de desplazamiento del usuario o servicio técnico, ni gastos de transporte, si este producto se encuentra en un área remota (según lo define Sears Canadá Inc.) donde no se disponga de un servicio técnico autorizado.

Sears Brands Management Corporation, Hoffman Estates, IL 60179  
Sears Canada Inc., Toronto, Ontario, Canada M5B 2C3

# CONTRATOS DE PROTECCIÓN

## Contratos maestros de protección

Felicidades por haber realizado una compra inteligente. Su nuevo producto Kenmore® ha sido diseñado y fabricado para proporcionarle años de funcionamiento fiable. No obstante, al igual que cualquier otro producto, es posible que requiera un mantenimiento preventivo o alguna reparación cada cierto tiempo. Por este motivo, disponer de un contrato maestro de protección puede ahorrarle dinero y molestias.

El contrato maestro de protección también le ayuda a prolongar la vida de este nuevo producto. A continuación, se indica lo que incluye este contrato\*:

- **Material y mano de obra** necesarios para mantener los productos en funcionamiento **bajo uso normal**, no únicamente los defectos de fabricación. Nuestra cobertura es **muy superior a la garantía del producto**. No hay ninguna avería funcional deducible que se excluya de la cobertura: **se trata de una protección real**.
- **Servicio experto** llevado a cabo por un personal de **más de 10.000 técnicos de servicio expertos de Sears**, lo que significa que alguien en quien puede confiar trabajará en su producto.
- **Sin límite de solicitudes de reparación y servicio en el país**, con tanta frecuencia como desee y en cualquier momento.
- **Funcionamiento garantizado:** sustitución del producto cubierto por el servicio si se producen cuatro o más averías del producto en un plazo de 12 meses.
- **Sustitución del producto:** si el producto cubierto por el servicio no se puede reparar.
- **Comprobación anual de mantenimiento preventivo** si lo solicita, sin ningún gasto adicional.
- **Ayuda rápida por teléfono:** también llamada **solución rápida** – Asistencia por teléfono de un representante de Sears para cualquier producto. Puede pensar en nosotros como un “manual del usuario parlante”.

- **Protección de sobretensiones** contra daños eléctricos debidos fluctuaciones de energía.
- **Protección por pérdida de alimentos de 250 dólares** al año por cualquier alimento que quede inservible a consecuencia de un fallo mecánico de cualquier refrigerador o congelador cubierto por el servicio.
- **Reembolso del alquiler** si la reparación del producto cubierto por el servicio tarda más de lo previsto.
- **25% de descuento** del precio habitual de cualquier servicio de reparación y componente instalado relacionado no cubierto por el servicio.

Una vez adquirido el contrato, sólo tendrá que realizar una llamada de teléfono para programar el servicio. Puede llamarnos en cualquier momento del día o de la noche, o fijar la cita de la reparación a través de Internet.

El contrato maestro de protección es una compra sin riesgos. Si por cualquier motivo cancela el contrato durante el plazo de garantía del producto, le devolveremos todo el importe o bien una cantidad prorrateada una vez que haya finalizado el plazo de garantía del producto. Adquiera hoy mismo su contrato maestro de protección.

**Se aplican ciertas limitaciones y exclusiones.**

**Para consultar las tarifas y obtener más información en EE. UU. llame al número de teléfono 1-800-827-6655.**

**\* La cobertura en Canadá varía en algunos aspectos. Para obtener más información, llame a Sears Canada al 1-800-361-6665.**

### Servicio de instalación de Sears

Para solicitar la instalación profesional de Sears de electrodomésticos, mecanismos de apertura de puertas de garaje, calentadores de agua y otros electrodomésticos de gran tamaño, **llame en EE.UU. 1-844-553-6667. y llame en Canadá 1-800-469-4663.**

## REGISTRO DEL PRODUCTO

En el espacio siguiente, anote la fecha de la compra, el modelo y el número de serie del producto. Encontrará el modelo y el número de serie impreso en la placa de identificación situada en el revestimiento interior del compartimiento del refrigerador. Tenga esta información a mano siempre que se ponga en contacto con Sears en relación con su producto.

N.º de modelo \_\_\_\_\_

Fecha de compra \_\_\_\_\_

N.º de serie. \_\_\_\_\_

Guarde estas instrucciones y su ticket de compra para futuras consultas.

# INSTRUCCIONES IMPORTANTES SOBRE SEGURIDAD

## PRECAUCIONES BÁSICAS DE SEGURIDAD

Este manual contiene muchos mensajes de seguridad importantes. **Lea y cumpla** siempre todos los mensajes de seguridad.



Éste es el símbolo de alerta de seguridad. Le avisa de mensajes de seguridad que le informan de peligros de muerte o lesiones para usted o los demás, o que puedan dañar el producto.

Todos los mensajes de seguridad estarán precedidos del símbolo de alerta de seguridad y de las palabras de señal de peligro PELIGRO, ADVERTENCIA o PRECAUCIÓN. Estas palabras significan:

**! PELIGRO**

Si no respeta las instrucciones, **morirá o sufrirá lesiones graves.**

**! ADVERTENCIA**

Si no respeta las instrucciones, **podría morir o sufrir lesiones graves.**

**! PRECAUCIÓN**

Indica una situación de peligro inminente que, si no se evita, **podría** provocar lesiones leves o moderadas, o daños en el producto.

Todos los mensajes de seguridad le indicarán el peligro, lo que debe hacer para reducir la probabilidad de lesiones y lo que puede ocurrirle si no se siguen las instrucciones.

## **! ADVERTENCIA**

**Para reducir el riesgo de incendio, descarga eléctrica o lesiones personales al utilizar el producto, se deben respetar una serie de precauciones de seguridad básicas, entre las que se incluyen las siguientes:**

**Lea todas las instrucciones antes de utilizar este electrodoméstico.**

- NUNCA desenchufe el refrigerador tirando del cable de corriente. Agarre siempre el enchufe firmemente y tire del mismo para retirarlo de la toma de corriente.
- Si el cable de alimentación se encuentra dañado deberá ser sustituido por el fabricante, por un servicio técnico autorizado o personal cualificado para evitar riesgos innecesarios. No use un cable con grietas o abrasiones sobre su extensión o en los extremos del enchufe o conector.
- No modifique ni alargue la longitud del cable de corriente, ya que podría causar una descarga eléctrica o provocar un incendio.
- Cuando separe el refrigerador de la pared, tenga cuidado de no torcer o dañar el cable de alimentación.

- NO guarde ni utilice gasolina ni ningún otro gas o líquido inflamable cerca de este electrodoméstico o de cualquier otro.
- NO permita que los niños escalen, se monten o se cuelguen de las puertas o estantes del refrigerador. Podrían dañar el refrigerador o sufrir lesiones graves.
- Mantenga los dedos lejos de los puntos de riesgo de pinzamiento; las distancias de separación entre las puertas y los gabinetes son necesariamente pequeños. Tenga especial cuidado al cerrar las puertas cuando haya niños cerca.
- Desenchufe el refrigerador antes de limpiar o realizar cualquier reparación.

**NOTA:** Se recomienda encarecidamente que cualquier reparación sea realizada por un técnico cualificado.

## GUARDE ESTAS INSTRUCCIONES

## ⚠️ ADVERTENCIA

- Antes de sustituir una bombilla fundida o rota, desenchufe el refrigerador o corte la corriente en el disyuntor o caja de fusibles con el fin de evitar el contacto con un cable con corriente. (Una bombilla fundida puede romperse en el momento de cambiarla, por lo que queda expuesto un cable con corriente).

**NOTA:** Algunos modelos disponen de iluminación interior mediante LED, por lo que el mantenimiento deberá ser realizado por un técnico cualificado.

**ADVERTENCIA:** Poner uno o ambos controles en posición de apagado (OFF) no corta la alimentación de circuito de iluminación.

- Cuando haya terminado, vuelva a conectar el refrigerador a la red eléctrica y restablezca los controles (Termostato, Control del refrigerador y/o Control del congelador, en función del modelo) al ajuste deseado.
- Este refrigerador se debe instalar correctamente de acuerdo con las instrucciones importantes para el instalador incluidas en la hoja adhesiva pegada al frontal del refrigerador.
- Cuando el refrigerador esté en funcionamiento, no toque las superficies frías del compartimiento del congelador con las manos húmedas o mojadas. La piel se podría adherir a las superficies extremadamente frías.

- NO toque el mecanismo de fabricación automática de hielo mientras esté el refrigerador enchufado.
- NO vuelva a congelar alimentos congelados que se hayan descongelado completamente. El Departamento de Agricultura de Estados Unidos, en el boletín n.º 69 de Casa y Jardín, dice:

...Se pueden volver a congelar con seguridad alimentos congelados que se hayan descongelado si aún contienen cristales de hielo o si aún siguen fríos: por debajo de los 4 °C.

...La carne picada, la carne de ave o el pescado descongelados cuyo olor o color indiquen mal estado no deberían volver a congelarse ni deberían comerse. El helado descongelado se debe desechar. Si el olor o el color de cualquier alimento ha perdido frescura o es cuestionable, deséchelo. Comer este tipo de alimentos puede ser peligroso.

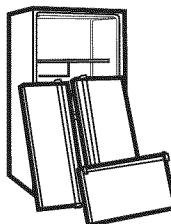
Incluso si se descongela parcialmente un alimento y se vuelve a congelar, su calidad alimenticia se ve reducida, particularmente si se trata de frutas, verduras y comida preparada. La calidad alimenticia de las carnes rojas se ve menos afectada que la de la mayoría de alimentos. Utilice los alimentos recongelados lo antes posible para salvaguardar el máximo de calidad.

**⚠️ ADVERTENCIA :** Este producto contiene químicos conocidos por el Estado de California como causantes de cáncer y defectos de nacimiento u otros daños reproductivos. *Lávese las manos después de usarlo.*

## GUARDE ESTAS INSTRUCCIONES

## ⚠️ PELIGRO: RIESGO DE ATRAPAMIENTO DE NIÑOS

Los refrigeradores desechados o abandonados son peligrosos, incluso si sólo es por unos pocos días. Si va a deshacerse de su antiguo refrigerador, le recomendamos que siga las instrucciones que encontrará a la derecha para evitar posibles accidentes (atrapamiento de niños y asfixia).



### ANTES DE DESECHAR SU ANTIGUO REFRIGERADOR O CONGELADOR:

- Desmonte las puertas.
- Deje los estantes en su sitio para que los niños no puedan trepar con facilidad al interior.

## ELIMINACIÓN DE CFC

Es posible que su antiguo refrigerador tenga un sistema de refrigeración que use CFC (clorofluorocarbonos). Se cree que los CFC son perjudiciales para el ozono estratosférico.

Si va a desechar su antiguo refrigerador, asegúrese de que un técnico cualificado se encargue de retirar el refrigerante de CFC para su adecuada eliminación. Si de forma intencionada libera este refrigerante de CFC, podría estar sujeto a multas y penas de prisión según lo previsto en la legislación medioambiental.

## REQUISITOS ELÉCTRICOS Y DE CONEXIÓN A TIERRA

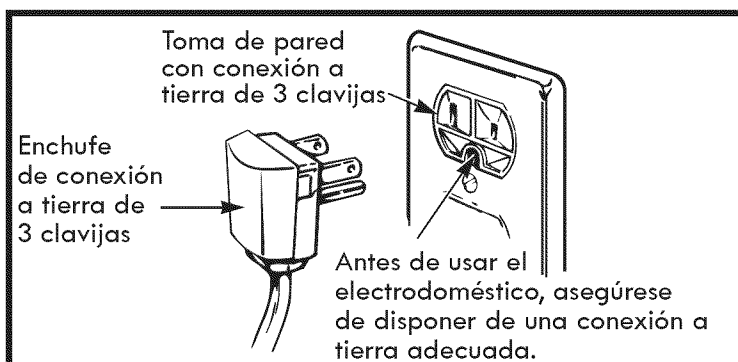
**IMPORTANTE:** Lea atentamente la siguiente información.

### PARA CONECTAR LA ELECTRICIDAD

#### **! ADVERTENCIA**

##### **Riesgo de descargas eléctricas**

**POR MOTIVOS DE SEGURIDAD PERSONAL**, este electrodoméstico debe estar conectado a tierra adecuadamente. Solicite a un electricista cualificado que compruebe la toma de corriente y el circuito eléctrico para asegurarse de que la toma de corriente está correctamente conectada a tierra.



### MÉTODO DE CONEXIÓN A TIERRA RECOMENDADO

El refrigerador debe estar siempre enchufado a su toma de corriente individual conectada a tierra adecuadamente con una tensión nominal de 115 voltios, 60 Hz, sólo CA, y protegida mediante fusible a 15 ó 20 amperios. Esta configuración proporciona el mejor rendimiento y, al mismo tiempo, evita la sobrecarga de la instalación eléctrica de la casa que podría provocar un peligro de incendio debido a un sobrecalentamiento de los cables. Se recomienda disponer de un circuito independiente para la exclusiva alimentación de este electrodoméstico.

Use un receptáculo que no se pueda apagar con un interruptor o una cadena de tracción. No utilice un alargador de corriente.

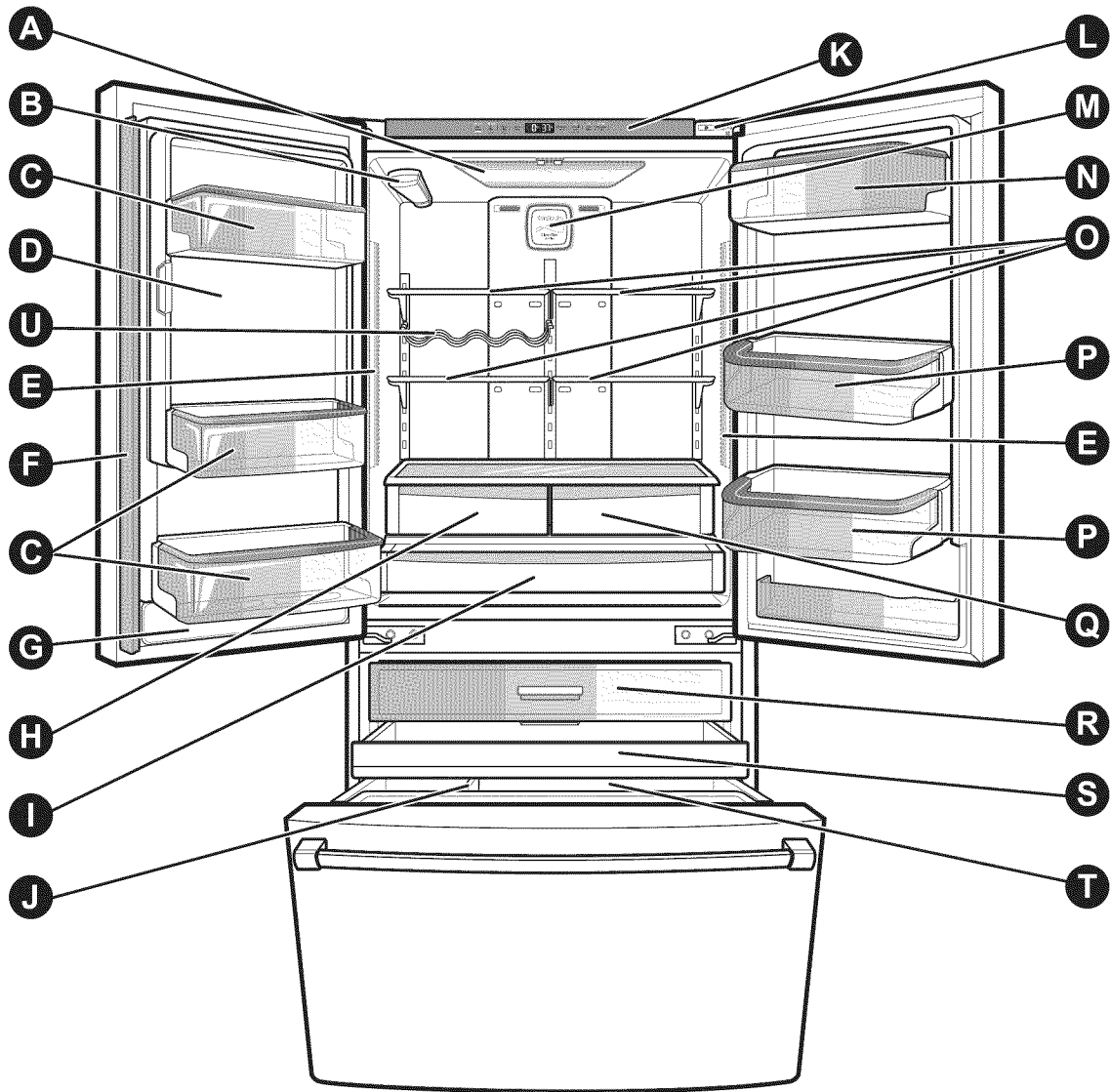
Si únicamente se dispone de una toma de corriente de 2 clavijas, será responsabilidad y obligación suya sustituirla por otra de 3 clavijas con una conexión a tierra adecuada.

### USO DE CABLES ALARGADORES

Debido a los posibles peligros de seguridad que se pueden producir bajo ciertas condiciones, no se recomienda el uso de un cable alargador. Sin embargo, si a pesar de ello elige usar un cable alargador, es absolutamente necesario que sea un cable alargador para electrodomésticos de 3 clavijas con conexión a tierra y clasificación UL (EE. UU.), que disponga de un enchufe y una toma de corriente con conexión a tierra, y que la clasificación eléctrica del cable sea de 15 amperios (mínimo) y 120 voltios.

El uso de un cable alargador aumentará la separación necesaria para la parte posterior del refrigerador.

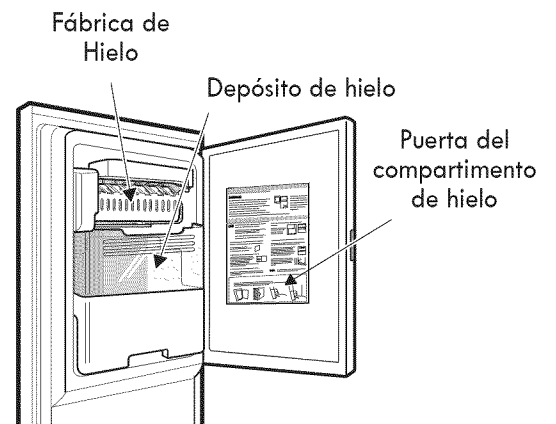
# COMPONENTES Y CARACTERÍSTICAS



Use esta página para familiarizarse con los componentes y características del refrigerador. Para su comodidad, se incluyen referencias a las páginas.

**NOTA:** Esta guía cubre varios modelos distintos. El refrigerador que ha adquirido puede tener algunos o todos los componentes que se enumeran a continuación. Es posible que las ubicaciones de las características que se indican no coincidan con su modelo.

- A** Luz del refrigerador
- B** Filtro de agua (interior)
- C** Bandejas de puerta fijas
- D** Compartimento de hielo (Máquina de hielo y depósito de hielo)
- E** Refrigerador de luz
- F** Parteluz articulado
- G** Tapa del depósito de agua
- H** Cajón con control de humedad
- I** Cajón dispensero con control de temperatura
- J** Divisor Durabase
- K** Panel de control
- L** Kenmore Connect™
- M** Filtro de aire
- N** Bandeja para lácteos
- O** Estantes del refrigerador
- P** Bandejas de puerta ajustables
- Q** Cajón hermético
- R** Cajón extraíble Top
- S** Medio cajón extraíble
- T** Durabase
- U** Estante del vino



# INSTALACIÓN DEL REFRIGERADOR

## **ADVERTENCIA**

### **Riesgo de peso excesivo:**

El desplazamiento e instalación del refrigerador deben realizarse entre dos o más personas. Si no se respeta esta advertencia, se podrán producir lesiones en la espalda o de otro tipo.

## **ADVERTENCIA**

### **Riesgo de peso excesivo:**

Su refrigerador es muy pesado. Al desplazarlo para su limpieza o mantenimiento, asegúrese de proteger el suelo. Siempre debe tirar del refrigerador en línea recta cuando los desplace. No menee ni zigzaguee el refrigerador al tratar de desplazarlo, ya que esto puede dañar el suelo.

## **DESEMBALAJE DEL REFRIGERADOR**

Antes de su uso, retire la cinta adhesiva y todas las etiquetas temporales del refrigerador. No retire las etiquetas que indican advertencias, la etiqueta de modelo y número de serie ni la Hoja técnica que está ubicada debajo del frontal del refrigerador, detrás de la rejilla de la base.

Para retirar los restos de pegamento o cinta adhesiva, frote enérgicamente el área con el pulgar. Los residuos de pegamento o cinta adhesiva también se pueden retirar fácilmente frotando con los dedos una pequeña cantidad de lavavajillas líquido sobre el adhesivo. Aclare con agua templada y seque el área.

No utilice instrumentos afilados, alcohol desinfectante, líquidos inflamables ni limpiadores abrasivos para retirar la cinta adhesiva o el pegamento. Estos productos pueden dañar la superficie del refrigerador.

Los estantes del refrigerador están instalados en la posición de transporte. Vuelva a colocar los estantes de acuerdo con sus necesidades personales de almacenamiento.

## **ADVERTENCIA**

### **Riesgo de explosión:**

Mantenga los materiales o vapores inflamables, como la gasolina, lejos del refrigerador. Si no se respeta esta advertencia, existe peligro de explosión, incendio o muerte.

## ANTES DE USAR

1. Limpie el refrigerador a fondo y quite todo el polvo acumulado durante el transporte.
2. Instale los accesorios como el depósito de cubito de hielo, los cajones, los estantes, etc., en su sitio. Están empaquetados juntos para evitar posibles daños durante el transporte.
3. Deje que el refrigerador esté en funcionamiento durante al menos dos o tres horas antes de almacenar comida dentro de él. Compruebe el flujo de aire frío en el compartimiento del congelador para asegurarse de que la refrigeración sea la adecuada. Su refrigerador ya está listo para su uso.

## INSTALACIÓN

El refrigerador debe estar siempre enchufado a su toma de corriente individual conectada a tierra adecuadamente con una tensión nominal de 115 voltios, 60 Hz, sólo CA, y protegida mediante fusible a 15 ó 20 amperios. Esta configuración proporciona el mejor rendimiento y, al mismo tiempo, evita la sobrecarga de la instalación eléctrica de la casa que podría provocar un peligro de incendio debido a un sobrecalentamiento de los cables. Se recomienda disponer de un circuito independiente para la exclusiva alimentación de este electrodoméstico.

### ⚠ ADVERTENCIA

#### Riesgo de descarga:

Para reducir el riesgo de descarga eléctrica, no instale el refrigerador en un área húmeda ni mojada.

## INSTALACIÓN (continuación)

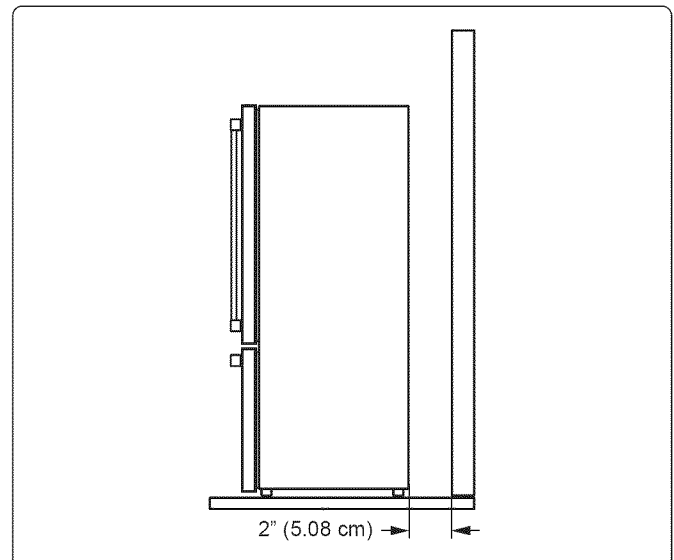
1. Para evitar el ruido y la vibración, es necesario nivelar la unidad e instalarla en un suelo sólidamente construido. Si es necesario, ajuste los pies de nivelación para compensar los desniveles del suelo. La parte delantera debe estar ligeramente más elevada que la posterior para ayudar al cierre de la puerta. Los pies de nivelación se pueden girar con facilidad inclinando ligeramente el aparato. Gire los pies de nivelación en sentido horario para elevar la unidad y en sentido antihorario para bajarla. (Consulte NIVELACIÓN Y ALINEACIÓN DE LAS PUERTAS).

**NOTA:** No se recomienda realizar la instalación sobre moqueta, superficies de baldosas flexibles, una plataforma o en una estructura con soporte inestable.

2. Instale este electrodoméstico en una zona donde la temperatura esté entre 13 °C (55 °F) y 43 °C (110 °F). Si la temperatura alrededor del electrodoméstico es demasiado baja o demasiado alta, la capacidad de refrigeración se verá gravemente afectada.
3. Seleccione un lugar en el que se pueda conectar fácilmente el suministro de agua para la máquina de hielo automática.

**NOTA:** La presión del agua debe ser 20-120 psi o 138-827 kPa o 1,4-8,4 kgf/cm<sup>2</sup>. If the refrigerator is installed in an area with low water pressure (below 20 psi), you can install a booster pump to compensate for the low pressure.

4. La distancia demasiado pequeña de superficies adyacentes puede minimizar la capacidad de congelación y aumentar los cargos de consumo eléctrico. Deje una distancia de 24 pulgadas (61 cm.) como mínimo al frente del refrigerador para poder abrir las puertas, y de al menos 2 pulgadas (5,08 cm.) entre la parte trasera del refrigerador y la pared.



**NOTA:** Siempre se recomienda desmontar las puertas cuando sea necesario desplazar el refrigerador a través de un espacio estrecho. Si es necesario desmontar las manijas, siga las instrucciones que se indican a continuación.

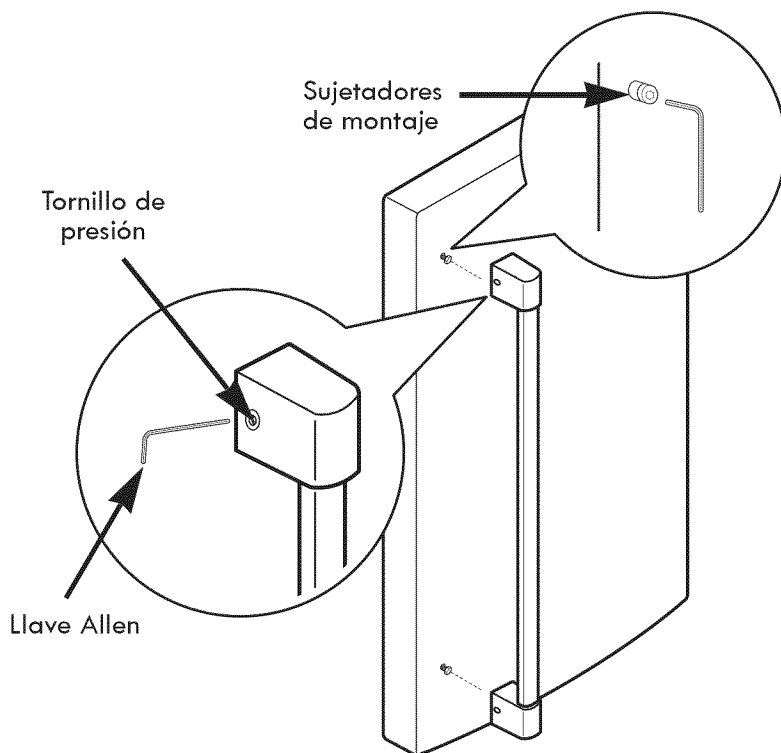
### CÓMO DESMONTAR LA MANIJA DE LA PUERTA DEL REFRIGERADOR

**NOTA:** El aspecto de la manija puede ser distinto del que aparece en las ilustraciones de esta página.

#### Desmontaje de la manija del refrigerador

Afloje los tornillos de presión con una llave Allen de 2,5 mm ( $3/32$  pulg.) y retire la manija.

**NOTA:** Si es necesario apretar o retirar los sujetadores de montaje de la manija, use una llave Allen de 6,4 mm ( $1/4$  pulg.).



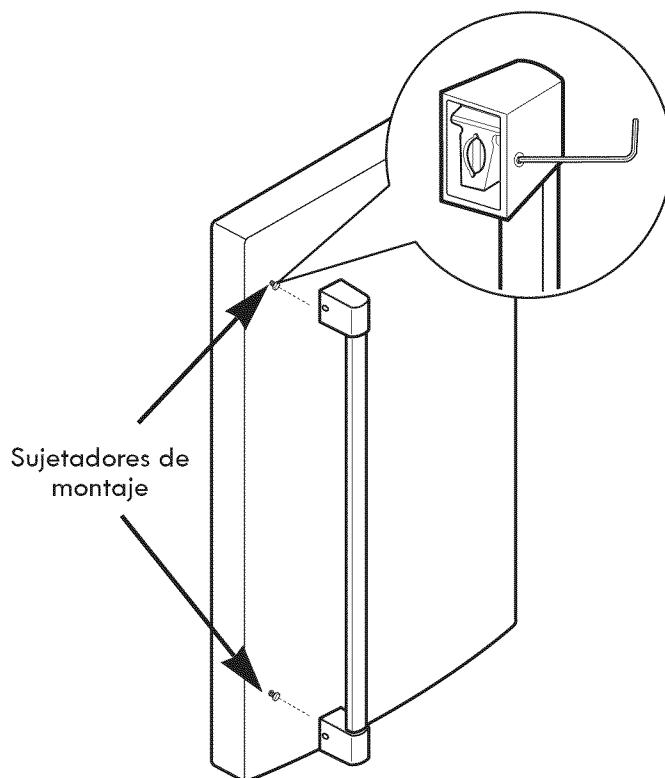
### CÓMO SUSTITUIR LA MANIJA DE LA PUERTA DEL REFRIGERADOR

**NOTA:** El aspecto de la manija puede ser distinto del que aparece en las ilustraciones de esta página.

#### Sustitución de la manija de la puerta del refrigerador

Coloque la manija en la puerta ajustando las zonas de contacto de la manija coincidan sobre los sujetadores de montaje y apretando los tornillos de presión con una llave Allen de 2,5 mm ( $3/32$  pulg.).

**NOTA:** Si es necesario apretar o retirar los sujetadores de montaje de la manija, use una llave Allen de 6,4 mm ( $1/4$  pulg.).



**NOTA:** Siempre se recomienda desmontar las puertas cuando sea necesario desplazar el refrigerador a través de un espacio estrecho. Si es necesario desmontar las manijas, siga las instrucciones que se indican a continuación.

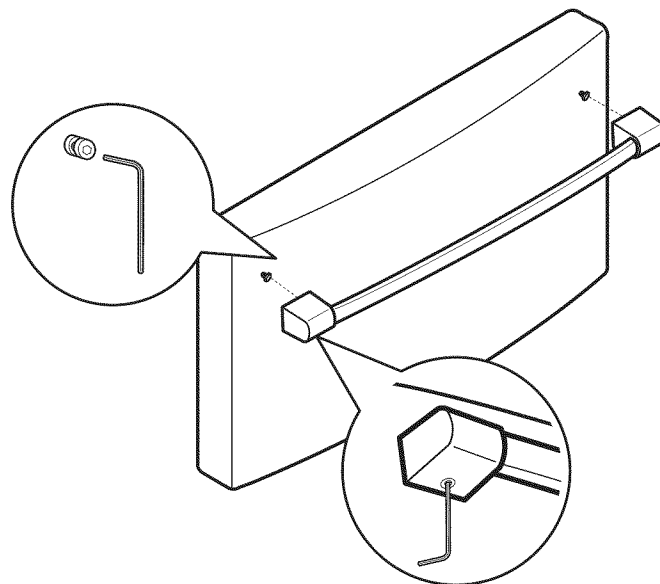
## CÓMO DESMONTAR LA MANIJA DE LA PUERTA DEL CONGELADOR

**NOTA:** El aspecto de la manija puede ser distinto del que aparece en las ilustraciones de esta página.

### Desmontaje de la manija del cajón del congelador

Afloje los tornillos de presión ubicados en la parte inferior de la manija con una llave Allen de 3,1 mm (1/8 pulg.) y retire la manija.

**NOTA:** Si es necesario apretar o retirar los sujetadores de montaje de la manija, use una llave Allen de 6,4 mm (1/4 pulg.).



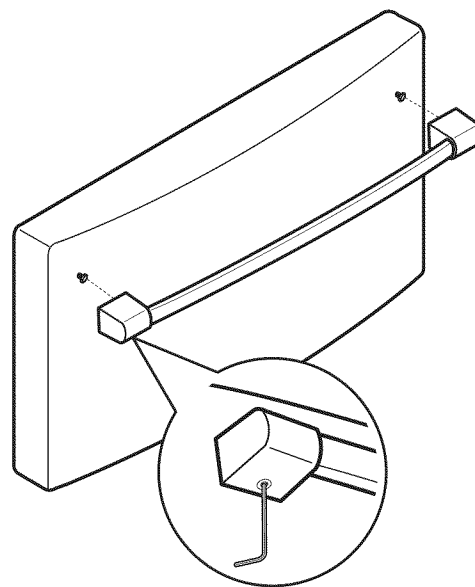
## CÓMO SUSTITUIR LA MANIJA DE LA PUERTA DEL CONGELADOR

**NOTA:** El aspecto de la manija puede ser distinto del que aparece en las ilustraciones de esta página.

### Sustitución de la manija del cajón del congelador

Coloque la manija en la puerta ajustando las zonas de contacto de la manija coincidan sobre los sujetadores de montaje y apretando los tornillos de presión con una llave Allen de 3,1 mm (1/8 pulg.).

**NOTA:** Si es necesario apretar o retirar los sujetadores de montaje de la manija, use una llave Allen de 6,4 mm (1/4 pulg.).



## ⚠ ADVERTENCIA

Para el montaje o desmontaje de los tiradores:

- Sujete el tirador con fuerza para evitar que se caiga o le cause lesiones.
- Evite que el tirador oscile cerca de personas o animales.
- Inserte el orificio de soporte del tirador en la tornillo de topoe de la puerta exactamente, y coloque los tornillos de sujeción para fijar el tirador en su posición.
- Compruebe que no haya ningún espacio entre la puerta y el tirador tras colocar éste en su posición.

## DESMONTAJE Y SUSTITUCIÓN DE LAS PUERTAS DEL REFRIGERADOR

### ! ADVERTENCIA

#### Riesgo de peso excesivo:

El desplazamiento e instalación de las puertas del refrigerador deben realizarse entre dos o más personas. Si no se respeta esta advertencia, se podrán producir lesiones en la espalda o de otro tipo.

### ! ADVERTENCIA

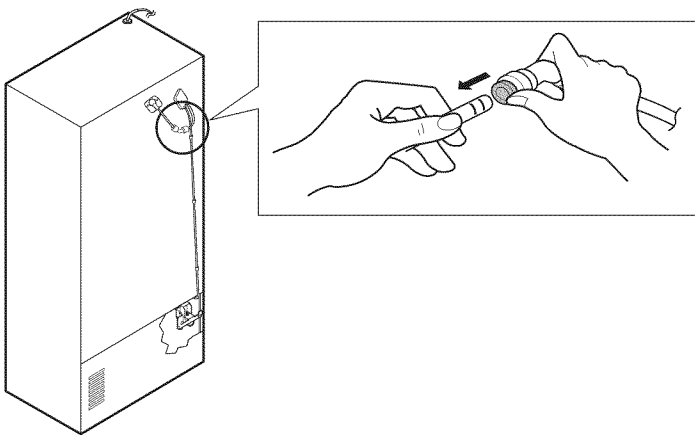
#### Riesgo de descargas eléctricas

- Desenchufe el suministro eléctrico al refrigerador antes de realizar la instalación. Si no se respeta esta advertencia, pueden producirse lesiones graves e incluso la muerte.
- No ponga las manos, pies ni ningún otro objeto en las rejillas de ventilación de aire, la rejilla de la base o debajo del refrigerador. Podría sufrir lesiones o recibir una descarga eléctrica.

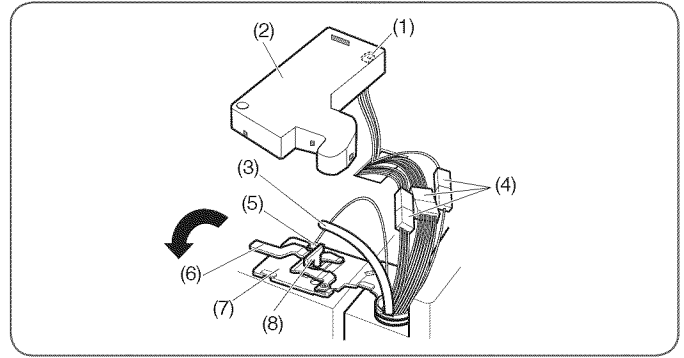
**NOTA:** Tenga cuidado cuando trabaje con la bisagra y la rejilla de la base. Podría sufrir alguna lesión.

#### Para desmontar la puerta izquierda del refrigerador:

En la parte posterior del refrigerador, saque el tubo de agua del adaptador de la virola situada en el conector presionando el anillo de liberación del adaptador (vea la imagen inferior).



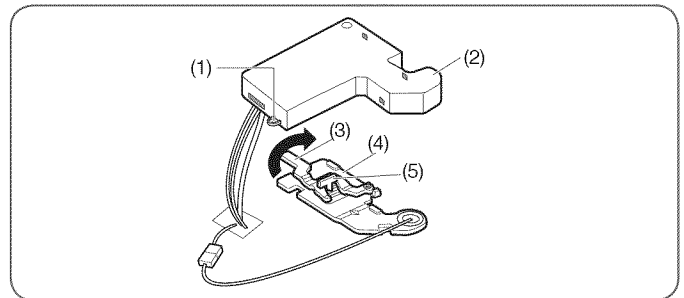
**! PRECAUCIÓN:** Antes de comenzar, saque los alimentos y quite las bandejas de las puertas.



1. Abra la puerta. Retire el tornillo de la tapa de la bisagra superior (1).
2. Use un destornillador plano para hacer palanca y levantar los ganchos (no se ven en la imagen) situados en la parte inferior delantera de la tapa (2). Levante la tapa.
3. Retire la tapa. Saque el tubo (3).
4. Desconecte todos los mazos de cables (4).
5. Retire el tornillo de conexión a tierra (5).
6. Gire la palanca de la bisagra (6) en sentido antihorario. Levante la bisagra superior (7) libre del pestillo de palanca de la bisagra (8).

- ! PRECAUCIÓN:** Cuando levante la bisagra libre del pestillo, tenga cuidado de que la puerta no se caiga hacia delante.
7. Levante la puerta del pasador de la bisagra central y retire la puerta.
  8. Coloque la puerta, con el interior hacia arriba, sobre una superficie que no raye.

#### Para desmontar la puerta derecha del refrigerador:



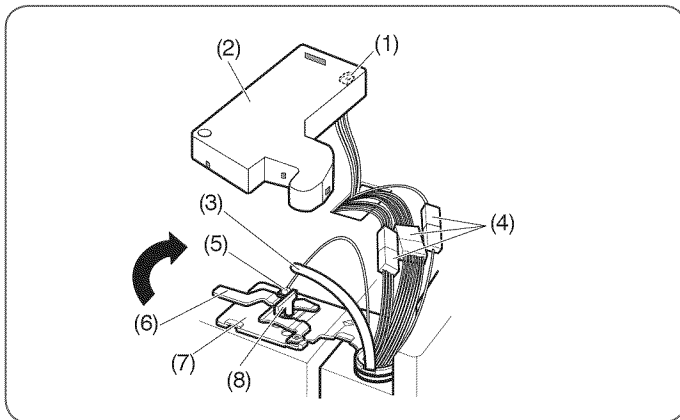
1. Abra la puerta. Retire el tornillo de la tapa de la bisagra superior (1). Levante la tapa (2).
2. Retire la tapa.
3. Gire la palanca de la bisagra (3) en sentido horario. Levante la bisagra superior (4) libre del pestillo de palanca de la bisagra (5).

- ! PRECAUCIÓN:** Cuando levante la bisagra libre del pestillo, tenga cuidado de que la puerta no se caiga hacia delante.
4. Levante la puerta del pasador de la bisagra central y retire la puerta.
  5. Coloque la puerta, con el interior hacia arriba, sobre una superficie que no raye.

Reinstalación de la puerta del refrigerador

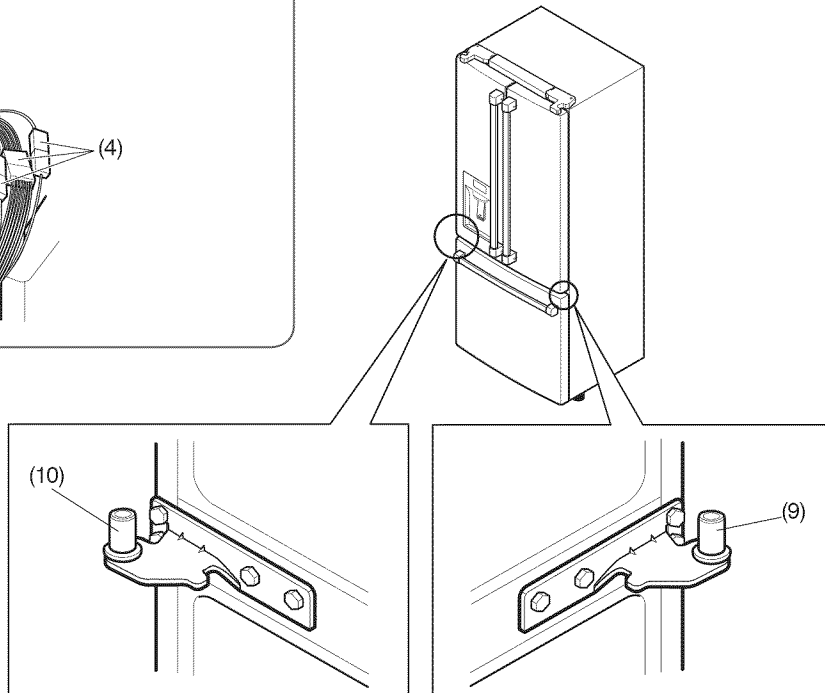
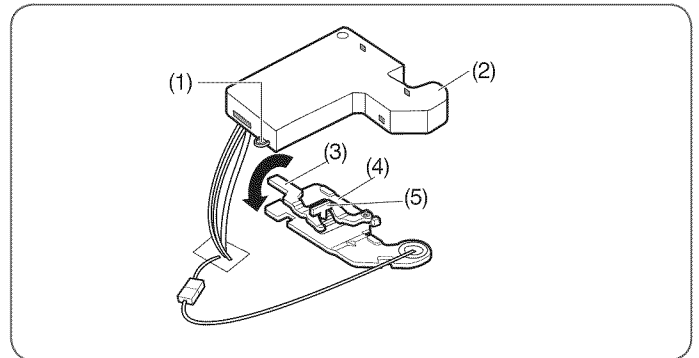
► Puerta izquierda

1. Baje la puerta hasta insertarla en el pasador de la bisagra central (10).
2. Encaje la bisagra superior (7) sobre el pestillo de palanca de la bisagra (8) y ajústela en su sitio. Gire la palanca (6) en sentido horario para bloquear la bisagra.
3. Instale el tornillo de conexión a tierra (5) y conecte los dos mazos de cables (4).
4. Empuje el tubo de agua (3) situado en la parte superior de la puerta izquierda dentro del agujero situado junto a la bisagra izquierda de la parte superior del aparato hasta que salga por la parte trasera.
5. Inserte el tubo de suministro de agua (3) dentro del conector hasta que sólo se vea un trazo de escala.
6. Enganche las pestañas situadas en el lado izquierdo de la tapa de la bisagra (1) situada debajo del borde de la bisagra superior (7) y coloque la tapa en su sitio. Inserte y apriete el tornillo de la tapa (1).

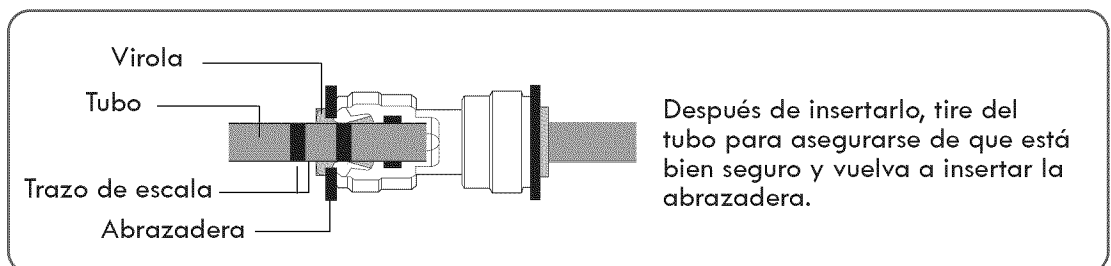


► Puerta derecha

1. Baje la puerta hasta insertarla en el pasador de la bisagra central (9).
2. Encaje la bisagra superior (4) sobre el pestillo de palanca de la bisagra (5) y ajústela en su sitio. Gire la palanca (3) en sentido antihorario para bloquear la bisagra.
3. Enganche las pestañas situadas en el lado derecho de la tapa de la bisagra (2) situada debajo del borde de la bisagra superior (4) y coloque la tapa en su sitio. Inserte y apriete el tornillo de la tapa (1).



⚠ PRECAUCIÓN



## CÓMO DESMONTAR EL CAJÓN DEL CONGELADOR

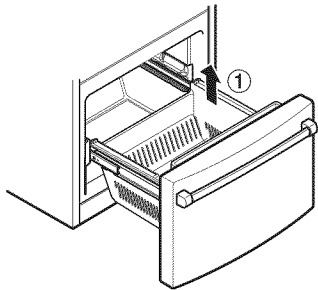
**⚠ ADVERTENCIA:** El desplazamiento e instalación del cajón del congelador deben realizarse entre dos o más personas. Si no se respeta esta advertencia, se podrán producir lesiones en la espalda o de otro tipo.

**⚠ PRECAUCIÓN:** No agarre la manija mientras desmonta o vuelve a colocar el cajón. La manija podría salirse y provocar lesiones personales.

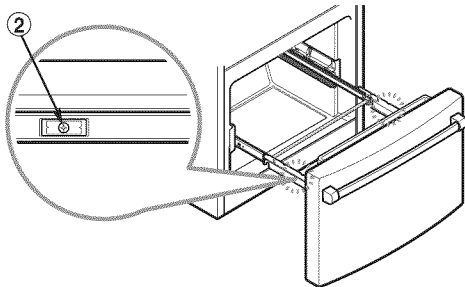
**NOTA:** En las figuras siguientes, no se muestra el cajón extraíble situado por encima del cajón del congelador para que la imagen sea más clara.

Saque el cajón todo lo posible. Retire la cesta inferior

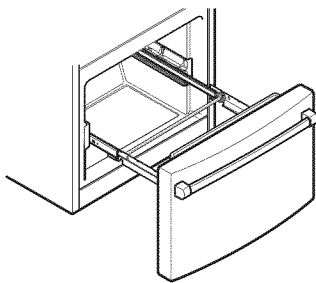
① levantándola del sistema de rieles.



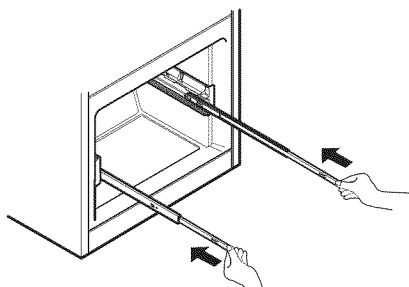
Retire los tornillos ② del riel en ambos lados.



Sujete el cajón por cada lado y tire de él hacia arriba para separarlo de los rieles.

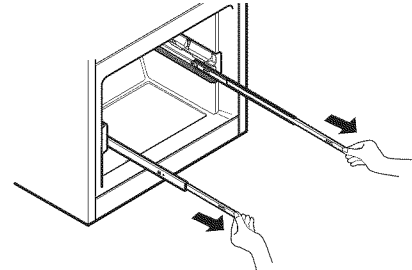


Con las dos manos, sujete la barra central y empújela hacia dentro de forma que ambos rieles se deslicen de forma simultánea.

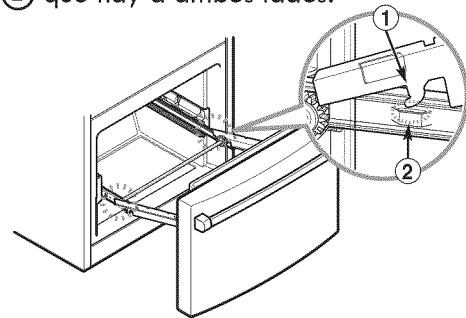


## CÓMO INSTALAR EL CAJÓN DEL CONGELADOR

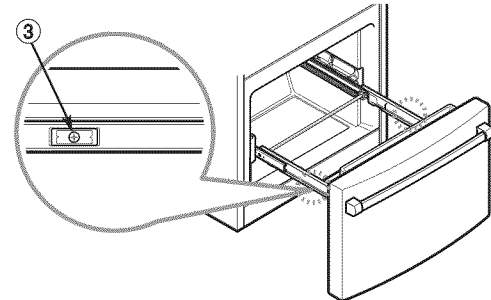
Con las dos manos, sujete la barra central y tire de ella hacia fuera hasta que ambos rieles queden completamente extendidos.



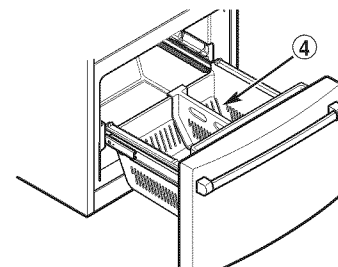
Sujete el cajón por cada lado y enganche los soportes de la puerta ① para introducirlos en las pestañas de los rieles ② que hay a ambos lados.



Baje la puerta hasta su posición final y apriete los tornillos ③ ubicados a ambos lados.



Con el cajón completamente sacado, inserte la cesta inferior ④ en la estructura de rieles.



**⚠ ADVERTENCIA:** Si se retira el divisor Durabase, habrá suficiente espacio abierto para que un niño o una mascota puedan gatear hasta el interior. Para evitar el atrapamiento accidental de un niño o una mascota, y el posible riesgo de asfixia, NO permita que niños y mascotas toquen ni se acerquen al cajón del congelador.

**⚠ ADVERTENCIA:** NO pise ni se siente en el cajón del congelador.

## NIVELACIÓN Y ALINEACIÓN DE LAS PUERTAS

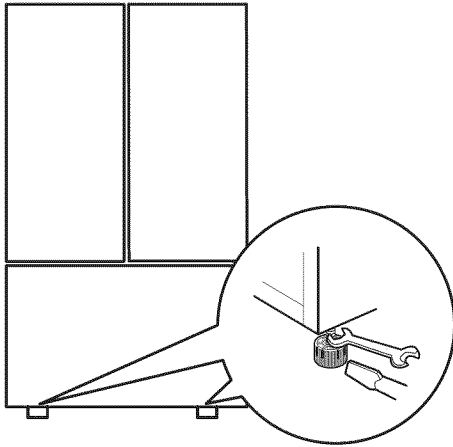
### Nivelación

Tras la instalación, enchufe el cable de alimentación del refrigerador en una toma de corriente de 3 clavijas con conexión a tierra y empuje el refrigerador hasta su posición definitiva.

Su refrigerador tiene dos pies de nivelación delanteros: uno a la derecha y otro a la izquierda. Ajuste los pies para modificar la inclinación de delante hacia atrás o de lado a lado. Si el refrigerador parece inestable o si desea que las puertas se cierren más fácilmente, ajuste la inclinación del refrigerador mediante las siguientes instrucciones:

**NOTA:** Herramientas necesarias: Llave de 18 mm ( $11/16''$ ) o un destornillador plano.

1. Gire los pies de nivelación en sentido antihorario para levantar esa parte del refrigerador o en sentido horario para bajarla. Puede que sean necesarios varios giros del pie de nivelación para ajustar la inclinación del refrigerador.



**NOTA:** Si una persona empuja hacia atrás la parte superior del refrigerador, descargará parte del peso de los pies de nivelación. Esta operación facilitará el ajuste de los pies.

3. Vuelva a abrir ambas puertas y compruebe que se cierran con facilidad. Si no es así, incline el refrigerador ligeramente hacia atrás girando ambos pies de nivelación en sentido antihorario. Puede que sean necesarios varios giros y debería girar ambos pies de nivelación el mismo número de giros.

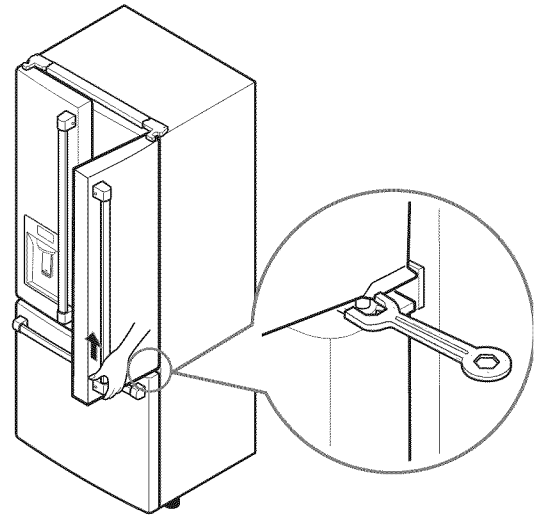
**NOTA:** Su refrigerador tiene un diseño exclusivo con dos puertas para alimentos frescos. Cada una de las puertas se puede abrir o cerrar de forma independiente de la otra. Puede que deba ejercer una ligera presión en las puertas para cerrarlas completamente.

### Alineación de las puertas

Ambas puertas del refrigerador tienen una tuerca ajustable, ubicada en la bisagra inferior, para levantarlas y bajarlas con el fin de alinearlas correctamente.

Si el espacio entre las puertas es desigual, siga estas instrucciones para alinear las puertas de forma uniforme:

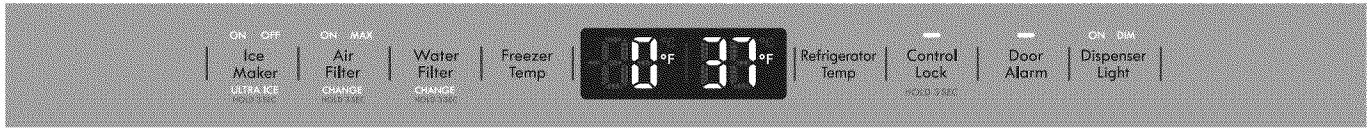
Use la llave (incluida con el Manual de Uso y Cuidado) para girar la tuerca que hay en la bisagra de la puerta para ajustar la altura. En sentido horario para levantar o en sentido antihorario para rebajar la altura.



# USO DEL REFRIGERADOR

## AJUSTE DE LOS CONTROLES

### Temperatura

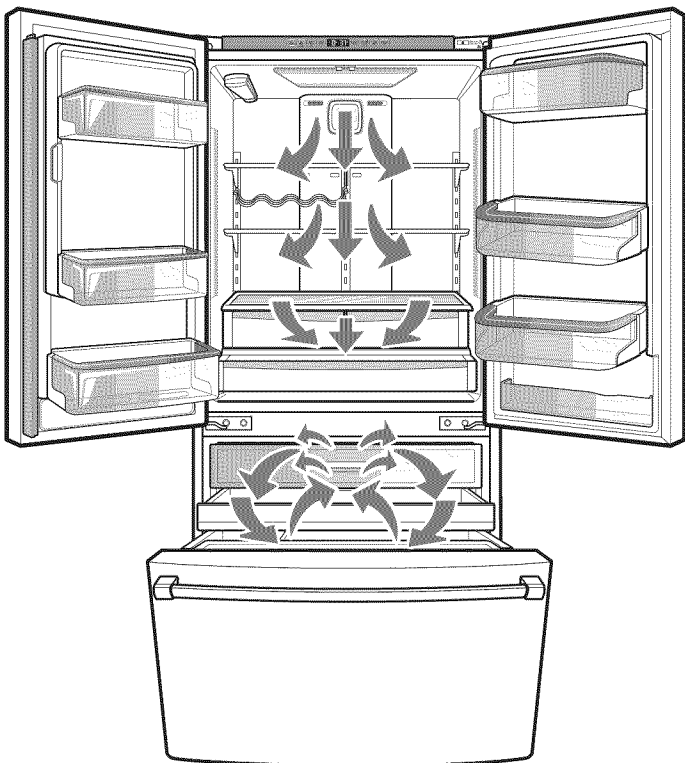


- El rango del control de temperatura del refrigerador de  $1^{\circ}\text{C}$  a  $8^{\circ}\text{C}$  ( $33^{\circ}\text{F}$  a  $46^{\circ}\text{F}$ ). Pulse el botón de temperatura del refrigerador para alternar entre los ajustes de temperatura disponibles con incrementos de un grado en cada pulsación.
- El rango del control de temperatura del congelador es de  $-21^{\circ}\text{C}$  a  $-13^{\circ}\text{C}$  ( $-6^{\circ}\text{F}$  a  $8^{\circ}\text{F}$ ). Pulse el botón de Freezer Temp para alternar entre los ajustes de temperatura disponibles con incrementos de un grado en cada pulsación.

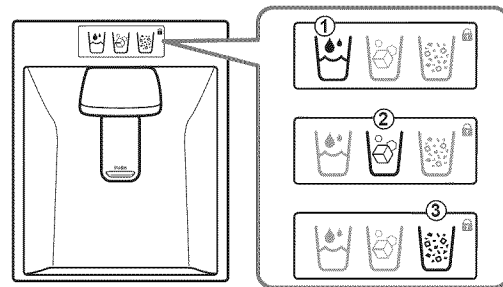
**NOTA:** Cada vez que cambie los ajustes de los controles, debe esperar 24 horas antes de realizar ajustes adicionales. Los controles están correctamente ajustados cuando la leche o el zumo están a la temperatura fría de su gusto y el helado está firme. Si la temperatura es demasiado fría o demasiado caliente en alguno de los compartimientos, cambie el ajuste en incrementos de un grado cada vez. Espere 24 horas a que se establezca la temperatura antes de volver a ajustarla.

### Flujo de aire

Asegúrese de no bloquear los conductos de ventilación al cargar su refrigerador. De lo contrario, restringirá el flujo de aire y puede que la temperatura del refrigerador suba demasiado o que se acumule humedad en su interior. (Consulte el siguiente diagrama de flujo de aire).



### Dispensador



El dispensador servirá agua, cubitos de hielo o hielo picado. Presione el ícono de su elección: (1) agua (2) cubitos de hielo (3) hielo picado. Cuando lo pulse, se iluminará el ícono.

**NOTA:** La pantalla de control es táctil. Un exceso de humedad en la pantalla puede provocar una avería. Recuerde mantener la pantalla limpia y seca.

**NOTA:** Si se ilumina el icono de bloqueo, no se puede controlar el tipo de dispensador. Compruebe el modo ON/OFF de bloqueo de control en el panel de control.

**⚠ ADVERTENCIA:** El dispensador no funcionará si hay alguna puerta abierta o si está activado el bloqueo de control.

**Filtro de aire**



El filtro de aire ayuda a eliminar olores del refrigerador. El filtro de aire tiene dos configuraciones: Auto y MAX. En el modo Auto, el filtro de aire se encenderá y apagará en un ciclo de diez minutos para el encendido y ciento diez minutos para el apagado. Si se configura en el modo MAX, el filtro de aire permanecerá encendido de forma continua durante cuatro horas, apagándose y encendiéndose en un ciclo de diez minutos para el encendido y cinco minutos para el apagado. Después de cuatro horas, el filtro de aire pasará al modo Auto.

- El modo Auto es el modo predeterminado.
- Presione el botón del filtro de aire una vez para entrar en modo MAX

**Restablecimiento del filtro de aire**



Cuando se enciende el ícono CHANGE, esto significa que el filtro de aire debe ser reemplazado. Luego de reemplazar el filtro de aire, mantenga pulsado el botón Air Filter durante tres segundos para apagar la luz del ícono. Se recomienda cambiar el filtro de aire aproximadamente cada 6 meses.

**Máquina de hielo ENCENDIDA/APAGADA**



- Para encender o apagar el sistema de fabricación de hielo, pulse el botón Ice Maker.

**Ultra hielo**



- Cuando se mantiene pulsado el botón del sistema de producción de hielo durante tres segundos, se iluminará el gráfico en la pantalla y continuará encendido durante 24 horas. Esta función se apagará automáticamente pasadas las 24 horas.

**NOTA:** Cuando seleccione la función Ultra hielo, el icono de la Máquina de hielo se cambiará brevemente a APAGADO y luego volverá a ENCENDIDO. Esto es normal.

- Puede detener esta función manteniendo pulsado el botón una vez más.
- Esta función aumenta tanto las capacidades de congelación como las de fabricación de hielo.

**Restablecimiento del filtro de agua**



Cuando se enciende el ícono CHANGE, indica que es necesario cambiar el filtro de agua. Una vez cambiado el filtro de agua, mantenga pulsado el botón Water Filter durante tres segundos para apagar la luz del indicador. El filtro de agua se debe cambiar aproximadamente cada seis meses.

**Luz del dispensador**



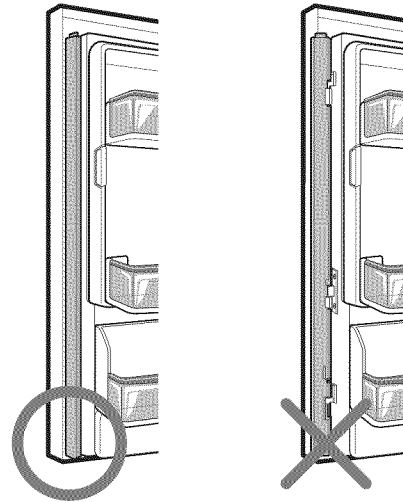
Esta luz tiene tres posiciones: Encendido, Apagado y Tenue. Seleccione la opción Tenue durante la noche. La luz se encenderá automáticamente con toda su luminosidad cuando se presione el panel del dispensador.

**Parteluz articulado**

Esta característica es una tira de metal situada en la puerta izquierda que se articula (gira) 90 grados al cerrarse la puerta y forma un parteluz (base) para que se sellen las juntas de las puertas izquierda y derecha.

**PRECAUCIÓN**

Para reducir el riesgo de rayar la puerta o romper el parteluz, asegúrese de que el parteluz de la puerta del refrigerador esté siempre plegado.



### Alarma de la puerta

Door Alarm

- Cuando se conecta el refrigerador a la corriente, la alarma de la puerta está inicialmente activada. Si pulsa el botón Door Alarm, la pantalla cambiará a OFF y la función de alarma de la puerta se desactivará.
- Si la puerta del refrigerador o del congelador se deja abierta durante más de 60 segundos, sonará el tono de la alarma para avisarle de que la puerta está abierta.
- Cuando se cierre la puerta, la alarma de la puerta dejará de sonar.

### Bloqueo de los controles

Control Lock  
HOLD 3 SEC

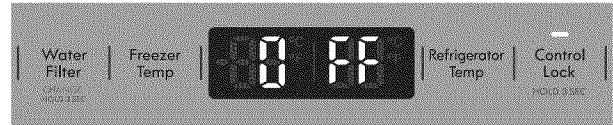
- Cuando se conecta inicialmente el refrigerador a la corriente, la función de bloqueo Lock está desactivada.
- Si desea activar la función Lock para bloquear los demás botones, mantenga pulsado el botón Control Lock durante tres segundos como mínimo. Aparecerá el icono Control Lock y se activará la función Lock.
- Cuando se activa la función Lock, no funciona ningún otro botón. Los botones del dispensador también se desactivan.
- Para desactivar la función Lock, mantenga presionado el botón Control Lock durante aproximadamente tres segundos.

### Función para cambiar el modo de temperatura (°F <->°C)

Si desea convertir °F a °C o viceversa, mantenga presionados los botones Freezer Temp y Refrigerator Temp al mismo tiempo durante aproximadamente cinco segundos.

### Modo demostración (sólo para uso en tienda)

El modo demostración desactiva toda la refrigeración en las secciones refrigerador y congelador para ahorrar energía mientras está en exposición en una tienda. Cuando se activa, en el panel de control aparece la palabra OFF.



### Para desactivar:

Con la puerta del refrigerador abierta, mantenga presionados los botones Refrigerator Temp y Ice Maker al mismo tiempo durante cinco segundos. El panel de control pitará y aparecerán los ajustes de temperatura para confirmar que se ha desactivado el modo de demostración. Use el mismo same procedimiento para activar el modo de demostración.

**DEPÓSITO DE HIELO DEL INTERIOR DE LA PUERTA**

**▲ PRECAUCIÓN**

Mantenga manos y herramientas fuera del compartimiento de hielo de la puerta y del conducto del dispensador. Si no se respeta esta advertencia, podrían producirse daños o lesiones personales.

La máquina de hielo dejará de fabricar hielo cuando el depósito de hielo del interior de la puerta esté lleno. Si necesita más hielo, vacíe el depósito de hielo en el depósito de hielo adicional ubicado en el compartimiento del congelador. Durante el uso, el hielo puede caer de forma irregular lo que puede provocar una lectura errónea del nivel de cubitos de hielo y detener la elaboración de cubitos. Agitar el depósito de hielo para nivelar los cubitos que contiene puede reducir este problema.

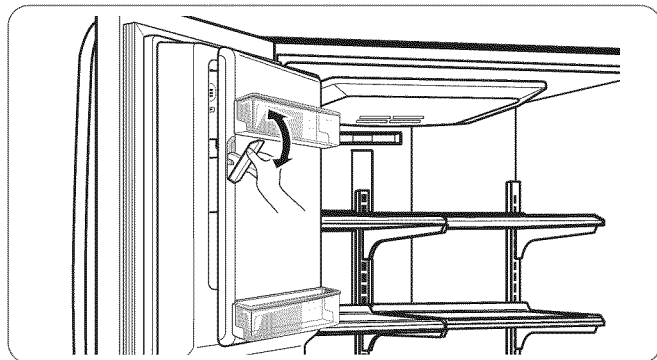
**NOTA:** Almacenar latas u otros elementos en el depósito de hielo podría dañar la máquina de hielo.

Mantenga la puerta del compartimiento de hielo herméticamente cerrada. Si no se cierra herméticamente, el aire frío del depósito de hielo congelará los alimentos del compartimiento del refrigerador. Esto también podría provocar que la máquina deje de fabricar hielo.

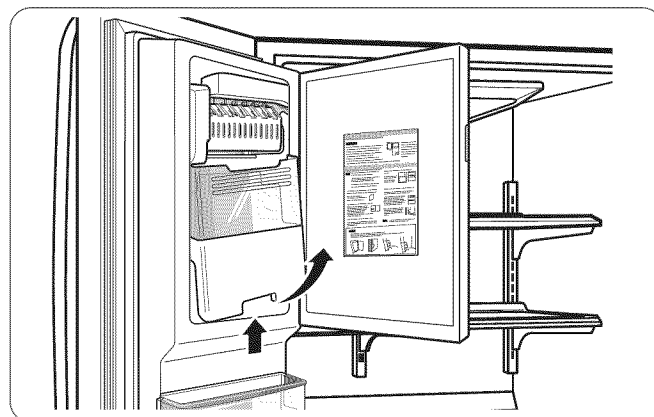
**NOTA:** Se recomienda vaciar el recipiente para el hielo si el botón ON/OFF de la máquina de hielo del panel de control ha permanecido en la posición OFF durante un periodo prolongado de tiempo.



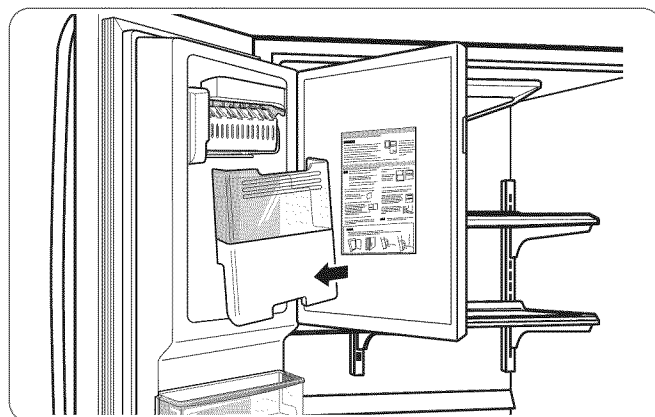
1. Tire o empuje de la manija de la puerta para abrir o cerrar el compartimiento de hielo.



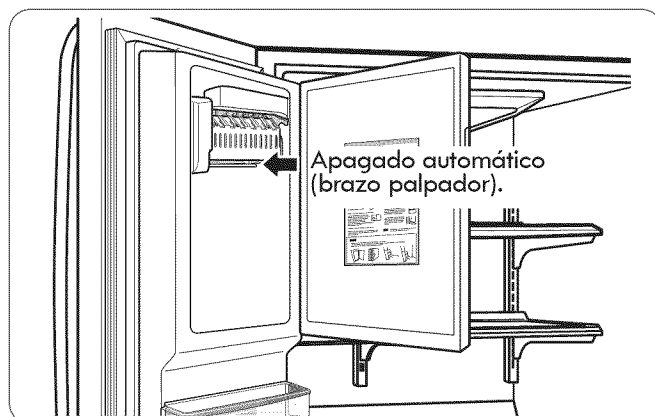
2. Para sacar el depósito de hielo del interior de la puerta, agarre la manija delantera, levante ligeramente la parte inferior y despegue el depósito tal como se muestra.



3. Para volver a instalar el depósito de hielo del interior de la puerta, incline ligeramente el depósito al volver a colocarlo en su sitio para evitar el contacto con la máquina de hielo.



4. Evite tocar el apagado automático (brazo palpador) al colocar el recipiente del hielo. Consulte la etiqueta que hay en la puerta del compartimiento de hielo para obtener información más detallada.



### MÁQUINA DE HIELO AUTOMÁTICA

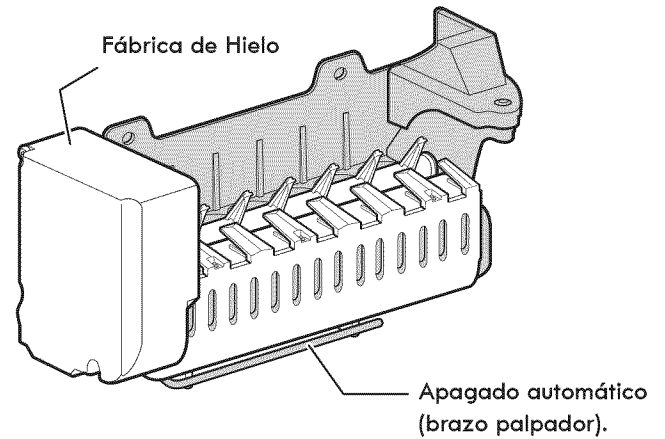
El hielo se fabrica en la máquina de hielo automática y se envía al dispensador. El dispensador de hielo producirá 70-182 cubitos en un periodo de tiempo de 24 horas, en función de la temperatura del congelador, de la temperatura ambiente, del número de puerta abiertas y otras condiciones de funcionamiento.

- Un refrigerador recién instalado tardará entre 12 y 24 horas en empezar a fabricar hielo. Espere 72 horas para que comience la fabricación de hielo.
- La fabricación de hielo se detiene cuando se llena el depósito de hielo. En ese caso, el depósito de hielo contiene aproximadamente de 6 a 8 (12-16 oz o 340-455 cc) vasos de hielo.
- Las sustancias extrañas o la escarcha en apagado automático (brazo palpador) pueden interrumpir la producción. Para un correcto funcionamiento, asegúrese de que el brazo palpador esté limpio en todo momento.
- Para aumentar la producción de hielo, utilice la función Ultra Ice. Esta función aumenta las capacidades para fabricar hielo y para congelar.

## ⚠ ADVERTENCIA

### Riesgo de lesiones personales

NO introduzca los dedos o las manos en el mecanismo de fabricación automática de hielo con el refrigerador enchufado.



## MÁQUINA DE HIELO AUTOMÁTICA (continuación)

### ⚠ PRECAUCIÓN

- La primera tanda de hielo y agua dispensada podría incluir partículas y olor procedente de la tubería de suministro de agua o del depósito de agua.
- Deseche las primeras tandas de hielo. Esto también es necesario si el refrigerador no se usa durante un largo período de tiempo.
- Nunca almacene latas de bebidas u otros artículos en el depósito de hielo con el propósito de que se enfríen rápidamente. Si lo hace, podría dañar la máquina de hielo o los contenedores podrían estallar.
- Si se dispensa hielo manchado, compruebe el filtro y el suministro de agua. Si el problema persiste, póngase en contacto con Sears u otro servicio técnico cualificado. No consuma el hielo ni el agua hasta que se resuelva el problema.
- No permita que los niños utilicen el dispensador. Los niños podrían jugar con los controles y romperlos.
- Si sólo se usa hielo picado, el conducto del hielo podría quedar bloqueado con escarcha. Para retirar la escarcha acumulada, desmonte el depósito de hielo y libere el conducto con una espátula de goma. La dispensación de hielo en cubitos también ayuda a evitar la formación de escarcha.
- Nunca use vasos de cristal fino o recipientes de loza para recoger hielo. Ese tipo de contenedores podrían descascarillarse o romperse, y podrían caer fragmentos de cristal al hielo.
- Dispense hielo en el vaso antes de rellenarlo con agua u otras bebidas. Si se dispensa hielo en un vaso que ya contiene líquido, pueden producirse salpicaduras.
- Nunca use un vaso que sea excesivamente estrecho o profundo. El hielo podría atascarse en el conducto de hielo y el rendimiento del refrigerador podría verse afectado.
- Mantenga el vaso a una distancia adecuada de la salida del hielo. Si sostiene el vaso demasiado cerca de la salida, puede impedir que se dispense el hielo.
- Para evitar lesiones personales, mantenga las manos lejos de la puerta y del conducto del hielo.
- Nunca retire la tapa del dispensador.
- Si de forma inesperada se dispensa hielo o agua, corte el suministro de agua y póngase en contacto con el servicio técnico doméstico de Sears llame en EE.UU. 1-844-553-6667. y llame en Canadá 1-800-469-4663.

## CUÁNDO APAGAR LA MÁQUINA DE HIELO

- Cuando el suministro de agua vaya a estar interrumpido durante varias horas.
- Cuando se retire el depósito de hielo durante más de uno o dos minutos.
- Cuando no se vaya a usar el refrigerador durante varios días.

**NOTA:** El recipiente para el hielo deberá vaciarse siempre que se ponga en OFF el botón ON/OFF (encendido/apagado) de la máquina de hielo.

## SONIDOS NORMALES QUE SE PUEDEN ESCUCHAR

- Si el botón ENCENDIDO/APAGADO de la máquina de hielo se pone en ENCENDIDO, la válvula emitirá un zumbido incluso si la máquina de hielo no está conectada al agua. Para detener el zumbido, ponga el interruptor en APAGADO.
- **NOTA:** Si mantiene el botón ENCENDIDO/APAGADO de la máquina de hielo en ENCENDIDO antes de conectar el agua, la máquina podría dañarse.
- Oirá el sonido de los cubitos de hielo al caer en el depósito y el agua corriendo por las tuberías cuando se rellena la máquina de hielo.

## PREPARACIÓN PARA LAS VACACIONES

Ponga el botón ON/OFF de la máquina de hielo en OFF y cierre el suministro de agua al refrigerador.

**NOTA:** El recipiente para el hielo deberá vaciarse siempre que se ponga en OFF el botón ON/OFF

Si la temperatura ambiente cae por debajo del punto de congelación, póngase en contacto con un técnico cualificado para que purgue el sistema de suministro de agua para evitar graves daños materiales debidos a las inundaciones provocadas por la rotura de las tuberías o conexiones de agua.

### GUÍA PARA EL ALMACENAMIENTO DE ALIMENTOS

Envuelva o almacene los alimentos en el refrigerador dentro de materiales herméticos y antihumedad, a menos que se indique lo contrario. Esto evitará que el olor y sabor de los alimentos se transfiera por todo el refrigerador. Para productos con fecha de caducidad, compruebe el código de fecha para garantizar la frescura.

Elementos	Cómo
<b>Mantequilla o margarina</b>	► Conserve la mantequilla abierta en un plato cubierto o en un compartimiento cerrado. Cuando se almacena una cantidad extra, envuélvala en una bolsa para congelar y congélela.
<b>Queso</b>	► Almacene en el envoltorio original hasta que esté listo para consumirlo. Una vez abierto, vuelva a envolverlo herméticamente en un envoltorio plástico o en papel de aluminio.
<b>Leche</b>	► Limpie los cartones de leche. Para un mejor almacenamiento, coloque la leche en los estantes interiores y no en los estantes de la puerta.
<b>Huevos</b>	► Almacénelos en el cartón original en un estante interior, no en un estante de la puerta.
<b>Fruta</b>	► No lave ni pele la fruta hasta que ésta vaya a ser utilizada. Organice la fruta y consérvela en su contenedor original, en un cajón, o bien almacénela en una bolsa de papel completamente cerrada sobre un estante del refrigerador.
<b>Verdura con hoja</b>	► Retire el envoltorio comercial y corte o arranque las zonas magulladas o decoloradas. Lave en agua fría y deje escurrir. Colóquela en una bolsa o un contenedor de plástico, y almacénela en el cajón para verduras.
<b>Vegetales con piel (zanahorias, pimientos)</b>	► Colóquelos en una bolsa o un contenedor de plástico, y almacénelos en el cajón para verduras.
<b>Pescado</b>	► Almacene el pescado y los mariscos frescos en el congelador si no van a ser consumidos el mismo día en que se los adquirió. Se recomienda consumir pescados y mariscos frescos el mismo día de haberlos adquirido.
<b>Sobras</b>	► Cubra las sobras con un envoltorio plástico, papel de aluminio o dentro de contenedores de plástico con tapas herméticas.

### ALMACENAMIENTO DE ALIMENTOS CONGELADOS

**NOTA:** Consulte una guía de congelación o un libro de cocina fiable para obtener más información sobre la forma de preparar los alimentos para su congelación o sobre los tiempos de almacenamiento de los alimentos congelados.

#### Congelación

El congelador no congelará rápidamente una gran cantidad de alimentos. No coloque más alimentos sin congelar en el congelador que los que se congelarán en 24 horas (no más de 1 o 1,5 kg de alimento por cada 30 litros de espacio en el congelador). Deje suficiente espacio en el congelador para que el aire pueda circular entre los paquetes. Tenga cuidado de dejar suficiente espacio en la parte delantera para que se pueda cerrar la puerta herméticamente.

Los tiempos de almacenamiento variarán en función de la calidad y el tipo de alimento, el tipo de envase o envoltorio utilizado (si son herméticos y antihumedad) y la temperatura de almacenamiento. La aparición de cristales de hielo dentro de un paquete sellado es normal. Esto sólo significa que la humedad del alimento y del aire del interior del paquete se ha condensado, creando cristales de hielo.

**NOTA:** Deje que los alimentos calientes se enfríen a temperatura ambiente durante 30 minutos y, a continuación, empáquelos y congélelos. Enfriar alimentos calientes antes de congelarlos ahorra energía.

#### Empaquetamiento

Una congelación correcta depende de un empaquetamiento adecuado. Cuando se cierra y sella el paquete, no debe dejar que entre ni salga aire ni humedad. Si eso sucede, es posible que el olor y el sabor de los alimentos se transfieran por todo el refrigerador y también se podrían reseca los alimentos congelados.

#### Recomendaciones de empaquetamiento:

- Contenedores de plástico rígido con tapas herméticas
- Tarros de congelación / enlatado con lados rectos
- Papel de aluminio grueso
- Papel con revestimiento plástico
- Envoltorios plásticos no permeables
- Bolsas de plástico con autosellado y calidad específica apta para congelador

Siga las instrucciones del contenedor o paquete para unos métodos de congelación adecuados.

#### No usar

- Envoltorios de pan
- Contenedores de plástico que no sean de polietileno
- Contenedores sin tapas herméticas
- Papel de cera o envoltorio para congelador revestidos de cera
- Envoltorio fino y semipermeable

**⚠ PRECAUCIÓN:** No almacene latas de bebidas o contenedores de comida de plástico en el compartimiento del congelador. Podrían romperse o estallar al congelarse.

### GUÍA DE ALMACENAMIENTO DEL VINO

Para su comodidad y para ahorrar espacio, utilice el estante para vinos para guardar hasta 4 botellas de vino de tamaño estándar.

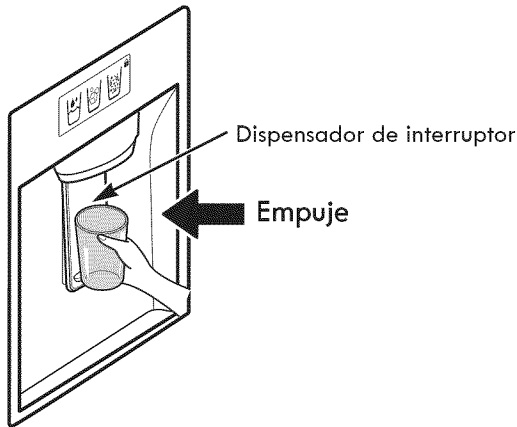
**⚠ PRECAUCIÓN:** El estante para vinos se ha diseñado para botellas de tamaño estándar. El uso de botellas más grandes o de forma irregular puede evitar que se cierre la puerta del refrigerador correctamente.

## SECCIÓN REFRIGERADOR

### DISPENSADOR DE AGUA

Para dispensar agua fría, empuje el interruptor del dispensador con un vaso.

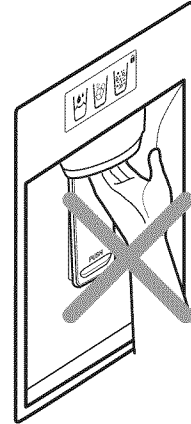
**NOTA:** El dispensador está equipado con una luz que se enciende cuando se activan los botones del dispensador.



Es posible que tras la dispensación se produzca un goteo. Mantenga el vaso bajo el dispensador durante unos segundos tras la dispensación para recoger todas las gotas.

**⚠ ADVERTENCIA:** No coloque los dedos encima de la abertura del conducto de hielo, podría sufrir lesiones de gravedad.

**⚠ PRECAUCIÓN:** No dispense hielo en vasos de cristal o porcelana fina, ya que podrían romperse.



## ESTANTES DEL REFRIGERADOR

Los estantes del refrigerador son ajustables para satisfacer sus necesidades personales de almacenamiento. En función del modelo, los estantes pueden ser de vidrio o de rejilla metálica.

Organizar los estantes para que se ajusten a las diferentes alturas de los artículos hará que le resulte más fácil encontrar lo que busca. Con ello también reducirá el tiempo que permanece la puerta del refrigerador abierta y ahorrará energía.

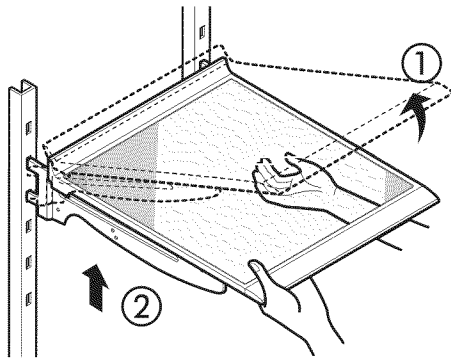
**IMPORTANTE:** No limpie los estantes de vidrio con agua templada mientras aún están fríos. Los estantes podrían romperse si se ven expuestos a cambios repentinos de temperatura o a impactos.

**NOTA:** Los estantes de vidrio son pesados. Tenga especial cuidado en el momento de retirarlos.

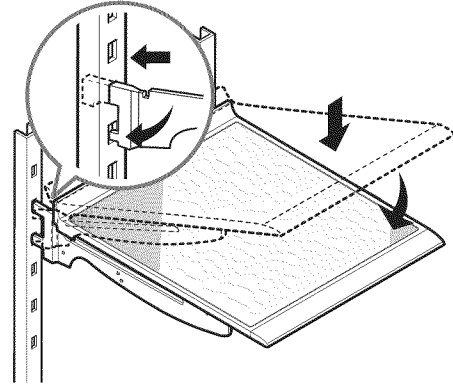
### Organización de los estantes (Cantilever)

Retire los estantes de la posición de transporte y vuelva a colocar los estantes en la posición que desee.

**Para retirar un estante:** incline la parte delantera del estante en dirección de ① y levántelo en la dirección de ②. Saque el estante.



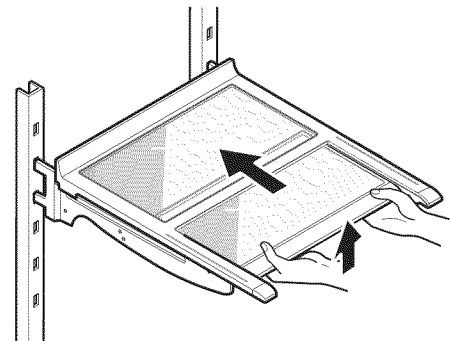
**Para volver a instalar un estante:** incline la parte delantera del estante hacia arriba y guíe los ganchos del estante al interior de las ranuras a la altura deseada. A continuación, baje la parte delantera del estante de manera que los ganchos caigan en las ranuras.



**⚠ PRECAUCIÓN:** Asegúrese de que los estantes tienen ambos lados nivelados. De lo contrario, podría caerse el estante o derramarse los alimentos.

### Estante plegable

Para almacenar artículos más altos, como botellas o garrapas, empuje la mitad delantera del estante para que se deslice debajo de la mitad posterior del estante. Tire de la parte delantera del estante hacia usted para volver a tener un estante completo.

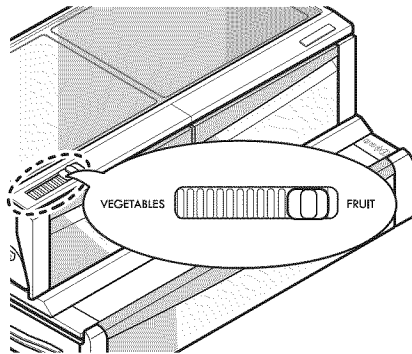


### CAJÓN CON CONTROL DE HUMEDAD

Los cajones para verduras mantienen el sabor y la frescura de la fruta y la verdura al permitir controlar fácilmente la humedad dentro del cajón.

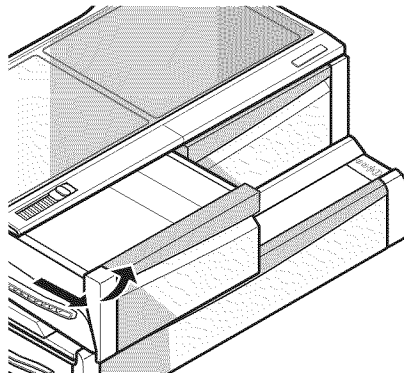
Para controlar la cantidad de humedad en los cajones para verduras con sellado antihumedad, ajuste el control en cualquier posición entre **VEGETABLES** y **FRUIT**.

- **VEGETABLES** mantiene un aire húmedo en el cajón para un mejor almacenamiento de las verduras frescas y de hoja.
- **FRUIT** mantiene el aire húmedo fuera del cajón para un mejor almacenamiento de la fruta.



### DESMONTAJE DEL CAJÓN CON CONTROL DE HUMEDAD

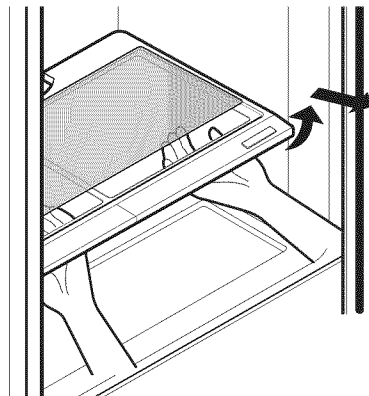
1. Para desmontarlo, saque el cajón todo lo posible.
2. Levante la parte delantera del cajón para verduras y tire de él hacia fuera.
3. Para instalarlo, incline la parte delantera ligeramente hacia arriba, inserte el cajón en el marco y empuje hasta que encaje en su sitio.



#### Para quitar el vidrio

1. Levante el vidrio situado bajo la tapa del cajón para verduras.
2. Tire del vidrio hacia arriba y hacia fuera.

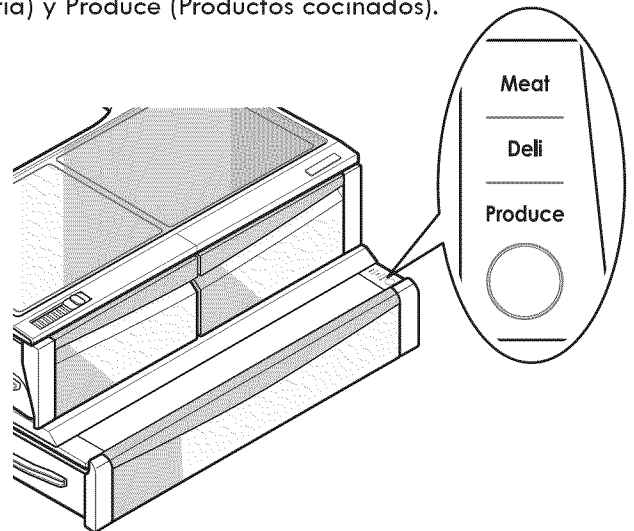
**NOTA:** Para mayor claridad, no se muestra el cajón.



### CAJÓN DESPENSERO CON CONTROL DE TEMPERATURA

El **Cajón despensero con control de temperatura** proporciona espacio de almacenamiento con un control de temperatura variable que permite mantener el compartimiento más frío que la sección del refrigerador. Este cajón se puede usar para grandes bandejas de fiesta, artículos de charcutería y bebidas. (Este cajón no se debe usar para verduras que requieran un alto nivel de humedad).

Pulse el botón para elegir entre Meat (carne), Deli (charcutería) y Produce (Productos cocinados).



**⚠ PRECAUCIÓN:** No guarde botellas de vidrio en la despensa. Si se congelan, pueden romperse y causarle lesiones.

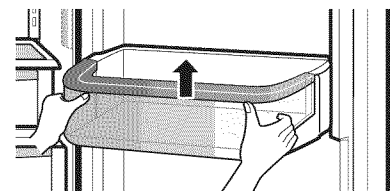
### BANDEJAS DE LA PUERTA

Las bandejas de la puerta son extraíbles para facilitar su limpieza y ajuste.

1. Para desmontar la bandeja, simplemente levántela hacia arriba y tire de ella hacia fuera.
2. Para volver a colocar la bandeja, deslícela por encima del soporte deseado y empuje hacia abajo hasta que encaje en su sitio.

**NOTA:** Algunas bandejas tienen una apariencia diferente y sólo encajarán en una ubicación.

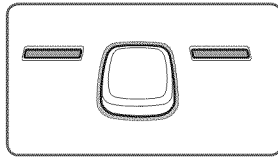
**⚠ PRECAUCIÓN:** No llene o envase en exceso los alimentos en los compartimentos de la puerta. Podría dañar el compartimento o sufrir lesiones personales al retirar los alimentos aplicando una fuerza excesiva.



## REEMPLAZO DEL FILTRO DE AIRE

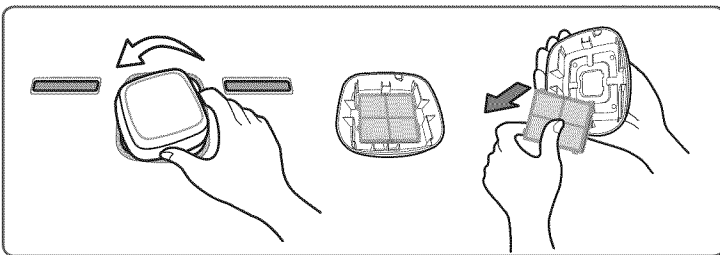
Se recomienda reemplazar el filtro de aire:

- Aproximadamente cada seis meses.
- Cuando se encienda la luz CHANGE AIR FILTER (Cambiar filtro de aire).



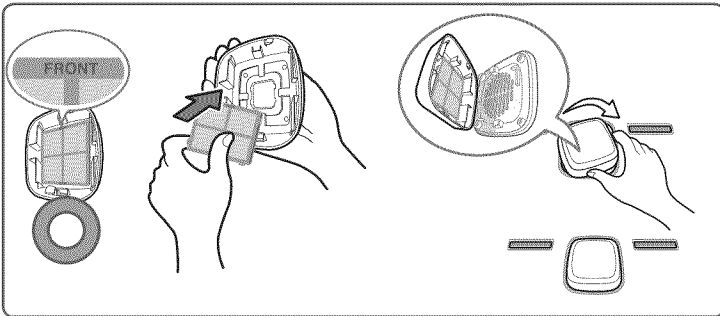
### 1. Extraiga el filtro viejo

Gire la tapa del filtro hacia la izquierda para separarlo de la pared del refrigerador. El filtro se ubica en la parte interior de la tapa del filtro. Quite el filtro de la tapa y reemplácelo con uno nuevo.



### 2. Instale un nuevo filtro de aire.

Coloque un filtro nuevo dentro de la tapa con el lateral que dice "Frente" mirando hacia afuera. Gire el filtro hacia la derecha para sujetarlo a la pared del refrigerador.



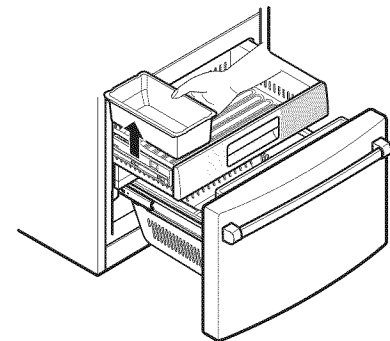
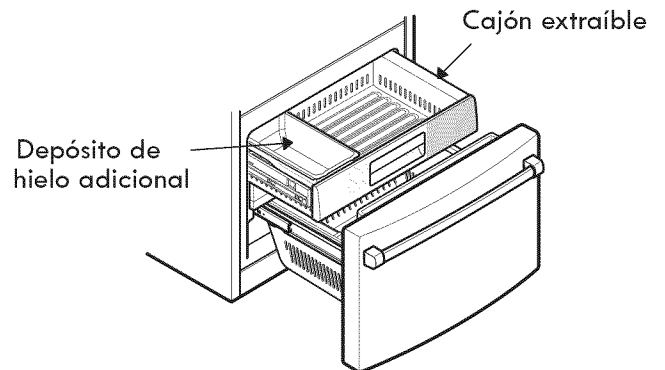
Luego de cambiar el filtro, mantenga pulsado el botón Air Filter durante tres segundos para restablecer el sensor del filtro.

**NOTA:** Para adquirir un filtro de aire de reemplazo, visitar su tienda local de Sears, o llame en EE.UU. 1-844-553-6667. y llame en Canadá 1-800-469-4663. Para compra web, visita: [www.kenmore.com](http://www.kenmore.com)

## SECCIÓN CONGELADOR

### DEPÓSITO DE HIELO ADICIONAL

1. Tire del cajón congelador y el cajón extraíble lo máximo posible para retirar el depósito de hielo adicional.
2. Con cuidado levante y saque el depósito de hielo.
3. Para volver a colocarlo, tire de los dos cajones lo máximo posible y ponga el depósito en su posición correcta en el cajón extraíble. Cierre el cajón extraíble y, después, el cajón del congelador.

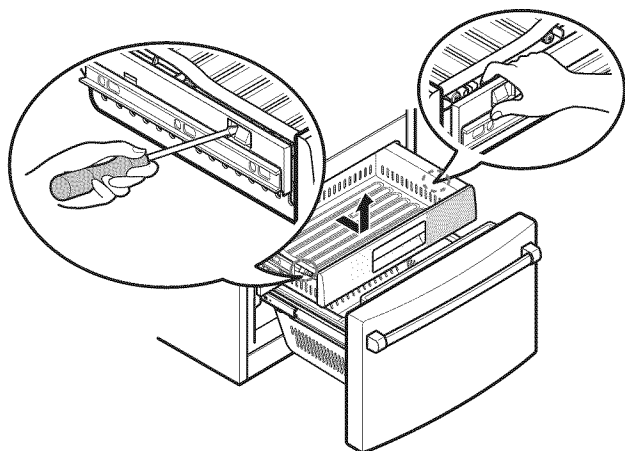


**⚠ PRECAUCIÓN:** Peligro de pinzamiento. Mantenga las manos y pies lejos de la parte inferior del cajón del congelador al abrir y al cerrar.

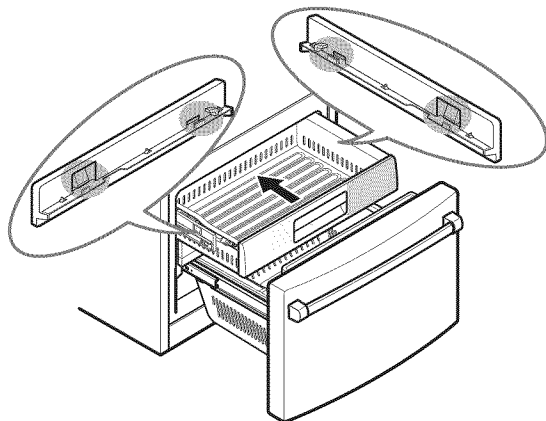
## CAJÓN EXTRAÍBLE

### Cajón superior

1. Para quitar el filtro, jale la gaveta en toda su extensión. En el riel izquierdo, empuje con un desarmador de punta plana la lengüeta para liberar la gaveta del riel, como se ilustra a continuación. Una vez que esté liberado el lado izquierdo, empuje la lengüeta del lado derecho con el dedo para liberar la gaveta. Levante la parte delantera de la gaveta y luego júlela hacia afuera.

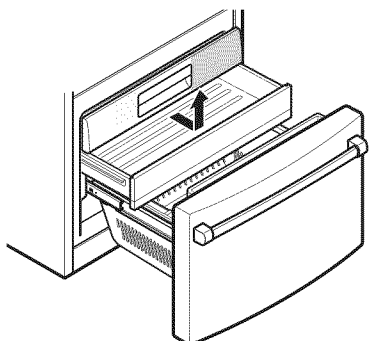


2. Para volver a colocarla, incline levemente hacia arriba la parte delantera de la gaveta, inserte la gaveta en el marco y empújela en su lugar hasta que escuche un clic.

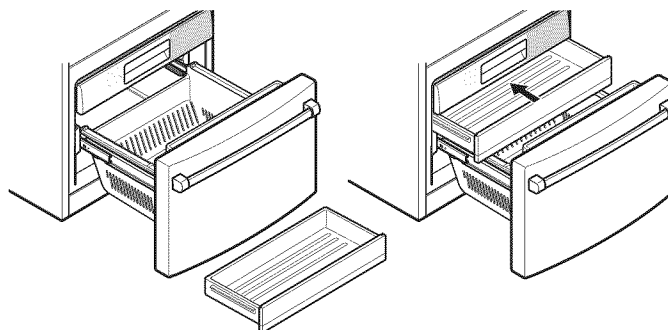


### Cajón medio

1. Para extraer el cajón, tírelo completamente hacia afuera. Levante el frente del cajón, y tire del mismo directamente hacia afuera.

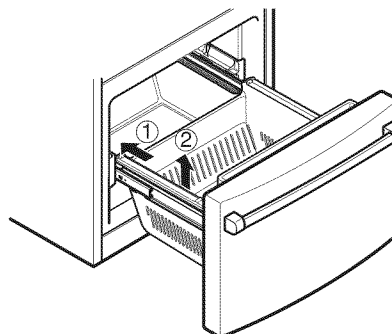


2. Para volver a colocarlo, incline la parte delantera del cajón ligeramente hacia arriba, inserte el cajón en el marco y empuje hasta que encaje en su sitio.



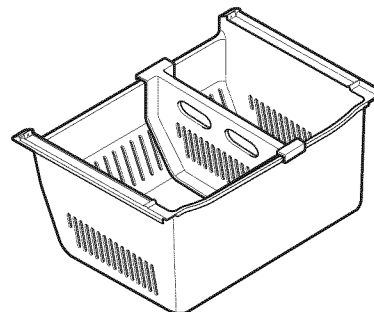
## DURABASE

1. Para desmontar el Durabase, empújelo hacia atrás todo lo posible. Incline hacia arriba la parte delantera del Durabase y tire de él hacia fuera.
2. Para volver a colocarlo, inserte el Durabase en la estructura de rieles.



## DIVISOR DURABASE

El divisor Durabase le permite organizar el área Durabase en secciones. Se puede ajustar de lado a lado para alojar artículos de diferentes tamaños.



- ⚠ ADVERTENCIA:** Si se retira el divisor Durabase, habrá suficiente espacio abierto para que un niño o una mascota puedan gatear hasta el interior. Para evitar el atrapamiento accidental de un niño o una mascota y el posible riesgo de asfixia, NO permita que niños y mascotas toquen ni se acerquen al cajón.

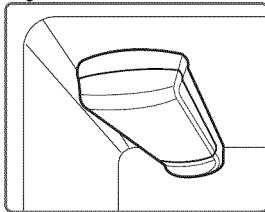
# FILTRO DE AGUA

## FILTRO DE AGUA

Water Filter

Se recomienda reemplazar el filtro de agua:

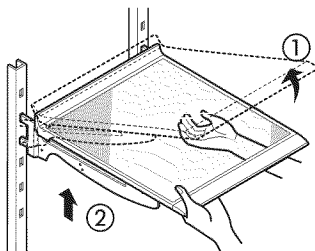
- Aproximadamente cada 6 meses.
- Cuando el indicador del filtro del agua se encienda.
- Cuando disminuya el caudal del dispensador de agua.
- Cuando los cubitos de hielo sean más pequeños de lo normal.



### Antes de sustituir el filtro de agua:

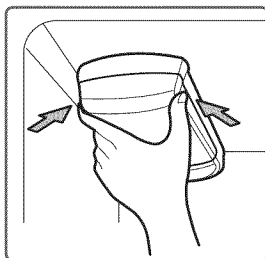
Si el estante superior, situado debajo del filtro de agua, está en la posición más alta, se necesitará retirar el mismo antes de sustituir el filtro de agua.

Para retirar cualquier estante - Levante el frente del estante ① y tire hacia arriba ②. Saque el estante.

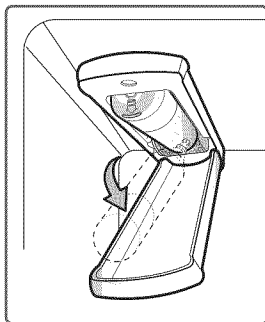


### 1. Quite el antiguo filtro de agua.

- Baje o desmonte el estante superior izquierdo para permitir que el filtro de agua pueda girar hacia abajo totalmente.
- Pulse el botón de presión para abrir la tapa del filtro de agua.



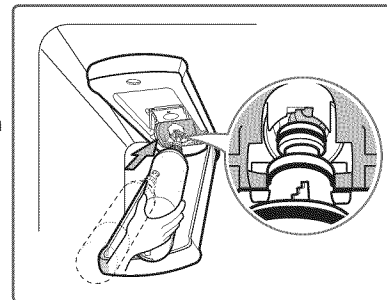
**NOTA:** Al reemplazar el filtro de agua se drena una pequeña cantidad de agua (unos 25 cc). Coloque un vaso debajo de la parte delantera de la tapa del filtro de agua para recoger el agua que se escape. Sostenga el filtro de agua en posición vertical, una vez retirado, para evitar que el agua residual se salga del filtro de agua.



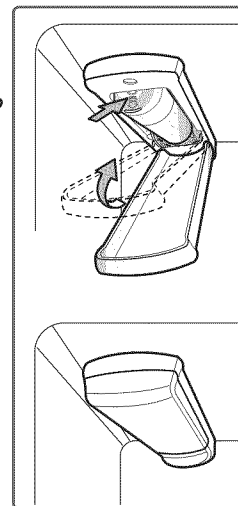
- Tire del filtro de agua hacia abajo y sáquelo.

### 2. Reemplácelo con un filtro de agua nuevo.

- Saque el nuevo filtro de agua de su envoltorio y retire la tapa protectora de las juntas tóricas. Con las pestañas del filtro de agua en posición horizontal, empuje el nuevo filtro de agua en el orificio del colector hasta que haga tope.



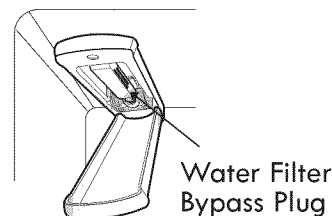
- Gire el filtro de agua hacia arriba hasta colocarlo en su sitio y cierre la tapa. La tapa hará "clic" cuando se cierre correctamente.



- 3. Después de reemplazar el filtro de agua, dispense 9 litros de agua (deje correr el agua durante unos 5 minutos) para purgar el aire atrapado y los contaminantes del sistema; no dispense los 9 litros de agua de manera continua. Pulse y suelte el botón del dispensador en ciclos de 30 segundos ON y 60 segundos OFF.

### 4. Tapón de derivación del filtro de agua

Conserve el tapón de derivación del filtro de agua. DEBE usar el tapón de derivación del filtro cuando no disponga de un cartucho de filtro de agua de repuesto.



Water Filter Bypass Plug

**⚠ PRECAUCIÓN:** NO ponga en marcha el frigorífico sin tener un filtro de agua o un tapón de derivación del filtro de agua instalado.

**NOTA:** Para comprar un filtro de agua de repuesto, visitar su tienda local de Sears, o llame en EE.UU. 1-844-553-6667. y llame en Canadá 1-800-469-4663. Para compra web, visita: [www.kenmore.com](http://www.kenmore.com)

Hoja de datos de rendimiento

Utilice un recambio de cartucho: 04609690000P

La concentración de las sustancias indicadas en el agua que entra al sistema se redujo a una concentración inferior o igual al límite permisible para el agua que sale del sistema tal como se especifica en las normas 42 y 53 de NSF/ANSI.



Sistema probado y certificado por NSF International conforme a las normas 42 y 53 de NSF/ANSI para la reducción de las sustancias que se enumeran a continuación.

Reducción de contaminantes	Concentración promedio	Concentración objetivo en agua	% medio de reducción	Concentración permisible del producto en agua	Concentración máxima permisible del producto en agua	Requisitos de reducción de NSF	Informe de pruebas de NSF
Olor y sabor a cloro	2,1 mg/L	2,0 mg/L ± 10%	97,2%	0,06 mg/L	N/D	≥ 50%	J-00049247
Partículas nominales (Clase I), ≥0,5 to < 1,0 µm	5,600,000 pts/mL	Como mínimo 10.000 partículas/mL	98,7%	73.000 pts/ml	N/D	≥ 85%	J-00049282
Amianto	190 MFL	107 a 108 MFL; fibras mayores de 10 µm de longitud	>99%	< 1 MFL	N/D	≥99%	J-0004928
Atracina	0,0094 mg/L	0,009 mg/L ± 10%	94,7%	0,00005 mg/L	0,003 mg/L	N/D	J-00049293
Benceno	0,016 mg/L	0,015 mg/L ± 10%	96,7%	0,005 mg/L	0,005 mg/L	N/D	J-00049300
Carbofurano	0,08 mg/L	0,08 mg/L ± 10%	98,1%	0,002 mg/L	0,04 mg/L	N/D	J-00049294
Lindano	0,002 mg/L	0,002 mg/L ± 10%	98,2%	0,00004 mg/L	0,0002 mg/L	N/D	J-00051975
P-Diclorobenceno	0,22 mg/L	0,225 mg/L ± 10%	99,8%	0,0005 mg/L	0,075 mg/L	N/D	J-00049298
Toxafeno	0,014 mg/L	0,015 mg/L ± 10%	93%	0,001 mg/L	0,003 mg/L	N/D	J-00049302
2,4-D	0,213 mg/L	0,210 mg/L ± 10%	95,2%	0,009 mg/L	0,07 mg/L	N/D	J-00049284
Plomo con pH 6,5	0,150 mg/L	0,15 mg/L ± 10%	>99,3%	0,001 mg/L	0,010 mg/L	N/D	J-00051974
Plomo con pH 8,5	0,150 mg/L	0,15 mg/L ± 10%	>99,3%	0,001 mg/L	0,010 mg/L	N/D	J-00049277
Mercurio con pH 6,5	0,0059 mg/L	0,006 mg/L ± 10%	96,1	0,0002 mg/L	0,002 mg/L	N/D	J-00053886
Mercurio con pH 8,5	0,0058 mg/L	0,006 mg/L ± 10%	90,1	0,0006 mg/L	0,002 mg/L	N/D	J-00051972
Quiste*	120.000 quistes/L	Mínimo 50.000 quistes/L	99,99%	<1 quiste/L	N/D	≥99,95%	J-00049281

\* Basado en el uso de ooquistes de *Cryptosporidium parvum*

Directrices de aplicación/Parámetros del suministro de agua	
Flujo de servicio	1,9 lpm (0,5 gpm)
Suministro de agua	Agua potable
Presión del agua	138 - 827 kPa (20-120 psi)
Temperatura del agua	0,6 °C - 38 °C (33 °F - 100 °F)

Es esencial respetar los requisitos recomendados por el fabricante para la instalación, mantenimiento y reemplazo del filtro de agua para que el producto se comporte de la forma indicada.

**NOTA:** Las pruebas se realizan en condiciones estándar de laboratorio, por lo que el rendimiento real puede variar.

**NOTA:** Para comprar un filtro de agua de repuesto, visitar su tienda local de Sears, o llame en EE.UU. 1-844-553-6667, y llame en Canadá 1-800-469-4663. Para compra web, visita: [www.kenmore.com](http://www.kenmore.com)  
 filtro de agua de repuesto: ADQ36006102

Producto distribuido en Estados Unidos por Sears Brand Management Corporation.

3M es una marca comercial de 3M Company.  
 NSF es una marca comercial de NSF International.  
 © 2009 3M Company. Reservados todos los derechos.

## ! ADVERTENCIA

**Para reducir el riesgo asociado a la ingestión de contaminantes: No utilice agua que no sea segura microbiológicamente o cuya calidad se desconozca sin una desinfección adecuada antes o después del sistema.** Los sistemas certificados para la reducción de quistes puede utilizarse en aguas desinfectadas que puedan contener quistes filtrables. Número de establecimiento de 10350-MN-005

## ! PRECAUCIÓN

**Para reducir el riesgo asociado con daños materiales debidos a fugas de agua:**

- **Lea y cumpla** las instrucciones de uso del filtro de agua antes de la instalación y uso de este sistema.
- La instalación y uso **DEBE** cumplir con todas las normativas de fontanería estatales y locales.
- **No** instalar si la presión del agua excede los 120 psi (827 kPa). Póngase en contacto con un fontanero profesional si no está seguro de cómo comprobar la presión del agua.
- **No** instalar en sistemas donde se pueda producir el efecto de golpe de ariete. Si existe una situación de golpe de ariete en la instalación, debe instalar un amortiguador de golpe de ariete. Póngase en contacto con un fontanero profesional si no está seguro de cómo comprobar esta situación.
- **No** instalar en tuberías de suministro de agua caliente. La temperatura máxima de funcionamiento del agua de este sistema de filtrado de agua es de 38 °C (100 °F).
- **Proteja el filtro de agua de la congelación.** No use el frigorífico en condiciones ambientales por debajo de los 13 °C (55 °F). Drene el filtro de agua cuando almacene la unidad en temperaturas inferiores a los 4,4 °C (40 °F).
- El filtro de agua desechable se debe reemplazar cada seis meses, a la capacidad nominal, o si se produce una significativa reducción del flujo.

State of California  
 Department of Public Health  
 Water Treatment Device  
 Certificate Number  
 09 - 2019

Date Issued: December 15, 2009

**Manufacturer:** Sears Roebuck and Co.

The water treatment device(s) listed on this certificate have met the testing requirements pursuant to Section 116830 of the Health and Safety Code for the following health related contaminants:

**Microbiological Contaminants and Turbidity**

Cysts

**Inorganic/Radiological Contaminants**

Asbestos

Lead

Mercury

**Organic Contaminants**

2,4-D Reduction

Atrazine

Benzene

Carbofuran

Lindane

p-Dichlorobenzene

Toxaphene

**Rated Service Capacity:** 200 gal

**Rated Service Flow:** 0.5 gpm

**Conditions of Certification:**

## ⚠ ADVERTENCIA



### Riesgo de explosión

Use un limpiador no inflamable. Si no se respeta esta advertencia, existe peligro de explosión, incendio o muerte.

Tanto las secciones refrigerador como congelador se descongelan de forma automática; sin embargo, se recomienda limpiar ambas secciones una vez al mes para evitar la aparición de olores. Seque los derrames inmediatamente.

### SUGERENCIAS GENERALES DE LIMPIEZA

- Desenchufe el refrigerador o desconecte la alimentación.
- Retire todos los componentes extraíbles, como estantes, cajones, etc. Consulte las secciones en **Uso del refrigerador** para obtener instrucciones acerca del desmontaje.
- Use una esponja limpia o un trapo suave, junto con un detergente suave en agua templada. No utilice limpiadores abrasivos o agresivos.
- Lave a mano, aclare y seque todas las superficies a fondo.
- Enchufe el refrigerador o vuelva a conectar la corriente.

### EXTERIOR

El encerado de las superficies metálicas pintadas externas proporciona una protección contra el óxido. No encere las piezas de plástico. Encere las superficies metálicas pintadas al menos dos veces al año con cera para electrodomésticos (o cera en pasta para coches). Aplique la cera con un trapo suave y limpio.

Para productos con un exterior en acero inoxidable, use una esponja limpia o un trapo suave, junto con un detergente suave en agua templada. No utilice limpiadores abrasivos o agresivos. Seque a fondo con un trapo suave.

### PAREDES INTERIORES (deje que el congelador se caliente para que el trapo no se quede pegado)

Para ayudarle a eliminar los olores, puede lavar el interior del refrigerador con una mezcla de bicarbonato sódico y agua templada. Mezcle 2 cucharadas soperas de bicarbonato sódico (unos 26 g) en 1 litro de agua. Asegúrese de que el bicarbonato sódico esté completamente disuelto para que no raye las superficies del refrigerador.

⚠ **PRECAUCIÓN:** Cuando esté limpiando el interior, no pulverice agua.

### REVESTIMIENTO DE LAS PUERTAS Y JUNTAS

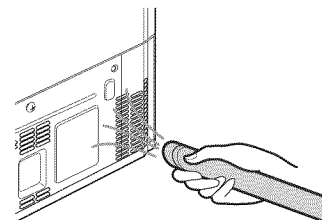
Use una esponja limpia o un trapo suave, junto con un detergente suave en agua templada. No utilice ceras de limpieza, detergentes concentrados, lejías ni limpiadores que contengan petróleo en las piezas del refrigerador que son de plástico.

### PIEZAS DE PLÁSTICO (tapas y paneles)

Use una esponja limpia o un trapo suave, junto con un detergente suave en agua templada. No utilice sprays para ventanas, limpiadores abrasivos ni líquidos inflamables, ya que pueden arañar o dañar el material.

### BOBINAS DEL CONDENSADOR

Use un aspirador con un accesorio para limpiar las bobinas del condensador y las rejillas de ventilación. No retire el panel que cubre el área de las bobinas del condensador.



## SUSTITUCIÓN DE LA BOMBILLA

**⚠ ADVERTENCIA****Riesgo de descargas eléctricas**

Antes de reemplazar la bombilla de un compartimento, desenchufe el refrigerador o corte la corriente en el disyuntor o en la caja de fusibles.

**NOTA:** La lámpara del compartimento del refrigerador es una iluminación interior mediante LEDs por lo que el mantenimiento deberá ser realizado por un técnico cualificado.

## INTERRUPCIONES DE ALIMENTACIÓN

1. Si la interrupción de la corriente durará 24 horas o menos, mantenga todas las puertas del refrigerador cerradas para que los alimentos permanezcan fríos y congelados.
2. Si la interrupción de la corriente durará más de 24 horas, saque todos los alimentos congelados y almacénelos en un arcón congelador.

## CUANDO SE VA DE VACACIONES

**Si decide dejar encendido el refrigerador mientras está fuera,** siga estos pasos para preparar el refrigerador antes de irse.

1. Consuma los alimentos perecederos y congele los demás.
2. Apague la máquina de hielo y vacíe el depósito de hielo.

**Si decide apagar el refrigerador antes de partir,** siga estos pasos.

1. Saque todos los alimentos del refrigerador.
2. En función del modelo, ajuste el control del termostato (control del refrigerador) en OFF. Consulte la sección **Ajuste de los controles.**
3. Limpie el refrigerador y séquelo a fondo.
4. Con cinta adhesiva, coloque bloques de madera o goma en la parte superior de ambas puertas para mantenerlas lo suficientemente abiertas para que pueda pasar el aire. Esto evitará la aparición de moho y malos olores.

## CUANDO SE MUDA

Cuando vaya a trasladar su refrigerador a una nueva casa, siga estos pasos para prepararlo para la mudanza.

1. Saque todos los alimentos del refrigerador y empaquete todos los alimentos congelados en hielo seco.
2. Desenchufe el refrigerador.
3. Lávelo y séquelo a fondo.
4. Retire todos los componentes extraíbles, envuélvalos bien y, con cinta adhesiva, embálelos juntos para que no se muevan ni traqueteen durante la mudanza. Consulte la sección **Uso del refrigerador** para obtener instrucciones sobre componentes extraíbles.
5. En función del modelo, levante la parte delantera del refrigerador para que ruede con más facilidad O BIEN atornille los pies de nivelación para que no rayen el suelo. Consulte la sección **Cierre de las puertas.**
6. Use cinta adhesiva para mantener las puertas cerradas y para pegar el cable de alimentación al cuerpo del refrigerador.

Cuando llegue a su nueva casa, vuelva a colocar todo en su sitio y consulte la sección **Instalación del refrigerador** para obtener las instrucciones de preparación.

# CONEXIÓN DE LA TUBERÍA DE AGUA

## ANTES DE EMPEZAR

Esta instalación de la tubería de agua no está cubierta por la garantía del refrigerador. Siga estas instrucciones con cuidado para minimizar el riesgo de costosos daños debidos al agua.

El golpe de ariete (golpeteo del agua en las tuberías) en la fontanería de la casa podría dañar componentes del refrigerador y provocar una fuga o una inundación de agua. Llame a un fontanero cualificado para resolver el golpe de ariete antes de instalar la tubería de suministro de agua en el refrigerador.

**⚠ PRECAUCIÓN:** Para evitar quemaduras y daños en el producto, conecte sólo el tubo de agua del refrigerador a un suministro de agua fría.

Si utiliza el refrigerador antes de la conexión al suministro de agua, asegúrese de apagar la máquina de hielo en el panel de control.

**⚠ PRECAUCIÓN:** No instale la tubería de la máquina de hielo en zonas donde las temperaturas descienden por debajo del punto de congelación.

## PRESIÓN DEL AGUA

**Un suministro de agua fría.** La presión del agua debe estar entre los 20 y los 120 psi. Si el refrigerador se instala en un área con baja presión de agua (menos de 20 psi), se puede instalar una bomba de carga para compensar la baja presión.

Si se conecta un **sistema de filtración de agua de ósmosis inversa** al suministro de agua fría, esta instalación de la tubería de agua no está cubierta por la garantía del refrigerador. Siga estas instrucciones con cuidado para minimizar el riesgo de costosos daños debidos al agua.

Si se conecta un **sistema de filtración de agua de ósmosis inversa** al suministro de agua fría, la presión de agua al sistema de ósmosis inversa debe ser como mínimo de entre 40 y 60 psi (276-414 kPa o 2,8-4,2 kgf/cm<sup>2</sup>, menos de 2-3 s para llenar un vaso de 7 oz o 198 cc de capacidad).

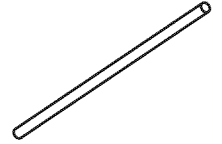
Si la presión del agua del sistema de ósmosis inversa es inferior a 20 psi o 138 kPa o 1,4 kgf/cm<sup>2</sup> (se necesitan más de 4 s para llenar un vaso de 7 oz o 198 cc de capacidad):

- Compruebe si el filtro de sedimentos del sistema de ósmosis inversa está bloqueado. Reemplace el filtro si es necesario.
- Después de un uso intensivo, déle tiempo al depósito de almacenamiento del sistema de ósmosis inversa para que se llene.
- Si el problema relacionado con la presión de agua procedente de la ósmosis inversa persiste, llame a un fontanero cualificado.
- Todas las instalaciones deben realizarse conforme a los requisitos de los códigos locales de fontanería.

**⚠ PRECAUCIÓN:** Use gafas protectoras durante la instalación para evitar lesiones.

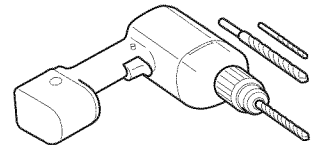
## QUÉ NECESITARÁ

- **Tubería de cobre**, de ¼ de pulgada de diámetro, para conectar el refrigerador al suministro de agua. Asegúrese de que ambos extremos de la tubería están cortados a escuadra.
- Para determinar la cantidad de tubería que necesita: mida la distancia desde la válvula de agua situada en la parte posterior del refrigerador a la tubería del suministro de agua. A continuación, súmele 2,4 metros (8 pies). Asegúrese de que haya suficiente tubería adicional (aproximadamente 2,4 metros [8 pies] enrollada en 3 vueltas de unos 25 cm [10 pulg.] de diámetro) para permitir que se pueda despegar el refrigerador de la pared después de la instalación.

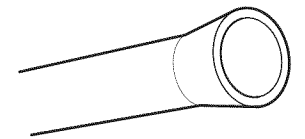
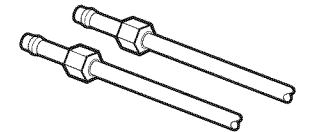


- **Taladro eléctrico.**
- **Llave de ½ pulg. o una llave inglesa.**
- **Destornilladores de punta plana y de estrella.**

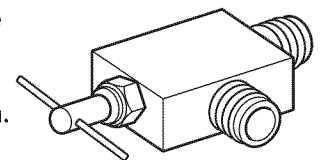
- **Dos tuercas de compresión con un diámetro exterior de ¼ de pulg. y 2 abrazaderas** para unir el tubo de cobre a la válvula de corte y a la válvula de agua del refrigerador.



- Si la tubería de agua de cobre existente tiene una conexión abocinada en el extremo, necesitará un **adaptador** (disponible en cualquier ferretería) para conectar la tubería de agua al refrigerador O puede cortar la conexión abocinada con un cortatubos y, a continuación, usar una tuerca de unión.



- **Una válvula de corte para conectar a la tubería de agua fría.** La válvula de corte debería tener una entrada de agua con un diámetro interior mínimo de 5/32 pulg. en el punto de conexión con la TUBERÍA DE AGUA FRÍA. Las válvulas de corte de montura se incluyen en muchos kits de suministros de agua. Antes de comprarla, asegúrese de que la válvula de montura cumple con los códigos locales de fontanería.



**NOTA:** No se debe usar una válvula de agua de tipo de montura autopercutor.

## ⚠ ADVERTENCIA

### Riesgo de descargas eléctricas

Si usa un dispositivo eléctrico (como un taladro) durante la instalación, asegúrese de que esté alimentado por batería y que tenga doble aislamiento o que esté correctamente conectado a tierra de manera que evite el riesgo de una descarga eléctrica.

## INSTRUCCIONES DE INSTALACIÓN

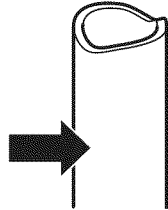
Instale la válvula de corte cerca de la tubería de agua potable que más se usa.

### 1. CORTE EL SUMINISTRO DE AGUA PRINCIPAL

Abra el grifo más cercano para liberar la presión de la línea.

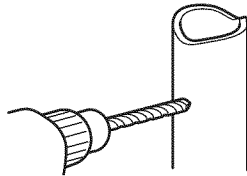
### 2. ELIJA LA UBICACIÓN DE LA VÁLVULA

Elija una ubicación para la válvula a la que se pueda acceder fácilmente. Es mejor conectarla en el lateral de una tubería de agua vertical. Cuando sea necesario conectarla en una tubería de agua horizontal, realice la conexión en la parte superior o lateral, en lugar de conectarla a la parte inferior, para evitar la acumulación de sedimentos de la tubería de agua.



### 3. TALADRE EL ORIFICIO PARA LA VÁLVULA

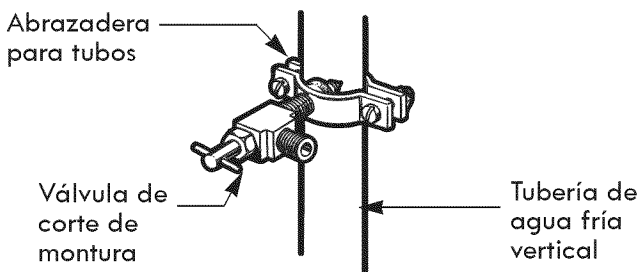
Taladre un orificio de 1/4 pulg. en la tubería de agua mediante una punta afilada. Quite todas las rebabas resultantes de taladrar el orificio en la tubería. Tenga cuidado de que no caiga agua en el taladro. Si no se taladra un orificio de 1/4 de pulg., podría verse reducida la producción de hielo y el tamaño de los cubitos.



**NOTA:** La tubería de conexión no puede ser una tubería blanca de plástico. Los fontaneros profesionales solo pueden utilizar tuberías de cobre (tuberías NDA #49595 o #49599) o tuberías de Polietileno Reticular (PEX).

### 4. FIJE LA VÁLVULA DE CORTE

Fije la válvula de corte a la tubería de agua fría con la abrazadera para tubos.

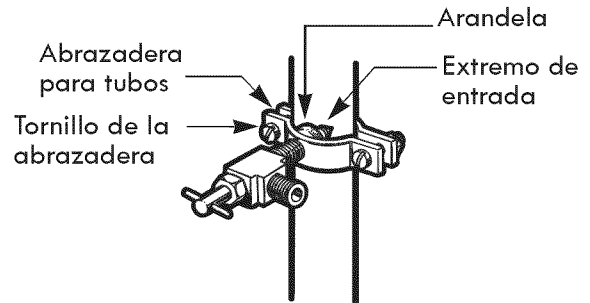


**NOTA:** Se deben cumplir los códigos de fontanería 248CMR del Estado de Massachusetts. Las válvulas de montura son ilegales y no se permite su uso en Massachusetts. Consulte a su fontanero autorizado.

### 5. APRIETE LA ABRAZADERA PARA TUBOS

Apriete los tornillos de la abrazadera hasta que la arandela de sellado comience a hincharse.

**NOTA:** Tenga cuidado de no sobreapretar la abrazadera, ya que podría romper la tubería.



### 6. ENCAMINE LA TUBERÍA

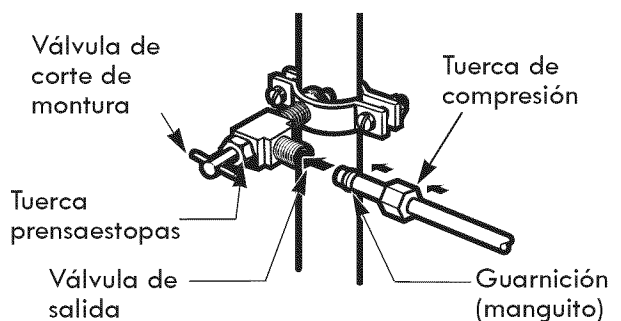
Encamine la tubería entre la tubería de agua fría y el refrigerador.

Encamine la tubería a través de un orificio taladrado en la pared o suelo (detrás del refrigerador o junto a la base del aparato) lo más cerca de la pared que sea posible.

**NOTA:** Asegúrese de que haya suficiente tubería adicional (aproximadamente 2,4 metros enrollada en 3 vueltas de unos 25 cm diámetro) para permitir que se pueda despegar el refrigerador de la pared después de la instalación.

### 7. CONECTE LA TUBERÍA A LA VÁLVULA

Coloque la tuerca de compresión y la abrazadera para la tubería de cobre en el extremo de la tubería y conéctela a la válvula de corte. Asegúrese de que la tubería está completamente insertada en la válvula. Apriete la tuerca de compresión con fuerza.



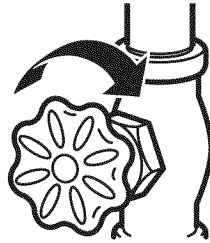
**NOTA:** Se deben cumplir los códigos de fontanería 248CMR del Estado de Massachusetts. Las válvulas de montura son ilegales y no se permite su uso en Massachusetts. Consulte a su fontanero autorizado.

## CONEXIÓN DE LA TUBERÍA DE AGUA

### 8. ACLARE EL INTERIOR DE LA TUBERÍA

Active el suministro de agua principal y deje correr el agua por la tubería hasta que salga agua limpia.

Corte la válvula de agua después de que haya pasado aproximadamente un litro de agua a través de la tubería.

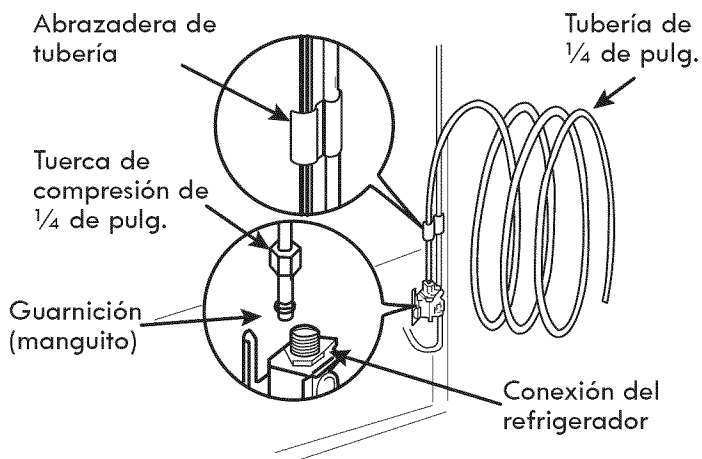


### 9. CONECTE LA TUBERÍA AL REFRIGERADOR

#### ! ADVERTENCIA

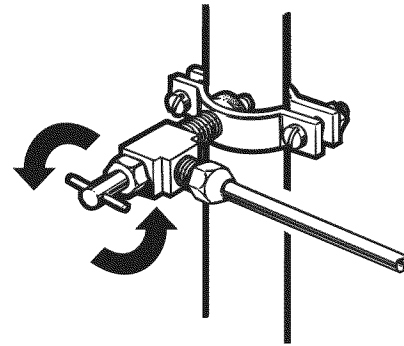
Antes de realizar la conexión al refrigerador, asegúrese de que el cable de alimentación del refrigerador no está enchufado a la toma de corriente.

1. Retire la tapa de plástico flexible de la válvula de agua.
2. Coloque la tuerca de compresión y la guarnición (manguito) en el extremo del tubo tal como se muestra en la imagen.
3. Inserte el extremo de la tubería de cobre en la conexión todo lo que pueda. Mientras sujeta la tubería, apriete el adaptador.



### 10. ABRA EL PASO DE AGUA EN LA VÁLVULA DE CORTE

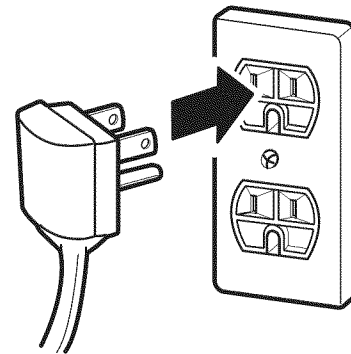
Apriete las conexiones que goteen.



**! PRECAUCIÓN:** Compruebe si hay fugas en las conexiones de las tuberías de agua.

### 11. ENCHUFE EL REFRIGERADOR

Disponga la bobina de tubería de tal manera que no vibre contra la parte posterior del refrigerador ni contra la pared. Empuje el refrigerador hacia la pared.



### 12. ENCIENDA LA MÁQUINA DE HIELO

Encienda la máquina de hielo en el panel de control.

La máquina de hielo no comenzará a funcionar hasta que no alcance su temperatura de funcionamiento de  $-9^{\circ}\text{C}$  ( $15^{\circ}\text{F}$ ) o menos. Se pondrá en funcionamiento automáticamente si se ha puesto en ON el botón de la máquina de hielo.

# GUÍA DE SOLUCIÓN DE PROBLEMAS

Before conducting troubleshooting, make sure that the following basic requirements are met:

Flujo de servicio	1,9 lpm (0,5 gpm)
Suministro de agua	Agua potable
Presión del agua	138 - 827 kPa (20-120 psi)
Límites de temperatura ambiente para el funcionamiento	55°F - 110°F
Especificaciones eléctricas	115 voltios, 60 Hz, AC únicamente, y fusionado a 15 o 20 amperios.

## ENFRIADO

Problema	Causas posibles	Solutions
Las secciones del refrigerador y del congelador no enfrían.	El control del refrigerador está en la posición OFF (en algunos modelos).	Encienda el control. Consulte la sección Ajuste de los controles para obtener información acerca de los ajustes correctos de temperatura.
	El refrigerador está en Demo Mode (Modo Demostración).	El Modo demostración permite que las luces y la pantalla de control funcionen con normalidad, si bien el sistema de refrigeración está deshabilitado para ahorrar energía, mientras el electrodoméstico está en la planta de exposición del establecimiento comercial. Consulte la sección Ajuste de los controles para obtener instrucciones sobre cómo desactivar el Modo Demostración.
	El refrigerador está en el ciclo de descongelación.	Durante el ciclo de descongelación, la temperatura de cada compartimiento puede aumentar ligeramente. Espere 30 minutos y una vez que se haya completado el ciclo de descongelación, verifique que la temperatura correcta se haya restablecido.
	El refrigerador se instaló recientemente.	Puede tomar hasta 24 horas para que cada compartimiento alcance la temperatura deseada.
	El refrigerador se trasladó recientemente.	Si el refrigerador estuvo fuera de uso por mucho tiempo, o si estuvo guardado de costado, es necesario que se lo posiciones de manera vertical por 24 horas antes de conectarlo a la energía eléctrica.
El sistema de enfriado funciona por demasiado tiempo.	El refrigerador ha reemplazado a un modelo más antiguo.	Los refrigeradores modernos requieren más tiempo de funcionamiento pero consumen menos energía gracias a una tecnología más eficiente.
	El refrigerador se acaba de enchufar o la electricidad se acaba de restablecer.	El refrigerador puede tardar hasta 24 horas en enfriarse completamente.
	La puerta se abre a menudo o se acaba de introducir una gran cantidad de alimentos/ alimentos calientes.	Cuando se introducen alimentos o se abren las puertas, aumenta la temperatura del refrigerador, lo que obliga al compresor a funcionar por más tiempo para volver a enfriar el refrigerador. Para ahorrar energía, intente sacar todo lo que necesite del refrigerador de una sola vez, mantenga los alimentos organizados para que resulte fácil encontrarlos, y cierre la puerta en cuanto saque el alimento. (Consulte la Guía para el almacenamiento de alimentos).
	Las puertas no están completamente cerradas.	Empuje firmemente para cerrar las puertas. Si éstas no se cierran por completo, consulte el apartado "Las puertas no se cierran completamente o quedan abiertas en la sección Componentes y Características de la Guía de resolución de problemas.
	El refrigerador está instalado en un lugar caluroso.	El compresor funcionará por más tiempo en condiciones calurosas. A temperaturas ambiente normales (21 °C), el compresor debería funcionar entre el 40% y el 80% del tiempo. En condiciones más calurosas, sería esperable que funcionara incluso más a menudo. No se debería usar el refrigerador si la temperatura supera los 43°C.
	La tapa posterior/ el condensador está obstruida/o.	Use un aspirador con un accesorio para limpiar las bobinas del condensador y las rejillas de ventilación. No retire el panel que cubre el área de las bobinas del condensador.

**ENFRIADO**

Problema	Causas posibles	Solutions
La sección del REFRIGERADOR o del CONGELADOR está demasiado caliente.	El refrigerador se instaló recientemente.	Puede tomar hasta 24 horas para que cada compartimiento alcance la temperatura deseada.
	Los conductos de ventilación del aire están bloqueados.	Reorganice los artículos dentro del electrodoméstico para permitir que el aire fluya a través del compartimiento. Consulte el diagrama de Flujo de aire en la sección Uso del refrigerador.
	Las puertas se abren a menudo o por largos períodos de tiempo.	Cada vez que las puertas se abren a menudo o por largos períodos de tiempo, ingresa aire caliente y húmedo al compartimiento. Esto aumenta la temperatura y el nivel de humedad dentro de compartimiento. Para disminuir el efecto, reduzca la frecuencia y duración de apertura de la puerta.
	La unidad está instalada en un lugar caluroso.	No se debería usar el refrigerador si la temperatura supera los 43°C (110°F).
	Se agregó una gran cantidad de alimentos o alimentos calientes al alguno de los compartimientos.	Agregar alimentos calienta el compartimiento, con lo cual se necesita que el sistema de enfriado comience a funcionar. Dejar que la comida caliente se enfríe a temperatura ambiente antes de ponerla en el refrigerador reducirá dicho efecto.
	Las puertas no cierran correctamente.	Consulte el apartado "Las puertas no se cierran completamente o quedan abiertas" en la sección Componentes y Características de la Guía de resolución de problemas.
	El control de temperatura no es el adecuado.	Si la temperatura no está lo suficientemente fría, ajuste el control de a un punto a la vez y espere a que la temperatura se estabilice. Consulte la sección Ajuste de los controles para obtener mayor información.
	El ciclo de descongelación se ha completado recientemente.	Durante el ciclo de descongelación, la temperatura de cada compartimiento puede aumentar ligeramente y se puede formar condensación en la pared trasera. Espere 30 minutos y una vez que se haya completado el ciclo de descongelación, verifique que la temperatura correcta se haya restablecido.
Acumulación de humedad en el interior	Las puertas se abren seguido o por largos períodos de tiempo.	Cada vez que las puertas se abren seguido o por largos períodos de tiempo, ingresa aire caliente y húmedo al compartimiento. Esto aumenta la temperatura y el nivel de humedad dentro de compartimiento. Para disminuir el efecto, reduzca la frecuencia y duración de apertura de la puerta.
	Las puertas no cierran correctamente.	Consulte el apartado "Las puertas no se cierran correctamente" en la sección Guía para la solución de problemas.
	El clima es húmedo.	El clima húmedo hace que más humedad ingrese a los compartimientos cuando se abren las puertas, provocando condensación o congelación. Mantener un nivel razonable de humedad en el hogar ayudará a controlar la cantidad de humedad que ingresa en los compartimientos.
	El ciclo de descongelación se acaba de completar.	Durante el ciclo de descongelación, la temperatura de cada compartimiento puede aumentar ligeramente y se puede formar condensación en la pared trasera. Espere 30 minutos y una vez que se haya completado el ciclo de descongelación, verifique que la temperatura correcta se haya restablecido.
	Los alimentos no están empaquetados correctamente.	Los alimentos destapados o desenvueltos y los envases húmedos pueden provocar la acumulación de humedad dentro de cada compartimiento. Limpie y seque todos los envases, y almacene los alimentos en empaques sellados para prevenir la condensación y la congelación.

**ENFRIADO/ HIELO Y AGUA**

Problema	Causas posibles	Solutions
Los alimentos se congelan en el compartimiento del refrigerador.	Alimentos con alto contenido de agua fueron colocados cerca de la ventilación de aire.	Reubique los alimentos con alto contenido de agua lejos de las ventilaciones de aire.
	El control de temperatura del refrigerador está incorrectamente ajustado.	Si la temperatura está demasiado fría, ajuste el control de a un punto a la vez y espere a que la temperatura se estabilice. Consulte la sección Ajuste de los controles para obtener mayor información.
	El refrigerador está instalado en un lugar frío.	Cuando el refrigerador funciona a una temperatura menor a los 5°C (41°F), los alimentos pueden congelarse en el compartimiento del refrigerador. No se debería usar el refrigerador si la temperatura es inferior a los 13°C (55°F).
Se forman cristales de hielo o escarcha en los alimentos congelados (fuera de los paquetes).	La puerta se abre seguido o por largos períodos de tiempo.	Cada vez que las puertas se abren a menudo o por largos períodos de tiempo, ingresa aire caliente y húmedo al compartimiento. Esto aumenta la temperatura y el nivel de humedad dentro de compartimiento. La humedad produce congelación y condensación. Para disminuir el efecto, reduzca la frecuencia y duración de apertura de la puerta.
	La puerta no se cierra correctamente.	Consulte el apartado "Las puertas no se cierran completamente o quedan abiertas" en la sección de la Guía de resolución de problemas.
La sección del REFRIGERADOR o del CONGELADOR está demasiado fría.	Los ajustes de control de temperatura son incorrectos.	Si la temperatura está demasiado fría, ajuste el control de a un punto a la vez y espere a que la temperatura se estabilice. Consulte la sección Ajuste de los controles para obtener mayor información.
Se forman cristales de hielo o escarcha en los alimentos congelados (dentro de paquetes sellados).	La condensación proveniente de los alimentos con alto contenido de agua provoca la congelación en el interior del paquete del alimento.	Esto es normal en alimentos con alto contenido de agua.
	Los alimentos se han dejado en el congelador por un largo tiempo.	No almacene alimentos con alto contenido de agua en el congelador durante mucho tiempo.
La máquina de hielo no hace suficiente hielo.	La necesidad de hielo excede la capacidad de almacenamiento de hielo.	La máquina de hielo fabricará aproximadamente 70-182 cubitos en un período de 24 horas.
	El suministro de agua del hogar no está conectado, la válvula no está completamente encendida, o la válvula está obstruida.	Conecte el refrigerador al suministro de agua fría con adecuada presión y abra completamente la válvula de corte de agua.  Si el problema persiste, puede ser necesario contactar a un plomero.
	El filtro de agua está agotado.	Se recomienda reemplazar el filtro de agua: <ul style="list-style-type: none"> <li>• Aproximadamente cada seis meses.</li> <li>• Cuando se encienda el indicador del filtro del agua.</li> <li>• Cuando disminuya el caudal del dispensador de agua.</li> <li>• Cuando los cubitos de hielo sean más pequeños de lo normal.</li> </ul>
	Baja presión de suministro de agua en el hogar.	La presión del agua debe estar entre los 20 y los 120 psi en modelos sin filtro de agua, y entre los 40 y 120 psi en modelos con filtro de agua.  Si el problema continúa, puede ser necesaria la ayuda de un fontanero o la instalación de una bomba de carga para compensar la baja presión del agua.
	Se utilizar un sistema de filtración de agua de ósmosis inversa.	Los sistemas de filtración de agua de ósmosis inversa pueden reducir la presión de agua por debajo del mínimo y provocar problemas en la máquina de hielo. (Consulte la sección Presión del agua).
	La tubería que conecta el refrigerador al suministro del hogar está retorcida.	La tubería se puede retorcer cuando el refrigerador se mueve durante la instalación o limpieza, lo que provoca un flujo de agua reducido. Enderece o repare el conducto de suministro del agua y arréglole a fin de prevenir futuras torceduras.

**HIELO Y AGUA**

Problema	Causas posibles	Solutions
La máquina de hielo no hace suficiente hielo (continuación).	Las puertas se abren seguido o por largos períodos de tiempo.	Si las puertas de la unidad se abren a menudo, el aire ambiental calentará el refrigerador e impedirá que la unidad pueda mantener la temperatura establecida. Para ayudar a resolver este problema puede bajar la temperatura del refrigerador, además de no abrir la puerta con tanta frecuencia.
	Las puertas no están completamente cerradas.	Si las puertas no se cierran correctamente, la fabricación de hielo se verá afectada. Para obtener mayor información, consulte el apartado “Las puertas no se cierran completamente o quedan abiertas” en la sección Componentes y Características de la Guía de resolución de problemas.
	El ajuste de temperatura del congelador es demasiado cálido.	La temperatura recomendada para el compartimento del congelador para una fabricación normal de hielo es de $-18\text{ }^{\circ}\text{C}$ ( $0\text{ }^{\circ}\text{F}$ ). Si la temperatura del congelador es superior, la fabricación de hielo se verá afectada.
Se dispensa agua lentamente.	El filtro de agua está agotado.	Se recomienda reemplazar el filtro de agua: <ul style="list-style-type: none"> <li>• Aproximadamente cada seis meses.</li> <li>• Cuando se encienda el indicador del filtro del agua.</li> <li>• Cuando disminuya el caudal del dispensador de agua.</li> <li>• Cuando los cubitos de hielo sean más pequeños de lo normal.</li> </ul>
	Se utiliza un sistema de filtración de agua de ósmosis inversa.	Los sistemas de filtración de agua de ósmosis inversa pueden reducir la presión de agua por debajo del mínimo y provocar problemas en la máquina de hielo.  Si el problema continúa, puede ser necesaria la ayuda de un fontanero o la instalación de una bomba de carga para compensar la baja presión del agua.
	Baja presión de suministro de agua en el hogar.	La presión del agua debe estar entre los 20 y los 120 psi en modelos sin filtro de agua, y entre los 40 y 120 psi en modelos con filtro de agua.  Si el problema continúa, puede ser necesaria la ayuda de un fontanero o la instalación de una bomba de carga para compensar la baja presión del agua.
No se dispensa hielo.	Las puertas no están completamente cerradas.	El hielo no se dispensará si hay alguna puerta del refrigerador abierta.
	Uso poco frecuente del dispensador.	Si el dispensador de hielo se usa con poca frecuencia, con el tiempo los cubitos de hielo se pegan unos a otros, lo que impide que se dispensen correctamente. Compruebe el depósito de hielo en busca de cubitos agrupados o pegados entre sí. Si los hubiera, sepárelos para que el dispensador funcione correctamente.
	El conducto de dispensación está obstruido con escarcha o fragmentos de hielo.	Para eliminar la escarcha o los fragmentos de hielo, desmonte el depósito de hielo y libere el conducto con un utensilio de plástico. La dispensación de hielo en cubitos también ayuda a evitar la formación de escarcha y fragmentos de hielo.
	La pantalla del dispensador está bloqueada.	Mantenga presionado el botón Lock durante tres segundos para desbloquear el panel de control y el dispensador.
	El depósito de hielo está vacío.	Puede tomar hasta 24 horas para que cada compartimento alcance la temperatura deseada y para que la máquina de hielo comience a fabricar hielo. Asegúrese de que el corte (brazo/sensor) no esté obstruido.  Una vez que se haya ventilado el suministro de hielo en el depósito de hielo, puede tomar hasta 90 minutos para que esté disponible más hielo, y aproximadamente 24 horas para poder rellenar el depósito por completo.

HIELO Y AGUA

Problema	Causas posibles	Solutions
La máquina de hielo no hace hielo.	El refrigerador se instaló recientemente o la máquina de hielo se conectó recientemente.	Puede tomar hasta 24 horas para que cada compartimiento alcance la temperatura deseada y para que la máquina de hielo comience a fabricar hielo.
	La máquina de hielo no está encendida.	Localice el interruptor ON/OFF (encendido/apagado) de la máquina de hielo y confirme que está en la posición ON.
	El refrigerador no está conectado a un suministro de agua o la válvula de corte del suministro no está abierta.	Conecte el refrigerador al suministro de agua y abra completamente la válvula de corte de agua.
	Apagado de la máquina de hielo (brazo palpador) obstruido.	Si su máquina de hielo viene equipada con un brazo de corte de hielo, asegúrese de que el brazo se mueva libremente.
	Tiene conectado un sistema de filtración de agua de ósmosis inversa al suministro de agua fría.	Los sistemas de filtración de agua de ósmosis inversa pueden reducir la presión de agua por debajo del mínimo y provocar problemas en la máquina de hielo. (Consulte la sección Presión del agua).
No se dispensa agua.	Nueva instalación o conducto de agua recientemente conectado.	Dispense 9 litros de agua (deje correr el agua durante unos 5 minutos) para purgar el aire atrapado y los contaminantes del sistema. No dispense los 9 litros de agua de manera continua. Pulse y suelte el botón del dispensador en ciclos de 30 segundos ON (encendido) y 60 segundos OFF (apagado).
	El panel del dispensador está bloqueado.	Mantenga presionado el botón Lock durante tres segundos para desbloquear el panel de control y el dispensador.
	El dispensador no está ajustado para dispensar agua.	El dispensador se puede ajustar para que dispense hielo o agua. Compruebe que el panel de control está ajustado para el funcionamiento deseado. Presione el botón Water (agua) en el panel de control para dispensar agua.
	Las puertas del refrigerador o del congelador no están cerradas correctamente.	El agua no se dispensará si hay alguna puerta del refrigerador abierta.
	El filtro de agua se sacó o se cambió recientemente.	Después de reemplazar el filtro de agua, dispense 9 litros de agua (deje correr el agua durante unos 5 minutos) para purgar el aire atrapado y los contaminantes del sistema; No dispense los 9 litros de agua de manera continua. Pulse y suelte el botón del dispensador por ciclos de 30 segundos ON (encendido) y 60 segundos OFF (apagado).
	La tubería que conecta el refrigerador al suministro del hogar está retorcida.	La tubería se puede retorcer cuando el refrigerador se mueve durante la instalación o limpieza, lo que provoca un flujo de agua reducido. Enderece o repare el conducto de suministro del agua y arréglole a fin de prevenir futuras torceduras.
	El suministro de agua del hogar no está conectado, la válvula no está completamente encendida, o la válvula está obstruida.	Conecte el refrigerador al suministro de agua y abra completamente la válvula de corte de agua.  Si el problema persiste, puede ser necesario contactar a un plomero.

**HIELO Y AGUA**

Problema	Causas posibles	Solutions
El hielo huele o sabe mal.	El suministro de agua contiene minerales tales como el azufre.	Es posible que deba reemplazar el filtro de agua para eliminar los problemas de olor y sabor.  <b>NOTA:</b> En algunos casos, un filtro podría no ser de ayuda. Puede no resultar posible quitar todo mineral/ olor/sabor en todos los suministros de agua.
	La máquina de hielo se instaló hace poco tiempo.	Deseche las primeras tandas de hielo para evitar hielo manchado o con mal sabor.
	El hielo ha estado almacenado por demasiado tiempo.	El hielo almacenado por demasiado tiempo se achicará, se volverá turbio, y puede desarrollar un sabor rancio. Deseche el hielo antiguo y fabrique un nuevo suministro.
	Los alimentos no se han almacenado correctamente en los compartimentos.	Vuelva a envolver los alimentos. Vuelva a envolver los alimentos ya que, si no están correctamente envueltos, los olores podrían migrar hasta el hielo.
	El interior del refrigerador necesita una limpieza.	Consulte la sección Cuidado y limpieza para obtener más información.
	El depósito de hielo necesita una limpieza.	Vacíe y limpie el depósito (deseche los cubitos de hielo viejos). Asegúrese de que el depósito está completamente seco antes de reinstalarlo.
El agua del dispensador está caliente.	Refrigerator was recently installed.	Espere 24 horas tras la instalación a que el depósito de almacenamiento del agua se enfríe completamente.
	The water dispenser has been used recently and the storage tank was exhausted.	Dependiendo de su modelo específico, la capacidad de almacenamiento de agua será de aproximadamente 20 a 30 oz.
	Dispenser has not been used for several hours.	Si el dispensador no se utilizó por varias horas, el primer vaso dispensado puede no estar lo suficientemente frío. Deseche las primeras 10 onzas.
	Refrigerator is connected to the hot water supply.	Asegúrese de que el refrigerador está conectado a una tubería de agua fría.  <b>⚠ ADVERTENCIA:</b> Conectar el refrigerador a un conducto de agua caliente puede dañar la máquina de hielo.
El agua huele o sabe mal.	Water supply contains minerals such as sulfur.	Es posible que deba reemplazar el filtro de agua para eliminar los problemas de olor y sabor.
	Water filter has been exhausted.	Se recomienda reemplazar el filtro de agua: <ul style="list-style-type: none"> <li>• Aproximadamente cada 6 meses.</li> <li>• Cuando se encienda el indicador del filtro del agua.</li> <li>• Cuando disminuya el caudal del dispensador de agua.</li> <li>• Cuando los cubitos de hielo sean más pequeños de lo normal.</li> </ul>
	Refrigerator was recently installed.	Dispense 9 litros de agua (deje correr el agua durante unos 5 minutos) para purgar el aire atrapado y los contaminantes del sistema. No dispense los 9 litros de agua de manera continua. Pulse y suelte el botón del dispensador en ciclos de 30 segundos ON (encendido) y 60 segundos OFF (apagado).
La máquina de hielo hace demasiado hielo.	Apagado de la máquina de hielo (brazo palpador) obstruido.	Vacíe el recipiente de hielo. Si la máquina de hielo incorpora un brazo de apagado, asegúrese de que se mueva libremente. Vuelva a instalar el recipiente de hielo y espere 24 horas para comprobar su correcto funcionamiento.

**RUIDO**

Problema	Causas posibles	Solutions
Clics	El control de descongelación emitirá un "clic" al comenzar y al finalizar el ciclo de descongelación. El control del termostato (o control del refrigerador en algunos modelos) también emitirá un "clic" al iniciar o finalizar un ciclo.	Funcionamiento normal.
Traqueteo	Los ruidos de traqueteos pueden proceder del flujo del refrigerante, de la tubería de agua en la parte posterior de la unidad, o de artículos almacenados encima o alrededor del refrigerador.	Funcionamiento normal.
	El refrigerador no está sólidamente apoyado en el suelo.	El suelo es poco sólido o irregular, o es necesario ajustar los pies de nivelación. Consulte la sección Alineación de las puertas.
	El refrigerador con compresor lineal se sacudió mientras estaba funcionando.	Funcionamiento normal.
Ruido de aspas	El motor del ventilador del evaporador está moviendo el aire a través de los compartimentos del refrigerador y del congelador.	Funcionamiento normal.
	El ventilador del condensador está forzando el paso de aire a través del condensador.	Funcionamiento normal.
Borboteo	Refrigerante está fluyendo a través del sistema de enfriamiento.	Funcionamiento normal.
Crujido	Se produjo la contracción y expansión de las paredes internas debido a cambios en la temperatura.	Funcionamiento normal.
Crepitación	El agua cayendo en el calentador de descongelación durante un ciclo de descongelación.	Funcionamiento normal.
Vibración	Si el lateral o la parte posterior del refrigerador están en contacto con un mueble o una pared, algunas de las vibraciones normales pueden producir un sonido audible.	Para eliminar el ruido, asegúrese de que los laterales y la parte posterior no puedan vibrar contra las paredes o los muebles.
Goteo	El agua cayendo en la batea de drenaje durante el ciclo de descongelación.	Funcionamiento normal.
Sonido de pulsación o agudo	Su refrigerador está diseñado para funcionar de forma más eficiente para conservar los alimentos a la temperatura deseada. El compresor de alta eficiencia puede hacer que su nuevo refrigerador funcione durante más tiempo que su antiguo refrigerador, y aun así será más eficiente energéticamente que los modelos anteriores. Mientras el refrigerador está en funcionamiento, es normal escuchar un sonido de pulsación o agudo.	Funcionamiento normal.



COMPONENTES Y CARACTERÍSTICAS

Problema	Causas posibles	Solutions
Las puertas no se cierran completamente o quedan abiertas.	Hay paquetes de alimentos bloqueando la puerta que impiden que se cierre.	Reorganice los envases de alimentos para liberar la puerta y los estantes de la puerta.
	El depósito de hielo, la tapa del cajón para verduras, las bateas, los estantes, las bandejas de las puertas o las cestas no están en su sitio.	Coloque correctamente las bandejas, la tapa del cajón para verduras, las bateas, los estantes y las cestas. Consulte la sección Uso del refrigerador Uso del refrigerador.
	Las puertas se desmontaron durante la instalación del producto y no se volvieron a colocar correctamente.	Desmunte y vuelva a colocar las puertas siguiendo las instrucciones de la sección Desmontaje y sustitución de las manijas y puertas del refrigerador.
	La puerta no está correctamente nivelada.	Consulte el apartado Alineación de las puertas en la sección Instalación del refrigerador para nivelar el refrigerador.
Las puertas se abren con gran dificultad.	Las juntas están sucias o pegajosas.	Limpie las juntas y las superficies de contacto. Aplique una fina capa de cera para electrodomésticos o cera de cocina en las juntas después de limpiarlas.
	La puerta se acaba de cerrar.	Cuando abre la puerta, aire más caliente entra al refrigerador. Al enfriarse, crea el vacío. Si le cuesta abrir la puerta, espere un minuto para permitir que la presión del aire se equalice y, a continuación, compruebe si se abre con más facilidad.
El refrigerador se bambolea o parece inestable.	Las patas niveladoras no están correctamente ajustadas.	Consulte la sección Nivelación y alineación de las puertas.
	El piso no está nivelado.	Puede ser necesario agregar calibradores debajo de las patas o rodillos de nivelación o para completar el proceso de instalación.
Las luces no funcionan.	Falla de iluminación interior LED.	La lámpara del compartimiento del refrigerador es una iluminación interior mediante LED, por lo que el mantenimiento deberá ser realizado por un técnico cualificado. Consulte la sección Sustitución de la bombilla.
Le refrigerador tiene un olor inusual.	El filtro de aire puede necesitar ser ajustado a MAX (máximo) o ser reemplazado.	Ajuste el filtro de aire a MAX. Si no desaparece el olor dentro de las 24 horas, el filtro puede necesitar ser cambiado. Consulte la sección Sustitución del filtro de aire para obtener instrucciones acerca del reemplazo.
El interior del frigorífico está cubierto de polvo u hollín.	El frigorífico se encuentra cerca de un fuego, por ejemplo, una chimenea o similar.	Asegúrese de que el frigorífico no se encuentre cerca de un fuego, por ejemplo, una chimenea o similar.

## Kenmore Connect™ (En algunos modelos)

Si experimenta algún problema en el refrigerador, puede transmitir datos a través de su teléfono al equipo Kenmore Connect™. Esto le da la posibilidad de hablar directamente con nuestros especialistas cualificados. El especialista graba los datos transmitidos por su máquina y los utiliza para analizar el problema, suministrando un diagnóstico rápido y efectivo.

Si experimenta problemas con su refrigerador, llame en EE.UU. 1-844-553-6667 y llame en Canadá 1-800-469-4663. Utilice la función Kenmore Connect™ solo cuando así se lo indique el agente del equipo Kenmore Connect™. Los sonidos de transmisión que oír son normales y suenan como un fax.

Kenmore Connect™ no se puede activar si su refrigerador no está conectado a la alimentación eléctrica.

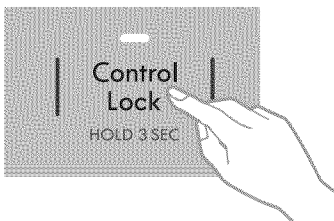
Si su refrigerador no se enciende, la localización y resolución de problemas debe hacerse sin utilizar Kenmore Connect™.

## Uso de Kenmore Connect™

En primer lugar, llame en 1-844-553-6667(EE.UU.). o 1-800-469-4663(Canadá). Si el número de teléfono que está usando ya está registrado y asociado con su refrigerador, podrá contactar rápidamente con un agente del equipo Kenmore Connect™.

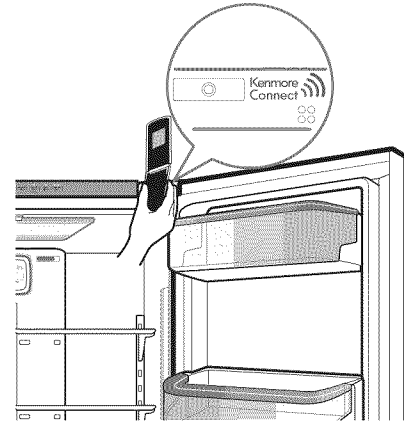
Utilice la función Kenmore Connect™ solo cuando así se lo indique el agente del equipo Kenmore Connect™.

1. Bloquee la pantalla. Para bloquear la pantalla, mantenga pulsado el botón de bloqueo Control Lock durante tres segundos (Si la pantalla está bloqueada, reactivéla)

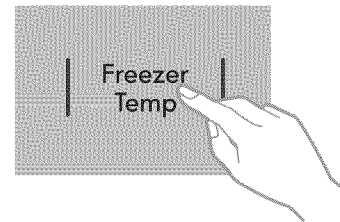


2. Abra la puerta derecha del refrigerador.

3. Sujete el auricular del teléfono delante del altavoz situado sobre la bisagra derecha de la puerta del refrigerador, cuando así se lo indique el centro de atención.



4. Mantenga pulsado el botón de temperatura del congelador Freezer Temp durante tres segundos con el teléfono junto al altavoz.



5. Tras oír tres pitidos, suelte el botón de temperatura del congelador Freezer Temp.
6. Mantenga el teléfono en posición hasta que finalice el tono de transmisión. La pantalla mostrará el tiempo transcurrido. Al finalizar la cuenta atrás y detenerse los tonos, reanude su conversación con el especialista, quien estará entonces en medida de asistirle utilizando la información transmitida para su análisis.

### NOTA:

- Para lograr los mejores resultados, no mueva el teléfono mientras se transmiten los tonos.
- Si el agente del servicio telefónico de atención al cliente no puede grabar los datos con precisión, se le pedirá volver a intentarlo.

# TABLE DES MATIÈRES

<b>Garantie</b> .....	93	<b>► Compartiment congélateur</b>	
<b>Contrats de protection</b> .....	94	Bac à glace supplémentaire.....	117
<b>Consignes de sécurité importantes</b> .....	95-97	Durabase.....	118
<b>Conditions électriques et de mise à la masse</b> .....	97	Diviseur du Durabase .....	118
<b>Pièces et fonctionnalités</b> .....	98	Tiroir coulissant.....	118
<b>Installation du réfrigérateur</b> .....	99-106	<b>Filtre à eau</b> .....	119-122
Déballage du réfrigérateur .....	99	<b>Entretien et nettoyage</b> .....	123-124
Installation.....	100	Conseils de nettoyage généraux .....	123
Retrait/remise en place des poignées et des portes du congélateur.....	101-105	Exterieur .....	123
Mise à niveau et alignement des portes ..	106	Parois intérieures .....	123
<b>Utilisation du réfrigérateur</b> .....	107-118	Contre-porte et joints .....	123
Réglage des contrôles.....	107-109	Pièces en plastique .....	123
Bac à glace dans la porte.....	110	Serpentins réfrigérants .....	123
Machine à glaçons automatique.....	111-112	Remplacement d'une ampoule d'éclairage.....	124
Guide de stockage des aliments .....	113	Coupures de courant .....	124
<b>► Section réfrigérateur</b>		Lorsque vous partez en vacances.....	124
Distributeur d'eau glacée .....	114	Lorsque vous déménagez.....	124
Étagères du réfrigérateur .....	115	<b>Connexion du tuyau d'eau</b> .....	125-127
Bac à légumes à humidité contrôlée .....	116	<b>Guide de dépannage</b> .....	128-135
Tiroir garde-manger à température contrôlée.....	116	<b>Kenmore Connect™</b> .....	136
Bac de porte .....	116	<b>Service</b> .....	Plat verso
Filtre d'air.....	117		



## GARANTIE DU RÉFRIGÉRATEUR

### GARANTIE LIMITÉE KENMORE PRO

AVEC UNE PREUVE D'ACHAT, la couverture de garantie suivante s'applique lorsque cet appareil est correctement installé, utilisé et entretenu conformément à toutes les instructions fournies.

PENDANT UN AN à compter de la date d'achat, cet appareil est garanti contre les défauts de fabrication ou de main-d'œuvre. Un appareil défectueux bénéficiera d'une réparation ou d'un remplacement gratuit au choix du vendeur. Cette couverture de garantie ne s'applique que pendant 90 jours à compter de la date d'achat aux États-Unis et est nulle au Canada si l'appareil est utilisé à une autre fin qu'un usage privé domestique.

PENDANT CINQ ANS à compter de la date d'achat, le système scellé de réfrigérant de cet appareil est garanti contre les défauts de fabrication ou de main-d'œuvre. Si une pièce du système se révèle défectueuse au cours de la première année, une nouvelle pièce sera fournie et installée sans frais. Si une pièce du système se révèle défectueuse après la première année, une nouvelle pièce sera fournie, mais l'installation sera facturée. Les frais de main-d'œuvre liés à l'installation des pièces sont à votre charge après la première année suivant la date d'achat. Cette couverture de garantie ne s'applique que pendant un an à compter de la date d'achat aux États-Unis et est nulle au Canada si l'appareil est utilisé à une autre fin qu'un usage privé domestique.

PENDANT DIX ANS à compter de la date d'achat, le compresseur linéaire de cet appareil est garanti contre les défauts de fabrication ou de main-d'œuvre. Si le compresseur se révèle défectueux au cours de la première année, un nouveau compresseur sera fourni et installé sans frais. Si le compresseur se révèle défectueux après la première année, un nouveau compresseur sera fourni, mais l'installation sera facturée. Les frais de main-d'œuvre liés à l'installation des pièces sont à votre charge après la première année suivant la date d'achat. Cette couverture de garantie ne s'applique que pendant deux ans à compter de la date d'achat aux États-Unis et est nulle au Canada si l'appareil est utilisé à une autre fin qu'un usage privé domestique.

Pour connaître les détails sur la couverture de la garantie afin d'obtenir une réparation ou un remplacement gratuit, rendez-vous sur la page [www.kenmore.com/warranty](http://www.kenmore.com/warranty).

**Cette garantie couvre UNIQUEMENT les défauts de fabrication et de main-d'œuvre et ne COUVRE PAS les éléments suivants :**

1. Les articles consommables qui peuvent s'user avec une utilisation normale, notamment mais sans s'y limiter, les filtres, courroies, sacs ou ampoules à visser.
2. L'intervention d'un technicien pour nettoyer ou entretenir cet appareil ou pour montrer à l'utilisateur l'installation, le fonctionnement et l'entretien appropriés de l'appareil.
3. Les demandes pour corriger l'installation si elle n'a pas été effectuée par des agents agréés de Sears ou pour réparer des problèmes liés aux fusibles, disjoncteurs, câblage, plomberie ou système d'alimentation en gaz résultant d'une telle installation non conforme.
4. Les dommages ou défaillances de cet appareil résultant d'une installation qui n'a pas été effectuée par des agents agréés de Sears, y compris une installation non conforme aux normes sur l'électricité, le gaz ou la plomberie.
5. Les dommages ou défaillances de cet appareil, y compris la décoloration ou la rouille de surface, si l'appareil n'est pas correctement utilisé et entretenu conformément à toutes les instructions fournies.
6. Les dommages ou défaillances de cet appareil, y compris la décoloration ou la rouille de surface, résultant d'un accident, altération, abus, utilisation inappropriée ou utilisation à d'autres fins que celle prévue.
7. Les dommages ou défaillances de cet appareil, y compris la décoloration ou la rouille de surface, causés par l'utilisation de détergents, produits nettoyants, produits chimiques ou ustensiles autres que ceux recommandés dans toutes les instructions fournies.
8. Les dommages ou défaillances de pièces ou systèmes résultant de modifications non autorisées apportées à cet appareil.
9. L'entretien de l'appareil si la plaque d'identification du modèle et du numéro de série est manquante, altérée ou ne permet pas de déterminer le logo de certification approprié.

#### Déni de garanties implicites ; limitation des recours

Le recours unique et exclusif du client couvert par cette garantie limitée sera la réparation ou le remplacement de l'appareil comme stipulé par les présentes. Les garanties implicites, notamment de qualité marchande ou d'adéquation à des fins particulières, sont limitées à un an sur l'appareil, cinq ans sur le système scellé et dix ans sur le compresseur linéaire, ou bien à la période la plus courte permise par la loi. Le vendeur ne pourra pas être tenu responsable des dommages accessoires ou immatériels. Certains États et provinces n'autorisent pas l'exclusion ou la limitation des dommages accessoires ou immatériels, ou la limitation de la durée des garanties implicites de qualité marchande ou d'adéquation à des fins particulières ; par conséquent, il est possible que ces limitations ou exclusions ne s'appliquent pas à vous.

Cette garantie s'applique uniquement à une utilisation de cet appareil aux États-Unis ou au Canada\*.

Cette garantie vous donne des droits juridiques spécifiques, mais vous pouvez également avoir d'autres droits variant d'un État à l'autre.

\* Le service de réparation à domicile n'est pas disponible partout au Canada et la présente garantie ne couvre pas les frais de transport ou de déplacement de l'utilisateur ou du réparateur si cet appareil se trouve dans un endroit reculé (tel que défini par Sears Canada Inc.) où aucun réparateur agréé n'est disponible.

Sears Brands Management Corporation, Hoffman Estates, IL 60179  
Sears Canada Inc., Toronto, Ontario, M5B 2C3, Canada

# CONTRATS DE PROTECTION

## Contrats de protection étendue

Nous vous remercions d'avoir choisi notre produit. Votre nouveau produit Kenmore Pro® est conçu et fabriqué pour garantir des années de fiabilité. Mais comme tous les produits, il peut nécessiter à l'occasion un entretien préventif ou une réparation. C'est pourquoi un contrat de protection étendue peut vous permettre d'économiser de l'argent et d'éviter toute aggravation.

Le contrat de protection étendue contribue également à prolonger la durée de vie de votre nouveau produit. Le contrat\* inclut notamment :

- **Les pièces et la main-d'œuvre** requis pour garantir le bon fonctionnement des produits **dans le cadre d'une utilisation normale**, et non simplement les défauts. Notre couverture **va bien au-delà de la garantie du produit**. Aucune défaillance fonctionnelle n'est exclue de cette couverture — **protection réelle**.
- **Services d'experts** par plus de **10 000 techniciens d'entretien agréés Sears**, ce qui signifie que vous pouvez être certain qu'une personne qualifiée interviendra sur votre produit.
- **Appels d'intervention illimités et service à l'échelle du pays**, aussi souvent que vous le souhaitez, où que vous vous trouviez.
- **Garantie « anti-citron »** – remplacement du produit couvert si quatre défaillances se produisent en moins de douze mois.
- **Remplacement du produit** si le produit couvert ne peut pas être réparé.
- **Contrôle de maintenance préventive annuel** à votre demande, sans frais supplémentaires.
- **Aide rapide au téléphone** – nous l'appelons **Résolution rapide** – assistance téléphonique d'un agent Sears pour tous les produits. Ce sera votre « manuel de l'utilisateur parlant ».

- **Protection contre les surtensions** contre les dommages électriques dus à des fluctuations de tension.
- **Protection contre les pertes de nourriture de 250 \$** annuellement pour toute détérioration de nourriture résultant d'une panne mécanique d'un réfrigérateur ou congélateur couvert.
- **Remboursement de location** si la réparation du produit couvert est plus longue que promise.
- **25 % de remise** sur le prix normal d'un service de réparation non couvert et des pièces installées associées.

Une fois le contrat acheté, un simple appel téléphonique suffit pour programmer une intervention. Vous pouvez appeler à toute heure du jour et de la nuit, ou programmer un rendez-vous d'entretien en ligne.

Le contrat de protection étendue est un achat sans risque. Si vous l'annulez pour une raison quelconque au cours de la période de garantie du produit, nous effectuerons un remboursement complet ou un remboursement au prorata à tout moment après l'expiration de la période de garantie. Achetez dès aujourd'hui votre contrat de protection étendue!

**Certaines restrictions et exclusions s'appliquent.**

**Pour les prix et des informations supplémentaires aux États-Unis composez le 1-800-827-6655.**

**\* La couverture au Canada varie sur certains articles. Pour plus de détails, appelez Sears Canada au 1-800-361-6665.**

### Service d'installation Sears

Pour une installation professionnelle Sears d'appareils électroménagers, ouvertures de porte de garage, chauffe-eau, et autres articles domestiques majeurs, au aux **État-Unis, composez le 1-844-553-6667. and au Canada, composez le 1-800-469-4663.**

## ENREGISTREMENT DU PRODUIT

Dans l'espace ci-dessous, notez la date d'achat, le modèle et le numéro de série du produit. Le modèle et le numéro de série sont indiqués sur une étiquette d'identification située à l'intérieur du compartiment réfrigérateur. Ayez ces informations sous la main lorsque vous contactez Sears au sujet de votre produit.

Numéro de modèle \_\_\_\_\_

Date d'achat \_\_\_\_\_

Numéro de série. \_\_\_\_\_

Conservez ces instructions et agrafez votre preuve d'achat pour une référence ultérieure.

# CONSIGNES DE SÉCURITÉ IMPORTANTES

## PRÉCAUTIONS DE SÉCURITÉ DE BASE

Ce guide contient des consignes de sécurité importantes. **Lisez et observez** toujours toutes les consignes de sécurité.



Voici le symbole d'alerte de sécurité. Il signale les messages de sécurité qui vous informent des dangers de mort ou de blessures, ou des risques de dommages du produit.

Tous les messages de sécurité seront précédés du symbole d'alerte de sécurité et des mots DANGER, AVERTISSEMENT ou ATTENTION. Ces mots signifient :

**! DANGER**

Vous **serez** tué ou gravement blessé si vous ne suivez pas les instructions.

**! AVERTISSEMENT**

Vous **pouvez** être tué ou gravement blessé si vous ne suivez pas les instructions.

**! ATTENTION**

Indique une situation de danger imminent qui, si elle n'est pas évitée, **pourrait** provoquer une blessure mineure ou modérée, ou endommager le produit.

Tous les messages de sécurité identifient le danger, indiquent comment réduire les risques de blessures, et précisent ce qui pourrait se produire si les instructions ne sont pas suivies.

## **! AVERTISSEMENT**

**Pour réduire les risques d'incendie, d'électrocution ou de blessure lors de l'utilisation du produit, les consignes de sécurité de base doivent être suivies, notamment les consignes suivantes.**

**Lisez toutes les instructions avant d'utiliser cet appareil.**

- Ne débranchez JAMAIS le réfrigérateur en tirant sur le cordon d'alimentation. Saisissez toujours fermement la fiche de branchement et tirez sur celle-ci pour la débrancher de la prise.
- Si le cordon d'alimentation est abîmé, il doit être remplacé par le fabricant, par son service après-vente ou par une personne également qualifiée afin d'éviter tout danger. N'utilisez pas un cordon présentant des craquelures ou des dommages d'abrasion sur toute sa longueur ou au niveau de la fiche ou des connecteurs.
- Ne modifiez pas le cordon d'alimentation et ne le prolongez jamais. Une telle intervention pourrait provoquer une électrocution ou créer des risques d'incendie.
- Lorsque vous devez écarter le réfrigérateur du mur, veillez à ne pas endommager le cordon d'alimentation.

- Ne JAMAIS entreposer ni utiliser d'essence ou autres vapeurs et liquides inflammables à proximité de cet appareil ou de tout autre appareil.
- NE laissez PAS les enfants grimper sur le réfrigérateur ou se pendre aux portes ou aux étagères du réfrigérateur. Ils pourraient endommager le réfrigérateur et se blesser gravement.
- N'approchez jamais les doigts des zones de pincement; les dégagements entre les portes et les armoires sont nécessairement petits. Soyez prudent lors de la fermeture de portes lorsque des enfants se trouvent à proximité.
- Débranchez le réfrigérateur avant de le nettoyer ou d'y apporter des réparations.

**REMARQUE :** Il est fortement recommandé de confier tout entretien à un technicien qualifié.

## CONSERVEZ CES INSTRUCTIONS

## ⚠ AVERTISSEMENT

- Avant de remplacer une ampoule d'éclairage grillée ou cassée, débranchez le réfrigérateur ou coupez l'alimentation électrique au niveau du disjoncteur ou de la boîte de fusibles pour éviter tout contact avec un fil sous tension. (Une ampoule d'éclairage grillée peut éclater lors de son remplacement exposant alors le filament.)

**REMARQUE :** Certains modèles sont dotés d'un éclairage intérieur LED dont l'entretien doit être confié à un technicien qualifié.

**AVERTISSEMENT :** La mise du contrôle sur ARRÊT ne coupe pas l'alimentation du circuit d'éclairage.

- Une fois l'intervention terminée, reconnectez le réfrigérateur à la source électrique et remettez les contrôles (thermostat, contrôle de réfrigérateur ou contrôle de congélateur, selon le modèle) au réglage souhaité.
- Ce réfrigérateur doit être installé conformément aux Instructions à l'intention de l'installateur apposées à l'avant du réfrigérateur.
- Une fois le réfrigérateur mis en marche, ne touchez pas les surfaces froides du compartiment de congélation lorsque vous avez les mains humides ou trempées. La peau pourrait adhérer aux surfaces extrêmement froides.

- NE TOUCHEZ PAS le mécanisme de la machine à glaçons automatique pendant que le réfrigérateur est branché.
- Ne recongelez PAS des aliments ayant complètement décongelé. Le département d'agriculture des États-Unis dans sa publication Home and Garden Bulletin No. 69 précise :

...Vous pouvez recongeler en toute sécurité des aliments ayant décongelé s'ils contiennent toujours des cristaux de glace ou s'ils sont toujours froids, sous 4°C.

...Les viandes hachées, les volailles ou le poisson présentant des odeurs ou étant décolorés ne doivent être ni recongelés ni consommés. La crème glacée décongelée doit être jetée. Si l'odeur ou la couleur d'un aliment semble suspecte, jetez l'aliment. La consommation de l'aliment pourrait être dangereuse.

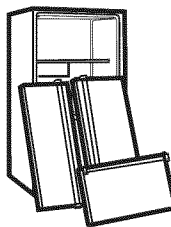
Même une décongélation et une recongélation partielles réduit la qualité sanitaire des aliments, particulièrement pour les fruits, les légumes et les aliments préparés. La qualité sanitaire des viandes rouges est moins exposée que celle des autres aliments. Utilisez les aliments recongelés le plus tôt possible afin de préserver leur qualité au maximum.

**⚠ AVERTISSEMENT :** Ce produit contient des produits chimiques pouvant, d'après l'État de Californie, causer le cancer ou des malformations congénitales ou autres troubles de la reproduction. *Lavez-vous les mains après usage.*

## CONSERVEZ CES INSTRUCTIONS

## ⚠ DANGER : RISQUE DE PIÉGEAGE DES ENFANTS

Les réfrigérateurs abandonnés sont dangereux, même s'ils sont laissés sans surveillance seulement quelques jours. Si vous souhaitez vous débarrasser de votre ancien réfrigérateur, veuillez suivre les instructions à droite pour éviter les accidents (piégeage et suffocation des enfants).



### AVANT DE JETER VOTRE ANCIEN RÉFRIGÉRATEUR OU CONGÉLATEUR :

- Retirez les portes.
- Laissez les étagères en place afin que les enfants ne puissent pas grimper facilement à l'intérieur.

## ÉLIMINATION DES CFC

Votre ancien réfrigérateur peut comporter un système de refroidissement qui utilisait des CFC (chlorofluorocarbures). Les scientifiques estiment que les CFC endommagent l'ozone stratosphérique.

Si vous mettez au rebut votre ancien réfrigérateur, assurez-vous que le réfrigérant CFC est retiré en vue d'une élimination appropriée par un technicien qualifié. Si vous libérez intentionnellement ce réfrigérant CFC, vous pourriez écoper d'une amende et d'une peine d'emprisonnement conformément aux dispositions de la législation environnementale.

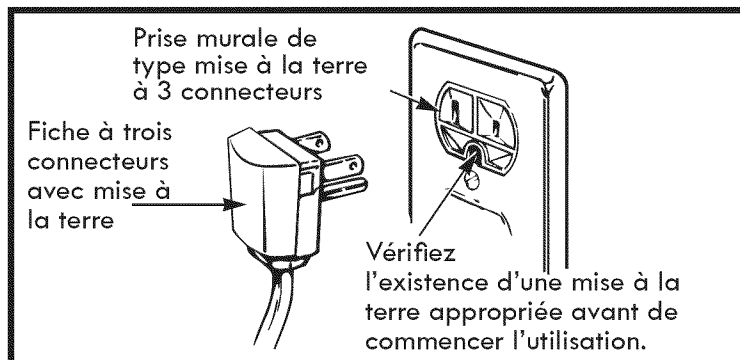
## CONDITIONS ÉLECTRIQUES ET DE MISE À LA MASSE

### IMPORTANT : Veuillez lire attentivement. POUR EFFECTUER LES BRANCHEMENTS ÉLECTRIQUES

#### **⚠ AVERTISSEMENT**

##### Risque d'électrocution

**POUR GARANTIR LA SÉCURITÉ**, cet appareil doit être correctement mis à la terre. Faites vérifier la prise murale et le circuit par un électricien qualifié pour vous assurer que la prise est correctement mise à la terre.



### MÉTHODE DE MISE À LA TERRE RECOMMANDÉE

Le réfrigérateur doit toujours être branché sur sa propre prise secteur correctement mise à la terre avec des valeurs nominales de 115 volts, 60 Hz, protégée par un fusible de 15 ou 20 ampères. Cela garantit les meilleures performances et évite également une surcharge des circuits domestiques qui pourrait créer un risque d'incendie par surchauffe des fils. Il est recommandé d'utiliser un circuit séparé pour alimenter cet appareil.

Utilisez une prise ne pouvant pas être mise hors tension par un interrupteur. N'utilisez pas de rallonge.

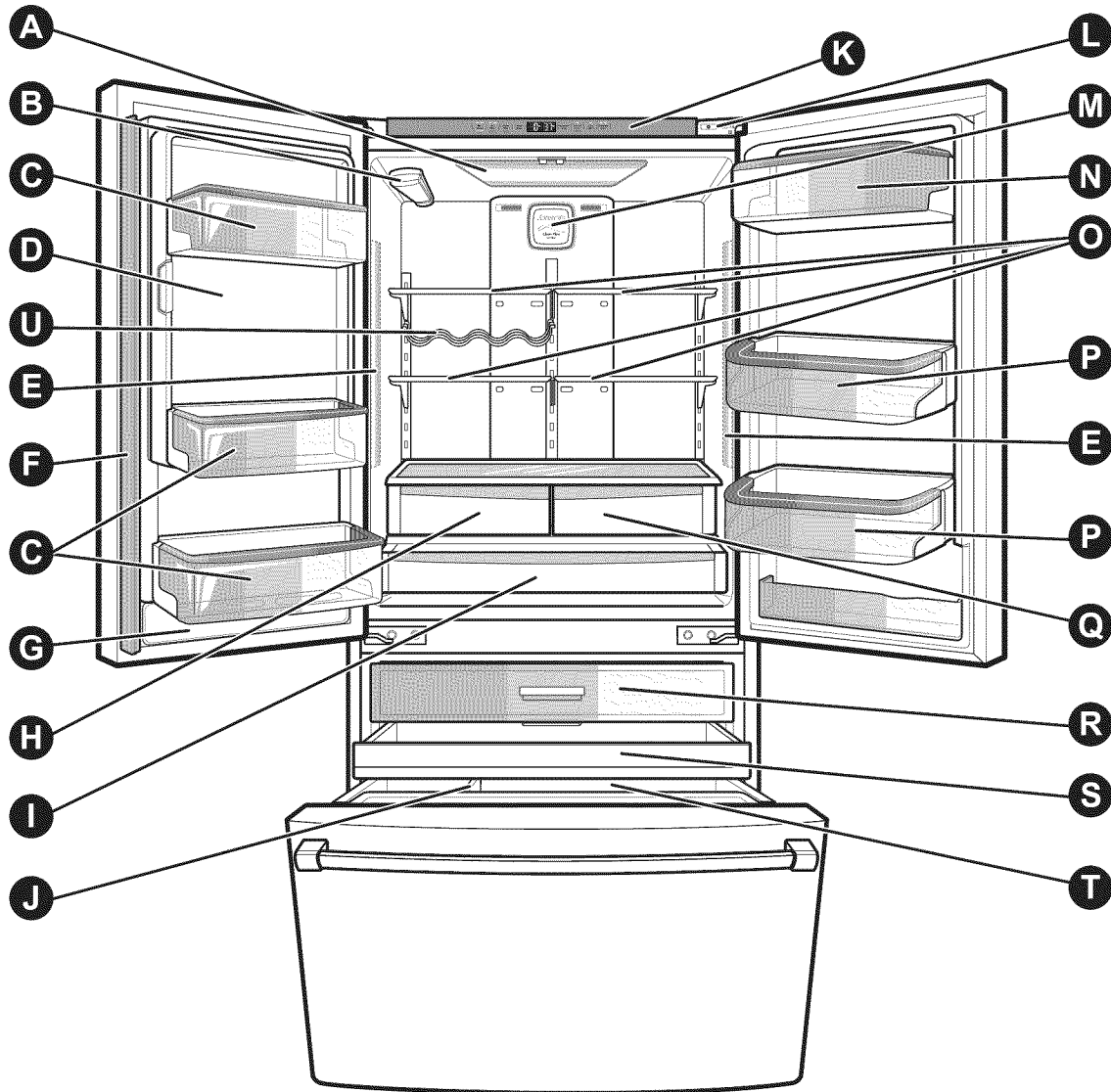
En présence d'une prise à deux connecteurs, vous avez la responsabilité et l'obligation de la remplacer par une prise à 3 connecteurs correctement mise à la terre.

### UTILISATION DE RALLONGES

En raison de risques en matière de sécurité dans certaines conditions, l'utilisation d'une rallonge n'est pas recommandée. Cependant, si vous choisissez quand même d'utiliser une rallonge, il est absolument nécessaire d'utiliser une rallonge UL (États-Unis) à 3 conducteurs avec broche de mise à la terre, dont les caractéristiques nominales sont de 15 ampères (minimum) et 120 volts.

L'utilisation d'une rallonge augmente le dégagement requis à l'arrière du réfrigérateur.

# PIÈCES ET FONCTIONNALITÉS

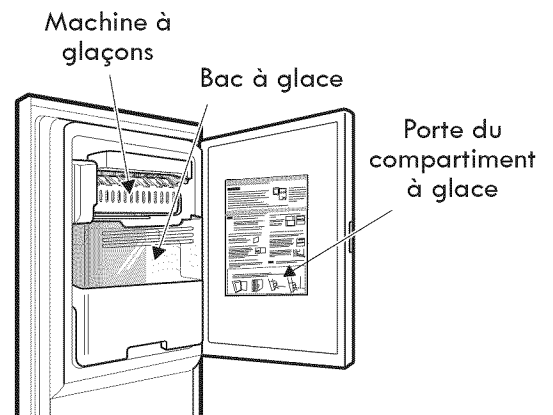


Utilisez cette page pour vous familiariser avec les pièces et les fonctionnalités du réfrigérateur. Des renvois aux pages sont inclus pour simplifier la consultation.

**REMARQUE :** Ce guide couvre plusieurs modèles. Le réfrigérateur que vous avez acheté peut comporter tous les éléments répertoriés ci-dessous ou seulement une partie. Les emplacements des divers éléments indiqués ci-dessus peuvent ne pas correspondre à votre modèle.

- A** Éclairage du réfrigérateur
- B** Filtre à eau (intérieur)
- C** Bacs de porte fixes
- D** Emplacement à glace (Machine à glaçons et bac à glaçons)
- E** Éclairage du réfrigérateur
- F** Meneau articulé
- G** Couvercle du réservoir d'eau
- H** Bac à légumes à humidité contrôlée
- I** Tiroir garde-manger à température contrôlée
- J** Diviseur de durabase

- K** Panneau de commande
- L** Kenmore Connect™
- M** Filtre d'air
- N** Bac à produits laitiers réglable
- O** Étagères du réfrigérateur
- P** Bacs de porte ajustables
- Q** Air tiroir serrés
- R** Tiroir coulissant
- S** Tiroir coulissant
- T** Durabase
- U** Casier à vin



# INSTALLATION DU RÉFRIGÉRATEUR

## **AVERTISSEMENT**

### **Risques liés au poids excessif :**

Faites appel à au moins deux personnes pour déplacer et installer le réfrigérateur. Sinon, il y a risque de blessures au dos ou d'autres blessures.

## **AVERTISSEMENT**

### **Risques liés au poids excessif :**

Le réfrigérateur est lourd. Lors du déplacement du réfrigérateur à des fins de nettoyage ou d'entretien, veillez à protéger le sol. Tirez toujours le réfrigérateur en le maintenant bien droit à la verticale lorsque vous le déplacez. Évitez de déplacer le réfrigérateur par basculements successifs, vous risquez d'endommager le sol.

## **DÉBALLAGE DU RÉFRIGÉRATEUR**

Retirez les bandes adhésives et les étiquettes temporaires du réfrigérateur avant de l'utiliser. Ne retirez pas les étiquettes d'avertissement, l'étiquette de numéro de modèle et de numéro de série, ou la fiche signalétique qui se trouve sous la partie avant du réfrigérateur derrière la grille de base.

Pour retirer une bande adhésive ou de la colle résiduelle, frottez la zone concernée avec votre pouce. Les résidus de bande adhésive ou de colle peuvent être facilement retirés en les frottant avec vos doigts et une petite quantité de liquide vaisselle. Essuyez avec de l'eau chaude et séchez.

N'utilisez pas d'instruments pointus, d'alcool à friction, de liquides inflammables ou de nettoyants abrasifs pour retirer des résidus de bande adhésive ou de colle. Ces produits peuvent endommager la surface du réfrigérateur.

Les étagères du réfrigérateur sont installées en position d'expédition. Veuillez réinstaller les étagères en fonction de vos besoins de stockage.

## **AVERTISSEMENT**

### **Risque d'explosion :**

Maintenir les vapeurs et produits inflammables, comme l'essence, loin du réfrigérateur. Sinon, vous risquez de provoquer un incendie, une explosion ou des blessures mortelles.

## AVANT L'UTILISATION

1. Nettoyez complètement le réfrigérateur et essuyez la poussière accumulée pendant l'expédition.
2. Installez les accessoires tels que le bac à glaçons, les tiroirs, les étagères, etc., à leurs positions appropriées. Ces éléments sont emballés ensemble pour éviter d'éventuels dommages pendant l'expédition.
3. Laissez le réfrigérateur fonctionner pendant au moins deux à trois heures avant d'y placer des aliments. Contrôlez la circulation d'air froid dans le compartiment du congélateur pour vérifier un refroidissement approprié. Le réfrigérateur est maintenant prêt à être utilisé.

## INSTALLATION

Le réfrigérateur doit toujours être branché sur sa propre prise secteur correctement mise à la terre avec des valeurs nominales de 115 volts, 60 Hz, protégée par un fusible de 15 ou 20 ampères. Cela garantit les meilleures performances et évite également une surcharge des circuits domestiques qui pourrait créer un risque d'incendie par surchauffe des fils. Il est recommandé d'utiliser un circuit séparé pour alimenter cet appareil.

### **! AVERTISSEMENT**

#### **Risque d'électrocution :**

Pour réduire le risque d'électrocution, n'installez pas le réfrigérateur dans une zone humide ou trempée.

## INSTALLATION (suite)

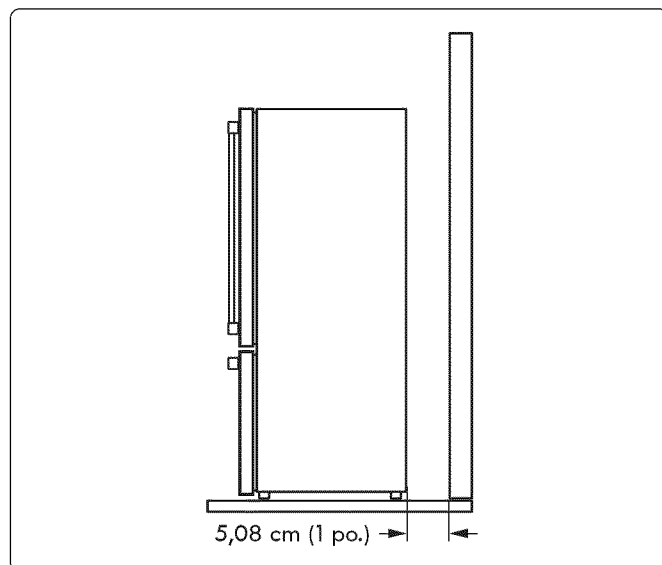
1. Pour éviter bruit et vibration, l'appareil doit être mis à niveau et installé sur un plancher solidement construit. Si nécessaire, ajustez les cales de réglage pour compenser tout défaut de planéité du sol. L'avant doit être légèrement plus haut que l'arrière pour favoriser la fermeture de la porte. Les cales de réglage peuvent être tournées facilement en faisant basculer légèrement l'armoire. Tournez les cales de réglage dans le sens des aiguilles d'une montre pour relever l'unité ou dans le sens inverse des aiguilles d'une montre pour l'abaisser. (Voir **MISE À NIVEAU ET ALIGNEMENT DES PORTES.**)

**REMARQUE :** L'installation sur de la moquette, des surfaces carrelées molles, sur une plateforme ou sur une structure mal supportée n'est pas recommandée.

2. Installez cet appareil dans une zone où la température est comprise entre 55°F (13°C) et 110°F (43°C). Si la température autour de l'appareil est trop basse ou trop élevée, la capacité de refroidissement peut être compromise.
3. Choisissez un emplacement où un approvisionnement d'eau peut être facilement raccordé pour la machine à glaçons automatique.

**REMARQUE :** La pression d'eau doit être comprise entre 1,38 et 8,27 bars. Si le réfrigérateur est installé à un endroit où la pression d'eau est faible (inférieure à 1,38 bar, soit 20 psi), vous pouvez installer une pompe d'appoint pour compenser cette pression faible.

4. Une distance trop courte des éléments adjacents peut diminuer la capacité de congélation et peut augmenter les coûts de la consommation d'électricité. Laisser au moins une distance de 24 pouces (61 cm.) devant le réfrigérateur pour pouvoir ouvrir les portes, et au moins 2 pouces (5,08 cm.) entre la face arrière du réfrigérateur et le mur.



**REMARQUE :** Le retrait des portes est toujours recommandé lorsqu'il faut faire passer le réfrigérateur par une ouverture étroite. S'il faut retirer les poignées, procédez comme suit.

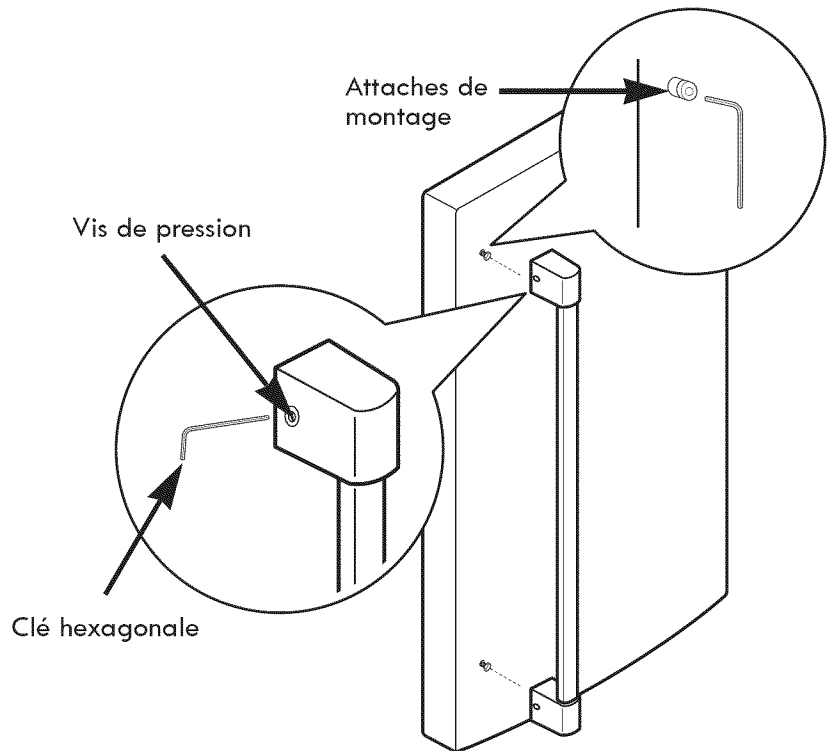
## COMMENT RETIRER LA POIGNÉE DE LA PORTE DU RÉFRIGÉRATEUR

**REMARQUE :** L'aspect de la poignée peut être différent de celui des illustrations sur cette page.

### Retrait de la poignée du réfrigérateur

Desserrez les vis pression avec une clé hexagonale de  $\frac{3}{32}$  po. (2,5 mm) et retirez la poignée.

**REMARQUE :** Si les attaches de montage de la poignée doivent être serrées ou retirées, utilisez une clé hexagonale de  $\frac{1}{4}$  po. (6,4 mm).



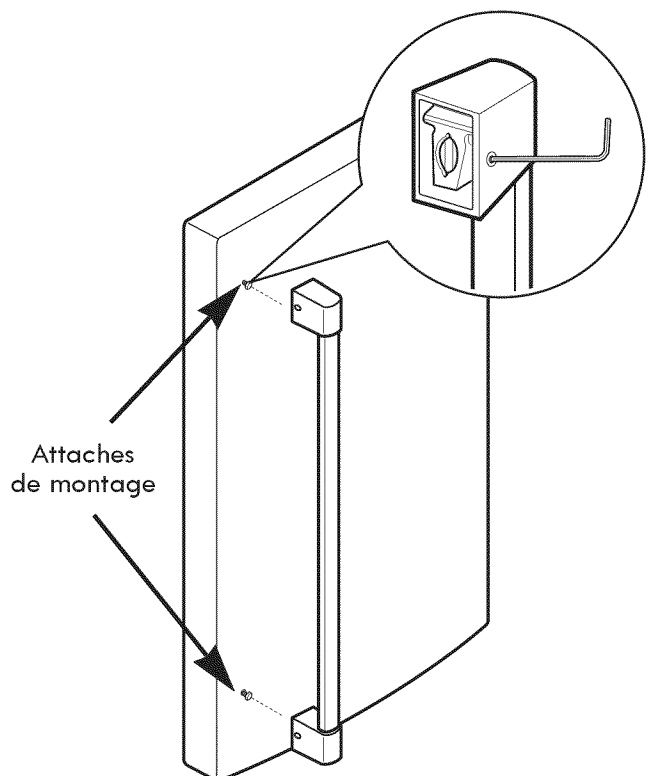
## COMMENT REMETTRE EN PLACE LA POIGNÉE DE LA PORTE DU RÉFRIGÉRATEUR

**REMARQUE :** L'aspect de la poignée peut être différent de celui des illustrations sur cette page.

### Remise en place de la poignée de porte du réfrigérateur

Placez la poignée sur la porte en ajustant l'empreinte de la poignée sur les attaches de montage et en serrant les vis de pression avec une clé hexagonale de  $\frac{3}{32}$  po. (2,5 cm).

**REMARQUE :** Si les attaches de montage de la poignée doivent être serrées ou retirées, utilisez une clé hexagonale de  $\frac{1}{4}$  po. (6,4 mm).



**REMARQUE :** Le retrait des portes est toujours recommandé lorsqu'il faut faire passer le réfrigérateur par une ouverture étroite. S'il faut retirer les poignées, procédez comme suit.

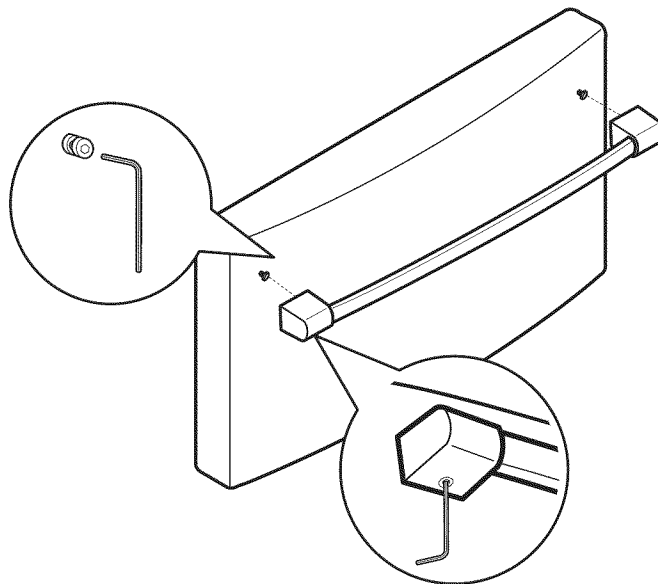
### COMMENT RETIRER LA POIGNÉE DE LA PORTE DU CONGÉLATEUR

**REMARQUE :** L'aspect de la poignée peut être différent de celui des illustrations sur cette page.

#### Retrait de la porte du tiroir du congélateur

Desserrez les vis pression situées du côté inférieur de la poignée avec une clé hexagonale de  $\frac{1}{8}$  po. (3,1 mm) et retirez la poignée.

**REMARQUE :** Si les attaches de montage de la poignée doivent être serrées ou retirées, utilisez une clé hexagonale de  $\frac{1}{4}$  po. (6,4 mm).



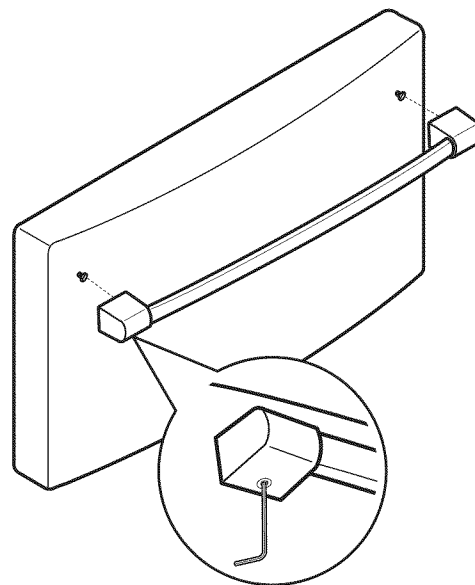
### COMMENT REMETTRE EN PLACE LA POIGNÉE DE LA PORTE DU CONGÉLATEUR

**REMARQUE :** L'aspect de la poignée peut être différent de celui des illustrations sur cette page.

#### Remise en place de la poignée du tiroir du congélateur

Placez la poignée sur la porte en ajustant l'empreinte de la poignée sur les attaches de montage et en serrant les vis de pression avec une clé hexagonale de  $\frac{1}{8}$  po. (3,1 mm).

**REMARQUE :** Si les attaches de montage de la poignée doivent être serrées ou retirées, utilisez une clé hexagonale de  $\frac{1}{4}$  po. (6,4 mm).



## ⚠ AVERTISSEMENT

Lors de la mise en place ou du retrait des poignées

- Saisissez fermement la poignée pour qu'elle ne tombe pas et ne provoque pas de blessures.
- Empêchez la poignée de basculer vers des personnes ou des animaux.
- Alignez exactement les trous de la plaque de la poignée sur l'axe de butée de la porte, puis vissez les vis pour fixer la poignée.
- Assurez-vous qu'il n'y a pas d'interstice entre la porte et la poignée une fois cette dernière en place.

## RETRAIT ET REMISE EN PLACE DES PORTES DU RÉFRIGÉRATEUR

### ⚠️ AVERTISSEMENT

#### Risques liés au poids excessif :

Faites appel à au moins deux personnes pour retirer et installer le réfrigérateur. Sinon, il y a risque de blessures au dos ou d'autres blessures.

### ⚠️ AVERTISSEMENT

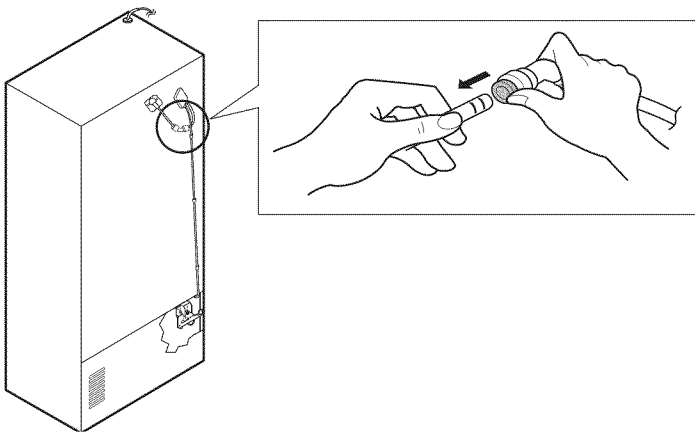
#### Risque d'électrocution

- Déconnectez l'alimentation électrique du réfrigérateur avant de procéder à l'installation. Sinon, vous risquez de vous blesser ou de subir une issue fatale.
- Ne placez pas les mains, les pieds ou autres objets dans les ouvertures d'aération, la grille de base ou le bas du réfrigérateur. Vous pourriez vous blesser ou être électrocuté.

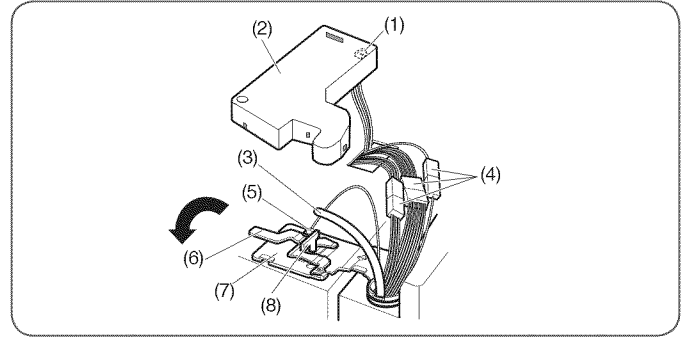
**REMARQUE :** Soyez prudent lorsque vous travaillez sur la charnière et la grille de base. Vous pourriez vous blesser.

#### Pour retirer la porte de gauche du réfrigérateur :

À l'arrière du réfrigérateur, tirez le tube d'eau hors du raccord de la pince de serrage en appuyant sur l'anneau de pincement du raccord (voir la figure ci-dessous).



**⚠️ ATTENTION :** Avant de commencer, retirez des portes les aliments et les bacs.

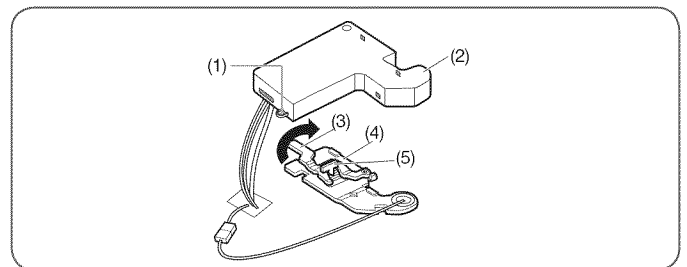


1. Ouvrez la porte. Retirez la vis du couvercle de la charnière supérieure (1).
2. Utilisez un tournevis à lame plate pour soulever vers l'arrière les crochets (non illustrés) à l'avant sous le couvercle (2). Soulevez le couvercle.
3. Retirez le couvercle. Tirez le tube pour l'extraire (3).
4. Débranchez tous les faisceaux de fils (4).
5. Retirez la vis de mise à la terre (5).
6. Faites pivoter le levier de la charnière (6) dans le sens inverse des aiguilles d'une montre. Soulevez la charnière supérieure (7) pour la libérer du levier de fermeture de la charnière (8).

**⚠️ ATTENTION :** Lors du soulèvement de la charnière du levier de fermeture, veillez à ce que la porte ne tombe pas en avant.

7. Soulevez la porte de la tige d'articulation du milieu et retirez la porte.
8. Placez la porte, face intérieure vers le haut, sur une surface non griffante.

#### Pour retirer la porte droite du réfrigérateur :



1. Ouvrez la porte. Retirez la vis du couvercle de la charnière supérieure (1). Soulevez le couvercle (2).
2. Retirez le couvercle.
3. Faites pivoter le levier de la charnière (3) dans le sens des aiguilles d'une montre. Soulevez la charnière supérieure (4) pour la libérer du levier de fermeture de la charnière (5).

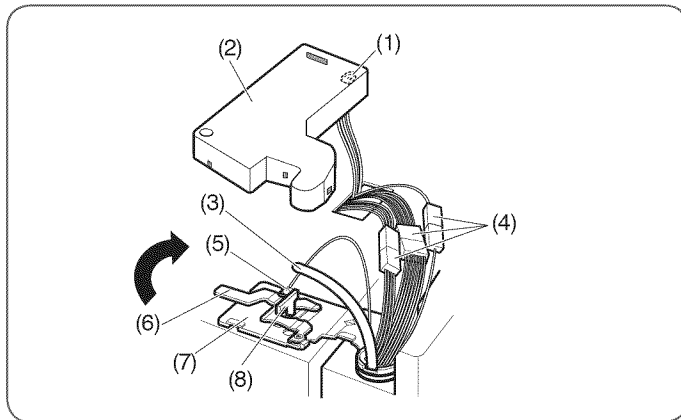
**⚠️ ATTENTION :** Lors du soulèvement de la charnière du levier de fermeture, veillez à ce que la porte ne tombe pas en avant.

4. Soulevez la porte de la tige d'articulation du milieu et retirez la porte.
5. Placez la porte, face intérieure vers le haut, sur une surface non griffante.

## Réinstallation de la porte du réfrigérateur

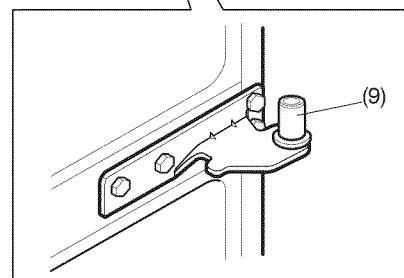
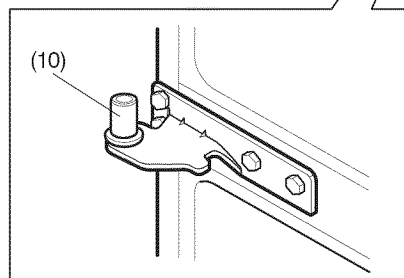
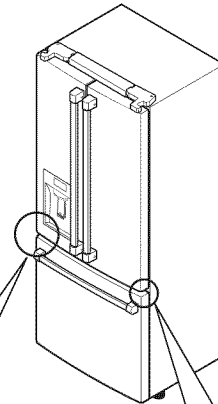
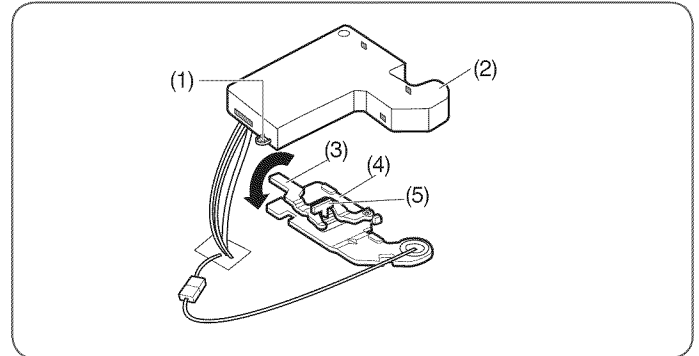
### ► Porte gauche

1. Posez la porte sur la tige d'articulation du milieu (10).
2. Placez la charnière supérieure (7) sur le levier de fermeture de la charnière (8) et en position. Faites pivoter le levier (6) dans le sens des aiguilles d'une montre pour fixer la charnière.
3. Installez la vis de mise à la terre (5) et connectez les deux faisceaux de fils (4).
4. Poussez le tuyau d'eau (3) situé en haut de la porte gauche dans le trou à côté de la charnière gauche au-dessus de l'armoire jusqu'à ce qu'il sorte par l'arrière.
5. Insérez le tuyau d'approvisionnement d'eau (3) dans le connecteur jusqu'à ce que vous ne voyiez qu'une seule graduation. Insérez complètement le tube sur  $\frac{5}{8}$  po. (15 mm).
6. Accrochez les pattes sur le côté gauche du couvercle de la charnière (1) sous le bord de la charnière supérieure (7) et positionnez le couvercle en place. Insérez et serrez la vis du couvercle (1).

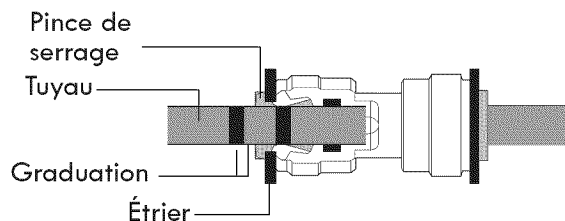


### ► Porte droite

1. Posez la porte sur la tige d'articulation du milieu (9).
2. Placez la charnière supérieure (4) sur le levier de fermeture de la charnière (5) et en position. Faites pivoter le levier (3) dans le sens inverse des aiguilles d'une montre pour fixer la charnière.
3. Accrochez les pattes sur le côté droit du couvercle de la charnière (2) sous le bord de la charnière supérieure (4) et positionnez le couvercle en place. Insérez et serrez la vis du couvercle (1).



## ⚠ ATTENTION



Après insertion, tirez le tuyau pour vérifier qu'il est bien fixé et réinsérez l'étrier.

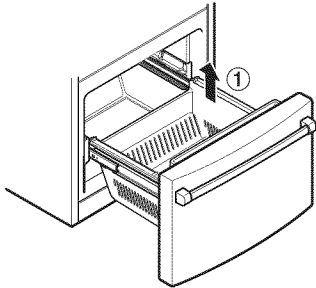
## COMMENT RETIRER LE TIROIR DU CONGÉLATEUR

**⚠ AVERTISSEMENT :** Faites appel à au moins deux personnes pour retirer et installer le tiroir du congélateur. Sinon, il y a risque de blessures au dos ou d'autres blessures.

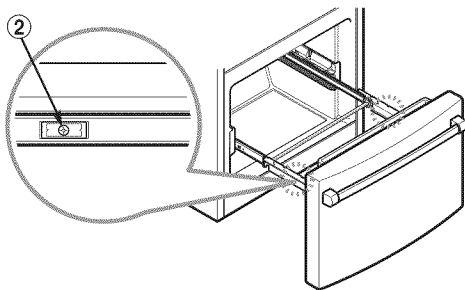
**⚠ ATTENTION :** Ne tenez pas la poignée lors du retrait ou de la remise en place du tiroir. La poignée pourrait tomber et provoquer une blessure.

**REMARQUE :** Dans les figures suivantes, le tiroir coulissant situé au-dessus du tiroir du congélateur n'apparaît pas par souci de clarté.

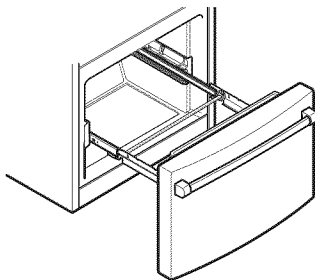
Tirez le tiroir en position d'ouverture maximale. Retirez le panier inférieur ① en soulevant le panier du système de rails.



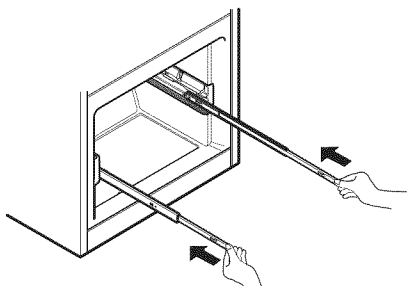
Retirez les vis ② du rail des deux côtés.



Saisissez le tiroir de chaque côté et tirez-le vers le haut pour le séparer des rails.

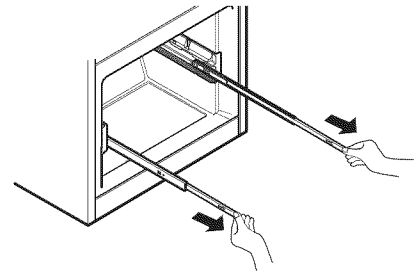


Des deux mains, tenez la barre centrale et poussez-la vers l'intérieur pour permettre aux deux rails de glisser vers l'intérieur simultanément.

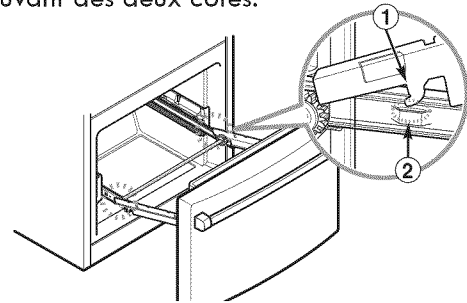


## COMMENT INSTALLER LE TIROIR DU CONGÉLATEUR

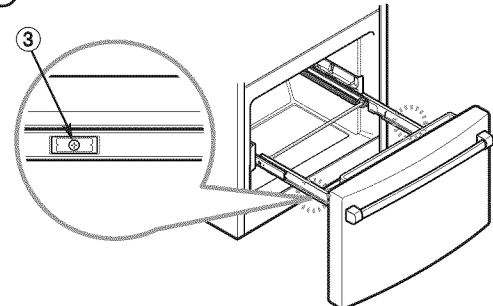
Des deux mains, saisissez la barre centrale et tirez-la vers l'extérieur jusqu'à ce que les deux rails soient entièrement sortis.



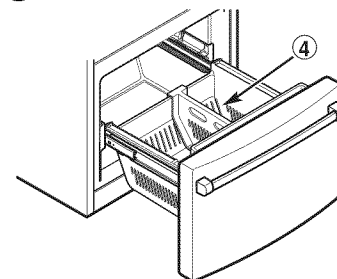
Saisissez le tiroir de chaque côté et accrochez les supports de la porte ① dans les pattes du rail ② se trouvant des deux côtés.



Abaissez la porte à sa position finale et serrez les vis ③ situées des deux côtés.



Le tiroir étant entièrement sorti, insérez le panier inférieur ④ dans le rail.



**⚠ AVERTISSEMENT :** Si le diviseur du Durabase est retiré, il y a suffisamment d'espace ouvert pour permettre à des enfants ou des animaux de se glisser à l'intérieur. Pour éviter les risques qu'un enfant ou un animal reste coincé ou suffoque accidentellement, NE LES LAISSEZ PAS toucher le tiroir du congélateur ou s'en approcher.

**⚠ AVERTISSEMENT :** NE montez PAS et n vous asseyez pas sur le tiroir du congélateur.

## MISE À NIVEAU ET ALIGNEMENT DES PORTES

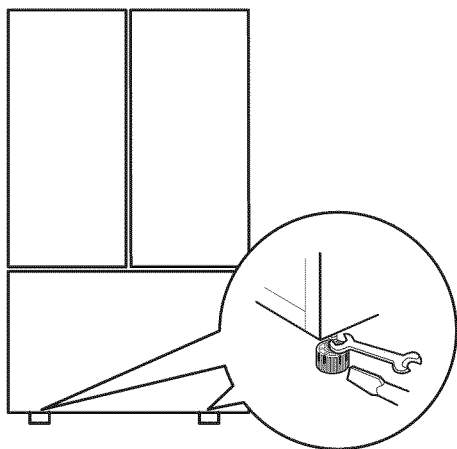
### Mise à niveau

Après l'installation, branchez le cordon d'alimentation du réfrigérateur sur une prise à 3 connecteurs mise à la terre et poussez le réfrigérateur en position finale.

Le réfrigérateur comporte deux cales de réglage à l'avant, une du côté droit, l'autre du côté gauche. Ajustez les cales de réglage pour modifier l'inclinaison avant-arrière ou côté à côté. Si le réfrigérateur semble instable, ou si vous souhaitez que les portes se ferment plus facilement, réglez l'inclinaison du réfrigérateur en utilisant les instructions ci-dessous :

**REMARQUE :** Outils requis : Clé de  $1\frac{1}{16}$  po. (18 mm) ou tournevis à lame plate.

1. Tournez la cale de réglage dans le sens inverse des aiguilles d'une montre pour soulever ce côté du réfrigérateur ou dans le sens des aiguilles d'une montre pour l'abaisser. Il faudra éventuellement plusieurs tours de cales de réglage pour régler l'inclinaison du réfrigérateur.



**REMARQUE :** Demandez à une personne de pousser vers l'arrière le haut du réfrigérateur pour retirer une partie du poids sur les cales de réglage. Cela simplifie le réglage des cales.

2. Ouvrez de nouveau les portes pour vérifier qu'elles se ferment facilement. Si les portes ne se ferment pas facilement, inclinez le réfrigérateur un peu plus vers l'arrière en tournant les deux cales de réglage dans le sens inverse des aiguilles d'une montre. Il faudra éventuellement plusieurs tours, et vous devrez effectuer le même nombre de tours pour les deux cales de réglage.

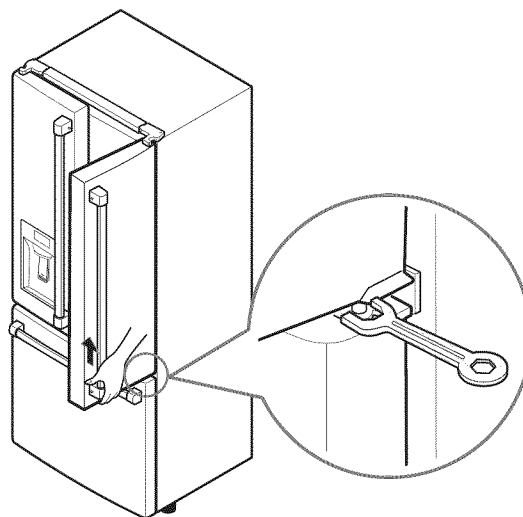
**REMARQUE :** Votre réfrigérateur est doté de deux portes. Chacune peut être ouverte ou fermée indépendamment. Vous devrez éventuellement exercer une légère pression sur les portes pour les fermer complètement.

### Alignement des portes

Les portes gauche et droite du réfrigérateur possèdent un écrou ajustable, situé sur la charnière inférieure, pour les soulever et les abaisser afin de les aligner.

Si l'espace entre vos portes n'est pas uniforme, suivez les instructions ci-dessous pour les aligner :

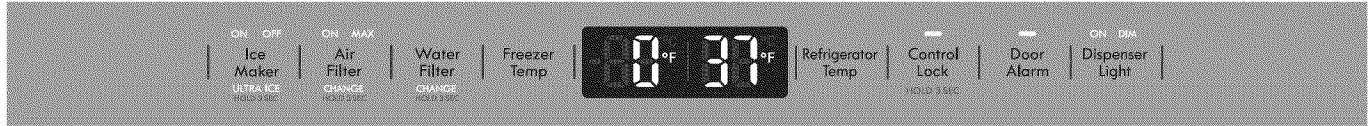
Utilisez la clé (incluse avec le Guide d'utilisation et d'entretien) pour tourner l'écrou dans la charnière de la porte afin d'en ajuster la hauteur. Tournez dans le sens des aiguilles d'une montre pour augmenter la hauteur ou dans le sens inverse des aiguilles d'une montre pour la diminuer.



# UTILISATION DU RÉFRIGÉRATEUR

## RÉGLAGE DES CONTRÔLES

### Température

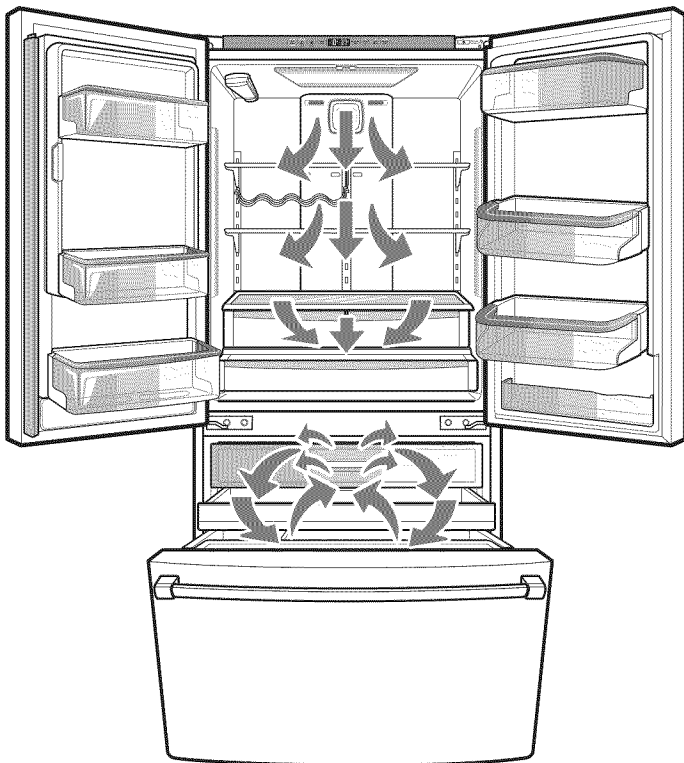


- **Le contrôle Refrigerator Temp va de 33°F à 46°F (1°C à 8°C).** Appuyez sur le bouton Refrigerator Temp pour parcourir les réglages de température disponibles un incrément à la fois.
- **Le contrôle Freezer Temp va de -6°F à 8°F (-21°C à -13°C).** Appuyez sur le bouton Freezer Temp pour parcourir les réglages de température disponibles un incrément à la fois.

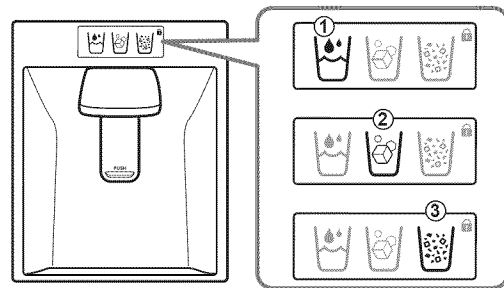
**REMARQUE :** Lors du changement des réglages de contrôle, attendez 24 heures avant d'effectuer des ajustements supplémentaires. Les contrôles sont correctement réglés lorsque la température du lait ou du jus vous convient et que la crème glacée est ferme. Si la température est trop basse ou trop élevée, changez le réglage un incrément à la fois. Attendez 24 heures que le changement se stabilise avant de procéder à un nouveau réglage.

### Circulation d'air

Veillez à ne pas obstruer les ouvertures d'aération lors du remplissage du réfrigérateur. Vous pourriez ainsi restreindre la circulation de l'air et faire monter la température du réfrigérateur ou provoquer l'accumulation d'humidité à l'intérieur. (Voir le schéma de circulation d'air ci-dessous.)



### Distributeur



Le distributeur fournit de l'eau, des glaçons ou de la glace pilée. Appuyez sur l'icône de votre choix : (1) eau, (2) glaçons, (2) glace pilée. L'icône s'allume lorsque vous appuyez dessus.

**REMARQUE :** L'affichage de contrôle est doté d'une commande tactile. Une humidité excessive sur l'affichage peut causer un dysfonctionnement. Maintenez l'affichage propre et sec.

**REMARQUE :** si l'icône de verrouillage est allumée, vous ne pouvez pas choisir le mode du distributeur. Vérifiez si le mode de verrouillage des commandes est activé ou désactivé sur le panneau de commande.

**⚠ AVERTISSEMENT :** Le distributeur ne fonctionnera pas si une porte est laissée ouverte ou si le verrou de contrôle est activé.

## Filtre d'air



Le filtre à air aide à retirer les odeurs du réfrigérateur. Le filtre à air a deux réglages, automatique et MAX. En mode Automatique, le filtre à air cyclera à marche et arrêt en incréments de dix minutes de marche et cent dix minutes d'arrêt. Si réglé en mode MAX, le filtre à air restera en marche continuellement pendant quatre heures, passant de marche à arrêt en incréments de dix minutes de marche et cinq minutes d'arrêt. Après quatre heures, le filtre à air passe au mode Automatique.

- Le mode Automatique est le mode par défaut.
- Appuyez sur le bouton de filtre à air une fois pour le mode MAX

## Réinitialisation du Filtre d'air



Quand le symbole CHANGE s'allume, le filtre d'air doit être changé. Après avoir changé le filtre d'air, appuyer sur le bouton du Filtre d'air pendant trois secondes pour éteindre la lumière du symbole. Il est conseillé de changer le filtre d'air tous les six mois.

## Machine à glaçons ACTIVÉE/DÉSACTIVÉE



- Pour mettre en marche ou éteindre la machine à glaçons, appuyez sur le bouton Ice Maker.

## Extra glace



- Lorsque vous maintenez enfoncée la touche Ice Maker pendant trois secondes, le graphique s'allumera à l'écran et continuera pendant 24 heures. La fonction s'éteindra automatiquement après 24 heures.

**REMARQUE :** Lorsque vous sélectionnez la fonction Extra glace, l'icône de la machine à glaçons s'éteindra brièvement, puis se rallumera. Ceci est normal.

- Vous pouvez arrêter cette fonction manuellement en maintenant à nouveau la touche enfoncée.
- Cette fonction augmente les possibilités de fabrication de glace et de congélation.

## Réinitialisation du filtre à eau



Quand le symbole CHANGE s'allume, vous devez changer le filtre à eau. Après le changement de filtre à eau, maintenez enfoncé le bouton Ice maker (Filtre à eau) pendant trois secondes pour éteindre le témoin. Vous devez changer le filtre à eau environ tous les six mois.

## Éclairage du distributeur



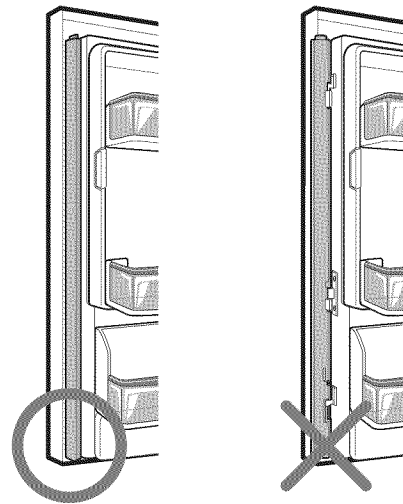
Cet éclairage comporte trois réglages : Activé, Désactivé et Veilleuse. Sélectionnez l'option Veilleuse le soir. L'éclairage s'allumera automatiquement à pleine capacité lorsque le volet du distributeur est enfoncé.

## Meneau articulé

Cette fonction est une bande métallique attachée à la porte gauche qui s'articule (pivote) sur 90 degrés lorsque la porte est fermée, formant un meneau (base) sur lequel viennent s'appuyer les joints d'étanchéité des portes gauche et droite.

## ⚠ ATTENTION

Pour réduire les risques d'égratignures de la porte ou de rupture du meneau de la porte, veuillez vous assurer que le meneau de la porte du réfrigérateur est toujours replié vers l'intérieur.



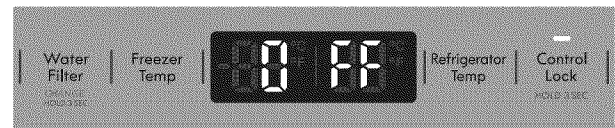
**Alarme de porte**

Door Alarm

- Lorsqu'une alimentation électrique est connectée au réfrigérateur, l'alarme de la porte est initialement activée. Lorsque vous appuyez sur le bouton **Door Alarm**, l'affichage change à OFF et la fonction **Door Alarm** se désactive.
- Lorsque la porte du réfrigérateur ou du congélateur est laissée ouverte pendant plus de 60 secondes, l'alarme retentit pour vous indiquer que la porte est ouverte.
- Lorsque vous fermez la porte, l'alarme s'arrête.

**Le mode Démonstration (pour utilisation en magasin seulement)**

Le mode **Démonstration** désactive tout refroidissement dans les sections réfrigérateur et congélateur pour préserver l'énergie alors que l'affichage est activé chez un détaillant. Lorsque cette fonction est activée, OFF s'affiche sur le panneau de commande.

**De commande de verrouillage**Control Lock  
HOLD 3 SEC

- Lors de la connexion initiale de l'alimentation électrique au réfrigérateur, la fonction **Verrou** est désactivée.
- Si vous souhaitez activer la fonction **Verrou** pour verrouiller d'autres boutons, maintenez enfoncé le bouton **Control Lock** pendant plus de trois secondes. L'icône **Control Lock** s'affiche et la fonction **Verrou** est maintenant activée.
- Lorsque la fonction **Verrou** est activée, aucun autre bouton ne fonctionne. Le bloc du distributeur est également désactivé.
- Pour désactiver la fonction **Verrou**, maintenez enfoncé le bouton **Control Lock** pendant environ trois secondes.

**Pour désactiver cette fonction :**

L'une des portes du réfrigérateur étant ouverte, maintenez enfoncés les boutons **Refrigerator Temp** et **Ice Maker** en même temps pendant cinq secondes. Le panneau de commande émet un bip et les réglages de température s'affichent pour confirmer la désactivation du mode **Démonstration**. Utilisez la même procédure pour activer le mode **Démonstration**.

**Fonction de changement de mode de température (°F <->°C)**

Si vous souhaitez passer de °F à °C ou vice versa, maintenez enfoncés les boutons **Freezer Temp** et **Refrigerator Temp** simultanément pendant environ cinq secondes.

## BAC À GLAÇONS DANS LA PORTE

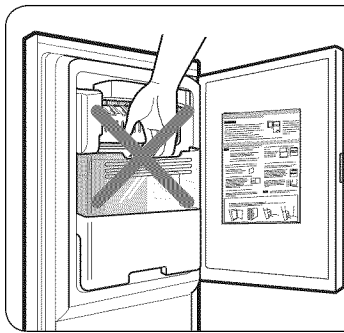
**⚠ ATTENTION :** Maintenez les mains et les outils loin de la porte du compartiment à glaçons et du déversoir du distributeur. Sinon, vous risquez d'endommager l'appareil ou de vous blesser.

La machine à glaçons s'arrête de produire de la glace lorsque le bac à glaçons dans la porte est plein. Si vous avez besoin de plus de glaçons, videz le bac à glaçons dans le bac à glaçons supplémentaire dans le compartiment congélateur. En cours d'utilisation, le niveau des glaçons peut devenir irrégulier et la machine à glaçons pourrait alors mal estimer la quantité de cubes de glace et cesser la production de glaçons. Pour corriger ce problème, il suffit parfois de secouer le bac à glaçons.

**REMARQUE :** Le stockage de boîtes ou autres éléments dans le bac à glaçons endommagera la machine à glaçons.

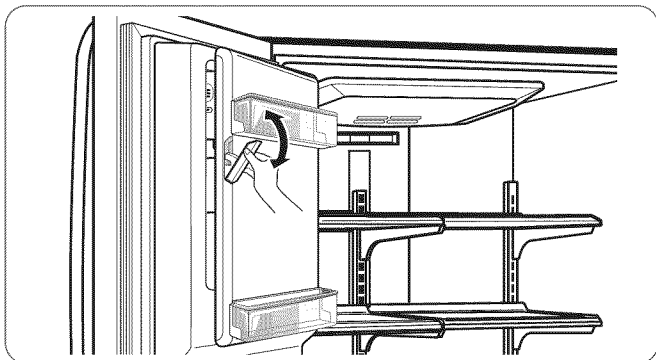
Maintenez la porte du compartiment à glaçons hermétiquement fermée. Si la porte du compartiment à glaçons n'est pas hermétiquement fermée, l'air froid du compartiment à glaçons fera geler la nourriture dans le compartiment réfrigérateur. Cela pourrait également entraîner l'arrêt de la production de glaçons.

**REMARQUE :** Il est recommandé de vider la réserve à glaçons si la touche Marche/Arrêt de la fabrication de glace est sur Arrêt pendant une période prolongée.

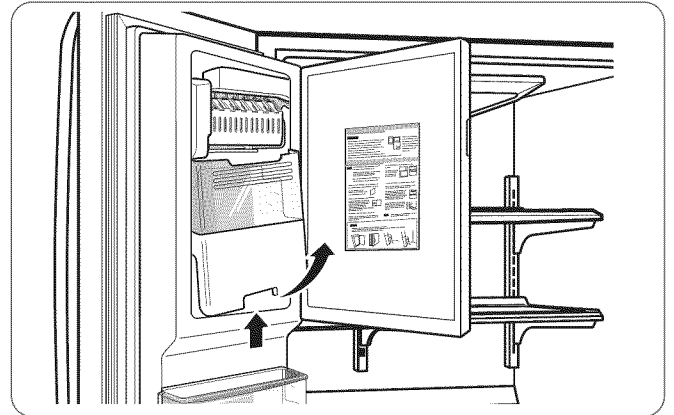


**⚠ ATTENTION**  
Lors de la manipulation du bac à glaçons, tenez les mains éloignées du bac de la machine à glaçons pour éviter de vous blesser.

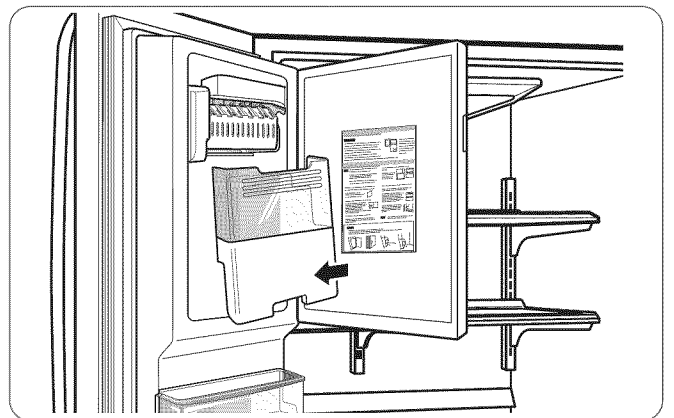
1. Tirez ou poussez la poignée de la porte pour ouvrir ou fermer le compartiment à glaçons.



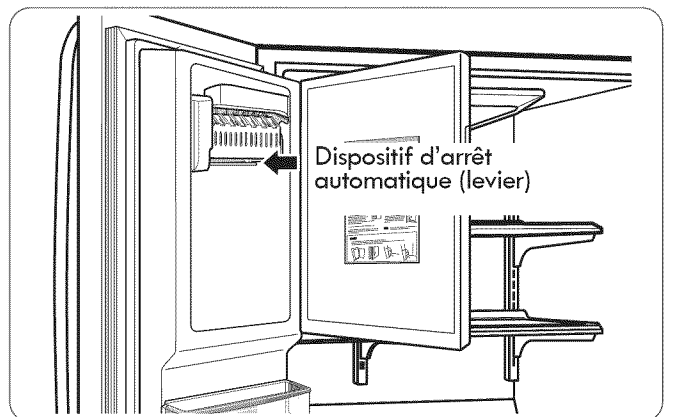
2. Pour retirer le bac à glaçons de la porte, saisissez la poignée avant, soulevez légèrement la partie inférieure, et tirez lentement le bac pour l'extraire comme illustré.



3. Pour réinstaller le bac à glaçons dans la porte, inclinez légèrement le bac pendant la remise en place pour éviter tout contact avec la machine à glaçons.



4. Évitez de toucher le dispositif d'arrêt automatique (levier) lorsque vous remplacez la réserve à glaçons. Pour plus de détails, reportez-vous à l'étiquette sur la porte du compartiment à glaçons.



## MACHINE À GLAÇONS AUTOMATIQUE

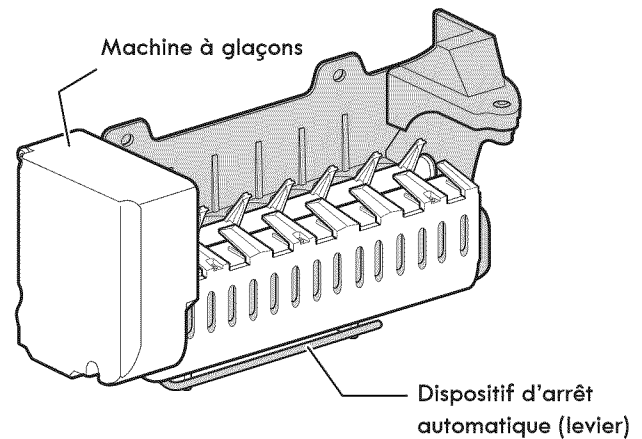
La glace est fabriquée dans la machine à glaçons automatique et envoyée dans le distributeur. La fabrication de glace produit entre 70 et 182 glaçons par période de 24 heures en fonction de la température du compartiment congélateur, de la température ambiante, du nombre d'ouvertures de la porte et d'autres conditions de fonctionnement.

- Il faut compter entre 12 et 24 heures avant qu'un réfrigérateur venant d'être installé commence à fabriquer de la glace. Attendez 72 heures pour une production maximale de glace.
- La fabrication de glace s'arrête dès que le bac de stockage de glace est plein. Lorsqu'il est plein, le bac à glace contient environ 6 à 8 (34 à 45 cl) verres de glace.
- La présence de substances étrangères ou de givre sur le dispositif d'arrêt automatique (levier) peut interrompre la production de glaçons. Veillez à ce que le levier reste propre en permanence pour garantir un bon fonctionnement.
- Pour augmenter la production de glaçons, utilisez la fonction Ultra Ice. Cette fonction permet d'augmenter les capacités de congélation et de fabrication de glace.

## ⚠ AVERTISSEMENT

### Risque de blessure

N'approchez PAS les doigts ou les mains du mécanisme de la machine à glaçons automatique pendant que le réfrigérateur est branché.



### MACHINE À GLAÇONS AUTOMATIQUE (suite)

#### ⚠ ATTENTION

- Les tout premiers glaçons et la première eau distribuée peuvent comporter des particules ou présenter une odeur provenant du circuit d'approvisionnement d'eau ou du réservoir d'eau.
- Jetez les premiers lots de glaçons. Cela est également nécessaire lorsque le réfrigérateur n'a pas été utilisé pendant une période prolongée.
- Ne stockez jamais des boîtes de boissons ou autres articles dans le bac à glace pour obtenir un refroidissement rapide. Vous pourriez endommager la machine à glaçons automatique ou les contenants peuvent éclater.
- Si de la glace décolorée est distribuée, vérifiez le filtre d'eau et l'approvisionnement d'eau. Si le problème persiste, contactez un centre d'entretien Sears ou un autre centre d'entretien qualifié. Évitez d'utiliser la glace ou l'eau tant que le problème n'est pas réglé.
- Ne laissez pas les enfants s'approcher du distributeur. Les enfants pourraient jouer avec les contrôles ou les endommager.
- Le passage de la glace peut devenir obstrué par du givre si uniquement de la glace concassée est employée. Retirez le givre qui s'accumule en retirant le bac à glaçons et en dégageant le passage avec une spatule en caoutchouc. La distribution de glace en cubes peut également contribuer à empêcher la formation de givre.
- N'utilisez jamais de verre ou de vaisselle en cristal pour recueillir la glace. De tels contenants peuvent s'ébrécher ou se casser en fragments de verre dans la glace.
- Distribuez la glace dans un verre avant de l'ajouter à de l'eau ou à d'autres boissons. Des éclaboussures peuvent se produire si la glace est distribuée dans un verre contenant déjà du liquide.
- N'utilisez jamais un verre qui est exceptionnellement étroit ou profond. De la glace pourrait se coincer dans le passage de glaçons et les performances du réfrigérateur pourraient être compromises.
- Maintenez le verre à une distance appropriée de la sortie de distribution de la glace. La présentation d'un verre trop près de la sortie peut empêcher la distribution de la glace.
- Pour éviter tout risque de blessure, n'approchez pas les mains de la porte et du passage de la glace.
- Ne retirez jamais le couvercle du distributeur.
- Si de la glace ou de l'eau est distribuée inopinément, coupez l'alimentation en eau et contactez Sears Home Service au aux États-Unis le 1-844-553-6667. and au Canada, le 1-800-469-4663.

### QUAND METTRE À L'ARRÊT LA FABRIQUE DE GLACE

- Lorsque l'approvisionnement en eau sera coupé pendant plusieurs heures.
- Lorsque le bac à glace est retiré pendant plus qu'une ou deux minutes.
- Lorsque le réfrigérateur ne sera pas utilisé pendant plusieurs jours.

**REMARQUE :** la réserve à glaçons doit être vidée chaque fois que la touche ON/OFF(Marche/Arrêt) de la fabrique de glace est réglée sur Arrêt.

### BRUITS NORMAUX QUE VOUS POUVEZ ENTENDRE

- Si la touche MARCHÉ/ARRÊT de la fabrique de glace est réglée sur MARCHÉ, la vanne bourdonnera même si la fabrique de glace n'est pas encore raccordée à une arrivée d'eau. Pour stopper ce bourdonnement, mettez la touche sur ARRÊT.
- **REMARQUE :** si vous laissez la fabrique de glace sur MARCHÉ avant qu'elle ne soit raccordée à l'arrivée d'eau, vous risquez de l'endommager.
- Vous entendrez le bruit des cubes tombant dans le bac et l'eau coulant dans les tuyaux lors du remplissage de la machine à glaçons.

### PRÉPARATION POUR LES VACANCES

Réglez la touche Marche/Arrêt de la fabrique de glace sur Arrêt et coupez l'arrivée d'eau au réfrigérateur.

**REMARQUE :** La réserve à glaçons doit être vidée chaque fois que la touche Marche/Arrêt de la fabrique de glace est réglée sur Arrêt.

Si la température ambiante tombe au-dessous du niveau du gel, demandez à un technicien qualifié de drainer le système d'approvisionnement d'eau afin d'éviter de graves dégâts des eaux provoqués par la rupture d'une conduite ou d'un raccordement d'eau.

## GUIDE DE STOCKAGE DES ALIMENTS

Enveloppez ou stockez la nourriture dans le réfrigérateur dans une matière hermétique à l'épreuve de l'humidité sauf indication contraire. Cela empêche le transfert des odeurs et du goût dans le réfrigérateur. Pour les produits datés, vérifiez le code de date pour vous assurer de la fraîcheur des aliments.

Produits	Procédure
<b>Beurre ou margarine</b>	► Gardez le beurre ouvert dans une assiette couverte ou un compartiment fermé. Lors du stockage d'une réserve supplémentaire, enveloppez dans un emballage à congélation et congelez le produit.
<b>Fromage</b>	► Stockez dans un emballage d'origine jusqu'à utilisation. Une fois ouvert, remballer hermétiquement dans un film de plastique ou du papier d'aluminium.
<b>Lait</b>	► Essuyez les cartons de lait. Pour un meilleur stockage, placez le lait sur une étagère intérieure, et non sur une étagère de porte.
<b>Œufs</b>	► Stockez dans le carton d'origine sur une étagère intérieure, et non sur une étagère de porte.
<b>Fruit</b>	► Ne pas laver ou peler un fruit jusqu'à ce qu'il ne soit prêt à être consommé. Sélectionner et garder les fruits dans les récipients originaux, dans un bac, ou les garder dans un sac en papier complètement fermé, sur une étagère du réfrigérateur.
<b>Légume-feuille</b>	► Retirez l'emballage du magasin et enlevez les zones meurtries ou décolorées. Lavez à l'eau froide et égouttez. Placez dans un sac ou un conteneur en plastique, et rangez dans le bac à légumes.
<b>Légumes à peau (carottes, poivrons)</b>	► Placez dans des sacs ou un conteneur en plastique, et rangez dans le bac à légumes.
<b>Poisson</b>	► Garder le poisson cru et les fruits de mer dans le congélateur, si vous ne les consommez pas le jour de l'achat. Il est conseillé de consommer le poisson cru et les fruits de mer le jour de l'achat.
<b>Restes</b>	► Couvrez les restes avec du film plastique, du papier d'aluminium ou des contenants en plastique avec couvercle hermétique.

## STOCKAGE DES ALIMENTS CONGELÉS

**REMARQUE :** Consultez un guide sur la congélation ou un livre de cuisine fiable pour obtenir d'autres informations sur la préparation des aliments en vue d'une congélation ou sur les durées de conservation des aliments.

### Congélation

Le congélateur ne peut pas congeler rapidement une grande quantité de nourriture. Ne placez pas d'aliments non congelés dans le congélateur qui ne pourra pas congeler en moins de 24 heures (pas plus de 2 à 3 livres de nourriture par pied cube d'espace de congélation). Laissez suffisamment d'espace dans le congélateur pour permettre la circulation de l'air entre les paquets. Veillez à laisser suffisamment d'espace à l'avant pour garantir la fermeture hermétique de la porte.

Les durées de stockage varient en fonction de la qualité et du type de nourriture, du type d'emballage ou d'enveloppement utilisé (hermétique à l'air et à l'humidité) et de la température de stockage. Les cristaux de glace à l'intérieur d'un paquet fermé sont normaux. Cela signifie simplement que l'humidité dans la nourriture et l'air à l'intérieur du paquet se sont condensés, formant des cristaux de glace.

**REMARQUE :** Laissez les aliments chauds refroidir à la température de la pièce pendant 30 minutes, puis emballez et congelez. Le refroidissement des aliments chauds avant la congélation permet d'économiser l'énergie.

### Emballage

La qualité de la congélation dépend du choix d'un emballage approprié. Lorsque vous fermez et scellez le paquet, il doit être parfaitement hermétique à l'air ou à l'humidité. Dans le cas contraire, l'odeur et le goût des aliments pourraient être transférés dans le réfrigérateur, ou les aliments congelés pourraient sécher.

### Recommandations d'emballage :

- Contenants en plastique rigide avec couvercle à fermeture hermétique
- Bocaux à bords droits/bocaux de congélation
- Papier d'aluminium renforcé
- Papier plastifié
- Films plastiques imperméables
- Sac de congélation à fermeture incorporée

Suivez les instructions de l'emballage ou du contenant pour utiliser les méthodes de congélation appropriées.

### N'utilisez pas

- Papier d'emballage de pain
- Contenants en plastique non-polyéthylène
- Contenants sans couvercle hermétique
- Papier ciré ou papier de congélation ciré
- Film fin semi-perméable

**⚠ ATTENTION :** Ne placez pas les boîtes de boissons ou les contenants de nourriture en plastique dans le compartiment congélateur. Ils pourraient se rompre ou éclater en congelant.

## GUIDE DE STOCKAGE DU VIN

Pour plus de commodité et pour gagner de l'espace, utilisez le porte-bouteilles pour stocker jusqu'à quatre bouteilles de taille standard.

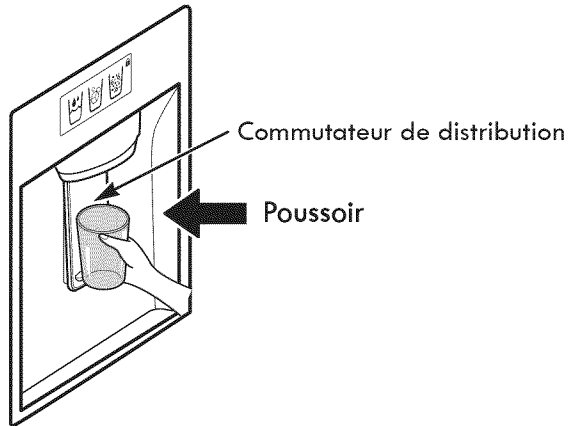
**⚠ ATTENTION :** Le porte-bouteilles est conçu pour des bouteilles de taille standard. L'utilisation de bouteilles de taille non standard ou plus grande peut empêcher la fermeture correcte de la porte du réfrigérateur.

## SECTION RÉFRIGÉRATEUR

### DISTRIBUTEUR D'EAU

Pour obtenir de l'eau froide, poussez l'interrupteur de distribution avec un verre.

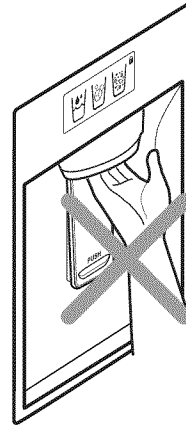
**REMARQUE** : Le distributeur est doté d'une lumière qui s'allume lorsque la plaque du distributeur est enfoncée.



Un égouttement peut se produire après la distribution. Maintenez votre tasse sous le distributeur pendant quelques secondes après la distribution pour récupérer toutes les gouttes.

**⚠ Avertissement** : Ne mettez pas les doigts dans le déversoir de glaçons. Vous pourriez gravement vous blesser.

**⚠ Attention** : Ne déversez pas la glace dans des tasses en porcelaine ou des verres en cristal. La porcelaine ou le cristal pourrait se casser.



## ÉTAGÈRES DU RÉFRIGÉRATEUR

Les étagères du réfrigérateur sont ajustables en fonction de vos besoins. Votre modèle peut comporter des étagères en verre ou en treillis métallique.

L'ajustement des étagères en fonction de différentes hauteurs d'articles permet de trouver l'article recherché plus facilement. Cela permet également de réduire les temps d'ouverture des portes du réfrigérateur et d'ainsi économiser de l'énergie.

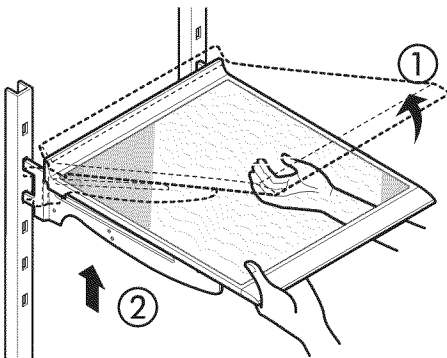
**IMPORTANT :** Évitez de nettoyer les étagères en verre avec de l'eau chaude alors qu'elles sont froides. Les étagères pourraient se casser si elles sont soumises à de brusques changements de température ou à un impact.

**REMARQUE :** Les étagères en verre sont lourdes. Soyez prudent lors de leur retrait.

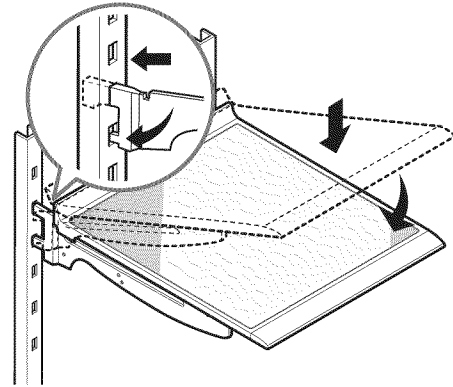
### Réglage des étagères (en porte-à-faux)

Retirez les étagères de la position d'expédition et placez-les à la position souhaitée.

**Pour retirer une étagère**—Inclinez l'avant de l'étagère dans la direction de ① et soulevez-la dans la direction de ②. Tirez sur l'étagère pour la retirer.



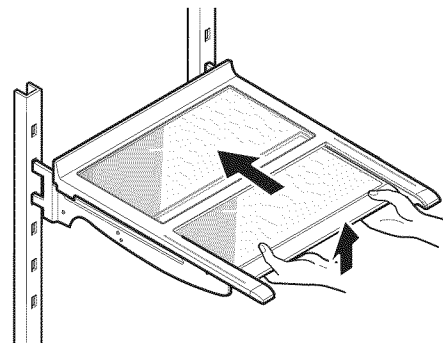
**Pour réinstaller une étagère**—Inclinez l'avant de l'étagère vers le haut et introduisez les crochets de l'étagère dans les fentes à la hauteur souhaitée. Ensuite, abaissez l'avant de l'étagère afin que les crochets se positionnent dans les fentes.



**⚠ ATTENTION :** Veillez à placer les étagères au même niveau des deux côtés. Sinon, l'étagère pourrait tomber ou renverser des aliments.

### Étagère coulissante

Vous pouvez ranger des articles plus hauts, par exemple des contenants ou des bouteilles d'un gallon, en poussant simplement la moitié avant de l'étagère sous sa moitié arrière. Tirez vers vous l'avant de l'étagère pour revenir à une étagère complète.

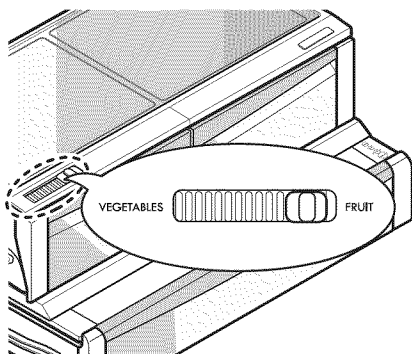


## BAC À LÉGUMES À HUMIDITÉ CONTRÔLÉE

Les bacs à légumes préservent le goût des fruits et des légumes en vous laissant contrôler facilement l'humidité à l'intérieur du tiroir.

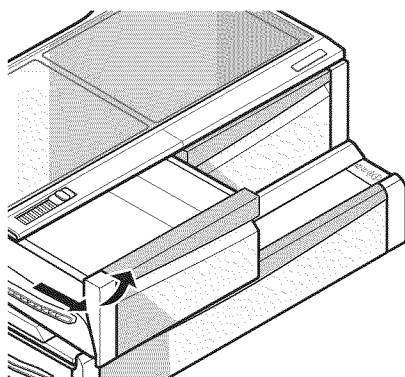
Vous pouvez contrôler la quantité d'humidité dans les bacs à légumes étanches en ajustant le contrôle à un réglage compris entre **VEGETABLES** et **FRUIT**.

- **VEGETABLES** maintient l'air humide dans le bac à légumes pour une meilleure conservation des légumes-feuille frais.
- **FRUIT** laisse sortir l'air humide du bac à légumes pour une meilleure conservation des fruits.



## RETRAIT DU BAC À LÉGUMES À HUMIDITÉ CONTRÔLÉE

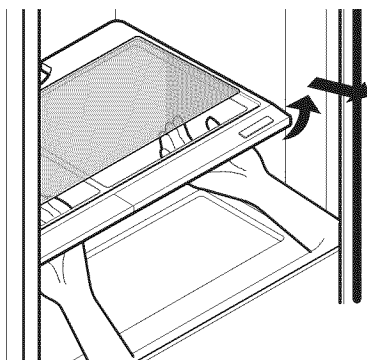
1. Pour le retirer, tirez le tiroir pour le sortir complètement.
2. Soulevez l'avant du bac à légumes, puis tirez-le vers l'extérieur pour le sortir.
3. Pour installer le bac, inclinez légèrement l'avant vers le haut, insérez le tiroir dans le cadre et poussez-le en place.



### Pour retirer le verre

1. Soulevez le verre sous le couvercle du bac à légumes.
2. Tirez le verre vers le haut et sortez-le.

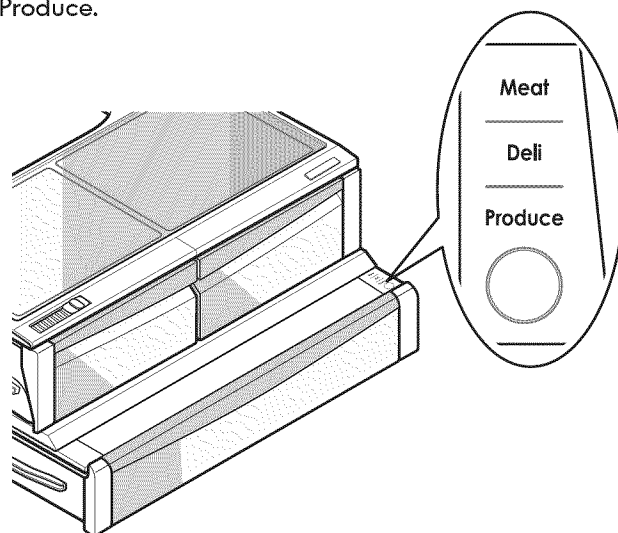
**REMARQUE :** (Tiroir non représenté par souci de clarté.)



## TIROIR GARDE-MANGER À TEMPÉRATURE CONTRÔLÉE

Le **tiroir garde-manger à température contrôlée** fournit un espace de stockage avec contrôle de température variable pouvant maintenir le compartiment à une température inférieure à la section réfrigérateur. Ce tiroir peut être utilisé pour de grands plateaux de réception, des articles d'épicerie fine et les boissons. (Ce tiroir ne doit pas être utilisé pour les légumes demandant une humidité élevée.)

Appuyez sur le bouton pour choisir entre Meat, Deli et Produce.



**⚠ ATTENTION :** Ne placez pas de bouteilles en verre dans le garde-manger. Si elles sont gelées, elles risquent de se briser et de provoquer des blessures.

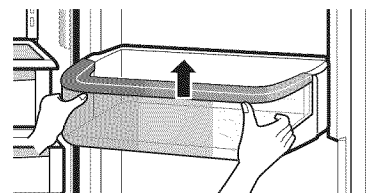
## BAC DE PORTE

Les bacs de porte sont amovibles pour simplifier leur nettoyage et leur réglage.

1. Pour retirer le bac, soulevez-le simplement et tirez-le vers l'extérieur.
2. Pour remettre en place le bac, faites-le glisser à l'intérieur au-dessus du support souhaité et poussez-le vers le bas pour l'enclencher.

**REMARQUE :** Certains bacs peuvent avoir un aspect différent et ne tenir qu'à un seul emplacement.

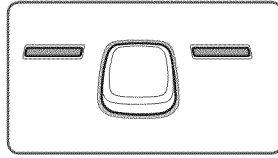
**⚠ ATTENTION :** ne remplissez pas trop les balconnets et ne serrez pas trop les aliments dedans. Vous risquez sinon d'endommager le balconnet ou de vous blesser si les aliments sont retirés avec force.



## REPLACEMENT DU FILTRE D'AIR

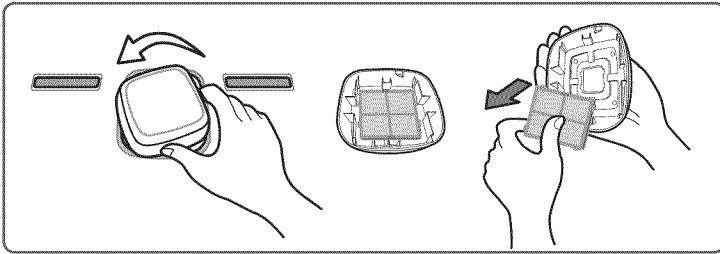
Il est conseillé de remplacer le filtre d'air:

- Tous les six mois.
- Quand le symbole CHANGE AIR FILTER (Changer le filtre d'air) s'allume.



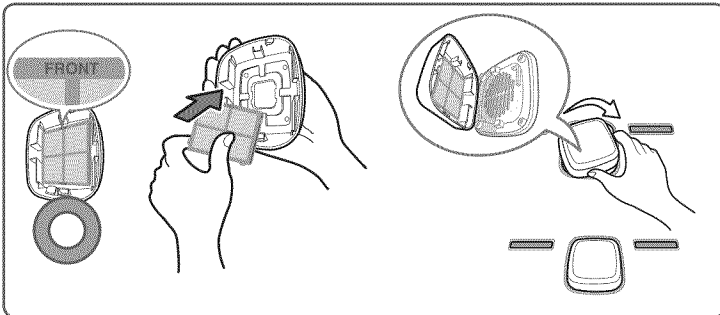
### 1. Retirer le filtre utilisé

Tournez le couvercle du filtre vers la gauche pour le détacher de la paroi du réfrigérateur. Le filtre se trouve à l'intérieur du couvercle du filtre. Retirez le filtre du couvercle et remplacez-le par un nouveau filtre.



### 2. Installer un nouveau filtre d'air

Placez le nouveau filtre à l'intérieur du couvercle avec le côté portant la mention « Avant » face vers l'extérieur. Tournez le filtre vers la droite pour le fixer sur la paroi du réfrigérateur.



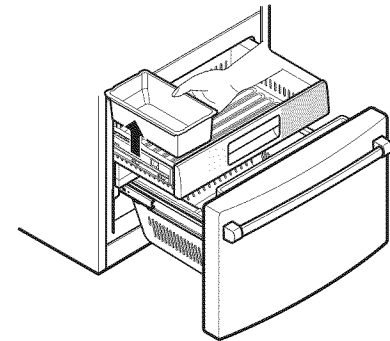
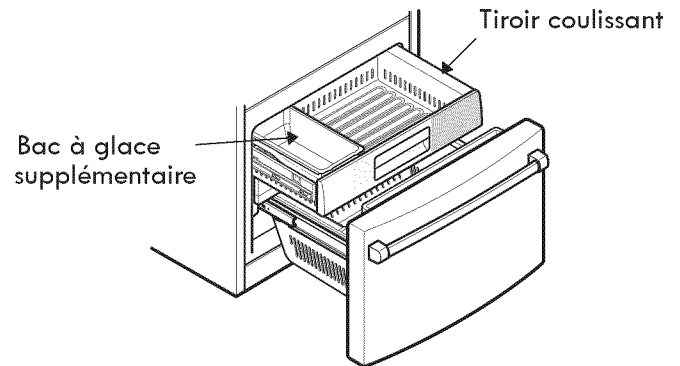
Après avoir changé le filtre d'air, appuyer pendant trois secondes sur le bouton du Filtre d'air pour réinitialiser le capteur du filtre.

**NOTE:** Pour acheter un filtre d'air de rechange, visiter votre magasin local Sears, au aux États-Unis, composez le 1-844-553-6667. and au Canada, composez le 1-800-469-4663. Pour l'achat de web, visitez : [www.kenmore.com](http://www.kenmore.com)

## SECTION CONGÉLATEUR

### BAC À GLAÇONS SUPPLÉMENTAIRES

1. Tirez le tiroir du congélateur et le tiroir coulissant le plus loin possible pour retirer le bac à glace supplémentaire.
2. Soulevez délicatement le bac à glaçons et tirez vers l'extérieur pour le retirer.
3. Pour remettre en place, tirez les deux tiroirs le plus loin possible, et placez le bac à sa position appropriée dans le tiroir coulissant. Fermez le tiroir coulissant, puis le tiroir du congélateur.

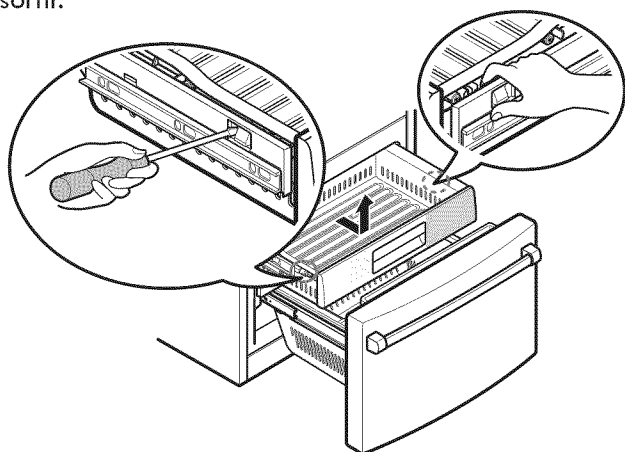


**⚠ ATTENTION :** Risque de pincement! N'approchez pas les mains et les pieds du tiroir du congélateur lors de l'ouverture et de la fermeture.

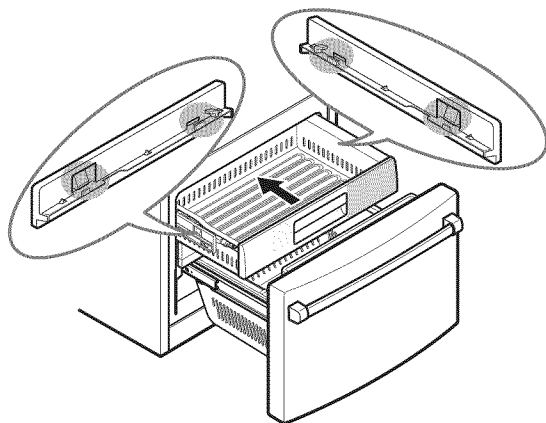
## TIROIR COULISSANT

### Caisson supérieur

1. Pour retirer, sortez le tiroir jusqu'au bout. Sur le rail gauche, utilisez un tournevis à lame plate pour enfoncer la languette afin de dégager le tiroir du rail, comme indiqué plus bas. Lorsque le côté gauche est dégagé, enfoncez la languette du côté droit du doigt pour dégager le tiroir. Soulevez l'avant du tiroir puis tirez pour le sortir.

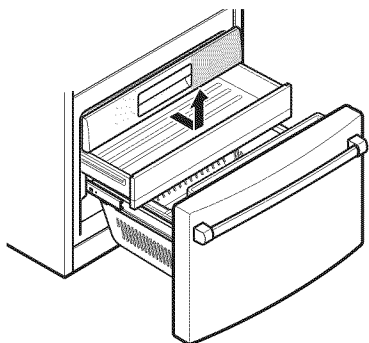


2. Pour replacer, penchez un peu l'avant du tiroir vers le haut, insérez le tiroir dans le cadre et repoussez le tiroir en place jusqu'à ce que vous entendiez un clic.

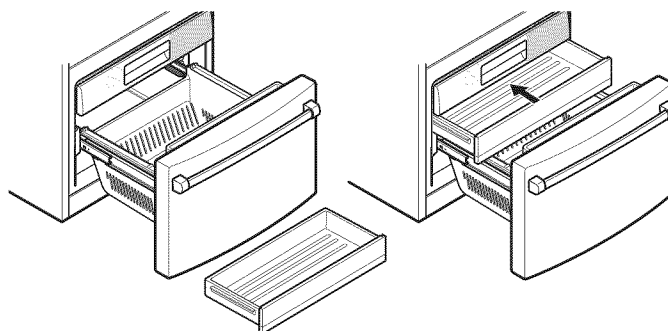


### Caisson de milieu

1. Pour retirer le caisson, tirer complètement dehors. Lever le devant du caisson et tirer complètement, tout droit.

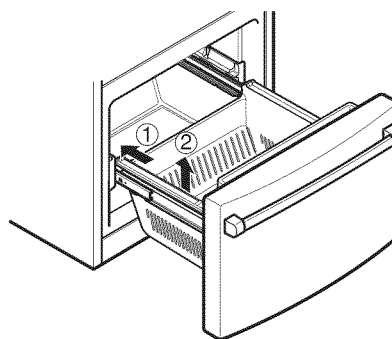


2. Pour remettre en place, inclinez légèrement l'avant du tiroir vers le haut, insérez le tiroir dans le châssis, puis poussez le tiroir en place.



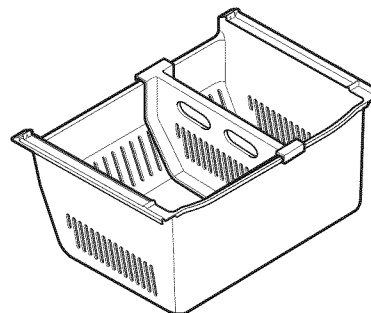
## DURABASE

1. Pour retirer le Durabase, poussez-le vers l'arrière le plus loin possible. Inclinez l'avant du Durabase et tirez-le vers l'extérieur.
2. Pour le remettre en place, insérez le Durabase dans le rail.



## DIVISEUR DU DURABASE

Le diviseur du Durabase permet d'organiser le volume du Durabase en deux sections. Il peut être réglé d'un côté à l'autre pour recevoir des articles de tailles différentes.



- ⚠ AVERTISSEMENT :** Si le diviseur du Durabase est retiré, il y a suffisamment d'espace ouvert à l'intérieur pour qu'un enfant ou des animaux s'y glissent. Pour prévenir les risques qu'un enfant ou un animal reste coincé ou suffoque accidentellement, NE les laissez PAS toucher le tiroir ou s'en approcher.

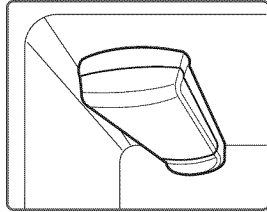
# FILTRE À EAU

## FILTRE À EAU



Il est recommandé de remplacer le filtre à eau :

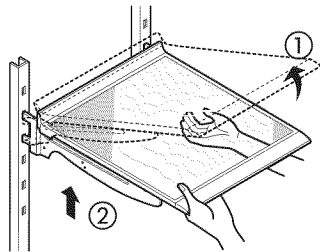
- Environ tous les 6 mois.
- Lorsque le témoin de filtre à eau s'allume.
- Lorsque le débit du distributeur d'eau diminue.
- Lorsque les cubes de glace sont plus petits que d'habitude.



### Avant de remplacer le filtre à eau :

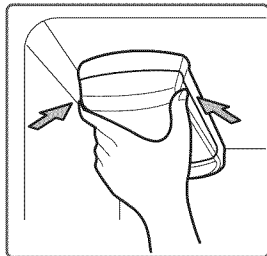
Si la clayette supérieure située sous le filtre à haut est placée en position la plus haute, vous devrez la retirer avant de remplacer le filtre à eau.

Pour retirer une clayette – Inclinez la partie avant de la clayette vers le haut ① et soulevez-la ②. Tirez sur l'étagère pour la retirer.

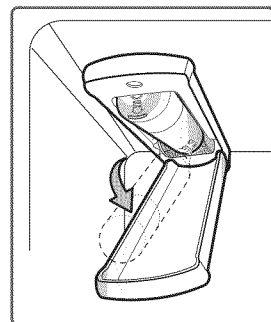


### 1. Retirez l'ancien filtre à eau.

- Abaissez ou retirez l'étagère gauche supérieure pour permettre au filtre à eau de basculer complètement.
- Appuyez sur le bouton-poussoir pour ouvrir le couvercle du filtre à eau.



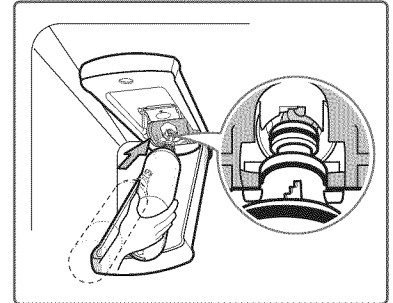
**REMARQUE :** Le remplacement du filtre à eau entraîne l'écoulement d'une petite quantité d'eau (environ 1 once ou 25 cc). Placez une tasse sous l'extrémité avant du couvercle du filtre à eau pour recueillir tout écoulement d'eau. Tenez le filtre à eau à la verticale, une fois qu'il est retiré, pour empêcher tout écoulement d'eau du filtre à eau.



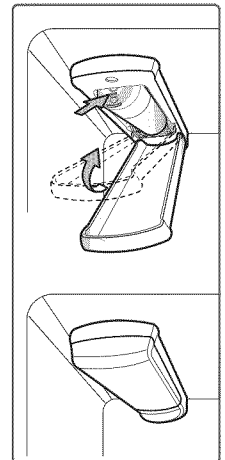
- Tirez le filtre à eau vers le bas puis vers l'extérieur.

### 2. Remplacez par un nouveau filtre à eau.

- Sortez le nouveau filtre à eau de son emballage puis retirez l'enveloppe de protection des joints toriques. Les pattes du filtre à eau orientées en position horizontale, introduisez le nouveau filtre à eau à fond dans le collecteur.



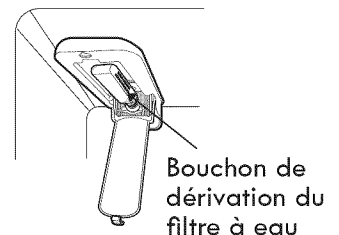
- Faites tourner le filtre à eau en position et fermez le couvercle. Le couvercle s'enclenche s'il est correctement fermé.



- 3. Une fois le filtre à eau remis en place, distribuez 2,5 gallons d'eau (laissez couler environ 5 minutes) pour purger l'air piégé et les contaminants du système. Ne distribuez pas toute la quantité des 2,5 gallons de façon continue. Enfoncez et relâchez la plaque du distributeur pour des cycles de 30 secondes d'activation et de 60 secondes de désactivation.

### 4. Bouchon de dérivation du filtre à eau

Conservez le bouchon de dérivation du filtre à eau. Vous DEVEZ utiliser le bouchon de dérivation du filtre à eau lorsqu'une cartouche de filtre à eau de remplacement n'est pas disponible.



- ⚠ **ATTENTION :** N'UTILISEZ PAS le réfrigérateur sans avoir installé de filtre à eau ou de bouchon de dérivation du filtre à eau.

**REMARQUE :** Pour acheter un filtre à eau de remplacement, visiter votre magasin local Sears, au aux États-Unis, composez le 1-844-553-6667, and au Canada, composez le 1-800-469-4663.

Pour l'achat de web, visitez : [www.kenmore.com](http://www.kenmore.com)

Fiche technique de performances

Cartouche de remplacement à utiliser : 04609690000P

La concentration des substances indiquées dans l'eau entrant dans le système a été réduite à une concentration inférieure ou égale à la limite autorisée pour l'eau sortant du système, telle que spécifiée dans la norme NSF/ANSI 42 et la norme 53.



Système testé et certifié par NSF International par rapport aux normes NSF/ANSI 42 et 53 pour la réduction des substances répertoriées ci-dessous.

Réduction des contaminants	Concentration moyen	Concentration seuil dans l'eau	% moyen de réduction	Concentration autorisée du produit dans l'eau	Concentration maximale autorisée du produit dans l'eau	Conditions de réduction NSF	Rapport de test NSF
Goût et odeur de chlore	2,1 mg/L	2,0 mg/L ± 10%	97,2%	0,06 mg/L	S/O	≥ 50%	J-00049247
Classe particulaire nominale I, ≥0,5 à < 1,0 µm	5,600,000 pts/mL	Au moins 10 000 particules/mL	98,7%	73 000 pts/ml	S/O	≥85%	J-00049282
Amiante	190 MFL	107 à 108 MFL; fibres d'une longueur supérieure à 10 µm	>99%	< 1 MFL	S/O	≥99%	J-0004928
Atrazine	0,0094 mg/L	0,009 mg/L ± 10%	94,7%	0,00005 mg/L	0,003 mg/L	S/O	J-00049293
Benzène	0,016 mg/L	0,015 mg/L ± 10%	96,7%	0,005 mg/L	0,005 mg/L	S/O	J-00049300
Carbofuran	0,08 mg/L	0,08 mg/L ± 10%	98,1%	0,002 mg/L	0,04 mg/L	S/O	J-00049294
Lindane	0,002 mg/L	0,002 mg/L ± 10%	98,2%	0,00004 mg/L	0,0002 mg/L	S/O	J-00051975
P-Dichlorobenzène	0,22 mg/L	0,225 mg/L ± 10%	99,8%	0,0005 mg/L	0,075 mg/L	S/O	J-00049298
Toxaphène	0,014 mg/L	0,015 mg/L ± 10%	93%	0,001 mg/L	0,003 mg/L	S/O	J-00049302
2,4-D	0,213 mg/L	0,210 mg/L ± 10%	95,2%	0,009 mg/L	0,07 mg/L	S/O	J-00049284
Plomb pH @6,5	0,150 mg/L	0,15 mg/L ± 10%	>99,3%	0,001 mg/L	0,010 mg/L	S/O	J-00051974
Plomb pH @8,5	0,150 mg/L	0,15 mg/L ± 10%	>99,3%	0,001 mg/L	0,010 mg/L	S/O	J-00049277
Mercuré @ pH 6,5	0,0059 mg/L	0,006 mg/L ± 10%	96,1	0,0002 mg/L	0,002 mg/L	S/O	J-00053886
Mercuré @ pH 8,5	0,0058 mg/L	0,006 mg/L ± 10%	90,1	0,0006 mg/L	0,002 mg/L	S/O	J-00051972
Sporocyste*	120 000 sporocystes/L	50 000 sporocystes/L minimum	99,99%	<1 sporocystes/L	S/O	≥99,95%	J-00049281

\* Basé sur l'utilisation d'oocystes de *Cryptosporidium parvum*

Directives d'application/Paramètres d'approvisionnement d'eau	
Débit d'utilisation	0,5 gpm (1,9 lpm)
Approvisionnement d'eau	Eau potable
Pression de l'eau	20-120 psi (138 - 827 kPa)
Température de l'eau	33°F - 100°F (0,6°C - 38°C)

Il est essentiel que l'installation recommandée par le fabricant, ainsi que les procédures de maintenance et de remplacement du filtre à eau soient exécutées pour garantir les performances annoncées du produit.

**REMARQUE :** Alors que le test a été effectué dans des conditions de laboratoire normales, les performances réelles peuvent varier.

**REMARQUE :** Pour acheter un filtre à eau de remplacement, visiter votre magasin local Sears, au aux États-Unis, composez le 1-844-553-6667. and au Canada, composez le 1-800-469-4663. Pour l'achat de web, visitez : [www.kenmore.com](http://www.kenmore.com)  
filtre à eau de remplacement : ADQ36006102

Produit distribué aux États-Unis par Sears Brand Management Corporation.

3M est une marque commerciale de 3M Company.  
NSF est une marque commerciale de NSF International.  
© 2009 3M Company. Tous droits réservés.

## ! AVERTISSEMENT

**Pour réduire les risques associés à l'ingestion de contaminants : N'utilisez pas d'eau présentant une insécurité microbiologique ou de qualité inconnue sans une désinfection préalable avant et après le système.** Les systèmes certifiés pour réduction de sporocystes peuvent être utilisés sur de l'eau désinfectée pouvant contenir des sporocystes filtrables. Numéro d'établissement 10350-MN-005

## ! ATTENTION

**Pour réduire les risques associés aux dommages matériels dus aux fuites d'eau :**

- **Lisez et appliquez** les instructions du filtre à eau avant d'installer et d'utiliser ce système.
- L'installation et l'utilisation **DOIVENT** être conformes aux codes de plomberie locaux.
- **Ne procédez pas** à l'installation si la pression de l'eau est supérieure à 120 psi (827 kPa). Contactez un plombier professionnel en cas de doute sur la vérification de la pression de l'eau.
- **Ne procédez pas** à l'installation en présence de conditions de coup de bélier. En présence de conditions de coup de bélier, vous devez installer un antibellier. Contactez un plombier professionnel en cas de doute sur la vérification de cette condition.
- **Ne procédez pas** à l'installation sur des lignes d'adduction d'eau chaude.  
La température d'eau maximale d'exploitation de ce système de filtrage à eau est de 100°F (38°C).
- **Protégez le filtre à eau du gel.** N'utilisez pas le réfrigérateur à une température ambiante inférieure à 55°F. Asséchez le filtre à eau lors d'un stockage à des températures inférieures à 40°F (4,4°C).
- Le filtre à eau jetable doit être remplacé tous les six mois, à la capacité nominale, ou si une réduction notable du débit est observée.

State of California  
Department of Public Health  
Water Treatment Device  
Certificate Number  
09 - 2019

Date Issued: December 15, 2009

---

**Manufacturer:** Sears Roebuck and Co.

---

The water treatment device(s) listed on this certificate have met the testing requirements pursuant to Section 116830 of the Health and Safety Code for the following health related contaminants:

**Microbiological Contaminants and Turbidity**

Cysts

**Organic Contaminants**

2,4-D Reduction  
Atrazine  
Benzene  
Carbofuran  
Lindane  
p-Dichlorobenzene  
Toxaphene

**Inorganic/Radiological Contaminants**

Asbestos  
Lead  
Mercury

---

**Rated Service Capacity:** 200 gal

**Rated Service Flow:** 0.5 gpm

---

**Conditions of Certification:**

## ⚠ AVERTISSEMENT



### Risque d'explosion

Utilisez un produit de nettoyage ininflammable. Sinon, vous risquez de provoquer un incendie, une explosion ou des blessures mortelles.

Les sections réfrigérateur et congélateur se dégivrent automatiquement; cependant, il convient de nettoyer les deux sections environ une fois par mois pour empêcher la formation d'odeurs. Essuyez immédiatement les renversements.

### CONSEILS DE NETTOYAGE GÉNÉRAUX

- Débranchez le réfrigérateur ou déconnectez la source de courant.
- Retirer toutes les parties mobiles, telles que les étagères, les bacs à légumes, etc. Reportez-vous aux sections **Utilisation de votre réfrigérateur** pour consulter les instructions de retrait.
- Utilisez une éponge propre ou un chiffon doux et un détergent léger dilué dans l'eau chaude. N'utilisez pas de produits de nettoyage abrasifs ou corrosifs.
- Lavez, rincez et essuyez à la main toutes les surfaces.
- Branchez le réfrigérateur et reconnectez l'alimentation électrique.

### EXTÉRIEUR

Le cirage des surfaces métalliques peintes externes favorise la protection contre la rouille. Ne cirez pas les pièces en plastique. Cirez les surfaces métalliques peintes au moins deux fois par année à l'aide d'une cire pour appareils électroménagers (ou cire auto). Appliquez la cire avec un chiffon propre et doux.

Pour les produits dotés d'un extérieur en acier inoxydable, utilisez une éponge propre ou un chiffon doux et un détergent léger dilué dans l'eau chaude. N'utilisez pas de produits de nettoyage abrasifs ou corrosifs. Essuyez complètement avec un chiffon doux.

**PAROIS INTÉRIEURES** (laissez le congélateur se réchauffer afin d'éviter que le chiffon ne colle à la surface)

Pour faciliter l'élimination des odeurs, vous pouvez laver l'intérieur du réfrigérateur avec un mélange de bicarbonate de soude et d'eau chaude. Mélangez 2 cuillères à table de bicarbonate de soude à une pinte d'eau (26 g de bicarbonate de soude à 1 litre d'eau.) Vérifiez que le bicarbonate de soude est entièrement dissous afin qu'il ne risque pas de rayer les surfaces du réfrigérateur.

**⚠ ATTENTION :** Pendant le nettoyage de l'intérieur, n'aspergez pas d'eau.

### CONTRE-PORTES ET JOINTS

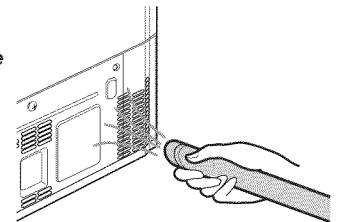
Utilisez une éponge propre ou un chiffon doux et un détergent léger dilué dans l'eau chaude. N'utilisez pas de cires nettoyantes, de détergent concentré, de javellisants ou de produits de nettoyage contenant des dérivés de pétrole sur les pièces en plastique du réfrigérateur.

### PIÈCES EN PLASTIQUE (couvercles et panneaux)

Utilisez une éponge propre ou un chiffon doux et un détergent léger dilué dans l'eau chaude. N'utilisez pas d'aérosols de fenêtres, de produits de nettoyage abrasif ou de fluides inflammables. Ceux-ci peuvent égratigner ou endommager les matériaux.

### SERPENTINS RÉFRIGÉRANTS

Utilisez un aspirateur équipé d'une rallonge pour nettoyer le couvercle et les ouvertures d'aération du serpentin réfrigérant. Ne retirez pas le panneau couvrant la zone du serpentin réfrigérant.



## REPLACEMENT D'UNE AMPOULE D'ÉCLAIRAGE

### AVERTISSEMENT

#### Risque d'électrocution

Avant de remplacer une ampoule d'éclairage de compartiment, débranchez le réfrigérateur ou coupez l'alimentation au niveau du disjoncteur ou d'une boîte de fusibles.

**REMARQUE :** La lampe du compartiment est un éclairage intérieur LED dont l'entretien doit être confié à un technicien qualifié.

#### Pour changer la lampe du compartiment congélateur

1. Débranchez de la prise secteur le cordon d'alimentation du réfrigérateur.
2. Retirez la vis au moyen d'un tournevis.
3. Saisissez le couvercle de l'ampoule, tirez le couvercle vers le bas.

#### COUPURES DE COURANT

1. En cas de coupure de courant de 24 heures ou moins, maintenez toutes les portes du réfrigérateur fermées pour maintenir les aliments froids et congelés.
2. Si la coupure de courant devait durer plus que 24 heures, retirez tous les aliments congelés et stockez-les dans un casier pour denrées congelées.

#### LORSQUE VOUS PARTEZ EN VACANCES

**Si vous choisissez de laisser en service le réfrigérateur pendant votre voyage,** suivez les instructions suivantes pour préparer le réfrigérateur avant votre départ.

1. Consommez toutes les denrées périssables et congelez les autres denrées.
2. Arrêtez la machine à glaçons et videz le bac à glace.

**Si vous choisissez de mettre hors tension le réfrigérateur avant votre départ,** procédez comme suit.

1. Retirez tous les aliments du réfrigérateur.
2. Selon votre modèle, réglez le contrôle du thermostat (contrôle du réfrigérateur) sur OFF. Reportez-vous à la section Réglage des contrôles.
3. Nettoyez le réfrigérateur, essuyez-le et séchez-le.
4. Avec du ruban adhésif fixez des blocs de caoutchouc ou de bois en haut des deux portes pour les maintenir ouvertes suffisamment pour laisser pénétrer l'air à l'intérieur. Cela permet d'éviter la formation d'odeurs et de moisissures.

#### LORSQUE VOUS DÉMÉNAGEZ

Lorsque vous déménagez votre réfrigérateur dans une nouvelle maison, procédez comme suit pour le préparer au déménagement.

1. Retirez tous les aliments du réfrigérateur et emballez-les dans de la glace sèche.
2. Débranchez le réfrigérateur.
3. Nettoyez, essuyez et séchez complètement.
4. Retirez toutes les pièces amovibles, emballez-les et attachez-les ensemble avec du ruban adhésif afin qu'elles ne s'entrechoquent pas pendant le transport. Reportez-vous à la section **Utilisation du réfrigérateur** pour les instructions concernant les pièces amovibles.
5. Selon le modèle, soulevez l'avant du réfrigérateur afin qu'il roule plus facilement OU vissez à fond vers l'intérieur les cales de réglage afin d'éviter qu'elles ne raient le plancher. Reportez-vous à la section **Fermeture des portes**.
6. Maintenez les portes fermées avec du ruban adhésif et fixez le cordon d'alimentation à l'armoire du réfrigérateur avec du ruban adhésif.

Lorsque vous arrivez dans votre nouvelle maison, remettez tout en place et reportez-vous à la section **Installation du réfrigérateur** pour les instructions de préparation.

# CONNEXION DU TUYAU D'EAU

## AVANT DE COMMENCER

Cette installation de raccordement d'eau n'est pas couverte par la garantie de ce réfrigérateur. Suivez attentivement ces instructions pour minimiser les risques de coûteux dégâts des eaux.

Des coups de bélier (brusques déplacements d'eau dans les tuyaux) dans une plomberie domestique peuvent endommager les pièces du réfrigérateur et provoquer des fuites d'eau ou des dégâts des eaux. Contactez un plombier qualifié pour corriger les effets de coups de bélier avant de raccorder la conduite d'approvisionnement d'eau au réfrigérateur.

**⚠ ATTENTION :** Pour éviter les brûlures et les dommages au produit, raccordez uniquement le tuyau d'eau du réfrigérateur à un approvisionnement d'eau froide.

Si vous voulez utiliser votre réfrigérateur avant d'avoir raccordé la conduite d'eau, assurez-vous que la fabrique de glace est éteinte sur le panneau de commande.

**⚠ ATTENTION :** N'installez pas la tuyauterie de la machine à glaçons à des endroits où la température tombe sous le niveau du gel.

## PRESSIION DE L'EAU

**Un approvisionnement d'eau froide.** La pression de l'eau doit être comprise entre 20 et 120 psi. Si le réfrigérateur est installé à un endroit où la pression d'eau est faible (inférieure à 1,38 bar, soit 20 psi), vous pouvez installer une pompe d'appoint pour compenser cette pression faible.

Si un **système de filtration d'eau à osmose inverse** est raccordé à votre approvisionnement d'eau froide, cette installation de raccordement d'eau n'est pas couverte par la garantie du réfrigérateur. Suivez attentivement les instructions suivantes pour minimiser les risques de coûteux dégâts des eaux.

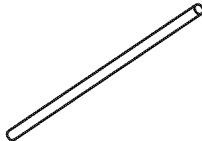
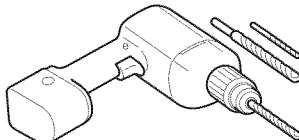
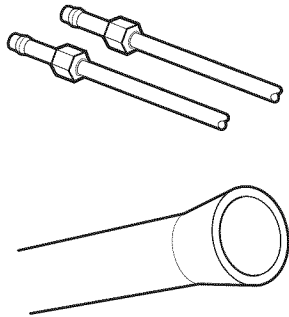
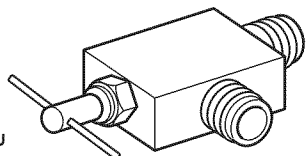
Si un **système de filtration d'eau par osmose inverse** est connecté à votre alimentation en eau froide, la pression d'eau au niveau du système par osmose inverse doit être comprise au minimum entre 2,76 et 4,14 bars (40-60 psi), soit moins de 2 à 3 secondes pour remplir une tasse de 20 cl.

Si la pression d'eau depuis le système par osmose inverse est inférieure à 1,38 bar (20 psi), soit plus de 4 secondes pour remplir une tasse de 20 cl, procédez comme suit:

- Vérifiez que le filtre à sédiments dans le système à osmose inverse n'est pas bloqué. Remplacez le filtre si nécessaire.
- Laissez le réservoir de stockage du système à osmose inverse se remplir après une utilisation intensive.
- Si le problème de la pression d'eau du système à osmose inverse persiste, contactez un plombier qualifié.
- Toutes les installations doivent être conformes aux conditions du code de plomberie local.

**⚠ ATTENTION :** Portez une protection des yeux pendant l'installation pour prévenir toute blessure.

## CE DONT VOUS AUREZ BESOIN

- **Tuyau de cuivre**, 1/4 po. de diamètre extérieur pour accorder le réfrigérateur à l'approvisionnement d'eau. Assurez-vous que les deux extrémités du tuyau ont une coupe perpendiculaire. 
  - Pour déterminer la longueur de tuyau requise : mesurez la distance entre la vanne à eau à l'arrière du réfrigérateur et la conduite d'approvisionnement d'eau. Ajoutez ensuite 8 pieds (2,4 m). Assurez-vous qu'il y a une section supplémentaire de tuyau suffisante (environ 8 pieds [2,4 m] bouclée en 3 coudes d'environ 10 po. [25 cm] le diamètre) pour permettre de placer le réfrigérateur à une distance adéquate du mur après l'installation.
  - **Perceuse.**
  - **Clé de 1/2 po. ou clé à ouverture variable.**
  - **Tournevis à lame plate et à pointe cruciforme.**
  - **Deux écrous de serrage d'un diamètre extérieur de 1/4 po. et 2 bagues (gainés)** pour raccorder les tuyaux de cuivre à la vanne d'arrêt et à la vanne à eau du réfrigérateur. 
  - Si votre conduite d'eau en cuivre a une extrémité évasée, vous aurez besoin d'un **adaptateur** (disponible dans les magasins d'articles de plomberie) pour raccorder la conduite d'eau au réfrigérateur OU vous pouvez couper le bout évasé avec un coupeur de tuyau et utiliser un dispositif de serrage. 
  - **Vanne d'arrêt pour raccorder la conduite d'eau froide.** La vanne d'arrêt doit comporter une entrée d'eau d'un diamètre intérieur minimal de 5/32 po. au point de raccordement à la CONDUITE D'EAU FROIDE. Les vannes d'arrêt de type étrier sont incluses dans plusieurs kits d'approvisionnement d'eau. Avant d'en acheter, assurez-vous qu'une vanne de type étrier est conforme aux codes de plomberie locaux. 
- REMARQUE :** Une vanne à eau de type étrier auto-perceuse ne doit pas être utilisée.

## ⚠ AVERTISSEMENT

### Risque d'électrocution

Lors de l'utilisation d'un dispositif électrique (telle qu'une perceuse) pendant l'installation, assurez-vous que le dispositif est alimenté par batterie, est doté d'une double isolation ou est mis à la terre afin d'éliminer les risques d'électrocution.

## INSTRUCTIONS D'INSTALLATION

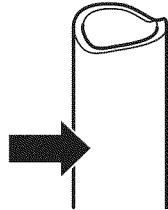
Installez la vanne d'arrêt sur la conduite d'eau potable fréquemment utilisé le plus proche.

### 1. ARRÊTEZ L'APPROVISIONNEMENT D'EAU PRINCIPAL

Ouvrez le robinet le plus proche pour libérer la pression sur la ligne.

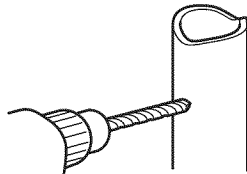
### 2. CHOISISSEZ L'EMPLACEMENT DE LA VANNE

Choisissez un emplacement facilement accessible pour la vanne. Il est préférable d'établir le raccordement dans le côté d'un tuyau d'eau vertical. S'il est nécessaire de faire le raccordement dans un tuyau d'eau horizontal, utilisez la face supérieure ou latérale et non la face inférieure, pour éviter la récupération des sédiments du tuyau d'eau.



### 3. PERCEZ LE TROU POUR LA VANNE

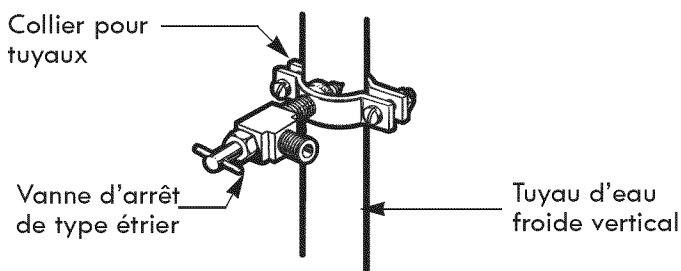
Percez un trou de 1/4 po. dans le tuyau d'eau avec une mèche aiguisée. Enlevez toute ébarbure résultant du perçage du trou dans le tuyau. Veillez à ne pas laisser l'eau s'écouler dans la perceuse. Si vous ne percez pas un trou de 1/4 po., il est possible que la production de glace soit réduite ou que les glaçons soient plus petits.



**REMARQUE :** La conduite de raccordement ne peut pas être un tuyau en plastique blanc. Les plombiers agréés ne doivent utiliser que des tuyaux en cuivre NDA n° 49595 ou 49599 ou des tuyaux en polyéthylène réticulés (PEX).

### 4. FIXEZ LA VANNE D'ARRÊT

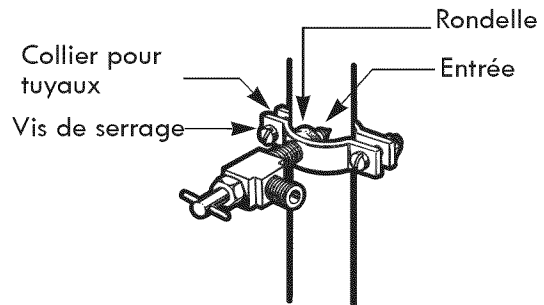
Fixez la vanne d'arrêt au tuyau d'eau froide avec le collier de serrage pour tuyau.



### 5. SERREZ LE COLLIER DE SERRAGE

Serrez les vis du collier de serrage jusqu'à ce que la rondelle d'étanchéité commence à gonfler.

**REMARQUE :** Ne serrez pas trop le collier de serrage, vous pourriez écraser le tuyau.



### 6. ACHEMINEZ LA TUYAUTERIE

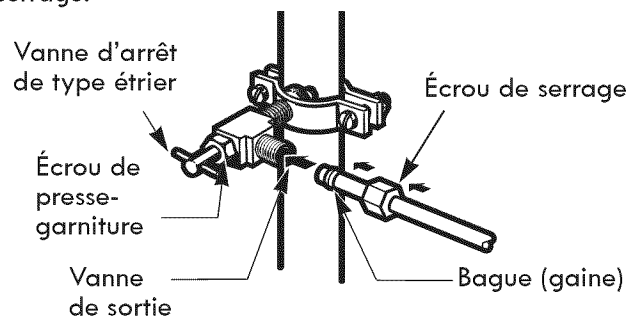
Acheminez la tuyauterie entre la conduite d'eau froide et le réfrigérateur.

Acheminez la tuyauterie par un trou pratiqué dans le mur ou le plancher (derrière le réfrigérateur ou l'armoire de base adjacente) aussi près que possible du mur.

**REMARQUE :** Assurez-vous qu'il y a une section supplémentaire de tuyau suffisante (environ 8 pieds bouclée en 3 coudes d'environ 10 po. de diamètre) pour permettre de placer le réfrigérateur à une distance adéquate du mur après l'installation.

### 7. RACCORDEZ LA TUYAUTERIE À LA VANNE

Placez l'écrou de serrage et la bague (gaine) pour le tuyau de cuivre à l'extrémité du tuyau et raccordez-le à la vanne d'arrêt. Assurez-vous que le tuyau est complètement introduit dans la vanne. Serrez solidement l'écrou de serrage.



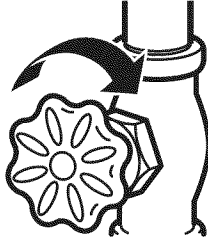
**REMARQUE :** Les codes de plomberie Commonwealth of Massachusetts 248CMR doivent être observés. Les vannes de type étrier sont illégales et leur utilisation n'est pas autorisée dans le Massachusetts. Consultez votre plombier licencié.

**REMARQUE :** Les codes de plomberie Commonwealth of Massachusetts 248CMR doivent être observés. Les vannes de type étrier sont illégales et leur utilisation n'est pas autorisée dans le Massachusetts. Consultez votre plombier licencié.

**8. LAVEZ LA TUYAUTERIE**

Ouvrez l'approvisionnement d'eau principal et laissez couler l'eau jusqu'à ce que l'eau soit propre.

Arrêtez l'eau au niveau de la vanne d'eau après avoir laissé s'écouler environ une pinte d'eau par la tuyauterie.

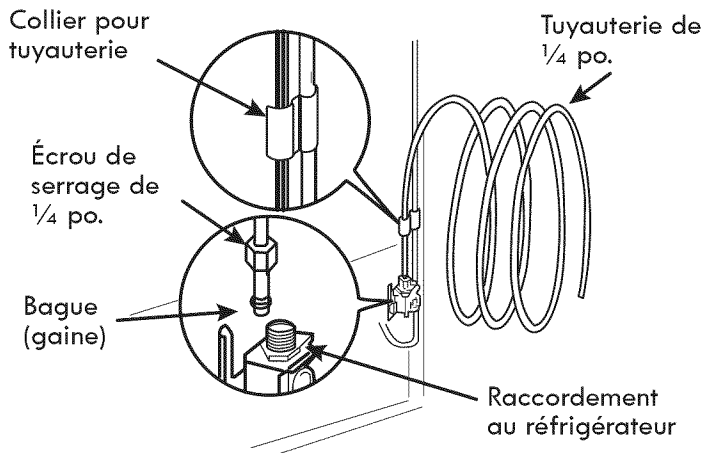


**9. RACCORDEZ LE TUYAU AU RÉFRIGÉRATEUR**

**⚠ AVERTISSEMENT**

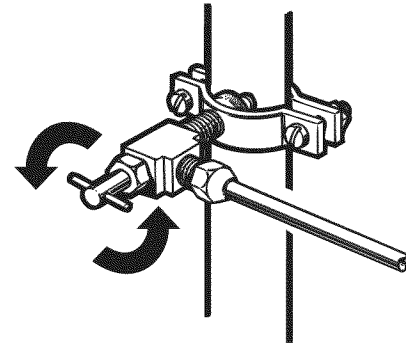
Avant de faire la connexion au réfrigérateur, assurez-vous que le cordon d'alimentation électrique ne soit pas branché dans la prise murale.

1. Retirez le bouchon flexible en plastique de la vanne d'eau.
2. Placez l'écrou de serrage et la bague (gaine) à l'extrémité de la tuyauterie, tel qu'indiqué.
3. Insérez l'extrémité du tuyau en cuivre dans la connexion, le plus loin possible. Tout en tenant la tuyauterie, serrez le raccord.



**10. OUVREZ L'EAU SUR LA VANNE D'ARRÊT**

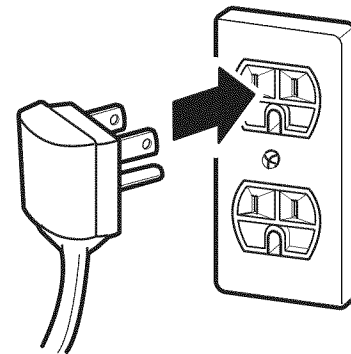
Serrez les raccords présentant une fuite.



**⚠ ATTENTION :** Vérifiez l'absence de fuite sur les raccordements à la conduite d'eau.

**11. BRANCHEZ LE RÉFRIGÉRATEUR**

Disposez le cheminement de la tuyauterie de façon à éviter les vibrations contre l'arrière du réfrigérateur ou contre le mur. Repoussez le réfrigérateur vers le mur.



**12. DÉMARREZ LA MACHINE À GLAÇONS**

Mettez en marche la fabrique de glace via le panneau de commande.

La machine à glaçons commence à fonctionner jusqu'à ce qu'elle atteigne sa température de fonctionnement de 15°F (-9°C) ou une température inférieure. Elle fonctionnera ensuite automatiquement si la touche Marche/Arrêt de la fabrique de glace est réglée sur Marche.

# GUIDE DE DÉPANNAGE

Avant d'entreprendre des opérations de dépannage, veuillez vous assurer que les conditions basiques de fonctionnement suivantes sont respectées :

Débit Opérationnel	0.5 gpm (1.9 lpm)
Arrivée d'Eau	Eau Potable
Pression Hydraulique	20-120 psi (138 -827 kPa)
Limites de Températures Ambiantes de Fonctionnement	55°F - 110°F
Valeurs Électriques	115 Volts, 60 Hz, CA uniquement, fusible de 15 ou 20 ampères

## REFROIDISSEMENT

Problème	Causes possibles	Solutions
Les compartiments Réfrigérateur et Congélateur ne refroidissent pas	Le contrôle du réfrigérateur est réglé sur ARRÊT (sur certains modèles)	Réglez le contrôle sur MARCHE. Veuillez vous reporter à la section Réglage du Contrôle pour le paramétrage approprié des températures.
	Le réfrigérateur est réglé sur le mode Démo	Le mode Démo permet un fonctionnement normal de l'éclairage et de l'affichage du panneau de contrôle mais désactive le refroidissement pour économiser l'énergie durant l'exposition en magasin. Veuillez vous reporter à la section Réglage du Contrôle pour les instructions de désactivation du mode Démo.
	Le réfrigérateur est en cycle de Dégivrage	Durant le cycle de dégivrage, la température de chaque compartiment peut légèrement augmenter. Attendez 30 minutes et assurez-vous que la température est revenue à sa valeur correcte une fois le cycle de dégivrage complété.
	Le réfrigérateur a récemment été déplacé	Si le réfrigérateur a été débranché ou couché pendant une longue période, celui-ci doit être placé à la verticale pendant 24h avant d'être mis sous tension.
Le système de refroidissement est trop puissant	Le réfrigérateur remplace un ancien modèle	Les réfrigérateurs modernes nécessitent un temps de fonctionnement plus long mais consomment moins d'énergie grâce à une technologie plus efficace.
	Le réfrigérateur vient d'être branché ou remis sous tension	Le réfrigérateur mettra 24h à refroidir complètement
	La porte a souvent été ouverte ou beaucoup d'aliments / des aliments chauds y ont été placés	L'ajout d'aliments ou l'ouverture de la porte réchauffe le réfrigérateur, ce qui demande au compresseur de fonctionner plus longtemps pour refroidir les compartiments. Afin de conserver l'énergie, essayez de sortir tout ce dont vous avez besoin du réfrigérateur en une seule fois, rangez vos aliments de manière organisée afin de les localiser facilement, et fermez la porte dès que les aliments sont sortis. (Veuillez vous reporter à la section Guide de Stockage des Aliments)
	Les portes ne sont pas complètement fermées	Poussez les portes fermement. Si elles ne se ferment pas complètement, reportez vous à la section Les portes ne se ferment pas complètement ou s'ouvrent toutes seules de la partie Dépannage des Pièces & Fonctions.
	Le réfrigérateur est installé dans un environnement chaud	Le compresseur fonctionnera plus longtemps dans un environnement chaud. Lorsque la température ambiante est normale (70°F), votre compresseur doit fonctionner entre 40% et 80% du temps. Si la pièce est plus chaude, attendez-vous à ce qu'il tourne encore plus souvent. Le réfrigérateur ne doit pas être mis en fonction lorsque la température ambiante est supérieure à 110°F.
	Le condensateur / couvercle arrière est obstrué	Utilisez un aspirateur muni d'un embout pour nettoyer la protection du condensateur et la ventilation. Ne pas ôter le panneau recouvrant la bobine du condensateur.

## REFROIDISSEMENT

Problème	Causes possibles	Solutions
Le compartiment Réfrigérateur ou Congélateur est trop chaud	Le réfrigérateur a été installé récemment	24h peuvent être nécessaires pour que chaque compartiment atteigne la température désirée
	Les bouches d'aération sont obstruées	Réorganisez les éléments afin de permettre la libre circulation de l'air à l'intérieur du compartiment. Veuillez vous reporter au diagramme de circulation de l'air dans la section Utilisation de votre Réfrigérateur.
	Les portes sont souvent ouvertes ou restent ouvertes pendant longtemps.	Lorsque les portes sont souvent ouvertes ou restent ouvertes pendant longtemps, de l'air chaud et humide entre dans le compartiment. La température et le niveau d'humidité augmentent ainsi à l'intérieur du compartiment. Pour limiter cet effet, réduisez la fréquence et la durée d'ouverture des portes.
	L'appareil est installé dans un endroit chaud	Le réfrigérateur ne doit pas être mis en fonction si la température ambiante est supérieure à 110°F.
	Beaucoup d'aliments ou des aliments chauds ont été placés dans l'un des compartiments	L'ajout d'aliments augmente la température du compartiment, ce qui entraîne le déclenchement du système de refroidissement. Pour limiter cet effet, laissez les aliments chauds refroidir à température ambiante avant de les placer dans le réfrigérateur.
	Les portes ne sont pas correctement fermées	Veuillez vous reporter à la section Les portes ne se ferment pas correctement ou s'ouvrent toutes seules de la partie Dépannage des Pièces & Fonctions
	Le contrôle de la température n'est pas réglé correctement	Si la température est trop chaude, ajustez le contrôle une position à la fois et attendez que la température se stabilise. Veuillez vous reporter à la section Réglage du Contrôle pour plus d'informations
	Le cycle de dégivrage vient de se terminer	Durant le cycle de dégivrage, la température de chaque compartiment peut légèrement augmenter. Attendez 30 minutes et assurez-vous que la température est revenue à sa valeur correcte une fois le cycle de dégivrage complété.
De l'humidité se forme à l'intérieur	Les portes sont trop souvent ouvertes ou restent ouvertes trop longtemps	Lorsque les portes sont souvent ouvertes ou restent ouvertes pendant longtemps, de l'air chaud et humide entre dans le compartiment. La température et le niveau d'humidité augmentent ainsi à l'intérieur du compartiment. Pour limiter cet effet, réduisez la fréquence et la durée d'ouverture des portes.
	Les portes ne sont pas correctement fermées	Veuillez vous reporter à la section Les portes ne se ferment pas correctement de la partie Dépannage
	L'atmosphère est humide	Une atmosphère humide permet à plus d'humidité de pénétrer dans le compartiment lorsque la porte est ouverte, ce qui génère de la condensation et du givre. Vous pouvez contrôler l'humidité qui pénètre dans le réfrigérateur en maintenant un niveau d'humidité approprié à votre domicile
	Le cycle de dégivrage vient de se terminer	Durant le cycle de dégivrage, la température de chaque compartiment peut légèrement augmenter. Attendez 30 minutes et assurez-vous que la température est revenue à sa valeur correcte une fois le cycle de dégivrage complété.
	Les aliments ne sont pas correctement emballés	Les aliments stockés sans couvercle ni emballage et les conteneurs humides peuvent conduire à une accumulation d'humidité dans les compartiments. Essayez bien tous les compartiments et rangez les aliments dans des emballages hermétiques pour prévenir la condensation et le givre

## REFROIDISSEMENT / GLACE &amp; EAU

Problème	Causes possibles	Solutions
Les aliments congèlent dans le compartiment réfrigérateur	Des aliments avec une teneur en eau importante ont été placés à proximité des bouches d'aération	Réorganisez les aliments avec une teneur en eau importante loin des bouches d'aération
	Le contrôle de la température du réfrigérateur est mal réglé	Si la température est trop froide, ajustez le contrôle une position à la fois et attendez que la température se stabilise. Veuillez vous reporter à la section Réglage du Contrôle pour plus d'informations
	Le réfrigérateur est installé dans un endroit froid	Lorsque le réfrigérateur est mis en fonction sous une température ambiante inférieure à 41°F (5°C), les aliments peuvent geler dans le compartiment réfrigérateur. Le réfrigérateur ne doit pas être mis en fonction sous une température ambiante inférieure à 55°F (13°C).
Du givre ou des cristaux de glace se forment sur les aliments surgelés (à l'extérieur de l'emballage)	La porte est souvent ouverte ou reste ouverte pendant longtemps	Lorsque les portes sont souvent ouvertes ou restent ouvertes pendant longtemps, de l'air chaud et humide entre dans le compartiment. La température et le niveau d'humidité augmentent ainsi à l'intérieur du compartiment. Pour limiter cet effet, réduisez la fréquence et la durée d'ouverture des portes.
	La porte ne se ferme pas correctement	Veuillez vous reporter à la section Les portes ne se ferment pas correctement de la partie Dépannage
Le compartiment Réfrigérateur ou Congélateur est trop chaud	Mauvais réglage du contrôle de la température	Si la température est trop froide, ajustez le contrôle une position à la fois et attendez que la température se stabilise. Veuillez vous reporter à la section Réglage du Contrôle pour plus d'informations
Du givre ou des cristaux de glace se forment sur les aliments surgelés (à l'intérieur de l'emballage hermétique)	La condensation issue d'aliments à haute teneur en eau a gelé à l'intérieur de l'emballage alimentaire.	Ce phénomène est normal pour des aliments à haute teneur en eau.
	Des aliments ont été laissés dans le congélateur pendant une longue période	Ne stockez pas des aliments à haute teneur en eau dans le congélateur pendant une longue période
Le distributeur de glace ne produit pas suffisamment de glace	La demande dépasse la capacité de production de glace	Le distributeur de glace peut produire approximativement 70-182 glaçons par période de 24 heures
	L'arrivée d'eau du domicile n'est pas connectée, le robinet n'est pas complètement ouvert ou la valve est bouchée	Connectez le réfrigérateur à une alimentation d'eau froide avec une pression adéquate et ouvrez le robinet d'eau complètement.  Si le problème persiste, il sera peut-être nécessaire de contacter un plombier.
	Le filtre à eau est épuisé	Il est recommandé de remplacer le filtre à eau: <ul style="list-style-type: none"> <li>• Tous les six mois environ</li> <li>• Lorsque le voyant du filtre à eau s'allume</li> <li>• Lorsque la sortie de la distribution d'eau diminue</li> <li>• Lorsque les cubes de glace sont plus petits que la normale</li> </ul>
	La pression de l'arrivée d'eau du domicile est trop faible	La pression de l'eau doit être entre 20 et 120 psi pour les modèles sans filtre et entre 40 et 120 psi pour les modèles avec filtre.  Si le problème persiste, il peut être nécessaire de contacter un plombier ou d'installer une pompe d'appoint pour compenser la pression faible.
	Le système de filtrage par osmose inversée est en cours de fonctionnement	Les systèmes de filtrage par osmose inversée peuvent réduire la pression de l'eau en dessous de sa valeur minimale et occasionner un dysfonctionnement du distributeur de glace. (Veuillez vous reporter à la section pression de l'eau).
	Le tuyau reliant le réfrigérateur au robinet d'approvisionnement est plié	Le tuyau peut se plier lorsque le réfrigérateur est déplacé lors de l'installation ou du nettoyage, provoquant une réduction du débit d'eau. Redressez ou réparez la ligne d'arrivée d'eau et disposez-la afin d'éviter un nouveau pliage

## GLACE &amp; EAU

Problème	Causes possibles	Solutions
Le distributeur de glace ne produit pas suffisamment de glace (suite)	Les portes sont trop souvent ouvertes ou restent ouvertes trop longtemps	Lorsque les portes de l'appareil sont souvent ouvertes, l'air ambiant va réchauffer le réfrigérateur et empêcher le maintien de la température programmée de l'appareil. La diminution de la température programmée peut résoudre ce problème, tout comme la réduction du nombre d'ouvertures des portes
	Les portes ne se ferment pas complètement	Si les portes ne sont pas correctement fermées, la production de glace en sera affectée. Veuillez vous reporter à la section Les portes ne se ferment pas correctement ou s'ouvrent toutes seules de la partie Dépannage des Pièces & Fonctions pour plus d'informations.
	Le réglage de la température du congélateur est trop chaud.	La température recommandée du le compartiment congélateur pour la production normale de glace est de 0°F. Si la température du congélateur est plus chaude, la production de glace en sera affectée.
L'eau est servie trop lentement	Le filtre à eau est épuisé	Il est recommandé de remplacer le filtre à eau : <ul style="list-style-type: none"> <li>• Tous les six mois environ</li> <li>• Lorsque le voyant du filtre à eau s'allume</li> <li>• Lorsque la sortie de la distribution d'eau diminue</li> <li>• Lorsque les cubes de glace sont plus petits que la normale</li> </ul>
	Le système de filtrage par osmose inversée est en cours de fonctionnement	Les systèmes de filtrage par osmose inversée peuvent réduire la pression de l'eau en dessous de sa valeur minimale et occasionner un dysfonctionnement du distributeur de glace.  Si le problème persiste, il peut être nécessaire de contacter un plombier ou d'installer une pompe d'appoint pour compenser la pression faible.
	La pression de l'arrivée d'eau du domicile est trop faible	La pression de l'eau doit être entre 20 et 120 psi pour les modèles sans filtre et entre 40 et 120 psi pour les modèles avec filtre.  Si le problème persiste, il peut être nécessaire de contacter un plombier ou d'installer une pompe d'appoint pour compenser la pression faible.
La distribution de glace ne se fait pas	Les portes ne sont pas fermées correctement	La distribution de glace ne se fait pas si les portes du réfrigérateur sont ouvertes
	Utilisation peu fréquente du distributeur	L'utilisation peu fréquente du distributeur de glace conduit les glaçons à se coller avec le temps, ce qui empêche leur distribution. Veuillez vérifier que des glaçons ne sont pas bloqués/collés dans le bac. S'ils le sont, cassez les glaçons pour permettre le fonctionnement correct du distributeur.
	La glissière de distribution est obstruée par le givre ou des morceaux de glace	Enlevez le bac et nettoyez la glissière avec un ustensile en plastique pour supprimer le givre ou les morceaux de glace. La distribution de glace en cubes peut également aider à prévenir la formation de givre ou de morceaux de glace.
	L'affichage du distributeur est verrouillé	Maintenez le bouton Verrouillage enfoncé pendant trois secondes pour déverrouiller le panneau de contrôle et le distributeur.
	Le bac à glace est vide	24 heures peuvent être nécessaires pour que chaque compartiment atteigne la température désirée et que le distributeur de glace se mette à fonctionner. Assurez-vous que le contrôle (levier / capteur) n'est pas obstrué.  Une fois que la réserve de glace dans le bac est complètement épuisée, la fabrication de glace supplémentaire peut prendre jusqu'à 90 minutes, et environ 24h pour le remplissage complet du bac

## GLACE &amp; EAU

Problème	Causes possibles	Solutions
Le distributeur de glace ne produit pas de glace	Le réfrigérateur vient d'être installé ou le distributeur de glace vient d'être branché	24 heures peuvent être nécessaires pour que chaque compartiment atteigne la température désirée et que le distributeur de glace se mette à fonctionner.
	Le distributeur de glace n'est pas mis en marche	Vérifiez que la touche ON/OFF(Marche/Arrêt) de la fabrique de glace est réglée sur Marche.
	Le réfrigérateur n'est pas relié à l'arrivée d'eau, ou la vanne d'arrêt n'est pas ouverte.	Branchez le réfrigérateur à l'arrivée d'eau et ouvrez complètement la vanne d'arrêt.
	Le dispositif d'arrêt automatique (levier) de la fabrique de glace est obstrué.	Si votre distributeur est équipé d'un levier de contrôle de la glace, assurez-vous que celui-ci pivote normalement.
	Le système de filtrage par osmose inversée est connecté à votre arrivée d'eau froide.	Les systèmes de filtrage par osmose inversée peuvent réduire la pression de l'eau en dessous de sa valeur minimale et occasionner un dysfonctionnement du distributeur de glace. (Veuillez vous reporter à la section pression de l'eau).
La distribution d'eau ne se fait pas	Le réfrigérateur vient d'être installé ou la ligne d'arrivée d'eau vient d'être connectée	Servez 2,5 gallons d'eau (laissez couler pendant environ 5 minutes) pour évacuer l'air emprisonné et les éléments contaminants du système. Ne servez pas les 2,5 gallons en une seule fois. Actionnez le bloc de distribution pendant 30 secondes puis relâchez-le pendant 60 secondes, par cycles
	Le panneau de distribution est verrouillé	Maintenez le bouton Verrouillage enfoncé pendant trois secondes pour déverrouiller le panneau et le distributeur
	Le distributeur n'est pas réglé pour la distribution d'eau	Le distributeur peut être réglé pour la distribution de glace ou d'eau. Assurez-vous que le panneau de contrôle est réglé correctement. Appuyez sur le bouton Eau du panneau de contrôle pour servir de l'eau.
	Les portes du réfrigérateur ou du congélateur ne sont pas fermées correctement	La distribution d'eau ne se fait pas si les portes du réfrigérateur sont ouvertes
	Le filtre à eau vient d'être enlevé ou remplacé	Après le remplacement du filtre à eau, servez 2,5 gallons d'eau (laissez couler pendant environ 5 minutes) pour évacuer l'air emprisonné et les éléments contaminants du système. Ne servez pas les 2,5 gallons en une seule fois. Actionnez le bloc de distribution pendant 30 secondes puis relâchez-le pendant 60 secondes, par cycles
	Le tuyau reliant le réfrigérateur au robinet d'approvisionnement est plié	Le tuyau peut se plier lorsque le réfrigérateur est déplacé lors de l'installation ou du nettoyage, provoquant une réduction du débit d'eau. Redressez ou réparez la ligne d'arrivée d'eau et disposez-la afin d'éviter un nouveau pliage
	L'arrivée d'eau du domicile n'est pas connecté, le robinet n'est pas complètement ouvert ou la valve est bouchée	Connectez le réfrigérateur à une alimentation d'eau et ouvrez le robinet d'eau complètement.  Si le problème persiste, il sera peut-être nécessaire de contacter un plombier.

## GLACE &amp; EAU

Problème	Causes possibles	Solutions
La glace a un mauvais goût ou une mauvaise odeur	L'arrivée d'eau contient des minéraux comme du soufre	L'installation d'un filtre à eau est peut-être nécessaire pour éliminer les problèmes de goût et d'odeur.  <b>NOTE :</b> Dans certains cas, un filtre à eau peut se révéler insuffisant. Il n'est pas toujours possible d'éliminer les minéraux / goût / odeur présents dans l'arrivée d'eau
	Le distributeur de glace vient d'être installé	Jetez les premiers tas de glace afin d'éviter la glace décolorée ou ayant mauvais goût.
	La glace est stockée depuis trop longtemps	La glace se tasse, devient trouble ou prend un goût désagréable lorsqu'elle est stockée trop longtemps. Jetez l'ancienne glace et fabriquez-en une nouvelle réserve.
	Les aliments n'ont pas été rangés de manière appropriée dans un des compartiments	Réemballez les aliments. Les odeurs peuvent se fixer à la glace si les aliments ne sont pas emballés correctement.
	L'intérieur du réfrigérateur doit être nettoyé	Veillez vous reporter à la section Entretien & Nettoyage pour plus d'informations
	Le bac à glace doit être nettoyé	Videz et lavez le bac (jetez les vieux glaçons). Assurez-vous que le bac est complètement sec avant de le réinstaller.
L'eau distribuée est chaude	Le réfrigérateur vient d'être installé	Laissez le réfrigérateur tourner pendant 24h après l'installation pour permettre au réservoir de stockage de l'eau de refroidir complètement.
	Le distributeur d'eau vient d'être utilisé et le réservoir de stockage est vide	Selon votre modèle, la capacité du réservoir de stockage va de 20 à 30 onces.
	Le distributeur n'a pas été utilisé pendant plusieurs heures	Si le distributeur n'a pas été utilisé pendant plusieurs heures, le premier verre servi peut être tiède. Jetez les 10 premiers onces.
	Le réfrigérateur est connecté à l'arrivée d'eau chaude	Assurez-vous que le réfrigérateur est connecté à l'arrivée d'eau froide  <b>⚠ AVERTISSEMENT :</b> Le distributeur de glace peut être endommagé si vous le connectez à une arrivée d'eau chaude
L'eau a un mauvais goût ou une mauvaise odeur	L'arrivée d'eau contient des minéraux comme du soufre	L'installation d'un filtre à eau est peut-être nécessaire pour éliminer les problèmes de goût et d'odeur.
	Le filtre à eau est épuisé	Il est recommandé de remplacer le filtre à eau : <ul style="list-style-type: none"> <li>• Tous les six mois environ</li> <li>• Lorsque le voyant du filtre à eau s'allume</li> <li>• Lorsque la sortie de la distribution d'eau diminue</li> <li>• Lorsque les cubes de glace sont plus petits que la normale</li> </ul>
	Le réfrigérateur vient d'être installé	Servez 2,5 gallons d'eau (laissez couler pendant environ 5 minutes) pour évacuer l'air emprisonné et les éléments contaminants du système. Ne servez pas les 2,5 gallons en une seule fois. Actionnez le bloc de distribution pendant 30 secondes puis relâchez-le pendant 60 secondes, par cycles
Le distributeur de glace produit trop de glace	Le dispositif d'arrêt automatique (levier) de la fabrique de glace est obstrué.	Videz la réserve à glaçons. Si votre fabrique de glace est équipée d'un levier d'arrêt automatique, veillez à ce que ce dernier se déplace librement. Réinstallez la réserve à glaçons et patientez 24 heures pour confirmer le bon fonctionnement.

## BRUIT

Problème	Causes possibles	Solutions
Clic	Le contrôle du dégivrage cliquète lorsque le cycle de dégivrage automatique se met en route. Le contrôle de thermostat (ou le contrôle du réfrigérateur sur certains modèles) cliquète aussi en début et en fin de cycle.	Fonctionnement normal
Cliquetis	Les cliquetis peuvent provenir du débit du liquide réfrigérant, de l'arrivée d'eau à l'arrière de l'appareil, ou des éléments rangés au-dessus ou autour du réfrigérateur	Fonctionnement normal
	Le réfrigérateur n'est pas posé au sol de manière stable	Le sol flanche ou est inégal, ou les pieds de nivellement doivent être ajustés sous le réfrigérateur. Veuillez vous reporter à la section Alignement de la Porte
	Le compresseur linéaire du réfrigérateur s'est enrayé en cours de fonctionnement	Fonctionnement normal
Sifflement	Le moteur du ventilateur de l'évaporateur fait circuler de l'air à travers les compartiments du réfrigérateur et du congélateur.	Fonctionnement normal
	De l'air est envoyé sur le condensateur par le ventilateur du condensateur	Fonctionnement normal
Gargouillement	Liquide réfrigérant s'écoulant à travers le système de refroidissement	Fonctionnement normal
Pop	Contraction et expansion des parois internes dues aux changements de température	Fonctionnement normal
Grésillement	Eau s'égouttant sur le radiateur de dégivrage lors du cycle de dégivrage	Fonctionnement normal
Vibration	Si le côté ou l'arrière du réfrigérateur touche un meuble ou un mur, certaines des vibrations normales de l'appareil peuvent rendre un son audible	Pour supprimer ce bruit, assurez-vous que les côtés et l'arrière du réfrigérateur ne peuvent pas vibrer contre un meuble ou un mur.
Égouttement	Eau s'écoulant à travers l'égouttoir au cours du cycle de dégivrage	Fonctionnement normal
Pulsations ou son aigu	Votre réfrigérateur est conçu pour fonctionner de manière plus efficace pour garder vos aliments à la bonne température. Le compresseur à haute performance peut amener votre nouveau réfrigérateur à fonctionner plus régulièrement, mais il est toujours plus économe en énergie que les anciens modèles. Il est normal d'entendre des pulsations ou un son aigu au cours du fonctionnement de votre réfrigérateur.	Fonctionnement normal

## PIÈCES &amp; FONCTIONS

Problème	Causes possibles	Solutions
Les portes ne se ferment pas complètement ou s'ouvrent toutes seules	Des emballages alimentaires bloquent la fermeture de la porte	Réorganisez les conteneurs alimentaires sur la porte et sur les étagères pour dégager la zone de fermeture
	Le bac à glace, le couvercle du bac à légume, les bacs, les étagères, les tiroirs ou les paniers ne sont pas positionnés correctement.	Poussez les bacs jusqu'au fond et placez le couvercle du bac à légume, les bacs, les étagères, les tiroirs et les paniers dans leur position normale. Veuillez consulter la section Utilisation de votre Réfrigérateur pour plus d'informations.
	Les portes ont été enlevées durant l'installation de l'appareil et n'ont pas été correctement remises en place	Enlevez et repositionnez les portes de la manière décrite dans la section Enlever et Repositionner les Poignées et les Portes du Réfrigérateur.
	Le réfrigérateur n'est pas positionné bien à l'horizontale	Veuillez vous reporter à la section Alignement des Portes dans la partie Installation du Réfrigérateur pour positionner correctement celui-ci
Les portes sont difficiles à ouvrir	Les joints sont sales ou collants	Nettoyez les joints et les surfaces de contact. Frottez un chiffon avec du lustre ou de la cire pour meubles sur les joints après les avoir nettoyés
	La porte vient d'être refermée	Lorsque vous ouvrez la porte, de l'air tiède entre dans le réfrigérateur. À mesure que l'air tiède se refroidit, il peut créer un effet d'aspiration. Si la porte est difficile à ouvrir, veuillez patienter une minute pour permettre à la pression de l'air de s'équilibrer, et vérifiez que la porte s'ouvre plus facilement.
Le réfrigérateur vacille ou paraît instable	Les pieds de nivellement ne sont pas correctement ajustés	Veuillez vous reporter à la section Positionnement et Alignement des Portes
	Le sol n'est pas égal	Il peut être nécessaire de placer des cales sous les pieds de nivellement pour terminer l'installation
L'éclairage ne fonctionne pas	Panne des diodes d'éclairage interne	La lampe du compartiment du réfrigérateur est une diode d'éclairage interne, et sa maintenance doit être réalisée par un technicien qualifié. Veuillez vous reporter à la section Remplacement d'une ampoule.
Le réfrigérateur possède une odeur inhabituelle	Le filtre à air doit peut-être être positionné sur la valeur MAX ou être remplacé	Positionnez le filtre à air sur la valeur MAX. Si l'odeur persiste pendant plus de 24h, le filtre doit probablement être changé. Veuillez vous reporter à la section Remplacement du Filtre à Air pour les consignes de remplacement.
L'intérieur du réfrigérateur est couvert de poussière ou de suie.	Le réfrigérateur est placé près d'une flamme ou d'un feu, comme une cheminée, un poêle à bois ou une bougie.	Contrôlez et déplacez le cas échéant le réfrigérateur pour qu'il ne soit pas à proximité d'une flamme ou d'un feu (cheminée, un poêle à bois ou une bougie).

## Kenmore Connect™ (certains modèles uniquement)

Si vous rencontrez un problème avec votre réfrigérateur, vous pouvez transmettre des informations via votre téléphone en contactant l'équipe Kenmore Connect™. Vous pourrez ainsi parler directement à l'un de nos techniciens. Le technicien enregistre les informations transmises par votre réfrigérateur et s'en sert pour analyser le problème, offrant un diagnostic rapide et efficace.

Si vous rencontrez des problèmes avec votre réfrigérateur, au aux États-Unis, composez le 1-844-553-6667. and au Canada, composez le 1-800-469-4663.

N'utilisez la fonction Kenmore Connect™ que si l'agent de l'équipe Kenmore Connect™ vous le demande.

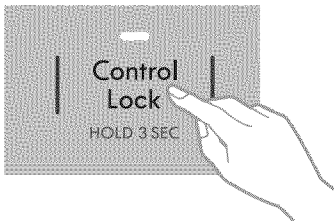
Les bruits de transmission que vous entendrez sont normaux et ressemblent à ceux émis par un fax.

La fonction Kenmore Connect™ ne peut être activée que si votre réfrigérateur est sous tension. S'il est impossible de mettre en marche votre réfrigérateur, le dépannage devra se faire sans la fonction Kenmore Connect™.

## Utilisation de la fonction Kenmore Connect™

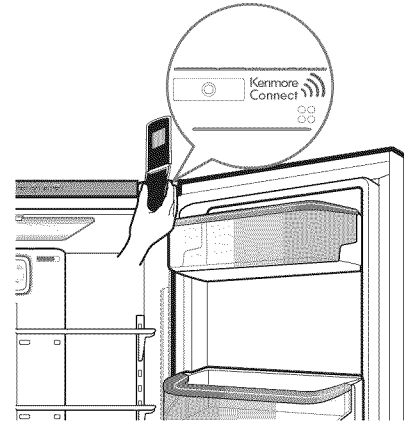
Tout d'abord, appelez le 1-844-553-6667(États-Unis) ou 1-800-469-4663(Canada). Si le numéro de téléphone que vous utilisez est enregistré et associé à votre réfrigérateur, vous serez rapidement mis en relation avec un agent de l'équipe Kenmore Connect™. N'utilisez la fonction Kenmore Connect™ que si l'agent de l'équipe Kenmore Connect™ vous le demande.

1. Verrouillez l'afficheur. Pour verrouiller l'afficheur, maintenez enfoncée la touche de verrouillage des commandes pendant 3 secondes. (Si l'afficheur est déjà verrouillé, vous devez désactiver le verrou, puis le réactiver.)

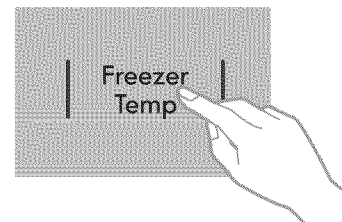


2. Ouvrez la porte droite du réfrigérateur.

3. Lorsque l'agent du centre d'appels vous le demande, maintenez le micro de votre téléphone devant le haut-parleur situé sur la charnière droite de la porte du réfrigérateur.



4. Maintenez enfoncée la touche de température du congélateur pendant trois secondes tout en maintenant votre téléphone près du haut-parleur.



5. Relâchez-la dès que vous aurez entendu trois signaux sonores.
6. Maintenez le téléphone en place jusqu'à la fin de la transmission sonore. Le temps restant est décompté dans l'afficheur. Une fois le compte à rebours et la transmission sonore terminés, reprenez votre conversation avec le technicien qui pourra alors vous aider à utiliser les informations fournies pour l'analyse.

### REMARQUE:

- Pour des résultats optimaux, ne déplacez pas le téléphone pendant la transmission des signaux sonores.
- Si l'agent du centre d'appels n'est pas en mesure d'obtenir un enregistrement précis des données, il est possible qu'il vous demande de réessayer.

# Kenmore®

For Sears Home Services in-home repair  
of all Kenmore major appliances.

For the replacement parts, accessories and  
Use & Care Guides that you need to do-it-yourself.

For professional installation of major home appliances  
and items like air conditioners and water heaters.

## 1-844-553-6667

[www.kenmore.com](http://www.kenmore.com)

In Canada 1-800-469-4663

[www.sears.ca](http://www.sears.ca)

---

Call anytime for the location of your nearest  
Sears Parts & Repair Service Center

1-800-488-1222 (U.S.A.)

1-800-469-4663 (Canada)

---

To purchase a protection agreement on a serviceable product:

1-800-827-6655 (U.S.A.)

1-800-361-6665 (Canada)

---

Para pedir servicio de reparación  
a domicilio, y ordenar piezas:

1-888-SU-HOGAR®

(1-888-784-6427)

[www.kenmore.com](http://www.kenmore.com)

Au Canada pour service en français:

1-800-LE-FOYER<sup>MC</sup>

(1-800-533-6937)

[www.sears.ca](http://www.sears.ca)



**Use & Care Guide**  
**Manual de Uso y Cuidado**  
**Guide d'Utilisation et d'Entretien**  
English / Español / French

Models/Modelos/Modèles: 795.7998\*, 7999\*

# Kenmore PRO<sup>®</sup>

## Bottom Freezer Refrigerator

### Congelador inferior refrigerador

### Congélateur Inférieur Réfrigérateur

\* = color number, número de color, le numéro de la couleur



MFL69265401

Sears Brands Management Corporation  
Hoffman Estates, IL 60179 U.S.A.  
[www.kenmore.com](http://www.kenmore.com)

Sears Canada Inc.  
Toronto, Ontario, Canada M5B 2C3  
[www.sears.ca](http://www.sears.ca)



# TABLE OF CONTENTS

<b>Warranty</b> .....	3	<b>► Freezer Section</b>	
<b>Protection Agreements</b> .....	4	Extra Ice Bin .....	27
<b>Important Safety Instructions</b> .....	5-7	Pullout Drawer .....	28
<b>Electrical &amp; Grounding Requirements</b> .....	7	Durabase.....	28
<b>Parts and Features</b> .....	8	Durabase Divider.....	28
<b>Refrigerator Installation</b> .....	9-16	<b>Water Filter</b> .....	29-32
Unpacking Your Refrigerator.....	9	<b>Care And Cleaning</b> .....	33-34
Installation.....	10	General Cleaning Tips .....	33
Removing/Replacing Your Refrigerator and Freezer Handles, Doors and Drawers.....	11-15	Exterior .....	33
Leveling and Door Alignment .....	16	Inside Walls .....	33
<b>Using Your Refrigerator</b> .....	17-28	Door Liner And Gaskets.....	33
Setting the Controls .....	17-19	Plastic Parts.....	33
In-Door Ice Bin .....	20	Condenser Coils.....	33
Automatic Icemaker .....	21-22	Light Bulb Replacement .....	34
Food Storage Guide .....	23	Power Interruptions .....	34
<b>► Refrigerator Section</b>		When You Go On Vacation.....	34
Water Dispenser .....	24	When You Move.....	34
Refrigerator Shelves.....	25	<b>Connecting the Water Line</b> .....	35-37
Humidity Controlled Crisper.....	26	<b>Troubleshooting Guide</b> .....	38-45
Temperature Controlled Pantry Drawer .....	26	<b>Kenmore Connect™</b> .....	46
Door Bin .....	26	<b>Service</b> .....	Back Cover
Air Filter.....	27		

# WARRANTY



## REFRIGERATOR WARRANTY

### KENMORE PRO LIMITED WARRANTY

WITH PROOF OF SALE, the following warranty coverage applies when this appliance is correctly installed, operated and maintained according to all supplied instructions.

FOR ONE YEAR from the date of sale this appliance is warranted against defects in material or workmanship. A defective appliance will receive free repair or replacement at option of seller. This warranty coverage applies for only 90 days from the sale date in the United States, and is void in Canada, if the appliance is ever used for other than private household purposes.

FOR FIVE YEARS from the date of sale, the sealed refrigerant system of this appliance is warranted against defects in material or workmanship. If a system part is defective within the first year, a new part will be supplied and installed at no charge. If a system part is defective after the first year, a new part will be supplied but not installed at no charge. You are responsible for the labor cost of part installation after the first year from the date of sale. This warranty coverage applies for only one year from the sale date in the United States, and is void in Canada, if the appliance is ever used for other than private household purposes.

FOR TEN YEARS from the date of sale, the linear compressor of this appliance is warranted against defects in material or workmanship. If the compressor is defective within the first year, a new one will be supplied and installed at no charge. If the compressor is defective after the first year, a new one will be supplied but not installed at no charge. You are responsible for the labor cost of part installation after the first year from the date of sale. This warranty coverage applies for only two years from the sale date in the United States, and is void in Canada, if the appliance is ever used for other than private household purposes.

For warranty coverage details to obtain free repair or replacement, visit the web page: [www.kenmore.com/warranty](http://www.kenmore.com/warranty)

#### **This warranty covers ONLY defects in material and workmanship, and will NOT pay for:**

1. Expendable items that can wear out from normal use, including but not limited to filters, belts, bags or screw-in base light bulbs.
2. A service technician to clean or maintain this appliance, or to instruct the user in correct appliance installation, operation and maintenance.
3. Service calls to correct appliance installation not performed by Sears authorized service agents, or to repair problems with house fuses, circuit breakers, house wiring, and plumbing or gas supply systems resulting from such installation.
4. Damage to or failure of this appliance resulting from installation not performed by Sears authorized service agents, including installation that was not in accord with electrical, gas or plumbing codes.
5. Damage to or failure of this appliance, including discoloration or surface rust, if it is not correctly operated and maintained according to all supplied instructions.
6. Damage to or failure of this appliance, including discoloration or surface rust, resulting from accident, alteration, abuse, misuse or use for other than its intended purpose.
7. Damage to or failure of this appliance, including discoloration or surface rust, caused by the use of detergents, cleaners, chemicals or utensils other than those recommended in all instructions supplied with the product.
8. Damage to or failure of parts or systems resulting from unauthorized modifications made to this appliance.
9. Service to an appliance if the model and serial plate is missing, altered, or cannot easily be determined to have the appropriate certification logo.

#### **Disclaimer of implied warranties; limitation of remedies**

Customer's sole and exclusive remedy under this limited warranty shall be product repair or replacement as provided herein. Implied warranties, including warranties of merchantability or fitness for a particular purpose, are limited to one year on the appliance, five years on the sealed system, and ten years on the linear compressor, or the shortest period allowed by law. Seller shall not be liable for incidental or consequential damages. Some states and provinces do not allow the exclusion or limitation of incidental or consequential damages, or limitation on the duration of implied warranties of merchantability or fitness, so these exclusions or limitations may not apply to you.

This warranty applies only while this appliance is used in the United States or Canada\*.

This warranty gives you specific legal rights, and you may also have other rights which vary from state to state.

\* In-home repair service is not available in all Canadian geographical areas, nor will this warranty cover user or servicer travel and transportation expenses if this product is located in a remote area (as defined by Sears Canada Inc.) where an authorized servicer is not available.

**Sears Brands Management Corporation, Hoffman Estates, IL 60179  
Sears Canada Inc., Toronto, Ontario, Canada M5B 2C3**

# PROTECTION AGREEMENTS

## Master Protection Agreements

Congratulations on making a smart purchase. Your new Kenmore Pro® product is designed and manufactured for years of dependable operation. But like all products, it may require preventive maintenance or repair from time to time. That's when having a Master Protection Agreement can save you money and aggravation.

The Master Protection Agreement also helps extend the life of your new product. Here's what the Agreement\* includes:

- **Parts and labor** needed to help keep products operating properly **under normal use**, not just defects. Our coverage goes **well beyond the product warranty**. No deductibles, no functional failure excluded from coverage— **real protection**.
- **Expert service** by a force of more than **10,000 authorized Sears service technicians**, which means someone you can trust will be working on your product.
- **Unlimited service calls and nationwide service**, as often as you want us, whenever you want us.
- **"No-lemon" guarantee** – replacement of your covered product if four or more product failures occur within twelve months.
- **Product replacement** if your covered product can't be fixed.
- **Annual Preventive Maintenance Check** at your request – no extra charge.
- **Fast help by phone** – we call it **Rapid Resolution** – phone support from a Sears representative on all products. Think of us as a "talking owner's manual."

- **Power surge protection** against electrical damage due to power fluctuations.
- **\$250 Food Loss Protection** annually for any food spoilage that is the result of mechanical failure of any covered refrigerator or freezer.
- **Rental reimbursement** if repair of your covered product takes longer than promised.
- **25% discount** off the regular price of any non-covered repair service and related installed parts.

Once you purchase the Agreement, a simple phone call is all that it takes to schedule service. You can call at any time day or night, or schedule a service appointment online.

The Master Protection Agreement is a risk free purchase. If you cancel for any reason during the product warranty period, we will provide a full refund or a prorated refund anytime after the product warranty period expires. Purchase your Master Protection Agreement today!

**Some limitations and exclusions apply.**

**For prices and additional information in the U.S.A. call 1-800-827-6655.**

**\* Coverage in Canada varies on some items. For full details call Sears Canada at 1-800-361-6665.**

### Sears Installation Service

For Sears professional installation of home appliances, garage door openers, water heaters, and other major home items, in the **U.S.A. call 1-844-553-6667. and in Canada call 1-800-469-4663.**

## PRODUCT RECORD

In the space below, record the date of purchase, model and serial number of your product. You will find the model and serial number printed on an identification label located on the interior liner of the refrigerator compartment. Have these items of information available whenever you contact Sears concerning your product.

Model No. \_\_\_\_\_

Date of Purchase \_\_\_\_\_

Serial No. \_\_\_\_\_

Save these instructions and attach your sales receipt for future reference.

# IMPORTANT SAFETY INSTRUCTIONS

## BASIC SAFETY PRECAUTIONS

This guide contains many important safety messages. Always **read and obey** all safety messages.



This is the safety alert symbol. It alerts you to safety messages that inform you of hazards that can kill or hurt you or others, or cause damage to the product.

All safety messages will be preceded by the safety alert symbol and the hazard signal word **DANGER**, **WARNING** or **CAUTION**. These words mean:

**! DANGER**

You **will** be killed or seriously injured if you do not follow instructions.

**! WARNING**

You **can** be killed or seriously injured if you do not follow instructions.

**! CAUTION**

Indicates an imminently hazardous situation which, if not avoided, **may** result in minor or moderate injury, or product damage.

All safety messages will identify the hazard, tell you how to reduce the chance of injury, and tell you what can happen if the instructions are not followed.

## **! WARNING**

**To reduce the risk of fire, electric shock, or personal injury when using your product, basic safety precautions should be followed, including the following.**

**Read all instructions before using this appliance.**

- NEVER unplug your refrigerator by pulling on the power cord. Always grip the plug firmly and pull it straight out from the outlet.
- If the supply cord is damaged, it must be replaced by the manufacturer or its service agent or a similarly qualified person in order to avoid a hazard. Do not use a cord that shows cracks or abrasion damage along its length or at either the plug or connector end.
- Do not modify or extend the power cord length. It could cause electric shock or fire.
- When moving your refrigerator away from the wall, be careful not to roll over or damage the power cord.

- DO NOT store or use gasoline or other flammable vapors and liquids in the vicinity of this or any other appliance.
- DO NOT allow children to climb, stand, or hang on the refrigerator doors or shelves in the refrigerator. They could damage the refrigerator and seriously injure themselves.
- Keep fingers out of pinch point areas; clearances between the doors and cabinets are necessarily small. Be careful closing doors when children are in the area.
- Unplug your refrigerator before cleaning or making any repairs.

**NOTE:** It is strongly recommended that any service be performed by a qualified technician.

## SAVE THESE INSTRUCTIONS

## ! WARNING

- Before replacing a burned-out or broken light bulb, unplug the refrigerator or turn off power at the circuit breaker or fuse box in order to avoid contact with a live wire filament. (A burned-out light bulb may break when being replaced exposing the wire filament.)

**NOTE:** Some models have LED interior lighting and service should be performed by a qualified technician.

**WARNING:** Setting either or both controls to the OFF position does not remove power to the light circuit.

- When you are finished, reconnect the refrigerator to the electrical source and reset the controls (Thermostat, Refrigerator Control, and or Freezer Control, depending on the model) to the desired setting.
- This refrigerator must be properly installed in accordance with the Attention Installer Instructions that were taped to the front of the refrigerator.
- After your refrigerator is in operation, do not touch the cold surfaces in the freezer compartment when hands are damp or wet. Skin may adhere to the extremely cold surfaces.

- DO NOT touch the automatic ice making mechanism while the refrigerator is plugged in.
- DO NOT refreeze frozen foods which have thawed completely. The United States Department of Agriculture in Home and Garden Bulletin No. 69 says:

...You may safely refreeze frozen foods that have thawed if they still contain ice crystals or if they are still cold—below 39°F (4°C).

...Thawed ground meats, poultry or fish that have any off-odor or off-color should not be refrozen and should not be eaten. Thawed ice cream should be discarded. If the odor or color of any food is poor or questionable, dispose of it. The food may be dangerous to eat.

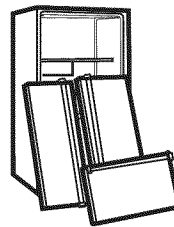
Even partial thawing and refreezing reduces the eating quality of foods, particularly fruits, vegetables and prepared foods. The eating quality of red meats is affected less than that of many other foods. Use refrozen foods as soon as possible to save as much of their quality as you can.

**! WARNING :** This product contains chemicals known to the State of California to cause cancer and birth defects or other reproductive harm. *Wash hands after handling.*

## SAVE THESE INSTRUCTIONS

## ! DANGER: RISK OF CHILD ENTRAPMENT

Junked or abandoned refrigerators are dangerous, even if they are sitting for only a few days. If you are getting rid of your old refrigerator, please follow the instructions at right to help prevent accidents (child entrapment and suffocation).



### BEFORE YOU THROW AWAY YOUR OLD REFRIGERATOR OR FREEZER:

- Take off the doors.
- Leave the shelves in place so that children may not easily climb inside.

## CFC/HCFC DISPOSAL

Your old refrigerator may have a cooling system that used CFCs or HCFCs (chlorofluorocarbons or hydrochlorofluorocarbons). CFCs and HCFCs are believed to harm stratospheric ozone if released to the atmosphere. Other refrigerants may also cause harm to the environment if released to the atmosphere.

If you are throwing away your old refrigerator, make sure the refrigerant is removed for proper disposal by a qualified technician. If you intentionally release refrigerant, you may be subject to fines and imprisonment under provisions of environmental legislation.

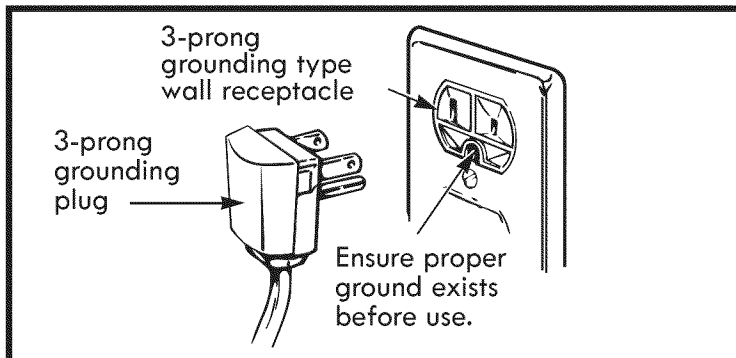
## ELECTRICAL & GROUNDING REQUIREMENTS

**IMPORTANT:** Please read carefully.  
**TO CONNECT ELECTRICITY**

### **! WARNING**

#### **Electrical Shock Hazard**

**FOR PERSONAL SAFETY**, this appliance must be properly grounded. Have the wall outlet and the circuit checked by a qualified electrician to make sure the outlet is properly grounded.



### **RECOMMENDED GROUNDING METHOD**

The refrigerator should always be plugged into its own individual properly grounded electrical outlet rated for 115 Volts, 60 Hz, AC only, and fused at 15 or 20 amperes. This provides the best performance and also prevents overloading house wiring circuits which could cause a fire hazard from overheated wires. It is recommended that a separate circuit serving only this appliance be provided.

Use a receptacle that cannot be turned off with a switch or pull chain. Do not use an extension cord.

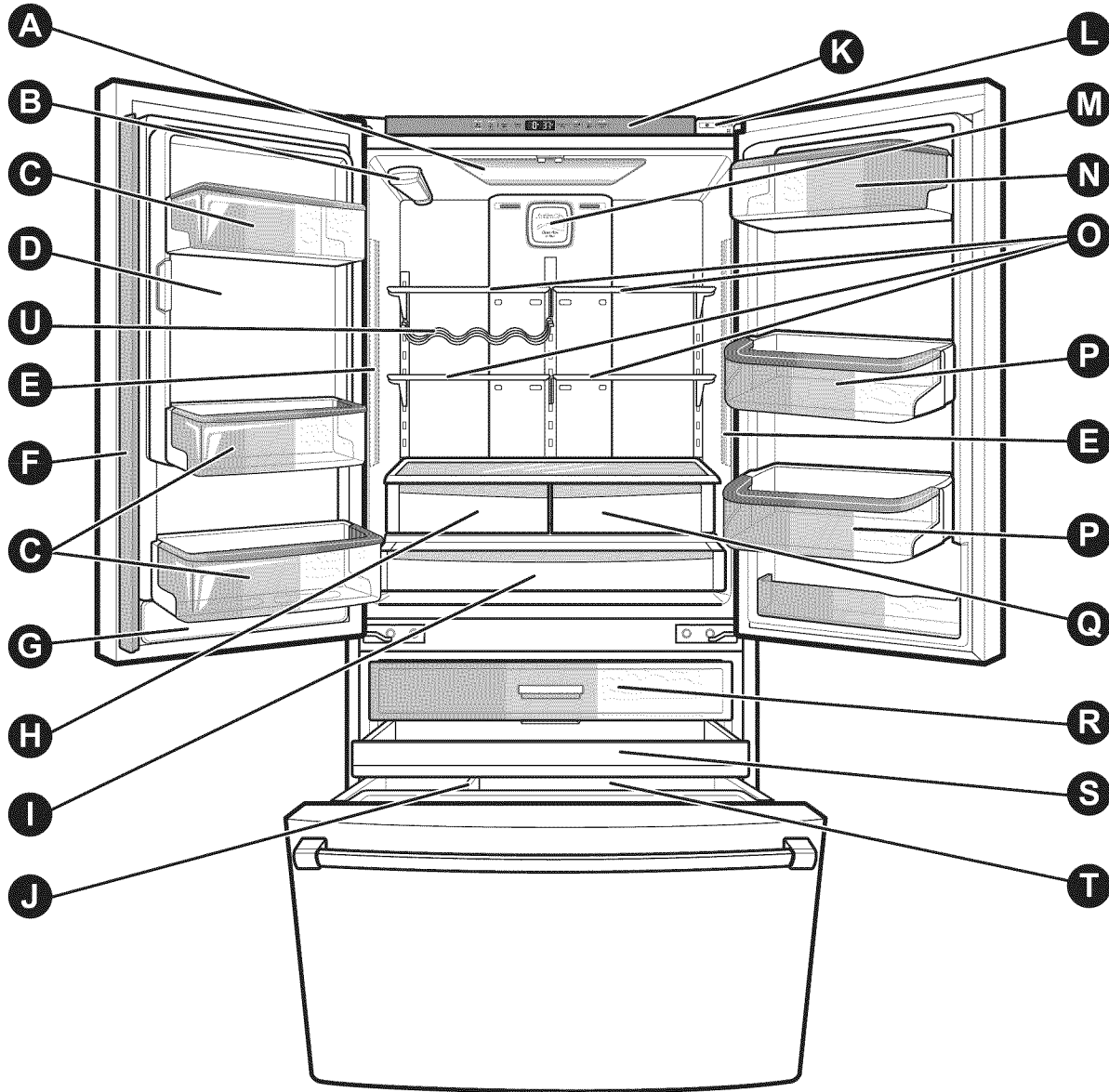
Where a standard two-prong wall outlet is encountered, it is your personal responsibility and obligation to have it replaced with a properly grounded three-prong wall outlet.

### **USE OF EXTENSION CORDS**

**Because of potential safety hazards under certain conditions, the use of an extension cord is not recommended.** However, if you still elect to use an extension cord, it is absolutely necessary that it be a UL-listed (USA), 3-wire grounding type appliance extension cord having a grounding type plug and outlet, and that the electrical rating of the cord be 15 amperes (minimum) and 120 volts.

Use of an extension cord will increase the clearance needed for the back of the refrigerator.

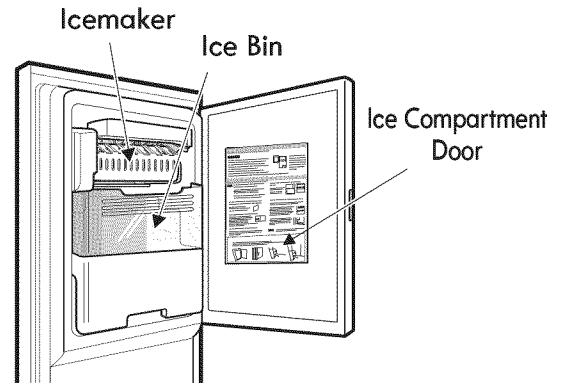
# PARTS AND FEATURES



Use this page to become more familiar with the parts and features of your refrigerator.

**NOTE:** This guide covers several different models. The refrigerator you have purchased may have some or all of the items listed below. The locations of the features shown below may not match your model.

- A** Refrigerator Light
- B** Water Filter
- C** Fixed Door Bins
- D** Ice Compartment (Icemaker and Ice Bin)
- E** Refrigerator Light (side)
- F** Articulating Mullion
- G** Water Tank Cover
- H** Humidity Controlled Crisper
- I** Temperature Controlled Pantry Drawer
- J** Durabase Divider
- K** Control Panel
- L** Kenmore Connect™ Speaker
- M** Air Filter
- N** Adjustable Dairy Bin
- O** Refrigerator Shelves
- P** Adjustable Door Bins
- Q** Air Tight Crisper
- R** Top Pullout Drawer
- S** Middle Pullout Drawer
- T** Durabase
- U** Wine Rack



# REFRIGERATOR INSTALLATION

## **WARNING**

### **Excessive Weight Hazard:**

Use two or more people to move and install the refrigerator. Failure to do so can result in back or other injury.

## **UNPACKING YOUR REFRIGERATOR**

Remove tape and any temporary labels from your refrigerator before using. Do not remove any warning-type labels, the model and serial number label, or the Tech Sheet that is located under the front of the refrigerator.

To remove any remaining tape or glue, rub the area briskly with your thumb. Tape or glue residue can also be easily removed by rubbing a small amount of liquid dish soap over the adhesive with your fingers. Wipe with warm water and dry.

Do not use sharp instruments, rubbing alcohol, flammable fluids, or abrasive cleaners to remove tape or glue. These products can damage the surface of your refrigerator.

Refrigerator shelves are installed in the shipping position. Please reinstall shelves according to your individual storage needs.

## **WARNING**

### **Excessive Weight Hazard:**

Your refrigerator is heavy. When moving the refrigerator for cleaning or service, be sure to protect the floor. Always pull the refrigerator straight out when moving it. Do not wiggle or walk the refrigerator when trying to move it, as floor damage could occur.

## **WARNING**

### **Explosion Hazard:**

Keep flammable materials and vapors, such as gasoline, away from the refrigerator. Failure to do so can result in fire, explosion, or death.

## PRIOR TO USE

1. Clean your refrigerator thoroughly and wipe off all dust that accumulated during shipping.
2. Install accessories such as ice cube bin, drawers, shelves, etc., in their proper places. They are packed together to prevent possible damage during shipment.
3. Allow your refrigerator to run for at least two to three hours before putting food in it. Check the flow of cold air in the freezer compartment to ensure proper cooling. Your refrigerator is now ready for use.

## INSTALLATION

The refrigerator should always be plugged into its own individual properly grounded electrical outlet rated for 115 Volts, 60 Hz, AC only, and fused at 15 or 20 amperes. This provides the best performance and also prevents overloading house wiring circuits which could cause a fire hazard from overheated wires. It is recommended that a separate circuit serving only this appliance be provided.

### **! WARNING**

#### **Shock Hazard:**

To reduce the risk of electric shock, do not install the refrigerator in a wet or damp area.

## INSTALLATION (continued)

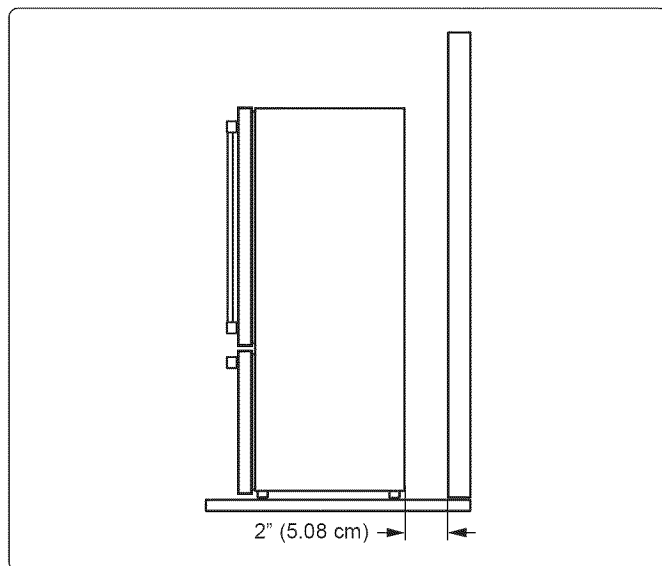
1. To avoid noise and vibration, the unit must be leveled and installed on a solidly constructed floor. If required, adjust the leveling legs to compensate for unevenness of the floor. The front should be slightly higher than the rear to aid in door closing. Leveling legs can be turned easily by tipping the cabinet slightly. Turn the leveling legs to the left to raise the unit or to the right to lower it. (See **LEVELING AND DOOR ALIGNMENT**.)

**NOTE:** Installing on carpeting, soft tile surfaces, a platform or weakly supported structure is not recommended.

2. Install this appliance in an area where the temperature is between 55°F (13°C) and 110°F (43°C). If the temperature around the appliance is too low or high, cooling ability may be adversely affected.
3. Select a place where a water supply can be easily connected for the automatic icemaker.

**NOTE:** The water pressure must be from 20-120 psi or 138-827 kPa or 1.4-8.4 kgf/cm<sup>2</sup>. If the refrigerator is installed in an area with low water pressure (below 20 psi), you can install a booster pump to compensate for the low pressure.

4. Too small of a distance from adjacent items may result in lowered freezing capability and increased electricity consumption charges. Allow at least 24 inches (61 cm) in front of the refrigerator to open the doors and at least 2 inches (5.08 cm) between the back of the refrigerator and the wall.



**NOTE:** Removing the doors is always recommended when it is necessary to move the refrigerator through a narrow opening. If it is necessary to remove the handles, follow the directions below.

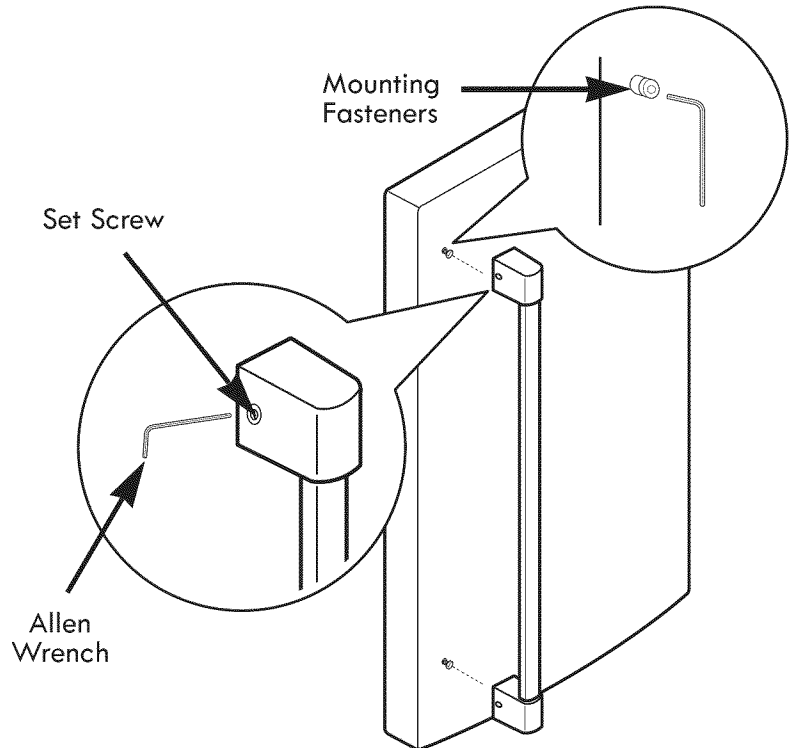
## HOW TO REMOVE REFRIGERATOR DOOR HANDLE

**NOTE:** Handle appearance may vary from the illustrations on this page.

### Removing Refrigerator Handle

Loosen the set screws with a  $\frac{3}{32}$  in. Allen wrench and remove the handle.

**NOTE:** If the handle mounting fasteners need to be tightened or removed, use a  $\frac{1}{4}$  in. Allen wrench.



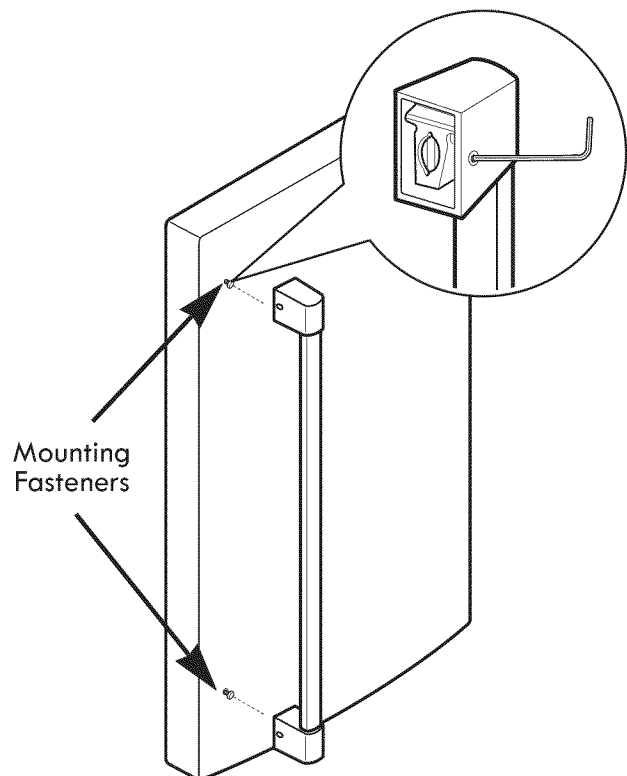
## HOW TO REPLACE REFRIGERATOR DOOR HANDLE

**NOTE:** Handle appearance may vary from the illustrations on this page.

### Replacing Refrigerator Door Handle

Place the handle on the door by fitting the handle footprints over the mounting fasteners and tightening the set screws with a  $\frac{3}{32}$  in Allen wrench.

**NOTE:** If the handle mounting fasteners need to be tightened or removed, use a  $\frac{1}{4}$  in. Allen wrench.



**NOTE:** Removing the doors is always recommended when it is necessary to move the refrigerator through a narrow opening. If it is necessary to remove the handles, follow the directions below.

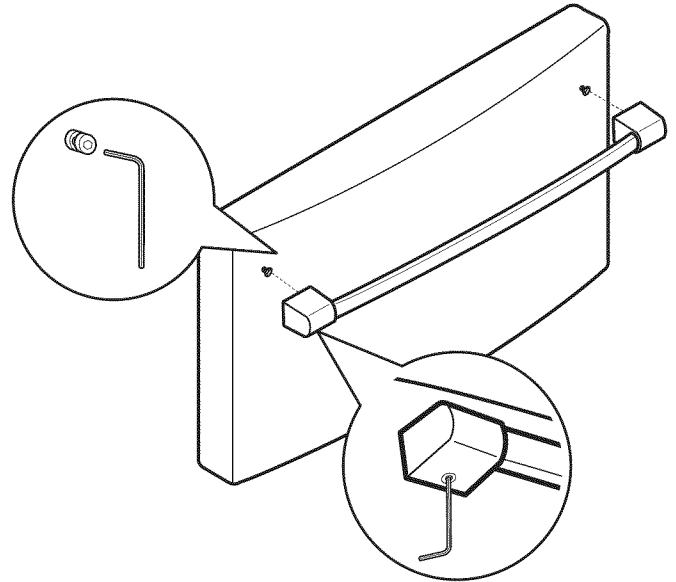
### HOW TO REMOVE FREEZER DOOR HANDLE

**NOTE:** Handle appearance may vary from the illustrations on this page.

#### Removing Freezer Drawer Handle

Loosen the set screws located on the lower side of the handle with a  $\frac{1}{8}$  in. Allen wrench and remove the handle.

**NOTE:** If the handle mounting fasteners need to be tightened or removed, use a  $\frac{1}{4}$  in. Allen wrench.



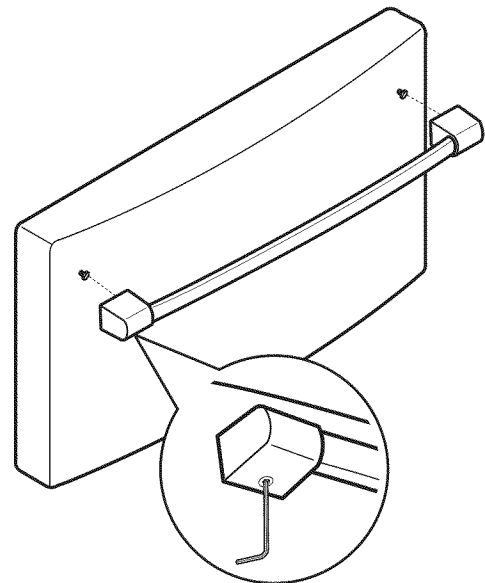
### HOW TO REPLACE FREEZER DOOR HANDLE

**NOTE:** Handle appearance may vary from the illustrations on this page.

#### Replacing Freezer Drawer Handle

Place the handle on the door by fitting the handle footprints over the mounting fasteners and tightening the set screws with a  $\frac{1}{8}$  in. Allen wrench.

**NOTE:** If the handle mounting fasteners need to be tightened or removed, use a  $\frac{1}{4}$  in. Allen wrench.



## ! WARNING

When assembling or disassembling the handles:

- Grasp the handle firmly to ensure it will not drop or cause injury.
- Prevent the handle from swinging toward nearby people or animals.
- Insert the bracket hole of the handle into the stopper bolt of the door exactly, then assemble the set screws to fix the handle in place.
- Check for any gap between the door and handle after the handle is fixed in place.

## REMOVING AND REPLACING REFRIGERATOR DOORS

### ! WARNING

#### Excessive Weight Hazard:

Use two or more people to remove and install the refrigerator doors. Failure to do so can result in back or other injury.

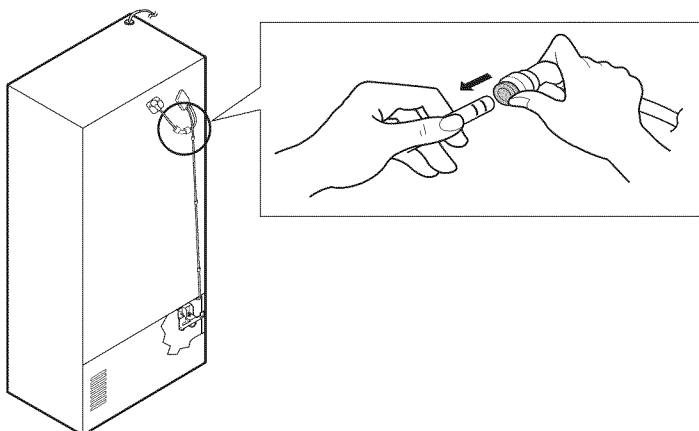
### ! WARNING

#### Electrical Shock Hazard

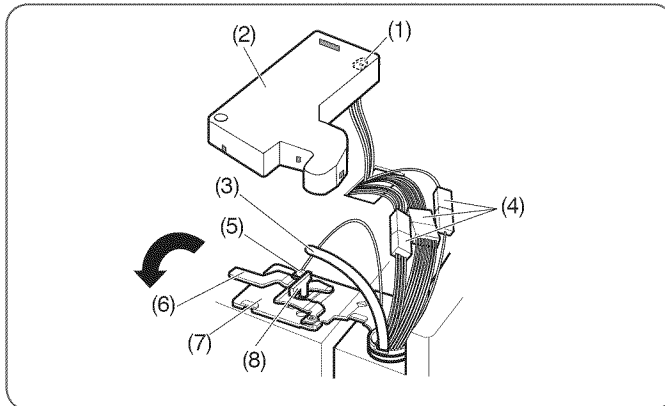
- Disconnect the electrical supply to the refrigerator before installing. Failure to do so could result in serious injury or death.
- Do not put hands, feet or other objects into the air vents or bottom of the refrigerator. You may be injured or receive an electrical shock.

#### To remove the left refrigerator door:

On the back of the refrigerator, pull the water tube out of the collet fitting on the connector by pressing the fitting release ring (see picture below).



**! CAUTION:** Before you begin, remove food and bins from the doors.

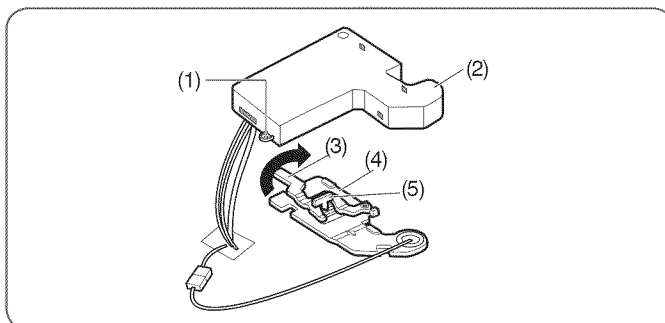


1. Open the door. Remove the top hinge cover screw (1). Lift up the cover (2).
2. Remove the cover.
3. Pull out the tube (3).
4. Disconnect all wire harnesses (4).
5. Remove the grounding screw (5).
6. Rotate hinge lever (6) counterclockwise. Lift the top hinge (7) free of the hinge lever latch (8).

**! CAUTION:** When lifting the hinge free of the latch, be careful that the door does not fall forward.

7. Lift the door from the middle hinge pin and remove the door.
8. Place the door, inside facing up, on a non-scratching surface.

#### To remove the right refrigerator door:



1. Open the door. Remove the top hinge cover screw (1). Lift up the cover (2).
2. Remove the cover.
3. Rotate the hinge lever (3) clockwise. Lift the top hinge (4) free of the hinge lever latch (5).

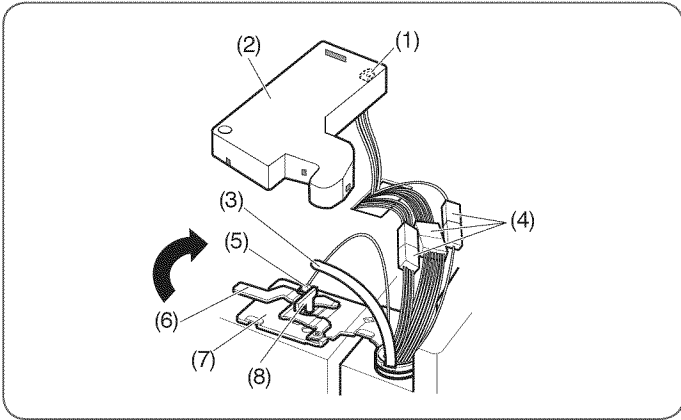
**! CAUTION:** When lifting the hinge free of the latch, be careful that the door does not fall forward.

4. Lift the door from the middle hinge pin and remove the door.
5. Place the door, inside facing up, on a non-scratching surface.

Reinstalling the Refrigerator Door

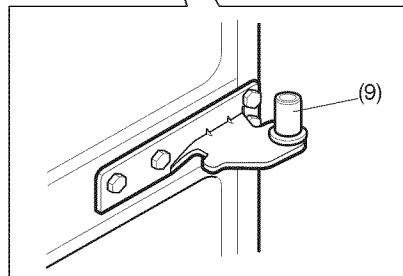
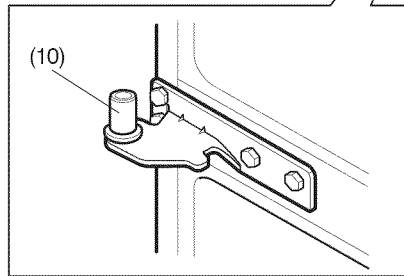
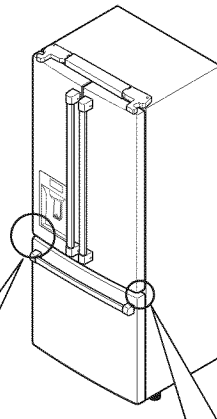
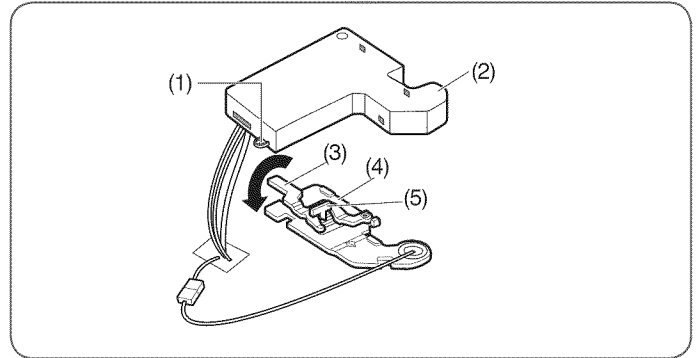
► Left Door

1. Lower the door onto the middle hinge pin (10).
2. Fit the top hinge (7) over the hinge lever latch (8) and into place. Rotate the lever (6) clockwise to secure the hinge.
3. Install the grounding screw (5) and connect the two wire harnesses (4).
4. Push the water tube (3) located at the top of the left door into the hole beside the left hinge on the top of the cabinet until it exits through the back.
5. Insert the water supply tube (3) into the connector until you see only one scale mark. Fully insert the tube over  $\frac{5}{8}$  in. (15 mm).
6. Hook the tabs on the left side of the hinge cover (1) under the edge of the top hinge (7) and position the cover in place. Insert and tighten the cover screw (1).

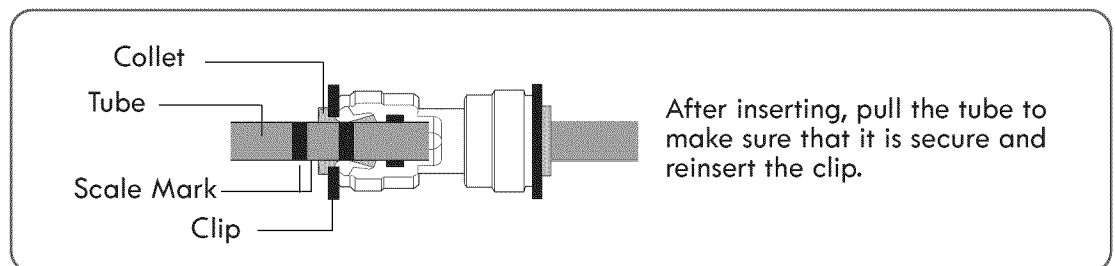


► Right Door

1. Lower the door onto the middle hinge pin (9).
2. Fit the top hinge (4) over the hinge lever latch (5) and into place. Rotate the lever (3) counterclockwise to secure the hinge.
3. Hook the tabs on the right side of hinge cover (2) under the edge of the top hinge (4) and position the cover in place. Insert and tighten the cover screw (1).



**⚠ CAUTION**



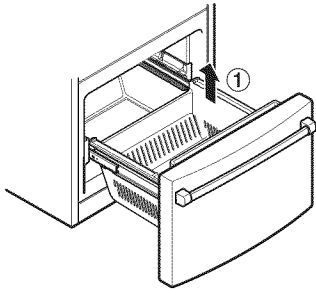
## HOW TO REMOVE THE FREEZER DRAWER

**⚠ WARNING:** Use two or more people to remove and install the freezer drawer. Failure to do so can result in back or other injury.

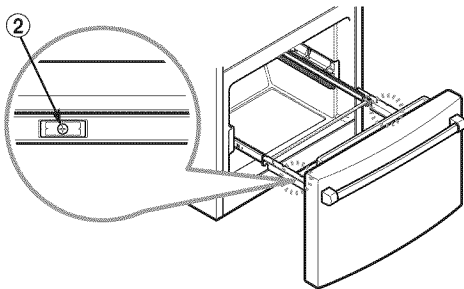
**⚠ CAUTION:** Do not hold the handle when removing or replacing the drawer. The handle may come off and it could cause personal injury.

**NOTE:** In the following figures, the Pullout Drawer located above the freezer drawer is not shown for clarity.

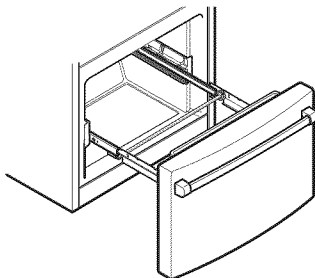
Pull the drawer open to full extension. Remove the lower basket ① by lifting the basket from the rail system.



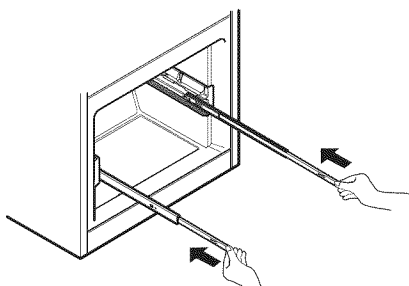
Remove the screws ② from the rail on both sides.



Grasp the drawer on each side and pull it up to separate it from the rails.

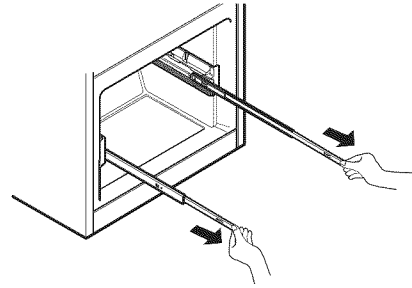


With both hands, slide each bar in simultaneously.

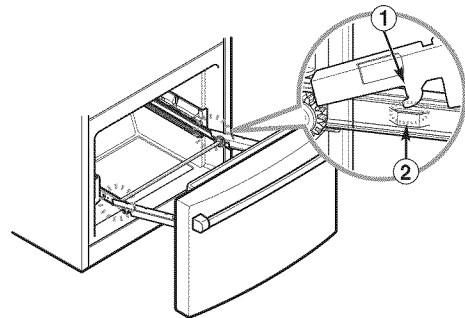


## HOW TO INSTALL THE FREEZER DRAWER

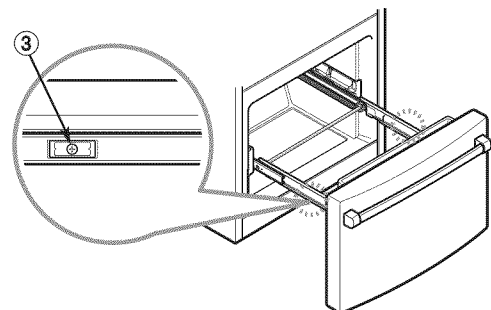
Pull out each rail to full extension.



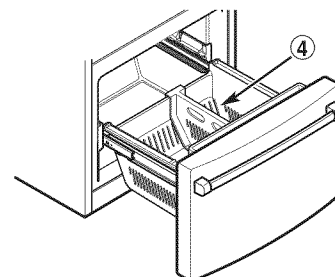
Grasp the drawer on each side and hook drawer supports ① into rail tabs ② located on both sides.



Lower the door into its final position and tighten the screws ③ located on both sides.



With the drawer pulled out to full extension, insert the lower basket ④ in the rail assembly.



**⚠ WARNING:** If the Durabase divider is removed, there is enough open space for children or pets to crawl inside. To prevent accidental child and pet entrapment or suffocation risk, DO NOT allow them to touch or go near the freezer drawer.

**⚠ WARNING:** DO NOT step or sit down on the freezer drawer.

## LEVELING AND DOOR ALIGNMENT

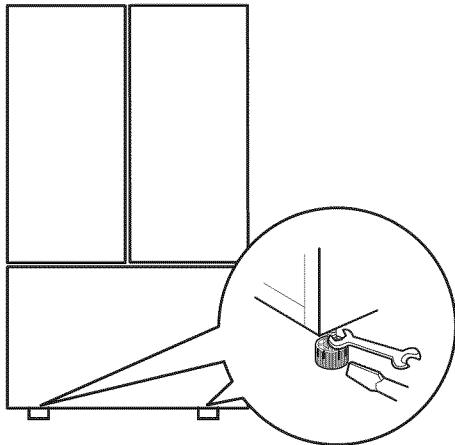
### Leveling

After installing, plug the refrigerator's power cord into a 3-prong grounded outlet and push the refrigerator into the final position.

Your refrigerator has two front leveling legs—one on the right and one on the left. Adjust the legs to alter the tilt from front-to-back or side-to-side. If your refrigerator seems unsteady, or you want the doors to close more easily, adjust the refrigerator's tilt using the instructions below:

**NOTE:** Tools Required:  $1\frac{1}{16}$ " wrench or flat blade screwdriver.

1. Turn the leveling leg to the left to raise that side of the refrigerator or to the right to lower it. It may take several turns of the leveling leg to adjust the tilt of the refrigerator.



**NOTE:** Having someone push backward against the top of the refrigerator takes some weight off of the leveling legs. This makes it easier to adjust the legs.

2. Open both doors again and check to make sure that they close easily. If the doors do not close easily, tilt the refrigerator slightly more to the rear by turning both leveling legs to the left. It may take several more turns, and you should turn both leveling legs the same amount.

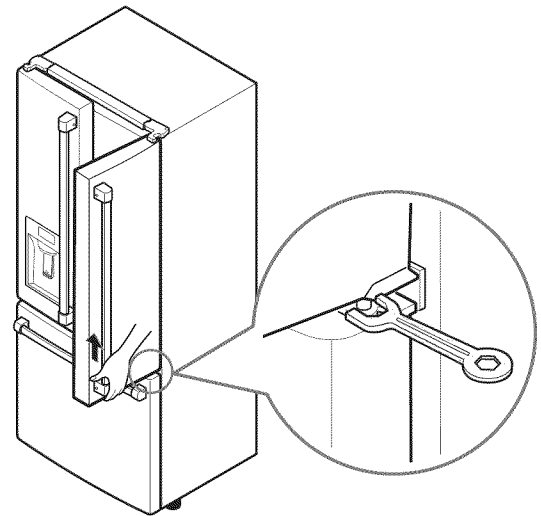
**NOTE:** Your refrigerator is uniquely designed with two fresh food doors. Either door can be opened or closed independently of the other. You may have to exert slight pressure on the doors to get them to close completely.

### Door Alignment

Both the left and right refrigerator doors have an adjustable nut, located on the bottom hinge, to raise and lower them to align properly.

If the space between your doors is uneven, follow the instructions below to align the doors evenly:

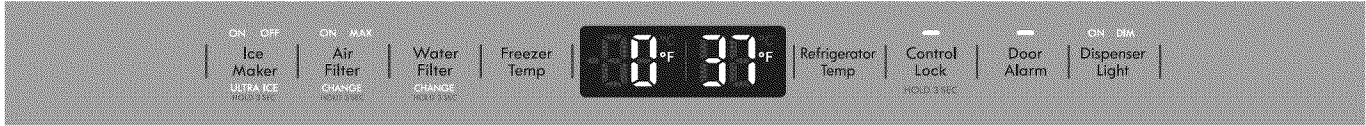
Use the wrench (included with the Use & Care Guide) to turn the nut in the door hinge to adjust the height. To the right to raise or to the left to lower the height.



# USING YOUR REFRIGERATOR

## SETTING THE CONTROLS

### Temperature

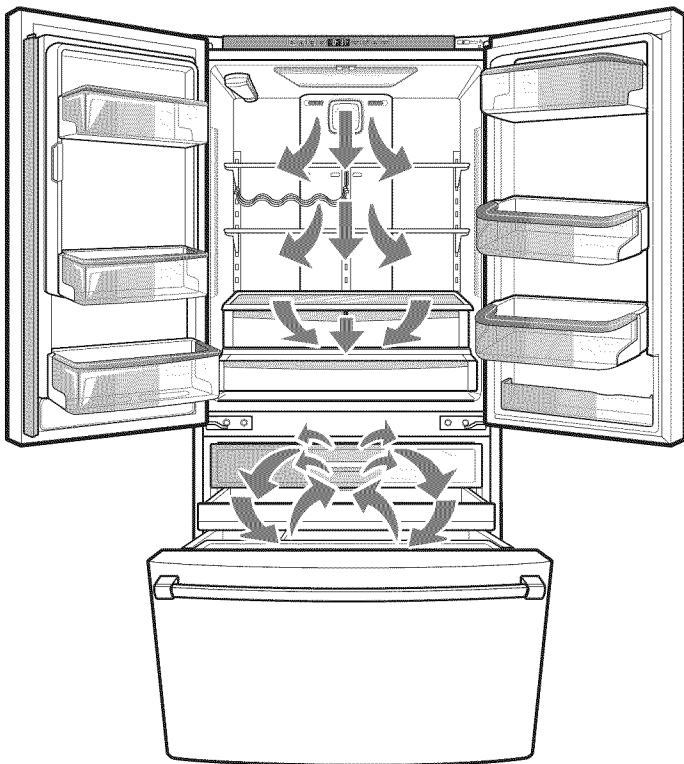


- **The Refrigerator Temp Control ranges from 33°F to 46°F (1°C to 8°C).** Press the Refrigerator Temp button to cycle through the available temperature settings one increment at a time.
- **The Freezer Temp Control range is from -6°F to 8°F (-21°C to -13°C).** Press the Freezer Temp button to cycle through the available temperature settings one increment at a time.

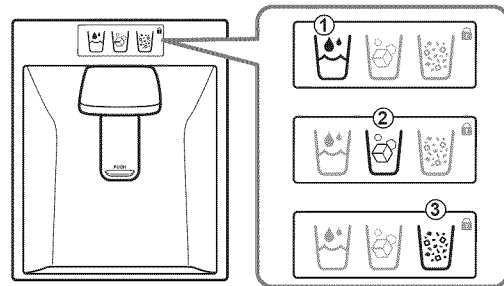
**NOTE:** When changing control settings, wait 24 hours before making additional adjustments. The controls are set correctly when milk or juice is as cold as you would like and when ice cream is firm. If the temperature in either compartment is too cold or too warm, change the setting one increment at a time. Wait 24 hours for the change to stabilize before adjusting again.

### Airflow

Be sure not to block vents while packing your refrigerator. Doing so will restrict airflow and may cause the refrigerator temperature to become too warm or cause interior moisture buildup. (See air flow diagram below.)



### Dispenser



The dispenser will dispense water, cubed ice or crushed ice. Press the appropriate icon of your choice: (1) water (2) cubed ice (3) crushed ice. When pressed the icon will illuminate.

**NOTE:** The dispenser will not work if any door is left open or if the control lock is engaged.

**NOTE:** If the Control Lock icon is illuminated, the Dispenser will not work. Disable the Control Lock to use the Dispenser again.

**CAUTION:** The control display is operated by touch. Excessive moisture on the display may cause a malfunction. Please keep the display clean and dry.

## USING YOUR REFRIGERATOR

### Air Filter



The Air Filter helps remove odors from the refrigerator. The Air Filter has two settings, Auto and MAX. In Auto mode, the Air Filter will cycle on and off in increments of ten minutes on and one hundred and ten minutes off. If set to the MAX mode, the Air Filter will stay on continuously for four hours, cycling on and off in increments of ten minutes on and five minutes off. After four hours, the Air Filter will switch to Auto mode.

- Auto mode is the default mode.
- Press the Air Filter button once for MAX mode.

### Air Filter Reset



When the **CHANGE** icon turns on, the air filter needs to be replaced. After replacing the air filter, press and hold the Air Filter button for three seconds to turn the icon light off. It is recommended to change the air filter approximately every 6 months.

### Ice Maker ON/OFF



- To switch the icemaker ON or OFF, press the Ice Maker button.

### Ultra Ice



- When you press and hold the Ice Maker button for three seconds, the graphic will illuminate in the display and will continue for 24 hours. The function will automatically shut off after 24 hours.

**NOTE:** While you are selecting the Ultra Ice function, the Ice Maker icon will briefly switch to OFF, then return to ON. This is normal.

- You can stop this function manually by pressing and holding the button one more time.
- This function increases both ice making and freezing capabilities.

### Water Filter Reset



When the **CHANGE** icon turns on, you need to change the water filter. After changing the water filter, press and hold the Water Filter button for three seconds to turn the indicator light off. You need to change the water filter approximately every six months.

### Dispenser Light



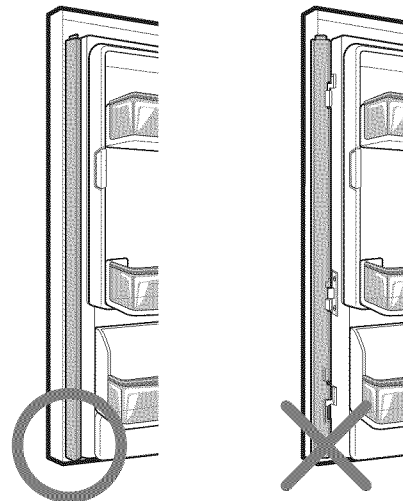
This light has three settings: On, Off and Dim. Select the Dim option at night. The light will automatically turn on at full brightness when the dispenser pad is pushed.

### Articulating Mullion

This feature is a metal strip attached to the left door that articulates (rotates) 90 degrees as the door is closed, forming a mullion (base) for the left and right door gaskets to seal against.

### CAUTION

To reduce the risk of scratching the door or breaking the door mullion, make sure that the refrigerator door mullion is always folded in.



**Door Alarm**



- When power is connected to the refrigerator, the door alarm is initially set to ON. When you press the Door Alarm button, the display will change to OFF and the Door Alarm function will deactivate.
- When either the refrigerator or the freezer door is left open for more than 60 seconds, the alarm tone will sound to let you know that the door is open.
- When you close the door, the door alarm will stop.

**Control Lock**



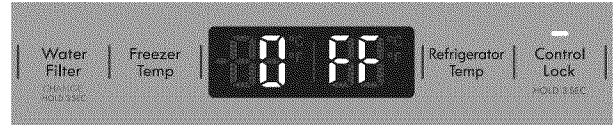
- When power is initially connected to the refrigerator, the Lock function is off.
- If you want to activate the Lock function to lock other buttons, press and hold the Control Lock button for three seconds or more. The Control Lock button will illuminate and the Lock function is now enabled.
- When the Lock function is activated, no other buttons will work. The dispenser pad is also deactivated.
- To disable the Lock function, press and hold the Control Lock button for approximately three seconds.

**Temperature Mode Switch Function (°F <->°C)**

If you want to convert °F to °C or vice versa, press and hold the Freezer Temp and Refrigerator Temp buttons at the same time for approximately five seconds.

**Demo Mode (For Store Use Only)**

The Demo Mode disables all cooling in the refrigerator and freezer sections to conserve energy while on display in a retail store. When activated, OFF will display on the control panel.



**To deactivate:**

With either refrigerator door opened, press and hold the Refrigerator Temp and Ice Maker buttons at the same time for five seconds. The control panel will beep and the temperature settings will display to confirm that Demo Mode is deactivated. Use the same procedure to activate the Demo Mode.

## IN-DOOR ICE BIN

### ⚠ CAUTION

Keep hands and tools out of the ice compartment door and dispenser chute. Failure to do so may result in damage or personal injury.

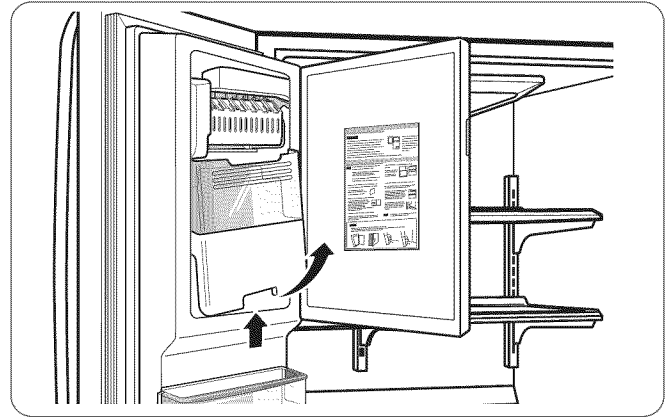
The icemaker will stop producing ice when the in-door ice bin is full. If you need more ice, empty the ice bin into the extra ice bin in the freezer compartment. During use, the ice can become uneven causing the icemaker to misread the amount of ice cubes and stop producing ice. Shaking the ice bin to level the ice within it can reduce this problem.

**NOTE:** Storing cans or other items in the ice bin will damage the icemaker.

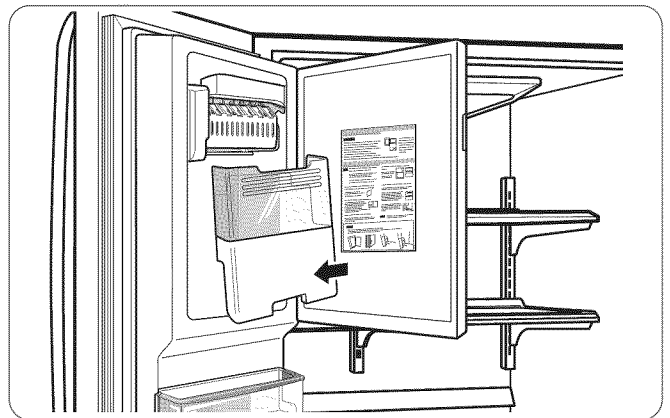
Keep the ice compartment door closed tightly. If the ice compartment door is not closed tightly, the cold air in the ice bin will freeze food in the refrigerator compartment. This could also cause the icemaker to stop producing ice.

**NOTE:** Emptying the ice bin is recommended if the icemaker ON/OFF button on the control panel is set to OFF for an extended period of time.

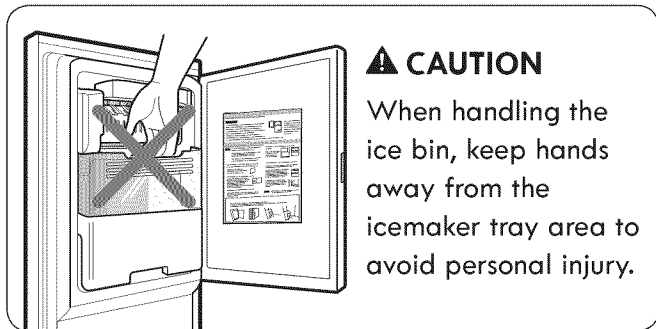
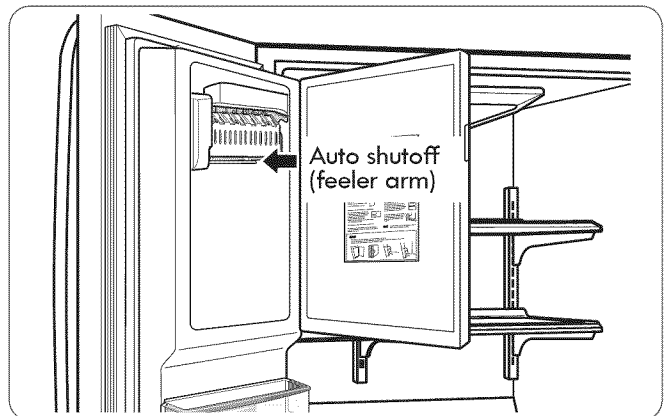
2. To remove the in-door ice bin, grip the front handle, slightly lift the lower part, and slowly pull out the bin as shown.



3. To reinstall the in-door ice bin, slightly slant the bin during replacement to avoid contact with the icemaker.



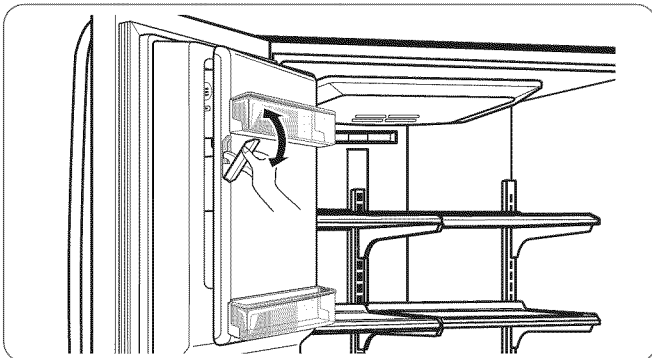
4. Avoid touching the auto shutoff (feeler arm) when replacing the ice bin. See the label on the ice compartment door for details.



### ⚠ CAUTION

When handling the ice bin, keep hands away from the icemaker tray area to avoid personal injury.

1. Pull or push the door handle to open or close the ice compartment.



### AUTOMATIC ICEMAKER

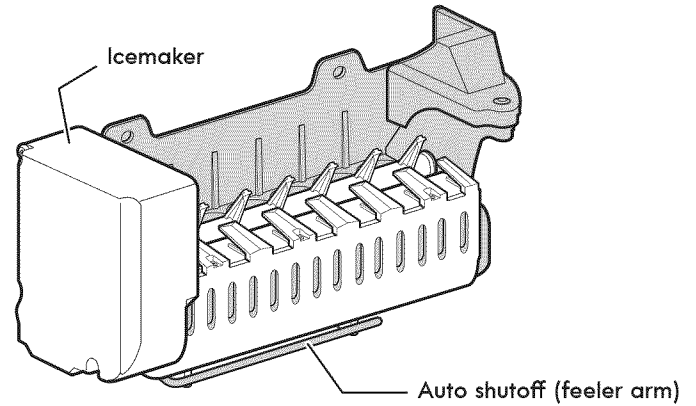
Ice is made in the automatic icemaker and sent to the dispenser. The icemaker will produce 70-182 cubes in a 24-hour period, depending on freezer compartment temperature, room temperature, number of door openings and other operating conditions.

- It takes about 12 to 24 hours for a newly installed refrigerator to begin making ice. Wait 72 hours for full ice production to occur.
- Ice making stops when the in-door ice bin is full. When full, the in-door ice bin holds approximately 6 to 8 (12-16 oz or 340-455 cc) glasses of ice.
- Foreign substances or frost on the auto shutoff (feeler arm) can interrupt ice production. Make sure the feeler arm is clean at all times for proper operation.
- To increase ice production, use the Ultra Ice function. This function increases both ice making and freezing capabilities.

## ⚠ WARNING

### Personal Injury Hazard

DO NOT place fingers or hands on the automatic ice making mechanism while the refrigerator is plugged in.



### AUTOMATIC ICEMAKER (continued)

#### ⚠ CAUTION

- The first ice and water dispensed may include particles or odor from the water supply line or the water tank.
- Throw away the first few batches of ice. This is also necessary if the refrigerator has not been used for a long time.
- Never store beverage cans or other items in the ice bin for the purpose of rapid cooling. Doing so may damage the icemaker or the containers may burst.
- If discolored ice is dispensed, check the water filter and water supply. If the problem continues, contact a Sears or other qualified service center. Do not use the ice or water until the problem is corrected.
- Keep children away from the dispenser. Children may play with or damage the controls.
- The ice passage may become blocked with frost if only crushed ice is used. Remove the frost that accumulates by removing the ice bin and clearing the passage with a rubber spatula. Dispensing cubed ice can also help prevent frost buildup.
- Never use thin crystal glass or crockery to collect ice. Such containers may chip or break resulting in glass fragments in the ice.
- Dispense ice into a glass before filling it with water or other beverages. Splashing may occur if ice is dispensed into a glass that already contains liquid.
- Never use a glass that is exceptionally narrow or deep. Ice may jam in the ice passage and refrigerator performance may be affected.
- Keep the glass at a proper distance from the ice outlet. A glass held too close to the outlet may prevent ice from dispensing.
- To avoid personal injury, keep hands out of the ice door and passage.
- Never remove the dispenser cover.
- If ice or water dispenses unexpectedly, turn off the water supply and contact Sears Home Service in the U.S.A. at 1-844-553-6667 and in Canada at 1-800-469-4663.

#### WHEN TO SET ICEMAKER TO OFF

- When the water supply will be shut off for several hours.
- When the ice bin is removed for more than one or two minutes.
- When the refrigerator will not be used for several days.

**NOTE:** The ice bin should be emptied when the icemaker ON/OFF button is turned to the **OFF** mode.

#### NORMAL SOUNDS YOU MAY HEAR

- If the icemaker ON/OFF button is set to ON, the valve will buzz even if the icemaker has not yet been hooked up to water. To stop the buzzing, switch the button to OFF.  
**NOTE:** Keeping the icemaker ON/OFF button set to ON before the water is connected can damage the icemaker.
- You will hear the sound of cubes dropping into the bin and water running in the pipes as the icemaker refills.

#### PREPARING FOR VACATION

Set the icemaker ON/OFF button to **OFF** and shut off the water supply to the refrigerator.

**NOTE:** The ice bin should be emptied any time the icemaker ON/OFF button is turned OFF.

If the ambient temperature will drop below freezing, have a qualified technician drain the water supply system to prevent serious property damage due to flooding caused by ruptured water lines or connections.

**FOOD STORAGE GUIDE**

Wrap or store food in the refrigerator in airtight and moisture-proof material unless otherwise noted. This prevents food odor and taste transfer throughout the refrigerator. For dated products, check date code to ensure freshness.

Items	How to
<b>Butter or margarine</b>	▶ Keep opened butter in a covered dish or closed compartment. When storing an extra supply, wrap in freezer packaging and freeze.
<b>Cheese</b>	▶ Store in the original wrapping until you are ready to use it. Once opened, rewrap tightly in plastic wrap or aluminum foil.
<b>Milk</b>	▶ Wipe milk cartons. For best storage, place milk on interior shelf, not on door shelf.
<b>Eggs</b>	▶ Store in original carton on interior shelf, not on door shelf.
<b>Fruit</b>	▶ Do not wash or hull the fruit until it is ready to be used. Sort and keep fruit in its original container, in a crisper, or store in a completely closed paper bag on a refrigerator shelf.
<b>Leafy vegetables</b>	▶ Remove store wrapping and trim or tear off bruised and discolored areas. Wash in cold water and drain. Place in plastic bag or plastic container and store in crisper.
<b>Vegetables with skins (carrots, peppers)</b>	▶ Place in plastic bags or plastic container and store in crisper.
<b>Fish</b>	▶ Store fresh fish and shellfish in the freezer section if they are not being consumed the same day of purchase. It is recommended to consume fresh fish and shellfish the same day purchased.
<b>Leftovers</b>	▶ Cover leftovers with plastic wrap or aluminum foil, or store in plastic containers with tight lids.

**STORING FROZEN FOOD**

**NOTE:** Check a freezer guide or a reliable cookbook for further information about preparing food for freezing or food storage times.

**Freezing**

Your freezer will not quick-freeze a large quantity of food. Do not put more unfrozen food into the freezer than will freeze within 24 hours (no more than 2 to 3 lbs. of food per cubic foot of freezer space). Leave enough space in the freezer for air to circulate around packages. Be careful to leave enough room at the front so the door can close tightly.

Storage times will vary according to the quality and type of food, the type of packaging or wrap used (how airtight and moisture-proof) and the storage temperature. Ice crystals inside a sealed package are normal. This simply means that moisture in the food and air inside the package have condensed, creating ice crystals.

**NOTE:** Allow hot foods to cool at room temperature for 30 minutes, then package and freeze. Cooling hot foods before freezing saves energy.

**Packaging**

Successful freezing depends on correct packaging. When you close and seal the package, it must not allow air or moisture in or out. If it does, you could have food odor and taste transfer throughout the refrigerator and could also dry out frozen food.

**Packaging recommendations:**

- Rigid plastic containers with tight-fitting lids
- Straight-sided canning/freezing jars
- Heavy-duty aluminum foil
- Plastic-coated paper
- Non-permeable plastic wraps
- Specified freezer-grade self-sealing plastic bags

Follow package or container instructions for proper freezing methods.

**Do not use**

- Bread wrappers
- Non-polyethylene plastic containers
- Containers without tight lids
- Wax paper or wax-coated freezer wrap
- Thin, semi-permeable wrap

**⚠ CAUTION:** Do not keep beverage cans or plastic food containers in the freezer compartment. They may break or burst if they freeze.

**WINE STORAGE GUIDE**

For your convenience and to save space, use the wine rack to store up to 4 standard sized bottles of wine.

**⚠ CAUTION:** Wine rack is designed for standard sized bottles. Use of larger or non-standard shaped bottles may prevent the refrigerator door from closing properly.

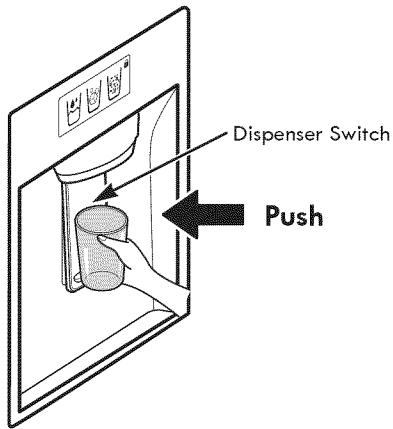


## REFRIGERATOR SECTION

### WATER DISPENSER

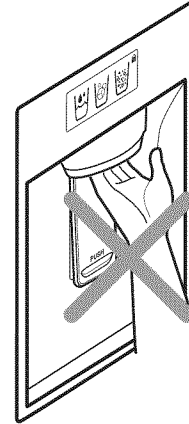
To dispense cold water, push on the dispenser switch with a glass.

**NOTE:** The dispenser is equipped with a light that turns on when the dispenser pad is engaged.



**⚠ WARNING:** Do not put your fingers up the ice chute opening. Doing so can result in severe injury.

**⚠ CAUTION:** Do not dispense ice into fine china or crystal glasses. China or crystal can break.



Some dripping may occur after dispensing. Hold your cup beneath the dispenser for a few seconds after dispensing to catch all of the drops.

## REFRIGERATOR SHELVES

The shelves in your refrigerator are adjustable to meet your individual storage needs. Your model may have glass or wire shelves.

Adjusting the shelves to fit different heights of items will make finding the exact item you want easier. Doing so will also reduce the amount of time the refrigerator door is open which will save energy.

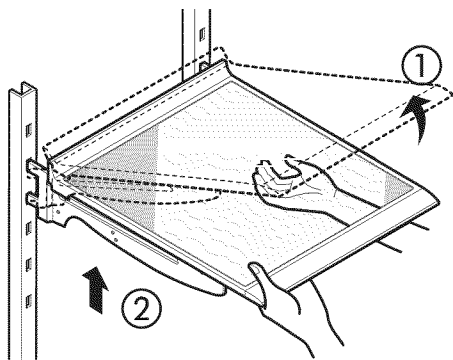
**IMPORTANT:** Do not clean glass shelves with warm water while they are cold. Shelves may break if exposed to sudden temperature changes or impact.

**⚠ CAUTION:** Glass shelves are heavy. Use special care when removing them.

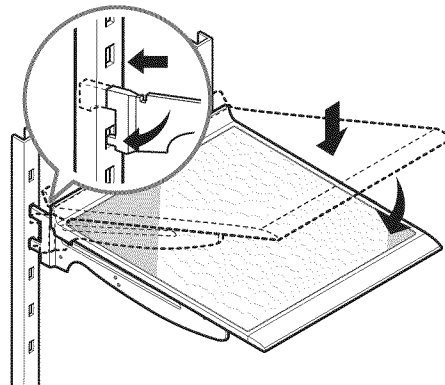
### Adjusting Shelves (Cantilever)

Remove shelves from the shipping position and replace shelves in the position you want.

**To remove a shelf**—Tilt up the front of the shelf in the direction of ① and lift it in the direction of ②. Pull the shelf out.



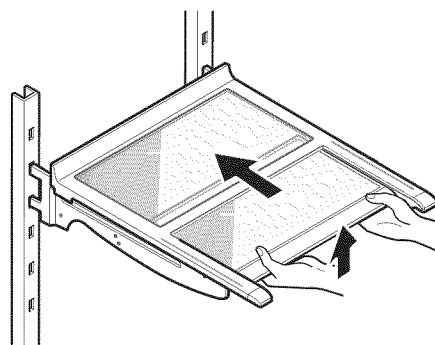
**To reinstall a shelf**—Tilt the front of the shelf up and guide the shelf hooks into the slots at a desired height. Then, lower the front of the shelf so that the hooks drop into the slots.



**⚠ CAUTION:** Make sure that shelves are level from one side to the other. Failure to do so may result in the shelf falling or spilling food.

### Folding Shelf (on some models)

You can store taller items, such as a gallon container or bottles, by simply pushing the front half of the shelf underneath the back half of the shelf. Pull the front of the shelf toward you to return to a full shelf.

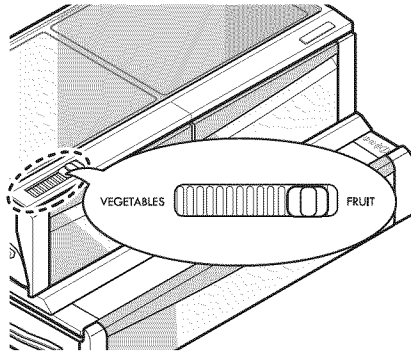


## HUMIDITY CONTROLLED CRISPER

The crispers provide fresher tasting fruit and vegetables by letting you easily control humidity inside the drawer.

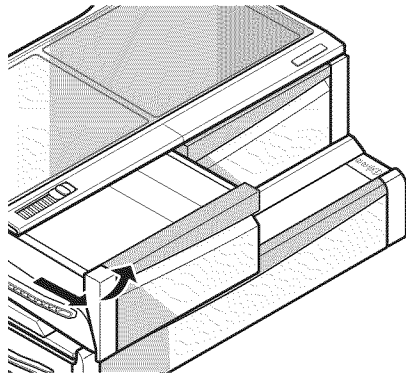
You can control the amount of humidity in the moisture-sealed crispers by adjusting the control to any setting between **VEGETABLES** and **FRUIT**.

- **VEGETABLES** keeps moist air in the crisper for best storage of fresh, leafy vegetables.
- **FRUIT** lets moist air out of the crisper for best storage of fruit.



## REMOVING THE HUMIDITY CONTROLLED CRISPER

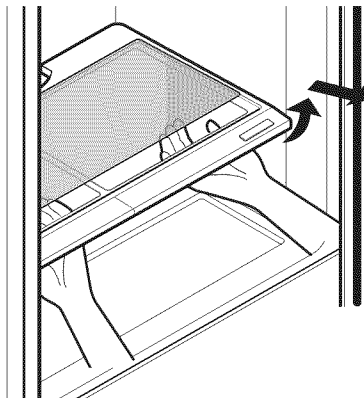
1. To remove, pull the drawer out to full extension.
2. Lift the front of the crisper up, then pull it straight out.
3. To install, slightly tilt up the front, insert the drawer into the frame and push it back into place.



### To remove the glass

1. Lift up the glass under the crisper cover.
2. Pull the glass up and out.

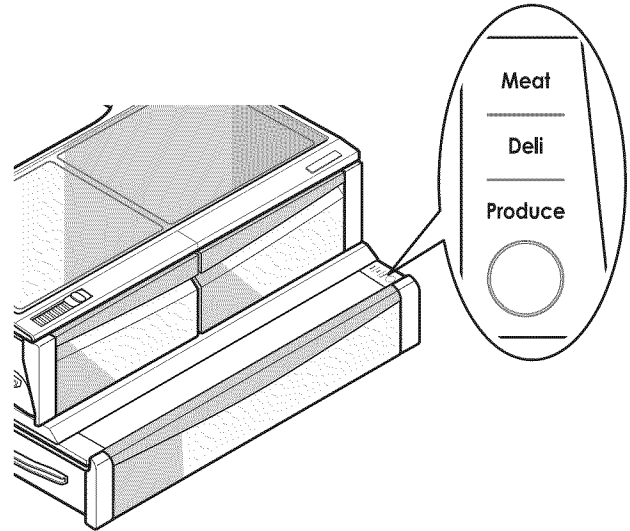
**NOTE:** Pantry drawer not shown for clarity.



## TEMPERATURE CONTROLLED PANTRY DRAWER

The **Temperature Controlled Pantry Drawer** provides storage space with a variable temperature control that can keep the compartment at a slightly different temperature than the refrigerator section. This drawer can be used for large party trays, deli items and beverages. (This drawer should not be used for vegetables that require high humidity.)

Press the button to choose between Meat (Coldest), Deli (Colder) and Produce (Cold).



**CAUTION:** Do not store glass bottles in the pantry. If they are frozen, they can break and cause personal injury.

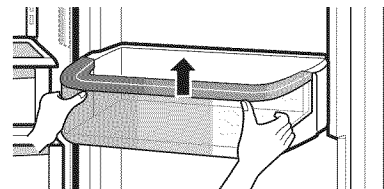
## DOOR BIN

The door bins are removable for easy cleaning and adjustment.

1. To remove the bin, simply lift the bin up and pull straight out.
2. To replace the bin, slide it in above the desired support and push down until it snaps into place.

**NOTE:** Some bins may vary in appearance and will only fit in one location.

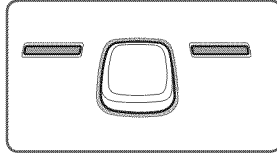
**CAUTION:** Do not overfill or pack items too tightly into door bins. Doing so may cause damage to the bin or personal injury if items are removed with excessive force.



## REPLACING THE AIR FILTER

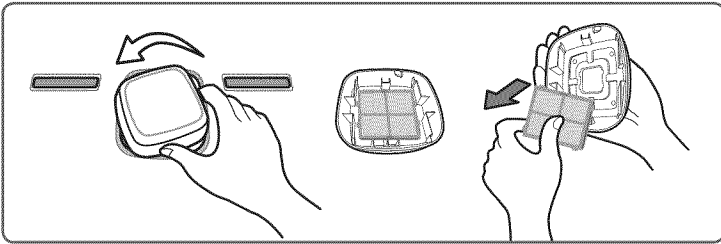
It is recommended that you replace the air filter:

- Approximately every six months.
- When the **CHANGE AIR FILTER** light turns on.



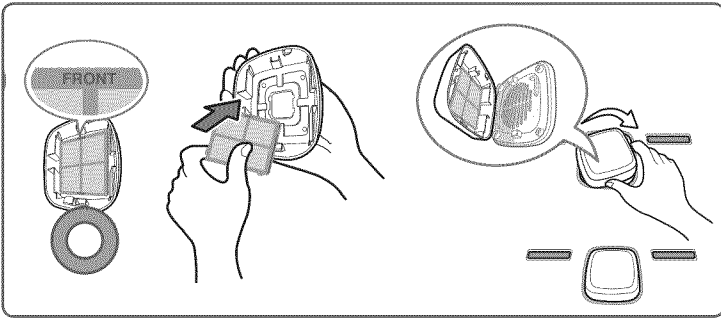
### 1. Remove the Old Filter

Turn the filter cover to the left to detach it from the refrigerator wall. The filter is located on the inside of the filter cover. Remove the filter from the cover and replace it with a new filter.



### 2. Install a New Air Filter.

Place the new filter inside of the cover with the side that says "Front" facing outward. Turn the filter cover to the right to attach it to the refrigerator wall.



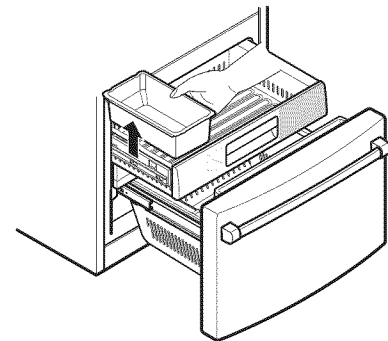
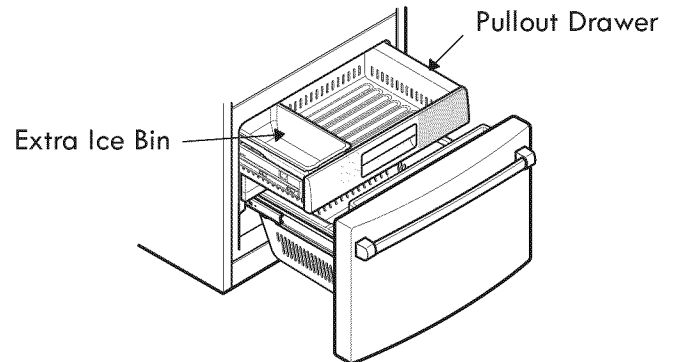
After changing the filter, push and hold the Air Filter button for three seconds to reset the filter sensor.

**NOTE:** To purchase a replacement air filter, visit your local Sears store, or in the U.S.A. call 1-844-553-6667, and in Canada 1-800-469-4663. For web purchase, visit: [www.kenmore.com](http://www.kenmore.com)

## FREEZER SECTION

### EXTRA ICE BIN

1. Pull the Freezer Drawer and the top Pullout Drawer out as far as possible to remove the Extra Ice Bin.
2. Gently lift and pull out the ice bin.
3. To replace, pull both drawers out as far as possible, and set the bin in its correct position in the Pullout Drawer. Close the Pullout Drawer and then the Freezer Drawer.

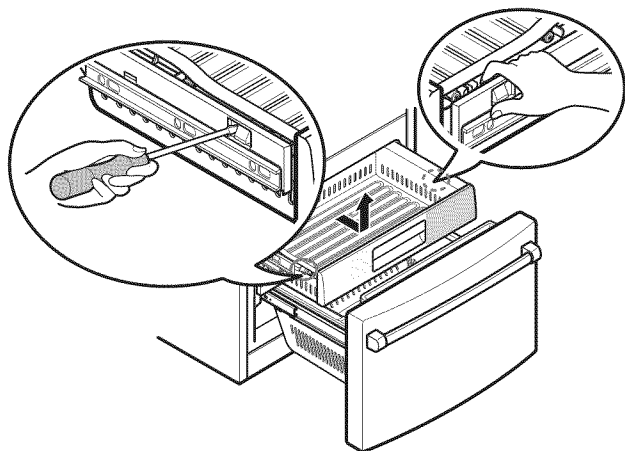


**▲ CAUTION:** Pinch hazard! Keep hands and feet clear of the bottom of the freezer drawer when opening and closing.

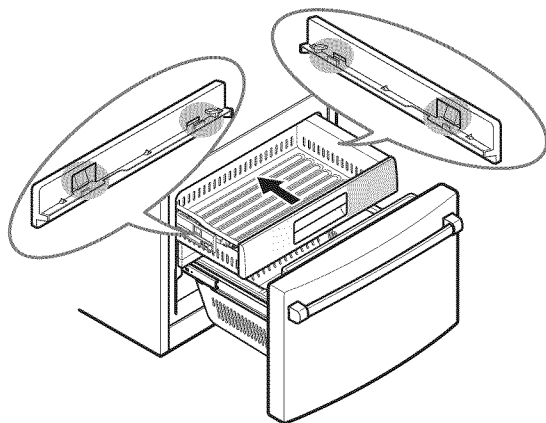
## PULLOUT DRAWERS

### Top Drawer

1. To remove, pull the drawer out to full extension. On the left rail, use a flat blade screwdriver to push in on the tab to release the drawer from the rail, as shown below. Once the left side is loose, push the tab on the right side with your finger to release the drawer. Lift the front of the drawer up, then pull it straight out.

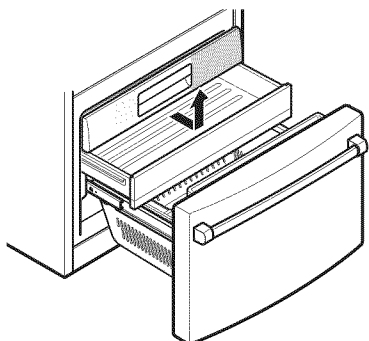


2. To replace, slightly tilt up the front of the drawer, insert the drawer into the frame, and push the drawer back into place until you hear a click.

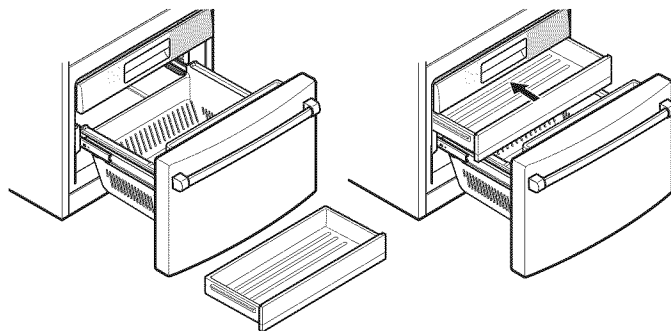


### Middle Drawer

1. To remove, pull the drawer out to full extension. Lift the front of the drawer up, then pull it straight out.

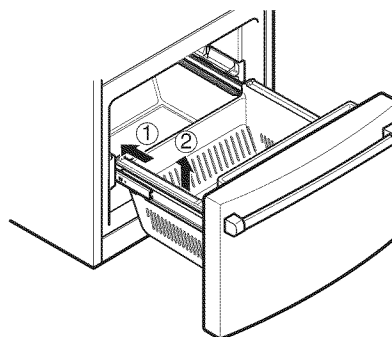


2. To replace, slightly tilt up the front of the drawer, insert the drawer into the frame, and push it back into place.



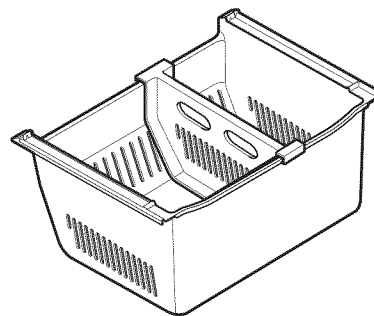
## DURABASE

1. To remove the Durabase, push it to the back as much as possible. Tilt up the front of the Durabase and pull straight out.
2. To replace, insert the Durabase in the rail assembly.



## DURABASE DIVIDER

The Durabase divider allows you to organize the Durabase area into sections. It can be adjusted from side to side to accommodate items of different sizes.



- ⚠ WARNING:** If the Durabase divider is removed, there is enough open space for children or pets to crawl inside. To prevent accidental child and pet entrapment or suffocation risk, **DO NOT** allow children or pets to touch or go near the drawer.

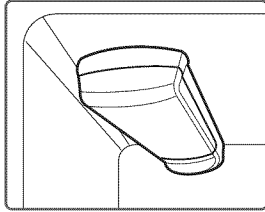
# WATER FILTER

## WATER FILTER



It is recommended that you replace the water filter:

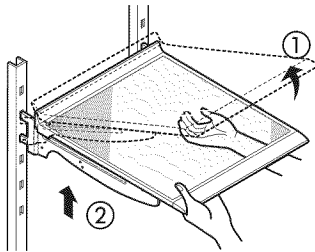
- Approximately every six months.
- When the water filter indicator turns on.
- When the water dispenser output decreases.
- When the ice cubes are smaller than normal.



### Before Replacing the Water Filter:

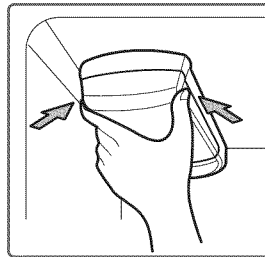
If the top shelf, located below the water filter, is in the highest position, it will need to be removed prior to replacing the water filter.

To remove any shelf—Tilt up the front of the shelf ① and lift it ②. Pull the shelf out.



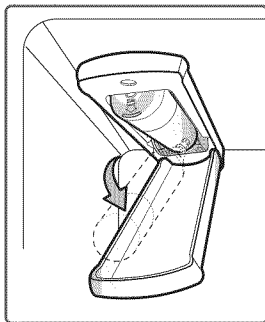
### 1. Remove the old water filter.

- Lower or remove the top left shelf to allow the water filter to rotate all the way down.
- Pinch the sides to open the water filter cover.



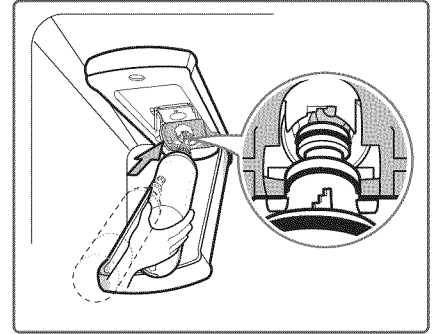
**NOTE:** Replacing the water filter causes a small amount of water (around 1 oz. or 25 cc) to drain. Place a cup under the front end of the water filter cover to collect any leaking water. Hold the water filter upright, once it is removed, to prevent any remaining water from spilling out of the water filter.

- Pull the water filter downward and pull out. Make sure to rotate the filter down completely before pulling it out of the manifold hole.

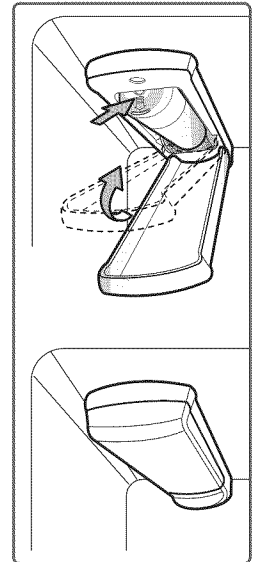


### 2. Replace with a new water filter.

- Take the new water filter out of its packing and remove the protective cover from the o-rings. With water filter tabs in the horizontal position, push the new water filter into the manifold hole until it stops.



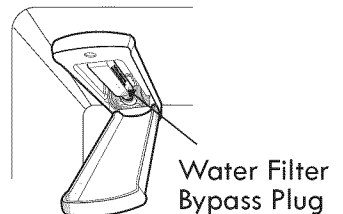
- Rotate the water filter up into position and close the cover. The cover will click when closed correctly.



3. After the water filter is replaced, dispense 2.5 gallons of water (flush for approximately 5 minutes) to remove trapped air and contaminants from the system. Do not dispense the entire 2.5 gallon amount continuously. Depress and release the dispenser pad for cycles of 30 seconds ON and 60 seconds OFF.

### 4. Water Filter Bypass Plug

Keep the water filter bypass plug. You **MUST** use the water filter bypass plug when a replacement water filter cartridge is not available.



**CAUTION:** DO NOT operate refrigerator without water filter or water filter plug installed.

**NOTE:** To purchase a replacement filter, visit your local Sears store, or in the U.S.A. call 1-844-553-6667, and in Canada 1-800-469-4663. For web purchase, visit: [www.kenmore.com](http://www.kenmore.com)

**Performance Data Sheet**

Use Replacement Cartridge: 04609690000P

The concentration of the indicated substances in water entering the system was reduced to a concentration less than or equal to the permissible limit for water leaving the system as specified in NSF/ANSI Standard 42 and Standard 53.



System tested and certified by NSF International against NSF/ANSI Standard 42 and Standard 53 for the reduction of substances listed below.

Contaminant Reduction	Average Influent	NSF specified Challenge Concentration	Avg % Reduction	Average Product Water Concentration	Max Permissible Product Water Concentration	NSF Reduction Requirements	NSF Test Report
Chlorine Taste and Odor	2.1 mg/L	2.0 mg/L ± 10%	97.2%	0.06 mg/L	N/A	≥ 50%	J-00049247
Nominal Particulate Class I, , ≥0.5 to < 1.0 µm	5,600,000 pts/mL	At least 10,000 particles/mL	98.7%	73,000 pts/ml	N/A	≥85%	J-00049282
Asbestos	190 MFL	107 to 108 MFL; fibers greater than 10 µm in length	>99%	< 1 MFL	N/A	≥99%	J-0004928
Atrazine	0.0094 mg/L	0.009 mg/L ± 10%	94.7%	0.00005 mg/L	0.003 mg/L	N/A	J-00049293
Benzene	0.016 mg/L	0.015 mg/L ± 10%	96.7%	0.005 mg/L	0.005 mg/L	N/A	J-00049300
Carbofuran	0.08 mg/L	0.08 mg/L ± 10%	98.1%	0.002 mg/L	0.04 mg/L	N/A	J-00049294
Lindane	0.002 mg/L	0.002 mg/L ± 10%	98.2%	0.00004 mg/L	0.0002 mg/L	N/A	J-00051975
P-Dichlorobenzene	0.22 mg/L	0.225 mg/L ± 10%	99.8%	0.0005 mg/L	0.075 mg/L	N/A	J-00049298
Toxaphene	0.014 mg/L	0.015 mg/L ± 10%	93%	0.001 mg/L	0.003 mg/L	N/A	J-00049302
2,4-D	0.213 mg/L	0.210 mg/L ± 10%	95.2%	0.009 mg/L	0.07 mg/L	N/A	J-00049284
Lead pH @6.5	0.150 mg/L	0.15 mg/L ± 10%	>99.3%	0.001 mg/L	0.010 mg/L	N/A	J-00051974
Lead pH @8.5	0.150 mg/L	0.15 mg/L ± 10%	>99.3%	0.001 mg/L	0.010 mg/L	N/A	J-00049277
Mercury @ pH 6.5	0.0059 mg/L	0.006 mg/L ± 10%	96.1	0.0002 mg/L	0.002 mg/L	N/A	J-00053886
Mercury @ pH 8.5	0.0058 mg/L	0.006 mg/L ± 10%	90.1	0.0006 mg/L	0.002 mg/L	N/A	J-00051972
Cyst*	120,000 cysts/L	Minimum 50,000 cysts/L	99.99%	<1 cyst/L	N/A	≥99.95%	J-00049281

\* Based on the use of Cryptosporidium parvum oocysts



Application Guidelines/Water Supply Parameters	
Service Flow	0.5 gpm (1.9 lpm)
Water Supply	Potable Water
Water Pressure	20-120 psi (138 - 827 kPa)
Water Temperature	33°F - 100°F (0.6°C - 38°C)

It is essential that the manufacturer's recommended installation, maintenance and water filter replacement requirements be carried out for the product to perform as advertised.

**NOTE:** While the testing was performed under standard laboratory conditions, actual performance may vary.

**NOTE:** To purchase a replacement filter, visit your local Sears store, or in the U.S.A. call 1-844-553-6667, and in Canada 1-800-469-4663.

For web purchase, visit: [www.kenmore.com](http://www.kenmore.com)  
Replacement Filter: ADQ36006102

Product distributed in the United States by Sears Brand Management Corporation.

3M is a trademark of 3M Company.

NSF is a trademark of NSF International.

© 2009 3M Company. All rights reserved.

## ⚠ WARNING

**To reduce the risk associated with ingestion of contaminants: Do not use with water that is microbiologically unsafe or of unknown quality without adequate disinfection before and after the system.** Systems certified for cyst reduction may be used on disinfected water that may contain filterable cysts. EPA Establishment Number 10350-MN-005

## ⚠ CAUTION

**To reduce the risk associated with property damage due to water leakage:**

- **Read and follow** the Water Filter instructions before installation and use of this system.
- Installation and use **MUST** comply with all state and local plumbing codes.
- **Do not** install if water pressure exceeds 120 psi (827 kPa). Contact a plumbing professional if you are uncertain of how to check your water pressure.
- **Do not** install where water hammer conditions may occur. If water hammer conditions exist, you must install a water hammer arrester. Contact a plumbing professional if you are uncertain of how to check for this condition.
- **Do not** install on hot water supply lines. The maximum operating water temperature of this water filter system is 100°F (38°C).
- **Protect water filter from freezing.** Do not operate refrigerator in ambient conditions below 55°F (12.7°C). Drain water filter when storing unit in temperatures below 40°F (4.4°C).
- The disposable water filter must be replaced every six months, at the rated capacity, or if a noticeable reduction in flow rate occurs.

State of California  
Department of Public Health  
Water Treatment Device  
Certificate Number  
09 - 2019

Date Issued: December 15, 2009

---

**Manufacturer:** Sears Roebuck and Co.

---

The water treatment device(s) listed on this certificate have met the testing requirements pursuant to Section 116830 of the Health and Safety Code for the following health related contaminants:

**Microbiological Contaminants and Turbidity**

Cysts

**Inorganic/Radiological Contaminants**

Asbestos

Lead

Mercury

**Organic Contaminants**

2,4-D Reduction

Atrazine

Benzene

Carbofuran

Lindane

p-Dichlorobenzene

Toxaphene

---

**Rated Service Capacity:** 200 gal

**Rated Service Flow:** 0.5 gpm

---

**Conditions of Certification:**

## CARE AND CLEANING

### **! WARNING**



#### **Explosion Hazard**

Use non-flammable cleaner. Failure to do so can result in fire, explosion, or death.

Both the refrigerator and freezer sections defrost automatically; however, clean both sections about once a month to prevent odors. Wipe up spills immediately.

#### **GENERAL CLEANING TIPS**

- Unplug refrigerator or disconnect power.
- Remove all removable parts, such as shelves, crispers, etc. Refer to sections in *Using Your Refrigerator* for removal instructions.
- Use a clean sponge or soft cloth and a mild detergent in warm water. Do not use abrasive or harsh cleaners.
- Hand wash, rinse and dry all surfaces thoroughly.
- Plug in refrigerator or reconnect power.

#### **EXTERIOR**

Waxing external painted metal surfaces helps provide rust protection. Do not wax plastic parts. Wax painted metal surfaces at least twice a year using appliance wax (or auto paste wax). Apply wax with a clean, soft cloth.

For products with a stainless steel exterior, use a clean sponge or soft cloth and a mild detergent in warm water. Do not use abrasive or harsh cleaners. Dry thoroughly with a soft cloth.

#### **INSIDE WALLS (allow freezer to warm up so the cloth will not stick)**

To help remove odors, you can wash the inside of the refrigerator with a mixture of baking soda and warm water. Mix 2 tablespoons of baking soda to 1 quart of water (26 g soda to 1 liter water.) Be sure the baking soda is completely dissolved so it does not scratch the surfaces of the refrigerator.

**! CAUTION:** While cleaning the inside, do not spray water.

#### **DOOR LINERS AND GASKETS**

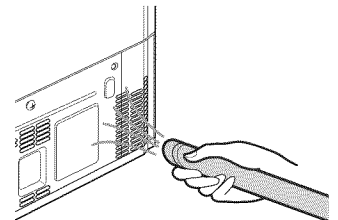
Use a clean sponge or soft cloth and a mild detergent in warm water. Do not use cleaning waxes, concentrated detergents, bleaches, or cleaners containing petroleum on plastic refrigerator parts.

#### **PLASTIC PARTS (Covers and Panels)**

Use a clean sponge or soft cloth and a mild detergent in warm water. Do not use window sprays, abrasive cleansers, or flammable fluids. These can scratch or damage the material.

#### **CONDENSER COILS**

Use a vacuum cleaner with an attachment to clean the condenser cover and vents. Do not remove the panel covering the condenser coil area.



### LIGHT BULB REPLACEMENT

#### **WARNING**

##### **Electrical Shock Hazard**

Before replacing a Compartment Lamp, either unplug the refrigerator or turn off power at the circuit breaker or fuse box.

**NOTE:** The refrigerator and freezer compartment lights have LED interior lighting, and service should be performed by a qualified technician.

### POWER INTERRUPTIONS

1. If the power will be out for 24 hours or less, keep all refrigerator doors closed to help foods stay cold and frozen.
2. If the power will be out for more than 24 hours, remove all frozen food and store it in a frozen food locker.

### WHEN YOU GO ON VACATION

**If you choose to leave the refrigerator on while you are away,** follow these steps to prepare your refrigerator before you leave.

1. Use up any perishables and freeze other items.
2. Turn off the icemaker and empty the ice bin.

**If you choose to turn the refrigerator off before you leave,** follow these steps.

1. Remove all food from the refrigerator.
2. Depending on your model, set the thermostat control (refrigerator control) to OFF. See the **Setting the Controls** section.
3. Clean the refrigerator, wipe it and dry well.
4. Tape rubber or wood blocks to the tops of both doors to prop them open far enough for air to get in. This stops odor and mold from building up.

### WHEN YOU MOVE

When you are moving your refrigerator to a new home, follow these steps to prepare it for the move.

1. Remove all food from the refrigerator and pack all frozen food in dry ice.
2. Unplug the refrigerator.
3. Clean, wipe and dry thoroughly.
4. Take out all removable parts, wrap them well and tape them together so they do not shift and rattle during the move. Refer to the **Using your Refrigerator** section for removable instructions.
5. Depending on the model, raise the front of the refrigerator so it rolls easier OR screw in the leveling legs all the way so they do not scrape the floor. See the **Door Closing** section.
6. Tape the doors shut and tape the power cord to the refrigerator cabinet.

When you get to your new home, put everything back and refer to the **Refrigerator Installation** section for preparation instructions.

# CONNECTING THE WATER LINE

## BEFORE YOU BEGIN

This water line installation is not covered by the refrigerator warranty. Follow these instructions carefully to minimize the risk of expensive water damage.

Water hammer (water banging in the pipes) in house plumbing can cause damage to refrigerator parts and can lead to water leakage or flooding. Call a qualified plumber to correct water hammer before installing the water supply line to the refrigerator.

**⚠ CAUTION:** To prevent burns and product damage, only connect the refrigerator water line to a cold water supply.

If you use your refrigerator before connecting the water line, make sure the icemaker is turned OFF at the control panel.

**⚠ CAUTION:** Do not install the icemaker tubing in areas where temperatures fall below freezing.

## WATER PRESSURE

**A cold water supply.** The water pressure must be between 20 and 120 psi. If the refrigerator is installed in an area with low water pressure (below 20 psi), you can install a booster pump to compensate for the low pressure.

If a **reverse osmosis water filtration system** is connected to your cold water supply, this water line installation is not covered by the refrigerator warranty. Follow the following instructions carefully to minimize the risk of expensive water damage.

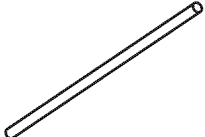
If a **reverse osmosis water filtration system** is connected to your cold water supply, the water pressure to the reverse osmosis system needs to be a minimum of 40 to 60 psi (276-414 kPa or 2.8-4.2 kgf/cm<sup>2</sup>, less than 2.0-3.0 sec. to fill a cup of 7 oz or 198 cc capacity).

If the water pressure from the reverse osmosis system is less than 20 psi or 138 kPa or 1.4 kgf/cm<sup>2</sup> (takes more than 4.0 sec to fill a cup of 7 oz or 198 cc capacity):

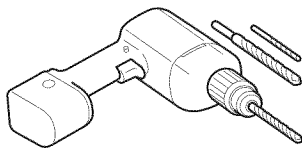
- Check to see if the sediment filter in the reverse osmosis system is blocked. Replace the filter if necessary.
- Allow the storage tank on the reverse osmosis system to refill after heavy usage.
- If the issue concerning water pressure from reverse osmosis remains, call a licensed, qualified plumber.
- All installations must be in accordance with local plumbing code requirements.

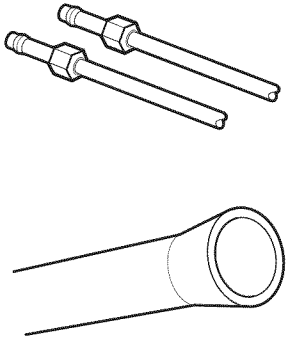
**⚠ CAUTION:** Wear eye protection during installation to prevent injury.

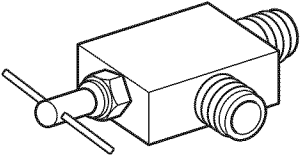
## WHAT YOU WILL NEED

- **Copper Tubing**, 1/4 in. outer diameter, to connect the refrigerator to the water supply. Be sure both ends of the tubing are cut square. 
- To determine how much tubing you need: measure the distance from the water valve on the back of the refrigerator to the water supply pipe. Then, add 8 feet (2.4 m). Be sure there is sufficient extra tubing (about 8 feet [2.4 m] coiled into 3 turns of about 10 in. [25 cm] diameter) to allow the refrigerator to move out from the wall after installation.

- **Power drill.**
- **1/2 in. or adjustable wrench.**
- **Flat blade and Phillips head screwdrivers.**

- **Two 1/4 in. outer diameter compression nuts and 2 ferrules (sleeves)** to connect the copper tubing to the shutoff valve and the refrigerator water valve. 

- If your existing copper water line has a flared fitting at the end, you will need an **adapter** (available at plumbing supply stores) to connect the water line to the refrigerator OR you can cut off the flared fitting with a tube cutter and then use a compression fitting. 

- **Shutoff valve to connect to the cold water line.** The shutoff valve should have a water inlet with a minimum inside diameter of 5/32 in. at the point of connection to the COLD WATER LINE. Saddle-type shutoff valves are included in many water supply kits. Before purchasing, make sure a saddle-type valve complies with your local plumbing codes. 

**NOTE:** A Self Piercing Saddle Type Water Valve should not be used.

## ⚠ WARNING

### Electrical Shock Hazard

When using any electrical device (such as a power drill) during installation, be sure the device is battery powered, double insulated or grounded in a manner that will prevent the hazard of electric shock.

## INSTALLATION INSTRUCTIONS

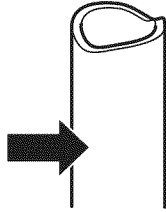
Install the shutoff valve on the nearest frequently used drinking water line.

### 1. SHUT OFF THE MAIN WATER SUPPLY

Turn on the nearest faucet to relieve the pressure on the line.

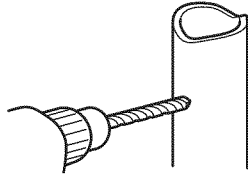
### 2. CHOOSE THE VALVE LOCATION

Choose a location for the valve that is easily accessible. It is best to connect into the side of a vertical water pipe. When it is necessary to connect into a horizontal water pipe, make the connection to the top or side, rather than at the bottom, to avoid drawing off any sediment from the water pipe.



### 3. DRILL THE HOLE FOR THE VALVE

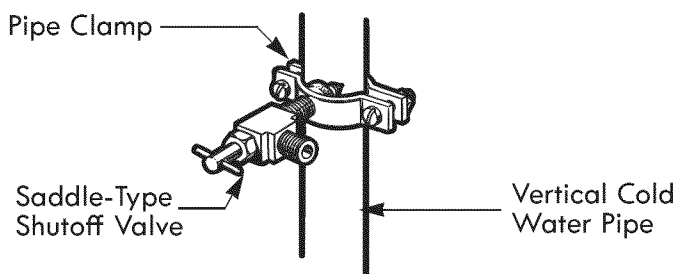
Drill a 1/4 in. hole in the water pipe using a sharp bit. Remove any burrs resulting from drilling the hole in the pipe. Be careful not to allow water to drain into the drill. Failure to drill a 1/4 in. hole may result in reduced ice production or smaller cubes.



**NOTE:** The hookup line cannot be white, plastic tubing. Licensed plumbers must use only copper tubing (NDA tubing #49595 or #49599) or Cross Link Polyethylene (PEX) tubing.

### 4. FASTEN THE SHUTOFF VALVE

Fasten the shutoff valve to the cold water pipe with the pipe clamp.

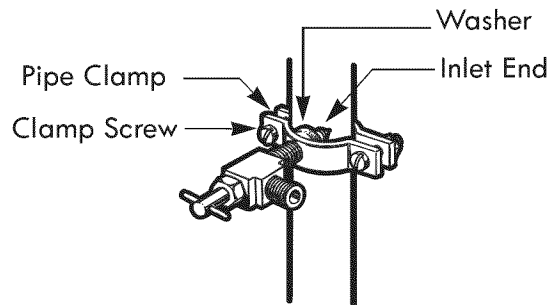


**NOTE:** Commonwealth of Massachusetts Plumbing Codes 248CMR shall be adhered to. Saddle valves are illegal and use is not permitted in Massachusetts. Consult with your licensed plumber.

### 5. TIGHTEN THE PIPE CLAMP

Tighten the clamp screws until the sealing washer begins to swell.

**NOTE:** Do not overtighten clamp or you may crush the tubing.



### 6. ROUTE THE TUBING

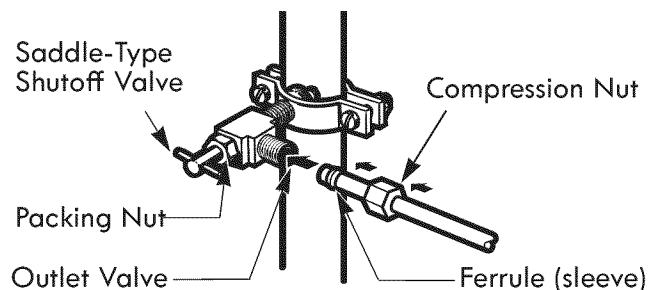
Route the tubing between the cold water line and the refrigerator.

Route the tubing through a hole drilled in the wall or floor (behind the refrigerator or adjacent base cabinet) as close to the wall as possible.

**NOTE:** Be sure there is sufficient extra tubing (about 8 feet coiled into 3 turns of about 10 in. diameter) to allow the refrigerator to move out from the wall after installation.

### 7. CONNECT THE TUBING TO THE VALVE

Place the compression nut and ferrule (sleeve) for copper tubing onto the end of the tubing and connect it to the shutoff valve. Make sure the tubing is fully inserted into the valve. Tighten the compression nut securely.

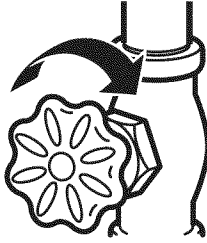


**NOTE:** Commonwealth of Massachusetts Plumbing Codes 248CMR shall be adhered to. Saddle valves are illegal and their use is not permitted in Massachusetts. Consult with your licensed plumber.

**8. FLUSH OUT THE TUBING**

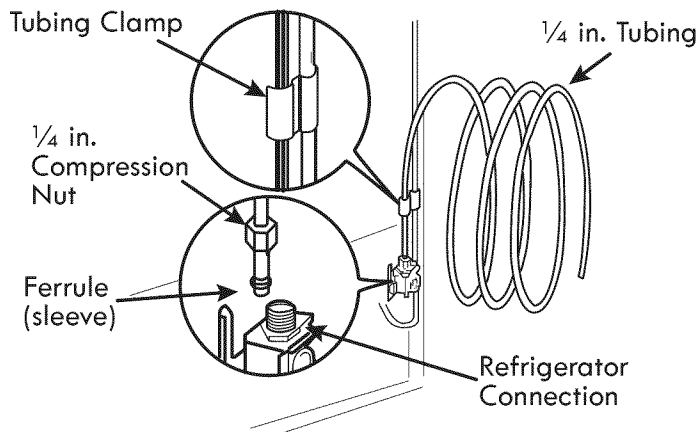
Turn the main water supply on and flush out the tubing until the water is clear.

Shut the water off at the water valve after about one quart of water has been flushed through the tubing.

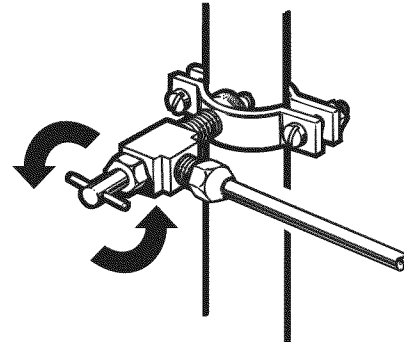
**9. CONNECT THE TUBING TO THE REFRIGERATOR****⚠ WARNING**

Before making the connection to the refrigerator, be sure that the refrigerator power cord is not plugged into the wall outlet.

1. Remove the plastic flexible cap from the water valve.
2. Place the compression nut and ferrule (sleeve) onto the end of the tubing as shown.
3. Insert the end of the copper tubing into the connection as far as possible. While holding the tubing, tighten the fitting.

**10. TURN THE WATER ON AT THE SHUTOFF VALVE**

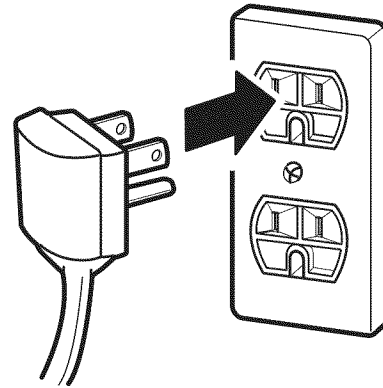
Tighten any connections that leak.



**⚠ CAUTION:** Check to see if leaks occur at the water line connections.

**11. PLUG IN THE REFRIGERATOR**

Arrange the coil of tubing so that it does not vibrate against the back of the refrigerator or against the wall. Push the refrigerator back to the wall.

**12. START THE ICEMAKER**

Turn the icemaker ON at the control panel.

The icemaker will not begin to operate until it reaches its operating temperature of 15°F (−9°C) or below. It will then begin operation automatically if the icemaker button has been turned ON.

# TROUBLESHOOTING GUIDE

Before conducting troubleshooting, make sure that the following basic requirements are met:

Service Flow	0.5 gpm (1.9 lpm)
Water Supply	Potable Water
Water Pressure	20-120 psi (138 - 827 kPa)
Operating Ambient Temperature Limits	55°F - 110°F
Electrical Ratings	115 Volts, 60 Hz, AC only, and fused at 15 or 20 amperes.

## COOLING

Problem	Possible Causes	Solutions
Refrigerator and Freezer section are not cooling.	The refrigerator control is set to OFF (some models).	Turn the control ON. Refer to the <b>Setting the Controls</b> section for proper temperature settings.
	Refrigerator is set to demo mode.	Demo Mode allows the lights and control display to work normally while disabling cooling to save energy while on the showroom floor. Refer to the <b>Setting the Controls</b> section for instructions on how to disable Demo Mode.
	Refrigerator is in the defrost cycle.	During the defrost cycle, the temperature of each compartment may raise slightly. Wait 30 minutes and confirm the proper temperature has been restored once the defrost cycle has completed.
	Refrigerator was recently installed.	It may take up to 24 hours for each compartment to reach the desired temperature.
	Refrigerator was recently relocated.	If the refrigerator was stored for a long period of time or moved on its side, it is necessary for the refrigerator to stand upright for 24 hours before connecting it to power.
Cooling System runs too much.	Refrigerator is replacing an older model.	Modern refrigerators require more operating time but use less energy due to more efficient technology.
	Refrigerator was recently plugged in or power restored.	The refrigerator will take up to 24 hours to cool completely.
	Door opened often or a large amount of food / hot food was added.	Adding food and opening the door warms the refrigerator, requiring the compressor to run longer in order to cool the refrigerator back down. In order to conserve energy, try to get everything you need out of the refrigerator at once, keep food organized so it is easy to find, and close the door as soon as the food is removed. (Refer to the <b>Food Storage Guide</b> .)
	Doors are not closed completely.	Firmly push the doors shut. If they will not shut all the way, see the <b>Doors will not close completely or pop open</b> section in <b>Parts &amp; Features Troubleshooting</b> .
	Refrigerator is installed in a hot location.	The compressor will run longer under warm conditions. At normal room temperatures (70°F) expect your compressor to run about 40% to 80% of the time. Under warmer conditions, expect it to run even more often. The refrigerator should not be operated above 110°F.
	Condenser / back cover is clogged.	Use a vacuum cleaner with an attachment to clean the condenser cover and vents. Do not remove the panel covering the condenser coil area.

## COOLING

Problem	Possible Causes	Solutions
Refrigerator or Freezer section is too warm.	Refrigerator was recently installed.	It may take up to 24 hours for each compartment to reach the desired temperature.
	Air vents are blocked.	Rearrange items to allow air to flow throughout the compartment. Refer to the Airflow diagram in the Using Your Refrigerator section.
	Doors are opened often or for long periods of time.	When the doors are opened often or for long periods of time, warm, humid air enters the compartment. This raises the temperature and moisture level within the compartment. To lessen the effect, reduce the frequency and duration of door openings.
	Unit is installed in a hot location.	The refrigerator should not be operated in temperatures above 110F.
	A large amount of food or hot food was added to either compartment.	Adding food warms the compartment requiring the cooling system to run. Allowing hot food to cool to room temperature before putting it in the refrigerator will reduce this effect.
	Doors not closed correctly.	See the Doors will not close correctly or pop open section in Parts & Features Troubleshooting.
	Temperature control is not set correctly.	If the temperature is too warm, adjust the control one increment at a time and wait for the temperature to stabilize. Refer to the Setting the Controls section for more information.
	Defrost cycle has recently completed.	During the defrost cycle, the temperature of each compartment may raise slightly and condensation may form on the back wall. Wait 30 minutes and confirm the proper temperature has been restored once the defrost cycle has completed.
Interior moisture buildup.	Doors are opened often or for long periods of time.	When the doors are opened often or for long periods of time, warm, humid air enters the compartment. This raises the temperature and moisture level within the compartment. To lessen the effect, reduce the frequency and duration of door openings.
	Doors not closed correctly.	See the Doors will not close correctly section in the Troubleshooting section.
	Weather is humid.	Humid weather allows additional moisture to enter the compartments when the doors are opened leading to condensation or frost. Maintaining a reasonable level of humidity in the home will help to control the amount of moisture that can enter the compartments.
	Defrost cycle recently completed.	During the defrost cycle, the temperature of each compartment may raise slightly and condensation may form on the back wall. Wait 30 minutes and confirm that the proper temperature has been restored once the defrost cycle has completed.
	Food is not packaged correctly.	Food stored uncovered or unwrapped, and damp containers can lead to moisture accumulation within each compartment. Wipe all containers dry and store food in sealed packaging to prevent condensation and frost.

**COOLING/ICE & WATER**

Problem	Possible Causes	Solutions
Food is freezing in the refrigerator compartment.	Food with high water content was placed near an air vent.	Rearrange items with high water content away from air vents.
	Refrigerator temperature control is set incorrectly.	If the temperature is too cold, adjust the control one increment at a time and wait for the temperature to stabilize. Refer to the <b>Setting the Controls</b> section for more information.
	Refrigerator is installed in a cold location.	When the refrigerator is operated in temperature below 41°F (5°C), food can freeze in the refrigerator compartment. The refrigerator should not be operated in temperature below 55°F (13°C).
Frost or ice crystals form on frozen food (outside of package).	Door is opened frequently or for long periods of time.	When the doors are opened often or for long periods of time, warm, humid air enters the compartment. This raises the temperature and moisture level within the compartment. Increased moisture will lead to frost and condensation. To lessen the effect, reduce the frequency and duration of door openings.
	Door is not closing properly.	Refer to the <b>Doors will not close correctly or pop open</b> section in the Troubleshooting section.
Refrigerator or Freezer section is too cold.	Incorrect temperature control settings.	If the temperature is too cold, adjust the control one increment at a time and wait for the temperature to stabilize. Refer to the <b>Setting the Controls</b> section for more information.
Frost or ice crystals on frozen food (inside of sealed package).	Condensation from food with a high water content has frozen inside of the food package.	This is normal for food items with a high water content.
	Food has been left in the freezer for a long period of time.	Do not store food items with high water content in the freezer for a long period of time.
Icemaker is not making enough ice.	Demand exceeds ice storage capacity.	The icemaker will produce approximately 70-182 cubes in a 24 hour period.
	House water supply is not connected, valve is not turned on fully, or valve is clogged.	Connect the refrigerator to a cold water supply with adequate pressure and turn the water shutoff valve fully open.  If the problem persists, it may be necessary to contact a plumber.
	Water filter has been exhausted.	It is recommended that you replace the water filter: <ul style="list-style-type: none"> <li>• Approximately every six months.</li> <li>• When the water filter indicator turns on.</li> <li>• When the water dispenser output decreases.</li> <li>• When the ice cubes are smaller than normal.</li> </ul>
	Low house water supply pressure.	The water pressure must be between 20 and 120 psi on models without a water filter and between 40 and 120 psi on models with a water filter.  If the problem persists, it may be necessary to contact a plumber or install a booster pump to compensate for the low pressure.
	Reverse Osmosis filtration system is used.	Reverse osmosis filtration systems can reduce the water pressure below the minimum amount and result in icemaker issues. (Refer to <b>Water Pressure</b> section.)
	Tubing connecting refrigerator to house supply valve is kinked.	The tubing can kink when the refrigerator is moved during installation or cleaning resulting in reduced water flow. Straighten or repair the water supply line and arrange it to prevent future kinks.



## ICE &amp; WATER

Problem	Possible Causes	Solutions
Icemaker is not making enough ice (continued).	Doors are opened often or for long periods of time.	If the doors of the unit are opened often, ambient air will warm the refrigerator which will prevent the unit from maintaining the set temperature. Lowering the refrigerator temperature can help, as well as not opening the doors as frequently.
	Doors are not closed completely.	If the doors are not properly closed, ice production will be affected. See the <b>Doors will not close completely or pop open</b> section in <b>Parts &amp; Features Troubleshooting</b> for more information.
	The temperature setting for the freezer is too warm.	The recommended temperature for the freezer compartment for normal ice production is 0°F. If the freezer temperature is warmer, ice production will be affected.
Dispensing water slowly.	Water filter has been exhausted.	It is recommended that you replace the water filter: <ul style="list-style-type: none"> <li>• Approximately every six months.</li> <li>• When the water filter indicator turns on.</li> <li>• When the water dispenser output decreases.</li> <li>• When the ice cubes are smaller than normal.</li> </ul>
	Reverse osmosis filtration system is used.	Reverse osmosis filtration systems can reduce the water pressure below the minimum amount and result in icemaker issues.  If the problem persists, it may be necessary to contact a plumber or install a booster pump to compensate for the low pressure.
	Low house water supply pressure.	The water pressure must be between 20 and 120 psi on models without a water filter and between 40 and 120 psi on models with a water filter.  If the problem persists, it may be necessary to contact a plumber or install a booster pump to compensate for the low pressure.
Not dispensing ice.	Doors are not closed completely.	Ice will not dispense if any of the refrigerator doors are left open.
	Infrequent use of the dispenser.	Infrequent use of the ice dispenser will cause the cubes to stick together over time, which will prevent them from properly dispensing. Check the ice bin for ice cubes clumping/sticking together. If they are, break up the ice cubes to allow for proper operation.
	The delivery chute is clogged with frost or ice fragments.	Eliminate the frost or ice fragments by removing the ice bin and clearing the chute with a plastic utensil. Dispensing cubed ice can also help prevent frost or ice fragment buildup.
	The dispenser display is locked.	Press and hold the Lock button for three seconds to unlock the control panel and dispenser.
	Ice bin is empty.	It may take up to 24 hours for each compartment to reach the desired temperature and for the icemaker to begin making ice. Make sure that the shutoff (arm/sensor) is not obstructed.  Once the ice supply in the bin has been completely exhausted, it may take up to 90 minutes before additional ice is available, and approximately 24 hours to completely refill the bin.

## ICE &amp; WATER

Problem	Possible Causes	Solutions
Icemaker is not making ice.	Refrigerator was recently installed or icemaker recently connected.	It may take up to 24 hours for each compartment to reach the desired temperature and for the icemaker to begin making ice.
	Icemaker not turned on.	Locate the icemaker ON/OFF button and confirm that it is turned ON.
	The refrigerator is not connected to a water supply or the supply shutoff valve is not turned on.	Connect refrigerator to the water supply and turn the water shutoff valve fully open.
	Icemaker shutoff (feeler arm) obstructed.	If your icemaker is equipped with an ice shutoff arm, make sure that the arm moves freely.
	Reverse osmosis water filtration system is connected to your cold water supply.	Reverse osmosis filtration systems can reduce the water pressure below the minimum amount and result in icemaker issues. (Refer to the <b>Water Pressure</b> section.)
Not dispensing water.	New installation or water line recently connected.	Dispense 2.5 gallons of water (flush for approximately 5 minutes) to remove trapped air and contaminants from the system. Do not dispense the entire 2.5 gallon amount continuously. Depress and release the dispenser pad for cycles of 30 seconds ON and 60 seconds OFF.
	The dispenser panel is locked.	Press and hold the Lock button for three seconds to unlock the control panel and dispenser.
	The dispenser is not set for water dispensing.	The dispenser can be set for ice or water. Make certain that the control panel is set for the proper operation. Press the <b>Water</b> button on the control panel to dispense water.
	Refrigerator or freezer doors are not closed properly.	Water will not dispense if any of the refrigerator doors are left open.
	Water filter has been recently removed or replaced.	After the water filter is replaced, dispense 2.5 gallons of water (flush for approximately 5 minutes) to remove trapped air and contaminants from the system. Do not dispense the entire 2.5 gallon amount continuously. Depress and release the dispenser pad for cycles of 30 seconds ON and 60 seconds OFF.
	Tubing connecting refrigerator to house supply valve is kinked.	The tubing can kink when the refrigerator is moved during installation or cleaning resulting in reduced water flow. Straighten or repair the water supply line and arrange it to prevent future kinks.
	The house water supply is not connected, the valve is not turned on fully, or the valve is clogged.	Connect refrigerator to the water supply and turn the water shutoff valve fully open.  If the problem persists, it may be necessary to contact a plumber.

## ICE &amp; WATER

Problem	Possible Causes	Solutions
Ice has bad taste or odor.	Water supply contains minerals such as sulfur.	A water filter may need to be installed to eliminate taste and odor problems. <b>NOTE:</b> In some cases, a filter may not help. It may not be possible to remove all minerals / odor / taste in all water supplies.
	Icemaker was recently installed.	Discard the first few batches of ice to avoid discolored or bad tasting ice.
	Ice has been stored for too long.	Ice that has been stored for too long will shrink, become cloudy, and may develop a stale taste. Throw away old ice and make a new supply.
	The food has not been stored properly in either compartment.	Rewrap the food. Odors may migrate to the ice if food is not wrapped properly.
	The interior of the refrigerator needs to be cleaned.	See the <b>Care and Cleaning</b> section for more information.
	The ice storage bin needs to be cleaned.	Empty and wash the bin (discard old cubes). Make sure that the bin is completely dry before reinstalling it.
Dispensing warm water.	Refrigerator was recently installed.	Allow 24 hours after installation for the water storage tank to cool completely.
	The water dispenser has been used recently and the storage tank was exhausted.	Depending on your specific model, the water storage capacity will range from approximately 20 to 30 oz.
	Dispenser has not been used for several hours.	If the dispenser has not been used for several hours, the first glass dispensed may be warm. Discard the first 10 oz.
	Refrigerator is connected to the hot water supply.	Make sure that the refrigerator is connected to a cold water pipe. <b>⚠WARNING:</b> Connecting the refrigerator to a hot water line may damage the icemaker.
Water has bad taste or odor.	Water supply contains minerals such as sulfur.	A water filter may need to be installed to eliminate taste and odor problems.
	Water filter has been exhausted.	It is recommended that you replace the water filter: <ul style="list-style-type: none"> <li>• Approximately every 6 months.</li> <li>• When the water filter indicator turns on.</li> <li>• When the water dispenser output decreases.</li> <li>• When the ice cubes are smaller than normal.</li> </ul>
	Refrigerator was recently installed.	Dispense 2.5 gallons of water (flush for approximately 5 minutes) to remove trapped air and contaminants from the system. Do not dispense the entire 2.5 gallon amount continuously. Depress and release the dispenser pad for cycles of 30 seconds ON and 60 seconds OFF.
Icemaker is making too much ice.	Icemaker shutoff (feeler arm) is obstructed.	Empty the ice bin. If your icemaker is equipped with an ice shutoff arm, make sure that the arm moves freely. Reinstall the ice bin and wait 24 hours to confirm proper operation.

## NOISE

Problem	Possible Causes	Solutions
Clicking	The defrost control will click when the automatic defrost cycle begins and ends. The thermostat control (or refrigerator control on some models) will also click when cycling on and off.	Normal Operation
Rattling	Rattling noises may come from the flow of refrigerant, the water line on the back of the unit, or items stored on top of or around the refrigerator.	Normal Operation
	Refrigerator is not resting solidly on the floor.	Floor is weak or uneven or leveling legs need to be adjusted. See the Door Alignment section.
	Refrigerator with linear compressor was jarred while running.	Normal Operation
Whooshing	Evaporator fan motor is circulating air through the refrigerator and freezer compartments.	Normal Operation
	Air is being forced over the condenser by the condenser fan.	Normal Operation
Gurgling	Refrigerant flowing through the cooling system.	Normal Operation
Popping	Contraction and expansion of the inside walls due to changes in temperature.	Normal Operation
Sizzling	Water dripping on the defrost heater during a defrost cycle.	Normal Operation
Vibrating	If the side or back of the refrigerator is touching a cabinet or wall, some of the normal vibrations may make an audible sound.	To eliminate the noise, make sure that the sides and back cannot vibrate against any wall or cabinet.
Dripping	Water running into the drain pan during the defrost cycle.	Normal Operation
Pulsating or High-Pitched Sound	Your refrigerator is designed to run more efficiently to keep your food items at the desired temperature. The high efficiency compressor may cause your new refrigerator to run longer than your old one, but it is still more energy efficient than previous models. While the refrigerator is running, it is normal to hear a pulsating or high-pitched sound.	Normal Operation

## PARTS &amp; FEATURES

Problem	Possible Causes	Solutions
Doors will not close correctly or pop open.	Food packages are blocking the door open.	Rearrange food containers to clear the door and door shelves.
	Ice bin, crisper cover, pans, shelves, door bins, or baskets are out of position.	Push bins all the way in and put crisper cover, pans, shelves and baskets into their correct positions. See the <b>Using Your Refrigerator</b> section for more information.
	The doors were removed during product installation and not properly replaced.	Remove and replace the doors according to the <b>Removing and Replacing Refrigerator Handles and Doors</b> section.
	Refrigerator is not leveled properly.	See <b>Door Alignment</b> in the <b>Refrigeration Installation</b> section to level refrigerator.
Doors are difficult to open.	The gaskets are dirty or sticky.	Clean the gaskets and the surfaces that they touch. Rub a thin coat of appliance polish or kitchen wax on the gaskets after cleaning.
	Door was recently closed.	When you open the door, warmer air enters the refrigerator. As the warm air cools, it can create a vacuum. If the door is hard to open, wait one minute to allow the air pressure to equalize, then see if it opens more easily.
Refrigerator wobbles or seems unstable.	Leveling legs are not adjusted properly.	Refer to the <b>Leveling and Door Alignment</b> section.
	Floor is not level.	It may be necessary to add shims under the leveling legs or rollers to complete installation.
Lights do not work.	LED interior lighting failure.	The refrigerator compartment lamp is LED interior lighting, and service should be performed by a qualified technician. Refer to the <b>Light Bulb Replacement</b> section.
Refrigerator has an unusual odor.	The Air Filter may need to be set to the MAX setting or replaced.	Set the Air Filter to the MAX setting. If the odor does not go away within 24 hours, the filter may need to be replaced. See the <b>Replacing the Air Filter</b> section for replacement instructions.
The interior of the refrigerator is covered with dust or soot.	The refrigerator is located near a fire source, such as a fireplace, chimney or candle.	Make sure that the refrigerator is not located near a fire source, such as a fireplace, chimney or candle.

## Kenmore Connect™ (On some models)

Should you experience any problems with your refrigerator, it has the capability of transmitting data via your telephone to the Kenmore Connect™ Team. This gives you the capability of speaking directly to our trained specialists. The specialist records the data transmitted from your machine and uses it to analyze the issue, providing a fast effective diagnosis.

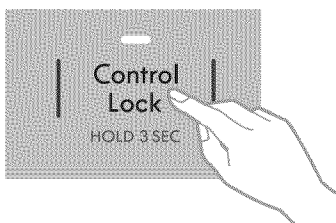
If you experience problems with your refrigerator, in the U.S.A. call 1-844-553-6667 and in Canada call 1-800-469-4663. Only use the Kenmore Connect™ feature when instructed to do so by the Kenmore Connect™ Team agent. The transmission sounds that you will hear are normal and sound similar to a fax machine.

Kenmore Connect™ cannot be activated unless your refrigerator is connected to power. If your refrigerator is unable to turn on, then troubleshooting must be done without using Kenmore Connect™.

## Using Kenmore Connect™

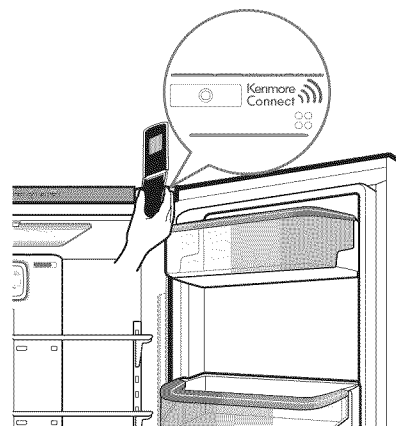
First, call 1-844-553-6667 (U.S.A.) or 1-800-469-4663 (Canada). If the number of the phone you are using is on file and is associated with your refrigerator, you will be quickly relayed to a Kenmore Connect™ team agent. Only use the Kenmore Connect™ feature when instructed to do so by the Kenmore Connect™ Team agent.

1. Lock the display. To lock the display, press and hold the Control Lock button for three seconds. (If the display has been locked for over five minutes, you must deactivate the lock and then reactivate it.)

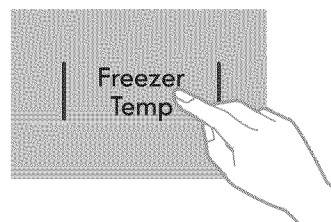


2. Open the right refrigerator door.

3. Hold the mouthpiece of your phone in front of the speaker that is located on the right hinge of the refrigerator door, when instructed to do so by the call center.



4. Press and hold the Freezer Temp button for three seconds while continuing to hold your phone to the speaker.



5. After you hear three beeps, release the Freezer Temp button.
6. Keep the phone in place until the tone transmission has finished. The display will count down the time. Once the countdown is over and the tones have stopped, resume your conversation with the specialist, who will then be able to assist you in using the information transmitted for analysis.

### NOTE:

- For best results, do not move the phone while the tones are being transmitted.
- If the call center agent is not able to get an accurate recording of the data, you may be asked to try again.

# ÍNDICE

<b>Garantía</b> .....	48	<b>► Sección congelador</b>	
<b>Contratos de protección</b> .....	49	Depósito de hielo adicional .....	72
<b>Instrucciones de seguridad importantes</b> .....	50-52	Cajón extraíble.....	73
<b>Requisitos eléctricos y de conexión a tierra</b> ....	52	Durabase .....	73
<b>Componentes y características</b> .....	53	Divisor Durabase.....	73
<b>Instalación del refrigerador</b> .....	54-61	<b>Filtro de agua</b> .....	74-77
Desembalaje del refrigerador .....	54	<b>Cuidado y limpieza</b> .....	78-79
Instalación .....	55	Sugerencias generales de limpieza .....	78
Desmontaje y colocación de las manijas y puertas del congelador.....	56-60	Exterior .....	78
Nivelación y alineación de las puertas .....	61	Paredes interiores.....	78
<b>Uso del refrigerador</b> .....	62-73	Revestimiento de las puertas y juntas.....	78
Ajuste de los controles .....	62-64	Piezas de plástico .....	78
Depósito de hielo del interior de la puerta.....	65	Bobinas del condensador .....	78
Máquina de hielo automática.....	66-67	Sustitución de la bombilla.....	79
Guía para el almacenamiento de alimentos .....	68	Interrupciones de alimentación.....	79
<b>► Sección refrigerador</b>		Cuando se va de vacaciones .....	79
Dispensador de agua.....	69	Cuando se muda.....	79
Estantes del refrigerador.....	70	<b>Conexión de la tubería de agua</b> .....	83-82
Cajón con control de humedad.....	71	<b>Guía para la solución de problemas</b> ....	83-90
Cajón dispensero con control de temperatura .....	71	<b>Kenmore Connect™</b> .....	91
Bandejas de puerta .....	71	<b>Servicio técnico</b> .....	Contraportada
Filtro de aire .....	72		



## GARANTÍA DEL REFRIGERADOR

### KENMORE PRO GARANTÍA LIMITADA

CON COMPROBANTE DE COMPRA, la siguiente cobertura de garantía aplica cuando este refrigerador se instala correctamente y se opera de acuerdo a las instrucciones proporcionadas.

**POR UN AÑO** a partir de la fecha de compra de este electrodoméstico contra defectos en materiales y mano de obra. Un electrodoméstico defectuoso recibirá reparación libre de cargos, o reemplazo a elección del vendedor. Esta cobertura de garantía aplica solamente por 90 días a partir de la fecha de compra en los Estados Unidos, y es nula en Canadá, si el electrodoméstico se emplea con propósitos diferentes al uso doméstico en el hogar.

**Garantía POR CINCO AÑOS**, a partir de la fecha de compra, en el sistema de refrigeración sellada en este electrodoméstico, contra defectos en materiales y mano de obra. Si una parte del sistema presenta defectos durante el primer año, se suministrará una nueva y se instalará sin cargo. Si una parte del sistema presenta defectos después del primer año, se suministrará una nueva pero no se instalará sin cargo. Usted es responsable de los costes de mano de obra para la instalación de los componentes después del primer año a partir de la fecha de compra. Esta cobertura de garantía aplica solamente por el primer año a partir de la fecha de compra en los Estados Unidos, y es nula en Canadá, si el electrodoméstico se emplea con propósitos diferentes al uso doméstico en el hogar.

El compresor lineal de este electrodoméstico tiene una garantía de **DIEZ AÑOS** contra defectos en materiales o mano de obra. Si el compresor presenta defectos durante el primer año, se suministrará uno nuevo y se instalará sin cargo. Si el compresor presenta defectos después del primer año, se suministrará uno nuevo pero no se instalará sin cargo. Usted es responsable de los costes de mano de obra para la instalación de los componentes después del primer año a partir de la fecha de compra. Esta cobertura de garantía aplica solamente por dos años a partir de la fecha de compra en Los Estados Unidos, y es nula en Canadá, si el electrodoméstico se emplea con propósitos diferentes al uso doméstico en el hogar.

Para conocer detalles acerca de la cobertura de garantía y para obtener reparación o reemplazo libre de cargos, visite la página web: [www.kenmore.com/warranty](http://www.kenmore.com/warranty)

#### Esta cobertura de garantía cubre **SOLAMENTE** defectos en materiales y mano de obra, y **NO** cubrirá gastos por:

1. Elementos consumibles que pueden desgastarse por el uso normal, incluyendo pero no limitados a; filtros, bandas, bolsas o bombillas eléctricas con base de rosca.
2. La visita de un técnico de servicio para limpieza o mantenimiento de este electrodoméstico, o para instruir al usuario acerca de la correcta instalación, operación y mantenimiento del electrodoméstico.
3. Llamadas solicitando servicio para corregir una instalación del electrodoméstico no realizada por agentes de servicio autorizados por Sears, o para reparar problemas originados por dicha instalación en fusibles domésticos, interruptores de circuito, cableado eléctrico doméstico y sistemas de plomería o suministro de gas.
4. Daños a, o fallas de este electrodoméstico, originados por una instalación no realizada por agentes de servicio autorizados por Sears, incluyendo una instalación no acorde con códigos eléctricos, de gas o plomería.
5. Daños a, o fallas de este electrodoméstico, incluyendo decoloración u oxidación de superficies, si no es correctamente operado y mantenido de acuerdo a las instrucciones proporcionadas.
6. Daños a, o fallas de este electrodoméstico, incluyendo decoloración u oxidación de superficies, originados por accidente, alteración, abuso, uso inapropiado o por empleo distinto a su intención de uso.
7. Daños a, o fallas de este electrodoméstico, incluyendo decoloración u oxidación de superficies, originados por uso de detergentes, limpiadores, químicos o utensilios distintos a los recomendados en las instrucciones proporcionadas con el producto.
8. Daños a, o fallas de partes o sistemas originados por modificaciones efectuadas sin autorización en este electrodoméstico.
9. Servicio a un electrodoméstico si la placa de modelo y número de serie está ausente, alterada o no puede determinarse fácilmente que tenga el logo de certificación.

#### Exención de garantías implícitas; limitación de remedios

El único y exclusivo remedio para el cliente bajo esta garantía limitada será la reparación del producto o su reemplazo, tal como se establece en este documento. Las garantías implícitas, incluyendo garantías de comerciabilidad o idoneidad para un propósito particular, quedan limitadas a un año para el electrodoméstico, cinco años para el sistema sellado, y diez años para el compresor lineal, o por el período más corto permitido por la ley. El vendedor no será responsable por daños y perjuicios incidentales o consecuentes. Algunos estados y provincias no permiten la exclusión de limitación de daños y perjuicios incidentales o consecuentes, o la limitación en la duración de garantías implícitas de comerciabilidad o idoneidad, por tanto, estas exclusiones o limitaciones pueden no aplicar en su caso.

Esta garantía solamente aplica cuando se utiliza este electrodoméstico en los Estados Unidos o en Canadá\*.

Esta garantía le confiere a usted derechos legales específicos, y usted puede también tener otros derechos que varían de estado a estado.

\* En Canadá no se dispone de servicio de reparación a domicilio en todas las áreas geográficas, esta garantía no cubrirá los gastos de desplazamiento del usuario o servicio técnico, ni gastos de transporte, si este producto se encuentra en un área remota (según lo define Sears Canadá Inc.) donde no se disponga de un servicio técnico autorizado.

Sears Brands Management Corporation, Hoffman Estates, IL 60179  
Sears Canada Inc., Toronto, Ontario, Canada M5B 2C3

# CONTRATOS DE PROTECCIÓN

## Contratos maestros de protección

Felicidades por haber realizado una compra inteligente. Su nuevo producto Kenmore® ha sido diseñado y fabricado para proporcionarle años de funcionamiento fiable. No obstante, al igual que cualquier otro producto, es posible que requiera un mantenimiento preventivo o alguna reparación cada cierto tiempo. Por este motivo, disponer de un contrato maestro de protección puede ahorrarle dinero y molestias.

El contrato maestro de protección también le ayuda a prolongar la vida de este nuevo producto. A continuación, se indica lo que incluye este contrato\*:

- **Material y mano de obra** necesarios para mantener los productos en funcionamiento **bajo uso normal**, no únicamente los defectos de fabricación. Nuestra cobertura es **muy superior a la garantía del producto**. No hay ninguna avería funcional deducible que se excluya de la cobertura: **se trata de una protección real**.
- **Servicio experto** llevado a cabo por un personal de **más de 10.000 técnicos de servicio expertos de Sears**, lo que significa que alguien en quien puede confiar trabajará en su producto.
- **Sin límite de solicitudes de reparación y servicio en el país**, con tanta frecuencia como desee y en cualquier momento.
- **Funcionamiento garantizado:** sustitución del producto cubierto por el servicio si se producen cuatro o más averías del producto en un plazo de 12 meses.
- **Sustitución del producto:** si el producto cubierto por el servicio no se puede reparar.
- **Comprobación anual de mantenimiento preventivo** si lo solicita, sin ningún gasto adicional.
- **Ayuda rápida por teléfono:** también llamada **solución rápida** – Asistencia por teléfono de un representante de Sears para cualquier producto. Puede pensar en nosotros como un “manual del usuario parlante”.

- **Protección de sobretensiones** contra daños eléctricos debidos fluctuaciones de energía.
- **Protección por pérdida de alimentos de 250 dólares** al año por cualquier alimento que quede inservible a consecuencia de un fallo mecánico de cualquier refrigerador o congelador cubierto por el servicio.
- **Reembolso del alquiler** si la reparación del producto cubierto por el servicio tarda más de lo previsto.
- **25% de descuento** del precio habitual de cualquier servicio de reparación y componente instalado relacionado no cubierto por el servicio.

Una vez adquirido el contrato, sólo tendrá que realizar una llamada de teléfono para programar el servicio. Puede llamarnos en cualquier momento del día o de la noche, o fijar la cita de la reparación a través de Internet.

El contrato maestro de protección es una compra sin riesgos. Si por cualquier motivo cancela el contrato durante el plazo de garantía del producto, le devolveremos todo el importe o bien una cantidad prorrateada una vez que haya finalizado el plazo de garantía del producto. Adquiera hoy mismo su contrato maestro de protección.

**Se aplican ciertas limitaciones y exclusiones.**

**Para consultar las tarifas y obtener más información en EE. UU. llame al número de teléfono 1-800-827-6655.**

**\* La cobertura en Canadá varía en algunos aspectos. Para obtener más información, llame a Sears Canada al 1-800-361-6665.**

### Servicio de instalación de Sears

Para solicitar la instalación profesional de Sears de electrodomésticos, mecanismos de apertura de puertas de garaje, calentadores de agua y otros electrodomésticos de gran tamaño, **llame en EE.UU. 1-844-553-6667. y llame en Canadá 1-800-469-4663.**

## REGISTRO DEL PRODUCTO

En el espacio siguiente, anote la fecha de la compra, el modelo y el número de serie del producto. Encontrará el modelo y el número de serie impreso en la placa de identificación situada en el revestimiento interior del compartimiento del refrigerador. Tenga esta información a mano siempre que se ponga en contacto con Sears en relación con su producto.

N.º de modelo \_\_\_\_\_

Fecha de compra \_\_\_\_\_

N.º de serie. \_\_\_\_\_

Guarde estas instrucciones y su ticket de compra para futuras consultas.

# INSTRUCCIONES IMPORTANTES SOBRE SEGURIDAD

## PRECAUCIONES BÁSICAS DE SEGURIDAD

Este manual contiene muchos mensajes de seguridad importantes. **Lea y cumpla** siempre todos los mensajes de seguridad.



Éste es el símbolo de alerta de seguridad. Le avisa de mensajes de seguridad que le informan de peligros de muerte o lesiones para usted o los demás, o que puedan dañar el producto.

Todos los mensajes de seguridad estarán precedidos del símbolo de alerta de seguridad y de las palabras de señal de peligro PELIGRO, ADVERTENCIA o PRECAUCIÓN. Estas palabras significan:

**! PELIGRO**

Si no respeta las instrucciones, **morirá o sufrirá lesiones graves.**

**! ADVERTENCIA**

Si no respeta las instrucciones, **podría morir o sufrir lesiones graves.**

**! PRECAUCIÓN**

Indica una situación de peligro inminente que, si no se evita, **podría** provocar lesiones leves o moderadas, o daños en el producto.

Todos los mensajes de seguridad le indicarán el peligro, lo que debe hacer para reducir la probabilidad de lesiones y lo que puede ocurrirle si no se siguen las instrucciones.

## **! ADVERTENCIA**

**Para reducir el riesgo de incendio, descarga eléctrica o lesiones personales al utilizar el producto, se deben respetar una serie de precauciones de seguridad básicas, entre las que se incluyen las siguientes:**

**Lea todas las instrucciones antes de utilizar este electrodoméstico.**

- NUNCA desenchufe el refrigerador tirando del cable de corriente. Agarre siempre el enchufe firmemente y tire del mismo para retirarlo de la toma de corriente.
- Si el cable de alimentación se encuentra dañado deberá ser sustituido por el fabricante, por un servicio técnico autorizado o personal cualificado para evitar riesgos innecesarios. No use un cable con grietas o abrasiones sobre su extensión o en los extremos del enchufe o conector.
- No modifique ni alargue la longitud del cable de corriente, ya que podría causar una descarga eléctrica o provocar un incendio.
- Cuando separe el refrigerador de la pared, tenga cuidado de no torcer o dañar el cable de alimentación.

- NO guarde ni utilice gasolina ni ningún otro gas o líquido inflamable cerca de este electrodoméstico o de cualquier otro.
- NO permita que los niños escalen, se monten o se cuelguen de las puertas o estantes del refrigerador. Podrían dañar el refrigerador o sufrir lesiones graves.
- Mantenga los dedos lejos de los puntos de riesgo de pinzamiento; las distancias de separación entre las puertas y los gabinetes son necesariamente pequeños. Tenga especial cuidado al cerrar las puertas cuando haya niños cerca.
- Desenchufe el refrigerador antes de limpiar o realizar cualquier reparación.

**NOTA:** Se recomienda encarecidamente que cualquier reparación sea realizada por un técnico cualificado.

## GUARDE ESTAS INSTRUCCIONES

## ⚠️ ADVERTENCIA

- Antes de sustituir una bombilla fundida o rota, desenchufe el refrigerador o corte la corriente en el disyuntor o caja de fusibles con el fin de evitar el contacto con un cable con corriente. (Una bombilla fundida puede romperse en el momento de cambiarla, por lo que queda expuesto un cable con corriente).

**NOTA:** Algunos modelos disponen de iluminación interior mediante LED, por lo que el mantenimiento deberá ser realizado por un técnico cualificado.

**ADVERTENCIA:** Poner uno o ambos controles en posición de apagado (OFF) no corta la alimentación de circuito de iluminación.

- Cuando haya terminado, vuelva a conectar el refrigerador a la red eléctrica y restablezca los controles (Termostato, Control del refrigerador y/o Control del congelador, en función del modelo) al ajuste deseado.
- Este refrigerador se debe instalar correctamente de acuerdo con las instrucciones importantes para el instalador incluidas en la hoja adhesiva pegada al frontal del refrigerador.
- Cuando el refrigerador esté en funcionamiento, no toque las superficies frías del compartimiento del congelador con las manos húmedas o mojadas. La piel se podría adherir a las superficies extremadamente frías.

- NO toque el mecanismo de fabricación automática de hielo mientras esté el refrigerador enchufado.
- NO vuelva a congelar alimentos congelados que se hayan descongelado completamente. El Departamento de Agricultura de Estados Unidos, en el boletín n.º 69 de Casa y Jardín, dice:

...Se pueden volver a congelar con seguridad alimentos congelados que se hayan descongelado si aún contienen cristales de hielo o si aún siguen fríos: por debajo de los 4 °C.

...La carne picada, la carne de ave o el pescado descongelados cuyo olor o color indiquen mal estado no deberían volver a congelarse ni deberían comerse. El helado descongelado se debe desechar. Si el olor o el color de cualquier alimento ha perdido frescura o es cuestionable, deséchelo. Comer este tipo de alimentos puede ser peligroso.

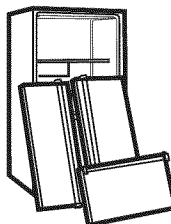
Incluso si se descongela parcialmente un alimento y se vuelve a congelar, su calidad alimenticia se ve reducida, particularmente si se trata de frutas, verduras y comida preparada. La calidad alimenticia de las carnes rojas se ve menos afectada que la de la mayoría de alimentos. Utilice los alimentos recongelados lo antes posible para salvaguardar el máximo de calidad.

**⚠️ ADVERTENCIA :** Este producto contiene químicos conocidos por el Estado de California como causantes de cáncer y defectos de nacimiento u otros daños reproductivos. *Lávese las manos después de usarlo.*

## GUARDE ESTAS INSTRUCCIONES

## ⚠️ PELIGRO: RIESGO DE ATRAPAMIENTO DE NIÑOS

Los refrigeradores desechados o abandonados son peligrosos, incluso si sólo es por unos pocos días. Si va a deshacerse de su antiguo refrigerador, le recomendamos que siga las instrucciones que encontrará a la derecha para evitar posibles accidentes (atrapamiento de niños y asfixia).



### ANTES DE DESECHAR SU ANTIGUO REFRIGERADOR O CONGELADOR:

- Desmonte las puertas.
- Deje los estantes en su sitio para que los niños no puedan trepar con facilidad al interior.

## ELIMINACIÓN DE CFC

Es posible que su antiguo refrigerador tenga un sistema de refrigeración que use CFC (clorofluorocarbonos). Se cree que los CFC son perjudiciales para el ozono estratosférico.

Si va a desechar su antiguo refrigerador, asegúrese de que un técnico cualificado se encargue de retirar el refrigerante de CFC para su adecuada eliminación. Si de forma intencionada libera este refrigerante de CFC, podría estar sujeto a multas y penas de prisión según lo previsto en la legislación medioambiental.

## REQUISITOS ELÉCTRICOS Y DE CONEXIÓN A TIERRA

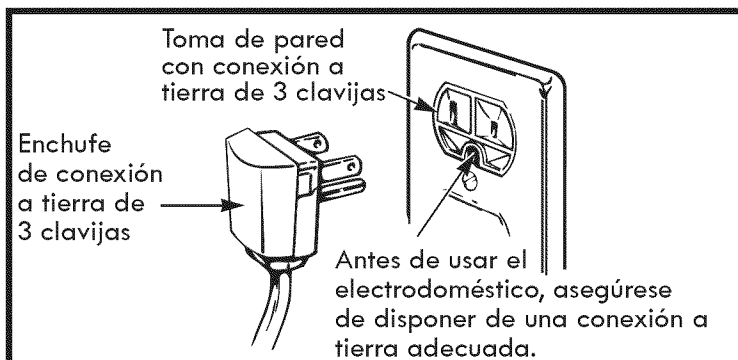
**IMPORTANTE:** Lea atentamente la siguiente información.

### PARA CONECTAR LA ELECTRICIDAD

#### **! ADVERTENCIA**

##### **Riesgo de descargas eléctricas**

**POR MOTIVOS DE SEGURIDAD PERSONAL**, este electrodoméstico debe estar conectado a tierra adecuadamente. Solicite a un electricista cualificado que compruebe la toma de corriente y el circuito eléctrico para asegurarse de que la toma de corriente está correctamente conectada a tierra.



### MÉTODO DE CONEXIÓN A TIERRA RECOMENDADO

El refrigerador debe estar siempre enchufado a su toma de corriente individual conectada a tierra adecuadamente con una tensión nominal de 115 voltios, 60 Hz, sólo CA, y protegida mediante fusible a 15 ó 20 amperios. Esta configuración proporciona el mejor rendimiento y, al mismo tiempo, evita la sobrecarga de la instalación eléctrica de la casa que podría provocar un peligro de incendio debido a un sobrecalentamiento de los cables. Se recomienda disponer de un circuito independiente para la exclusiva alimentación de este electrodoméstico.

Use un receptáculo que no se pueda apagar con un interruptor o una cadena de tracción. No utilice un alargador de corriente.

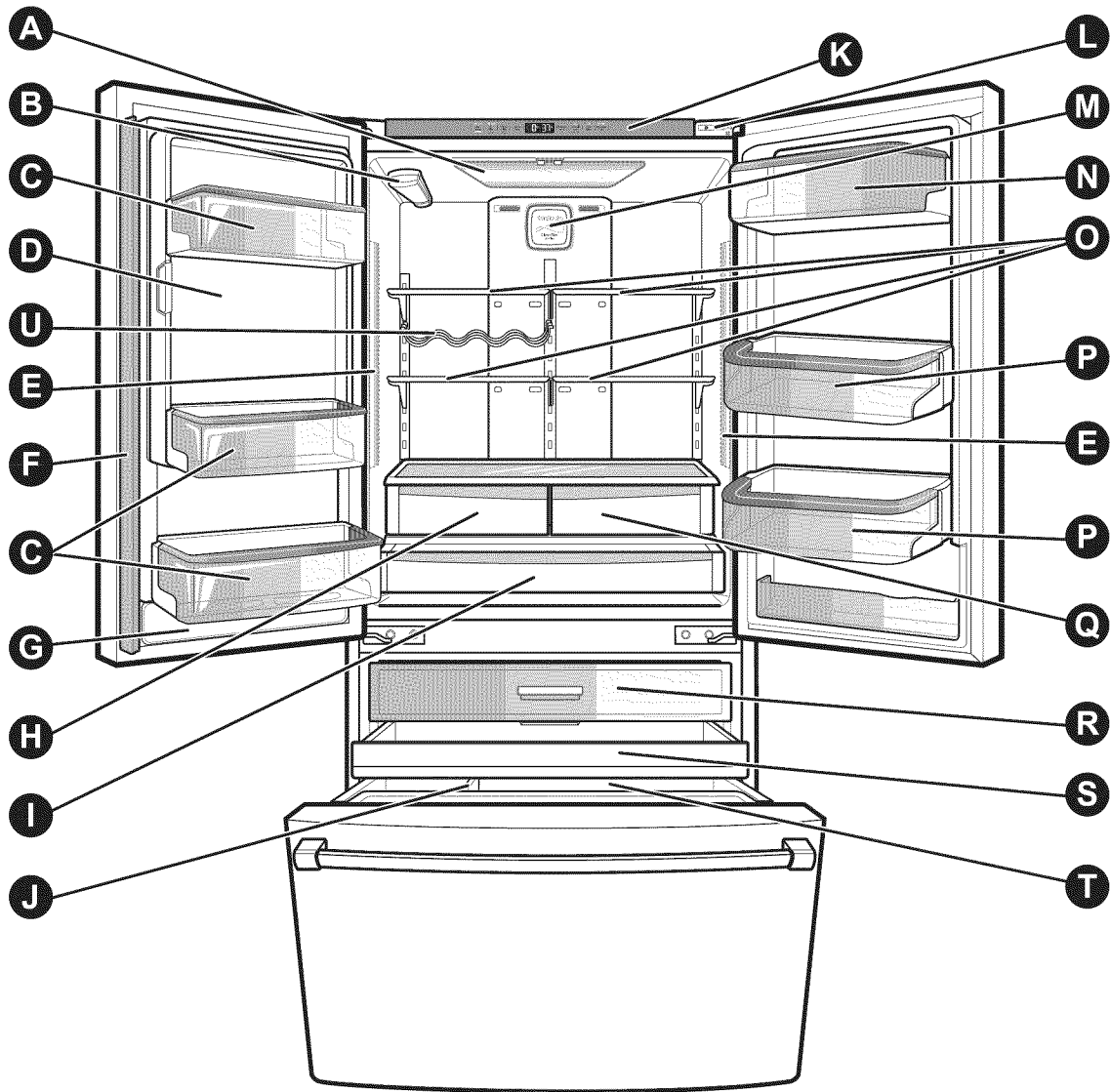
Si únicamente se dispone de una toma de corriente de 2 clavijas, será responsabilidad y obligación suya sustituirla por otra de 3 clavijas con una conexión a tierra adecuada.

### USO DE CABLES ALARGADORES

Debido a los posibles peligros de seguridad que se pueden producir bajo ciertas condiciones, no se recomienda el uso de un cable alargador. Sin embargo, si a pesar de ello elige usar un cable alargador, es absolutamente necesario que sea un cable alargador para electrodomésticos de 3 clavijas con conexión a tierra y clasificación UL (EE. UU.), que disponga de un enchufe y una toma de corriente con conexión a tierra, y que la clasificación eléctrica del cable sea de 15 amperios (mínimo) y 120 voltios.

El uso de un cable alargador aumentará la separación necesaria para la parte posterior del refrigerador.

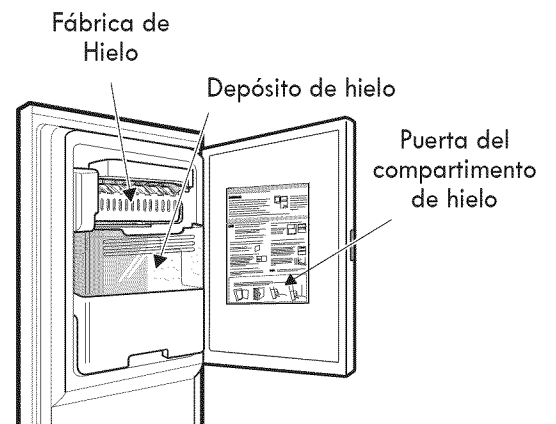
# COMPONENTES Y CARACTERÍSTICAS



Use esta página para familiarizarse con los componentes y características del refrigerador. Para su comodidad, se incluyen referencias a las páginas.

**NOTA:** Esta guía cubre varios modelos distintos. El refrigerador que ha adquirido puede tener algunos o todos los componentes que se enumeran a continuación. Es posible que las ubicaciones de las características que se indican no coincidan con su modelo.

- A** Luz del refrigerador
- B** Filtro de agua (interior)
- C** Bandejas de puerta fijas
- D** Compartimento de hielo (Máquina de hielo y depósito de hielo)
- E** Refrigerador de luz
- F** Parteluz articulado
- G** Tapa del depósito de agua
- H** Cajón con control de humedad
- I** Cajón dispensero con control de temperatura
- J** Divisor Durabase
- K** Panel de control
- L** Kenmore Connect™
- M** Filtro de aire
- N** Bandeja para lácteos
- O** Estantes del refrigerador
- P** Bandejas de puerta ajustables
- Q** Cajón hermético
- R** Cajón extraíble Top
- S** Medio cajón extraíble
- T** Durabase
- U** Estante del vino



# INSTALACIÓN DEL REFRIGERADOR

## **! ADVERTENCIA**

### **Riesgo de peso excesivo:**

El desplazamiento e instalación del refrigerador deben realizarse entre dos o más personas. Si no se respeta esta advertencia, se podrán producir lesiones en la espalda o de otro tipo.

## **! ADVERTENCIA**

### **Riesgo de peso excesivo:**

Su refrigerador es muy pesado. Al desplazarlo para su limpieza o mantenimiento, asegúrese de proteger el suelo. Siempre debe tirar del refrigerador en línea recta cuando los desplace. No menee ni zigzaguee el refrigerador al tratar de desplazarlo, ya que esto puede dañar el suelo.

## DESEMBALAJE DEL REFRIGERADOR

Antes de su uso, retire la cinta adhesiva y todas las etiquetas temporales del refrigerador. No retire las etiquetas que indican advertencias, la etiqueta de modelo y número de serie ni la Hoja técnica que está ubicada debajo del frontal del refrigerador, detrás de la rejilla de la base.

Para retirar los restos de pegamento o cinta adhesiva, frote enérgicamente el área con el pulgar. Los residuos de pegamento o cinta adhesiva también se pueden retirar fácilmente frotando con los dedos una pequeña cantidad de lavavajillas líquido sobre el adhesivo. Aclare con agua templada y seque el área.

No utilice instrumentos afilados, alcohol desinfectante, líquidos inflamables ni limpiadores abrasivos para retirar la cinta adhesiva o el pegamento. Estos productos pueden dañar la superficie del refrigerador.

Los estantes del refrigerador están instalados en la posición de transporte. Vuelva a colocar los estantes de acuerdo con sus necesidades personales de almacenamiento.

## **! ADVERTENCIA**

### **Riesgo de explosión:**

Mantenga los materiales o vapores inflamables, como la gasolina, lejos del refrigerador. Si no se respeta esta advertencia, existe peligro de explosión, incendio o muerte.

## ANTES DE USAR

1. Limpie el refrigerador a fondo y quite todo el polvo acumulado durante el transporte.
2. Instale los accesorios como el depósito de cubito de hielo, los cajones, los estantes, etc., en su sitio. Están empaquetados juntos para evitar posibles daños durante el transporte.
3. Deje que el refrigerador esté en funcionamiento durante al menos dos o tres horas antes de almacenar comida dentro de él. Compruebe el flujo de aire frío en el compartimiento del congelador para asegurarse de que la refrigeración sea la adecuada. Su refrigerador ya está listo para su uso.

## INSTALACIÓN

El refrigerador debe estar siempre enchufado a su toma de corriente individual conectada a tierra adecuadamente con una tensión nominal de 115 voltios, 60 Hz, sólo CA, y protegida mediante fusible a 15 ó 20 amperios. Esta configuración proporciona el mejor rendimiento y, al mismo tiempo, evita la sobrecarga de la instalación eléctrica de la casa que podría provocar un peligro de incendio debido a un sobrecalentamiento de los cables. Se recomienda disponer de un circuito independiente para la exclusiva alimentación de este electrodoméstico.

### ⚠ ADVERTENCIA

#### Riesgo de descarga:

Para reducir el riesgo de descarga eléctrica, no instale el refrigerador en un área húmeda ni mojada.

## INSTALACIÓN (continuación)

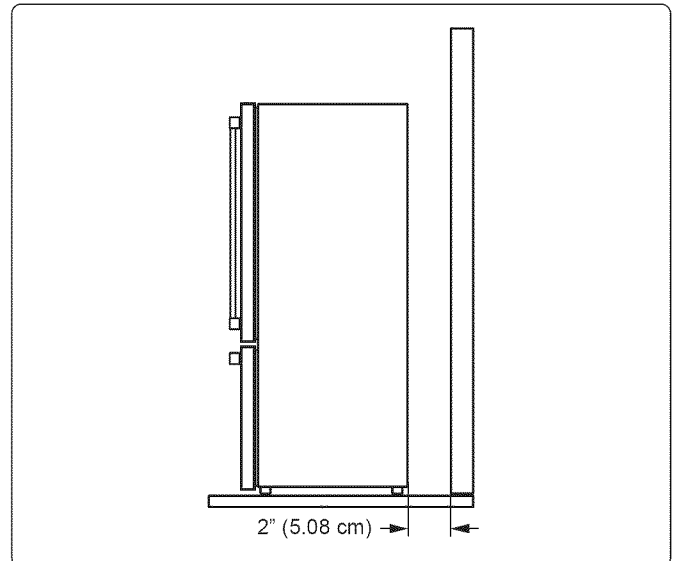
1. Para evitar el ruido y la vibración, es necesario nivelar la unidad e instalarla en un suelo sólidamente construido. Si es necesario, ajuste los pies de nivelación para compensar los desniveles del suelo. La parte delantera debe estar ligeramente más elevada que la posterior para ayudar al cierre de la puerta. Los pies de nivelación se pueden girar con facilidad inclinando ligeramente el aparato. Gire los pies de nivelación en sentido horario para elevar la unidad y en sentido antihorario para bajarla. (Consulte NIVELACIÓN Y ALINEACIÓN DE LAS PUERTAS).

**NOTA:** No se recomienda realizar la instalación sobre moqueta, superficies de baldosas flexibles, una plataforma o en una estructura con soporte inestable.

2. Instale este electrodoméstico en una zona donde la temperatura esté entre 13 °C (55 °F) y 43 °C (110 °F). Si la temperatura alrededor del electrodoméstico es demasiado baja o demasiado alta, la capacidad de refrigeración se verá gravemente afectada.
3. Seleccione un lugar en el que se pueda conectar fácilmente el suministro de agua para la máquina de hielo automática.

**NOTA:** La presión del agua debe ser 20-120 psi o 138-827 kPa o 1,4-8,4 kgf/cm<sup>2</sup>. If the refrigerator is installed in an area with low water pressure (below 20 psi), you can install a booster pump to compensate for the low pressure.

4. La distancia demasiado pequeña de superficies adyacentes puede minimizar la capacidad de congelación y aumentar los cargos de consumo eléctrico. Deje una distancia de 24 pulgadas (61 cm.) como mínimo al frente del refrigerador para poder abrir las puertas, y de al menos 2 pulgadas (5,08 cm.) entre la parte trasera del refrigerador y la pared.



**NOTA:** Siempre se recomienda desmontar las puertas cuando sea necesario desplazar el refrigerador a través de un espacio estrecho. Si es necesario desmontar las manijas, siga las instrucciones que se indican a continuación.

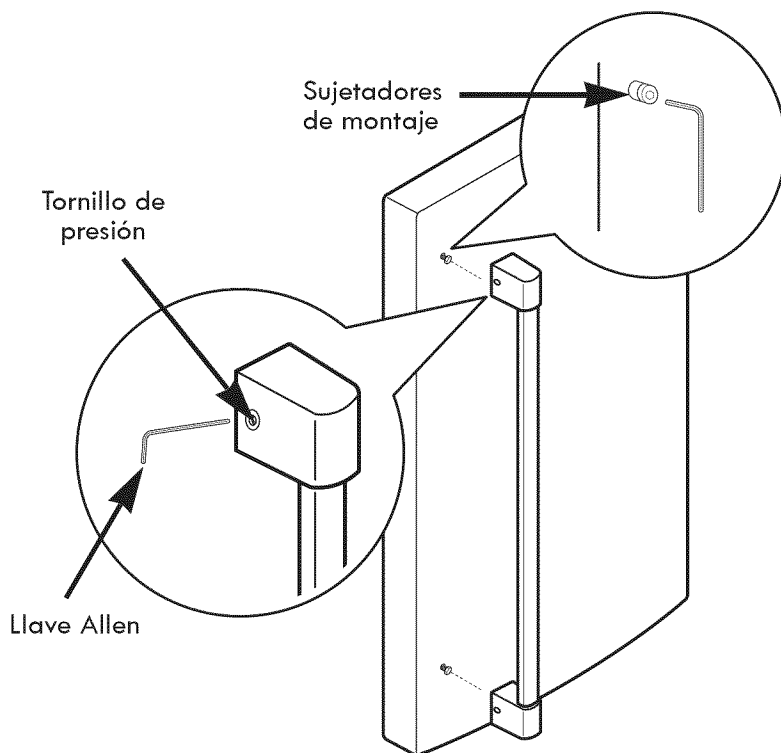
### CÓMO DESMONTAR LA MANIJA DE LA PUERTA DEL REFRIGERADOR

**NOTA:** El aspecto de la manija puede ser distinto del que aparece en las ilustraciones de esta página.

#### Desmontaje de la manija del refrigerador

Afloje los tornillos de presión con una llave Allen de 2,5 mm ( $3/32$  pulg.) y retire la manija.

**NOTA:** Si es necesario apretar o retirar los sujetadores de montaje de la manija, use una llave Allen de 6,4 mm ( $1/4$  pulg.).



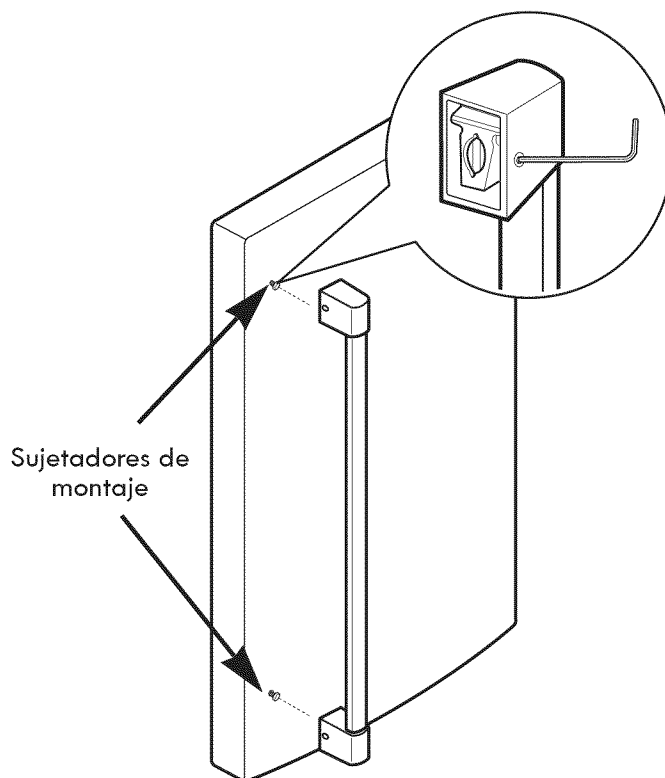
### CÓMO SUSTITUIR LA MANIJA DE LA PUERTA DEL REFRIGERADOR

**NOTA:** El aspecto de la manija puede ser distinto del que aparece en las ilustraciones de esta página.

#### Sustitución de la manija de la puerta del refrigerador

Coloque la manija en la puerta ajustando las zonas de contacto de la manija coincidan sobre los sujetadores de montaje y apretando los tornillos de presión con una llave Allen de 2,5 mm ( $3/32$  pulg.).

**NOTA:** Si es necesario apretar o retirar los sujetadores de montaje de la manija, use una llave Allen de 6,4 mm ( $1/4$  pulg.).



**NOTA:** Siempre se recomienda desmontar las puertas cuando sea necesario desplazar el refrigerador a través de un espacio estrecho. Si es necesario desmontar las manijas, siga las instrucciones que se indican a continuación.

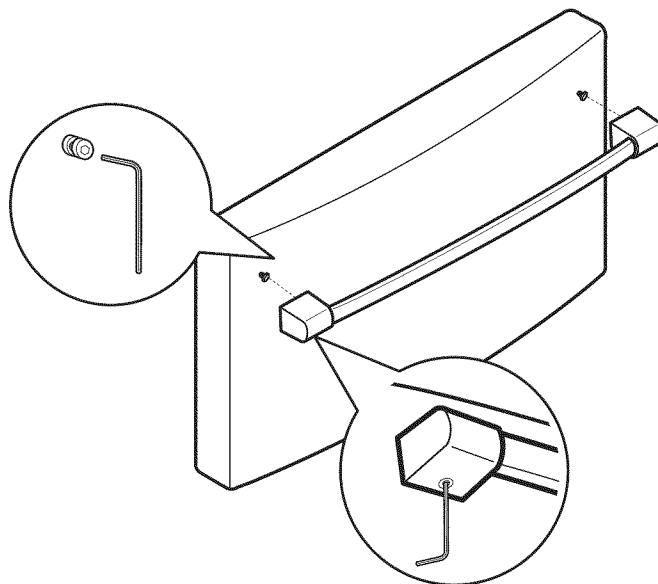
## CÓMO DESMONTAR LA MANIJA DE LA PUERTA DEL CONGELADOR

**NOTA:** El aspecto de la manija puede ser distinto del que aparece en las ilustraciones de esta página.

### Desmontaje de la manija del cajón del congelador

Afloje los tornillos de presión ubicados en la parte inferior de la manija con una llave Allen de 3,1 mm (1/8 pulg.) y retire la manija.

**NOTA:** Si es necesario apretar o retirar los sujetadores de montaje de la manija, use una llave Allen de 6,4 mm (1/4 pulg.).



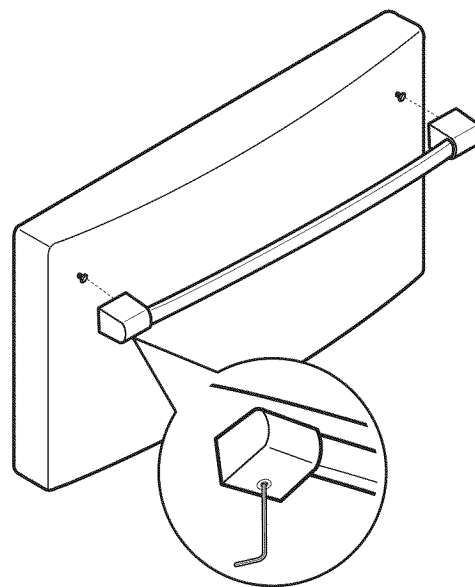
## CÓMO SUSTITUIR LA MANIJA DE LA PUERTA DEL CONGELADOR

**NOTA:** El aspecto de la manija puede ser distinto del que aparece en las ilustraciones de esta página.

### Sustitución de la manija del cajón del congelador

Coloque la manija en la puerta ajustando las zonas de contacto de la manija coincidan sobre los sujetadores de montaje y apretando los tornillos de presión con una llave Allen de 3,1 mm (1/8 pulg.).

**NOTA:** Si es necesario apretar o retirar los sujetadores de montaje de la manija, use una llave Allen de 6,4 mm (1/4 pulg.).



## ⚠ ADVERTENCIA

Para el montaje o desmontaje de los tiradores:

- Sujete el tirador con fuerza para evitar que se caiga o le cause lesiones.
- Evite que el tirador oscile cerca de personas o animales.
- Inserte el orificio de soporte del tirador en la tornillo de topoe de la puerta exactamente, y coloque los tornillos de sujeción para fijar el tirador en su posición.
- Compruebe que no haya ningún espacio entre la puerta y el tirador tras colocar éste en su posición.

## DESMONTAJE Y SUSTITUCIÓN DE LAS PUERTAS DEL REFRIGERADOR

### ! ADVERTENCIA

#### Riesgo de peso excesivo:

El desplazamiento e instalación de las puertas del refrigerador deben realizarse entre dos o más personas. Si no se respeta esta advertencia, se podrán producir lesiones en la espalda o de otro tipo.

### ! ADVERTENCIA

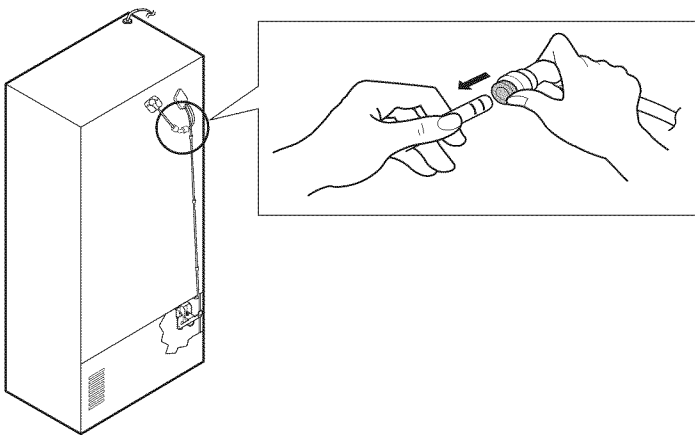
#### Riesgo de descargas eléctricas

- Desenchufe el suministro eléctrico al refrigerador antes de realizar la instalación. Si no se respeta esta advertencia, pueden producirse lesiones graves e incluso la muerte.
- No ponga las manos, pies ni ningún otro objeto en las rejillas de ventilación de aire, la rejilla de la base o debajo del refrigerador. Podría sufrir lesiones o recibir una descarga eléctrica.

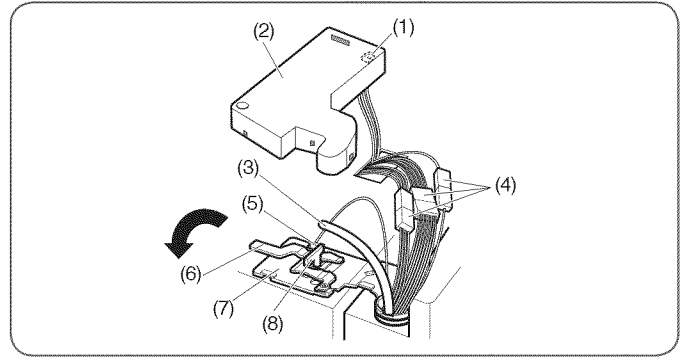
**NOTA:** Tenga cuidado cuando trabaje con la bisagra y la rejilla de la base. Podría sufrir alguna lesión.

#### Para desmontar la puerta izquierda del refrigerador:

En la parte posterior del refrigerador, saque el tubo de agua del adaptador de la virola situada en el conector presionando el anillo de liberación del adaptador (vea la imagen inferior).



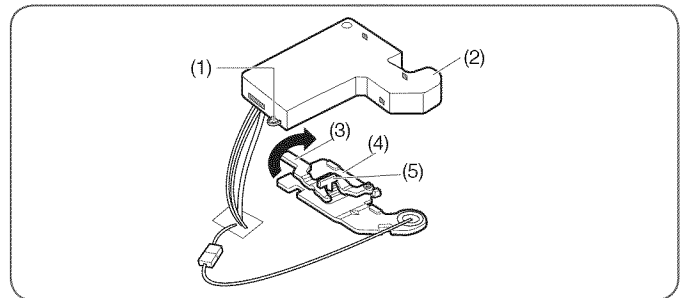
**! PRECAUCIÓN:** Antes de comenzar, saque los alimentos y quite las bandejas de las puertas.



1. Abra la puerta. Retire el tornillo de la tapa de la bisagra superior (1).
2. Use un destornillador plano para hacer palanca y levantar los ganchos (no se ven en la imagen) situados en la parte inferior delantera de la tapa (2). Levante la tapa.
3. Retire la tapa. Saque el tubo (3).
4. Desconecte todos los mazos de cables (4).
5. Retire el tornillo de conexión a tierra (5).
6. Gire la palanca de la bisagra (6) en sentido antihorario. Levante la bisagra superior (7) libre del pestillo de palanca de la bisagra (8).

- ! PRECAUCIÓN:** Cuando levante la bisagra libre del pestillo, tenga cuidado de que la puerta no se caiga hacia delante.
7. Levante la puerta del pasador de la bisagra central y retire la puerta.
  8. Coloque la puerta, con el interior hacia arriba, sobre una superficie que no raye.

#### Para desmontar la puerta derecha del refrigerador:



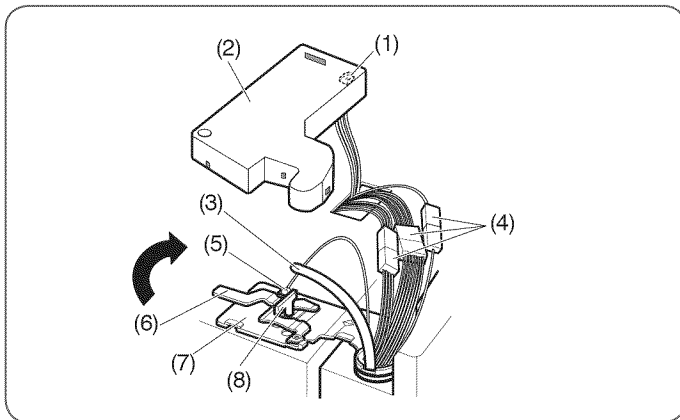
1. Abra la puerta. Retire el tornillo de la tapa de la bisagra superior (1). Levante la tapa (2).
2. Retire la tapa.
3. Gire la palanca de la bisagra (3) en sentido horario. Levante la bisagra superior (4) libre del pestillo de palanca de la bisagra (5).

- ! PRECAUCIÓN:** Cuando levante la bisagra libre del pestillo, tenga cuidado de que la puerta no se caiga hacia delante.
4. Levante la puerta del pasador de la bisagra central y retire la puerta.
  5. Coloque la puerta, con el interior hacia arriba, sobre una superficie que no raye.

Reinstalación de la puerta del refrigerador

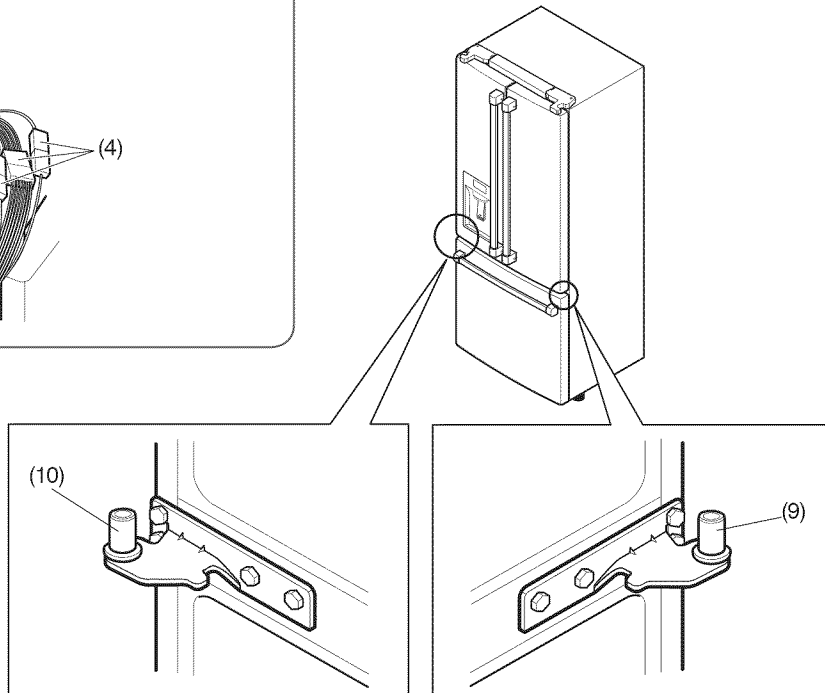
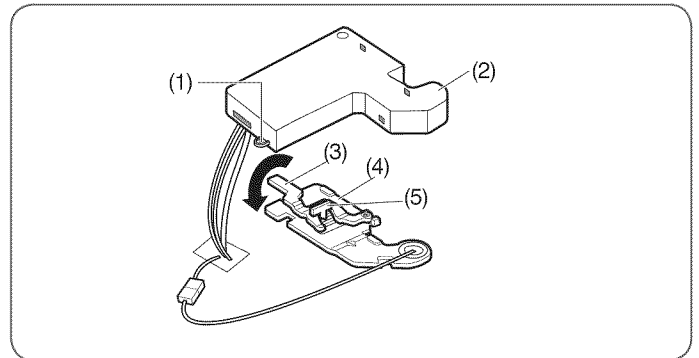
► Puerta izquierda

1. Baje la puerta hasta insertarla en el pasador de la bisagra central (10).
2. Encaje la bisagra superior (7) sobre el pestillo de palanca de la bisagra (8) y ajústela en su sitio. Gire la palanca (6) en sentido horario para bloquear la bisagra.
3. Instale el tornillo de conexión a tierra (5) y conecte los dos mazos de cables (4).
4. Empuje el tubo de agua (3) situado en la parte superior de la puerta izquierda dentro del agujero situado junto a la bisagra izquierda de la parte superior del aparato hasta que salga por la parte trasera.
5. Inserte el tubo de suministro de agua (3) dentro del conector hasta que sólo se vea un trazo de escala.
6. Enganche las pestañas situadas en el lado izquierdo de la tapa de la bisagra (1) situada debajo del borde de la bisagra superior (7) y coloque la tapa en su sitio. Inserte y apriete el tornillo de la tapa (1).

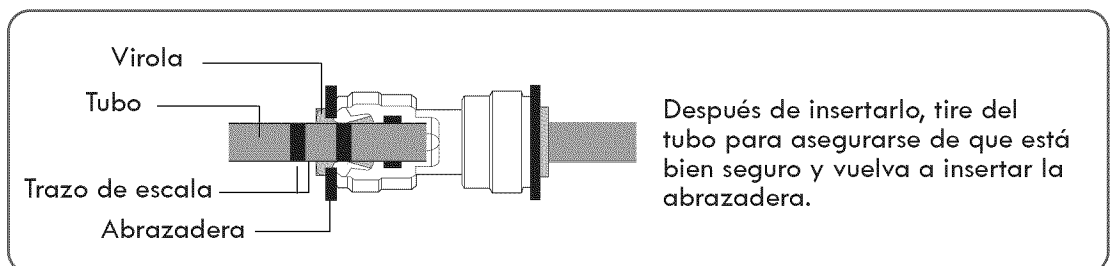


► Puerta derecha

1. Baje la puerta hasta insertarla en el pasador de la bisagra central (9).
2. Encaje la bisagra superior (4) sobre el pestillo de palanca de la bisagra (5) y ajústela en su sitio. Gire la palanca (3) en sentido antihorario para bloquear la bisagra.
3. Enganche las pestañas situadas en el lado derecho de la tapa de la bisagra (2) situada debajo del borde de la bisagra superior (4) y coloque la tapa en su sitio. Inserte y apriete el tornillo de la tapa (1).



⚠ PRECAUCIÓN



## CÓMO DESMONTAR EL CAJÓN DEL CONGELADOR

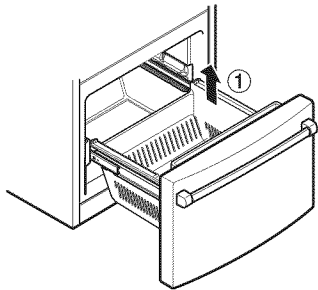
**⚠ ADVERTENCIA:** El desplazamiento e instalación del cajón del congelador deben realizarse entre dos o más personas. Si no se respeta esta advertencia, se podrán producir lesiones en la espalda o de otro tipo.

**⚠ PRECAUCIÓN:** No agarre la manija mientras desmonta o vuelve a colocar el cajón. La manija podría salirse y provocar lesiones personales.

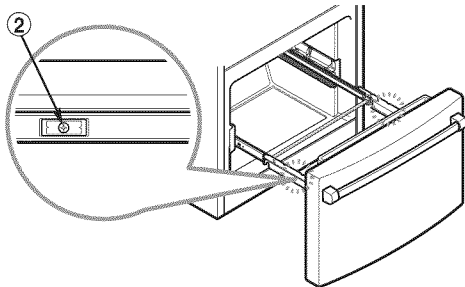
**NOTA:** En las figuras siguientes, no se muestra el cajón extraíble situado por encima del cajón del congelador para que la imagen sea más clara.

Saque el cajón todo lo posible. Retire la cesta inferior

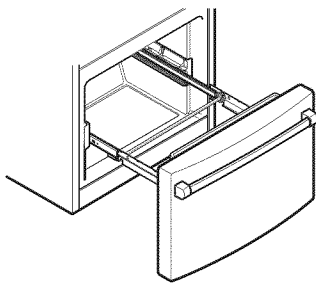
① levantándola del sistema de rieles.



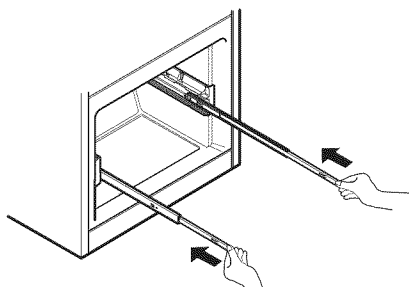
Retire los tornillos ② del riel en ambos lados.



Sujete el cajón por cada lado y tire de él hacia arriba para separarlo de los rieles.

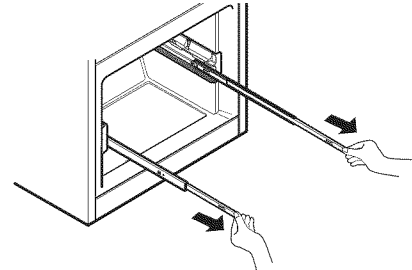


Con las dos manos, sujete la barra central y empújela hacia dentro de forma que ambos rieles se deslicen de forma simultánea.

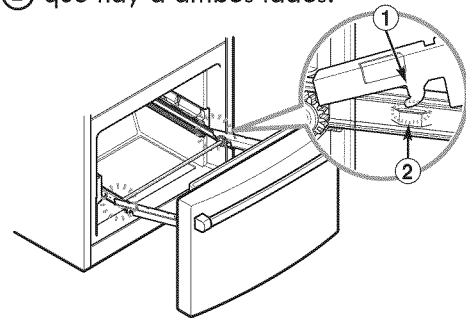


## CÓMO INSTALAR EL CAJÓN DEL CONGELADOR

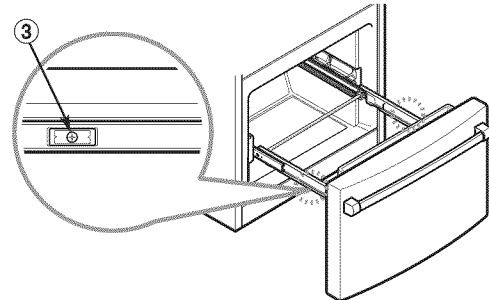
Con las dos manos, sujete la barra central y tire de ella hacia fuera hasta que ambos rieles queden completamente extendidos.



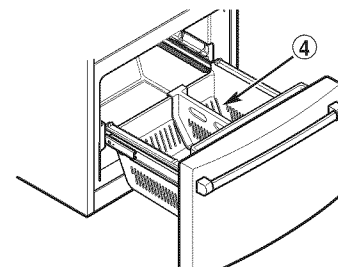
Sujete el cajón por cada lado y enganche los soportes de la puerta ① para introducirlos en las pestañas de los rieles ② que hay a ambos lados.



Baje la puerta hasta su posición final y apriete los tornillos ③ ubicados a ambos lados.



Con el cajón completamente sacado, inserte la cesta inferior ④ en la estructura de rieles.



**⚠ ADVERTENCIA:** Si se retira el divisor Durabase, habrá suficiente espacio abierto para que un niño o una mascota puedan gatear hasta el interior. Para evitar el atrapamiento accidental de un niño o una mascota, y el posible riesgo de asfixia, NO permita que niños y mascotas toquen ni se acerquen al cajón del congelador.

**⚠ ADVERTENCIA:** NO pise ni se siente en el cajón del congelador.

## NIVELACIÓN Y ALINEACIÓN DE LAS PUERTAS

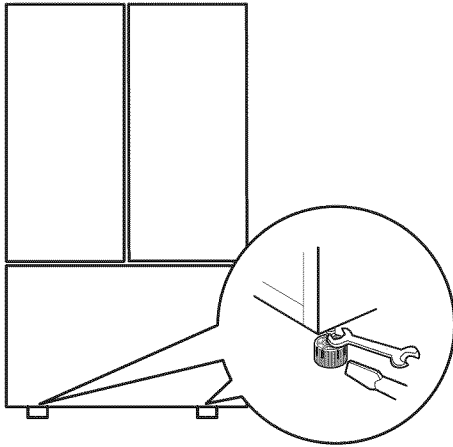
### Nivelación

Tras la instalación, enchufe el cable de alimentación del refrigerador en una toma de corriente de 3 clavijas con conexión a tierra y empuje el refrigerador hasta su posición definitiva.

Su refrigerador tiene dos pies de nivelación delanteros: uno a la derecha y otro a la izquierda. Ajuste los pies para modificar la inclinación de delante hacia atrás o de lado a lado. Si el refrigerador parece inestable o si desea que las puertas se cierren más fácilmente, ajuste la inclinación del refrigerador mediante las siguientes instrucciones:

**NOTA:** Herramientas necesarias: Llave de 18 mm ( $11/16''$ ) o un destornillador plano.

1. Gire los pies de nivelación en sentido antihorario para levantar esa parte del refrigerador o en sentido horario para bajarla. Puede que sean necesarios varios giros del pie de nivelación para ajustar la inclinación del refrigerador.



**NOTA:** Si una persona empuja hacia atrás la parte superior del refrigerador, descargará parte del peso de los pies de nivelación. Esta operación facilitará el ajuste de los pies.

3. Vuelva a abrir ambas puertas y compruebe que se cierran con facilidad. Si no es así, incline el refrigerador ligeramente hacia atrás girando ambos pies de nivelación en sentido antihorario. Puede que sean necesarios varios giros y debería girar ambos pies de nivelación el mismo número de giros.

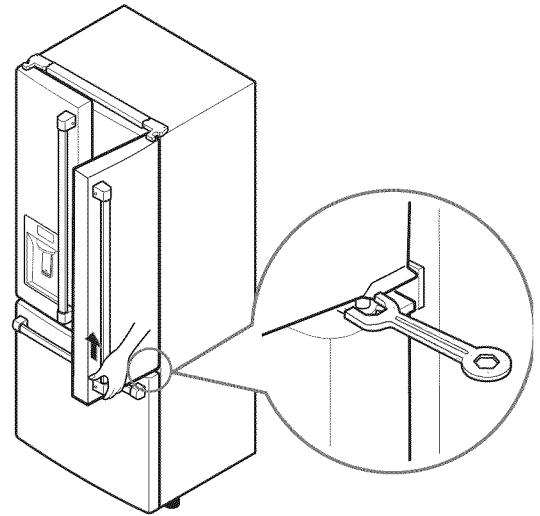
**NOTA:** Su refrigerador tiene un diseño exclusivo con dos puertas para alimentos frescos. Cada una de las puertas se puede abrir o cerrar de forma independiente de la otra. Puede que deba ejercer una ligera presión en las puertas para cerrarlas completamente.

### Alineación de las puertas

Ambas puertas del refrigerador tienen una tuerca ajustable, ubicada en la bisagra inferior, para levantarlas y bajarlas con el fin de alinearlas correctamente.

Si el espacio entre las puertas es desigual, siga estas instrucciones para alinear las puertas de forma uniforme:

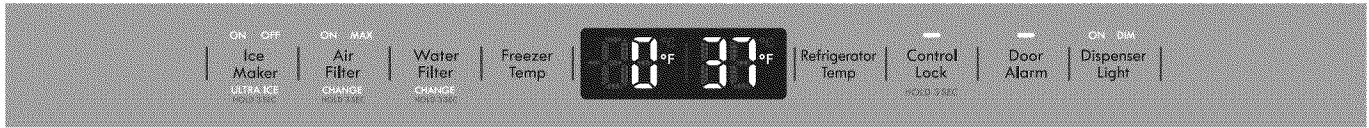
Use la llave (incluida con el Manual de Uso y Cuidado) para girar la tuerca que hay en la bisagra de la puerta para ajustar la altura. En sentido horario para levantar o en sentido antihorario para rebajar la altura.



# USO DEL REFRIGERADOR

## AJUSTE DE LOS CONTROLES

### Temperatura

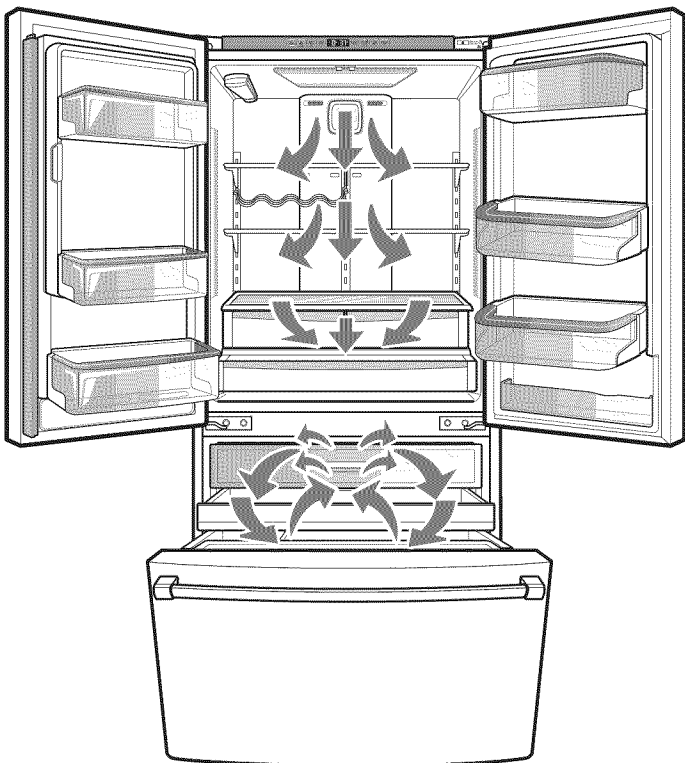


- El rango del control de temperatura del refrigerador de  $1^{\circ}\text{C}$  a  $8^{\circ}\text{C}$  ( $33^{\circ}\text{F}$  a  $46^{\circ}\text{F}$ ). Pulse el botón de temperatura del refrigerador para alternar entre los ajustes de temperatura disponibles con incrementos de un grado en cada pulsación.
- El rango del control de temperatura del congelador es de  $-21^{\circ}\text{C}$  a  $-13^{\circ}\text{C}$  ( $-6^{\circ}\text{F}$  a  $8^{\circ}\text{F}$ ). Pulse el botón de Freezer Temp para alternar entre los ajustes de temperatura disponibles con incrementos de un grado en cada pulsación.

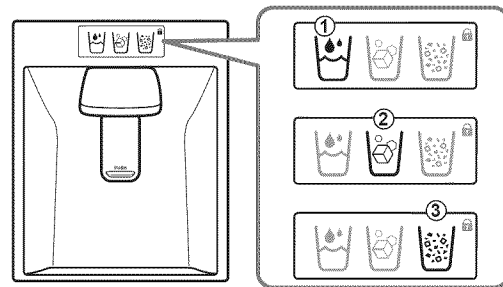
**NOTA:** Cada vez que cambie los ajustes de los controles, debe esperar 24 horas antes de realizar ajustes adicionales. Los controles están correctamente ajustados cuando la leche o el zumo están a la temperatura fría de su gusto y el helado está firme. Si la temperatura es demasiado fría o demasiado caliente en alguno de los compartimientos, cambie el ajuste en incrementos de un grado cada vez. Espere 24 horas a que se establezca la temperatura antes de volver a ajustarla.

### Flujo de aire

Asegúrese de no bloquear los conductos de ventilación al cargar su refrigerador. De lo contrario, restringirá el flujo de aire y puede que la temperatura del refrigerador suba demasiado o que se acumule humedad en su interior. (Consulte el siguiente diagrama de flujo de aire).



### Dispensador



El dispensador servirá agua, cubitos de hielo o hielo picado. Presione el ícono de su elección: (1) agua (2) cubitos de hielo (3) hielo picado. Cuando lo pulse, se iluminará el ícono.

**NOTA:** La pantalla de control es táctil. Un exceso de humedad en la pantalla puede provocar una avería. Recuerde mantener la pantalla limpia y seca.

**NOTA:** Si se ilumina el icono de bloqueo, no se puede controlar el tipo de dispensador. Compruebe el modo ON/OFF de bloqueo de control en el panel de control.

**⚠ ADVERTENCIA:** El dispensador no funcionará si hay alguna puerta abierta o si está activado el bloqueo de control.

**Filtro de aire**



El filtro de aire ayuda a eliminar olores del refrigerador. El filtro de aire tiene dos configuraciones: Auto y MAX. En el modo Auto, el filtro de aire se encenderá y apagará en un ciclo de diez minutos para el encendido y ciento diez minutos para el apagado. Si se configura en el modo MAX, el filtro de aire permanecerá encendido de forma continua durante cuatro horas, apagándose y encendiéndose en un ciclo de diez minutos para el encendido y cinco minutos para el apagado. Después de cuatro horas, el filtro de aire pasará al modo Auto.

- El modo Auto es el modo predeterminado.
- Presione el botón del filtro de aire una vez para entrar en modo MAX

**Restablecimiento del filtro de aire**



Cuando se enciende el ícono CHANGE, esto significa que el filtro de aire debe ser reemplazado. Luego de reemplazar el filtro de aire, mantenga pulsado el botón Air Filter durante tres segundos para apagar la luz del ícono. Se recomienda cambiar el filtro de aire aproximadamente cada 6 meses.

**Máquina de hielo ENCENDIDA/APAGADA**



- Para encender o apagar el sistema de fabricación de hielo, pulse el botón Ice Maker.

**Ultra hielo**



- Cuando se mantiene pulsado el botón del sistema de producción de hielo durante tres segundos, se iluminará el gráfico en la pantalla y continuará encendido durante 24 horas. Esta función se apagará automáticamente pasadas las 24 horas.

**NOTA:** Cuando seleccione la función Ultra hielo, el icono de la Máquina de hielo se cambiará brevemente a APAGADO y luego volverá a ENCENDIDO. Esto es normal.

- Puede detener esta función manteniendo pulsado el botón una vez más.
- Esta función aumenta tanto las capacidades de congelación como las de fabricación de hielo.

**Restablecimiento del filtro de agua**



Cuando se enciende el ícono CHANGE, indica que es necesario cambiar el filtro de agua. Una vez cambiado el filtro de agua, mantenga pulsado el botón Water Filter durante tres segundos para apagar la luz del indicador. El filtro de agua se debe cambiar aproximadamente cada seis meses.

**Luz del dispensador**



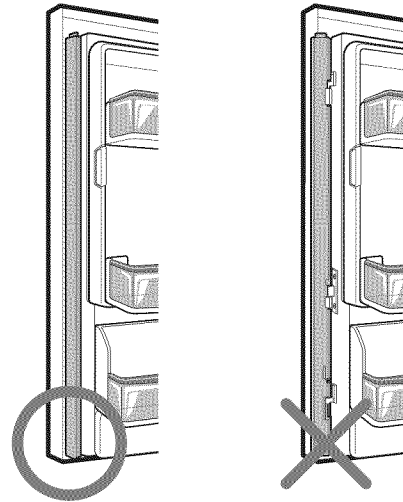
Esta luz tiene tres posiciones: Encendido, Apagado y Tenue. Seleccione la opción Tenue durante la noche. La luz se encenderá automáticamente con toda su luminosidad cuando se presione el panel del dispensador.

**Parteluz articulado**

Esta característica es una tira de metal situada en la puerta izquierda que se articula (gira) 90 grados al cerrarse la puerta y forma un parteluz (base) para que se sellen las juntas de las puertas izquierda y derecha.

**PRECAUCIÓN**

Para reducir el riesgo de rayar la puerta o romper el parteluz, asegúrese de que el parteluz de la puerta del refrigerador esté siempre plegado.



### Alarma de la puerta

Door Alarm

- Cuando se conecta el refrigerador a la corriente, la alarma de la puerta está inicialmente activada. Si pulsa el botón Door Alarm, la pantalla cambiará a OFF y la función de alarma de la puerta se desactivará.
- Si la puerta del refrigerador o del congelador se deja abierta durante más de 60 segundos, sonará el tono de la alarma para avisarle de que la puerta está abierta.
- Cuando se cierre la puerta, la alarma de la puerta dejará de sonar.

### Bloqueo de los controles

Control Lock  
HOLD 3 SEC

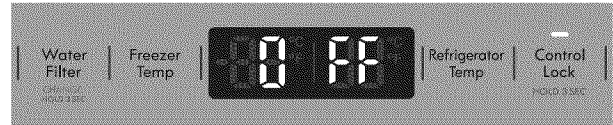
- Cuando se conecta inicialmente el refrigerador a la corriente, la función de bloqueo Lock está desactivada.
- Si desea activar la función Lock para bloquear los demás botones, mantenga pulsado el botón Control Lock durante tres segundos como mínimo. Aparecerá el icono Control Lock y se activará la función Lock.
- Cuando se activa la función Lock, no funciona ningún otro botón. Los botones del dispensador también se desactivan.
- Para desactivar la función Lock, mantenga presionado el botón Control Lock durante aproximadamente tres segundos.

### Función para cambiar el modo de temperatura (°F <->°C)

Si desea convertir °F a °C o viceversa, mantenga presionados los botones Freezer Temp y Refrigerator Temp al mismo tiempo durante aproximadamente cinco segundos.

### Modo demostración (sólo para uso en tienda)

El modo demostración desactiva toda la refrigeración en las secciones refrigerador y congelador para ahorrar energía mientras está en exposición en una tienda. Cuando se activa, en el panel de control aparece la palabra OFF.



### Para desactivar:

Con la puerta del refrigerador abierta, mantenga presionados los botones Refrigerator Temp y Ice Maker al mismo tiempo durante cinco segundos. El panel de control pitará y aparecerán los ajustes de temperatura para confirmar que se ha desactivado el modo de demostración. Use el mismo same procedimiento para activar el modo de demostración.

**DEPÓSITO DE HIELO DEL INTERIOR DE LA PUERTA**

**▲ PRECAUCIÓN**

Mantenga manos y herramientas fuera del compartimiento de hielo de la puerta y del conducto del dispensador. Si no se respeta esta advertencia, podrían producirse daños o lesiones personales.

La máquina de hielo dejará de fabricar hielo cuando el depósito de hielo del interior de la puerta esté lleno. Si necesita más hielo, vacíe el depósito de hielo en el depósito de hielo adicional ubicado en el compartimiento del congelador. Durante el uso, el hielo puede caer de forma irregular lo que puede provocar una lectura errónea del nivel de cubitos de hielo y detener la elaboración de cubitos. Agitar el depósito de hielo para nivelar los cubitos que contiene puede reducir este problema.

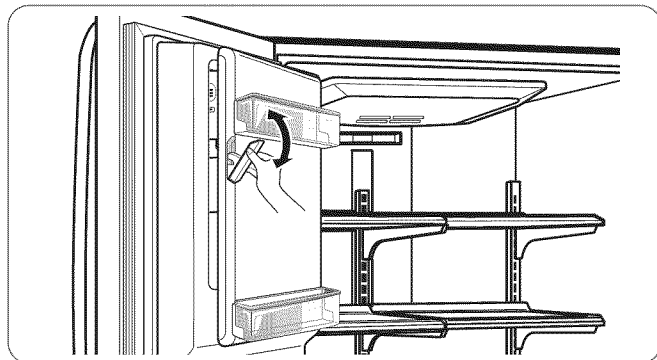
**NOTA:** Almacenar latas u otros elementos en el depósito de hielo podría dañar la máquina de hielo.

Mantenga la puerta del compartimiento de hielo herméticamente cerrada. Si no se cierra herméticamente, el aire frío del depósito de hielo congelará los alimentos del compartimiento del refrigerador. Esto también podría provocar que la máquina deje de fabricar hielo.

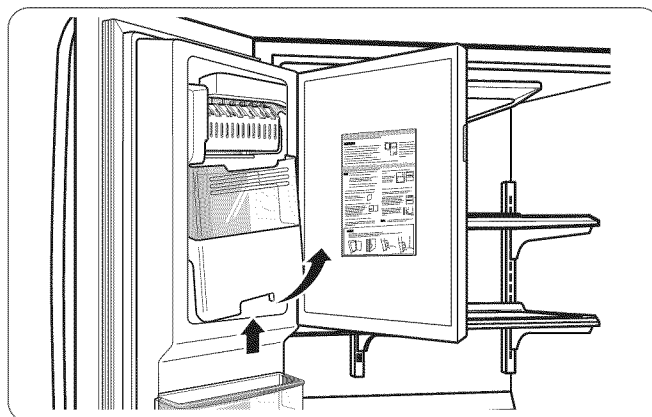
**NOTA:** Se recomienda vaciar el recipiente para el hielo si el botón ON/OFF de la máquina de hielo del panel de control ha permanecido en la posición OFF durante un periodo prolongado de tiempo.



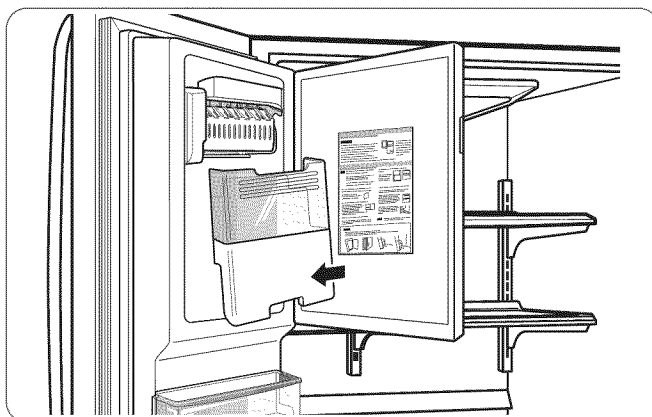
1. Tire o empuje de la manija de la puerta para abrir o cerrar el compartimiento de hielo.



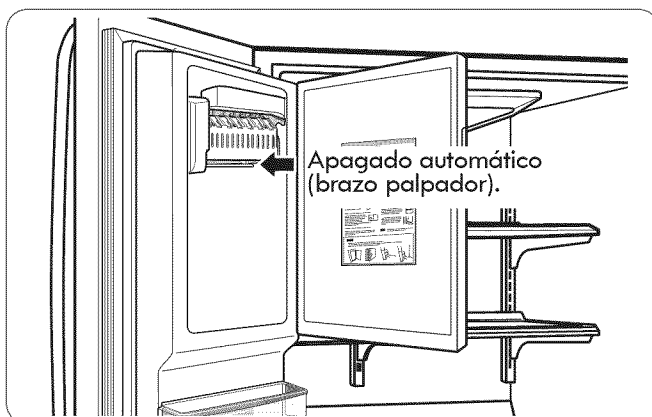
2. Para sacar el depósito de hielo del interior de la puerta, agarre la manija delantera, levante ligeramente la parte inferior y despegue el depósito tal como se muestra.



3. Para volver a instalar el depósito de hielo del interior de la puerta, incline ligeramente el depósito al volver a colocarlo en su sitio para evitar el contacto con la máquina de hielo.



4. Evite tocar el apagado automático (brazo palpador) al colocar el recipiente del hielo. Consulte la etiqueta que hay en la puerta del compartimiento de hielo para obtener información más detallada.



### MÁQUINA DE HIELO AUTOMÁTICA

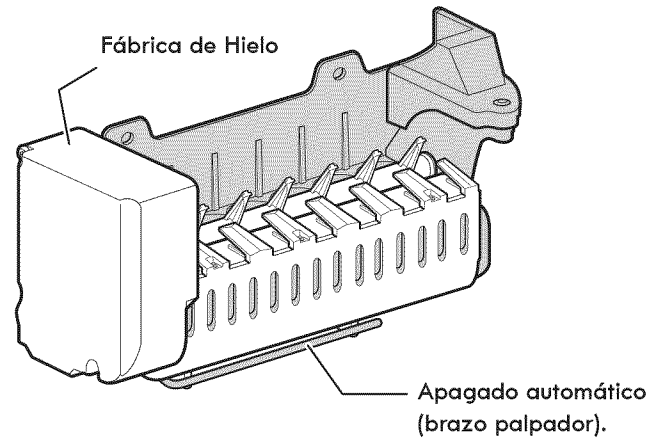
El hielo se fabrica en la máquina de hielo automática y se envía al dispensador. El dispensador de hielo producirá 70-182 cubitos en un periodo de tiempo de 24 horas, en función de la temperatura del congelador, de la temperatura ambiente, del número de puerta abiertas y otras condiciones de funcionamiento.

- Un refrigerador recién instalado tardará entre 12 y 24 horas en empezar a fabricar hielo. Espere 72 horas para que comience la fabricación de hielo.
- La fabricación de hielo se detiene cuando se llena el depósito de hielo. En ese caso, el depósito de hielo contiene aproximadamente de 6 a 8 (12-16 oz o 340-455 cc) vasos de hielo.
- Las sustancias extrañas o la escarcha en apagado automático (brazo palpador) pueden interrumpir la producción. Para un correcto funcionamiento, asegúrese de que el brazo palpador esté limpio en todo momento.
- Para aumentar la producción de hielo, utilice la función Ultra Ice. Esta función aumenta las capacidades para fabricar hielo y para congelar.

## ⚠ ADVERTENCIA

### Riesgo de lesiones personales

NO introduzca los dedos o las manos en el mecanismo de fabricación automática de hielo con el refrigerador enchufado.



## MÁQUINA DE HIELO AUTOMÁTICA (continuación)

### ⚠ PRECAUCIÓN

- La primera tanda de hielo y agua dispensada podría incluir partículas y olor procedente de la tubería de suministro de agua o del depósito de agua.
- Deseche las primeras tandas de hielo. Esto también es necesario si el refrigerador no se usa durante un largo período de tiempo.
- Nunca almacene latas de bebidas u otros artículos en el depósito de hielo con el propósito de que se enfríen rápidamente. Si lo hace, podría dañar la máquina de hielo o los contenedores podrían estallar.
- Si se dispensa hielo manchado, compruebe el filtro y el suministro de agua. Si el problema persiste, póngase en contacto con Sears u otro servicio técnico cualificado. No consuma el hielo ni el agua hasta que se resuelva el problema.
- No permita que los niños utilicen el dispensador. Los niños podrían jugar con los controles y romperlos.
- Si sólo se usa hielo picado, el conducto del hielo podría quedar bloqueado con escarcha. Para retirar la escarcha acumulada, desmonte el depósito de hielo y libere el conducto con una espátula de goma. La dispensación de hielo en cubitos también ayuda a evitar la formación de escarcha.
- Nunca use vasos de cristal fino o recipientes de loza para recoger hielo. Ese tipo de contenedores podrían descascarillarse o romperse, y podrían caer fragmentos de cristal al hielo.
- Dispense hielo en el vaso antes de rellenarlo con agua u otras bebidas. Si se dispensa hielo en un vaso que ya contiene líquido, pueden producirse salpicaduras.
- Nunca use un vaso que sea excesivamente estrecho o profundo. El hielo podría atascarse en el conducto de hielo y el rendimiento del refrigerador podría verse afectado.
- Mantenga el vaso a una distancia adecuada de la salida del hielo. Si sostiene el vaso demasiado cerca de la salida, puede impedir que se dispense el hielo.
- Para evitar lesiones personales, mantenga las manos lejos de la puerta y del conducto del hielo.
- Nunca retire la tapa del dispensador.
- Si de forma inesperada se dispensa hielo o agua, corte el suministro de agua y póngase en contacto con el servicio técnico doméstico de Sears llame en EE.UU. 1-844-553-6667. y llame en Canadá 1-800-469-4663.

## CUÁNDO APAGAR LA MÁQUINA DE HIELO

- Cuando el suministro de agua vaya a estar interrumpido durante varias horas.
- Cuando se retire el depósito de hielo durante más de uno o dos minutos.
- Cuando no se vaya a usar el refrigerador durante varios días.

**NOTA:** El recipiente para el hielo deberá vaciarse siempre que se ponga en OFF el botón ON/OFF (encendido/apagado) de la máquina de hielo.

## SONIDOS NORMALES QUE SE PUEDEN ESCUCHAR

- Si el botón ENCENDIDO/APAGADO de la máquina de hielo se pone en ENCENDIDO, la válvula emitirá un zumbido incluso si la máquina de hielo no está conectada al agua. Para detener el zumbido, ponga el interruptor en APAGADO.
- **NOTA:** Si mantiene el botón ENCENDIDO/APAGADO de la máquina de hielo en ENCENDIDO antes de conectar el agua, la máquina podría dañarse.
- Oirá el sonido de los cubitos de hielo al caer en el depósito y el agua corriendo por las tuberías cuando se rellena la máquina de hielo.

## PREPARACIÓN PARA LAS VACACIONES

Ponga el botón ON/OFF de la máquina de hielo en OFF y cierre el suministro de agua al refrigerador.

**NOTA:** El recipiente para el hielo deberá vaciarse siempre que se ponga en OFF el botón ON/OFF

Si la temperatura ambiente cae por debajo del punto de congelación, póngase en contacto con un técnico cualificado para que purgue el sistema de suministro de agua para evitar graves daños materiales debidos a las inundaciones provocadas por la rotura de las tuberías o conexiones de agua.

### GUÍA PARA EL ALMACENAMIENTO DE ALIMENTOS

Envuelva o almacene los alimentos en el refrigerador dentro de materiales herméticos y antihumedad, a menos que se indique lo contrario. Esto evitará que el olor y sabor de los alimentos se transfiera por todo el refrigerador. Para productos con fecha de caducidad, compruebe el código de fecha para garantizar la frescura.

Elementos	Cómo
<b>Mantequilla o margarina</b>	► Conserve la mantequilla abierta en un plato cubierto o en un compartimiento cerrado. Cuando se almacena una cantidad extra, envuélvala en una bolsa para congelar y congélela.
<b>Queso</b>	► Almacene en el envoltorio original hasta que esté listo para consumirlo. Una vez abierto, vuelva a envolverlo herméticamente en un envoltorio plástico o en papel de aluminio.
<b>Leche</b>	► Limpie los cartones de leche. Para un mejor almacenamiento, coloque la leche en los estantes interiores y no en los estantes de la puerta.
<b>Huevos</b>	► Almacénelos en el cartón original en un estante interior, no en un estante de la puerta.
<b>Fruta</b>	► No lave ni pele la fruta hasta que ésta vaya a ser utilizada. Organice la fruta y consérvela en su contenedor original, en un cajón, o bien almacénela en una bolsa de papel completamente cerrada sobre un estante del refrigerador.
<b>Verdura con hoja</b>	► Retire el envoltorio comercial y corte o arranque las zonas magulladas o decoloradas. Lave en agua fría y deje escurrir. Colóquela en una bolsa o un contenedor de plástico, y almacénela en el cajón para verduras.
<b>Vegetales con piel (zanahorias, pimientos)</b>	► Colóquelos en una bolsa o un contenedor de plástico, y almacénelos en el cajón para verduras.
<b>Pescado</b>	► Almacene el pescado y los mariscos frescos en el congelador si no van a ser consumidos el mismo día en que se los adquirió. Se recomienda consumir pescados y mariscos frescos el mismo día de haberlos adquirido.
<b>Sobras</b>	► Cubra las sobras con un envoltorio plástico, papel de aluminio o dentro de contenedores de plástico con tapas herméticas.

### ALMACENAMIENTO DE ALIMENTOS CONGELADOS

**NOTA:** Consulte una guía de congelación o un libro de cocina fiable para obtener más información sobre la forma de preparar los alimentos para su congelación o sobre los tiempos de almacenamiento de los alimentos congelados.

#### Congelación

El congelador no congelará rápidamente una gran cantidad de alimentos. No coloque más alimentos sin congelar en el congelador que los que se congelarán en 24 horas (no más de 1 o 1,5 kg de alimento por cada 30 litros de espacio en el congelador). Deje suficiente espacio en el congelador para que el aire pueda circular entre los paquetes. Tenga cuidado de dejar suficiente espacio en la parte delantera para que se pueda cerrar la puerta herméticamente.

Los tiempos de almacenamiento variarán en función de la calidad y el tipo de alimento, el tipo de envase o envoltorio utilizado (si son herméticos y antihumedad) y la temperatura de almacenamiento. La aparición de cristales de hielo dentro de un paquete sellado es normal. Esto sólo significa que la humedad del alimento y del aire del interior del paquete se ha condensado, creando cristales de hielo.

**NOTA:** Deje que los alimentos calientes se enfríen a temperatura ambiente durante 30 minutos y, a continuación, empáquelos y congélelos. Enfriar alimentos calientes antes de congelarlos ahorra energía.

#### Empaquetamiento

Una congelación correcta depende de un empaquetamiento adecuado. Cuando se cierra y sella el paquete, no debe dejar que entre ni salga aire ni humedad. Si eso sucede, es posible que el olor y el sabor de los alimentos se transfieran por todo el refrigerador y también se podrían resecar los alimentos congelados.

#### Recomendaciones de empaquetamiento:

- Contenedores de plástico rígido con tapas herméticas
- Tarros de congelación / enlatado con lados rectos
- Papel de aluminio grueso
- Papel con revestimiento plástico
- Envoltorios plásticos no permeables
- Bolsas de plástico con autosellado y calidad específica apta para congelador

Siga las instrucciones del contenedor o paquete para unos métodos de congelación adecuados.

#### No usar

- Envoltorios de pan
- Contenedores de plástico que no sean de polietileno
- Contenedores sin tapas herméticas
- Papel de cera o envoltorio para congelador revestidos de cera
- Envoltorio fino y semipermeable

**⚠ PRECAUCIÓN:** No almacene latas de bebidas o contenedores de comida de plástico en el compartimiento del congelador. Podrían romperse o estallar al congelarse.

### GUÍA DE ALMACENAMIENTO DEL VINO

Para su comodidad y para ahorrar espacio, utilice el estante para vinos para guardar hasta 4 botellas de vino de tamaño estándar.

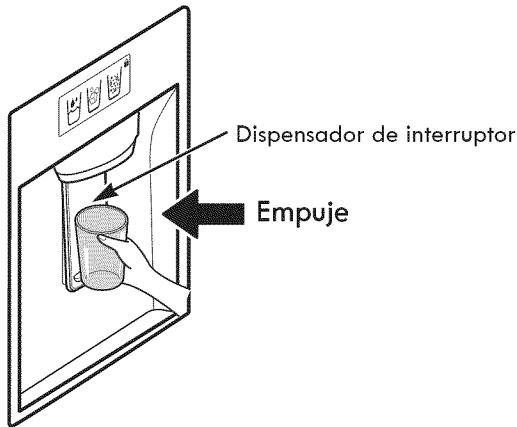
**⚠ PRECAUCIÓN:** El estante para vinos se ha diseñado para botellas de tamaño estándar. El uso de botellas más grandes o de forma irregular puede evitar que se cierre la puerta del refrigerador correctamente.

## SECCIÓN REFRIGERADOR

### DISPENSADOR DE AGUA

Para dispensar agua fría, empuje el interruptor del dispensador con un vaso.

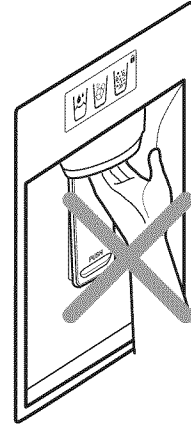
**NOTA:** El dispensador está equipado con una luz que se enciende cuando se activan los botones del dispensador.



Es posible que tras la dispensación se produzca un goteo. Mantenga el vaso bajo el dispensador durante unos segundos tras la dispensación para recoger todas las gotas.

**⚠ ADVERTENCIA:** No coloque los dedos encima de la abertura del conducto de hielo, podría sufrir lesiones de gravedad.

**⚠ PRECAUCIÓN:** No dispense hielo en vasos de cristal o porcelana fina, ya que podrían romperse.



## ESTANTES DEL REFRIGERADOR

Los estantes del refrigerador son ajustables para satisfacer sus necesidades personales de almacenamiento. En función del modelo, los estantes pueden ser de vidrio o de rejilla metálica.

Organizar los estantes para que se ajusten a las diferentes alturas de los artículos hará que le resulte más fácil encontrar lo que busca. Con ello también reducirá el tiempo que permanece la puerta del refrigerador abierta y ahorrará energía.

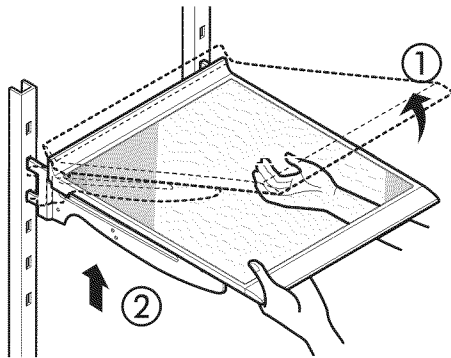
**IMPORTANTE:** No limpie los estantes de vidrio con agua templada mientras aún están fríos. Los estantes podrían romperse si se ven expuestos a cambios repentinos de temperatura o a impactos.

**NOTA:** Los estantes de vidrio son pesados. Tenga especial cuidado en el momento de retirarlos.

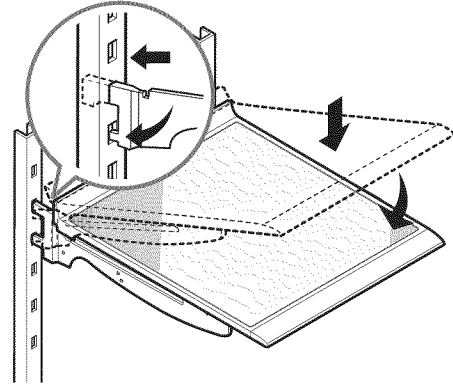
### Organización de los estantes (Cantilever)

Retire los estantes de la posición de transporte y vuelva a colocar los estantes en la posición que desee.

**Para retirar un estante:** incline la parte delantera del estante en dirección de ① y levántelo en la dirección de ②. Saque el estante.



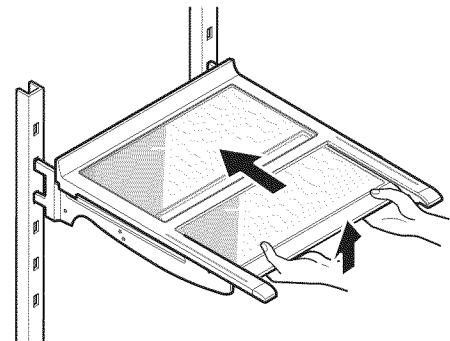
**Para volver a instalar un estante:** incline la parte delantera del estante hacia arriba y guíe los ganchos del estante al interior de las ranuras a la altura deseada. A continuación, baje la parte delantera del estante de manera que los ganchos caigan en las ranuras.



**⚠ PRECAUCIÓN:** Asegúrese de que los estantes tienen ambos lados nivelados. De lo contrario, podría caerse el estante o derramarse los alimentos.

### Estante plegable

Para almacenar artículos más altos, como botellas o garrafas, empuje la mitad delantera del estante para que se deslice debajo de la mitad posterior del estante. Tire de la parte delantera del estante hacia usted para volver a tener un estante completo.

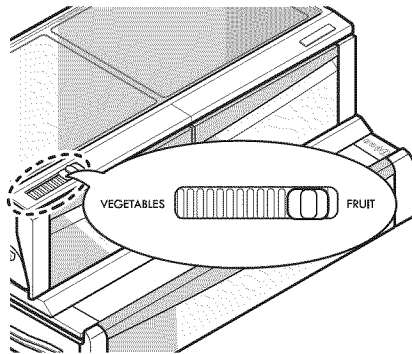


### CAJÓN CON CONTROL DE HUMEDAD

Los cajones para verduras mantienen el sabor y la frescura de la fruta y la verdura al permitir controlar fácilmente la humedad dentro del cajón.

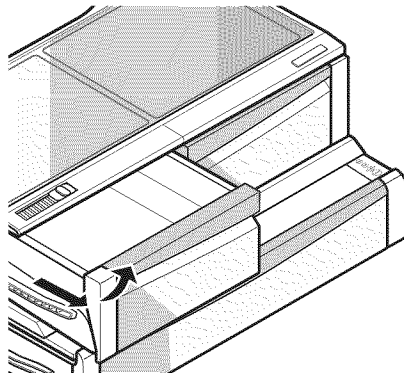
Para controlar la cantidad de humedad en los cajones para verduras con sellado antihumedad, ajuste el control en cualquier posición entre **VEGETABLES** y **FRUIT**.

- **VEGETABLES** mantiene un aire húmedo en el cajón para un mejor almacenamiento de las verduras frescas y de hoja.
- **FRUIT** mantiene el aire húmedo fuera del cajón para un mejor almacenamiento de la fruta.



### DESMONTAJE DEL CAJÓN CON CONTROL DE HUMEDAD

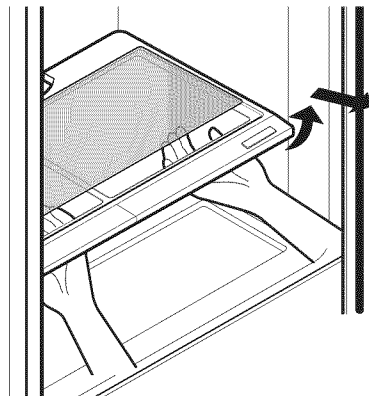
1. Para desmontarlo, saque el cajón todo lo posible.
2. Levante la parte delantera del cajón para verduras y tire de él hacia fuera.
3. Para instalarlo, incline la parte delantera ligeramente hacia arriba, inserte el cajón en el marco y empuje hasta que encaje en su sitio.



#### Para quitar el vidrio

1. Levante el vidrio situado bajo la tapa del cajón para verduras.
2. Tire del vidrio hacia arriba y hacia fuera.

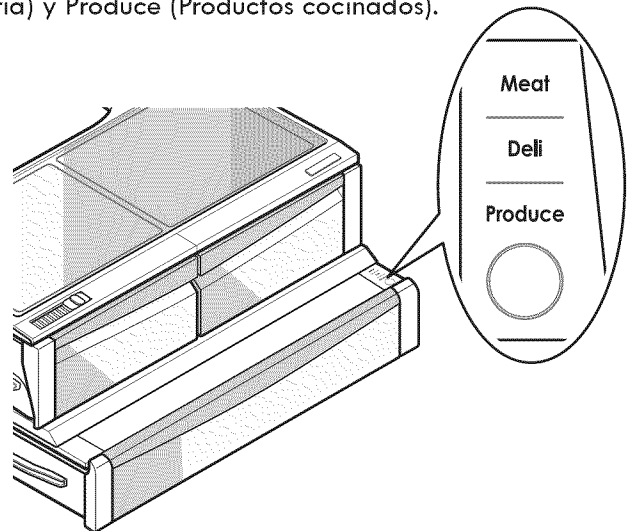
**NOTA:** Para mayor claridad, no se muestra el cajón.



### CAJÓN DESPENSERO CON CONTROL DE TEMPERATURA

El **Cajón despensero con control de temperatura** proporciona espacio de almacenamiento con un control de temperatura variable que permite mantener el compartimiento más frío que la sección del refrigerador. Este cajón se puede usar para grandes bandejas de fiesta, artículos de charcutería y bebidas. (Este cajón no se debe usar para verduras que requieran un alto nivel de humedad).

Pulse el botón para elegir entre Meat (carne), Deli (charcutería) y Produce (Productos cocinados).



**⚠ PRECAUCIÓN:** No guarde botellas de vidrio en la despensa. Si se congelan, pueden romperse y causarle lesiones.

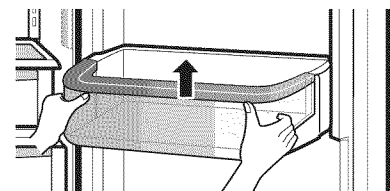
### BANDEJAS DE LA PUERTA

Las bandejas de la puerta son extraíbles para facilitar su limpieza y ajuste.

1. Para desmontar la bandeja, simplemente levántela hacia arriba y tire de ella hacia fuera.
2. Para volver a colocar la bandeja, deslícela por encima del soporte deseado y empuje hacia abajo hasta que encaje en su sitio.

**NOTA:** Algunas bandejas tienen una apariencia diferente y sólo encajarán en una ubicación.

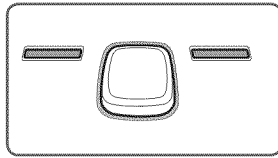
**⚠ PRECAUCIÓN:** No llene o envase en exceso los alimentos en los compartimentos de la puerta. Podría dañar el compartimento o sufrir lesiones personales al retirar los alimentos aplicando una fuerza excesiva.



## REEMPLAZO DEL FILTRO DE AIRE

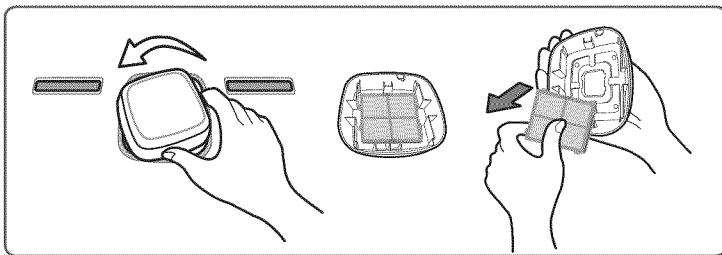
Se recomienda reemplazar el filtro de aire:

- Aproximadamente cada seis meses.
- Cuando se encienda la luz CHANGE AIR FILTER (Cambiar filtro de aire).



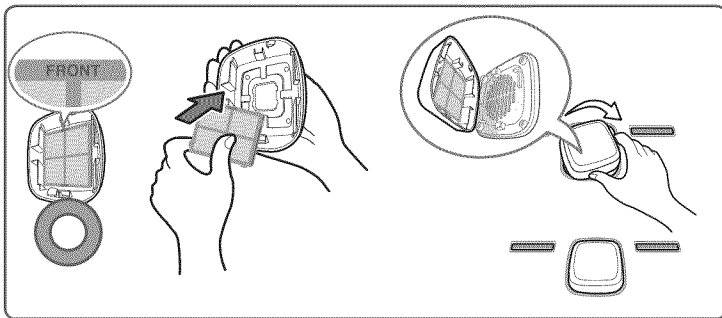
### 1. Extraiga el filtro viejo

Gire la tapa del filtro hacia la izquierda para separarlo de la pared del refrigerador. El filtro se ubica en la parte interior de la tapa del filtro. Quite el filtro de la tapa y reemplácelo con uno nuevo.



### 2. Instale un nuevo filtro de aire.

Coloque un filtro nuevo dentro de la tapa con el lateral que dice "Frente" mirando hacia afuera. Gire el filtro hacia la derecha para sujetarlo a la pared del refrigerador.



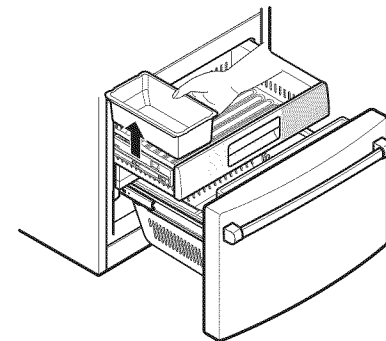
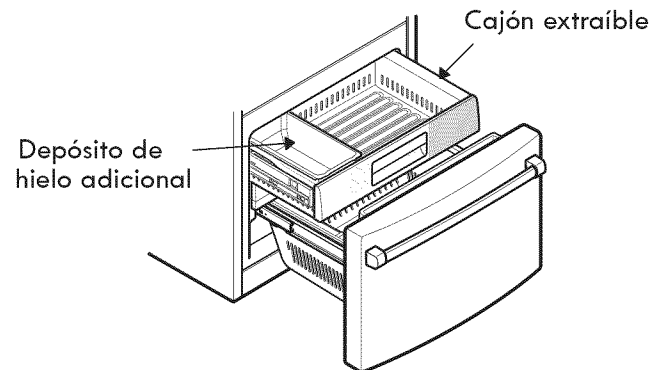
Luego de cambiar el filtro, mantenga pulsado el botón Air Filter durante tres segundos para restablecer el sensor del filtro.

**NOTA:** Para adquirir un filtro de aire de reemplazo, visitar su tienda local de Sears, o llame en EE.UU. 1-844-553-6667. y llame en Canadá 1-800-469-4663. Para compra web, visita: [www.kenmore.com](http://www.kenmore.com)

## SECCIÓN CONGELADOR

### DEPÓSITO DE HIELO ADICIONAL

1. Tire del cajón congelador y el cajón extraíble lo máximo posible para retirar el depósito de hielo adicional.
2. Con cuidado levante y saque el depósito de hielo.
3. Para volver a colocarlo, tire de los dos cajones lo máximo posible y ponga el depósito en su posición correcta en el cajón extraíble. Cierre el cajón extraíble y, después, el cajón del congelador.

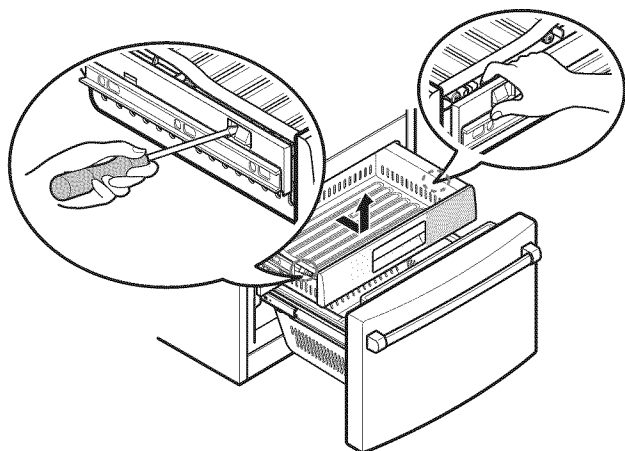


**⚠ PRECAUCIÓN:** Peligro de pinzamiento. Mantenga las manos y pies lejos de la parte inferior del cajón del congelador al abrir y al cerrar.

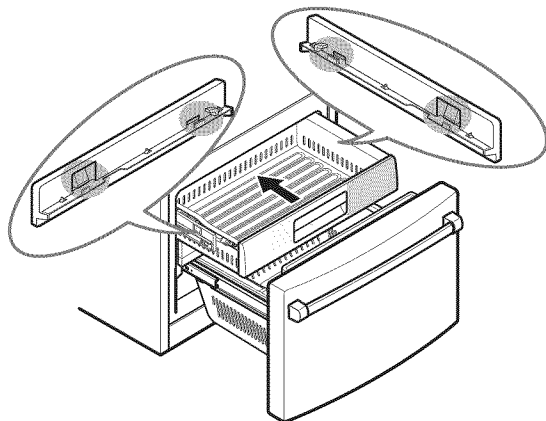
## CAJÓN EXTRAÍBLE

### Cajón superior

1. Para quitar el filtro, jale la gaveta en toda su extensión. En el riel izquierdo, empuje con un desarmador de punta plana la lengüeta para liberar la gaveta del riel, como se ilustra a continuación. Una vez que esté liberado el lado izquierdo, empuje la lengüeta del lado derecho con el dedo para liberar la gaveta. Levante la parte delantera de la gaveta y luego júlela hacia afuera.

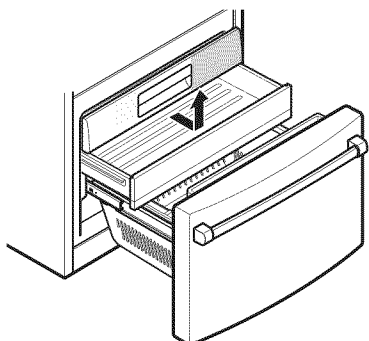


2. Para volver a colocarla, incline levemente hacia arriba la parte delantera de la gaveta, inserte la gaveta en el marco y empújela en su lugar hasta que escuche un clic.

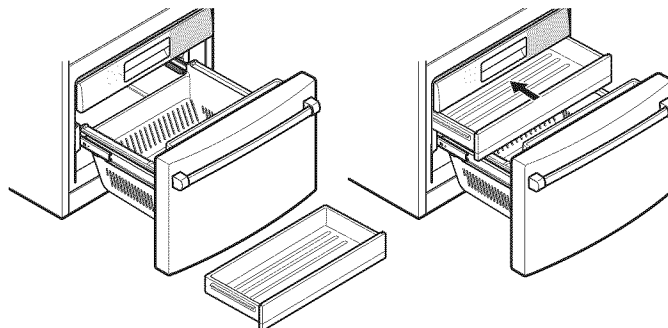


### Cajón medio

1. Para extraer el cajón, tírelo completamente hacia afuera. Levante el frente del cajón, y tire del mismo directamente hacia afuera.

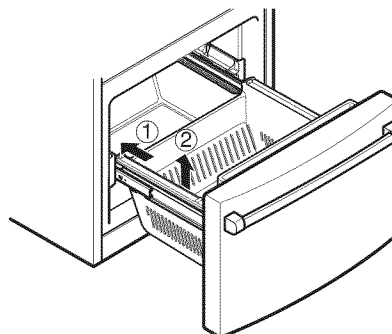


2. Para volver a colocarlo, incline la parte delantera del cajón ligeramente hacia arriba, inserte el cajón en el marco y empuje hasta que encaje en su sitio.



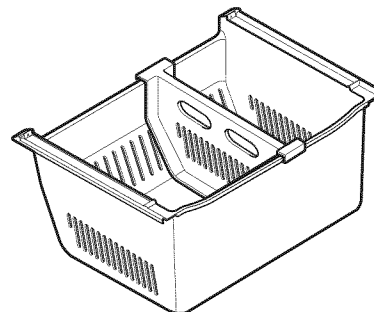
## DURABASE

1. Para desmontar el Durabase, empújelo hacia atrás todo lo posible. Incline hacia arriba la parte delantera del Durabase y tire de él hacia fuera.
2. Para volver a colocarlo, inserte el Durabase en la estructura de rieles.



## DIVISOR DURABASE

El divisor Durabase le permite organizar el área Durabase en secciones. Se puede ajustar de lado a lado para alojar artículos de diferentes tamaños.



- ⚠ ADVERTENCIA:** Si se retira el divisor Durabase, habrá suficiente espacio abierto para que un niño o una mascota puedan gatear hasta el interior. Para evitar el atrapamiento accidental de un niño o una mascota y el posible riesgo de asfixia, NO permita que niños y mascotas toquen ni se acerquen al cajón.

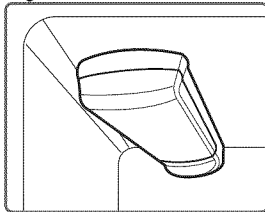
# FILTRO DE AGUA

## FILTRO DE AGUA

Water Filter

Se recomienda reemplazar el filtro de agua:

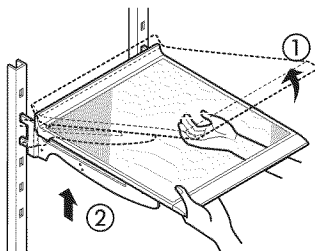
- Aproximadamente cada 6 meses.
- Cuando el indicador del filtro del agua se encienda.
- Cuando disminuya el caudal del dispensador de agua.
- Cuando los cubitos de hielo sean más pequeños de lo normal.



### Antes de sustituir el filtro de agua:

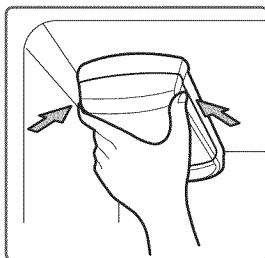
Si el estante superior, situado debajo del filtro de agua, está en la posición más alta, se necesitará retirar el mismo antes de sustituir el filtro de agua.

Para retirar cualquier estante - Levante el frente del estante ① y tire hacia arriba ②. Saque el estante.

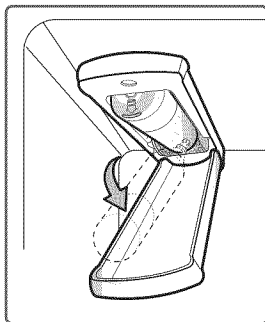


### 1. Quite el antiguo filtro de agua.

- Baje o desmonte el estante superior izquierdo para permitir que el filtro de agua pueda girar hacia abajo totalmente.
- Pulse el botón de presión para abrir la tapa del filtro de agua.



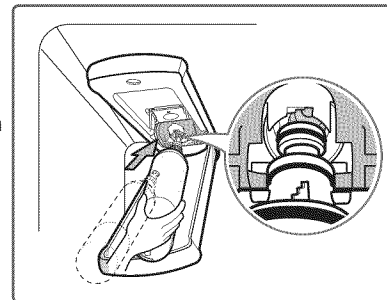
**NOTA:** Al reemplazar el filtro de agua se drena una pequeña cantidad de agua (unos 25 cc). Coloque un vaso debajo de la parte delantera de la tapa del filtro de agua para recoger el agua que se escape. Sostenga el filtro de agua en posición vertical, una vez retirado, para evitar que el agua residual se salga del filtro de agua.



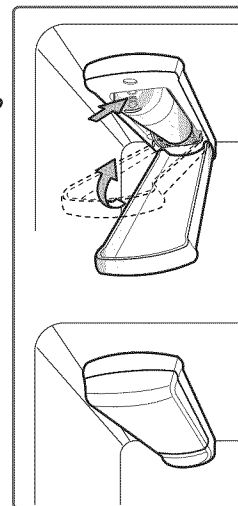
- Tire del filtro de agua hacia abajo y sáquelo.

### 2. Reemplácelo con un filtro de agua nuevo.

- Saque el nuevo filtro de agua de su envoltorio y retire la tapa protectora de las juntas tóricas. Con las pestañas del filtro de agua en posición horizontal, empuje el nuevo filtro de agua en el orificio del colector hasta que haga tope.



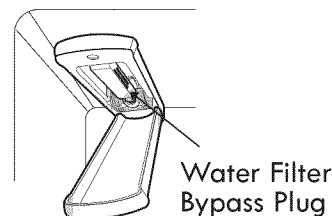
- Gire el filtro de agua hacia arriba hasta colocarlo en su sitio y cierre la tapa. La tapa hará "clic" cuando se cierre correctamente.



- 3. Después de reemplazar el filtro de agua, dispense 9 litros de agua (deje correr el agua durante unos 5 minutos) para purgar el aire atrapado y los contaminantes del sistema; no dispense los 9 litros de agua de manera continua. Pulse y suelte el botón del dispensador en ciclos de 30 segundos ON y 60 segundos OFF.

### 4. Tapón de derivación del filtro de agua

Conserve el tapón de derivación del filtro de agua. DEBE usar el tapón de derivación del filtro cuando no disponga de un cartucho de filtro de agua de repuesto.



Water Filter Bypass Plug

**⚠ PRECAUCIÓN:** NO ponga en marcha el frigorífico sin tener un filtro de agua o un tapón de derivación del filtro de agua instalado.

**NOTA:** Para comprar un filtro de agua de repuesto, visitar su tienda local de Sears, o llame en EE.UU. 1-844-553-6667. y llame en Canadá 1-800-469-4663. Para compra web, visita: [www.kenmore.com](http://www.kenmore.com)

**Hoja de datos de rendimiento**

Utilice un recambio de cartucho: 04609690000P

La concentración de las sustancias indicadas en el agua que entra al sistema se redujo a una concentración inferior o igual al límite permisible para el agua que sale del sistema tal como se especifica en las normas 42 y 53 de NSF/ANSI.



Sistema probado y certificado por NSF International conforme a las normas 42 y 53 de NSF/ANSI para la reducción de las sustancias que se enumeran a continuación.

Reducción de contaminantes	Concentración promedio	Concentración objetivo en agua	% medio de reducción	Concentración permisible del producto en agua	Concentración máxima permisible del producto en agua	Requisitos de reducción de NSF	Informe de pruebas de NSF
Olor y sabor a cloro	2,1 mg/L	2,0 mg/L ± 10%	97,2%	0,06 mg/L	N/D	≥ 50%	J-00049247
Partículas nominales (Clase I), ≥0,5 to < 1,0 µm	5,600,000 pts/mL	Como mínimo 10.000 partículas/mL	98,7%	73.000 pts/ml	N/D	≥ 85%	J-00049282
Amianto	190 MFL	107 a 108 MFL; fibras mayores de 10 µm de longitud	>99%	< 1 MFL	N/D	≥99%	J-0004928
Atracina	0,0094 mg/L	0,009 mg/L ± 10%	94,7%	0,00005 mg/L	0,003 mg/L	N/D	J-00049293
Benceno	0,016 mg/L	0,015 mg/L ± 10%	96,7%	0,005 mg/L	0,005 mg/L	N/D	J-00049300
Carbofurano	0,08 mg/L	0,08 mg/L ± 10%	98,1%	0,002 mg/L	0,04 mg/L	N/D	J-00049294
Lindano	0,002 mg/L	0,002 mg/L ± 10%	98,2%	0,00004 mg/L	0,0002 mg/L	N/D	J-00051975
P-Diclorobenceno	0,22 mg/L	0,225 mg/L ± 10%	99,8%	0,0005 mg/L	0,075 mg/L	N/D	J-00049298
Toxafeno	0,014 mg/L	0,015 mg/L ± 10%	93%	0,001 mg/L	0,003 mg/L	N/D	J-00049302
2,4-D	0,213 mg/L	0,210 mg/L ± 10%	95,2%	0,009 mg/L	0,07 mg/L	N/D	J-00049284
Plomo con pH 6,5	0,150 mg/L	0,15 mg/L ± 10%	>99,3%	0,001 mg/L	0,010 mg/L	N/D	J-00051974
Plomo con pH 8,5	0,150 mg/L	0,15 mg/L ± 10%	>99,3%	0,001 mg/L	0,010 mg/L	N/D	J-00049277
Mercurio con pH 6,5	0,0059 mg/L	0,006 mg/L ± 10%	96,1	0,0002 mg/L	0,002 mg/L	N/D	J-00053886
Mercurio con pH 8,5	0,0058 mg/L	0,006 mg/L ± 10%	90,1	0,0006 mg/L	0,002 mg/L	N/D	J-00051972
Quiste*	120.000 quistes/L	Mínimo 50.000 quistes/L	99,99%	<1 quiste/L	N/D	≥99,95%	J-00049281

\* Basado en el uso de ooquistes de *Cryptosporidium parvum*



Directrices de aplicación/Parámetros del suministro de agua	
Flujo de servicio	1,9 lpm (0,5 gpm)
Suministro de agua	Agua potable
Presión del agua	138 - 827 kPa (20-120 psi)
Temperatura del agua	0,6 °C - 38 °C (33 °F - 100 °F)

Es esencial respetar los requisitos recomendados por el fabricante para la instalación, mantenimiento y reemplazo del filtro de agua para que el producto se comporte de la forma indicada.

**NOTA:** Las pruebas se realizan en condiciones estándar de laboratorio, por lo que el rendimiento real puede variar.

**NOTA:** Para comprar un filtro de agua de repuesto, visitar su tienda local de Sears, o llame en EE.UU. 1-844-553-6667, y llame en Canadá 1-800-469-4663. Para compra web, visita: [www.kenmore.com](http://www.kenmore.com)  
 filtro de agua de repuesto: ADQ36006102

Producto distribuido en Estados Unidos por Sears Brand Management Corporation.

3M es una marca comercial de 3M Company.  
 NSF es una marca comercial de NSF International.  
 © 2009 3M Company. Reservados todos los derechos.

## ! ADVERTENCIA

**Para reducir el riesgo asociado a la ingestión de contaminantes: No utilice agua que no sea segura microbiológicamente o cuya calidad se desconozca sin una desinfección adecuada antes o después del sistema.** Los sistemas certificados para la reducción de quistes puede utilizarse en aguas desinfectadas que puedan contener quistes filtrables. Número de establecimiento de 10350-MN-005

## ! PRECAUCIÓN

**Para reducir el riesgo asociado con daños materiales debidos a fugas de agua:**

- **Lea y cumpla** las instrucciones de uso del filtro de agua antes de la instalación y uso de este sistema.
- La instalación y uso **DEBE** cumplir con todas las normativas de fontanería estatales y locales.
- **No** instalar si la presión del agua excede los 120 psi (827 kPa). Póngase en contacto con un fontanero profesional si no está seguro de cómo comprobar la presión del agua.
- **No** instalar en sistemas donde se pueda producir el efecto de golpe de ariete. Si existe una situación de golpe de ariete en la instalación, debe instalar un amortiguador de golpe de ariete. Póngase en contacto con un fontanero profesional si no está seguro de cómo comprobar esta situación.
- **No** instalar en tuberías de suministro de agua caliente. La temperatura máxima de funcionamiento del agua de este sistema de filtrado de agua es de 38 °C (100 °F).
- **Proteja el filtro de agua de la congelación.** No use el frigorífico en condiciones ambientales por debajo de los 13 °C (55 °F). Drene el filtro de agua cuando almacene la unidad en temperaturas inferiores a los 4,4 °C (40 °F).
- El filtro de agua desechable se debe reemplazar cada seis meses, a la capacidad nominal, o si se produce una significativa reducción del flujo.

State of California  
 Department of Public Health  
 Water Treatment Device  
 Certificate Number  
 09 - 2019

Date Issued: December 15, 2009

**Manufacturer:** Sears Roebuck and Co.

The water treatment device(s) listed on this certificate have met the testing requirements pursuant to Section 116830 of the Health and Safety Code for the following health related contaminants:

**Microbiological Contaminants and Turbidity**

Cysts

**Inorganic/Radiological Contaminants**

Asbestos

Lead

Mercury

**Organic Contaminants**

2,4-D Reduction

Atrazine

Benzene

Carbofuran

Lindane

p-Dichlorobenzene

Toxaphene

**Rated Service Capacity:** 200 gal

**Rated Service Flow:** 0.5 gpm

**Conditions of Certification:**

## ⚠ ADVERTENCIA



### Riesgo de explosión

Use un limpiador no inflamable. Si no se respeta esta advertencia, existe peligro de explosión, incendio o muerte.

Tanto las secciones refrigerador como congelador se descongelan de forma automática; sin embargo, se recomienda limpiar ambas secciones una vez al mes para evitar la aparición de olores. Seque los derrames inmediatamente.

### SUGERENCIAS GENERALES DE LIMPIEZA

- Desenchufe el refrigerador o desconecte la alimentación.
- Retire todos los componentes extraíbles, como estantes, cajones, etc. Consulte las secciones en **Uso del refrigerador** para obtener instrucciones acerca del desmontaje.
- Use una esponja limpia o un trapo suave, junto con un detergente suave en agua templada. No utilice limpiadores abrasivos o agresivos.
- Lave a mano, aclare y seque todas las superficies a fondo.
- Enchufe el refrigerador o vuelva a conectar la corriente.

### EXTERIOR

El encerado de las superficies metálicas pintadas externas proporciona una protección contra el óxido. No encere las piezas de plástico. Encere las superficies metálicas pintadas al menos dos veces al año con cera para electrodomésticos (o cera en pasta para coches). Aplique la cera con un trapo suave y limpio.

Para productos con un exterior en acero inoxidable, use una esponja limpia o un trapo suave, junto con un detergente suave en agua templada. No utilice limpiadores abrasivos o agresivos. Seque a fondo con un trapo suave.

### PAREDES INTERIORES (deje que el congelador se caliente para que el trapo no se quede pegado)

Para ayudarle a eliminar los olores, puede lavar el interior del refrigerador con una mezcla de bicarbonato sódico y agua templada. Mezcle 2 cucharadas soperas de bicarbonato sódico (unos 26 g) en 1 litro de agua. Asegúrese de que el bicarbonato sódico esté completamente disuelto para que no raye las superficies del refrigerador.

**⚠ PRECAUCIÓN:** Cuando esté limpiando el interior, no pulverice agua.

### REVESTIMIENTO DE LAS PUERTAS Y JUNTAS

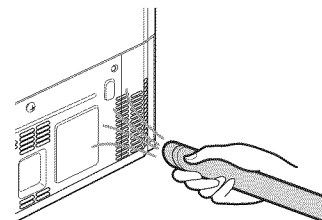
Use una esponja limpia o un trapo suave, junto con un detergente suave en agua templada. No utilice ceras de limpieza, detergentes concentrados, lejías ni limpiadores que contengan petróleo en las piezas del refrigerador que son de plástico.

### PIEZAS DE PLÁSTICO (tapas y paneles)

Use una esponja limpia o un trapo suave, junto con un detergente suave en agua templada. No utilice sprays para ventanas, limpiadores abrasivos ni líquidos inflamables, ya que pueden arañar o dañar el material.

### BOBINAS DEL CONDENSADOR

Use un aspirador con un accesorio para limpiar las bobinas del condensador y las rejillas de ventilación. No retire el panel que cubre el área de las bobinas del condensador.



## SUSTITUCIÓN DE LA BOMBILLA

**⚠ ADVERTENCIA****Riesgo de descargas eléctricas**

Antes de reemplazar la bombilla de un compartimento, desenchufe el refrigerador o corte la corriente en el disyuntor o en la caja de fusibles.

**NOTA:** La lámpara del compartimento del refrigerador es una iluminación interior mediante LEDs por lo que el mantenimiento deberá ser realizado por un técnico cualificado.

## INTERRUPCIONES DE ALIMENTACIÓN

1. Si la interrupción de la corriente durará 24 horas o menos, mantenga todas las puertas del refrigerador cerradas para que los alimentos permanezcan fríos y congelados.
2. Si la interrupción de la corriente durará más de 24 horas, saque todos los alimentos congelados y almacénelos en un arcón congelador.

## CUANDO SE VA DE VACACIONES

**Si decide dejar encendido el refrigerador mientras está fuera,** siga estos pasos para preparar el refrigerador antes de irse.

1. Consuma los alimentos perecederos y congele los demás.
2. Apague la máquina de hielo y vacíe el depósito de hielo.

**Si decide apagar el refrigerador antes de partir,** siga estos pasos.

1. Saque todos los alimentos del refrigerador.
2. En función del modelo, ajuste el control del termostato (control del refrigerador) en OFF. Consulte la sección **Ajuste de los controles.**
3. Limpie el refrigerador y séquelo a fondo.
4. Con cinta adhesiva, coloque bloques de madera o goma en la parte superior de ambas puertas para mantenerlas lo suficientemente abiertas para que pueda pasar el aire. Esto evitará la aparición de moho y malos olores.

## CUANDO SE MUDA

Quando vaya a trasladar su refrigerador a una nueva casa, siga estos pasos para prepararlo para la mudanza.

1. Saque todos los alimentos del refrigerador y empaquete todos los alimentos congelados en hielo seco.
2. Desenchufe el refrigerador.
3. Lávelo y séquelo a fondo.
4. Retire todos los componentes extraíbles, envuélvalos bien y, con cinta adhesiva, embálelos juntos para que no se muevan ni traqueteen durante la mudanza. Consulte la sección **Uso del refrigerador** para obtener instrucciones sobre componentes extraíbles.
5. En función del modelo, levante la parte delantera del refrigerador para que ruede con más facilidad O BIEN atornille los pies de nivelación para que no rayen el suelo. Consulte la sección **Cierre de las puertas.**
6. Use cinta adhesiva para mantener las puertas cerradas y para pegar el cable de alimentación al cuerpo del refrigerador.

Quando llegue a su nueva casa, vuelva a colocar todo en su sitio y consulte la sección **Instalación del refrigerador** para obtener las instrucciones de preparación.

# CONEXIÓN DE LA TUBERÍA DE AGUA

## ANTES DE EMPEZAR

Esta instalación de la tubería de agua no está cubierta por la garantía del refrigerador. Siga estas instrucciones con cuidado para minimizar el riesgo de costosos daños debidos al agua.

El golpe de ariete (golpeteo del agua en las tuberías) en la fontanería de la casa podría dañar componentes del refrigerador y provocar una fuga o una inundación de agua. Llame a un fontanero cualificado para resolver el golpe de ariete antes de instalar la tubería de suministro de agua en el refrigerador.

**⚠ PRECAUCIÓN:** Para evitar quemaduras y daños en el producto, conecte sólo el tubo de agua del refrigerador a un suministro de agua fría.

Si utiliza el refrigerador antes de la conexión al suministro de agua, asegúrese de apagar la máquina de hielo en el panel de control.

**⚠ PRECAUCIÓN:** No instale la tubería de la máquina de hielo en zonas donde las temperaturas descienden por debajo del punto de congelación.

## PRESIÓN DEL AGUA

**Un suministro de agua fría.** La presión del agua debe estar entre los 20 y los 120 psi. Si el refrigerador se instala en un área con baja presión de agua (menos de 20 psi), se puede instalar una bomba de carga para compensar la baja presión.

Si se conecta un **sistema de filtración de agua de ósmosis inversa** al suministro de agua fría, esta instalación de la tubería de agua no está cubierta por la garantía del refrigerador. Siga estas instrucciones con cuidado para minimizar el riesgo de costosos daños debidos al agua.

Si se conecta un **sistema de filtración de agua de ósmosis inversa** al suministro de agua fría, la presión de agua al sistema de ósmosis inversa debe ser como mínimo de entre 40 y 60 psi (276-414 kPa o 2,8-4,2 kgf/cm<sup>2</sup>, menos de 2-3 s para llenar un vaso de 7 oz o 198 cc de capacidad).

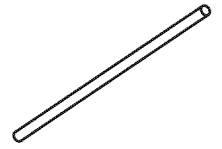
Si la presión del agua del sistema de ósmosis inversa es inferior a 20 psi o 138 kPa o 1,4 kgf/cm<sup>2</sup> (se necesitan más de 4 s para llenar un vaso de 7 oz o 198 cc de capacidad):

- Compruebe si el filtro de sedimentos del sistema de ósmosis inversa está bloqueado. Reemplace el filtro si es necesario.
- Después de un uso intensivo, déle tiempo al depósito de almacenamiento del sistema de ósmosis inversa para que se llene.
- Si el problema relacionado con la presión de agua procedente de la ósmosis inversa persiste, llame a un fontanero cualificado.
- Todas las instalaciones deben realizarse conforme a los requisitos de los códigos locales de fontanería.

**⚠ PRECAUCIÓN:** Use gafas protectoras durante la instalación para evitar lesiones.

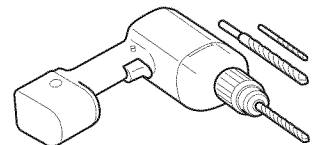
## QUÉ NECESITARÁ

- **Tubería de cobre**, de ¼ de pulgada de diámetro, para conectar el refrigerador al suministro de agua. Asegúrese de que ambos extremos de la tubería están cortados a escuadra.
- Para determinar la cantidad de tubería que necesita: mida la distancia desde la válvula de agua situada en la parte posterior del refrigerador a la tubería del suministro de agua. A continuación, súmele 2,4 metros (8 pies). Asegúrese de que haya suficiente tubería adicional (aproximadamente 2,4 metros [8 pies] enrollada en 3 vueltas de unos 25 cm [10 pulg.] de diámetro) para permitir que se pueda despegar el refrigerador de la pared después de la instalación.

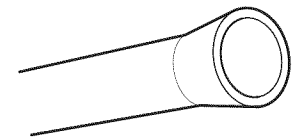
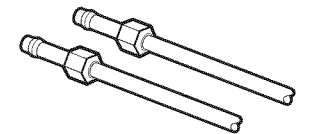


- **Taladro eléctrico.**
- **Llave de ½ pulg. o una llave inglesa.**
- **Destornilladores de punta plana y de estrella.**

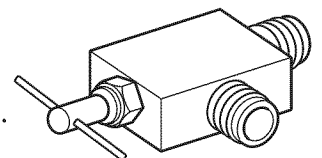
- **Dos tuercas de compresión con un diámetro exterior de ¼ de pulg. y 2 abrazaderas** para unir el tubo de cobre a la válvula de corte y a la válvula de agua del refrigerador.



- Si la tubería de agua de cobre existente tiene una conexión abocinada en el extremo, necesitará un **adaptador** (disponible en cualquier ferretería) para conectar la tubería de agua al refrigerador O puede cortar la conexión abocinada con un cortatubos y, a continuación, usar una tuerca de unión.



- **Una válvula de corte para conectar a la tubería de agua fría.** La válvula de corte debería tener una entrada de agua con un diámetro interior mínimo de 5/32 pulg. en el punto de conexión con la TUBERÍA DE AGUA FRÍA. Las válvulas de corte de montura se incluyen en muchos kits de suministros de agua. Antes de comprarla, asegúrese de que la válvula de montura cumple con los códigos locales de fontanería.



**NOTA:** No se debe usar una válvula de agua de tipo de montura autopercutor.

## ⚠ ADVERTENCIA

### Riesgo de descargas eléctricas

Si usa un dispositivo eléctrico (como un taladro) durante la instalación, asegúrese de que esté alimentado por batería y que tenga doble aislamiento o que esté correctamente conectado a tierra de manera que evite el riesgo de una descarga eléctrica.

## INSTRUCCIONES DE INSTALACIÓN

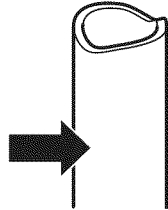
Instale la válvula de corte cerca de la tubería de agua potable que más se usa.

### 1. CORTE EL SUMINISTRO DE AGUA PRINCIPAL

Abra el grifo más cercano para liberar la presión de la línea.

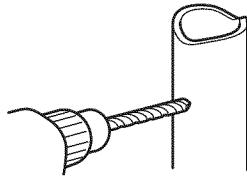
### 2. ELIJA LA UBICACIÓN DE LA VÁLVULA

Elija una ubicación para la válvula a la que se pueda acceder fácilmente. Es mejor conectarla en el lateral de una tubería de agua vertical. Cuando sea necesario conectarla en una tubería de agua horizontal, realice la conexión en la parte superior o lateral, en lugar de conectarla a la parte inferior, para evitar la acumulación de sedimentos de la tubería de agua.



### 3. TALADRE EL ORIFICIO PARA LA VÁLVULA

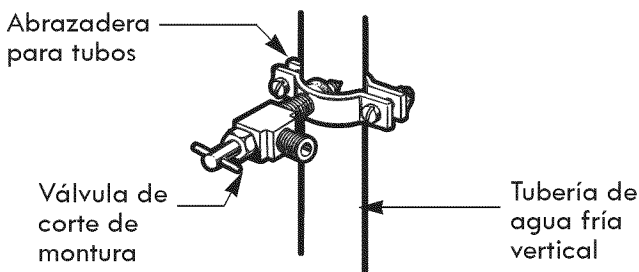
Taladre un orificio de 1/4 pulg. en la tubería de agua mediante una punta afilada. Quite todas las rebabas resultantes de taladrar el orificio en la tubería. Tenga cuidado de que no caiga agua en el taladro. Si no se taladra un orificio de 1/4 de pulg., podría verse reducida la producción de hielo y el tamaño de los cubitos.



**NOTA:** La tubería de conexión no puede ser una tubería blanca de plástico. Los fontaneros profesionales solo pueden utilizar tuberías de cobre (tuberías NDA #49595 o #49599) o tuberías de Polietileno Reticular (PEX).

### 4. FIJE LA VÁLVULA DE CORTE

Fije la válvula de corte a la tubería de agua fría con la abrazadera para tubos.

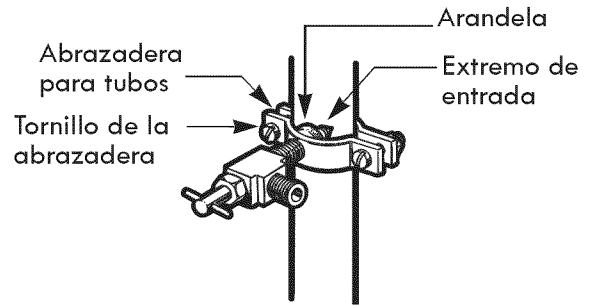


**NOTA:** Se deben cumplir los códigos de fontanería 248CMR del Estado de Massachusetts. Las válvulas de montura son ilegales y no se permite su uso en Massachusetts. Consulte a su fontanero autorizado.

### 5. APRIETE LA ABRAZADERA PARA TUBOS

Apriete los tornillos de la abrazadera hasta que la arandela de sellado comience a hincharse.

**NOTA:** Tenga cuidado de no sobreapretar la abrazadera, ya que podría romper la tubería.



### 6. ENCAMINE LA TUBERÍA

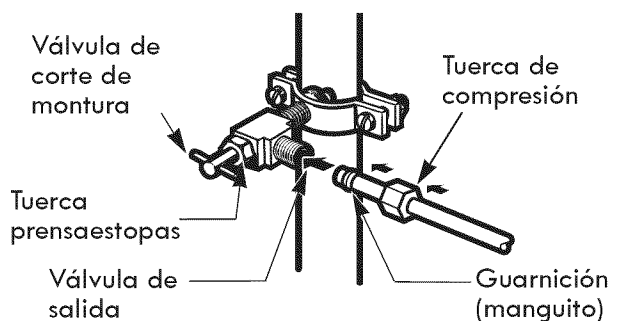
Encamine la tubería entre la tubería de agua fría y el refrigerador.

Encamine la tubería a través de un orificio taladrado en la pared o suelo (detrás del refrigerador o junto a la base del aparato) lo más cerca de la pared que sea posible.

**NOTA:** Asegúrese de que haya suficiente tubería adicional (aproximadamente 2,4 metros enrollada en 3 vueltas de unos 25 cm diámetro) para permitir que se pueda despegar el refrigerador de la pared después de la instalación.

### 7. CONECTE LA TUBERÍA A LA VÁLVULA

Coloque la tuerca de compresión y la abrazadera para la tubería de cobre en el extremo de la tubería y conéctela a la válvula de corte. Asegúrese de que la tubería está completamente insertada en la válvula. Apriete la tuerca de compresión con fuerza.



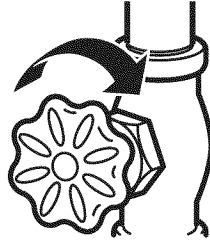
**NOTA:** Se deben cumplir los códigos de fontanería 248CMR del Estado de Massachusetts. Las válvulas de montura son ilegales y no se permite su uso en Massachusetts. Consulte a su fontanero autorizado.

## CONEXIÓN DE LA TUBERÍA DE AGUA

### 8. ACLARE EL INTERIOR DE LA TUBERÍA

Active el suministro de agua principal y deje correr el agua por la tubería hasta que salga agua limpia.

Corte la válvula de agua después de que haya pasado aproximadamente un litro de agua a través de la tubería.

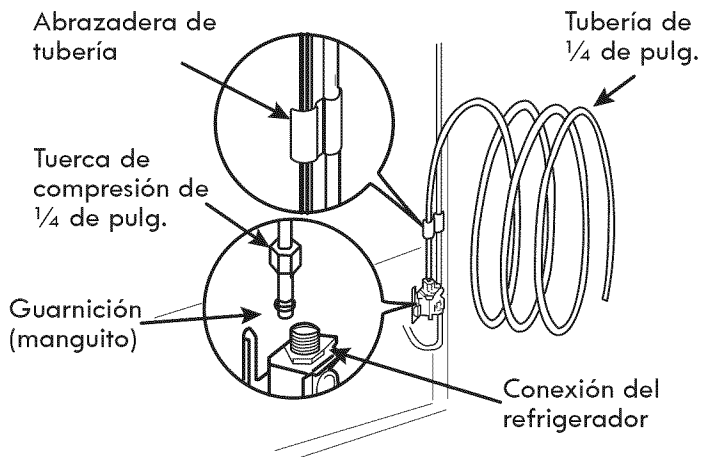


### 9. CONECTE LA TUBERÍA AL REFRIGERADOR

#### ! ADVERTENCIA

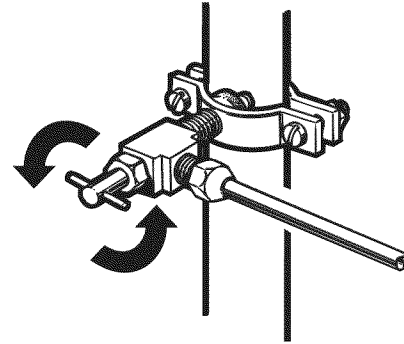
Antes de realizar la conexión al refrigerador, asegúrese de que el cable de alimentación del refrigerador no está enchufado a la toma de corriente.

1. Retire la tapa de plástico flexible de la válvula de agua.
2. Coloque la tuerca de compresión y la guarnición (manguito) en el extremo del tubo tal como se muestra en la imagen.
3. Inserte el extremo de la tubería de cobre en la conexión todo lo que pueda. Mientras sujeta la tubería, apriete el adaptador.



### 10. ABRA EL PASO DE AGUA EN LA VÁLVULA DE CORTE

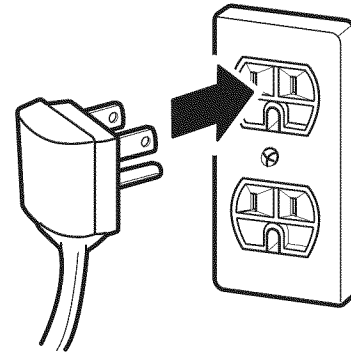
Apriete las conexiones que goteen.



**! PRECAUCIÓN:** Compruebe si hay fugas en las conexiones de las tuberías de agua.

### 11. ENCHUFE EL REFRIGERADOR

Disponga la bobina de tubería de tal manera que no vibre contra la parte posterior del refrigerador ni contra la pared. Empuje el refrigerador hacia la pared.



### 12. ENCIENDA LA MÁQUINA DE HIELO

Encienda la máquina de hielo en el panel de control.

La máquina de hielo no comenzará a funcionar hasta que no alcance su temperatura de funcionamiento de  $-9^{\circ}\text{C}$  ( $15^{\circ}\text{F}$ ) o menos. Se pondrá en funcionamiento automáticamente si se ha puesto en ON el botón de la máquina de hielo.

# GUÍA DE SOLUCIÓN DE PROBLEMAS

Before conducting troubleshooting, make sure that the following basic requirements are met:

Flujo de servicio	1,9 lpm (0,5 gpm)
Suministro de agua	Agua potable
Presión del agua	138 - 827 kPa (20-120 psi)
Límites de temperatura ambiente para el funcionamiento	55°F - 110°F
Especificaciones eléctricas	115 voltios, 60 Hz, AC únicamente, y fusionado a 15 o 20 amperios.

## ENFRIADO

Problema	Causas posibles	Solutions
Las secciones del refrigerador y del congelador no enfrían.	El control del refrigerador está en la posición OFF (en algunos modelos).	Encienda el control. Consulte la sección Ajuste de los controles para obtener información acerca de los ajustes correctos de temperatura.
	El refrigerador está en Demo Mode (Modo Demostración).	El Modo demostración permite que las luces y la pantalla de control funcionen con normalidad, si bien el sistema de refrigeración está deshabilitado para ahorrar energía, mientras el electrodoméstico está en la planta de exposición del establecimiento comercial. Consulte la sección Ajuste de los controles para obtener instrucciones sobre cómo desactivar el Modo Demostración.
	El refrigerador está en el ciclo de descongelación.	Durante el ciclo de descongelación, la temperatura de cada compartimiento puede aumentar ligeramente. Espere 30 minutos y una vez que se haya completado el ciclo de descongelación, verifique que la temperatura correcta se haya restablecido.
	El refrigerador se instaló recientemente.	Puede tomar hasta 24 horas para que cada compartimiento alcance la temperatura deseada.
	El refrigerador se trasladó recientemente.	Si el refrigerador estuvo fuera de uso por mucho tiempo, o si estuvo guardado de costado, es necesario que se lo posiciones de manera vertical por 24 horas antes de conectarlo a la energía eléctrica.
El sistema de enfriado funciona por demasiado tiempo.	El refrigerador ha reemplazado a un modelo más antiguo.	Los refrigeradores modernos requieren más tiempo de funcionamiento pero consumen menos energía gracias a una tecnología más eficiente.
	El refrigerador se acaba de enchufar o la electricidad se acaba de restablecer.	El refrigerador puede tardar hasta 24 horas en enfriarse completamente.
	La puerta se abre a menudo o se acaba de introducir una gran cantidad de alimentos/ alimentos calientes.	Cuando se introducen alimentos o se abren las puertas, aumenta la temperatura del refrigerador, lo que obliga al compresor a funcionar por más tiempo para volver a enfriar el refrigerador. Para ahorrar energía, intente sacar todo lo que necesite del refrigerador de una sola vez, mantenga los alimentos organizados para que resulte fácil encontrarlos, y cierre la puerta en cuanto saque el alimento. (Consulte la Guía para el almacenamiento de alimentos).
	Las puertas no están completamente cerradas.	Empuje firmemente para cerrar las puertas. Si éstas no se cierran por completo, consulte el apartado "Las puertas no se cierran completamente o quedan abiertas en la sección Componentes y Características de la Guía de resolución de problemas.
	El refrigerador está instalado en un lugar caluroso.	El compresor funcionará por más tiempo en condiciones calurosas. A temperaturas ambiente normales (21 °C), el compresor debería funcionar entre el 40% y el 80% del tiempo. En condiciones más calurosas, sería esperable que funcionara incluso más a menudo. No se debería usar el refrigerador si la temperatura supera los 43°C.
	La tapa posterior/ el condensador está obstruida/o.	Use un aspirador con un accesorio para limpiar las bobinas del condensador y las rejillas de ventilación. No retire el panel que cubre el área de las bobinas del condensador.

**ENFRIADO**

Problema	Causas posibles	Solutions
La sección del REFRIGERADOR o del CONGELADOR está demasiado caliente.	El refrigerador se instaló recientemente.	Puede tomar hasta 24 horas para que cada compartimiento alcance la temperatura deseada.
	Los conductos de ventilación del aire están bloqueados.	Reorganice los artículos dentro del electrodoméstico para permitir que el aire fluya a través del compartimiento. Consulte el diagrama de Flujo de aire en la sección Uso del refrigerador.
	Las puertas se abren a menudo o por largos períodos de tiempo.	Cada vez que las puertas se abren a menudo o por largos períodos de tiempo, ingresa aire caliente y húmedo al compartimiento. Esto aumenta la temperatura y el nivel de humedad dentro de compartimiento. Para disminuir el efecto, reduzca la frecuencia y duración de apertura de la puerta.
	La unidad está instalada en un lugar caluroso.	No se debería usar el refrigerador si la temperatura supera los 43°C (110°F).
	Se agregó una gran cantidad de alimentos o alimentos calientes al alguno de los compartimientos.	Agregar alimentos calienta el compartimiento, con lo cual se necesita que el sistema de enfriado comience a funcionar. Dejar que la comida caliente se enfríe a temperatura ambiente antes de ponerla en el refrigerador reducirá dicho efecto.
	Las puertas no cierran correctamente.	Consulte el apartado "Las puertas no se cierran completamente o quedan abiertas" en la sección Componentes y Características de la Guía de resolución de problemas.
	El control de temperatura no es el adecuado.	Si la temperatura no está lo suficientemente fría, ajuste el control de a un punto a la vez y espere a que la temperatura se estabilice. Consulte la sección Ajuste de los controles para obtener mayor información.
	El ciclo de descongelación se ha completado recientemente.	Durante el ciclo de descongelación, la temperatura de cada compartimiento puede aumentar ligeramente y se puede formar condensación en la pared trasera. Espere 30 minutos y una vez que se haya completado el ciclo de descongelación, verifique que la temperatura correcta se haya restablecido.
Acumulación de humedad en el interior	Las puertas se abren seguido o por largos períodos de tiempo.	Cada vez que las puertas se abren seguido o por largos períodos de tiempo, ingresa aire caliente y húmedo al compartimiento. Esto aumenta la temperatura y el nivel de humedad dentro de compartimiento. Para disminuir el efecto, reduzca la frecuencia y duración de apertura de la puerta.
	Las puertas no cierran correctamente.	Consulte el apartado "Las puertas no se cierran correctamente" en la sección Guía para la solución de problemas.
	El clima es húmedo.	El clima húmedo hace que más humedad ingrese a los compartimientos cuando se abren las puertas, provocando condensación o congelación. Mantener un nivel razonable de humedad en el hogar ayudará a controlar la cantidad de humedad que ingresa en los compartimientos.
	El ciclo de descongelación se acaba de completar.	Durante el ciclo de descongelación, la temperatura de cada compartimiento puede aumentar ligeramente y se puede formar condensación en la pared trasera. Espere 30 minutos y una vez que se haya completado el ciclo de descongelación, verifique que la temperatura correcta se haya restablecido.
	Los alimentos no están empaquetados correctamente.	Los alimentos destapados o desenvueltos y los envases húmedos pueden provocar la acumulación de humedad dentro de cada compartimiento. Limpie y seque todos los envases, y almacene los alimentos en empaques sellados para prevenir la condensación y la congelación.

**ENFRIADO/ HIELO Y AGUA**

Problema	Causas posibles	Solutions
Los alimentos se congelan en el compartimiento del refrigerador.	Alimentos con alto contenido de agua fueron colocados cerca de la ventilación de aire.	Reubique los alimentos con alto contenido de agua lejos de las ventilaciones de aire.
	El control de temperatura del refrigerador está incorrectamente ajustado.	Si la temperatura está demasiado fría, ajuste el control de a un punto a la vez y espere a que la temperatura se estabilice. Consulte la sección Ajuste de los controles para obtener mayor información.
	El refrigerador está instalado en un lugar frío.	Cuando el refrigerador funciona a una temperatura menor a los 5°C (41°F), los alimentos pueden congelarse en el compartimiento del refrigerador. No se debería usar el refrigerador si la temperatura es inferior a los 13°C (55°F).
Se forman cristales de hielo o escarcha en los alimentos congelados (fuera de los paquetes).	La puerta se abre seguido o por largos períodos de tiempo.	Cada vez que las puertas se abren a menudo o por largos períodos de tiempo, ingresa aire caliente y húmedo al compartimiento. Esto aumenta la temperatura y el nivel de humedad dentro de compartimiento. La humedad produce congelación y condensación. Para disminuir el efecto, reduzca la frecuencia y duración de apertura de la puerta.
	La puerta no se cierra correctamente.	Consulte el apartado "Las puertas no se cierran completamente o quedan abiertas" en la sección de la Guía de resolución de problemas.
La sección del REFRIGERADOR o del CONGELADOR está demasiado fría.	Los ajustes de control de temperatura son incorrectos.	Si la temperatura está demasiado fría, ajuste el control de a un punto a la vez y espere a que la temperatura se estabilice. Consulte la sección Ajuste de los controles para obtener mayor información.
Se forman cristales de hielo o escarcha en los alimentos congelados (dentro de paquetes sellados).	La condensación proveniente de los alimentos con alto contenido de agua provoca la congelación en el interior del paquete del alimento.	Esto es normal en alimentos con alto contenido de agua.
	Los alimentos se han dejado en el congelador por un largo tiempo.	No almacene alimentos con alto contenido de agua en el congelador durante mucho tiempo.
La máquina de hielo no hace suficiente hielo.	La necesidad de hielo excede la capacidad de almacenamiento de hielo.	La máquina de hielo fabricará aproximadamente 70-182 cubitos en un período de 24 horas.
	El suministro de agua del hogar no está conectado, la válvula no está completamente encendida, o la válvula está obstruida.	Conecte el refrigerador al suministro de agua fría con adecuada presión y abra completamente la válvula de corte de agua.  Si el problema persiste, puede ser necesario contactar a un plomero.
	El filtro de agua está agotado.	Se recomienda reemplazar el filtro de agua: <ul style="list-style-type: none"> <li>• Aproximadamente cada seis meses.</li> <li>• Cuando se encienda el indicador del filtro del agua.</li> <li>• Cuando disminuya el caudal del dispensador de agua.</li> <li>• Cuando los cubitos de hielo sean más pequeños de lo normal.</li> </ul>
	Baja presión de suministro de agua en el hogar.	La presión del agua debe estar entre los 20 y los 120 psi en modelos sin filtro de agua, y entre los 40 y 120 psi en modelos con filtro de agua.  Si el problema continúa, puede ser necesaria la ayuda de un fontanero o la instalación de una bomba de carga para compensar la baja presión del agua.
	Se utilizar un sistema de filtración de agua de ósmosis inversa.	Los sistemas de filtración de agua de ósmosis inversa pueden reducir la presión de agua por debajo del mínimo y provocar problemas en la máquina de hielo. (Consulte la sección Presión del agua).
	La tubería que conecta el refrigerador al suministro del hogar está retorcida.	La tubería se puede retorcer cuando el refrigerador se mueve durante la instalación o limpieza, lo que provoca un flujo de agua reducido. Enderece o repare el conducto de suministro del agua y arréglole a fin de prevenir futuras torceduras.

**HIELO Y AGUA**

Problema	Causas posibles	Solutions
La máquina de hielo no hace suficiente hielo (continuación).	Las puertas se abren seguido o por largos períodos de tiempo.	Si las puertas de la unidad se abren a menudo, el aire ambiental calentará el refrigerador e impedirá que la unidad pueda mantener la temperatura establecida. Para ayudar a resolver este problema puede bajar la temperatura del refrigerador, además de no abrir la puerta con tanta frecuencia.
	Las puertas no están completamente cerradas.	Si las puertas no se cierran correctamente, la fabricación de hielo se verá afectada. Para obtener mayor información, consulte el apartado “Las puertas no se cierran completamente o quedan abiertas” en la sección Componentes y Características de la Guía de resolución de problemas.
	El ajuste de temperatura del congelador es demasiado cálido.	La temperatura recomendada para el compartimento del congelador para una fabricación normal de hielo es de $-18^{\circ}\text{C}$ ( $0^{\circ}\text{F}$ ). Si la temperatura del congelador es superior, la fabricación de hielo se verá afectada.
Se dispensa agua lentamente.	El filtro de agua está agotado.	Se recomienda reemplazar el filtro de agua: <ul style="list-style-type: none"> <li>• Aproximadamente cada seis meses.</li> <li>• Cuando se encienda el indicador del filtro del agua.</li> <li>• Cuando disminuya el caudal del dispensador de agua.</li> <li>• Cuando los cubitos de hielo sean más pequeños de lo normal.</li> </ul>
	Se utiliza un sistema de filtración de agua de ósmosis inversa.	Los sistemas de filtración de agua de ósmosis inversa pueden reducir la presión de agua por debajo del mínimo y provocar problemas en la máquina de hielo.  Si el problema continúa, puede ser necesaria la ayuda de un fontanero o la instalación de una bomba de carga para compensar la baja presión del agua.
	Baja presión de suministro de agua en el hogar.	La presión del agua debe estar entre los 20 y los 120 psi en modelos sin filtro de agua, y entre los 40 y 120 psi en modelos con filtro de agua.  Si el problema continúa, puede ser necesaria la ayuda de un fontanero o la instalación de una bomba de carga para compensar la baja presión del agua.
No se dispensa hielo.	Las puertas no están completamente cerradas.	El hielo no se dispensará si hay alguna puerta del refrigerador abierta.
	Uso poco frecuente del dispensador.	Si el dispensador de hielo se usa con poca frecuencia, con el tiempo los cubitos de hielo se pegan unos a otros, lo que impide que se dispensen correctamente. Compruebe el depósito de hielo en busca de cubitos agrupados o pegados entre sí. Si los hubiera, sepárelos para que el dispensador funcione correctamente.
	El conducto de dispensación está obstruido con escarcha o fragmentos de hielo.	Para eliminar la escarcha o los fragmentos de hielo, desmonte el depósito de hielo y libere el conducto con un utensilio de plástico. La dispensación de hielo en cubitos también ayuda a evitar la formación de escarcha y fragmentos de hielo.
	La pantalla del dispensador está bloqueada.	Mantenga presionado el botón Lock durante tres segundos para desbloquear el panel de control y el dispensador.
	El depósito de hielo está vacío.	Puede tomar hasta 24 horas para que cada compartimento alcance la temperatura deseada y para que la máquina de hielo comience a fabricar hielo. Asegúrese de que el corte (brazo/sensor) no esté obstruido.  Una vez que se haya ventilado el suministro de hielo en el depósito de hielo, puede tomar hasta 90 minutos para que esté disponible más hielo, y aproximadamente 24 horas para poder rellenar el depósito por completo.

HIELO Y AGUA

Problema	Causas posibles	Solutions
La máquina de hielo no hace hielo.	El refrigerador se instaló recientemente o la máquina de hielo se conectó recientemente.	Puede tomar hasta 24 horas para que cada compartimiento alcance la temperatura deseada y para que la máquina de hielo comience a fabricar hielo.
	La máquina de hielo no está encendida.	Localice el interruptor ON/OFF (encendido/apagado) de la máquina de hielo y confirme que está en la posición ON.
	El refrigerador no está conectado a un suministro de agua o la válvula de corte del suministro no está abierta.	Conecte el refrigerador al suministro de agua y abra completamente la válvula de corte de agua.
	Apagado de la máquina de hielo (brazo palpador) obstruido.	Si su máquina de hielo viene equipada con un brazo de corte de hielo, asegúrese de que el brazo se mueva libremente.
	Tiene conectado un sistema de filtración de agua de ósmosis inversa al suministro de agua fría.	Los sistemas de filtración de agua de ósmosis inversa pueden reducir la presión de agua por debajo del mínimo y provocar problemas en la máquina de hielo. (Consulte la sección Presión del agua).
No se dispensa agua.	Nueva instalación o conducto de agua recientemente conectado.	Dispense 9 litros de agua (deje correr el agua durante unos 5 minutos) para purgar el aire atrapado y los contaminantes del sistema. No dispense los 9 litros de agua de manera continua. Pulse y suelte el botón del dispensador en ciclos de 30 segundos ON (encendido) y 60 segundos OFF (apagado).
	El panel del dispensador está bloqueado.	Mantenga presionado el botón Lock durante tres segundos para desbloquear el panel de control y el dispensador.
	El dispensador no está ajustado para dispensar agua.	El dispensador se puede ajustar para que dispense hielo o agua. Compruebe que el panel de control está ajustado para el funcionamiento deseado. Presione el botón Water (agua) en el panel de control para dispensar agua.
	Las puertas del refrigerador o del congelador no están cerradas correctamente.	El agua no se dispensará si hay alguna puerta del refrigerador abierta.
	El filtro de agua se sacó o se cambió recientemente.	Después de reemplazar el filtro de agua, dispense 9 litros de agua (deje correr el agua durante unos 5 minutos) para purgar el aire atrapado y los contaminantes del sistema; No dispense los 9 litros de agua de manera continua. Pulse y suelte el botón del dispensador por ciclos de 30 segundos ON (encendido) y 60 segundos OFF (apagado).
	La tubería que conecta el refrigerador al suministro del hogar está retorcida.	La tubería se puede retorcer cuando el refrigerador se mueve durante la instalación o limpieza, lo que provoca un flujo de agua reducido. Enderece o repare el conducto de suministro del agua y arréglole a fin de prevenir futuras torceduras.
	El suministro de agua del hogar no está conectado, la válvula no está completamente encendida, o la válvula está obstruida.	Conecte el refrigerador al suministro de agua y abra completamente la válvula de corte de agua.  Si el problema persiste, puede ser necesario contactar a un plomero.



**HIELO Y AGUA**

Problema	Causas posibles	Solutions
El hielo huele o sabe mal.	El suministro de agua contiene minerales tales como el azufre.	Es posible que deba reemplazar el filtro de agua para eliminar los problemas de olor y sabor.  <b>NOTA:</b> En algunos casos, un filtro podría no ser de ayuda. Puede no resultar posible quitar todo mineral/ olor/sabor en todos los suministros de agua.
	La máquina de hielo se instaló hace poco tiempo.	Deseche las primeras tandas de hielo para evitar hielo manchado o con mal sabor.
	El hielo ha estado almacenado por demasiado tiempo.	El hielo almacenado por demasiado tiempo se achicará, se volverá turbio, y puede desarrollar un sabor rancio. Deseche el hielo antiguo y fabrique un nuevo suministro.
	Los alimentos no se han almacenado correctamente en los compartimentos.	Vuelva a envolver los alimentos. Vuelva a envolver los alimentos ya que, si no están correctamente envueltos, los olores podrían migrar hasta el hielo.
	El interior del refrigerador necesita una limpieza.	Consulte la sección Cuidado y limpieza para obtener más información.
	El depósito de hielo necesita una limpieza.	Vacíe y limpie el depósito (deseche los cubitos de hielo viejos). Asegúrese de que el depósito está completamente seco antes de reinstalarlo.
El agua del dispensador está caliente.	Refrigerator was recently installed.	Espere 24 horas tras la instalación a que el depósito de almacenamiento del agua se enfríe completamente.
	The water dispenser has been used recently and the storage tank was exhausted.	Dependiendo de su modelo específico, la capacidad de almacenamiento de agua será de aproximadamente 20 a 30 oz.
	Dispenser has not been used for several hours.	Si el dispensador no se utilizó por varias horas, el primer vaso dispensado puede no estar lo suficientemente frío. Deseche las primeras 10 onzas.
	Refrigerator is connected to the hot water supply.	Asegúrese de que el refrigerador está conectado a una tubería de agua fría.  <b>⚠ ADVERTENCIA:</b> Conectar el refrigerador a un conducto de agua caliente puede dañar la máquina de hielo.
El agua huele o sabe mal.	Water supply contains minerals such as sulfur.	Es posible que deba reemplazar el filtro de agua para eliminar los problemas de olor y sabor.
	Water filter has been exhausted.	Se recomienda reemplazar el filtro de agua:  <ul style="list-style-type: none"> <li>• Aproximadamente cada 6 meses.</li> <li>• Cuando se encienda el indicador del filtro del agua.</li> <li>• Cuando disminuya el caudal del dispensador de agua.</li> <li>• Cuando los cubitos de hielo sean más pequeños de lo normal.</li> </ul>
	Refrigerator was recently installed.	Dispense 9 litros de agua (deje correr el agua durante unos 5 minutos) para purgar el aire atrapado y los contaminantes del sistema. No dispense los 9 litros de agua de manera continua. Pulse y suelte el botón del dispensador en ciclos de 30 segundos ON (encendido) y 60 segundos OFF (apagado).
La máquina de hielo hace demasiado hielo.	Apagado de la máquina de hielo (brazo palpador) obstruido.	Vacíe el recipiente de hielo. Si la máquina de hielo incorpora un brazo de apagado, asegúrese de que se mueva libremente. Vuelva a instalar el recipiente de hielo y espere 24 horas para comprobar su correcto funcionamiento.

**RUIDO**

Problema	Causas posibles	Solutions
Clics	El control de descongelación emitirá un "clic" al comenzar y al finalizar el ciclo de descongelación. El control del termostato (o control del refrigerador en algunos modelos) también emitirá un "clic" al iniciar o finalizar un ciclo.	Funcionamiento normal.
Traqueteo	Los ruidos de traqueteos pueden proceder del flujo del refrigerante, de la tubería de agua en la parte posterior de la unidad, o de artículos almacenados encima o alrededor del refrigerador.	Funcionamiento normal.
	El refrigerador no está sólidamente apoyado en el suelo.	El suelo es poco sólido o irregular, o es necesario ajustar los pies de nivelación. Consulte la sección Alineación de las puertas.
	El refrigerador con compresor lineal se sacudió mientras estaba funcionando.	Funcionamiento normal.
Ruido de aspas	El motor del ventilador del evaporador está moviendo el aire a través de los compartimentos del refrigerador y del congelador.	Funcionamiento normal.
	El ventilador del condensador está forzando el paso de aire a través del condensador.	Funcionamiento normal.
Borboteo	Refrigerante está fluyendo a través del sistema de enfriamiento.	Funcionamiento normal.
Crujido	Se produjo la contracción y expansión de las paredes internas debido a cambios en la temperatura.	Funcionamiento normal.
Crepitación	El agua cayendo en el calentador de descongelación durante un ciclo de descongelación.	Funcionamiento normal.
Vibración	Si el lateral o la parte posterior del refrigerador están en contacto con un mueble o una pared, algunas de las vibraciones normales pueden producir un sonido audible.	Para eliminar el ruido, asegúrese de que los laterales y la parte posterior no puedan vibrar contra las paredes o los muebles.
Goteo	El agua cayendo en la batea de drenaje durante el ciclo de descongelación.	Funcionamiento normal.
Sonido de pulsación o agudo	Su refrigerador está diseñado para funcionar de forma más eficiente para conservar los alimentos a la temperatura deseada. El compresor de alta eficiencia puede hacer que su nuevo refrigerador funcione durante más tiempo que su antiguo refrigerador, y aun así será más eficiente energéticamente que los modelos anteriores. Mientras el refrigerador está en funcionamiento, es normal escuchar un sonido de pulsación o agudo.	Funcionamiento normal.



COMPONENTES Y CARACTERÍSTICAS

Problema	Causas posibles	Solutions
Las puertas no se cierran completamente o quedan abiertas.	Hay paquetes de alimentos bloqueando la puerta que impiden que se cierre.	Reorganice los envases de alimentos para liberar la puerta y los estantes de la puerta.
	El depósito de hielo, la tapa del cajón para verduras, las bateas, los estantes, las bandejas de las puertas o las cestas no están en su sitio.	Coloque correctamente las bandejas, la tapa del cajón para verduras, las bateas, los estantes y las cestas. Consulte la sección Uso del refrigerador Uso del refrigerador.
	Las puertas se desmontaron durante la instalación del producto y no se volvieron a colocar correctamente.	Desmunte y vuelva a colocar las puertas siguiendo las instrucciones de la sección Desmontaje y sustitución de las manijas y puertas del refrigerador.
	La puerta no está correctamente nivelada.	Consulte el apartado Alineación de las puertas en la sección Instalación del refrigerador para nivelar el refrigerador.
Las puertas se abren con gran dificultad.	Las juntas están sucias o pegajosas.	Limpie las juntas y las superficies de contacto. Aplique una fina capa de cera para electrodomésticos o cera de cocina en las juntas después de limpiarlas.
	La puerta se acaba de cerrar.	Cuando abre la puerta, aire más caliente entra al refrigerador. Al enfriarse, crea el vacío. Si le cuesta abrir la puerta, espere un minuto para permitir que la presión del aire se equalice y, a continuación, compruebe si se abre con más facilidad.
El refrigerador se bambolea o parece inestable.	Las patas niveladoras no están correctamente ajustadas.	Consulte la sección Nivelación y alineación de las puertas.
	El piso no está nivelado.	Puede ser necesario agregar calibradores debajo de las patas o rodillos de nivelación o para completar el proceso de instalación.
Las luces no funcionan.	Falla de iluminación interior LED.	La lámpara del compartimiento del refrigerador es una iluminación interior mediante LED, por lo que el mantenimiento deberá ser realizado por un técnico cualificado. Consulte la sección Sustitución de la bombilla.
Le refrigerador tiene un olor inusual.	El filtro de aire puede necesitar ser ajustado a MAX (máximo) o ser reemplazado.	Ajuste el filtro de aire a MAX. Si no desaparece el olor dentro de las 24 horas, el filtro puede necesitar ser cambiado. Consulte la sección Sustitución del filtro de aire para obtener instrucciones acerca del reemplazo.
El interior del frigorífico está cubierto de polvo u hollín.	El frigorífico se encuentra cerca de un fuego, por ejemplo, una chimenea o similar.	Asegúrese de que el frigorífico no se encuentre cerca de un fuego, por ejemplo, una chimenea o similar.

## Kenmore Connect™ (En algunos modelos)

Si experimenta algún problema en el refrigerador, puede transmitir datos a través de su teléfono al equipo Kenmore Connect™. Esto le da la posibilidad de hablar directamente con nuestros especialistas cualificados. El especialista graba los datos transmitidos por su máquina y los utiliza para analizar el problema, suministrando un diagnóstico rápido y efectivo.

Si experimenta problemas con su refrigerador, llame en EE.UU. 1-844-553-6667 y llame en Canadá 1-800-469-4663. Utilice la función Kenmore Connect™ solo cuando así se lo indique el agente del equipo Kenmore Connect™. Los sonidos de transmisión que oír son normales y suenan como un fax.

Kenmore Connect™ no se puede activar si su refrigerador no está conectado a la alimentación eléctrica.

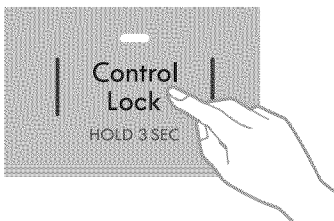
Si su refrigerador no se enciende, la localización y resolución de problemas debe hacerse sin utilizar Kenmore Connect™.

## Uso de Kenmore Connect™

En primer lugar, llame en 1-844-553-6667(EE.UU.). o 1-800-469-4663(Canadá). Si el número de teléfono que está usando ya está registrado y asociado con su refrigerador, podrá contactar rápidamente con un agente del equipo Kenmore Connect™.

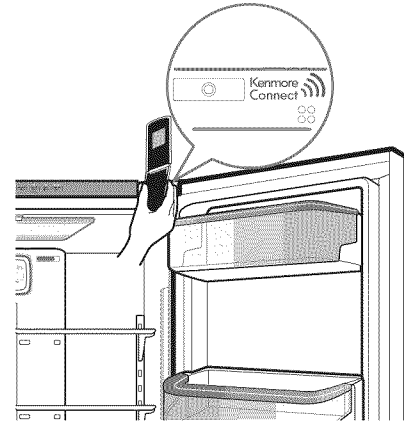
Utilice la función Kenmore Connect™ solo cuando así se lo indique el agente del equipo Kenmore Connect™.

1. Bloquee la pantalla. Para bloquear la pantalla, mantenga pulsado el botón de bloqueo Control Lock durante tres segundos (Si la pantalla está bloqueada, reactivela)

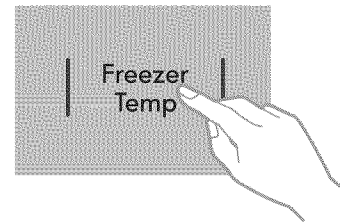


2. Abra la puerta derecha del refrigerador.

3. Sujete el auricular del teléfono delante del altavoz situado sobre la bisagra derecha de la puerta del refrigerador, cuando así se lo indique el centro de atención.



4. Mantenga pulsado el botón de temperatura del congelador Freezer Temp durante tres segundos con el teléfono junto al altavoz.



5. Tras oír tres pitidos, suelte el botón de temperatura del congelador Freezer Temp.
6. Mantenga el teléfono en posición hasta que finalice el tono de transmisión. La pantalla mostrará el tiempo transcurrido. Al finalizar la cuenta atrás y detenerse los tonos, reanude su conversación con el especialista, quien estará entonces en medida de asistirle utilizando la información transmitida para su análisis.

### NOTA:

- Para lograr los mejores resultados, no mueva el teléfono mientras se transmiten los tonos.
- Si el agente del servicio telefónico de atención al cliente no puede grabar los datos con precisión, se le pedirá volver a intentarlo.

# TABLE DES MATIÈRES

<b>Garantie</b> .....	93	<b>► Compartiment congélateur</b>	
<b>Contrats de protection</b> .....	94	Bac à glace supplémentaire.....	117
<b>Consignes de sécurité importantes</b> .....	95-97	Durabase.....	118
<b>Conditions électriques et de mise à la masse</b> .....	97	Diviseur du Durabase .....	118
<b>Pièces et fonctionnalités</b> .....	98	Tiroir coulissant.....	118
<b>Installation du réfrigérateur</b> .....	99-106	<b>Filtre à eau</b> .....	119-122
Déballage du réfrigérateur .....	99	<b>Entretien et nettoyage</b> .....	123-124
Installation.....	100	Conseils de nettoyage généraux .....	123
Retrait/remise en place des poignées et des portes du congélateur.....	101-105	Exterieur .....	123
Mise à niveau et alignement des portes ..	106	Parois intérieures .....	123
<b>Utilisation du réfrigérateur</b> .....	107-118	Contre-porte et joints .....	123
Réglage des contrôles.....	107-109	Pièces en plastique .....	123
Bac à glace dans la porte.....	110	Serpentins réfrigérants .....	123
Machine à glaçons automatique.....	111-112	Remplacement d'une ampoule d'éclairage.....	124
Guide de stockage des aliments .....	113	Coupures de courant .....	124
<b>► Section réfrigérateur</b>		Lorsque vous partez en vacances.....	124
Distributeur d'eau glacée .....	114	Lorsque vous déménagez.....	124
Étagères du réfrigérateur .....	115	<b>Connexion du tuyau d'eau</b> .....	125-127
Bac à légumes à humidité contrôlée .....	116	<b>Guide de dépannage</b> .....	128-135
Tiroir garde-manger à température contrôlée.....	116	<b>Kenmore Connect™</b> .....	136
Bac de porte .....	116	<b>Service</b> .....	Plat verso
Filtre d'air.....	117		



## GARANTIE DU RÉFRIGÉRATEUR

### GARANTIE LIMITÉE KENMORE PRO

AVEC UNE PREUVE D'ACHAT, la couverture de garantie suivante s'applique lorsque cet appareil est correctement installé, utilisé et entretenu conformément à toutes les instructions fournies.

PENDANT UN AN à compter de la date d'achat, cet appareil est garanti contre les défauts de fabrication ou de main-d'œuvre. Un appareil défectueux bénéficiera d'une réparation ou d'un remplacement gratuit au choix du vendeur. Cette couverture de garantie ne s'applique que pendant 90 jours à compter de la date d'achat aux États-Unis et est nulle au Canada si l'appareil est utilisé à une autre fin qu'un usage privé domestique.

PENDANT CINQ ANS à compter de la date d'achat, le système scellé de réfrigérant de cet appareil est garanti contre les défauts de fabrication ou de main-d'œuvre. Si une pièce du système se révèle défectueuse au cours de la première année, une nouvelle pièce sera fournie et installée sans frais. Si une pièce du système se révèle défectueuse après la première année, une nouvelle pièce sera fournie, mais l'installation sera facturée. Les frais de main-d'œuvre liés à l'installation des pièces sont à votre charge après la première année suivant la date d'achat. Cette couverture de garantie ne s'applique que pendant un an à compter de la date d'achat aux États-Unis et est nulle au Canada si l'appareil est utilisé à une autre fin qu'un usage privé domestique.

PENDANT DIX ANS à compter de la date d'achat, le compresseur linéaire de cet appareil est garanti contre les défauts de fabrication ou de main-d'œuvre. Si le compresseur se révèle défectueux au cours de la première année, un nouveau compresseur sera fourni et installé sans frais. Si le compresseur se révèle défectueux après la première année, un nouveau compresseur sera fourni, mais l'installation sera facturée. Les frais de main-d'œuvre liés à l'installation des pièces sont à votre charge après la première année suivant la date d'achat. Cette couverture de garantie ne s'applique que pendant deux ans à compter de la date d'achat aux États-Unis et est nulle au Canada si l'appareil est utilisé à une autre fin qu'un usage privé domestique.

Pour connaître les détails sur la couverture de la garantie afin d'obtenir une réparation ou un remplacement gratuit, rendez-vous sur la page [www.kenmore.com/warranty](http://www.kenmore.com/warranty).

**Cette garantie couvre UNIQUEMENT les défauts de fabrication et de main-d'œuvre et ne COUVRE PAS les éléments suivants :**

1. Les articles consommables qui peuvent s'user avec une utilisation normale, notamment mais sans s'y limiter, les filtres, courroies, sacs ou ampoules à visser.
2. L'intervention d'un technicien pour nettoyer ou entretenir cet appareil ou pour montrer à l'utilisateur l'installation, le fonctionnement et l'entretien appropriés de l'appareil.
3. Les demandes pour corriger l'installation si elle n'a pas été effectuée par des agents agréés de Sears ou pour réparer des problèmes liés aux fusibles, disjoncteurs, câblage, plomberie ou système d'alimentation en gaz résultant d'une telle installation non conforme.
4. Les dommages ou défaillances de cet appareil résultant d'une installation qui n'a pas été effectuée par des agents agréés de Sears, y compris une installation non conforme aux normes sur l'électricité, le gaz ou la plomberie.
5. Les dommages ou défaillances de cet appareil, y compris la décoloration ou la rouille de surface, si l'appareil n'est pas correctement utilisé et entretenu conformément à toutes les instructions fournies.
6. Les dommages ou défaillances de cet appareil, y compris la décoloration ou la rouille de surface, résultant d'un accident, altération, abus, utilisation inappropriée ou utilisation à d'autres fins que celle prévue.
7. Les dommages ou défaillances de cet appareil, y compris la décoloration ou la rouille de surface, causés par l'utilisation de détergents, produits nettoyants, produits chimiques ou ustensiles autres que ceux recommandés dans toutes les instructions fournies.
8. Les dommages ou défaillances de pièces ou systèmes résultant de modifications non autorisées apportées à cet appareil.
9. L'entretien de l'appareil si la plaque d'identification du modèle et du numéro de série est manquante, altérée ou ne permet pas de déterminer le logo de certification approprié.

#### Déni de garanties implicites ; limitation des recours

Le recours unique et exclusif du client couvert par cette garantie limitée sera la réparation ou le remplacement de l'appareil comme stipulé par les présentes. Les garanties implicites, notamment de qualité marchande ou d'adéquation à des fins particulières, sont limitées à un an sur l'appareil, cinq ans sur le système scellé et dix ans sur le compresseur linéaire, ou bien à la période la plus courte permise par la loi. Le vendeur ne pourra pas être tenu responsable des dommages accessoires ou immatériels. Certains États et provinces n'autorisent pas l'exclusion ou la limitation des dommages accessoires ou immatériels, ou la limitation de la durée des garanties implicites de qualité marchande ou d'adéquation à des fins particulières ; par conséquent, il est possible que ces limitations ou exclusions ne s'appliquent pas à vous.

Cette garantie s'applique uniquement à une utilisation de cet appareil aux États-Unis ou au Canada\*.

Cette garantie vous donne des droits juridiques spécifiques, mais vous pouvez également avoir d'autres droits variant d'un État à l'autre.

\* Le service de réparation à domicile n'est pas disponible partout au Canada et la présente garantie ne couvre pas les frais de transport ou de déplacement de l'utilisateur ou du réparateur si cet appareil se trouve dans un endroit reculé (tel que défini par Sears Canada Inc.) où aucun réparateur agréé n'est disponible.

Sears Brands Management Corporation, Hoffman Estates, IL 60179  
Sears Canada Inc., Toronto, Ontario, M5B 2C3, Canada

# CONTRATS DE PROTECTION

## Contrats de protection étendue

Nous vous remercions d'avoir choisi notre produit. Votre nouveau produit Kenmore Pro® est conçu et fabriqué pour garantir des années de fiabilité. Mais comme tous les produits, il peut nécessiter à l'occasion un entretien préventif ou une réparation. C'est pourquoi un contrat de protection étendue peut vous permettre d'économiser de l'argent et d'éviter toute aggravation.

Le contrat de protection étendue contribue également à prolonger la durée de vie de votre nouveau produit. Le contrat\* inclut notamment :

- **Les pièces et la main-d'œuvre** requis pour garantir le bon fonctionnement des produits **dans le cadre d'une utilisation normale**, et non simplement les défauts. Notre couverture **va bien au-delà de la garantie du produit**. Aucune défaillance fonctionnelle n'est exclue de cette couverture— **protection réelle**.
- **Services d'experts** par plus de **10 000 techniciens d'entretien agréés Sears**, ce qui signifie que vous pouvez être certain qu'une personne qualifiée interviendra sur votre produit.
- **Appels d'intervention illimités et service à l'échelle du pays**, aussi souvent que vous le souhaitez, où que vous vous trouviez.
- **Garantie « anti-citron »** – remplacement du produit couvert si quatre défaillances se produisent en moins de douze mois.
- **Remplacement du produit** si le produit couvert ne peut pas être réparé.
- **Contrôle de maintenance préventive annuel** à votre demande, sans frais supplémentaires.
- **Aide rapide au téléphone** – nous l'appelons **Résolution rapide** – assistance téléphonique d'un agent Sears pour tous les produits. Ce sera votre « manuel de l'utilisateur parlant ».

- **Protection contre les surtensions** contre les dommages électriques dus à des fluctuations de tension.
- **Protection contre les pertes de nourriture de 250 \$** annuellement pour toute détérioration de nourriture résultant d'une panne mécanique d'un réfrigérateur ou congélateur couvert.
- **Remboursement de location** si la réparation du produit couvert est plus longue que promise.
- **25 % de remise** sur le prix normal d'un service de réparation non couvert et des pièces installées associées.

Une fois le contrat acheté, un simple appel téléphonique suffit pour programmer une intervention. Vous pouvez appeler à toute heure du jour et de la nuit, ou programmer un rendez-vous d'entretien en ligne.

Le contrat de protection étendue est un achat sans risque. Si vous l'annulez pour une raison quelconque au cours de la période de garantie du produit, nous effectuerons un remboursement complet ou un remboursement au prorata à tout moment après l'expiration de la période de garantie. Achetez dès aujourd'hui votre contrat de protection étendue!

**Certaines restrictions et exclusions s'appliquent.**

**Pour les prix et des informations supplémentaires aux États-Unis composez le 1-800-827-6655.**

**\* La couverture au Canada varie sur certains articles. Pour plus de détails, appelez Sears Canada au 1-800-361-6665.**

### Service d'installation Sears

Pour une installation professionnelle Sears d'appareils électroménagers, ouvertures de porte de garage, chauffe-eau, et autres articles domestiques majeurs, au aux **État-Unis, composez le 1-844-553-6667. and au Canada, composez le 1-800-469-4663.**

## ENREGISTREMENT DU PRODUIT

Dans l'espace ci-dessous, notez la date d'achat, le modèle et le numéro de série du produit. Le modèle et le numéro de série sont indiqués sur une étiquette d'identification située à l'intérieur du compartiment réfrigérateur. Ayez ces informations sous la main lorsque vous contactez Sears au sujet de votre produit.

Numéro de modèle \_\_\_\_\_

Date d'achat \_\_\_\_\_

Numéro de série. \_\_\_\_\_

Conservez ces instructions et agrafez votre preuve d'achat pour une référence ultérieure.

# CONSIGNES DE SÉCURITÉ IMPORTANTES

## PRÉCAUTIONS DE SÉCURITÉ DE BASE

Ce guide contient des consignes de sécurité importantes. **Lisez et observez** toujours toutes les consignes de sécurité.



Voici le symbole d'alerte de sécurité. Il signale les messages de sécurité qui vous informent des dangers de mort ou de blessures, ou des risques de dommages du produit.

Tous les messages de sécurité seront précédés du symbole d'alerte de sécurité et des mots DANGER, AVERTISSEMENT ou ATTENTION. Ces mots signifient :

**! DANGER**

Vous **serez** tué ou gravement blessé si vous ne suivez pas les instructions.

**! AVERTISSEMENT**

Vous **pouvez** être tué ou gravement blessé si vous ne suivez pas les instructions.

**! ATTENTION**

Indique une situation de danger imminent qui, si elle n'est pas évitée, **pourrait** provoquer une blessure mineure ou modérée, ou endommager le produit.

Tous les messages de sécurité identifient le danger, indiquent comment réduire les risques de blessures, et précisent ce qui pourrait se produire si les instructions ne sont pas suivies.

## **! AVERTISSEMENT**

**Pour réduire les risques d'incendie, d'électrocution ou de blessure lors de l'utilisation du produit, les consignes de sécurité de base doivent être suivies, notamment les consignes suivantes.**

**Lisez toutes les instructions avant d'utiliser cet appareil.**

- Ne débranchez JAMAIS le réfrigérateur en tirant sur le cordon d'alimentation. Saisissez toujours fermement la fiche de branchement et tirez sur celle-ci pour la débrancher de la prise.
- Si le cordon d'alimentation est abîmé, il doit être remplacé par le fabricant, par son service après-vente ou par une personne également qualifiée afin d'éviter tout danger. N'utilisez pas un cordon présentant des craquelures ou des dommages d'abrasion sur toute sa longueur ou au niveau de la fiche ou des connecteurs.
- Ne modifiez pas le cordon d'alimentation et ne le prolongez jamais. Une telle intervention pourrait provoquer une électrocution ou créer des risques d'incendie.
- Lorsque vous devez écarter le réfrigérateur du mur, veillez à ne pas endommager le cordon d'alimentation.

- Ne JAMAIS entreposer ni utiliser d'essence ou autres vapeurs et liquides inflammables à proximité de cet appareil ou de tout autre appareil.
- NE laissez PAS les enfants grimper sur le réfrigérateur ou se pendre aux portes ou aux étagères du réfrigérateur. Ils pourraient endommager le réfrigérateur et se blesser gravement.
- N'approchez jamais les doigts des zones de pincement; les dégagements entre les portes et les armoires sont nécessairement petits. Soyez prudent lors de la fermeture de portes lorsque des enfants se trouvent à proximité.
- Débranchez le réfrigérateur avant de le nettoyer ou d'y apporter des réparations.

**REMARQUE :** Il est fortement recommandé de confier tout entretien à un technicien qualifié.

## CONSERVEZ CES INSTRUCTIONS

## ⚠ AVERTISSEMENT

- Avant de remplacer une ampoule d'éclairage grillée ou cassée, débranchez le réfrigérateur ou coupez l'alimentation électrique au niveau du disjoncteur ou de la boîte de fusibles pour éviter tout contact avec un fil sous tension. (Une ampoule d'éclairage grillée peut éclater lors de son remplacement exposant alors le filament.)

**REMARQUE :** Certains modèles sont dotés d'un éclairage intérieur LED dont l'entretien doit être confié à un technicien qualifié.

**AVERTISSEMENT :** La mise du contrôle sur ARRÊT ne coupe pas l'alimentation du circuit d'éclairage.

- Une fois l'intervention terminée, reconnectez le réfrigérateur à la source électrique et remettez les contrôles (thermostat, contrôle de réfrigérateur ou contrôle de congélateur, selon le modèle) au réglage souhaité.
- Ce réfrigérateur doit être installé conformément aux Instructions à l'intention de l'installateur apposées à l'avant du réfrigérateur.
- Une fois le réfrigérateur mis en marche, ne touchez pas les surfaces froides du compartiment de congélation lorsque vous avez les mains humides ou trempées. La peau pourrait adhérer aux surfaces extrêmement froides.

- NE TOUCHEZ PAS le mécanisme de la machine à glaçons automatique pendant que le réfrigérateur est branché.
- Ne recongelez PAS des aliments ayant complètement décongelé. Le département d'agriculture des États-Unis dans sa publication Home and Garden Bulletin No. 69 précise :

...Vous pouvez recongeler en toute sécurité des aliments ayant décongelé s'ils contiennent toujours des cristaux de glace ou s'ils sont toujours froids, sous 4°C.

...Les viandes hachées, les volailles ou le poisson présentant des odeurs ou étant décolorés ne doivent être ni recongelés ni consommés. La crème glacée décongelée doit être jetée. Si l'odeur ou la couleur d'un aliment semble suspecte, jetez l'aliment. La consommation de l'aliment pourrait être dangereuse.

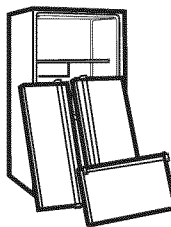
Même une décongélation et une recongélation partielles réduit la qualité sanitaire des aliments, particulièrement pour les fruits, les légumes et les aliments préparés. La qualité sanitaire des viandes rouges est moins exposée que celle des autres aliments. Utilisez les aliments recongelés le plus tôt possible afin de préserver leur qualité au maximum.

**⚠ AVERTISSEMENT :** Ce produit contient des produits chimiques pouvant, d'après l'État de Californie, causer le cancer ou des malformations congénitales ou autres troubles de la reproduction. *Lavez-vous les mains après usage.*

## CONSERVEZ CES INSTRUCTIONS

## ⚠ DANGER : RISQUE DE PIÉGEAGE DES ENFANTS

Les réfrigérateurs abandonnés sont dangereux, même s'ils sont laissés sans surveillance seulement quelques jours. Si vous souhaitez vous débarrasser de votre ancien réfrigérateur, veuillez suivre les instructions à droite pour éviter les accidents (piégeage et suffocation des enfants).



### AVANT DE JETER VOTRE ANCIEN RÉFRIGÉRATEUR OU CONGÉLATEUR :

- Retirez les portes.
- Laissez les étagères en place afin que les enfants ne puissent pas grimper facilement à l'intérieur.

## ÉLIMINATION DES CFC

Votre ancien réfrigérateur peut comporter un système de refroidissement qui utilisait des CFC (chlorofluorocarbures). Les scientifiques estiment que les CFC endommagent l'ozone stratosphérique.

Si vous mettez au rebut votre ancien réfrigérateur, assurez-vous que le réfrigérant CFC est retiré en vue d'une élimination appropriée par un technicien qualifié. Si vous libérez intentionnellement ce réfrigérant CFC, vous pourriez écoper d'une amende et d'une peine d'emprisonnement conformément aux dispositions de la législation environnementale.

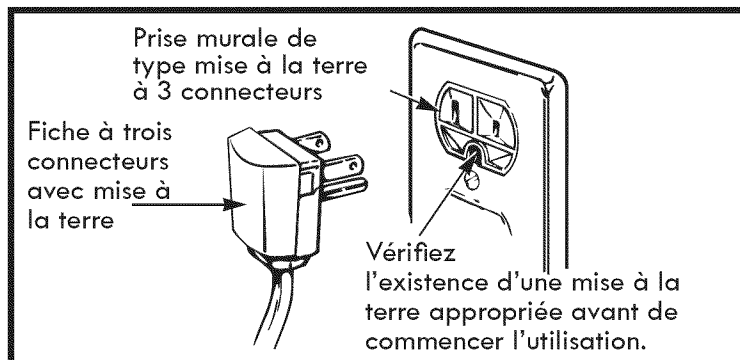
## CONDITIONS ÉLECTRIQUES ET DE MISE À LA MASSE

### IMPORTANT : Veuillez lire attentivement. POUR EFFECTUER LES BRANCHEMENTS ÉLECTRIQUES

#### **⚠ AVERTISSEMENT**

##### Risque d'électrocution

**POUR GARANTIR LA SÉCURITÉ**, cet appareil doit être correctement mis à la terre. Faites vérifier la prise murale et le circuit par un électricien qualifié pour vous assurer que la prise est correctement mise à la terre.



### MÉTHODE DE MISE À LA TERRE RECOMMANDÉE

Le réfrigérateur doit toujours être branché sur sa propre prise secteur correctement mise à la terre avec des valeurs nominales de 115 volts, 60 Hz, protégée par un fusible de 15 ou 20 ampères. Cela garantit les meilleures performances et évite également une surcharge des circuits domestiques qui pourrait créer un risque d'incendie par surchauffe des fils. Il est recommandé d'utiliser un circuit séparé pour alimenter cet appareil.

Utilisez une prise ne pouvant pas être mise hors tension par un interrupteur. N'utilisez pas de rallonge.

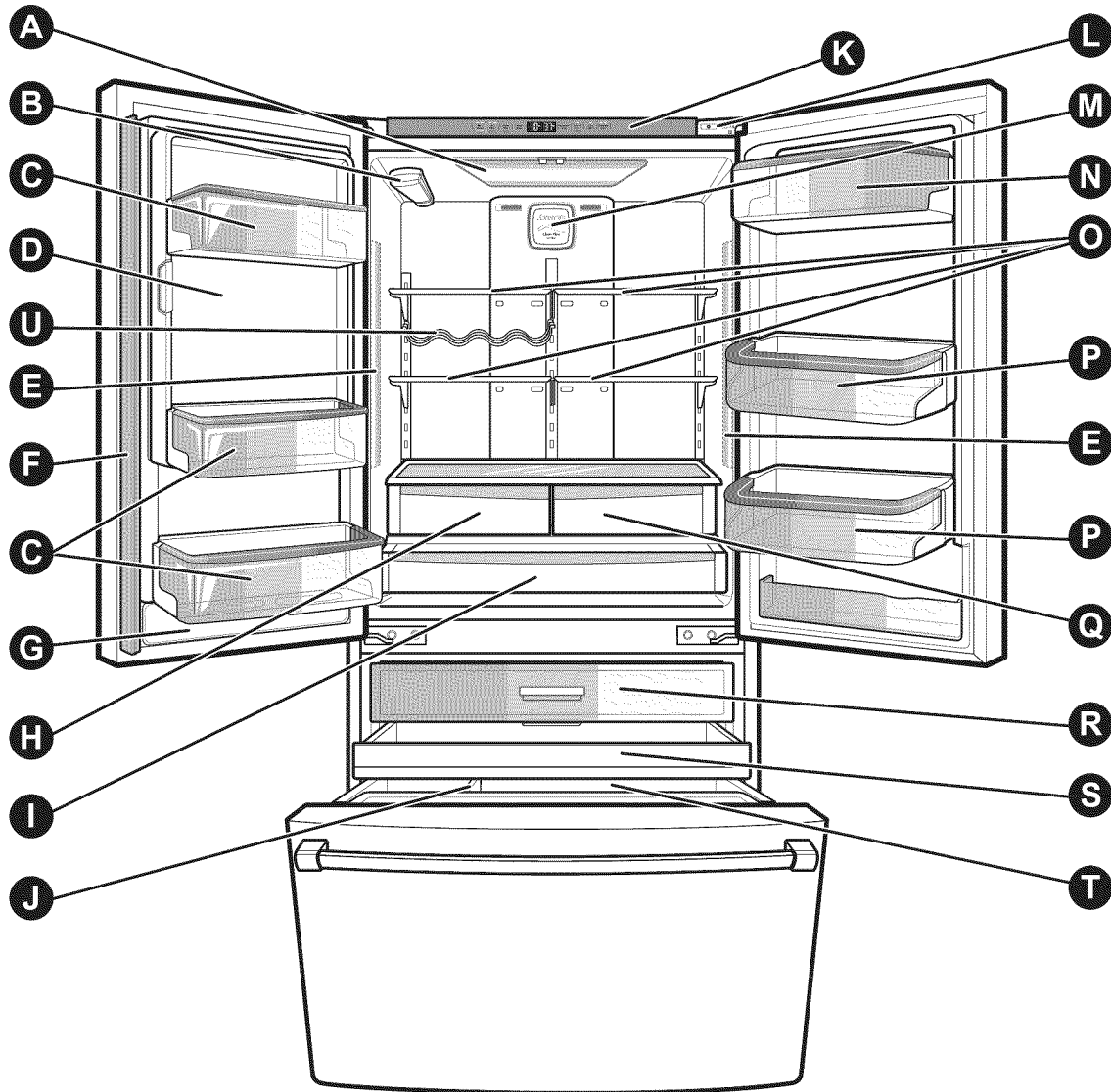
En présence d'une prise à deux connecteurs, vous avez la responsabilité et l'obligation de la remplacer par une prise à 3 connecteurs correctement mise à la terre.

### UTILISATION DE RALLONGES

En raison de risques en matière de sécurité dans certaines conditions, l'utilisation d'une rallonge n'est pas recommandée. Cependant, si vous choisissez quand même d'utiliser une rallonge, il est absolument nécessaire d'utiliser une rallonge UL (États-Unis) à 3 conducteurs avec broche de mise à la terre, dont les caractéristiques nominales sont de 15 ampères (minimum) et 120 volts.

L'utilisation d'une rallonge augmente le dégagement requis à l'arrière du réfrigérateur.

# PIÈCES ET FONCTIONNALITÉS

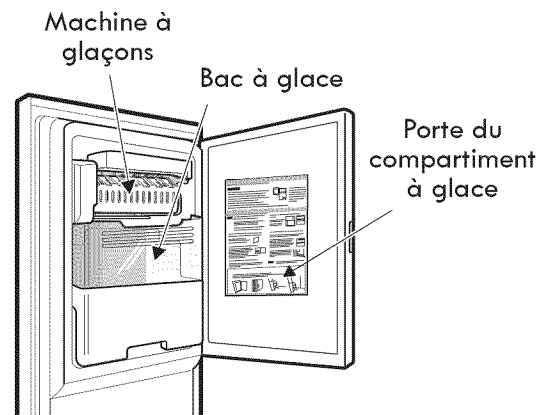


Utilisez cette page pour vous familiariser avec les pièces et les fonctionnalités du réfrigérateur. Des renvois aux pages sont inclus pour simplifier la consultation.

**REMARQUE :** Ce guide couvre plusieurs modèles. Le réfrigérateur que vous avez acheté peut comporter tous les éléments répertoriés ci-dessous ou seulement une partie. Les emplacements des divers éléments indiqués ci-dessus peuvent ne pas correspondre à votre modèle.

- A** Éclairage du réfrigérateur
- B** Filtre à eau (intérieur)
- C** Bacs de porte fixes
- D** Emplacement à glace (Machine à glaçons et bac à glaçons)
- E** Éclairage du réfrigérateur
- F** Meneau articulé
- G** Couvercle du réservoir d'eau
- H** Bac à légumes à humidité contrôlée
- I** Tiroir garde-manger à température contrôlée
- J** Diviseur de durabase

- K** Panneau de commande
- L** Kenmore Connect™
- M** Filtre d'air
- N** Bac à produits laitiers réglable
- O** Étagères du réfrigérateur
- P** Bacs de porte ajustables
- Q** Air tiroir serrés
- R** Tiroir coulissant
- S** Tiroir coulissant
- T** Durabase
- U** Casier à vin



# INSTALLATION DU RÉFRIGÉRATEUR

## **AVERTISSEMENT**

### **Risques liés au poids excessif :**

Faites appel à au moins deux personnes pour déplacer et installer le réfrigérateur. Sinon, il y a risque de blessures au dos ou d'autres blessures.

## **AVERTISSEMENT**

### **Risques liés au poids excessif :**

Le réfrigérateur est lourd. Lors du déplacement du réfrigérateur à des fins de nettoyage ou d'entretien, veillez à protéger le sol. Tirez toujours le réfrigérateur en le maintenant bien droit à la verticale lorsque vous le déplacez. Évitez de déplacer le réfrigérateur par basculements successifs, vous risquez d'endommager le sol.

## **DÉBALLAGE DU RÉFRIGÉRATEUR**

Retirez les bandes adhésives et les étiquettes temporaires du réfrigérateur avant de l'utiliser. Ne retirez pas les étiquettes d'avertissement, l'étiquette de numéro de modèle et de numéro de série, ou la fiche signalétique qui se trouve sous la partie avant du réfrigérateur derrière la grille de base.

Pour retirer une bande adhésive ou de la colle résiduelle, frottez la zone concernée avec votre pouce. Les résidus de bande adhésive ou de colle peuvent être facilement retirés en les frottant avec vos doigts et une petite quantité de liquide vaisselle. Essuyez avec de l'eau chaude et séchez.

N'utilisez pas d'instruments pointus, d'alcool à friction, de liquides inflammables ou de nettoyants abrasifs pour retirer des résidus de bande adhésive ou de colle. Ces produits peuvent endommager la surface du réfrigérateur.

Les étagères du réfrigérateur sont installées en position d'expédition. Veuillez réinstaller les étagères en fonction de vos besoins de stockage.

## **AVERTISSEMENT**

### **Risque d'explosion :**

Maintenir les vapeurs et produits inflammables, comme l'essence, loin du réfrigérateur. Sinon, vous risquez de provoquer un incendie, une explosion ou des blessures mortelles.

## AVANT L'UTILISATION

1. Nettoyez complètement le réfrigérateur et essuyez la poussière accumulée pendant l'expédition.
2. Installez les accessoires tels que le bac à glaçons, les tiroirs, les étagères, etc., à leurs positions appropriées. Ces éléments sont emballés ensemble pour éviter d'éventuels dommages pendant l'expédition.
3. Laissez le réfrigérateur fonctionner pendant au moins deux à trois heures avant d'y placer des aliments. Contrôlez la circulation d'air froid dans le compartiment du congélateur pour vérifier un refroidissement approprié. Le réfrigérateur est maintenant prêt à être utilisé.

## INSTALLATION

Le réfrigérateur doit toujours être branché sur sa propre prise secteur correctement mise à la terre avec des valeurs nominales de 115 volts, 60 Hz, protégée par un fusible de 15 ou 20 ampères. Cela garantit les meilleures performances et évite également une surcharge des circuits domestiques qui pourrait créer un risque d'incendie par surchauffe des fils. Il est recommandé d'utiliser un circuit séparé pour alimenter cet appareil.

### **! AVERTISSEMENT**

#### **Risque d'électrocution :**

Pour réduire le risque d'électrocution, n'installez pas le réfrigérateur dans une zone humide ou trempée.

## INSTALLATION (suite)

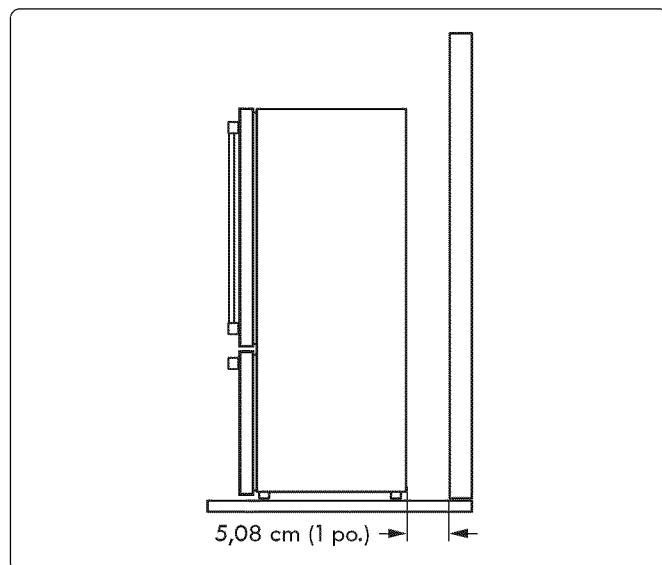
1. Pour éviter bruit et vibration, l'appareil doit être mis à niveau et installé sur un plancher solidement construit. Si nécessaire, ajustez les cales de réglage pour compenser tout défaut de planéité du sol. L'avant doit être légèrement plus haut que l'arrière pour favoriser la fermeture de la porte. Les cales de réglage peuvent être tournées facilement en faisant basculer légèrement l'armoire. Tournez les cales de réglage dans le sens des aiguilles d'une montre pour relever l'unité ou dans le sens inverse des aiguilles d'une montre pour l'abaisser. (Voir **MISE À NIVEAU ET ALIGNEMENT DES PORTES.**)

**REMARQUE :** L'installation sur de la moquette, des surfaces carrelées molles, sur une plateforme ou sur une structure mal supportée n'est pas recommandée.

2. Installez cet appareil dans une zone où la température est comprise entre 55°F (13°C) et 110°F (43°C). Si la température autour de l'appareil est trop basse ou trop élevée, la capacité de refroidissement peut être compromise.
3. Choisissez un emplacement où un approvisionnement d'eau peut être facilement raccordé pour la machine à glaçons automatique.

**REMARQUE :** La pression d'eau doit être comprise entre 1,38 et 8,27 bars. Si le réfrigérateur est installé à un endroit où la pression d'eau est faible (inférieure à 1,38 bar, soit 20 psi), vous pouvez installer une pompe d'appoint pour compenser cette pression faible.

4. Une distance trop courte des éléments adjacents peut diminuer la capacité de congélation et peut augmenter les coûts de la consommation d'électricité. Laisser au moins une distance de 24 pouces (61 cm.) devant le réfrigérateur pour pouvoir ouvrir les portes, et au moins 2 pouces (5,08 cm.) entre la face arrière du réfrigérateur et le mur.



**REMARQUE :** Le retrait des portes est toujours recommandé lorsqu'il faut faire passer le réfrigérateur par une ouverture étroite. S'il faut retirer les poignées, procédez comme suit.

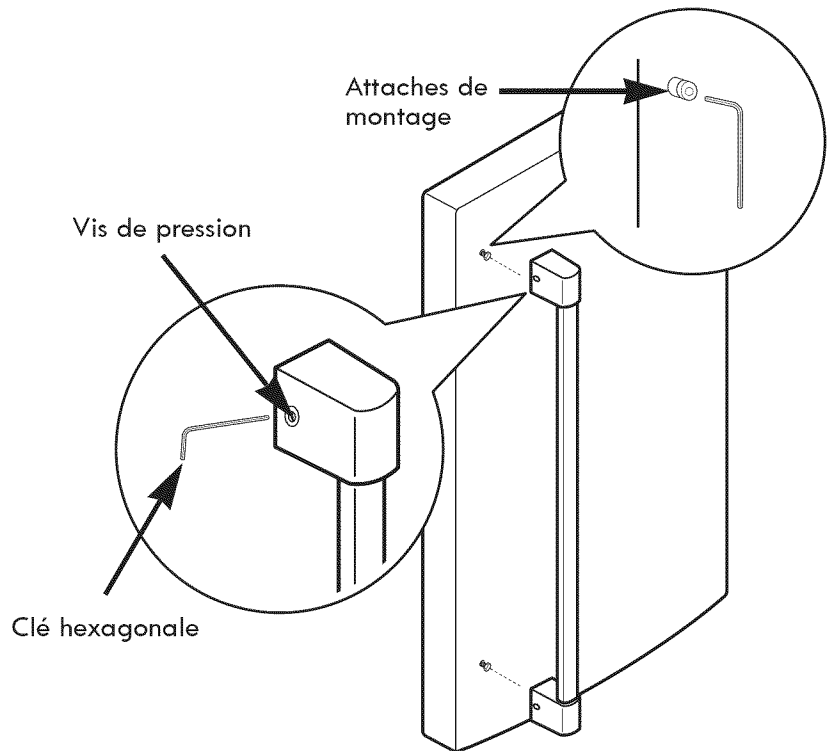
## COMMENT RETIRER LA POIGNÉE DE LA PORTE DU RÉFRIGÉRATEUR

**REMARQUE :** L'aspect de la poignée peut être différent de celui des illustrations sur cette page.

### Retrait de la poignée du réfrigérateur

Desserrez les vis pression avec une clé hexagonale de  $\frac{3}{32}$  po. (2,5 mm) et retirez la poignée.

**REMARQUE :** Si les attaches de montage de la poignée doivent être serrées ou retirées, utilisez une clé hexagonale de  $\frac{1}{4}$  po. (6,4 mm).



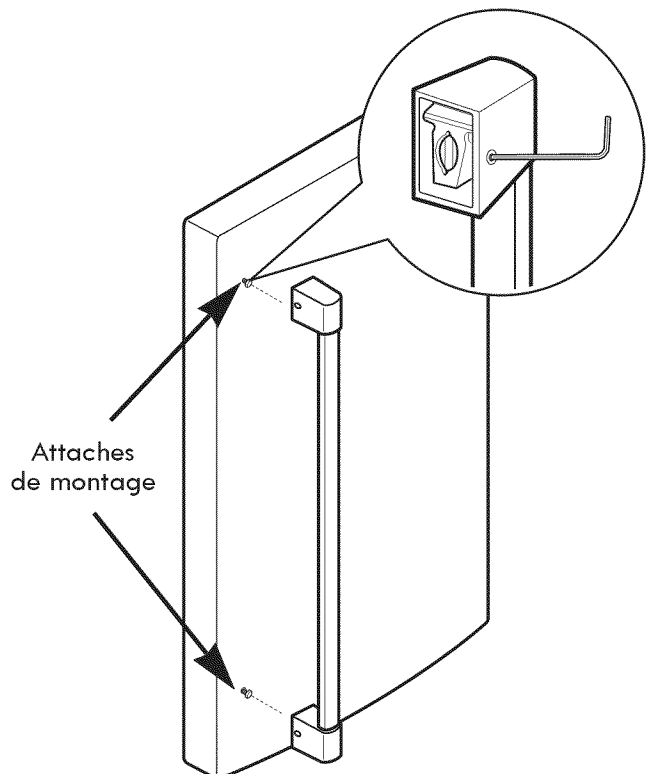
## COMMENT REMETTRE EN PLACE LA POIGNÉE DE LA PORTE DU RÉFRIGÉRATEUR

**REMARQUE :** L'aspect de la poignée peut être différent de celui des illustrations sur cette page.

### Remise en place de la poignée de porte du réfrigérateur

Placez la poignée sur la porte en ajustant l'empreinte de la poignée sur les attaches de montage et en serrant les vis de pression avec une clé hexagonale de  $\frac{3}{32}$  po. (2,5 cm).

**REMARQUE :** Si les attaches de montage de la poignée doivent être serrées ou retirées, utilisez une clé hexagonale de  $\frac{1}{4}$  po. (6,4 mm).



**REMARQUE :** Le retrait des portes est toujours recommandé lorsqu'il faut faire passer le réfrigérateur par une ouverture étroite. S'il faut retirer les poignées, procédez comme suit.

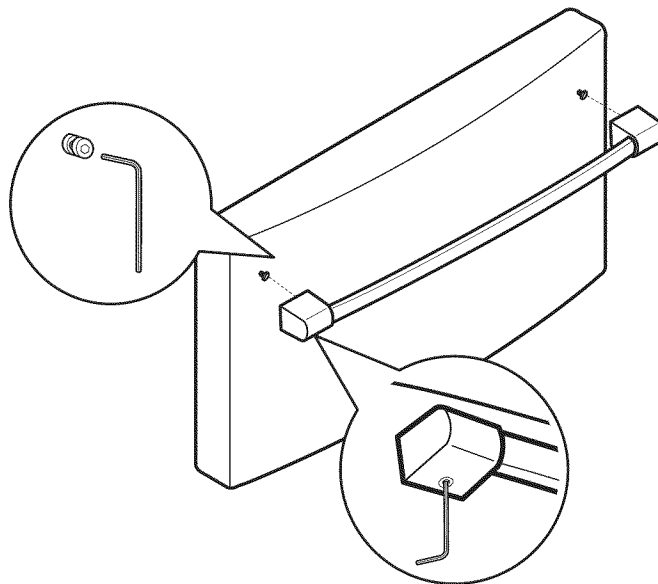
### COMMENT RETIRER LA POIGNÉE DE LA PORTE DU CONGÉLATEUR

**REMARQUE :** L'aspect de la poignée peut être différent de celui des illustrations sur cette page.

#### Retrait de la porte du tiroir du congélateur

Desserrez les vis pression situées du côté inférieur de la poignée avec une clé hexagonale de  $\frac{1}{8}$  po. (3,1 mm) et retirez la poignée.

**REMARQUE :** Si les attaches de montage de la poignée doivent être serrées ou retirées, utilisez une clé hexagonale de  $\frac{1}{4}$  po. (6,4 mm).



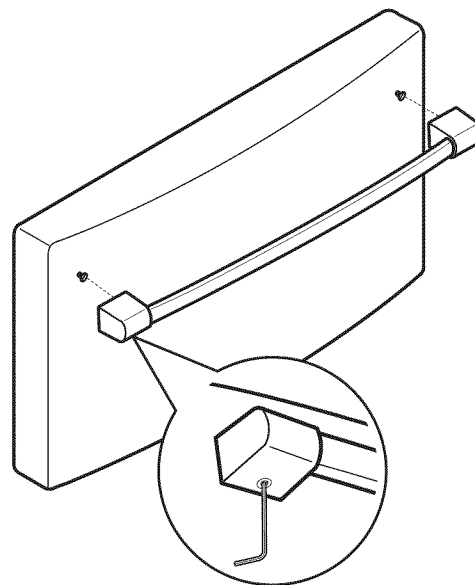
### COMMENT REMETTRE EN PLACE LA POIGNÉE DE LA PORTE DU CONGÉLATEUR

**REMARQUE :** L'aspect de la poignée peut être différent de celui des illustrations sur cette page.

#### Remise en place de la poignée du tiroir du congélateur

Placez la poignée sur la porte en ajustant l'empreinte de la poignée sur les attaches de montage et en serrant les vis de pression avec une clé hexagonale de  $\frac{1}{8}$  po. (3,1 mm).

**REMARQUE :** Si les attaches de montage de la poignée doivent être serrées ou retirées, utilisez une clé hexagonale de  $\frac{1}{4}$  po. (6,4 mm).



## ⚠ AVERTISSEMENT

Lors de la mise en place ou du retrait des poignées

- Saisissez fermement la poignée pour qu'elle ne tombe pas et ne provoque pas de blessures.
- Empêchez la poignée de basculer vers des personnes ou des animaux.
- Alignez exactement les trous de la plaque de la poignée sur l'axe de butée de la porte, puis vissez les vis pour fixer la poignée.
- Assurez-vous qu'il n'y a pas d'interstice entre la porte et la poignée une fois cette dernière en place.

## RETRAIT ET REMISE EN PLACE DES PORTES DU RÉFRIGÉRATEUR

### ⚠ AVERTISSEMENT

#### Risques liés au poids excessif :

Faites appel à au moins deux personnes pour retirer et installer le réfrigérateur. Sinon, il y a risque de blessures au dos ou d'autres blessures.

### ⚠ AVERTISSEMENT

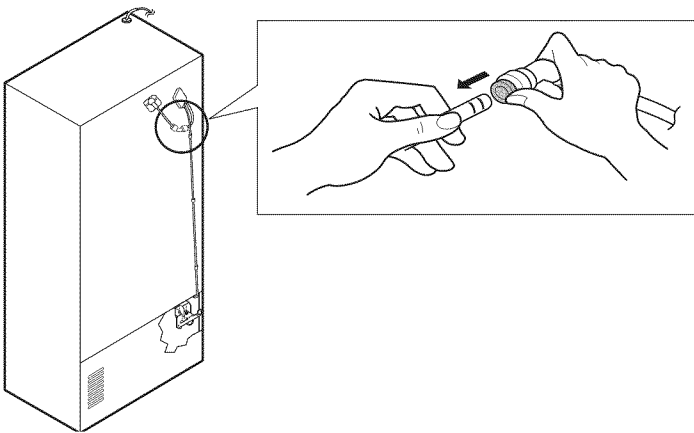
#### Risque d'électrocution

- Déconnectez l'alimentation électrique du réfrigérateur avant de procéder à l'installation. Sinon, vous risquez de vous blesser ou de subir une issue fatale.
- Ne placez pas les mains, les pieds ou autres objets dans les ouvertures d'aération, la grille de base ou le bas du réfrigérateur. Vous pourriez vous blesser ou être électrocuté.

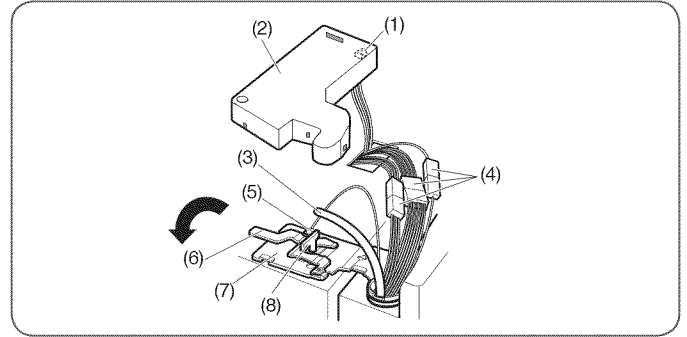
**REMARQUE :** Soyez prudent lorsque vous travaillez sur la charnière et la grille de base. Vous pourriez vous blesser.

#### Pour retirer la porte de gauche du réfrigérateur :

À l'arrière du réfrigérateur, tirez le tube d'eau hors du raccord de la pince de serrage en appuyant sur l'anneau de pincement du raccord (voir la figure ci-dessous).



**⚠ ATTENTION :** Avant de commencer, retirez des portes les aliments et les bacs.

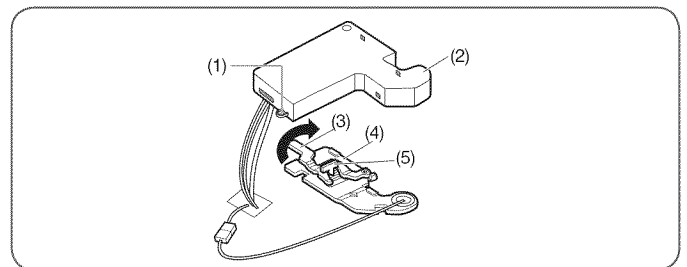


1. Ouvrez la porte. Retirez la vis du couvercle de la charnière supérieure (1).
2. Utilisez un tournevis à lame plate pour soulever vers l'arrière les crochets (non illustrés) à l'avant sous le couvercle (2). Soulevez le couvercle.
3. Retirez le couvercle. Tirez le tube pour l'extraire (3).
4. Débranchez tous les faisceaux de fils (4).
5. Retirez la vis de mise à la terre (5).
6. Faites pivoter le levier de la charnière (6) dans le sens inverse des aiguilles d'une montre. Soulevez la charnière supérieure (7) pour la libérer du levier de fermeture de la charnière (8).

**⚠ ATTENTION :** Lors du soulèvement de la charnière du levier de fermeture, veillez à ce que la porte ne tombe pas en avant.

7. Soulevez la porte de la tige d'articulation du milieu et retirez la porte.
8. Placez la porte, face intérieure vers le haut, sur une surface non griffante.

#### Pour retirer la porte droite du réfrigérateur :



1. Ouvrez la porte. Retirez la vis du couvercle de la charnière supérieure (1). Soulevez le couvercle (2).
2. Retirez le couvercle.
3. Faites pivoter le levier de la charnière (3) dans le sens des aiguilles d'une montre. Soulevez la charnière supérieure (4) pour la libérer du levier de fermeture de la charnière (5).

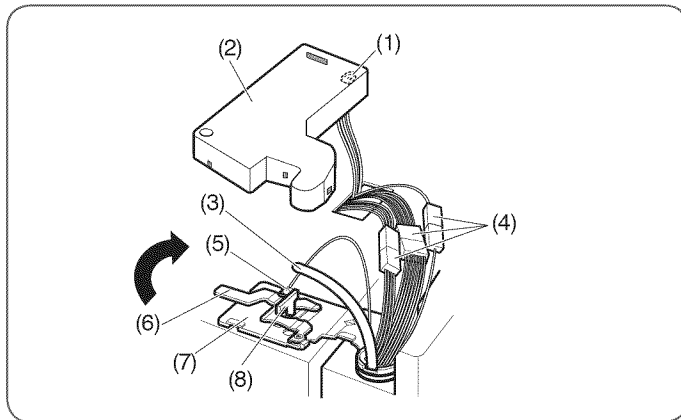
**⚠ ATTENTION :** Lors du soulèvement de la charnière du levier de fermeture, veillez à ce que la porte ne tombe pas en avant.

4. Soulevez la porte de la tige d'articulation du milieu et retirez la porte.
5. Placez la porte, face intérieure vers le haut, sur une surface non griffante.

## Réinstallation de la porte du réfrigérateur

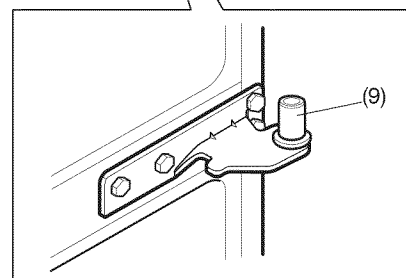
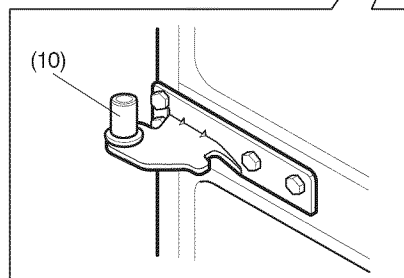
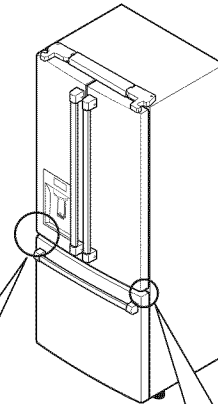
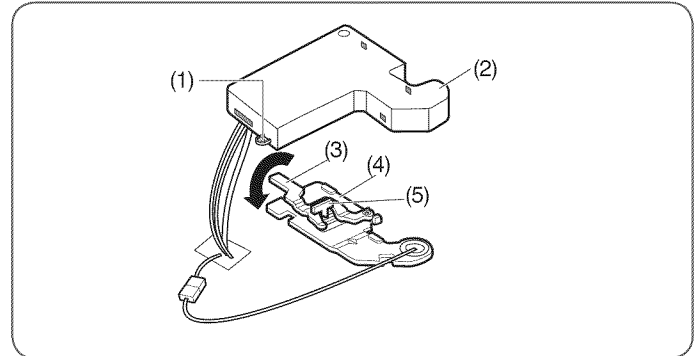
### ► Porte gauche

1. Posez la porte sur la tige d'articulation du milieu (10).
2. Placez la charnière supérieure (7) sur le levier de fermeture de la charnière (8) et en position. Faites pivoter le levier (6) dans le sens des aiguilles d'une montre pour fixer la charnière.
3. Installez la vis de mise à la terre (5) et connectez les deux faisceaux de fils (4).
4. Poussez le tuyau d'eau (3) situé en haut de la porte gauche dans le trou à côté de la charnière gauche au-dessus de l'armoire jusqu'à ce qu'il sorte par l'arrière.
5. Insérez le tuyau d'approvisionnement d'eau (3) dans le connecteur jusqu'à ce que vous ne voyiez qu'une seule graduation. Insérez complètement le tube sur  $\frac{5}{8}$  po. (15 mm).
6. Accrochez les pattes sur le côté gauche du couvercle de la charnière (1) sous le bord de la charnière supérieure (7) et positionnez le couvercle en place. Insérez et serrez la vis du couvercle (1).

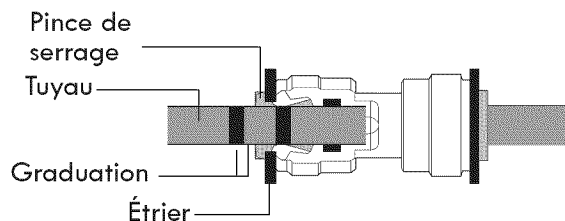


### ► Porte droite

1. Posez la porte sur la tige d'articulation du milieu (9).
2. Placez la charnière supérieure (4) sur le levier de fermeture de la charnière (5) et en position. Faites pivoter le levier (3) dans le sens inverse des aiguilles d'une montre pour fixer la charnière.
3. Accrochez les pattes sur le côté droit du couvercle de la charnière (2) sous le bord de la charnière supérieure (4) et positionnez le couvercle en place. Insérez et serrez la vis du couvercle (1).



## ⚠ ATTENTION



Après insertion, tirez le tuyau pour vérifier qu'il est bien fixé et réinsérez l'étrier.

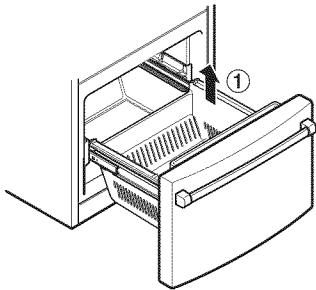
## COMMENT RETIRER LE TIROIR DU CONGÉLATEUR

**⚠ AVERTISSEMENT :** Faites appel à au moins deux personnes pour retirer et installer le tiroir du congélateur. Sinon, il y a risque de blessures au dos ou d'autres blessures.

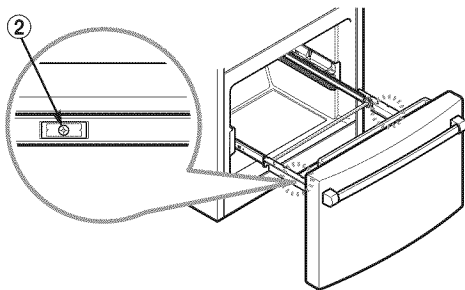
**⚠ ATTENTION :** Ne tenez pas la poignée lors du retrait ou de la remise en place du tiroir. La poignée pourrait tomber et provoquer une blessure.

**REMARQUE :** Dans les figures suivantes, le tiroir coulissant situé au-dessus du tiroir du congélateur n'apparaît pas par souci de clarté.

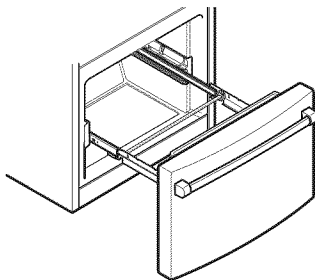
Tirez le tiroir en position d'ouverture maximale. Retirez le panier inférieur ① en soulevant le panier du système de rails.



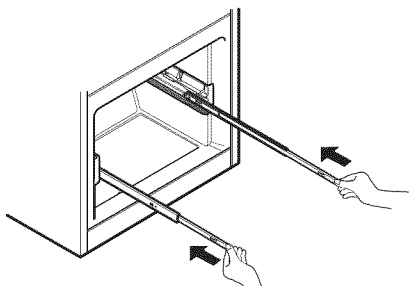
Retirez les vis ② du rail des deux côtés.



Saisissez le tiroir de chaque côté et tirez-le vers le haut pour le séparer des rails.

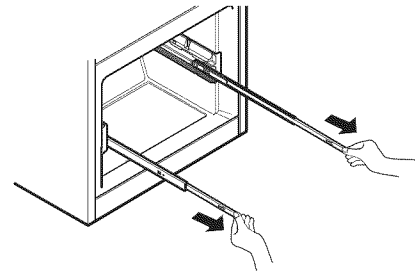


Des deux mains, tenez la barre centrale et poussez-la vers l'intérieur pour permettre aux deux rails de glisser vers l'intérieur simultanément.

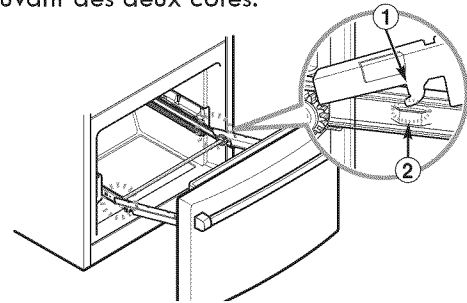


## COMMENT INSTALLER LE TIROIR DU CONGÉLATEUR

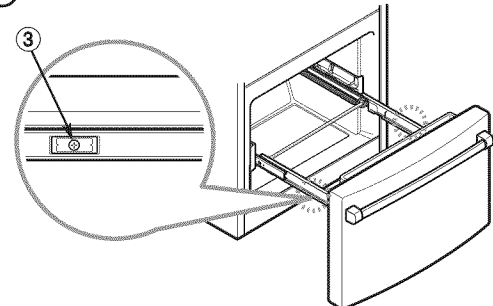
Des deux mains, saisissez la barre centrale et tirez-la vers l'extérieur jusqu'à ce que les deux rails soient entièrement sortis.



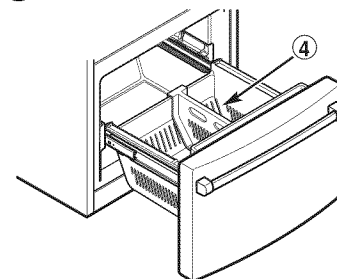
Saisissez le tiroir de chaque côté et accrochez les supports de la porte ① dans les pattes du rail ② se trouvant des deux côtés.



Abaissez la porte à sa position finale et serrez les vis ③ situées des deux côtés.



Le tiroir étant entièrement sorti, insérez le panier inférieur ④ dans le rail.



**⚠ AVERTISSEMENT :** Si le diviseur du Durabase est retiré, il y a suffisamment d'espace ouvert pour permettre à des enfants ou des animaux de se glisser à l'intérieur. Pour éviter les risques qu'un enfant ou un animal reste coincé ou suffoque accidentellement, NE LES LAISSEZ PAS toucher le tiroir du congélateur ou s'en approcher.

**⚠ AVERTISSEMENT :** NE montez PAS et n vous asseyez pas sur le tiroir du congélateur.

## MISE À NIVEAU ET ALIGNEMENT DES PORTES

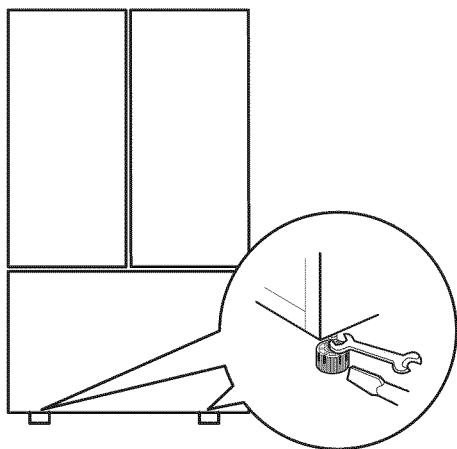
### Mise à niveau

Après l'installation, branchez le cordon d'alimentation du réfrigérateur sur une prise à 3 connecteurs mise à la terre et poussez le réfrigérateur en position finale.

Le réfrigérateur comporte deux cales de réglage à l'avant, une du côté droit, l'autre du côté gauche. Ajustez les cales de réglage pour modifier l'inclinaison avant-arrière ou côté à côté. Si le réfrigérateur semble instable, ou si vous souhaitez que les portes se ferment plus facilement, réglez l'inclinaison du réfrigérateur en utilisant les instructions ci-dessous :

**REMARQUE :** Outils requis : Clé de  $1\frac{1}{16}$  po. (18 mm) ou tournevis à lame plate.

1. Tournez la cale de réglage dans le sens inverse des aiguilles d'une montre pour soulever ce côté du réfrigérateur ou dans le sens des aiguilles d'une montre pour l'abaisser. Il faudra éventuellement plusieurs tours de cales de réglage pour régler l'inclinaison du réfrigérateur.



**REMARQUE :** Demandez à une personne de pousser vers l'arrière le haut du réfrigérateur pour retirer une partie du poids sur les cales de réglage. Cela simplifie le réglage des cales.

2. Ouvrez de nouveau les portes pour vérifier qu'elles se ferment facilement. Si les portes ne se ferment pas facilement, inclinez le réfrigérateur un peu plus vers l'arrière en tournant les deux cales de réglage dans le sens inverse des aiguilles d'une montre. Il faudra éventuellement plusieurs tours, et vous devrez effectuer le même nombre de tours pour les deux cales de réglage.

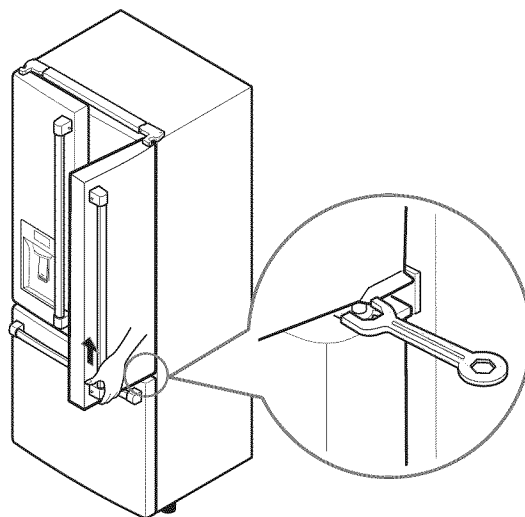
**REMARQUE :** Votre réfrigérateur est doté de deux portes. Chacune peut être ouverte ou fermée indépendamment. Vous devrez éventuellement exercer une légère pression sur les portes pour les fermer complètement.

### Alignement des portes

Les portes gauche et droite du réfrigérateur possèdent un écrou ajustable, situé sur la charnière inférieure, pour les soulever et les abaisser afin de les aligner.

Si l'espace entre vos portes n'est pas uniforme, suivez les instructions ci-dessous pour les aligner :

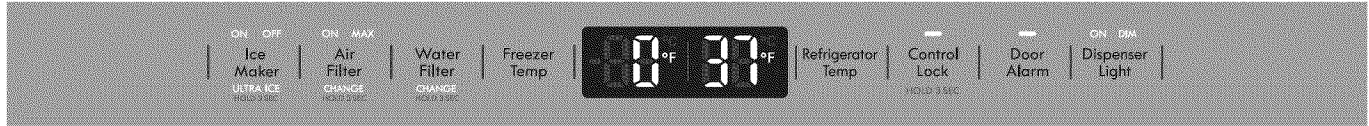
Utilisez la clé (incluse avec le Guide d'utilisation et d'entretien) pour tourner l'écrou dans la charnière de la porte afin d'en ajuster la hauteur. Tournez dans le sens des aiguilles d'une montre pour augmenter la hauteur ou dans le sens inverse des aiguilles d'une montre pour la diminuer.



# UTILISATION DU RÉFRIGÉRATEUR

## RÉGLAGE DES CONTRÔLES

### Température

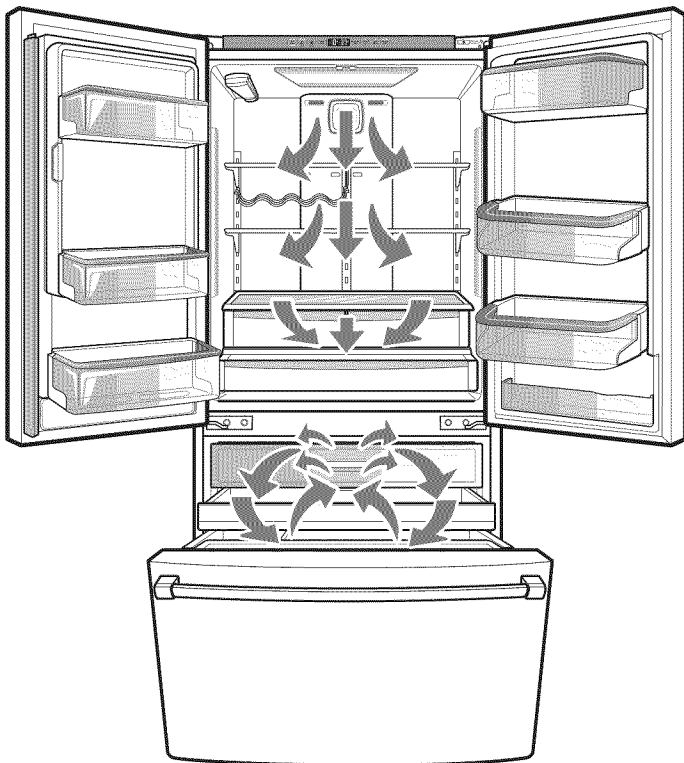


- **Le contrôle Refrigerator Temp va de 33°F à 46°F (1°C à 8°C).** Appuyez sur le bouton Refrigerator Temp pour parcourir les réglages de température disponibles un incrément à la fois.
- **Le contrôle Freezer Temp va de -6°F à 8°F (-21°C à -13°C).** Appuyez sur le bouton Freezer Temp pour parcourir les réglages de température disponibles un incrément à la fois.

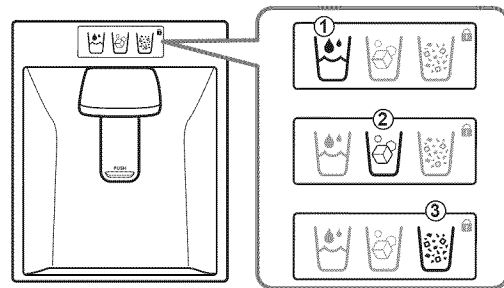
**REMARQUE :** Lors du changement des réglages de contrôle, attendez 24 heures avant d'effectuer des ajustements supplémentaires. Les contrôles sont correctement réglés lorsque la température du lait ou du jus vous convient et que la crème glacée est ferme. Si la température est trop basse ou trop élevée, changez le réglage un incrément à la fois. Attendez 24 heures que le changement se stabilise avant de procéder à un nouveau réglage.

### Circulation d'air

Veillez à ne pas obstruer les ouvertures d'aération lors du remplissage du réfrigérateur. Vous pourriez ainsi restreindre la circulation de l'air et faire monter la température du réfrigérateur ou provoquer l'accumulation d'humidité à l'intérieur. (Voir le schéma de circulation d'air ci-dessous.)



### Distributeur



Le distributeur fournit de l'eau, des glaçons ou de la glace pilée. Appuyez sur l'icône de votre choix : (1) eau, (2) glaçons, (2) glace pilée. L'icône s'allume lorsque vous appuyez dessus.

**REMARQUE :** L'affichage de contrôle est doté d'une commande tactile. Une humidité excessive sur l'affichage peut causer un dysfonctionnement. Maintenez l'affichage propre et sec.

**REMARQUE :** si l'icône de verrouillage est allumée, vous ne pouvez pas choisir le mode du distributeur. Vérifiez si le mode de verrouillage des commandes est activé ou désactivé sur le panneau de commande.

**⚠ AVERTISSEMENT :** Le distributeur ne fonctionnera pas si une porte est laissée ouverte ou si le verrou de contrôle est activé.

## Filtre d'air



Le filtre à air aide à retirer les odeurs du réfrigérateur. Le filtre à air a deux réglages, automatique et MAX. En mode Automatique, le filtre à air cyclera à marche et arrêt en incréments de dix minutes de marche et cent dix minutes d'arrêt. Si réglé en mode MAX, le filtre à air restera en marche continuellement pendant quatre heures, passant de marche à arrêt en incréments de dix minutes de marche et cinq minutes d'arrêt. Après quatre heures, le filtre à air passe au mode Automatique.

- Le mode Automatique est le mode par défaut.
- Appuyez sur le bouton de filtre à air une fois pour le mode MAX

## Réinitialisation du Filtre d'air



Quand le symbole CHANGE s'allume, le filtre d'air doit être changé. Après avoir changé le filtre d'air, appuyer sur le bouton du Filtre d'air pendant trois secondes pour éteindre la lumière du symbole. Il est conseillé de changer le filtre d'air tous les six mois.

## Machine à glaçons ACTIVÉE/DÉSACTIVÉE



- Pour mettre en marche ou éteindre la machine à glaçons, appuyez sur le bouton Ice Maker.

## Extra glace



- Lorsque vous maintenez enfoncée la touche Ice Maker pendant trois secondes, le graphique s'allumera à l'écran et continuera pendant 24 heures. La fonction s'éteindra automatiquement après 24 heures.

**REMARQUE :** Lorsque vous sélectionnez la fonction Extra glace, l'icône de la machine à glaçons s'éteindra brièvement, puis se rallumera. Ceci est normal.

- Vous pouvez arrêter cette fonction manuellement en maintenant à nouveau la touche enfoncée.
- Cette fonction augmente les possibilités de fabrication de glace et de congélation.

## Réinitialisation du filtre à eau



Quand le symbole CHANGE s'allume, vous devez changer le filtre à eau. Après le changement de filtre à eau, maintenez enfoncé le bouton Ice maker (Filtre à eau) pendant trois secondes pour éteindre le témoin. Vous devez changer le filtre à eau environ tous les six mois.

## Éclairage du distributeur



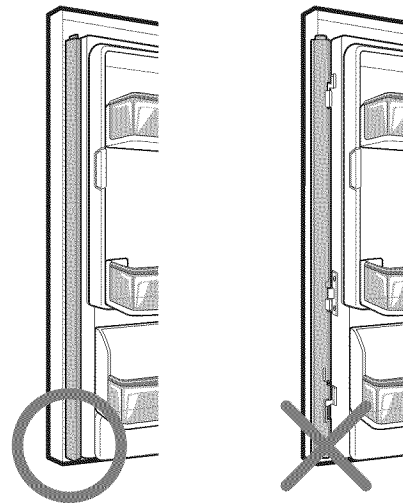
Cet éclairage comporte trois réglages : Activé, Désactivé et Veilleuse. Sélectionnez l'option Veilleuse le soir. L'éclairage s'allumera automatiquement à pleine capacité lorsque le volet du distributeur est enfoncé.

## Meneau articulé

Cette fonction est une bande métallique attachée à la porte gauche qui s'articule (pivote) sur 90 degrés lorsque la porte est fermée, formant un meneau (base) sur lequel viennent s'appuyer les joints d'étanchéité des portes gauche et droite.

## ⚠ ATTENTION

Pour réduire les risques d'égratignures de la porte ou de rupture du meneau de la porte, veuillez vous assurer que le meneau de la porte du réfrigérateur est toujours replié vers l'intérieur.



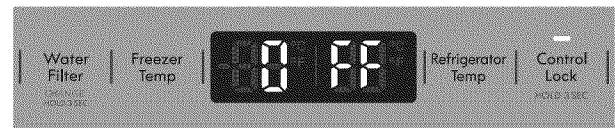
**Alarme de porte**

 Door Alarm

- Lorsqu'une alimentation électrique est connectée au réfrigérateur, l'alarme de la porte est initialement activée. Lorsque vous appuyez sur le bouton **Door Alarm**, l'affichage change à OFF et la fonction **Door Alarm** se désactive.
- Lorsque la porte du réfrigérateur ou du congélateur est laissée ouverte pendant plus de 60 secondes, l'alarme retentit pour vous indiquer que la porte est ouverte.
- Lorsque vous fermez la porte, l'alarme s'arrête.

**Le mode Démonstration (pour utilisation en magasin seulement)**

Le mode **Démonstration** désactive tout refroidissement dans les sections réfrigérateur et congélateur pour préserver l'énergie alors que l'affichage est activé chez un détaillant. Lorsque cette fonction est activée, OFF s'affiche sur le panneau de commande.

**De commande de verrouillage**

 Control Lock  
HOLD 3 SEC

- Lors de la connexion initiale de l'alimentation électrique au réfrigérateur, la fonction **Verrou** est désactivée.
- Si vous souhaitez activer la fonction **Verrou** pour verrouiller d'autres boutons, maintenez enfoncé le bouton **Control Lock** pendant plus de trois secondes. L'icône **Control Lock** s'affiche et la fonction **Verrou** est maintenant activée.
- Lorsque la fonction **Verrou** est activée, aucun autre bouton ne fonctionne. Le bloc du distributeur est également désactivé.
- Pour désactiver la fonction **Verrou**, maintenez enfoncé le bouton **Control Lock** pendant environ trois secondes.

**Pour désactiver cette fonction :**

L'une des portes du réfrigérateur étant ouverte, maintenez enfoncés les boutons **Refrigerator Temp** et **Ice Maker** en même temps pendant cinq secondes. Le panneau de commande émet un bip et les réglages de température s'affichent pour confirmer la désactivation du mode **Démonstration**. Utilisez la même procédure pour activer le mode **Démonstration**.

**Fonction de changement de mode de température (°F <->°C)**

Si vous souhaitez passer de °F à °C ou vice versa, maintenez enfoncés les boutons **Freezer Temp** et **Refrigerator Temp** simultanément pendant environ cinq secondes.

## BAC À GLAÇONS DANS LA PORTE

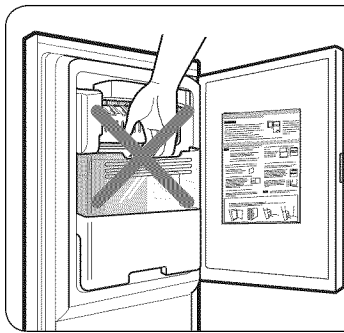
**⚠ ATTENTION :** Maintenez les mains et les outils loin de la porte du compartiment à glaçons et du déversoir du distributeur. Sinon, vous risquez d'endommager l'appareil ou de vous blesser.

La machine à glaçons s'arrête de produire de la glace lorsque le bac à glaçons dans la porte est plein. Si vous avez besoin de plus de glaçons, videz le bac à glaçons dans le bac à glaçons supplémentaire dans le compartiment congélateur. En cours d'utilisation, le niveau des glaçons peut devenir irrégulier et la machine à glaçons pourrait alors mal estimer la quantité de cubes de glace et cesser la production de glaçons. Pour corriger ce problème, il suffit parfois de secouer le bac à glaçons.

**REMARQUE :** Le stockage de boîtes ou autres éléments dans le bac à glaçons endommagera la machine à glaçons.

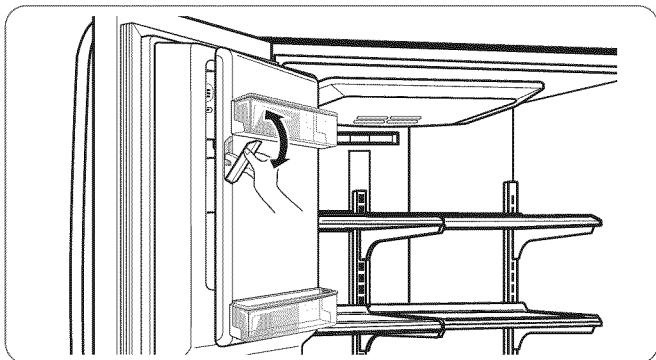
Maintenez la porte du compartiment à glaçons hermétiquement fermée. Si la porte du compartiment à glaçons n'est pas hermétiquement fermée, l'air froid du compartiment à glaçons fera geler la nourriture dans le compartiment réfrigérateur. Cela pourrait également entraîner l'arrêt de la production de glaçons.

**REMARQUE :** Il est recommandé de vider la réserve à glaçons si la touche Marche/Arrêt de la fabrication de glace est sur Arrêt pendant une période prolongée.

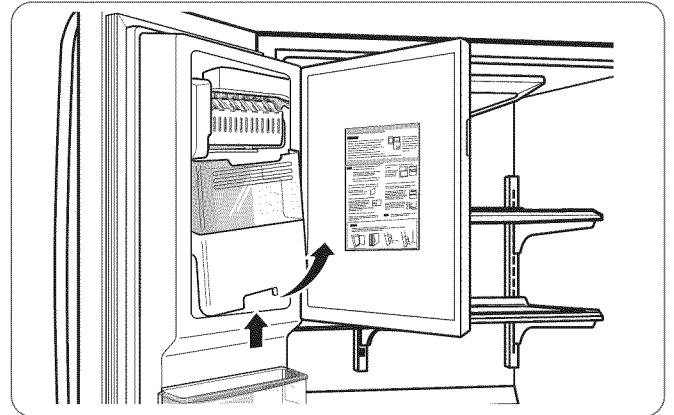


**⚠ ATTENTION**  
Lors de la manipulation du bac à glaçons, tenez les mains éloignées du bac de la machine à glaçons pour éviter de vous blesser.

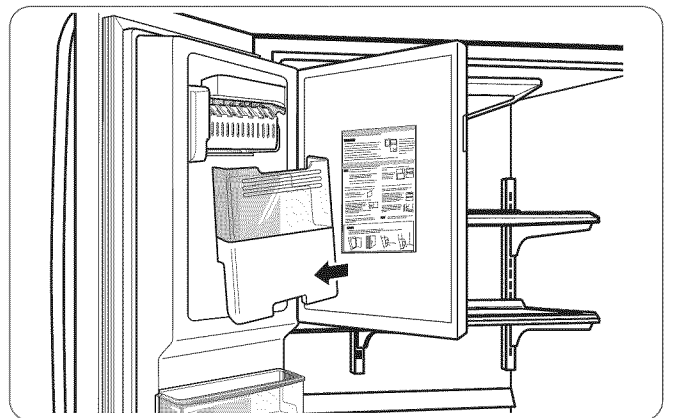
1. Tirez ou poussez la poignée de la porte pour ouvrir ou fermer le compartiment à glaçons.



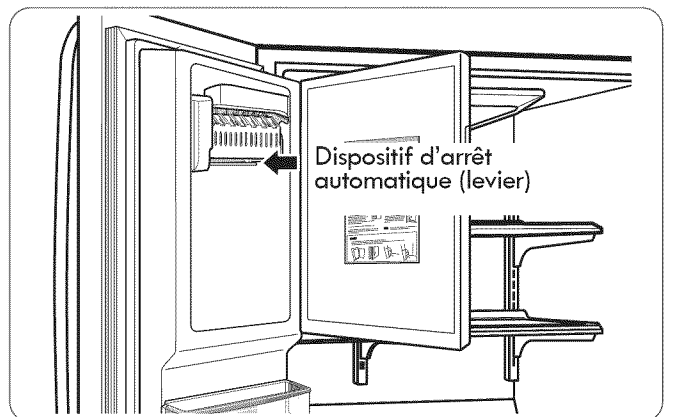
2. Pour retirer le bac à glaçons de la porte, saisissez la poignée avant, soulevez légèrement la partie inférieure, et tirez lentement le bac pour l'extraire comme illustré.



3. Pour réinstaller le bac à glaçons dans la porte, inclinez légèrement le bac pendant la remise en place pour éviter tout contact avec la machine à glaçons.



4. Évitez de toucher le dispositif d'arrêt automatique (levier) lorsque vous remplacez la réserve à glaçons. Pour plus de détails, reportez-vous à l'étiquette sur la porte du compartiment à glaçons.



## MACHINE À GLAÇONS AUTOMATIQUE

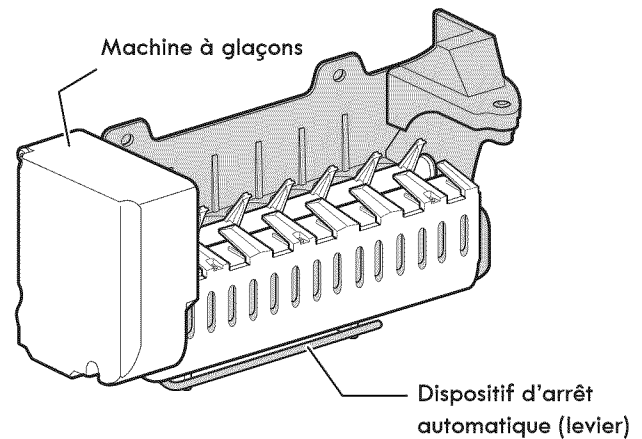
La glace est fabriquée dans la machine à glaçons automatique et envoyée dans le distributeur. La fabrication de glace produit entre 70 et 182 glaçons par période de 24 heures en fonction de la température du compartiment congélateur, de la température ambiante, du nombre d'ouvertures de la porte et d'autres conditions de fonctionnement.

- Il faut compter entre 12 et 24 heures avant qu'un réfrigérateur venant d'être installé commence à fabriquer de la glace. Attendez 72 heures pour une production maximale de glace.
- La fabrication de glace s'arrête dès que le bac de stockage de glace est plein. Lorsqu'il est plein, le bac à glace contient environ 6 à 8 (34 à 45 cl) verres de glace.
- La présence de substances étrangères ou de givre sur le dispositif d'arrêt automatique (levier) peut interrompre la production de glaçons. Veillez à ce que le levier reste propre en permanence pour garantir un bon fonctionnement.
- Pour augmenter la production de glaçons, utilisez la fonction Ultra Ice. Cette fonction permet d'augmenter les capacités de congélation et de fabrication de glace.

## **!** AVERTISSEMENT

### Risque de blessure

N'approchez PAS les doigts ou les mains du mécanisme de la machine à glaçons automatique pendant que le réfrigérateur est branché.



### MACHINE À GLAÇONS AUTOMATIQUE (suite)

#### ⚠ ATTENTION

- Les tout premiers glaçons et la première eau distribuée peuvent comporter des particules ou présenter une odeur provenant du circuit d'approvisionnement d'eau ou du réservoir d'eau.
- Jetez les premiers lots de glaçons. Cela est également nécessaire lorsque le réfrigérateur n'a pas été utilisé pendant une période prolongée.
- Ne stockez jamais des boîtes de boissons ou autres articles dans le bac à glace pour obtenir un refroidissement rapide. Vous pourriez endommager la machine à glaçons automatique ou les contenants peuvent éclater.
- Si de la glace décolorée est distribuée, vérifiez le filtre d'eau et l'approvisionnement d'eau. Si le problème persiste, contactez un centre d'entretien Sears ou un autre centre d'entretien qualifié. Évitez d'utiliser la glace ou l'eau tant que le problème n'est pas réglé.
- Ne laissez pas les enfants s'approcher du distributeur. Les enfants pourraient jouer avec les contrôles ou les endommager.
- Le passage de la glace peut devenir obstrué par du givre si uniquement de la glace concassée est employée. Retirez le givre qui s'accumule en retirant le bac à glaçons et en dégageant le passage avec une spatule en caoutchouc. La distribution de glace en cubes peut également contribuer à empêcher la formation de givre.
- N'utilisez jamais de verre ou de vaisselle en cristal pour recueillir la glace. De tels contenants peuvent s'ébrécher ou se casser en fragments de verre dans la glace.
- Distribuez la glace dans un verre avant de l'ajouter à de l'eau ou à d'autres boissons. Des éclaboussures peuvent se produire si la glace est distribuée dans un verre contenant déjà du liquide.
- N'utilisez jamais un verre qui est exceptionnellement étroit ou profond. De la glace pourrait se coincer dans le passage de glaçons et les performances du réfrigérateur pourraient être compromises.
- Maintenez le verre à une distance appropriée de la sortie de distribution de la glace. La présentation d'un verre trop près de la sortie peut empêcher la distribution de la glace.
- Pour éviter tout risque de blessure, n'approchez pas les mains de la porte et du passage de la glace.
- Ne retirez jamais le couvercle du distributeur.
- Si de la glace ou de l'eau est distribuée inopinément, coupez l'alimentation en eau et contactez Sears Home Service aux États-Unis le 1-844-553-6667. and au Canada, le 1-800-469-4663.

### QUAND METTRE À L'ARRÊT LA FABRIQUE DE GLACE

- Lorsque l'approvisionnement en eau sera coupé pendant plusieurs heures.
- Lorsque le bac à glace est retiré pendant plus qu'une ou deux minutes.
- Lorsque le réfrigérateur ne sera pas utilisé pendant plusieurs jours.

**REMARQUE :** la réserve à glaçons doit être vidée chaque fois que la touche ON/OFF(Marche/Arrêt) de la fabrique de glace est réglée sur Arrêt.

### BRUITS NORMAUX QUE VOUS POUVEZ ENTENDRE

- Si la touche MARCHÉ/ARRÊT de la fabrique de glace est réglée sur MARCHÉ, la vanne bourdonnera même si la fabrique de glace n'est pas encore raccordée à une arrivée d'eau. Pour stopper ce bourdonnement, mettez la touche sur ARRÊT.
- **REMARQUE :** si vous laissez la fabrique de glace sur MARCHÉ avant qu'elle ne soit raccordée à l'arrivée d'eau, vous risquez de l'endommager.
- Vous entendrez le bruit des cubes tombant dans le bac et l'eau coulant dans les tuyaux lors du remplissage de la machine à glaçons.

### PRÉPARATION POUR LES VACANCES

Réglez la touche Marche/Arrêt de la fabrique de glace sur Arrêt et coupez l'arrivée d'eau au réfrigérateur.

**REMARQUE :** La réserve à glaçons doit être vidée chaque fois que la touche Marche/Arrêt de la fabrique de glace est réglée sur Arrêt.

Si la température ambiante tombe au-dessous du niveau du gel, demandez à un technicien qualifié de drainer le système d'approvisionnement d'eau afin d'éviter de graves dégâts des eaux provoqués par la rupture d'une conduite ou d'un raccordement d'eau.

## GUIDE DE STOCKAGE DES ALIMENTS

Enveloppez ou stockez la nourriture dans le réfrigérateur dans une matière hermétique à l'épreuve de l'humidité sauf indication contraire. Cela empêche le transfert des odeurs et du goût dans le réfrigérateur. Pour les produits datés, vérifiez le code de date pour vous assurer de la fraîcheur des aliments.

Produits	Procédure
<b>Beurre ou margarine</b>	► Gardez le beurre ouvert dans une assiette couverte ou un compartiment fermé. Lors du stockage d'une réserve supplémentaire, enveloppez dans un emballage à congélation et congelez le produit.
<b>Fromage</b>	► Stockez dans un emballage d'origine jusqu'à utilisation. Une fois ouvert, remballer hermétiquement dans un film de plastique ou du papier d'aluminium.
<b>Lait</b>	► Essuyez les cartons de lait. Pour un meilleur stockage, placez le lait sur une étagère intérieure, et non sur une étagère de porte.
<b>Œufs</b>	► Stockez dans le carton d'origine sur une étagère intérieure, et non sur une étagère de porte.
<b>Fruit</b>	► Ne pas laver ou peler un fruit jusqu'à ce qu'il ne soit prêt à être consommé. Sélectionner et garder les fruits dans les récipients originaux, dans un bac, ou les garder dans un sac en papier complètement fermé, sur une étagère du réfrigérateur.
<b>Légume-feuille</b>	► Retirez l'emballage du magasin et enlevez les zones meurtries ou décolorées. Lavez à l'eau froide et égouttez. Placez dans un sac ou un conteneur en plastique, et rangez dans le bac à légumes.
<b>Légumes à peau (carottes, poivrons)</b>	► Placez dans des sacs ou un conteneur en plastique, et rangez dans le bac à légumes.
<b>Poisson</b>	► Garder le poisson cru et les fruits de mer dans le congélateur, si vous ne les consommez pas le jour de l'achat. Il est conseillé de consommer le poisson cru et les fruits de mer le jour de l'achat.
<b>Restes</b>	► Couvrez les restes avec du film plastique, du papier d'aluminium ou des contenants en plastique avec couvercle hermétique.

## STOCKAGE DES ALIMENTS CONGELÉS

**REMARQUE :** Consultez un guide sur la congélation ou un livre de cuisine fiable pour obtenir d'autres informations sur la préparation des aliments en vue d'une congélation ou sur les durées de conservation des aliments.

### Congélation

Le congélateur ne peut pas congeler rapidement une grande quantité de nourriture. Ne placez pas d'aliments non congelés dans le congélateur qui ne pourra pas congeler en moins de 24 heures (pas plus de 2 à 3 livres de nourriture par pied cube d'espace de congélation). Laissez suffisamment d'espace dans le congélateur pour permettre la circulation de l'air entre les paquets. Veillez à laisser suffisamment d'espace à l'avant pour garantir la fermeture hermétique de la porte.

Les durées de stockage varient en fonction de la qualité et du type de nourriture, du type d'emballage ou d'enveloppement utilisé (hermétique à l'air et à l'humidité) et de la température de stockage. Les cristaux de glace à l'intérieur d'un paquet fermé sont normaux. Cela signifie simplement que l'humidité dans la nourriture et l'air à l'intérieur du paquet se sont condensés, formant des cristaux de glace.

**REMARQUE :** Laissez les aliments chauds refroidir à la température de la pièce pendant 30 minutes, puis emballez et congelez. Le refroidissement des aliments chauds avant la congélation permet d'économiser l'énergie.

### Emballage

La qualité de la congélation dépend du choix d'un emballage approprié. Lorsque vous fermez et scellez le paquet, il doit être parfaitement hermétique à l'air ou à l'humidité. Dans le cas contraire, l'odeur et le goût des aliments pourraient être transférés dans le réfrigérateur, ou les aliments congelés pourraient sécher.

### Recommandations d'emballage :

- Contenants en plastique rigide avec couvercle à fermeture hermétique
- Bocaux à bords droits/bocaux de congélation
- Papier d'aluminium renforcé
- Papier plastifié
- Films plastiques imperméables
- Sac de congélation à fermeture incorporée

Suivez les instructions de l'emballage ou du contenant pour utiliser les méthodes de congélation appropriées.

### N'utilisez pas

- Papier d'emballage de pain
- Contenants en plastique non-polyéthylène
- Contenants sans couvercle hermétique
- Papier ciré ou papier de congélation ciré
- Film fin semi-perméable

**⚠ ATTENTION :** Ne placez pas les boîtes de boissons ou les contenants de nourriture en plastique dans le compartiment congélateur. Ils pourraient se rompre ou éclater en congelant.

## GUIDE DE STOCKAGE DU VIN

Pour plus de commodité et pour gagner de l'espace, utilisez le porte-bouteilles pour stocker jusqu'à quatre bouteilles de taille standard.

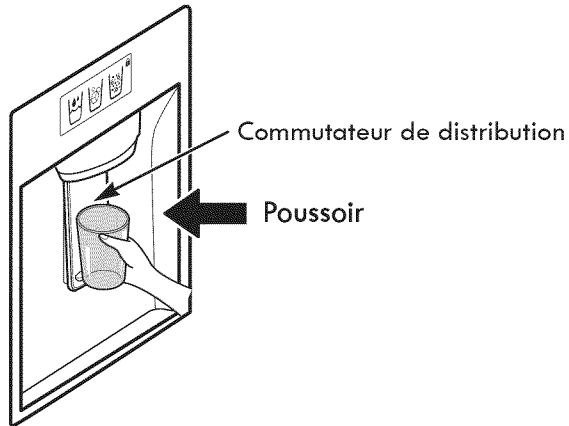
**⚠ ATTENTION :** Le porte-bouteilles est conçu pour des bouteilles de taille standard. L'utilisation de bouteilles de taille non standard ou plus grande peut empêcher la fermeture correcte de la porte du réfrigérateur.

## SECTION RÉFRIGÉRATEUR

### DISTRIBUTEUR D'EAU

Pour obtenir de l'eau froide, poussez l'interrupteur de distribution avec un verre.

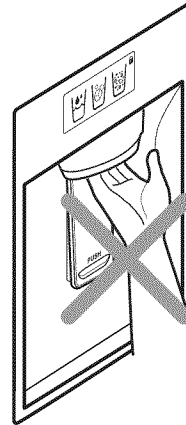
**REMARQUE** : Le distributeur est doté d'une lumière qui s'allume lorsque la plaque du distributeur est enfoncée.



Un égouttement peut se produire après la distribution. Maintenez votre tasse sous le distributeur pendant quelques secondes après la distribution pour récupérer toutes les gouttes.

**⚠ Avertissement** : Ne mettez pas les doigts dans le déversoir de glaçons. Vous pourriez gravement vous blesser.

**⚠ Attention** : Ne déversez pas la glace dans des tasses en porcelaine ou des verres en cristal. La porcelaine ou le cristal pourrait se casser.



## ÉTAGÈRES DU RÉFRIGÉRATEUR

Les étagères du réfrigérateur sont ajustables en fonction de vos besoins. Votre modèle peut comporter des étagères en verre ou en treillis métallique.

L'ajustement des étagères en fonction de différentes hauteurs d'articles permet de trouver l'article recherché plus facilement. Cela permet également de réduire les temps d'ouverture des portes du réfrigérateur et d'ainsi économiser de l'énergie.

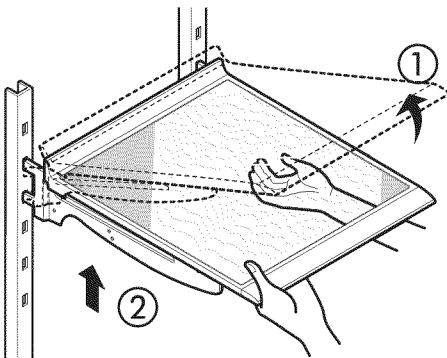
**IMPORTANT :** Évitez de nettoyer les étagères en verre avec de l'eau chaude alors qu'elles sont froides. Les étagères pourraient se casser si elles sont soumises à de brusques changements de température ou à un impact.

**REMARQUE :** Les étagères en verre sont lourdes. Soyez prudent lors de leur retrait.

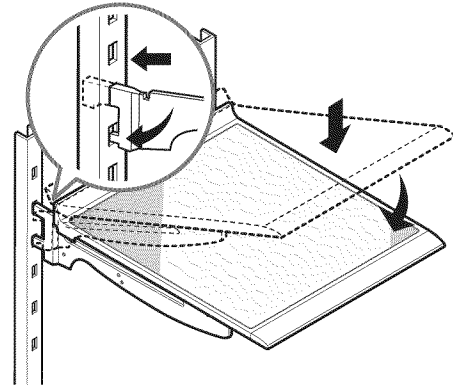
### Réglage des étagères (en porte-à-faux)

Retirez les étagères de la position d'expédition et placez-les à la position souhaitée.

**Pour retirer une étagère**—Inclinez l'avant de l'étagère dans la direction de ① et soulevez-la dans la direction de ②. Tirez sur l'étagère pour la retirer.



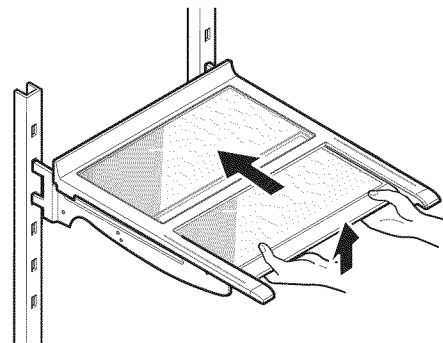
**Pour réinstaller une étagère**—Inclinez l'avant de l'étagère vers le haut et introduisez les crochets de l'étagère dans les fentes à la hauteur souhaitée. Ensuite, abaissez l'avant de l'étagère afin que les crochets se positionnent dans les fentes.



**ATTENTION :** Veillez à placer les étagères au même niveau des deux côtés. Sinon, l'étagère pourrait tomber ou renverser des aliments.

### Étagère coulissante

Vous pouvez ranger des articles plus hauts, par exemple des contenants ou des bouteilles d'un gallon, en poussant simplement la moitié avant de l'étagère sous sa moitié arrière. Tirez vers vous l'avant de l'étagère pour revenir à une étagère complète.

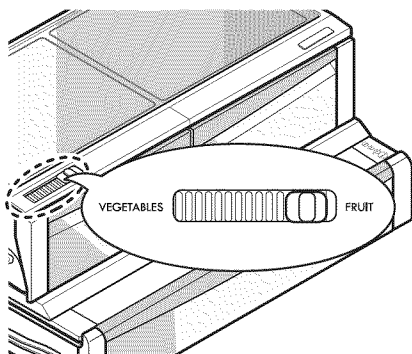


## BAC À LÉGUMES À HUMIDITÉ CONTRÔLÉE

Les bacs à légumes préservent le goût des fruits et des légumes en vous laissant contrôler facilement l'humidité à l'intérieur du tiroir.

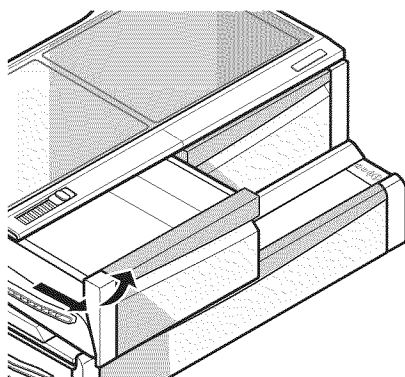
Vous pouvez contrôler la quantité d'humidité dans les bacs à légumes étanches en ajustant le contrôle à un réglage compris entre **VEGETABLES** et **FRUIT**.

- **VEGETABLES** maintient l'air humide dans le bac à légumes pour une meilleure conservation des légumes-feuille frais.
- **FRUIT** laisse sortir l'air humide du bac à légumes pour une meilleure conservation des fruits.



## RETRAIT DU BAC À LÉGUMES À HUMIDITÉ CONTRÔLÉE

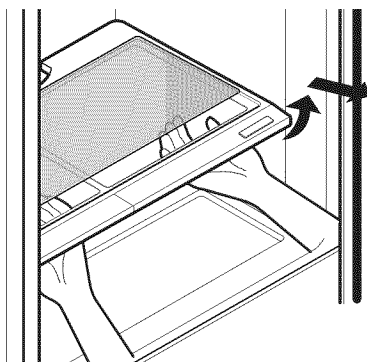
1. Pour le retirer, tirez le tiroir pour le sortir complètement.
2. Soulevez l'avant du bac à légumes, puis tirez-le vers l'extérieur pour le sortir.
3. Pour installer le bac, inclinez légèrement l'avant vers le haut, insérez le tiroir dans le cadre et poussez-le en place.



### Pour retirer le verre

1. Soulevez le verre sous le couvercle du bac à légumes.
2. Tirez le verre vers le haut et sortez-le.

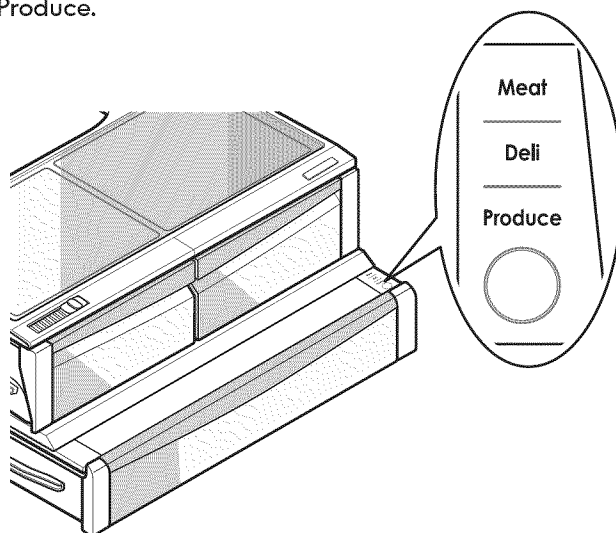
**REMARQUE :** (Tiroir non représenté par souci de clarté.)



## TIROIR GARDE-MANGER À TEMPÉRATURE CONTRÔLÉE

Le **tiroir garde-manger à température contrôlée** fournit un espace de stockage avec contrôle de température variable pouvant maintenir le compartiment à une température inférieure à la section réfrigérateur. Ce tiroir peut être utilisé pour de grands plateaux de réception, des articles d'épicerie fine et les boissons. (Ce tiroir ne doit pas être utilisé pour les légumes demandant une humidité élevée.)

Appuyez sur le bouton pour choisir entre Meat, Deli et Produce.



**⚠ ATTENTION :** Ne placez pas de bouteilles en verre dans le garde-manger. Si elles sont gelées, elles risquent de se briser et de provoquer des blessures.

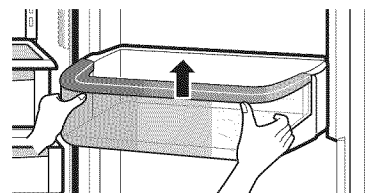
## BAC DE PORTE

Les bacs de porte sont amovibles pour simplifier leur nettoyage et leur réglage.

1. Pour retirer le bac, soulevez-le simplement et tirez-le vers l'extérieur.
2. Pour remettre en place le bac, faites-le glisser à l'intérieur au-dessus du support souhaité et poussez-le vers le bas pour l'enclencher.

**REMARQUE :** Certains bacs peuvent avoir un aspect différent et ne tenir qu'à un seul emplacement.

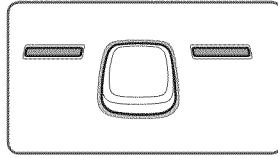
**⚠ ATTENTION :** ne remplissez pas trop les balconnets et ne serrez pas trop les aliments dedans. Vous risquez sinon d'endommager le balconnet ou de vous blesser si les aliments sont retirés avec force.



## REPLACEMENT DU FILTRE D'AIR

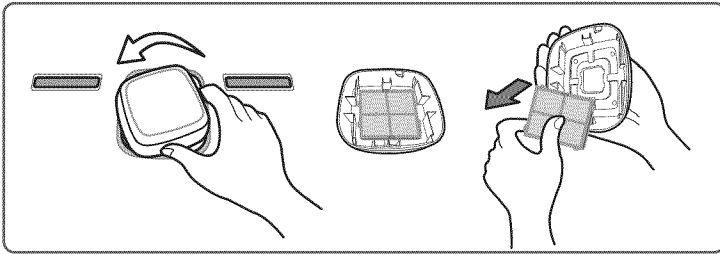
Il est conseillé de remplacer le filtre d'air:

- Tous les six mois.
- Quand le symbole CHANGE AIR FILTER (Changer le filtre d'air) s'allume.



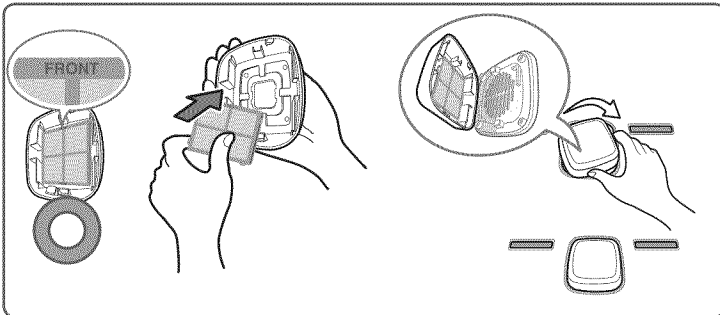
### 1. Retirer le filtre utilisé

Tournez le couvercle du filtre vers la gauche pour le détacher de la paroi du réfrigérateur. Le filtre se trouve à l'intérieur du couvercle du filtre. Retirez le filtre du couvercle et remplacez-le par un nouveau filtre.



### 2. Installer un nouveau filtre d'air

Placez le nouveau filtre à l'intérieur du couvercle avec le côté portant la mention « Avant » face vers l'extérieur. Tournez le filtre vers la droite pour le fixer sur la paroi du réfrigérateur.



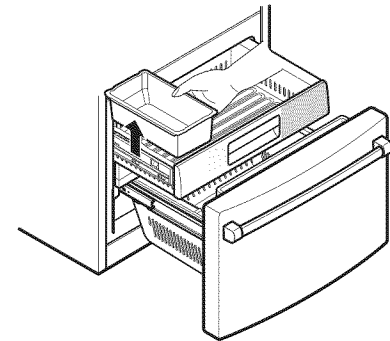
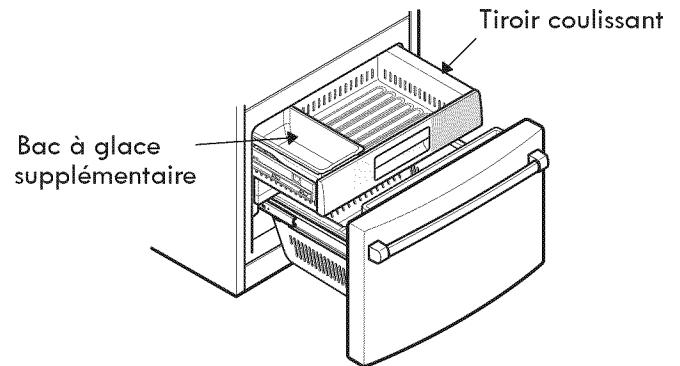
Après avoir changé le filtre d'air, appuyer pendant trois secondes sur le bouton du Filtre d'air pour réinitialiser le capteur du filtre.

**NOTE:** Pour acheter un filtre d'air de rechange, visiter votre magasin local Sears, au aux États-Unis, composez le 1-844-553-6667. and au Canada, composez le 1-800-469-4663. Pour l'achat de web, visitez : [www.kenmore.com](http://www.kenmore.com)

## SECTION CONGÉLATEUR

### BAC À GLAÇONS SUPPLÉMENTAIRES

1. Tirez le tiroir du congélateur et le tiroir coulissant le plus loin possible pour retirer le bac à glace supplémentaire.
2. Soulevez délicatement le bac à glaçons et tirez vers l'extérieur pour le retirer.
3. Pour remettre en place, tirez les deux tiroirs le plus loin possible, et placez le bac à sa position appropriée dans le tiroir coulissant. Fermez le tiroir coulissant, puis le tiroir du congélateur.

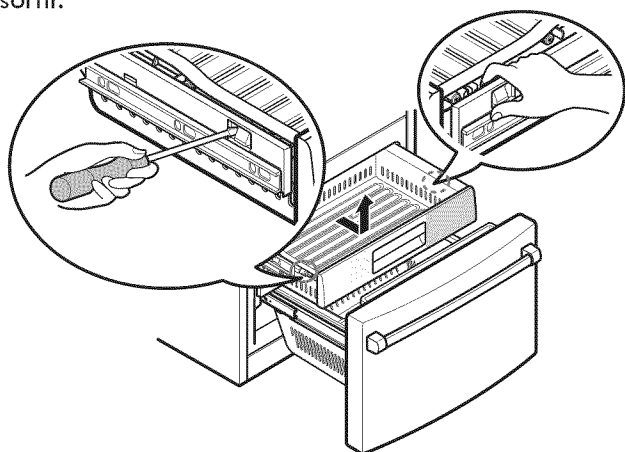


**⚠ ATTENTION :** Risque de pincement! N'approchez pas les mains et les pieds du tiroir du congélateur lors de l'ouverture et de la fermeture.

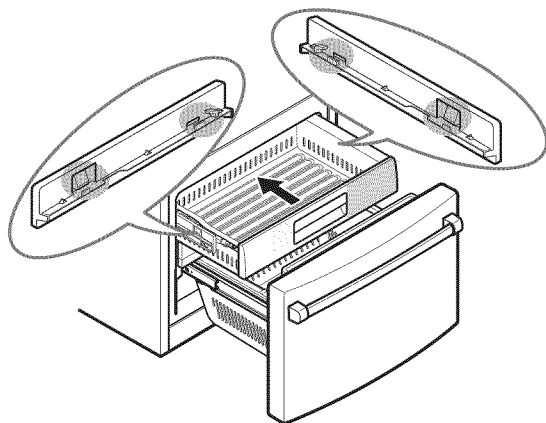
## TIROIR COULISSANT

### Caisson supérieur

1. Pour retirer, sortez le tiroir jusqu'au bout. Sur le rail gauche, utilisez un tournevis à lame plate pour enfoncer la languette afin de dégager le tiroir du rail, comme indiqué plus bas. Lorsque le côté gauche est dégagé, enfoncez la languette du côté droit du doigt pour dégager le tiroir. Soulevez l'avant du tiroir puis tirez pour le sortir.

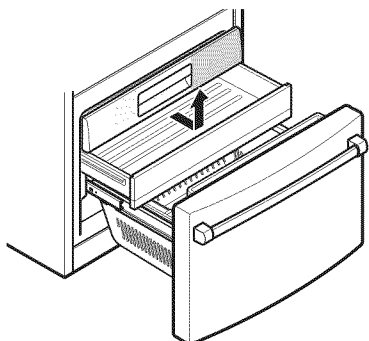


2. Pour replacer, penchez un peu l'avant du tiroir vers le haut, insérez le tiroir dans le cadre et repoussez le tiroir en place jusqu'à ce que vous entendiez un clic.

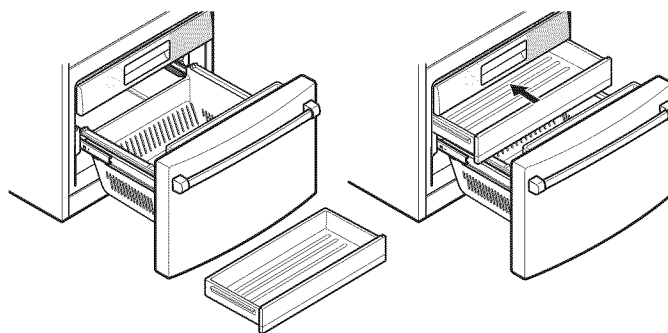


### Caisson de milieu

1. Pour retirer le caisson, tirer complètement dehors. Lever le devant du caisson et tirer complètement, tout droit.

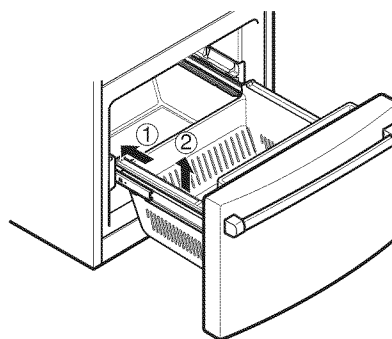


2. Pour remettre en place, inclinez légèrement l'avant du tiroir vers le haut, insérez le tiroir dans le châssis, puis poussez le tiroir en place.



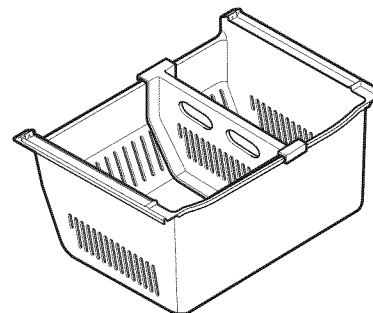
## DURABASE

1. Pour retirer le Durabase, poussez-le vers l'arrière le plus loin possible. Inclinez l'avant du Durabase et tirez-le vers l'extérieur.
2. Pour le remettre en place, insérez le Durabase dans le rail.



## DIVISEUR DU DURABASE

Le diviseur du Durabase permet d'organiser le volume du Durabase en deux sections. Il peut être réglé d'un côté à l'autre pour recevoir des articles de tailles différentes.



- ⚠ AVERTISSEMENT :** Si le diviseur du Durabase est retiré, il y a suffisamment d'espace ouvert à l'intérieur pour qu'un enfant ou des animaux s'y glissent. Pour prévenir les risques qu'un enfant ou un animal reste coincé ou suffoque accidentellement, NE les laissez PAS toucher le tiroir ou s'en approcher.

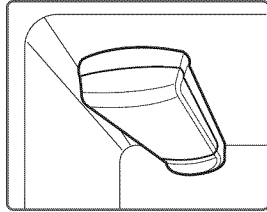
# FILTRE À EAU

## FILTRE À EAU



Il est recommandé de remplacer le filtre à eau :

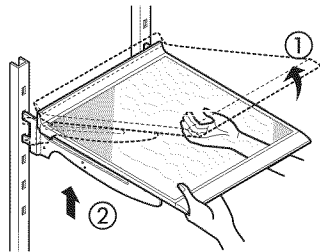
- Environ tous les 6 mois.
- Lorsque le témoin de filtre à eau s'allume.
- Lorsque le débit du distributeur d'eau diminue.
- Lorsque les cubes de glace sont plus petits que d'habitude.



### Avant de remplacer le filtre à eau :

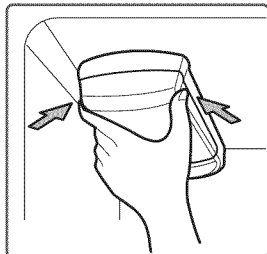
Si la clayette supérieure située sous le filtre à haut est placée en position la plus haute, vous devrez la retirer avant de remplacer le filtre à eau.

Pour retirer une clayette – Inclinez la partie avant de la clayette vers le haut ① et soulevez-la ②. Tirez sur l'étagère pour la retirer.

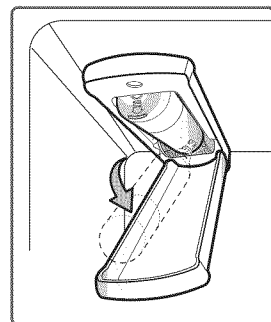


### 1. Retirez l'ancien filtre à eau.

- Abaissez ou retirez l'étagère gauche supérieure pour permettre au filtre à eau de basculer complètement.
- Appuyez sur le bouton-poussoir pour ouvrir le couvercle du filtre à eau.



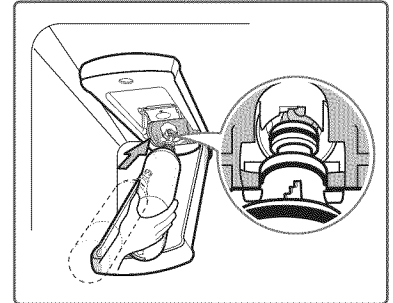
**REMARQUE :** Le remplacement du filtre à eau entraîne l'écoulement d'une petite quantité d'eau (environ 1 once ou 25 cc). Placez une tasse sous l'extrémité avant du couvercle du filtre à eau pour recueillir tout écoulement d'eau. Tenez le filtre à eau à la verticale, une fois qu'il est retiré, pour empêcher tout écoulement d'eau du filtre à eau.



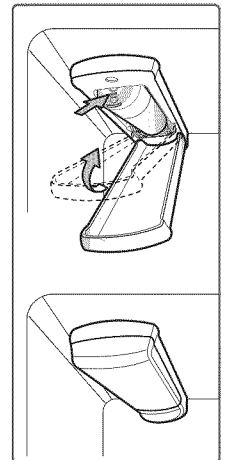
- Tirez le filtre à eau vers le bas puis vers l'extérieur.

### 2. Remplacez par un nouveau filtre à eau.

- Sortez le nouveau filtre à eau de son emballage puis retirez l'enveloppe de protection des joints toriques. Les pattes du filtre à eau orientées en position horizontale, introduisez le nouveau filtre à eau à fond dans le collecteur.



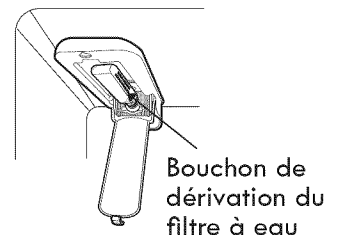
- Faites tourner le filtre à eau en position et fermez le couvercle. Le couvercle s'enclenche s'il est correctement fermé.



- 3. Une fois le filtre à eau remis en place, distribuez 2,5 gallons d'eau (laissez couler environ 5 minutes) pour purger l'air piégé et les contaminants du système. Ne distribuez pas toute la quantité des 2,5 gallons de façon continue. Enfoncez et relâchez la plaque du distributeur pour des cycles de 30 secondes d'activation et de 60 secondes de désactivation.

### 4. Bouchon de dérivation du filtre à eau

Conservez le bouchon de dérivation du filtre à eau. Vous DEVEZ utiliser le bouchon de dérivation du filtre à eau lorsqu'une cartouche de filtre à eau de remplacement n'est pas disponible.



- ⚠ **ATTENTION :** N'UTILISEZ PAS le réfrigérateur sans avoir installé de filtre à eau ou de bouchon de dérivation du filtre à eau.

**REMARQUE :** Pour acheter un filtre à eau de remplacement, visiter votre magasin local Sears, au aux États-Unis, composez le 1-844-553-6667, and au Canada, composez le 1-800-469-4663.

Pour l'achat de web, visitez : [www.kenmore.com](http://www.kenmore.com)

Fiche technique de performances

Cartouche de remplacement à utiliser : 04609690000P

La concentration des substances indiquées dans l'eau entrant dans le système a été réduite à une concentration inférieure ou égale à la limite autorisée pour l'eau sortant du système, telle que spécifiée dans la norme NSF/ANSI 42 et la norme 53.



Système testé et certifié par NSF International par rapport aux normes NSF/ANSI 42 et 53 pour la réduction des substances répertoriées ci-dessous.

Réduction des contaminants	Concentration moyen	Concentration seuil dans l'eau	% moyen de réduction	Concentration autorisée du produit dans l'eau	Concentration maximale autorisée du produit dans l'eau	Conditions de réduction NSF	Rapport de test NSF
Goût et odeur de chlore	2,1 mg/L	2,0 mg/L ± 10%	97,2%	0,06 mg/L	S/O	≥ 50%	J-00049247
Classe particulaire nominale I, ≥0,5 à < 1,0 µm	5,600,000 pts/mL	Au moins 10 000 particules/mL	98,7%	73 000 pts/ml	S/O	≥85%	J-00049282
Amiante	190 MFL	107 à 108 MFL; fibres d'une longueur supérieure à 10 µm	>99%	< 1 MFL	S/O	≥99%	J-0004928
Atrazine	0,0094 mg/L	0,009 mg/L ± 10%	94,7%	0,00005 mg/L	0,003 mg/L	S/O	J-00049293
Benzène	0,016 mg/L	0,015 mg/L ± 10%	96,7%	0,005 mg/L	0,005 mg/L	S/O	J-00049300
Carbofuran	0,08 mg/L	0,08 mg/L ± 10%	98,1%	0,002 mg/L	0,04 mg/L	S/O	J-00049294
Lindane	0,002 mg/L	0,002 mg/L ± 10%	98,2%	0,00004 mg/L	0,0002 mg/L	S/O	J-00051975
P-Dichlorobenzène	0,22 mg/L	0,225 mg/L ± 10%	99,8%	0,0005 mg/L	0,075 mg/L	S/O	J-00049298
Toxaphène	0,014 mg/L	0,015 mg/L ± 10%	93%	0,001 mg/L	0,003 mg/L	S/O	J-00049302
2,4-D	0,213 mg/L	0,210 mg/L ± 10%	95,2%	0,009 mg/L	0,07 mg/L	S/O	J-00049284
Plomb pH @6,5	0,150 mg/L	0,15 mg/L ± 10%	>99,3%	0,001 mg/L	0,010 mg/L	S/O	J-00051974
Plomb pH @8,5	0,150 mg/L	0,15 mg/L ± 10%	>99,3%	0,001 mg/L	0,010 mg/L	S/O	J-00049277
Mercure @ pH 6,5	0,0059 mg/L	0,006 mg/L ± 10%	96,1	0,0002 mg/L	0,002 mg/L	S/O	J-00053886
Mercure @ pH 8,5	0,0058 mg/L	0,006 mg/L ± 10%	90,1	0,0006 mg/L	0,002 mg/L	S/O	J-00051972
Sporocyste*	120 000 sporocystes/L	50 000 sporocystes/L minimum	99,99%	<1 sporocystes/L	S/O	≥99,95%	J-00049281

\* Basé sur l'utilisation d'oocystes de *Cryptosporidium parvum*

Directives d'application/Paramètres d'approvisionnement d'eau	
Débit d'utilisation	0,5 gpm (1,9 lpm)
Approvisionnement d'eau	Eau potable
Pression de l'eau	20-120 psi (138 - 827 kPa)
Température de l'eau	33°F - 100°F (0,6°C - 38°C)

Il est essentiel que l'installation recommandée par le fabricant, ainsi que les procédures de maintenance et de remplacement du filtre à eau soient exécutées pour garantir les performances annoncées du produit.

**REMARQUE :** Alors que le test a été effectué dans des conditions de laboratoire normales, les performances réelles peuvent varier.

**REMARQUE :** Pour acheter un filtre à eau de remplacement, visiter votre magasin local Sears, au aux États-Unis, composez le 1-844-553-6667. and au Canada, composez le 1-800-469-4663. Pour l'achat de web, visitez : [www.kenmore.com](http://www.kenmore.com)  
filtre à eau de remplacement : ADQ36006102

Produit distribué aux États-Unis par Sears Brand Management Corporation.

3M est une marque commerciale de 3M Company.  
NSF est une marque commerciale de NSF International.  
© 2009 3M Company. Tous droits réservés.

## ! AVERTISSEMENT

**Pour réduire les risques associés à l'ingestion de contaminants : N'utilisez pas d'eau présentant une insécurité microbiologique ou de qualité inconnue sans une désinfection préalable avant et après le système.** Les systèmes certifiés pour réduction de sporocystes peuvent être utilisés sur de l'eau désinfectée pouvant contenir des sporocystes filtrables. Numéro d'établissement 10350-MN-005

## ! ATTENTION

**Pour réduire les risques associés aux dommages matériels dus aux fuites d'eau :**

- **Lisez et appliquez** les instructions du filtre à eau avant d'installer et d'utiliser ce système.
- L'installation et l'utilisation **DOIVENT** être conformes aux codes de plomberie locaux.
- **Ne procédez pas** à l'installation si la pression de l'eau est supérieure à 120 psi (827 kPa). Contactez un plombier professionnel en cas de doute sur la vérification de la pression de l'eau.
- **Ne procédez pas** à l'installation en présence de conditions de coup de bélier. En présence de conditions de coup de bélier, vous devez installer un antibélier. Contactez un plombier professionnel en cas de doute sur la vérification de cette condition.
- **Ne procédez pas** à l'installation sur des lignes d'adduction d'eau chaude.  
La température d'eau maximale d'exploitation de ce système de filtrage à eau est de 100°F (38°C).
- **Protégez le filtre à eau du gel.** N'utilisez pas le réfrigérateur à une température ambiante inférieure à 55°F. Asséchez le filtre à eau lors d'un stockage à des températures inférieures à 40°F (4,4°C).
- Le filtre à eau jetable doit être remplacé tous les six mois, à la capacité nominale, ou si une réduction notable du débit est observée.

State of California  
Department of Public Health  
Water Treatment Device  
Certificate Number  
09 - 2019

Date Issued: December 15, 2009

---

**Manufacturer:** Sears Roebuck and Co.

---

The water treatment device(s) listed on this certificate have met the testing requirements pursuant to Section 116830 of the Health and Safety Code for the following health related contaminants:

**Microbiological Contaminants and Turbidity**

Cysts

**Organic Contaminants**

2,4-D Reduction  
Atrazine  
Benzene  
Carbofuran  
Lindane  
p-Dichlorobenzene  
Toxaphene

**Inorganic/Radiological Contaminants**

Asbestos  
Lead  
Mercury

---

**Rated Service Capacity:** 200 gal

**Rated Service Flow:** 0.5 gpm

---

**Conditions of Certification:**

## ⚠ AVERTISSEMENT



### Risque d'explosion

Utilisez un produit de nettoyage ininflammable. Sinon, vous risquez de provoquer un incendie, une explosion ou des blessures mortelles.

Les sections réfrigérateur et congélateur se dégivrent automatiquement; cependant, il convient de nettoyer les deux sections environ une fois par mois pour empêcher la formation d'odeurs. Essuyez immédiatement les renversements.

### CONSEILS DE NETTOYAGE GÉNÉRAUX

- Débranchez le réfrigérateur ou déconnectez la source de courant.
- Retirez toutes les parties mobiles, telles que les étagères, les bacs à légumes, etc. Reportez-vous aux sections **Utilisation de votre réfrigérateur** pour consulter les instructions de retrait.
- Utilisez une éponge propre ou un chiffon doux et un détergent léger dilué dans l'eau chaude. N'utilisez pas de produits de nettoyage abrasifs ou corrosifs.
- Lavez, rincez et essuyez à la main toutes les surfaces.
- Branchez le réfrigérateur et reconnectez l'alimentation électrique.

### EXTÉRIEUR

Le cirage des surfaces métalliques peintes externes favorise la protection contre la rouille. Ne cirez pas les pièces en plastique. Cirez les surfaces métalliques peintes au moins deux fois par année à l'aide d'une cire pour appareils électroménagers (ou cire auto). Appliquez la cire avec un chiffon propre et doux.

Pour les produits dotés d'un extérieur en acier inoxydable, utilisez une éponge propre ou un chiffon doux et un détergent léger dilué dans l'eau chaude. N'utilisez pas de produits de nettoyage abrasifs ou corrosifs. Essuyez complètement avec un chiffon doux.

**PAROIS INTÉRIEURES** (laissez le congélateur se réchauffer afin d'éviter que le chiffon ne colle à la surface)

Pour faciliter l'élimination des odeurs, vous pouvez laver l'intérieur du réfrigérateur avec un mélange de bicarbonate de soude et d'eau chaude. Mélangez 2 cuillères à table de bicarbonate de soude à une pinte d'eau (26 g de bicarbonate de soude à 1 litre d'eau.) Vérifiez que le bicarbonate de soude est entièrement dissous afin qu'il ne risque pas de rayer les surfaces du réfrigérateur.

⚠ **ATTENTION** : Pendant le nettoyage de l'intérieur, n'aspergez pas d'eau.

### CONTRE-PORTES ET JOINTS

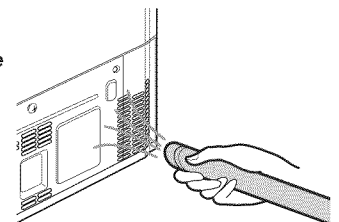
Utilisez une éponge propre ou un chiffon doux et un détergent léger dilué dans l'eau chaude. N'utilisez pas de cires nettoyantes, de détergent concentré, de javellisants ou de produits de nettoyage contenant des dérivés de pétrole sur les pièces en plastique du réfrigérateur.

### PIÈCES EN PLASTIQUE (couvercles et panneaux)

Utilisez une éponge propre ou un chiffon doux et un détergent léger dilué dans l'eau chaude. N'utilisez pas d'aérosols de fenêtres, de produits de nettoyage abrasif ou de fluides inflammables. Ceux-ci peuvent égratigner ou endommager les matériaux.

### SERPENTINS RÉFRIGÉRANTS

Utilisez un aspirateur équipé d'une rallonge pour nettoyer le couvercle et les ouvertures d'aération du serpentin réfrigérant. Ne retirez pas le panneau couvrant la zone du serpentin réfrigérant.



## REPLACEMENT D'UNE AMPOULE D'ÉCLAIRAGE

### AVERTISSEMENT

#### Risque d'électrocution

Avant de remplacer une ampoule d'éclairage de compartiment, débranchez le réfrigérateur ou coupez l'alimentation au niveau du disjoncteur ou d'une boîte de fusibles.

**REMARQUE :** La lampe du compartiment est un éclairage intérieur LED dont l'entretien doit être confié à un technicien qualifié.

#### Pour changer la lampe du compartiment congélateur

1. Débranchez de la prise secteur le cordon d'alimentation du réfrigérateur.
2. Retirez la vis au moyen d'un tournevis.
3. Saisissez le couvercle de l'ampoule, tirez le couvercle vers le bas.

#### COUPURES DE COURANT

1. En cas de coupure de courant de 24 heures ou moins, maintenez toutes les portes du réfrigérateur fermées pour maintenir les aliments froids et congelés.
2. Si la coupure de courant devait durer plus que 24 heures, retirez tous les aliments congelés et stockez-les dans un casier pour denrées congelées.

#### LORSQUE VOUS PARTEZ EN VACANCES

**Si vous choisissez de laisser en service le réfrigérateur pendant votre voyage,** suivez les instructions suivantes pour préparer le réfrigérateur avant votre départ.

1. Consommez toutes les denrées périssables et congelez les autres denrées.
2. Arrêtez la machine à glaçons et videz le bac à glace.

**Si vous choisissez de mettre hors tension le réfrigérateur avant votre départ,** procédez comme suit.

1. Retirez tous les aliments du réfrigérateur.
2. Selon votre modèle, réglez le contrôle du thermostat (contrôle du réfrigérateur) sur OFF. Reportez-vous à la section Réglage des contrôles.
3. Nettoyez le réfrigérateur, essuyez-le et séchez-le.
4. Avec du ruban adhésif fixez des blocs de caoutchouc ou de bois en haut des deux portes pour les maintenir ouvertes suffisamment pour laisser pénétrer l'air à l'intérieur. Cela permet d'éviter la formation d'odeurs et de moisissures.

#### LORSQUE VOUS DÉMÉNAGEZ

Lorsque vous déménagez votre réfrigérateur dans une nouvelle maison, procédez comme suit pour le préparer au déménagement.

1. Retirez tous les aliments du réfrigérateur et emballez-les dans de la glace sèche.
2. Débranchez le réfrigérateur.
3. Nettoyez, essuyez et séchez complètement.
4. Retirez toutes les pièces amovibles, emballez-les et attachez-les ensemble avec du ruban adhésif afin qu'elles ne s'entrechoquent pas pendant le transport. Reportez-vous à la section **Utilisation du réfrigérateur** pour les instructions concernant les pièces amovibles.
5. Selon le modèle, soulevez l'avant du réfrigérateur afin qu'il roule plus facilement OU vissez à fond vers l'intérieur les cales de réglage afin d'éviter qu'elles ne raient le plancher. Reportez-vous à la section **Fermeture des portes**.
6. Maintenez les portes fermées avec du ruban adhésif et fixez le cordon d'alimentation à l'armoire du réfrigérateur avec du ruban adhésif.

Lorsque vous arrivez dans votre nouvelle maison, remettez tout en place et reportez-vous à la section **Installation du réfrigérateur** pour les instructions de préparation.

# CONNEXION DU TUYAU D'EAU

## AVANT DE COMMENCER

Cette installation de raccordement d'eau n'est pas couverte par la garantie de ce réfrigérateur. Suivez attentivement ces instructions pour minimiser les risques de coûteux dégâts des eaux.

Des coups de bélier (brusques déplacements d'eau dans les tuyaux) dans une plomberie domestique peuvent endommager les pièces du réfrigérateur et provoquer des fuites d'eau ou des dégâts des eaux. Contactez un plombier qualifié pour corriger les effets de coups de bélier avant de raccorder la conduite d'approvisionnement d'eau au réfrigérateur.

**⚠ ATTENTION :** Pour éviter les brûlures et les dommages au produit, raccordez uniquement le tuyau d'eau du réfrigérateur à un approvisionnement d'eau froide.

Si vous voulez utiliser votre réfrigérateur avant d'avoir raccordé la conduite d'eau, assurez-vous que la fabrique de glace est éteinte sur le panneau de commande.

**⚠ ATTENTION :** N'installez pas la tuyauterie de la machine à glaçons à des endroits où la température tombe sous le niveau du gel.

## PRESSIION DE L'EAU

**Un approvisionnement d'eau froide.** La pression de l'eau doit être comprise entre 20 et 120 psi. Si le réfrigérateur est installé à un endroit où la pression d'eau est faible (inférieure à 1,38 bar, soit 20 psi), vous pouvez installer une pompe d'appoint pour compenser cette pression faible.

Si un **système de filtration d'eau à osmose inverse** est raccordé à votre approvisionnement d'eau froide, cette installation de raccordement d'eau n'est pas couverte par la garantie du réfrigérateur. Suivez attentivement les instructions suivantes pour minimiser les risques de coûteux dégâts des eaux.

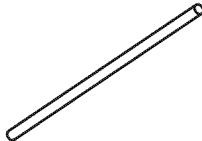
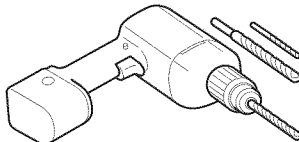
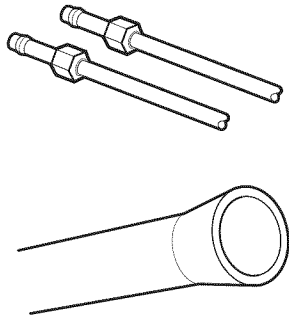
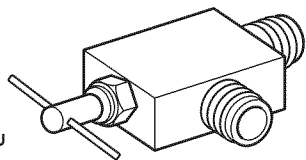
Si un **système de filtration d'eau par osmose inverse** est connecté à votre alimentation en eau froide, la pression d'eau au niveau du système par osmose inverse doit être comprise au minimum entre 2,76 et 4,14 bars (40-60 psi), soit moins de 2 à 3 secondes pour remplir une tasse de 20 cl.

Si la pression d'eau depuis le système par osmose inverse est inférieure à 1,38 bar (20 psi), soit plus de 4 secondes pour remplir une tasse de 20 cl, procédez comme suit:

- Vérifiez que le filtre à sédiments dans le système à osmose inverse n'est pas bloqué. Remplacez le filtre si nécessaire.
- Laissez le réservoir de stockage du système à osmose inverse se remplir après une utilisation intensive.
- Si le problème de la pression d'eau du système à osmose inverse persiste, contactez un plombier qualifié.
- Toutes les installations doivent être conformes aux conditions du code de plomberie local.

**⚠ ATTENTION :** Portez une protection des yeux pendant l'installation pour prévenir toute blessure.

## CE DONT VOUS AUREZ BESOIN

- **Tuyau de cuivre**, 1/4 po. de diamètre extérieur pour accorder le réfrigérateur à l'approvisionnement d'eau. Assurez-vous que les deux extrémités du tuyau ont une coupe perpendiculaire. 
  - Pour déterminer la longueur de tuyau requise : mesurez la distance entre la vanne à eau à l'arrière du réfrigérateur et la conduite d'approvisionnement d'eau. Ajoutez ensuite 8 pieds (2,4 m). Assurez-vous qu'il y a une section supplémentaire de tuyau suffisante (environ 8 pieds [2,4 m] bouclée en 3 coudes d'environ 10 po. [25 cm] le diamètre) pour permettre de placer le réfrigérateur à une distance adéquate du mur après l'installation.
  - **Perceuse.**
  - **Clé de 1/2 po. ou clé à ouverture variable.**
  - **Tournevis à lame plate et à pointe cruciforme.**
  - **Deux écrous de serrage d'un diamètre extérieur de 1/4 po. et 2 bagues (gaines)** pour raccorder les tuyaux de cuivre à la vanne d'arrêt et à la vanne à eau du réfrigérateur. 
  - Si votre conduite d'eau en cuivre a une extrémité évasée, vous aurez besoin d'un **adaptateur** (disponible dans les magasins d'articles de plomberie) pour raccorder la conduite d'eau au réfrigérateur OU vous pouvez couper le bout évasé avec un coupeur de tuyau et utiliser un dispositif de serrage. 
  - **Vanne d'arrêt pour raccorder la conduite d'eau froide.** La vanne d'arrêt doit comporter une entrée d'eau d'un diamètre intérieur minimal de 5/32 po. au point de raccordement à la CONDUITE D'EAU FROIDE. Les vannes d'arrêt de type étrier sont incluses dans plusieurs kits d'approvisionnement d'eau. Avant d'en acheter, assurez-vous qu'une vanne de type étrier est conforme aux codes de plomberie locaux. 
- REMARQUE :** Une vanne à eau de type étrier auto-perceuse ne doit pas être utilisée.

## ⚠ AVERTISSEMENT

### Risque d'électrocution

Lors de l'utilisation d'un dispositif électrique (telle qu'une perceuse) pendant l'installation, assurez-vous que le dispositif est alimenté par batterie, est doté d'une double isolation ou est mis à la terre afin d'éliminer les risques d'électrocution.

## INSTRUCTIONS D'INSTALLATION

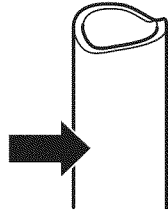
Installez la vanne d'arrêt sur la conduite d'eau potable fréquemment utilisé le plus proche.

### 1. ARRÊTEZ L'APPROVISIONNEMENT D'EAU PRINCIPAL

Ouvrez le robinet le plus proche pour libérer la pression sur la ligne.

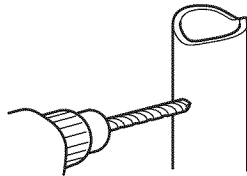
### 2. CHOISISSEZ L'EMPLACEMENT DE LA VANNE

Choisissez un emplacement facilement accessible pour la vanne. Il est préférable d'établir le raccordement dans le côté d'un tuyau d'eau vertical. S'il est nécessaire de faire le raccordement dans un tuyau d'eau horizontal, utilisez la face supérieure ou latérale et non la face inférieure, pour éviter la récupération des sédiments du tuyau d'eau.



### 3. PERCEZ LE TROU POUR LA VANNE

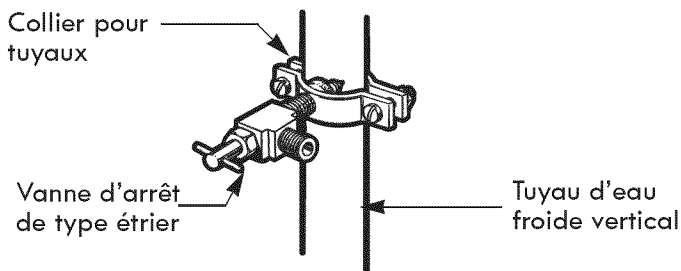
Percez un trou de 1/4 po. dans le tuyau d'eau avec une mèche aiguisée. Enlevez toute ébarbure résultant du perçage du trou dans le tuyau. Veillez à ne pas laisser l'eau s'écouler dans la perceuse. Si vous ne percez pas un trou de 1/4 po., il est possible que la production de glace soit réduite ou que les glaçons soient plus petits.



**REMARQUE :** La conduite de raccordement ne peut pas être un tuyau en plastique blanc. Les plombiers agréés ne doivent utiliser que des tuyaux en cuivre NDA n° 49595 ou 49599 ou des tuyaux en polyéthylène réticulés (PEX).

### 4. FIXEZ LA VANNE D'ARRÊT

Fixez la vanne d'arrêt au tuyau d'eau froide avec le collier de serrage pour tuyau.

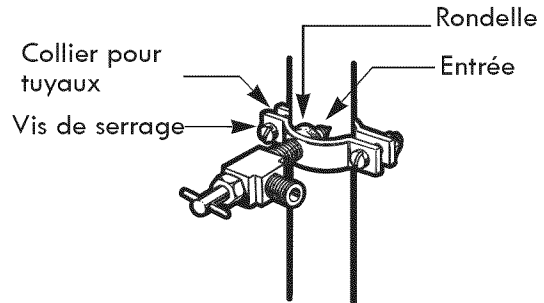


**REMARQUE :** Les codes de plomberie Commonwealth of Massachusetts 248CMR doivent être observés. Les vannes de type étrier sont illégales et leur utilisation n'est pas autorisée dans le Massachusetts. Consultez votre plombier licencié.

### 5. SERREZ LE COLLIER DE SERRAGE

Serrez les vis du collier de serrage jusqu'à ce que la rondelle d'étanchéité commence à gonfler.

**REMARQUE :** Ne serrez pas trop le collier de serrage, vous pourriez écraser le tuyau.



### 6. ACHEMINEZ LA TUYAUTERIE

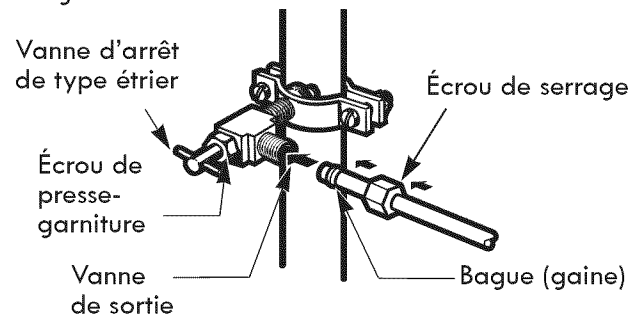
Acheminez la tuyauterie entre la conduite d'eau froide et le réfrigérateur.

Acheminez la tuyauterie par un trou pratiqué dans le mur ou le plancher (derrière le réfrigérateur ou l'armoire de base adjacente) aussi près que possible du mur.

**REMARQUE :** Assurez-vous qu'il y a une section supplémentaire de tuyau suffisante (environ 8 pieds bouclée en 3 coudes d'environ 10 po. de diamètre) pour permettre de placer le réfrigérateur à une distance adéquate du mur après l'installation.

### 7. RACCORDEZ LA TUYAUTERIE À LA VANNE

Placez l'écrou de serrage et la bague (gaine) pour le tuyau de cuivre à l'extrémité du tuyau et raccordez-le à la vanne d'arrêt. Assurez-vous que le tuyau est complètement introduit dans la vanne. Serrez solidement l'écrou de serrage.

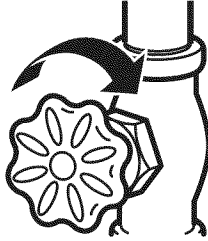


**REMARQUE :** Les codes de plomberie Commonwealth of Massachusetts 248CMR doivent être observés. Les vannes de type étrier sont illégales et leur utilisation n'est pas autorisée dans le Massachusetts. Consultez votre plombier licencié.

**8. LAVEZ LA TUYAUTERIE**

Ouvrez l'approvisionnement d'eau principal et laissez couler l'eau jusqu'à ce que l'eau soit propre.

Arrêtez l'eau au niveau de la vanne d'eau après avoir laissé s'écouler environ une pinte d'eau par la tuyauterie.

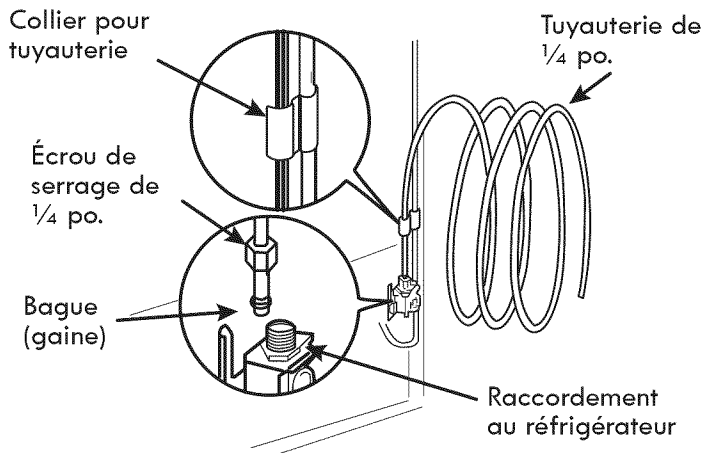


**9. RACCORDEZ LE TUYAU AU RÉFRIGÉRATEUR**

**⚠ AVERTISSEMENT**

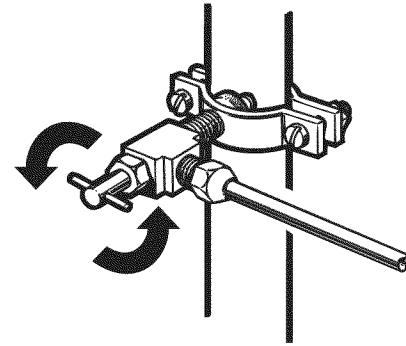
Avant de faire la connexion au réfrigérateur, assurez-vous que le cordon d'alimentation électrique ne soit pas branché dans la prise murale.

1. Retirez le bouchon flexible en plastique de la vanne d'eau.
2. Placez l'écrou de serrage et la bague (gaine) à l'extrémité de la tuyauterie, tel qu'indiqué.
3. Insérez l'extrémité du tuyau en cuivre dans la connexion, le plus loin possible. Tout en tenant la tuyauterie, serrez le raccord.



**10. OUVREZ L'EAU SUR LA VANNE D'ARRÊT**

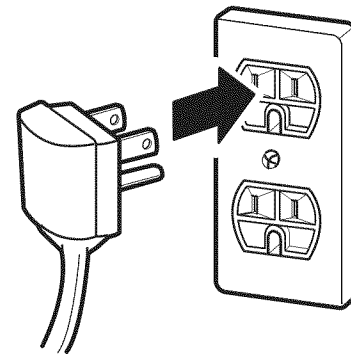
Serrez les raccords présentant une fuite.



**⚠ ATTENTION :** Vérifiez l'absence de fuite sur les raccords à la conduite d'eau.

**11. BRANCHEZ LE RÉFRIGÉRATEUR**

Disposez le cheminement de la tuyauterie de façon à éviter les vibrations contre l'arrière du réfrigérateur ou contre le mur. Repoussez le réfrigérateur vers le mur.



**12. DÉMARREZ LA MACHINE À GLAÇONS**

Mettez en marche la fabrique de glace via le panneau de commande.

La machine à glaçons commence à fonctionner jusqu'à ce qu'elle atteigne sa température de fonctionnement de 15°F (-9°C) ou une température inférieure. Elle fonctionnera ensuite automatiquement si la touche Marche/Arrêt de la fabrique de glace est réglée sur Marche.

# GUIDE DE DÉPANNAGE

Avant d'entreprendre des opérations de dépannage, veuillez vous assurer que les conditions basiques de fonctionnement suivantes sont respectées :

Débit Opérationnel	0.5 gpm (1.9 lpm)
Arrivée d'Eau	Eau Potable
Pression Hydraulique	20-120 psi (138 -827 kPa)
Limites de Températures Ambiantes de Fonctionnement	55°F - 110°F
Valeurs Électriques	115 Volts, 60 Hz, CA uniquement, fusible de 15 ou 20 ampères

## REFROIDISSEMENT

Problème	Causes possibles	Solutions
Les compartiments Réfrigérateur et Congélateur ne refroidissent pas	Le contrôle du réfrigérateur est réglé sur ARRÊT (sur certains modèles)	Réglez le contrôle sur MARCHE. Veuillez vous reporter à la section Réglage du Contrôle pour le paramétrage approprié des températures.
	Le réfrigérateur est réglé sur le mode Démo	Le mode Démo permet un fonctionnement normal de l'éclairage et de l'affichage du panneau de contrôle mais désactive le refroidissement pour économiser l'énergie durant l'exposition en magasin. Veuillez vous reporter à la section Réglage du Contrôle pour les instructions de désactivation du mode Démo.
	Le réfrigérateur est en cycle de Dégivrage	Durant le cycle de dégivrage, la température de chaque compartiment peut légèrement augmenter. Attendez 30 minutes et assurez-vous que la température est revenue à sa valeur correcte une fois le cycle de dégivrage complété.
	Le réfrigérateur a récemment été déplacé	Si le réfrigérateur a été débranché ou couché pendant une longue période, celui-ci doit être placé à la verticale pendant 24h avant d'être mis sous tension.
Le système de refroidissement est trop puissant	Le réfrigérateur remplace un ancien modèle	Les réfrigérateurs modernes nécessitent un temps de fonctionnement plus long mais consomment moins d'énergie grâce à une technologie plus efficace.
	Le réfrigérateur vient d'être branché ou remis sous tension	Le réfrigérateur mettra 24h à refroidir complètement
	La porte a souvent été ouverte ou beaucoup d'aliments / des aliments chauds y ont été placés	L'ajout d'aliments ou l'ouverture de la porte réchauffe le réfrigérateur, ce qui demande au compresseur de fonctionner plus longtemps pour refroidir les compartiments. Afin de conserver l'énergie, essayez de sortir tout ce dont vous avez besoin du réfrigérateur en une seule fois, rangez vos aliments de manière organisée afin de les localiser facilement, et fermez la porte dès que les aliments sont sortis. (Veuillez vous reporter à la section Guide de Stockage des Aliments)
	Les portes ne sont pas complètement fermées	Poussez les portes fermement. Si elles ne se ferment pas complètement, reportez vous à la section Les portes ne se ferment pas complètement ou s'ouvrent toutes seules de la partie Dépannage des Pièces & Fonctions.
	Le réfrigérateur est installé dans un environnement chaud	Le compresseur fonctionnera plus longtemps dans un environnement chaud. Lorsque la température ambiante est normale (70°F), votre compresseur doit fonctionner entre 40% et 80% du temps. Si la pièce est plus chaude, attendez-vous à ce qu'il tourne encore plus souvent. Le réfrigérateur ne doit pas être mis en fonction lorsque la température ambiante est supérieure à 110°F.
	Le condensateur / couvercle arrière est obstrué	Utilisez un aspirateur muni d'un embout pour nettoyer la protection du condensateur et la ventilation. Ne pas ôter le panneau recouvrant la bobine du condensateur.

## REFROIDISSEMENT

Problème	Causes possibles	Solutions
Le compartiment Réfrigérateur ou Congélateur est trop chaud	Le réfrigérateur a été installé récemment	24h peuvent être nécessaires pour que chaque compartiment atteigne la température désirée
	Les bouches d'aération sont obstruées	Réorganisez les éléments afin de permettre la libre circulation de l'air à l'intérieur du compartiment. Veuillez vous reporter au diagramme de circulation de l'air dans la section Utilisation de votre Réfrigérateur.
	Les portes sont souvent ouvertes ou restent ouvertes pendant longtemps.	Lorsque les portes sont souvent ouvertes ou restent ouvertes pendant longtemps, de l'air chaud et humide entre dans le compartiment. La température et le niveau d'humidité augmentent ainsi à l'intérieur du compartiment. Pour limiter cet effet, réduisez la fréquence et la durée d'ouverture des portes.
	L'appareil est installé dans un endroit chaud	Le réfrigérateur ne doit pas être mis en fonction si la température ambiante est supérieure à 110°F.
	Beaucoup d'aliments ou des aliments chauds ont été placés dans l'un des compartiments	L'ajout d'aliments augmente la température du compartiment, ce qui entraîne le déclenchement du système de refroidissement. Pour limiter cet effet, laissez les aliments chauds refroidir à température ambiante avant de les placer dans le réfrigérateur.
	Les portes ne sont pas correctement fermées	Veuillez vous reporter à la section Les portes ne se ferment pas correctement ou s'ouvrent toutes seules de la partie Dépannage des Pièces & Fonctions
	Le contrôle de la température n'est pas réglé correctement	Si la température est trop chaude, ajustez le contrôle une position à la fois et attendez que la température se stabilise. Veuillez vous reporter à la section Réglage du Contrôle pour plus d'informations
	Le cycle de dégivrage vient de se terminer	Durant le cycle de dégivrage, la température de chaque compartiment peut légèrement augmenter. Attendez 30 minutes et assurez-vous que la température est revenue à sa valeur correcte une fois le cycle de dégivrage complété.
De l'humidité se forme à l'intérieur	Les portes sont trop souvent ouvertes ou restent ouvertes trop longtemps	Lorsque les portes sont souvent ouvertes ou restent ouvertes pendant longtemps, de l'air chaud et humide entre dans le compartiment. La température et le niveau d'humidité augmentent ainsi à l'intérieur du compartiment. Pour limiter cet effet, réduisez la fréquence et la durée d'ouverture des portes.
	Les portes ne sont pas correctement fermées	Veuillez vous reporter à la section Les portes ne se ferment pas correctement de la partie Dépannage
	L'atmosphère est humide	Une atmosphère humide permet à plus d'humidité de pénétrer dans le compartiment lorsque la porte est ouverte, ce qui génère de la condensation et du givre. Vous pouvez contrôler l'humidité qui pénètre dans le réfrigérateur en maintenant un niveau d'humidité approprié à votre domicile
	Le cycle de dégivrage vient de se terminer	Durant le cycle de dégivrage, la température de chaque compartiment peut légèrement augmenter. Attendez 30 minutes et assurez-vous que la température est revenue à sa valeur correcte une fois le cycle de dégivrage complété.
	Les aliments ne sont pas correctement emballés	Les aliments stockés sans couvercle ni emballage et les conteneurs humides peuvent conduire à une accumulation d'humidité dans les compartiments. Essayez bien tous les compartiments et rangez les aliments dans des emballages hermétiques pour prévenir la condensation et le givre

## REFROIDISSEMENT / GLACE &amp; EAU

Problème	Causes possibles	Solutions
Les aliments congèlent dans le compartiment réfrigérateur	Des aliments avec une teneur en eau importante ont été placés à proximité des bouches d'aération	Réorganisez les aliments avec une teneur en eau importante loin des bouches d'aération
	Le contrôle de la température du réfrigérateur est mal réglé	Si la température est trop froide, ajustez le contrôle une position à la fois et attendez que la température se stabilise. Veuillez vous reporter à la section Réglage du Contrôle pour plus d'informations
	Le réfrigérateur est installé dans un endroit froid	Lorsque le réfrigérateur est mis en fonction sous une température ambiante inférieure à 41°F (5°C), les aliments peuvent geler dans le compartiment réfrigérateur. Le réfrigérateur ne doit pas être mis en fonction sous une température ambiante inférieure à 55°F (13°C).
Du givre ou des cristaux de glace se forment sur les aliments surgelés (à l'extérieur de l'emballage)	La porte est souvent ouverte ou reste ouverte pendant longtemps	Lorsque les portes sont souvent ouvertes ou restent ouvertes pendant longtemps, de l'air chaud et humide entre dans le compartiment. La température et le niveau d'humidité augmentent ainsi à l'intérieur du compartiment. Pour limiter cet effet, réduisez la fréquence et la durée d'ouverture des portes.
	La porte ne se ferme pas correctement	Veuillez vous reporter à la section Les portes ne se ferment pas correctement de la partie Dépannage
Le compartiment Réfrigérateur ou Congélateur est trop chaud	Mauvais réglage du contrôle de la température	Si la température est trop froide, ajustez le contrôle une position à la fois et attendez que la température se stabilise. Veuillez vous reporter à la section Réglage du Contrôle pour plus d'informations
Du givre ou des cristaux de glace se forment sur les aliments surgelés (à l'intérieur de l'emballage hermétique)	La condensation issue d'aliments à haute teneur en eau a gelé à l'intérieur de l'emballage alimentaire.	Ce phénomène est normal pour des aliments à haute teneur en eau.
	Des aliments ont été laissés dans le congélateur pendant une longue période	Ne stockez pas des aliments à haute teneur en eau dans le congélateur pendant une longue période
Le distributeur de glace ne produit pas suffisamment de glace	La demande dépasse la capacité de production de glace	Le distributeur de glace peut produire approximativement 70-182 glaçons par période de 24 heures
	L'arrivée d'eau du domicile n'est pas connectée, le robinet n'est pas complètement ouvert ou la valve est bouchée	Connectez le réfrigérateur à une alimentation d'eau froide avec une pression adéquate et ouvrez le robinet d'eau complètement.  Si le problème persiste, il sera peut-être nécessaire de contacter un plombier.
	Le filtre à eau est épuisé	Il est recommandé de remplacer le filtre à eau: <ul style="list-style-type: none"> <li>• Tous les six mois environ</li> <li>• Lorsque le voyant du filtre à eau s'allume</li> <li>• Lorsque la sortie de la distribution d'eau diminue</li> <li>• Lorsque les cubes de glace sont plus petits que la normale</li> </ul>
	La pression de l'arrivée d'eau du domicile est trop faible	La pression de l'eau doit être entre 20 et 120 psi pour les modèles sans filtre et entre 40 et 120 psi pour les modèles avec filtre.  Si le problème persiste, il peut être nécessaire de contacter un plombier ou d'installer une pompe d'appoint pour compenser la pression faible.
	Le système de filtrage par osmose inversée est en cours de fonctionnement	Les systèmes de filtrage par osmose inversée peuvent réduire la pression de l'eau en dessous de sa valeur minimale et occasionner un dysfonctionnement du distributeur de glace. (Veuillez vous reporter à la section pression de l'eau).
	Le tuyau reliant le réfrigérateur au robinet d'approvisionnement est plié	Le tuyau peut se plier lorsque le réfrigérateur est déplacé lors de l'installation ou du nettoyage, provoquant une réduction du débit d'eau. Redressez ou réparez la ligne d'arrivée d'eau et disposez-la afin d'éviter un nouveau pliage

## GLACE &amp; EAU

Problème	Causes possibles	Solutions
Le distributeur de glace ne produit pas suffisamment de glace (suite)	Les portes sont trop souvent ouvertes ou restent ouvertes trop longtemps	Lorsque les portes de l'appareil sont souvent ouvertes, l'air ambiant va réchauffer le réfrigérateur et empêcher le maintien de la température programmée de l'appareil. La diminution de la température programmée peut résoudre ce problème, tout comme la réduction du nombre d'ouvertures des portes
	Les portes ne se ferment pas complètement	Si les portes ne sont pas correctement fermées, la production de glace en sera affectée. Veuillez vous reporter à la section Les portes ne se ferment pas correctement ou s'ouvrent toutes seules de la partie Dépannage des Pièces & Fonctions pour plus d'informations.
	Le réglage de la température du congélateur est trop chaud.	La température recommandée du le compartiment congélateur pour la production normale de glace est de 0°F. Si la température du congélateur est plus chaude, la production de glace en sera affectée.
L'eau est servie trop lentement	Le filtre à eau est épuisé	Il est recommandé de remplacer le filtre à eau : <ul style="list-style-type: none"> <li>• Tous les six mois environ</li> <li>• Lorsque le voyant du filtre à eau s'allume</li> <li>• Lorsque la sortie de la distribution d'eau diminue</li> <li>• Lorsque les cubes de glace sont plus petits que la normale</li> </ul>
	Le système de filtrage par osmose inversée est en cours de fonctionnement	Les systèmes de filtrage par osmose inversée peuvent réduire la pression de l'eau en dessous de sa valeur minimale et occasionner un dysfonctionnement du distributeur de glace.  Si le problème persiste, il peut être nécessaire de contacter un plombier ou d'installer une pompe d'appoint pour compenser la pression faible.
	La pression de l'arrivée d'eau du domicile est trop faible	La pression de l'eau doit être entre 20 et 120 psi pour les modèles sans filtre et entre 40 et 120 psi pour les modèles avec filtre.  Si le problème persiste, il peut être nécessaire de contacter un plombier ou d'installer une pompe d'appoint pour compenser la pression faible.
La distribution de glace ne se fait pas	Les portes ne sont pas fermées correctement	La distribution de glace ne se fait pas si les portes du réfrigérateur sont ouvertes
	Utilisation peu fréquente du distributeur	L'utilisation peu fréquente du distributeur de glace conduit les glaçons à se coller avec le temps, ce qui empêche leur distribution. Veuillez vérifier que des glaçons ne sont pas bloqués/collés dans le bac. S'ils le sont, cassez les glaçons pour permettre le fonctionnement correct du distributeur.
	La glissière de distribution est obstruée par le givre ou des morceaux de glace	Enlevez le bac et nettoyez la glissière avec un ustensile en plastique pour supprimer le givre ou les morceaux de glace. La distribution de glace en cubes peut également aider à prévenir la formation de givre ou de morceaux de glace.
	L'affichage du distributeur est verrouillé	Maintenez le bouton Verrouillage enfoncé pendant trois secondes pour déverrouiller le panneau de contrôle et le distributeur.
	Le bac à glace est vide	24 heures peuvent être nécessaires pour que chaque compartiment atteigne la température désirée et que le distributeur de glace se mette à fonctionner. Assurez-vous que le contrôle (levier / capteur) n'est pas obstrué.  Une fois que la réserve de glace dans le bac est complètement épuisée, la fabrication de glace supplémentaire peut prendre jusqu'à 90 minutes, et environ 24h pour le remplissage complet du bac

## GLACE &amp; EAU

Problème	Causes possibles	Solutions
Le distributeur de glace ne produit pas de glace	Le réfrigérateur vient d'être installé ou le distributeur de glace vient d'être branché	24 heures peuvent être nécessaires pour que chaque compartiment atteigne la température désirée et que le distributeur de glace se mette à fonctionner.
	Le distributeur de glace n'est pas mis en marche	Vérifiez que la touche ON/OFF(Marche/Arrêt) de la fabrique de glace est réglée sur Marche.
	Le réfrigérateur n'est pas relié à l'arrivée d'eau, ou la vanne d'arrêt n'est pas ouverte.	Branchez le réfrigérateur à l'arrivée d'eau et ouvrez complètement la vanne d'arrêt.
	Le dispositif d'arrêt automatique (levier) de la fabrique de glace est obstrué.	Si votre distributeur est équipé d'un levier de contrôle de la glace, assurez-vous que celui-ci pivote normalement.
	Le système de filtrage par osmose inversée est connecté à votre arrivée d'eau froide.	Les systèmes de filtrage par osmose inversée peuvent réduire la pression de l'eau en dessous de sa valeur minimale et occasionner un dysfonctionnement du distributeur de glace. (Veuillez vous reporter à la section pression de l'eau).
La distribution d'eau ne se fait pas	Le réfrigérateur vient d'être installé ou la ligne d'arrivée d'eau vient d'être connectée	Servez 2,5 gallons d'eau (laissez couler pendant environ 5 minutes) pour évacuer l'air emprisonné et les éléments contaminants du système. Ne servez pas les 2,5 gallons en une seule fois. Actionnez le bloc de distribution pendant 30 secondes puis relâchez-le pendant 60 secondes, par cycles
	Le panneau de distribution est verrouillé	Maintenez le bouton Verrouillage enfoncé pendant trois secondes pour déverrouiller le panneau et le distributeur
	Le distributeur n'est pas réglé pour la distribution d'eau	Le distributeur peut être réglé pour la distribution de glace ou d'eau. Assurez-vous que le panneau de contrôle est réglé correctement. Appuyez sur le bouton Eau du panneau de contrôle pour servir de l'eau.
	Les portes du réfrigérateur ou du congélateur ne sont pas fermées correctement	La distribution d'eau ne se fait pas si les portes du réfrigérateur sont ouvertes
	Le filtre à eau vient d'être enlevé ou remplacé	Après le remplacement du filtre à eau, servez 2,5 gallons d'eau (laissez couler pendant environ 5 minutes) pour évacuer l'air emprisonné et les éléments contaminants du système. Ne servez pas les 2,5 gallons en une seule fois. Actionnez le bloc de distribution pendant 30 secondes puis relâchez-le pendant 60 secondes, par cycles
	Le tuyau reliant le réfrigérateur au robinet d'approvisionnement est plié	Le tuyau peut se plier lorsque le réfrigérateur est déplacé lors de l'installation ou du nettoyage, provoquant une réduction du débit d'eau. Redressez ou réparez la ligne d'arrivée d'eau et disposez-la afin d'éviter un nouveau pliage
	L'arrivée d'eau du domicile n'est pas connecté, le robinet n'est pas complètement ouvert ou la valve est bouchée	Connectez le réfrigérateur à une alimentation d'eau et ouvrez le robinet d'eau complètement.  Si le problème persiste, il sera peut-être nécessaire de contacter un plombier.

## GLACE &amp; EAU

Problème	Causes possibles	Solutions
La glace a un mauvais goût ou une mauvaise odeur	L'arrivée d'eau contient des minéraux comme du soufre	L'installation d'un filtre à eau est peut-être nécessaire pour éliminer les problèmes de goût et d'odeur.  <b>NOTE :</b> Dans certains cas, un filtre à eau peut se révéler insuffisant. Il n'est pas toujours possible d'éliminer les minéraux / goût / odeur présents dans l'arrivée d'eau
	Le distributeur de glace vient d'être installé	Jetez les premiers tas de glace afin d'éviter la glace décolorée ou ayant mauvais goût.
	La glace est stockée depuis trop longtemps	La glace se tasse, devient trouble ou prend un goût désagréable lorsqu'elle est stockée trop longtemps. Jetez l'ancienne glace et fabriquez-en une nouvelle réserve.
	Les aliments n'ont pas été rangés de manière appropriée dans un des compartiments	Réemballez les aliments. Les odeurs peuvent se fixer à la glace si les aliments ne sont pas emballés correctement.
	L'intérieur du réfrigérateur doit être nettoyé	Veillez vous reporter à la section Entretien & Nettoyage pour plus d'informations
	Le bac à glace doit être nettoyé	Videz et lavez le bac (jetez les vieux glaçons). Assurez-vous que le bac est complètement sec avant de le réinstaller.
L'eau distribuée est chaude	Le réfrigérateur vient d'être installé	Laissez le réfrigérateur tourner pendant 24h après l'installation pour permettre au réservoir de stockage de l'eau de refroidir complètement.
	Le distributeur d'eau vient d'être utilisé et le réservoir de stockage est vide	Selon votre modèle, la capacité du réservoir de stockage va de 20 à 30 onces.
	Le distributeur n'a pas été utilisé pendant plusieurs heures	Si le distributeur n'a pas été utilisé pendant plusieurs heures, le premier verre servi peut être tiède. Jetez les 10 premiers onces.
	Le réfrigérateur est connecté à l'arrivée d'eau chaude	Assurez-vous que le réfrigérateur est connecté à l'arrivée d'eau froide  <b>⚠ AVERTISSEMENT :</b> Le distributeur de glace peut être endommagé si vous le connectez à une arrivée d'eau chaude
L'eau a un mauvais goût ou une mauvaise odeur	L'arrivée d'eau contient des minéraux comme du soufre	L'installation d'un filtre à eau est peut-être nécessaire pour éliminer les problèmes de goût et d'odeur.
	Le filtre à eau est épuisé	Il est recommandé de remplacer le filtre à eau : <ul style="list-style-type: none"> <li>• Tous les six mois environ</li> <li>• Lorsque le voyant du filtre à eau s'allume</li> <li>• Lorsque la sortie de la distribution d'eau diminue</li> <li>• Lorsque les cubes de glace sont plus petits que la normale</li> </ul>
	Le réfrigérateur vient d'être installé	Servez 2,5 gallons d'eau (laissez couler pendant environ 5 minutes) pour évacuer l'air emprisonné et les éléments contaminants du système. Ne servez pas les 2,5 gallons en une seule fois. Actionnez le bloc de distribution pendant 30 secondes puis relâchez-le pendant 60 secondes, par cycles
Le distributeur de glace produit trop de glace	Le dispositif d'arrêt automatique (levier) de la fabrique de glace est obstrué.	Videz la réserve à glaçons. Si votre fabrique de glace est équipée d'un levier d'arrêt automatique, veillez à ce que ce dernier se déplace librement. Réinstallez la réserve à glaçons et patientez 24 heures pour confirmer le bon fonctionnement.

## BRUIT

Problème	Causes possibles	Solutions
Clic	Le contrôle du dégivrage cliquète lorsque le cycle de dégivrage automatique se met en route. Le contrôle de thermostat (ou le contrôle du réfrigérateur sur certains modèles) cliquète aussi en début et en fin de cycle.	Fonctionnement normal
Cliquetis	Les cliquetis peuvent provenir du débit du liquide réfrigérant, de l'arrivée d'eau à l'arrière de l'appareil, ou des éléments rangés au-dessus ou autour du réfrigérateur	Fonctionnement normal
	Le réfrigérateur n'est pas posé au sol de manière stable	Le sol flanche ou est inégal, ou les pieds de nivellement doivent être ajustés sous le réfrigérateur. Veuillez vous reporter à la section Alignement de la Porte
	Le compresseur linéaire du réfrigérateur s'est enrayé en cours de fonctionnement	Fonctionnement normal
Sifflement	Le moteur du ventilateur de l'évaporateur fait circuler de l'air à travers les compartiments du réfrigérateur et du congélateur.	Fonctionnement normal
	De l'air est envoyé sur le condensateur par le ventilateur du condensateur	Fonctionnement normal
Gargouillement	Liquide réfrigérant s'écoulant à travers le système de refroidissement	Fonctionnement normal
Pop	Contraction et expansion des parois internes dues aux changements de température	Fonctionnement normal
Grésillement	Eau s'égouttant sur le radiateur de dégivrage lors du cycle de dégivrage	Fonctionnement normal
Vibration	Si le côté ou l'arrière du réfrigérateur touche un meuble ou un mur, certaines des vibrations normales de l'appareil peuvent rendre un son audible	Pour supprimer ce bruit, assurez-vous que les côtés et l'arrière du réfrigérateur ne peuvent pas vibrer contre un meuble ou un mur.
Égouttement	Eau s'écoulant à travers l'égouttoir au cours du cycle de dégivrage	Fonctionnement normal
Pulsations ou son aigu	Votre réfrigérateur est conçu pour fonctionner de manière plus efficace pour garder vos aliments à la bonne température. Le compresseur à haute performance peut amener votre nouveau réfrigérateur à fonctionner plus régulièrement, mais il est toujours plus économe en énergie que les anciens modèles. Il est normal d'entendre des pulsations ou un son aigu au cours du fonctionnement de votre réfrigérateur.	Fonctionnement normal

## PIÈCES &amp; FONCTIONS

Problème	Causes possibles	Solutions
Les portes ne se ferment pas complètement ou s'ouvrent toutes seules	Des emballages alimentaires bloquent la fermeture de la porte	Réorganisez les conteneurs alimentaires sur la porte et sur les étagères pour dégager la zone de fermeture
	Le bac à glace, le couvercle du bac à légume, les bacs, les étagères, les tiroirs ou les paniers ne sont pas positionnés correctement.	Poussez les bacs jusqu'au fond et placez le couvercle du bac à légume, les bacs, les étagères, les tiroirs et les paniers dans leur position normale. Veuillez consulter la section Utilisation de votre Réfrigérateur pour plus d'informations.
	Les portes ont été enlevées durant l'installation de l'appareil et n'ont pas été correctement remises en place	Enlevez et repositionnez les portes de la manière décrite dans la section Enlever et Repositionner les Poignées et les Portes du Réfrigérateur.
	Le réfrigérateur n'est pas positionné bien à l'horizontale	Veillez vous reporter à la section Alignement des Portes dans la partie Installation du Réfrigérateur pour positionner correctement celui-ci
Les portes sont difficiles à ouvrir	Les joints sont sales ou collants	Nettoyez les joints et les surfaces de contact. Frottez un chiffon avec du lustre ou de la cire pour meubles sur les joints après les avoir nettoyés
	La porte vient d'être refermée	Lorsque vous ouvrez la porte, de l'air tiède entre dans le réfrigérateur. À mesure que l'air tiède se refroidit, il peut créer un effet d'aspiration. Si la porte est difficile à ouvrir, veuillez patienter une minute pour permettre à la pression de l'air de s'équilibrer, et vérifiez que la porte s'ouvre plus facilement.
Le réfrigérateur vacille ou paraît instable	Les pieds de nivellement ne sont pas correctement ajustés	Veillez vous reporter à la section Positionnement et Alignement des Portes
	Le sol n'est pas égal	Il peut être nécessaire de placer des cales sous les pieds de nivellement pour terminer l'installation
L'éclairage ne fonctionne pas	Panne des diodes d'éclairage interne	La lampe du compartiment du réfrigérateur est une diode d'éclairage interne, et sa maintenance doit être réalisée par un technicien qualifié. Veuillez vous reporter à la section Remplacement d'une ampoule.
Le réfrigérateur possède une odeur inhabituelle	Le filtre à air doit peut-être être positionné sur la valeur MAX ou être remplacé	Positionnez le filtre à air sur la valeur MAX. Si l'odeur persiste pendant plus de 24h, le filtre doit probablement être changé. Veuillez vous reporter à la section Remplacement du Filtre à Air pour les consignes de remplacement.
L'intérieur du réfrigérateur est couvert de poussière ou de suie.	Le réfrigérateur est placé près d'une flamme ou d'un feu, comme une cheminée, un poêle à bois ou une bougie.	Contrôlez et déplacez le cas échéant le réfrigérateur pour qu'il ne soit pas à proximité d'une flamme ou d'un feu (cheminée, un poêle à bois ou une bougie).

## Kenmore Connect™ (certains modèles uniquement)

Si vous rencontrez un problème avec votre réfrigérateur, vous pouvez transmettre des informations via votre téléphone en contactant l'équipe Kenmore Connect™. Vous pourrez ainsi parler directement à l'un de nos techniciens. Le technicien enregistre les informations transmises par votre réfrigérateur et s'en sert pour analyser le problème, offrant un diagnostic rapide et efficace.

Si vous rencontrez des problèmes avec votre réfrigérateur, au aux États-Unis, composez le 1-844-553-6667. and au Canada, composez le 1-800-469-4663.

N'utilisez la fonction Kenmore Connect™ que si l'agent de l'équipe Kenmore Connect™ vous le demande.

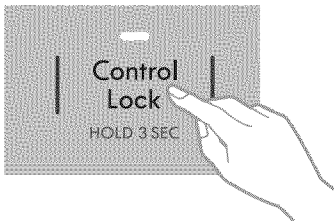
Les bruits de transmission que vous entendrez sont normaux et ressemblent à ceux émis par un fax.

La fonction Kenmore Connect™ ne peut être activée que si votre réfrigérateur est sous tension. S'il est impossible de mettre en marche votre réfrigérateur, le dépannage devra se faire sans la fonction Kenmore Connect™.

## Utilisation de la fonction Kenmore Connect™

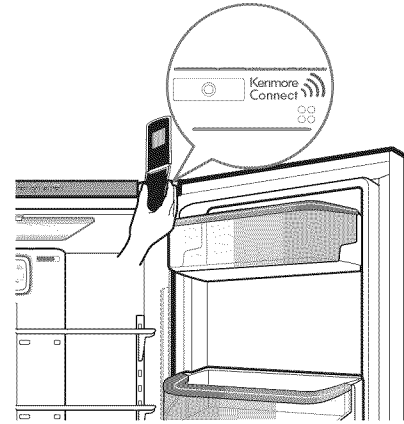
Tout d'abord, appelez le 1-844-553-6667(États-Unis) ou 1-800-469-4663(Canada). Si le numéro de téléphone que vous utilisez est enregistré et associé à votre réfrigérateur, vous serez rapidement mis en relation avec un agent de l'équipe Kenmore Connect™. N'utilisez la fonction Kenmore Connect™ que si l'agent de l'équipe Kenmore Connect™ vous le demande.

1. Verrouillez l'afficheur. Pour verrouiller l'afficheur, maintenez enfoncée la touche de verrouillage des commandes pendant 3 secondes. (Si l'afficheur est déjà verrouillé, vous devez désactiver le verrou, puis le réactiver.)

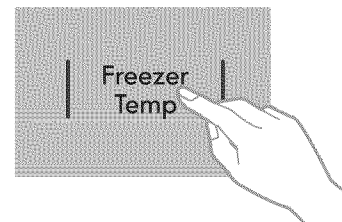


2. Ouvrez la porte droite du réfrigérateur.

3. Lorsque l'agent du centre d'appels vous le demande, maintenez le micro de votre téléphone devant le haut-parleur situé sur la charnière droite de la porte du réfrigérateur.



4. Maintenez enfoncée la touche de température du congélateur pendant trois secondes tout en maintenant votre téléphone près du haut-parleur.



5. Relâchez-la dès que vous aurez entendu trois signaux sonores.
6. Maintenez le téléphone en place jusqu'à la fin de la transmission sonore. Le temps restant est décompté dans l'afficheur. Une fois le compte à rebours et la transmission sonore terminés, reprenez votre conversation avec le technicien qui pourra alors vous aider à utiliser les informations fournies pour l'analyse.

### REMARQUE:

- Pour des résultats optimaux, ne déplacez pas le téléphone pendant la transmission des signaux sonores.
- Si l'agent du centre d'appels n'est pas en mesure d'obtenir un enregistrement précis des données, il est possible qu'il vous demande de réessayer.

# Kenmore®

For Sears Home Services in-home repair  
of all Kenmore major appliances.

For the replacement parts, accessories and  
Use & Care Guides that you need to do-it-yourself.

For professional installation of major home appliances  
and items like air conditioners and water heaters.

## 1-844-553-6667

[www.kenmore.com](http://www.kenmore.com)

In Canada 1-800-469-4663

[www.sears.ca](http://www.sears.ca)

---

Call anytime for the location of your nearest  
Sears Parts & Repair Service Center

1-800-488-1222 (U.S.A.)

1-800-469-4663 (Canada)

---

To purchase a protection agreement on a serviceable product:

1-800-827-6655 (U.S.A.)

1-800-361-6665 (Canada)

---

Para pedir servicio de reparación  
a domicilio, y ordenar piezas:

1-888-SU-HOGAR®

(1-888-784-6427)

[www.kenmore.com](http://www.kenmore.com)

Au Canada pour service en français:

1-800-LE-FOYER<sup>MC</sup>

(1-800-533-6937)

[www.sears.ca](http://www.sears.ca)

