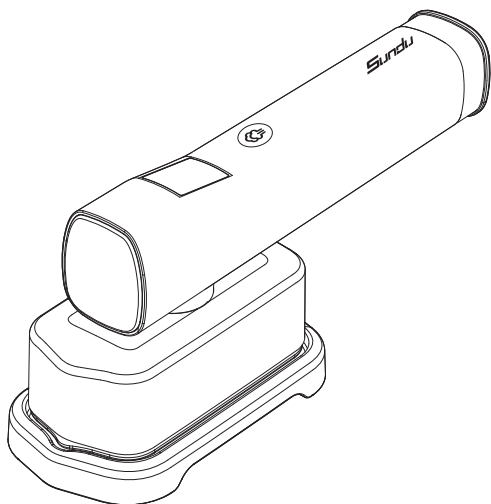


# *Sundu*



## User Manual Handheld Steamer

Thank you for choosing Sundu 2-in-1 Handheld Steamer. We strive to achieve the highest standards of quality and design. We hope you will be satisfied with your new product. If you need any help, please contact our support team and provide your product model and order number. Support and after-sales service: [support@sunduhome.com](mailto:support@sunduhome.com)

## PLEASE READ THE USER MANUAL CAREFULLY BEFORE USING THE PRODUCT.

### ■ PACKAGE CONTENTS

- 1x Sundu 2-in-1 Handheld Steamer
- 1x Heat Insulation Base
- 1x Heat-resistant Glove
- 1x Storage Bag
- 1x Measuring Cup
- 1x Instruction Manual

### ■ SPECIFICATIONS (US)

Model	LM-2401
Voltage	AC120V/60Hz
Power	1000W
Water Tank Capacity	100ml / 3.4oz
Weight	712g / 1.56lbs

### ■ SPECIFICATIONS (UK)

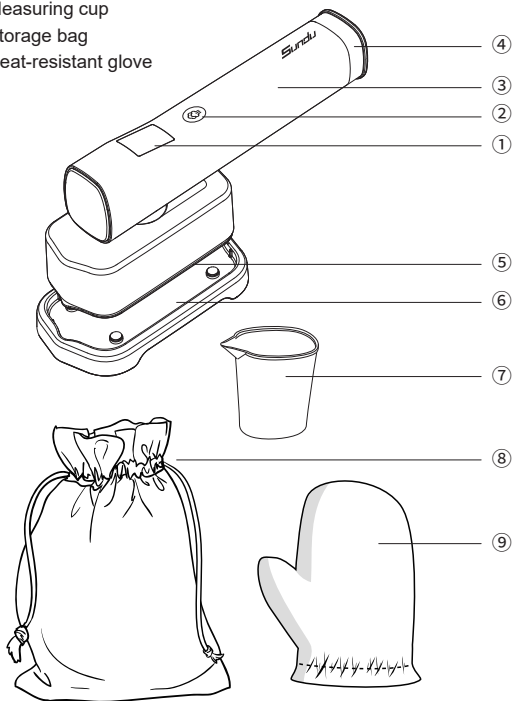
Model	LM-2401
Voltage	AC220-240V/50Hz
Power	1200-1400W
Water Tank Capacity	100ml / 3.4oz
Weight	712g / 1.56lbs

## ■ GENERAL SAFETY INSTRUCTIONS

- To ensure product quality, water test will be conducted before leaving the factory. This test may result in residual water droplets in the water tank, which is a normal occurrence, so please feel free to use it.
- Before connecting to power, please carefully inspect the plug and power cord. If the power cord is damaged, to avoid any danger, please contact **support@sunduhome.com** for a replacement.
- Avoid using other high-power electrical appliances on the same socket to prevent circuit overloading.
- Do not disassemble the product yourself, as it may cause fire, electric shock, or personal injury.
- Do not wrap the power cord around the product handle during storage, as this may lead to the power cord breaking or causing electric shock due to short-circuiting.
- Do not use the product while the power cord is tied up, as it may result in electric shock or fire.
- Do not immerse the product in water or other liquids to prevent damage.
- This product should not be used by individuals with physical, mental disabilities, lack of experience and knowledge (including children). There must be a guardian supervising and guiding the use of this product, and they are responsible for the user's safety. Keep an eye on children, ensuring they do not play with the product, as this could lead to accidents or injuries.
- Before filling with water, unplug the power plug, and ensure the power plug is dry before using the product again.
- When plugging or unplugging the plug, always hold the plug, and do not pull the power cord or operate with wet hands.
- During product operation, users should not leave. Once done, unplug the power cord plug.
- The base plate becomes very hot during product operation; do not touch to avoid burns.
- High-temperature steam is generated during product operation, which can deform or discolor heat-sensitive clothing (such as leather jackets); therefore, refrain from using such garments.
- During product operation, exercise caution against the risk of steam splashing; do not point the baseplate towards people to prevent burns.
- During product operation, avoid the power cord coming into contact with the product heated surfaces, like the baseplate.
- Do not dismantle the water tank during product operation.
- Refrain from touching the baseplate with your hands after use.
- Place the product on a stable surface for use. If the product falls, shows visible signs of damage, or leakage, discontinue use immediately.

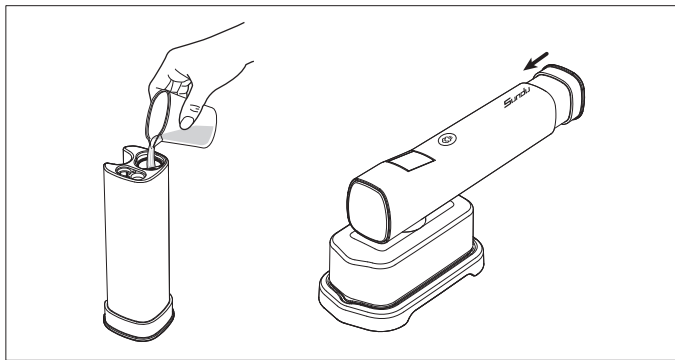
## ■ PRODUCT DETAILS

- ① Display screen
- ② Touch control button
- ③ Handle
- ④ Removable water tank
- ⑤ Ironing soleplate
- ⑥ Heat insulation base
- ⑦ Measuring cup
- ⑧ Storage bag
- ⑨ Heat-resistant glove

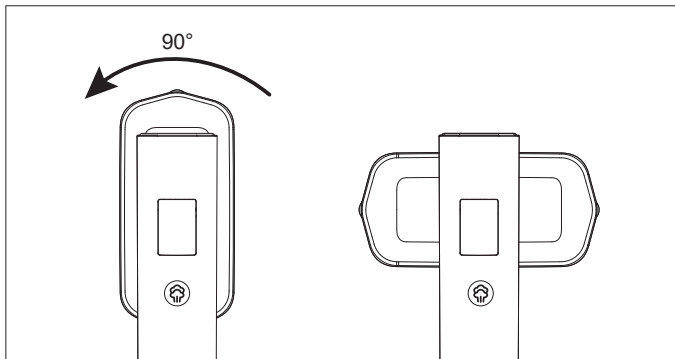



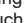
## ■ USER MANUAL

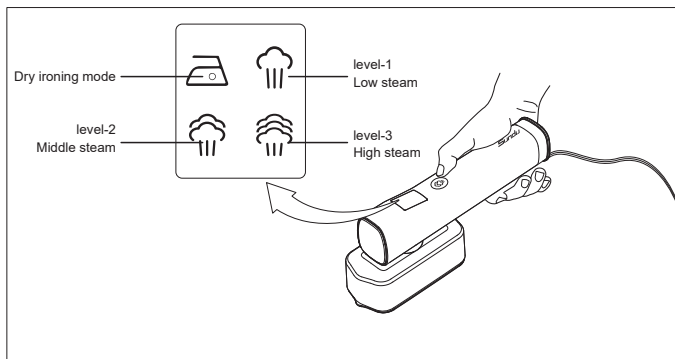
1. Fill the measuring cup with purified water, remove the water tank from the bottom, open the water inlet cover, and pour the water from the measuring cup into the water tank; close the water inlet cover and push the water tank back into the device from the bottom up.



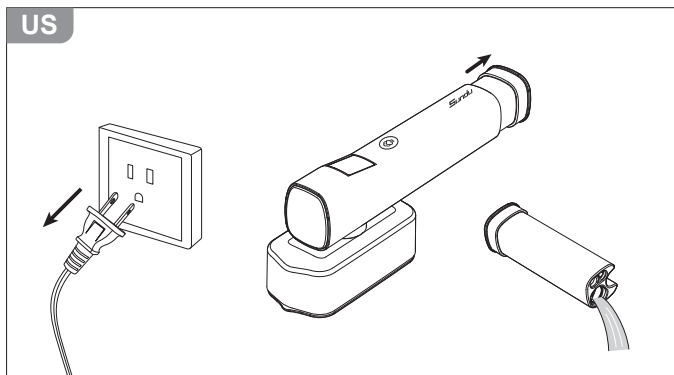
2. The top of the device can be rotated counterclockwise by 90°, please adjust according to the needs of flat ironing or hanging ironing.



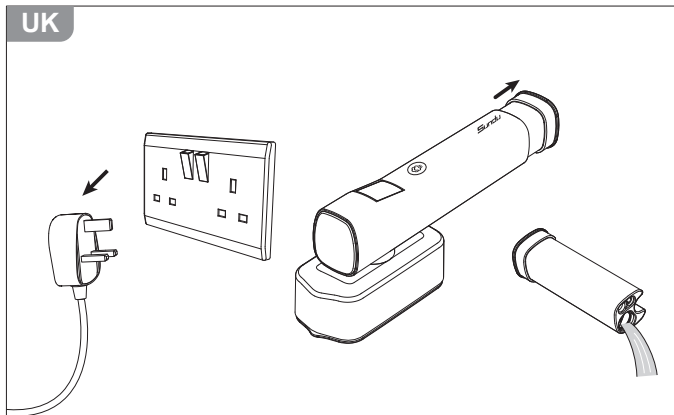
3. Connect the plug to a household outlet, and the product will start to preheat (the dry ironing icon  on the display screen will blink), after preheating is done (the dry ironing icon  on the display screen changes from blinking to steady), lightly touch the touch control button to start the steam function, then touch again to adjust the steam level.



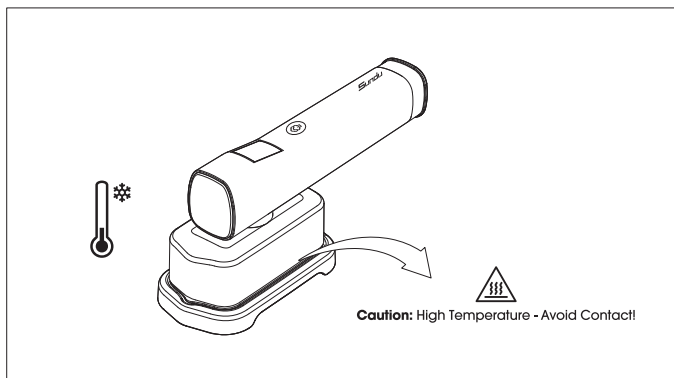
4. After use, unplug the power cord, remove the water tank, and pour out any excess water from the tank.



UK



5. After use, the iron soleplate is still at high temperature, please do not touch it to prevent burns, and place the device on the heat insulation base, let the ironing soleplate cool down completely before storage.



## ■ NOTE

- The top part of the device is rotatable; please rotate it before connecting to power and avoid rotating the device during heating to prevent burns.
- Ensure there is water in the water tank before turning on the steam function to prevent damage from long dry pumping by the water pump.
- Only start the steam function after the device has completed preheating (the dry ironing icon on the display screen changes from blinking to steady).
- When initially using the steam function, there may be some water spraying; aim the steam elsewhere for a few seconds before ironing.
- Avoid leaving the device stationary on fabric for extended periods during ironing to prevent damage to the clothes.
- Before refilling the water tank during use, remember to disconnect the power source.

## ■ CLEANING AND STORAGE

- **DO NOT** immerse the device in water or other solutions for cleaning.
- **DO NOT** add chemicals such as vinegar, detergent, saltwater solution, perfume, fabric softener, etc., to the water tank.
- To prolong the product's lifespan, use distilled or purified water when filling the water tank.
- After ironing is complete, unplug the power cord, place the device on the heat insulation base, and wait for it to cool down completely before storing.
- Store the device in a cool, dry place to prevent children from accessing it.

## ■ WARRANTY & CUSTOMER SUPPORT

For questions, support, or warranty claims, please contact our Sundu support team with your product model number and order number. Support and after-sale service: [support@sunduhome.com](mailto:support@sunduhome.com)

Please note, we can only provide after sales service for products purchased directly from. If you have purchased from a different seller, please contact them directly for service or warranty issues.

***Sundu***

**Handheld Steamer**

**E-mail: [support@sunduhome.com](mailto:support@sunduhome.com)**

**MADE IN CHINA**