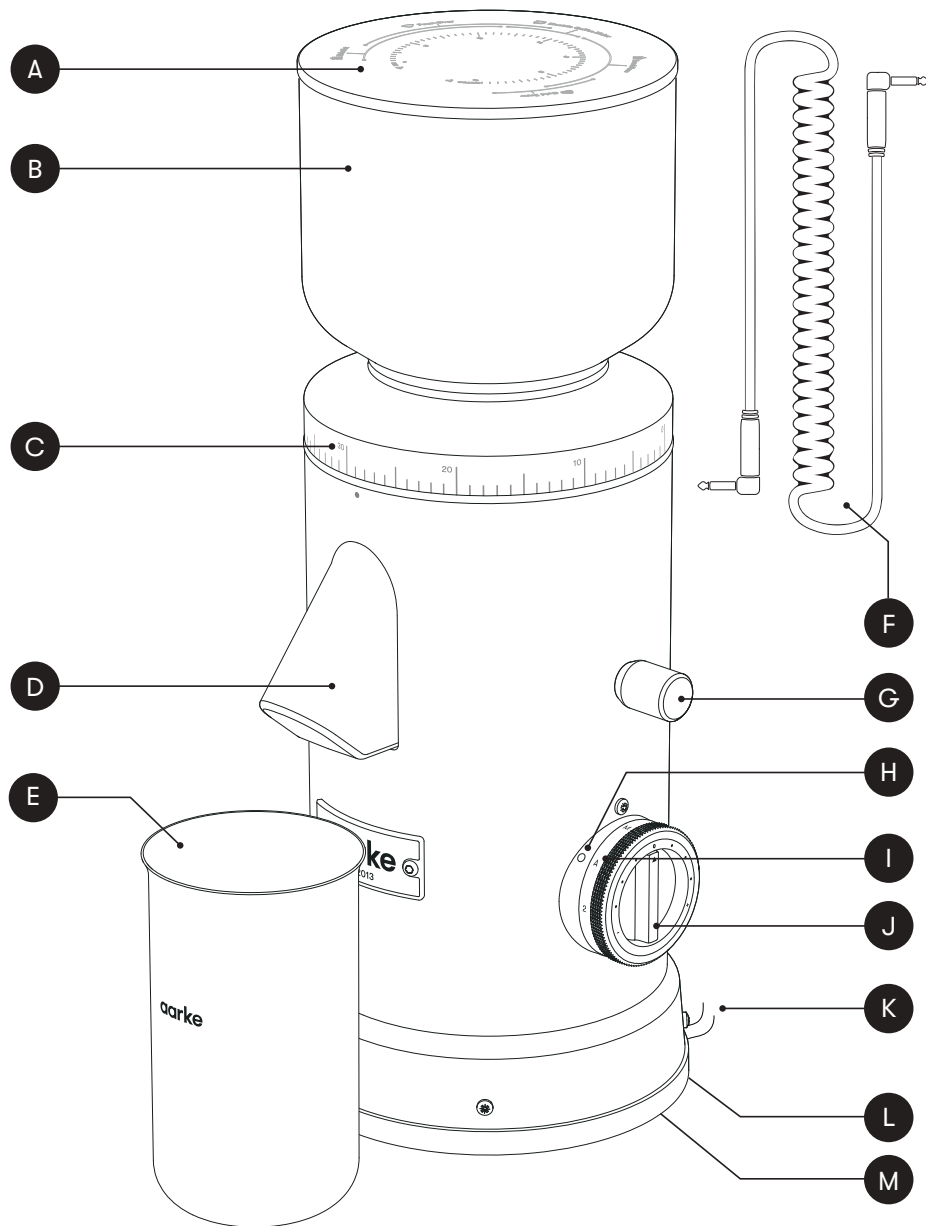


Coffee Grinder

User Guide &
Safety Instructions

aarke



English	1
Deutsch	7
Français	13
Español	19
Nederlands	25
Svenska	31
Dansk	37
Suomalainen	43
Polski	49
Português	55
Italiano	61
日本語	67
한국어	73
中文	79
العربية	85

EN INSTRUCTION MANUAL

Aarke Coffee Grinder

Model A1340 - 1352


READ THIS INSTRUCTION MANUAL CAREFULLY BEFORE USE. SAVE FOR FUTURE REFERENCE.

The graphics and drawings in this user manual are only intended as a general description of the product, and may differ from the product itself.

Components

A Glass Lid	F Aarke AutoGrind™ Connector Cord	K Power Cord
B Bean Hopper	G START/STOP Button	L Internal Cord Storage
C Grind Size Dial	H LED Indicator	M Aarke AutoGrind™ Connector
D Chute	I Cup Dial	
E Grounds Cup	J Strength Fine-tuner	

IMPORTANT SAFEGUARDS

- **WARNING!** Follow these instructions when using the appliance. Misuse may cause an electric shock or lead to other hazards.
- **WARNING!** Do not operate the appliance if it is damaged, with a damaged cord or plug, or if the appliance does not operate properly to avoid hazards. Always check the appliance before use.
- **WARNING!** Do not immerse the power cord, plug or any other part of the appliance in water or other liquids to avoid the risk of an electrical shock. 
- **WARNING!** Do not touch the grinder when it is operating.
- Do not use an adapter with this appliance.
- Never leave the grinder unattended when in use. Close supervision is necessary when the appliance is used by or near children. Do not use within the reach of children. Prevent children from pulling on the power cord or knocking over the appliance.
- This appliance must be plugged into an earthed socket to protect against the risk of an electric shock or fire.
- The appliance is designed to disconnect the live electrical supply from the element during abnormal operating conditions.
- Do not pull the cable to disconnect it from the power supply and do not unplug it with wet hands.
- Before connecting the appliance to the power supply, ensure that the voltage indicated on the rating plate located on the underside of the appliance matches the voltage in your home. If this is not the case do not use the appliance.
- The use of accessories not approved by the appliance manufacturer may result in fire, electric shock or injury.
- This appliance can be used by persons (including children aged from 8 years and above) with reduced physical, sensory or mental capabilities or lack of experience and knowledge if they have been given supervision or instruction concerning use of the appliance in a safe way and if they understand the hazards involved. Cleaning and user maintenance shall not be made by children unless they are older than 8 and supervised. Keep the appliance and its power cord out of reach of children younger than 8 years.
- Children shall not play with the appliance. If children are present while the appliance is in use, keep them at a safe distance. Prevent children from pulling on the power cord or knocking over the appliance.
- This appliance is intended to be used in household and similar applications such as: staff kitchen areas in shops, offices and other working environments; farmhouses; by clients in hotels, motels and other residential type environments; bed and breakfast type environments.
- Switch off the appliance and unplug the power cord from the socket before assembling or disassembling components and before cleaning.

- This appliance should be operated under supervision.
- Do not remove the bottom panel of the appliance. There are no user-serviceable parts inside. Repairs may only be carried out authorised personnel.
- The grinder is intended for the grinding of coffee beans. Do not put any substances other than coffee beans and grinder cleaner into the coffee grinder.
- Do not operate in the presence of explosive and/or flammable fumes.
- Check the bean hopper for foreign objects before use.
- Operate the grinder on a flat, dry surface, away from the edge of the counter to prevent it accidentally falling. Vibration during operation may cause the grinder to move.
- For proper use, operate this appliance for less than 90 seconds per time with a minimum of 90 seconds rest time maintained between a continuous two cycles.
- Do not store or use this appliance outdoors, in damp areas or in freezing temperatures.
- Do not position the appliance where it could come into contact with any source of heat, on or near a gas or electric hob, in a heated oven, or in a microwave for example.
- Keep the appliance away from water.
- Never move the appliance during operation.
- Do not let the power cord hang over the edge of tables or counter tops, and do not let it come into contact with hot surfaces.
- Be careful not to drop the appliance or let it fall over, as this could damage the appliance and/or internal components.
- Avoid spilling liquid on the power cord and/or appliance.
- After unpacking the appliance, recycle plastic bags and other packaging. Keep out of the reach of children.

SAVE THESE INSTRUCTIONS

Operating your product

Before first use

Carefully unwrap your Aarke Coffee Grinder and remove any packaging materials. Wash the bean hopper, the glass lid and the grounds cup using a mild detergent and wipe dry before use. Place the Coffee Grinder on a flat, dry surface. Position the bean hopper on top of the Coffee Grinder and turn clockwise until it is securely in place. Connect the power cord to an earthed socket.

Using the product

1. Fill the bean hopper (B) with whole roasted coffee beans. Make sure to have enough coffee beans for the amount of ground coffee that you want (~7.5 g coffee for each 125 ml cup). Place the glass lid (A) on top of the bean hopper.
2. Choose the preferred grind size between 1 and 60 on the grind size dial (C) (1= fine, 60=coarse).
3. Use the grind chart on the glass lid (A) for guidance. For more information about choosing grind size, see the chapter <Set grind size>.
4. Select the number of cups “**2**”, “**3**”, “**4**”, “**5**”, “**6**”, “**8**” or “**10**” on the Cup Dial (I).
5. You can also choose “**M**” for Manual Mode, see the chapter <Manual Mode> below or “**A**” for AutoGrind™ mode where the Coffee Grinder is connected to the Aarke Coffee Maker. See the chapter <AutoGrind™> below for more information.
6. Place the grounds cup (E), or the filter basket from your Coffee Maker below the chute (D).
7. Press the START/STOP button (G) and the Coffee Grinder will grind an amount of coffee that corresponds to the number of cups selected. While the Coffee Grinder is operating, the LED indicator (H) will flash. When the grinding cycle is finished, the LED indicator (H) will go out.

Please note:

- You can adjust the grind size to balance the flavour according to your personal taste. If you find your coffee too bitter, try a coarser grind. If it leans towards too acidic, go for a finer grind.
- The amount of ground coffee delivered might vary slightly depending on the bean's roast level and the grind size. If more precision is required, the strength tuner (J) can be used to fine tune the amount of coffee delivered.
- The Coffee Grinder has a resume grind memory. If the beans in the bean hopper run out before the grinding cycle is completed, the LED indicator (H) will flash red. Refill the bean hopper with beans and press the START/STOP button. The Coffee Grinder will now finish grinding for the time remaining for the batch already started, and the LED indicator (H) on the Coffee Grinder will flash white.

Set grind size

Before you start grinding, we recommend that you set the grind size. The grind size depends on the brewing method you want to use. Use the grind size dial (C) to set the grind size within a range of 1-60 depending on the brewing method (1 = fine, 60 = coarse). The grind chart on the glass lid (A) shows the range suitable for your brewing method. The recommended grind size range is also shown in Table 1 below.

Different coffee beans might require different grind sizes for the same brewing method. If your coffee tastes strong and bitter, change to a coarser grind size (a higher number on the dial). If the taste of your coffee is too acidic, change to a finer grind size (a lower number on the dial).

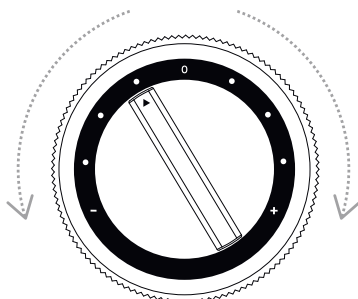
If you want to set a finer grind size than the one in use, we recommend that you grind a small amount of coffee every five steps on the grind size dial until you reach the finer grind size setting. This will prevent the motor from locking up.

	Brewing method	Range
	Moccha	10-20
	Aeropress	15-25
	Pour over	20-35
	Sifon	30-35
	Filter brewing	30-40
	Chemex	40-50
	French press	45-55
	Cold Brew	50-60

Table 1: Grind size recommendation.

Strength fine tuner

If you prefer your coffee a bit stronger or weaker, use the Strength fine tuner (J) to adjust the Coffee Grinder to grind a bit more, or less, coffee than the preset amounts. To increase the amount of coffee, turn the strength tuner to the right, towards the plus sign "+". To decrease the amount of coffee, turn it to the left, towards the minus sign "-".



Manual mode

Use Manual Mode “**M**” when you want to weigh the beans separately and place in the empty hopper for grinding (Single Dosing). When the coffee grinder is started in Manual Mode, it will run until all the beans in the bean hopper are ground and then stop automatically. The coffee grinder can also be stopped manually by pressing the START/STOP button.

Aarke AutoGrind™

The Aarke Coffee Grinder can be connected to the Aarke Coffee Maker through the Aarke AutoGrind™ Connector Cord. This allows the appliances to automatically operate together. Based on the amount of water in the Aarke Coffee Maker water tank, the Aarke Coffee Grinder will calculate and grind the corresponding amount of coffee. Scan the QR code to read more about the Aarke Coffee System™.



Connect the appliances

- Make sure both appliances are turned off and disconnected from the electrical sockets. Remove the bean hopper from the Aarke Coffee Grinder. Remove the glass carafe, the water tank lid and the filter basket from the Aarke Coffee Maker. Carefully place each appliance on its side, on a cloth or other soft material that will protect them from scratching.
- Plug one end of the Aarke AutoGrind™ Connector Cord into the Connector Cord Socket (M) under the Aarke Coffee Grinder and the other end into the Connector Cord Socket under the Aarke Coffee Maker.
- Stand both products upright and place them on a flat, dry surface. Plug each power cord into an earthed socket.

Using the Aarke AutoGrind™

1. Place the glass carafe, with its lid on, onto the Coffee Maker hot plate. Ensure that the glass carafe is clean.
2. Fill the water tank on the Coffee Maker with clean, cold water. The water tank LED on the Coffee Maker will light.
3. Place one 1x4 standard filter in the filter basket. Position the filter basket underneath the Coffee Grinder chute.
4. Fill the bean hopper (B) with whole roasted coffee beans. Make sure that there are enough coffee beans for the amount of ground coffee that you want (~7.5 g coffee for each 125 ml cup). Place the glass lid (A) on top of the bean hopper.
5. Select the preferred grind size on the grind size dial. Use the grind chart on the glass lid (A) for guidance. For more information about choosing grind size, see the chapter <Set grind size>.
6. Select AutoGrind™ mode “**A**” on the Cup Dial (I). The LED indicator (H) on the Coffee Grinder will light white. If the LED indicator (H) turns red, something is wrong with the connection. Please repeat the steps in <Connect the appliances>.
7. Press the START/STOP button (G) and the Coffee Grinder will grind an amount of coffee that corresponds to the amount of water in the water tank of the Coffee Maker. While the Coffee Grinder is operating, the LED indicator (H) will flash. When the grinding cycle is finished, the LED indicator (H) will go out.
8. Position the filter basket with the freshly ground coffee in place on the Coffee Maker.
9. Press the power button to start the Coffee Maker. The LED indicator on the Coffee Maker will light and the brewing cycle starts.
10. When the coffee is ready, the LED indicator in the water level window will go out.

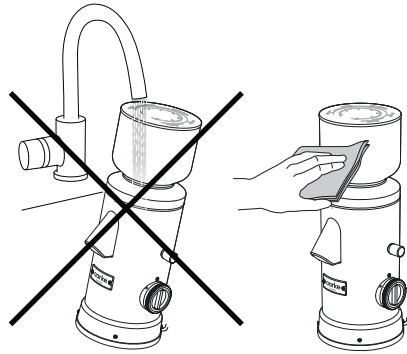
Please note:

- The strength fine tuner works in AutoGrind™ mode as well.

Cleaning and maintenance

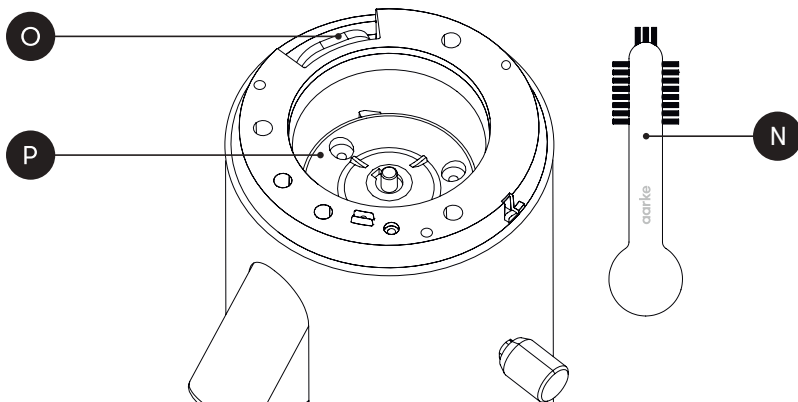
Proper cleaning and care will ensure years of use from this appliance. Clean it after each use.

- Always unplug the appliance and ensure that the parts have stopped moving before cleaning the Coffee Grinder.
- Do not immerse the appliance in water when cleaning it.
- Use a soft, damp cloth to clean the outside of the appliance. Do not clean the appliance using harsh cleaning products, steel wool pads, or other abrasive materials.
- Wash the bean hopper using mild detergent and rinse thoroughly.
- The glass lid and the grounds cup are dishwasher safe.
- Clean the grinder burrs every three months, or more often.
- When changing beans, empty any coffee residue left inside the Coffee Grinder before adding new beans to the bean hopper. First, empty the bean hopper. Put the bean hopper back onto the Coffee Grinder and turn the Cup Dial (I) to “M” and run the Coffee Grinder until it automatically stops. Repeat once.



Clean the burrs

1. Make sure that the Coffee Grinder is positioned on a flat, dry surface.
2. Unlock the bean hopper by turning it anticlockwise and remove it from the Coffee Grinder.
3. Turn the grind size dial (C) anticlockwise until it can be removed.
4. Take the cleaning brush (N) out of its compartment (O).
5. Carefully brush the flat burrs (P) using the cleaning brush, ensuring that the surfaces are clean.
6. Put the cleaning brush back into its case in the Coffee Grinder.
7. Replace the grind size dial by rotating it all the way until it stops, and then turn it back to the desired setting.
8. Position the bean hopper on the Coffee Grinder and turn clockwise until it is securely in place.
9. Attach the glass lid. The Coffee Grinder is now ready to use again.



Recycling



This symbol on the product or on its packaging indicates that the product may not be treated as household waste. To recycle your product, please take it to an official collection point that can remove and recycle electrical components safely and professionally. Separate the non-electrical parts and recycle them according to local regulations. Recycle the packaging.

Troubleshooting

For troubleshooting, please see the table below, visit aarke.com/support or scan the QR code.



Problem	Cause	Solution
The LED indicator (H) flashes red continuously.	There are not enough beans in the hopper to complete the grind.	Fill the bean hopper and press the button and the Coffee Grinder will finish grinding the batch already started.
When the START/STOP button is pressed the LED indicator (H) flashes red three times.	The Cup Dial (I) is in between modes.	Rotate the Cup Dial (I) into a mode position.
When the START/STOP button is pressed the LED indicator (H) flashes red three times.	Automatic grind mode (A) is selected but there is no connection to the Coffee Maker.	Check that the power cords are plugged into a socket and that connection cord (M) is plugged into both appliances.
The Cup Dial (I) is in automatic mode "A" and the LED indicator (H) is red.	There is no connection between the Coffee Grinder and the Coffee Maker.	Check the connection cord (F).

Customer support

When contacting Customer Service, ensure that you have the following information available: Model and Serial number. This information can be found on the rating label, on the underside of the Coffee Grinder. Due to the Aarke policy of continual product development, the specifications, colours, and details of our products and those mentioned in this manual are subject to change without notice.

For support, please visit aarke.com/support or send an email to support@aarke.com.

Aarke Coffee Grinder

Modell A1340 - 1352


LESEN SIE DIESE BEDIENUNGSANLEITUNG VOR DEM GEBRAUCH SORGFÄLTIG DURCH. ZUR SPÄTEREN VERWENDUNG AUFBEWAHREN.

Die Grafiken und Zeichnungen in dieser Bedienungsanleitung dienen nur als allgemeine Beschreibung des Produkts und können vom Produkt selbst abweichen.

Bestandteile

A Glasdeckel	F Aarke AutoGrind™ Connector Cord	K Netzkabel
B Bohnenbehälter	G START/STOP-Taste	L Interne Kabelaufbewahrung
C Mahlgradregler	H LED-Anzeige	M Aarke AutoGrind™ Connector
D Rutsche	I Tassenvorwahl	
E Pulvertasse	J Stärke Feinabstimmung	

WICHTIGE SICHERHEITSVORKEHRUNGEN

- **WARNHINWEIS!** Befolgen Sie diese Anweisungen bei der Verwendung des Geräts. Eine unsachgemäße Verwendung kann zu einem Stromschlag oder anderen Gefährdungen führen.
- **WARNHINWEIS!** Nehmen Sie das Gerät nicht in Betrieb, wenn es beschädigt ist, wenn Kabel oder Stecker beschädigt sind oder wenn das Gerät nicht ordnungsgemäß funktioniert, um Gefahren zu vermeiden. Überprüfen Sie das Gerät immer vor der Benutzung.
- **WARNHINWEIS!** Tauchen Sie das Netzkabel, den Stecker oder andere Teile des Geräts nicht in Wasser oder andere Flüssigkeiten, um das Risiko eines Stromschlags zu vermeiden. 
- **WARNHINWEIS!** Berühren Sie die Kaffeemühle nicht, wenn sie in Betrieb ist.
- Verwenden Sie keinen Adapter für dieses Gerät.
- Lassen Sie die Kaffeemühle während des Gebrauchs niemals unbeaufsichtigt. Wenn das Gerät von Kindern oder in der Nähe von Kindern benutzt wird, ist eine strenge Überwachung erforderlich. Nicht in der Reichweite von Kindern verwenden. Verhindern Sie, dass Kinder am Netzkabel ziehen oder das Gerät umstoßen.
- Dieses Gerät muss an eine geerdete Steckdose angeschlossen werden, um das Risiko eines Stromschlags oder eines Brandes zu vermeiden.
- Das Gerät ist so konstruiert, dass bei abnormalen Betriebsbedingungen die Stromzufuhr unterbrochen wird.
- Ziehen Sie nicht am Kabel, um es von der Stromversorgung zu trennen, und stecken Sie es nicht mit nassen Händen aus.
- Bevor Sie das Gerät an das Stromnetz

anschließen, vergewissern Sie sich, dass die auf dem Typenschild auf der Unterseite des Geräts angegebene Spannung mit der Spannung in Ihrem Haus übereinstimmt. Ist dies nicht der Fall, darf das Gerät nicht verwendet werden.

- Die Verwendung von Zubehör, das nicht vom Hersteller des Geräts zugelassen ist, kann zu Bränden, Stromschlägen oder Verletzungen führen.
- Dieses Gerät kann von Personen (einschließlich Kindern ab 8 Jahren) mit eingeschränkten körperlichen, sensorischen oder geistigen Fähigkeiten oder mangelnder Erfahrung und Kenntnis benutzt werden, wenn sie beaufsichtigt oder bezüglich des sicheren Gebrauchs des Geräts unterwiesen wurden und die damit verbundenen Gefahren verstehen. Reinigung und Benutzerwartung dürfen nicht von Kindern durchgeführt werden, es sei denn, sie sind älter als 8 Jahre und werden beaufsichtigt. Bewahren Sie das Gerät und sein Netzkabel außerhalb der Reichweite von Kindern unter 8 Jahren auf.
- Kinder dürfen nicht mit dem Gerät spielen. Wenn Kinder anwesend sind, während das Gerät in Betrieb ist, achten Sie auf einen sicheren Abstand. Verhindern Sie, dass Kinder am Netzkabel ziehen oder das Gerät umstoßen.
- Dieses Gerät ist für die Verwendung in Haushalten und ähnlichen Bereichen vorgesehen, wie z. B.: Personalküchen in Geschäften, Büros und anderen Arbeitsumgebungen; Bauernhöfe; von Kunden in Hotels, Motels und anderen Wohnumgebungen; Pensionen und Gästezimmer.
- Schalten Sie das Gerät aus und ziehen Sie den Netzstecker aus der Steckdose, bevor Sie Bestandteile montieren oder demontieren und bevor Sie es reinigen.
- Dieses Gerät ist unter Aufsicht zu betreiben.
- Entfernen Sie nicht die Bodenplatte des Geräts. Im Inneren befinden sich keine vom Benutzer zu wartenden Teile. Reparaturen dürfen nur von

- autorisiertem Personal durchgeführt werden.
- Die Mühle ist für das Mahlen von Kaffeebohnen bestimmt. Geben Sie keine anderen Substanzen als Kaffeebohnen und Mahlwerkreiniger in die Kaffeemühle.
 - Nicht in Gegenwart von explosiven und/oder entflammaren Dämpfen arbeiten.
 - Überprüfen Sie den Bohnenbehälter vor dem Gebrauch auf Fremdkörper.
 - Betreiben Sie die Kaffeemühle auf einer ebenen, trockenen Fläche und nicht an der Kante der Arbeitsplatte, damit sie nicht versehentlich herunterfällt. Vibrationen während des Betriebs können dazu führen, dass sich die Kaffeemühle bewegt.
 - Um einen ordnungsgemäßen Betrieb zu gewährleisten, darf das Gerät nicht länger als 90 Sekunden pro Durchgang betrieben werden, wobei zwischen zwei aufeinanderfolgenden Zyklen mindestens 90 Sekunden Ruhezeit einzuhalten sind.
 - Lagern oder verwenden Sie das Gerät nicht im Freien, in feuchten Bereichen oder bei Temperaturen unter dem Gefrierpunkt.
 - Stellen Sie das Gerät nicht an einem Ort auf, an dem es mit einer Wärmequelle in Berührung kommen könnte, z. B. auf oder in der Nähe eines Gas- oder Elektroherds, in einem beheizten Ofen oder in einer Mikrowelle.
 - Halten Sie das Gerät von Wasser fern.
 - Bewegen Sie das Gerät niemals während des Betriebs.
 - Lassen Sie das Netzkabel nicht über die Kante von Tischen oder Arbeitsplatten hängen, und achten Sie darauf, dass es nicht mit heißen Oberflächen in Berührung kommt.
 - Achten Sie darauf, das Gerät nicht fallen zu lassen, da dies zu einer Beschädigung des Geräts und/oder der internen Komponenten führen kann.
 - Vermeiden Sie das Verschütten von Flüssigkeiten auf das Netzkabel und/oder das Gerät.
 - Recyceln Sie nach dem Auspacken des Geräts Plastiktüten und andere Verpackungen. Außerhalb der Reichweite von Kindern aufbewahren.

BEWAHREN SIE DIESE ANLEITUNG SORGFÄLTIG AUF

Bedienung Ihres Produkts

Vor dem ersten Gebrauch

Packen Sie Ihren Aarke Coffee Grinder vorsichtig aus und entfernen Sie das Verpackungsmaterial. Waschen Sie den Bohnenbehälter, den Glasdeckel und die Pulvertasse mit einem milden Reinigungsmittel und wischen Sie sie vor dem Gebrauch trocken. Stellen Sie die Kaffeemühle auf eine ebene, trockene Fläche. Setzen Sie den Bohnenbehälter oben auf die Kaffeemühle und drehen Sie ihn im Uhrzeigersinn, bis er fest sitzt. Schließen Sie das Netzkabel an eine geerdete Steckdose an.

Verwendung des Produkts

1. Füllen Sie den Bohnenbehälter (B) mit ganzen gerösteten Kaffeebohnen. Achten Sie darauf, dass Sie genügend Kaffeebohnen für die gewünschte Menge an gemahlenem Kaffee haben (~7,5 g Kaffee pro 125 ml Tasse). Setzen Sie den Glasdeckel (A) auf den Bohnenbehälter.
2. Wählen Sie den gewünschten Mahlgrad zwischen 1 und 60 auf dem Mahlgradregler (C) (1= fein, 60= grob).
3. Orientieren Sie sich an der Mahlgradtabelle auf dem Glasdeckel (A). Weitere Informationen zur Wahl des Mahlgrads finden Sie im Kapitel <Mahlgrad einstellen>.
4. Wählen Sie die Anzahl der Tassen "**2**", "**3**", "**4**", "**5**", "**6**", "**8**" oder "**10**" auf der Tassenvorwahl (I).
5. Sie können auch "**M**" für den manuellen Modus wählen, siehe Kapitel <Manueller Modus> unten oder "**A**" für den AutoGrind™-Modus, bei dem der Aarke Coffee Grinder an den Aarke Coffee Maker angeschlossen ist. Weitere Informationen finden Sie im Kapitel <AutoGrind™> unten.
6. Stellen Sie die Pulvertasse (E) oder den Filterkorb Ihrer Kaffeemaschine unter den Einfüllschacht (D).
7. Drücken Sie die START/STOP-Taste (G) und die Kaffeemühle mahlt die Menge Kaffee, die der gewählten Tassenanzahl entspricht. Während die Kaffeemühle in Betrieb ist, blinkt die LED-Anzeige (H). Wenn der Mahlvorgang beendet ist, erlischt die LED-Anzeige (H).

Bitte beachten:

- Sie können den Mahlgrad einstellen, um den Geschmack nach Ihren persönlichen Präferenzen einzustellen. Wenn Sie Ihren Kaffee zu bitter finden, versuchen Sie es mit einem größeren Mahlgrad. Wenn er zu säuerlich ist, sollte er feiner gemahlen werden.
- Die gelieferte Menge an gemahlenem Kaffee kann je nach Röstgrad der Bohne und Mahlgrad leicht variieren. Wenn mehr Präzision erforderlich ist, kann die Kaffeemenge mit dem Stärkeeinsteller (J) fein eingestellt werden.
- Die Kaffeemühle hat einen Speicher für den Mahlgrad. Wenn die Bohnen im Bohnenbehälter aufgebraucht sind, bevor der Mahlvorgang abgeschlossen ist, blinkt die LED-Anzeige (H) rot. Füllen Sie den Bohnenbehälter mit Bohnen und drücken Sie die START/STOP-Taste. Die Kaffeemühle beendet nun den Mahlvorgang für die verbleibende Zeit der bereits gestarteten Charge und die LED-Anzeige (H) an der Kaffeemühle blinkt weiß.

Mahlgrad einstellen

Bevor Sie mit dem Mahlen beginnen, empfehlen wir Ihnen, den Mahlgrad einzustellen. Der Mahlgrad hängt von der gewünschten Zubereitungsmethode ab. Verwenden Sie den Mahlgradregler (C), um den Mahlgrad je nach Zubereitungsart in einem Bereich von 1-60 einzustellen (1 = fein, 60 = grob). Die Mahlgradtabelle auf dem Glasdeckel (A) zeigt den für Ihre Zubereitungsmethode geeigneten Bereich an. Der empfohlene Mahlgradbereich ist auch in Tabelle 1 unten angegeben.

Unterschiedliche Kaffeebohnen können für dieselbe Brühmethode unterschiedliche Mahlgrade erfordern. Wenn Ihr Kaffee stark und bitter schmeckt, stellen Sie einen größeren Mahlgrad ein (eine höhere Zahl auf der Skala). Wenn Ihr Kaffee zu säuerlich schmeckt, stellen Sie einen feineren Mahlgrad ein (eine niedrigere Zahl auf der Skala).

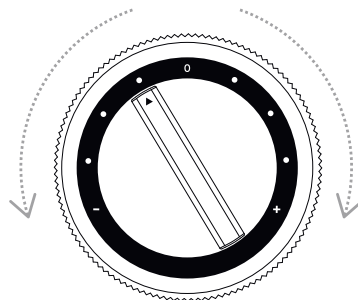
Wenn Sie einen feineren Mahlgrad als den verwendeten einstellen möchten, empfehlen wir Ihnen, alle fünf Stufen des Mahlgradreglers eine kleine Kaffeemenge zu mahlen, bis Sie die feinere Mahlgradeinstellung erreicht haben. Dadurch wird verhindert, dass der Motor blockiert.

	Brühverfahren	Bereich
	Mokka	10-20
	Aeropress	15-25
	Handfilterung	20-35
	Sifon	30-35
	Filterbrühen	30-40
	Chemex	40-50
	Französische Presse	45-55
	Kaltbrühen	50-60

Tabelle 1: Mahlgradempfehlung.

Stärke Feinabstimmung

Wenn Sie Ihren Kaffee etwas stärker oder schwächer bevorzugen, verwenden Sie die Feinabstimmung für die Kaffeestärke (J), um die Kaffeemühle so einzustellen, dass sie etwas mehr oder weniger Kaffee mahlt als die voreingestellten Mengen. Um die Kaffeemenge zu erhöhen, drehen Sie den Regler für die Kaffeestärke nach rechts, in Richtung des Pluszeichens "+". Um die Kaffeemenge zu verringern, drehen Sie ihn nach links, in Richtung des Minuszeichens "-".



Manueller Modus

Verwenden Sie den manuellen Modus **"M"** wenn Sie die Bohnen einzeln abwägen und in den leeren Behälter zum Mahlen geben möchten (Einzeldosierung). Wenn die Kaffeemühle im manuellen Modus gestartet wird, läuft sie, bis alle Bohnen im Bohnenbehälter gemahlen sind, und stoppt dann automatisch. Die Kaffeemühle kann auch manuell durch Drücken der Taste START/STOP gestoppt werden.

Aarke AutoGrind™

Der Aarke Coffee Grinder kann mit dem Aarke Coffee Maker über das Verbindungskabel Aarke AutoGrind™ Connector Cord verbunden werden. Dadurch können die Geräte automatisch zusammen betrieben werden. Anhand der Wassermenge im Wassertank des Aarke Coffee Maker berechnet und mahlt der Aarke Coffee Grinder die entsprechende Kaffeemenge. Scannen Sie den QR-Code, um mehr über das Aarke Coffee System™ zu erfahren.



Verbinden der Geräte

- Vergewissern Sie sich, dass beide Geräte ausgeschaltet und von den Steckdosen abgezogen sind. Nehmen Sie den Bohnenbehälter aus dem Aarke Coffee Grinder. Nehmen Sie die Glaskaraffe, den Wassertankdeckel und den Filterkorb aus dem Aarke Coffee Maker. Legen Sie jedes Gerät vorsichtig auf die Seite, auf ein Tuch oder ein anderes weiches Material, das vor Kratzern schützt.
- Stecken Sie ein Ende des Aarke AutoGrind™ Connector Cord in die Anschlusskabelbuchse (M) unter dem Aarke Coffee Grinder und das andere Ende in die Connector Cord-Buchse unter dem Aarke Coffee Maker.
- Stellen Sie beide Produkte aufrecht hin und legen Sie sie auf eine ebene, trockene Fläche. Stecken Sie jedes Netzkabel in eine geerdete Steckdose.

Verwendung von Aarke AutoGrind™

1. Stellen Sie die Glaskaraffe mit dem Deckel auf die Warmhalteplatte der Kaffeemaschine. Vergewissern Sie sich, dass die Glaskaraffe sauber ist.
2. Füllen Sie den Wassertank der Kaffeemaschine mit sauberem, kaltem Wasser. Die LED des Wassertanks an der Kaffeemaschine leuchtet auf.
3. Legen Sie einen 1x4 Standardfilter in den Filterkorb. Setzen Sie den Filterkorb unter den Einfüllschacht der Kaffeemühle.
4. Füllen Sie den Bohnenbehälter (B) mit ganzen gerösteten Kaffeebohnen. Vergewissern Sie sich, dass genügend Kaffeebohnen für die gewünschte Menge gemahlene Kaffees vorhanden sind (ca. 7,5 g Kaffee pro 125 ml Tasse). Setzen Sie den Glasdeckel (A) auf den Bohnenbehälter.
5. Wählen Sie den gewünschten Mahlgrad mit dem Mahlgradregler. Orientieren Sie sich an der Mahlgradtabelle auf dem Glasdeckel (A). Weitere Informationen zur Wahl des Mahlgrads finden Sie im Kapitel <Mahlgrad einstellen>.
6. Wählen Sie den AutoGrind™-Modus **"A"** auf der Tassenvorwahl (I). Die LED-Anzeige (H) an der Kaffeemühle leuchtet weiß. Wenn die LED-Anzeige (H) rot leuchtet, ist etwas mit der Verbindung nicht in Ordnung. Bitte wiederholen Sie die Schritte unter <Verbinden der Geräte>.
7. Drücken Sie die START/STOP-Taste (G) und die Kaffeemühle mahlt eine Kaffeemenge, die der Wassermenge im Wassertank der Kaffeemaschine entspricht. Während die Kaffeemühle in Betrieb ist, blinkt die LED-Anzeige (H). Wenn der Mahlvorgang beendet ist, erlischt die LED-Anzeige (H).
8. Setzen Sie den Filterkorb mit dem frisch gemahlene Kaffee in die Kaffeemaschine ein.
9. Drücken Sie die Einschalttaste, um die Kaffeemaschine zu starten. Die LED-Anzeige an der Kaffeemaschine leuchtet auf und der Brühvorgang beginnt.
10. Wenn der Kaffee fertig ist, erlischt die LED-Anzeige im Wasserstandsfenster.

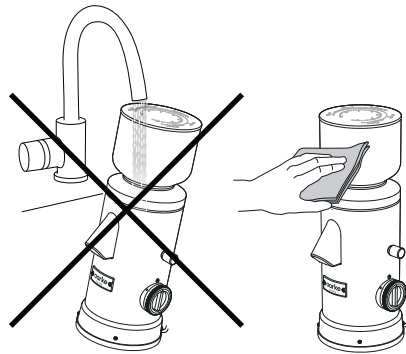
Bitte beachten:

- Die Feinabstimmung der Stärke funktioniert auch im AutoGrind™-Modus.

Reinigung und Wartung

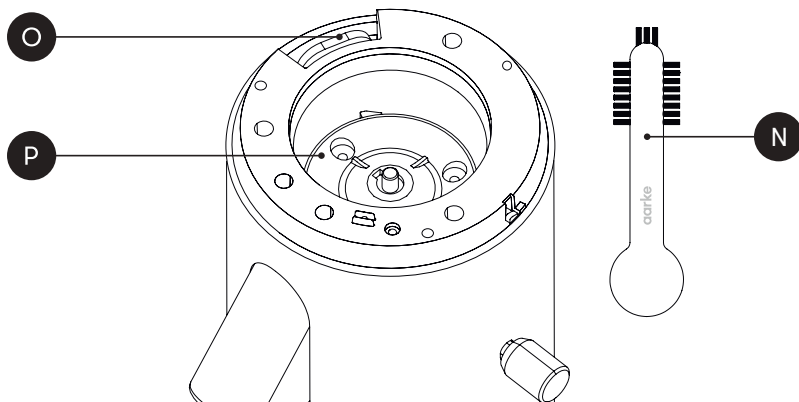
Eine ordnungsgemäße Reinigung und Pflege gewährleistet eine langjährige Nutzung dieses Geräts. Reinigen Sie es nach jedem Gebrauch.

- Ziehen Sie immer den Netzstecker und vergewissern Sie sich, dass sich die Teile nicht mehr bewegen, bevor Sie die Kaffeemühle reinigen.
- Tauchen Sie das Gerät bei der Reinigung nicht in Wasser ein.
- Verwenden Sie ein weiches, feuchtes Tuch, um die Außenseite des Geräts zu reinigen. Reinigen Sie das Gerät nicht mit scharfen Reinigungsmitteln, Stahlwolle oder anderen scheuernden Materialien.
- Waschen Sie den Bohnenbehälter mit einem milden Reinigungsmittel und spülen Sie ihn gründlich aus.
- Der Glasdeckel und die Pulvertasse sind spülmaschinenfest.
- Reinigen Sie die Grate des Mahlwerks alle drei Monate oder öfter.
- Entfernen Sie beim Bohnenwechsel alle in der Kaffeemühle verbliebenen Kaffeereste, bevor Sie neue Bohnen in den Bohnenbehälter geben. Leeren Sie zunächst den Bohnenbehälter. Setzen Sie den Bohnenbehälter wieder auf die Kaffeemühle, drehen Sie die Tassenvorwahl (I) auf "M" und lassen Sie die Kaffeemühle laufen, bis sie automatisch stoppt. Wiederholen Sie den Vorgang einmal.



Reinigen der Grate

1. Achten Sie darauf, dass die Kaffeemühle auf einer ebenen, trockenen Fläche steht.
2. Entriegeln Sie den Bohnenbehälter, indem Sie ihn gegen den Uhrzeigersinn drehen, und nehmen Sie ihn aus der Kaffeemühle.
3. Drehen Sie den Mahlgradregler (C) gegen den Uhrzeigersinn, bis er sich abnehmen lässt.
4. Nehmen Sie die Reinigungsbürste (N) aus ihrem Fach (O).
5. Bürsten Sie die flachen Grate (P) mit der Reinigungsbürste vorsichtig ab und achten Sie darauf, dass die Oberflächen sauber sind.
6. Legen Sie die Reinigungsbürste zurück in das Gehäuse in der Kaffeemühle.
7. Drehen Sie den Mahlgradregler bis zum Anschlag und stellen Sie ihn dann wieder auf die gewünschte Einstellung.
8. Setzen Sie den Bohnenbehälter auf die Kaffeemühle und drehen Sie ihn im Uhrzeigersinn, bis er fest sitzt.
9. Bringen Sie den Glasdeckel an. Die Kaffeemühle ist nun wieder einsatzbereit.



Recycling



Dieses Symbol auf dem Produkt oder der Verpackung bedeutet, dass das Produkt nicht als Haushaltsabfall behandelt werden darf. Um Ihr Produkt zu recyceln, bringen Sie es bitte zu einer offiziellen Sammelstelle, die elektrische Bauteile sicher und fachgerecht ausbauen und recyceln kann. Trennen Sie die nicht-elektrischen Teile und recyceln Sie sie entsprechend den örtlichen Vorschriften. Recyceln Sie die Verpackung.

Problembehandlung

Informationen zur Problembehandlung finden Sie in der Tabelle unten, auf aarke.com/support oder durch Scannen des QR-Codes.



Problem	Ursache	Lösung
Die LED-Anzeige (H) blinkt ständig rot.	Es befinden sich nicht genügend Bohnen im Behälter, um den Mahlvorgang abzuschließen.	Füllen Sie den Bohnenbehälter und drücken Sie die Taste. Die Kaffeemühle mahlt die bereits begonnene Charge zu Ende.
Wenn die START/STOP-Taste gedrückt wird, blinkt die LED-Anzeige (H) dreimal rot.	Die Tassenvorwahl (I) befindet sich zwischen den Modi.	Drehen Sie die Tassenvorwahl (I) in eine Modusposition.
Wenn die START/STOP-Taste gedrückt wird, blinkt die LED-Anzeige (H) dreimal rot.	Der automatische Mahlmodus (A) ist ausgewählt, aber es besteht keine Verbindung zur Kaffeemaschine.	Vergewissern Sie sich, dass die Netzkabel in eine Steckdose eingesteckt sind und dass das Anschlusskabel (M) in beide Geräte eingesteckt ist.
Die Tassenvorwahl (I) befindet sich im automatischen Modus "A" und die LED-Anzeige (H) leuchtet rot.	Es gibt keine Verbindung zwischen der Kaffeemühle und der Kaffeemaschine.	Überprüfen Sie das Anschlusskabel (F).

Kundensupport

Wenn Sie sich an den Kundendienst wenden, halten Sie bitte die folgenden Informationen bereit: Modell- und Seriennummer. Diese Informationen finden Sie auf dem Typenschild an der Unterseite der Kaffeemühle. Aufgrund der kontinuierlichen Produktentwicklung bei Aarke können sich die Spezifikationen, Farben und Details unserer Produkte und der in diesem Handbuch genannten Produkte ohne vorherige Ankündigung ändern.

Support erhalten Sie unter aarke.com/support oder per E-Mail an support@aarke.com.

FR MANUEL D'INSTRUCTIONS

Aarke Coffee Grinder

Modèle A1340 - 1352

FR


LISEZ ATTENTIVEMENT CE MANUEL D'INSTRUCTIONS AVANT UTILISATION. À CONSERVER POUR RÉFÉRENCE ULTÉRIEURE.

Les graphiques et les dessins de ce manuel d'utilisation sont uniquement destinés à fournir une description générale du produit et peuvent différer du produit lui-même.

Composants

A couvercle en verre	F Aarke AutoGrind™ Connector Cord	K Cordon d'alimentation
B Réservoir à grains	G Bouton START/STOP	L Rangement interne du cordon
C Couronne de mouture	H Voyant LED	M Aarke AutoGrind™ Connector
D Sortie	I Molette du nombre de tasses	
E Bac à café moulu	J Molette de réglage de la force	

MISES EN GARDE IMPORTANTES

- ATTENTION !** Suivez ces instructions lorsque vous utilisez l'appareil. Une mauvaise utilisation peut provoquer un choc électrique ou entraîner d'autres dangers.
- ATTENTION !** Ne pas faire fonctionner l'appareil s'il est endommagé, si le cordon ou la fiche est endommagé, ou si l'appareil ne fonctionne pas correctement afin d'éviter tout danger. Vérifiez toujours l'appareil avant de l'utiliser.
- ATTENTION !** Ne plongez pas le cordon d'alimentation, la fiche ou toute autre partie de l'appareil dans l'eau ou dans d'autres liquides afin d'éviter tout risque d'électrocution. 
- ATTENTION !** Ne touchez pas le moulin à café lorsqu'il fonctionne.
- N'utilisez pas d'adaptateur avec cet appareil.
- Ne laissez jamais le moulin à café sans surveillance lors de son utilisation. Une surveillance étroite est nécessaire lorsque l'appareil est utilisé par des enfants ou à proximité de ceux-ci. Ne l'utilisez pas à portée des enfants. Empêchez les enfants de tirer sur le cordon d'alimentation ou de renverser l'appareil.
- Cet appareil doit être branché dans une prise de courant reliée à la terre afin d'éviter tout risque d'électrocution ou d'incendie.
- L'appareil est conçu pour déconnecter l'alimentation électrique en cas de conditions de fonctionnement anormales.
- Ne tirez pas sur le câble pour le débrancher de l'alimentation électrique et ne le débranchez pas avec des mains mouillées.
- Avant de raccorder l'appareil à l'alimentation électrique, assurez-vous que la tension indiquée sur la plaque signalétique située sous l'appareil correspond à celle de votre domicile. Si ce n'est pas le cas, n'utilisez pas l'appareil.
- L'utilisation d'accessoires non approuvés par le fabricant de l'appareil peut provoquer un incendie, une électrocution ou des blessures.
- Cet appareil peut être utilisé par des personnes (y compris des enfants âgés de 8 ans et plus) dont les capacités physiques, sensorielles ou mentales sont réduites ou qui manquent d'expérience et de connaissances, à condition qu'elles aient bénéficié d'une surveillance ou d'instructions concernant l'utilisation de l'appareil en toute sécurité et qu'elles comprennent les risques encourus. Le nettoyage et l'entretien par l'utilisateur ne doivent pas être effectués par des enfants, sauf s'ils ont plus de 8 ans et sont sous surveillance. Gardez l'appareil et son cordon d'alimentation hors de portée des enfants de moins de 8 ans.
- Les enfants ne doivent pas jouer avec l'appareil. Si des enfants sont présents lorsque l'appareil est en cours d'utilisation, gardez-les à une distance de sécurité. Empêchez les enfants de tirer sur le cordon d'alimentation ou de renverser l'appareil.
- Cet appareil est destiné à être utilisé dans des applications domestiques et similaires telles que : cuisines du personnel dans les magasins, les bureaux et autres environnements de travail ; fermes ; clients dans les hôtels, les motels et autres environnements de type résidentiel ; environnements de type chambres d'hôtes.
- Éteignez l'appareil et débranchez le cordon d'alimentation de la prise de courant avant de monter ou de démonter des composants et avant de les nettoyer.
- Cet appareil doit être utilisé sous surveillance.
- Ne retirez pas le panneau inférieur de l'appareil. L'appareil ne contient pas de pièces susceptibles d'être réparées par l'utilisateur. Les réparations

- sont exclusivement réservées à un personnel autorisé.
- Le moulin est destiné à mouliner les grains de café. Ne mettez pas d'autres substances que des grains de café et du nettoyant pour moulin dans le Coffee Grinder.
 - Ne l'utilisez pas en présence de fumées explosives et/ou inflammables.
 - Avant toute utilisation, vérifiez que le réservoir à grains ne contient pas de corps étrangers.
 - Utilisez le moulin sur une surface plane et sèche, à un emplacement éloigné du bord du comptoir pour éviter toute chute accidentelle. Les vibrations pendant le fonctionnement peuvent entraîner un déplacement du moulin.
 - Pour une utilisation correcte, faites fonctionner cet appareil pendant moins de 90 secondes à chaque fois, avec un minimum de 90 secondes de repos entre deux cycles continus.
 - Ne stockez pas ou n'utilisez pas cet appareil à l'extérieur, dans des endroits humides ou à des températures négatives.
 - Ne placez pas l'appareil dans un endroit où il pourrait entrer en contact avec une source de chaleur, sur ou près d'une plaque de cuisson électrique ou à gaz, dans un four chauffé ou dans un micro-ondes par exemple.
 - Tenez l'appareil à l'écart de l'eau.
 - Ne déplacez jamais l'appareil pendant son fonctionnement.
 - Ne laissez pas le cordon d'alimentation pendre au bord d'une table ou d'un comptoir et ne le laissez pas entrer en contact avec des surfaces chaudes.
 - Veillez à ne pas laisser tomber l'appareil ou à ne pas le faire basculer, car cela pourrait endommager l'appareil et/ou ses composants internes.
 - Évitez de renverser du liquide sur le cordon d'alimentation et/ou l'appareil.
 - Après avoir déballé l'appareil, recyclez les sacs en plastique et autres emballages. Tenir hors de portée des enfants.

CONSERVER CES INSTRUCTIONS

Fonctionnement de votre produit

Avant la première utilisation

Déballer soigneusement votre Aarke Coffee Grinder et retirez tous les matériaux d'emballage. Lavez le réservoir à grains, le couvercle en verre et le bac à café moulu à l'aide d'un détergent doux et essuyez-les avant de les utiliser. Placez le Coffee Grinder sur une surface plane et sèche. Placez le réservoir à grains sur la partie supérieure du Coffee Grinder et tournez-le dans le sens des aiguilles d'une montre jusqu'à ce qu'il soit bien en place. Branchez le cordon d'alimentation sur une prise de courant reliée à la terre.

Utilisation du produit

1. Remplissez le réservoir à grains (B) de grains de café torréfiés entiers. Veillez à verser suffisamment de grains de café pour obtenir la quantité de café moulu souhaitée (env. 7,5 g de café par tasse de 125 ml). Placez le couvercle en verre (A) sur le réservoir à grains.
2. Choisissez la taille de mouture souhaitée entre 1 et 60 sur la couronne de mouture (C) (1 = fine, 60 = grossière).
3. Servez-vous du graphique de la mouture sur le couvercle en verre (A) pour vous guider. Pour plus d'informations sur le choix de la mouture, voir le chapitre <Régler la finesse de la mouture>.
4. Sélectionnez le nombre de tasses « 2 », « 3 », « 4 », « 5 », « 6 », « 8 » ou « 10 » sur la molette du nombre de tasses (I).
5. Vous pouvez également choisir « M » pour le mode manuel, voir le chapitre <Mode Manuel> ci-dessous ou « A » pour le mode AutoGrind™ où le Coffee Grinder est connecté à l'Aarke Coffee Maker. Voir le chapitre <AutoGrind™> ci-dessous pour plus d'informations.
6. Placez le bac à café moulu (E) ou le porte-filtre de votre Coffee Maker sous la sortie (D).
7. Appuyez sur la touche START/STOP (G) et le Coffee Grinder moulinera la quantité de café correspondant au nombre de tasses sélectionné. Pendant le fonctionnement du Coffee Grinder, le voyant LED (H) clignote. Lorsque le cycle de mouture est terminé, le voyant LED (H) s'éteint.

À noter :

- Vous pouvez ajuster la finesse de la mouture pour équilibrer la saveur selon votre goût personnel. Si vous trouvez votre café trop amer, essayez une mouture plus grossière. S'il tend à être trop acide, il doit être moulu plus finement.
- La quantité de café moulu fournie peut varier légèrement en fonction du degré de torréfaction du grain et de la finesse de la mouture. Si vous avez besoin d'une plus grande précision, vous pouvez utiliser la molette de réglage de la force (J) pour ajuster la quantité de café moulu.
- Le Coffee Grinder est doté d'une mémoire de reprise de mouture. Si le réservoir à grains est vide avant la fin du cycle de mouture, le voyant LED (H) clignote en rouge. Remplissez le réservoir à grains et appuyez sur la touche START/STOP. Le Coffee Grinder termine alors de mouler la quantité déjà commencée pendant le temps restant, et le voyant LED (H) du Coffee Grinder clignote en blanc.

Régler la finesse de la mouture

Avant de commencer à mouler, nous vous recommandons de régler la finesse de la mouture. La finesse de la mouture dépend du mode de préparation que vous souhaitez utiliser. Utilisez la couronne de mouture (C) pour régler le degré de mouture entre 1 et 60 en fonction de la méthode de préparation (1 = fine, 60 = grossière). Le graphique de mouture inscrit sur le couvercle en verre (A) indique le degré de mouture adapté à votre méthode de préparation. Les différents degrés de mouture recommandés sont également indiqués dans le tableau 1 ci-dessous.

Des grains de café différents peuvent nécessiter des finesses de mouture différentes pour une même méthode de préparation. Si votre café a un goût fort et amer, passez à une mouture plus grossière (chiffre plus élevé sur la couronne). Si le goût de votre café est trop acide, passez à une mouture plus fine (chiffre plus bas sur la couronne).

Si vous souhaitez régler une mouture plus fine que celle utilisée, nous vous recommandons de mouler une petite quantité de café tous les cinq crans sur la couronne de mouture jusqu'à ce que vous atteigniez la mouture la plus fine. Cela empêchera le moteur de se bloquer.

Molette de réglage de la force

Si vous préférez un café plus ou moins fort, utilisez la molette de réglage de la force (J) pour ajuster le Coffee Grinder, afin d'obtenir une quantité de café moulu légèrement supérieure ou inférieure aux quantités préréglées. Pour augmenter la quantité de café, tournez le réglage de force vers la droite, en direction du signe Plus « + ». Pour diminuer la quantité de café, tournez-le vers la gauche, vers le signe Moins « - ».








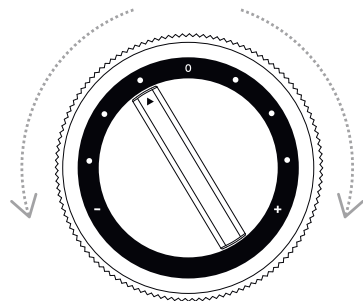
	Méthode d'infusion	Degré
	Cafetière italienne	10-20
	Cafetière Aeropress	15-25
	Cafetière filtre manuelle	20-35
	Cafetière à dépression	30-35
	Cafetière-filtre Chemex	30-40
	Cafetière à piston	45-55
	Cafetière Cold Brew	50-60

Tableau 1 : Mouture recommandée.



Mode manuel

Utilisez le mode manuel « **M** » lorsque vous souhaitez peser les grains séparément et les placer dans le réservoir vide pour les mouliner (dosage unique). Lorsque vous démarrez le Coffee Grinder en mode manuel, il fonctionne jusqu'à ce que tous les grains contenus dans le réservoir soient moulus, puis s'arrête automatiquement. Le Coffee Grinder peut également être arrêté manuellement en appuyant sur la touche START/STOP.

Aarke AutoGrind™

L'Aarke Coffee Grinder peut être connecté à l'Aarke Coffee Maker à l'aide du cordon connecteur Aarke AutoGrind™ Connector Cord. Cela permet aux appareils de fonctionner automatiquement ensemble. En fonction de la quantité d'eau contenue dans le réservoir de l'Aarke Coffee Maker, l'Aarke Coffee Grinder calcule et moule la quantité de café correspondante. Scannez le code QR pour en savoir plus sur Aarke Coffee System™.



Connecter les appareils

- Assurez-vous que les deux appareils sont éteints et débranchés des prises électriques. Retirez le réservoir à grains de l'Aarke Coffee Grinder. Retirez la verseuse en verre, le couvercle du réservoir d'eau et le porte-filtre de l'Aarke Coffee Maker. Placez soigneusement chaque appareil sur le côté, sur un chiffon ou un autre matériau doux qui les protégera des rayures.
- Branchez une extrémité du cordon connecteur Aarke AutoGrind™ Connector Cord dans la prise du cordon connecteur (M) située sous l'Aarke Coffee Grinder et l'autre extrémité dans la prise du cordon connecteur située sous l'Aarke Coffee Maker.
- Remettez les deux produits à la verticale et placez-les sur une surface plane et sèche. Branchez chaque cordon d'alimentation dans une prise de courant reliée à la terre.

Utilisation de l'Aarke AutoGrind™

1. Placez la verseuse en verre, avec son couvercle, sur la plaque chauffante de la cafetière. Assurez-vous que la verseuse en verre est propre.
2. Remplissez le réservoir d'eau de la cafetière avec de l'eau propre et froide. Le voyant du réservoir d'eau de la cafetière s'allume.
3. Placez un filtre standard 1x4 dans le porte-filtre. Placez le porte-filtre sous la sortie du Coffee Grinder.
4. Remplissez le réservoir à grains (B) de grains de café torréfiés entiers. Veillez à verser suffisamment de grains de café pour obtenir la quantité de café moulu souhaitée (env. 7,5 g de café par tasse de 125 ml). Placez le couvercle en verre (A) sur le réservoir à grains.
5. Sélectionnez la finesse de mouture souhaitée sur la couronne de mouture. Servez-vous du graphique de la mouture sur le couvercle en verre (A) pour vous guider. Pour plus d'informations sur le choix de la mouture, voir le chapitre <Régler la finesse de la mouture>.
6. Sélectionnez le mode AutoGrind™ « **A** » sur la molette du nombre de tasses (I). Le voyant LED (H) sur le Coffee Grinder s'allume en blanc. Si le voyant LED (H) devient rouge, cela signifie qu'il y a un problème de connexion. Veuillez répéter les étapes de la section <Connecter les appareils>.
7. Appuyez sur la touche START/STOP (G) et le Coffee Grinder moulera la quantité de café correspondant à la qualité d'eau contenue dans le réservoir d'eau de la cafetière. Pendant le fonctionnement du Coffee Grinder, le voyant LED (H) clignote. Lorsque le cycle de mouture est terminé, le voyant LED (H) s'éteint.
8. Placez le porte-filtre avec le café fraîchement moulu dans votre Coffee Maker.
9. Appuyez sur le bouton d'alimentation pour démarrer la cafetière. Le voyant LED de la cafetière s'allume et le cycle d'infusion commence.
10. Lorsque le café est prêt, le voyant LED situé sur la fenêtre du niveau d'eau s'éteint.

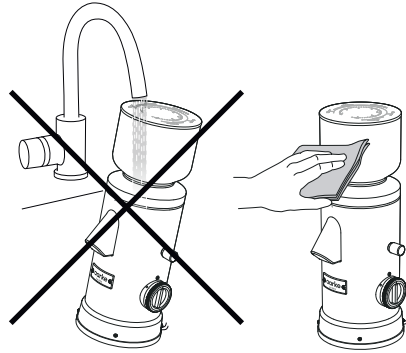
À noter :

- La molette de réglage de la force fonctionne également en mode AutoGrind™.

Nettoyage et entretien

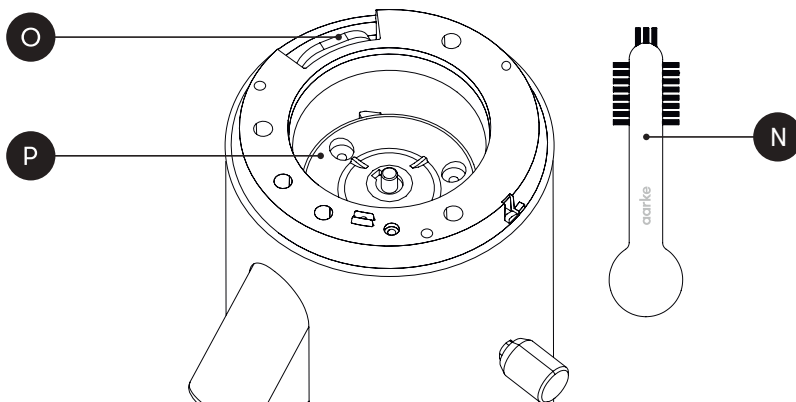
Un nettoyage et un entretien adéquats garantissent la longévité de cet appareil. Nettoyez-le après chaque utilisation.

- Débranchez toujours l'appareil et assurez-vous que les pièces ont cessé de bouger avant de nettoyer votre Coffee Grinder.
- Ne plongez pas l'appareil dans l'eau pour le nettoyer.
- Utilisez un chiffon doux et humide pour nettoyer l'extérieur de l'appareil. Ne nettoyez pas l'appareil à l'aide de produits de nettoyage agressifs, de tampons en laine d'acier ou d'autres matériaux abrasifs.
- Lavez le réservoir à grains avec un détergent doux et rincez-le soigneusement.
- Le couvercle en verre et le bac à café moulu peuvent être lavés au lave-vaisselle.
- Nettoyez les meules du moulin tous les trois mois ou plus souvent.
- Lorsque vous changez de grains, videz les résidus de café restés à l'intérieur de votre Coffee Grinder avant de verser de nouveaux grains dans le réservoir. Commencez par vider le réservoir à grains. Remettez le réservoir à grains sur le Coffee Grinder et tournez la molette du nombre de tasses (I) sur « M » et faites fonctionner le Coffee Grinder jusqu'à ce qu'il s'arrête automatiquement. Répétez une fois.




Nettoyer les meules

1. Veillez à placer le Coffee Grinder sur une surface plane et sèche.
2. Déverrouillez le réservoir à grains en le tournant dans le sens inverse des aiguilles d'une montre et retirez-le du Coffee Grinder.
3. Tournez la couronne de mouture (C) dans le sens inverse des aiguilles d'une montre jusqu'à ce que vous puissiez la retirer.
4. Sortez la brosse de nettoyage (N) de son compartiment (O).
5. Brossez soigneusement les meules (P) à l'aide de la brosse de nettoyage, en veillant à ce que les surfaces soient propres.
6. Remettez la brosse de nettoyage dans son logement dans le Coffee Grinder.
7. Remettez en place la couronne de mouture en la tournant à fond jusqu'à ce qu'elle s'arrête, puis replacez-la sur le réglage souhaité.
8. Placez le réservoir à grains sur le Coffee Grinder et tournez-le dans le sens des aiguilles d'une montre jusqu'à ce qu'il soit bien en place.
9. Fixez le couvercle en verre. Le Coffee Grinder est maintenant prêt à être réutilisé.



Recyclage

 Ce symbole sur le produit ou sur son emballage indique que le produit ne peut pas être traité comme un déchet ménager. Pour recycler votre produit, veuillez le déposer dans un point de collecte officiel, en mesure de démonter et de recycler les composants électriques de manière sûre et professionnelle. Séparez les pièces non électriques et recyclez-les conformément aux réglementations locales. Recyclez l'emballage.

Dépannage

Pour le dépannage, veuillez consulter le tableau ci-dessous, visiter le site aarke.com/support ou scanner le code QR.



Problème	Cause	Solution
Le voyant LED (H) clignote en rouge en continu.	Il n'y a pas assez de grains dans le réservoir pour terminer le cycle de mouture.	Remplissez le réservoir de grains et appuyez sur le bouton pour que le Coffee Grinder termine le cycle de mouture commencé.
Lorsque vous appuyez sur la touche START/STOP, le voyant LED (H) clignote trois fois en rouge.	La molette du nombre de tasses (I) se trouve entre les deux modes.	Tournez la molette du nombre de tasses (I) dans la position d'un mode.
Lorsque vous appuyez sur la touche START/STOP, le voyant LED (H) clignote trois fois en rouge.	Le mode de mouture automatique (A) est sélectionné mais il n'y a aucune connexion avec la cafetière Coffee Maker.	Vérifiez que les cordons d'alimentation sont branchés dans une prise de courant et que le cordon de raccordement (M) est branché dans les deux appareils.
La molette du nombre de tasses (I) est en mode automatique « A » et le voyant LED (H) est rouge.	Il n'y a pas de connexion entre le Coffee Grinder et la Coffee Maker.	Vérifier le cordon de raccordement (F).

Assistance à la clientèle

Lorsque vous contactez le service clientèle, assurez-vous de disposer des informations suivantes : Modèle et numéro de série. Ces informations figurent sur l'étiquette signalétique située sous le Coffee Grinder. En raison de la politique menée par Aarke en matière de développement continu des produits, les spécifications, les couleurs et les détails de nos produits et de ceux mentionnés dans ce manuel sont susceptibles d'être modifiés sans préavis.

Pour demander une assistance, veuillez consulter le site aarke.com/support ou envoyer un courriel à support@aarke.com.

ES MANUAL DE INSTRUCCIONES

Molinillo de café Aarke

Modelo A1340 - 1352

LEA ATENTAMENTE ESTE MANUAL DE INSTRUCCIONES ANTES DE UTILIZAR EL APARATO. GUARDAR PARA FUTURAS CONSULTAS.


Los gráficos y dibujos de este manual de usuario solo pretenden ser una descripción general del producto y pueden diferir del producto en sí.

ES

Componentes

- | | | |
|---|--|--|
| A Tapa de cristal | F Cable de conexión Aarke AutoGrind™ Connector Cord | J Regulador de intensidad |
| B Tolva | G Botón ENCENDIDO/APAGADO | K Cable de alimentación |
| C Selector de tamaño de molienda | H Indicador LED | L Guardacables |
| D Salida | I Selector de tazas | M Conexión Aarke AutoGrind™ Connector |
| E Recipiente de la molienda | | |

CONSEJOS DE SEGURIDAD IMPORTANTES

- **¡ADVERTENCIA!** Siga estas instrucciones cuando utilice el aparato. Un uso incorrecto puede provocar una descarga eléctrica u otro tipo de accidentes.
- **¡ADVERTENCIA!** No utilice el aparato si está dañado, si el cable o el enchufe están deteriorados, o si el aparato no funciona como es debido, para evitar riesgos. Compruebe siempre el aparato antes de utilizarlo.
- **¡ADVERTENCIA!** No sumerja el cable de alimentación, el enchufe ni ninguna otra pieza del aparato en agua u otros líquidos para evitar el riesgo de descarga eléctrica. 
- **¡ADVERTENCIA!** No toque el molinillo cuando esté en funcionamiento.
- No utilice un adaptador con este aparato.
- No deje nunca el molinillo desatendido cuando esté en uso. Es necesaria una estrecha supervisión cuando el aparato sea utilizado por niños o cerca de ellos. No lo utilice con niños cerca. Evite que los niños tiren del cable de alimentación o derriben el aparato.
- Este aparato debe conectarse a un enchufe con toma de tierra para evitar el riesgo de descarga eléctrica o incendio.
- El aparato está diseñado para desconectar la corriente eléctrica del elemento durante condiciones anómalas de funcionamiento.
- No tire del cable para desconectarlo de la fuente de alimentación ni lo desenchufe con las manos mojadas.
- Antes de conectar el aparato a la red eléctrica, asegúrese de que el voltaje indicado en la placa de características situada en la parte inferior del aparato coincide con el voltaje de su vivienda. Si no es así, no utilice el aparato.
- El uso de accesorios no aprobados por el fabricante del aparato puede provocar incendios, descargas eléctricas o lesiones.
- Este aparato puede ser utilizado por personas (incluidos niños de 8 años o más) con capacidades físicas, sensoriales o mentales reducidas o con falta de experiencia y conocimientos, bajo supervisión o si han recibido instrucciones sobre el uso del aparato de forma segura y si comprenden los peligros que conlleva. La limpieza y el mantenimiento del usuario no deben ser realizados por niños, a menos que sean mayores de 8 años y estén supervisados. Mantenga el aparato y su cable de alimentación fuera del alcance de niños menores de 8 años.
- Los niños no deben jugar con el aparato. Si hay niños presentes mientras se utiliza el aparato, manténgalos a una distancia prudencial. Evite que los niños tiren del cable de alimentación o derriben el aparato.
- Este aparato está destinado al uso doméstico y aplicaciones similares como: áreas de cocina para el personal de tiendas, oficinas

- y otros entornos de trabajo; granjas; por clientes en hoteles, moteles y otros entornos de tipo residencial; negocios que ofrezcan alojamiento y desayuno.
- Apague el aparato y desenchufe el cable de alimentación de la toma de corriente antes de montar o desmontar componentes y antes de limpiarlo.
 - Este aparato debe utilizarse bajo supervisión.
 - No retire el panel inferior del aparato. En el interior no hay piezas que el usuario pueda reparar. Las reparaciones solo pueden ser efectuadas por personal autorizado.
 - El molinillo está diseñado para moler granos de café. No introduzca en el molinillo de café ninguna otra sustancia que no sea café en grano o algún producto de limpieza específico.
 - No lo utilice en presencia de vapores explosivos y/o inflamables.
 - Compruebe que no haya objetos extraños en la tolva antes de usar el aparato.
 - Utilice el molinillo sobre una superficie plana y seca, a cierta distancia del borde de la encimera, para evitar que se caiga accidentalmente. Las vibraciones durante el funcionamiento pueden hacer que el molinillo se mueva.
 - Para un uso adecuado, haga funcionar este aparato durante menos de 90 segundos cada vez, manteniendo un tiempo de reposo mínimo de 90 segundos entre ciclos de uso.
 - No almacene ni utilice este aparato al aire libre, en zonas húmedas o a temperaturas bajo cero.
 - No coloque el aparato donde pueda entrar en contacto con una fuente de calor, como por ejemplo, encima o cerca de fogones de gas o placas eléctricas, en un horno caliente o en un microondas.
 - Mantenga el aparato alejado del agua.
 - No mueva nunca el aparato durante el funcionamiento.
 - No deje que el cable de alimentación cuelgue del borde de mesas o encimeras, ni que entre en contacto con superficies calientes.
 - Tenga cuidado de no dejar caer el aparato, ya que podría dañar el electrodoméstico y/o sus componentes internos.
 - Evite derramar líquidos sobre el cable de alimentación y/o el aparato.
 - Después de desembalar el aparato, recicle las bolsas de plástico y cualquier otro embalaje. Mantener fuera del alcance de los niños.

GUARDE ESTAS INSTRUCCIONES

Utilización del producto

Antes del primer uso

Desenvuelva cuidadosamente su molinillo de café Aarke Coffee Grinder y retire cualquier material de embalaje. Lave la tolva, la tapa de cristal y el recipiente de la molienda con un jabón suave y séquelos antes de usarlos. Coloque el molinillo de café sobre una superficie plana y seca. Coloque la tolva en la parte superior del molinillo de café y gírela en el sentido de las agujas del reloj hasta que quede bien colocada. Conecte el cable de alimentación a un enchufe con toma de tierra.

Utilización del producto

1. Llene la tolva (B) con granos enteros de café tostado. Asegúrese de echar suficiente café en grano para la cantidad de café molido que desee (~7,5 g de café por cada taza de 125 ml). Coloque la tapa de cristal (A) sobre la tolva.
2. Elija el tamaño de molienda preferido entre 1 y 60 en el selector de tamaño de molienda (C) (1 = fina, 60 = gruesa).
3. Utilice la tabla de molido de la tapa de cristal (A) como guía. Para obtener más información sobre la elección del tamaño de molienda, consulte el capítulo <Ajustar el tamaño de molienda>.
4. Seleccione el número de tazas "2", "3", "4", "5", "6", "8" o "10" en el selector de tazas (I).
5. También puede elegir "M" para pasar al modo manual (véase el capítulo <Modo manual> más abajo) o "A" para el modo AutoGrind™ en el caso de que el molinillo esté conectado a la cafetera Aarke Coffee Maker. Para más información, consulte el capítulo <AutoGrind™>.

6. Coloque el recipiente de la molienda (E) o la cesta del filtro de la cafetera debajo de la salida (D).
7. Pulse el botón ENCENDIDO/APAGADO (G) y el molinillo de café molerá la cantidad de café correspondiente al número de tazas seleccionado. El indicador LED (H) parpadeará mientras el molinillo de café esté en funcionamiento. Una vez finalizado el ciclo de molienda, el indicador LED (H) se apagará.

Tenga en cuenta lo siguiente:

- Puede ajustar el tamaño de la molienda para equilibrar el sabor según su gusto personal. Si el café sabe demasiado amargo, pruebe una molienda más gruesa. Si resulta demasiado ácido, seleccione una molienda más fina.
- La cantidad de café molido obtenida puede variar ligeramente en función del nivel de tueste del grano y del tamaño de la molienda. Si desea una precisión mayor, puede utilizar el regulador de intensidad (J) para ajustar con exactitud la cantidad de café obtenida.
- El molinillo de café dispone de una memoria de reanudación de la molienda. Si los granos de la tolva se agotan antes de que finalice el ciclo de molienda, el indicador LED (H) parpadeará en rojo. Rellene la tolva con granos de café y pulse el botón ENCENDIDO/APAGADO. El molinillo de café completará la molienda de la cantidad que ya se había seleccionado anteriormente y el indicador LED (H) del molinillo de café parpadeará en blanco.

Ajustar el tamaño de la molienda

Antes de empezar a moler, le recomendamos que ajuste el tamaño de la molienda. El tamaño de la molienda depende del método de elaboración que desee utilizar. Utilice el selector de tamaño de molienda (C) para ajustar el tamaño de la molienda con valores que van del 1 al 60 en función del método de elaboración (1 = fina, 60 = gruesa). La tabla de molido de la tapa de cristal (A) muestra el valor más adecuado para su método de elaboración. Los valores recomendados de tamaño de molienda también se muestran en la tabla 1.

Las diferentes variedades de granos de café pueden requerir distintos tamaños de molienda para el mismo método de elaboración. Si su café sabe fuerte y amargo, cambie a un tamaño de molienda más grueso (un número más alto en el selector). Si el sabor del café es demasiado ácido, cambie a un tamaño de molienda más fino (un número más bajo en el selector).

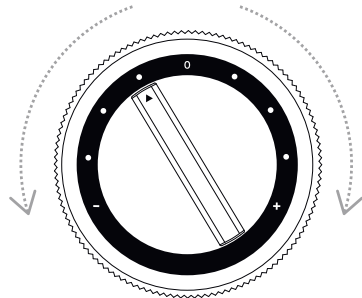
Si desea seleccionar un tamaño de molienda más fino que el que está utilizando, le recomendamos que mueva una pequeña cantidad de café, subiendo cada vez cinco posiciones el selector de tamaño de molienda, hasta alcanzar el ajuste de tamaño de molienda que usted desee. Esto evitará que el motor se bloquee.

Regulador de intensidad

Si prefiere el café un poco más fuerte o más flojo, utilice el regulador de intensidad (J) para ajustar el molinillo de café para que mueva un poco más o menos de café que las cantidades programadas. Para aumentar la cantidad de café, gire el regulador de intensidad hacia la derecha, hacia el signo más "+". Para disminuir la cantidad de café, gírelo hacia la izquierda, hacia el signo menos "-".

	Método de elaboración	Variedad
	Moka	10-20
	Aire a presión	15-25
	Filtrado manual	20-35
	Sifón	30-35
	Elaboración con filtro	30-40
	Chemex	40-50
	Prensa francesa	45-55
	Preparado en frío	50-60

Tabla 1: Recomendaciones sobre el tamaño de la molienda.



Modo manual

Utilice el modo manual **"M"** cuando desee pesar los granos por separado y colocarlos en la tolva vacía para molerlos (dosis única). Cuando se enciende el molinillo de café en modo manual, funcionará hasta que se hayan molido todos los granos en la tolva y, a continuación, se detendrá automáticamente. El molinillo de café también se puede detener manualmente pulsando el botón ENCENDIDO/APAGADO.

Aarke AutoGrind™

El molinillo de café Aarke Coffee Grinder puede conectarse a la cafetera Aarke Coffee Maker a través del cable de conexión Aarke AutoGrind™ Connector Cord. Esto permite que los aparatos funcionen automáticamente juntos. En función de la cantidad de agua que haya en el depósito de la cafetera Aarke Coffee Maker, el molinillo de café Aarke Coffee Grinder calculará y molerá la cantidad de café correspondiente. Escanee el código QR para obtener más información sobre el Aarke Coffee System™.



Conectar los aparatos

- Asegúrese de que ambos aparatos estén apagados y desenchufados. Retire la tolva del molinillo de café Aarke Coffee Grinder. Retire la jarra de cristal, la tapa del depósito de agua y la cesta del filtro de la cafetera Aarke Coffee Maker. Coloque con cuidado cada aparato en su lugar, sobre un paño u otro material suave que los proteja de arañazos.
- Enchufe uno de los extremos del cable de conexión Aarke AutoGrind™ Connector Cord en la toma del cable de conexión (M) situada debajo del molinillo de café Aarke Coffee Grinder y el otro extremo en la toma del cable de conexión situada debajo de la cafetera Aarke Coffee Maker.
- Coloque ambos productos en posición vertical sobre una superficie plana y seca. Enchufe ambos cables a la toma de corriente.

Utilización del modo Aarke AutoGrind™

1. Coloque la jarra de cristal, con la tapa puesta, encima de la placa calefactora de la cafetera. Asegúrese de que la jarra de cristal esté limpia.
2. Llene el depósito de agua de la cafetera con agua limpia y fría. El LED del depósito de agua de la cafetera se encenderá.
3. Coloque un filtro estándar 1 x 4 en la cesta del filtro. Coloque la cesta del filtro debajo de la salida del molinillo de café.
4. Llene la tolva (B) con granos enteros de café tostado. Asegúrese de que hay suficiente café en grano para la cantidad de café molido que desee (~7,5 g de café por cada taza de 125 ml). Coloque la tapa de cristal (A) sobre la tolva.
5. Seleccione el tamaño de molienda preferido en el selector de tamaño de molienda. Utilice la tabla de molido de la tapa de cristal (A) como guía. Para obtener más información sobre la elección del tamaño de molienda, consulte el capítulo <Ajustar el tamaño de molienda>.
6. Seleccione el modo AutoGrind™ **"A"** en el selector de tazas (I). El indicador LED (H) del molinillo de café se iluminará en blanco. Si existe algún problema con la conexión, el indicador LED (H) se iluminará en rojo. Repita los pasos en <Conectar los aparatos>.
7. Pulse el botón ENCENDIDO/APAGADO (G) y el molinillo de café molerá una cantidad de café adecuada a la cantidad de agua que haya en el depósito de la cafetera. El indicador LED (H) parpadeará mientras el molinillo de café esté en funcionamiento. Una vez finalizado el ciclo de molienda, el indicador LED (H) se apagará.
8. Coloque adecuadamente la cesta del filtro con el café recién molido en la cafetera.
9. Pulse el botón de encendido para encender la cafetera. El indicador LED de la cafetera se encenderá y se iniciará el ciclo de elaboración.
10. Cuando el café esté listo, el indicador LED de la ventana de nivel de agua se apagará.

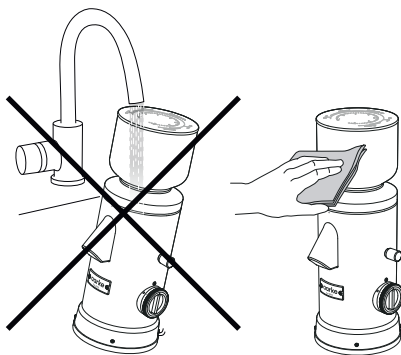
Tenga en cuenta lo siguiente:

- El regulador de intensidad también funciona en modo AutoGrind™.

Limpieza y mantenimiento

Mantener una limpieza y cuidado adecuados garantizará el buen uso de este aparato durante muchos años. Límpielo después de cada uso.

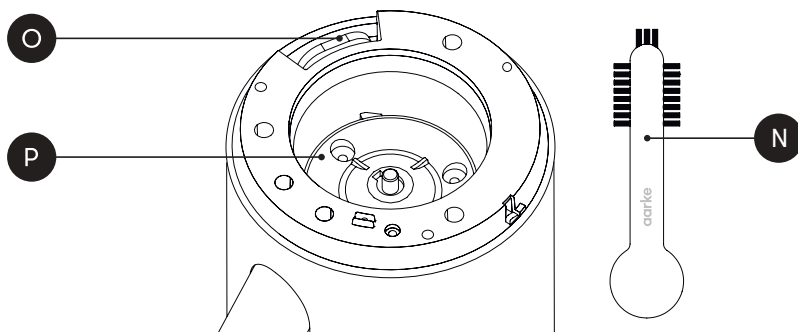
- Antes de limpiar el molinillo de café, desenchufe siempre el aparato y asegúrese de que sus piezas han dejado de moverse.
- No sumerja el aparato en agua cuando lo limpie.
- Utilice un paño suave y húmedo para limpiar el exterior del aparato. No limpie el aparato con productos de limpieza demasiado fuertes, estropajos de acero u otros materiales abrasivos.
- Lave la tolva con un jabón suave y aclárela bien.
- La tapa de cristal y el recipiente de la molienda se pueden lavar en el lavavajillas.
- Limpie las muelas del molinillo cada tres meses o menos.
- Cuando vaya a cambiar la variedad de granos de café, y antes de poner los nuevos en la tolva, limpie cualquier residuo que haya podido quedar dentro del molinillo. En primer lugar, vacíe la tolva. Vuelva a colocar la tolva en el molinillo de café, gire el selector de tazas (I) hasta "M" y haga funcionar el molinillo de café hasta que se detenga automáticamente. Repita una vez.



ES

Limpieza de las muelas

1. Asegúrese de que el molinillo de café esté colocado sobre una superficie plana y seca.
2. Desbloquee la tolva girándola en el sentido contrario a las agujas del reloj y extráigala del molinillo de café.
3. Gire el selector de tamaño de molienda (C) en el sentido contrario a las agujas del reloj hasta que se pueda extraer.
4. Saque el cepillo de limpieza (N) de su compartimento (O).
5. Frote cuidadosamente las muelas planas (P) con el cepillo de limpieza, asegurándose de que las superficies queden limpias.
6. Vuelva a colocar el cepillo de limpieza dentro de su estuche en el molinillo de café.
7. Vuelva a colocar en su sitio el selector de tamaño de molienda girándolo hasta que se detenga y, a continuación, gírelo hasta el ajuste deseado.
8. Coloque la tolva en el molinillo de café y gírela en el sentido de las agujas del reloj hasta que quede bien sujeta.
9. Coloque la tapa de cristal. El molinillo de café ya está listo para volver a utilizarse.



Reciclaje



Este símbolo en el producto o en su embalaje indica que el producto no puede tratarse como residuo doméstico. Para reciclar el producto, llévalo a un punto de recogida oficial que esté autorizado para retirar y reciclar componentes eléctricos de forma segura y profesional. Separe las piezas no eléctricas y recíclelas de acuerdo con la normativa local. Recicle el embalaje.

ES

Solución de problemas

Para solucionar problemas, consulte la tabla siguiente, visite aarke.com/support o escanee el código QR.



Problema	Causa	Solución
El indicador LED (H) parpadea continuamente en rojo.	No hay suficientes granos de café en la tolva para completar la molienda.	Rellene la tolva y pulse el botón para que el molinillo de café acabe de moler la cantidad previamente seleccionada.
Cuando se pulsa el botón ENCENDIDO/APAGADO, el indicador LED (H) parpadea tres veces en rojo.	El selector de tazas (I) ha quedado situado entre dos modos.	Gire el selector de tazas (I) hasta la posición concreta de uno de los modos.
Cuando se pulsa el botón ENCENDIDO/APAGADO, el indicador LED (H) parpadea tres veces en rojo.	El modo automático de molienda (A) está seleccionado pero no hay conexión con la cafetera.	Compruebe que los cables de alimentación estén bien enchufados y que el cable de conexión (M) esté enchufado a ambos aparatos.
El selector de tazas (I) está en modo automático "A" y el indicador LED (H) está en rojo.	No hay conexión entre el molinillo de café y la cafetera.	Compruebe el cable de conexión (F).

Servicio de atención al cliente

Cuando se ponga en contacto con el servicio de atención al cliente, asegúrese de disponer de la siguiente información: Modelo y número de serie. Esta información se encuentra en la etiqueta de características, en la parte inferior del molinillo de café. Debido a la política de Aarke de desarrollo continuo de productos, las especificaciones, colores y detalles de nuestros productos y los mencionados en este manual están sujetos a cambios sin previo aviso.

Para obtener asistencia, visite aarke.com/support o envíe un correo electrónico a support@aarke.com.

NL HANDLEIDING

Aarke Coffee Grinder

Model A1340 - 1352

LEES DEZE GEBRUIKSAANWIJZING ZORGVULDIG DOOR VOOR GEBRUIK. BEWAAR DE HANDLEIDING VOOR TOEKOMSTIG GEBRUIK.

De afbeeldingen en tekeningen in deze gebruikershandleiding zijn alleen bedoeld als algemene beschrijving van het product en kunnen afwijken van het product zelf.

NL

Onderdelen

- | | | |
|------------------------------|---|---------------------------------------|
| A Glazen deksel | F Aarke AutoGrind™ aansluitsnoer | K Netsnoer |
| B Bonencontainer | G Knop START/STOP | L Intern snoeropbergvak |
| C Draaiknop maalgraad | H Ledindicator | M Aarke AutoGrind™ Aansluiting |
| D Goot | I Keuzeschakelaar | |
| E Opvangbakje | J Sterkteregeling | |

BELANGRIJKE VEILIGHEIDSINSTRUCTIES

- **WAARSCHUWING!** Volg deze instructies bij het gebruik van het apparaat. Verkeerd gebruik kan elektrische schokken of andere gevaren veroorzaken.
- **WAARSCHUWING!** Gebruik het apparaat niet als het beschadigd is, als het snoer of de stekker beschadigd is of als het apparaat niet goed werkt om gevaren te voorkomen. Controleer het apparaat altijd voor gebruik.
- **WAARSCHUWING!** Dompel het netsnoer, de stekker of andere onderdelen van het apparaat niet onder in water of andere vloeistoffen om het risico op een elektrische schok te voorkomen.
- **WAARSCHUWING!** Raak de machine niet aan wanneer deze in werking is.
- Gebruik geen adapter voor dit apparaat.
- Laat de machine nooit onbeheerd achter wanneer deze in gebruik is. Nauwlettend toezicht is noodzakelijk wanneer het apparaat wordt gebruikt door of in de buurt van kinderen. Niet gebruiken binnen het bereik van kinderen. Niet gebruiken aan het netsnoer trekken of het apparaat omstoten.
- Dit apparaat moet worden aangesloten op een geaard stopcontact om het risico van een elektrische schok of brand te voorkomen.
- Het apparaat is ontworpen om de stroomtoevoer naar het element onder spanning uit te schakelen tijdens abnormale werkomstandigheden.
- Trek niet aan de kabel om deze los te koppelen van de voeding en trek de stekker



niet uit het stopcontact met natte handen.

- Voordat u het apparaat aansluit op het elektriciteitsnet, moet u controleren of de spanning die staat aangegeven op het typeplaatje aan de onderkant van het apparaat overeenkomt met de spanning in uw huis. Gebruik het apparaat niet als dit niet het geval is.
- Het gebruik van accessoires die niet zijn goedgekeurd door de fabrikant van het apparaat kan leiden tot brand, elektrische schokken of letsel.
- Dit apparaat kan worden gebruikt door personen (inclusief kinderen vanaf 8 jaar) met beperkte fysieke, zintuiglijke of mentale capaciteiten of met een gebrek aan ervaring en kennis, als ze onder toezicht staan of instructies hebben gekregen over het veilige gebruik van het apparaat en als ze de gevaren begrijpen. Reiniging en gebruikersonderhoud mogen niet worden uitgevoerd door kinderen, tenzij ze ouder zijn dan 8 jaar en onder toezicht staan. Houd het apparaat en het netsnoer buiten bereik van kinderen jonger dan 8 jaar.
- Kinderen mogen niet met het apparaat spelen. Als er kinderen aanwezig zijn terwijl het apparaat in gebruik is, houd ze dan op een veilige afstand. Voorkom dat kinderen aan het netsnoer trekken of het apparaat omstoten.
- Dit apparaat is bedoeld voor gebruik in huishoudelijke en soortgelijke toepassingen zoals: keukens voor personeel in winkels, kantoren en andere werkomgevingen; boerderijen; door klanten in hotels, motels en andere residentiële omgevingen; bed and breakfast-omgevingen.

- Schakel het apparaat uit en haal de stekker uit het stopcontact voordat u onderdelen monteert of demonteert en voordat u het apparaat schoonmaakt.
- Dit apparaat moet onder toezicht worden gebruikt.
- Verwijder het onderste paneel van het apparaat niet. Binnenin bevinden zich geen onderdelen die door de gebruiker kunnen worden gerepareerd. Reparaties mogen alleen worden uitgevoerd door bevoegd personeel.
- De molen is bedoeld voor het malen van koffiebonen. Gebruik uitsluitend koffiebonen en molenreiniger in de koffiemolen.
- Niet gebruiken in de aanwezigheid van explosieve en/of ontvlambare dampen.
- Controleer de bonencontainer voor gebruik op vreemde voorwerpen.
- Gebruik de molen op een vlakke, droge ondergrond, uit de buurt van de rand van het aanrecht om te voorkomen dat het apparaat per ongeluk valt. Trillingen tijdens het gebruik kunnen ervoor zorgen dat het apparaat beweegt.
- Voor een juist gebruik moet u dit apparaat minder dan 90 seconden per keer laten werken, met een rusttijd van minimaal 90 seconden tussen twee aaneengesloten cycli.
- Bewaar of gebruik dit apparaat niet buitenshuis, in vochtige ruimtes of bij vriestemperaturen.
- Plaats het apparaat niet op een plek waar het in contact kan komen met een warmtebron, bijvoorbeeld op of in de buurt van een gas- of elektrische kookplaat, in een verwarmde oven of in een magnetron.
- Houd het apparaat uit de buurt van water.
- Verplaats het apparaat nooit tijdens het gebruik.
- Laat het netsnoer niet over de rand van tafels of aanrechtbladen hangen en laat het niet in contact komen met hete oppervlakken.
- Laat het apparaat niet vallen, want hierdoor kunnen het apparaat en/of de interne onderdelen beschadigd raken.
- Mors geen vloeistof op het netsnoer en/of het apparaat.
- Na het uitpakken van het apparaat moeten plastic zakken en andere verpakkingen worden gerecycled. Buiten bereik van kinderen bewaren.

BEWAAR DEZE INSTRUCTIES

Gebruik van het apparaat

Voor het eerste gebruik

Pak Aarke Coffee Grinder voorzichtig uit en verwijder het verpakkingsmateriaal. Was de bonencontainer, het glazen deksel en de koffiekop met een mild afwasmiddel en veeg droog voor gebruik. Plaats de koffiemolen op een vlakke, droge ondergrond. Plaats de bonencontainer bovenop de koffiemolen en draai met de klok mee tot hij goed vastzit. Sluit het netsnoer aan op een geaard stopcontact.

Gebruik van het product

1. Vul de bonencontainer (B) met hele, gebrande koffiebonen. Zorg ervoor dat u genoeg koffiebonen hebt voor de hoeveelheid gemalen koffie die u wilt (~7,5 g koffie voor elke kop van 125 ml). Plaats het glazen deksel (A) op de bonencontainer.
2. Kies de gewenste maalgraad tussen 1 en 60 op de draaiknop voor de maalgraad (C) (1=fijn, 60=grof).
3. Gebruik de maalgrafiek op het glazen deksel (A) als richtlijn. Zie het hoofdstuk <Maalgraad instellen> voor meer informatie.
4. Selecteer het aantal kopjes "2", "3", "4", "5", "6", "8" of "10" op de keuzeknop (I).
5. U kunt ook kiezen voor "M" voor de handmatige modus, zie het hoofdstuk <Handmatige modus> hieronder of "A" voor de AutoGrind™-modus waarbij de koffiemolen is aangesloten op de Aarke Coffee Maker. Zie het hoofdstuk <AutoGrind™> hieronder voor meer informatie.

6. Plaats de koffiedikbeker (E) of het filtermandje van de koffiemolen onder de trechter (D).
7. Druk op de START/STOP knop (G) en de koffiemolen maalt een hoeveelheid koffie die overeenkomt met het aantal geselecteerde kopjes. Als de koffiemolen in werking is, knippert de ledindicator (H). Als de maalcyclus klaar is, gaat de ledindicator (H) uit.

Let op:

- U kunt de maalgraad aanpassen om de smaak in balans te brengen volgens uw persoonlijke smaak. Als u de koffie te bitter vindt, probeer dan een grovere maling. Als het naar te zuur neigt, ga dan voor een fijnere maling.
- De geleverde hoeveelheid gemalen koffie kan licht variëren afhankelijk van de branding van de boon en de maalgraad. Als meer precisie vereist is, kan de sterkteregeling (J) worden gebruikt om de hoeveelheid geleverde koffie fijn af te stellen.
- De koffiemolen heeft een hervattend maalgeheugen. Als de bonen in de bonencontainer op zijn voordat de maalcyclus is voltooid, knippert de led (H) rood. Vul de bonencontainer met bonen en druk op de START/STOP knop. De koffiemolen is nu klaar met het malen van de resterende tijd van de al gestarte batch en de ledindicator (H) op de koffiemolen knippert wit.

Maalgraad instellen

Voordat u begint met malen, moet u de maalgraad instellen. De maalgraad hangt af van de zetmethode die je wilt gebruiken. Gebruik de draaiknop (C) om de maalgraad in te stellen binnen een bereik van 1-60, afhankelijk van de zetmethode (1 = fijn, 60 = grof). De maaldiagram op het glazen deksel (A) toont het bereik dat geschikt is voor de zetmethode. Het aanbevolen bereik voor de maalgraad wordt ook weergegeven in tabel 1 hieronder.

Verschillende koffiebonen vereisen mogelijk een verschillend maalgraad voor dezelfde zetmethode. Als de koffie sterk en bitter smaakt, schakel dan over op een grovere maalgraad (een hoger getal op de draaiknop). Als de koffie te zuur is, kies dan een fijnere maling (een lager getal op de draaiknop).

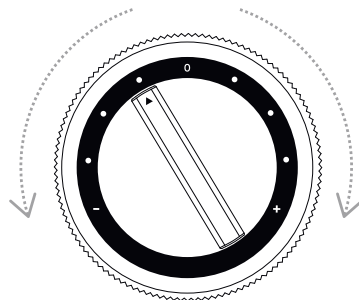
Als u een fijnere maalgraad wilt instellen, raden we u aan om elke vijf stappen van de draaiknop een kleine hoeveelheid koffie te malen totdat u de instelling voor de fijnere maalgraad hebt bereikt. Dit voorkomt dat de motor vastloopt.

	Brouwmethode	Bereik
	Mocca	10-20
	Aeropress	15-25
	Handfilter	20-35
	Sifon	30-35
	Filterkoffie	30-40
	Chemex	40-50
	Franse pers	45-55
	Koude koffie	50-60

Tabel 1: Aanbeveling voor maalgraad.

Sterkte regeling

Als u de koffie liever wat sterker of zwakker hebt, gebruik dan de sterkteregeling (J) om de koffiemolen zo af te stellen dat er iets meer of minder koffie wordt gemalen dan de vooraf ingestelde hoeveelheden. Om de hoeveelheid koffie te verhogen, draait u de sterkteregeling naar rechts, in de richting van het plusteken "+". Om de hoeveelheid koffie te verminderen, draait u de knop naar links, naar het minteken "-".



Handmatige modus

Gebruik de handmatige modus **"M"** als u de bonen afzonderlijk wilt wegen en in de lege trechter wilt plaatsen om te malen (Enkelvoudige dosering). Als de koffiemolen in de handmatige modus wordt gestart, loopt het apparaat totdat alle bonen in de bonencontainer gemalen zijn en stopt dan automatisch. De koffiemolen kan ook handmatig worden gestopt door op de START/STOP knop te drukken.

Aarke AutoGrind™

De Aarke Coffee Grinder kan worden aangesloten op de Aarke Coffee Maker via het Aarke AutoGrind™ aansluitsnoer. Hierdoor werken de apparaten automatisch samen. Op basis van de hoeveelheid water in het waterreservoir van de Aarke Coffee Maker berekent en maalt de Aarke Coffee Grinder de bijbehorende hoeveelheid koffie. Scan de QR-code om meer te lezen over het Aarke Coffee System™.



De apparaten aansluiten

- Zorg ervoor dat beide apparaten zijn uitgeschakeld en losgekoppeld van de stopcontacten. Verwijder de bonencontainer uit de Aarke Coffee Grinder. Verwijder de glazen karaf, het deksel van het waterreservoir en het filtermandje uit de Aarke Coffee Maker. Leg elk apparaat voorzichtig op zijn kant, op een doek of ander zacht materiaal dat krassen voorkomt.
- Steek het ene uiteinde van het Aarke AutoGrind™ aansluitsnoer in de aansluiting (M) onder de Aarke Coffee Grinder en steek het andere uiteinde in de aansluiting onder het Aarke Coffee Maker.
- Zet beide producten rechtop en plaats ze op een vlakke, droge ondergrond. Steek elk netsnoer in een geaard stopcontact.

De Aarke AutoGrind™ gebruiken

1. Plaats de glazen karaf met het deksel erop op de warmhoudplaat van het koffiezetapparaat. Zorg ervoor dat de glazen karaf schoon is.
2. Vul het waterreservoir van het koffiezetapparaat met schoon, koud water. De waterreservoir-led op het koffiezetapparaat gaat branden.
3. Plaats een 1 x 4 standaard filter in de filterkorf. Plaats het filtermandje onder de trechter van de koffiemolen.
4. Vul de bonencontainer (B) met hele, gebrande koffiebonen. Zorg ervoor dat er genoeg koffiebonen zijn voor de hoeveelheid gemalen koffie die je wilt (~7,5 g koffie voor elke kop van 125 ml). Plaats het glazen deksel (A) op de bonencontainer.
5. Selecteer de gewenste maalgraad op de draaiknop voor de maalgraad. Gebruik de maalgrafiek op het glazen deksel (A) als richtlijn. Zie het hoofdstuk <Maalgraad instellen> voor meer informatie.
6. Selecteer de AutoGrind™ modus **"A"** op de Cup Dial (I). De ledindicator (H) op de koffiemolen wordt wit. Als de ledindicator (H) rood wordt, is er iets mis met de verbinding. Herhaal de stappen in <Apparaten aansluiten>.
7. Druk op de START/STOP knop (G) en de koffiemolen maalt een hoeveelheid koffie die overeenkomt met de hoeveelheid water in het waterreservoir van het koffiezetapparaat. Als de koffiemolen in werking is, knippert de ledindicator (H). Als de maalcyclus klaar is, gaat de ledindicator (H) uit.
8. Plaats het filtermandje met de versgemalen koffie op zijn plaats op het koffiezetapparaat.
9. Druk op de aan/uit-knop om het koffiezetapparaat te starten. De ledindicator op het koffiezetapparaat gaat branden en de koffiezetcyclus start.
10. Als de koffie klaar is, gaat de ledindicator in het waterniveaunvenster uit.

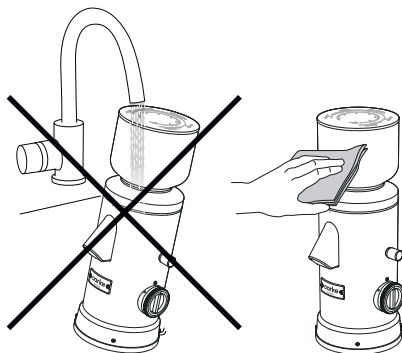
Let op:

- De sterkteregeling werkt ook in AutoGrind™-modus.

Reiniging en onderhoud

Als u dit apparaat goed schoonmaakt en onderhoudt, kunt u het jarenlang gebruiken. Maak het na elk gebruik schoon.

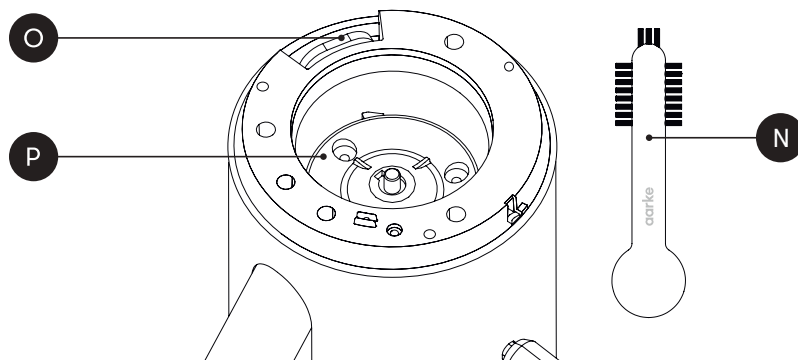
- Haal altijd de stekker uit het stopcontact en zorg ervoor dat de onderdelen niet meer bewegen voordat u de koffiemolen schoonmaakt.
- Dompel het apparaat niet onder in water om het schoon te maken.
- Gebruik een zachte, vochtige doek om de buitenkant van het apparaat schoon te maken. Maak het apparaat niet schoon met agressieve schoonmaakmiddelen, staalwolpads of andere schurende materialen.
- Was de bonencontainer met een mild schoonmaakmiddel en spoel goed af.
- Het glazen deksel en de koffiedikbeker kunnen in de vaatwasser.
- Reinig de bramen van de molen elke drie maanden, of vaker.
- Als u bonen vervangt, leeg dan eerst alle koffieresidu in de koffiemolen voordat u nieuwe bonen in de bonencontainer doet. Leeg eerst de bonencontainer. Plaats de bonencontainer terug op de koffiemolen en draai de keuzeknop (I) naar "M" en laat de koffiemolen draaien tot hij automatisch stopt. Eenmaal herhalen.



NL

Maak de bramen schoon

1. Zorg ervoor dat de koffiemolen op een vlakke, droge ondergrond staat.
2. Ontgrendel de bonencontainer door hem tegen de klok in te draaien en verwijder hem uit de koffiemolen.
3. Draai de draaiknop voor de maalgraad (C) tegen de klok in totdat deze kan worden verwijderd.
4. Neem de reinigingsborstel (N) uit het compartiment (O).
5. Borstel de vlakke bramen (P) voorzichtig met de reinigingsborstel en zorg ervoor dat de oppervlakken schoon zijn.
6. Doe de reinigingsborstel terug in het doosje in de koffiemolen.
7. Plaats de keuzeknop voor de maalgraad terug door hem helemaal te draaien tot hij stopt en draai hem dan terug naar de gewenste instelling.
8. Plaats de bonencontainer op de koffiemolen en draai met de klok mee tot hij goed vastzit.
9. Bevestig het glazen deksel. De koffiemolen is nu weer klaar voor gebruik.



Recycling



Dit symbool op het product of op de verpakking geeft aan dat het product niet als huishoudelijk afval mag worden behandeld. Om je product te recyclen, breng je het naar een officieel inzamelpunt dat elektrische onderdelen veilig en professioneel kan verwijderen en recyclen. Scheid de niet-elektrische onderdelen en recycle ze volgens de plaatselijke voorschriften. Recycle de verpakking.

NL

Problemen oplossen

Raadpleeg voor het oplossen van problemen de onderstaande tabel, ga naar aarke.com/support of scan de QR-code.



Probleem	Oorzaak	Oplossing
De ledindicator (H) knippert continu rood.	Er zitten niet genoeg bonen in de bonencontainer om de maling af te maken.	Vul de bonencontainer en druk op de knop, waarna de koffiemolen de reeds begonnen batch maalt.
Als de START/STOP-knop wordt ingedrukt, knippert de ledindicator (H) drie keer rood.	De keuzeknop (I) staat tussen twee modi in.	Draai de keuzeknop (I) in de stand.
Als de START/STOP-knop wordt ingedrukt, knippert de ledindicator (H) drie keer rood.	De automatische maalstand (A) is geselecteerd, maar er is geen verbinding met het koffiezetapparaat.	Controleer of de netsnoeren zijn aangesloten op een stopcontact en of het aansluitsnoer (M) is aangesloten op beide apparaten.
De keuzeknop (I) staat in de automatische modus "A" en de ledindicator (H) is rood.	Er is geen verbinding tussen de koffiemolen en het koffiezetapparaat.	Controleer het aansluitsnoer (F).

Klantenondersteuning

Als u contact opneemt met de klantenservice, zorg er dan voor dat u de volgende informatie bij de hand hebt: Model en serienummer. Deze informatie is te vinden op het typeplaatje aan de onderkant van de koffiemolen. Vanwege het beleid van Aarke om voortdurend producten te ontwikkelen, kunnen de specificaties, kleuren en details van onze producten en de producten die in deze handleiding worden genoemd, zonder voorafgaande kennisgeving worden gewijzigd.

Ga voor ondersteuning naar aarke.com/support of stuur een e-mail naar support@aarke.com.

SV INSTRUKTIONSMANUAL

Aarke Coffee Grinder

Model A1340 - 1352


LÄS NOGGRANT IGENOM DENNA INSTRUKTIONSMANUAL FÖRE ANVÄNDNING. SPARA DEN FÖR FRAMTIDA BRUK. Grafik och ritningar i denna bruksanvisning är endast för illustrationsändamål och kan skilja sig gentemot den faktiska produkten.

Komponenter

A Glaslock	F Aarke AutoGrind™ Connector Cord	K Strömkabel
B Bönbehållare	G START/STOPP-knapp	L Förvaringsfack borste
C Malstorleksvred	H LED Indikator	M Aarke AutoGrind™ Connector
D Utlopp	I Vred för antal koppar	
E Malningskopp	J Finjusteringsvred	

SV

VIKTIGT OM SÄKERHET

- **WARNING!** Använd denna apparat i enlighet med bruksanvisningen. Felaktig användning kan ge upphov till elstötar eller andra faror.
- **WARNING!** Använd inte denna apparat med en skadad sladd eller kontakt, eller om apparaten inte fungerar som den ska för att undvika fara. Kontrollera alltid apparatens skick före användning.
- **WARNING!** Sänk aldrig ned apparaten, sladden eller kontakten i vatten eller i någon annan vätska. 
- **WARNING!** Vidrör inte kvarnen när den körs.
- Använd inte en adapter med denna apparat.
- Lämna inte kvarnen utan uppsikt under användning. Övervakning är nödvändigt vid användning i närheten av barn. Använd inte apparaten inom räckhåll för barn. Hindra barn från att dra i sladden eller att välta apparaten.
- Denna apparat måste kopplas in i ett jordat uttag för att säkerställa skydd mot risken för elektrisk shock eller brand.
- Denna apparat är utformad för att koppla bort den spänningsförande strömförsörjningen från elementet under onormala driftsförhållanden.
- Dra inte i sladden för att koppla ur kontakten ur uttaget. Koppla inte ur kontakten med en blöt hand.
- Innan apparaten ansluts till vägguttaget ska du kontrollera att uttagets matningsspänning motsvarar den som anges på etiketten som sitter på undersidan av apparaten. Om den inte gör det ska du inte använda apparaten, utan kontakta återförsäljaren.
- Användning av tillbehör som inte är rekommenderade av tillverkaren kan leda till brand, elsötar eller personskada.
- Denna apparat kan användas av personer (inklusive barn över 8 år) med fysisk, psykisk eller varseblivningsrelaterad funktionsvariation eller oerfarna och okunniga personer, förutsatt att det sker under överinseende av annan person eller att de blivit instruerade i hur man använder apparaten på ett säkert sätt och förstår de som är förknippade med den. Rengörning och underhåll ska inte göras av barn så länge de inte är äldre än 8 år och övervakade. Förvara apparaten och strömsladden utom räckhåll för barn yngre än 8 år.
- Barn får inte leka med apparaten. Om barn befinner sig i närheten medan apparaten används ska du se till att de håller sig på ett betryggande avstånd.
- Denna apparat är avsedd att användas i hushållet och andra liknande användningsområden, exempelvis: personalkök i butiks- eller kontorslokaler och andra arbetsmiljöer; bondgårdar; gäster på hotell, motell och andra bostadsliknande miljöer; pensionatsliknande miljöer.
- Stäng av apparaten och dra ut nätverkssladden innan montering och demontering av olika delar samt före rengöring.
- Denna apparat bör användas under uppsyn.

- Ta inte bort bottenpanelen på denna apparat. Det finns inga delar inuti som är går att reparera av en vanlig användare. Reparation ska enbart utföras av auktoriserad service personal.
- Kvarnen är enbart avsedd för malning av kaffeböner. Använd aldrig kvarnen för andra föremål eller matvaror än kaffeböner eller rengöringsböner tillverkade specifikt för kvarnrengörning.
- Använd inte apparaten i närheten av explosiva och/eller lättantändliga ångor.
- Kontrollera bönbehållaren efter okända objekt som inte är kaffeböner före användning.
- Kvarnen måste användas på ett torrt, platt, underlag med säkert avstånd från kanten av bänken för att undvika risken att den välter. Viss vibration kan uppstå under användning vilket kan göra att kvarnen flyttar på sig.
- För korrekt användning, använd denna produkt mindre än 90 sekunder per gång med minst 90 sekunders vila mellan två användningscykler.
- Använd eller förvara inte denna apparat utomhus, i en fuktig miljö eller i minusgrader.
- Placera inte denna apparat där den kan nudda någon värmekälla. Exempelvis på eller nära en gasbrännare eller elektrisk brännare, i en uppvärmd ugn eller i en mikrovågsugn.
- Håll apparaten borta från vatten.
- Flytta aldrig apparaten under användning.
- Låt inte nätverkssladden hänga över bord eller bänkar och låt den inte nudda några varma ytor.
- Använd apparaten försiktigt och väljt den inte. Det kan leda till att apparaten och/eller inre komponenter.
- Undvik att spilla på nätverkssladden och/eller apparaten.
- Efter uppackning av apparaten, återvinn förpackningsmaterialet. Se till att hålla plast och annat förpackningsmaterial utom räckhåll för barn.

SPARA DESSA INSTRUKTIONER

Användning av din produkt

Före första användning

Packa försiktigt upp din Aarke Coffee Grinder och ta bort alla förpackningsmaterial. Diska bönbehållaren, glaslocket och malkoppen med ett mildt diskmedel och torka torrt före användning. Placera din Coffee Grinder på ett torrt och plant underlag. Placera bönbehållaren på toppen av kvarnen och vrid den medurs tills den sitter fast ordentligt. Anslut nätverkssladden till ett jordat eluttag.

Användning av produkten

1. Fyll bönbehållaren (B) med hela, rostade, kaffeböner. Se till att du har tillräckligt mycket kaffeböner för den mängd malt kaffe som du önskar (~7,5 g kaffe för varje kopp, 125 ml). Placera glaslocket (A) på toppen av bönbehållaren.
2. Välj din önskade malningsstorlek mellan 1 och 60 på malstorleksvredet (C) (1=fint, 60=grovt).
3. Använd malningsschemat, placerad på glaslocket (A), för guidning. För mer information om att välja malningsstorlek, se kapitel <Välj malningsstorlek>.
4. Välj önskat antal koppar "2", "3", "4", "5", "6", "8" eller "10" på vredet för antal koppar (I).
5. Du kan också välja "M" för Manual Mode, se kapitel nedan <Manual Mode> eller "A" för AutoGrind™ mode där Aarke Coffee Grinder är kopplad med Aarke Coffee Maker. Se kapitel <AutoGrind™> nedan för mer information.
6. Placera malningskoppen (E), eller din filterhållare från din Coffee Maker nedanför utloppet (D).
7. Tryck på START/STOPP knappen (G) och Aarke Coffee Grinder kommer mala motsvarande mängd kaffe till antalet valda koppar. Så länge som Coffee Grinder körs kommer LED indikator (H) pulsera med ett vitt ljus. När malningen är klar släcks LED indikator (H).

Notera:

- Du kan justera malningsstorleken för att balansera smaken på ditt kaffe till din personliga önskan. Om du tycker ditt kaffe smakar för bittert, testa en grövre malningsstorlek, om det lutar åt det syrliga hållet, testa en finare malningsstorlek.
- Mängden kaffe som levereras kan variera beroende på kaffebönans rostningsgrad och den valda malningsstorleken. Om du önskar mer precision, använd finjusteringsvredet (J) för att justera mängden kaffe som levereras.
- Aarke Coffee Grinder har ett malningsminne. Om kaffebönorna i bönbehållaren tar slut innan malningen är klart kommer LED indikator (H) blinka med ett rött ljus. Fyll på bönbehållaren med bönor och tryck på START/STOPP knappen. Nu kommer Coffee Grinder fortsätta malningen med den kvarvarande tiden på den påbörjade dosen och LED indikator (H) kommer pulsera med ett vitt ljus.

Välj malningsstorlek

Vi rekommenderar att du väljer malningsstorlek innan du börjar mala kaffe. Rekommenderad malningsstorlek beror på vilken typ av bryggningsmetod du vill använda. Med malstorleksvredet (C) kan du välja storlek i ett spann mellan 1-60 beroende på bryggningsmetod (1 = fint, 60 = grovt). I malningsguiden på glaslocket (A) kan du se vilket spann som passar din bryggningsmetod. Den rekommenderade malningsstorleken visas också i Tabell 1.

Olika kaffebönor kan kräva olika malningsstorlek för samma bryggningsmetod. Om ditt kaffe är starkt och bittert, testa en grövre malningsstorlek (ett högre nummer på malstorleksvredet). Om smaken på ditt kaffe är för syrligt, testa en finare malningsstorlek (lägre nummer på malstorleksvredet).

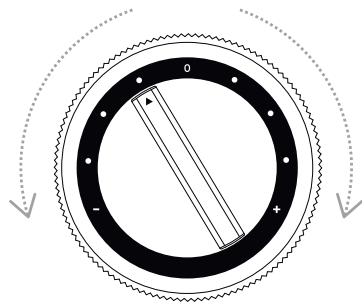
Om du vill ställa in en mindre storlek än den du nyss använt så rekommenderar vi att du maler en liten mängd kaffe vart femte steg på malstorleksvredet tills du nått den storlek du vill. Detta förhindrar motorn från att låsa sig.

	Bryggmetod	Intervall
	Mocca	10-20
	Aeropress	15-25
	Hand filtering	20-35
	Sifon	30-35
	Filter brewing	30-40
	Chemex	40-50
	French press	45-55
	Cold Brew	50-60

Table 1: Grind size recommendation.

Finjusteringsvred

Om du föredrar ditt kaffe lite starkare eller lite svagare, använd finjusteringsvredet (J) för att mala lite mer, eller mindre, än förinställningarna. För att öka mängden kaffe, vrid ratten till höger mot plustecknet "+". För att minska mängden, vrid ratten till vänster, mot minustecknet "-".



Manual mode

Manual Mode "M" används när kaffebönorna vägs separat och sedan hålls i en tom bönbehållare för malning (kallat Single Dosing). Efter att Aarke Coffee Grinder startats kommer den köra tills alla bönorna i bönbehållaren har tagit slut, sedan stanna automatiskt. Aarke Coffee Grinder kan också stoppas manuellt genom att trycka på START/STOP knappen.

Aarke AutoGrind™

Det är möjligt att koppla samman Aarke Coffee Grinder med Aarke Coffee Maker genom Aarke AutoGrind™ Connector Cord. Detta gör det möjligt för apparaterna att fungera tillsammans automatiskt. Baserat på mängden vatten i vattentanken på Aarke Coffee Maker kommer Aarke Coffee Grinder räkna ut och mala korrekt motsvarande mängd kaffe. Skanna QR-koden och läs med om Aarke Coffee System™.



SV

Koppla ihop produkterna

- Se till att båda produkterna är avstängda och urkopplade från eluttaget. Ta bort bönbehållaren från Aarke Coffee Grinder. Ta bort glaskaraffen, vattentankens lock och filterhållaren från Aarke Coffee Maker. Lägg försiktigt respektive produkt, på sidan, på ett mjukt underlag som skyddar ytan på produkten från att repas.
- Koppla in ena änden på Aarke AutoGrind™ Connector Cord i uttaget (M) under Aarke Coffee Grinder och den andra änden på uttaget på undersidan av Aarke Coffee Maker.
- Placera båda produkterna upprätt och ställ dem på en platt, torr, yta. Sätt i respektive nätverkssladd i ett jordat eluttag.

Använd Aarke AutoGrind™

1. Placera glaskaraffen, tillsammans med locket, på värmeplattan på Aarke Coffee Maker. Se till att glaskaraffen är ren.
2. Fyll vattentanken på Coffee Maker med kallt, rent, vatten. Nu kommer LED-lampan i tanken på bryggaren tändas.
3. Placera ett 1x4 standard filter i filterhållaren på bryggaren. Placera filterhållaren under utloppet på Coffee Grinder.
4. Fyll bönbehållaren med hela, rostade, kaffebönor. Se till att du har tillräckligt mycket kaffebönor för den mängd malt kaffe som du önskar (~7,5 g kaffe för varje kopp, 125 ml). Placera glaslocket på toppen av bönbehållaren.
5. Välj din önskade malningsstorlek mellan 1 och 60 på malstorleksvredet (C) (1=fint, 60=grovt). För mer information om att välja malningsstorlek, se kapitel <Välj malningsstorlek>.
6. Välj AutoGrind™ mode "A" på vredet för antal koppar (I). Nu kommer LED indikator (H) på kaffekvarnen att lysa med ett vitt sken. Om det lyser rött är något fel med kopplingen. Upprepa stegen i <Koppla ihop produkterna>.
7. Tryck på START/STOPP knappen (G) och kaffekvarnen kommer mala den mängd kaffe som överensstämmer med mängden vatten som finns i vattentanken på Aarke Coffee Maker. Så länge som kaffekvarnen körs kommer LED indikator (H) pulsera med ett vitt ljus. När malningen är klar släcks LED indikator (H).
8. Placera filterhållaren med det nymalda kaffet i sin position på Aarke Coffee Maker.
9. Tryck på PÅ/AV-knappen för att starta kaffe-bryggaren. Nu kommer LED indikator på kaffe-bryggaren lysa upp och bryggningen startas.
10. När kaffet är klart kommer LED-lampan i vattentankens fönster att slockna.

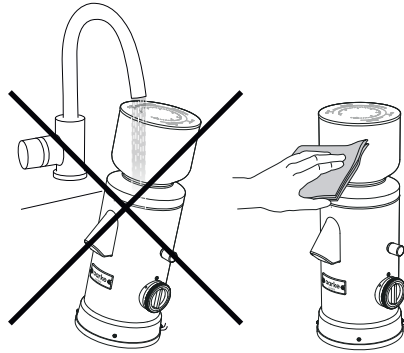
Notera:

- Finjusteringsvredet fungerar även i AutoGrind™ mode.

Rengöring och underhåll

Ordentlig rengöring och omhändertagande av denna produkt kommer medföra årtal av användning. Rengör den efter varje användning.

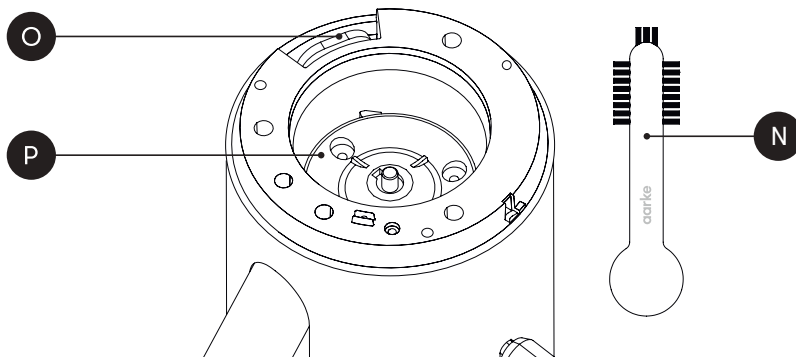
- Koppla alltid ur nätsladden från denna apparat och se till att rörliga delar har stannat innan rengöring påbörjas av kaffekvarnen.
- Sänk aldrig ned denna apparat i vatten för rengöring.
- Använd en mjuk, fuktad, trasa för att rengöra utsidan av denna produkt. Använd inte slipande rengöringsmedel, stålull eller andra material som kan repa produkten vid rengöring.
- Diska bönbehållaren med ett mildt diskmedel och skölj noggrant.
- Glaslocket och malningskoppen kan diskas i diskmaskin.
- Rengör malskivorna var tredje månad, eller oftare.
- Innan du byter bönsort, rekommenderas att tömma ut eventuellt kvarvarande kaffe och malt kaffe som kan finnas kvar inuti kvarnen. Töm först bönbehållaren. Sätt tillbaka bönbehållaren på toppen av kaffekvarnen och vrid sedan vredet för antal koppar (I) till "M" och kör kaffekvarnen tills den stannar automatiskt. Upprepa en gång.



SV

Rengör malskivorna

1. Se till att Aarke Coffee Grinder är placerad på en torr och plan yta.
2. Ta bort bönbehållaren genom att vrida den motsols och ta sedan bort den från kaffekvarnen.
3. Vrid malstorleksvredet (C) motsols tills den går att plocka bort.
4. Ta ut rengöringsborsten (N) från förvaringsfacket (O).
5. Borsta försiktigt malskivorna (P) med borsten och se till att ytorna är rena.
6. Sätt tillbaka rengöringsborsten i förvaringsfacket i kaffekvarnen.
7. Sätt tillbaka malstorleksvredet genom att skruva den medsols hela vägen tills den tar stopp. Den kan sedan vridas tillbaka till önskad malningsstorlek.
8. Placera bönbehållaren på kaffekvarnen och vrid den medsols tills den sitter fast.
9. Sätt fast glaslocket. Aarke Coffee Grinder är sedan redo för användning igen



Återvinning



Den här symbolen på produkten eller dess förpackning betyder att den inte får kasseras som vanligt hushållsavfall. Lämna in produkten för återvinning på en officiell uppsamlings- eller miljöstation där elektriska och elektroniska komponenterna kan återvinnas på ett säkert och sakkunnigt sätt. Följ nationella regler för separat insamling av elektriska och elektroniska produkter.

Felsökning

För felsökning, se tabellen nedan eller besök aarke.com/support or scan the QR code.



SV

Problem	Orsak	Lösning
LED indikator (H) blinkar kontinuerligt med ett rött ljus.	Det finns inte tillräckligt med bönor för att fullfölja den valda malningen.	Fyll bönbehållaren med bönor och tryck på START/STOPP knappen och Coffee Grinder kommer fortsätta den startade malningen.
START/STOPP knappen är intryckt LED indikator (H) blinkar 3 gånger med ett rött ljus.	Vredet för koppstorlek (I) har hamnat mellan olika modes.	Rotera Vredet för koppstorlek (I) till en korrekt position.
START/STOPP knappen är intryckt LED indikator (H) blinkar 3 gånger med ett rött ljus.	Det automatiska läget (A) är valt men det finns ingen kontakt med kaffebyggaren.	Kontrollera att nätverksladdarna är korrekt ikopplade och kontrollera att de connection cord (M) är ikopplad i båda apparaterna
Vredet för koppstorlek (I) är in AutoGrind™ mode "A" och LED indikator (H) lyser med ett rött ljus.	Det finns ingen kontakt mellan kaffekvarnen och kaffebyggaren.	Kontrollera att Aarke AutoGrind™ connection cord (F).

Kundtjänst

När du kontaktar kundtjänsten ska du ha följande uppgifter till hands: Modell och serienummer. Du hittar dessa uppgifter på märkplåten på undersidan av kaffekvarnen. På grund av Aarkes policy om kontinuerlig produktutveckling kan specifikationer, färger och uppgifter om våra produkter och de som omnämns i denna handbok ändras utan föregående meddelande.

För kundtjänst, besök aarke.com/support eller skicka ett mejl till support@aarke.com.

DA BRUGSANVISNING

Aarke Coffee Grinder

Model A1340 - 1352

LÆS DENNE BRUGSANVISNING NØJE FØR BRUG. OPBEVARES TIL FREMTIDIG BRUG.


Grafikken og tegningerne i denne brugervejledning er kun beregnet som en generel beskrivelse af produktet og kan afvige fra det konkrete produkt.

Komponenter

- | | | |
|---------------------------------------|--|--|
| A Glaslåg | E Kaffepulverbeholder | J Regulator for justering af styrke |
| B Kaffebønnebeholder | F Aarke AutoGrind™ Connector Cord | K Strømkabel |
| C Regulator for formalingsgrad | G START/STOP-knap | L Intern ledningsopbevaring |
| D Sliske | H LED-indikator | M Aarke AutoGrind™ Connector |
| | I Regulator for antal kopper | |

DA

VIGTIGE SIKKERHEDSFORANSTALTNINGER

- **ADVARSEL!** Følg disse instruktioner, når du bruger apparatet. Forkert brug kan forårsage elektrisk stød eller føre til andre farlige situationer.
- **ADVARSEL!** For at undgå fare må du ikke bruge apparatet, hvis det er beskadiget, har en defekt strømforsyning, eller hvis apparatet ikke fungerer korrekt. Kontrollér altid apparatet før brug.
- **ADVARSEL!** Nedsænk ikke strømkablet, stikket eller nogen anden del af apparatet i vand eller andre væsker for at undgå risiko for elektrisk stød. 
- **ADVARSEL!** Rør ikke ved kværnen, når den er i drift.
- Brug ikke en adapter sammen med dette apparat.
- Efterlad aldrig kværnen uden opsyn, når den er i brug. Tæt opsyn er nødvendigt, når apparatet bruges af eller i nærheden af børn. Må ikke bruges inden for børns rækkevidde. Sørg for, at børn ikke trækker i ledningen eller vælter apparatet.
- Dette apparat skal tilsluttes en jordet stikkontakt for at beskytte mod risikoen for elektrisk stød eller brand.
- Apparatet er designet til at afbryde strømforsyningen fra elementet ved unormal drift.
- Træk ikke i kablet for at afbryde strømforsyningen, og tag ikke stikket ud med våde hænder.
- Før du tilslutter apparatet til strømforsyningen, skal du sikre dig, at den elektriske spænding, der er angivet på ydelsesskiltet på undersiden af apparatet, svarer til spændingen i dit hjem. Hvis dette ikke er tilfældet, må du ikke bruge apparatet.
- Brug af tilbehør, der ikke er godkendt af apparatets producent, kan resultere i brand, elektrisk stød eller personskaade.
- Dette apparat kan bruges af personer (inklusive børn over 8 år) med nedsatte fysiske, sensoriske eller mentale evner eller mangel på erfaring og viden, hvis de er under opsyn eller har fået instruktion i sikker brug af apparatet, og hvis de forstår de involverede farer. Rengøring og vedligeholdelse må ikke udføres af børn, medmindre de er over 8 år og er under opsyn. Hold apparatet og dets strømkabel utilgængeligt for børn under 8 år.
- Børn må ikke lege med apparatet. Hvis der er børn til stede, mens apparatet er i brug, skal de holdes på sikker afstand. Sørg for, at børn ikke trækker i ledningen eller vælter apparatet.
- Dette apparat er beregnet til at blive brugt i husholdninger og lignende anvendelse såsom: personalekøkkener i butikker, kontor- og andre arbejdsmiljøer, på hoteller, moteller og i lignende miljøer, f.eks. bed and breakfast-steder.
- Sluk for apparatet, og tag ledningen ud af stikkontakten, før du samler eller adskiller komponenter samt før rengøring.
- Dette apparat skal betjenes under opsyn.

- Fjern ikke apparatets bundpanel. Der er ingen dele indei, der kan repareres af brugeren. Reparationer må kun udføres af autoriseret personale.
- Kværnen er beregnet til maling af kaffebønner. Kom ikke andet end kaffebønner og kværnrens i kaffekværnen.
- Må ikke betjenes i nærheden af eksplosive og/eller brændbare dampe.
- Kontrollér kaffebønnebeholderen for fremmedlegemer før brug.
- Betjen kværnen på en flad, tør overflade, væk fra bordkanten for at forhindre, at den falder ned ved et uheld. Vibrationer under betjening kan få kværnen til at bevæge sig.
- For korrekt brug skal du betjene apparatet i mindre end 90 sekunder pr. gang med minimum 90 sekunders hviletid mellem to kontinuerlige cyklusser.
- Opbevar eller brug ikke dette apparat udendørs, i fugtige områder eller i frostgrader.
- Anbring ikke apparatet, hvor det kan komme i kontakt med andre varmekilder, f.eks. på eller i nærheden af en gas- eller elektrisk kogeplade, i en opvarmet ovn eller i en mikrobølgeovn.
- Hold apparatet væk fra vand.
- Flyt aldrig apparatet under brug.
- Lad ikke strømkablet hænge ud over bordkanten, og lad det ikke komme i kontakt med varme overflader.
- Pas på ikke at tæbe apparatet eller lade det vælte, da det kan beskadige apparatet og/eller interne komponenter.
- Undgå at spilde væske på strømkablet og/eller apparatet.
- Efter udpakning af apparatet, skal du sørge for, at plastikposer og anden emballage genanvendes. Opbevares utilgængeligt for børn.

GEM DISSE INSTRUKTIONER

Betjening af dit produkt

Før første brug

Pak din Aarke Coffee Grinder forsigtigt ud, og fjern emballagen. Vask bønnebeholderen, glaslåget og kaffepulverbeholderen med et mildt rengøringsmiddel, og tør dem af før brug. Placer kaffekværnen på en flad, tør overflade. Placer bønnebeholderen oven på kaffekværnen, og drej med uret, indtil den sidder på plads. Tilslut strømkablet til en jordet stikkontakt.

Betjening af produktet

1. Fyld kaffebønnebeholderen (B) med ristede, hele kaffebønner. Sørg for at have nok kaffebønner i beholderen til den mængde formålet kaffe, du ønsker (-7,5 g kaffe for hver 125 ml kop). Placer glaslåget (A) oven på bønnebeholderen.
2. Vælg den foretrukne formalingsgrad mellem 1 og 60 på indstillingen (C) (1 = fin, 60 = grov).
3. Brug formalingskemaet på glaslåget (A) som vejledning. For mere information om valg af formalingsgrad, se afsnittet <Indstil formalingsgrad>.
4. Vælg antallet af kopper "2", "3", "4", "5", "6", "8" eller "10" på Regulator for antal kopper (I).
5. Du kan også vælge "M" for manuel tilstand, se afsnittet <Manuel tilstand> nedenfor eller "A" for AutoGrind™-tilstand, hvor kaffekværnen er forbundet til Aarke Coffee Maker. Se afsnittet <AutoGrind™> nedenfor for mere information.
6. Placer kaffepulverbeholderen (E) eller filterholderen fra din kaffemaskine under slisken (D).
7. Tryk på START/STOP-knappen (G), hvorefter kaffekværnen formaler den mængde kaffe, der svarer til det valgte antal kopper. Mens kaffekværnen er i drift, blinker LED-indikatoren (H). Når formalingscyklusen er afsluttet, slukkes LED-indikatoren (H).

Bemærk:

- Du kan justere formalingsgraden for at afbalancere kaffen efter din personlige smag. Hvis du synes, kaffen er for bitter, så prøv en grovere maling. Hvis det hælder til den syrlige side, så gå efter en finere maling.
- Mængden af formalet kaffe kan variere lidt afhængigt af bønnens ristningsniveau og formalingens graden. Hvis der kræves mere præcision, kan styrkeregulatoren (J) bruges til at finjustere mængden af kaffe.
- Kaffekværnen har en hukommelse for genoptagelse af formaling. Hvis bønnebeholderen løber tør for kaffebønner, før formalingscyklussen er afsluttet, vil LED-indikatoren (H) blinke rødt. Fyld bønnebeholderen op med kaffebønner, og tryk på START/STOP-knappen. Kaffekværnen vil nu færdiggøre den formalingscyklus, der allerede er påbegyndt, og LED-indikatoren (H) på kaffekværnen blinker hvidt.

Indstil formalingsgraden

Inden du begynder at formale bønnerne, anbefaler vi, at du indstiller formalingsgraden. Formalingsgraden afhænger af den bryggemetode, du ønsker at bruge. Brug regulatoren for formalingsgrad (C) til at indstille formalingens graden inden for intervallet 1-60 afhængigt af bryggemetoden (1 = fin, 60 = groft). Formalingsskemaet på glaslåget (A) viser det interval, der passer til din bryggemetode. Det anbefalede interval for formalingsgrad er også vist i tabel 1 nedenfor.

Forskellige kaffebønner kan kræve forskellige formalingsgrad for den samme bryggemetode. Hvis din kaffe smager stærkt og bittert, skal du ændre til en grovere formaling (et højere tal på regulatoren). Hvis smagen af din kaffe er for syrlig, skal du skifte til en finere formaling (et lavere tal på regulatoren).

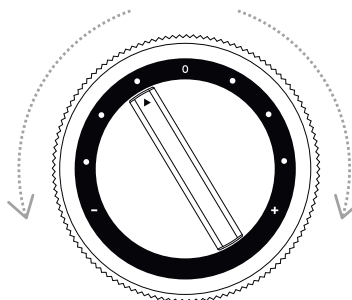
Hvis du vil ændre til en finere formaling end den, der er i brug, anbefaler vi, at du formaler en lille mængde kaffe hvert femte trin på regulatoren for formalingens grad, indtil du når indstillingen for finere formaling. Det forhindrer motoren i at låse.

Regulator for justering af styrke

Hvis du foretrækker din kaffe lidt stærkere eller lidt mildere, skal du bruge regulatoren for justering af styrke (J) til at justere kaffekværnen, så den formale lidt mere eller lidt mindre kaffe end de forudindstillede mængder. For at øge mængden af kaffe skal du dreje styrkeregulatoren til højre mod plustegnet "+". For at reducere mængden af kaffe skal du dreje den til venstre mod minustegnet "-".

	Bryggemetode	Interval
	Mocca	10-20
	Aeropress	15-25
	Pour over	20-35
	Sifon	30-35
	Filterkaffe	30-40
	Chemex	40-50
	Stempelkaffe	45-55
	Cold Brew	50-60

Tabel 1: Anbefalet formalingens grad.



Manuel tilstand

Brug manuel tilstand **"M"**, når du vil veje bønnerne separat og placere dem i den tomme bønnebeholder til formaling (enkelt dosering). Når kaffekværnen startes i manuel tilstand, kører den, indtil alle bønnerne i bønnebeholderen er malet og stopper derefter automatisk. Kaffekværnen kan også stoppes manuelt ved at trykke på START/STOP-knappen.

Aarke AutoGrind™

Aarke Coffee Grinder kan forbindes med Aarke Coffee Maker via Aarke AutoGrind™ Connector Cord. Dette forbindelseskabel gør det muligt for de to apparater at fungere automatisk sammen. Baseret på mængden af vand i vandtanken på Aarke Coffee Maker vil Aarke Coffee Grinder beregne og formale den tilsvarende mængde kaffe. Scan QR-koden for at læse mere om Aarke Coffee System™.



DA

Forbind apparaterne

- Sørg for, at begge apparater er slukket og afbrudt fra stikkontakten. Fjern kaffebønnebeholderen fra Aarke Coffee Grinder. Fjern glaskanden, vandbeholderens låg og filterholderen fra Aarke Coffee Maker. Anbring forsigtigt hvert apparat på siden, på en klud eller et andet blødt materiale, der beskytter mod ridser.
- Sæt den ene ende af Aarke AutoGrind™ Connector Cord i stikket (M) under Aarke Coffee Grinder og den anden ende i stikket under Aarke Coffee Maker.
- Stil begge apparater oprejst, og placer dem på en flad, tør overflade. Sæt begge strømkabler i en jordet stikkontakt.

Betjening af Aarke AutoGrind™

1. Placer glaskanden med låget på på kaffemaskinens varmeplade. Sørg for, at glaskanden er ren.
2. Fyld kaffemaskinens vandbeholder med rent, koldt vand. Vandbeholder-LED på kaffemaskinen vil lyse.
3. Placer et 1x4 standardfilter i filterholderen. Placer filterholderen under kaffekværnens sliske.
4. Fyld kaffebønnebeholderen (B) med ristede, hele kaffebønner. Sørg for, at der er nok kaffebønner til den mængde malet kaffe, du ønsker (~7,5 g kaffe for hver 125 ml kop). Placer glaslåget (A) oven på bønnebeholderen.
5. Vælg den foretrukne formalingsgrad på regulatoren for formalingsgrad. Brug eventuelt formalingskemaet på glaslåget (A) som vejledning. For mere information om valg af formalingsgrad, se afsnittet <Indstil formalingsgrad>.
6. Vælg AutoGrind™-tilstand **"A"** på regulatoren for antal kopper (I). LED-indikatoren (H) på kaffekværnen lyser hvidt. Hvis LED-indikatoren (H) bliver rød, er der noget galt med forbindelsen. Gentag trinene i <Forbind apparaterne>.
7. Tryk på START/STOP-knappen (G), og kaffekværnen vil male en mængde kaffe, der svarer til mængden af vand i kaffemaskinens vandbeholder. Mens kaffekværnen er i drift, blinker LED-indikatoren (H). Når formalingen er færdig, slukkes LED-indikatoren (H).
8. Placer filterholderen med den friskkværnede kaffe på plads på kaffemaskinen.
9. Tryk på tænd/sluk-knappen for at starte kaffemaskinen. LED-indikatoren på kaffemaskinen lyser, og bryggecyklussen starter.
10. Når kaffen er klar, slukkes LED-indikatoren i vandstandsvinduet.

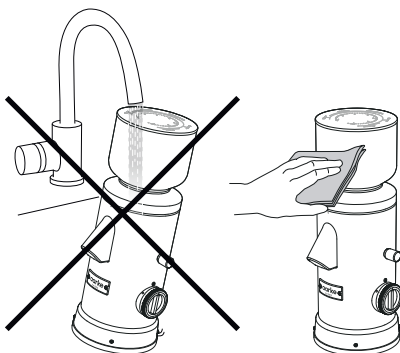
Bemærk:

- Regulatoren for justering af styrken fungerer også i AutoGrind™-tilstand.

Rengøring og vedligeholdelse

Korrekt rengøring og vedligeholdelse vil sikre, at dette apparat kan bruges i mange år. Rengør apparatet efter hver brug.

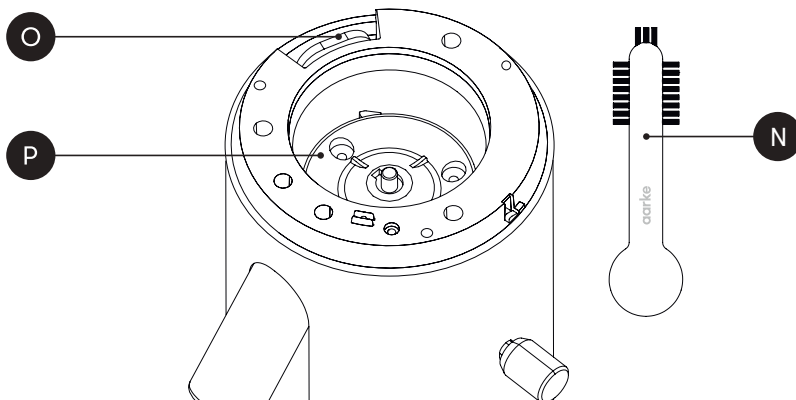
- Tag altid stikket ud af stikkontakten, og sørg for, at delene er holdt op med at bevæge sig, før du rengør kaffekværnen.
- Nedsæk ikke apparatet i vand under rengøring.
- Brug en blød, fugtig klud til at rengøre ydersiden af apparatet. Rengør ikke apparatet med skræppe rengøringsmidler, ståluld eller andre slibende materialer.
- Vask bønnebeholderen med et mildt rengøringsmiddel, og skyl grundigt.
- Glaslåget og kaffepulverbeholderen tåler opvaskemaskine.
- Rengør kværnens grater hver tredje måned eller oftere.
- Når du skifter bønner, skal du fjerne eventuelle kafferester, der er tilbage inde i kaffekværnen, før du hælder nye bønner i kaffebønnebeholderen. Tøm først bønnebeholderen. Sæt bønnebeholderen tilbage på kaffekværnen, og drej regulatoren for antal kopper (!) til "M", og køр kaffekværnen, indtil den stopper automatisk. Gentag én gang.



DA

Rens graterne

1. Sørg for, at kaffekværnen er placeret på en flad, tør overflade.
2. Lås bønnebeholderen op ved at dreje den mod uret, og fjern den fra kaffekværnen.
3. Drej regulatoren for formalingsgrad (C) mod uret, indtil den kan fjernes.
4. Tag rensbørsten (N) ud af dens opbevaringsrum (O).
5. Børst forsigtigt de flade grater (P) med rensbørsten, og sørg for, at overfladerne er rene.
6. Sæt rensbørsten tilbage i dens hylster på kaffekværnen.
7. Sæt regulatoren for formalingsgrad på igen ved at dreje den hele vejen på, indtil den stopper, og drej den derefter tilbage til den ønskede indstilling.
8. Placer bønnebeholderen på kaffekværnen, og drej den med uret, indtil den sidder rigtigt på plads.
9. Sæt glaslåget på. Kaffekværnen er nu klar til brug igen.



Genanvendelse



Dette symbol på produktet eller på dets emballage angiver, at produktet ikke må behandles som husholdningsaffald. For at genanvende dit produkt skal du indlevere det til din lokale genbrugsstation, der fjerner og genanvender elektriske komponenter sikkert og professionelt. Adskil de ikke-elektriske dele, og sørg for, at de genanvendes i henhold til lokale regler. Genanvend emballagen.

Fejlfinding

For fejlfinding se tabellen nedenfor, besøg aarke.com/support, eller scan QR-koden.



DA

Problem	Årsag	Løsning
LED-indikatoren (H) blinker rødt konstant.	Der er ikke nok bønner i beholderen til at fuldføre formalingen.	Fyld kaffebønnebeholderen, og tryk på knappen, hvorefter kaffekværnen afslutter den formalingscyklus, der allerede er påbegyndt.
Når der trykkes på START/STOP-knappen, blinker LED-indikatoren (H) rødt tre gange.	Regulatoren for antal kopper (I) står imellem to indstillinger.	Drej regulatoren (I) til en af de to indstillinger.
Når der trykkes på START/STOP-knappen, blinker LED-indikatoren (H) rødt tre gange.	AutoGrind-tilstand (A) er valgt, men der er ingen forbindelse til kaffemaskinen.	Kontrollér, at strømkablet er sat i en stikkontakt, og at forbindelseskablet (M) er sat i begge apparater.
Regulatoren for antal kopper (I) er i automatisk tilstand "A", og LED-indikatoren (H) er rødt.	Der er ingen forbindelse mellem kaffekværnen og kaffemaskinen.	Kontrollér forbindelseskablet (F).

Kundesupport

Når du kontakter kundeservice, skal du sikre dig, at du har følgende oplysninger til rådighed: Model- og serienummer. Disse oplysninger kan findes på skiltet på undersiden af kaffekværnen. På grund af Aarkes politik om løbende produktudvikling kan specifikationer, farver og oplysninger om vores produkter i og uden for denne manual ændres uden varsel.

Besøg aarke.com/support for at få support, eller send en e-mail til support@aarke.com.

FI KÄYTTÖOHJE

Aarke Coffee Grinder -kahvimylly

Malli A1340 - 1352

LUE TÄMÄ KÄYTTÖOHJE HUOLELLISESTI ENNEN KÄYTTÖÄ. SÄILYTÄ MYÖHEMPÄÄ KÄYTTÖÄ VARTEN.

Tämän käyttöoppaan kuvat ja piirustukset on tarkoitettu vain tuotteen yleiseksi kuvaukseksi, ja ne voivat poiketa itse tuotteesta.

Osat

A Lasikansi	F Aarke AutoGrind™ -liitinjohto	K Virtajohto
B Papusäiliö	G Käynnistys-/pysäytyspainike	L Integroitu johdon säilytys
C Jauhatuskarkeuden valitsin	H LED-merkivalo	M Aarke AutoGrind™ -liitin
D Kouru	I Kuppivalitsin	
E Kahvijauhesäiliö	J Vahvuuden hienosäädin	

FI

TÄRKEITÄ SUOJATOIMIA

- **VAROITUS!** Noudata näitä ohjeita, kun käytät laitetta. Virheellinen käyttö voi aiheuttaa sähköiskun tai muun vaaran.
- **VAROITUS!** Väärän välttämiseksi laitetta ei pidä käyttää, jos se tai sen virtajohto tai pistoke on vaurioitunut tai jos laite ei toimi oikein. Tarkista laite aina ennen käyttöä.
- **VAROITUS!** Sähköiskun vaaran vuoksi virtajohtoa, pistoketta tai mitään muuta laitteen osaa ei saa upottaa veteen tai muihin nesteisiin.
- **VAROITUS!** Älä koske kahvimyllyyn sen ollessa käynnissä.
- Tämän laitteen kanssa ei saa käyttää virta-adapteria.
- Kahvimyllyä ei saa koskaan jättää ilman valvontaa käytön aikana. Käyttöä on valvottava tarkasti, kun lapsi käyttää laitetta tai kun laitetta käytetään lasten lähellä. Ei saa käyttää lasten ulottuvilla. Lapsia on estettävä vetämästä virtajohdosta tai kaatamasta laitetta.
- Tämä laite on liitettävä maadoitettuun pistorasiaan, jotta vältetään sähköiskun tai tulipalon vaara.
- Laite on suunniteltu katkaisemaan jännitteinen virtalähde vastuksesta epänormaaleissa käyttöolosuhteissa.
- Pistoketta ei saa irrottaa pistorasiasta virtajohdosta vetämällä eikä märin käsin.



- Varmista ennen laitteen liittämistä virtalähteeseen, että laitteen pohjassa olevassa arvokilvessä ilmoitettu jännite vastaa kotisi jännitettä. Jos näin ei ole, älä käytä laitetta.
- Muiden kuin laitteen valmistajan hyväksymien lisävarusteiden käyttö voi aiheuttaa tulipalon, sähköiskun tai vamman.
- Tätä laitetta voivat käyttää henkilöt (myös 8-vuotiaat tai sitä vanhemmat lapset), joilla on alentunut fyysinen, aistitoimintoihin liittyvä tai henkinen toimintakyky tai joilta puuttuu kokemusta ja tietoa, jos heitä valvotaan asianmukaisesti tai jos heitä on ohjeistettu laitteen turvallisesta käytöstä ja jos he ymmärtävät siihen liittyvät vaarat. Alle 8-vuotiaiden lasten ei ole sallittua tehdä puhdistus- ja käyttäjälle sallittuja huoltotoimia ilman valvontaa. Laite ja sen virtajohto on pidettävä alle 8-vuotiaiden lasten ulottumattomissa.
- Lasten ei saa antaa leikkiä laitteella. Laitteen käytön aikana on varmistettava, että lapset ovat turvallisella etäisyydellä. Lapsia on estettävä vetämästä virtajohdosta tai kaatamasta laitetta.
- Tämä laite on tarkoitettu kotitalous- tai muuhun vastaavaan käyttöön, esimerkiksi henkilökunnan keittiötiloissa kaupoissa, toimistoissa ja muissa työympäristöissä, maataloilla, asiakaskäyttöön hotelleissa, motelleissa ja muissa asuin- sekä aamiaismajoitustyyppisissä ympäristöissä.

- Sammuta laite ja irrota virtajohto pistorasiasta ennen osien kokoamista tai purkamista ja ennen puhdistusta.
- Tätä laitetta tulee käyttää valvottuna.
- Älä irrota laitteen pohjapaneelia. Sisällä ei ole osia, joiden huolto on sallittua käyttäjälle. Korjauksia saavat tehdä vain valtuutetut ammattilaiset.
- Kahvimylly on tarkoitettu kahvipapujen jauhamiseen. Älä laita kahvimyllyyn muita aineita kuin kahvipapuja ja kahvimyllyn puhdistusainetta.
- Ei saa käyttää räjähtävien ja/tai syttyvien höyryjen läheisyydessä.
- Tarkista papusäiliö vieraiden esineiden varalta ennen käyttöä.
- Käytä kahvimyllyä tasaisella, kuivalla alustalla, etäällä pöytätaimien reunasta, ettei se putoa vahingossa. Tärinä käytön aikana voi saada kahvimyllyn liikkumaan.
- Laitetta tulee käyttää alle 90 sekunnin ajan kerrallaan ja peräjälkeen toistettavien syklien välillä on pidettävä vähintään 90 sekunnin tauko.
- Laitetta ei saa säilyttää eikä käyttää ulkona, kosteissa tiloissa tai pakkasessa.
- Laitetta ei saa sijoittaa paikkaan, jossa se voi joutua kosketuksiin jonkin lämmönlähteen kanssa, esimerkiksi kaasu- tai sähköliedelle tai sen lähelle, lämmitettyyn uuniin tai mikroaaltouuniin.
- Laite on pidettävä poissa vedestä.
- Älä koskaan siirrä laitetta käytön aikana.
- Älä päästä virtajohtoa roikkumaan pöydän tai työtason reunan yli äläkä päästä sitä kosketuksiin kuumien pintojen kanssa.
- Varo pudottamasta laitetta tai antamasta sen kaatua, koska se voi vahingoittaa laitetta ja/tai sisäisiä osia.
- Vältä nesteen läikyttämistä virtajohdon ja/ tai laitteen päälle.
- Kun laite on purettu pakkauksesta, kierrätä muovipussit ja muut pakkausmateriaalit. Säilytettävä lasten ulottumattomissa.

SÄILYTÄ NÄMÄ OHJEET

Tuotteen käyttöönotto

Ennen ensimmäistä käyttöä

Ota Aarke Coffee Grinder -kahvimylly varovasti pakkauksesta ja poista kaikki pakkausmateriaalit. Pese papusäiliö, lasikansi ja kahvijauhesäiliö miedolla pesuaineella ja pyyhi kuivaksi ennen käyttöä. Aseta kahvimylly tasaiselle, kuivalle alustalle. Aseta papusäiliö kahvimyllyn päälle ja kierrä myötöpäivään, kunnes se on kunnolla kiinni. Liitä virtajohto maadoitettuun pistorasiaan.

Tuotteen käyttö

1. Täytä kokonaisia paahdettuja kahvipapuja papusäiliöön (B). Varmista, että kahvipapuja on riittävästi haluttua jauhetun kahvin määrää varten (~7,5 g kahvia 125 ml:n kuppia kohden). Aseta lasikansi (A) papusäiliön päälle.
2. Valitse jauhatuskarkeuden valitsimella (C) haluamasi jauhatuskarkeus väliltä 1–60 (1 = hieno, 60 = karkea).
3. Käytä ohjeena lasikannen (A) karkeuskaaviota. Lisätietoja jauhatuskarkeuden valitsemisesta on luvussa Jauhatuskarkeuden asettaminen.
4. Valitse kuppien määrä **2, 3, 4, 5, 6, 8** tai **10** kuppivalitsimesta (I).
5. Voit myös valita manuaalitalan valitsimella **M** (katso jäljempänä Manuaalitala) tai AutoGrind™ tilan valitsimella **A**, kun kahvimylly on kytketty Aarke-kahvinkeittimeen. Katso lisätietoja jäljempänä olevasta luvusta AutoGrind™.
6. Aseta kahvijauhesäiliö (E) tai kahvinkeitimen suodatinsuppilo kourun (D) alle.
7. Paina käynnistys-/pysäytyspainiketta (G). Kahvimylly jauhaa kahvimäärän, joka vastaa valittujen kuppien määrää. LED-merkkivalo (H) vilkkuu, kun kahvimylly on käynnissä. LED-merkkivalo (H) sammuu, kun jauhatusjakso on päättynyt.

Huomaa:





- Aromaia voi muuttaa oman maun mukaan säätämällä jauhatuskarkeutta. Jos kahvi on mielestäsi liian kitkerää, kokeile karkeampaa jauhatusta. Jos kahvi maistuu ennemmin liian happamalta, valitse hienempi jauhatus.
- Jauhetun kahvin määrä voi vaihdella hieman pavun paahtoasteen ja jauhatuskarkeuden mukaan. Jos halutaan enemmän tarkkuutta, jauhetun kahvin määrää voi hienosäätää vahvuuden hienosäätimellä (J).
- Kahvimyllyssä on jauhatusmuisti. Jos pavut loppuvat papusäiliöstä ennen jauhatusjakson päättymistä, LED-merkkivalo (H) vilkkuu punaisena. Täytä lisää papuja papusäiliöön ja paina käynnistys-/pysäytyspainiketta. Kahvimylly jauhaa aiemmin käynnistetyn jauhatuserän jäljellä olevan ajan, ja kahvimyllyn LED-merkkivalo (H) vilkkuu valkoisena.

Jauhatuskarkeuden asettaminen

Jauhatuskarkeus on suositeltavaa asettaa ennen jauhatuksen käynnistämistä. Jauhatuskarkeus valitaan keittomenetelmän mukaan. Aseta jauha-tuskarkeuden valitsimella (C) karkeus 1–60 keittomenetelmän mukaan (1 = hieno, 60 = karkea). Lasikannen (A) hiontakaaviossa on esitetty eri keittomenetelmille sopiva karkeusalue. Suositeltu jauhatuskarkeusalue on esitetty myös alla olevassa taulukossa 1.

Eri kahvipavuilla saatetaan tarvita eri jauhatuskarkeus samalle keittomenetelmälle. Jos kahvi maistuu vahvalta ja kitkerältä, vaihda karkeampaan jauhatuskarkeuteen (suurempi numero valitsimessa). Jos kahvi maistuu liian happamalta, vaihda hienompaan jauhatuskarkeuteen (pienempi numero valitsimessa).

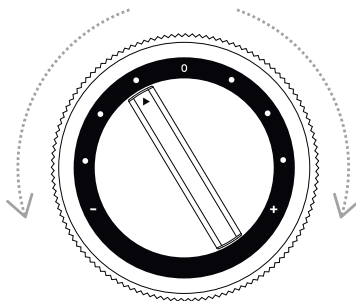
Jos haluat asettaa käytössä olevaa hienomman jauhatuskarkeuden, on suositeltavaa jauhaa pieni määrä kahvia jauhatuskarkeuden valitsimen viiden portaan välein, kunnes hienempi jauhatuskarkeusasetus saavutetaan. Tämä estää moottorin lukkiutumisen.

	Keittomenetelmä	Karkeusalue
	Mokka	10-20
	Aeropress	15-25
	Käsinsuodatus	20-35
	Sifoni	30-35
	Suodatinkeitto	30-40
	Chemex	40-50
	Ranskalainen pressopannu	45-55
	Kylmäuutto	50-60

Taulukko 1: Jauhatuskokosuositus.

Vahvuuden hienosäädin

Vahvuuden hienosäätimellä (J) voit säätää kahvimyllyn jauhamaan hieman esiasetusmäärää enemmän tai vähemmän kahvia sen mukaan, haluatko hieman vahvempaa vai laihempaa kahvia. Kahvin määrää lisätään kääntämällä vahvuuden hienosäädintä oikealle kohti plusmerkkiä +. Kahvin määrää vähennetään kääntämällä säädintä vasemmalle kohti miinusmerkkiä -.



Manuaalitila

Manuaalista tilaa **M** käyttämällä voit punnita pavut erikseen ja asettaa ne tyhjään säiliöön jauhamista varten (kerta-annos). Kun kahvimylly käynnistetään manuaalillassa, se kyy, kunnes kaikki papisäiliön pavut on jauhettu, ja pysähtyy sitten automaattisesti. Kahvimyllyn voi pysäyttää myös manuaalisesti painamalla käynnistys-/pysäytyspainiketta.

Aarke AutoGrind™

Aarke Coffee Grinder -kahvimylly voidaan liittää Aarke Coffee Maker -kahvinkeittimeen Aarke AutoGrind™ -liitinjohdolla. Tämä mahdollistaa laitteiden automaattisen toiminnan yhdessä. Aarke-kahvimylly laskee ja jauhaa kahvia oikean määrän Aarke-kahvinkeittimeen vesisäiliössä olevan vesimäärän perusteella. Lue lisää Aarke Coffee System™ -järjestelmästä skannaamalla QR-koodi.



Laitteiden liittäminen

- Varmista, että molemmat laitteet on kytketty pois päältä ja irrotettu pistorasioista. Irrota papisäiliö Aarke-kahvimyllystä. Poista lasikannu, vesisäiliön kansi ja suodatinsuppilo Aarke-kahvinkeitimestä. Aseta kumpikin laite varovasti kyljelleen kankaalle tai muulle pehmeälle materiaalille, joka suojaa niitä naarmuuntumiselta.
- Liitä Aarke AutoGrind™ -liitinjohdon toinen pää Aarke-kahvimyllyn alla olevaan liitinjohdon liitäntään (M) ja toinen pää Aarke-kahvinkeittimeen alla olevaan liitinjohdon liitäntään.
- Aseta molemmat tuotteet pystyyn ja aseta ne tasaiselle, kuivalle alustalle. Liitä kumpikin virtajohto maadoitettuun pistorasiaan.

Aarke AutoGrind™ -laitteen käyttö

1. Aseta lasikannu kansi paikoillaan kahvinkeittimeen lämpölevylle. Varmista, että lasikannu on puhdas.
2. Täytä puhdasta, kylmää vettä kahvinkeittimeen vesisäiliöön. Kahvinkeittimeen vesisäiliön merkkivalo syttyy.
3. Aseta yksi 1 x 4-standardisuodatin suodatinsuppiloon. Aseta suodatinsuppilo kahvimyllyn kourun alle.
4. Täytä kokonaisia paahdettuja kahvipapuja papisäiliöön (B). Varmista, että kahvipapuja on riittävästi haluttua kahvijauheen määrää varten (~7,5 g kahvia 125 ml:n kuppia kohden). Aseta lasikansi (A) papisäiliön päälle.
5. Valitse haluamasi jauhatuskarkeus jauhatuskarkeuden valitsimella. Käytä ohjeena lasikannen (A) karkeuskaaviota. Lisätietoja jauhatuskarkeuden valitsemisesta on luvussa Jauhatuskarkeuden asettaminen.
6. Valitse AutoGrind™-tila **A** on kuppivalitsimella (I). Kahvimyllyn LED-merkkivalo (H) palaa valkoisena. Jos LED-merkkivalo (H) muuttuu punaiseksi, liitännässä on jotain vikaa. Toista Laitteiden liittäminen -kohdan vaiheet.
7. Paina käynnistys-/pysäytyspainiketta (G). Kahvimylly jauhaa kahvia kahvinkeittimeen vesisäiliössä olevaa vesimäärää vastaavan määrän. LED-merkkivalo (H) vilkkuu, kun kahvimylly on käynnissä. LED-merkkivalo (H) sammuu, kun jauhatusjakso on päättynyt.
8. Aseta juuri jauhetun kahvin sisältävä suodatinsuppilo kahvinkeittimeen.
9. Käynnistä kahvinkeitin painamalla virtapainiketta. Kahvinkeittimeen LED-merkkivalo syttyy ja keittojakso käynnistyy.
10. Kun kahvi on valmista, vedenkorkeusikkunan LED-valo sammuu.

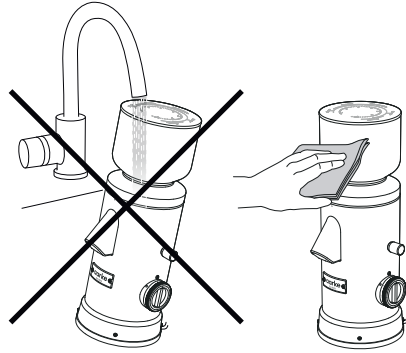
Huomaa:

- Vahvuuden hienosäädin toimii myös AutoGrind™-tilassa.

Puhdistus ja huolto

Asianmukaisella puhdistuksella ja huollolla laitteelle voidaan varmistaa pitkä käyttöikä. Puhdista se jokaisen käytön jälkeen.

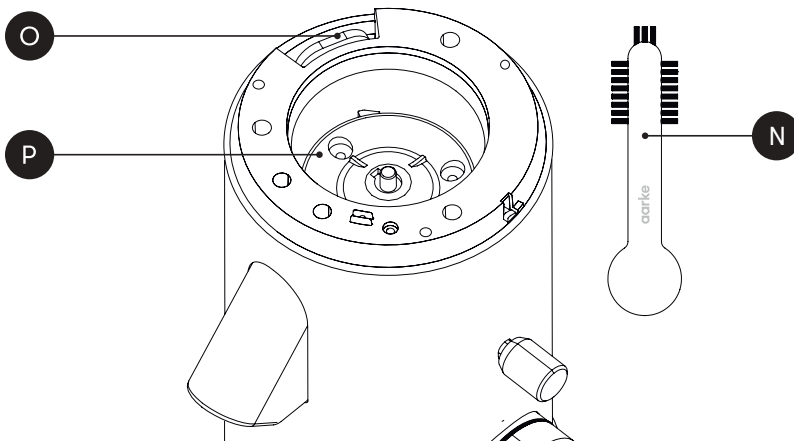
- Irrota kahvimylly aina pistorasiasta ja varmista, että osat ovat pysähtyneet ennen puhdistamista.
- Älä upota laitetta veteen, kun puhdistat sitä.
- Puhdista laitteen ulkopinta pehmeällä, kostealla liinalla. Älä puhdista laitetta kovilla puhdistusaineilla, teräsvillasiemenellä tai muilla hankaavilla materiaaleilla.
- Pese papusäiliö miedolla pesuaineella ja huuhtelee huolellisesti.
- Lasikansi ja kahvijauhesäiliö ovat konepestäviä.
- Puhdista kahvimyllyn terät kolmen kuukauden välein tai useammin.
- Kun vaihdat papuja, tyhjennä kahvimyllyn jääneet kahvijäämät, ennen kuin lisäät uusia papuja papusäiliöön. Tyhjennä ensin papusäiliö. Laita papusäiliö takaisin kahvimyllyyn ja käännä kuppivalitsin (I) asentoon **M** ja käytä kahvimyllyä, kunnes se pysähtyy automaattisesti. Toista kerran.



FI

Terien puhdistaminen

1. Varmista, että kahvimylly on sijoitettu tasaiselle, kuivalle alustalle.
2. Avaa papusäiliö kiertämällä sitä vastapäivään ja irrota se kahvimyllystä.
3. Kierrä jauhatuskarkeuden valitsinta (C) vastapäivään, kunnes sen voi irrottaa.
4. Ota puhdistusharja (N) ulos lokerostaan (O).
5. Harjaa litteät terät (P) huolellisesti puhdistusharjalla ja varmista, että pinnat ovat puhtaat.
6. Laita puhdistusharja takaisin kahvimyllyssä olevaan koteloonsa.
7. Kiinnitä jauhatuskarkeuden valitsin takaisin kiertämällä sitä, kunnes se pysähtyy. Kierrä se sitten takaisin haluttuun asetukseen.
8. Aseta papusäiliö kahvimyllyn päälle ja kierrä sitä myötäpäivään, kunnes se on kunnolla kiinni.
9. Kiinnitä lasikansi. Kahvimylly on nyt jälleen valmis käytettäväksi.



Kierrätys



Tämä tuotteessa tai sen pakkauksessa oleva merkki osoittaa, ettei tuotetta saa hävittää kotitalousjätteenä. Kierrätä laite viemällä se viralliseen keräyspisteeseen, jossa sen sähköosat voidaan poistaa ja kierrättää turvallisesti ja ammattimaisesti. Kierrätä muut kuin sähköosat erikseen paikallisten määräysten mukaisesti. Kierrätä pakkaus.

Vianmääritys

Katso vianmääritys alla olevasta taulukosta, osoitteesta aarke.com/support tai skanna QR-koodi.



FI

Ongelma	Syy	Ratkaisu
LED-merkkivalo (H) vilkkuu jatkuvasti punaisena.	Säiliössä ei ole tarpeeksi papuja valittua jauhatusta varten.	Täytä papuja papsäiliöön ja paina painiketta, niin kahvimylly jauhaa jo aloitetun erän loppuun.
LED-merkkivalo (H) vilkkuu punaisena kolme kertaa, kun käynnistys-/pysäytyspainiketta painetaan.	Kuppivalitsin (I) on tilojen välissä.	Käännä kuppivalitsin (I) johonkin toimintatilaan.
LED-merkkivalo (H) vilkkuu punaisena kolme kertaa, kun käynnistys-/pysäytyspainiketta painetaan.	Automaattinen jauhatustila (A) on valittuna, mutta yhteyttä kahvinkeittimeen ei ole.	Tarkista, että virtajohdot on liitetty pistorasiaan ja että liitinjohto (M) on liitetty kumpaankin laitteeseen.
Kuppivalitsin (I) on automaattitilassa A ja LED-merkkivalo (H) on punainen.	Kahvimyllyn ja kahvinkeittimeen välillä ei ole yhteyttä.	Tarkista liitinjohto (F).

Asiakastuki

Varaa seuraavat tiedot käsille, kun otat yhteyttä asiakaspalveluun: Malli ja sarjanumero. Nämä tiedot löytyvät kahvimyllyn pohjassa olevasta arvotarrasta. Aarke kehittää tuotteitaan jatkuvasti. Siksi tuotteidemme ja tässä oppaassa mainittujen tuotteiden tekniset tiedot, värit ja yksityiskohdat voivat muuttua ilman erillistä ilmoitusta.

Jos tarvitset tukea, käy osoitteessa aarke.com/support tai lähetä sähköpostia osoitteeseen support@aarke.com.

Aarke Coffee Grinder

Model A1340 - 1352

PRZED UŻYCIEM PRZECZYTAJ DOKŁADNIE NINIEJSZĄ INSTRUKCJĘ OBSŁUGI. ZACHOWAJ DO UŻYCIA W PRZYSZŁOŚCI.

Grafiki i rysunki zawarte w niniejszej instrukcji obsługi mają jedynie charakter ogólnego opisu produktu i mogą różnić się od samego produktu.

Elementy

- | | | |
|--------------------------------------|---|--|
| A Szklana pokrywka | E Pojemnik na zmieloną kawę | K Kabel zasilający |
| B Zbiornik na ziarna kawy | F Przewód łączący Aarke AutoGrind™ | L Wewnętrzny schowek na przewód |
| C Regulator stopnia zmielenia | G Przycisk START/STOP | M Złącze Aarke AutoGrind™ |
| D Rzynienka | H Wskaźnik LED | |
| | I Pokrętko liczby filiżanek | |
| | J Dokładne ustawianie mocy kawy | |

WAŻNE ŚRODKI OSTROŻNOŚCI

- **OSTRZEŻENIE!** Podczas korzystania z urządzenia postępuj zgodnie z poniższymi instrukcjami. Niewłaściwe użytkowanie może spowodować porażenie prądem lub wystąpienie innych zagrożeń.
- **OSTRZEŻENIE!** Aby uniknąć zagrożenia, nie używaj urządzenia, jeśli jest uszkodzone, ma uszkodzony przewód lub wtyczkę, lub nie działa prawidłowo. Zawsze sprawdzaj urządzenie przed użyciem.
- **OSTRZEŻENIE!** Nie wolno zanurzać przewodu zasilającego, wtyczki ani żadnej innej części urządzenia w wodzie lub innych płynach, aby uniknąć ryzyka porażenia prądem.
- **OSTRZEŻENIE!** Nie dotykaj młynka podczas pracy.
- Nie używaj przejściówek z tym urządzeniem.
- Nigdy nie pozostawiaj młynka bez nadzoru podczas pracy. Jeśli urządzenie jest używane przez dzieci lub w ich pobliżu, konieczny jest ścisły nadzór. Nie należy używać urządzenia, jeśli jest ono w zasięgu dzieci. Nie wolno dopuścić, aby dzieci ciągnęły za przewód zasilający lub przewróciły urządzenie.
- Aby zabezpieczyć się przed porażeniem prądem elektrycznym lub pożarem, urządzenie należy podłączyć do uziemionego gniazdka.
- Urządzenie jest zaprojektowane w taki sposób, aby można było odłączyć źródło zasilania w przypadku nieprawidłowej pracy.
- Nie ciągnij za kabel w celu odłączenia go od zasilania i nie odłączaj go mokrymi rękami.
- Przed podłączeniem urządzenia do prądu sprawdź, czy napięcie podane na tabliczce



znamionowej znajdującej się na spodzie urządzenia odpowiada napięciu sieci zasilającej. Jeśli tak nie jest, nie używaj urządzenia.

- Używanie akcesoriów niezatwierdzonych przez producenta urządzenia może spowodować pożar, porażenie prądem lub obrażenia.
- Urządzenie może być obsługiwane przez osoby (w tym dzieci w wieku od 8 lat i starsze) o ograniczonych zdolnościach fizycznych, sensorycznych lub umysłowych lub nieposiadające doświadczenia i wiedzy, jeśli znajdują się pod nadzorem lub zostały poinstruowane na temat bezpiecznego korzystania z urządzenia oraz jeśli rozumieją związane z tym zagrożenia. Czyszczenie i konserwacja nie mogą być wykonywane przez dzieci, chyba że ukończyły 8 rok życia i są pod nadzorem. Urządzenie i jego przewód zasilający należy przechowywać w miejscu niedostępnym dla dzieci poniżej 8 roku życia.
- Dzieciom nie wolno bawić się urządzeniem. Jeśli w czasie korzystania z urządzenia obecne są dzieci, należy zadbać o to, aby znajdowały się w bezpiecznej odległości. Nie wolno dopuścić, aby dzieci ciągnęły za przewód zasilający lub przewróciły urządzenie.
- To urządzenie jest przeznaczone do użytku w gospodarstwie domowym i podobnych zastosowaniach, takich jak kuchnie dla personelu w sklepach, biurach i innych środowiskach pracy; domy wiejskie; używanie przez klientów hoteli, moteli i innych obiektów mieszkalnych; w środowiskach typu bed and breakfast.
- Przed montażem lub demontażem podzespołów oraz przed czyszczeniem wyłącz urządzenie i wyjmij wtyczkę przewodu zasilającego z gniazdka.

- Należy obserwować działanie urządzenia podczas pracy.
- Nie wolno zdejmować dolnego panelu urządzenia. Wewnątrz nie ma żadnych części, przeznaczonych do naprawy przez użytkownika. Naprawy mogą być wykonywane wyłącznie przez upoważniony personel.
- Młynek przeznaczony jest do mielenia ziaren kawy. Nie wolno wsypywać do młynka żadnych substancji innych niż ziarna kawy i środek do czyszczenia młynka.
- Nie wolno używać urządzenia w obecności wybuchowych i/lub łatwopalnych oparów.
- Przed użyciem należy sprawdzić, czy w pojemniku na ziarna kawy nie znajdują się ciała obce.
- Należy używać młynka na płaskiej, suchej powierzchni, z dala od krawędzi blatu, aby zapobiec jego przypadkowemu upadkowi. Wibracje podczas pracy mogą spowodować poruszanie się młynka.
- Aby zapewnić prawidłowe użytkowanie, należy używać urządzenia krócej niż 90 sekund za każdym razem, zachowując co najmniej 90 sekund czasu odpoczynku pomiędzy dwoma ciągłymi cyklami.
- Nie wolno przechowywać ani używać tego urządzenia na zewnątrz, w wilgotnych miejscach lub w ujemnych temperaturach.
- Nie wolno umieszczać urządzenia w miejscu, w którym mogłoby mieć kontakt z jakimkolwiek źródłem ciepła, na przykład na płycie gazowej lub elektrycznej lub w jej pobliżu, w nagrzanym piekarniku lub w kuchence mikrofalowej.
- Należy trzymać urządzenie z dala od wody.
- Nigdy nie należy przesuwać urządzenia podczas pracy.
- Nie należy dopuszczać, aby przewód zasilający zwisał z krawędzi stołu lub blatu i mógł mieć kontakt z gorącymi powierzchniami.
- Należy zachować ostrożność, aby nie upuścić urządzenia ani nie pozwolił mu się spaść, ponieważ mogłoby to spowodować uszkodzenie urządzenia i/lub elementów wewnętrznych.
- Należy uważać, aby nie dopuścić do rozlania płynu na przewód zasilający i/lub urządzenie.
- Po rozpakowaniu urządzenia plastikowe torby i inne elementy opakowania należy poddać recyklingowi. Trzymać z dala od dzieci.

NALEŻY ZACHOWAĆ NINIEJSZĄ INSTRUKCJĘ

Obsługa produktu

Przed pierwszym użyciem

Ostrożnie rozpakuj młynek Aarke Coffee Grinder i usuń wszelkie materiały opakowaniowe. Umij pojemnik na ziarna kawy, szklaną pokrywkę i pojemnik na zmieloną kawę, używając łagodnego detergentu i wytrzyj do sucha przed użyciem. Postaw młynek do kawy na płaskiej, suchej powierzchni. Umieść pojemnik na ziarna kawy na górze młynka do kawy i obróć go w kierunku zgodnym z ruchem wskazówek zegara, aż zostanie bezpiecznie osadzony na swoim miejscu. Podłącz przewód zasilający do uziemionego gniazdka.

Użytkowanie produktu

1. Napełnij pojemnik na ziarna kawy (B) całymi palonymi ziarnami kawy. Upewnij się, że masz dość ziaren kawy, aby uzyskać żadaną ilość mielonej kawy (ok. 7,5 g kawy na każdą filiżankę o pojemności 125 ml). Umieść szklaną pokrywkę (A) na pojemniku na ziarna kawy.
2. Wybierz preferowany stopień zmielenia w zakresie od 1 do 60 za pomocą pokrętki stopnia zmielenia (C) (1 = drobny, 60 = gruby).
3. Skorzystaj z tabeli mielenia znajdującej się na szklanej pokrywie (A). Więcej informacji na temat wyboru stopnia zmielenia znajdziesz w rozdziale <Ustawianie stopnia zmielenia>.
4. Wybierz liczbę filiżanek „2”, „3”, „4”, „5”, „6”, „8” lub „10” na pokrętkę liczby filiżanek (I).
5. Możesz także wybrać „M”, aby włączyć Tryb ręczny, patrz rozdział <Tryb ręczny> poniżej lub „A”, aby włączyć tryb AutoGrind™, w którym młynek do kawy jest podłączony do ekspresu Aarke Coffee Maker. Więcej informacji można znaleźć w punkcie <AutoGrind™> poniżej.
6. Umieść pojemnik na zmieloną kawę (E) lub uchwyt filtra ekspresu do kawy pod rynienką (D).
7. Naciśnij przycisk START/STOP (G), a młynek zmieli ilość kawy odpowiednią dla wybranej liczby filiżanek. Podczas pracy młynka wskaźnik LED (H) będzie migać. Po zakończeniu cyklu mielenia wskaźnik LED (H) zgaśnie.

Należy pamiętać:

- Można dostosować stopień zmielenia, aby uzyskać smak zgodny z osobistym gustem. Jeśli kawa jest zbyt gorzka, spróbuj ją grubiej zmielić. Jeśli jest zbyt kwaśna, wybierz drobniejsze zmielenie.
- Ilość uzyskanej kawy mielonej może się nieznacznie różnić w zależności od stopnia wypalenia ziaren i stopnia zmielenia. Jeśli wymagana jest większa precyzja, można użyć regulatora mocy kawy (J), aby dokładnie dostosować ilość dostarczanej kawy.
- Młynek do kawy jest wyposażony w pamięć, która umożliwi wznowienie mielenia. Jeżeli w pojemniku na ziarna zabraknie ziaren kawy przed zakończeniem cyklu mielenia, wskaźnik LED (H) zacznie migać na czerwono. Napełnij pojemnik ziarnami i naciśnij przycisk START/STOP. Młynek dokończy teraz mielenie przez czas pozostały dla rozpoczętej już partii, a wskaźnik LED (H) na młynku do kawy zacznie migać na biało.

Ustawianie stopnia zmielenia

Przed rozpoczęciem mielenia zalecamy ustawienie stopnia zmielenia. Stopień zmielenia zależy od metody parzenia, której chcemy użyć. Użyj pokrętła stopnia zmielenia (C), aby ustawić stopień zmielenia w zakresie 1-60, w zależności od metody parzenia (1 = drobny, 60 = gruby). Tabela mielenia na szklanej pokrywie (A) wskazuje zakres odpowiedni dla wybranej metody parzenia. Zalecany zakres stopnia zmielenia przedstawiono także w Tabeli 1 poniżej.

Różne ziarna kawy mogą wymagać różnego stopnia zmielenia również w przypadku używania tej samej metody parzenia. Jeśli kawa ma zbyt mocny i gorzki smak, zmień stopień zmielenia na grubszy (wyższa liczba na pokrętle). Jeżeli smak kawy jest zbyt kwaśny, zmień stopień zmielenia na drobniejszy (niższa liczba na pokrętle).

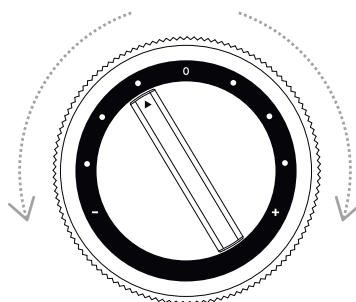
Jeżeli chcesz ustawić drobniejszy stopień mielenia niż aktualnie używany, zalecamy mielenie niewielkiej ilości kawy co pięć stopni na pokrętle regulacji stopnia zmielenia, aż do uzyskaniażądanego ustawienia drobniejszego mielenia. Zapobiegnie to zablokowaniu silnika.

Precyzyjna regulacja mocy kawy

Jeśli wolisz mocniejszą lub słabszą kawę, użyj pokrętła regulacji mocy kawy (J), aby wyregulować młynek do kawy tak, aby mielił nieco więcej lub mniej kawy niż zaprogramowana ilość. Aby zwiększyć ilość kawy, obróć regulator mocy w prawo, w stronę znaku plus „+”. Aby zmniejszyć ilość kawy, obróć go w lewo, w stronę znaku minus „-”.

	Sposób parzenia	Zakres
	Kawiarka	10-20
	AeroPress	15-25
	Filtrowanie ręczne	20-35
	Syfon	30-35
	Parzenie przez filtr	30-40
	Chemex	40-50
	Prasa francuska	45-55
	Parzenie na zimno	50-60

Tabela 1: Zalecenia dotyczące stopnia zmielenia kawy.



Tryb ręczny

Użyj trybu ręcznego „M”, jeśli chcesz osobno zważyć ziarna i umieścić je w pustym pojemniku w celu zmielenia (pojedyncze dozowanie). Gdy młynek do kawy zostanie uruchomiony w trybie ręcznym, będzie pracował do momentu, aż wszystkie ziarna w pojemniku na ziarna zostaną zmielone, a następnie zatrzyma się automatycznie. Młynek można także zatrzymać ręcznie, naciskając przycisk START/STOP.

Aarke AutoGrind™

Młynek Aarke Coffee Grinder można podłączyć do ekspresu Aarke Coffee Maker za pomocą przewodu łączącego Aarke AutoGrind™. Dzięki temu urządzenia te mogą automatycznie współpracować. Na podstawie ilości wody w zbiorniku ekspresu Aarke Coffee Maker, młynek Aarke Coffee Grinder obliczy i zmieli odpowiednią ilość kawy. Zeskanuj kod QR, aby dowiedzieć się więcej o Aarke Coffee System™.



Łączenie urządzeń

- Sprawdź, czy oba urządzenia są wyłączone i odłączone od gniazdek elektrycznych. Wyjmij pojemnik na ziarna kawy z młynka Aarke Coffee Grinder. Wyjmij szklany dzbanek, pokrywkę zbiornika na wodę i uchwyt filtra z Aarke Coffee Maker. Ostrożnie połóż każde urządzenie na boku, na ściereczce lub innym miękkim materiale, który zabezpieczy je przed zarysowaniem.
- Podłącz jeden koniec przewodu Aarke AutoGrind™ Connector Cord do gniazda przewodu połączeniowego (M) pod młynkiem Aarke Coffee Grinder, a drugi koniec do gniazda przewodu połączeniowego pod ekspresem Aarke Coffee Maker.
- Ustaw oba produkty pionowo i umieść je na płaskiej, suchej powierzchni. Podłącz każdy przewód zasilający do uziemionego gniazda.

Korzystanie z funkcji Aarke AutoGrind™

1. Umieść szklany dzbanek z założoną pokrywką na płycie grzewczej ekspresu. Upewnij się, że szklany dzbanek jest czysty.
2. Napełnij zbiornik na wodę ekspresu do kawy czystą, zimną wodą. Zaświeci się dioda LED zbiornika na wodę na ekspresie do kawy.
3. Umieść jeden standardowy filtr 1x4 w uchwycie filtra. Umieść uchwyt filtra pod rynienką młynka do kawy.
4. Napełnij pojemnik na ziarna kawy (B) całymi palonymi ziarnami kawy. Upewnij się, że ziaren kawy wystarczy na żadaną ilość mielonej kawy (ok. 7,5 g kawy na każdą filiżankę o pojemności 125 ml). Umieść szklaną pokrywę (A) na pojemniku na ziarna kawy.
5. Wybierz preferowany stopień zmielenia za pomocą pokrętła stopnia zmielenia. Skorzystaj z tabeli mielenia znajdującej się na szklanej pokrywie (A). Więcej informacji na temat wyboru stopnia zmielenia znajdziesz w rozdziale <Ustawianie stopnia zmielenia>.
6. Wybierz tryb AutoGrind™ „A” na pokrętle liczby filiżanek (I). Wskaźnik LED (H) na młynku do kawy zaświeci się na biało. Zmiana koloru wskaźnika LED (H) na czerwony oznacza problem z połączeniem. Powtórz kroki opisane w punkcie <Łączenie urządzeń>.
7. Naciśnij przycisk START/STOP (G), a młynek zmieli taką ilość kawy, która odpowiada ilości wody w zbiorniku na wodę ekspresu. Podczas pracy młynka wskaźnik LED (H) będzie migać. Po zakończeniu cyklu mielenia wskaźnik LED (H) zgaśnie.
8. Umieść uchwyt filtra ze świeżo zmieloną kawą we właściwym miejscu ekspresu do kawy.
9. Naciśnij przycisk zasilania, aby uruchomić ekspres do kawy. Wskaźnik LED na ekspresie do kawy zaświeci się i rozpocznie się cykl parzenia.
10. Gdy kawa będzie gotowa, zgaśnie wskaźnik LED w okienku poziomu wody.

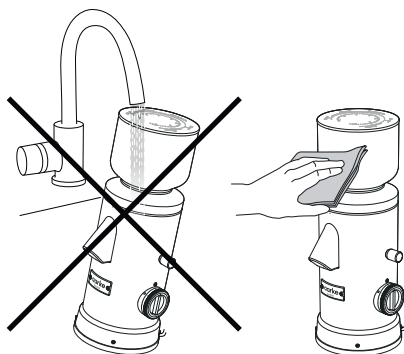
Należy pamiętać:

- Precyzyjna regulacja mocy kawy działa również w trybie AutoGrind™.

Czyszczenie i konserwacja

Prawidłowe czyszczenie i konserwacja zapewnią wieloletnie, sprawne działanie urządzenia. Należy je czyścić po każdym użyciu.

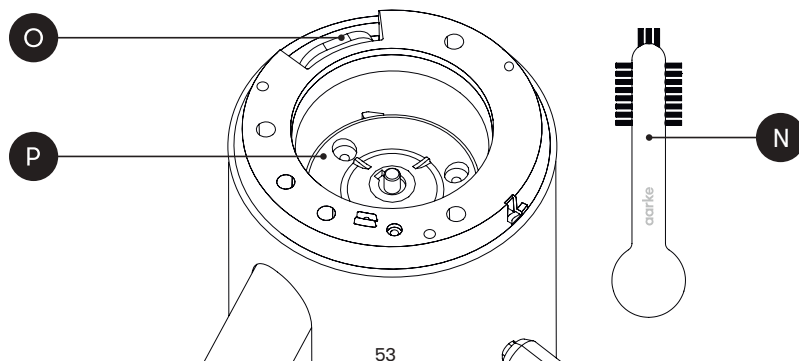
- Przed czyszczeniem młynka do kawy zawsze odłącz urządzenie od prądu i upewnij się, że ruchome części się zatrzymały.
- Podczas czyszczenia nie zanurzaj urządzenia w wodzie.
- Do czyszczenia zewnętrznej części urządzenia używaj miękkiej, zwilżonej ściereczki. Nie wolno czyścić urządzenia agresywnymi środkami czyszczącymi, gąbkami z wełny stalowej lub innymi materiałami ściernymi.
- Pojemnik na kawę należy umyć łagodnym detergentem i dokładnie wypłukać.
- Szklaną pokrywkę i pojemnik na zmieloną kawę można myć w zmywarce.
- Żarna młynka należy czyścić co trzy miesiące lub częściej.
- Przy wymianie ziaren kawy, przed dodaniem nowych ziaren do pojemnika należy opróżnić młynek z resztek kawy. Najpierw opróżnij pojemnik na kawę ziarnistą. Umieść pojemnik na ziarna kawy z powrotem na młynku do kawy, ustaw pokrętko liczby filiżanek (I) w położeniu „M” i włącz młynek do czasu automatycznego zatrzymania. Powtórz jeden raz.





PL

Czyszczenie żaren

1. Upewnij się, że młynek do kawy stoi na płaskiej, suchej powierzchni.
2. Odblokuj pojemnik na ziarna, obracając go w kierunku przeciwnym do ruchu wskazówek zegara i wyjmij go z młynka do kawy.
3. Obracaj pokrętko stopnia zmielenia (C) w kierunku przeciwnym do ruchu wskazówek zegara, aż będzie można je wyjąć.
4. Wyjmij szczoteczkę do czyszczenia (N) z komory (O) w młynku.
5. Ostrożnie wyczyść płaskie żarna (P) szczoteczką do czyszczenia, sprawdzając, czy powierzchnie są czyste.
6. Włóż szczoteczkę do czyszczenia z powrotem do komory w młynku do kawy.
7. Załóż ponownie pokrętko regulacji stopnia zmielenia, obracając je do końca, aż się zatrzyma, a następnie obróć je z powrotem dożądanego ustawienia.
8. Umieść pojemnik na ziarna kawy na młynku do kawy i obróć go w kierunku zgodnym z ruchem wskazówek zegara, aż zostanie bezpiecznie osadzony na swoim miejscu.
9. Załóż szklaną pokrywkę. Młynek do kawy jest teraz gotowy do ponownego użytku.



Recykling

 Ten symbol znajdujący się na produkcie lub jego opakowaniu oznacza, że produktu nie można traktować jako odpadu domowego. Aby poddać produkt recyklingowi, należy przekazać go  do oficjalnego punktu zbiórki, w którym można bezpiecznie i profesjonalnie usunąć i poddać recyklingowi komponenty elektryczne. Oddziel części nieelektryczne i poddaj je recyklingowi zgodnie z lokalnymi przepisami. Opakowanie należy poddać recyklingowi.

Rozwiązywanie problemów

Aby rozwiązać problemy, zapoznaj się z poniższą tabelą, odwiedź stronę aarke.com/support lub zeskanuj kod QR.



Problem	Przyczyna	Rozwiązanie
Wskaźnik LED (H) miga ciągle na czerwono.	W zbiorniku nie ma wystarczającej ilości ziaren, aby dokończyć mielenie.	Napełnij pojemnik na ziarna kawy i naciśnij przycisk, a młynek dokończy mielenie rozpoczętej partii.
Po naciśnięciu przycisku START/STOP wskaźnik LED (H) miga trzykrotnie na czerwono.	Pokrętko liczby filiżanek (I) jest ustawione pomiędzy trybami.	Obróć pokrętko liczby filiżanek (I) do położenia określonego trybu.
Po naciśnięciu przycisku START/STOP wskaźnik LED (H) miga trzykrotnie na czerwono.	Wybrano automatyczny tryb mielenia (A), ale nie ma połączenia z ekspresem do kawy.	Sprawdź, czy przewody zasilające są podłączone do gniazdka, a przewód połączeniowy (M) jest podłączony do obu urządzeń.
Pokrętko liczby filiżanek (I) jest ustawione na tryb automatyczny „A”, a wskaźnik LED (H) świeci na czerwono.	Nie ma połączenia pomiędzy młynkiem do kawy i ekspresem do kawy.	Sprawdź przewód połączeniowy (F).

Wsparcie klienta

Kontaktując się z Działem Obsługi Klienta, upewnij się, że dysponujesz następującymi informacjami: Model i numer serijny. Informacje te można znaleźć na etykiecie znamionowej znajdującej się na spodzie młynka do kawy. Ze względu na politykę firmy Aarke, zakładającą ciągły rozwój produktów, specyfikacje, kolory i szczegóły naszych produktów oraz produktów wymienionych w tej instrukcji mogą ulec zmianie bez powiadomienia.

Aby uzyskać pomoc, odwiedź stronę aarke.com/support lub wyślij wiadomość e-mail na adres support@aarke.com.

PT MANUAL DE INSTRUÇÕES

Aarke Coffee Grinder

Modelo A1340 - 1352


LEIA ATENTAMENTE ESTE MANUAL DE INSTRUÇÕES ANTES DE O UTILIZAR. GUARDE PARA FUTURA CONSULTA.

Os gráficos e desenhos neste manual do utilizador destinam-se apenas como uma descrição geral do produto e podem diferir do próprio produto.

Componentes

A Tampa de vidro	E Recipiente para café moído	J Regulador de intensidade
B Depósito de grãos	F Aarke AutoGrind™ Connector Cord	K Cabo de alimentação
C Seletor de tamanho de moagem	G Botão de LIGAR/DESLIGAR	L Armazenamento interno do cabo
D Saída	H Indicador LED	M Aarke AutoGrind™ Connector
	I Seletor do número de chávemas	

MEDIDAS DE SEGURANÇA IMPORTANTES

- **AVISO!** Siga estas instruções quando utilizar o aparelho. A utilização incorreta pode resultar em choque elétrico ou outros riscos.
- **AVISO!** Não utilize o aparelho se estiver danificado, com um cabo ou ficha danificados, ou se o aparelho não funcionar corretamente de modo a evitar riscos. Verifique sempre o aparelho antes de o utilizar.
- **AVISO!** Não mergulhe o cabo de alimentação, a ficha ou qualquer outra parte do aparelho em água ou outros líquidos para evitar o risco de choque elétrico. 
- **AVISO!** Não toque no moinho quando este estiver a funcionar.
- Não utilize um adaptador com este aparelho.
- Nunca deixe o moinho sem vigilância quando estiver a ser utilizado. É necessária uma vigilância apertada quando o aparelho é utilizado por crianças ou na sua proximidade. Não utilize ao alcance de crianças. Evite que as crianças puxem o cabo de alimentação ou derrubem o aparelho.
- Este aparelho deve ser ligado a uma tomada com ligação à terra para proteger contra o risco de choque elétrico ou incêndio.
- O aparelho foi concebido para desligar a alimentação elétrica do elemento em caso de condições de funcionamento anormais.
- Não puxe o cabo para desligar o aparelho da fonte de alimentação e não o desligue com as mãos molhadas.

- Antes de ligar o aparelho à fonte de alimentação elétrica, certifique-se de que a tensão indicada na placa de características situada na parte inferior do aparelho corresponde à tensão da sua casa. Se não corresponder, não utilize o aparelho.
- A utilização de acessórios não aprovados pelo fabricante do aparelho pode resultar em incêndio, choque elétrico ou ferimentos.
- Este aparelho pode ser utilizado por pessoas (incluindo crianças a partir dos 8 anos de idade) com capacidades físicas, sensoriais ou mentais reduzidas ou com falta de experiência e conhecimentos, desde que sejam supervisionadas ou tenham recebido instruções para a utilização do aparelho de forma segura, e compreendam os riscos envolvidos. A limpeza e a manutenção pelo utilizador não devem ser efetuadas por crianças, a menos que tenham mais de 8 anos e sejam supervisionadas. Mantenha o aparelho e o respetivo cabo de alimentação fora do alcance de crianças com menos de 8 anos.
- As crianças não devem brincar com o aparelho. Se estiverem presentes crianças enquanto o aparelho estiver a ser utilizado, mantenha-as a uma distância segura. Evite que as crianças puxem o cabo de alimentação ou derrubem o aparelho.
- Este aparelho destina-se a ser utilizado em aplicações domésticas e similares, tais como: áreas de cozinha do pessoal em lojas, escritórios e outros ambientes de trabalho; casas rurais; por clientes em hotéis, motéis e outros ambientes de tipo residencial; ambientes do tipo cama e pequeno-almoço.

PT

- Desligue o aparelho e retire o cabo de alimentação da tomada antes de montar ou desmontar componentes e antes de os limpar.
- Este aparelho deve ser utilizado sob supervisão.
- Não retire o painel inferior do aparelho. Não existem peças que possam ser reparadas pelo utilizador no interior. As reparações só podem ser efetuadas por pessoal autorizado.
- O moinho destina-se à moagem de grãos de café. Não coloque no moinho de café outras substâncias para além dos grãos de café e do produto de limpeza do moinho.
- Não utilize na presença de gases explosivos e/ou inflamáveis.
- Verifique se o depósito de grãos tem objetos estranhos antes de utilizar.
- Utilize o moinho sobre uma superfície plana e seca, afastada da borda do balcão para evitar a sua queda accidental. A vibração durante o funcionamento pode fazer com que o moinho se mova.
- Para uma utilização correta, este aparelho deve funcionar durante menos de 90 segundos de cada vez, com um mínimo de 90 segundos de paragem entre dois ciclos contínuos.
- Não guarde nem utilize este aparelho ao ar livre, em zonas húmidas ou com temperaturas negativas.
- Não coloque o aparelho onde possa entrar em contacto com qualquer fonte de calor, por exemplo, sobre ou perto de uma placa de fogão a gás ou elétrica, num forno aquecido ou num micro-ondas.
- Mantenha o aparelho afastado da água.
- Nunca mova o aparelho durante o funcionamento.
- Não deixe o cabo de alimentação pendurado na borda de mesas ou bancadas e não o deixe entrar em contacto com superfícies quentes.
- Tenha cuidado para não deixar cair ou tombar o aparelho, pois isso pode danificar o aparelho e/ou os componentes internos.
- Evite o derrame de líquidos sobre o cabo de alimentação e/ou o aparelho.
- Depois de desembalar o aparelho, recicle os sacos de plástico e outras embalagens. Mantenha fora do alcance de crianças.

GUARDE ESTAS INSTRUÇÕES

Utilização do produto

Antes da primeira utilização

Desembale cuidadosamente o seu Aarke Coffee Grinder e retire todos os materiais de embalagem. Lave o depósito de grãos, a tampa de vidro e o recipiente para café moído com um detergente suave e seque antes de utilizar. Coloque o moinho de café sobre uma superfície plana e seca. Posicione o depósito de grãos na parte superior do moinho de café e rode-o no sentido dos ponteiros do relógio até ficar bem fixo. Ligue o cabo de alimentação a uma tomada com ligação à terra.

Utilização do produto

1. Encha o depósito de grãos (B) com grãos de café torrados inteiros. Certifique-se de que tem grãos de café suficientes para a quantidade de café moído que pretende (~7,5 g de café para cada chávena de 125 ml). Coloque a tampa de vidro (A) sobre o depósito de grãos.
2. Escolha o tamanho de moagem preferido entre 1 e 60 no seletor de tamanho de moagem (C) (1=fina, 60=grossa).
3. Utilize a tabela de moagem na tampa de vidro (A) como orientação. Para mais informações sobre a seleção do tamanho de moagem, consulte o capítulo <Ajustar o tamanho de moagem>.
4. Selecione o número de chávenas "2", "3", "4", "5", "6", "8" ou "10" no seletor do número de chávenas (I).
5. Também pode escolher "M" para o modo manual, consulte o capítulo <Modo manual> abaixo, ou "A" para o modo AutoGrind™ em que o moinho de café está ligado à Aarke Coffee Maker. Para mais informações, consulte o capítulo <AutoGrind™> abaixo.
6. Coloque o recipiente para café moído (E) ou o porta-filtro da sua máquina de café por baixo da saída (D).

7. Prima o botão de LIGAR/DESLIGAR (G) e o moinho de café moerá uma quantidade de café correspondente ao número de chávemas selecionado. Enquanto o moinho de café está a funcionar, o indicador LED (H) pisca. Quando o ciclo de moagem termina, o indicador LED (H) apaga-se.

Atenção:

- Pode ajustar o tamanho da moagem para equilibrar o sabor de acordo com o seu gosto pessoal. Se achar o seu café demasiado amargo, experimente uma moagem mais grossa. Se estiver demasiado ácido, experimente uma moagem mais fina.
- A quantidade de café moído que sai pode variar ligeiramente consoante o nível de torrefação do grão e o tamanho da moagem. Se for necessária uma maior precisão, pode utilizar o regulador de intensidade (J) para afinar a quantidade de café que sai.
- O moinho de café dispõe de uma memória de moagem. Se os grãos do depósito de grãos se esgotarem antes de terminar o ciclo de moagem, o indicador LED (H) pisca a vermelho. Encha o depósito de grãos com grãos e prima o botão de LIGAR/DESLIGAR. O moinho de café terminará agora a moagem durante o tempo restante para o lote já iniciado e o indicador LED (H) do moinho de café pisca a branco.

Ajustar o tamanho de moagem

Antes de começar a moer, recomendamos que ajuste o tamanho de moagem. O tamanho de moagem depende do método de preparação que pretende utilizar. Com o seletor de tamanho de moagem (C), ajuste o tamanho de moagem entre 1 e 60 em função do método de preparação (1 = fina, 60 = grossa). A tabela de moagem na tampa de vidro (A) indica a variação adequada para o seu método de preparação. A variação de tamanhos de moagem recomendados também é apresentada na Tabela 1 abaixo.

Grãos de café diferentes podem exigir tamanhos de moagem diferentes para o mesmo método de preparação. Se o seu café tiver um sabor forte e amargo, mude para um tamanho de moagem mais grossa (um número mais alto no seletor). Se o sabor do seu café for demasiado ácido, mude para um tamanho de moagem mais fina (um número mais baixo no seletor).

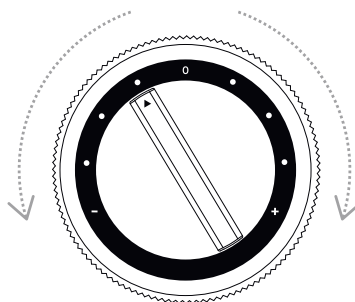
Se pretender ajustar um tamanho de moagem mais fina do que o que está a ser utilizado, recomendamos que moa uma pequena quantidade de café a cada cinco passos no seletor de tamanho de moagem até atingir o ajuste de tamanho de moagem mais fina. Isto evitará que o motor bloqueie.

Regulador de intensidade

Se preferir o seu café um pouco mais forte ou mais fraco, utilize o regulador de intensidade (J) para ajustar o moinho de café para moer um pouco mais ou menos café do que as quantidades predefinidas. Para aumentar a quantidade de café, rode o regulador de intensidade para a direita, na direção do sinal de mais "+". Para diminuir a quantidade de café, rode-o para a esquerda, na direção do sinal de menos "-".

	Método de preparação	Variação
	Moka	10-20
	Aeropress	15-25
	Filtragem manual	20-35
	Cafeteira a vácuo	30-35
	Café de filtro	30-40
	Chemex	40-50
	Prensa francesa	45-55
	Preparação a frio	50-60

Tabela 1: Recomendação de tamanho de moagem.



Modo manual

Utilize o modo manual "**M**" quando pretender pesar os grãos separadamente e colocá-los no depósito vazio para moer (doseamento simples). Quando o moinho de café é ligado no modo manual, este funciona até que todos os grãos no depósito de grãos estejam moídos e depois para automaticamente. O moinho de café também pode ser parado manualmente, premindo o botão de LIGAR/DESLIGAR.

Aarke AutoGrind™

O Aarke Coffee Grinder pode ser ligado à Aarke Coffee Maker através do Aarke AutoGrind™ Connector Cord. Isto permite que os aparelhos funcionem automaticamente em conjunto. Com base na quantidade de água existente no depósito de água da Aarke Coffee Maker, o Aarke Coffee Grinder calcula e mói a quantidade de café correspondente. Leia o código QR para saber mais sobre o Aarke Coffee System™.



Ligar os aparelhos

- Certifique-se de que ambos os aparelhos estão desligados no interruptor e das tomadas elétricas. Retire o depósito de grãos do Aarke Coffee Grinder. Retire o jarro de vidro, a tampa do depósito de água e o porta-filtro da Aarke Coffee Maker. Coloque cuidadosamente cada aparelho de lado, sobre um pano ou outro material macio que os proteja contra arranhões.
- Insira uma extremidade do Aarke AutoGrind™ Connector Cord na tomada para o cabo conector (M) sob o Aarke Coffee Grinder e a outra extremidade na tomada para o cabo conector sob a Aarke Coffee Maker.
- Coloque ambos os produtos na vertical e coloque-os numa superfície plana e seca. Ligue cada cabo de alimentação a uma tomada com ligação à terra.

PT

Utilizar o Aarke AutoGrind™

1. Coloque o jarro de vidro, com a tampa colocada, na placa de aquecimento da máquina de café. Certifique-se de que o jarro de vidro está limpo.
2. Encha o depósito de água da máquina de café com água limpa e fria. O LED do depósito de água da máquina de café acende-se.
3. Coloque um filtro standard 1x4 no porta-filtro. Coloque o porta-filtro por baixo da saída do moinho de café.
4. Encha o depósito de grãos (B) com grãos de café torrados inteiros. Certifique-se de que existem grãos de café suficientes para a quantidade de café moído que pretende (~7,5 g de café para cada chávena de 125 ml). Coloque a tampa de vidro (A) sobre o depósito de grãos.
5. Selecione o tamanho de moagem preferido no seletor de tamanho de moagem. Utilize a tabela de moagem na tampa de vidro (A) como orientação. Para mais informações sobre a seleção do tamanho de moagem, consulte o capítulo <Ajustar o tamanho de moagem>.
6. Selecione o modo AutoGrind™ "**A**" no seletor do número de chávenas (I). O indicador LED (H) do moinho de café acende-se a branco. Se o indicador LED (H) ficar vermelho, há algo de errado com a ligação. Repita os passos em <Ligar os aparelhos>.
7. Prima o botão de LIGAR/DESLIGAR (G) e o moinho de café moerá uma quantidade de café que corresponda à quantidade de água no depósito de água da máquina de café. Enquanto o moinho de café está a funcionar, o indicador LED (H) pisca. Quando o ciclo de moagem termina, o indicador LED (H) apaga-se.
8. Coloque o porta-filtro com o café acabado de moer na máquina de café.
9. Prima o botão de alimentação para ligar a máquina de café. O indicador LED na máquina de café acende-se e o ciclo de preparação de café inicia-se.
10. Quando o café estiver pronto, o indicador LED na janela do nível de água apaga-se.

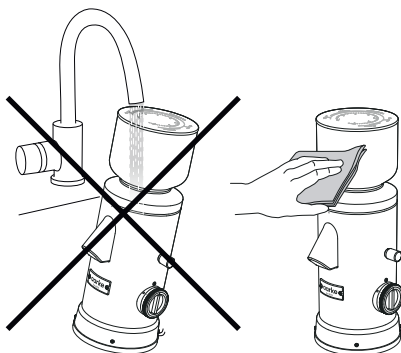
Atenção:

- O regulador de intensidade também funciona no modo AutoGrind™.

Limpeza e manutenção

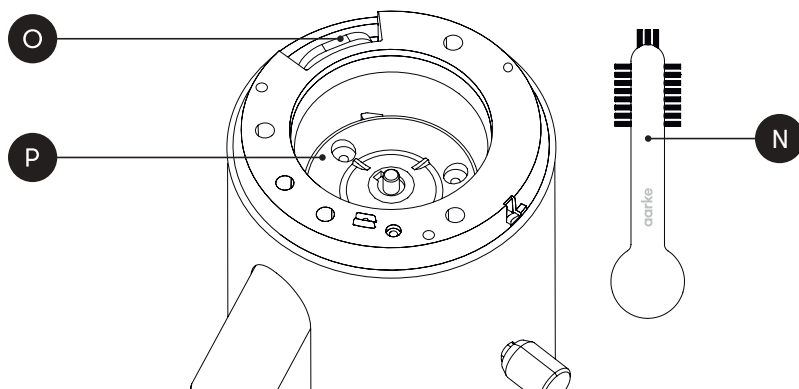
Uma limpeza e cuidados adequados garantirão anos de utilização deste aparelho. Limpe-o após cada utilização.

- Antes de limpar o moinho de café, desligue sempre o aparelho da tomada e certifique-se de que as peças deixaram de se mover.
- Não mergulhe o aparelho em água para o limpar.
- Utilize um pano macio e húmido para limpar o exterior do aparelho. Não limpe o aparelho com produtos de limpeza agressivos, esfregões de palha de aço ou outros materiais abrasivos.
- Lave o depósito de grãos com um detergente suave e enxague bem.
- A tampa de vidro e o recipiente para café moído podem ser lavados na máquina de lavar louça.
- Limpe as saliências do moinho de três em três meses, ou mais frequentemente.
- Quando mudar de grão, retire quaisquer resíduos de café que se encontrem no interior do moinho de café antes de colocar novos grãos no depósito de grãos. Primeiro, esvazie o depósito de grãos. Volte a colocar o depósito de grãos no moinho de café, rode o seletor do número de châvenas (I) para "M" e ponha o moinho de café a funcionar até parar automaticamente. Repita uma vez.




Limpar as saliências

1. Certifique-se de que o moinho de café está colocado sobre uma superfície plana e seca.
2. Desbloqueie o depósito de grãos rodando-o no sentido contrário ao dos ponteiros do relógio e retire-o do moinho de café.
3. Rode o seletor de tamanho de moagem (C) no sentido contrário ao dos ponteiros do relógio até que possa ser retirado.
4. Retire a escova de limpeza (N) do respetivo compartimento (O).
5. Escove cuidadosamente as saliências lisas (P) com a escova de limpeza, certificando-se de que as superfícies estão limpas.
6. Volte a colocar a escova de limpeza no respetivo compartimento no moinho de café.
7. Volte a colocar o seletor de tamanho de moagem rodando-o completamente até parar e, em seguida, rode-o novamente para o ajuste pretendido.
8. Posicione o depósito de grãos no moinho de café e rode-o no sentido dos ponteiros do relógio até estar bem fixo.
9. Coloque a tampa de vidro. O moinho de café está agora pronto para ser utilizado novamente.



Reciclagem

 Este símbolo no produto ou na respetiva embalagem indica que o produto não pode ser tratado como lixo doméstico. Para reciclar o seu produto, leve-o a um ponto de recolha oficial que possa remover e reciclar os componentes elétricos de forma segura e profissional. Separe as peças não elétricas e recicle-as de acordo com os regulamentos locais. Recicle a embalagem.

Resolução de problemas

Para a resolução de problemas, consulte a tabela abaixo, visite aarke.com/support ou leia o código QR.



Problema	Causa	Solução
O indicador LED (H) pisca continuamente a vermelho.	Não há grãos suficientes no depósito para concluir a moagem.	Encha o depósito de grãos e prima o botão para que o moinho de café termine de moer o lote já iniciado.
Quando o botão de LIGAR/DESLIGAR é premido, o indicador LED (H) pisca três vezes a vermelho.	O seletor do número de châvenas (I) está entre modos.	Rode o seletor do número de châvenas (I) para a posição de um modo.
Quando o botão de LIGAR/DESLIGAR é premido, o indicador LED (H) pisca três vezes a vermelho.	O modo de moagem automática (A) está selecionado, mas não há ligação à máquina de café.	Verifique se os cabos de alimentação estão ligados a uma tomada e se o cabo de ligação (M) está ligado aos dois aparelhos.
O seletor do número de châvenas (I) está no modo automático "A" e o indicador LED (H) está vermelho.	Não existe qualquer ligação entre o moinho de café e a máquina de café.	Verifique o cabo de ligação (F).

Apoio ao cliente

Quando contactar o Serviço de Apoio ao Cliente, certifique-se de que tem disponíveis as seguintes informações: modelo e número de série. Estas informações podem ser encontradas na etiqueta de características, na parte inferior do moinho de café. Devido à política de desenvolvimento contínuo de produtos da Aarke, as especificações, cores e pormenores dos nossos produtos e os mencionados neste manual estão sujeitos a alterações sem aviso prévio.

Para obter assistência, visite aarke.com/support ou envie uma mensagem de correio eletrónico para support@aarke.com.

IT MANUALE DI ISTRUZIONI

Aarke Coffee Grinder

Modello A1340 - 1352


LEGGERE ATTENTAMENTE QUESTO MANUALE DI ISTRUZIONI PRIMA DELL'USO. CONSERVARE PER RIFERIMENTI FUTURI.

I grafici e i disegni contenuti in questo manuale di istruzioni sono intesi solo come descrizione generale del prodotto e potrebbero differire dal prodotto stesso.

Componenti

A Coperchio in vetro	F Aarke AutoGrind™ Connector Cord	J Regolatore della forza
B Tramoggia del caffè in grani	G Pulsante START/STOP	K Cavo di alimentazione
C Selettore di macinatura	H Indicatore LED	L Vano portacavo interno
D Scivolo	I Selettore delle tazze	M Aarke AutoGrind™ Connector
E Contenitore del caffè macinato		

PRECAUZIONI IMPORTANTI

- **AVVERTIMENTO!** Seguire queste istruzioni quando si utilizza l'apparecchio. L'uso improprio può provocare scosse elettriche o causare altri pericoli.
- **AVVERTIMENTO!** Per evitare pericoli, non utilizzare l'apparecchio se è danneggiato, se ha il cavo o la spina danneggiati o se non funziona correttamente. Controllare sempre l'apparecchio prima dell'uso.
- **AVVERTIMENTO!** Per evitare il rischio di scosse elettriche, non immergere il cavo di alimentazione, la spina o qualsiasi altra parte dell'apparecchio in acqua o in altri liquidi. 
- **AVVERTIMENTO!** Non toccare il macinacaffè mentre è in funzione.
- Non utilizzare un adattatore con questo apparecchio.
- Non lasciare mai il macinacaffè incustodito durante l'uso. Nel caso in cui l'apparecchio venga utilizzato da bambini o si trovi nelle loro vicinanze, è necessaria un'attenta supervisione. Non utilizzare tenendolo alla portata dei bambini. Evitare che i bambini tirino il cavo di alimentazione o facciano cadere l'apparecchio.
- Questo apparecchio deve essere collegato a una presa con messa a terra per evitare il rischio di scosse elettriche o incendi.
- L'apparecchio è progettato per scollegare l'alimentazione elettrica dall'elemento in condizioni di funzionamento anomalo.
- Non tirare il cavo per scollegarlo dalla rete elettrica e non toccarlo con le mani bagnate.

- Prima di collegare l'apparecchio alla rete elettrica, assicurarsi che la tensione indicata sulla targhetta identificativa che si trova sul fondo corrisponda alla tensione della propria abitazione. In caso contrario non utilizzare l'apparecchio.
- L'uso di accessori non approvati dal produttore dell'apparecchio può causare incendi, scosse elettriche o lesioni.
- Questo apparecchio può essere utilizzato da persone (inclusi bambini di età pari o superiore a 8 anni) con ridotte capacità fisiche, sensoriali o mentali o con mancanza di esperienza e conoscenza, a condizione che abbiano ricevuto le istruzioni per l'uso in modo sicuro, che abbiano compreso i pericoli che possono derivare dall'utilizzo dell'apparecchio e che l'utilizzo avvenga sotto supervisione. La pulizia e la manutenzione da parte dell'utente non devono essere effettuate da bambini, a meno che non abbiano più di 8 anni e siano sotto supervisione. Tenere l'apparecchio e il cavo di alimentazione fuori dalla portata dei bambini di età inferiore a 8 anni.
- I bambini non devono giocare con l'apparecchio. Se durante l'uso dell'apparecchio sono presenti bambini, tenerli a distanza di sicurezza. Evitare che i bambini tirino il cavo di alimentazione o facciano cadere l'apparecchio.
- Questo apparecchio è destinato all'uso in applicazioni domestiche e simili quali: aree cucina per il personale in negozi, uffici e altri ambienti di lavoro; agriturismo; da clienti in hotel, motel e altri ambienti di tipo residenziale; ambienti tipo bed and breakfast.

IT

- Prima di montare o smontare i componenti e prima della pulizia spegnere l'apparecchio e scollegare il cavo di alimentazione dalla presa.
- Questo apparecchio deve essere utilizzato sotto supervisione.
- Non rimuovere il pannello inferiore dell'apparecchio. All'interno non sono presenti parti riparabili dall'utente. Le riparazioni possono essere eseguite solo da personale autorizzato.
- Il macinacaffè è concepito per macinare il caffè in grani. Non inserire nel macinacaffè sostanze diverse dal caffè in grani e dall'apposito detergente.
- Non mettere in funzione in presenza di fumi esplosivi e/o infiammabili.
- Prima dell'uso, verificare la presenza di eventuali corpi estranei nella tramoggia.
- Per evitare che cada accidentalmente, azionare il macinacaffè su una superficie piana e asciutta e lontano dal bordo del piano di lavoro. Le vibrazioni durante il funzionamento possono provocare lo spostamento del macinacaffè.
- Per un uso corretto, utilizzare questo apparecchio per meno di 90 secondi alla volta con un tempo di riposo minimo di 90 secondi tra due cicli continui.
- Non conservare o utilizzare questo apparecchio all'aperto, in aree umide o a temperature basse.
- Non posizionare l'apparecchio dove potrebbe entrare in contatto con qualsiasi fonte di calore, ad esempio sopra o vicino a un piano cottura a gas o elettrico, in un forno riscaldato o in un forno a microonde.
- Tenere l'apparecchio lontano dall'acqua.
- Non spostare mai l'apparecchio durante il funzionamento.
- Non lasciare pendere il cavo di alimentazione dal bordo di tavoli o ripiani e non lasciarlo entrare in contatto con superfici calde.
- Fare attenzione a non far cadere l'apparecchio, in quanto la caduta potrebbe danneggiare l'apparecchio stesso e/o i componenti interni.
- Evitare di versare liquidi sul cavo di alimentazione e/o sull'apparecchio.
- Dopo aver disimballato l'apparecchio, riciclare i sacchetti di plastica e gli altri imballaggi. Tenere fuori dalla portata dei bambini.

CONSERVARE QUESTE ISTRUZIONI

Funzionamento del prodotto

Prima del primo utilizzo

Scartare con cura Aarke Coffee Grinder e rimuovere eventuali materiali di imballaggio. Lavare la tramoggia del caffè in grani, il coperchio in vetro e il contenitore del caffè macinato con un detergente delicato e asciugarli prima dell'uso. Posizionare il Coffee Grinder su una superficie piana e asciutta. Posizionare la tramoggia sopra il Coffee Grinder e ruotarla in senso orario fino a quando non è saldamente in posizione. Collegare il cavo di alimentazione a una presa con messa a terra.

Utilizzo del prodotto

1. Riempire la tramoggia (B) con il caffè tostato in grani interi. Assicurarsi di avere caffè in grani a sufficienza per la quantità di caffè macinato desiderata (~7,5 g di caffè per ogni tazza da 125 ml). Rimettere il coperchio in vetro (A) sopra la tramoggia.
2. Scegliere il grado di macinatura preferito tra 1 e 60 sul selettore di macinatura (C) (1 = fine, 60 = grossa).
3. Consultare la tabella sul coperchio in vetro (A) come guida. Per ulteriori informazioni sulla scelta del grado di macinatura, vedere il capitolo <Regolazione del grado di macinatura>.
4. Selezionare il numero di tazze "2", "3", "4", "5", "6", "8" o "10" sul selettore delle tazze (I).
5. È possibile selezionare "M" per la modalità manuale (vedere il capitolo <Modalità manuale> di seguito) o "A" per la modalità AutoGrind™ in cui il Coffee Grinder è collegato ad Aarke Coffee Maker. Per ulteriori informazioni vedere il capitolo <AutoGrind™> di seguito.
6. Posizionare il contenitore del caffè macinato (E) o il cestello del filtro della macchina da caffè sotto lo scivolo (D).
7. Premendo il pulsante START/STOP (G), il Coffee Grinder macina una quantità di caffè

corrispondente al numero di tazze selezionate. Mentre il Coffee Grinder è in funzione, l'indicatore LED (H) lampeggia. Una volta terminato il ciclo di macinatura, l'indicatore LED (H) si spegne.

Nota:

- È possibile regolare la macinatura per bilanciare il sapore secondo il proprio gusto personale. Se il caffè risulta troppo amaro, provare una macinatura più grossa. Se invece tende a essere troppo acido, scegliere una macinatura più fine.
- La quantità di caffè macinato potrebbe variare leggermente a seconda del livello di tostatura dei grani e del grado di macinatura. Se è necessaria maggiore precisione è possibile utilizzare il regolatore della forza (J), che regola con estrema precisione la quantità di caffè erogato.
- Il Coffee Grinder ha una memoria di ripresa della macinatura. Se i grani nella tramoggia terminano prima che il ciclo di macinatura sia completato, l'indicatore LED (H) lampeggia in rosso. Riempire la tramoggia e premere il pulsante START/STOP. A questo punto il Coffee Grinder completa il ciclo di macinatura già avviato e l'indicatore LED (H) lampeggia in bianco.

Regolazione del grado di macinatura

Prima di iniziare a macinare, consigliamo di regolare il grado di macinatura, che dipende dal metodo di preparazione scelto. Utilizzare il selettore di macinatura (C) per regolare il grado di macinatura in un intervallo compreso tra 1 e 60 a seconda del metodo di preparazione (1 = fine, 60 = grossa). La tabella sul coperchio in vetro (A) riporta l'intervallo di macinatura adatto al metodo di preparazione scelto. L'intervallo del grado di macinatura consigliato è mostrato anche nella Tabella 1 di seguito.

Grani di diverse dimensioni potrebbero richiedere gradi di macinatura diversi per lo stesso metodo di preparazione. Se il caffè ha un sapore forte e amaro, consigliamo di passare a una macinatura più grossa (un numero più alto sul selettore). Se il gusto del caffè è troppo acido, è meglio passare a una macinatura più fine (un numero più basso sul selettore).

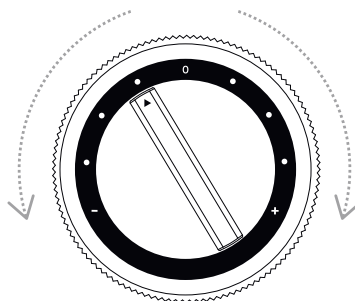
Se si desidera impostare una macinatura più fine rispetto a quella in uso, si consiglia di procedere macinando una piccola quantità di caffè ogni cinque scatti del selettore di macinatura, fino a ottenere una macinatura più fine. In questo modo si eviterà il blocco del motore.

	Metodo di preparazione	Intervallo
	Moka	10-20
	Aeropress	15-25
	Filtraggio manuale	20-35
	Sifone	30-35
	Estrazione in filtro	30-40
	Chemex	40-50
	Pressa francese	45-55
	Infusione a freddo	50-60

Tabella 1: Gradi di macinatura consigliati.

Regolatore della forza

A seconda di come si preferisce il caffè, consigliamo di usare il regolatore della forza (J), che regola il Coffee Grinder in modo da macinare quantità leggermente superiori o inferiori rispetto a quelle preimpostate. Per aumentare la quantità di caffè, ruotare il regolatore della forza verso destra, verso il segno più "+". Per diminuire la quantità di caffè, ruotare il regolatore verso sinistra, verso il segno meno "-".



IT

Modalità manuale

Utilizzare la modalità manuale **"M"** quando si desidera pesare separatamente i grani e inserirli nella tramoggia vuota per la macinatura (dosaggio singolo). Quando il Coffee Grinder viene avviato in modalità manuale, funzionerà fino a quando tutti i grani nella tramoggia saranno macinati e poi si fermerà automaticamente. Il Coffee Grinder può essere arrestato anche manualmente premendo il pulsante START/STOP.

Aarke AutoGrind™

Aarke Coffee Grinder può essere collegato ad Aarke Coffee Maker tramite il cavo Aarke AutoGrind™ Connector Cord. In questo modo gli apparecchi possono funzionare automaticamente insieme. In base alla quantità di acqua nel serbatoio di Aarke Coffee Maker, Aarke Coffee Grinder calcola e macina la quantità di caffè corrispondente. Per maggiori informazioni su Aarke Coffee System™, scansionare il codice QR.



Collegamento degli apparecchi

- Assicurarsi che entrambi gli apparecchi siano spenti e scollegati dalle prese elettriche. Togliere la tramoggia del caffè in grani da Aarke Coffee Grinder. Togliere la caraffa in vetro, il coperchio del serbatoio dell'acqua e il cestello del filtro da Aarke Coffee Maker. Posizionare con attenzione gli apparecchi su un lato, appoggiandoli su un panno o su un altro materiale morbido per proteggerli dai graffi.
- Collegare un'estremità del cavo Aarke AutoGrind™ Connector Cord alla presa del cavo di collegamento (M) posta sotto Aarke Coffee Grinder e l'altra estremità alla presa del cavo di collegamento posta sotto Aarke Coffee Maker.
- Riportare entrambi gli apparecchi in posizione verticale e collocarli su una superficie piana e asciutta. Collegare ciascun cavo di alimentazione a una presa con messa a terra.

Tramite Aarke AutoGrind™

1. Posizionare la caraffa in vetro, con il coperchio, sulla piastra riscaldante della macchina da caffè. Assicurarsi che la caraffa in vetro sia pulita.
2. Riempire il serbatoio dell'acqua della macchina da caffè con acqua pulita e fredda. A questo punto il LED del serbatoio dell'acqua sulla macchina da caffè si accende.
3. Inserire un filtro standard 1 x 4 nel cestello del filtro. Posizionare il cestello del filtro sotto lo scivolo del Coffee Grinder.
4. Riempire la tramoggia (B) con il caffè tostato in grani interi. Assicurarsi che ci sia caffè in grani a sufficienza per la quantità di caffè macinato desiderata (~7,5 g di caffè per ogni tazza da 125 ml). Rimettere il coperchio in vetro (A) sopra la tramoggia.
5. Selezionare il grado di macinatura preferito sul selettore di macinatura. Consultare la tabella sul coperchio in vetro (A) come guida. Per ulteriori informazioni sulla scelta del grado di macinatura, vedere il capitolo <Regolazione del grado di macinatura>.
6. Selezionare la modalità AutoGrind™ **"A"** sul selettore delle tazze (I). L'indicatore LED (H) sul Coffee Grinder si illumina di bianco. Se l'indicatore LED (H) diventa rosso, ci sono anomalie nel collegamento. Ripetere i passaggi in <Collegamento degli apparecchi>.
7. Premendo il pulsante START/STOP (G), il Coffee Grinder macina una quantità di caffè corrispondente alla quantità di acqua nel serbatoio della macchina da caffè. Mentre il Coffee Grinder è in funzione, l'indicatore LED (H) lampeggia. Una volta terminato il ciclo di macinatura, l'indicatore LED (H) si spegne.
8. Posizionare il cestello del filtro con il caffè appena macinato sulla macchina da caffè.
9. Premere il pulsante di accensione per avviare la macchina da caffè. L'indicatore LED sulla macchina da caffè si accende, dando il via al ciclo di preparazione.
10. Quando il caffè è pronto, l'indicatore LED nella finestra del livello dell'acqua si spegne.

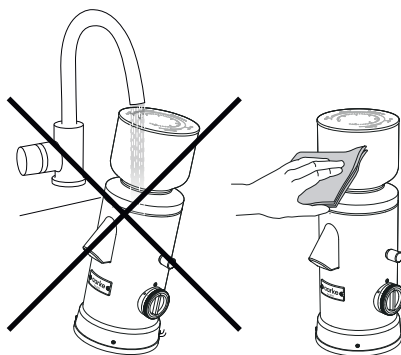
Nota:

- Il regolatore della forza funziona anche in modalità AutoGrind™.

Pulizia e manutenzione

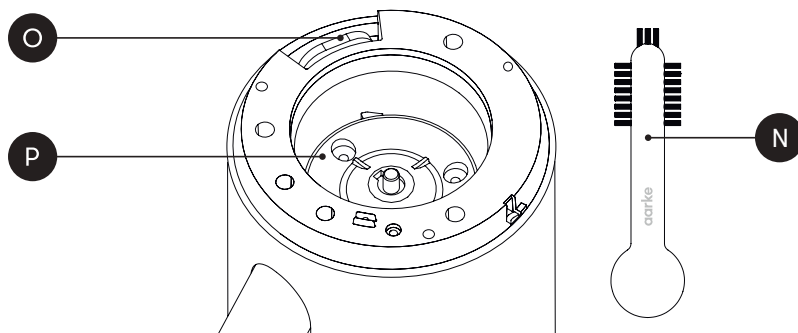
Una pulizia e una cura adeguate garantiranno a questo apparecchio anni di utilizzo. Pulire l'apparecchio dopo ogni utilizzo.

- Prima di pulirlo, scollegare sempre il Coffee Grinder e assicurarsi che le parti si siano arrestate completamente.
- Non immergere l'apparecchio in acqua durante la pulizia.
- Utilizzare un panno morbido e umido per pulire l'esterno. Non pulire l'apparecchio utilizzando prodotti detergenti aggressivi, pagliette in lana d'acciaio o altri materiali abrasivi.
- Lavare la tramoggia del caffè in grani con un detergente delicato e risciacquare abbondantemente.
- Il coperchio in vetro e il contenitore del caffè macinato sono lavabili in lavastoviglie.
- Pulire le macine del macinacaffè almeno ogni tre mesi.
- Prima di aggiungere altri grani nella tramoggia, eliminare eventuali residui di caffè rimasti all'interno del Coffee Grinder. Per prima cosa, svuotare la tramoggia. Rimettere la tramoggia al suo posto, ruotare il selettore delle tazze (I) su "M" e azionare il Coffee Grinder, facendolo lavorare fino a quando non si ferma automaticamente. Ripetere una volta.




Pulizia delle macine

1. Assicurarsi che il Coffee Grinder sia posizionato su una superficie piana e asciutta.
2. Sbloccare la tramoggia ruotandola in senso antiorario ed estrarla dal Coffee Grinder.
3. Ruotare il selettore di macinatura (C) in senso antiorario fino a quando non è possibile rimuoverlo.
4. Estrarre la spazzola per la pulizia (N) dal suo alloggiamento (O).
5. Spazzolare accuratamente le macine piatte (P) utilizzando la spazzola per la pulizia, assicurandosi che le superfici siano pulite.
6. Riporre la spazzola per la pulizia nella sua custodia del Coffee Grinder.
7. Sostituire il selettore di macinatura ruotandolo completamente fino all'arresto, quindi riportarlo all'impostazione desiderata.
8. Posizionare la tramoggia sul Coffee Grinder e ruotarla in senso orario fino a quando non è saldamente in posizione.
9. Fissare il coperchio in vetro. Il Coffee Grinder è ora nuovamente pronto per l'uso.



Raccolta differenziata

 Questo simbolo sull'apparecchio o sull'imballaggio indica che il prodotto non può essere trattato come rifiuto domestico. Per riciclarlo, portarlo presso un punto di raccolta ufficiale in cui è possibile rimuovere e riciclare i componenti elettrici in modo sicuro e professionale. Separare le parti non elettriche e riciclarle secondo le normative locali. Riciclare l'imballaggio.

Risoluzione dei problemi

Per la risoluzione dei problemi, consultare la tabella seguente, visitare aarke.com/support o scansionare il codice QR.



Problema	Causa	Soluzione
L'indicatore LED (H) continua a lampeggiare in rosso.	Nella tramoggia non c'è abbastanza caffè per completare il ciclo di macinatura.	Riempire la tramoggia e premere il pulsante; a questo punto il Coffee Grinder finirà di macinare la dose già iniziata.
Quando si preme il pulsante START/STOP, l'indicatore LED (H) lampeggia in rosso tre volte.	La posizione del selettore delle tazze (I) è tra due modalità.	Ruotare il selettore (I) per posizionarlo su una delle modalità.
Quando si preme il pulsante START/STOP, l'indicatore LED (H) lampeggia in rosso tre volte.	Viene selezionata la modalità di macinatura automatica (A) ma non è presente alcun collegamento alla macchina per il caffè.	Verificare che i cavi di alimentazione siano inseriti in una presa e che il cavo di collegamento (M) sia inserito in entrambi gli apparecchi.
Il selettore delle tazze (I) è in modalità automatica "A" e l'indicatore LED (H) è rosso.	Assenza di collegamento tra il Coffee Grinder e il Coffee Maker.	Controllare il cavo di collegamento (F).

IT

Servizio Clienti

Prima di contattare il Servizio Clienti, assicurarsi di disporre delle informazioni relative a modello e numero di serie, che si trovano sull'etichetta identificativa sul fondo del Coffee Grinder. Poiché la policy di Aarke persegue il continuo sviluppo dei prodotti, le specifiche, i colori e i dettagli dei nostri prodotti e di quelli menzionati nel presente manuale sono soggetti a modifiche senza preavviso.

Per assistenza, visitare aarke.com/support o inviare un'e-mail a support@aarke.com.

JA 取扱説明書

Aarke Coffee Grinder

モデル A1340 - 1352


使用前にこの取扱説明書をよくお読みください。いつでも取り出して読めるよう大切に保管しておいてください。

本取扱説明書の図表や図面は、製品の一般的な説明のみを目的としたものであり、製品本体とは異なる場合があります。

コンポーネント

A ガラス蓋	F Aarke AutoGrind™ Connector Cord	K 電源コード
B 豆ホッパー	G START/STOPボタン	L コード収納部
C 粗さ調節ダイヤル	H LEDインジケーター	M Aarke AutoGrind™ Connector
D シュート	I 杯数ダイヤル	
E 粉カップ	J 微調整用つまみ	

安全上のご注意

- **警告!** 本機を使用する際は、以下の指示に従ってください。誤った取り扱いをすると、感電やその他の危険を招く恐れがあります。
- **警告!** 本製品が損傷している場合、コードやプラグが破損している場合、または本製品が正しく動作しない場合は、危険防止のため本製品を操作しないでください。ご使用前には必ず本製品をチェックしてください。
- **警告!** 感電の危険を避けるため、電源コード、プラグ、または本機のその他の部分を水やその他の液体に浸さないでください。
- **警告!** 運転中はグラインダーに触れないでください。
- 本機にアダプターを使用しないでください。
- グラインダー使用中は、絶対に放置しないでください。本製品をお子様を使用する場合、またはお子様の近くで使用する場合は、大人の十分な監督が必要です。お子様の手の届くところでは使用しないでください。お子様が電源コードを引っ張ったり、本機を倒したりしないようにしてください。
- 感電や火災の危険を避けるため、本機はアース付きコンセントに接続してください。
- 本機は、異常動作状態時に、電源から切り離されるように設計されています。
- ケーブルを引っ張って電源から抜いたり、濡れた手でプラグを抜いたりしないでください。
- 本機を電源に接続する前に、本機下側の銘板に表示されている電圧が、ご家庭の電圧と一致している

ことを確認してください。そうでない場合は、本製品を使用しないでください。

- 本機メーカーが承認していないアクセサリを使用すると、火災、感電、けがの原因となることがあります。
- 本機は、身体的、感覚的、または精神的能力が低下している人、経験や知識が不足している人(8歳以上のお子様も含む)でも、安全な方法での本機の使用に関して監督や指導を受け、危険性を理解している場合には使用することができます。8歳以上のお子様で監督されている場合を除き、清掃やユーザーメンテナンスはお子様が行わないようにしてください。本製品と電源コードは、8歳未満のお子様の手の届かないところに保管してください。
- お子様の本機で遊ばないようにしてください。お子様がいるところで本機を使用する場合は、安全な距離を保ってください。お子様が電源コードを引っ張ったり、本機を倒したりしないようにしてください。
- 本製品は、家庭用あるいはそれに類似する次のような環境での使用を意図しています: 店舗やオフィス、その他の労働環境のスタッフ用キッチンエリア、農場、ホテルやモーテル、その他の住宅タイプの環境の顧客による使用、ベッド&ブレイクファーストタイプの環境。
- コンポーネントを組み立てたり分解したりする前や清掃する前には、本機のスイッチを切り、電源コードをコンセントから抜いてください。
- 本機は監督下で運転してください。
- 本機の底面パネルを取り外さないでください。内部にはユーザーが自分で修理できる部品はありません。修理は認定された担当者のみ行うことができます。

JA

- グライNDERはコーヒー豆を挽く用途のために作られています。コーヒー豆とグライNDERクリーナー以外のものは、Coffee Grinderには入れないでください。
- 爆発性ガスや可燃性ガスがある所では操作しないでください。
- 使用前に、豆ホッパーに異物が混入していないか確認してください。
- グライNDERが誤って落下しないように、カウンターの端近くには置かず、乾燥した場所でグライNDERを操作してください。運転中の振動でグライNDERが動くことがあります。
- 適切な使用のためには、本機を1回につき90秒未満の運転にし、連続して2サイクル行う場合は間に最低90秒の休止時間をとってください。
- 本製品を屋外、湿気の多い場所、氷点下の場所で保管または使用しないでください。
- ガスコンロや電気コンロ、加熱したオープン、電子レンジなど、熱源と接触する可能性のある場所に本製品を置かないでください。
- 本機を水に近づけないでください。
- 運転中は絶対に本機を動かさないでください。
- 電源コードをテーブルやカウンターの端からぶら下げたり、熱い表面に接触させたりしないでください。
- 本製品および/または内部部品が損傷する恐れがある、本製品を落としたり、転倒させたりしないよう注意してください。
- 電源コードや機器に液体をこぼさないでください。
- 開梱後、ビニール袋やその他の梱包材はリサイクルしてください。お子様の手の届かないところに保管してください。

本取扱説明書を保管してください

製品の操作

JA

初めてお使いになる前に

Aarke Coffee Grinderの包装を丁寧に解き、梱包材を取り除きます。豆ホッパー、ガラス蓋、粉カップは中性洗剤で洗い、使用前に水気を拭き取ってください。Coffee Grinderを平らで乾いた場所に置きます。豆ホッパーをコーヒーグライNDERの上に置き、時計回りに回してしっかりと固定します。電源コードをアース付きコンセントに接続します。

製品の使用方法

1. 豆ホッパー (B) に焙煎したコーヒー豆を入れます。挽くコーヒーの量に見合った十分な量のコーヒー豆を用意してください(125mlのカップ1杯につき約7.5g)。ガラス蓋 (A) を豆ホッパーの上に置きます。
2. 粗さ調節ダイヤル (C) で1~60の間でお好みの挽き具合をお選びください(1=細挽き、60=粗挽き)。
3. ガラス蓋 (A) の挽き具合チャートを目安にしてください。挽き具合の選択について詳しくは、<挽き具合の設定>の章を参照してください。
4. 杯数ダイヤル (I) で杯数 "2", "3", "4", "5", "6", "8" または "10" を選択してください。
5. "M" でマニュアルモードを選ぶこともできます。後述の<マニュアルモード>の章を参照してください。Coffee GrinderをAarke Coffee Makerに接続している場合は、"A"でAutoGrind™モードをお選びいただけます。詳しくは後述の<AutoGrind™>の章を参照してください。
6. 粉カップ (E) またはCoffee Makerのフィルターバスケットをシュート (D) の下に置きます。
7. START/STOPボタン (G) を押すと、Coffee Grinderが、選択した杯数に応じた量のコーヒーを挽きます。Coffee Grinderの作動中はLEDインジケーター (H) が点滅します。粉碎サイクルが完了すると、LEDインジケーター (H) が消えます。

注意:

- 挽き具合を調整することで、自分の好みに合わせて風味のバランスをとることができます。コーヒーが苦すぎると感じたら、もっと粗く挽いてみましょう。酸味が強すぎる場合は、もっと細かく挽きます。
- 豆の焙煎度合いや挽き具合によって、挽かれるコーヒーの量は多少異なります。より正確にしたい場合は、微調整用つまみ (J) を使ってコーヒーの量を微調整することができます。
- このCoffee Grinderには、挽き具合を記憶するレジューム機能があります。粉碎サイクルが完了する前に豆ホッパー内の豆がなくなると、LEDインジケータ (H) が赤く点滅します。豆ホッパーに豆を補充し、START/STOP ボタンを押してください。そうするとCoffee Grinderは、すでに開始された作業の残り時間分を挽き終え、Coffee GrinderのLEDランプ (H) が白く点滅します。

挽き具合の設定

挽き始める前に、挽き具合 (粒度) を設定することをお勧めします。挽き具合は、どの淹れ方でコーヒーを飲むかによって異なります。粗さ調節ダイヤル (C) を使って、淹れ方に応じて1~60の間で挽き具合を設定します (1=細挽き、60=粗挽き)。ガラス蓋 (A) の挽き具合チャートに、淹れ方に適した範囲が示されています。推奨挽き具合 (粒度) 範囲は以下の表1にも示されています。

同じ淹れ方でも、コーヒー豆の種類が違ふと必要な挽き具合も異なります。コーヒーの味が強くて苦い場合は、挽き具合を粗め (ダイヤルの数字が大きい方) に変えてください。コーヒーの味が酸っぱすぎる場合は、挽き具合を細め (ダイヤルの数字が小さい方) に変えてください。

使用中の挽き具合よりも細挽きに設定したい場合は、希望の細挽きの設定になるまで粗さ調節ダイヤルを5段階下げることにより少量のコーヒー豆を挽くことをお勧めします。これにより、モーターがロックするのを防ぐことができます。

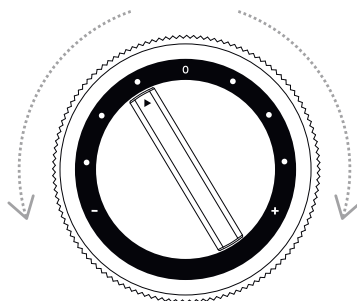
	淹れ方	範囲
	モカ	10-20
	エアロプレス	15-25
	ハンドドリップ	20-35
	サイフォン	30-35
	フィルター抽出	30-40
	ケメックス	40-50
	フレンチプレス	45-55
	水出し	50-60

表1: 推奨挽き具合。

JA

微調整用つまみ

少し濃いめ、または薄めのコーヒーがお好みの場合は、微調整用つまみ (J) を使って、Coffee Grinderの設定量より少し多め、または少なめに挽くように調節してください。コーヒーの量を増やすには、微調整用つまみを右のプラス記号 "+" の方向に回します。コーヒーの量を減らすには、左のマイナス記号 "-" の方向に回します。



マニュアルモード

豆を別々に計量し、空の豆ホッパーに入れて粉碎する場合（シングル投入）にはマニュアルモード**"M"**を使用します。マニュアルモードでCoffee Grinderをスタートさせると、豆ホッパー内の豆がすべて挽かれるまで作動し、その後自動的に停止します。Coffee GrinderはSTART/STOPボタンを押して、手動で停止することもできます。

Aarke AutoGrind™

Aarke Coffee Grinderは、Aarke AutoGrind™ Connector Cordによって、Aarke Coffee Makerに接続することができます。これにより、両機を自動的に連動させることができます。Aarke Coffee Makerの水タンク内の水量に基づいて、Aarke Coffee Grinderが対応するコーヒー豆の量を計算し、挽きます。Aarke Coffee System™について詳細はQRコードをスキャンしてご覧ください。



機器の接続

- 両方の機器の電源が切れており、コンセントから外れていることを確認します。Aarke Coffee Grinderから豆ホッパーを取り外します。ガラス製カラフェ、水タンクのふた、フィルターバスケットをAarke Coffee Makerから取り外します。各機器を慎重に横に置き、傷がつかないように布などの柔らかい素材を下に敷きます。
- Aarke AutoGrind™ Connector Cordの一方の端をAarke Coffee Grinderの下にあるコネクタコードコンセント (M) に差し込み、もう一方の端をAarke Coffee Makerの下にあるコネクタコードコンセントに差し込みます。
- 両製品を垂直に立て、平らで乾いた面に置きます。各電源コードをアース付きコンセントに差し込みます。

Aarke AutoGrind™ の使用

1. 蓋をしたガラス製カラフェをCoffee Makerのホットプレートに置きます。ガラス製カラフェが汚れていないことを確認してください。
2. Coffee Makerの水タンクにきれいな冷水を満たします。Coffee Makerの水タンクLEDが点灯します。
3. フィルターバスケットに1x4の標準フィルターを1枚入れます。フィルターバスケットをCoffee Grinderのシュートの下に置きます。
4. 豆ホッパー (B) に焙煎したコーヒー豆を入れます。挽くコーヒーの量に見合った十分な量のコーヒー豆を用意してください (125mlのカップ1杯につき約7.5g)。ガラス蓋 (A) を豆ホッパーの上に置きます。
5. 粗さ調節ダイヤルでお好みの挽き具合をお選びください。ガラス蓋 (A) の挽き具合チャートを目安にしてください。挽き具合の選択について詳しくは、<挽き具合の設定>の章を参照してください。
6. 杯数ダイヤル (I) でAutoGrind™ モード**"A"**を選択します。Coffee GrinderのLEDインジケーター (H) が白く点灯します。LEDインジケーター (H) が赤くなったら、接続に何か問題があります。<機器の接続>の手順を繰り返してください。
7. START/STOPボタン (G) を押すと、Coffee Grinderが、Coffee Makerの水タンク内の水量に応じた量のコーヒーを挽きます。Coffee Grinderの作動中はLEDインジケーター (H) が点滅します。粉碎サイクルが完了すると、LEDインジケーター (H) が消えます。
8. 挽きたてのコーヒーが入ったフィルターバスケットをCoffee Makerの所定の位置に置きます。
9. 電源ボタンを押してCoffee Makerを起動します。Coffee MakerのLEDインジケーターが点灯し、抽出サイクルが始まります。
10. コーヒーの準備ができると、水位窓のLEDインジケーターが消えます。

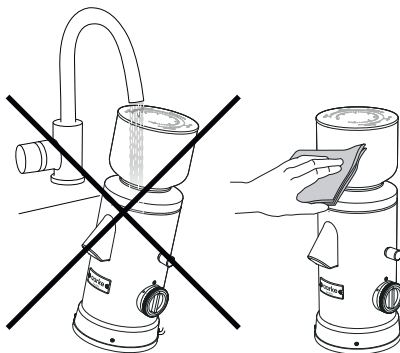
注意:

- 微調整つまみはAutoGrind™モードでも機能します。

掃除とお手入れ

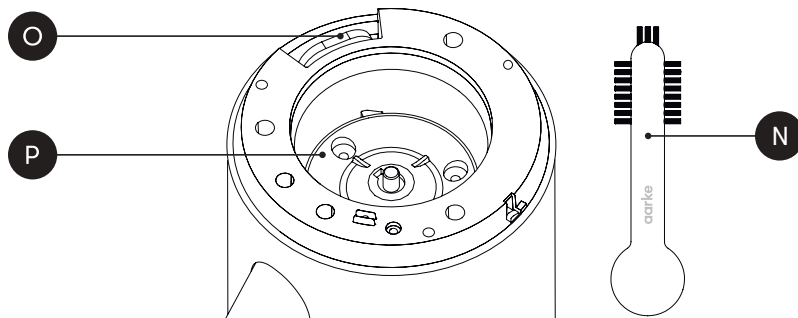
適切な掃除とお手入れにより、本製品は末永くお使いいただけます。毎回使用後は必ず掃除してください。

- Coffee Grinderを掃除する前には、必ず電源プラグを抜き、部品が動かなくなったことを確認してください。
- 本製品を掃除する際は、水に浸さないでください。
- 柔らかい湿らせた布で、本機の外側を拭いてください。刺激の強いクリーン剤、スチールワール、またはその他の研磨剤を使用して本製品を清掃しないでください。
- 豆ホッパーは中性洗剤で洗い、よくすすいでください。
- ガラスの蓋と粉カップは食器洗い機で洗えます。
- グライNDERのバリは3ヶ月に1度、またはそれ以上の頻度で掃除してください。
- 豆を交換する際は、新しい豆を豆ホッパーに入れる前に、Coffee Grinder内に残っているコーヒーのカスをすべて空にしてください。最初に、豆ホッパーを空にします。豆ホッパーをCoffee Grinderに戻し、杯数ダイヤル (I) を回して" M "に合わせ、自動的に止まるまでCoffee Grinderを 작동させます。もう1回繰り返します。




バリの掃除

1. Coffee Grinderが平らで乾いた場所に置かれていることを確認します。
2. 豆ホッパーを反時計回りに回してロックを解除し、Coffee Grinderから取り外します。
3. 粗さ調節ダイヤル (C) を取り外せるようになるまで反時計回りに回します。
4. クリーニングブラシ (N) をコンパートメント (O) から取り出します。
5. クリーニングブラシを使用して、平バリ (P) を丁寧にブラッシングし、表面をきれいにします。
6. クリーニングブラシをCoffee Grinderのケースに戻します。
7. 粗さ調節ダイヤルを、止まるまで回転させて元に戻し、それから希望の設定まで回転して戻します。
8. 豆ホッパーをコーヒーグラインダーの上に置き、時計回りに回してしっかりと固定します。
9. ガラス蓋を取り付けます。これでCoffee Grinderは再び使えるようになります。



リサイクル

 本製品または包装に表示されているこのシンボルマークは、製品が家庭ごみとして扱ってはならないことを示しています。製品をリサイクルするには、電気部品を安全かつ専門的に取り外してリサイクルできる公的な回収場所にお出しく下さい。電気部品以外は分別し、地域の規則に従ってリサイクルしてください。梱包材はリサイクルしてください。

トラブルシューティング

トラブルシューティングについては、以下の表をご参照いただくか、aarke.com/support をご覧いただくか、QRコードを読み取ってください。



問題点	原因	解決策
LEDインジケータ (H) が赤く点滅し続ける。	挽くのに十分な豆が豆ホッパー内にない。	豆ホッパーに豆を入れ、ボタンを押すと、Coffee Grinderはすでに開始された作業を続けて終わりまで挽きます。
START/STOPボタンを押すと、LEDインジケータ (H) が赤く3回点滅する。	杯数ダイヤル (I) がモードとモードの間にある。	杯数ダイヤル (I) をモード位置に回します。
START/STOPボタンを押すと、LEDインジケータ (H) が赤く3回点滅する。	自動挽きモード (A) が選択されているが、Coffee Makerに接続されていない。	電源コードがコンセントに差し込まれていること、接続コード (M) が両方の機器に差し込まれていることを確認してください。
杯数ダイヤル (I) が自動モード "A" になっていて、LEDインジケータ (H) が赤色になっている。	Coffee GrinderとCoffee Makerが接続していない。	接続コード (F) をチェックします。

カスタマーサポート

カスタマーサービスにお問い合わせの際は、モデル番号とシリアル番号をあらかじめご用意ください。これらの情報は、Coffee Grinderの下側にある銘板に記載されています。Aarkeでは継続的に製品開発を行っており、当社の製品の仕様、色、詳細、および本取扱説明書に記載されている内容は、予告なく変更される場合があります。

サポートについては、aarke.com/support をご覧いただくか、support@aarke.com まで電子メールをお送りください。

KO 사용 설명서

Aarke Coffee Grinder
Model A1340 - 1352

사용 전에 이 사용 설명서를 주의 깊게 읽으십시오. 나중에 참조할 수 있도록 보관하십시오.

이 사용 설명서의 그래픽과 그림은 제품에 대한 일반적인 설명일 뿐이며 제품 자체와 다를 수 있습니다.

구성요소

- | | | |
|--------------------|--|-------------------------------------|
| A 유리 뚜껑 | F Aarke AutoGrind™ Connector Cord | K 전원 코드 |
| B 원두 호퍼 | G 시작/정지 버튼 | L 내부 코드 보관함 |
| C 분쇄 크기 다이얼 | H LED 표시등 | M Aarke AutoGrind™ Connector |
| D 슈트 | I 컵 다이얼 | |
| E 찌꺼기 컵 | J 강도 미세 조정기 | |

중요한 안전장치

- **경고!** 제품을 사용할 때 다음 지침을 따르십시오. 잘못 사용하면 감전이 발생하거나 기타 위험을 초래할 수 있습니다.
- **경고!** 제품이 손상되거나 코드 또는 플러그가 손상된 경우 또는 제품이 제대로 작동하지 않을 때는 위험을 방지하기 위해 제품을 작동하지 마십시오. 사용하기 전에 항상 제품을 점검하십시오.
- **경고!** 감전 위험을 피하려면 전원 코드, 플러그 또는 제품의 다른 부분을 물이나 기타 액체에 담그지 마십시오.
- **경고!** 그라인더가 작동 중일 때는 만지지 마십시오.
- 어댑터를 이 제품과 함께 사용하지 마십시오.
- 사용 중인 그라인더를 절대로 방치하지 마십시오. 어린이가 제품을 사용하거나 어린이가 근처에 있을 때는 세심하게 감독하십시오. 어린이의 손이 닿는 곳에서 사용하지 마십시오. 어린이가 전원 코드를 잡아당기거나 제품을 넘어뜨리지 않도록 주의하십시오.
- 감전이나 화재의 위험을 방지하려면 이 제품을 접지된 콘센트에 꽂아야 합니다.
- 이 제품은 비정상적인 작동 조건일 때 전극에서 활성 전기 공급이 차단되도록 설계되었습니다.
- 케이블을 당겨 제품을 전원 공급 장치에서 분리하지 말고 젖은 손으로 플러그를 뽑지 마십시오.



- 제품을 전원 공급 장치에 연결하기 전에 제품 밑면의 정격 플레이트에 표시된 전압이 가정의 전압과 일치하는지 확인하십시오. 일치하지 않는다면 제품을 사용하지 마십시오.
- 제품 제조업체에서 승인하지 않은 액세서리를 사용하면 화재, 감전 또는 부상이 발생할 수 있습니다.
- 감소된 신체적, 감각적 또는 정신적 능력을 지닌 사람(8세 이상의 어린이 포함)이나 경험과 지식이 부족한 사람은 안전한 방식으로 제품을 사용하도록 감독 또는 교육을 받고 제품 사용에 관련된 위험을 이해했을 때 이 제품을 사용할 수 있습니다. 8세 이상이거나 감독자가 있는 경우가 아니라면, 세척 및 사용자 유지관리 작업은 어린이가 해서는 안 됩니다. 제품과 전원 코드는 8세 미만 어린이의 손이 닿을 수 없는 곳에 보관하십시오.
- 어린이가 제품을 갖고 놀아서는 안 됩니다. 어린이가 있을 때 제품을 사용한다면, 안전거리를 유지하십시오. 어린이가 전원 코드를 잡아당기거나 제품을 넘어뜨리지 않도록 주의하십시오.
- 이 제품은 가정 및 상점, 사무실 및 기타 작업 환경의 직원 주방 공간, 농장, 호텔, 모텔 및 기타 거주 유형 환경에 있는 고객, 민박 유형 환경 등 유사한 환경에서 사용하도록 설계되었습니다.
- 구성요소를 조립하거나 분해하고 세척하기 전에 제품의 전원을 끄고 콘센트에서 전원 코드를 뽑으십시오.

KO

- 이 제품은 감독하에서 작동되어야 합니다.
- 제품의 하단 패널을 제거하지 마십시오. 제품 내부에는 사용자가 수리할 수 있는 부품이 없습니다. 허가받은 담당자만 수리 작업을 할 수 있습니다.
- 그라인더는 커피 원두를 분쇄하기 위한 것입니다. 커피 그라인더에 원두와 그라인더 클리너가 아닌 다른 물질을 넣지 마십시오.
- 폭발성 및/또는 인화성 연기가 있는 곳에서 작동하지 마십시오.
- 사용하기 전에 원두 호퍼에 이물질이 있는지 확인하십시오.
- 조리대 가장자리에서 떨어진 평평하고 마른 표면에서 그라인더를 작동하여 실수로 떨어지는 일이 없도록 하십시오. 작동 중 진동으로 인해 그라인더가 움직일 수 있습니다.
- 올바른 사용을 위해, 일 회 분쇄 시 90초 미만으로 제품을 작동하고 연속되는 두 사이클 사이에 최소 90초간 휴지 간격을 두십시오.
- 실외, 습기가 많은 곳 또는 영하의 온도에서 이 제품을 사용하거나 보관하지 마십시오.
- 가스 또는 전기 레인지, 가열된 오븐, 전자레인지 등 열원과 접촉할 수 있는 곳에 제품을 배치하지 마십시오.
- 물이 닿지 않는 곳에 제품을 두십시오.
- 작동 중인 제품을 절대로 이동하지 마십시오.
- 전원 코드가 테이블이나 조리대 가장자리에 걸리지 않도록 하고, 뜨거운 표면에 닿지 않도록 하십시오.
- 제품 및/또는 내부 부품이 손상될 수 있으므로 제품을 떨어뜨리거나 넘어뜨리지 않도록 주의하십시오.
- 전원 코드 및/또는 제품에 액체가 쏟아지지 않도록 주의하십시오.
- 제품의 포장재를 제거한 후 비닐봉지 및 기타 포장재는 재활용하십시오. 어린이의 손이 닿지 않도록 하십시오.

이 지침 저장하기

제품 작동하기

처음 사용하기 전

주의해서 Aarke Coffee Grinder의 포장을 풀고 포장재를 제거하십시오. 중성 세제를 사용하여 원두 호퍼, 유리 뚜껑, 찌꺼기 컵을 씻은 후 물기를 닦아내고 사용하십시오. Coffee Grinder를 평평하고 마른 표면에 두십시오. 원두 호퍼를 Coffee Grinder 상단에 놓고 시계 방향으로 돌려 제자리에 단단히 고정하십시오. 전원코드는 접지된 콘센트에 연결하십시오.

제품 사용하기

1. 원두 호퍼(B)에 분쇄하지 않은 커피 원두를 채웁니다. 원하는 분쇄 커피의 양(125ml 한 컵에 7.5g)에 맞춰 충분한 양의 원두를 넣으십시오. 원두 호퍼 상부에 유리 뚜껑(A)을 놓으십시오.
2. 분쇄 크기 다이얼(C)의 1에서 60 사이(1=가늘게, 60=거칠게)에서 원하는 분쇄 크기를 선택하십시오.
3. 유리 뚜껑(A)의 분쇄 차트를 참조하십시오. 분쇄 크기에 관한 자세한 정보는 <분쇄 크기 설정> 장을 참조하십시오.
4. 컵 다이얼의 “2”, “3”, “4”, “5”, “6”, “8”, “10” 중에서 컵 수를 선택하십시오.
5. 아래의 <수동 모드> 장을 참조하여 수동 모드를 위해 “M”을 선택하거나, Coffee Grinder가 Aarke Coffee Maker에 연결된 AutoGrind™ 모드를 위해 “A”를 선택할 수 있습니다. 더 자세한 내용은 아래의 <AutoGrind™> 장을 참조하십시오.
6. Coffee Maker의 찌꺼기 컵(E), 또는 필터 바스켓을 슈트(D) 아래에 놓습니다.

7. 시작/정지 버튼(G)을 누르면 Coffee Grinder가 선택한 컵 수에 해당하는 양의 커피를 분쇄합니다. Coffee Grinder가 작동하는 동안 LED 표시등(H)이 깜박입니다. 분쇄 사이클이 끝나면, LED 표시등(H)이 꺼집니다.

참고:

- 분쇄 크기를 조절하여 자신의 취향에 맞춰 맛의 균형을 찾을 수 있습니다. 커피에서 쓴맛이 너무 강하면, 더 거칠게 분쇄해 보십시오. 너무 신맛이 강하면, 더 가늘게 분쇄해 보십시오.
- 분쇄되어 나오는 커피의 양은 원두의 로스팅 레벨과 분쇄 크기에 따라 약간씩 달라질 수 있습니다. 더 정밀한 분쇄가 필요하다면, 강도 조절기(J)를 사용하여 분쇄되어 나오는 커피의 양을 미세 조정할 수 있습니다.
- Coffee Grinder에는 분쇄 재개 메모리가 있습니다. 분쇄 사이클이 완료되기 전에 원두 호퍼의 원두가 다 떨어지면 LED 표시등(H)이 빨간색으로 깜박입니다. 원두 호퍼에 원두를 다시 채우고 시작/정지 버튼을 누르십시오. 이제 Coffee Grinder가 이미 시작된 한 회분의 남은 시간 동안 분쇄를 완료하고 Coffee Grinder의 LED 표시등(H)이 흰색으로 깜박입니다.

분쇄 크기 설정

분쇄를 시작하기 전에 분쇄 크기를 설정하는 것이 좋습니다. 분쇄 크기는 사용하려는 추출 방법에 따라 달라집니다. 분쇄 크기 다이얼(C)을 사용하여 1-60의 범위(1=가늘게, 60=거칠게) 안에서 분쇄 크기를 설정하십시오. 유리 뚜껑(A)의 분쇄 차트에 원하는 추출 방법에 맞는 분쇄 범위가 표시되어 있습니다. 표 1에서도 권장 분쇄 크기 범위를 살펴볼 수 있습니다.

동일한 추출 방식을 위해 커피 원두에 따라 분쇄 크기를 달리해야 할 수 있습니다. 커피 맛이 강하고 쓰다면, 분쇄 크기를 더 거칠게(다이얼에서 더 높은 숫자) 변경하십시오. 커피 맛이 너무 시다면, 분쇄 크기를 더 가늘게(다이얼에서 더 낮은 숫자) 변경하십시오.

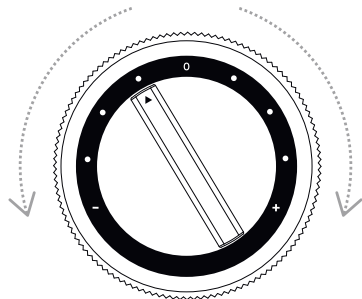
사용 중인 것보다 더 가는 분쇄 크기를 원한다면, 가장 가는 분쇄 크기 설정에 도달할 때까지 분쇄 크기 다이얼의 5단계마다 소량의 커피를 분쇄해 보는 것이 좋습니다. 이렇게 하면 모터 잠금을 방지할 수 있습니다.

	추출 방법	범위
	모카	10-20
	에어로프레스	15-25
	핸드 필터링	20-35
	사이폰	30-35
	필터 브루잉	30-40
	케멕스	40-50
	프렌치 프레스	45-55
	콜드 브루	50-60

표 1: 권장 분쇄 크기.

강도 미세 조정기

조금 더 진하거나 연한 커피를 추출하고 싶다면, 강도 미세 조정기(J)를 사용하여 Coffee Grinder를 조정하여 약간 더 또는 덜 분쇄하도록 할 수 있습니다. 커피의 양을 늘리려면, 강도 조정기를 오른쪽으로 플러스 "+” 기호를 향해 회전합니다. 커피의 양을 줄이려면, 강도 조정기를 왼쪽으로 마이너스 "-” 기호를 향해 회전합니다.



수동 모드

원두의 무게를 따로 측정한 후 빈 호퍼에 넣어 분쇄(싱글 도즈)하려면 수동 모드 “M”을 선택하십시오. 수동 모드에서 커피 그라인더를 시작하면, 원두 호퍼에 있는 모든 원두가 분쇄된 후 자동으로 작동이 정지됩니다. 시작/정지 버튼을 눌러 커피 그라인더를 수동으로 정지할 수도 있습니다.

Aarke AutoGrind™

Aarke Coffee Grinder는 Aarke AutoGrind™ Connector Cord를 통해 Aarke Coffee Maker에 연결될 수 있습니다. 이렇게 하면 제품들이 자동으로 함께 작동할 수 있습니다. Aarke Coffee Grinder는 Aarke Coffee Maker 물탱크의 물의 양에 따라 해당 커피의 양을 계산하여 분쇄합니다. Aarke Coffee System™에 관한 더 자세한 내용은 QR 코드를 스캔하여 살펴보십시오.



제품 연결

- 두 제품의 전원이 꺼져 있고 전기 콘센트에서 분리되었는지 확인하십시오. Aarke Coffee Grinder에서 원두 호퍼를 분리하십시오. Aarke Coffee Maker에서 유리 카라페, 물탱크 뚜껑, 필터 바스켓을 분리하십시오. 굵힘으로부터 보호할 수 있는 천 또는 기타 부드러운 소재 위에 각 제품을 옆으로 눕혀 놓으십시오.
- Aarke AutoGrind™ Connector Cord의 한쪽 끝을 Aarke Coffee Grinder 아래의 Connector Cord Socket(M)에 꽂고 다른 쪽 끝을 Aarke Coffee Maker 아래의 Connector Cord Socket에 꽂으십시오.
- 두 제품을 똑바로 세우고 평평하고 마른 표면에 놓으십시오. 각 전원 코드를 접지된 콘센트에 꽂으십시오.

Aarke AutoGrind™ 사용하기

1. 뚜껑을 닫은 유리 카라페를 Coffee Maker의 핫 플레이트 위에 놓으십시오. 유리 카라페가 깨끗한지 확인하십시오.
2. Coffee Maker의 물탱크에 깨끗한 찬물을 채우십시오. Coffee Maker의 물탱크 LED에 불이 켜집니다.
3. 필터 바스켓에 한 개의 1x4 표준 필터를 넣으십시오. 필터 바스켓을 Coffee Grinder 슈트의 아래에 두십시오.
4. 원두 호퍼(B)에 분쇄하지 않은 커피 원두를 채웁니다. 원하는 분쇄 커피의 양(125ml 한 컵에 7.5g)에 맞춰 충분한 양의 원두가 있는지 확인하십시오. 원두 호퍼 상부에 유리 뚜껑(A)을 놓으십시오.
5. 분쇄 크기 다이얼에서 원하는 분쇄 크기를 선택하십시오. 유리 뚜껑(A)의 분쇄 차트를 참조하십시오. 분쇄 크기에 관한 자세한 정보는 <분쇄 크기 설정> 장을 참조하십시오.
6. 컵 다이얼(I)에서 AutoGrind™ 모드 “A”를 선택하십시오. Coffee Grinder의 LED 표시등(H)이 흰색으로 켜집니다. LED 표시등(H)이 빨간색으로 바뀌면 연결에 문제가 있는 것입니다. <기기 연결> 단계를 반복하세요. <제품 연결하기> 단계를 반복해 보십시오.
7. 시작/정지 버튼(G)을 누르면 Coffee Grinder가 Coffee Maker 물탱크에 있는 물의 양에 해당하는 양의 커피를 분쇄합니다. Coffee Grinder가 작동하는 동안 LED 표시등(H)이 깜박입니다. 분쇄 사이클이 끝나면, LED 표시등(H)이 꺼집니다.
8. 각 분쇄한 커피가 담긴 필터 바스켓을 Coffee Maker의 제 위치에 놓습니다.
9. 전원 버튼을 눌러 Coffee Maker를 시작하십시오. Coffee Maker의 LED 표시등이 켜지고 추출 사이클이 시작됩니다.
10. 커피가 준비되면 물 높이 창의 LED 표시등이 꺼집니다.

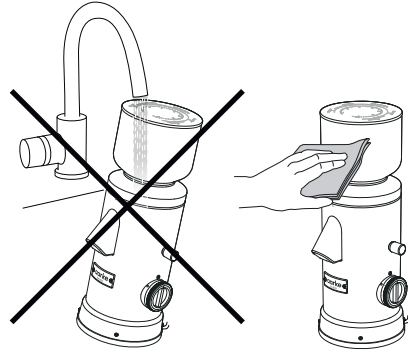
참고:

- AutoGrind™ 모드에서도 강조 미세 조정기를 작동할 수 있습니다.

세척 및 유지관리

이 제품은 적절한 세척 및 관리를 통해 다년간 사용할 수 있습니다. 사용하고 나서 매년 세척하십시오.

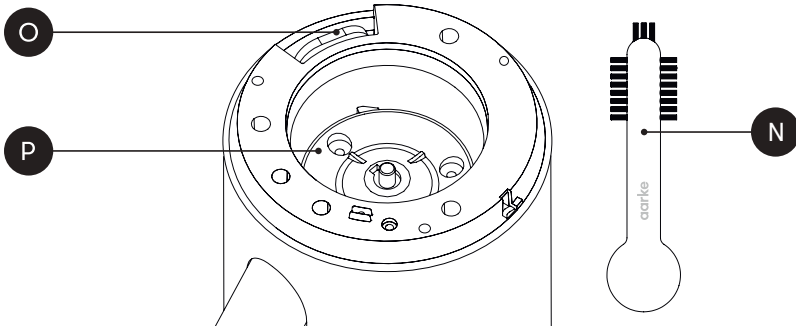
- Coffee Grinder를 세척하기 전에 항상 제품의 플러그를 뽑고 모든 부품의 작동이 멈췄는지 확인하십시오.
- 제품을 세척할 때 물에 담그지 마십시오.
- 부드럽고 젖은 천을 사용하여 제품 외부를 세척하십시오. 강한 세제, 철 수세미, 기타 연마성 소재를 사용하여 제품을 세척하지 마십시오.
- 중성 세제를 사용하여 원두 호퍼를 세척하고 깨끗이 행구십시오.
- 유리 뚜껑과 찌꺼기 컵은 식기세척기로 세척할 수 있습니다.
- 분쇄 버는 3개월마다, 또는 더 자주 세척하십시오.



- 원두를 교체할 때, Coffee Grinder 내부에 남은 커피 잔여물을 모두 비운 후 새 원두를 커피 호퍼에 넣으십시오. 먼저, 원두 호퍼를 비우십시오. 원두 호퍼를 Coffee Grinder에 다시 놓고 컵 다이얼(I)을 “M”으로 돌린 후 커피 그라인더가 자동으로 정지할 때까지 작동하십시오. 한 번 더 반복하십시오.

버 세척

1. Coffee Grinder가 평평하고 마른 표면에 놓여 있는지 확인하십시오.
2. 원두 호퍼를 시계 반대 방향으로 돌려 잠금 해제하고 Coffee Grinder에서 분리하십시오.
3. 분쇄 크기 다이얼(C)을 분리될 때까지 시계 반대 방향으로 돌리십시오.
4. 세척 브러시(N)를 컴파트먼트(O)에서 꺼내십시오.
5. 세척 브러시를 사용하여 표면이 깨끗한지 확인하면서 조심해서 플랫폼 버를 닦으십시오.
6. 세척 브러시를 Coffee Grinder의 케이스에 다시 넣으십시오.
7. 분쇄 크기 다이얼이 멈출 때까지 끝까지 돌린 다음, 원하는 설정으로 다시 돌리십시오.
8. 원두 호퍼를 Coffee Grinder에 놓고 시계 방향으로 돌려 제자리에 단단히 고정하십시오.
9. 유리 뚜껑을 부착하십시오. 이제 커피 그라인더를 다시 사용할 준비가 끝났습니다.



KO

재활용



제품 또는 포장에 표시된 이 기호는 이 제품이 가정용 쓰레기로 취급되지 않을 수 있다는 뜻입니다. 제품을 재활용하려면 전기 부품을 전문적으로 안전하게 분리하고 재활용 가능한 공식 수거처로 가져다주십시오.

비전기 부품은 분리하여 현지 규정에 따라 재활용하십시오. 포장재는 재활용하십시오.

문제 해결

문제 해결을 위해, 아래 표를 참조하거나 aarke.com/support 방문 또는 QR 코드를 스캔하십시오.



문제	원인	해결책
LED 표시등(H)이 계속 빨간색으로 깜박입니다.	호퍼에 분쇄를 완료할 만큼 충분한 원두가 없습니다.	원두 호퍼를 채우고 버튼을 누르면 Coffee Grinder가 이미 시작된 한 회분의 분쇄를 완료합니다.
시작/정지 버튼을 누르면 LED 표시등(H)이 빨간색으로 세 번 깜박입니다.	컵 다이얼(I)이 두 모드 사이에 있습니다.	컵 다이얼(I)을 모드 위치로 회전하십시오.
시작/정지 버튼을 누르면 LED 표시등(H)이 빨간색으로 세 번 깜박입니다.	자동 분쇄 모드(A)가 선택되었지만 Coffee Maker에 연결되지 않았습니다.	전원 코드가 콘센트에 꽂혀 있고 connection cord(M)가 두 제품에 모두 꽂혀 있는지 확인하십시오.
컵 다이얼(I)이 자동 모드 "A"에 있고 LED 표시등(H)이 빨간색입니다.	Coffee Grinder와 Coffee Maker가 연결되어 있지 않습니다.	connection cord(F)를 확인하십시오.

KO

고객 지원

고객 서비스에 문의할 때, 다음과 같은 정보를 찾아서 준비하십시오. 모델 및 일련번호. 이 정보는 Coffee Grinder 아래쪽의 등급 라벨에서 확인할 수 있습니다. Aarke의 지속적인 제품 개발 정책으로 인해 당사 제품과 설명서에 언급된 제품의 사양, 색상, 세부 사항은 예고 없이 변경될 수 있습니다.

서비스 지원은 aarke.com/support 방문 또는 이메일(support@aarke.com)로 연락해 주십시오.

ZH 使用说明书

Aarke Coffee Grinder

型号 A1340 - 1352

使用前请仔细阅读本说明书, 并妥善保管以备将来参考。

本用户手册中的图形和图示仅用于大致描述产品, 可能与实际产品有所不同。

组件

A 玻璃盖

B 豆仓

C 研磨粒度调节盘

D 出料口

E 咖啡渣杯

F Aarke AutoGrind™ Connector Cord

G 开始/停止按钮

H LED 指示灯

I 杯数调节盘


J 浓度微调器

K 电源线

L 内置藏线槽

M Aarke AutoGrind™ Connector

重要安全提示

- **警告!** 请按照这些说明使用本电器。任何误用都可能引起电击或其他危险。
- **警告!** 如果本电器、电源线或插头损坏, 或者电器无法正常运行, 请勿运行电器, 以免发生危险。使用前请始终检查本电器。
- **警告!** 请勿将电源线、插头或本电器的其他任何部分浸入水或其他液体中, 以避免触电风险。
- **警告!** 在研磨机运行时, 请勿触摸。
- 请勿将适配器与本电器一起使用。
- 使用时, 切勿将研磨机置于无人看管的状态。当儿童使用本电器或者在儿童附近使用本电器时, 必须加以密切监督。请勿在儿童可触及的地方使用。防止儿童拉扯电源线或推倒本电器。
- 本电器必须插入接地插座中, 以防止电击或火灾的风险。
- 本电器设计有在异常运行条件下切断元件电力供应的功能。
- 断开电源时请勿拉扯电源线, 也不要用手湿拔下插头。
- 在将本电器连接到电源之前, 请确保电器底部的铭牌上标示的电压与您家中的电压相符。如果电压不符, 请勿使用本电器。

- 使用未经电器制造商批准的配件可能会引起火灾、电击或人身伤害。
- 身体、感官或心智能力降低或者缺乏经验和知识的人员 (包括 8 岁及以上的儿童) 在得到监督或有关安全使用本电器的指导并理解其中涉及的危险后, 可以使用本电器。清洁和用户维护不应由儿童进行, 除非他们年满 8 岁且处于监督下。请将本电器及其电源线放在 8 岁以下儿童无法触及的地方。
- 儿童不得玩耍本电器。如果儿童在场时本电器正在使用, 请确保他们保持安全距离。防止儿童拉扯电源线或推倒本电器。
- 本电器旨在用于家庭和类似应用, 如: 商店、办公室及其他工作环境中的员工厨房区域; 农舍; 酒店、汽车旅馆和其他住宅型环境中的客户; 住宿早餐型环境。
- 在组装或拆卸组件以及清洁前, 请关闭本电器并拔下电源线。
- 本电器应在监督下操作。
- 请勿拆卸本电器的底部面板。内部没有可由用户维修的部件。维修工作必须由授权人员进行。
- 本研磨机用于研磨咖啡豆。请勿将咖啡豆和研磨机清洁剂以外的任何物质放入咖啡研磨机中。

ZH

- 请勿在存在爆炸和/或易燃气体的环境中操作。
- 使用前检查豆仓内是否存在异物。
- 本研磨机必须在平坦、干燥的表面上运行，远离台面边缘，以防意外倾倒。运行时的振动可能会导致研磨机移动。
- 为了正确使用，请保证每次使用时间不超过90秒，连续两次循环之间至少需要休息90秒。
- 请勿在室外、潮湿区域或冰点以下温度中存放或使用本电器。
- 请勿将本电器放置在可能与任何热源接触的地方，例如在燃气灶或电热灶上方或附近、在加热的烤箱内或微波炉中。
- 使本电器远离水源。
- 运行期间请勿移动本电器。
- 请勿让电源线悬挂在桌子或台面的边缘，也不要让它接触热表面。
- 小心不要使电器跌落或翻倒，因为这可能会损坏电器和/或内部组件。
- 避免液体溅到电源线和/或本电器上。
- 拆开电器包装后，请回收塑料袋和其他包装材料。确保儿童无法触及。

请妥善保管本说明书

运行您的产品

首次使用前

小心地拆开 Aarke Coffee Grinder 的包装，移除所有包装材料。使用温和的洗涤剂清洗豆仓、玻璃盖和咖啡渣杯，并在使用前擦干。将本咖啡研磨机放在平坦、干燥的表面上。将豆仓放在咖啡研磨机顶部并顺时针旋转，直至牢固到位。将电源线连接到接地插座。

使用本产品

1. 用烘焙过的咖啡豆装满豆仓 (B)。确保咖啡豆的量足以满足您所需的研磨咖啡量 (每杯 (125 毫升) 咖啡约需 7.5 克咖啡豆)。将玻璃盖 (A) 放置在豆仓顶部。
2. 在研磨粒度调节盘 (C) 上选择所需的研磨粒度，范围从 1 到 60 (1 = 细, 60 = 粗)。
3. 参照玻璃盖 (A) 上的研磨图表作为指导。有关选择研磨粒度的更多信息，请参阅 <设置研磨粒度> 一章。
4. 在杯数调节盘 (I) 上选择杯数：“2”、“3”、“4”、“5”、“6”、“8”或“10”。
5. 您也可以选择“M”进入手动模式，详情请参阅下文中的 <手动模式>，或者选择“A”进入 AutoGrind™ 模式，此时咖啡研磨机将与 Aarke Coffee Maker 连接。有关更多信息，请参阅 <AutoGrind™> 一章。
6. 将咖啡渣杯 (E) 或您的咖啡机的滤篮放置在出料口 (D) 下方。
7. 按下“开始/停止”按钮 (G)，咖啡研磨机将研磨出与所选杯数相对应的咖啡量。在咖啡研磨机运行时，LED 指示灯 (H) 将闪烁。研磨循环结束后，LED 指示灯 (H) 将熄灭。

请注意：

- 您可以根据个人品味调整研磨粒度以平衡口味。如果您觉得咖啡过苦，请尝试更粗的研磨粒度。如果觉得味道偏酸，请选择更细的研磨粒度。
- 根据咖啡豆的烘焙程度和研磨粒度，研磨出的咖啡量可能会略有不同。如果需要更精确的量，可以使用浓度微调器 (J) 来微调研磨出的咖啡量。

- 咖啡研磨机具有恢复研磨记忆功能。如果在循环结束之前豆仓中的豆子用光，则 LED 指示灯 (H) 将呈红色闪烁。用咖啡豆重新装满豆仓并按“开始/停止”按钮。现在，咖啡研磨机将在已开始批次的剩余时间内完成研磨，并且咖啡研磨机上的 LED 指示灯 (H) 将呈白色闪烁。

设置研磨粒度

在开始研磨前，我们推荐您设置研磨粒度。研磨粒度取决于您想要使用的冲泡方法。使用研磨粒度调节盘 (C) 在 1-60 的范围内设置研磨粒度，具体取决于冲泡方法 (1 = 细，60 = 粗)。玻璃盖 (A) 上的研磨图表显示了适合您的冲泡方法的范围。下表 1 中也给出了推荐的研磨粒度范围。

对于相同的冲泡方法，不同的咖啡豆可能需要不同的研磨粒度。如果您的咖啡味道浓郁且苦涩，请更改为较粗的研磨粒度 (调节盘上更大的数字)。如果咖啡味道过酸，请更改为较细的研磨粒度 (调节盘上更小的数字)。

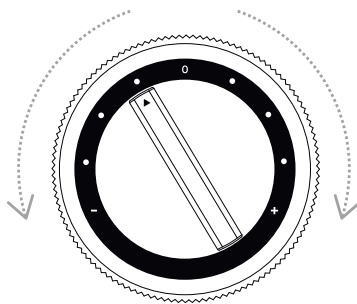
如果您想设置比当前更细的研磨粒度，我们推荐您在研磨粒度调节盘上每调节 5 步就研磨少量咖啡，直至到达更细的研磨粒度。这样可以防止电机锁死。

	冲泡方法	范围
	摩卡	10-20
	爱乐压	15-25
	手冲过滤	20-35
	虹吸	30-35
	滤泡	30-40
	Chemex	40-50
	法式压滤	45-55
	冷萃	50-60

表 1: 推荐研磨粒度。

浓度微调器

如果您希望咖啡更浓或更淡一些，可以使用浓度微调器 (J) 来调节咖啡研磨机，以研磨出比预设置多一点或少一点的咖啡。要增加咖啡量，请将浓度微调器向右旋转，朝向加号“+”。要减少咖啡量，请将其向左旋转，朝向减号“-”。



手动模式

手动模式“M”用于单独称量咖啡豆并将其放入空豆仓进行研磨(单次配量)。在手动模式下启动后,咖啡研磨机将一直运行至豆仓内的所有咖啡豆研磨完毕,然后自动停止。也可以通过按“开始/停止”按钮手动停止咖啡研磨机。

Aarke AutoGrind™

可以通过 Aarke AutoGrind™ Connector Cord 将 Aarke Coffee Grinder 与 Aarke Coffee Maker 连接。这样可让两台电器自动协同工作。根据 Aarke Coffee Maker 水箱中的水量, Aarke Coffee Grinder 将计算并研磨相应量的咖啡。扫描二维码阅读关于 Aarke 咖啡系统的更多信息。



连接电器

- 确保两台电器都已关闭并从插座断开连接。从 Aarke Coffee Grinder 上取下豆仓。从 Aarke Coffee Maker 上取下玻璃壶、水箱盖和滤篮。小心将每台电器侧放在布料或其他柔软材料上,以保护它们免遭刮擦。
- 将 Aarke AutoGrind™ Connector Cord 的一端插入 Aarke AutoGrind™ Connector Cord 下方的连接线插座 (M), 另一端插入 Aarke Coffee Maker 下方的连接线插座。
- 将两个产品竖直放在平坦、干燥的表面上。将每根电源线插入接地插座中。

使用 Aarke AutoGrind™

1. 将盖上盖子的玻璃壶放在咖啡机的热板上。确保玻璃壶干净。
2. 用干净的冷水装满咖啡机的水箱。咖啡机的水箱 LED 将会亮起。
3. 在滤篮中放入一张 1x4 标准滤纸。将滤篮放置在咖啡研磨机的出料口下方。
4. 用烘焙过的咖啡豆装满豆仓 (B)。确保咖啡豆的量足以满足您所需的研磨咖啡量(每杯 125 毫升约需 7.5 克咖啡)。将玻璃盖 (A) 放置在豆仓顶部。
5. 在研磨粒度调节盘上选择首选研磨粒度。参照玻璃盖 (A) 上的研磨图表作为指导。有关选择研磨粒度的更多信息, 请参阅 <设置研磨粒度> 一章。
6. 在杯数调节盘 (I) 上选择 AutoGrind™ 模式“**A**”。咖啡研磨机上的 LED 指示灯 (H) 将呈白色亮起。如果 LED 指示灯 (H) 变为红色, 则表示连接存在问题。请重复 <连接电器> 中的步骤。
7. 按下“开始/停止”按钮 (G), 咖啡研磨机将研磨出与咖啡机水箱中的水量相对应的咖啡量。在咖啡研磨机运行时, LED 指示灯 (H) 将闪烁。研磨循环结束后, LED 指示灯 (H) 将熄灭。
8. 将装有现磨咖啡的滤篮放置在咖啡机上。
9. 按下电源按钮启动咖啡机。咖啡机上的 LED 指示灯将亮起, 冲泡循环开始。
10. 咖啡准备好后, 水位窗的 LED 指示灯将熄灭。

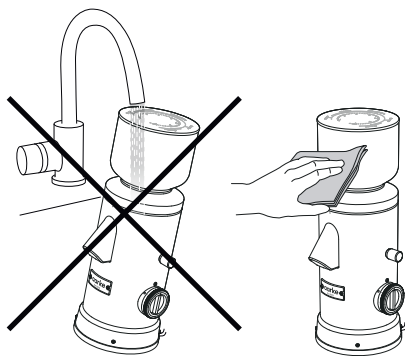
请注意:

- 浓度微调器同样适用于 AutoGrind™ 模式。

清洁和维护

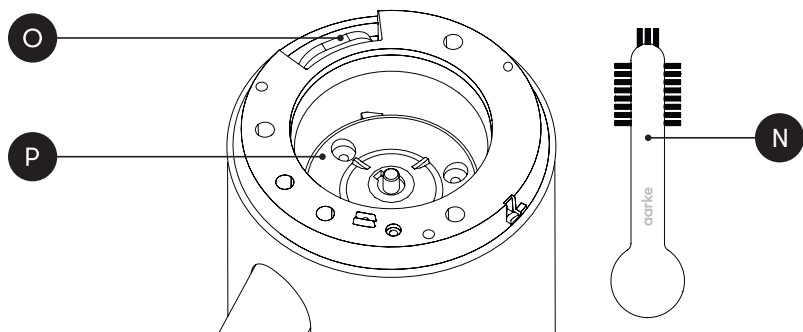
适当的清洁和护理将确保本电器可以使用多年。每次使用后都要清洁。

- 清洁咖啡研磨机前，请始终先拔掉电源插头，并确保所有部件停止运动。
- 清洁时切勿将本电器浸入水中。
- 使用柔软的湿布清洁本电器的外部。请勿使用刺激性清洁产品、钢丝棉垫或其他研磨性材料清洁本电器。
- 使用温和的洗涤剂清洗豆仓，并彻底冲洗干净。
- 玻璃盖和咖啡渣杯可以放在洗碗机中清洗。
- 每 3 个月或更频繁地清洁研磨机磨盘。
- 更换咖啡豆时，确保先清空咖啡研磨机内可能剩余的咖啡渣，然后再将新咖啡豆加入豆仓。首先，清空豆仓。将豆仓放回咖啡研磨机上，将杯数调节盘 (I) 旋至“M”，并运行咖啡研磨机，直至其自动停止。重复一次。



清理毛刺

1. 确保咖啡研磨机放在平坦、干燥的表面上。
2. 逆时针旋转豆仓使其解锁，然后将其从咖啡研磨机上取下。
3. 逆时针旋转研磨粒度调节盘 (C)，直到它可被取下。
4. 将清洁刷 (N) 从配件仓 (O) 中取出。
5. 用清洁刷小心地刷洗平刀磨盘 (P)，确保表面干净。
6. 将清洁刷放回咖啡研磨机的盒子中。
7. 将研磨粒度调节盘一直旋转至停止来更换该调节盘，然后将其旋回到所需设置。
8. 将豆仓放在咖啡研磨机上并顺时针旋转，直至牢固到位。
9. 盖上玻璃盖。咖啡研磨机现在可以再次使用了。



回收



本产品或其包装上印有此符号,表明不得将其作为生活垃圾处理。要回收您的产品,请将其带到官方收集点,以便以安全和专业的方式拆卸和回收电器组件。将非电气部件分离并根据当地法规回收。

回收包装。

故障排查

如需进行故障排查,请参见下表、访问 aarke.com/support 或扫描二维码。



问题	原因	解决方案
LED 指示灯 (H) 持续呈红色闪烁。	豆仓中没有足够的咖啡豆来完成研磨。	装满豆仓并按下按钮,咖啡研磨机将完成已开始批次的研磨。
按下“开始/停止”按钮后,LED 指示灯 (H) 闪烁三次红色。	杯数调节盘 (I) 处于两种模式之间的位置。	将杯数调节盘 (I) 旋转到模式位置。
按下“开始/停止”按钮后,LED 指示灯 (H) 闪烁三次红色。	已选择自动研磨模式 (A),但没有连接到咖啡机。	检查电源线是否插入插座以及连接线 (M) 是否已插入两台电器。
杯数调节盘 (I) 处于自动模式“ A ”,LED 指示灯 (H) 呈红色。	咖啡研磨机与咖啡机之间没有连接。	检查连接线 (F)。

客户支持

联系客服时,请确保提供以下信息:型号和序列号。可以在咖啡研磨机底部的铭牌上找到这些信息。

由于 Aarke 的持续产品开发政策,我们产品的规格、颜色和细节以及本手册中提到的内容可能会有所变化,恕不另行通知。

ZH

如需支持,请访问 aarke.com/support 或发送电子邮件至 support@aarke.com。

AR دليل التعليمات

Aarke Coffee Grinder

موديل 1352 - A1340

اقرأ دليل التعليمات هذا بعناية قبل الاستخدام. يرجى الاحتفاظ به للرجوع إليه في المستقبل.

إن الغرض من الرسومات والمخططات الموجودة في دليل المستخدم هذا هو تقديم وصف عام للمنتج، وقد تختلف عن المنتج نفسه.

المكونات

غطاء زجاجي	A
وعاء الحبوب	B
قرص درجة الطحن	C
أنبوب القهوة المطحونة	D
كوب القهوة المطحونة	E
زر البدء/الإيقاف	G
مؤشر LED	H
قرص الاكواب	I
ضابطين التركيز	J
سلك كهرباء	K
مساحة تخزين داخلية لسلك الكهرباء	L
Aarke AutoGrind™ Connector	M

- استخدام ملحقات غير معتمدة من جانب الشركة المصنعة للجهاز قد يؤدي إلى نشوب حريق أو التعرض لصدمة كهربائية أو إصابة.
- يمكن للأشخاص ذوي القدرات البدنية أو الحسية أو العقلية المنخفضة أو الذين يفتقرون إلى الخبرة والمعرفة (بما في ذلك الأطفال الذين تتراوح أعمارهم بين 8 سنوات فما فوق) استخدام هذا الجهاز بشرط أن يتم الإشراف عليهم أو أن يتلقوا تعليمات استخدام الجهاز بطريقة آمنة وأن يكونوا على دراية بمخاطر استخدام الجهاز. لا يجب تنظيف الجهاز وصيانتها من جانب الأطفال إلا إذا كان عمرهم أكبر من 8 سنوات مع الإشراف عليهم. يرجى إبقاء الجهاز وسلك الكهرباء بعيدًا عن متناول الأطفال الذين تقل أعمارهم عن 8 سنوات.
- يجب ألا يعيث الأطفال بالجهاز. في حال وجود أطفال في أثناء استخدام الجهاز، يرجى الحرص على بقائهم على بُعد مسافة آمنة. احرص على منع الأطفال من سحب سلك الكهرباء أو إسقاط الجهاز.
- صُمم هذا الجهاز للاستخدام المنزلي والاستخدامات المماثلة، على سبيل المثال، مطابخ الموظفين في المتاجر والمكاتب وبيئات العمل الأخرى والمنزل الزراعية، إضافة إلى إمكانية استخدامه من جانب العملاء في الفنادق والنزل وغيرها من البيئات السكنية، وأماكن المبيت والإفطار.
- أوقف تشغيل الجهاز وافصل سلك الكهرباء من المقيس قبل تجميع المكونات أو تفكيكها وقبل التنظيف.
- يجب استخدام هذا الجهاز تحت الإشراف.

إجراءات وقائية مهمة

- **تحذير!** اتبع هذه التعليمات عند استخدام الجهاز. قد يؤدي سوء الاستخدام إلى التعرض لصدمة كهربائية أو غيرها من المخاطر.
- **تحذير!** لا تشغل الجهاز إذا كان تالفاً أو إذا كان سلك الكهرباء أو القابس تالفاً أو إذا كان الجهاز لا يعمل بشكل صحيح لتجنب المخاطر. يرجى التحقق من حالة الجهاز دائماً قبل الاستخدام.
- **تحذير!** تجنّب غمر سلك الكهرباء أو القابس أو أي جزء آخر من الجهاز في المياه أو السوائل الأخرى لتجنب خطر التعرض لصدمة كهربائية.
- **تحذير!** تجنّب لمس المطحنة في أثناء تشغيلها.
- تجنّب استخدام محوّل مع هذا الجهاز.
- تجنّب ترك الجهاز دون مراقبة في أثناء التشغيل. يلزم الإشراف الدقيق عند استخدام الأطفال للجهاز أو عند استخدامه بالقرب منهم. تجنّب استخدام الجهاز بالقرب من الأطفال. احرص على منع الأطفال من سحب سلك الكهرباء أو إسقاط الجهاز.
- يجب توصيل هذا الجهاز بمقبس مؤرض للحماية من خطر التعرض لصدمة كهربائية أو حدوث حريق.
- صُمم الجهاز على نحو يمكّنه من فصل مصدر التيار الكهربائي المباشر عن العنصر في أثناء ظروف التشغيل غير الطبيعية.
- تجنّب سحب الكابل لفصله عن الكهرباء وتجنّب أيضاً فصله عن الكهرباء بيد مبتلة.
- قبل توصيل الجهاز بمصدر الكهرباء، تأكد من أن الجهد الكهربائي المشار إليه في لوحة التصنيف الموجودة على الجانب السفلي من الجهاز يتوافق مع الجهد الكهربائي في منزلك. إذا لم يكن كذلك، فلا تستخدم الجهاز.

- تجنّب إزالة اللوحة السفلية للجهاز. لا توجد أجزاء يمكن للمستخدم إصلاحها أو استبدالها بالداخل. لا يجب إجراء الإصلاحات إلا من جانب موظفين معتمدين.
- إن المطحنة مخصصة لطحن حبوب القهوة. تجنّب وضع أي مواد أخرى غير حبوب القهوة ومظف المطحنة داخل مطحنة القهوة.
- تجنّب تشغيل الجهاز في وجود أبخرة متفجرة و/أو قابلة للاشتعال.
- افحص وعاء الحبوب بحثًا عن أي مواد غريبة قبل الاستخدام.
- قم بتشغيل المطحنة على سطح مستو جاف بعيدًا عن حافة المنضدة لتجنب سقوطها عن طريق الخطأ. قد يؤدي الاهتزاز في أثناء التشغيل إلى تحرك المطحنة.
- من أجل ضمان الاستخدام الأمثل لهذا الجهاز، قم بتشغيله لمدة نقل عن 90 ثانية في المرة الواحدة وراحته لمدة لا تقل عن 90 ثانية بين دورتين متواصلتين.
- تجنّب الاحتفاظ بهذا الجهاز أو استخدامه في الأماكن المفتوحة، سواء في المناطق الرطبة أو في ظروف بدرجات حرارة شديدة البرودة.
- تجنّب وضع الجهاز في مكان حيث قد يتلامس فيه مع أي مصدر حرارة، على سبيل المثال، بالقرب من موقد غاز أو موقد كهربائي أو داخل فرن ساخن أو داخل ميكروويف.

احتفظ بهذه التعليمات

تشغيل المنتج

قبل الاستخدام الأول

أخرج مطحنة Aarke Coffee Grinder من العبوة برفق وقم بإزالة أي مواد تغليف. اغسل وعاء الحبوب والغطاء الزجاجي وكوب القهوة المطحونة باستخدام منظف خفيف ثم جففها جيدًا قبل الاستخدام. ضع مطحنة القهوة على سطح مستو جاف. ضع وعاء الحبوب أعلى مطحنة القهوة وقم بتدويره في اتجاه عقارب الساعة حتى يثبت في مكانه بأمان. وصل سلك الكهرباء بمقبس مؤرض.

استخدام المنتج

1. املا وعاء الحبوب (B) بحبوب القهوة المحمصة الكاملة. تأكد من أن لديك ما يكفي من حبوب القهوة بما يناسب كمية القهوة المطحونة التي تريدها (7.5 جم من القهوة لكل كوب 125 مل). ضع الغطاء الزجاجي (A) أعلى وعاء الحبوب.
2. اختر درجة الطحن المناسبة بين 1 و 60 من خلال قرص درجة الطحن (C) (1 = طحن ناعم، 60 = طحن خشن).
3. استخدم مخطط الطحن على الغطاء الزجاجي (A) للاسترشاد به. لمعرفة المزيد من المعلومات حول اختيار درجة الطحن، راجع الفصل <تحديد درجة الطحن>.
4. حدد عدد الأكوام "2" أو "3" أو "4" أو "5" أو "6" أو "8" أو "10" من خلال قرص الأكوام (I).
5. يمكنك أيضًا اختيار "M" للوضع اليدوي، راجع الفصل <الوضع اليدوي> أدناه، أو اختيار "A" لوضع AutoGrind™ حيث يتم توصيل مطحنة القهوة بماكينته Aarke Coffee Maker. راجع الفصل <AutoGrind™> أدناه لمعرفة المزيد من المعلومات.
6. ضع كوب القهوة المطحونة (E) أو سلة الترشيح لماكينته صنع القهوة أسفل أنبوب القهوة المطحونة (D).
7. اضغط على زر البدء/الإيقاف (G) وستبدأ مطحنة القهوة بطحن كمية قهوة تتوافق مع عدد الأكوام التي حددتها. سيومض مؤشر LED (H) في أثناء تشغيل مطحنة القهوة. سينطفئ مؤشر LED (H) عند انتهاء دورة الطحن.

ملاحظة مهمة:

- يمكنك ضبط درجة الطحن لموازنة النكهة حسب ذوقك الشخصي. إذا وجدت أن مذاق القهوة مرًا للغاية، فجرّب درجة طحن أكثر خشونة. إذا كان مذاقها حمضيًا للغاية، فجرّب درجة طحن أكثر نعومة.
- قد تختلف كمية القهوة المطحونة المقدمة قليلًا حسب مستوى تمييز الحبة ودرجة الطحن. إذا كنت ترغب في المزيد من الدقة، يمكن استخدام ضابط التركيز (J) لضبط كمية القهوة المقدمة.
- تأتي مطحنة القهوة بميزة ذاكرة استئناف الطحن. سيومض مؤشر (H) باللون الأحمر إذا نفذت الحبوب الموجودة في وعاء الحبوب قبل اكتمال دورة الطحن. أعد ملء وعاء الحبوب بالحبوب واضغط على زر البدء/الإيقاف. ستقوم مطحنة القهوة الآن بإكمال عملية الطحن للوقت المتبقي للكمية التي بدأ طحنها بالفعل، وسيومض مؤشر (H) LED الموجود في مطحنة القهوة باللون الأبيض.

تحديد درجة الطحن

يُبلد الطحن، نوصي بأن تحدد درجة الطحن. تعتمد درجة الطحن على طريقة التحضير التي تريد استخدامها. استخدم قرص درجة الطحن (C) لتحديد درجة الطحن ما بين نطاق 1 إلى 60 حسب طريقة التحضير (1 = طحن ناعم، 60 = طحن خشن). سيرض مخطط الطحن على الغطاء الزجاجي (A) النطاق المناسب لطريقة التحضير المختارة. يعرض الجدول 1 أدناه أيضًا نطاق درجة الطحن الموصى به.

قد تتطلب حبوب القهوة المختلفة درجة طحن مختلفة لنفس طريقة التحضير. إذا كان مذاق القهوة لاذعًا ومرًا، فجرّب التغيير إلى درجة طحن أكثر خشونة (من خلال تحديد رقم أعلى على القرص). إذا كان مذاق القهوة حامضًا للغاية، فجرّب التغيير إلى درجة طحن أكثر نعومة (من خلال تحديد رقم أقل على القرص).

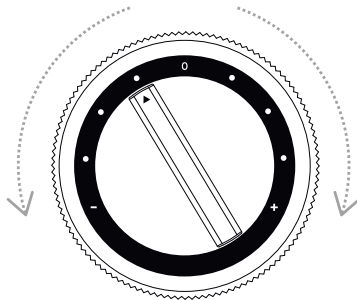
إذا كنت ترغب في تحديد درجة طحن أكثر نعومة، فنحن نوصي بطحن كمية صغيرة كل خمس خطوات على قرص درجة الطحن حتى تصل إلى إعداد درجة الطحن التي هي أكثر نعومة. هذا سيمنع المحرك من التعطل.

النطاق	طريقة التحضير	
10-20	موكا	
15-25	Aeropress	
20-35	تصفية يدوية	
30-35	Sifon	
30-40	تحضير بالتصفية	
40-50	Chemex	
45-55	فرنش بريس	
50-60	قهوة باردة	

الجدول 1: درجة الطحن الموصى بها.

ضابط التركيز

إذا كنت تفضل أن يكون تركيز القهوة أقوى أو أضعف قليلًا، فاستخدم ضابط التركيز (J) لضبط مطحنة القهوة لطحن كمية قهوة أكثر أو أقل من الكمية المحددة سلفًا. لزيادة كمية القهوة، قم بتدوير ضابط التركيز إلى اليمين باتجاه علامة الزائد "+". لتقليل كمية القهوة، قم بتدويره إلى اليسار باتجاه علامة السالب "-".



الوضع اليدوي

استخدم الوضع اليدوي "M" عندما ترغب في وزن الحبوب بشكل منفصل ووضعها في الوعاء الفارغ لطحنها (جرعة واحدة). عند تشغيل مطحنة القهوة وضبطها على الوضع اليدوي، ستنزل تعمل حتى يتم طحن جميع الحبوب الموجودة في وعاء الحبوب وبعدها ستتوقف عن العمل تلقائيًا. يمكن أيضًا إيقاف مطحنة القهوة يدويًا من خلال الضغط على زر البدء/الإيقاف.

Aarke AutoGrind™



يمكن توصيل مطحنة Aarke Coffee Grinder بماكينة Aarke Coffee Maker من خلال سلك Aarke AutoGrind™ Connector Cord. هذا يسمح للجهازين بالعمل معًا تلقائيًا. بناءً على كمية المياه الموجودة في خزان مياه ماكينة Aarke Coffee Maker، ستعمل مطحنة Aarke Coffee Grinder على حساب الكمية المناسبة من القهوة وطحنها. امسح رمز الاستجابة السريعة ضوئيًا لقراءة المزيد عن المعلومات حول Aarke Coffee System™.

توصيل الجهازين

- تأكد من إيقاف تشغيل كلا الجهازين وفصلهما عن المقابس الكهربائية. قم بإزالة وعاء حبوب القهوة من مطحنة Aarke Coffee Grinder. قم بإزالة القنينة الزجاجية وغطاء خزان المياه وسلة الترشيح من ماكينة Aarke Coffee Maker. ضع كل جهاز بعناية في وضعية جانبية على قطعة قماش أو أي مادة ناعمة أخرى للحماية من الخدش.
- قم بتوصيل أحد طرفي سلك Aarke AutoGrind™ Connector Cord بمقياس Connector Cord (M) أسفل مطحنة Aarke Coffee Grinder والطرف الآخر بمقياس Connector Cord أسفل ماكينة Aarke Coffee Maker.
- ضع كلا المنتجين في وضع مستقيم على سطح مستوي جاف. قم بتوصيل كل سلك كهرياء بمقياس مؤرض.

استخدام Aarke AutoGrind™

1. ضع القنينة الزجاجية بغطائها على لوح التسخين لماكينة صنع القهوة. تأكد من نظافة القنينة الزجاجية.
2. املاً خزان مياه ماكينة صنع القهوة بمياه باردة نظيفة. سيضيء مؤشر LED لخزان المياه في ماكينة صنع القهوة.
3. ضع مرشحًا قياسيًا 4x1 في سلة الترشيح. ضع سلة الترشيح أسفل أنبوب القهوة المطحونة لمطحنة القهوة.
4. املاً وعاء الحبوب (B) بحبوب القهوة المحمص الكاملة. تأكد من وجود ما يكفي من حبوب القهوة بما يناسب كمية القهوة المطحونة التي تريدها (~7.5 جم من القهوة لكل كوب 125 مل). ضع الغطاء الزجاجي (A) أعلى وعاء الحبوب.
5. حدد درجة الطحن المفضلة من قرص درجة الطحن. استخدم مخطط الطحن على الغطاء الزجاجي (A) للاسترشاد به. لمعرفة المزيد من المعلومات حول اختيار درجة الطحن، راجع الفصل <تحديد درجة الطحن>.
6. حدد وضع "A" AutoGrind™ من قرص الأكواب (I). سيضيء مؤشر (H) LED على مطحنة القهوة باللون الأبيض. إذا تغير لون مؤشر (H) LED إلى اللون الأحمر، فهذا معناه أن ثمة خطأ ما في الاتصال. يرجى تكرار الخطوات المذكورة في <توصيل الجهازين>.
7. اضغط على زر البدء/الإيقاف (G) وستبدأ مطحنة القهوة بطحن كمية القهوة التي تناسب كمية المياه الموجودة في خزان مياه ماكينة صنع القهوة. سيومض مؤشر (H) LED في أثناء تشغيل مطحنة القهوة. سينطفئ مؤشر (H) LED عند انتهاء دورة الطحن.
8. ضع سلة الترشيح التي تحتوي على القهوة المطحونة الطازجة في المكان المناسب على ماكينة صنع القهوة.
9. اضغط على زر الطاقة لبدء تشغيل ماكينة صنع القهوة. سيومض مؤشر LED الموجود على ماكينة صنع القهوة وستبدأ دورة التحضير.
10. عندما تكون القهوة جاهزة، سينطفئ مؤشر LED الموجود في نافذة مستوى الماء.

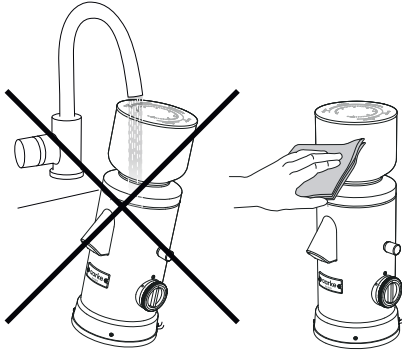
ملاحظة مهمة:

- يعمل ضابط التركيز في وضع AutoGrind™ أيضًا.

التنظيف والصيانة

سيضمن التنظيف والعناية المناسبان لهذا الجهاز سنوات طويلة من الاستخدام. نظّف الجهاز بعد كل مرة استخدام.

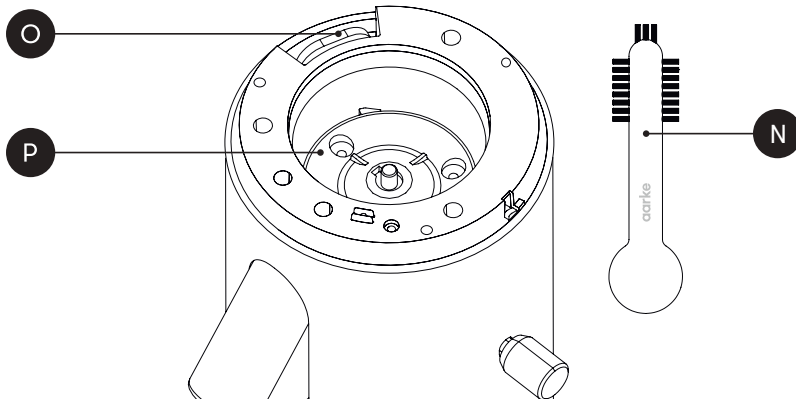
- احرص دائماً على فصل مطحنة القهوة عن الكهرباء وضمان توقف جميع المكونات عن الحركة قبل تنظيفها.
- تجنّب عمر الجهاز في الماء عند تنظيفه.



- استخدم قطعة قماش ناعمة ورطبة لتنظيف الطبقة الخارجية للجهاز.
- تجنّب تنظيف الجهاز باستخدام منتجات تنظيف قوية التأثير أو قطع الصوف الفولاذي أو غيرها من المواد الكاشطة.
- اغسل وعاء الحبوب باستخدام منظف خفيف وتأكد من شطفه جيّداً.
- يمكن غسل الغطاء الزجاجي وكوب القهوة المطحونة بأمان باستخدام غسالة الأطباق.
- نظّف حواف المطحنة كل ثلاثة أشهر أو أكثر.
- عند تغيير حبوب القهوة، تخلص من أي بقايا قهوة داخل مطحنة القهوة قبل إضافة حبوب جديدة إلى وعاء الحبوب. أولاً، قم بإفراغ وعاء الحبوب. ضع وعاء الحبوب مرة أخرى على مطحنة القهوة وقم بتدوير قرص الأكواب (I) لضبطه على "M" ثم شغل مطحنة القهوة حتى تتوقف تلقائياً. كرر العملية مرة واحدة.

تنظيف الحواف

1. تأكد من وضع مطحنة القهوة على سطح مستو جاف.
2. افتح وعاء الحبوب عن طريق تدويره عكس اتجاه عقارب الساعة وقم بإزالته من مطحنة القهوة.
3. قم بتدوير قرص درجة الطحن (C) عكس اتجاه عقارب الساعة حتى يصبح من الممكن إزالته.
4. أخرج فرشاة التنظيف (N) من حجرة التخزين المخصصة لها (O).
5. نظّف الحواف المسطحة (P) بعناية باستخدام فرشاة التنظيف واحرص على نظافة الأسطح.
6. أعد فرشاة التنظيف إلى علبتها في مطحنة القهوة.
7. اضبط قرص درجة الطحن عن طريق تدويره بالكامل حتى يتوقف، ثم أعدّه مرة أخرى لضبطه على الإعداد المطلوب.
8. ضع وعاء الحبوب على مطحنة القهوة وقم بتدويره في اتجاه عقارب الساعة حتى يثبت في مكانه بأمان.
9. ضع الغطاء الزجاجي. أصبحت مطحنة القهوة جاهزة الآن للاستخدام مجدداً.



AR

إعادة التدوير

يشير هذا الرمز الموجود على المنتج أو على عبوته إلى أنه لا يجب التعامل مع المنتج على أنه نفايات منزلية. لإعادة تدوير المنتج، يرجى أخذه إلى نقطة جمع رسمية يمكن من خلالها إزالة المكونات الكهربائية وإعادة تدويرها بأمان واحترافية. افصل الأجزاء غير الكهربائية وأعد تدويرها وفقاً للوائح المحلية. أعد تدوير مواد التعبئة.



استكشاف الأخطاء وإصلاحها

لاستكشاف الأخطاء وإصلاحها، يرجى الاطلاع على الجدول أدناه أو زيارة aarke.com/support أو مسح رمز الاستجابة السريعة ضوئياً.

المشكلة	السبب	الحل
يوميض مؤشر (H) LED باللون الأحمر بشكل مستمر.	لا توجد كمية كافية من الحبوب في الوعاء لإكمال عملية الطحن.	املا وعاء الحبوب واضغط على الزر وستنتهي مطحنة القهوة من طحن كمية الحبوب التي بدأ طحنها بالفعل.
عند الضغط على زر البدء/الإيقاف، يوميض مؤشر (H) LED باللون الأحمر ثلاث مرات.	قرص الأكواب (I) غير مضبوط على وضع محدد.	قم بتدوير قرص الأكواب (I) لضبطه على وضع واحد.
عند الضغط على زر البدء/الإيقاف، يوميض مؤشر (H) LED باللون الأحمر ثلاث مرات.	تم تحديد وضع الطحن التلقائي (A) لكن لا يوجد اتصال بماكينة صنع القهوة.	تحقق من أن أسلاك الكهرباء موصلة بمقيس وأن سلك التوصيل (M) موصل بالجهازين.
قرص الأكواب (I) مضبوط على الوضع التلقائي "A" ويضيء مؤشر (H) LED باللون الأحمر.	لا يوجد اتصال بين مطحنة القهوة وماكينة صنع القهوة.	تحقق من سلك التوصيل (F).

دعم العملاء

عند التواصل مع فريق دعم العملاء، تأكد من توفر المعلومات التالية: الموديل والرقم التسلسلي. يمكن العثور على هذه المعلومات على ملصق التصنيف الموجود في الجانب السفلي من مطحنة Coffee Grinder. طبقاً لسياسة Aarke الخاصة بالتطوير المستمر للمنتجات، قد تتغير المواصفات والألوان والتفاصيل الخاصة بمنتجاتنا وتلك المذكورة في هذا الدليل دون سابق إشعار.

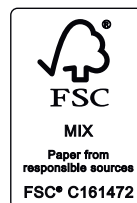
للحصول على الدعم، يرجى زيارة موقع aarke.com/support أو إرسال بريد إلكتروني إلى support@aarke.com.

aarke.com

Aarke AB
Hälsingegatan 49
113 31 Stockholm, Sweden

—
aarke.com/support
aarke.com

Represented in the UK by:
IQS Ltd, Enterprise House, Wrest Park
Silsoe, Bedfordshire, MK45 4HR



UMC/LA/WW/240604/A