



INSTRUCTION MANUAL
for Ceramic Glass
Electric Cooktop Models

CR1115
CR2110
CR2220
CR3240

*Please read these instructions in their entirety before
installation and use of your cooktop.*

SAVE THIS MANUAL FOR FUTURE REFERENCE.

Felix Storch, Inc.
Summit Appliance Division
770 Garrison Avenue
Bronx, NY 10474
www.summitappliance.com

Table of Contents

Product Specifications	2
Installation Instructions for Ceramic Glass Cooktops	3 - 10
Step #1: Unpacking the Cooktop	3
Step #2: Check the Electrical Supply Requirements	4
Step #3: Countertop Preparation	5 - 7
Summary of Cutout Dimensions	7
Step #4: Installing the Cooktop	8 - 9
Step #5: Electrical Connection	10
Step #6: Final Preparations Prior to Use	10
Safety Instructions.....	11 - 12
Operation.....	13 - 14
Cookware.....	13
Heating Elements.....	13
Controls & Indicators.....	14
Cleaning.....	14
Warranty	15



Product Specifications

Single Burner

CR1115: 120V AC – one 6" (140 mm) burner @ 1200 watts

Overall dimensions: $11\frac{7}{8}"W \times 12\frac{5}{8}"D \times 3\frac{3}{8}"H$
(302 mm x 321 mm x 85,7 mm)

Cutout dimensions: $11\frac{1}{8}"W \times 11\frac{7}{8}"D$
(282 mm x 302 mm)

Double Burner

CR2110: 120V AC – two 6" (140 mm) burners @ 1200 watts each

CR2220: 220V AC – two 6" (140 mm) burners @ 1200 watts each

Overall dimensions: $11\frac{7}{8}"W \times 19\frac{3}{4}"D \times 3\frac{3}{8}"H$
(302 mm x 502 mm x 85,7 mm)

Cutout dimensions: $11\frac{1}{8}"W \times 19\frac{1}{8}"D$
(282 mm x 486 mm)

Triple Burner

CR3240: 220V AC - three 6" (140 mm) burners @1200 watts each

Overall dimensions: $20\frac{5}{8}"W \times 19\frac{1}{8}"D \times 3\frac{3}{8}"H$
(524 mm x 486 mm x 85,7 mm)

Cutout dimensions: $19\frac{7}{8}"W \times 18\frac{3}{8}"D$
(505 mm x 467 mm)

Installation Instructions for Ceramic Glass Cooktops



IMPORTANT

Save this documentation for review by local inspector.
This appliance must be properly installed and grounded by a qualified technician.

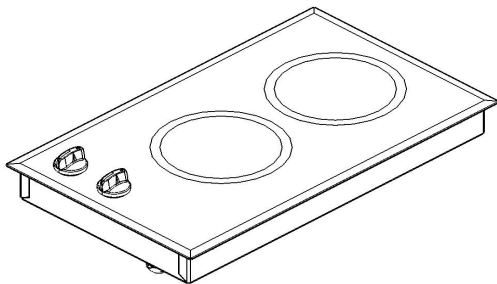
Step #1

Unpacking the Cooktop

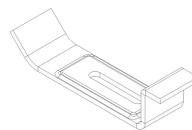
Carefully unpack the cooktop from its shipping container. If possible, retain the original shipping carton and protective packaging in the event the unit ever has to be returned for service.

Verify and identify the package contents. The following items should be included in the carton. If any components are missing or damaged, call SUMMIT immediately.

- Ceramic glass cooktop
- Mounting brackets (2 pcs. for Single and Double Burners – 4 pcs. for Triple Burners)
- Mounting screws (2 pcs. for Single and Double Burners – 4 pcs. for Triple Burners)



Ceramic glass cooktop



Mounting brackets



Mounting screws

Fig. 1

For future reference, please record the serial number of your cooktop here:

Step #2

Check the Electrical Supply Requirements

This product must be installed in accordance with national, state and local electric codes. The following table provides the correct voltage, amperage and frequency that must be supplied to the cooktop.

SUMMIT Model #	Maximum Connected Load	Required Power Supply Input	Minimum Wire Size
CR 1115	1200 Watts	120V AC/10A/60Hz	#16 AWG
CR 2110	2400 Watts	120V AC/20A/60Hz	#16 AWG
CR 2220	2400 Watts	220V AC/10A/60Hz	#16 AWG
CR 3240	3600 Watts	220V AC/15A/60Hz	#16 AWG

The supply must be from an individual grounded circuit that is protected by a circuit breaker and rated per the specifications for the various models as shown in the table above.



WARNING: INSTALLATIONS MUST COMPLY WITH ALL LOCAL, STATE AND NATIONAL ELECTRICAL CODES.

Failure to comply with the applicable codes may result in fire, property damage, personal injury or death.

If the electric power supply does not meet the product specifications, consult with a licensed electrician before proceeding with installation.

Step #3

Countertop Preparation

Please read this section prior to making cutout for the cooktop.

It is important to plan ahead for installation of the cooktop, keeping the following dimensions in mind (please refer to Fig. 2).

- A. 13 inches maximum depth of overhead cabinets
- B. 36 inches is minimum height of countertop above floor
- C. The minimum flat countertop surface that the cooktop will rest upon must be equal to or greater than the overall cooktop dimensions (refer to the following pages for overall cooktop dimensions).
- D. 30 inches minimum clearance between the top of the cooking surface and the bottom of an unprotected wood or metal cabinet or 24 inch minimum clearance when the bottom of wood or metal cabinet is protected by not less than ¼-inch-thick flame retardant millboard covered with not less than No. 28 MSG sheet steel, 0.015-inch-thick stainless steel, 0.024-inch-thick aluminum or 0.020-inch-thick copper.
- E. 1-inch minimum from backsplash of countertop to edge of glass (refer to the following pages for overall cooktop dimensions).

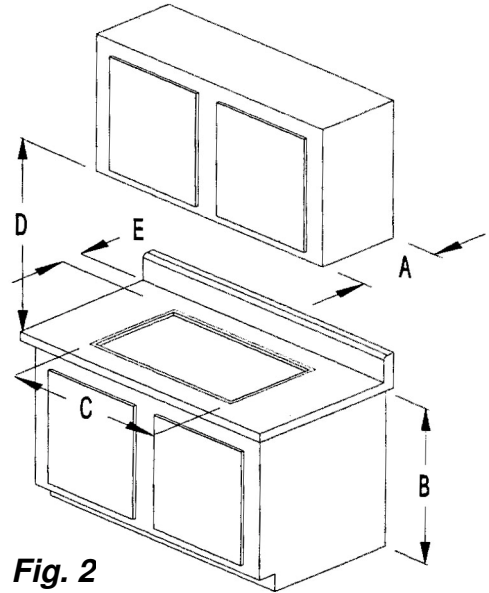


Fig. 2

Do not install closer than ½ inch (12 mm) from any adjacent surface!



WARNING: To eliminate the risk of burns by reaching over heated surface units, cabinet storage space located above surface units should be avoided. If cabinet storage is necessary, the risk can be reduced by installing a range hood that projects horizontally a minimum of 5” beyond the bottom of the cabinets.

Before making the countertop cutout, check for clearance. Check to see if the cooktop will clear the front and side walls of the base cabinet. It is also important to provide enough ventilation.

Adequate ventilation of the space below the countertop must be provided to ensure proper operation of the cooktop. Heat transferred from the cooktop bottom pan during operation will overheat an improperly ventilated area.

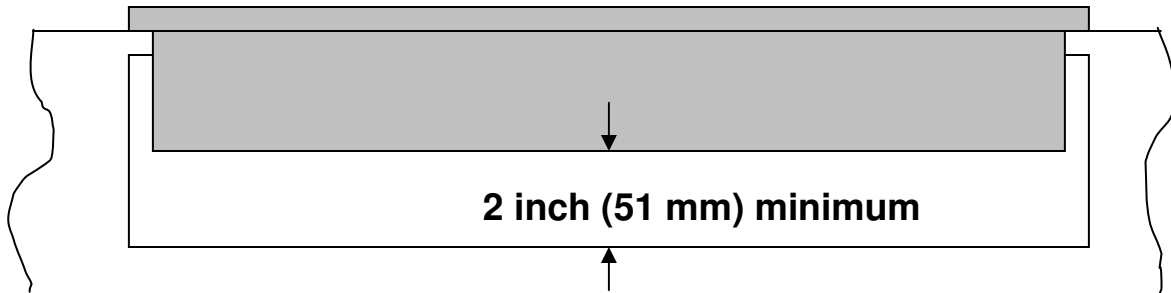


Fig. 3

Allow a 2" minimum clearance between the bottom of the metal pan of the cooktop and any combustible surface located below, i.e.: the upper edge of a drawer installed below the cooktop (refer to Fig. 3). Failure to provide proper clearances and ventilation may result in a fire hazard.

Cooktop dimensions for each model are shown below and on the following page:

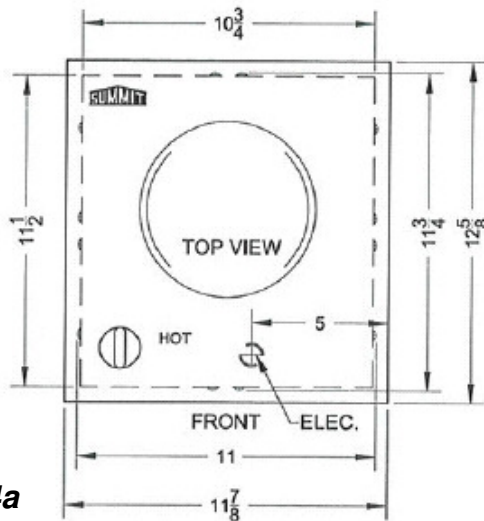


Fig. 4a

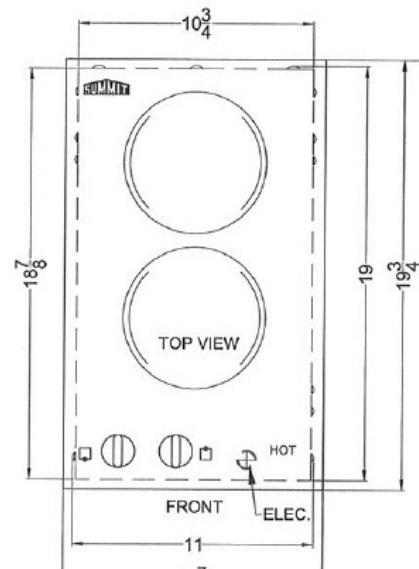
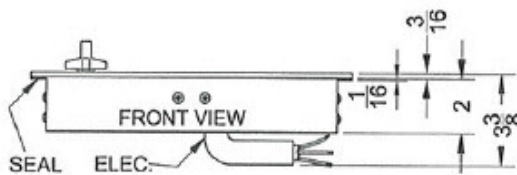
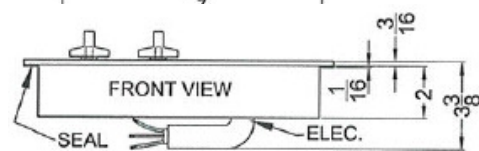


Fig. 4b



Model: CR1115



Models: CR2110, CR2220



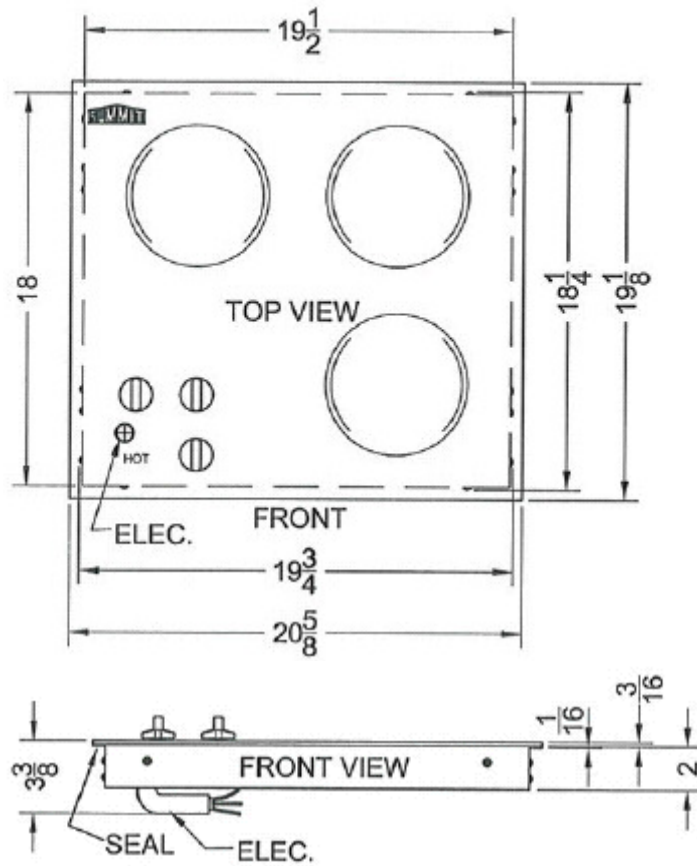


Fig. 4c

Model: CR3240

Summary of Cutout Dimensions		
Model	Width	Depth
CR1115	11 1/8"	11 7/8"
CR2110, CR2220	11 1/8"	19 1/8"
CR3240	19 7/8"	18 3/8"

NOTE: When making the countertop, **radius** the corner of the cutout (1/4" radius is typical). This will prevent cracking of the countertop. Follow manufacturer's instructions regarding minimum corner radius and reinforcement of corners.

Step #4

Installing the Cooktop

1. Strips of foam sealant have already been installed around the outer edge of the underside of the cooktop. This special sealant prevents liquid from infiltrating into the cabinet. Additionally, the mounted sealant helps prevent damage to the countertop if the cooktop should ever need to be removed for servicing.

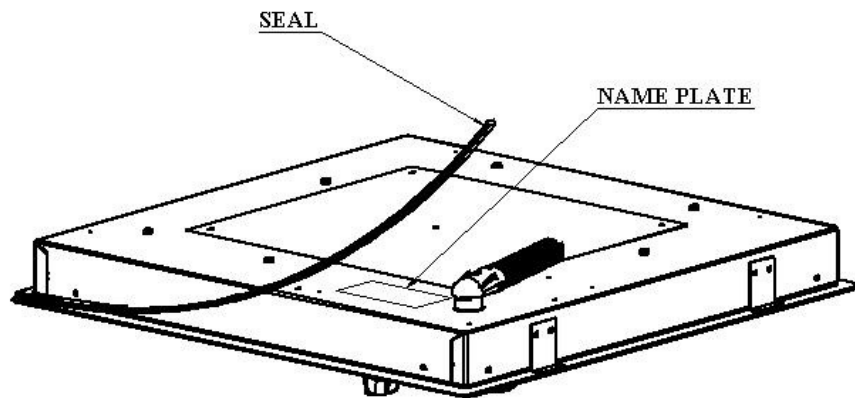


Fig. 5

2. Attach the mounting brackets supplied with the SUMMIT cooktop (refer to Figs. 6-7-8) to the inside bottom surface of the cutout. The brackets are to be mounted on opposing sides. Center the bracket in the opening, flush with the countertop and secure with long self-tapping screws (included). Position the cooktop in the cutout opening and press firmly on all sides to seal the frame into the sealant strips. Secure the cooktop to the brackets from underneath with the small sheet metal screws that are supplied. There are two mounting brackets for the single and double glass ceramic cooktops and four brackets for the triple glass ceramic cooktop. These brackets are designed to tighten the cooktop and then seal it onto the counter to avoid any movement of the cooktop and to provide good insulation.

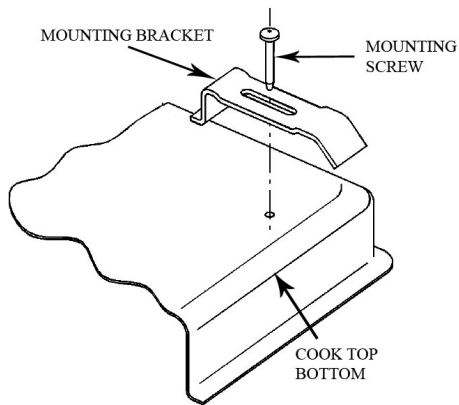


Fig. 6

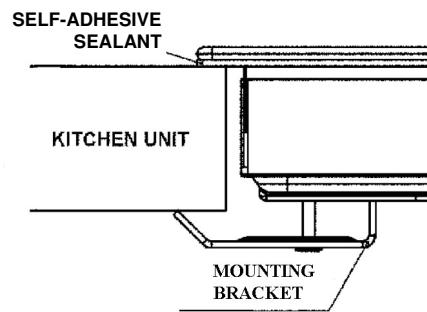


Fig. 7

NOTE: BE CAREFUL NOT TO OVERTIGHTEN THE SCREWS.

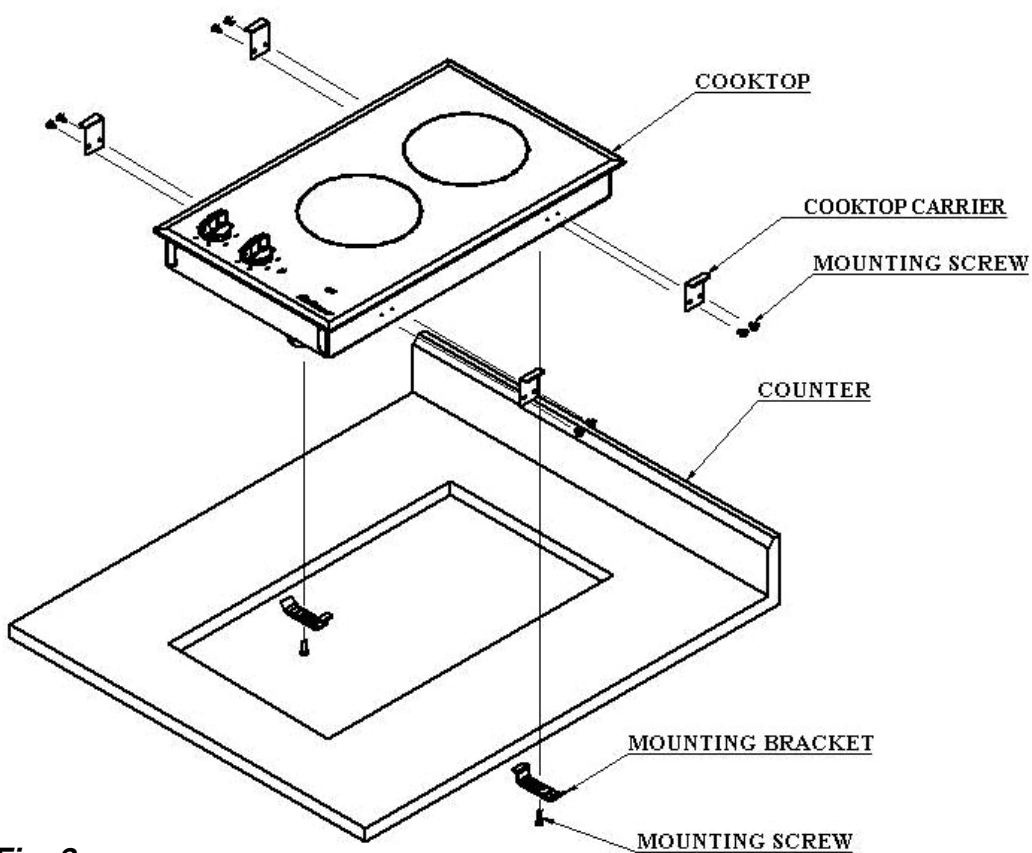


Fig. 8

NOTE: Cooktop carrier brackets have already been installed on your cooktop.

Step #5

Electrical Connection

Before proceeding further, verify that the power supply is disconnected. Verify that the appropriate electrical supply requirements have been met. Refer to the table on page 2 for appropriate electrical requirements. The cooktop is supplied with a 40-inch long conduit for a connection to an accessible junction box. The conduit consists of three insulated wires. **In 120V units**, there is a hot lead conductor (black insulated tinned copper), one insulated ground conductor (green insulated tinned copper) and a neutral conductor (**white** insulated tinned copper). **In 240V units**, there are two hot lead conductors (one red, one black insulated tinned copper) and one insulated ground conductor (green insulated tinned copper).

Attach conductor wires to residence wiring in accordance with national, state and local electric codes.



Warning – Grounding

The entire appliance must be grounded at all times when the electrical power supply is on. Connect the red to red, black to black and green to ground. Do not ground the appliance with the neutral house supply wire. A separate ground must be used.

STEP #6

Final Preparations Prior to Use

Clean the cooktop before you use it for the first time. A thorough cleaning with a cooktop cleaner will provide a clean, shiny coating on the cooktop surface.

The next sections of the manual cover cooktop safety, operation, maintenance and service information.

Please keep these instructions with the SUMMIT cooktop for future reference.

SAFETY INSTRUCTIONS

Read this section BEFORE operating the cooktop.

This cooktop, like all appliances, has the potential to create safety problems through careless and improper use. Please observe all of the following safety precautions.

- **Proper Installation**
Be sure your appliance is properly installed and grounded by a qualified technician.
- **Never use your appliance for warming or heating the room.**
- **Do not leave children alone.**
Children should never be left alone or unattended in the area where the appliance is in use. They should never be allowed to sit or stand on any part of the appliance. Do not store items of interest to a child in cabinets above cooktop. Children climbing on the cooktop to reach such items could be seriously injured.
- **Wear proper clothing/apparel.**
Loose-fitting or hanging garments should never be worn while using the appliance.
- **User Servicing**
Do not repair or replace any part of the appliance. If service ever becomes necessary, this appliance should be serviced by *AUTHORIZED PERSONNEL ONLY* or call *SUMMIT Customer Service at 1-800-932-4267*.
- **Keep flammable materials away from the cooktop.**
- **Do not store plastic material (such as plastic utensils) in storage areas beneath cooktop.**
Plastic items with low melting temperatures should not be stored under, over or near the cooktop.
- **Do not soak removable heating elements.**
Heating elements should never be immersed in water.
- **Do not immerse the cooktop in any liquid.**
- **Do not use water on grease fires.**
Smother fire or flame or use dry chemical or foam-type extinguisher.
- **Use only dry potholders.**
Damp potholders on hot surfaces may result in burns from steam. Do not let potholder touch the heating elements on the appliance. Do not use a towel or other bulky cloth in place of a potholder.

- **Do not cook on a broken cooktop.**
If your cooktop should break, cleaning solutions and spillovers may penetrate the broken cooktop and create a risk of electric shock. Immediately contact an authorized service center or call the SUMMIT Customer Service at **1-800-932-4267**.
- **Clean cooktop with caution.**
If a wet sponge or cloth is used to wipe spills on a hot cooking surface, be careful to avoid steam burns. Some cleaners produce noxious fumes if applied to a hot surface. Read the cleaner label for details prior to use.
- **DO NOT TOUCH HEATING ELEMENTS.**
The heating elements on the cooktop may be hot even if they are dark in color. These areas may be hot enough to cause burns. Never touch heating elements until they have had sufficient time to cool. Likewise, never allow clothing or flammable materials to come in contact with heating elements or the cooktop surface until they have had sufficient time to cool. Other surfaces of the appliance may become hot enough to cause burns.
- **Use proper pan size.**
This appliance is equipped with one or more 6"-diameter surface units. Select utensils having flat bottoms large enough to cover the surface unit heating element. The use of undersized utensils will expose a portion of the heating element to direct contact and may result in ignition of clothing. Proper relationship of utensil to burner will also improve efficiency.
- **Never leave surface units unattended at high heat settings.**
Boil-over causes smoking and greasy spillovers that may ignite.
- **Utensil handles should be turned inward and not extend over adjacent surface units.**
To reduce the risk of burns, ignition of flammable materials, and spillage due to unintentional contact with the utensil, the handle of a utensil should be positioned so that it is turned inward, and does not extend over adjacent surface units.
- These cooktops are for **HOUSEHOLD USE ONLY**.

- SAVE THESE INSTRUCTIONS -

Operation

READ SAFETY INSTRUCTIONS BEFORE OPERATING YOUR APPLIANCE.

The cooking surface areas of your glass ceramic cooktop are identified by permanent patterns in the cooktop. The appliance is easy to maintain and easy to clean. Keeping the cooktop at top performance levels can be achieved by following the simple guidelines for use and cleaning below.

Cookware

Chances are that your existing cookware will work just fine with your glass ceramic cooktop. Cooking on a glass ceramic cooktop does not require special pots or pans. Since cookware plays an important role in cooking efficiency and convenience, keep in mind the following information when selecting your cookware.

The cookware should have a flat bottom. Although glass and other types of cookware can be used, metal cookware with thick, smooth, flat bottoms will generally conduct the heat well. Aluminum and stainless steel cookware usually works best. Avoid cookware with shaped and rounded bottoms as well as utensils that warp when heated.

Use cookware of the correct diameter only. The base of the pot or pan should be about as wide as the cooking zone on which it is used – not much wider or much narrower. By using utensils with the correct diameter, you should achieve maximum heating efficiency in the shortest possible time.

Be certain that both the cooktop surface and the bottom of your pots and pans are clean and dry before use. By doing so, you will help prevent scratches and stains.

Heating Elements

This cooktop contains radiant heating elements. The radiant elements will “light up” about 4-5 seconds after being turned on. The special design of these elements directs the heat up through the ceramic glass, providing efficient cooking. Temperature limiters are included in each element to ensure that the safe operating temperature of the ceramic glass top is not exceeded. The temperature limiter will cycle the radiant element on and off to prevent exceeding the maximum safe surface temperature.

Controls & Indicators

Each of the cooking area controls has an infinite selection of heat settings. The control settings begin at low and increase heat output by cycling the heating elements between OFF and full power as you turn the knob clockwise. The heating elements will stay at full power for longer periods and at zero power for shorter periods as you turn the knob clockwise, thus increasing the heat output.

There is a light adjacent to each of the control knobs that provides an indication of burner operation and a hot surface. When a control is in the ON position, the red light is lit indicating which burner is on and is therefore too warm to touch. Do not place articles other than cookware on the cooking surface while this light is glowing.

Cleaning

To help ensure that your cooktop stays clean, follow these easy-care tips:

- Clean the cooktop before you use it for the first time. A thorough cleaning with a recommended cooktop cleaner will provide a coating on the cooktop prior to its first use.
- Always remove food spills, grease spatters and metal rub-off from cookware. A razor blade scraper or the equivalent works well to remove spillovers.
- Clean the cooktop with a paper towel or a clean, soft cloth and a recommended cleaner. After cleaning, always wipe the cooktop with a clean, damp cloth to avoid cooked-on cleaner residue. Wipe the cooktop dry.
- Do not use a dish towel or sponge to wipe off the cooktop. A film may be left by the detergent and may cause discoloration of the cooktop surface.
- Avoid abrasive scouring cleaners of any kind. Also avoid using plastic, nylon or metal cleaning pads. They may scratch or melt onto the cooktop.
- Avoid chemical cleaners such as chlorine bleach, ammonia, hydrofluoric acid or chemical oven cleaners. They can etch or discolor the surface.
- Do not let anything that melts – plastic, aluminum foil, sugar, etc., come into contact with the cooktop surface when it is hot. Should something melt onto the surface, *immediately* move it to a cool area of the cooktop with a razor blade scraper and then remove it from the cooktop as soon as possible.

ONE-YEAR LIMITED WARRANTY

Within the 48 contiguous United States, for one year from the date of purchase, when this appliance is operated and maintained according to instructions attached to or furnished with the product, warrantor will pay for factory-specified parts and repair labor to correct defects in materials or workmanship. Service must be provided by a designated service company. Outside the 48 states, all parts are warranted for one year from manufacturing defects. Plastic parts, shelves and cabinets are warranted to be manufactured to commercially acceptable standards, and are not covered from damage during handling or breakage.

ITEMS WARRANTOR WILL NOT PAY FOR:

- Service calls to correct the installation of your appliance, to instruct you how to use your appliance, to replace or repair fuses or to correct wiring or plumbing.
- Service calls to repair or replace appliance light bulbs or broken glass shelves. Consumable parts (such as filters) are excluded from warranty coverage.
- Damage resulting from accident, alteration, misuse, abuse, fire, flood, acts of God, improper installation, installation not in accordance with electrical or plumbing codes, or use of products not approved by warrantor.
- Replacement parts or repair labor costs for units operated outside the United States.
- Repairs to parts or systems resulting from unauthorized modifications made to the appliance.
- Expenses for travel and transportation for product service in remote locations.
- The removal and reinstallation of your appliance if it is installed in an inaccessible location or is not installed in accordance with published installation instructions.

DISCLAIMER OF IMPLIED WARRANTIES – LIMITATION OF REMEDIES

CUSTOMER'S SOLE AND EXCLUSIVE REMEDY UNDER THIS LIMITED WARRANTY SHALL BE PRODUCT REPAIR AS PROVIDED HEREIN. IMPLIED WARRANTIES, INCLUDING WARRANTIES OF MERCHANTABILITY OR FITNESS FOR A PARTICULAR PURPOSE, ARE LIMITED TO ONE YEAR. WARRANTOR SHALL NOT BE LIABLE FOR INCIDENTAL OR CONSEQUENTIAL DAMAGES. SOME STATES DO NOT ALLOW THE EXCLUSION OR LIMITATION OF INCIDENTAL OR CONSEQUENTIAL DAMAGES, OR LIMITATIONS ON THE DURATION OF IMPLIED WARRANTIES OF MERCHANTABILITY OR FITNESS, SO THESE EXCLUSIONS OR LIMITATIONS MAY NOT APPLY TO YOU. THIS WARRANTY GIVES YOU SPECIFIC LEGAL RIGHTS AND YOU MAY ALSO HAVE OTHER RIGHTS, WHICH VARY FROM STATE TO STATE.

Call customer service toll-free in the U.S.A. @ 1-800-932-4267, Monday to Friday 9:00 AM - 5:00 PM (ET).

Order parts online at www.summitappliance.com/support

The logo for Summit Appliance, featuring the word "SUMMIT" in a bold, black, sans-serif font. The letters are slightly shadowed, giving it a three-dimensional appearance.

Felix Storch, Inc.
Summit Appliance Division
770 Garrison Avenue
Bronx, NY 10474

Phone: (718) 893-3900
Fax: (718) 842-3093
www.summitappliance.com