

# Operator's Manual

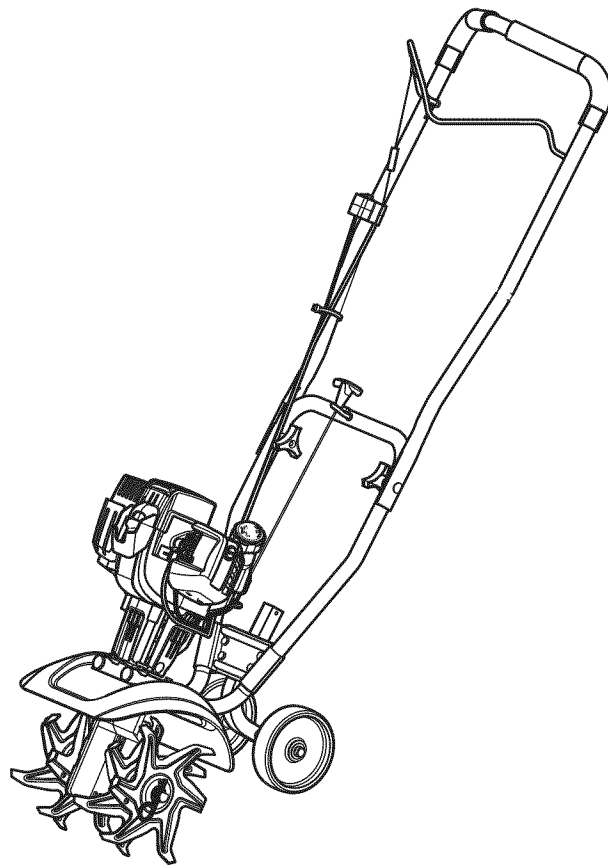


2-Cycle

**GAS MINI TILLER**

Model No. 316.240320

**INCREDI-PULL™**  
UNBELIEVABLE STARTING EASE™



**CAUTION:** Before using this product, read this manual and follow all its Safety Rules and Operating Instructions.

- SAFETY
- ASSEMBLY
- OPERATION
- MAINTENANCE
- PARTS LIST
- ESPAÑOL, P. 19

**Sears Brands Management Corporation, Hoffman Estates, IL 60179 U.S.A.**

Visit our website: [www.craftsman.com](http://www.craftsman.com)



## TABLE OF CONTENTS


Safety	.2
Warranty	.5
Know Your Unit	.6
Specifications	.6
Assembly	.7
Oil and Fuel	.8
Starting and Stopping	.9
Operation	.10
Maintenance	.11
Cleaning and Storage	.13
Troubleshooting	.14
Repair Protection Agreements	.15
Parts List	.38
Service Numbers	.Back Cover


All information, illustrations and specifications in this manual are based on the latest product information available at the time of printing. We reserve the right to make changes at any time without notice.


## SAFETY

The purpose of safety symbols is to attract your attention to possible dangers. The safety symbols, and their explanations, deserve your careful attention and understanding. The safety warnings do not by themselves eliminate any danger. The instructions or warnings they give are not substitutes for proper accident prevention measures.

SYMBOL	MEANING
--------	---------

	<b>DANGER:</b> Signals an EXTREME hazard. Failure to obey a safety <b>DANGER</b> signal <b>WILL</b> result in serious injury or death to yourself or to others.
--	--

	<b>WARNING:</b> Signals a SERIOUS hazard. Failure to obey a safety <b>WARNING</b> signal <b>CAN</b> result in serious injury to yourself or to others.
--	---

	<b>CAUTION:</b> Signals a MODERATE hazard. Failure to obey a safety <b>CAUTION</b> signal <b>MAY</b> result in property damage or injury to yourself or to others.
--	---

**NOTE:** Advises you of information or instructions vital to the operation or maintenance of the equipment.

### SPARK ARRESTOR NOTE

**NOTE: For users on U.S. Forest Land and in the states of California, Maine, Oregon and Washington.** All U.S. Forest Land and the state of California (Public Resources Codes 4442 and 4443), Oregon and Washington require, by law that certain internal combustion engines operated on forest brush and/or grass-covered areas be equipped with a spark arrestor, maintained in effective working order, or the engine be constructed, equipped and maintained for the prevention of fire. Check with your state or local authorities for regulations pertaining to these requirements. Failure to follow these requirements could subject you to liability or a fine. **This unit is factory equipped with a spark arrestor.** Replacement requires **Muffler Assembly Part #753-06792**, installed at a Sears Parts & Repair Service Center.



#### CALIFORNIA PROPOSITION 65

**WARNING:** Engine exhaust, some of its constituents and certain finished components contain or emit chemicals known to the State of California to cause cancer and birth defects or other reproductive harm. Wash hands after handling.

**Read the operator's manual and follow all warnings and safety instructions. Failure to do so can result in serious injury to the operator and/or bystanders.**

## READ ALL INSTRUCTIONS BEFORE OPERATING



**WARNING:** When using the unit, all safety rules must be followed. Please read these instructions before operating the unit in order to ensure the safety of the operator and any bystanders. Please keep these instructions for later use.

- Read the instructions carefully. Be familiar with the controls and proper use of the unit.
- Do not operate this unit when tired, ill or under the influence of alcohol, drugs or medication.
- Children and teens under the age of 15 must not use the unit, except for teens guided by an adult.
- All guards and safety attachments must be installed properly before operating the unit.
- Inspect the unit before use. Replace damaged parts. Check for fuel leaks. Make sure all fasteners are in place and secure. Replace parts that are cracked, chipped, or damaged in any way. Do not operate the unit with loose or damaged parts.
- Carefully inspect the area before starting the unit. Remove all debris and hard or sharp objects such as glass, wire, etc.
- Be aware of the risk of injury to the head, hands and feet.
- Clear the area of children, bystanders and pets; keep them outside a 50-foot (15 m) radius, at a minimum. Even then, they are still at risk from thrown objects. Encourage bystanders to wear eye protection. If you are approached, stop the unit immediately.
- Squeeze the throttle control and check that it returns automatically to the idle position. Make all adjustments or repairs before using the unit.

## SAFETY WARNINGS FOR GAS UNITS



**WARNING:** Gasoline is highly flammable and its vapors can explode if ignited. Take the following precautions:

- Store fuel only in containers specifically designed and approved for the storage of such materials.
- Always stop the engine and allow it to cool before filling the tank. Never remove the fuel tank cap or add fuel when the engine is hot. Always loosen the fuel tank cap slowly to relieve any pressure in the tank before fueling.
- Always mix and add fuel in a clean, well-ventilated outdoor area where there are no sparks or flames. DO NOT smoke.
- Never operate the unit without the fuel cap securely in place.
- Avoid creating a source of ignition for spilled fuel. Wipe up any spilled fuel from the unit immediately, before starting the unit. Move the unit at least 30 ft. (9.1 m) from the fueling source and site before starting the engine. DO NOT smoke.
- Never start or run the unit inside a closed room or building. Breathing exhaust fumes can kill. Operate this unit only in a well ventilated outdoor area.

## WHILE OPERATING

- Wear safety glasses or goggles that meet ANSI Z87.1-1989 standards and are marked as such. Wear ear/hearing protection when operating this unit. Wear a face or dust mask if the operation is dusty.
- Wear heavy long pants, boots, gloves and a long sleeve shirt. Do not wear loose clothing, jewelry, short pants, sandals or go barefoot. Secure hair above shoulder level.

- This unit has a clutch. The tines remain stationary when the engine is idling. If they do not, take the unit to a Sears or other qualified service dealer for an adjustment.
- Be sure the tines are not in contact with anything before starting the unit.
- Use the unit only in daylight or good artificial light.
- Avoid accidental starting. Be in the starting position whenever pulling the starter rope. The operator and unit must be in a stable position while starting. Refer to *Starting and Stopping*.
- Use the right tool. Only use this tool for its intended purpose.
- Use extreme caution when reversing or pulling the unit towards you.
- Do not overreach. Always keep proper footing and balance. Take extra care when working on steep slopes or inclines.
- Always hold the unit with both hands when operating. Keep a firm grip on both handles or grips.
- Keep hands, face, and feet away from all moving parts. Do not touch or try to stop the tines when they are rotating.
- Do not touch the engine or muffler. These parts get extremely hot from operation, even after the unit is turned off.
- Do not operate the engine faster than the speed needed to cultivate. Do not run the engine at high speed when you are not cultivating.
- Always stop the engine when cultivating is delayed or when walking from one cultivating location to another.
- If you strike or become entangled with a foreign object, stop the engine immediately and check for damage. Do not operate before repairing damage. Do not operate the unit with loose or damaged parts.
- Turn the engine to off and disconnect the spark plug for maintenance or repair.
- Use only original equipment manufacturer (OEM) replacement parts and accessories for this unit, as listed in the *Parts List* section of this manual. Use of any other parts or accessories could lead to serious injury to the user, or damage to the unit, and void the warranty.
- Keep the unit clean of vegetation and other materials that may become lodged between the tines and guard.
- To reduce fire hazard, replace a faulty muffler and spark arrestor. Keep the engine and muffler free from grass, leaves, excessive grease or carbon build up.

## OTHER SAFETY WARNINGS










- Never store the unit with fuel in the tank, inside a building where fumes may reach an open flame (pilot lights, etc.) or sparks (switches, electrical motors, etc.).
- Allow the engine to cool before storing or transporting. Be sure to secure the unit while transporting.
- Store the unit in a dry place, secured or at a height to prevent unauthorized use or damage. Keep out of the reach of children.
- Never douse or squirt the unit with water or any other liquid. Keep handles dry, clean and free from debris. Clean after each use, see *Cleaning and Storage* instructions.
- Clean tines with a household cleaner to remove any gum buildup. Oil the tines with machine oil to prevent rust.
- Keep these instructions. Refer to them often and use them to instruct other users. If you loan this unit to others, also loan them these instructions.

## SAVE THESE INSTRUCTIONS

• SAFETY & INTERNATIONAL SYMBOLS •

This operator's manual describes safety and international symbols and pictographs that may appear on this product. Read the operator's manual for complete safety, assembly, operating and maintenance and repair information.

**SYMBOL    MEANING**

	<ul style="list-style-type: none"> <li>• <b>SAFETY ALERT SYMBOL</b> Indicates danger, warning or caution. May be used in conjunction with other symbols or pictographs.</li> </ul>
	<ul style="list-style-type: none"> <li>• <b>WARNING - READ OPERATOR'S MANUAL</b> Read the operator's manual(s) and follow all warnings and safety instructions. Failure to do so can result in serious injury to the operator and/or bystanders.</li> </ul>
	<ul style="list-style-type: none"> <li>• <b>WEAR EYE AND HEARING PROTECTION</b> <b>WARNING:</b> Thrown objects and loud noise can cause severe eye injury and hearing loss. Wear eye protection meeting ANSI Z87.1-1989 standards and ear protection when operating this unit. Use a full face shield when needed.</li> </ul>
	<ul style="list-style-type: none"> <li>• <b>UNLEADED FUEL</b> Always use clean, fresh unleaded fuel</li> </ul>
	<ul style="list-style-type: none"> <li>• <b>OIL</b> Refer to operator's manual for the proper type of oil.</li> </ul>
	<ul style="list-style-type: none"> <li>• <b>DO NOT USE E85 FUEL IN THIS UNIT</b> <b>WARNING:</b> It has been proven that fuel containing greater than 10% ethanol will likely damage this engine and void the warranty.</li> </ul>
	<ul style="list-style-type: none"> <li>• <b>ON/OFF STOP CONTROL</b> ON / START / RUN</li> </ul>
	<ul style="list-style-type: none"> <li>• <b>ON/OFF STOP CONTROL</b> OFF or STOP</li> </ul>
	<ul style="list-style-type: none"> <li>• <b>PRIMER BULB</b> Push primer bulb, fully and slowly, 10 times.</li> </ul>

**SYMBOL    MEANING**

	<ul style="list-style-type: none"> <li>• <b>KEEP BYSTANDERS AWAY</b> <b>WARNING:</b> Keep all bystanders, especially children and pets, at least 50 feet (15 m) from the operating area.</li> </ul>
	<ul style="list-style-type: none"> <li>• <b>THROWN OBJECTS AND ROTATING CUTTER CAN CAUSE SEVERE INJURY</b> <b>WARNING:</b> Small objects can be propelled at high speed, causing injury. Keep away from the rotating rotor.</li> </ul>
	<ul style="list-style-type: none"> <li>• <b>HOT SURFACE WARNING</b> Do not touch a hot muffler or cylinder. You may get burned. These parts get extremely hot from operation. When turned off they remain hot for a short time.</li> </ul>
	<ul style="list-style-type: none"> <li>• <b>GARDEN CULTIVATORS – ROTATING TINES CAN CAUSE SEVERE INJURY</b> <b>WARNING:</b> Stop the engine/motor and allow the tines to stop before installing or removing tines, or before cleaning or performing any maintenance. Keep hands and feet away from rotating tines.</li> </ul>
	<ul style="list-style-type: none"> <li>• <b>NO STEP</b> Always keep proper footing and balance. Do not overreach, take extra care when working on steep slopes or inclines.</li> </ul>
	<ul style="list-style-type: none"> <li>• <b>PLACE RIGHT FOOT HERE</b> Avoid accidental starting. Stand in the starting position whenever pulling the starter rope. The operator and unit must be in a stable position while starting.</li> </ul>

## WARRANTY

### CRAFTSMAN TWO YEAR FULL WARRANTY

FOR TWO YEARS from the date of purchase, this product is warranted against any defects in material or workmanship. A defective product will receive free repair or replacement if repair is unavailable.

**For warranty coverage details to obtain free repair or replacement, visit the web site: [www.craftsman.com](http://www.craftsman.com)**

**This warranty covers ONLY defects in material and workmanship. Warranty coverage does NOT include:**

- Expendable items that can wear out from normal use within the warranty period, such as blades, tines or belts.
- Product damage resulting from user attempts at product modification or repair or caused by product accessories.
- Repairs necessary because of accident or failure to operate or maintain the product according to all supplied instructions.
- Preventive maintenance, or repairs necessary due to improper fuel mixture, contaminated or stale fuel.

This warranty is void if this product is ever used while providing commercial services or if rented to another person.

This warranty gives you specific legal rights, and you may also have other rights which vary from state to state.

Sears Brands Management Corporation, Hoffman Estates, IL 60179

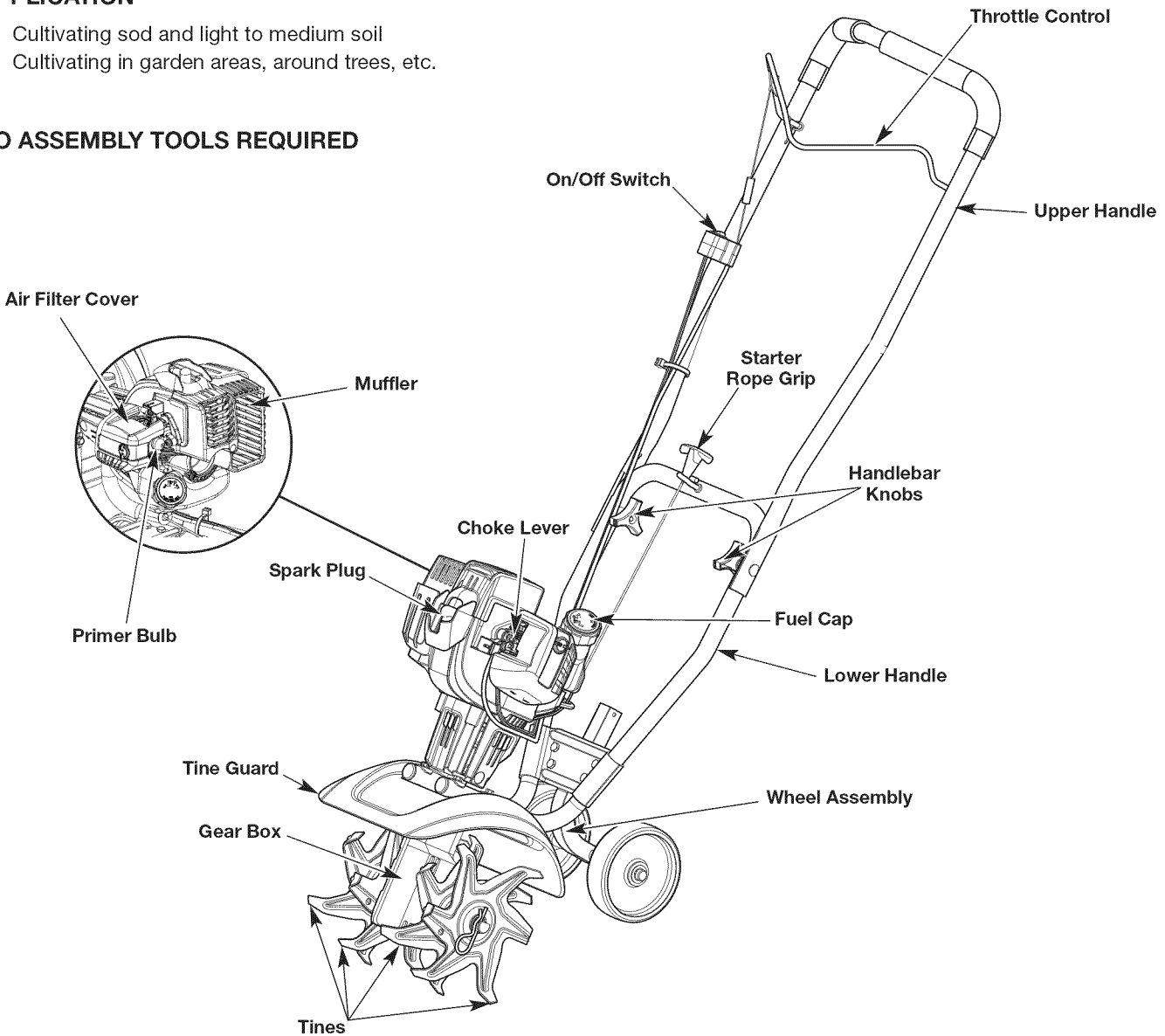
**FOR IN-WARRANTY SAFETY, OPERATION OR MAINTENANCE QUESTIONS, OR TO ORDER PARTS AND SCHEDULE SERVICE, CALL 1-800-4-MY-HOME®.**

# KNOW YOUR UNIT

## APPLICATION

- Cultivating sod and light to medium soil
- Cultivating in garden areas, around trees, etc.

## NO ASSEMBLY TOOLS REQUIRED



## SPECIFICATIONS\*

Engine Type	Air-Cooled, 2-Cycle
Displacement	25 cc
Idle Speed RPM	2,600-3,600 rpm
Operating RPM	7,800+ rpm
Clutch Type	Centrifugal
Spark Plug Gap	0.025 inch (0.635 mm)
Lubrication	Fuel/Oil Mixture
Fuel/Oil Ratio	40:1
Fuel Tank Capacity	10 ounces (295 ml)
Cultivating Path Width (Maximum)	9 inches (22.86 cm)
Cultivating Depth (Maximum)	5 inches (12.7 cm)
Approximate Weight (no fuel)	26 lb (12 kg)

\* All specifications are based on the latest product information available at the time of printing. We reserve the right to make changes at any time without notice.



# ASSEMBLY INSTRUCTIONS

## ASSEMBLING THE UNIT

Begin by carefully unpacking the contents and making sure that nothing is damaged.

## INSTALLING AND ADJUSTING THE WHEEL ASSEMBLY



**WARNING:** To prevent serious personal injury, the wheel assembly must be installed when operating the unit.



**WARNING:** To avoid injury from the tines, wear heavy gloves and a long sleeve shirt when installing the wheel assembly.

### Installing the Wheel Assembly

1. Set the unit on its side (Fig. 1).
2. Insert the wheel assembly into the wheel bracket (Fig. 1).
3. Insert the clevis pin through the wheel bracket and wheel assembly and lock it in place with the cotter pin (Fig. 1).

**NOTE:** It may be necessary to adjust the position of the wheel assembly before using the unit.



**WARNING:** Before inspecting, cleaning, or servicing the unit, stop the motor, wait for all moving parts to stop and remove the battery. Failure to follow these instructions can result in serious personal injury or property damage.

### Adjusting the Wheel Assembly

1. Set the unit on its side (Fig. 1).
2. Remove the cotter pin and the clevis pin from the wheel bracket and wheel assembly (Fig. 1).
3. Adjust the height by moving the wheel assembly along the wheel bracket.
4. Insert the clevis pin through the wheel bracket and assembly and lock it in place with the cotter pin (Fig. 1).

**NOTE:** Moving the wheel assembly down will raise the wheel height. Moving the wheel assembly up will lower the wheel height.

## POSITIONING THE HANDLEBARS

### Installing the Wheel Assembly

1. Loosen the two knobs on the inside of the handlebars (Fig. 3).
2. With the unit upright, swing the handlebars up into the operating position (Fig. 2).

**NOTE:** Take care not to pinch the throttle cable or switch wires when positioning the handlebar (Fig. 3).

3. Tighten the knobs to secure the handlebars in place (Fig. 3).

**NOTE:** Do not over tighten the knobs.

4. Readjust the throttle cable and switch wires so they are smooth and tight against the handlebar assembly. This will help prevent them from catching or snagging during normal operation.

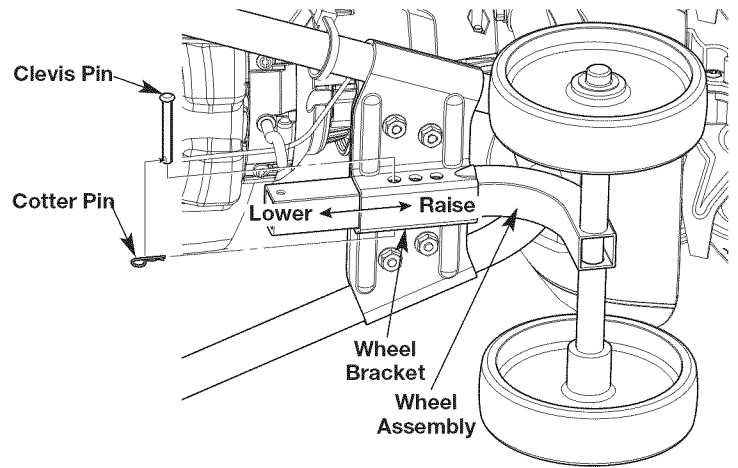


Fig. 1

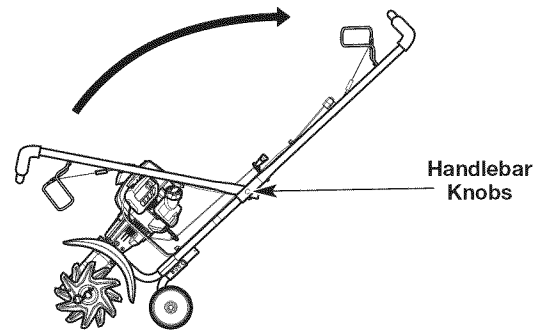


Fig. 2

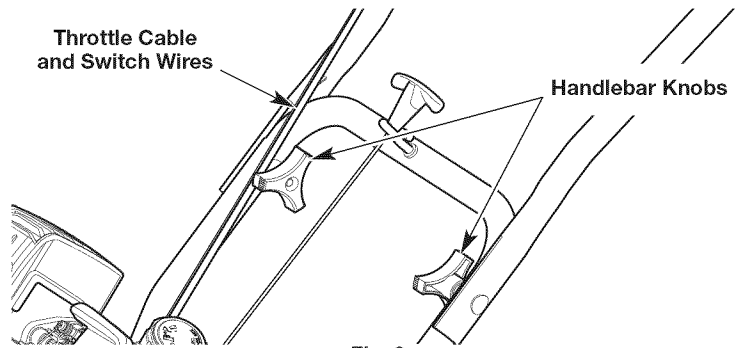


Fig. 3

## OIL AND FUEL MIXING INSTRUCTIONS

The use of old and/or improperly mixed fuel is the most common cause of performance problems. Use only fresh, clean unleaded gasoline. Follow the instructions carefully for the proper gasoline/oil mixture.

### Definition of Blended Fuels

Today's fuels are often a blend of gasoline and oxygenates such as ethanol, methanol or MTBE (ether). Alcohol-blended fuel absorbs water. As little as 1% water in the fuel can make fuel and oil separate, forming acids when stored. ALWAYS use fresh fuel (less than 30 days old).

**NOTE:** Dispose of old fuel according to federal, state and local regulations.

### Using Blended Fuels

If using a blended fuel:

- Always use the fresh fuel mix explained in your operator's manual
- Use the fuel additive STA-BIL® or an equivalent
- Always agitate the fuel mix before fueling the unit
- Drain the tank and run the engine dry before storing the unit

**WARNING: DO NOT USE E85 FUEL IN THIS UNIT.** It has been proven that fuel containing greater than 10% ethanol will likely damage this engine and void the warranty.

### Using Fuel Additives

The bottle of 2-cycle oil provided with this unit contains a fuel additive to help inhibit corrosion and minimize gum deposits. Always use the brand of 2-cycle oil that came with this unit. If this is unavailable, use a 2-cycle oil designed for air-cooled engines and mix it with a fuel additive, such as STA-BIL Fuel Stabilizer or an equivalent. Add 0.8 oz. (23 ml) of fuel additive per gallon of fuel, according to the instructions on the container. NEVER add fuel additives directly to the unit's fuel tank.

### Mixing the Fuel

**NOTE:** This unit comes with a 3.2 oz. bottle of 2-cycle oil. To obtain the correct fuel mixture described below, pour the entire bottle into one gallon of unleaded gasoline.

**CAUTION:** For proper engine operation and maximum reliability, pay strict attention to the gasoline and oil mixing instructions on the 2-cycle oil bottle. Using improperly mixed fuel can severely damage the engine.

Thoroughly mix the proper ratio of unleaded gasoline with 2-cycle engine oil. Do not mix them directly in the unit's fuel tank. Use a separate fuel can. Use a 40:1 gasoline/oil ratio. See the table below for specific gasoline and oil mixing ratios.

<b>Unleaded gasoline</b>	<b>2-cycle oil</b>
<b>1 gallon U.S. (3.8 liters)</b>	<b>3.2 fl. oz. (95 ml)</b>
<b>1 liter</b>	<b>25 ml</b>

**MIXING RATIO - 40:1**

## FUELING THE UNIT

**WARNING:** Gasoline is extremely flammable. Ignited vapors may explode. Always stop the engine and allow it to cool before filling the fuel tank. Do not smoke while filling the tank. Keep sparks and open flames at a distance from the area.

**WARNING:** Remove the fuel cap slowly to avoid injury from fuel spray. Never operate the unit without the fuel cap securely in place.

**WARNING:** Add fuel in a clean, well ventilated outdoor area. Wipe up any spilled fuel immediately. Avoid creating a source of ignition for spilled fuel. Do not start the engine until fuel vapors dissipate.

1. Position the unit with the fuel cap facing up.
2. Remove the fuel cap.
3. Place the fuel container spout into the fill hole on the fuel tank and fill the tank.

**NOTE:** Do not overfill the tank.

4. Wipe up any fuel that may have spilled.
5. Reinstall the fuel cap.
6. Move the unit at least 30 ft. (9.1 m) from the fuel container and the fueling site before starting the engine.

## STARTING AND STOPPING



**WARNING:** Operate this unit only in a well-ventilated outdoor area. Carbon monoxide exhaust fumes can be lethal in a confined area.



**WARNING:** Avoid accidentally starting the unit. To avoid serious injury, the operator and the unit must be in a stable position when pulling the starter rope (Fig. 7).

### STARTING INSTRUCTIONS

1. Mix gasoline with oil. Refer to *Oil and Fuel Mixing Instructions*.
2. Fill the fuel tank. Refer to *Fueling the Unit*.

**NOTE:** There is no need to turn the unit on. The On/Off switch is in the ON (I) position at all times (Fig. 4).

3. Slowly press and release the primer bulb **10 times** (Fig. 5). If fuel cannot be seen in the primer bulb, press and release the primer bulb until fuel is visible.
4. Flip the choke lever clockwise until it clicks (Fig. 6).
5. Stand in the starting position (Fig. 7). Hold the handlebar with one hand. Hold the starter rope with the other hand. Use one foot to hold the wheels in place.

**NOTE:** Always tilt the unit back slightly to bring the tines off the ground when starting the unit (Fig. 6).

6. **DO NOT** squeeze the throttle control (Fig. 4). Pull the starter rope with a controlled and steady motion until the unit starts.

**NOTE:** This unit uses the **INCREDI-PULL™** starting system, which significantly reduces the effort required to start the engine.

7. Idle the engine for 5 to 10 seconds. If the unit stops during this time, squeeze the throttle control and pull the starter rope in a controlled and steady motion until the unit starts.
8. Squeeze and hold the throttle control. Allow the engine to warm up for 30 to 60 seconds.

**NOTE:** The engine is properly warmed up when it accelerates without hesitation.

**IF...** the engine does not start, go back to step 3.

**IF...** the unit is hot and fails to start within 3 pulls of the starter rope, squeeze the throttle control and pull the starter rope with a controlled and steady motion until the unit starts.

### STOPPING INSTRUCTIONS

1. Release the throttle control and allow the engine to idle.
2. Press and hold the On/Off switch in the OFF (O) position until the engine comes to a complete stop (Fig. 4).

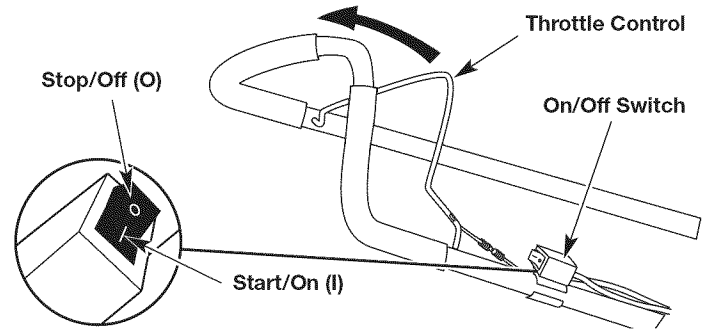


Fig. 4

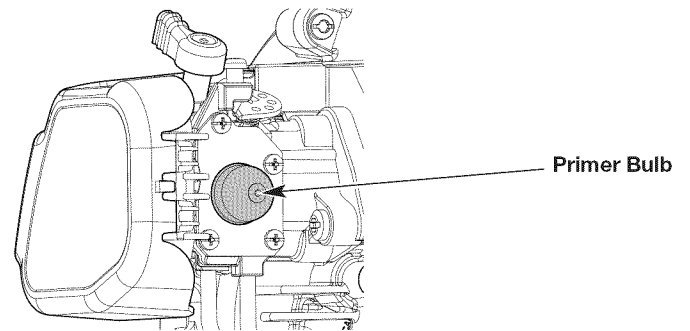


Fig. 5

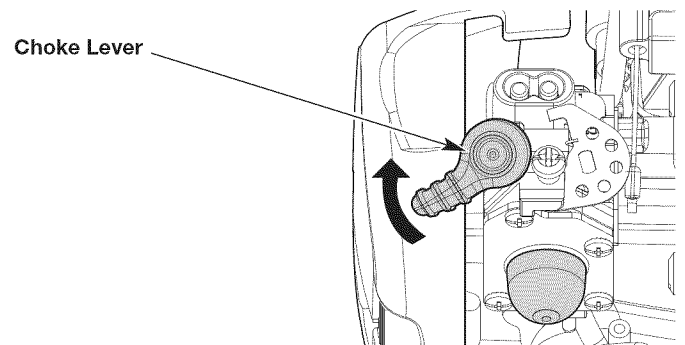


Fig. 6

Starting Position

Starter Rope

Throttle Control

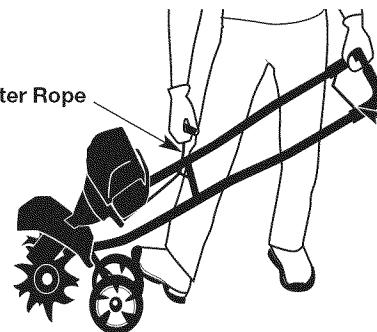


Fig. 7

## OPERATION



**WARNING:** Dress properly to reduce the risk of injury when operating this unit. Do not wear loose clothing or jewelry. Wear eye and ear/hearing protection. Wear heavy long pants, boots and gloves. Do not wear short pants, sandals or operate barefoot.

### OPERATING TIPS

1. Move the cultivator to the work area prior to starting the engine. Refer to *Moving the Unit*.



**CAUTION:** To prevent serious personal injury, never pick-up or carry the unit while the engine is running.

2. Start the unit as described in the *Starting Instructions*.
3. With the tines off the ground, squeeze the throttle control to increase the engine speed.
4. Hold the handlebar firmly with both hands and slowly lower the unit until the tines make contact with the ground (Fig. 8).
5. As cultivating action begins, pull back on the cultivator so that the tines can penetrate the ground.



**WARNING:** To prevent serious personal injury, use extreme caution when reversing or pulling the unit towards you.

6. Once the ground has been broken, continue at a moderate pace until you are familiar with the controls and the handling of the cultivator.
7. Pull the cultivator backwards to improve the depth of cultivation and reduce your effort.
8. If the tines are digging too deep or not deep enough, adjust them according to *Adjusting Tine Depth*.



Fig. 8

### ADJUSTING THE TINE DEPTH

The tines should penetrate most garden soils approximately 4 to 5 inches. If necessary, adjust the tines as follows:

1. Stop the engine and allow it to cool. Grasp the spark plug wire firmly and pull the cap from the spark plug.
2. Raise the wheel height for shallower tine penetration or lower the wheel height for deeper tine penetration. Refer to *Adjusting the Wheel Assembly* in the *Assembly Instructions* section.
3. Reconnect the spark plug wire and continue use.

### MOVING THE UNIT



**WARNING:** To prevent serious personal injury, always stop the engine when operation is delayed or when moving the unit from one location to another.

1. Stop the engine.
2. Tilt the unit back until the tines clear the ground.
3. Push or pull the unit to the next location.

## MAINTENANCE



**WARNING:** To prevent serious injury, never perform maintenance or repairs while the unit is running. Always allow the unit to cool before servicing or repairing the unit. Disconnect the spark plug wire to prevent the unit from starting accidentally.

### MAINTENANCE SCHEDULE

Perform these required maintenance procedures at the frequency stated in the table. These procedures should also be a part of any seasonal tune-up.

**NOTE:** Some maintenance procedures may require special tools or skills. If unsure about these procedures, take the unit to a Sears or other qualified service dealer. Call **1-800-4-MY-HOME** for more information.

**NOTE:** Maintenance, replacement, or repair of the emission control devices and system may be performed by a Sears or other qualified service dealer. Call **1-800-4-MY-HOME** for more information.

**NOTE:** Please read the California/EPA statement that came with the unit for a complete listing of terms and coverage for the emissions control devices, such as the spark arrestor, muffler, carburetor, etc.

FREQUENCY	MAINTENANCE REQUIRED
Every 10 hours	Clean and re-oil the air filter. Refer to <i>Maintaining the Air Filter</i> .
Every 25 hours	Check the spark plug condition and gap. Refer to <i>Maintaining the Spark Plug</i> .

### TINE REMOVAL AND REPLACEMENT



**WARNING:** To prevent serious personal injury, always wear heavy gloves when handling the tines.

**NOTE:** All installation instructions are explained from the operating position.

All 4 tines should be replaced at the same time because they will wear evenly through normal use. Work on one side at a time.

1. Stop the engine and allow it to cool. Grasp the spark plug wire firmly and pull the cap from the spark plug.
2. Lay the cultivator back on a flat level surface with the handles touching the ground so that the cultivator is in a horizontal position.

**NOTE:** It may be necessary to wash any dirt off the tines and shaft for easier tine removal.

3. Remove the click pins from each end of the tine shaft (Fig. 9). Slide the tines off of the shaft.
4. Clean and oil the shaft.
5. Slide on the new tines with the hubs facing in towards each other (Fig. 9).

**NOTE:** Each tine has a convex side. Make sure that all of the convex sides are facing as shown in Figure 9.

6. Secure the new tines to the shaft with click pins (Fig. 9).
7. Reconnect the spark plug wire.

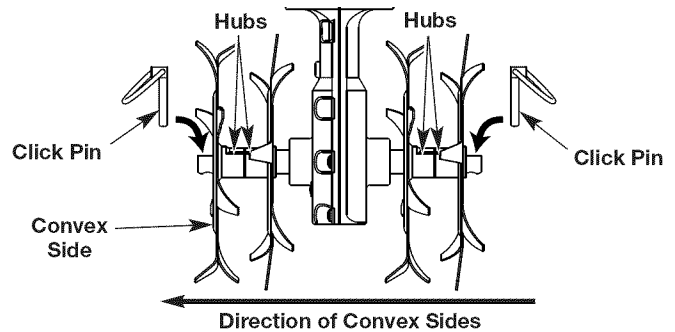


Fig. 9

## AIR FILTER MAINTENANCE

### Cleaning the Air Filter

Failure to maintain your air filter properly can result in poor performance or can cause permanent damage to your engine.

1. Open the air filter cover by unscrewing the cover screw (Fig. 10).
2. Remove the air filter and the screen that sits behind it (Fig. 10).
3. Wash the filter in detergent and water. Rinse the filter thoroughly and allow it to dry.
4. Apply enough clean SAE 30 motor oil to lightly coat the filter.
5. Squeeze the filter to spread and remove excess oil.
6. Replace the air filter and the screen that sits behind it (Fig. 10).

**NOTE:** Operating the unit without the air filter will **VOID** the warranty.

7. Reinstall the air filter cover. Insert the hooks on the air filter housing into the slots on the air filter cover (Fig. 11).
8. Swing the air filter cover to the right and align the cover screw with the cover screw hole (Fig. 11). Tighten the cover screw to secure the air filter cover.

**NOTE:** Do not over tighten as this may strip the screw.

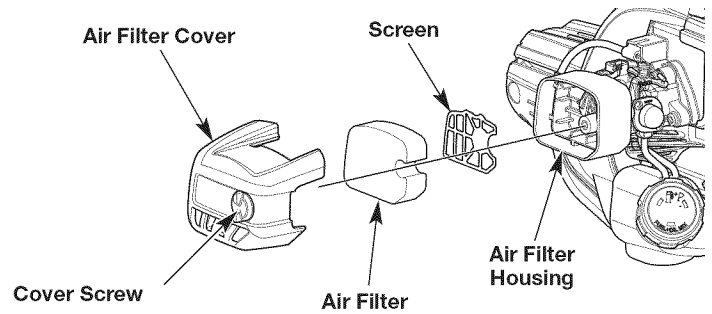


Fig. 10

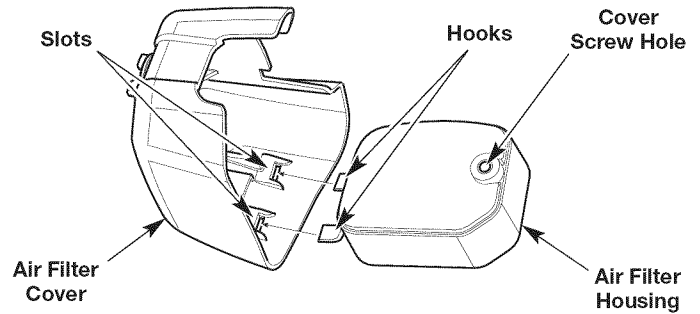



Fig. 11

## IDLE SPEED ADJUSTMENT



**WARNING:** The tines may turn during idle speed adjustments. Wear protective clothing and observe all safety instructions to prevent serious personal injury.

**NOTE:** Careless adjustments can seriously damage the unit. A Sears or other qualified service dealer should make carburetor adjustments.

If after checking the fuel mixture and cleaning the air filter the engine still will not idle, adjust the idle speed screw as follows:

1. Start the engine and let it run for about 2-3 minutes at a high speed (full throttle) to warm up. Refer to the *Starting and Stopping Instructions*.

**NOTE:** Ensure the tines are not in contact with the ground when adjusting the idle.

2. Release the throttle control and let the engine idle. If the engine stops, use a small Phillips screwdriver to turn the idle speed screw **clockwise**, 1/8 of a turn at a time (as needed) until the engine idles smoothly (Fig. 12).

**NOTE:** The tines should not rotate during engine idle.

3. If the tines rotate when the engine idles, turn the idle speed screw **counterclockwise** 1/8 of a turn at a time (as needed), to reduce idle speed.

Checking the fuel mixture, cleaning the air filter, and adjusting the idle speed screw should solve most engine problems. If not, and any of the following conditions are true, take the unit to a Sears or other qualified service dealer:

- the engine will not idle
- the engine hesitates or stalls on acceleration
- there is a loss of engine power

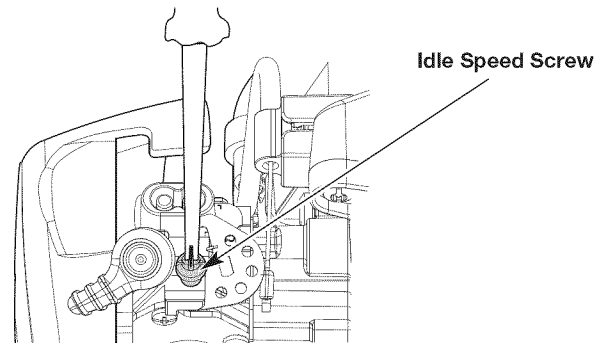


Fig. 12

## MAINTENANCE

### MAINTAINING THE SPARK PLUG

1. Stop the engine and allow it to cool. Grasp the spark plug boot firmly and pull it from the spark plug.
2. Clean around the spark plug. Remove the spark plug from the cylinder head with a 5/8-inch socket, turning counterclockwise.



**WARNING:** Do not sand blast, scrape or clean spark plug electrodes. Grit in the engine could damage the cylinder.

3. Inspect the spark plug. If the spark plug is cracked, fouled or dirty, replace it with a replacement part #753-06193, a **Champion RDJ7J** or an equivalent spark plug.
4. Use a feeler gauge to set the air gap at **0.025 in. (0.635 mm)** (Fig. 13).
5. Install the spark plug in the cylinder head. Tighten the spark plug with a 5/8-inch socket, turning it clockwise until snug.

**NOTE:** If using a torque wrench, torque to:

**110-120 in.•lb. (12.3-13.5 N•m). Do not over tighten.**

6. Reattach the spark plug boot.

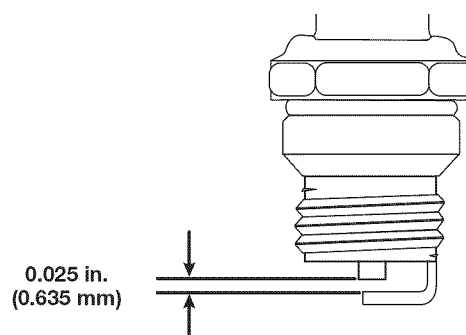


Fig. 13

## CLEANING AND STORAGE

### CLEANING



**WARNING:** To avoid serious personal injury, always stop the engine and allow it to cool before cleaning or maintaining the unit.

Use a small brush to clean the outside of the unit. Do not use strong detergents. Household cleaners that contain aromatic oils such as pine and lemon, and solvents such as kerosene, can damage plastic. Wipe off any moisture with a soft cloth.

### STORAGE

- Never store a fueled unit where fumes may reach an open flame or spark.
- Allow the engine to cool before storing.
- Lock up the unit to prevent unauthorized use or damage.
- Store the unit in a dry, well-ventilated area.
- Store the unit out of the reach of children.

#### Long-term Storage

1. Remove the fuel cap, tip the unit and drain the fuel into an approved container.
2. Start the engine and allow it to run until it stalls. This ensures that all fuel has been drained from the carburetor.
3. Allow the engine to cool. Remove the spark plug and put 5 drops of any high quality motor oil or 2-cycle oil into the cylinder. Pull the starter rope slowly to distribute the oil. Reinstall the spark plug.
4. Thoroughly clean the unit and inspect it for any loose or damaged parts. Repair or replace damaged parts and tighten loose screws, nuts or bolts.

#### Preparing the Unit for Use after Long-term Storage

1. Remove the spark plug and drain all of the oil from the cylinder.

**NOTE:** Do not use fuel that has been stored for more than 30 days. Dispose of old fuel according to federal, state and local regulations.

## TROUBLESHOOTING

CAUSE	ACTION
<b>ENGINE WILL NOT START</b>	
On/Off control in the OFF position	Turn On/Off control to ON
Empty fuel tank	Fill fuel tank with properly mixed fuel
Primer bulb wasn't pressed enough	Press the primer bulb 10 times or until fuel is visible
The fuel is old (over 30 days) and/or improperly mixed	Drain the fuel tank and add fresh, properly mixed fuel
Fouled spark plug	Replace or clean the spark plug
<b>ENGINE WILL NOT IDLE</b>	
Air filter is plugged	Replace or clean the air filter
The fuel is old (over 30 days) and/or improperly mixed	Drain the fuel tank and add fresh, properly mixed fuel
Improper idle speed	Adjust the idle speed
<b>ENGINE WILL NOT ACCELERATE</b>	
The fuel is old (over 30 days) and/or improperly mixed	Drain the fuel tank and add fresh, properly mixed fuel
Dirty air filter	Clean or replace the air filter
<b>ENGINE LACKS POWER OR STALLS WHEN CULTIVATING</b>	
The fuel is old (over 30 days) and/or improperly mixed	Drain the fuel tank and add fresh, properly mixed fuel
Fouled spark plug	Replace or clean the spark plug

If further assistance is required, contact your authorized service dealer.

## NEED MORE HELP?

You'll find the answer and more on [managemylife.com](http://managemylife.com) – for free!

- Find this and all your other product manuals online.
- Get answers from our team of home experts.
- Get a personalized maintenance plan for your home.
- Find information and tools to help with home projects.



brought to you by Sears

## REPAIR PROTECTION AGREEMENTS

*Congratulations on making a smart purchase.* Your new Craftsman® product is designed and manufactured for years of dependable operation. But like all products, it may require repair from time to time. That's when having a Repair Protection Agreement can save you money and aggravation.

### **Here's what the Repair Protection Agreement\* includes:**

- ☑ **Expert service** by our 10,000 professional repair specialists
- ☑ **Unlimited service and no charge** for parts and labor on all covered repairs
- ☑ **Product replacement** up to \$1500 if your covered product can't be fixed
- ☑ **Discount of 25%** from regular price of service and related installed parts not covered by the agreement; also, 25% off regular price of preventive maintenance check
- ☑ **Fast help by phone** – we call it Rapid Resolution - phone support from a Sears representative. Think of us as a “talking owner’s manual.”

Once you purchase the Repair Protection Agreement, a simple phone call is all that it takes for you to schedule service. You can call anytime day or night, or schedule a service appointment online.

The Repair Protection Agreement is a risk-free purchase. If you cancel for any reason during the product warranty period, we will provide a full refund. Or, a prorated refund anytime after the product warranty period expires. Purchase your Repair Protection Agreement today!

**Some limitations and exclusions apply. For prices and additional information in the U.S.A. call 1-800-827-6655.**

**\*Coverage in Canada varies on some items. For full details call Sears Canada at 1-800-361-6665.**

### **Sears Installation Service**

*For Sears professional installation* of home appliances, garage door openers, water heaters, and other major home items, in the U.S.A. or Canada call **1-800-4-MY-HOME**.







# Manual del Operador

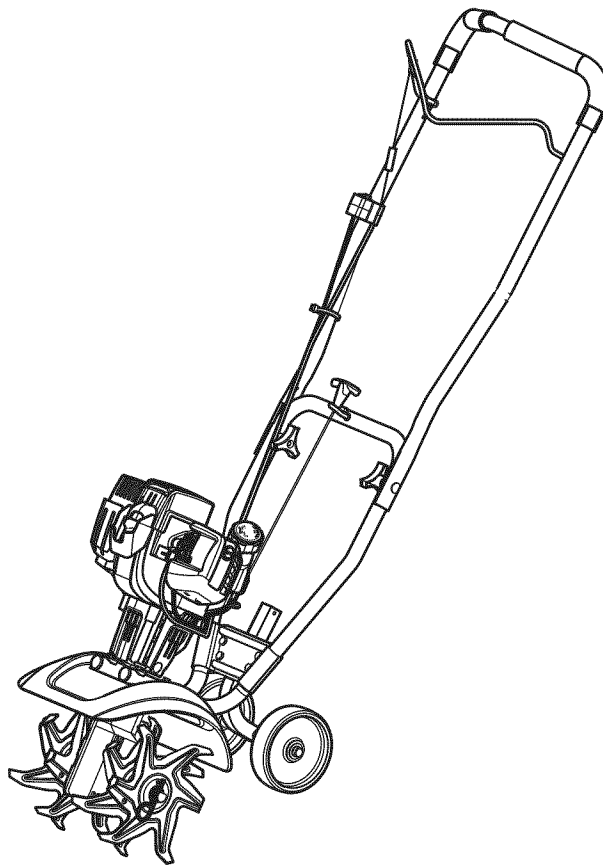
# CRAFTSMAN®

## Motor de 2 tiempos

## MINI CULTIVADORA A GASOLINA

Modelo No. 316.240320

**INCREDI-PULL™**  
UNBELIEVABLE STARTING EASE™



**PRECAUCIÓN:** Antes de utilizar, este producto lea este manual y siga todas las reglas de seguridad e instrucciones de operación.

- SEGURIDAD
- ENSAMBLAJE
- OPERACIÓN
- MANTENIMIENTO
- LISTA DE PIEZAS

Sears Brands Management Corporation, Hoffman Estates, IL 60179 U.S.A.

Visite nuestro sitio web: [www.craftsman.com](http://www.craftsman.com)

## TABLA DE CONTENIDO

Seguridad .....	20
Garantía .....	23
Conozca su unidad .....	24
Especificaciones .....	24
Ensamblaje .....	25
Aceite y combustible .....	26
Arranque y parada .....	27
Operación .....	28
Mantenimiento .....	29
Limpieza y almacenamiento .....	31
Localización y solución de problemas .....	32
Convenio de protección de reparación .....	33
Lista de piezas .....	38
Números de servicio .....	Contraportada

Toda la información, las ilustraciones y especificaciones que contiene este manual se basan en la información más reciente del producto, existente en el momento de la impresión. Nos reservamos el derecho de hacer cambios en cualquier momento, sin previo aviso.

## SEGURIDAD

El propósito de los símbolos de seguridad es llamar la atención sobre posibles peligros. Los símbolos de seguridad y sus explicaciones merecen toda su atención y comprensión. Las advertencias de seguridad no eliminan de por sí ningún peligro. Las instrucciones o advertencias que dan no sustituyen las medidas adecuadas de prevención de accidentes.

### SÍMBOLO SIGNIFICADO

	<b>PELIGRO:</b> Indica un peligro EXTREMO. El no obedecer una señal de seguridad de <b>PELIGRO</b> <b>TRAERÁ COMO CONSECUENCIA</b> que usted u otras personas puedan sufrir lesiones graves o la muerte.
	<b>ADVERTENCIA:</b> Indica un peligro GRAVE. El no obedecer una señal de <b>ADVERTENCIA</b> de seguridad <b>PUEDE</b> conducir a que usted u otras personas sufran graves lesiones.
	<b>PRECAUCIÓN:</b> Indica un peligro MODERADO. El no obedecer una señal de <b>PRECAUCIÓN</b> de seguridad <b>PUEDE</b> conducir a daños a la propiedad o a que usted u otras personas se lesionen.

**NOTA:** Indica información o instrucciones de vital importancia para la operación o el mantenimiento del equipo.

### NOTA SOBRE EL PARACHISPAS

**NOTA: Para usuarios de la Zona Forestal de EE. UU., y los estados de California, Maine, Oregón y Washington.** Todas las zonas forestales de EE.UU., así como los estados de California (Códigos de Recursos Públicos 4442 y 4443), Oregón y Washington exigen, por ley, que determinados motores de combustión interna operados en matorrales boscosos y/o zonas cubiertas de hierba, estén equipados con un parachispas y se mantengan en buen estado de funcionamiento, o que el motor sea construido, equipado y mantenido con vista a la prevención de incendios. Compruebe con las autoridades de su estado o localidad las reglamentaciones relacionadas con estos requisitos. Si no cumple estos requisitos podría estar sujeto a responsabilidad civil o multa. **Esta unidad viene equipada de fábrica con un parachispas.** El reemplazo requiere la pieza **No. 753-06792 del conjunto del silenciador**, instalada en un Centro de Piezas y Servicio de Reparaciones de Sears.

	<b>PROPOSICIÓN 65 DEL ESTADO DE CALIFORNIA</b> <b>ADVERTENCIA:</b> Los gases de escape, algunos de sus componentes y determinados productos terminados contienen o emiten productos químicos de los que el estado de California tiene conocimiento provocan cáncer, malformaciones congénitas u otros daños al sistema reproductor. Lávese las manos después de manipularlos.
--	--

**Lea el manual del operador y siga todas las advertencias e instrucciones de seguridad. No hacerlo puede ocasionar lesiones graves al operador y/o a las personas presentes.**

## • INSTRUCCIONES DE SEGURIDAD IMPORTANTES •

### LEA TODAS LAS INSTRUCCIONES ANTES DE OPERAR LA UNIDAD



**ADVERTENCIA:** Al usar la unidad deben seguirse todas las normas de seguridad. Lea estas instrucciones antes de operar la unidad a fin de garantizar la seguridad del operador y de cualquier otra persona presente. Guarde estas instrucciones para poder usarlas más adelante.

- Lea detenidamente las instrucciones. Familiarícese con los controles y el uso adecuado de la unidad.
- No opere esta unidad si está cansado, enfermo o bajo los efectos del alcohol, drogas o medicamentos.
- Los niños y adolescentes menores de 15 años no deben usar la unidad. Los adolescentes pueden hacerlo bajo la supervisión de un adulto.
- Todos los accesorios de protección y seguridad deben estar instalados adecuadamente antes de comenzar a operar la unidad.
- Inspeccione la unidad antes de utilizarla. Reemplace las piezas dañadas. Verifique que no haya fugas de combustible. Asegúrese de que todos los sujetadores estén en su sitio y asegurados. Cambie las piezas rajadas, melladas o dañadas de cualquier forma. No opere la unidad si hay piezas flojas o dañadas.
- Inspeccione cuidadosamente el área antes de encender la unidad. Elimine todos los escombros y los objetos duros o filosos tales como cristales, alambres, etc.
- Tenga en cuenta el riesgo de lesiones a la cabeza, las manos y los pies.
- Limpie el área a recortar antes de cada uso. Retire las piedras, vidrios rotos, clavos, alambres, cadenas y otros objetos que podrían salir despedidos o enredarse en el accesorio de corte. Aleje a los niños, personas presentes y animales domésticos del área; manténgalos fuera de un radio de 50 pies (15 m) como mínimo. Aún así es posible que se arriesguen a ser golpeados por los objetos lanzados. Sugiera a los presentes usar protección para los ojos. Si alguien se le acerca, pare la unidad inmediatamente.
- Apriete el control del regulador y compruebe que regresa automáticamente a la posición de marcha en vacío. Haga todos los ajustes o reparaciones antes de usar la unidad.

### ADVERTENCIAS DE SEGURIDAD PARA UNIDADES DE GASOLINA



**ADVERTENCIA:** La gasolina es sumamente inflamable y, de prenderse, sus vapores pueden hacer explosión. Tome las siguientes precauciones:

- Almacene el combustible solo en los recipientes diseñados y aprobados específicamente para estos materiales.
- Pare siempre el motor y deje que se enfríe antes de llenar el tanque. Nunca quite la tapa del tanque de combustible ni eche combustible cuando el motor esté caliente. Antes de llenar el tanque, siempre afloje la tapa lentamente para disipar la presión del mismo.
- Mezcle o eche siempre el combustible en un área exterior bien ventilada y limpia, donde no haya chispas ni llamas. NO fume.
- No opere nunca la unidad si la tapa del combustible no está bien asegurada en su lugar.
- Evite el peligro de incendio debido a combustible derramado. Limpie de inmediato todo combustible derramado de la unidad antes de encenderla. Antes de arrancar el motor, aleje la unidad a una distancia de 30 pies (9.1 m) como mínimo del lugar de abasto de combustible. NO fume.

- No arranque ni use nunca la unidad dentro de una habitación o edificio cerrados. Inhalar los gases de escape puede ser fatal. Opere esta unidad solamente en un área exterior bien ventilada.

### AL OPERAR LA UNIDAD

- Lleve puestas gafas o lentes de seguridad que cumplan las normas ANSI Z87.1-1989 y estén marcados como tales. Use siempre protección para los oídos al operar esta unidad. Si la operación levanta polvo, lleve puesta una máscara facial o contra el polvo.
- Use pantalones largos y gruesos, botas, guantes y camisa de mangas largas. No use ropa holgada, alhajas, pantalones cortos, sandalias ni ande descalzo. Asegure su cabello por encima del nivel de los hombros.
- Esta unidad tiene un embrague. Los dientes permanecen estacionarios cuando el motor trabaja en vacío. De no hacerlo, lleve la unidad a Sears o a otro distribuidor de servicio calificado para un ajuste.
- Antes de arrancar la unidad, asegúrese de que los dientes no estén haciendo contacto con ningún objeto.
- Use la unidad únicamente a la luz del día o con buena luz artificial.
- Evite los arranques accidentales. Póngase en la posición de arranque siempre que tire de la cuerda. El operador y la unidad deben estar en una posición estable durante el arranque. Consulte la sección *Arranque y Parada*.
- Use la herramienta correcta. Use esta herramienta solamente con el propósito previsto.
- Ponga extremo cuidado al dar marcha atrás o retroceder la unidad.
- No intente alcanzar demasiado lejos. Mantenga siempre una posición y equilibrio adecuados. Tenga mucho cuidado cuando esté trabajando en pendientes pronunciadas o inclinadas.
- Sostenga siempre la unidad con ambas manos al operarla. Agarre firmemente ambos mangos o empuñaduras.
- Mantenga las manos, la cara y los pies lejos de todas las partes móviles. No toque ni trate de detener los dientes cuando estén girando.
- No toque el motor ni el silenciador. Estas partes se ponen extremadamente calientes durante la operación y aún después de apagada la unidad.
- No opere el motor a una velocidad mayor que la necesaria para cultivar. No ponga a funcionar el motor a alta velocidad si no está cultivando.
- Apague siempre el motor cuando el cultivo se demore o al caminar de un lugar de cultivo a otro.
- Si golpea o se enreda con un objeto extraño, pare de inmediato el motor y verifique si hay algún daño. No ponga a funcionar el equipo sin reparar el daño. No opere la unidad si hay piezas flojas o dañadas.
- Apague el motor y desconecte la bujía para darle mantenimiento o hacer reparaciones.
- Utilice solamente las piezas de repuesto y accesorios del fabricante original que se listan en la sección Lista de piezas de este manual. El uso de cualquier pieza o accesorio no autorizado podría causar lesiones graves al usuario o daños a la unidad y anular la garantía.
- Mantenga la unidad limpia de vegetación y otros materiales que puedan trabarse entre los dientes y el protector.
- Para evitar el peligro de incendio, reemplace el silenciador y parachispas defectuosos. Mantenga el motor y el silenciador sin hierbas, hojas, grasa excesiva y sin acumulación de carbón.

## OTRAS ADVERTENCIAS DE SEGURIDAD

- No guarde nunca la unidad con combustible en el tanque ni dentro de una edificación en la que los gases puedan ponerse en contacto con una llama expuesta (luces piloto, etc.) o chispas (interruptores, motores eléctricos, etc.).
- Espere a que el motor se enfríe para guardar o transportar la unidad. Cerciórese de asegurar bien la unidad al transportarla.
- Guarde la unidad en un lugar seco, bajo llave o en alto, a fin de evitar su uso no autorizado o daño. Manténgala fuera del alcance de los niños.








- Nunca moje ni rocíe la unidad con agua ni con ningún otro líquido. Mantenga las manijas secas, limpias y sin residuos. Limpie la unidad luego de cada uso, lea las instrucciones de Limpieza y Almacenamiento.
- Limpie los dientes con un limpiador casero para eliminar la acumulación de resina. Engrase los dientes con aceite de máquina para evitar la corrosión.
- Guarde estas instrucciones. Consúltelas con frecuencia y utilícelas para instruir a otros usuarios. Si le presta esta unidad a alguien, préstele también estas instrucciones.

## GUARDE ESTAS INSTRUCCIONES

### • SIMBOLOS DE SEGURIDAD E INTERNACIONALES •

Este manual del operador describe los símbolos y figuras de seguridad e internacionales que pueden aparecer en este producto. Lea el manual del operador para obtener información completa acerca de la seguridad, ensamble, operación y mantenimiento y reparación.

#### SIMBOLO SIGNIFICADO

	<ul style="list-style-type: none"> <li>• <b>SIMBOLO DE ALERTA DE SEGURIDAD</b> Indica peligro, advertencia o precaución. Puede ser utilizado junto con otros símbolos o figuras.</li> </ul>
	<ul style="list-style-type: none"> <li>• <b>ADVERTENCIA - LEA EL MANUAL DEL OPERADOR</b> Lea el manual del operador y siga todas las advertencias e instrucciones de seguridad. De no hacerlo, el operador y/o los espectadores pueden sufrir graves lesiones.</li> </ul>
	<ul style="list-style-type: none"> <li>• <b>USE PROTECCION OCULAR Y AUDITIVA</b> <b>ADVERTENCIA:</b> Los objetos arrojados por la unidad y el ruido fuerte pueden causar graves lesiones oculares y pérdida auditiva. Utilice protección ocular que cumpla con las normas ANSI Z87.1-1989 y protección auditiva cuando opere esta unidad. Use una careta completa cuando la necesite.</li> </ul>
	<ul style="list-style-type: none"> <li>• <b>COMBUSTIBLE SIN PLOMO</b> Use siempre combustible limpio, nuevo y sin plomo.</li> </ul>
	<ul style="list-style-type: none"> <li>• <b>INDICADOR DE ACEITE</b> Consulte el manual del operador para obtener información acerca del tipo correcto de aceite.</li> </ul>
	<ul style="list-style-type: none"> <li>• <b>NO USE COMBUSTIBLE E85 EN ESTA UNIDAD</b> <b>ADVERTENCIA:</b> Se ha comprobado que es probable que el combustible con más de un 10% de etanol dañe este motor, lo que anulará la garantía.</li> </ul>
	<ul style="list-style-type: none"> <li>• <b>CONTROL DE ENCENDIDO Y APAGADO</b> ENCENDIDO /ARRANQUE /MARCHA</li> </ul>
	<ul style="list-style-type: none"> <li>• <b>CONTROL DE ENCENDIDO Y APAGADO</b> APAGADO o PARADO</li> </ul>
	<ul style="list-style-type: none"> <li>• <b>BOMBILLA DEL CEBADOR</b> Oprima la bombilla del cebador completa y lentamente, de 10 veces.</li> </ul>

#### SIMBOLO SIGNIFICADO

	<ul style="list-style-type: none"> <li>• <b>MANTENGA ALEJADOS A LOS ESPECTADORES</b> <b>ADVERTENCIA:</b> Mantenga a todos los espectadores, en especial a niños y animales domésticos a por lo menos 50 pies (15 m) del área de corte.</li> </ul>
	<ul style="list-style-type: none"> <li>• <b>LOS OBJETOS DESPEDIDOS Y LA CUCHILLA ROTATIVA PUEDEN CAUSAR GRAVES LESIONES</b> <b>ADVERTENCIA:</b> No opere esta unidad si la protección plástica de línea no está colocada en su lugar. Manténgase alejado del accesorio de corte giratorio.</li> </ul>
	<ul style="list-style-type: none"> <li>• <b>ADVERTENCIA DE SUPERFICIE CALIENTE</b> No toque un silenciador ni un cilindro caliente. Puede quemarse. Estas partes se calientan mucho con el uso. Luego de apagarse permanecen calientes durante un corto tiempo.</li> </ul>
	<ul style="list-style-type: none"> <li>• <b>CULTIVADORES PARA JARDINES - LAS PÚAS GIRATORIAS PUEDEN CAUSAR GRAVES LESIONES</b> <b>ADVERTENCIA:</b> Apague el motor y espere que las púas se detengan antes de instalar o sacar las púas, o antes de realizar la limpieza o todo tipo de mantenimiento. Mantenga las manos y los pies lejos de las púas giratorias.</li> </ul>
	<ul style="list-style-type: none"> <li>• <b>NO SE PARE</b> Mantenga siempre una posición y equilibrio adecuados. No se estire demasiado, tenga mucho cuidado cuando trabaje en declives y pendientes empinadas.</li> </ul>
	<ul style="list-style-type: none"> <li>• <b>COLOQUE EL PIE DERECHO AQUÍ</b> Evite los arranques accidentales. Colóquese en posición de inicio siempre que tire de la cuerda de arranque. El operador y la unidad deben estar en una posición estable al comenzar.</li> </ul>

# GARANTÍA

## GARANTÍA TOTAL POR DOS AÑOS CRAFTSMAN

Este producto se garantiza POR DOS AÑOS a partir de la fecha de compra, contra cualquier defecto de materiales o mano de obra. Un producto defectuoso se reparará sin costo alguno o se reemplazará si no es posible repararlo.

**Para conocer los detalles de la cobertura de garantía para la reparación o reemplazo gratuitos, visite el sitio web: [www.craftsman.com](http://www.craftsman.com)**

**Esta garantía cubre SOLAMENTE defectos de materiales o mano de obra. La cobertura de garantía NO incluye:**

- Artículos consumibles que se desgasten debido al uso normal dentro del período de la garantía, tales como cuchillas, dientes o correas.
- Los daños al producto a consecuencia de intentos de modificación o reparación del usuario u ocasionados por accesorios del producto.
- Las reparaciones necesarias por un accidente o por no operar o mantener el producto de acuerdo con todas las instrucciones suministradas.
- El mantenimiento preventivo ni las reparaciones necesarias debido a una mezcla incorrecta de combustible o a al uso de un combustible viejo o contaminado.

Esta garantía se anula si el producto en algún momento se utiliza para prestar servicios comerciales o se alquila a otra persona.

Esta garantía le confiere a usted derechos legales específicos y usted puede tener, además, otros derechos que difieren de un estado a otro.

Sears Brands Management Corporation, Hoffman Estates, IL 60179

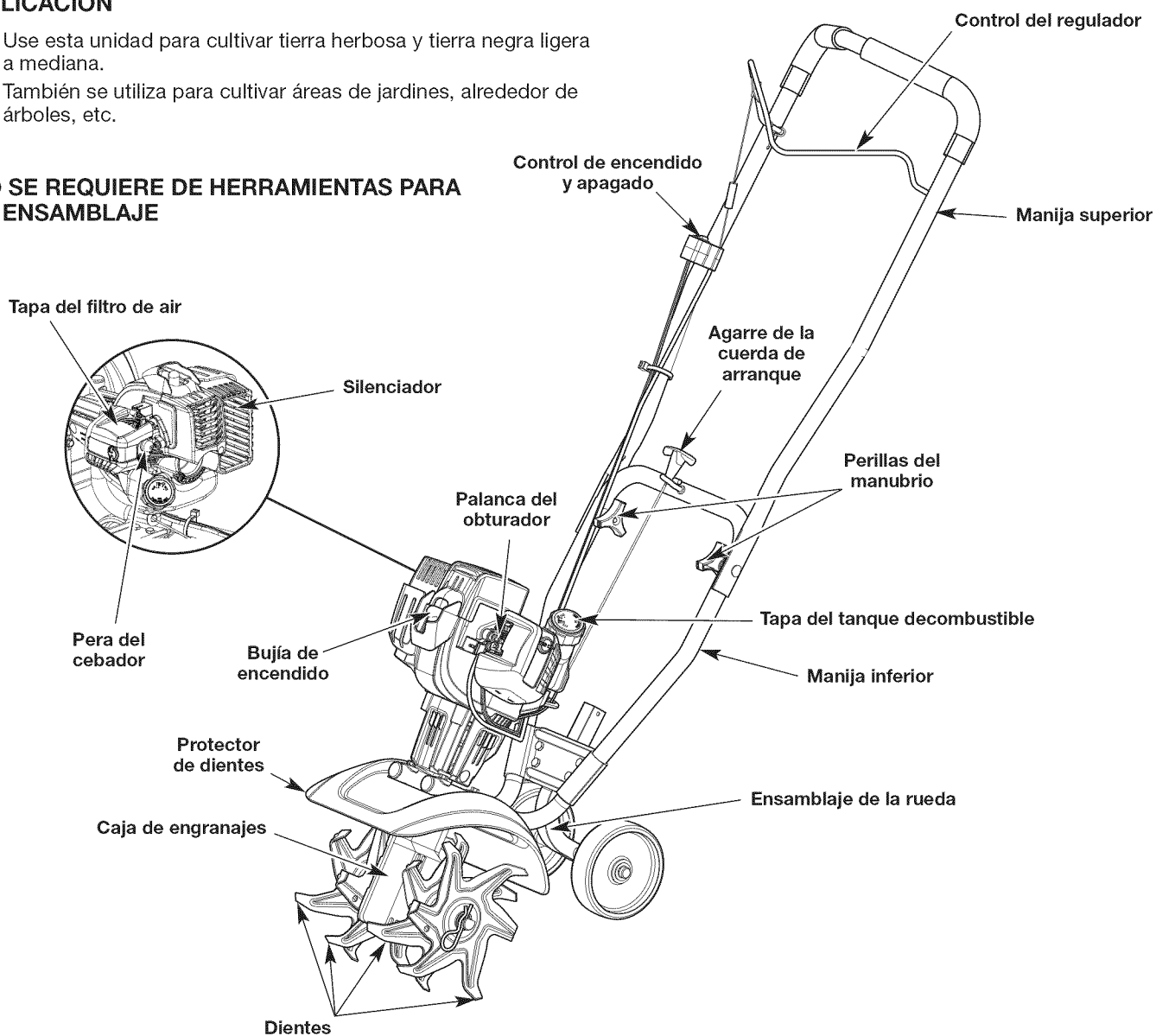
**PARA PREGUNTAS SOBRE SEGURIDAD, OPERACIÓN Y MANTENIMIENTO MIENTRAS DURE LA GARANTÍA O PARA ORDENAR PIEZAS Y PROGRAMAR EL SERVICIO DE REPARACIÓN, LLAME AL 1-800-4-MY-HOME®.**

## CONOZCA SU UNIDAD

### APLICACION

- Use esta unidad para cultivar tierra herbosa y tierra negra ligera a mediana.
- También se utiliza para cultivar áreas de jardines, alrededor de árboles, etc.

### NO SE REQUIERE DE HERRAMIENTAS PARA EL ENSAMBLAJE



## ESPECIFICACIONES\*

Tipo de motor	Enfriado por aire, de 2 ciclos
Desplazamiento	25 cm <sup>3</sup>
R.P.M. de velocidad mínima	2,600 - 3,600 r.p.m.
R.P.M. de operación	7,800+ r.p.m.
Tipo de embrague	Centrífugo
Separación de la bujía de encendido	0.635 mm (0.025 pulg.)
Lubricación	Mezcla de combustible y aceite
Proporción de combustible y aceite	40:1
Capacidad del tanque de combustible	295 ml (10 onzas)
Ancho de la trayectoria de cultivo (Máximo)	22.86 cm (9 pulgadas)
Profundidad de cultivo (Máximo)	12.70 cm (5 pulgadas)
Peso (sin combustible)	12 kg (26 libras)

\* Todas las especificaciones se basan en la información del producto más reciente disponible en el momento de la impresión. Nos reservamos el derecho de hacer cambios en cualquier momento sin previo aviso.

## ENSAMBLE DE LA UNIDAD

Desembale con cuidado el contenido y verifique que no haya piezas dañadas.

## INSTALACIÓN Y AJUSTE DEL ENSAMBLAJE DE LA RUEDA



**ADVERTENCIA:** Para evitar lesiones personales graves, el ensamblaje de la rueda debe ser instalado antes de poner en funcionamiento la unidad.



**ADVERTENCIA:** Cuando instale el ensamblaje de la rueda y para evitar lesionarse con los dientes, use guantes resistentes y camisa de mangas largas.

### Instalar el ensamblaje de la rueda

1. Apoye la unidad sobre un costado (Fig. 1).
2. Inserte el ensamblaje dentro de la guía de la rueda (Fig. 1)
3. Inserte el pasador de horquilla a través de la guía y el ensamblaje de la rueda y asegúrelo en su lugar con la chaveta (Fig. 1).

**NOTA:** Antes de utilizar la unidad, puede que sea necesario ajustar la posición del ensamblaje de la rueda.

### Ajustar el ensamblaje de la rueda



**ADVERTENCIA:** Antes de inspeccionar, limpiar o dar mantenimiento a la unidad, apague el motor, espere a que todas las partes en movimiento se detengan. No seguir estas instrucciones puede traer como consecuencia lesiones personales graves o daños a la propiedad.

1. Apoye la unidad sobre un costado (Fig. 1).
2. Quite la chaveta y el pasador de horquilla de la guía y el ensamblaje de la rueda (Fig. 1).
3. Ajuste la altura moviendo el ensamblaje de la rueda a lo largo de la guía de la misma.
4. Inserte el pasador de horquilla a través de la guía y el ensamblaje de la rueda y asegúrelo en su lugar con la chaveta (Fig. 1).

**NOTA:** Si baja el ensamblaje de la rueda aumentará su altura. Si sube el ensamblaje de la rueda disminuirá su altura.

## COLOCACION DEL MANUBRIO

1. Afloje las dos perillas del lado interior del manubrio (Fig. 3).
2. Con la unidad en posición vertical, gire el manubrio hacia arriba hasta la posición de operación (Fig. 2).

**NOTA:** Tenga cuidado de no pellizcar el cable del regulador o los cables del interruptor cuando coloque el manubrio (Fig. 3).

3. Ajuste las perillas para asegurar el manubrio en su lugar (Fig. 3).

**NOTA:** No ajuste las perillas demasiado.

4. Vuelva a ajustar el cable del regulador y los cables del interruptor de modo que queden parejos y estirados contra el ensamble del manubrio. Esto evitará que se aprisionen o se desbarben durante la operación normal.

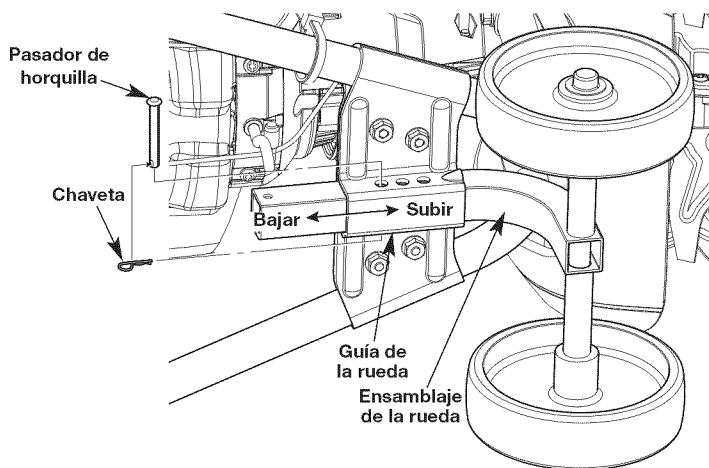


Fig. 1

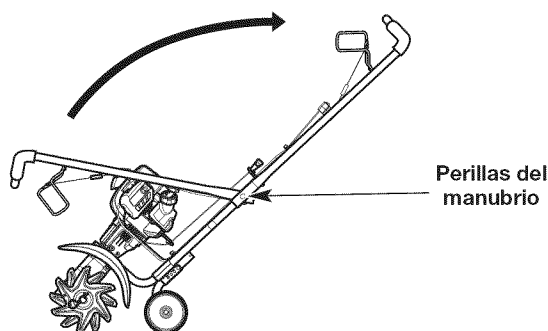


Fig. 2

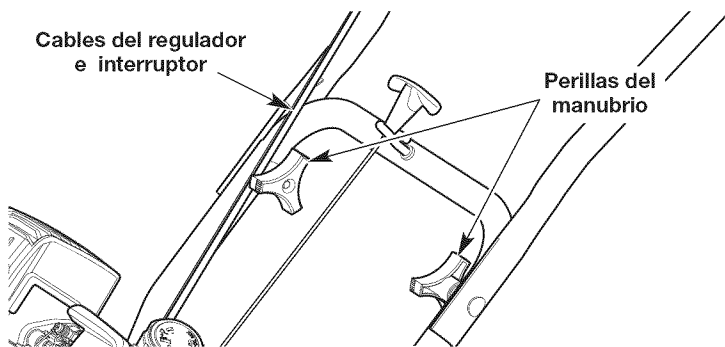


Fig. 3

## ACEITE Y COMBUSTIBLE

### INSTRUCCIONES PARA MEZCLAR EL ACEITE Y EL COMBUSTIBLE

El uso de un combustible viejo y/o mal mezclado es la causa más común de problemas de funcionamiento. Utilice solamente gasolina fresca, limpia y sin plomo. Siga atentamente las instrucciones para mezclar adecuadamente el aceite/combustible.

#### Definición de combustibles mezclados


Los combustibles actuales son con frecuencia una mezcla de gasolina e hidrocarburos oxigenados como el etanol, metanol o MTBE (éter). El combustible mezclado con alcohol absorbe agua. Un 1% de agua es suficiente para separar la mezcla de aceite y alcohol o formar ácidos al estar guardado. Utilice SIEMPRE combustible fresco (con menos de 30 días).

**NOTA:** Deseche el aceite viejo, de conformidad con las regulaciones federales, estatales y locales.

#### Uso de combustibles mezclados

Si utiliza un combustible mezclado:

- Utilice siempre la mezcla fresca de combustible indicada en su manual del operador
- Use el aditivo STA-BIL® o un equivalente
- Agite siempre la mezcla de combustible antes de abastecer la unidad
- Vacíe el tanque y eche a andar el motor en seco antes de guardar la unidad


	<b>ADVERTENCIA: NO USE COMBUSTIBLE E85 EN ESTA UNIDAD.</b> Se ha comprobado que es probable que el combustible con más de 10% de etanol dañe este motor, lo que anulará la garantía.
--	--

#### Uso de aditivos para combustible



La botella de aceite para motor de 2 tiempos que viene con esta unidad contiene un aditivo que ayudará a inhibir la corrosión y minimizará los depósitos de goma. Utilice siempre la marca de aceite para motor de 2 tiempos que viene con esta unidad. Si no es posible, utilice un buen aceite para motores de 2 tiempos enfriados por aire y mézclelo con un aditivo como el estabilizador de gasolina STA-BIL o un equivalente. Eche 0.8 onzas (23 ml) de aditivo por galón de combustible según las instrucciones del recipiente. No eche NUNCA los aditivos directamente en el tanque de combustible de la unidad.

#### Mezclar el combustible

**NOTA:** Esta unidad trae un frasco de 3.2 onzas de aceite para motor de 2 tiempos. Para que la mezcla de combustible descrita anteriormente sea la correcta, échele la botella completa a un galón de gasolina sin plomo.


	<b>PRECAUCIÓN:</b> Para el funcionamiento adecuado y máxima confiabilidad del motor, hay que prestar rigurosa atención a las instrucciones para mezclar el aceite y la gasolina que están en la botella del aceite para motores de 2 tiempos. Usar un combustible mal mezclado puede dañar seriamente el motor.
---	---


Mezcle bien la proporción adecuada de gasolina sin plomo y aceite para motor de 2 tiempos. No los mezcle directamente en el tanque de combustible de la unidad. Utilice una lata aparte para combustible. Use una proporción de combustible/aceite 40:1. Vea en la tabla a continuación las proporciones específicas de gasolina y aceite.


	
<b>Gasolina sin plomo</b>	<b>Aceite para motor de 2 tiempos</b>
1 galón EE.UU. (3.8 litros)	3.2 onzas fluidas (95 ml)
1 litro	25 ml

PROPORCIÓN - 40:1

#### ABASTECER DE COMBUSTIBLE LA UNIDAD

	<b>ADVERTENCIA:</b> La gasolina es sumamente inflamable. De prenderse, los vapores pueden hacer explosión. Pare siempre el motor y deje que se enfríe antes de llenar el tanque de combustible. No fume mientras llena el tanque. Aléjese de los lugares donde haya chispas y llamas expuestas.
---	---

	<b>ADVERTENCIA:</b> Quite lentamente la tapa de combustible a fin de evitar lesiones por salpicaduras. No opere nunca la unidad si la tapa del combustible no está bien asegurada en su lugar.
---	--

	<b>ADVERTENCIA:</b> Eche el combustible en un área exterior bien ventilada y limpia. Limpie de inmediato todo el combustible derramado. Evite el peligro de incendio debido a combustible derramado. No arranque el motor hasta que no se hayan disipado los vapores de combustible.
---	--

1. Coloque la unidad con la tapa del tanque de combustible mirando hacia arriba.
2. Quítele la tapa al tanque.
3. Coloque la boquilla del depósito de gasolina en el orificio de llenado del tanque de combustible y llénelo.

**NOTA:** No rebose el tanque.

4. Limpie todo el combustible que pueda haberse derramado.
5. Vuelva a ponerle la tapa al tanque de gasolina.
6. Antes de arrancar el motor, aleje la unidad a una distancia de 30 pies (9.1 m) como mínimo del lugar de abasto de combustible.

## ARRANQUE Y PARADA



**ADVERTENCIA:** Opere esta unidad solamente en un área exterior bien ventilada. El monóxido de carbono de los gases de escape puede ser letal en un área confinada.



**ADVERTENCIA:** Evite arrancar la unidad por accidente. A fin de evitar lesiones graves, el operador y la unidad deben estar en una posición estable al tirar de la cuerda de arranque (Fig. 7).

### INSTRUCCIONES DE ARRANQUE

1. Mezcle la gasolina con el aceite. Consulte las *Instrucciones para mezclar el aceite y el combustible*.
2. Llene el tanque de combustible. Consulte *Abastecer de combustible la unidad*.

**NOTA:** No hay necesidad de encender la unidad. El interruptor de Encendido/Apagado debe estar en la posición ENCENDIDO (I) en todo momento (Fig. 4).

3. Oprima y suelte despacio la pera del cebador **10 veces** (Fig. 5). Si no se ve combustible en la pera del cebador, oprima y suelte la pera hasta que se vea el combustible.
4. Dé vuelta a la palanca del obturador en sentido de las agujas del reloj hasta que encaje en su lugar (Fig. 6).
5. Párese en la posición de arranque (Fig. 7). Sostenga el manubrio y con una mano. Sostenga la cuerda de arranque con la otra mano. Use el pie para aguantar las ruedas.

**NOTA:** Tenga siempre la unidad ligeramente inclinada para que los dientes estén separados del suelo al arrancarla (Fig. 6).

6. **NO** oprima el control del regulador (Fig. 4). Tire de la cuerda con movimiento controlado y firme hasta que la unidad arranque.

**NOTA:** Esta unidad utiliza el sistema de arranque **INCREDI-PULL™**, que reduce notablemente el esfuerzo necesario para arrancar el motor.

7. Ponga el motor en posición de marcha en vacío durante 5 a 10 segundos. Si la unidad se detiene durante este tiempo, presione el control del regulador y tire de la cuerda de arranque con movimiento firme y controlado hasta que la unidad arranque.
8. Oprima el control del regulador y manténgalo presionado. Deje que el motor se caliente de 30 a 60 segundos.

**NOTA:** Cuando el motor acelera sin fallar, la unidad ya se calentó como es debido.

**SI...** el motor no arranca, regrese al paso 3.

**SI...** la unidad está caliente y no arranca después de haber tirado 3 veces de la cuerda de arranque, oprima el control del regulador y tire de la cuerda con un movimiento controlado y firme hasta que la unidad arranque.

### INSTRUCCIONES DE APAGADO

1. Suelte el control del regulador y deje que el motor trabaje en vacío.
2. Oprima y no suelte el interruptor de control de Encendido y Apagado en la posición APAGADO (O) hasta que el motor se detenga por completo (Fig. 4).

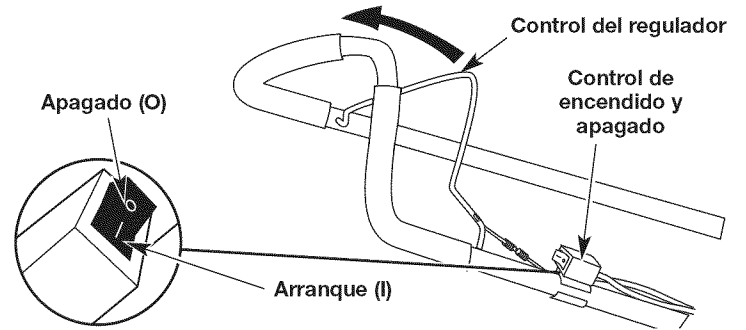


Fig. 4

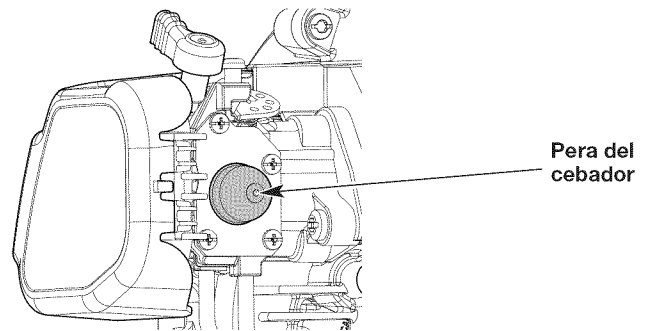


Fig. 5

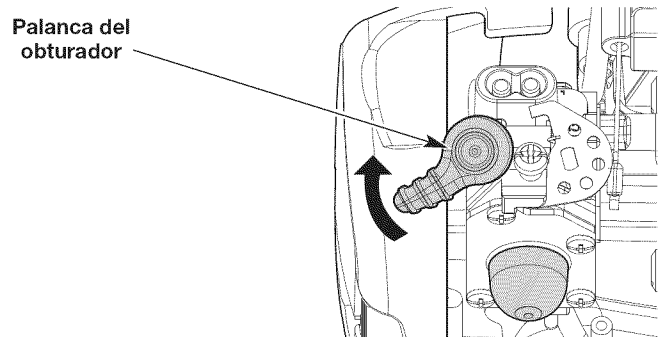


Fig. 6



Fig. 7



**ADVERTENCIA:** Vista en forma adecuada para reducir el riesgo de lesiones cuando opere esta unidad. No use ropa holgada ni alhajas. Use protección ocular y auditiva. Use pantalones largos y gruesos, botas y guantes. No use pantalones cortos, sandalias ni trabaje descalzo.

## CONSEJOS PARA LA OPERACION

1. Transporte el cultivador hacia el área de trabajo antes de arrancar el motor. Consulte *Mover la unidad*.



**ADVERTENCIA:** Para evitar graves lesiones personales, nunca levante ni transporte la unidad con el motor en marcha.

2. Arranque la unidad siguiendo las *Instrucciones de arranque*.
3. Sin apoyar los dientes en el suelo, apriete el control del regulador para aumentar la velocidad del motor.
4. Sujete firmemente el manubrio con ambas manos y baje lentamente la unidad hasta que los dientes se pongan en contacto con el terreno (Fig. 8).
5. A medida que comienza la actividad de cultivo, mueva el cultivador hacia atrás de modo que las púas puedan penetrar en la tierra.



**ADVERTENCIA:** Para evitar graves lesiones personales, tenga mucho cuidado cuando invierta o gire la unidad hacia usted.

6. Una vez que se ha abierto la tierra, continúe a un ritmo moderado hasta que conozca bien los controles y el manejo del cultivador.
7. Mueva el cultivador hacia atrás para mejorar la profundidad de cultivo y reducir su esfuerzo.
8. Si las púas están cavando a una profundidad excesiva o insuficiente, ajuste las púas de acuerdo a la sección *Ajuste de la profundidad de las púas*.

## AJUSTE DE LA PROFUNDIDAD

Los dientes deberían entrar de 4 a 5 pulgadas en la mayoría de los suelos de jardín. De ser necesario, ajuste los dientes como sigue:

1. Apague el motor y espere que se enfríe. Tome el alambre de la bujía con firmeza y sáquelo de la bujía de encendido.
2. Para que los dientes entren a menos profundidad, suba la altura de la rueda, de lo contrario, baje la altura de la rueda. Remítase a *Ajustar el ensamblaje de la rueda* en la sección *Instrucciones de ensamblaje*.
3. Vuelva a conectar el cable de la bujía de encendido y continúe su uso.

## MOVER LA UNIDAD



**ADVERTENCIA:** Para evitar lesiones personales graves, apague siempre el motor cuando la operación se demore o al mover la unidad de un lugar a otro.

1. Apague el motor.
2. Incline la unidad hacia atrás hasta que las púas desmalezan la tierra.
3. Empuje o lleve la unidad hasta el próximo lugar que deba cultivar.



Fig. 8



**ADVERTENCIA:** Para evitar lesiones graves, no haga nunca ningún mantenimiento ni reparación con la unidad funcionando. Siempre deje que la unidad se enfríe antes de darle mantenimiento o repararla. Desconecte el cable de la bujía para evitar que la unidad arranque por accidente.

## PLAN DE MANTENIMIENTO

Lleve a cabo los procedimientos necesarios de mantenimiento con la frecuencia indicada en la tabla. Estos procedimientos deberán también formar parte de cualquier ajuste de temporada.

**NOTA:** Es posible que algunos procedimientos de mantenimiento requieran herramientas o habilidades especiales. Si no está seguro de poder llevar a cabo estos procedimientos, lleve la unidad a Sears u otro distribuidor de servicio calificado. Para más información, llame al **1-800-4-MY-HOME**.

**NOTA:** Es conveniente que el mantenimiento, reemplazo o reparación de los dispositivos y sistemas de control de emisiones se lleven a cabo en Sears u otro distribuidor de servicio calificado. Para más información, llame al **1-800-4-MY-HOME**.

**NOTA:** Para ver la lista completa de términos y la cobertura de los dispositivos de control de emisiones como parachispas, silenciador, carburador, etc., lea la declaración de California/EPA que viene junto con la unidad.

FRECUENCIA	MANTENIMIENTO NECESARIO
Cada 10 horas	Limpiar y volver a engrasar el filtro de aire. Consulte <i>Mantenimiento del filtro de aire</i> .
Cada 25 horas	Comprobar el estado y abertura de la bujía. Consulte <i>Mantenimiento de la bujía</i> .

## REMOCION Y REPOSICION DE LAS PUAS



**ADVERTENCIA:** Para evitar graves lesiones personales, use siempre guantes gruesos cuando maneje las púas.

**NOTA:** Todas las instrucciones de instalación se explican desde la posición de funcionamiento.

Las 4 púas deben cambiarse al mismo tiempo debido a que se desgastarán en forma pareja con el uso normal. Trabaje en un lado por vez.

1. Apague el motor y espere que se enfríe. Tome el alambre de la bujía con firmeza y sáquelo de la bujía de encendido.
2. Coloque la parte posterior de la cultivadora sobre una superficie plana con las manijas tocando el suelo de manera que la cultivadora quede en posición horizontal.

**NOTA:** Para poder sacar los dientes más fácilmente, es posible que sea necesario lavar los dientes y el eje para quitar la suciedad.

3. Quite los pasadores de trinquete de cada uno de los extremos del eje de los dientes (Fig. 9). Saque los dientes deslizándolos del eje.
4. Limpie y engrase el eje.
5. Coloque los dientes nuevos deslizándolos en su lugar con los núcleos mirando uno hacia el otro (Fig. 9).

**NOTA:** Cada uno de los dientes tiene un lado convexo. Asegúrese de que todos los lados convexos queden mirando como se muestra en la Figura 9.

6. Asegure los dientes nuevos al eje con los pasadores de trinquete (Fig. 9).
7. Vuelva a conectar el cable de la bujía de encendido.

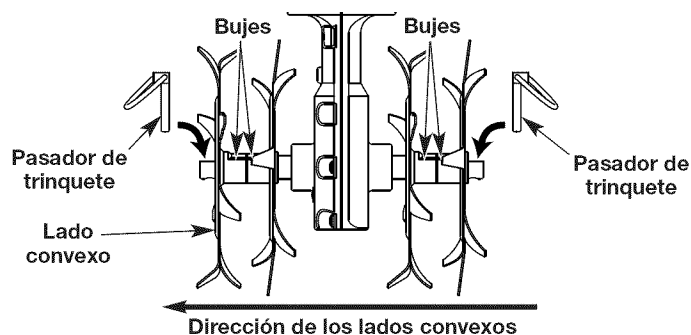


Fig. 9

## MANTENIMIENTO DEL FILTRO DE AIRE

### Limpiar el filtro de aire

No mantener debidamente su filtro de aire puede resultar en funcionamiento inadecuado o puede causar daño permanente a su motor.

1. Abra la tapa del filtro de aire desenroscando el tornillo correspondiente (Fig. 10).
2. Saque el filtro de aire y la pantalla que está detrás del mismo (Fig. 10).
3. Lave el filtro con detergente y agua. Enjuague bien el filtro y déjelo secar.
4. Aplique suficiente aceite limpio de motor SAE 30 para recubrir ligeramente el filtro.
5. Exprima el filtro para esparcir y eliminar el exceso de aceite.
6. Reemplace el filtro de aire y la pantalla que está detrás del mismo (Fig. 10).

**NOTA:** Si opera la unidad sin el filtro de aire, **ANULARÁ** la garantía.

7. Vuelva a ponerle la tapa al filtro de aire. Inserte los ganchos de la caja del filtro de aire en las ranuras de la tapa del filtro (Fig. 11).
8. Gire la tapa del filtro de aire a la derecha y alinee el tornillo de la tapa con el orificio correspondiente (Fig. 11). Apriete el tornillo para asegurar la tapa del filtro de aire.

**NOTA:** No apriete demasiado ya que puede dañar la rosca.

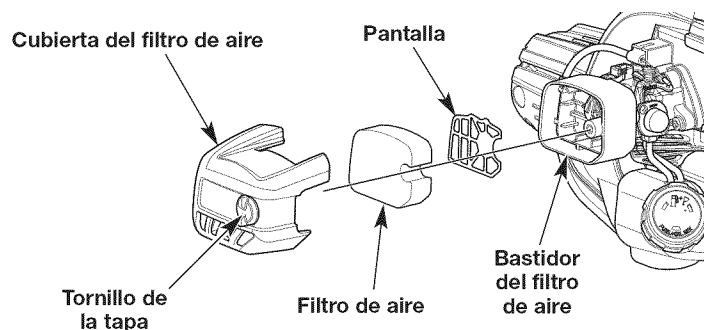


Fig. 10

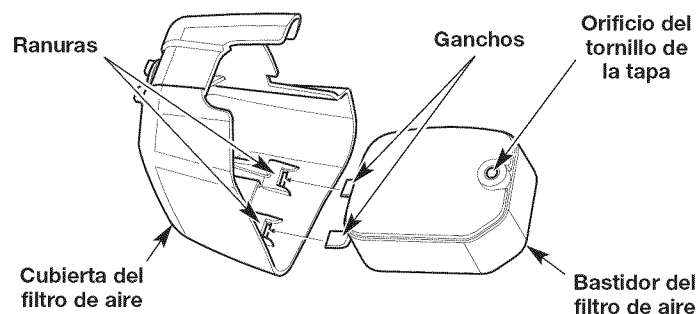


Fig. 11

## AJUSTE DE LA VELOCIDAD DE MARCHA EN VACÍO



**ADVERTENCIA:** Los dientes pueden girar durante los ajustes de marcha en vacío. Use ropa que lo proteja y cumpla con todas las instrucciones de seguridad para prevenir graves lesiones personales.

**NOTA:** Los ajustes negligentes pueden dañar seriamente la unidad. Los ajustes del carburador debe hacerlos un distribuidor de Sears u otro distribuidor de servicio calificado.

Si luego de verificar la mezcla del combustible y limpiar el filtro de aire el motor aún no funciona en mínima, ajuste el tornillo de velocidad lenta de la siguiente manera.

1. Arranque el motor y déjelo funcionar durante 2-3 minutos a alta velocidad (regulación plena) para que se caliente. Lea las *Instrucciones de Arranque y Apagado*.

**NOTA:** Verifique que las púas no estén en contacto con el suelo cuando ajuste la marcha lenta.

2. Suelte el gatillo del regulador y deje que el motor funcione en marcha lenta. Si el motor se apaga, use un destornillador pequeño Phillips para girar el tornillo de marcha en vacío en el **sentido de las agujas del reloj**, dándole 1/8 de vuelta cada vez (según sea necesario), hasta que el motor funcione en marcha en vacío sin inconvenientes (Fig. 12).

**NOTA:** Las púas no deben girar cuando el motor está en mínima.

3. Si las púas giran cuando el motor está en mínima, gire el tornillo de marcha lenta en **sentido antihorario** 1/8 de vuelta por vez (según sea necesario) para reducir la marcha lenta.

El control de la mezcla de combustible, la limpieza del filtro de aire y el ajuste del tornillo de marcha lenta deben resolver la mayoría de los problemas del motor. En caso contrario y de no cumplirse ninguna de las siguientes condiciones, lleve la unidad a Sears o a otro distribuidor de servicio calificado:

- el motor no funciona en marcha en vacío
- el motor falla o se cala al acelerar
- hay una pérdida de potencia del motor

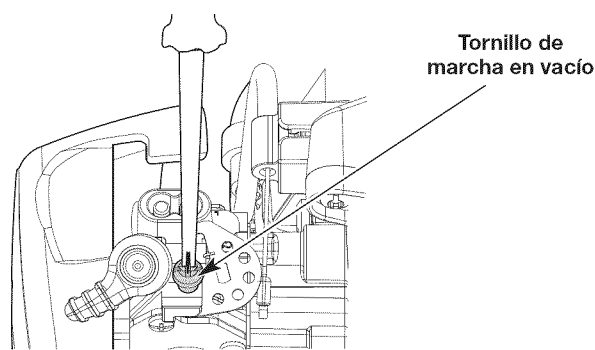


Fig. 12

## MANTENIMIENTO

### MANTENIMIENTO DE LA BUJÍA

1. Detenga el motor y déjelo enfriar. Agarre firmemente la pipa (capucha) y sáquela de la bujía.
2. Limpie alrededor de la bujía. Saque la bujía de la culata girándola en sentido contrario a la agujas del reloj con una llave de bujía de 5/8 de pulgada.



**ADVERTENCIA:** No sople, raspe ni limpie los electrodos con arena. La arenisca en el motor podría dañar el cilindro.

3. Inspeccione la bujía. Si la bujía de encendido está rajada, corroída o sucia, reemplácela con una pieza de repuesto #753-06193, **Champion RDJ7J** o una bujía equivalente.
4. Use un calibrador de hoja para ajustar abertura de la bujía a **0.025 pulgadas (0.635 mm)** (Fig. 13).
5. Instale la bujía en la culata del motor. Apriete la bujía en el sentido de las agujas del reloj con una llave de bujía de 5/8 hasta ajustarla.

**NOTA:** Si usa una llave dinamométrica, use un par de torsión de: **110-120 pulgada•libra (12.3-13.5 N•m)**. No apriete demasiado.

6. Vuelva a ponerle la pipa (capucha).

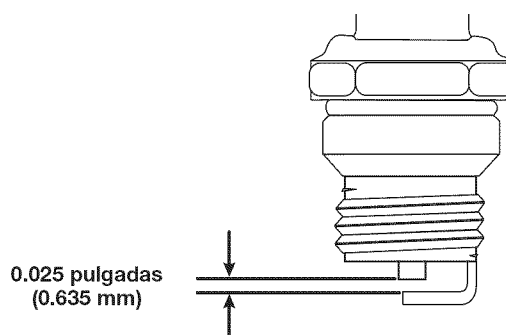


Fig. 13

## LIMPIEZA Y ALMACENAMIENTO

### LIMPIEZA



**ADVERTENCIA:** Para evitar lesiones personales graves, apague siempre el motor y deje que se enfríe antes de limpiar o dar mantenimiento a la unidad.

Use un cepillo pequeño para limpiar la unidad por fuera. No utilice detergentes fuertes. Los limpiadores caseros que contienen aceites esenciales, por ejemplo, de pino y limón, y los solventes como el queroseno, pueden dañar el plástico. Seque la humedad con un paño suave.

### ALMACENAMIENTO

- No guarde nunca la unidad con combustible en el tanque en un lugar en el que los gases puedan ponerse en contacto con una llama expuesta o chispas.
- Espere a que el motor se enfríe para guardar la unidad.
- Guarde la unidad bajo llave para evitar su uso no autorizado o daño.
- Guarde la unidad en un lugar seco y bien ventilado.
- Guarde la unidad fuera del alcance de los niños.

#### Almacenamiento a largo plazo

1. Quítele la tapa al tanque de combustible, incline la unidad y vacíe el combustible en un contenedor aprobado.
2. Arranque el motor y déjelo funcionar hasta que se cale. Con esto se asegura vaciar todo el combustible del carburador.
3. Espere a que el motor se enfríe. Quítele la bujía y eche 5 gotas de cualquier aceite de motor de 2 tiempos de alta calidad en el cilindro. Tire despacio de la cuerda de arranque para distribuir el aceite. Vuelva a poner la bujía.
4. Limpie bien la unidad y compruebe que no haya piezas sueltas o dañadas. Repare o reemplace las piezas dañadas y apriete los tornillos, tuercas o pernos flojos.

#### Preparar la unidad para usarla después de un almacenamiento prolongado

1. Saque la bujía y vacíe todo el aceite que está en el cilindro.

**NOTA:** No use un combustible que haya estado almacenado por más de 30 días. Deseche el aceite viejo, de conformidad con las regulaciones federales, estatales y locales.

## LOCALIZACIÓN Y SOLUCIÓN DE PROBLEMAS

CAUSA	ACCIÓN
<b>EL MOTOR NO ARRANCA</b>	
El control de apagado On/Off está en posición de OFF	Gire el control de apagado On/Off a ON
El tanque de combustible está vacío	Llene el tanque con combustible bien mezclado
La bombilla de cebado no fue oprimida lo suficiente	Oprima la pera del cebador 10 veces o hasta que se vea el combustible
El motor está inundado	Coloque la palanca del obturador en la posición 3, oprima el gatillo del regulador y tire de la cuerda de arranque.
El combustible está viejo (más de 30 días) y/o mal mezclado	Drene el tanque de combustible y eche combustible fresco mezclado adecuadamente
La bujía de encendido está arruinada	Cambie o limpie la bujía de encendido
<b>EL MOTOR NO FUNCIONA EN MINIMA</b>	
El filtro de aire está obstruido	Cambie o limpie el filtro de aire
El combustible está viejo (más de 30 días) y/o mal mezclado	Drene el tanque de combustible y eche combustible fresco mezclado adecuadamente
Velocidad de marcha en vacío inadecuada	Ajuste la velocidad de marcha en vacío
<b>EL MOTOR NO ACELERA</b>	
El combustible está viejo (más de 30 días) y/o mal mezclado	Drene el tanque de combustible y eche combustible fresco mezclado adecuadamente
El filtro de aire está sucio	Limpie o cambie el filtro de aire
<b>EL MOTOR NO TIENE SUFICIENTE POTENCIA O SE AHOGA AL CORTAR</b>	
El combustible está viejo (más de 30 días) y/o mal mezclado	Drene el tanque de combustible y eche combustible fresco mezclado adecuadamente
La bujía de encendido está arruinada	Cambie o limpie la bujía de encendido

**Si necesita asistencia adicional, comuníquese con su proveedor de servicio autorizado.**

## ¿NECESITA MÁS AYUDA?

Encontrará la respuesta y más información en [managemylife.com](http://managemylife.com) – ¡gratis!

- Busque en Internet éste y todos los demás manuales de sus productos.
- Pregúntele a nuestro equipo de expertos del hogar.
- Reciba un plan de mantenimiento personalizado para su hogar.
- Busque información y herramientas que lo ayuden en sus proyectos del hogar.



ofrecido por Sears

## CONVENIOS DE PROTECCIÓN DE REPARACIÓN

*Felicitaciones por haber hecho una compra inteligente.* Su nuevo producto Craftsman® fue diseñado y fabricado con vistas a una operación confiable por años. Pero como todos los productos, es posible que sea necesario repararlo alguna vez. Ahí es cuando tener un Convenio de Protección de Reparación puede ahorrarle dinero y problemas.

### Esto es lo que incluye el Convenio de Protección de Reparación\*:

- ☑ **Servicio de experto** por nuestros 10,000 profesionales, especialistas en reparaciones
- ☑ **Servicio ilimitado y sin costo alguno** en piezas y mano de obra para todas las reparaciones cubiertas
- ☑ **Reemplazo del producto** por otro que cueste hasta \$1500 si el producto cubierto no tiene reparación
- ☑ **Descuento del 25%** del precio normal por el servicio y las piezas instaladas que no cubra el convenio; así como también el 25% de descuento por el mantenimiento preventivo
- ☑ **Ayuda rápida por teléfono** – la llamamos Solución Rápida – asistencia técnica por teléfono de un representante de Sears. Considerémos un "manual de usuario que habla".

Una vez que adquiera el Convenio de Protección de Reparación, todo lo que necesita es hacer una simple llamada para programar el servicio. Puede llamar a cualquier hora del día o de la noche o programar el servicio por Internet.

El Convenio de Protección de Reparación es una compra libre de riesgo. Si usted lo cancela por cualquier motivo mientras dure la garantía del producto, le haremos un reembolso completo. Si lo hace en cualquier momento después de vencida la garantía, le haremos un reembolso prorrateado. ¡Adquiera hoy mismo su Convenio de Protección de Reparación!

**Se aplican algunas limitaciones y exclusiones. Para precios e información adicional en Estados Unidos, llame al 1-800-827-6655.**

**\*La cobertura en Canadá varía en algunos artículos. Para todos los detalles, llame a Sears de Canadá al 1-800-361-6665.**

### Servicio de Instalación Sears

*Para la instalación* de electrodomésticos, abrepuestas de garajes, calentadores de agua, y otros productos para el hogar por profesionales de Sears, en Estados Unidos o Canadá, llame al **1-800-4-MY-HOME**.



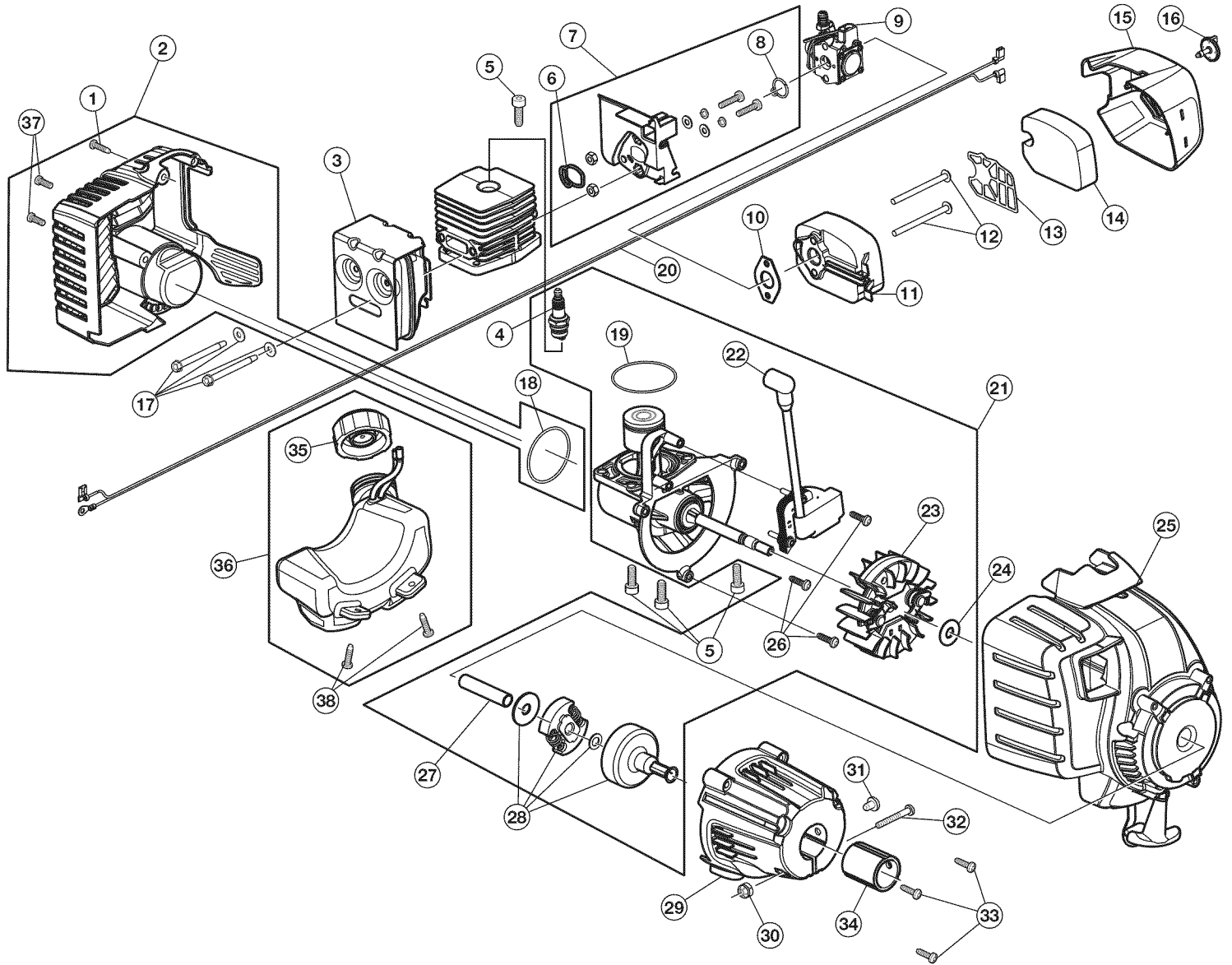






# PARTS LIST

## REPLACEMENT PARTS - MODEL 316.240320 2-CYCLE GAS MINI TILLER

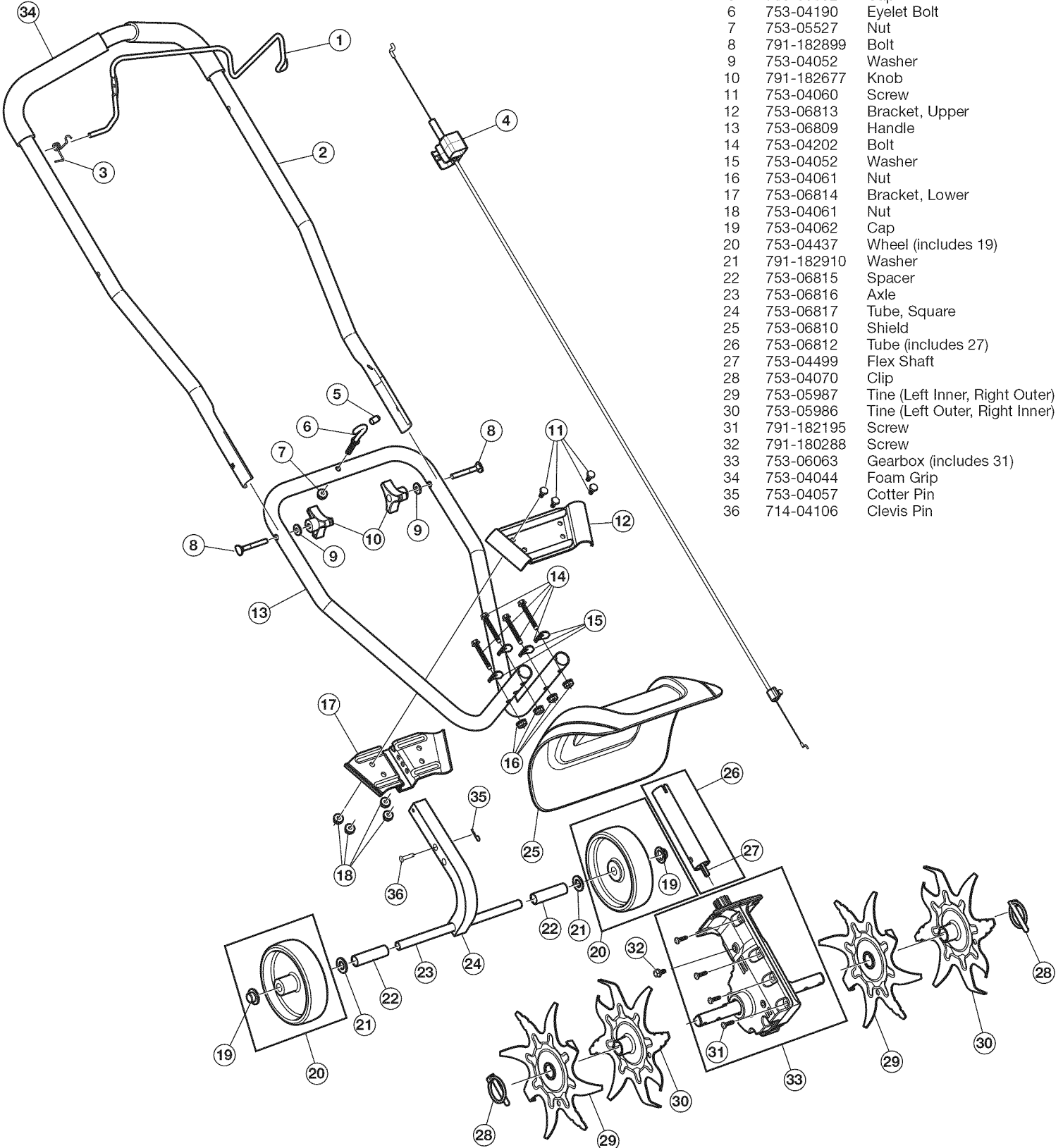


Item	Part No.	Description	Item	Part No.	Description
1	791-181345	Screw	21	753-06841	Shortblock (includes 4, 19, 22-24 & 26-28)
2	753-06833	Housing, Rear (includes 1, 18 & 37)	22	753-06840	Module
3	753-06792	Muffler	23	753-06175	Flywheel
4	753-06193	Spark Plug	24	753-06247	Washer
5	791-182723	Screw	25	753-06915	Housing, Starter
6	753-06184	O-Ring	26	791-181862	Screw
7	753-06189	Insulator Assembly (includes 6 & 8)	27	753-06218	Spacer
8	753-06185	O-Ring	28	753-05860	Clutch Assembly
9	753-06288	Carburetor	29	753-06843	Clutch Cover
10	753-06253	Gasket	30	791-180217	Nut
11	753-06916	Air Cleaner Base	31	753-06844	Bolt
12	753-05253	Screw	32	753-04003	Screw
13	753-06835	Plate	33	791-181345	Screw
14	753-06836	Filter	34	753-06845	Spacer, Rubber
15	753-06837	Air Cleaner Cover	35	791-182612	Fuel Cap
16	753-06838	Screw	36	753-06846	Fuel Tank (includes 35 & 38)
17	753-06294	Muffler Screw	37	791-181862	Screw
18	753-06174	O-Ring	38	791-181930	Fuel Tank Screw
19	753-06275	O-Ring			
20	753-06839	Lead Wire			

# PARTS LIST

## REPLACEMENT PARTS - MODEL 316.240320 2-CYCLE GAS MINI TILLER

Item	Part No.	Description
1	753-06808	Throttle
2	753-04498	Handle
3	753-05940	Spring
4	753-06831	Throttle Cable
5	753-06832	Cap
6	753-04190	Eyelet Bolt
7	753-05527	Nut
8	791-182899	Bolt
9	753-04052	Washer
10	791-182677	Knob
11	753-04060	Screw
12	753-06813	Bracket, Upper
13	753-06809	Handle
14	753-04202	Bolt
15	753-04052	Washer
16	753-04061	Nut
17	753-06814	Bracket, Lower
18	753-04061	Nut
19	753-04062	Cap
20	753-04437	Wheel (includes 19)
21	791-182910	Washer
22	753-06815	Spacer
23	753-06816	Axle
24	753-06817	Tube, Square
25	753-06810	Shield
26	753-06812	Tube (includes 27)
27	753-04499	Flex Shaft
28	753-04070	Clip
29	753-05987	Tine (Left Inner, Right Outer)
30	753-05986	Tine (Left Outer, Right Inner)
31	791-182195	Screw
32	791-180288	Screw
33	753-06063	Gearbox (includes 31)
34	753-04044	Foam Grip
35	753-04057	Cotter Pin
36	714-04106	Clevis Pin



# Get it fixed, at your home or ours!

## Your Home

For troubleshooting, product manuals and expert advice:



[www.managemylife.com](http://www.managemylife.com)

For repair – **in your home** – of **all** major brand appliances, lawn and garden equipment, or heating and cooling systems, **no matter who made it, no matter who sold it!**

For the replacement parts, accessories and owner's manuals that you need to do-it-yourself.

For Sears professional installation of home appliances and items like garage door openers and water heaters.

**1-800-4-MY-HOME<sup>®</sup>** (1-800-469-4663)

Call anytime, day or night (U.S.A. and Canada)

[www.sears.com](http://www.sears.com)

[www.sears.ca](http://www.sears.ca)

## Our Home

For repair of carry-in items like vacuums, lawn equipment, and electronics, call anytime for the location of your nearest

**Sears Parts & Repair Service Center**

**1-800-488-1222** (U.S.A.)

**1-800-469-4663** (Canada)

[www.sears.com](http://www.sears.com)

[www.sears.ca](http://www.sears.ca)

To purchase a protection agreement on a product serviced by Sears:

**1-800-827-6655** (U.S.A.)

**1-800-361-6665** (Canada)

Para pedir servicio de reparación a domicilio, y para ordenar piezas:

**1-888-SU-HOGAR<sup>®</sup>**

(1-888-784-6427)

[www.sears.com](http://www.sears.com)

Au Canada pour service en français:

**1-800-LE-FOYER<sup>MC</sup>**

(1-800-533-6937)

[www.sears.ca](http://www.sears.ca)

The Sears logo, consisting of the word "sears" in a lowercase, serif font.

® Registered Trademark / ™ Trademark of KCD IP, LLC in the United States, or Sears Brands, LLC in other countries

® Marca Registrada / ™ Marca de Fábrica de KCD IP, LLC en Estados Unidos, o Sears Brands, LLC in otros países

<sup>MC</sup> Marque de commerce / <sup>MP</sup> Marque déposée de Sears Brands, LLC