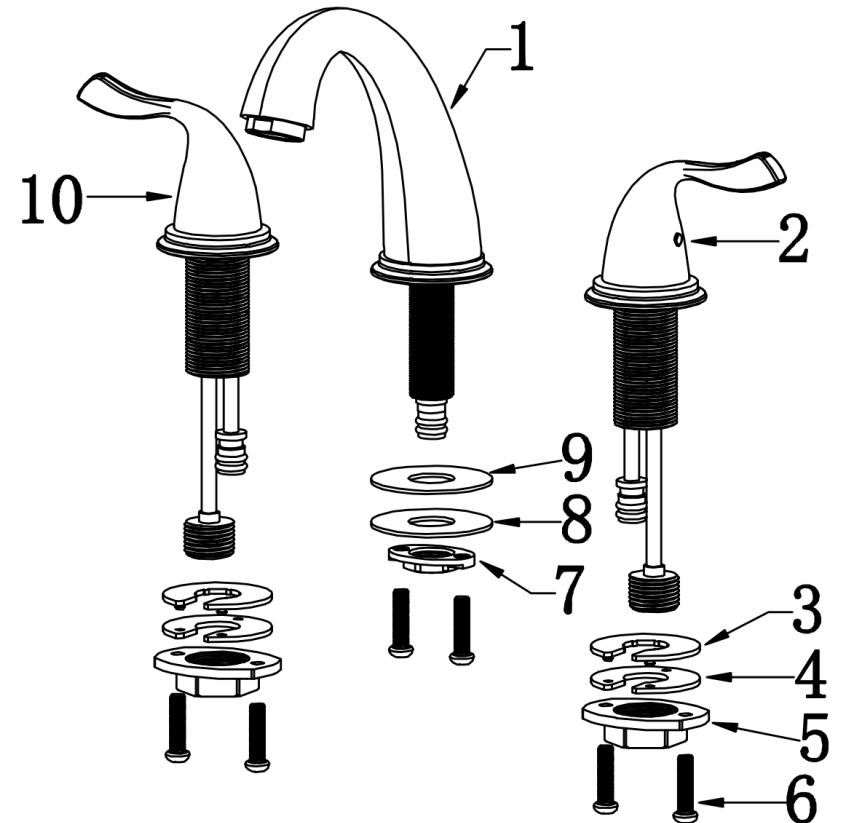
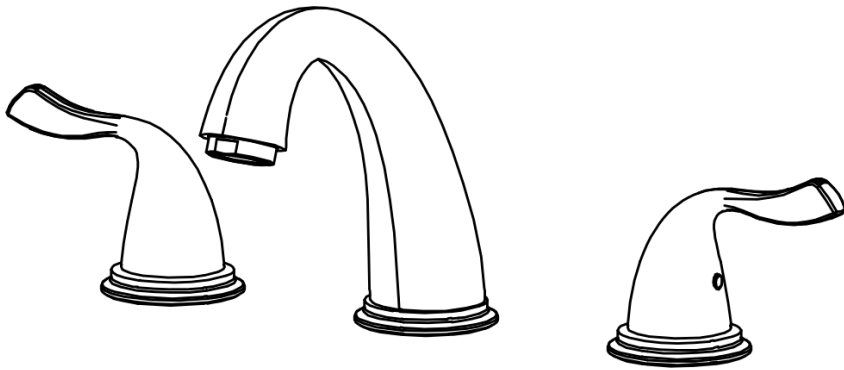


# Karran®

## INSTALLATION GUIDE

COMPONENT LIST	QTY
1 - Faucet Body	1
2 - Handle	1
3 - Rubber Washer	2
4 - Metal Washer	2
5 - Mounting Hardware	2
6 - Screw	6

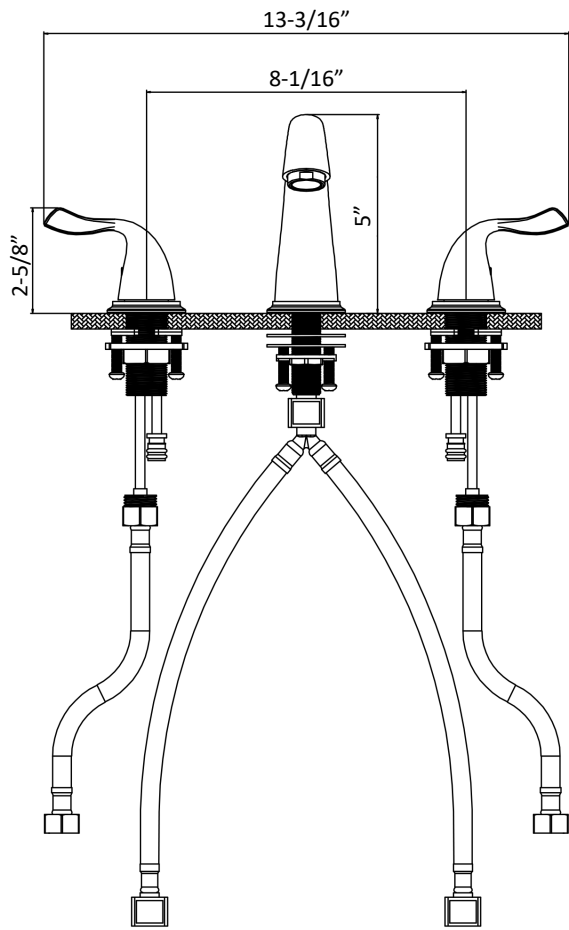
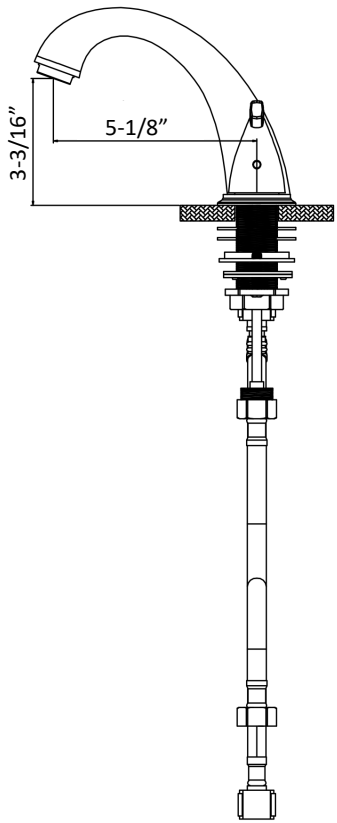
7 - Mounting Hardware	1
8 - Metal Washer	1
9 - Rubber Washer	1
10 - Handle	1



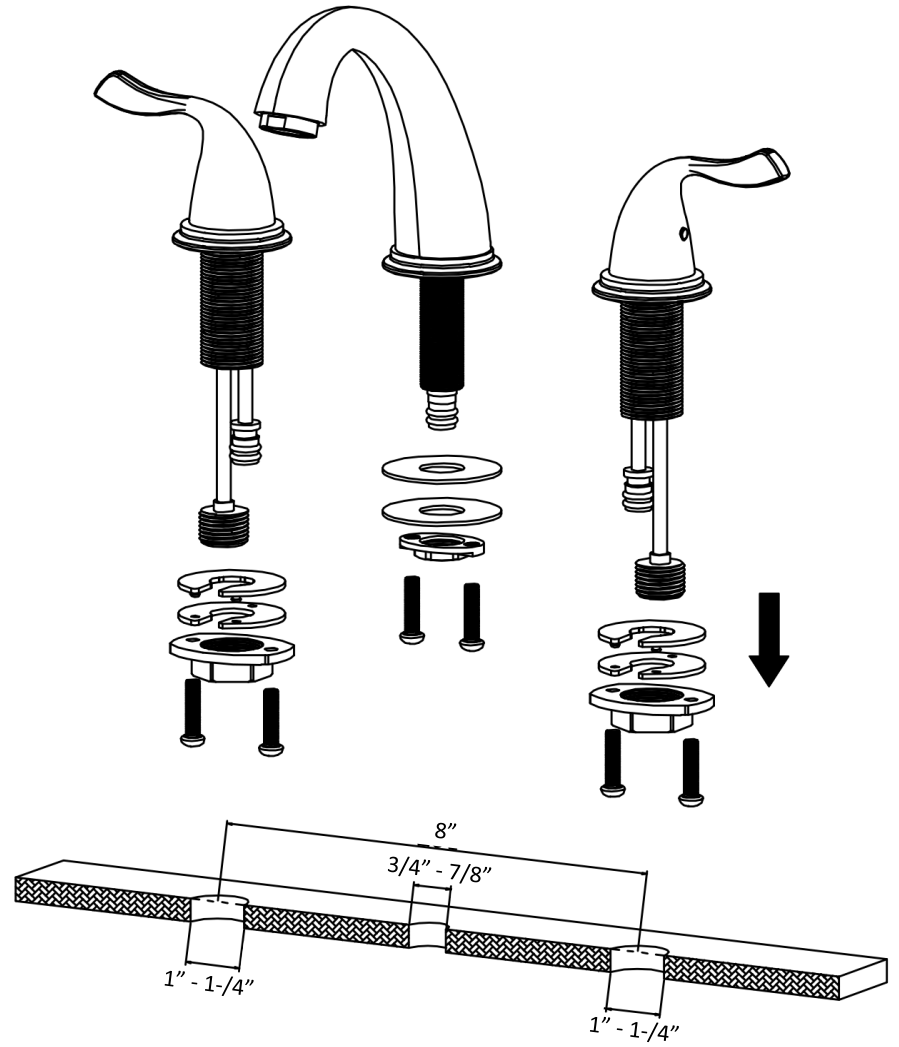
## Fulham

**Models:** KBF450C  
KBF450MB  
KBF450SS

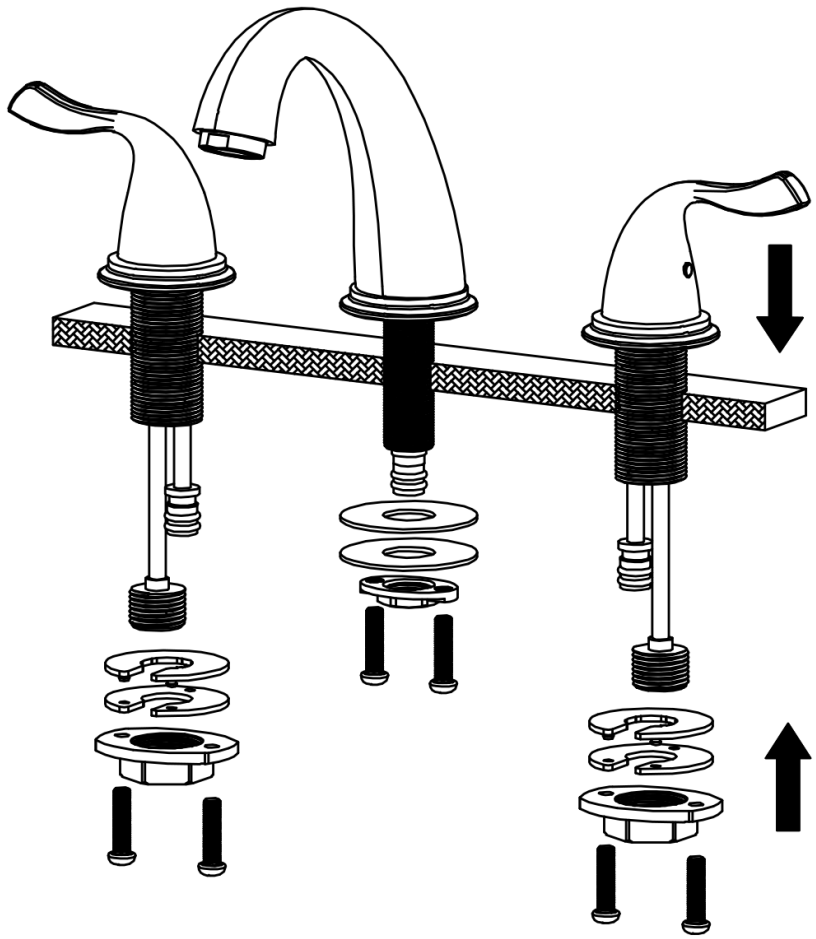




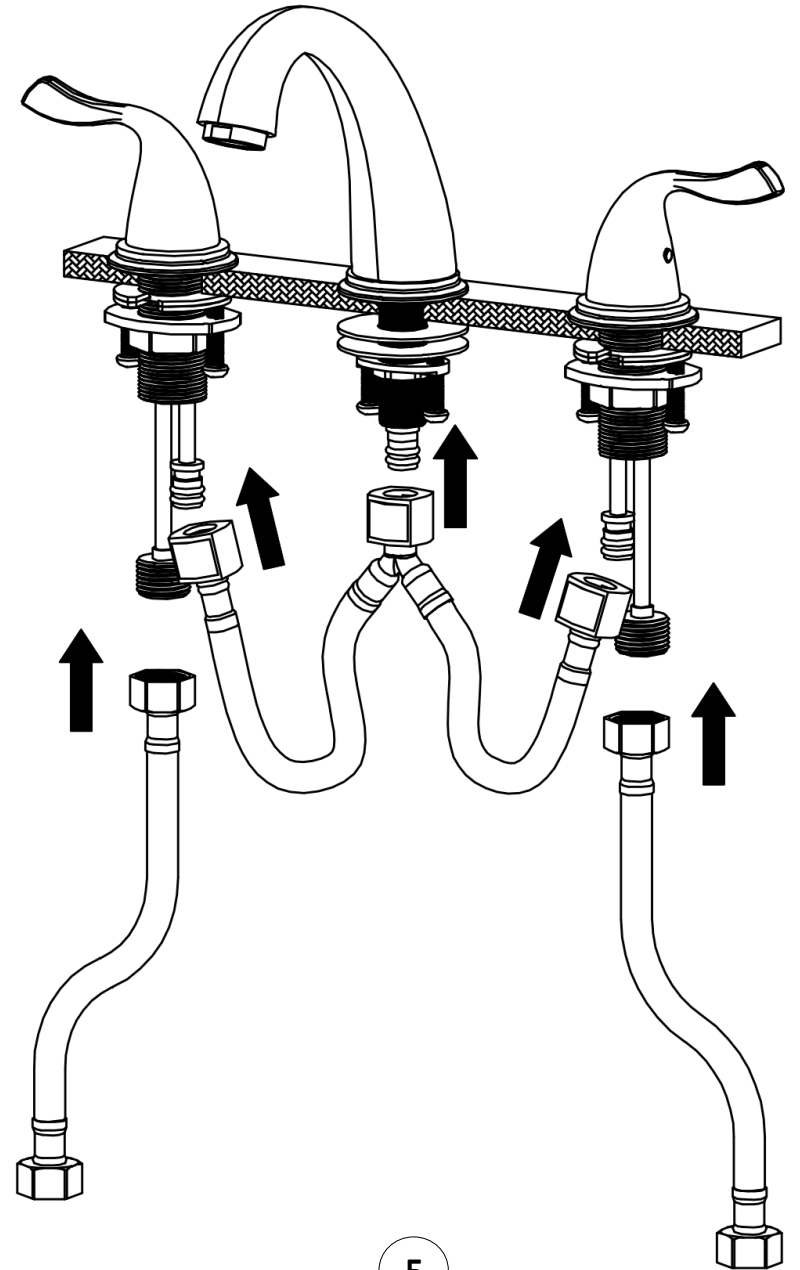
2



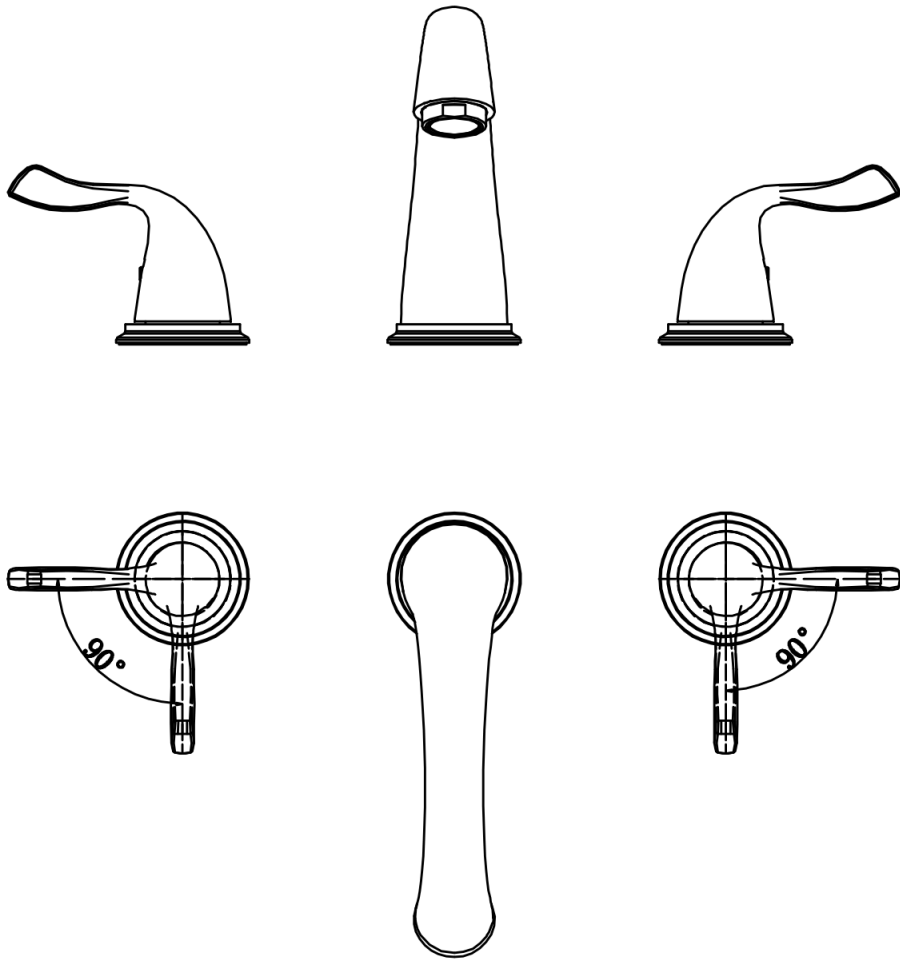
3



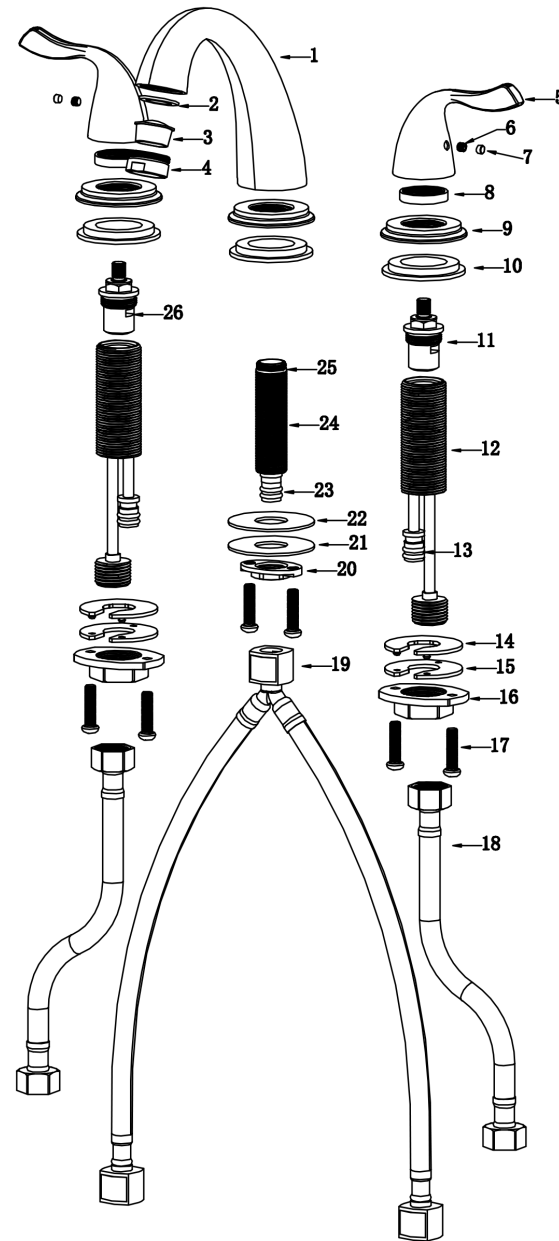
4



5



6



7

1 - Faucet Body

2 - Gasket

3 - Aerator

4 - Aerator Cover

5 - Handle

6 - Screw

7 - Color Button

8 - Nut

9 - Base

10 - Gasket

11 - Gasket

12 - Cartridge Base

13 - O-Ring

14 - Washer

15 - Washer

16 - Mounting Hardware

17 - Screw

18 - Water Lines

19 - Quick Hoses

20 - Mounting Hardware

21 - Metal Washer

22 - Rubber Washer

23 - O-Ring

24 - Base

25 - O-Ring

26 - Cartridge