

Installation Instructions and Use & Care Guide

Residential Electronic Thermostat Electric Water Heater

DO NOT RETURN THIS UNIT TO THE STORE



Read this manual and the labels on the water heater before you install, operate, or service it. If you have difficulty following the directions, or aren't sure you can safely and properly do any of this work yourself:

- Call your Local plumbing supplies store to have this water heater installed. Professional Installation is available for this product and the work is guaranteed.
- Schedule an appointment with a qualified person to install your water heater.
- Call our Technical Assistance Hotline at **1-800-527-1953** . We can help you with installation, operations, troubleshooting, or maintenance. Before you call, write down the model and serial number from the water heater's data plate.

Incorrect installation, operation, or service can damage the water heater, your house and other property, and present risks including fire, scalding, electric shock, and explosion, causing serious injury or death.

AHRI Certification® applies to residential electric water heaters with rated capacities of 20 to 120 gallon and input ratings of 12 kw or less.

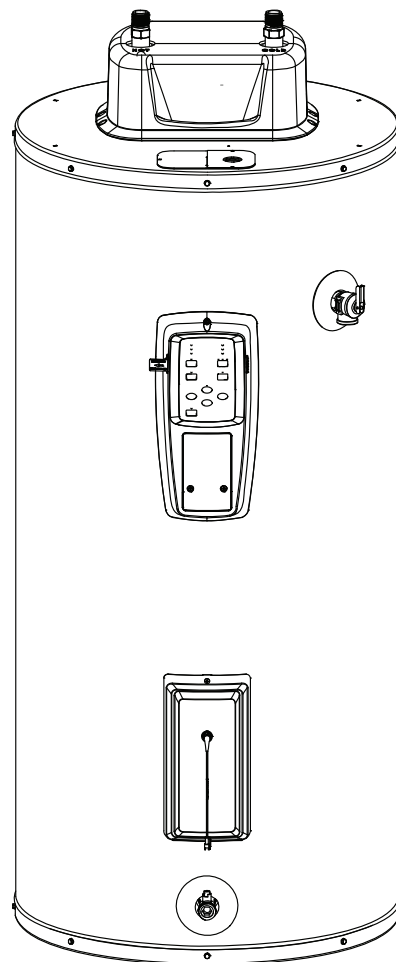


Table of Contents..... Page

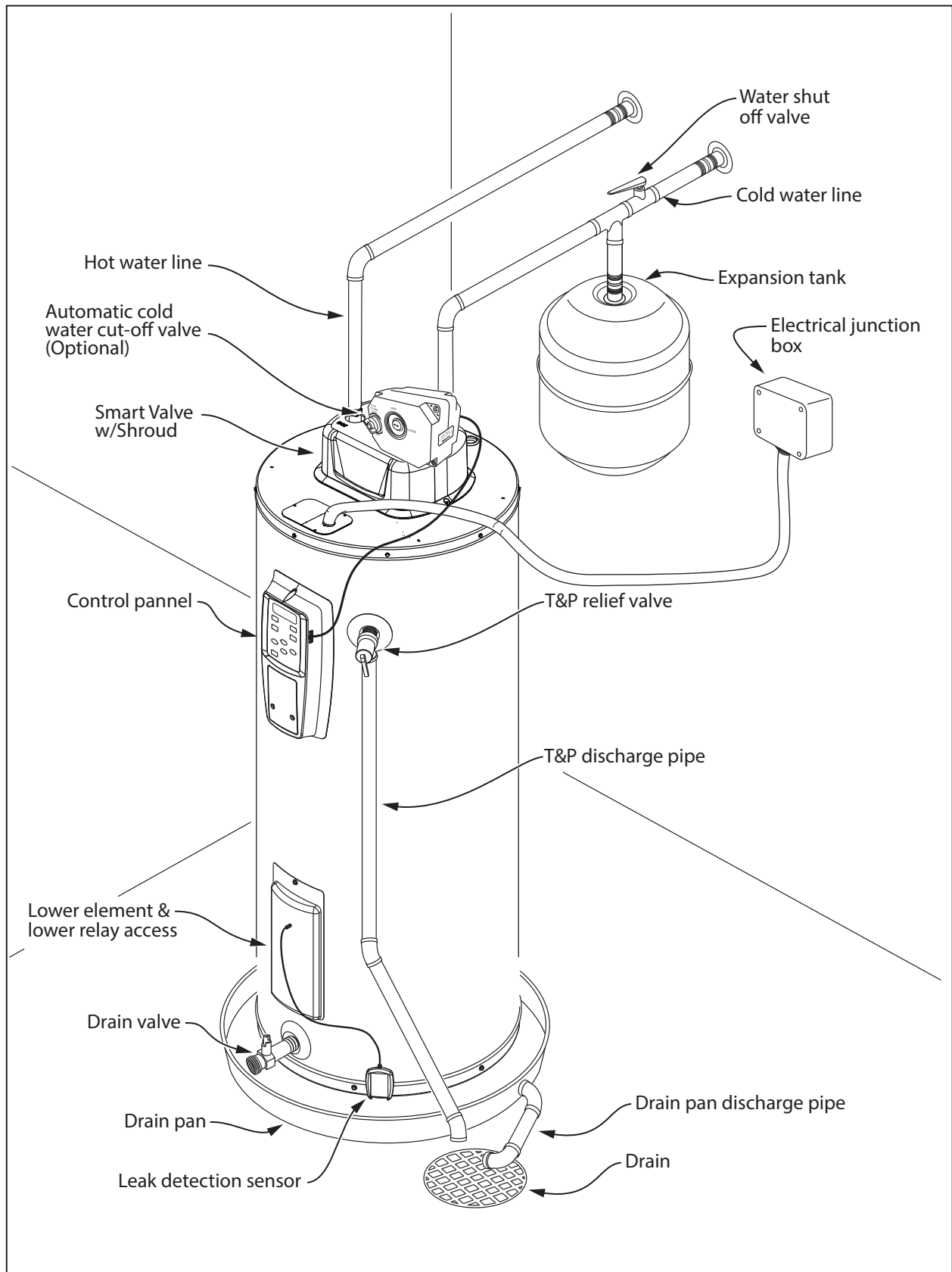
Important Safety Information	3
Getting Started	6
Installation.....	7
Operation	16
Troubleshooting	20
Maintenance	25
Diagrams.....	32
Repair Parts	33



Keep this manual in the pocket on heater for future reference whenever maintenance, adjustment or service is required.

Retain your original receipt as proof of purchase.

COMPLETED INSTALLATION (TYPICAL)



IMPORTANT SAFETY INFORMATION

Read and follow all safety messages and instructions in this manual.



This is the safety alert symbol. It is used to alert you to potential physical injury hazards. Obey all safety messages that follow this symbol to avoid possible property damage, serious injury or death. Do not remove any permanent instructions, labels, or the data plate from either the outside of the water heater or on the inside of the access panels. Keep this manual near the water heater.

Important information to keep

Fill out this section and keep this manual in the pocket of the water heater for reference.

Date Purchased:

Model number:

Serial number:

Maintenance performed:* Date:

DANGER	DANGER indicates hazardous situation that, if not avoided, will result in death or serious injury.
WARNING	WARNING indicates a hazardous situation that, if not avoided, could result in death or serious injury.
CAUTION	CAUTION indicates a hazardous situation that, if not avoided, could result in minor or moderate injury.
NOTICE	NOTICE indicates practices not related to physical injury.

*Drain and flush tank, and remove and inspect anode rod after first six months of operation and at least annually thereafter. Operate the Temperature and Pressure Relief Valve (T&P) annually and inspect T&P valve every 2-4 years (see the label on the T&P valve for maintenance schedule). If no label is attached to the T&P Relief Valve, follow the instructions in the T&P Relief Valve Maintenance section of this manual. See the Maintenance section for more information about maintaining this water heater.

This product is certified to comply with a maximum weighted average of 0.25% lead content as required in some areas.

ASSE 1082 Test Conditions	40 Gallon Model	50 Gallon Model	55 Gallon Model
Water Heater Connection Size	3/4" NPT		
Maximum Setting	150°F (66°C)		
Maximum Working Pressure	150 PSI (1034 kPa)		
Maximum Flow Rate at Minimum Temperature Rise	2 GPM (7.5 L/min)	2.5 GPM (9.5 L/min)	2.75 GPM (10.5 L/min)
Minimum Flow Rate at Maximum Temperature Rise	.5 GPM (1.9 L/min)	.6 GPM (2.3 L/min)	.7 GPM (2.6/min)
Maximum Flow Rate at +70°F (+39°C) Temperature Rise	2 GPM (7.5 L/min)	2.5 GPM (9.5 L/min)	2.75 GPM (10.5 L/min)
Pressure Drop at Maximum Flow Rate	1.75 PSI (12 kPa)	2.25 PSI (15.5 kPa)	2.5 PSI (17.2 kPa)

IMPORTANT SAFETY INFORMATION

To reduce the risk of property damage, serious injury or death, read and follow the precautions below, all labels on the water heater, and the safety messages and instructions throughout this manual.

RISKS DURING INSTALLATION AND MAINTENANCE



Electric Shock Risk

Contact with the electrical parts in the junction box and behind the access doors can result in severe injury or death from electrical shock:

- Disconnect power by opening the circuit breaker or removing the fuses before installing or servicing.
- Use a non-contact circuit tester to confirm that power is off before working on or near any electrical parts.
- Replace the junction box cover and access doors after servicing.



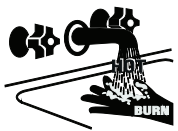
Lifting Risk

▲ WARNING! The water heater is heavy. Follow these precautions

to reduce the risk of property damage, injuries from lifting or impact injuries from dropping the water heater.

- Use at least two people to lift the water heater.
- Be sure you both have a good grip before lifting.

Use an appliance dolly or hand truck to move the water heater.



Scalding Risk

This water heater can make water hot enough to cause severe burns instantly, resulting in severe injury or death.

- Feel water before bathing or showering
- To reduce the risk of scalding, install Thermostatic Mixing Valves (temperature limiting valves) at each point-of-use. These valves automatically mix hot and cold water to limit the temperature at the tap. Mixing valves are available from your local plumbing supplier. Follow manufacturer's instructions for installation and adjustment of the valves.
- The thermostat(s) on this water heater have been factory set to approximately 120°F to reduce the risk of scalding. Higher temperatures increase the risk of scalding, but even at 120°F, hot water can scald. If you choose a higher temperature, Thermostatic Mixing Valves located at each point-of-use are particularly important to help avoid scalding.

Temperature	Time to Produce a Serious Burn
120°F (49°C)	More than 5 minutes
125°F (52°C)	1½ to 2 minutes
130°F (54°C)	About 30 seconds
135°F (57°C)	About 10 seconds
140°F (60°C)	Less than 5 seconds
145°F (63°C)	Less than 3 seconds
150°F (66°C)	About 1½ seconds
155°F (68°C)	About 1 second

For information about changing the factory thermostat setting(s), refer to the "Adjusting Temperature" section in this manual ("Step 11" on page 15).

Even if you set the water heater thermostat(s) to a low setting, higher temperatures may occur in certain circumstances:

In some cases, repeated small draws of water can cause the hot and cold water in the tank to "stack" in layers. If this happens, the water can be as much as thirty degrees hotter than the thermostat setting. This temperature variation is the result of your usage pattern and is not a malfunction.

Water temperature will be hotter if someone adjusted the thermostat(s) to a higher setting.

Problems with the thermostat(s), or other malfunctions may result in higher than expected water temperatures.

If the water heater is in a hot environment, the water in the tank can become as hot as the surrounding air, regardless of the thermostat setting.

If the water supplied to the water heater is pre-heated (for example, by a solar system) the temperature in the tank may be higher than the water heater's thermostat setting.

To reduce the risk of unusually hot water reaching the fixtures in the house, install Thermostatic Mixing Valves at each point-of-use.

If anyone in your home is at particular risk of scalding (for example, the elderly, children, or people with disabilities) or if there is a local code or state law requiring a certain water temperature at the hot water tap, then these precautions are particularly important.

According to a national standard American Society of Sanitary Engineering (ASSE 1070) and most local plumbing codes, the water heater's thermostat should not be used as the sole means to regulate water temperature and avoid scalds.

IMPORTANT SAFETY INFORMATION

Properly adjusted Thermostatic Mixing Valves installed at each point-of-use allow you to set the tank temperature to a higher setting without increasing risk of scalds. A higher temperature setting allows the tank to provide much more hot water and can help provide proper water temperatures for appliances such as dishwashers and washing machines. Higher tank temperatures (140°F) also kill bacteria that cause a condition known as “smelly water” and can reduce the levels of bacteria that cause water-borne diseases.

Water Contamination Risk

Do not use chemicals that could contaminate the potable water supply. Do not use piping that has been treated with chromates, boiler seal, or other chemicals.



Fire Risk

To reduce the risk of a fire that could destroy your home and seriously injure or kill people:

- Do not store things that can burn easily such as paper or clothes next to the water heater.
- Be sure the junction box cover and the access door covers are in place. These covers keep debris from entering and potentially being ignited, and help keep any internal fires from spreading.
- Keep the water heater from becoming wet. Immediately shut the water heater off and have it inspected by a qualified person if you find that the wiring, thermostat(s) or surrounding insulation have been exposed to water in any way (e.g., leaks from plumbing, leaks from the water heater itself can damage property and could cause a fire risk). If the water heater is subjected to flood condi-

tions or the thermostat(s) have been submerged in water, the entire water heater must be replaced.

- Make electrical connections properly, according to the instructions on page 14. Use 10 gauge solid copper wire. Use a UL listed or CSA approved strain relief. Connect ground wire to green ground screw.



Explosion Risk

High temperatures and pressures in the water heater tank can cause an explosion resulting in property damage, serious injury or death. A new Temperature and Pressure (T&P) Relief Valve is included with your water heater to reduce risk of explosion by discharging hot water. Additional temperature and pressure protective equipment may be required by local codes.

A nationally recognized testing laboratory maintains periodic inspection of the valve production process and certifies that it meets the requirements for Relief Valves for Hot Water Supply Systems, ANSI Z21.22. The T&P Relief Valve’s relief pressure must not exceed the working pressure rating of the water heater as stated on the rating plate.

Maintain the T&P Relief Valve properly. Follow the maintenance instructions provided by the manufacturer of the T&P Relief Valve (label attached to T&P Relief Valve). If no label is attached to the T&P Relief Valve, follow the instructions in the T&P Relief Valve Maintenance section of this manual.

An explosion could occur if the T&P Relief Valve or discharge pipe is blocked. Do not cap or plug the T&P Relief Valve or discharge pipe.

Fire and Explosion Risk if Hot Water is Not Used for Two Weeks or More

⚠ CAUTION! Hydrogen gas builds up in a hot water system when it is not used for a long period (two weeks or more). Hydrogen gas is extremely flammable. If the hot water system has not been used for two weeks or more, open a hot water faucet for several minutes at the kitchen sink before using any electrical appliances connected to the hot water system. Do not smoke or have an open flame or other ignition source near the faucet while it is open.

GETTING STARTED

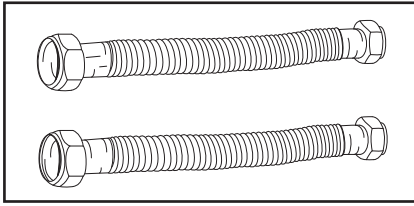


Figure 1 - Flexible connectors use compression fittings and do not require soldering.

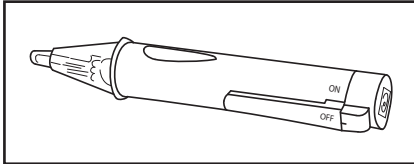


Figure 2 - Use a non-contact circuit tester to insure that the power is off before you work on a circuit.

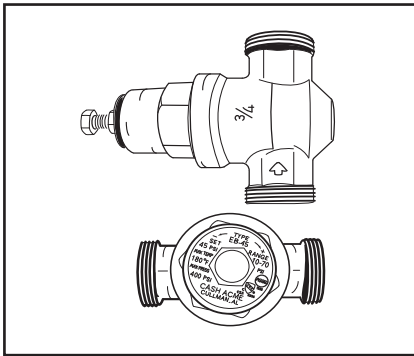


Figure 3 - Install a Pressure Reducing Valve set to 50 to 60 PSI.

1 Review all of the instructions before you begin work. Improper installation can damage the water heater, your home and other property, and can present risks of serious injury or death.

2 Check with your local and state authorities for any local or state codes that apply to your area. In the absence of local and state codes, follow National Fire

Protection Association (NFPA-70) and the current editions of the National Electric Code (NEC) and the International Plumbing Code (IPC). The instructions in this manual comply with national codes, but the installer is responsible for complying with local codes.

Massachusetts code requires this water heater to be installed in accordance with Massachusetts 248-CMR 2.00 and 248-CMR 5.00: State Plumbing Code. Other local and state authorities may have similar requirements or other codes applicable to the installation of this water heater.

3 Before you start, be sure you have, and know how to use, the following tools and supplies:

- Plumbing tools and supplies appropriate for the type of water pipes in your home
- Threaded connectors (Figure 1) for the cold and hot water pipes
 - For homes plumbed with plastic pipe, use threaded connectors suitable for the specific type of plastic pipe used: CPVC and PEX (cross-linked polyethylene). Do not use PVC pipe.
 - For homes with copper pipes, you may purchase connector kits with compression fittings that don't require soldering (Figure 1). Compression fittings are easier to install than soldering copper pipes.

- Thread sealant tape or pipe joint compound approved for potable water
- Tools to make the electrical connections (for example, screwdrivers, wire strippers)
- Non-Contact circuit tester to check for power (Figure 2)
- Water Pressure Gauge (see next page, Figure 4)

Recommended Accessories:

- Suitable drain pan (see Figure 6 on page 8)
- Automatic leak detection and shut-off device
- Pressure Reducing Valve (Figure 3)
- Thermal Expansion Tank (see Figure 5 on page 7)
- Point-of-use Thermostatic Mixing Valves (see Figure 7 on page 8).

INSTALLATION

IMPORTANT: Follow these steps for proper installation:

Step 1:

✓ Verify that your home is equipped and up-to-date for proper operation

Installing a new water heater is the perfect time to examine your home's plumbing system and make sure the system is up to current code standards. There have likely been plumbing code changes since the old water heater was installed. We recommend installing the following accessories and any other needed changes to bring your home up to the latest code requirements.

Use the checklist below and inspect your home. Install any devices you need to comply with codes and assure that your new water heater performs at its best. Check with your local plumbing official for more information.

✓ Water pressure

We recommend checking your home's water pressure with a pressure gauge (Figure 4). Most codes allow a maximum incoming water pressure of 80 psi. We recommend a working pressure no higher than 50-60 psi.

HOW: Purchase an inexpensive water pressure gauge available at your local plumbing supplier. Connect the Water Pressure Gauge to an outside faucet and measure the maximum water pressure experienced throughout the day (highest water pressures often occur at night).

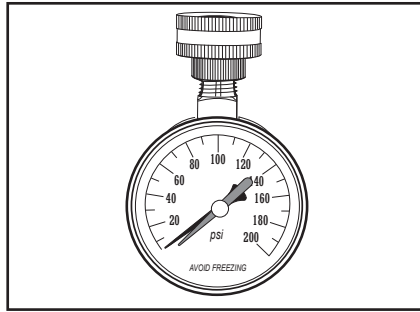


Figure 4 - Use a Water Pressure Gauge to make sure your home's water pressure is not too high.

To limit your home's water pressure: Locate your home's Pressure Reducing Valve (PRV) on the main incoming (cold) water supply line and adjust the water pressure control to between 50 and 60 psi. If your home does not have a Pressure Reducing Valve, install a PRV on the home's main water supply line and set it to between 50 and 60 psi. Pressure Reducing Valves are available at your local plumbing supplier.

BACKGROUND: Over the years, many utilities have increased water supply pressures so they can serve more homes. In some homes today, pressures exceed 100 psi. High water pressures can damage water heaters, causing premature leaks. If you have replaced toilet valves, had a water heater leak, or had to repair appliances connected to the plumbing system, pay particular attention to your home's water pressure. When purchasing a PRV, make sure the PRV has a built-in bypass.

✓ Water pressure increase caused by thermal expansion

Verify that you have a properly sized Thermal Expansion Tank (Figure 5). We recommend installing an expansion tank if your home does not have one. Codes require a properly pressurized, properly sized Thermal Expansion Tank in almost all homes. (See image on inside front cover.)

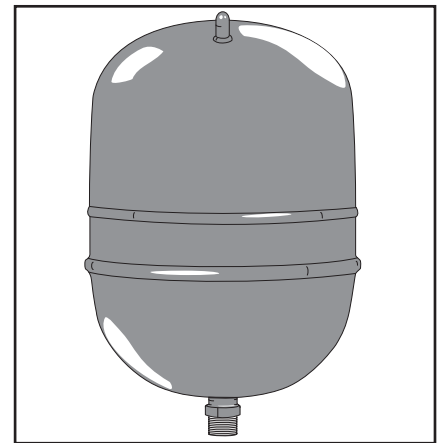


Figure 5 - A Thermal Expansion Tank helps protect the home's plumbing system from pressure spikes.

HOW: Connect the Thermal Expansion Tank (available at your local plumbing supplier) to the cold water supply line near the water heater. The expansion tank contains a bladder and an air charge. To work properly, the Thermal Expansion Tank must be sized according to the water heater's tank capacity and pressurized to match the home's incoming water pressure. Refer to the installation instructions provided with the Thermal Expansion Tank for installation details.

INSTALLATION

BACKGROUND: Water expands when heated, and the increased volume of water must have a place to go, or thermal expansion will cause large increases in water pressure (despite the use of a Pressure Reducing Valve on the home's main water supply line). The Safe Drinking Water Act of 1974 requires the use of back flow preventatives and check valves to restrict water from your home reentering the public water system. Back flow preventatives are often installed in water meters and may not be readily visible. As a result, most all plumbing systems today are now "closed," and almost all homes now need a Thermal Expansion Tank.

A Thermal Expansion Tank is a practical and inexpensive way to help avoid damage to the water heater, washing machine, dishwasher, ice maker and even toilet valves. If your toilet occasionally runs for no apparent reason (usually briefly at night), that may be due to thermal expansion increasing the water pressure temporarily.

Water pipe and tank leaks

Leaks from plumbing pipes or from the water heater itself can damage property and could cause a fire risk.

- Install the provided leak detector and if included, the cold water shut-off valve (see step 7, page 12). If a cold water shut-off valve was not included, one can be purchased at your local plumbing supplier.

These devices can detect water leaks and can shut off the water heater's water supply if a leak occurs.

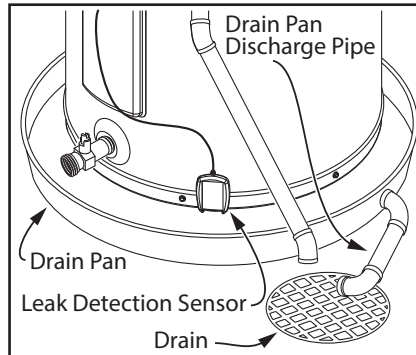


Figure 6 - A suitable drain pan piped to an adequate drain can help protect flooring from leaks and drips.

- Install a suitable drain pan (available in stores) under the water heater (Figure 6) to catch condensation or leaks in the piping connections or tank. Most codes require, and we recommend, installing the water heater in a drain pan that is piped to an adequate drain. The drain pan must be at least two inches wider than the diameter of the water heater. Install the drain pan so the water level would be limited to a maximum depth of 1-3/4".

Water temperature regulation

Install Thermostatic Mixing Valves (Figure 7) to regulate the temperature of the water supplied to each point-of-use (for example, kitchen sink, bathroom sink, bath, shower). Consult the valve manufacturer's instructions or a qualified person.

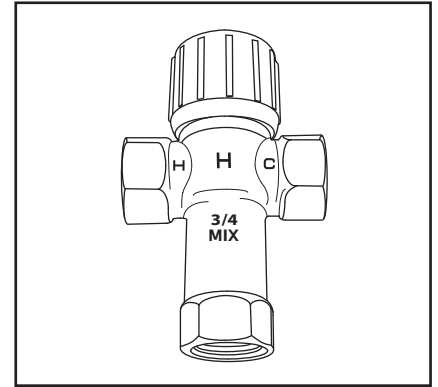


Figure 7 - Thermostatic Mixing Valves installed at each point-of-use can help prevent scalding.

▲ WARNING! Even if the water heater thermostat is set to a relatively low temperature, hot water can scald. Install Thermostatic Mixing Valves at each point-of-use to reduce the risk of scalding (see page 4 and Figure 7).

BACKGROUND: A Thermostatic Mixing Valve, installed at each point-of-use, mixes hot water from the water heater with cold water to more precisely regulate the temperature of hot water supplied to fixtures. If you aren't sure if your plumbing system is equipped with properly installed and adjusted Thermostatic Mixing Valves at each point where hot water is used, contact a qualified person for more information.

INSTALLATION

Step 2:

Verify that the location is appropriate

Before installing your water heater, ensure that:

- 1 The water heater will be:
 - Installed indoors close to the center of the plumbing system.
 - In a suitable drain pan piped to an adequate floor drain or external to the building (See Figure 6 on page 8).
 - In an area that will not freeze
 - In an area that is suitable for installing the water heater vertically.
- 2 The location has adequate space (clearances) for periodic servicing.
- 3 The floor can support the weight of a full water heater.
- 4 Your area is not prone to earthquakes. If it is, use special straps as required by local building codes.

NOTICE: The state of California requires bracing, anchoring, or strapping the water heater to avoid its moving during an earthquake. Contact local utilities for code requirements in your area, visit <http://www.dsa.dgs.ca.gov>, or call 1-916-445-8100 and request instructions. Other locations may have similar requirements. Check with your local and state authorities.

- 5 The location is not prone to physical damage by vehicles, flooding, or other risks.

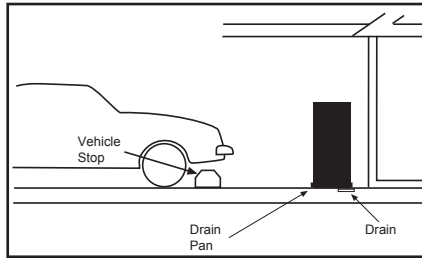


Figure 8 - In a garage, install a vehicle stop to avoid water heater damage.

- 6 Avoid locations such as attics, upper floors, or where a leak might damage the structure or furnishings. Due to the normal corrosive action of water, the tank will eventually leak. To minimize property damage from leaks, inspect and maintain your water heater in accordance with this manual's instructions. Install a suitable drain pan under the water heater piped to an adequate drain. Inspect the drain pan, pipes, and surrounding area regularly and fix any leaks found. Drain pans are available at your local plumbing supplier. Leaks are frequently in the plumbing system itself and not the water heater.

Step 3:

Removing the old water heater

- 1 Read each installation step and decide if you have the necessary skills to install the water heater. Only proceed if you can safely perform the work. If you are not comfortable, have a qualified person perform the installation.
- 2 Locate the water heater's circuit breaker and turn it OFF (or remove the circuit's fuses).

- 3 On the old water heater, remove the electrical junction box access panel. Using a non-contact circuit tester, check the wiring to make certain the power is OFF.

▲ WARNING! Working on an energized circuit can result in severe injury or death from electrical shock.

- 4 Disconnect the electrical wires.
- 5 Open a hot water faucet and let the hot water run until it is cool (This may take 10 minutes or longer)
▲ WARNING! Be sure the water runs cool before draining the tank to reduce the risk of scalding.
- 6 Connect a garden hose to the drain valve and place the other end of the hose in a drain, outside, or a bucket. (Note that sediment in the bottom of the tank may clog the valve and prevent it from draining. If you can't get the tank to drain, contact a qualified person.)

INSTALLATION

7 Turn the cold water supply valve OFF.

8 Open the drain valve on the water heater.

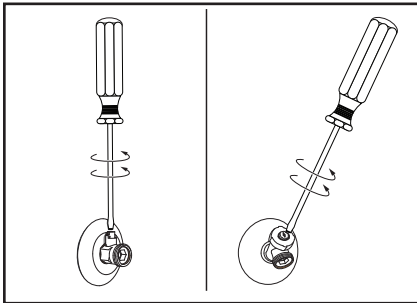


Figure 9 - Draining the old water heater.

9 Also open a hot water faucet to help the water in the tank drain faster.

10 When the tank is empty, disconnect the Temperature & Pressure (T&P) Relief Valve discharge pipe. You may be able to reuse the discharge pipe, but do not reuse the old T&P Relief Valve. A new T&P Relief Valve comes installed on your water heater (or on some models, is in the carton with the water heater).

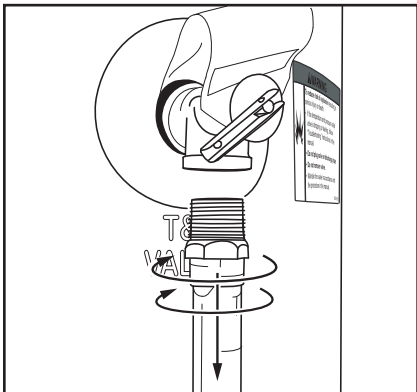


Figure 10 - Removing the T&P Relief Valve discharge pipe.

11 Disconnect the water pipes. Many water pipes are connected by a threaded union which can be disconnected with

wrenches. If you must cut the water pipes, cut the pipes close to the water heater's inlet and outlet connections, leaving the water pipes as long as possible. If necessary, you can make them shorter later when you install the new water heater.

12 Remove the old water heater.

▲ WARNING! Use two or more people to remove or install water heater. Failure to do so can result in back or other injury.

Step 4:

Installing the new water heater

1 Completely read all instructions before beginning. If you are not sure you can complete the installation, DO NOT RETURN THIS UNIT TO THE STORE. Seek assistance from any of the following sources:

- Professional Installation is available for this product and the work is guaranteed. Contact a local plumbing supplier to have this water heater installed.
- Schedule an appointment with a qualified person to install your water heater.
- Call our Technical Assistance Hotline at **1-800-527-1953**.

2 Install a suitable drain pan that is piped to an adequate drain.

3 Set the water heater in place taking care not to damage the drain pan.

NOTICE: Most codes require setting the water heater in a suitable drain pan piped to an adequate drain. The drain pan helps avoid property damage which may occur from condensation or leaks in the piping connections or tank. The drain pan must be at least two inches wider than the diameter of the water heater. Install the drain pan so the water level is limited to a maximum depth of 1-3/4".

4 Verify that the water heater is set in place properly. Check that:

- The T&P Relief Valve will not be in contact with any electrical parts.
- There is adequate space to install the T&P Relief Valve discharge pipe and that it can be piped to a separate drain (and not into the drain pan).
- There is adequate access and space around the water heater for future maintenance.

INSTALLATION

DO NOT CONNECT ELECTRICAL WIRING UNTIL YOU ARE INSTRUCTED TO DO SO.

NOTICE: Connecting electrical power to the tank before it is completely full of water (water must run FULL STREAM from a hot water tap for a full three minutes) may cause the upper heating element to burn out.

Step 5:

Connect the Temperature and Pressure (T&P) Relief Valve/Pipe

Most T&P Relief Valves are pre-installed at the factory. In some cases, they are shipped in the carton and must be installed in the opening marked and provided for this purpose and according to local codes.

▲ WARNING! To avoid serious injury or death from explosion, install a T&P Relief Valve according to the following instructions:

1 If your water heater does not have a factory installed T&P Relief Valve, install the new T&P Relief Valve that came with your water heater. Do not reuse an old T&P Relief Valve. Install a T&P Relief Valve discharge pipe according to local codes and the following guidelines:

- The discharge pipe should be at least 3/4" inside diameter and sloped for proper drainage. Install it to allow complete drainage of both the T&P Relief Valve and the discharge pipe.
- The discharge pipe must withstand 250°F (121°C) without distortion. Use only copper or CPVC pipe. Do not use any other type of pipe, such as PVC, iron, flexible plastic pipe, or any type of hose.

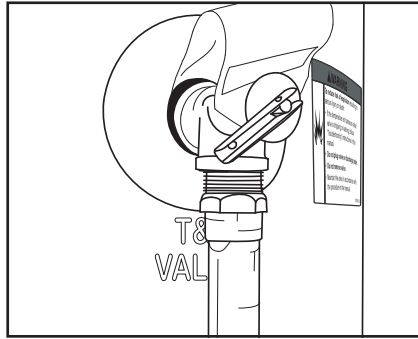


Figure 11 - The T&P Relief Valve discharge pipe must be installed properly and piped to an adequate drain.

- Terminate the discharge pipe a maximum of six inches above a floor drain or outside the building. Do not drain the discharge pipe into the drain pan; instead pipe it separately to an adequate drain. In cold climates, terminate the discharge pipe inside the building to an adequate drain. Outside drains could freeze and obstruct the drain line. Protect the drain from freezing.

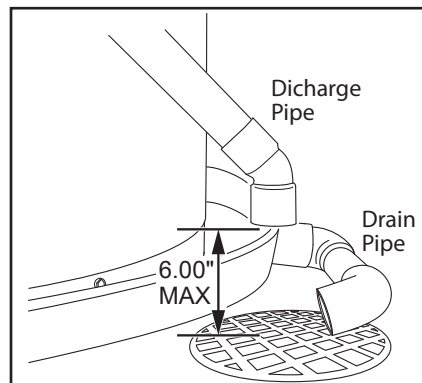


Figure 12 - The end of the T&P Relief Valve discharge pipe must stop no more than six inches above a floor drain or outside.

- Do not place any valve or other restriction between the tank and T&P Relief Valve. Do not cap, block, plug, or insert any valve between the T&P Relief Valve and the end of the discharge pipe. Do not insert or install any reducer in the discharge pipe.

INSTALLATION

Step 6:

Install shutoff and tempering valves

1 If one is not already installed, install a manual shutoff valve in the cold water line that supplies the water heater. Install the shutoff valve near the water heater so that it is readily accessible. Only use valves that are compatible with potable water. Use only full-flow ball or gate valves. Other types of valves may cause excessive restriction to the water flow.

2 Install a Thermostatic Mixing Valve at each point-of-use (for example, kitchen sink, bathroom sink, bath, shower). Consult the valve manufacturer's instructions or a qualified person.

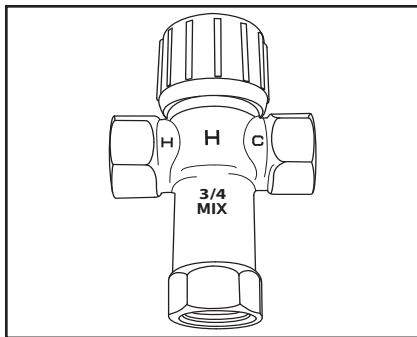


Figure 13 - Install Thermostatic Mixing Valves at each point where hot water will be used.

▲ WARNING! Even if the water heater's thermostat(s) are set to a relatively low temperature, hot water can scald. Install Thermostatic Mixing Valves at each point-of-use to reduce the risk of scalding. (See page 4.)

3 For water heaters that are fed by a solar water heating system (or any other pre-heating system), always install a Thermostatic Mixing Valve or other temperature limiting device in the inlet water supply line to limit water supply inlet temperature to 120°F. Solar water heating systems can supply water with temperatures exceeding 170°F and may result in water heater malfunction.

▲ WARNING! Hot water provided by solar heating systems can cause severe burns instantly, resulting in severe injury or death (see page 4).

Step 7:

1 Determine the type of water pipes in your home. Most homes use CPVC or cross-linked polyethylene (PEX). Use fittings appropriate for the type of pipe in your home. Do not use iron or PVC pipe – they are not suitable for potable water.

The water inlet and outlet threaded connections are brass. When connecting the unit to piping made of a different material, use of a dielectric fitting or a dielectric union conforming to ASSE 1079 is recommended to prevent corrosion and potential subsequent water leaks at or near the connection. Dielectric fittings may be required by local plumbing codes.

IMPORTANT! A dielectric waterway nipple is different than a dielectric nipple and does not perform the same function. A dielectric waterway nipple will not protect the water heater from corrosion.

2 Connect the cold water supply using 3/4 inch National Pipe Thread (“NPT”) to the BLUE cold water connection on the top side of the water heater.

To avoid damaging the smart valve, use a pipe wrench at the hot and cold nipples to counter torque when installing or removing water connections. **DO NOT** overtighten.

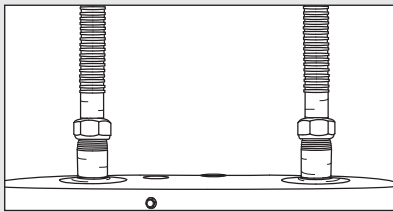
NOTICE: Some models come with a cold water shut-off valve. This is to be installed in the cold water line near the water heater. Make sure the module cable can be easily plugged into the control assembly (within 30”). See included kit instructions found with the automatic cold water shut-off valve, for further installation instructions.

3 Connect the hot water supply using 3/4 inch NPT to the corresponding RED hot water connection on the top side of the water heater. Follow the same connection guidelines as for the cold water supply.

INSTALLATION

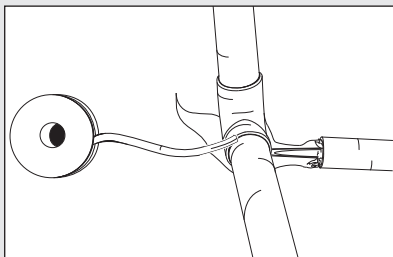
IF YOU HAVE COPPER PIPES:

If your home has copper water pipes, you can solder the water pipe connections or use compression fittings which do not require soldering. Compression fittings are easier to install than soldering pipe. Check with local plumbing officials to determine what types of pipe materials are suitable for your location. Do not use lead-based solder.



Compression fittings don't require soldering.

NOTICE: Do not solder pipes while they are attached to the water heater. The water heater's inlet and outlet connections contain non-metallic parts which could be damaged. The proper way to connect the water heater to copper water pipes is as follows:



Solder a short length of pipe (about a foot or so) to a threaded adapter using only 95/5 tin-antimony or equivalent solder. Attach the threaded adapters to the water heater's connections (using thread sealant tape or pipe joint compound). Connect the home's water pipes by soldering, keeping the connections at the water heater cool with wet rags. **DO NOT** over apply joint compound.

NOTICE: Most water heater models contain energy saving heat traps in the inlet and outlet connections to avoid the circulation of hot water within the pipes during standby. Do not remove the heat traps.

- 4** Connect the hot water supply using 3/4 inch NPT to the fitting marked "H" (HOT). Follow the same connection guidelines as for the cold water supply.
- 5** Install insulation (or heat tape) on the water pipes especially if the indoor installation area is subject to freezing temperatures. Insulating the hot water pipes can increase energy efficiency.
- 6** Double check to make sure the hot and cold water pipes are connected to the correct hot and cold water fittings on the water heater.
- 7** If needed, install (or adjust) the home's Pressure Reducing Valve to 50-60 psi and install a Thermal Expansion Tank.

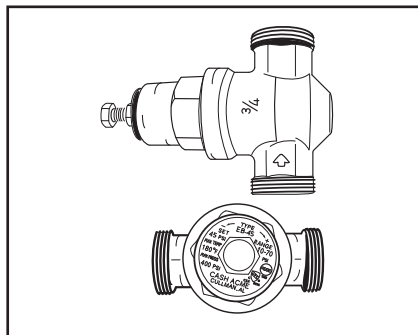


Figure 14 - A Pressure Reducing Valve is required if your home's water pressure is above 80 psi.

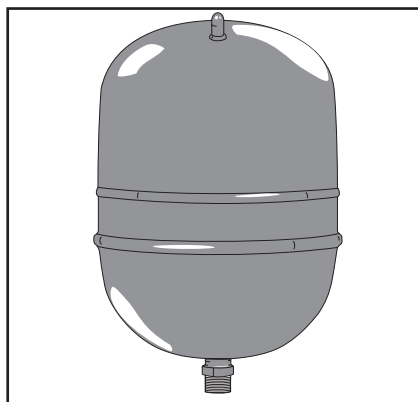


Figure 15 - The Thermal Expansion Tank should be pressurized with air, to match the home's incoming water pressure.

Step 8:

Verify connections and completely fill tank

To remove air from the tank and allow the tank to fill completely with water, follow these steps:

- 1** Remove the aerator at the nearest hot water faucet. This allows any debris in the tank or plumbing system to be washed out.
- 2** Turn the cold water supply back on.

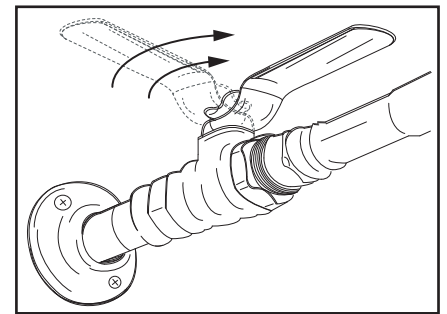


Figure 16 - Fully open the cold water supply valve.

- 3** Open a hot water faucet and allow the water to run until it flows with a full stream.
- 4** Let the water run full stream for three full minutes.
- 5** Close the hot water faucet and replace the aerator.
- 6** Check inlet and outlet connections and water pipes for leaks. Dry all pipes so that any drips or leaks will be apparent. Repair any leaks. Almost all leaks occur at connections and are not a tank leak.

INSTALLATION

NOTICE: The tank must be completely empty of air and full of water before connecting electrical power to avoid “Dry Firing.” Dry Firing may result in the upper element burning out. This is a common installation mistake. After you make the water connections, but before you connect the electrical power, open a hot water faucet and let the water run full until all the air is removed. Let the “hot” water run full for three minutes or longer before connecting any electrical wires. A Dry Fired upper heating element is an installation error and is not covered under warranty.

This model is equipped with Dry-Fire protection, which will activate an error code if the above steps are not fully followed.

Step 9:

Make electrical connections

▲ WARNING! Working on an energized circuit can result in severe injury or death from electrical shock.

NOTICE: Although this water heater is equipped with Dry-Fire protection, be sure the tank is completely filled with water and all the air is purged from the tank, before making any electrical connections.

- 1 Be sure the electrical power to the water heater is turned OFF at the circuit breaker panel (or remove the circuit’s fuses).
- 2 Using a non-contact circuit tester, check the wiring to make certain the power is OFF.

- 3 Check the water heater’s data plate and ensure that the home’s voltage, wiring size (ampacity) and circuit breaker rating and type are correct for this water heater. Refer to the wiring diagram located on the water heater for the correct electrical connections. Ensure that wire sizes, type, and connections comply with all applicable local codes. In the absence of local codes, follow NFPA-70 and the current edition of the National Electric Code (NEC).

- 4 Remove the cover on the electrical junction box on the top of the water heater.

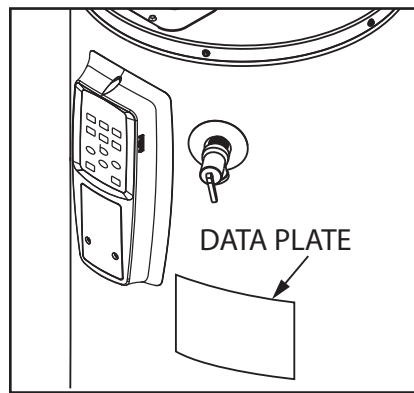


Figure 17 - The water heater’s electrical requirements can be determined from the data plate.

- 5 Install wiring in an approved conduit (if required by local codes). Use a UL listed or CSA approved strain relief to secure the electrical wiring to the water heater.
- 6 Connect the ground wire to the green ground screw. Connect the home’s two power wires to the water heater’s two power wires (black to black, red to red). Use suitable twist-on wire connector or other approved means to make the power connections.

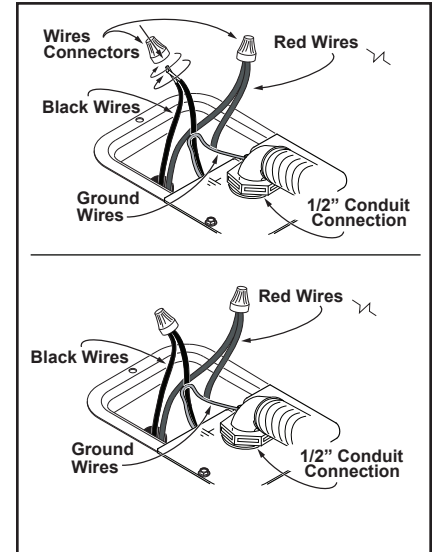


Figure 18 - Connecting the electrical wires.

- 7 Replace the junction box cover and secure with the screws provided.

▲ WARNING! Be sure cover is secured to reduce the risk of fire and electric shock.

INSTALLATION

Step 10:

Installing the Leak Detection Sensor

The leak detect sensor LDS does not provide protection against a water leak, it only provides notification that water is present in the location of the sensor. When a leak is detected the control assembly will display an error code accompanied by a flashing light and audible signal. If the presence of water is indicated disconnect power to the water heater, turn off the incoming water off and address the source of the leak before returning the unit to service. See included kit instructions found with the LDS, for detailed installation instructions.

- 1 Connect the LDS to the lower door connector.
- 2 Attach the LDS to the heater or drain pan using the tape on the back of the LDS. Ensure the metal probes point down.
- 3 Use the included wire clamps to organize the wires.

Step 11:

Adjusting the Temperature

With the installation steps completed, you may adjust the water heater's temperature setting if desired.

▲ WARNING! Be sure panels are secured to reduce the risk of fire and electric shock.

- 1 Turn the electric power back on.

- 2 Set the thermostat to the desired temperature, on the control assembly. See "Adjusting the Control Assembly's Operational Modes," page 17. The set point on this water heater has been factory set to approximately 120°F to reduce the risk of scald injury. You may wish to set a higher temperature to provide hot water for automatic dishwashers or laundry machines, to provide more hot water capacity, and to reduce bacterial growth. Higher tank temperatures (140° F) kill bacteria that cause a condition known as "smelly water" and can reduce the levels of bacteria that cause water-borne diseases.

▲ WARNING! Higher temperatures increase the risk of scalding, but even at 120°F, hot water can scald (see page 4).

If you increase the water heater's temperature setting, install Thermostatic Mixing Valve(s) at each point-of-use to reduce the risk of scalding.

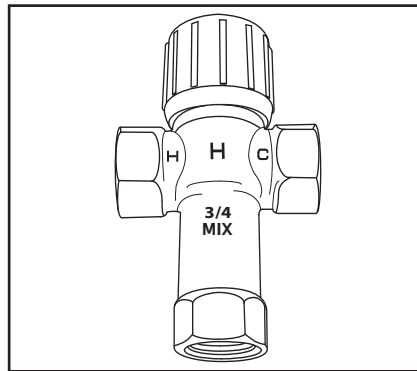


Figure 19 - Adjust Thermostatic Mixing Valves at each point-of-use to 120°F or lower.

▲ WARNING! Working near an energized circuit can result in severe injury or death from electrical shock. Check wires with a circuit tester to make sure power is off.

- 3 Wait for the water to heat up. It may take several hours for a tank of cold water to heat up. If you have no hot water after two hours, refer to the "Troubleshooting Section," page 22.

▲ WARNING! If you have increased the temperature setting and the Thermostatic Mixing Valves are not set properly (or not installed) you could scald yourself while checking the temperature.

- 4 Check water temperature at several points of use in your home (for example, bathtub faucet, shower, or lavatory sink) and adjust the Thermostatic Mixing Valves as needed. If you aren't sure how to adjust the Thermostatic Mixing Valve settings, or aren't sure if you have Thermostatic Mixing Valves, contact a qualified person.

Step 12:

Operation

Remove/pull out the battery protective tab from the left side of the control assembly. The water heater is now ready for normal operation. To keep your water heater working safely and efficiently and extend its life, perform maintenance according to the suggested maintenance schedule. See "Maintenance," page 25.

Turn the electric power on at the circuit breaker panel, or fuse box. Power to the water heater will allow the water heater to run a system diagnostic. This typically takes a few minutes. Once complete, proceed to the Operations section of this manual.

NOTICE: If the system diagnostic yields any codes, reference the diagnostic codes section in this manual.

OPERATION

General Operation (Control Assembly)

IMPORTANT: On the initial start up of the unit, the water heater will go through a seven (7) to ten (10) minute diagnostic period prior to heating the water.

NOTICE: If the water is warm/hot, the unit will not go through the diagnostic period.

The primary function of the control assembly is to heat the water in the tank until it reaches the Control setpoint. The control assembly has two means of heating the water, the upper element and the lower element. After reaching the control setpoint, the temperature in the tank is allowed to drop a pre-determined amount before the elements are turned on again.

At any given time, the control assembly only energizes one element at a time.

NOTICE: The control logic of the control assembly is designed so that the upper heating element will always have priority over the lower heating element when both elements call for heat. The temperature regulation will not be performed until after the Dry-Fire detection testing indicates that there is sufficient water in the tank.

Vacation Mode (Control Assembly)

To save energy, lower the temperature setting on the thermostat if you plan to be gone for an extended time.

Follow the instructions in Step 11 for adjusting the thermostat to a lower temperature setting before you leave and to properly raise the temperature setting when you return. See "Adjusting the Control Assembly's Operational Modes," page 17.

NOTICE: Vacation/Cabin mode has a fixed set point of 50°F.

The default vacation days are preset at 7 days. The vacation days can be adjusted between 1 ~ 99 and so on.

To adjust the days, press the VACATION button followed by the Up/Down buttons. To confirm the desired settings, press the Enter button.

When the vacation days decrease to 8 hours remaining, the control assembly will automatically switch to STANDARD mode.

NOTICE: Normally the display will only show the remaining vacation days.

▲ CAUTION! Hydrogen gas builds up in a hot water system when it is not used for a long period (two weeks or more). Hydrogen gas is extremely flammable. If the hot water system has not been used for two weeks or more, open a hot water faucet for several minutes at the kitchen sink before using any electrical appliances connected to the hot water system. Do not smoke or have an open flame or other ignition source near the faucet while it is open.

Hot Water+ Mode

This feature increases the amount of usable hot water available to better match your daily needs. It stores additional thermal energy by increasing the temperature of the water in the tank. As hot water is drawn from the tank the integrated smart valve combines with cold water to mix to the desired water temperature set on the controls.

By default, this function is deactivated, but can be enabled to three increasing levels of performance using the Hot Water+ Mode button on the Control Assembly (Figure 20). Hot Water+ Mode is optimized for the factory 120°F/49°C outlet water temperature setting and will have decreasing benefits as the set temperature is increased.

When Hot Water+ Mode is activated, the LED indicator for the selected operating mode will remain lit.

Guest Mode

This mode maximizes the amount of hot water available for holidays or other times with higher than normal hot water usage. It stores additional thermal energy by increasing the temperature of the water in the tank. As hot water is drawn from the tank the integrated smart valve combines with cold water to mix to the desired water temperature set on the controls.

When Guest Mode is selected, the duration timer will be displayed. The default Guest Mode days are preset at 3 days duration. Press the Up and Down buttons to modify the timer to the desired number of Guest Mode days (setting range: 1 to 7 days). The timer will blink on the display; press the Mode/Enter button to confirm the Guest Mode timer. The water heater will revert to the previous operating mode when the duration has expired.

NOTICE: Operating the water heater in Guest Mode may increase energy consumption.

OPERATION

Adjusting the Control Assembly's Operational Modes

Water Temperature Adjustment

IMPORTANT: On the initial start up of the unit, the water heater will go through a seven (7) to ten (10) minute diagnostic period prior to heating the water. Before attempting to adjust the thermostat, read the "Important Safety Information," page 4. If the instructions are not clear, contact a qualified service technician.

The water temperature can be adjusted from 95° F to 150° F by pressing the followed by the button to lock in the desired temperature. The control assembly is unlocked by default, to lock the display after setting the parameters, press the button.

Operating Mode Descriptions

If locked, the operating modes can be changed by holding the button for approximately 3 seconds, then touching the desired mode icon on the control assembly. See Figure 20.

	STANDARD - Pressing this button will allow the temperature set point to be set directly.
	VACATION MODE - The controller adjusts the set point to approximately 50°F. This mode is recommended when the water heater is not in use for a long period of time. This mode minimizes energy consumption and prevents the water heater from freezing during cold weather.
	HOT WATER+ MODE - Allows the user to enable three levels of increasing performance while maintaining the temperature set point.
	GUEST MODE - Provides maximum performance and capacity for higher than normal hot water usage. Selecting this mode may increase energy consumption.
	SMART GRID CONTROL - Pressing this button will enable or disable a request for grid control. See page 19.
	CONTROL ASSEMBLY LOCK - Holding this button for more than 3 seconds switches the lock mode on or off. When the User Module is locked, a symbol and "Lock" text will be visible on the display.
	Wi-Fi - Press the Wi-Fi button once to activate the Wi-Fi signal. The signal will turn off after 15 min of inactivity.
°F/°C	°F/°C - This button, when pressed in combination with the "Enter" button switches the display to show the set temperature in Fahrenheit or Celsius.
102	Fault condition will display a three digit fault code with Alert Icon flashing. See "Control Assemble Diagnostic Code Chart," page 20.
	HEATING CYCLE ICON - Indicates the water heater is in a heating cycle and the elements are energized.
	ALERT INDICATOR - Indicates when there is a Warning/Fault.
DAYS	DAYS - Indicates the number of days (1 to 99+) the unit will be in vacation mode are being set.

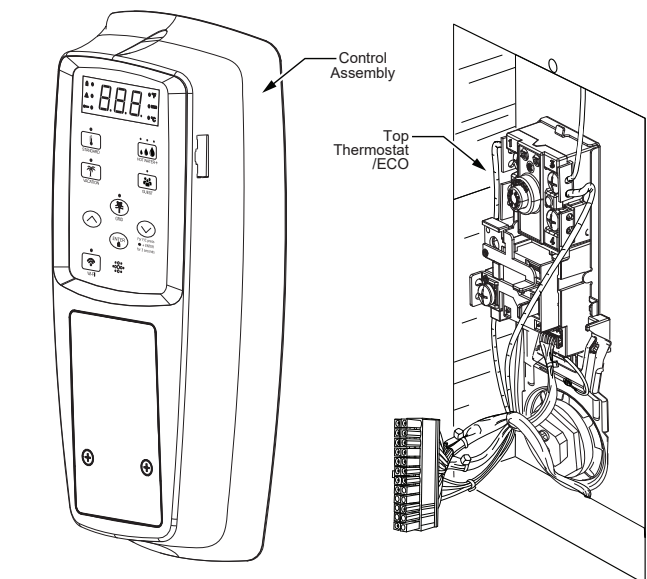
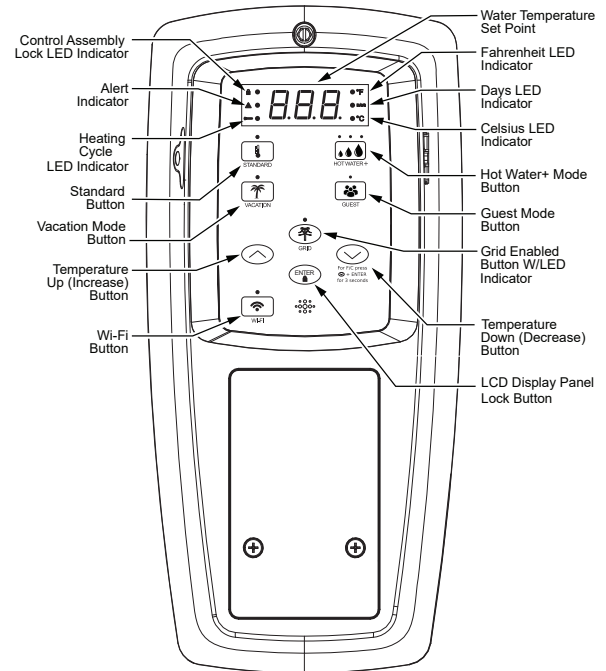


Figure 20 - Control Assembly

OPERATION

Wi-Fi (Control Assembly)

This water heater comes equipped with the iCOMM™ remote monitoring system. It allows users to monitor critical operations and diagnose issues remotely using the manufacturer's water heater app (available for IOS and Android).

The iCOMM™ system can automatically notify selected personnel via email and/or cellular phone text messages if operational problems occur.

It is recommended the water heater app be installed on the homeowner's device prior to setting up the Wi-Fi function on this water heater.

IMPORTANT: By enabling and connecting your water heater to Wi-Fi, you are granting permission to the manufacturer to push "over-the-air" (OTA) updates to the water heater and to collect telemetry data regarding the water heater. The OTA updates may be pushed periodically to address bugs and provide security patches. Refer to the Terms and Conditions at www.aosmith.com/Utility-Pages/Terms-and-Conditions/ for more details. Also, refer to www.aosmith.com/Privacy-Policy/ for more information about how we collect and use data.

Wi-Fi Set Up

The Wi-Fi signal is set to Off by default and will not produce a signal until activated.

NOTICE: Have the router SSID and password ready.

- Download the iCOMM Utilities app for your smart phone.



- Launch the iCOMM Utilities app on your smart phone, then follow the simple steps. The iCOMM Utilities app makes it easy to set up, program and control your Water Heater.
- Create an account or log in to your existing account and tap the "add a water heater" button.
- When the app prompts you to activate the Wi-Fi signal proceed with the following steps:

- 1 To activate the Wi-Fi signal, press the Wi-Fi button once. The LED will blink on and off in 0.5 second intervals. Wi-Fi will activate pairing mode (Figure 21).

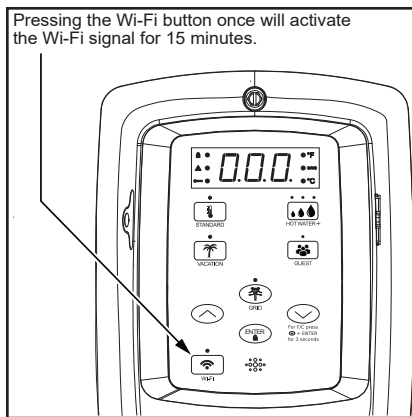


Figure 21 - Wi-Fi Control

- 2 The app will display a temporary Wi-Fi network to connect to your device. Select the network that matches the water heater DSN value, and your device will connect to the Wi-Fi radio on the Control Assembly:

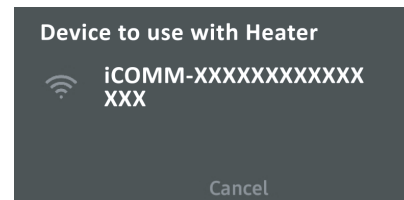


Figure 22 - Select Temporary Network

- 3 The app will begin the communication process of linking your water heater to your Wi-Fi router.

- 4 Select your preferred Wi-Fi network from the list on the app. LED will pulse from dim to bright, when attempting to connect to local network. If the app does not prompt you with a list of available Wi-Fi networks, access Wi-Fi settings on your device and select your preferred network.

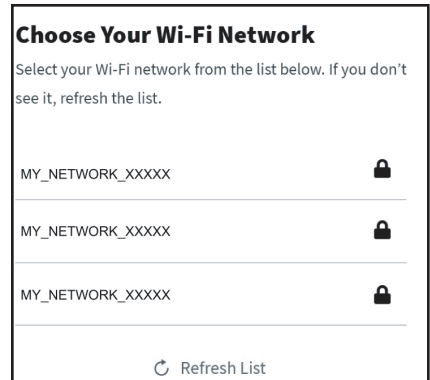


Figure 23 - Select Your Wi-Fi Network

NOTICE: Your water heater does not support the following:

- 5GHz Wi-Fi
- WPA3 Security Protocol

- 5 The app will attempt to connect with your Wi-Fi network. We recommend connecting to a Wi-Fi network that has been secured with a password. The LED will hold solid when connected.
- 6 The app will display your water heater's settings.
- 7 Configure your water heater's Set Point, Mode, and Time of Use Rate Plan if applicable.

NOTICE: If the Wi-Fi signal is to be terminated, press and hold the Wi-Fi button for 3 seconds. The Control Assembly will beep once. This will turn the Wi-Fi signal off. The Control Assembly resets and the LED display will turn off. Press and hold the Wi-Fi button for 9 seconds to remove the original connected network from the Control Assembly memory.

OPERATION

Smart Grid Technology

The electric Smart Grid will enable significant improvements in electric power reliability and quality through reduction of peak power demand, while providing consumers the knowledge and ability to manage their energy consumption and utility costs.

According to the Department of Energy (DOE), since 1982 the growth in peak electricity demand has exceeded power transmission growth. This has caused more frequent blackouts and service interruptions, as well as an increase in the costly reserve capacity the power grid requires to meet higher peak demands. The increased demand for electrical power across the nation has also led to higher peak utility costs.

Smart appliances are one way to help mitigate this problem. By using advanced digital communication technologies, smart appliances will be able to communicate with local power company or home energy management systems, and react accordingly to save energy and money. For example, during peak demand periods the water heater may pause or delay its power consumption and thus reduce the load on the smart utility grid. Additionally, smart appliances will also communicate with consumers to let them know how much energy they are consuming. This will eventually allow consumers to control their appliances, manage energy usage, and to ultimately save money.

Home Automation, Smart Grid Control (Where Available)

Where available, grid communication adaptors called Unitary Control Modules (UCM) may be supplied by the local power company or purchased from leading retailers. A UCM is a direct digital thermostat that provides integrated control of the units thermostat. Please contact your local power company for more information.

▲ WARNING! Electrical Shock Hazard
Disconnect power before servicing.
Replace all parts and panels before operating. Failure to do so can result in death or electrical shock.

To activate Smart Grid Control, Turn "OFF" electric power to the water heater at the circuit breaker/fuse box. Using a non-contact circuit tester, check the power wires to make certain the power is OFF. Remove the cover over the grid connection pins and plug in the UCM grid communication adaptor and return power to the water heater at the circuit breaker/fuse box. See Figure 24.

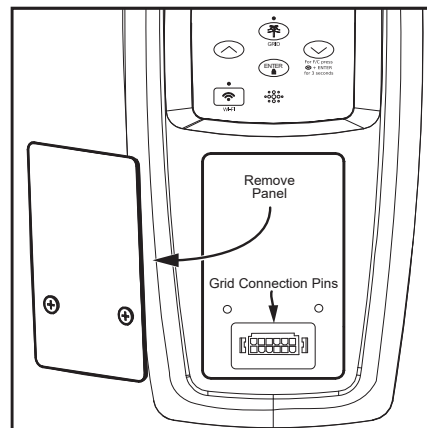


Figure 24 - Accessing Smart Grid Connection Pins

NOTICE: Use only approved grid communication adaptors. This will enable the power company to communicate the peak demand periods for the water heater's power usage.

After this connection has been made, the grid control is automatically enabled. Press Enter to confirm UCM is present. This action will be followed by a solid LED from the grid indicator. See Figure 25.

Enabling this feature will allow acceptance of the power company communication of grid management requests.

NOTICE: The LED will blink when the power company has control of the unit.

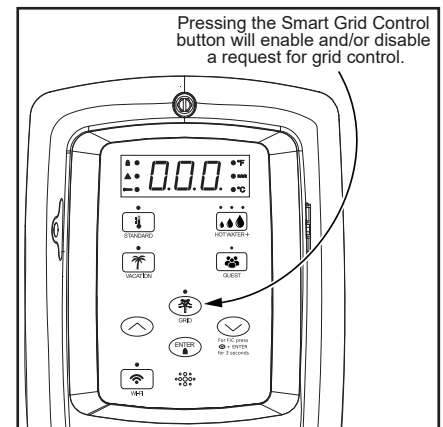



Figure 25 - Smart Grid Control Button

 To disable (override) grid control, press the Smart Grid Control button. This action will be followed by a 72 hour timer. Remove CTA 2045 UCM. Press Enter to confirm the disconnection. The LED will turn off.

NOTICE: If the CTA 2045 UCM is not removed followed by the pressing the Enter button, the grid will be enabled automatically once the 72 hour timer has ended.

TROUBLESHOOTING

CONTROL ASSEMBLY DIAGNOSTIC CODE CHART

IMPORTANT: Before attempting to adjust the thermostat, read the “Important Safety Information” section page 4.

If the instructions are not clear, contact a qualified person.

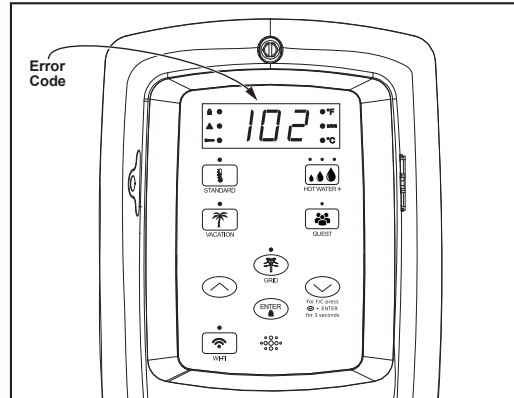


Figure 26 - Control Assembly Diagnostic Coding

ERROR CODE	INDICATES	CORRECTIVE ACTION*
No Error Code Displayed Not Enough Hot Water	High usage, plumbing leak, operating mode adjustment.	<ol style="list-style-type: none"> 1. Check for plumbing leak. 2. Adjust temperature; see scald warnings on heater and in manual. 3. Contact a qualified person to perform a volume test.
No Error Code Displayed Water Too Hot	Water temperature set too high or grounded element.	<ol style="list-style-type: none"> 1. Reduce temperature setting. 2. Contact a qualified person to test for the grounded element and replace if necessary.
No Error Code Displayed No Hot Water	No power, control panel or thermostat operation	<ol style="list-style-type: none"> 1. Turn off electrical power at breaker. 2. Unplug and reconnect 24 pin connector. 3. Turn on electrical power at breaker 4. Contact a qualified person to verify correct voltage to unit. <p>NOTICE: If the control panel was not connected via WiFi the time will need to be set.</p>
001 with an alert indicator flashing. (also flashing red LED and beeper.)	Dry-fire, electrical power on with the tank not completely full of water.	<ol style="list-style-type: none"> 1. Turn off electrical power at breaker. Add water, open a hot water faucet to bleed all air until water flows without air bursts. 2. Turn on electrical power at breaker. 3. See “Important Safety Information,” page 4.
002 with an alert indicator flashing. (also flashing red LED and beeper.)	Water temperature exceeded high limit. ECO	<ol style="list-style-type: none"> 1. Turn off electrical power at the breaker. 2. Press the reset button. See Figure 27. 3. Turn on electrical power at breaker. 4. If error returns contact a qualified technician to test for the grounded element. Replace as needed. 5. If both elements test good, replace the upper thermostat. 6. Turn on electrical power at breaker.
003 with an alert indicator flashing. (also flashing red LED and beeper.)	Upper thermistor sensor failure. NOTICE: Upper thermistor sensor is part of the thermostat.	<ol style="list-style-type: none"> 1. Turn off electrical power at the breaker. 2. Check electrical connections at thermostat. 3. If there are no issues with the wiring, replace the thermostat. 4. Turn on electrical power at breaker. <p>NOTICE: The control panel will go into Limp Mode until the failure is corrected. See page 22.</p>
004 with an alert indicator flashing. (also flashing red LED and beeper.)	Lower thermistor sensor failure. NOTICE: Lower thermistor sensor is part of the thermostat.	<ol style="list-style-type: none"> 1. Turn off electrical power at the breaker. 2. Check electrical connections at thermostat. 3. If there are no issues with the wiring, replace the thermostat. 4. Turn on electrical power at breaker. <p>NOTICE: The control panel will go into limp mode until the failure is corrected. See page 22.</p>
006 with an alert indicator flashing. (also flashing red LED and beeper.)	Internal Processor Error - Frequency Fault - Standard AD Reference Fault - Non-Volatile Memory Fault	<ol style="list-style-type: none"> 1. Turn off electrical power at the breaker. Now turn on electrical power to see if error clears. If error has not cleared, replace the control assembly. 2. Turn on electrical power at breaker.
021 with an alert indicator flashing. (also flashing red LED and beeper.)	Upper element circuit failure. NOTICE: Lower element is still operable.	<ol style="list-style-type: none"> 1. Turn off electrical power at the breaker. 2. Check element circuits for resistance of 5-25 ohms (replace if required). 3. Check wires at elements and thermostat for damage. 4. Turn on electrical power at breaker. 5. If the error persists, contact a qualified person. <p>NOTICE: The control assembly will go into limp mode until the failure is corrected. See page 22.</p>

TROUBLESHOOTING

ERROR CODE	INDICATES	CORRECTIVE ACTION*
022 with an alert indicator flashing. (also flashing red LED and beeper.) NOTICE: False alarms can occur due to multiple repeated draws, such as using a recirculation pump.	Lower element circuit failure. NOTICE: Upper element is still operable.	<ol style="list-style-type: none"> 1. Turn off electrical power at the breaker. 2. Check element circuits for resistance of 5-25 ohms (replace if required). 3. Check wires at elements and thermostat for damage. 4. Turn on electrical power at breaker. 5. If the error persists, contact a qualified person. NOTICE: The control assembly will go into limp mode until the failure is corrected. See page 22.
029 with alert indicator flashing (also flashing red LED and beeper)	Outlet temperature sensor failure NOTICE: Guest Mode and Hot Water + Mode will be unavailable until the failure is corrected. During this period, the temperature can be adjusted to the desired set point.	<ol style="list-style-type: none"> 1. Turn off electrical power at the breaker. 2. Disconnect and reconnect the J3 connection from control board. 3. Inspect wires for damage. 4. Re-install Control Assembly. 5. Reconnect power to water heater. 6. If error persists, replace outlet temperature sensor..
031 with an alert indicator flashing. (also flashing red LED and beeper.)	Water Leak	<ol style="list-style-type: none"> 1. Turn off electrical power at the breaker, check all electrical connections, and wiring for damage. 2. Check for plumbing leaks and correct accordingly. 3. If tank is leaking, replace the unit. 4. Turn on electrical power at breaker.
044 with alert indicator flashing (also flashing red LED)	SAC anode depleted	<ol style="list-style-type: none"> 1. Turn off electrical power at the breaker. 2. Check anode circuits for resistance of 0 ohms. If the ohms do not read 0 ohms, skip to step 4. 3. Check wires and connections at the anode and control assembly. If the error is still present, proceed to the following three steps. 4. Shut off the cold water valve at the main line and open a hot water faucet to release pressure from the water heater 5. Remove anode rod (see page 25). 6. Inspect anode rod and replace if necessary.
045 with an alert indicator flashing. (with flashing red LED.)	Battery Low Energy	<ol style="list-style-type: none"> 1. Make sure the battery protective tab has been properly removed from the battery tray, located on the left side of the control assembly. 2. Locate the battery tray on the side of the control assembly. 3. Remove the the phillips head screw, slide the battery tray out from the control panel. 4. Remove the old BR2032 battery and replace with Panasonic® BR2032 or Murata CR2032 battery only. Use of another battery may present a risk of fire or explosion. 5. Reinstall the battery tray with new battery and hand tighten the phillips head screw to secure the battery tray in the control assembly. NOTICE: If the control assembly was not connected via WiFi or powered by a power source, the time will need to be set.
046 with an alert indicator flashing. (also flashing red LED and beeper.)	Shut-off Valve Error (If applicable)	<ol style="list-style-type: none"> 1. Turn off electrical power. Shut off the cold water valve at the main line and open a hot water faucet to release pressure from the water heater. 2. Check the shut-off valve, making sure the valve is not stuck in the open or closed position. 3. Replace the shut-valve, if needed. 4. Turn on electrical power at breaker. 5. Open the cold water valve to fill the heater with water, open a hot water faucet to bleed all air until water flows without air bursts.
047 with alert indicator flashing (also flashing red LED)	Smart Valve failure NOTICE: Guest Mode and Hot Water + Mode will be unavailable until the failure is corrected. During this period, the temperature can be adjusted to the desired set point.	<ol style="list-style-type: none"> 1. Turn off electrical power at the breaker. 2. Reconnect power to water heater. If error persists, replace Smart Valve (see "Replacing the Smart Valve," page 38).
101 with an alert indicator flashing. (also flashing red LED and beeper.)	Upper Thermostat Error	<ol style="list-style-type: none"> 1. Turn off electrical power at the breaker, check all electrical connections, and wiring for damage. 2. Replace the thermostat. 3. Turn on electrical power at breaker.
102 with an alert indicator flashing. (also flashing red LED and beeper.)	Lower Thermostat Error	<ol style="list-style-type: none"> 1. Turn off electrical power at the breaker, check all electrical connections, and wiring for damage. 2. Replace the thermostat. 3. Turn on electrical power at breaker.
103 with an alert indicator flashing. (also flashing red LED and beeper.)	Upper Relay Stick <ul style="list-style-type: none"> • Unrecoverable unit power cycle • Heating Disable 	<ol style="list-style-type: none"> 1. Turn off power to the water heater. 2. Contact Technical Support.
104 with an alert indicator flashing. (also flashing red LED and beeper.)	Lower Relay Stick <ul style="list-style-type: none"> • Unrecoverable unit power cycle • Heating Disable 	<ol style="list-style-type: none"> 1. Turn off power to the water heater. 2. Contact Technical Support.

*These instructions are brief and intended as guidance for a qualified person. If you lack the necessary skills to perform these procedures call 1-800-527-1953 for assistance.



TROUBLESHOOTING

▲ WARNING! Working near an energized circuit can result in severe injury or death from electrical shock. When you are finished, be sure all covers are secured to reduce the risk of fire and electric shock.

Limp Mode

The heater will continue operating with one failed heating element by switching into Limp Mode. Example:

- If the control module determines that the lower thermistor or lower element has failed, the lower element call for heat will be canceled. The upper element call for heat will still allow the upper element to heat the water as needed.
- If the control module determines that the upper thermistor or upper element has failed, the lower element will be allowed to heat the water as needed.

NOTICE: The control assembly will operate in Limp Mode until the failure is corrected.

No Hot Water

The most likely reasons for an electric water heater to produce NO hot water are:

- No electric power—a common problem with new installations
- Burned out upper element
- Tripped Energy Cut Off (red button on electronic thermostat)
- The water heater's inlet and outlet connections are reversed (usually only in new installations)
- Broken electronic thermostat (or wiring)
- A leak in the hot water side of the plumbing system that exceeds the water heater's heating capacity and makes it appear that the water heater is producing little to no hot water.

Follow these steps to diagnose and correct common electrical problems:

- 1 Check the electric power to the water heater.** No hot water is often caused by a problem with the home's electrical wiring or circuit breakers. You'll need a non-contact circuit tester. Follow these guidelines:
 - Locate the water heater's circuit breaker and turn it off (or remove the circuit's fuses).
 - Locate the electrical junction box on top of the water heater and remove the cover.
 - Identify the two power wires. The power wires are connected to the black/red wires from the water heater—the green or copper wire is the ground wire.
 - Turn the circuit breaker back on (or install the fuses) and check the power on both incoming power wires using a non-contact circuit tester.
 - Turn the power off and replace the cover on the electrical junction box.

If the water heater is not getting power, contact a qualified person to have your home's wiring or circuit breakers checked.

- 2 Check/Reset Energy Cut Off (ECO) Button.**

The Energy Cut Off (ECO) shuts off power to the water heater's elements if the temperature of the water in the tank gets too hot. If the ECO has tripped, you'll have no hot water. A tripped ECO can usually be reset, but you should have a qualified person investigate the cause of the overheating and repair the problem. Do not turn the power back on until the cause

of the overheating has been identified and repaired.

To check the Energy Cut Off (ECO)

- Turn off the power to the water heater.

▲ WARNING! Working near an energized circuit can result in severe injury or death from electrical shock. Check power wires in the electrical junction box with a non-contact circuit tester to make sure power is off.

- Press the red ECO reset button. See Figure 27.

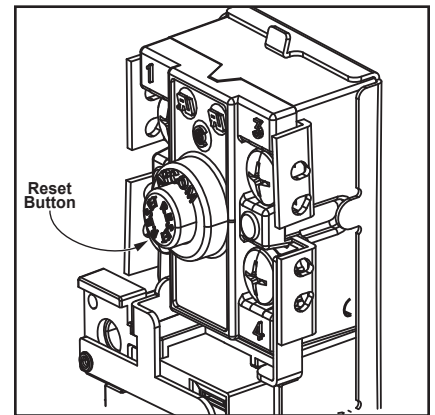


Figure 27 - Energy Cut Off (ECO) button

- The ECO was tripped if you hear a click when it is reset. In most cases, a tripped ECO indicates that the tank overheated due to a problem with one of the elements or thermostats—have a qualified person check the upper/lower elements and the upper/lower thermostats. Replace any of the components if necessary.
- The ECO was not tripped if you didn't hear a click. In that case, the thermostats should be checked by a qualified person.
- Replace the insulation and both the upper and lower access panels.

WARNING! Be sure all covers are secured to reduce the risk of fire and electric shock.

TROUBLESHOOTING

Insufficient Hot Water or Slow Hot Water Recovery

▲ WARNING! Because of the increased risk from scalding, if you set the water heater's thermostat higher than 120°F, Thermostatic Mixing Valves at each point-of-use are particularly important (see page 4 and Figure 8).

If the hot water is simply not warm enough, there are several possible causes:

- Faulty Thermostatic Mixing Valve in a faucet or shower control (check other faucets in the house for hot water)
- Temperature set too low on the control assembly
- Water heater's capacity too small (or usage too high)
- Reversed plumbing connections or melted dip tube (usually found soon after new installation)
- Plumbing leak
- Low supply voltage
- Lower Thermistor

Thermostatic Mixing Valves. If the hot water is simply not warm enough, make sure the faucet you are checking doesn't have a defective Thermostatic Mixing Valve. Many shower controls now have built-in mixing valves. If these devices fail, they can reduce the amount of hot water the shower or faucet delivers even though there is plenty of hot water in the tank. Always check the water temperature at several faucets to make sure the problem is not in a faucet or shower control.

Thermostat set too low. If the water temperature at several faucets is too cool, adjust the thermostat(s) through the control assembly according to the

instructions on page 17 of the Operation section of this manual.

Undersized water heater. If your water heater runs out of hot water too quickly, it may be too small for your needs. If the water heater is old, consider replacing it with a larger model. If the water heater is in good condition, you may be able to meet your family's hot water needs with the existing water heater by installing Thermostatic Mixing Valves at each point-of-use and then turning the thermostat(s) to a higher setting. See page 15, step 11.

You can also reduce your home's hot water needs by washing clothes in cold water, installing flow restrictors on shower heads, repairing leaky faucets, and taking other conservation steps.

Reversed connections or melted dip tube. Check the hot and cold connections and make sure your home's hot water pipe is connected to the hot water outlet on the water heater. Usually, reversed connections are found soon after the installation of a new unit. If copper pipes were soldered while they were attached to the water heater, the dip tube may have melted. The dip tube is a long plastic tube inside the tank attached to the cold water inlet. If the dip tube has melted, it can be replaced by removing the cold water inlet connection, removing the old dip tube and installing a new one.

Plumbing leak. Even a small leak in the hot water side of the home's plumbing system can make it appear that the water heater is producing little to no hot water. Locate and repair the leak.

Lower heating element not working. If the lower heating element is not working, you will have some hot water but not as much as before. Because the lower element does most of the work,

the lower element usually wears out before the upper element. Replace the lower element if necessary (see page 27).

Temperature Too High

If the water temperature is too hot:

- Install or adjust the Thermostatic Mixing Valves for each point-of-use (see manufacturer's instructions), or
- Adjust the temperature setting on the control assembly.

A non functioning thermostat or a shorted heating element can cause extremely hot water. If the Temperature and Pressure Relief Valve (T&P Valve) releases large amounts of very hot water, it is likely due to a shorted heating element, or more rarely a non functioning thermostat, or the thermostat does not fit snugly against the tank. Very high water temperatures can also cause the Energy Cut Off (ECO) to trip (see page 22). Turn power off until this problem is fixed.

Low Water Pressure

Check both the cold and hot water at a sink to determine if the lower pressure is only on the hot water side. If both hot and cold faucets have low pressure, call your local water utility. If the low pressure is only on the hot water side, the primary causes of this are:

- Melted heat traps or dip tube. Soldering copper pipes while they are connected to the water heater can melt the heat traps inside the hot and cold water connections or the dip tube (cold water side). Melted heat traps or a melted dip tube can restrict the flow of hot water. If that's the case, replace the heat traps or dip tube.
- Partially closed supply valve. Open the water heater's supply valve fully.

TROUBLESHOOTING

Drips from T&P Relief Valve Discharge Pipe

A small amount of water dripping from the Temperature and Pressure (T&P) Relief Valve usually means the home's water pressure is too high or you need a properly sized and pressurized Thermal Expansion Tank. Refer to Step 1 in the Installation section of this manual for more information. A large amount of hot water coming from the T&P discharge pipe may be due to the tank overheating.

▲ WARNING! Do not cap or plug the T&P relief valve or discharge pipe, and do not operate the water heater without a functioning T&P Relief Valve - this could cause an explosion.

Water pressure too high. High water pressure can cause the T&P Relief Valve to drip. Install a Pressure Reducing Valve (PRV) on the main cold water supply line. Adjust the PRV to between 50 and 60 psi.

Thermal Expansion Tank. Install a Thermal Expansion Tank. If a Thermal Expansion Tank is already installed and the T&P Relief Valve discharge pipe drips, the Thermal Expansion Tank may be pressurized to the wrong pressure or the internal bladder may be defective. Refer to the instructions that came with the Thermal Expansion Tank for more information.

Debris. In rare cases, debris can stick inside the T&P Relief Valve preventing the valve from seating fully. In that case, the T&P Relief Valve discharge pipe will drip. You may be able to clear debris from the T&P Relief Valve by manually operating the valve, allowing small quantities of water to flush out the debris. Refer to the T&P Relief Maintenance section of this manual.

▲ WARNING! When manually operating the temperature-pressure relief valve, make sure that no one is in front of or around the discharge outlet. The water may be extremely hot and could cause severe burns. Also ensure that the water discharge will not cause property damage.

If the water pressure is between 50 and 60 psi, a Thermal Expansion Tank is installed and properly pressurized, and the valve has been cleared of any debris, and it still drips, the valve may be broken—have a qualified person replace the T&P relief valve.

Water Odor

Harmless bacteria normally present in tap water can multiply in water heaters and give off a “rotten egg” smell. Although eliminating the bacteria that causes “smelly water” with a Chlorination system is the only sure treatment, in some cases, the standard anode rod that came with your water heater can be replaced with a special zinc anode rod which may help reduce or eliminate the odor. Contact a qualified person.

NOTE: To protect the tank, an anode rod must be installed in the water heater at all times or the warranty is void.

In cases where the “rotten egg” smell is pronounced, you can raise the tank temperature to 140°F in order to reduce bacteria growth in the tank.

▲ WARNING! Because higher temperatures increase the risk of scalding, if you set the thermostat(s) higher than 120°F, Thermostatic Mixing Valves at each point-of-use are particularly important (see page 4).



MAINTENANCE

Routine Maintenance

Routine maintenance will help your water heater last longer and work more efficiently. If you can't perform these routine maintenance tasks yourself, contact a qualified person.

Water Heater Maintenance

After the first six months, drain and flush the water heater and inspect the anode rod. Depending on the hardness of your water, repeat this process at least annually, or more frequently if needed. From time to time you may need to replace a heating element or the electronic thermostat. All three maintenance tasks are described below.

Draining and Flushing the Water Heater

Tap water contains minerals that can form lime deposits on heating elements or sediment in the bottom of the tank. The amount of lime deposits or sediment depends on the hardness of your tap water. The rate at which sediment builds up depends on water quality and hardness in your area, the temperature settings, and other variables. We recommend draining and flushing the water heater after the first six months of operation to determine the amount of sediment build up. Draining sediment extends the life of the tank, heating elements, and drain valves.

- In areas with very hard water, remove and check the heating elements whenever you drain the tank. If you have heavy lime deposits on heating elements, you will need to replace them more often.

- Sediment may form large masses that can prevent the tank from draining. Have a qualified person use a de-liming agent suitable for potable water to remove the sediment buildup.
- In most cases, it is easier and cheaper to replace lime-encrusted elements than trying to remove heavy lime deposits.

To drain and flush the tank:

- 1 Locate the water heater's circuit breaker and turn it OFF (or remove the circuit's fuses).

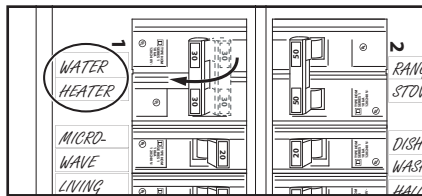


Figure 28 - Circuit Breaker

- 2 Open a hot water faucet and let the hot water run until it is cool.

▲ WARNING! Be sure the water runs cool before draining the tank to reduce the risk of scalding.

- 3 Connect a garden hose to the drain valve and place the other end of the hose in a drain, outside, or in buckets.

- 4 Turn the cold water supply valve OFF.

- 5 Open the drain valve on the water heater.

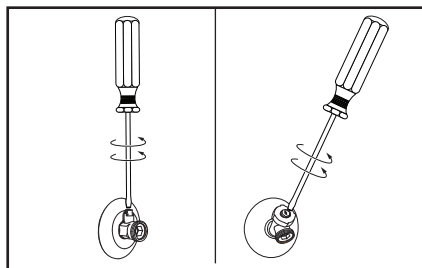


Figure 29 - Open Drain Valve

- 4 Open a hot water faucet to help the water in the tank drain faster.

NOTICE: DO NOT reconnect power to water heater unless the tank is completely full of water. This is an additional precaution to protect the elements against dry fire. Dry fire occurs when power is supplied to the electric elements without sufficient water in the heater. Dry firing the unit will result in immediate failure of the element. While this unit is equipped with dry fire protection, the recommended practice is to ensure the tank is filled with water prior to supplying power to the unit. For complete instructions on filling the tank, follow "Step 13" on page 16 in the installation section of this manual.

- 5 If sediment was present when the tank was drained, flush the tank by opening the cold water supply valve and letting the water run until no more sediment drains from the tank. Close the drain valve when you are done.

- 6 Refill the tank by opening the cold water supply valve. Make sure a hot water faucet is open and the drain valve is closed. Allow the hot water to run full for at least three minutes to make sure the tank has all the air removed and is completely full of water. Failure to perform this step can cause the upper heating element to burn out. Once you are certain the tank is completely full of water, close the hot water faucet.

- 7 Turn **ON** power to the water heater at the circuit breaker/fuse box. It may take two hours for the tank to heat up.

MAINTENANCE

Replacing the Anode Rod

NOTICE: The Control Assembly will display error code **044** when the anode rod has been depleted.

1 To replace the anode rod if it is depleted: Follow the instruction on page 25, Draining and Flushing The Water Heater.

▲ CAUTION! Residual water pressure may still be present in the water lines and tank.

2 Using a 1/4" nut driver, locate and remove the four (4) screws securing the shroud cover to the top of the heater. Lift the shroud cover up and away from the top of the heater. See Figure 30.

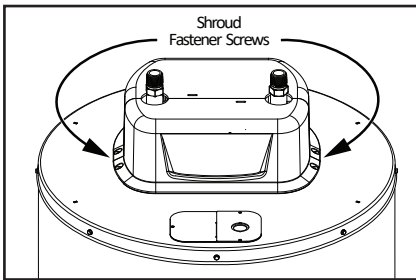


Figure 30 - Shroud fastener screw locations.

3 With the shroud removed, gently remove the spring clips (2) securing the flex hose to the smart valve hot t-nipple. Place components safely to the side. **NOTICE:** DO NOT bend the flex hose. Take note of the orientation in which the flex hose is installed to the smart valve. The flex hose will need to be reinstalled correctly in order to function properly. See Figure 31.

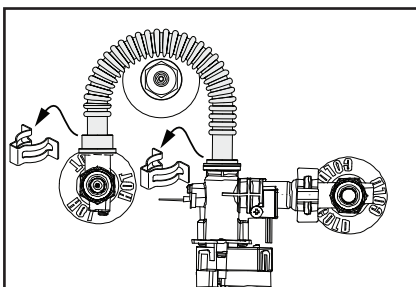


Figure 31 - Flex hose spring clips removal.

4 Once the anode rod is exposed, remove the top nut with a 10 mm hex socket wrench and remove the wire terminal (do not remove lower hex nut from bolt). With the wire terminal removed, use a 1-1/16" deep socket wrench with an extension to remove the anode rod. Inspect the anode rod and replace if depleted. Apply thread sealant tape or pipe joint compound and reinstall the anode rod tightly. Connect the wire terminal and secure with hex nut. See Figure 32.

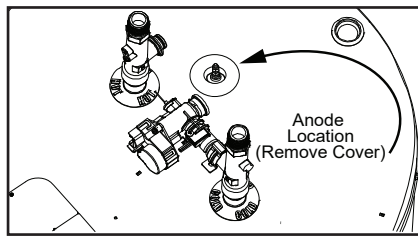


Figure 32 - Anode location.

Anode Rod. The anode rod is a sacrificial metal rod and is the water heater's first line of defense to prevent corrosion and premature failure (leaks) in the tank. The anode rod is a consumable item. Inspect the anode rod after the first six months of operation when you drain and flush the tank. Replace the anode rod if it is substantially worn out or depleted. Thereafter, inspect the anode rod annually or more frequently if needed. If you use a water softener, your anode rod will deplete faster than normal. Inspect the anode rod more frequently, replacing the anode rod as needed. Obtain new anode rods from your local plumbing supplier or have a qualified person replace it (anode rods are a consumable item and are not covered under warranty). See Figure 33.

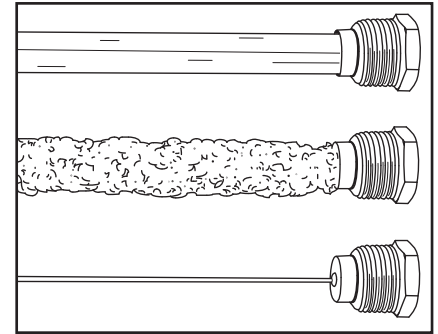


Figure 33 - Anode Rods from new (top) to partially depleted (middle) to fully depleted (bottom).

5 Reinstall the flex hose to the smart valve and hot t-nipple, in the correct orientation. Secure the flex hose with the (2) spring clips. Refer to step 3.

6 Reinstall the shroud by securing it in place with the (4) screws. Refer to step 2.

7 Reconnect cold water supply and hot water supply connections at top of unit.

8 Refill the tank by opening the cold water supply valve. Make sure a hot water faucet is open and the drain valve is closed. Allow the hot water to run full for at least three (3) minutes to make sure the tank has all the air removed and is completely full of water. Failure to perform this step can cause the upper heating element to burn out. Once you are certain the tank is completely full of water, close the hot water faucet.

10 Restore power to the water heater. It may take two hours for the tank to heat up.

MAINTENANCE

Cleaning the Heating Element

At least annually, inspect upper and lower elements for scaling or damage caused by corrosive water conditions and mineral deposits.

Use a soft bristle brush to remove scale from the elements. If necessary, soak the elements in cider vinegar for two hours to remove scale.

Follow the instructions in the next section to disconnect power to the water heater and drain the tank before accessing the elements.

IMPORTANT! Failure to clean scaling from elements can lead to corrosion and premature failure (leaks) in the tank resulting in property damage. Replace the heating elements if necessary.

Replacing the Heating Element

▲ WARNING! Working on an energized circuit can result in severe injury or death from electrical shock. Turn power off. Check wires with a non-contact circuit tester to make sure power is off. When you are finished, be sure all covers are secured to reduce the risk of fire and electric shock.

If you are not comfortable replacing a heating element or thermostat yourself, have this work done by a qualified person. To replace the heating element, you'll need the following tools and supplies:

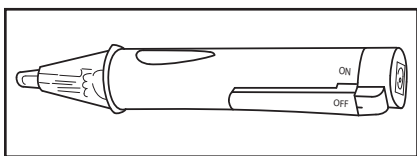


Figure 34 - Non-Contact Circuit Tester

- Always turn power OFF and check the power wires with a non-contact circuit tester before working on the water heater.

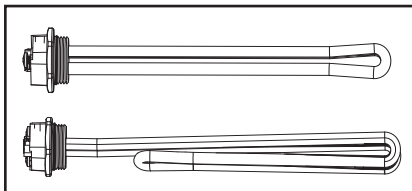


Figure 35 - Heating Element (with gasket)

- Check your water heater's data plate for the correct wattage and voltage. Heating elements are available at your local plumbing supplier.

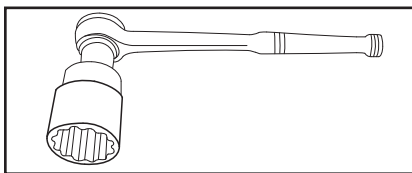


Figure 36 - Element Wrench

- Some regular sockets (1 1/2 inch) may work, but regular sockets are often beveled and may slip. Inexpensive element wrenches are available at your local plumbing supplier.
- Garden hose to drain the tank
- Hand dishwashing soap to lubricate the gasket
- A clean cloth to clean the threaded opening
- A flat blade and a Phillips screwdriver

Steps for Replacing the Heating Element:

NOTICE: A diagnostic code (page.20) should indicate if the upper or lower element has failed.

- 1 Turn the power OFF at the circuit breaker or remove fuses.

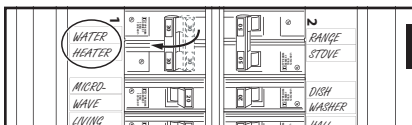


Figure 37 - Circuit Breaker

- 2 Open the electrical junction box on top of the water heater. Using a non-contact circuit tester, check the power wires to make certain the power is OFF.

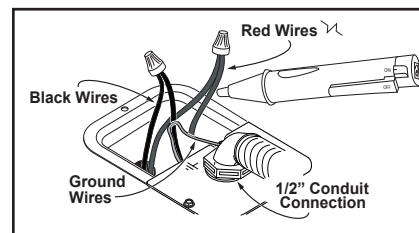


Figure 38 - Non-Contact Circuit Tester

- 3 Open a hot water faucet and let the hot water run until it is cool.

▲ WARNING! Be sure the water runs cool before draining the tank to reduce the risk of scalding.

- 4 Connect a garden hose to the drain valve and place the other end of the hose in a drain or outside (or use buckets). Turn OFF the cold water valve that supplies the water heater. Open the drain valve on the water heater. Opening a hot water faucet will help the tank drain faster.

- 5 Remove the upper control assembly or lower access panel on the water heater, and then fold back the insulation and remove the plastic element/thermostat cover.

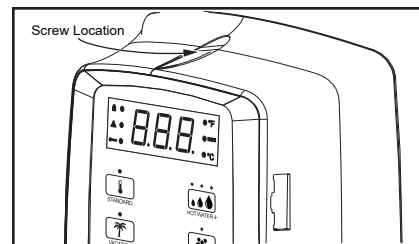


Figure 39 - Control Assembly

- 6 With the tank drained and power off, remove the power wires from the element you intend to replace.



MAINTENANCE

- 7 Remove the bad element using an element wrench.
- 8 Make sure the new element is the correct replacement by referring to the water heater's data plate for voltage and wattage information.
- 9 Clean the threads in the tank opening with a rag. Insert the new element equipped with a rubber gasket. **NOTE:** Use a drop of hand dishwashing liquid to lubricate the gasket to help avoid damaging the gasket as it is being tightened. Tighten with an element wrench. **NOTICE:** Do not turn power back on until the tank is completely full of water. For complete instructions on filling the tank, follow Step 8 in the Installation section.

- 10 Refill the tank by opening the cold water supply valve. Make sure a hot water faucet is open and the drain valve is closed. Allow the hot water to run full for at least three minutes to make sure the tank has all the air removed and is completely full of water. Failure to perform this step can activate the Dry-Fire diagnostic code. Once you are certain the tank is completely full of water, close the hot water faucet.

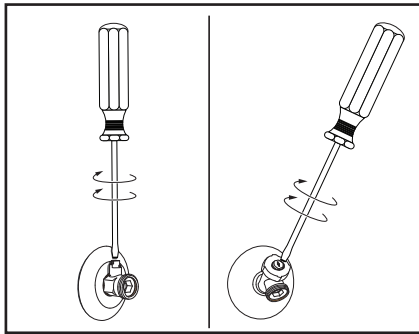


Figure 40 - Closing Drain Valve

- 11 Check the newly installed element for leaks. If a leak is present, tighten the element until the leak stops. If you cannot stop the leak, drain the tank and remove the element. Inspect the gasket for damage. If the gasket is damaged, replace the gasket and re-install the element.

- 12 Once the element is successfully installed and there are no leaks, replace the power wires, thermostat cover, insulation, and control assembly or access panel. Make sure all wire connections are tight. Replace the cover on the electrical junction box.

- 13 Restore power to the water heater. It may take two hours for the tank to heat up.

Replacing the Electronic Thermostat

▲ WARNING! Working on an energized circuit can result in severe injury or death from electrical shock. Turn power off. Check wires with a non-contact circuit tester to make sure power is off. When you are finished, be sure all covers are secured to reduce the risk of fire and electric shock.

To replace the thermostat, you'll need the following tools and supplies:

- A non-contact circuit tester. Always turn power OFF and check with a non-contact circuit tester before working on the water heater.

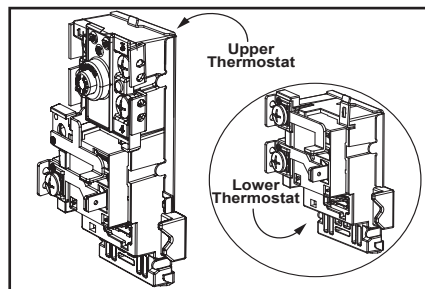


Figure 41 - Upper and Lower Thermostats

- Replacement thermostats are available and may be ordered from the Repair Parts List on page 33 of this manual.
- A business card to check the gap between the thermostat and the tank
- Tape and a permanent marker to mark the wires
- A flat blade and a Phillips screwdriver

Steps for Replacing the Thermostat:

- 1 Turn the power OFF at the circuit breaker or remove fuses. **NOTICE:** It is not necessary to drain the tank to replace a thermostat.
- 2 Open the electrical junction box on top of the water heater. Using a non-contact circuit tester, check the power wires to make certain the power is OFF.

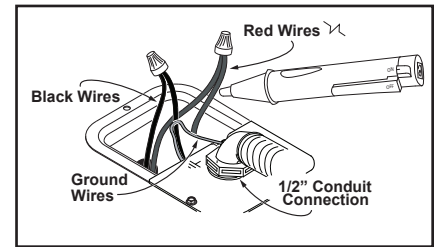


Figure 42 - Non-Contact Circuit Tester

- 3 Remove the upper control assembly or lower access panel on the water heater and carefully fold back the insulation and plastic element/thermostat cover.
- 4 The replacement electronic thermostat should match the original electronic thermostat.
- 5 Mark the wires with tape so you'll know how to put them back on.
- 6 Disconnect the wires from the bad electronic thermostat and remove the electronic thermostat from the metal mounting clip.
- 7 Install the new electronic thermostat in the metal mounting clip.
- 8 Make sure the new thermostat fits snugly against the tank. You should NOT be able to slip a business card between the ECO and tank. If needed, you can bend the thermostat mounting clip until the electronic thermostat fits tightly against the tank.

MAINTENANCE

9 Attach the wires following the wiring diagram on the water heater's label. Make sure all wire connections are tight.

10 Replace the plastic element/thermostat cover, insulation, and upper control assembly or lower access panel.

11 Replace the cover on the electrical junction box.

12 Restore power to the water heater. It may take two hours for the tank to heat up.

T&P Relief Valve Maintenance

Read and follow the operating and annual maintenance instructions provided by the manufacturer of the T&P Relief Valve (yellow label attached to T&P Relief Valve). If no label is attached to the T&P Relief Valve, follow the instructions in this section. Minerals in the water can form deposits that cause the valve to stick or create blocked passages, making the T&P Relief Valve inoperative. Follow these guidelines:

- At least annually, operate the T&P Relief Valve manually to ensure the waterways are clear and the valve mechanism moves freely (above). Before operating the valve manually, check that it will discharge in a place for secure disposal. If water does not flow freely from the end of the discharge pipe, turn OFF the power to the water heater. Call a qualified person to determine the cause.

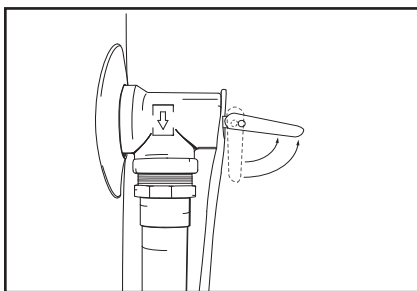


Figure 43 - T&P Relief Valve

▲ WARNING! Hot water will be released. Before operating the T&P relief valve manually, check that it will discharge in a safe place. If water does not flow freely from the end of the discharge pipe, turn the power to the water heater OFF. Call a qualified person to determine the cause.

- At least every five years, have a qualified person inspect the T&P Relief Valve and discharge pipe. Damage caused by corrosive water conditions, mineral deposits, or other problems can only be determined when a qualified person removes and inspects the valve and its components.
- Note that a dripping T&P Relief Valve is usually caused by the home's water pressure being too high or the lack of a Thermal Expansion Tank. If your T&P Relief Valve drips, see page 25.

Control Assembly Battery Maintenance

▲ CAUTION! Battery May Explode If Mistreated. Do Not Recharge, Disassemble Or Dispose Of In Fire.

It is recommended to replace the battery in the control assembly every 5 years for reliability.

Locate the battery tray on the left side of the control assembly. See Figure 41.

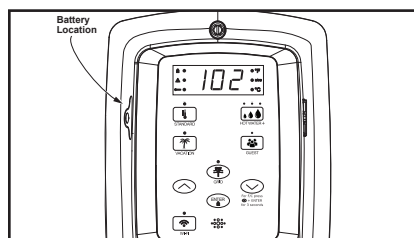


Figure 44 - Battery Tray Location

Replace the BR2032 or CR2032 battery by removing the Phillips heads screw and sliding the battery tray out from the control assembly. Replace battery with Panasonic® BR2032 or Murata CR2032 only. Insert battery into the tray and reinstall into the control assembly. Hand tighten the Phillips

head screw to secure the tray in the control assembly.

▲ CAUTION! Use of Another Battery May Present A Risk of Fire or Explosion.

NOTICE: If the control assembly was not connected via WiFi or powered by a power source, the time will need to be set. Smart Valve Assembly

NOTICE: The Control Assembly will display error code **047** when the Smart Valve experiences a failure. To replace the Smart Valve, follow the instructions below.

MAINTENANCE

Smart Valve Assembly

NOTICE: The Control Assembly will display error code **047** when the Smart Valve experiences a failure. To replace the Smart Valve, follow the instructions below.

Remove Smart Valve Assembly

- 1 Locate the water heater's circuit breaker and turn it **OFF** (or remove the circuit's fuses).

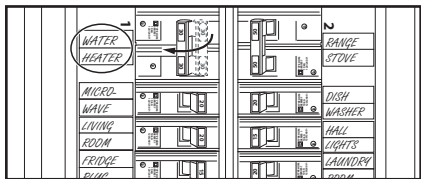


Figure 45 - Circuit Breaker.

- 2 Open the electrical junction box on the side of the water heater. Using a non-contact circuit tester, check the power wires to make certain the power is **OFF**.
- 3 Turn the cold water supply valve **OFF**. Open a hot water faucet to remove pressure from the tank.
- 4 Using a 1/4" nut driver, locate and remove the four (4) screws securing the shroud cover to the top of the heater. Lift the shroud cover up and away from the top of the heater to gain access. See Figure 46.

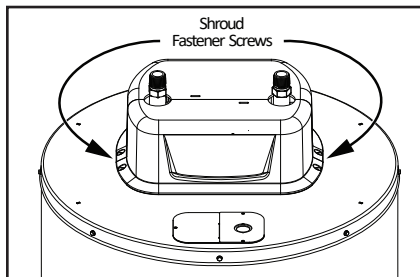


Figure 46 - Shroud fastener screw locations.

- 5 Disconnect the 8 pin wire harness located on top of Smart Valve as shown in Figure 47. Place wires aside in a safe location so they are not damaged.

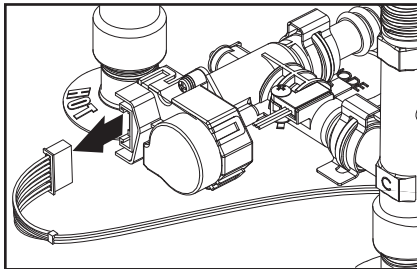


Figure 47 - Disconnect 8 Pin Wire Harness

- 6 Disconnect the 3 pin wire harness. Connector will be located near the cold water supply opposite from Smart Valve as shown in Figure 48. Place wires aside in a safe location so they are not damaged.

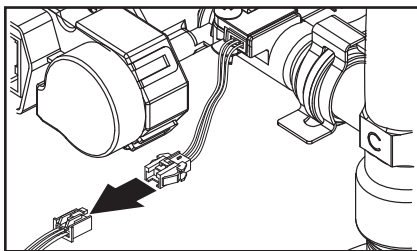


Figure 48 - Disconnect 3 Pin Wire Connector

- 7 Remove the two (2) spring clips securing Smart Valve to cold t-nipple and flex hose to hot t-nipple.

▲ CAUTION! Water may still be present in the valve and flex hose assembly. Place a rag under the flex hose and valve connection points to soak up any water.

- 8 Gently remove Smart Valve and flex hose from hot and cold t-nipples.
- 9 Properly dispose of Smart Valve, flex hose and spring clips.

Replace Smart Valve Assembly

NOTICE: **DO NOT** reuse old spring clips and O-rings. Use new spring clips and O-rings provided in kit.

- 10 Remove new flex hose from

service kit. Carefully bend flex hose to allow for easy connection to Smart Valve and hot t-nipple as shown in Figure 49.

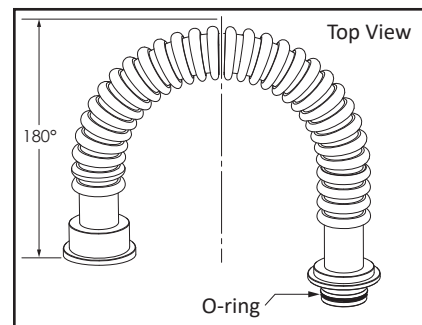


Figure 49 - Bend Flex Hose

- 11 Remove new Smart Valve from service kit. Install male end of flex hose with small O-ring (14.5mm) to Smart Valve outlet as shown in Figure 50.

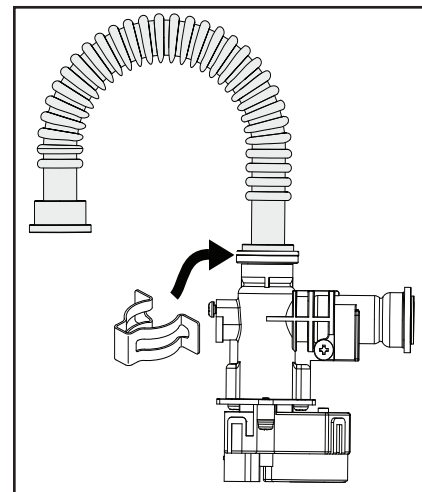


Figure 50 - Install Flex Hose to Smart Valve

NOTICE: Inspect flex hose O-ring for damage or debris. Handle with care and verify lubricant has been applied to O-ring.

MAINTENANCE

12 Remove one (1) spring clip from kit. Install spring clip over Smart Valve outlet and flex hose to secure the assembly as shown in Figure 50.

13 Remove O-rings installed to hot and cold t-nipples and replace with larger o-rings (15.5mm) provided in kit. See Figure 51.

NOTICE: Handle with care and verify lubricant has been applied to o-ring.

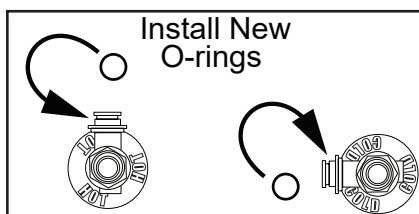


Figure 51 - Install Flex Hose to Smart Valve

14 Carefully install Smart Valve inlet to cold t-nipple. Remove one (1) spring clip from kit. Install spring clip over Smart Valve inlet and cold t-nipple to secure Smart Valve. See Figure 52.

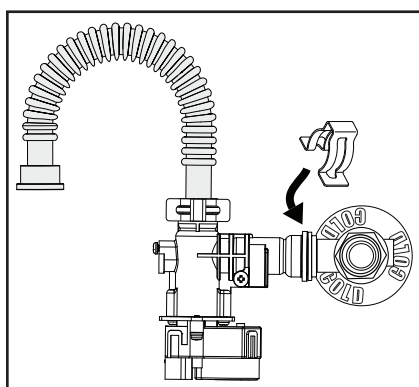


Figure 52 - Install Smart Valve to Cold T-nipple

15 Carefully install female end of flex hose to hot t-nipple. Remove final spring clip from kit. Install spring clip over flex hose and hot t-nipple to secure flex hose.

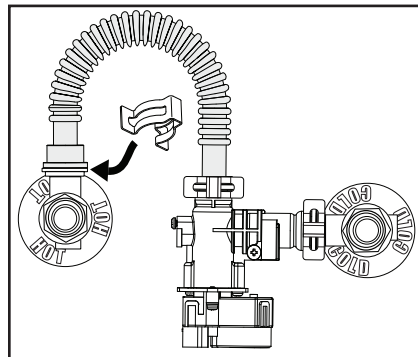


Figure 53 - Install Flex Hose to Hot T-nipple

16 Locate the 3 pin wire harness connector previously set aside in **Step 3** and connect it to the 3 pin wire harness connector on new Smart Valve assembly.

17 Locate the 8 pin wire harness previously set aside in **Step 2** and connect to Smart Valve assembly.

NOTICE: Confirm all wire connections are tight and oriented such that they will not interfere with other components in the heat pump compartment.

18 Reinstall the shroud by securing it in place with the (4) screws. Refer to step 2.

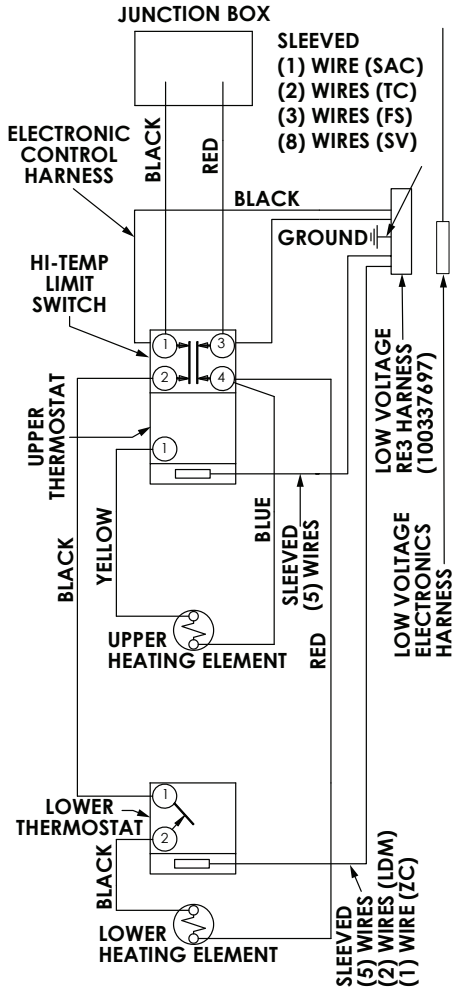
19 Reconnect cold water supply and hot water supply connections at top of unit.

20 Refill the tank by opening the cold water supply valve. Make sure a hot water faucet is open and the drain valve is closed. Allow the hot water to run full for at least three (3) minutes to make sure the tank has all the air removed and is completely full of water. Failure to perform this step can cause the upper heating element to burn out. Once you are certain the tank is completely full of water, close the hot water faucet.

21 Restore power to the water heater. It may take two hours for the tank to heat up.

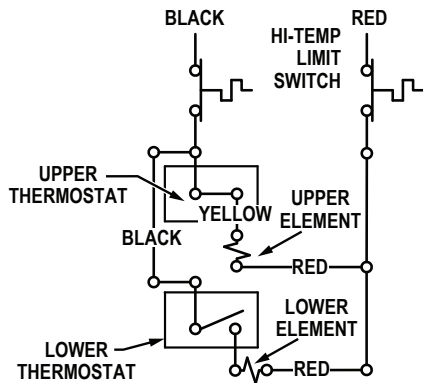
DIAGRAMS

Thermostat Wiring Diagram



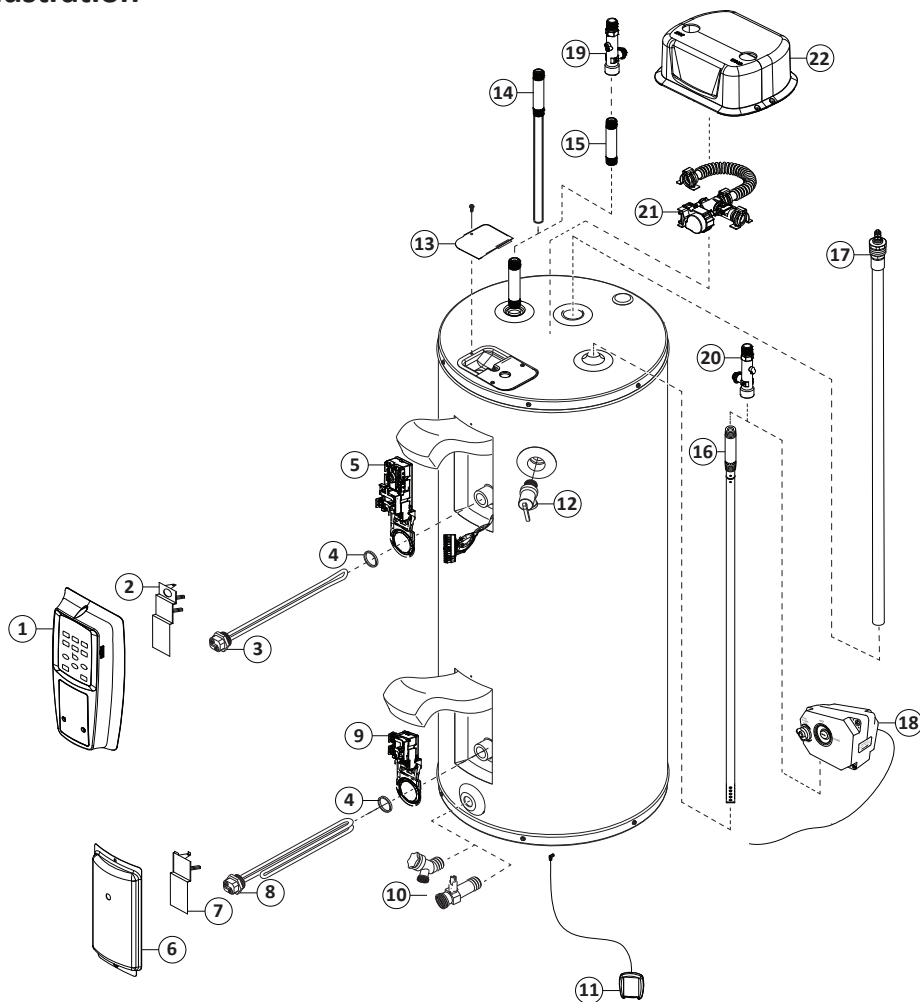
BRANCH CIRCUIT SIZING GUIDE						
Based on N.E.C. NFPA NO. 70 - 1999						
WATT LOAD	Recommend Over Current Protection Rating			Copper Wire Size AWG Based on N.E.C. Table 310-16 (C)		
	120 V	208 V	240 V	120 V	208 V	240 V
1500*	15	15	15	12	14	14
2000	20	15	15	10	14	14
2500	30	15	15	10	14	14
3000	30	20	15	8	12	12
3500	-	20	20	-	10	12
4000	-	25	20	-	10	10
4500	-	30	25	-	10	10
5000	-	30	30	-	10	10
5500	-	-	30	-	-	10

Wattages less than 1500 may be wired 14 gage with a maximum 15 amp protection.



REPAIR PARTS

Repair Part Illustration



Repair Parts

Repair parts may be ordered through your plumber, local distributor, home improvement center, or by calling **1-800-821-2017**. When ordering repair parts, always give the following information:

1. Model, serial and product number
2. Item number
3. Parts description

Repair Parts List

Legend

- ◆ Special anode rod (See “Anode Rod/Water Odor” section)
- Temperature and Pressure Relief Valve is required, but may not be factory installed.
- ▲ Specify element type when ordering

ITEM No.	PARTS DESCRIPTION
1	CONTROL ASSEMBLY
2	UPPER THERMOSTAT COVER
3	UPPER ELEMENT
4	ELEMENT GASKET
5	UPPER THERMOSTAT/ECO ▲
6	ACCESS DOOR
7	LOWER THERMOSTAT COVER
8	LOWER ELEMENT
9	LOWER THERMOSTAT ▲
10	DRAIN VALVE
11	LEAK DETECTOR SENSOR (LDS)
12	TEMPERATURE AND PRESSURE RELIEF VALVE ■
13	JUNCTION BOX COVER
14	HEAT TRAP/OUTLET COMBINATION
15	NIPPLE W/HEAT TRAP
16	DIP TUBE (INCLUDES NIPPLE AND HEAT TRAP)
17	ANODE ROD, 37" FOR ALL MODELS ◆
18	(OPTIONAL) AUTOMATIC COLD WATER SHUT-OFF VALVE
19	OUTLET T-NIPPLE
20	INLET T-NIPPLE
21	SMART VALVE
22	SHROUD

REPAIR PARTS

Apple logo and Apple App Store Logo are trademarks of Apple Inc.
Google Play and the Google Play Logo are trademarks of Google LLC.
Copyright © 2021, A. O. Smith
All Rights Reserved.

