

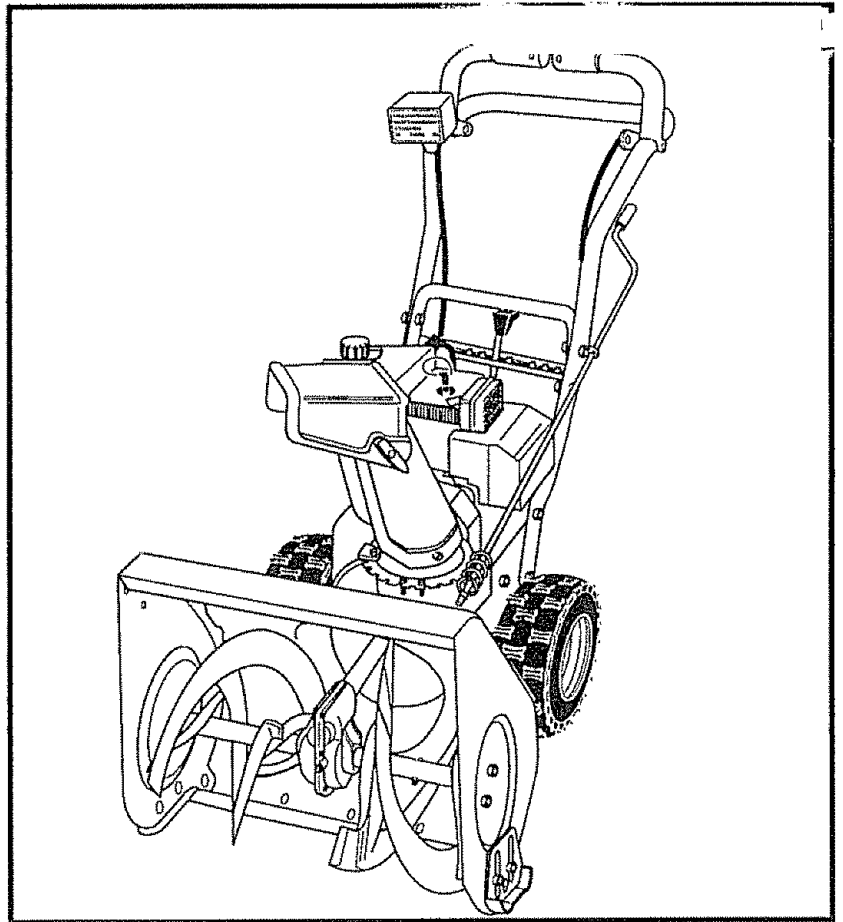
IMPORTANT MANUAL

DO NOT THROW AWAY

**SEARS
OWNER'S
MANUAL**

**MODEL NO.
536.886811**

**Caution:
Read and Follow
All Safety Rules
and Instructions
Before Operating
This Equipment**



CRAFTSMAN®

**8 HORSEPOWER
26" DUAL STAGE
SNOW THROWER
Optional electric start**

- Assembly
- Operation
- Customer Responsibilities
- Service and Adjustments
- Repair Parts

SEARS, ROEBUCK AND CO., Hoffman Estates, IL 60179 U.S.A.

SAFETY RULES



CAUTION: ALWAYS DISCONNECT SPARK PLUG WIRE AND PLACE WIRE WHERE IT CANNOT CONTACT SPARK PLUG TO PREVENT ACCIDENTAL STARTING WHEN SETTING-UP, TRANSPORTING, ADJUSTING OR MAKING REPAIRS.



IMPORTANT

SAFETY STANDARDS REQUIRE OPERATOR PRESENCE CONTROLS TO MINIMIZE THE RISK OF INJURY. YOUR SNOW THROWER IS EQUIPPED WITH SUCH CONTROLS. DO NOT ATTEMPT TO DEFEAT THE FUNCTION OF THE OPERATOR PRESENCE CONTROL UNDER ANY CIRCUMSTANCES.

TRAINING

1. Read the operator's manual carefully. Be thoroughly familiar with the controls and the proper use of the snow thrower. Know how to stop the snow thrower and disengage the controls quickly.
2. Never allow children to operate the snow thrower and keep them away while it is operating. Never allow adults to operate the snow thrower without proper instruction. Do not carry passengers.
3. Keep the area of operation clear of all persons, particularly small children, and pets.
4. Exercise caution to avoid slipping or falling, especially when operating in reverse.

PREPARATION

1. Thoroughly inspect the area where the snow thrower is to be used and remove all doormats, sleds, boards, wires, and other foreign objects.
2. Disengage all clutches and shift into neutral before starting the engine (motor).
3. Do not operate the snow thrower without wearing adequate winter outer garments. Wear footwear that will improve footing on slippery surfaces.
4. Handle fuel with care; it is highly flammable.
 - (a) Use an approved fuel container.
 - (b) Never remove fuel tank cap or add fuel to a running engine or hot engine.
 - (c) Fill fuel tank outdoors with extreme care. Never fill fuel tank indoors.
 - (d) Replace fuel tank cap securely and wipe up spilled fuel.
 - (e) Never store fuel or snow thrower with fuel in the tank inside of a building where fumes may reach an open flame or spark.
 - (f) Check fuel supply before each use, allowing space for expansion as the heat of the engine (motor) and/or sun can cause fuel to expand.
5. Use extension cords and receptacles as specified by the manufacturer for all snow throwers with electric drive motors or electric starting motors.

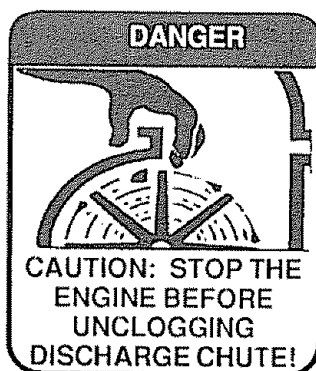
6. Adjust the snow thrower height to clear gravel or crushed rock surfaces.
7. Never attempt to make any adjustments while the engine (motor) is running (except when specifically recommended by the manufacturer).
8. Let engine (motor) and snow thrower adjust to outdoor temperatures before starting to clear snow.
9. Always wear safety glasses or eye shields during operation or while performing an adjustment or repair to protect eyes from foreign objects that may be thrown from the snow thrower.

OPERATION

1. Do not put hands or feet near or under rotating parts. Keep clear of the discharge opening at all times.
2. Exercise extreme caution when operating on or crossing gravel drives, walks, or roads. Stay alert for hidden hazards or traffic.
3. After striking a foreign object, stop the engine (motor), remove the wire from the spark plug, disconnect the cord on electric motors, thoroughly inspect the snow thrower for any damage, and repair the damage before restarting and operating the snow thrower.
4. If the snow thrower should start to vibrate abnormally, stop the (motor) and check immediately for the cause. Vibration is generally a warning of trouble.
5. Stop the engine (motor) whenever you leave the operating position, before unclogging the auger/impeller housing or discharge guide, and when making any repairs, adjustments, or inspections.
6. When cleaning, repairing, or inspecting, make certain the auger/impeller and all moving parts have stopped. Disconnect the spark plug wire and keep the wire away from the plug to prevent accidental starting.
7. Take all possible precautions when leaving the snow thrower unattended. Disengage the auger/impeller, shift to neutral, stop engine, and remove key.

SAFETY RULES

8. Do not run the engine indoors, except when starting the engine and for transporting the snow thrower in or out of the building. Open the outside doors; exhaust fumes are dangerous (containing CARBON MONOXIDE, an ODORLESS and DEADLY GAS).
9. Do not clear snow across the face of slopes. Exercise caution when changing direction on slopes. Do not attempt to clear steep slopes.
10. Never operate the snow thrower without proper guards, plates or other safety protective devices in place.
11. Never operate the snow thrower near glass enclosures, automobiles, window wells, drop-offs, and the like without proper adjustment of the snow discharge angle. Keep children and pets away.
12. Do not overload the machine capacity by attempting to clear snow at too fast a rate.
13. Never operate the snow thrower at high transport speeds on slippery surfaces. Look behind and use care when backing.
14. Never direct discharge at bystanders or allow anyone in front of the snow thrower.
15. Disengage power to the auger/impeller when snow thrower is transported or not in use.
16. Use only attachments and accessories approved by the manufacturer of the snow thrower (such as tire chains, electric start kits, etc.).
17. Never operate the snow thrower without good visibility or light. Always be sure of your footing, and keep a firm hold on the handles. Walk; never run.



MAINTENANCE AND STORAGE

1. Check shear bolts and other bolts at frequent intervals to be sure the snow thrower is in safe working condition.
2. Never store the snow thrower with fuel in the fuel tank inside a building where ignition sources are present such as hot water and space heaters, clothes dryers, and the like. Allow the engine to cool before storing in any enclosure.
3. Always refer to operator's manual instructions for important details if the snow thrower is to be stored for an extended period.
4. Maintain or replace safety and instruction labels, as necessary.
5. Run the snow thrower a few minutes after throwing snow to prevent freeze-up of the auger/impeller.

WARNING

This snow thrower is for use on sidewalks, driveways, and other ground level surfaces. CAUTION should be exercised while using on steep sloping surfaces. DO NOT USE SNOW THROWER ON SURFACES ABOVE GROUND LEVEL such as roofs of residences, garages, porches or other such structures or buildings.



LOOK FOR THIS SYMBOL TO POINT OUT IMPORTANT SAFETY PRECAUTIONS. IT MEANS--ATTENTION!!! BECOME ALERT!!! YOUR SAFETY IS INVOLVED.

CONGRATULATIONS on your purchase of a Sears Craftsman Snow Thrower. It has been designed, engineered and manufactured to give you the best possible dependability and performance.

Should you experience any problem you cannot easily remedy, please contact your nearest Sears Service Center/Department. Sears has competent, well-trained technicians and the proper tools to service or repair this unit.

Please read and retain this manual. The instructions will enable you to assemble and maintain your snow thrower properly. Always observe the "SAFETY RULES."

MODEL NUMBER 536 88681 1
SERIAL NUMBER _____
DATE OF PURCHASE _____
THE MODEL AND SERIAL NUMBERS WILL BE FOUND ON A DECAL ATTACHED TO THE REAR OF THE SNOW THROWER HOUSING
YOU SHOULD RECORD BOTH SERIAL NUMBER AND DATE OF PURCHASE AND KEEP IN A SAFE PLACE FOR FUTURE REFERENCE.

PRODUCT SPECIFICATIONS

HORSE POWER:	8 hp
DISPLACEMENT:	19.43 cu. in.
GASOLINE CAPACITY:	4 quarts Unleaded
OIL (26 oz. Capacity):	5W - 30
SPARK PLUG : (GAP .030 in.)	Champion RJ19LM
VALVE CLEARANCE:	Intake: .010 In. Exhaust: .010 In.

MAINTENANCE AGREEMENT

A Sears Maintenance Agreement is available on this product. Contact your nearest Sears Store for details.

CUSTOMER RESPONSIBILITIES

- Read and observe the safety rules
- Follow a regular schedule in maintaining, caring for and using your snow thrower.
- Follow the instructions under "Customer Responsibilities" and "Storage" sections of this owner's manual

TWO YEAR LIMITED WARRANTY ON CRAFTSMAN SNOW THROWER

For two years from the date of purchase, when this Craftsman Snow Thrower is maintained, lubricated and tuned-up according to the instructions in the owner's manual, Sears will repair, free of charge, any defect in material and workmanship.

If this Craftsman Snow Thrower is used for commercial or rental purposes, this warranty applies for only 90 days from the date of purchase.

This warranty does not cover the following:

- Expendable items which become worn during normal use, such as spark plugs, drive belts and shear pins
- Repairs necessary because of operator abuse or negligence, including bent crankshafts and the failure to maintain the equipment according to the instructions contained in the owner's manual.

WARRANTY SERVICE IS AVAILABLE BY RETURNING THE CRAFTSMAN SNOW THROWER TO THE NEAREST SEARS SERVICE CENTER/DEPARTMENT IN THE UNITED STATES. THIS WARRANTY APPLIES ONLY WHILE THIS PRODUCT IS IN USE IN THE UNITED STATES.

This warranty gives you specific legal rights, and you may also have other rights which may vary from state to state.

SEARS, ROEBUCK AND CO Department D/817WA, Hoffman Estates, IL 60179

TABLE OF CONTENTS

SAFETY RULES	2,3	SERVICE AND ADJUSTMENTS	17-23
PRODUCT SPECIFICATIONS	4	STORAGE	24
CUSTOMER RESPONSIBILITIES	4,15,16	SERVICE RECOMMENDATIONS	25
WARRANTY	4	TROUBLE SHOOTING	26
TABLE OF CONTENTS	5	REPAIR PARTS (SNOW THROWER)	27-36
INDEX	5	REPAIR PARTS (ENGINE)	37-40
ASSEMBLY	6-9	PARTS ORDERING/SERVICE	Back Cover
OPERATION	10-14		

INDEX

<p style="text-align: center;">A</p> <p>Adjustment:</p> <ul style="list-style-type: none"> Auger 22 Belts 18, 19 Belt Guide 20 Cable 18 Carburetor 22 Friction Wheel 20 Spark Plug 23 Traction and Auger 19 <p>Assembly:</p> <ul style="list-style-type: none"> Crank Assembly 8 Headlight 9 Shifter Lever 9 Skid Height Adjustment 7, 17 Unpacking 7 <p style="text-align: center;">B</p> <p>Belts:</p> <ul style="list-style-type: none"> Adjust Belts 18 Belt Guide Adjustment 20 Belt Maintenance 18, 19 Replace Belts 19 <p style="text-align: center;">C</p> <p>Cables, Clutch 7, 9, 18</p> <p>Carburetor: 22, 24</p> <p>Choke 10, 11, 13</p> <p>Clutch, Auger 10, 11, 14</p> <p>Clutch, Traction 10, 11, 14</p> <p>Controls:</p> <ul style="list-style-type: none"> Engine 10, 11, 13 Snow Thrower 7, 10, 11, 14 <p>Crank:</p> <ul style="list-style-type: none"> Adjusting Rod 8, 17 Assembly 8 Operation 10 <p>Customer Responsibilities 4,15,16</p> <ul style="list-style-type: none"> Agreement 4 Auger Gear Box 16 Auger Shaft 15 Engine 16 General Recommendations 15 Hex Shaft and Gears 16 Spark Plug 16 <p style="text-align: center;">D</p> <p>Deflector, Snow Chute 10, 11, 14</p> <p style="text-align: center;">E</p> <p>Engine:</p> <ul style="list-style-type: none"> Control 10, 11, 13, 14 Oil Cap 12, 16 Oil Change 16 Oil Level 12, 16 Oil Type 4, 12, 16 Speed Governor 22 Starting the Engine 13 Storage 24 	<p style="text-align: center;">F</p> <p>Fuel, Type 4, 12</p> <p>Fuel, Storage 13, 24</p> <p>Friction Wheel:</p> <ul style="list-style-type: none"> Adjustment 20 Replacement 21 <p style="text-align: center;">G</p> <p>Gears:</p> <ul style="list-style-type: none"> Auger Gear Box 16 Hex Shaft 16 <p style="text-align: center;">H</p> <p>Handle, Upper and Lower 7</p> <p>Headlight 9</p> <p>Height Adjust Skids 7, 17</p> <p>Hex Shaft 16</p> <p style="text-align: center;">I</p> <p>Ignition, Key 10, 13, 14</p> <p>Index 5</p> <p style="text-align: center;">L</p> <p>Levers:</p> <ul style="list-style-type: none"> Auger Drive Clutch 7, 10, 11, 14 Choke 10, 11, 13 Shifter 9, 10, 11 Throttle Control 10, 11, 13, 14 Traction Drive Clutch 7, 10, 11, 14 <p>Lubrication:</p> <ul style="list-style-type: none"> Auger Gear Box 16 Auger Shaft 15 Chart 25 Disc Drive Plate 15 Engine 16 Hex Shaft and Gears 16 <p style="text-align: center;">O</p> <p>Oil:</p> <ul style="list-style-type: none"> Engine 4, 12, 16 Extreme Cold Weather 12, 16 Storage 24 Type 4, 12, 16 <p>Operation:</p> <ul style="list-style-type: none"> Engine Controls 10, 11, 13 Lockout Pin, Wheel 12 Operating Snow Thrower 10, 11, 14 Snow Throwing Tips 14 Starting the Engine 13 Snow Thrower Controls 10, 11 <p style="text-align: center;">P</p> <p>Parts 28-38</p> <p>Primer Button 10, 11, 13</p> <p style="text-align: center;">R</p> <p>Repair/Replacement Parts 28-38</p> <p>Recoil Starter 13</p> <p>Replacements:</p> <ul style="list-style-type: none"> Auger Shear Bolt 22 Belts 19 	<p style="text-align: center;">S</p> <p>Friction Wheel 21</p> <p>Safety Rules 2, 3</p> <p>Service and Adjustments:</p> <ul style="list-style-type: none"> Auger Housing Height 7, 17 Auger Shear Bolt 22 Belts 18, 19 Belt Guide 20 Belt Replacement 19 Cable 7, 9, 18 Carburetor 22, 24 Chute Crank 17 Friction Wheel 20, 21 Scraper Bar 17 Spark Plug 23 <p>Service Recommendations 25</p> <p>Spark Plug 16, 23</p> <p>Specifications 4</p> <p>Speed Governor 22</p> <p>Starting the Engine 13</p> <p>Stopping the Engine 11, 13</p> <p>Stopping the Snow Thrower 11</p> <p>Shipping Carton 6, 7</p> <p>Skid Height 7, 17</p> <p>Shifter Lever 9-11</p> <p>Shear Bolts 22</p> <p>Storage 24</p> <p style="text-align: center;">T</p> <p>Table of Contents 5</p> <p>Tire Pressure 17</p> <p>Trouble Shooting Chart 26</p> <p>Tools for Assembly 6</p> <p>Traction Drive Belt 19</p> <p style="text-align: center;">W</p> <p>Warranty 4</p> <p>Wheel, Lockout Pin 12</p>
---	--	--

ASSEMBLY

CONTENTS OF SHIPPING CARTON

1 - Snow thrower completely assembled except for the crank assembly, headlight, and the upper handle, which is stored alongside the frame for shipping purposes.

1 - Parts bag containing:

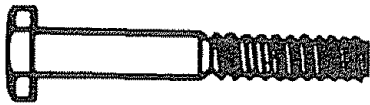
1 - Owner's Manual (Not Shown) and
Parts shown below:

1 - Container of 5W30 Oil

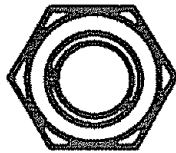
TOOLS REQUIRED FOR ASSEMBLY

- 1 - Knife (to cut carton and plastic ties)
- 2 - 1/2 inch wrenches (or adjustable wrenches)
- 2 - 9/16 inch wrenches (or adjustable wrenches)
- 2 - 3/4 inch wrenches (or adjustable wrenches)
- 1 - Pliers (to spread cotter pin)
- 1 - Screwdriver
- 1 - Air pressure gauge
- 1 - Measuring tape or ruler

CONTENTS OF PARTS BAG



*2 - Spare Shear Bolts
(1/4-20 x 1-3/4 In.)



5/16 In. Hex Nut



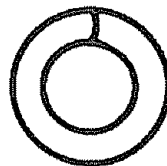
5/16-18 x 1-3/4 In. Hex Head Screw



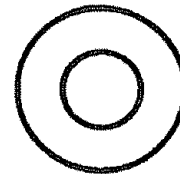
*2 - Spare Spacers



*2 - Spare 1/4 - 20 Locknuts



5/16 In. Lockwasher



5/16 In. Flatwasher



2 - Cable Ties

*Non-Assembly Parts

ASSEMBLY

Fig. 1 shows the snow thrower in the shipping position. Fig. 2 shows the snow thrower completely assembled. Reference to the right and left hand side of the snow thrower is from the operator's position at the handle.

TO REMOVE SNOW THROWER FROM CARTON (See Fig. 1)

- Remove top pallet from carton
- Cut and discard the plastic ties securing the crank assembly to the pallet and place the assembly aside. Discard pallet
- Locate and remove container of 5W30 oil
- Cut all four corners of the carton from top to bottom and lay the panels flat
- Cut the bands holding the snow thrower to the lower pallet
- Cut ties securing the clutch control cables to the lower handle and lay cables back away from the motor frame.
- For packing purposes, the upper handle was removed and stored next to the frame. To install upper handle and crank assembly, see To Install Upper Handle and Crank Assembly on page 8
- Install the control cables to control levers as shown in Fig. 3 and Fig. 3A.

NOTE: If control cables have become unattached from motor mount frame, reconnect cables (See Fig. 3A below).

- Roll the snow thrower off the skid by pulling on the handle. **CAUTION:** DO NOT back over cables
- Properly dispose of discarded packing

TO SET UP YOUR SNOW THROWER

- Your snow thrower is equipped with height adjust skids (Fig. 2) on the outside of the auger housing. To adjust the skid height for different conditions, see the To Adjust Skid Height paragraph on page 17.

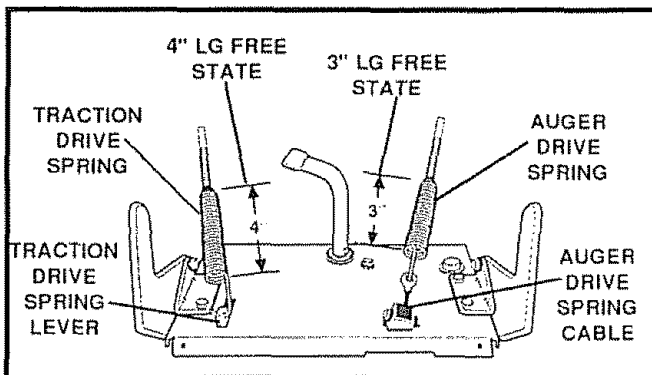


FIG. 3A

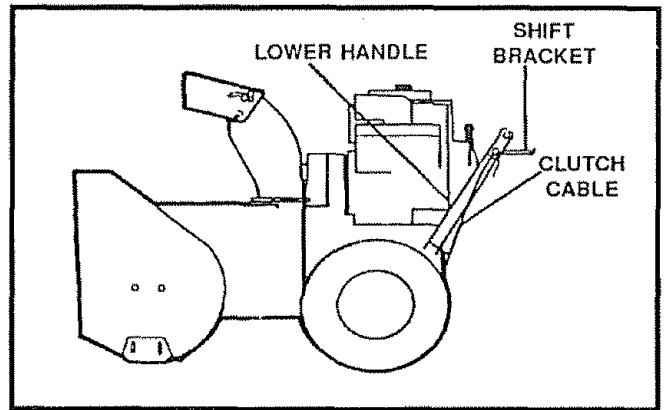


FIG. 1

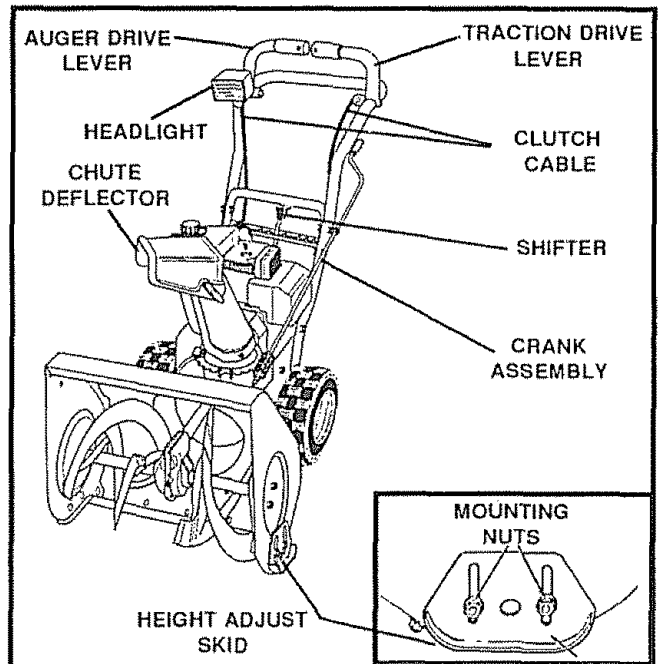


FIG. 2

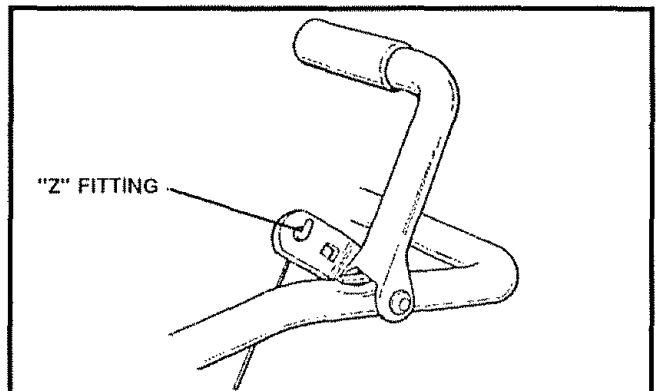


FIG. 3

CAUTION: IF YOU ARE REMOVING SNOW FROM ANY ROCKY OR UNEVEN SURFACES, RAISE THE FRONT OF THE SNOW THROWER BY MOVING THE SKIDS DOWN. THIS WILL HELP TO PREVENT ROCKS AND OTHER DEBRIS FROM BEING PICKED UP AND THROWN BY THE AUGER.

ASSEMBLY

TO INSTALL THE UPPER HANDLE AND CRANK ASSEMBLY

- Lift the upper handle of the snow thrower and set behind the unit
- Make sure control cables are not caught between the handles
- Remove the screws, flatwashers, lockwashers, and hex nuts securing the shifter plate in the lower holes of the lower handle and move shift lever to 3rd gear
- Install upper handle to the lower handle. Be sure to position the upper handle so that the headlight is on the right hand side. Upper handle should be to the outside of the lower handle and shifter plate to the inside.

NOTE: Unless you have the assistance of another person, it may be easier to install one side of the handle at a time.

- Using the hardware (screws, flatwashers, lockwashers and hex nuts) removed from the shifter plate earlier, attach upper and lower handles in upper two holes (See Fig 4A). **Do not tighten.**
- Using the hardware (screw, flatwasher, lockwasher and locknut) supplied in the parts bag, attach the shifter plate and upper and lower handle in the lower right hand hole.
- Remove the 3/8" nylon locknut and flatwasher from the eye bolt assembly. Check to make sure the two 3/8" jam nuts are tight. The jam nuts should be 2.75 inches from the end of the eye bolt (Fig 4B).
- Remove the plastic bag, plastic cap, cotter pin and washer from the crank assembly and set aside (See Fig 5).
- Rotate the notched section of the discharge chute toward the crank-adjusting rod (See Fig 5).
- Install the wormed end of the crank through the hole in the crank adjusting rod and secure the end with the flat washer and cotter pin, as shown in Fig 5.
- Bend the ends of the cotter pin around the rod and reinstall the plastic cap (See Fig 5).
- Install the chute crank eye bolt through the lower handle hole on the left hand side. Make sure that the left side of the shifter plate is installed over the threaded end of the eye bolt. Install the flatwasher, lockwasher and locknut (See Fig 4B).
- Tighten the eye bolt installed earlier; keep eye in line with the rod while tightening the inside nut securely.
- Tighten all hardware securely.
- Rotate the chute crank fully clockwise and fully counter-clockwise. The discharge chute should rotate fully to the outer diameter of the worm and should clear approximately 1/8" (See Fig 5).

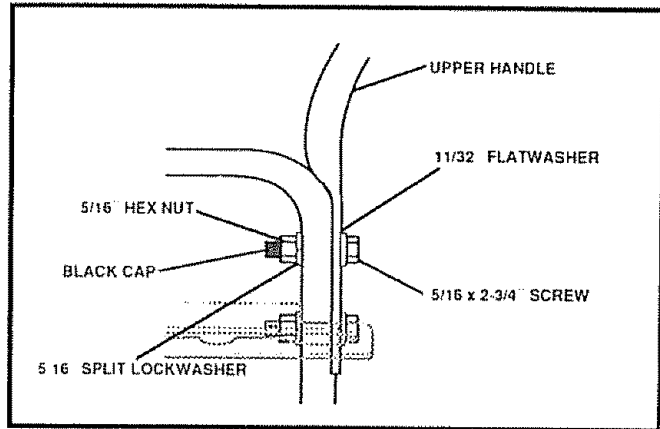


FIG. 4A

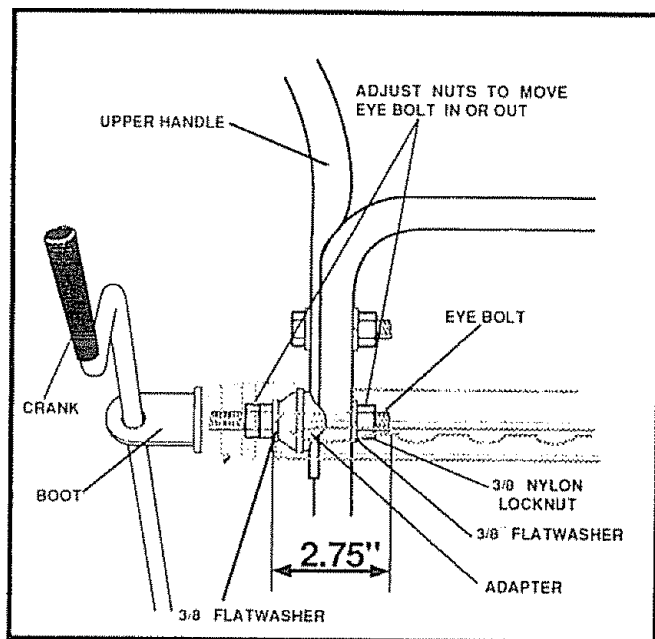


FIG. 4B

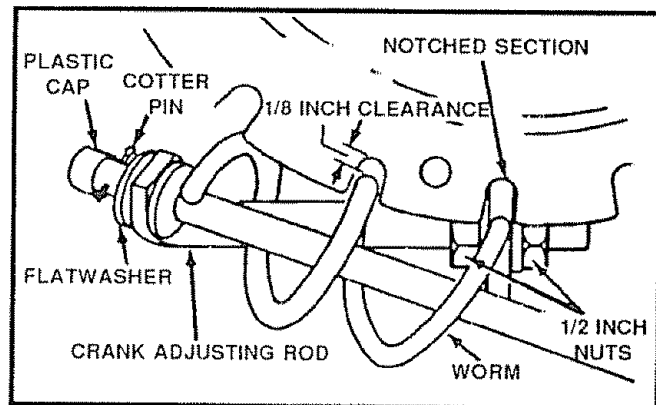


FIG. 5

- If the chute crank needs to be adjusted, go to the Service and Adjustments section on page 17. Screws securing chute clips at the base of the chute should be slightly loose for easy rotation.

NOTE: Be sure the crank does not touch the side of the engine or the cover will be scratched.

ASSEMBLY

TO INSTALL HEADLIGHT

The headlight is mounted on the right side of the upper handle and is installed upside down for packaging purposes.

- Remove the pivot bolt nut, lockwasher and saddle washer (Fig 6A), place saddle washer and headlight in correct position (as shown in Fig 6B and in Fig 2 on page 7), then place lockwasher and re-tighten pivot bolt nut (See Headlight Repair Parts, page 34).
- Tie the headlight cable to upper and lower handles with the plastic cable ties supplied in the parts bag by threading the pointed ends of each tie through the square end and pulling tightly around the headlight cable and the handle.

NOTE: One side of the plastic tie has small notches in it, while the other side is smooth. The notched side must be on the inside of the loop which is formed when the ends are put together

- Try to loosen the cable tie. If it can be loosened, it has been attached with the smooth side on the inside of the loop. Remove the cable tie and reverse its direction.
- Cut off excess plastic tie

TO CHECK/ADJUST CLUTCH CONTROL CABLES

The control cables attached to the auger clutch lever and traction clutch lever (See Fig. 7) may need to be adjusted before you use your snow thrower.

For instructions on checking or adjusting the control cables, see To Adjust Clutch Control Cables paragraph on page 18.

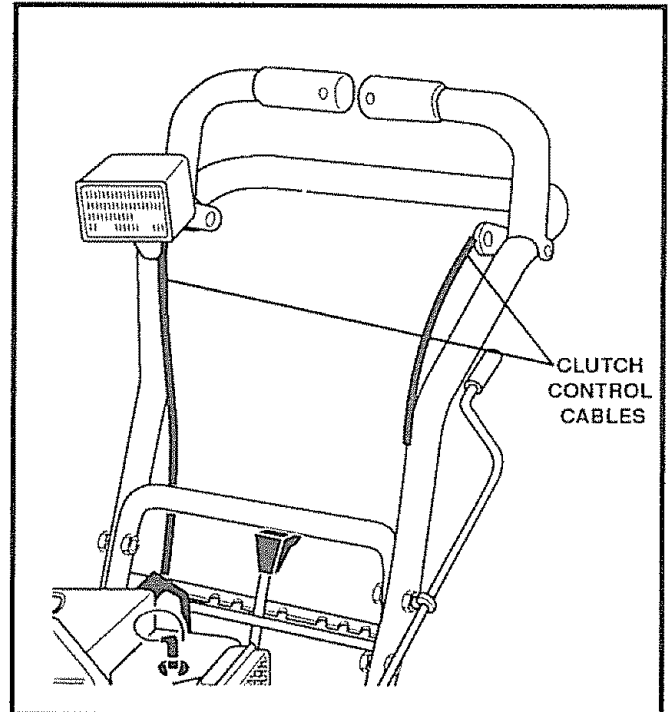
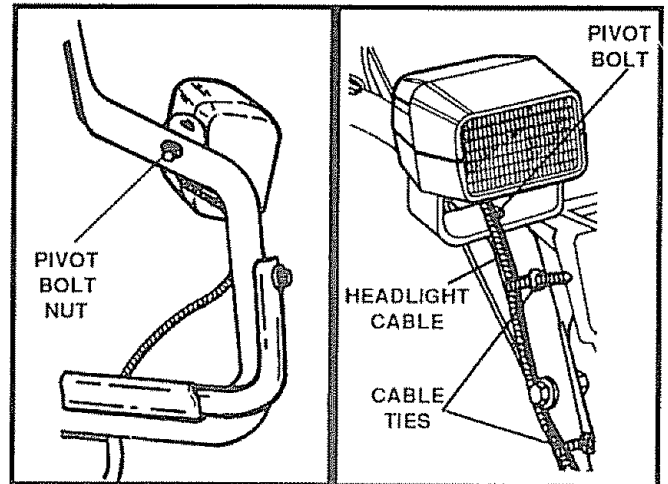
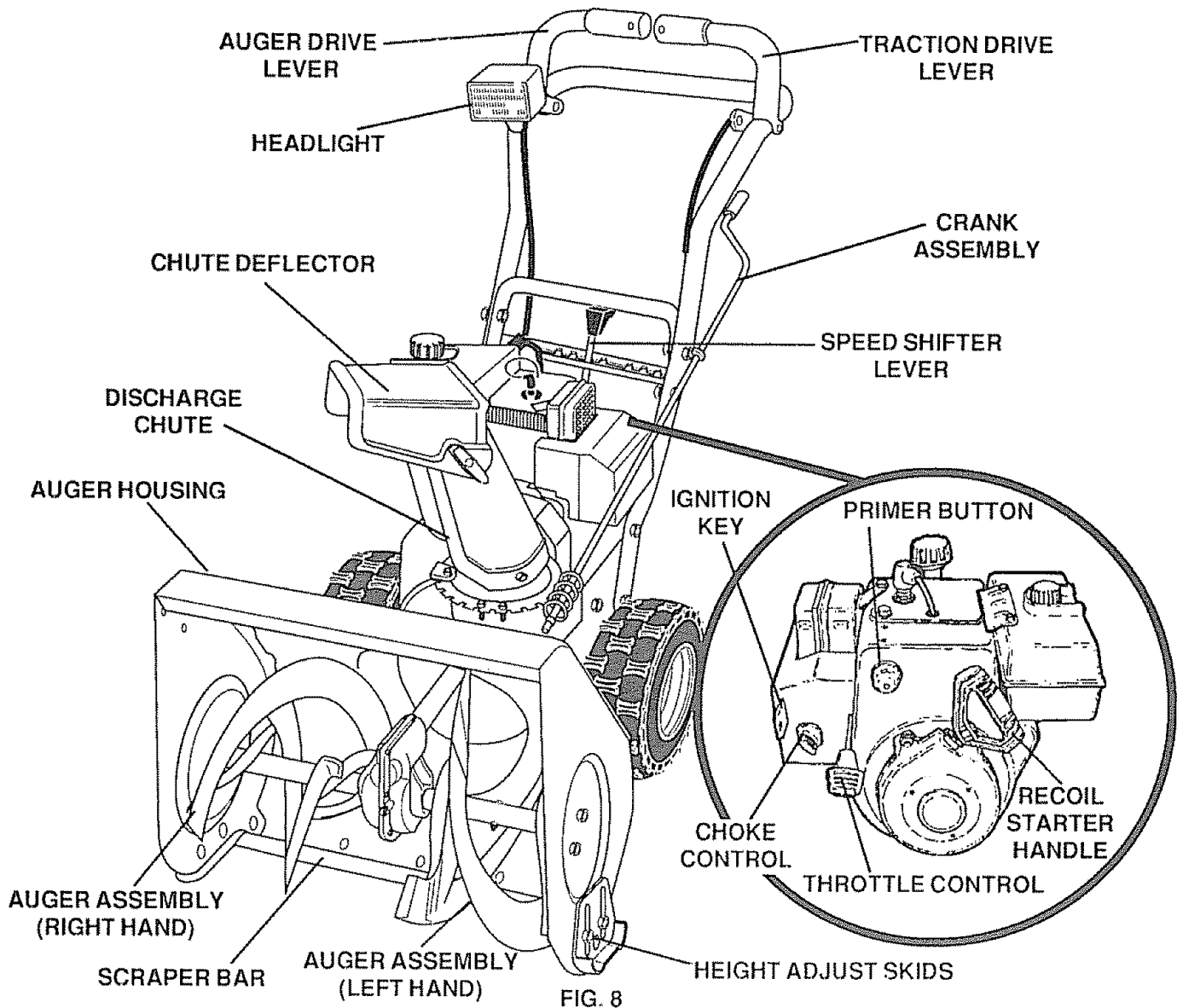


FIG. 7

OPERATION

KNOW YOUR SNOW THROWER

READ THIS OWNER'S MANUAL AND SAFETY RULES BEFORE OPERATING YOUR SNOW THROWER. Compare the illustrations with your snow thrower to familiarize yourself with the location of various controls and adjustments. Save this manual for future reference



SEARS SNOW THROWERS conform to the safety standards of the American National Standards Institute

AUGER DRIVE LEVER - Starts and stops the auger and impeller (snow gathering and throwing).

TRACTION DRIVE LEVER - Propels the snow thrower forward and in reverse.

HEADLIGHT - Turns on whenever engine is running.

SPEED SHIFTER LEVER - Selects the speed of the snow thrower (6 speeds forward and 2 speeds reverse).

CRANK ASSEMBLY - Changes the direction of snow throwing through the discharge chute.

CHUTE DEFLECTOR - Changes the height and distance the snow is thrown.

DISCHARGE CHUTE - Changes the direction the snow is thrown.

HEIGHT ADJUST SKIDS - Adjusts the ground clearance of the auger housing.

IGNITION KEY - Must be inserted to start the engine.

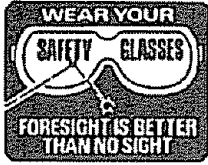
RECOIL STARTER HANDLE - Starts the engine manually.

CHOKE CONTROL - Used to start a cold engine.

PRIMER BUTTON - Injects fuel directly into the carburetor manifold for fast starts in cold weather.

THROTTLE CONTROL - Controls the engine speed.

OPERATION



The operation of any snow thrower can result in foreign objects being thrown into the eyes, which can result in severe eye damage. Always wear safety glasses or eye shields while operating the snow thrower.

We recommend standard safety glasses, available at SEARS Retail or Catalog Stores, or a wide vision safety mask for over your glasses.

HOW TO USE YOUR SNOW THROWER

TO CONTROL SNOW DISCHARGE

- Turn the crank assembly to set the **direction** of the snow throwing.
- Loosen the wing knob on the chute deflector and move the deflector to set the **distance**. Move the deflector **UP** for more distance, **DOWN** for less distance. Then tighten the wing knob (See Fig 9)

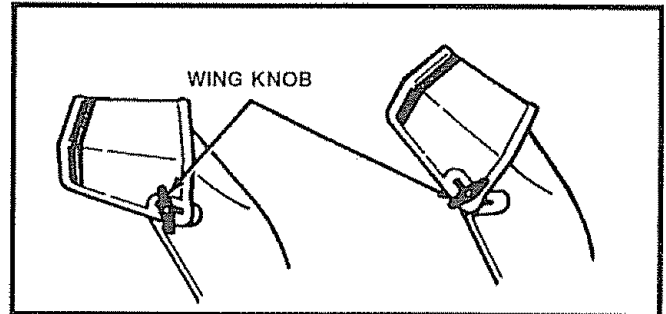


FIG. 9

TO STOP YOUR SNOW THROWER

- To stop throwing snow, release the auger drive lever (See Fig. 11).
- To stop the wheels, release the traction drive lever.
- To stop the engine, push the throttle control lever to off and pull out (**DO NOT TURN**) the ignition key (See Fig 10)

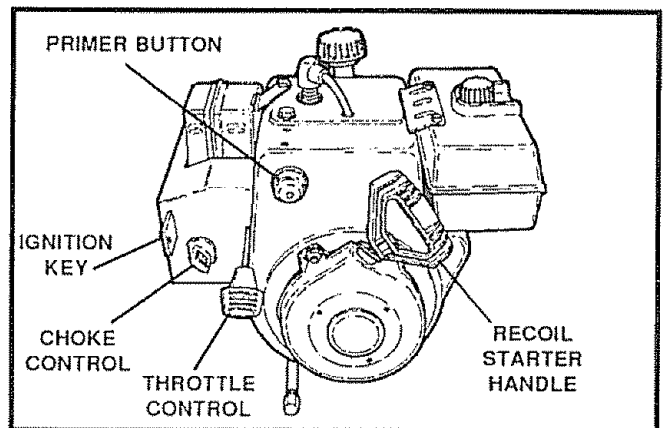


FIG. 10

TO MOVE FORWARD AND BACKWARD

- To shift, release the traction drive lever and move the speed shifter lever to the speed you desire. Ground speed is determined by snow conditions. Select the speed you desire by moving the speed shifter lever into the appropriate area on the control panel

Speeds 1, 2 - Wet, Heavy, Extra Deep

Speed 3 - Light

Speed 4 - Very Light

Speeds 5, 6 - Transport only

- Engage the traction drive lever (See Fig 11, left hand). As the snow thrower starts to move, maintain a firm hold on the handles, and guide the snow thrower along the clearing path. Do not attempt to push the snow thrower.
- To move the snow thrower backward, move the speed shifter lever into first or second reverse and engage the traction drive lever (left hand).

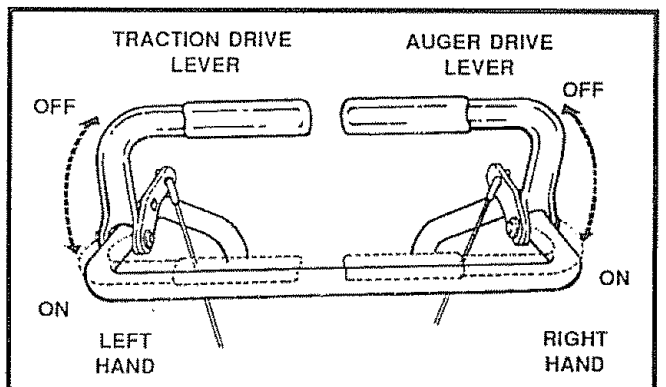


FIG. 11

IMPORTANT: NEVER MOVE THE SPEED SHIFTER LEVER WHILE THE TRACTION LEVER IS DOWN

TO THROW SNOW

- Push down the auger drive lever (See Fig 11, right hand).
- Release to stop throwing snow



CAUTION: READ OWNER'S MANUAL BEFORE OPERATING MACHINE. NEVER DIRECT DISCHARGE TOWARD BYSTANDERS. STOP THE ENGINE BEFORE UNCLOGGING DISCHARGE CHUTE OR AUGER HOUSING AND BEFORE LEAVING THE MACHINE.

OPERATION

TO USE WHEEL LOCKOUT PIN

- The left hand wheel is secured to the axle with a klick pin (See Fig. 12A) This unit was shipped with this klick pin in the locked (through wheel hole) position.
- For ease of maneuverability, in light snow conditions, disconnect the klick pin from the wheel locked position and push into the single wheel drive (unlocked axle hole only) position (See Fig. 12B).
- Make sure that the klick pin is in the single wheel drive position of the axle only and not through the locked position.

BEFORE STARTING THE ENGINE

- If the snow thrower must be moved without the aid of the engine, it is easier to pull the snow thrower by the handles rather than pushing
- Before you service or start the engine, familiarize yourself with the snow thrower. Be sure you understand the function and location of all controls.

NOTE: Check tension of clutch cables before starting the engine. (See To Adjust The Control Cables paragraph on page 18)

- Be sure that all fasteners are tight.
- Make sure the height adjust skids are properly adjusted (See To Adjust Skid Height paragraph on page 17.)
- Check tire pressure (14 to 17 pounds) See side of tire for maximum inflation. Do not exceed listed maximum pressure.

FILL OIL

This snow thrower was shipped with a container of 5W30 motor oil. This oil must be added to the engine before operating. Remove the oil fill cap/dipstick and fill the crank case to FULL line on dipstick (26 ounces) (See Fig. 14)

NOTE: Engine may already contain some residual oil. Check frequently when filling the crankcase. Do not over fill.

Tighten the fill cap/dipstick securely each time you check the oil level

NOTE: Oil must be changed after the first 2 hours of operation to extend engine life

For extreme cold operating conditions of 0°F and below, use a partial synthetic 0W30 motor oil for easier starting

FILL GAS

WARNING: Experience indicates that alcohol blended fuels (called gasohol or those using ethanol or methanol) can attract moisture which leads to separation and formation of acids during storage. Acidic gas can damage the fuel system of an engine while in storage

To avoid engine problems, the fuel system should be emptied before storage for 30 days or longer. Start the

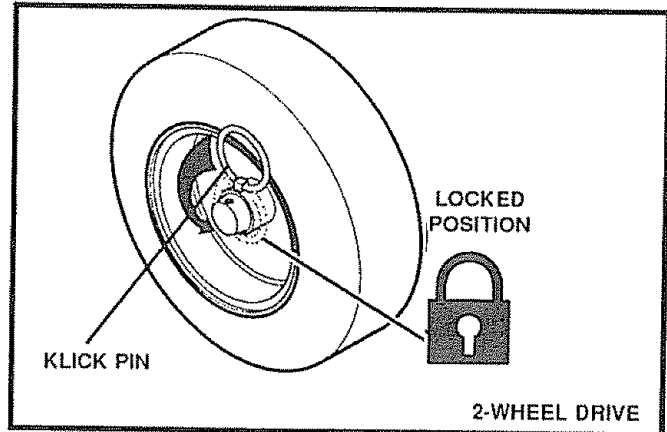


FIG. 12A

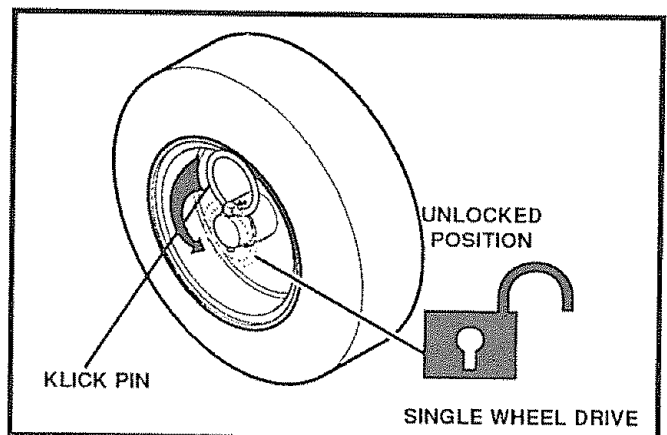


FIG. 12B

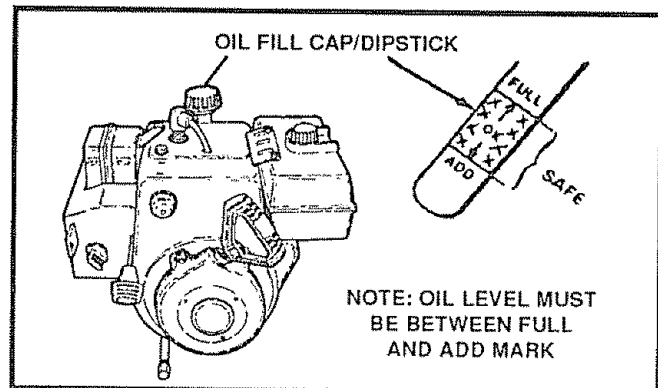


FIG. 13

engine and let it run until the fuel lines and carburetor are empty. Use the carburetor bowl drain to empty residual gasoline from the float chamber. Use fresh fuel next season (See storage instructions on page 24 for additional information)

Never use engine or carburetor cleaner products in the fuel tank or permanent damage may occur

Fill the fuel tank with clean, fresh, unleaded grade automotive gasoline. Be sure that the container you pour the gasoline from is clean and free from rust or other foreign particles. Never use gasoline that may be stale from long periods of storage in the container

OPERATION

TO STOP ENGINE

- To stop engine, move the throttle control lever to STOP position and remove key. Keep the key in a safe place. The engine will not start without the key.

NOTE: DO NOT turn key.

CARBURETOR

The factory settings for the carburetor are for most conditions. If the engine is operated under the following conditions, you can adjust carburetor mixture. See "How To Adjust The Carburetor" (See Service and Adjustments, page 22).

- The engine has a loss of power or does not run smooth.
- The engine's operated above 4,000 feet

TO START ENGINE

Be sure that the engine has sufficient oil. The snow thrower engine is equipped with a recoil starter. Before starting the engine, be certain that you have read the following information:

COLD START (See Fig. 14)

- Be sure the auger drive and traction drive levers are in the disengaged RELEASED position
- Move the throttle control to RUN position
- Remove the keys from the plastic bag. Insert one key into the ignition slot. Be sure it snaps into place. **DO NOT TURN KEY** Keep the second key in a safe place
- Rotate the choke control to FULL choke position
- Push the primer button while covering the vent hole as follows: (Remove finger from primer button between primes).

Do not prime if temperature is above 50°F.

Two times if temperature is 50°F to 15°F

Four times if temperature is below 15°F.

- Pull the recoil starter handle rapidly. Do not allow the handle to snap back, but allow it to rewind slowly while keeping a firm hold on the starter handle.
- As the engine warms up and begins to operate evenly, rotate the choke control slowly to the OFF position. If the engine falters, return to FULL choke, then slowly move to the OFF position.

NOTE: Allow the engine to warm up for a few minutes because the engine will not develop full power until it reaches operating temperature.

- Run the engine at full throttle (RUN) when throwing snow.

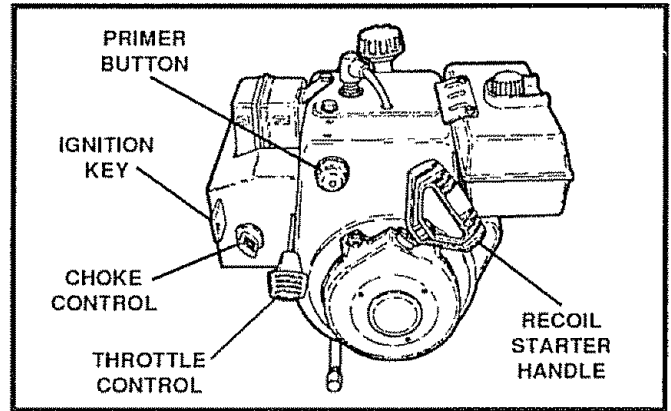


FIG.14



CAUTION: GASOLINE IS FLAMMABLE AND CAUTION MUST BE USED WHEN HANDLING OR STORING IT.

DO NOT FILL FUEL TANK WHILE SNOW THROWER IS RUNNING, WHEN IT IS HOT, OR WHEN SNOW THROWER IS IN AN ENCLOSED AREA.

KEEP AWAY FROM OPEN FLAME OR AN ELECTRICAL SPARK, AND DO NOT SMOKE WHILE FILLING THE FUEL TANK.

NEVER FILL THE TANK COMPLETELY. FILL THE TANK TO WITHIN 1/4" - 1/2" FROM THE TOP TO PROVIDE SPACE FOR EXPANSION OF FUEL.

ALWAYS FILL FUEL TANK OUTDOORS AND USE A FUNNEL OR SPOUT TO PREVENT SPILLING.

MAKE SURE TO WIPE UP ANY SPILLED FUEL BEFORE STARTING THE ENGINE.

STORE GASOLINE IN A CLEAN, APPROVED CONTAINER AND KEEP THE CAP IN PLACE ON THE CONTAINER.

WARM START

If restarting a warm engine after a short shutdown, leave choke at OFF and do not push the primer button. If the engine fails to start, follow the Cold Start instructions above.

FROZEN RECOIL STARTER

If the starter is frozen and will not turn engine:

- Pull as much rope out of the starter as possible.
- Release the starter handle and let it snap back against the starter.

OPERATION

If the engine still fails to start, repeat the two previous steps until the engine starts. Then continue with the directions for cold start.

To help prevent possible freeze-up of recoil starter and engine controls, proceed as follows after each snow removal job:

- **With the engine running**, pull the starter rope hard with a continuous full arm stroke three or four times. Pulling of starter rope will produce a loud clattering sound. This is not harmful to the engine or starter.
- **With the engine not running**, wipe all snow and moisture from the carburetor cover in area of control levers. Also move throttle control, choke control, and starter handle several times.



CAUTION: NEVER RUN ENGINE IN-DOORS OR IN ENCLOSED, POORLY VENTILATED AREAS. ENGINE EXHAUST CONTAINS CARBON MONOXIDE, AN ODORLESS AND DEADLY

GAS. KEEP HANDS, FEET, HAIR AND LOOSE CLOTHING AWAY FROM ANY MOVING PARTS ON ENGINE AND SNOW THROWER.

WARNING: TEMPERATURE OF MUFFLER AND NEARBY AREAS MAY EXCEED 150° F. AVOID THESE AREAS.

DO NOT ALLOW CHILDREN OR YOUNG TEENAGERS TO OPERATE OR BE NEAR SNOW THROWER WHILE IT IS OPERATING.



CAUTION: DO NOT ATTEMPT TO REMOVE ANY ITEM THAT MAY BECOME LODGED IN AUGER WITHOUT TAKING THE FOLLOWING PRECAUTIONS:

- **RELEASE AUGER DRIVE AND TRACTION DRIVE LEVERS.**
- **MOVE THROTTLE LEVER TO STOP POSITION.**
- **REMOVE (DO NOT TURN) IGNITION KEY.**
- **DISCONNECT SPARK PLUG WIRE.**
- **DO NOT PLACE YOUR HANDS IN THE AUGER OR DISCHARGE CHUTE. USE A PRY BAR.**

SNOW THROWING TIPS

- For maximum snow thrower efficiency in removing snow, adjust ground speed, **NEVER** the throttle. Go slower in deep, freezing, or wet snow. If the wheels slip, reduce forward speed. The engine is designed to deliver maximum performance at full throttle and should be run at this power setting at all times. Most efficient snow blowing is accomplished when the snow is removed immediately after it falls.
- For complete snow removal, slightly overlap each path previously taken. Use more overlap in deep snow to prevent overloading.
- The snow should be discharged down wind whenever possible. In windy conditions, lower the chute deflector to direct discharged snow close to the ground, where it is less likely to blow into unwanted areas.
- For normal usage, set the skids so that the scraper bar is 1/8" above the skids. For extremely hard-packed snow surfaces, adjust the skids upward so that the scraper bar touches the ground.
- On gravel or crushed rock surfaces, set the skids at 1-1/4" below the scraper bar (see To Adjust Skids Height paragraph on page 17). Stones and gravel must not be picked up and thrown by the machine.
- On gravel or crushed rock surfaces, set the skids at 1-1/4" below the scraper bar (see To Adjust Skids Height paragraph on page 17). Stones and gravel must not be picked up and thrown by the machine.
- After the snow throwing job has been completed, allow the engine to idle for a few minutes, which will melt snow and accumulated ice off the engine.
- Clean the snow thrower thoroughly after each use.
- Remove ice and snow accumulation and all debris from the entire snow thrower, and flush with water (if possible) to remove all salt or other chemicals. Wipe snow thrower dry.

CUSTOMER RESPONSIBILITIES

GENERAL RECOMMENDATIONS

The warranty on this snow thrower does not cover items that have been subjected to operator abuse or negligence. To receive full value from the warranty, operator must maintain snow thrower as instructed in this manual.

Some adjustments will need to be made periodically to properly maintain your snow thrower.

All adjustments in the Service and Adjustments section of this manual should be checked at least once each season.

AFTER EACH USE

- Check for any loose or damaged parts
- Tighten any loose fasteners
- Check and maintain the auger
- After each use, remove all snow and slush off the snow thrower to prevent freezing of auger or controls
- Check controls to make sure they are functioning properly
- If any parts are worn or damaged, replace immediately.

SNOW THROWER

LUBRICATION - EVERY FIVE HOURS

- Lubricate the flange on the discharge chute every five (5) hours during use and before storage
- See Lubrication Chart diagram on page 25 for lubrication points and type of lubricant

LUBRICATION - EVERY TEN HOURS

- Auger Shaft - Using a hand grease gun, lubricate the auger shaft zerk fittings (See A, Fig. 16) every ten (10) operating hours. Each time a shear bolt is replaced (see To Replace Auger Shear Bolt on page 22), the auger shaft MUST be greased
- For storage or when replacing shear bolts, remove shear bolts and lubricate auger shaft zerks. Rotate augers several times on the shaft and reinstall the shear bolts
- The chute control rod, used to change the direction of the snow discharge, needs to be lubricated frequently and before storage
- See Lubrication Chart diagram on page 25 for lubrication points and type of lubricant

LUBRICATION - EVERY 25 HOURS

- Position speed selector lever in first gear
- Place a coin or (a shim of equal thickness) between the rubber friction wheel and disc drive plate to prevent friction wheel contacting the friction disc

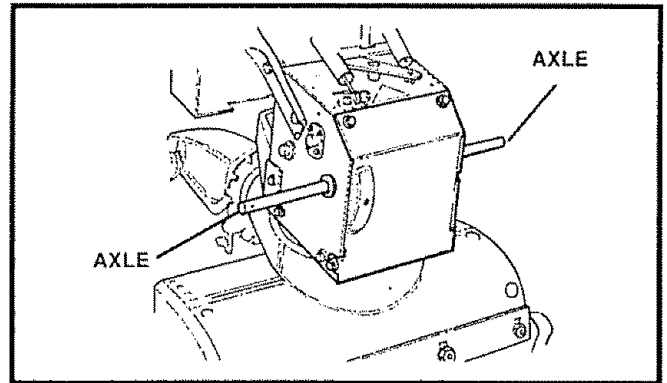


FIG. 15

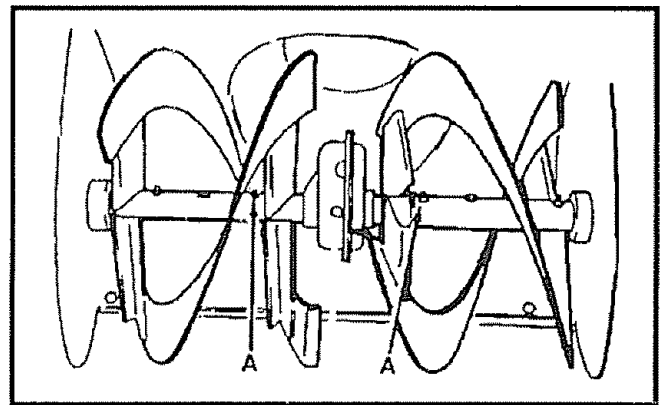


FIG. 16

- Disc Drive Plate - Using a hand grease gun, lubricate with a Hi Temp EP Moley grease, zerk located beneath the disc drive plate (see Fig. 17 inset) every 25 hours and at the end of the season and/or before storage. To grease zerk, turn disc drive plate clockwise by hand until zerk is clearly visible at front center. DO NOT over fill or allow grease to come in contact with the disc drive plate or friction wheel or damage will result. Fill zerk only until grease becomes visible below bearing assembly located under grease zerk. See Lubrication Chart on page 25
- **IMPORTANT:** Remove coin and ensure that a gap exists between friction wheel and disc drive plate.
- **NOTE:** Clean all excess grease found on friction disc hub
- **CAUTION:** Do not allow grease to contact friction wheel and disc drive plate

LUBRICATION - BEFORE STORAGE

- Remove both wheels, grease (any automotive type grease) both axles (See Fig. 15) and replace wheels. Do this at least once a year and/or prior to storage

CUSTOMER RESPONSIBILITIES

LUBRICATION

- Hex Shaft and Gears - Hex shaft and gears require no lubrication. All bearings and bushings are lifetime lubricated and require no maintenance (See Fig 17)

NOTE: Any greasing or oiling of the above components can cause contamination of the friction wheel. If the disc drive plate or friction wheel comes in contact with grease or oil, damage to the friction wheel will result.

Should grease or oil come in contact with the disc drive plate or friction wheel, be sure to clean the plate and wheel thoroughly.

NOTE: For storage, the hex shaft and gears should be wiped with 5W-30 motor oil to prevent rusting (See Fig 17)

- Auger Gear Box - The auger gear box has been factory lubricated for life. If for some reason lubricant should leak out, have the auger gear case checked by a competent repairman.

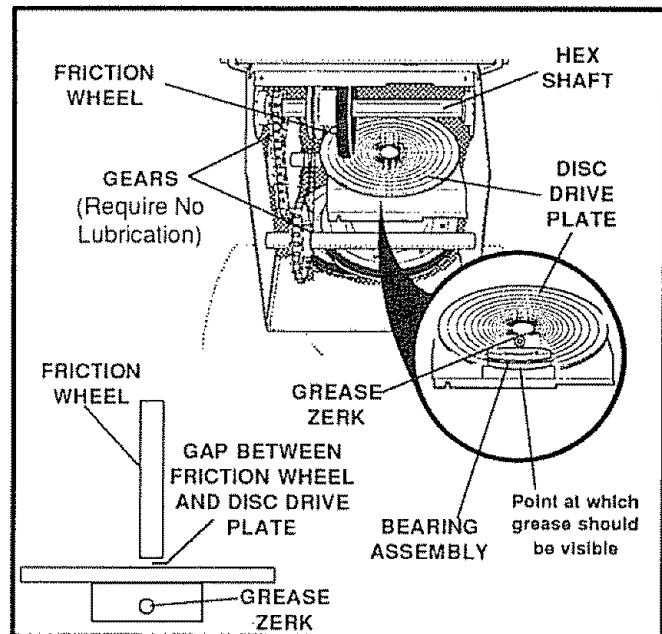


FIG.17

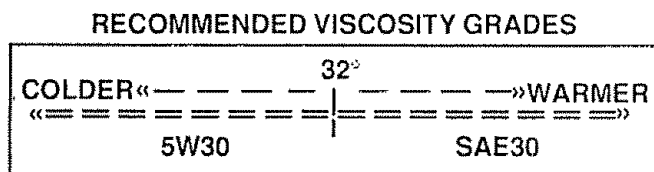
ENGINE

LUBRICATION

Check the crankcase oil level (See Fig 18) before starting the engine and after each five (5) hours of continuous use. Add S A E 5W-30 motor oil as needed. Tighten fill cap/dipstick securely each time you check the oil level.

OIL RECOMMENDATION

Only use high quality detergent oil rated with API service classification SG. Select the oil's viscosity grade according to your expected operating temperature:



NOTE: For extreme cold operating conditions of 0° and below, use a partial synthetic 0W30 motor oil for easier starting.

NOTE: Although multi-viscosity oils improve starting in cold weather, these multi-viscosity oils will result in increased oil consumption when used above 32°F. Check your engine oil level more frequently to avoid possible engine damage from running low on oil.

Change the oil after first two hours of operation every 25 hours thereafter, and at the beginning of each season (See Fig 19)

- Position the snow thrower so that the oil drain plug is at the lowest point on the engine. Remove the oil drain plug and the oil fill cap/dipstick. Drain the oil into a suitable container. Oil will drain more freely when warm.
- Replace the oil drain plug and tighten securely.

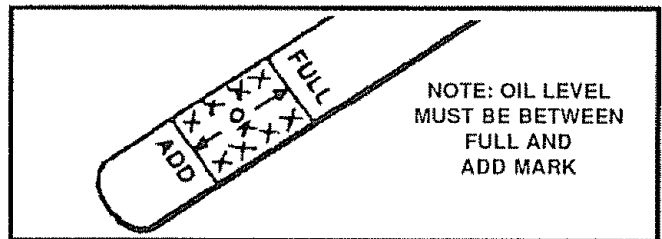


FIG.18

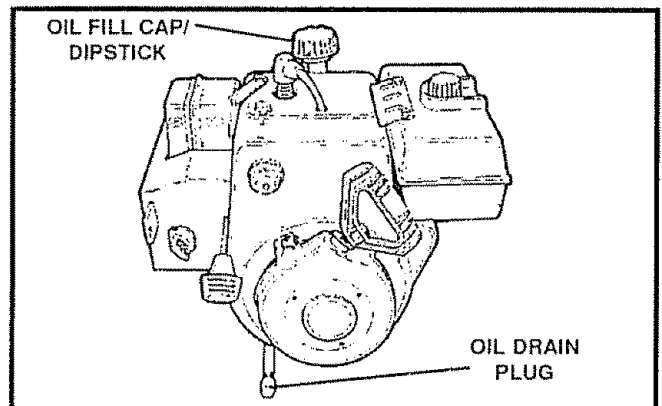


FIG.19

SPARK PLUG

- Make sure that the spark plug is tightened securely into the engine and the spark plug wire is attached to the spark plug.
- If a torque wrench is available, torque plug to 18 to 23 foot pounds.
- Clean the area around the spark plug base before removal to prevent dirt from entering the engine.
- Clean the spark plug and reset the gap periodically at .030 inch.

SERVICE AND ADJUSTMENTS



CAUTION: ALWAYS DISCONNECT THE SPARK PLUG WIRE AND TIE BACK AWAY FROM THE PLUG BEFORE MAKING ANY ADJUSTMENTS OR REPAIRS.

TO ADJUST SKID HEIGHT

This snow thrower is equipped with two height adjustment skids, located on the outside of the auger housing (See Fig. 20). These skids elevate the front of the snow thrower.

For normal hard surfaces, adjust the skids as follows:

- Check tire pressure (14 to 17 pounds). See side of tire for maximum inflation. Do not exceed maximum pressure on side of tire.
- Place the extra shear bolts supplied (found in parts bag) under each end of the scraper bar near but not under the skid.
- Loosen the skid mounting nuts (See Fig. 20) and adjust the skids up to bring the front of the snow thrower down. Re-tighten the mounting nuts.
- Set the skid on the other side at the same height.

For rocky or uneven surfaces, adjust the skids as follows:

- Raise the front of the snow thrower by moving the skids down. This will help prevent rocks and other debris from being picked up and thrown by the auger.

NOTE: Be sure that snow thrower is set at same height on both sides.

TO ADJUST SCRAPER BAR

After considerable use, the metal scraper bar will have a definite wear pattern. The scraper bar in conjunction with the skids should always be adjusted to allow 1/8" between the scraper bar and the sidewalk or area to be cleaned. The scraper bar may have to be returned to its original lower setting to maintain the original performance level. To adjust:

- Position the snow thrower on a level surface.
- Make sure both tires are equally inflated.
- Loosen the carriage bolts and nuts securing the scraper bar to the auger housing.
- Adjust the scraper bar to the proper position.
- Tighten the carriage bolts and nuts, making sure that the scraper bar is parallel with the working surface.
- For extended operation, the scraper bar may be reversed. If the scraper bar must be replaced due to wear, remove the carriage bolts and nuts and install a new scraper bar.

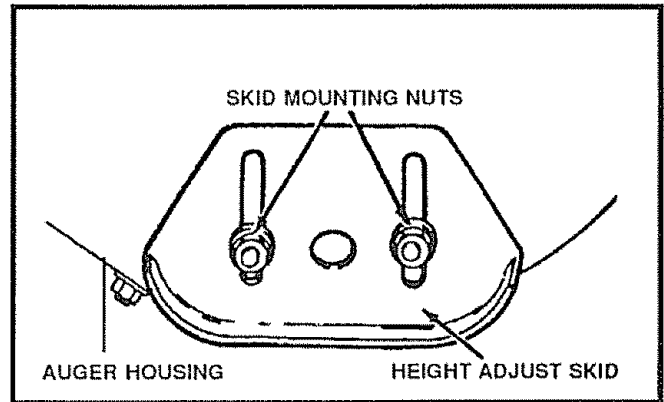


FIG. 20



CAUTION: BE CERTAIN TO MAINTAIN PROPER GROUND CLEARANCE FOR YOUR PARTICULAR AREA TO BE CLEARED. OBJECTS SUCH AS GRAVEL, ROCKS OR OTHER DEBRIS, IF STRUCK BY THE IMPELLER, MAY BE THROWN WITH SUFFICIENT FORCE TO CAUSE PERSONAL INJURY, PROPERTY DAMAGE OR DAMAGE TO THE SNOW THROWER.

TO ADJUST CHUTE CRANK ASSEMBLY

If you cannot rotate the chute crank fully to the left and to the right, you need to adjust the chute crank (See Fig. 21)

- Loosen both 1/2" nuts on the crank adjusting rod (using 3/4" wrenches)
- Rotate the adjusting rod in or out to allow about 1/8" clearance between the notch in the flange and the outer diameter of the worm.
- Once this clearance is set, tighten the nuts.

NOTE: Be sure the crank does not touch the side of the engine or the cover will be scratched

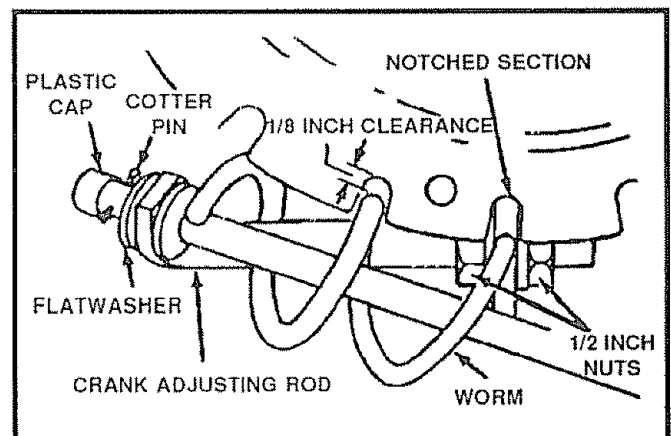


FIG. 21

SERVICE AND ADJUSTMENTS

TO ADJUST THE CLUTCH CONTROL CABLES

Periodic adjustment of the cables may be required due to normal stretch and wear on the belts. To check for correct adjustment, disconnect "Z" Fitting at clutch lever, move clutch lever to the full forward position, just contacting the plastic bumper. The control cables are correctly adjusted when the center of the "Z" fitting is between the center and top of the hole and there is no droop in the cable (See Fig. 22). If adjustment is necessary:

- Remove fuel from tank, and stand blower on end
- Pull rubber boot off the top of the spring. Push the cable through the spring (See Fig. 23) to expose the threaded portion of the cable.
- Hold the square end of the threaded portion with pliers and adjust the locknut in or out until the excess slack is removed.
- Pull the cable back through the spring and connect the cable.
- Do the same for the other lever cable, if needed.

NOTE: Whenever the traction drive or auger belts are adjusted or replaced, the cables will need to be adjusted.

TO ADJUST BELTS

Belts stretch during normal use. If you need to adjust the belts due to wear or stretch, proceed as follows:

AUGER DRIVE BELT (See Fig. 25)

If your snow thrower will not discharge snow, check the control cable adjustment. If it is correct, then check the condition of the auger drive belt. It may be loose or damaged. If it is damaged, replace it. See To Replace Belts paragraph on page 19. If the auger drive belt is loose, adjust as follows:

- Disconnect the spark plug wire
- Remove the belt cover (See Fig. 26).
- Loosen the nut on the idler pulley (See Fig. 24) and move the pulley toward the belt about 1/8"
- Tighten the nut.
- Press the auger drive lever. Check the tension on the belt (opposite auger idler pulley). The belt should deflect about 1/2" with moderate pressure (See Fig. 24).

NOTE: You may have to move the auger idler pulley more than once to obtain the correct tension.

- Replace the belt cover
- Check the clutch control cable adjustment
- Reconnect the spark plug wire

TRACTION DRIVE BELT

The traction drive belt has constant spring pressure and does not require adjustment.

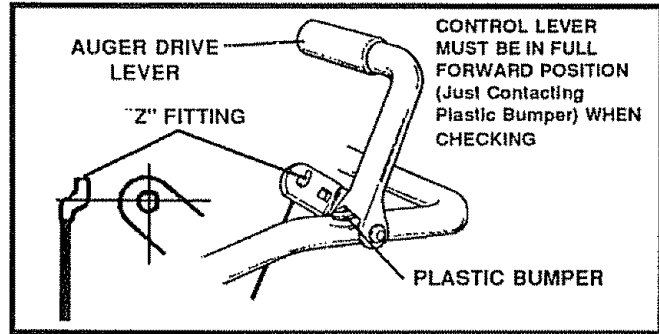


FIG. 22

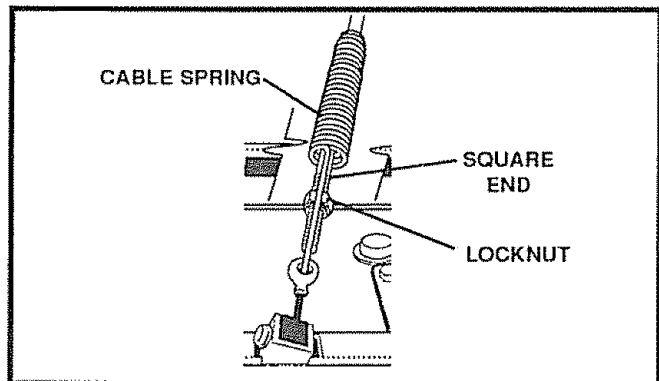


FIG. 23

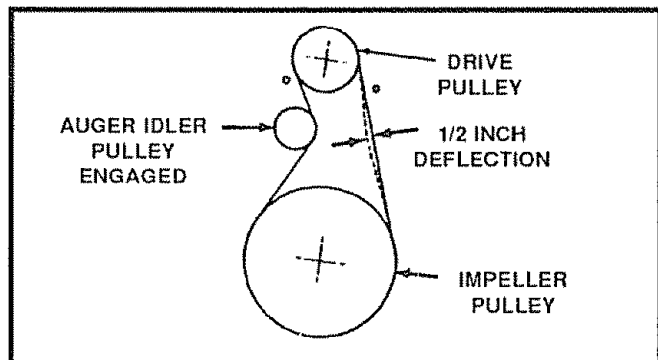


FIG. 24

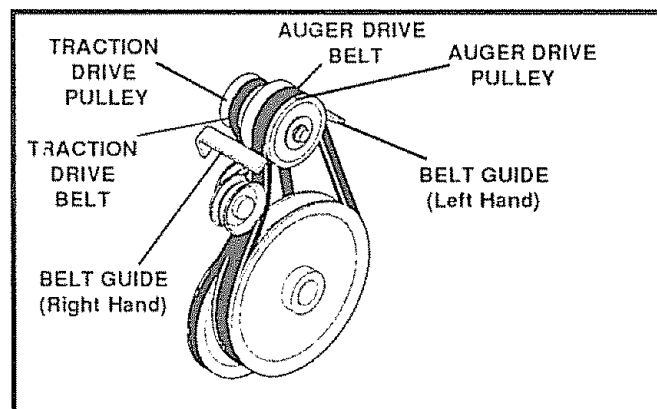


FIG. 25

- Replace the traction drive belt if it is slipping (see To Replace Belts paragraph on page 19).

SERVICE AND ADJUSTMENTS

TO REPLACE BELTS

The drive belts on this snow thrower are of special construction and should be replaced with original equipment belts available from your nearest Sears Store or Service Center.

You will need the assistance of a second person while replacing the belts.

Drain the gasoline from the fuel tank by removing the fuel line at the carburetor. Drain the gas into a container and reinstall the fuel line.



CAUTION: DRAIN THE GASOLINE OUTDOORS, AWAY FROM FIRE OR FLAME.

AUGER DRIVE BELT

If your snow thrower will not discharge snow, and the auger drive belt is damaged, replace it as follows:

- Disconnect the spark plug wire
- Remove the belt cover (See Fig. 26)
- Loosen the belt guides (See Fig. 27) and pull away from the engine drive pulley.
- Loosen nut on the idler pulley (See Fig. 27) and pull idler pulley away from the belt.
- Remove belt from engine drive pulley
- Remove top two bolts that secure auger housing to motor mount frame. Loosen bottom two bolts. Auger housing and motor mount frame will separate, hinged by bottom two bolts. (See Fig. 29).
- Remove brake arm from housing. Do not remove spring.
- Remove old belt from the auger drive pulley.
- Position new belt on auger pulley.
- Reinstall brake arm into housing. Ensure brake arm is fully inserted into housing and brake pad is riding in pulley groove.
- Replace top two bolts, and re-tighten bottom two bolts.
- Adjust the drive belt (see To Adjust Auger Drive Belt paragraph on page 18)
- Adjust the belt guides (see To Adjust The Belt Guides paragraph on page 20)
- Reinstall the belt cover
- Reconnect the spark plug wire

TRACTION DRIVE BELT (See Fig. 27)

If your snow thrower will not move forward, check the traction drive belt for wear. (Check other causes also in the Trouble Shooting Points section.) If the traction drive belt needs to be replaced, proceed as follows:

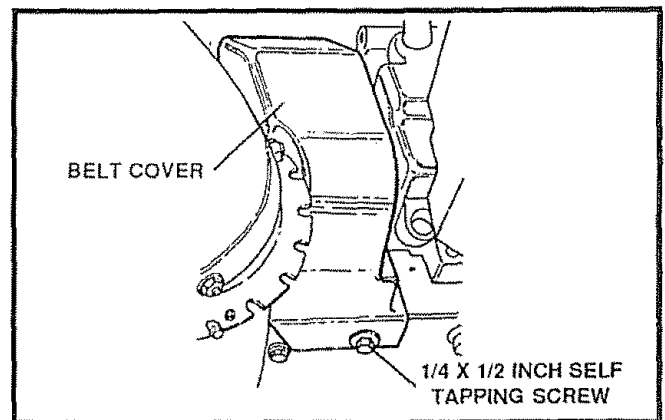


FIG. 26

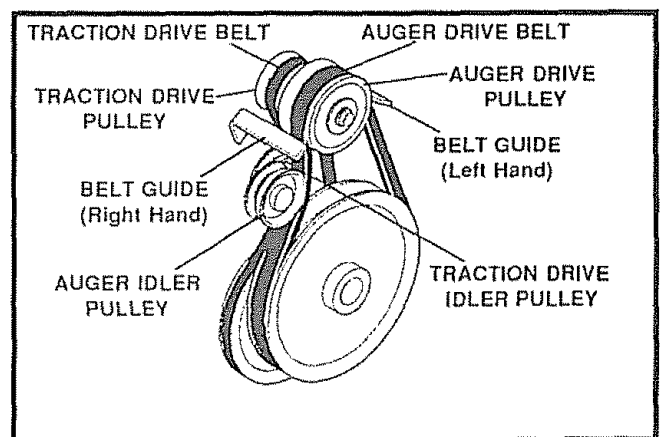


FIG. 27

- Disconnect the spark plug wire
- Remove the belt cover.
- Loosen the belt guides and pull away from engine drive pulley.
- Loosen nut on auger idler and pull auger idler pulley away from belt. **Note location of idler pulley for later re-installation.**
- Remove auger drive belt from engine pulley.
- Pull the drive belt idler pulley away from the drive belt.
- Remove the drive belt
- Position new drive belt onto traction pulley.
- Pull idler pulley away from belt, allowing belt to be positioned onto engine pulley.
- Release idler pulley. Ensure idler pulley is properly engaged with belt
- Reinstall auger drive belt
- Adjust the belt guides and tighten mounting screws (see To Adjust The Belt Guides paragraph on page 20).
- Adjust idler on auger belt
- Reinstall the belt cover
- Reconnect the spark plug wire

SERVICE AND ADJUSTMENTS

TO ADJUST THE BELT GUIDES

There are two belt guides on your snow thrower, a left and right. After you replace the traction drive belt, you need to adjust one or both of the belt guides. Proceed as follows for each belt:

- Disconnect the spark plug wire.
- Remove the belt cover (See Fig. 26).
- Engage the auger drive clutch lever.
- Measure the distance between the belt guides and the belt (See Fig. 28). The distance should be $\frac{3}{32}$ " for each guide.
- If adjustment is necessary, loosen the belt guide mounting bolts. Move the belt guides to the correct position. Tighten the mounting bolts.
- Reinstall the belt cover
- Reconnect the spark plug wire

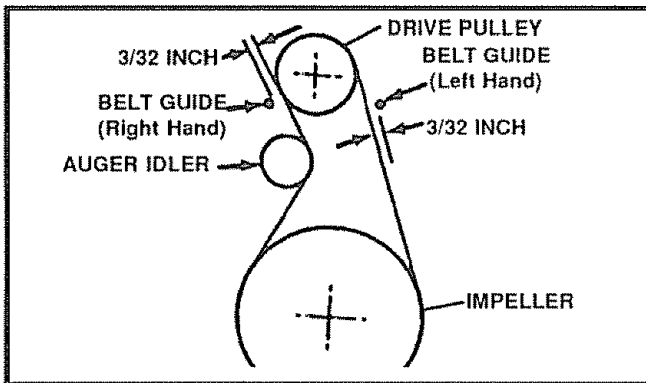


FIG. 28

TO ADJUST THE FRICTION WHEEL

If the snow thrower will not move forward, you need to check the traction drive belt, the traction drive cable or the friction wheel. If the friction wheel is damaged, it will need to be replaced. See the To Replace Friction Wheel paragraph on page 21. If the friction wheel is not worn, check the adjustment, as follows:

- Disconnect the spark plug wire
- Drain the gasoline from the gas tank.
- Stand snow thrower on the auger housing end.
- Remove the bottom panel (See Fig. 29).
- Position the shifter lever in first (1) gear.
- Note the position of the friction wheel on the disc drive plate. The right outer side of the disc drive plate should be 3" from the center of the friction wheel (See Fig. 29A).

If adjustment is necessary:

- Loosen bolts in speed selector lever (See Fig. 29B)

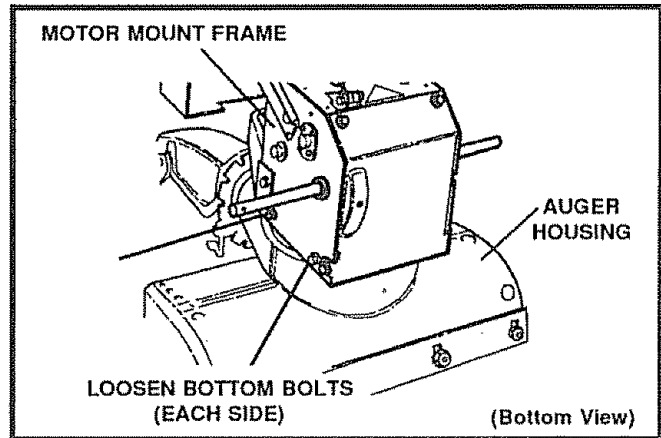


FIG. 29

- Move friction wheel to proper position as indicated in previous step (Fig. 29A).
- Re-tighten bolts in speed selector lever
- Reinstall the bottom panel

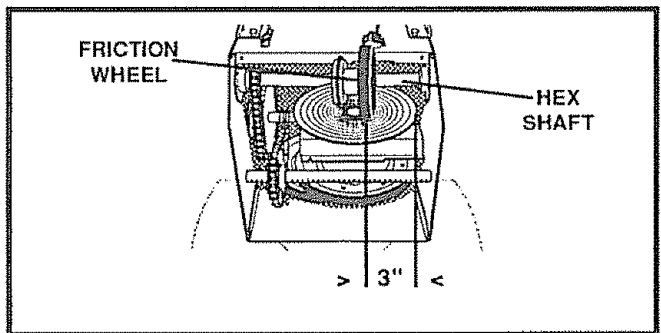


FIG. 29A

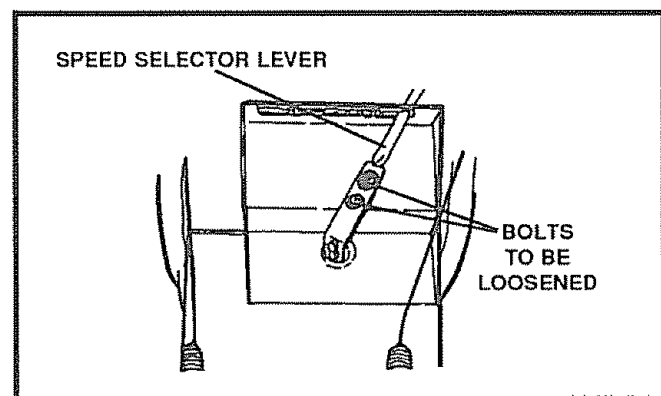


FIG. 29B

SERVICE AND ADJUSTMENTS

TO REPLACE FRICTION WHEEL

If the snow thrower will not move forward, and the friction wheel is worn or damaged, you need to replace it as follows: (First allow the engine to cool.)



CAUTION: DRAIN GASOLINE OUTDOORS AWAY FROM FIRE OR FLAME.

- Drain the gasoline from the fuel tank by removing the fuel line at the carburetor. Drain the fuel in a container and reinstall the fuel line.
- Disconnect the spark plug wire.
- Stand the snow thrower up on the auger housing end.
- Remove the bottom panel (See Fig. 30)
- Remove the three (3) fasteners securing the friction wheel to the hub (See Fig. 31)
- Remove the four bolts securing the bearing plates (both sides) (See Fig. 32)
- Remove right side bearing plate. Leave hex shaft in original position
- Remove friction wheel from hub. Slip friction wheel off hex shaft towards right side
- Slip new friction wheel onto hub with recessed or cupped end away from hub (See Fig. 31).
- Install bearing plates to original position. Ensure hex shaft is engaged with both bearing plates.
- Secure bearing plates, using bolts removed earlier
- Secure friction wheel to hub using fasteners removed earlier. Ensure hex shaft turns freely

NOTE: Ensure friction wheel and friction disc are free from grease or oil

- Replace bottom panel
- Lower the snow thrower onto the tires

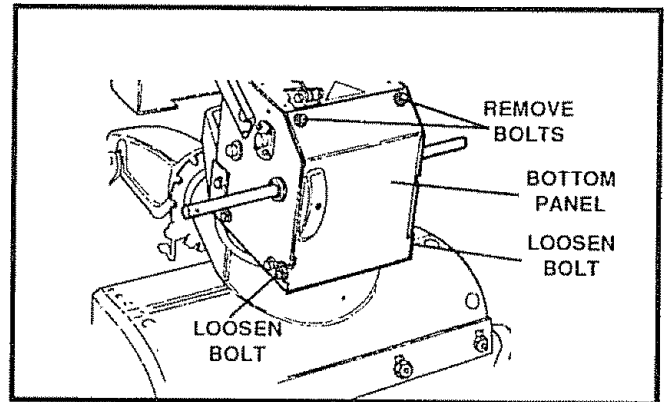


FIG. 30

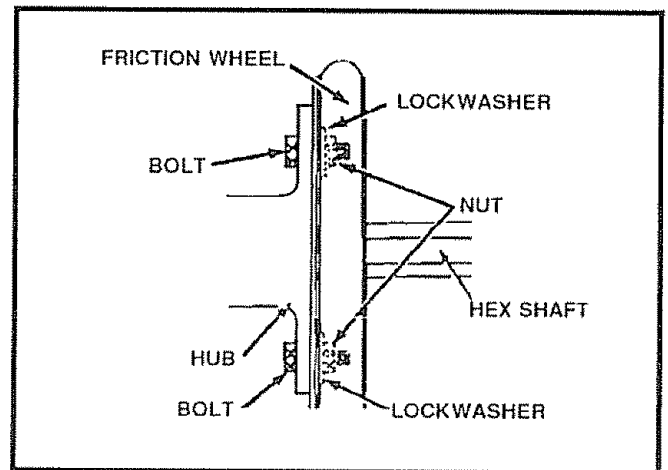


FIG. 31

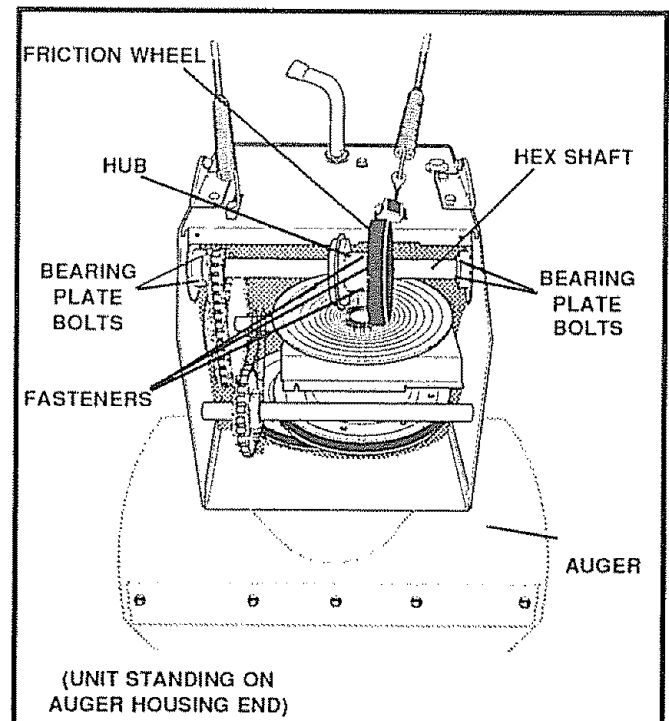


FIG. 32

SERVICE AND ADJUSTMENTS

TO REPLACE AUGER SHEAR BOLT

The augers are secured to the auger shaft with special bolts (See Fig. 33) that are designed to break (to protect the machine) if an object becomes lodged in the auger housing. Use of a harder bolt will destroy the protection provided by the shear bolt.

IMPORTANT: TO INSURE SAFETY AND PERFORMANCE LEVELS, ONLY ORIGINAL EQUIPMENT SHEAR BOLTS SHOULD BE USED. WHEN REPLACING SHEAR BOLTS, BE SURE TO REPLACE SHEAR BOLT SPACERS.

To replace a broken shear bolt, proceed as follows:

- Move the throttle to STOP and turn off all controls.
- Disconnect the spark plug wire. Be sure all moving parts have stopped.
- Lubricate the auger shaft zerk fitting (see the Customer Responsibilities section on pages 15-16).
- Align the hole in the auger with the hole in the auger shaft. Install the new shear bolt and shear bolt spacer provided.
- Reconnect the spark plug wire

TO ADJUST CARBURETOR

The carburetor (See Fig. 34 and Fig. 36, Page 24) has been pre-set at the factory and readjustment should not be necessary. However, if the carburetor does need to be adjusted, proceed as follows:

- Close the high speed adjusting screw by hand.
- Do not over-tighten.
- Then open it 1-1/4 to 1-1/2 turns.
- Close the idle adjusting screw by hand. Do not over-tighten.
- Then open it 1-1/4 to 1-1/2 turns.
- Start the engine and let it warm up.
- Set the throttle control to RUN. Adjust the high speed adjusting screw **in** until the engine speed or sound alters. Adjust the screw **out** until the engine speed sound alters. Note the difference between the two limits and set the screw in the middle of the range.
- Let the engine run undisturbed for 30 seconds after each setting to allow the engine to react to the previous adjustment.
- Set the throttle control to SLOW. Adjust the idle adjusting screw **in** until the engine speed drops, then adjust the screw **out** until the engine speed drops. Note the difference between the two limits and set the screw in the middle of the range.

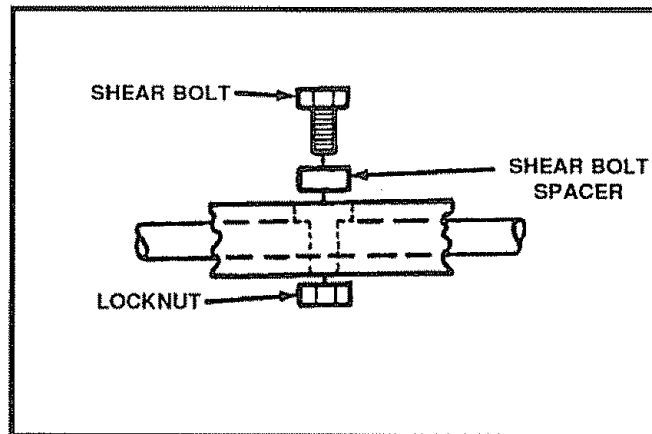


FIG. 33

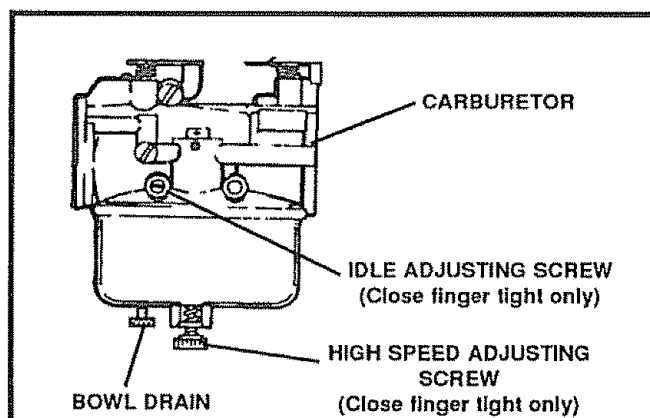


FIG. 34

- If the engine tends to stall under load or does not accelerate from low speed to high speed properly, adjust the high speed screw out in 1/8 turn increments until the problem is resolved. Let the engine run for 30 seconds between settings.

IMPORTANT: NEVER TAMPER WITH THE ENGINE GOVERNOR, WHICH IS FACTORY SET FOR PROPER ENGINE SPEED. OVERSPEEDING THE ENGINE ABOVE THE FACTORY HIGH SPEED SETTING CAN BE DANGEROUS. IF YOU THINK THE ENGINE - GOVERNED HIGH SPEED NEEDS ADJUSTING, CONTACT YOUR NEAREST SEARS SERVICE CENTER, WHICH HAS THE PROPER EQUIPMENT AND EXPERIENCE TO MAKE ANY NECESSARY ADJUSTMENTS.

SERVICE AND ADJUSTMENTS

TO ADJUST OR REPLACE THE SPARK PLUG

If you have difficulty starting your snow thrower, you may need to adjust or replace the spark plug. Follow the instructions below.

Replace the spark plug if the electrodes are pitted or burned or if the porcelain is cracked.

TO ADJUST:

- Clean the spark plug by carefully scraping the electrodes (do not sand blast or use a wire brush).
- Be sure the spark plug is clean and free of foreign material. Check the electrodes gap (See Fig. 35) with a wire feeler gauge and reset the gap to .030 inch if necessary.

TO REPLACE:

- If you need a new spark plug, use only the proper replacement spark plug (See page 4).
- Set the gap to .030.

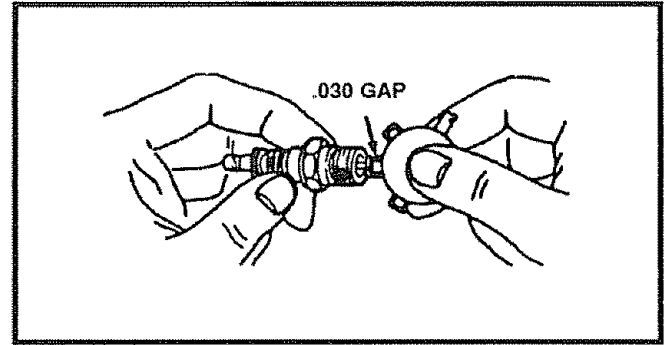


FIG. 35

- Before installing the spark plug, coat its threads lightly with oil or grease to insure easy removal.
- Tighten the plug firmly into the engine.
- If a torque wrench is available, torque the plug to 18 to 23 ft. - lbs.

STORAGE



CAUTION: NEVER STORE YOUR SNOW THROWER INDOORS OR IN AN ENCLOSED, POORLY VENTILATED AREA IF GASOLINE REMAINS IN THE TANK. FUMES MAY REACH AN OPEN FLAME, SPARK OR PILOT LIGHT FROM A FURNACE, WATER HEATER, CLOTHES DRYER, CIGARETTE, ETC.

To prevent engine damage (if snow thrower is not used for more than 30 days) follow the steps below.

ENGINE STORAGE

Gasoline must be removed or treated to prevent gum deposits from forming in the tank, filter, hose, and carburetor during storage. Also during storage, alcohol blended gasoline that uses ethanol or methanol (sometimes called gasohol) attracts water. It acts on the gasoline to form acids which damage the engine.

- To remove gasoline, run the engine until the tank is empty and the engine stops. Then drain remaining gasoline from carburetor by pressing upward on bowl drain located on the bottom of carburetor (See Fig 36).
- If you do not want to remove gasoline, a fuel stabilizer (such as Craftsman Fuel Stabilizer No. 33500) may be added to any gasoline left in the tank to minimize gum deposits and acids. If the tank is almost empty, mix stabilizer with fresh gasoline in a separate container and add some to the tank. **ALWAYS FOLLOW INSTRUCTIONS ON STABILIZER CONTAINER. THEN RUN ENGINE AT LEAST 10 MINUTES AFTER STABILIZER IS ADDED TO ALLOW MIXTURE TO REACH CARBURETOR. STORE SNOW THROWER IN A SAFE PLACE. SEE WARNING ABOVE.**

You can keep your engine in good operating condition during storage by:

- Changing oil (See page 16)
- Lubricating the piston/cylinder area. This can be done by first removing the spark plug and squirting a few drops of clean engine oil into the spark plug hole. Then cover the spark plug hole with a rag to absorb oil spray. Next, rotate the engine by pulling the starter rope fully out two or three times. Finally, reinstall spark plug and attach spark plug wire.

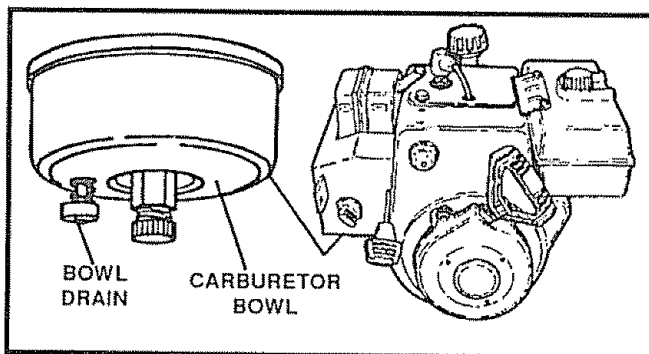


FIG. 36

SNOW THROWER STORAGE

- Thoroughly clean the snow thrower
- Lubricate all lubrication points (see the Customer Responsibilities section on pages 15-16).
- Be sure that all nuts, bolts and screws are securely fastened. Inspect all visible moving parts for damage, breakage and wear. Replace if necessary.
- Touch up all rusted or chipped paint surfaces; sand lightly before painting.
- Cover the bare metal parts of the blower housing auger and the impeller with rust preventative, such as a spray lubricant.

NOTE: A yearly checkup or tune-up by a SEARS Service Center is a good way to insure that your snow thrower will provide maximum performance for the next season.

- Start the engine and run at SLOW (idle) speed until the engine stops from lack of fuel.

OTHER

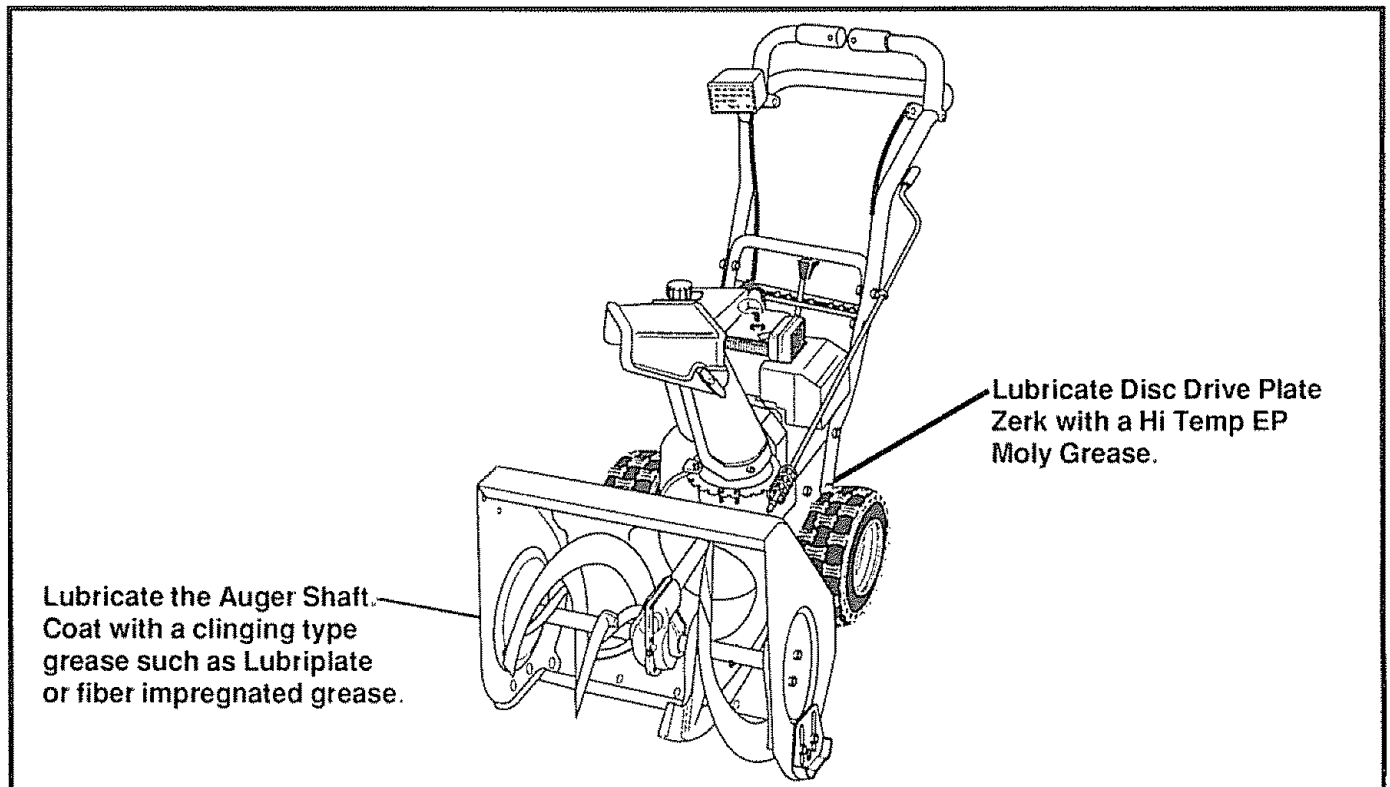
- If possible, store your snow thrower indoors and cover it to give protection from dust and dirt.
- If the machine must be stored outdoors, block up the snow thrower to be sure the entire machine is off the ground.
- Cover the snow thrower with a suitable protective cover that does not retain moisture. Do not use plastic or vinyl.

IMPORTANT: NEVER COVER SNOW THROWER WHILE ENGINE AND EXHAUST AREAS ARE STILL WARM

SERVICE RECOMMENDATIONS

SERVICE RECORDS Fill in dates as you complete regular service	SCHEDULE								SERVICE DATES			
	After First 2 hours	Before Each Use	As Needed	Every 5 Hours	Every 10 Hours	Every 25 Hours	Each Season	Before Storage				
Check Engine Oil Level		✓		✓			✓					
Change Engine Oil	✓					✓	✓					
Tighten All Screws and Nuts	✓		✓									
Check Traction Clutch Cable Adjustment (See Cable Adjustment)	✓						✓					
Check Spark Plug						✓	✓					
Adjust Drive Belts	✓					✓	✓					
Lubricate All Pivot Points					✓				✓			
Lubricate Auger Shaft (See Shear Bolt Replacement)					✓				✓			
Check Fuel		✓										
Drain Fuel									✓			
Check Auger Clutch Cable Adjustment (See Cable Adjustment)	✓						✓					
Lubricate Disc Drive Plate Zerk						✓			✓			

LUBRICATION CHART

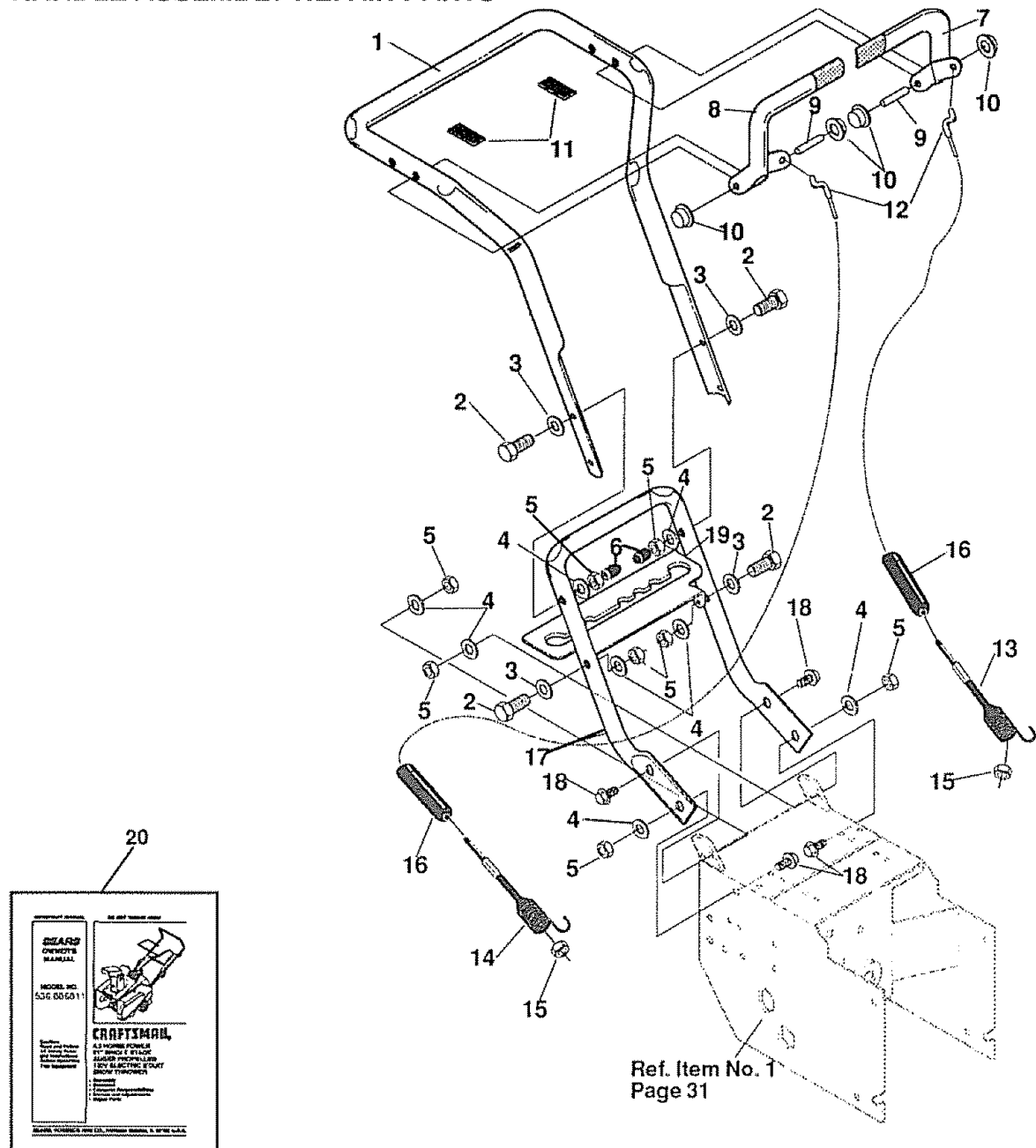


TROUBLE SHOOTING POINTS

TROUBLE	CAUSE	CORRECTION
Difficult starting	Defective spark plug Water or dirt in fuel system	Replace defective plug Use carburetor bowl drain to flush and refill with fresh fuel.
Engine runs erratically	Blocked fuel line or low on fuel	Clean fuel line; check fuel supply; add fresh fuel (gasoline/oil mixture if 2 cycle engine)
Engine stalls	Unit running on CHOKE	Move choke lever to OFF position
Engine runs erratically; Loss of power	Water or dirt in fuel system Carburetor out of adjustment	Use carburetor bowl drain to flush and refill with fresh fuel Adjust carburetor
Excessive vibration	Loose parts; damaged impeller	Stop engine immediately and disconnect spark plug wire Tighten all bolts and make all necessary repairs. If vibration continues, have the unit serviced by a competent repairman
Unit fails to propel itself	Drive belt loose or damaged Incorrect adjustment of traction drive cable Worn or damaged friction wheel	Replace drive belt Adjust traction drive cable Replace friction wheel
Unit fails to discharge snow	Auger drive belt loose or damaged Auger control cable not adjusted correctly Shear bolt broken Discharge chute clogged Foreign object lodged in auger	Adjust auger drive belt; replace if damaged Adjust auger control cable Replace shear bolt Stop engine immediately and disconnect spark plug wire Clean discharge chute and inside of auger housing Stop engine immediately and disconnect spark plug wire Remove object from auger
Headlight does not work	Loose wire connection Bulb burned out	Tighten connection Replace headlight bulb

CRAFTSMAN 26" SNOW THROWER 536.886811

HANDLE ASSEMBLY REPAIR PARTS



REF. NO.	PART NO.	PART NAME
1	321835-830	Handle, Upper
2	302900	Screw, Hex, 5/16-18 x 1-3/4 In
3	71071	* Flatwasher, 11/32 In.
4	71060	Lockwasher, Split 5/16 In.
5	71037	* Nut, Hex, 5/16-18 Thd.
6	11261	Stop, Plastic
7	307976	Traction Drive, Lever, LH
8	307978	Auger Drive, Lever, RH
9	4140	Pin, Clutch Handle Pivot
10	3535	Nut, Push On Cap 5/16 In.
11	4049	Bumper

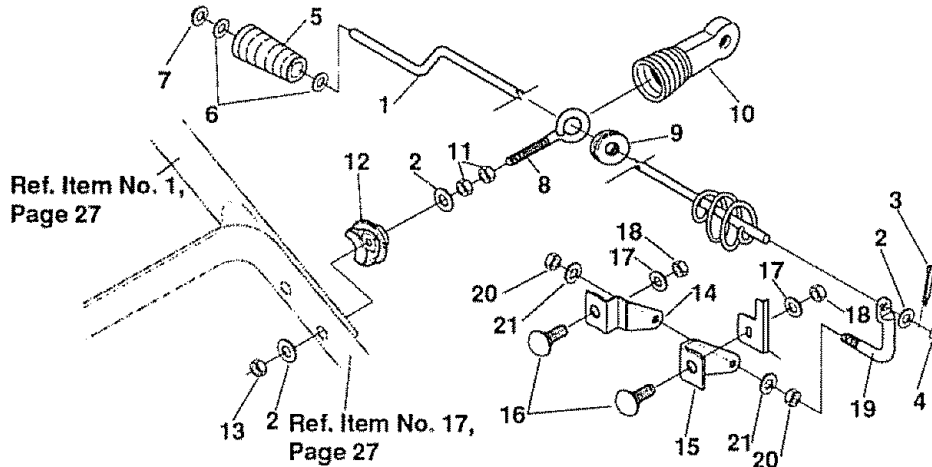
REF. NO.	PART NO.	PART NAME
12	1579	Cable, Clutch
13	579869	Spring, Tension, Traction
14	1673	Spring, Auger Clutch
15	71035	Nut, Hex Nyl 1/4-20 In.
16	308146	Boot, Clutch Spring
17	580667-830	Handle, Lower
18	70985	Screw, HHC, 5/16-18 x 3/4 In
19	580639-830	Bracket, Shift
20	325954	Owner's Manual

* Indicates Standard Hardware Items

318782-319688 B

CRAFTSMAN 26" SNOW THROWER 536.886811

CHUTE CONTROL ROD REPAIR PARTS

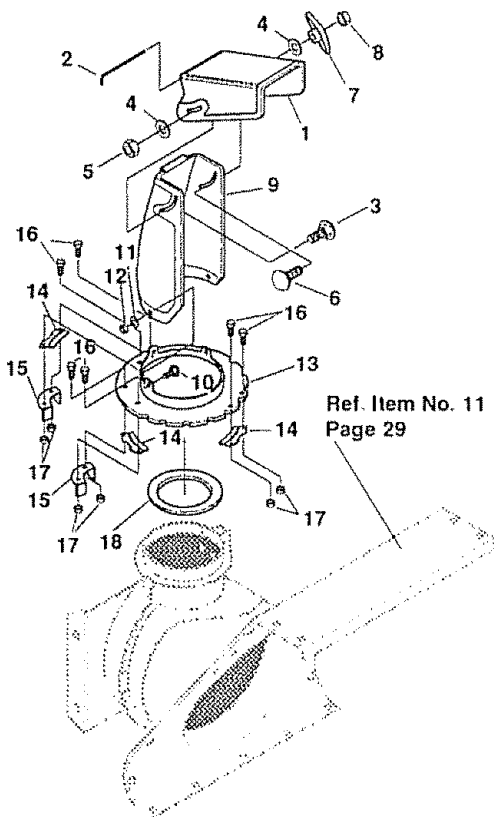


REF. NO.	PART NO.	PART NAME	REF. NO.	PART NO.	PART NAME
1	325607	Crank & Worm Assembly	12	309344	Adapter, Boot to Handle
2	71072	Flatwasher, 406x 81x.066	13	71046	Nut, Hex Nyl 3/8-16 Thd.
3	71082	Pin, Cotter	14	1162	Bracket, Chute Control R H.
4	104	Cap, Plastic	15	7052	Bracket, Chute Control L H.
5	307399	Handle Grip, Chute Control Rod	16	70993	Bolt, Carriage, 5/16-18x3/4 In
6	309312	Flatwasher, 39x 70x.05	17	71060	Lockwasher, Split, 5/16 In
7	304872	Ring, Retainer	18	71037	* Nut, Hex, 5/16-18 Thd
8	71457	Bolt, Eye	19	7055	Rod, Chute Control
9	148	Grommet, Eye Bolt	20	7058	Nut, Hex Jam, 1/2-20 Thd
10	308145	Boot, Eye Bolt, Chute Crank	21	7059	Lockwasher, Split, 1/2 In.
11	71045	Nut, Hex Jam, 3/8-16 Thd.			

318783-314004 A

* Indicates Standard Hardware Items

DISCHARGE CHUTE REPAIR PARTS



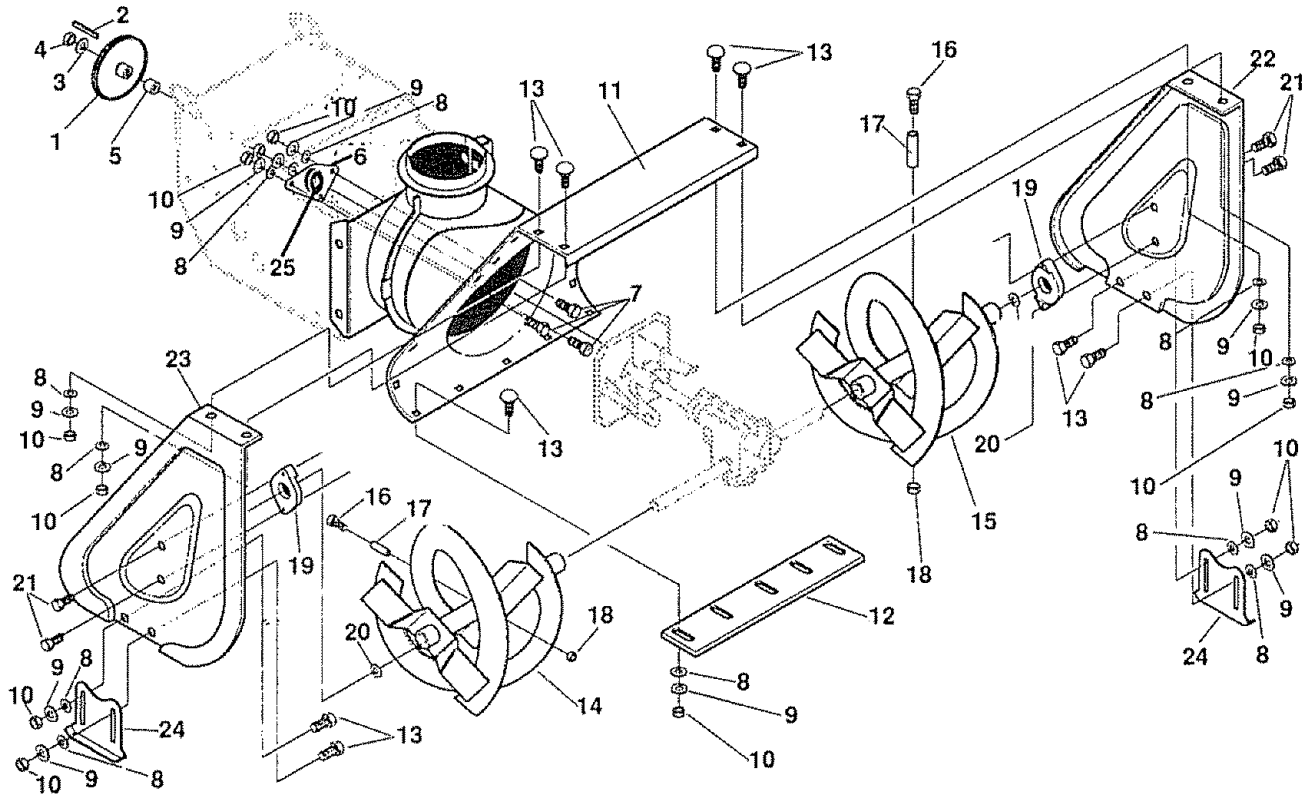
REF. NO.	PART NO.	PART NAME
1	307665	Upper Chute Deflector
2	308931	Wire, Chute Hinge
3	302634	Screw, SlitMa, 5/16-18x3/4 In
4	302680	Flatwasher, 312x 73x.065
5	71391	* Locknut, Hex, 5/16-18 Thd.
6	302843	Bolt, Carriage, 5/16-18x1-1/4 In
7	57171	Knob, Tee
8	71037	* Nut, Hex, 5/16-18 Thd
9	307693	Lower Chute
10	305236	Screw, 1/4-20x1/2 In.
11	71067	* Flatwasher, 286x 63x.065
12	73826	Locknut, Hex, 1/4-20 Thd.
13	302244-830	Ring, Lower Chute
14	302172	Clip, Lower Chute Ring
15	310860	Stop, Chute Rotate
16	71032	Screw, WahMa, #8-32x1/2 In
17	71058	Locknut, Hex, #8-32
18	302275	Ring, Chute Rotate

* Indicates Standard Hardware Items

318779-314123 C

CRAFTSMAN 26" SNOW THROWER 536.886811

AUGER HOUSING ASSEMBLY REPAIR PARTS



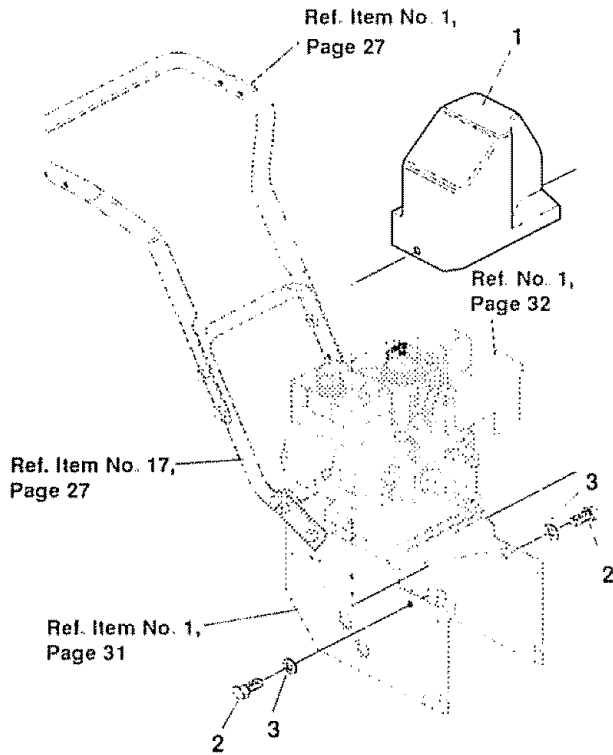
REF. NO.	PART NO.	PART NAME
1	583127	Pulley, Auger Drive 6 5 In.
2	71371	Key, Square
3	71074	Washer, Flat .53x1.06x.095
4	274654	Nut, 1/2-20 Reghexctrk
5	583161	Spacer, Sleeve .676x1.00x.52
6	582960	Ball Bearing Retainer
7	70983	Screw, HHC, 5/16-18 x .63
8	71071	* Washer, Flat .349x.69x.066
9	71060	Washer, Spltk .31x.58x.08
10	71037	* Nut, Hex, 5/16-18 Thd
11	583191-854	Hsng, Assembly Auger
12	301108-853	Blade, Scraper
13	70993	Bolt, 5/16-18x.75 In

REF. NO.	PART NO.	PART NAME
14	302090-830	Auger, Assembly RH
15	302091-830	Auger, Assembly LH
16	9524	Screw, 1/4-20x1.75 Hhctf
17	3943	Spacer, Sleeve .250x.47x.20
18	73826	Nut, 1/4-20 Reghexctrk
19	53757	Bearing, Auger Shaft 1" ID
20	73755	Washer, Auger 1.005x1.31x.035
21	70984	Screw, 5/16-18x.75 Wahhtap
22	308070	Plate, Auger Hsng LH
23	308071	Plate, Auger Hsng RH
24	50643-830	Skid, Height Adjust
25	49562	Bearing

* Indicates Standard Hardware Items

CRAFTSMAN 26" SNOW THROWER 536.886811

BELT COVER REPAIR PARTS

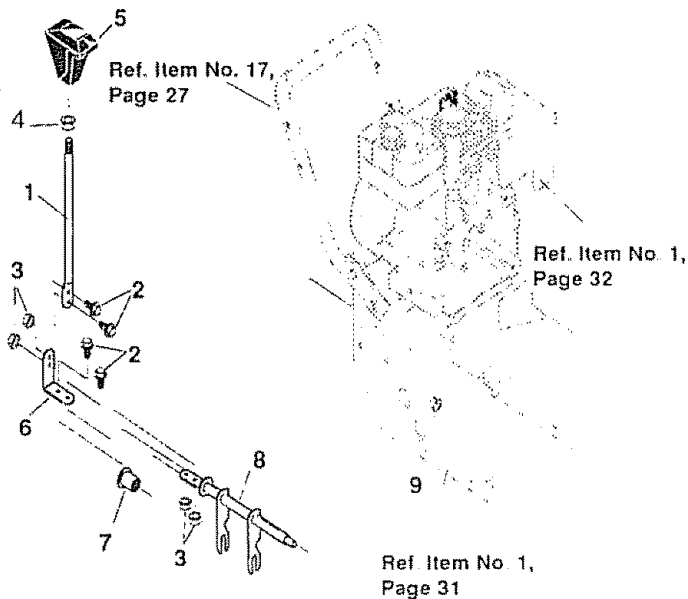


REF. NO.	PART NO.	PART NAME
1	580773	Cover, Belt
2	70978	Screw, WaTap, 1/4-20x1/2 In.
3	71067	* Flatwasher, 5/8 In.

* Indicates Standard Hardware Items.

318778-314018 A

SHIFT YOKE REPAIR PARTS

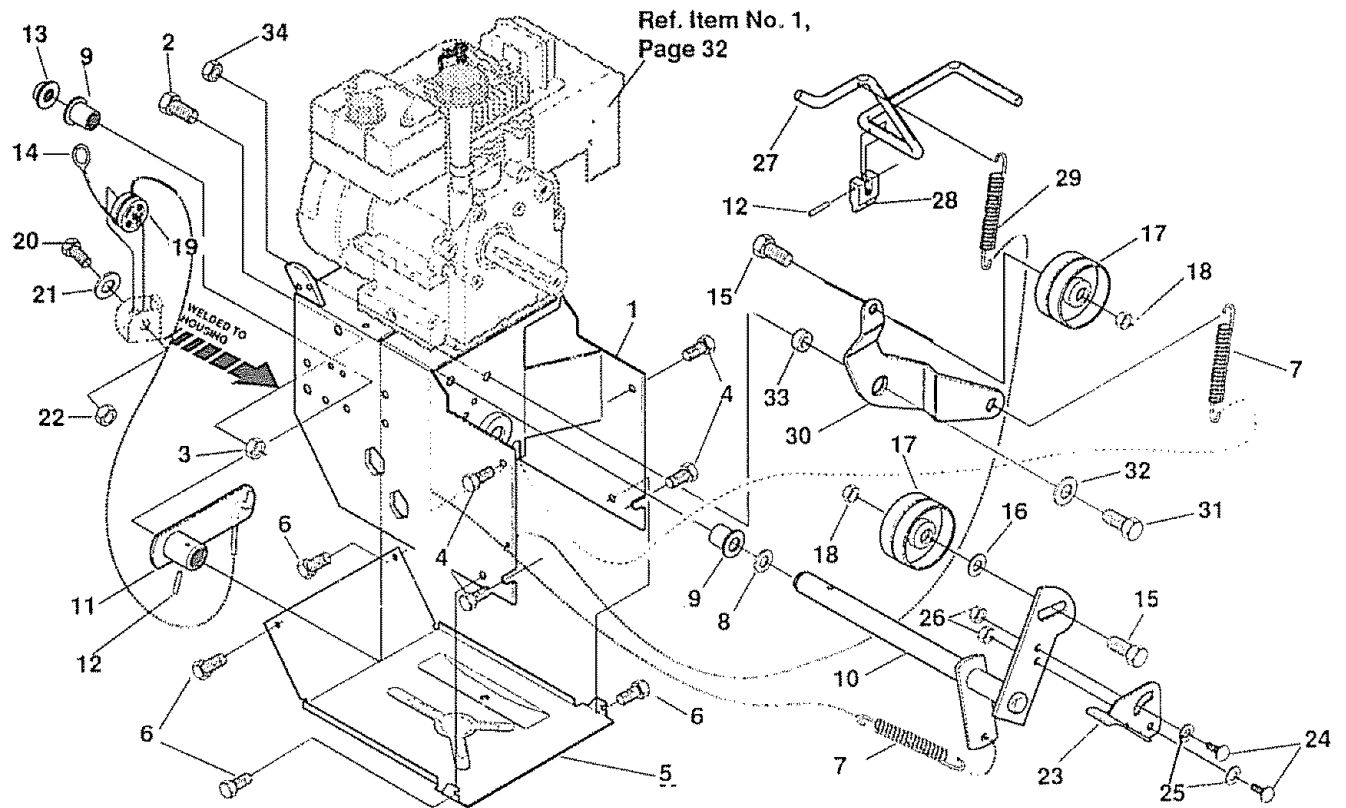


REF. NO.	PART NO.	PART NAME
1	581631-830	Rod, Shift Selector
2	302638	Screw, 1/4-20x5/8 In.
3	73826	Locknut, Hex, 1/4-20 Thd
4	318486	Nut, HexJam, 1/2-13
5	304438	Knob, Shift
6	581630	Plate, Shift Lever
7	579944	Bearing, Flange
8	320765	Shift Yoke Assembly
9	71111	Locknut, Hex, 3/8-16 Thd

319032-319053 B

CRAFTSMAN 26" SNOW THROWER 536.886811

FRAME COMPONENTS REPAIR PARTS



REF. NO.	PART NO.	PART NAME
1	583052-854	Frame
2	71393	Screw, HHC, 5/16-24x1 In
3	71100	Locknut, HexWdFl, 5/16-24 Thd
4	70984	Screw, WaTap, 5/16-18x3/4 In
5	583031-830	Panel, Bottom
6	70978	Screw, WaTap, 1/4-20x1/2 In
7	53704	Spring, Idler Traction Drive
8	71074	Flatwasher, 53x1.06x.095
9	53703	Bearing, Flange
10	580889	Shaft Auger Clutch, Assy
11	579874	Lever, Auger Clutch
12	73801	Pin, Spring
13	73817	Nut, Push On
14	579856	Cable, Clutch
15	71006	Screw, HHC, 3/8-16x1-1/4 In
16	71072	Flatwasher
17	50793	Pulley, Idler

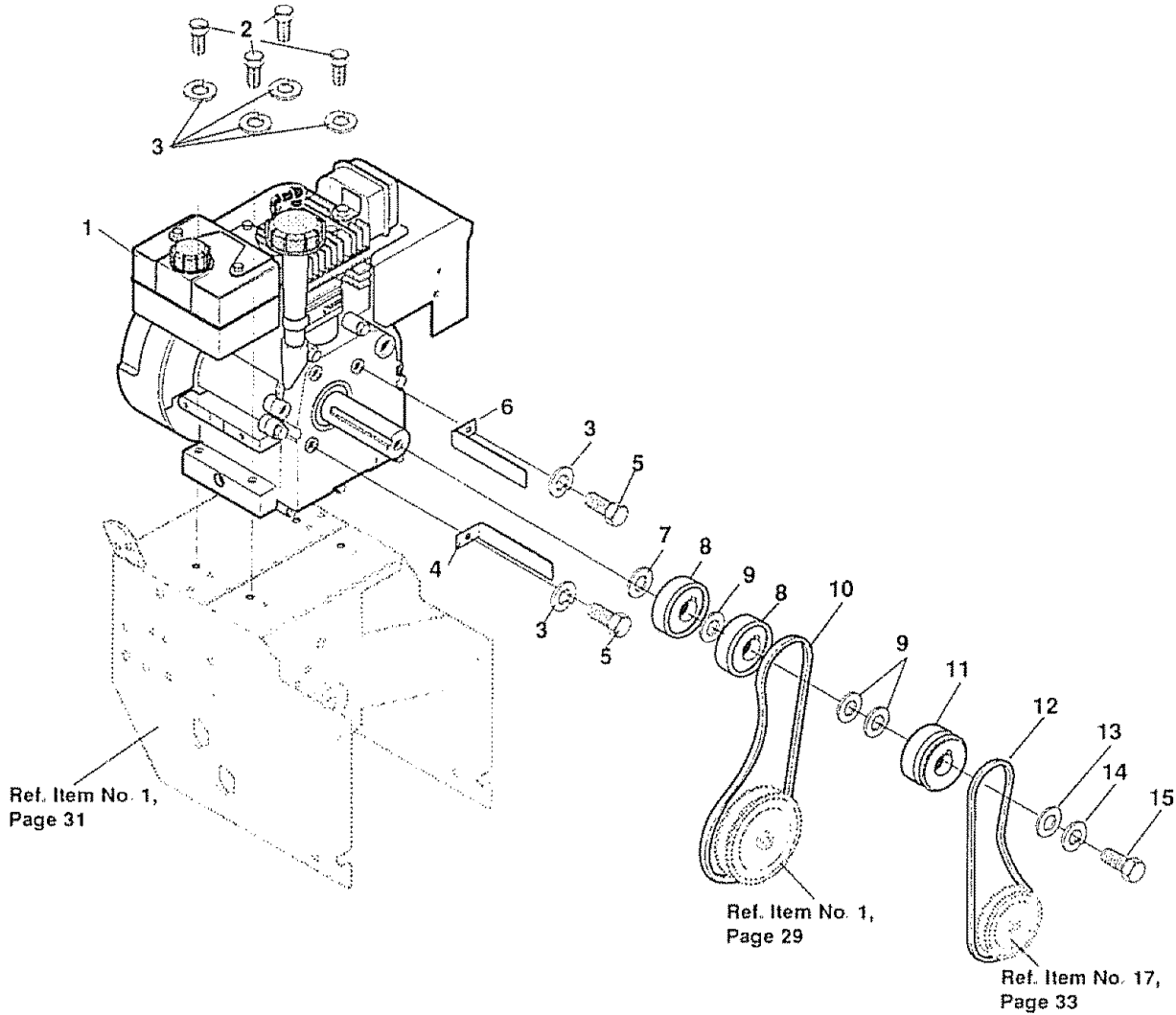
REF. NO.	PART NO.	PART NAME
18	590	Locknut, Jam, 3/8-16 Thd
19	579860	Spool, Cable Auger Clutch
20	71360	Screw, HHC, 1/4-20x1-3/4 In
21	71067	*Flatwasher
22	71035	Nut, Hex Nyl, 1/4-20 Thd
23	580944	Cam, Brake Arm
24	302623	Bolt, Carriage, 1/4-20x5/8 In
25	120393	*Flatwasher
26	1502	Nut, 1/4-20 Reg Hex Ctrlk
27	580945	Rod, Brake Arm
28	581540	Pad, Auger/Impeller Brake
29	318468	Spring, Tension Return
30	579872	Lever, Idler Arm Traction
31	70985	Screw, 5/16-18 x .75 In
32	73795	Flatwasher, 328x1.38x.075
33	579865	Bushing, Idler Lever
34	71038	Nut, 5/16-18 Hex Nylon

* Indicates Standard Hardware Items

319047-313993 D

CRAFTSMAN 26" SNOW THROWER 536.886811

ENGINE COMPONENTS REPAIR PARTS

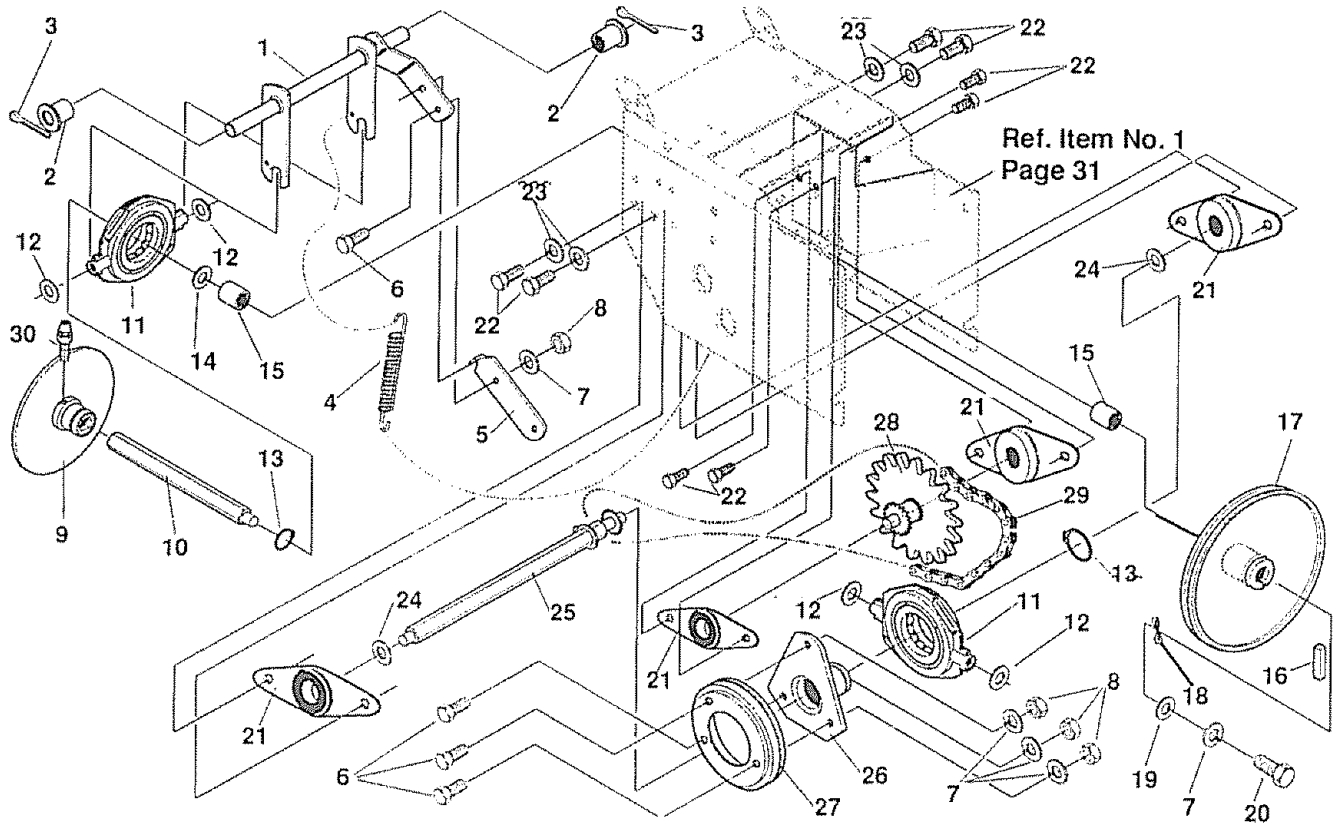


REF. NO.	PART NO.	PART NAME
1	326713	Engine, Craftsman, Model No 143 836012 (See Engine Repair Parts list)
2	302636	Screw, HHC, 5/16-18x1-1/4 In
3	71060	Lockwasher, Split, 5/16x .58x .08
4	579857	Bracket, Belt Guide
5	578733	Screw, HHC, 5/16-24x5/8 In.
6	579857	Bracket, Belt Guide
7	579855	Washer, Crankshaft
8	579854	Pulley Half
9	579861	Flatwasher, 752x.91x .02
10	579932	Belt, Traction Drive
11	53715	Pulley, Auger Drive
12	3887	Belt, Auger Drive
13	50677	Flatwasher, 375x1 25x .104
14	71063	Lockwasher, Split, 38ID
15	71015	Screw, HHC, 3/8-24x1 In

318788-319042 B

CRAFTSMAN 26" SNOW THROWER 536.886811

DRIVE COMPONENTS REPAIR PARTS



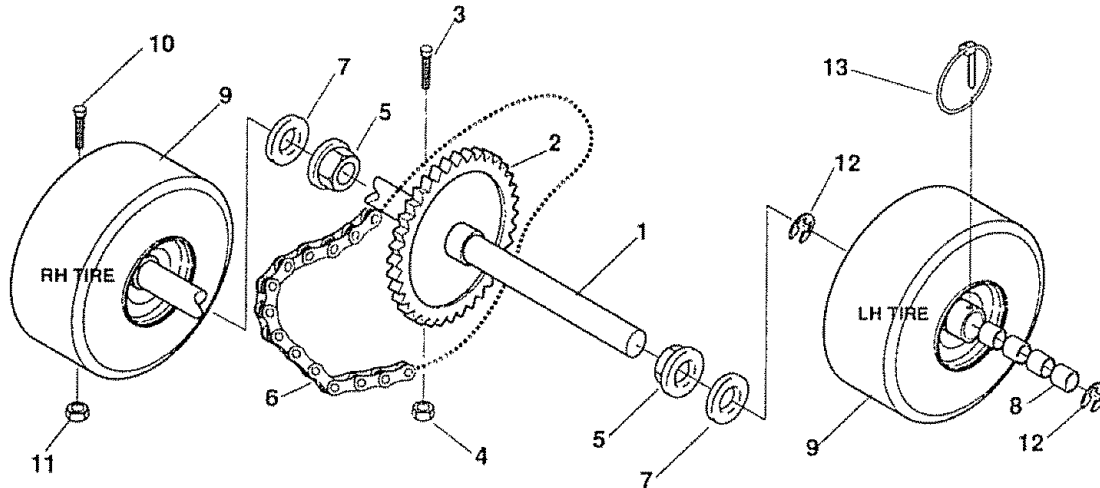
REF. NO.	PART NO.	PART NAME
1	579941	Lever Assembly, Traction Clutch
2	53703	Bearing, Flange
3	71079	Pin, Cotter
4	53818	Spring, Return
5	579937	Lever, Spring Traction Clutch
6	11871	Screw, HHC, 1/4-20x5/8 In
7	71059	Lockwasher, Split, 26x.50x.06
8	71034	* Nut, Hex, 1/4-20 Thd
9	583164	Disc, Friction Wheel, 7"
10	583155	Shaft, Hex Traction
11	85501	Bearing Assembly, Trunion
12	73812	Flatwasher, 50x1.00x.06
13	73811	Ring, Retainer
14	580969	Flatwasher, 680x1.12x.06
15	49562	Bearing, Ball

REF. NO.	PART NO.	PART NAME
16	580970	Key, Square
17	580961	Pulley, Traction Drive
18	580965	Wave Washer
19	578962	Flatwasher, 281x1.00x.063
20	579052	* Screw, HHC, 1/4-20x.63
21	1413	Bearing & Retainer Assembly
22	70982	Screw, WaTap, 5/16-18x1/2 In
23	71060	Lockwasher, Split, 31x.58x.08
24	579858	Washer, Special
25	579897	Shaft Hex & Sprocket Assembly
26	581773	Hub, Friction Wheel
27	53830	Wheel, Friction Disc
28	579893	Sprocket, 8 Tooth, Assembly
29	579867	Chain, Roller #42
30	583206	Zerk, Grease Fitting

* Indicates Standard Hardware Items

CRAFTSMAN 26" SNOW THROWER 536.886811

WHEEL ASSEMBLY REPAIR PARTS



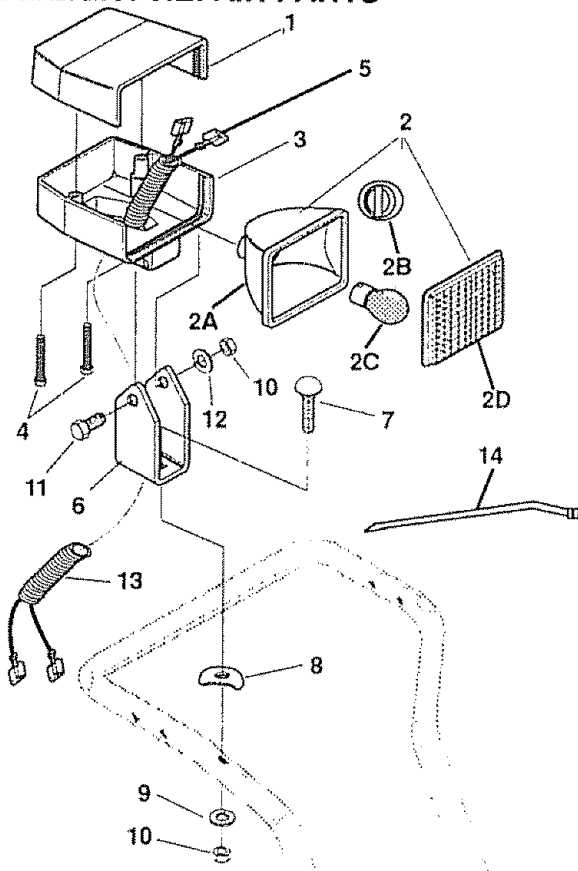
REF. NO.	PART NO.	PART NAME
1	580883	Shaft, Axle Wheel
2	583012	Sprocket & Hub Assembly
3	73839	Screw, HHC, 1/4-20x2-1/4 In
4	71035	Nut, HexNyl, 1/4-20 Thd
5	53836	Bearing, Flange, Axle
6	579867	Chain, Roller #42

REF. NO.	PART NO.	PART NAME
7	73840	Flatwasher, .765x1.12x.06
8	578572	Flanged Bearing
9	318503	Tire & Rim 13x5.0x6
10	7285	Screw, 1/4-20x1-1/2 In
11	73826	* Locknut, Hex, 1/4-20 Thd
12	239	Ring, Retaining
13	73842	Pin, Klick

*INDICATES STANDARD HARDWARE ITEMS

318780-318542 C

HEADLIGHT REPAIR PARTS



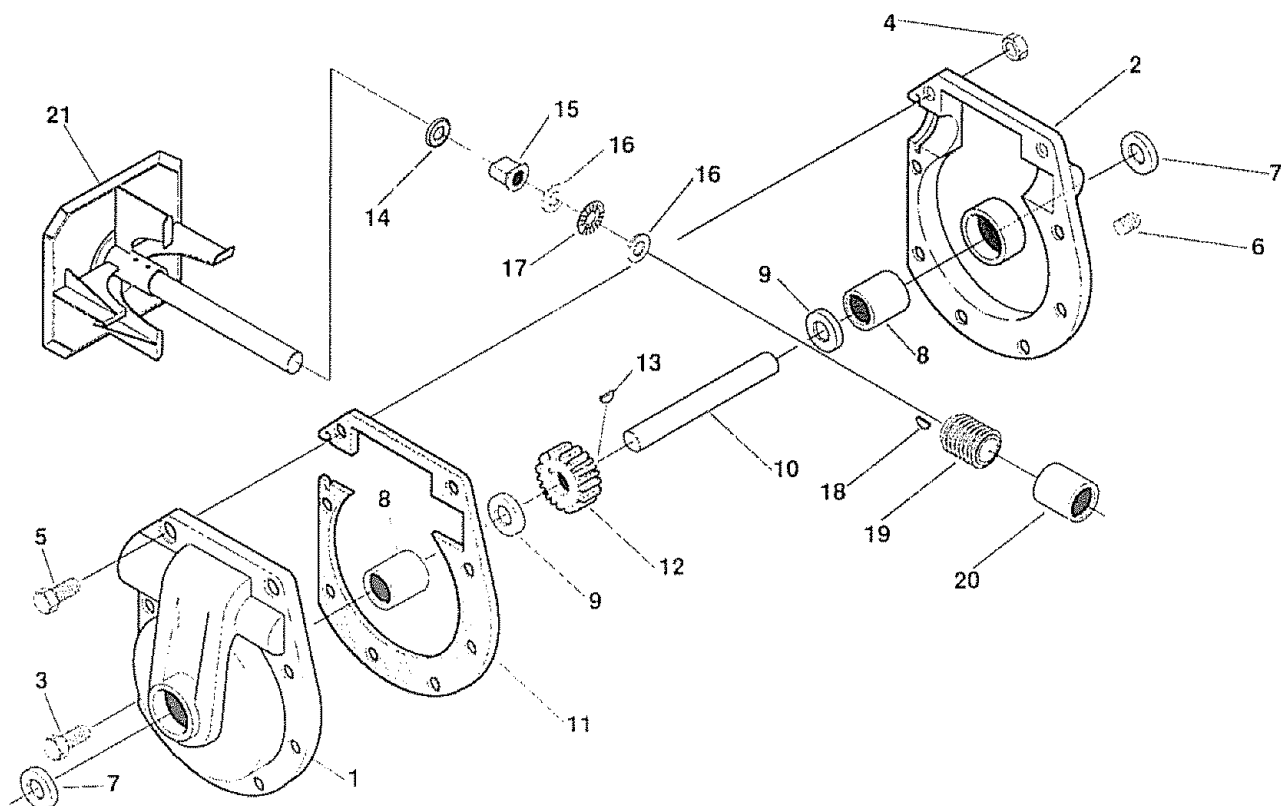
REF. NO.	PART NO.	PART NAME
1	307395	Housing, Upper Headlight
2	581575	Headlight Assembly
2A	309792	Metalized Back
2B	309793	Headlight Socket
2C	581576	Headlight Bulb
2D	309789	Headlight Lens
3	580530	Housing, Lower Headlight
4	583405	Screw, 10-9x1.75 PHPN Plastic
5	307767	Wiring Harness, Assembly
6	4029-830	Bracket, Light Extended
7	4160	Bolt, Carriage, 5/16-18x1-3/4 In.
8	580527	Washer, Saddle 5/16
9	71061	* Lockwasher, 32x 60x .04
10	71037	Nut, Hex 5/16-18 Thd
11	235	Screw, HHC, 5/16-18 x 2 In.
12	71060	* Lockwasher, Split, 31x 58x .08
13	6636	Conduit, Plastic
14	57444	Cable Tie

* Indicates Standard Hardware Items

319134-319374 A

CRAFTSMAN 26" SNOW THROWER 536.886811

GEAR BOX REPAIR PARTS

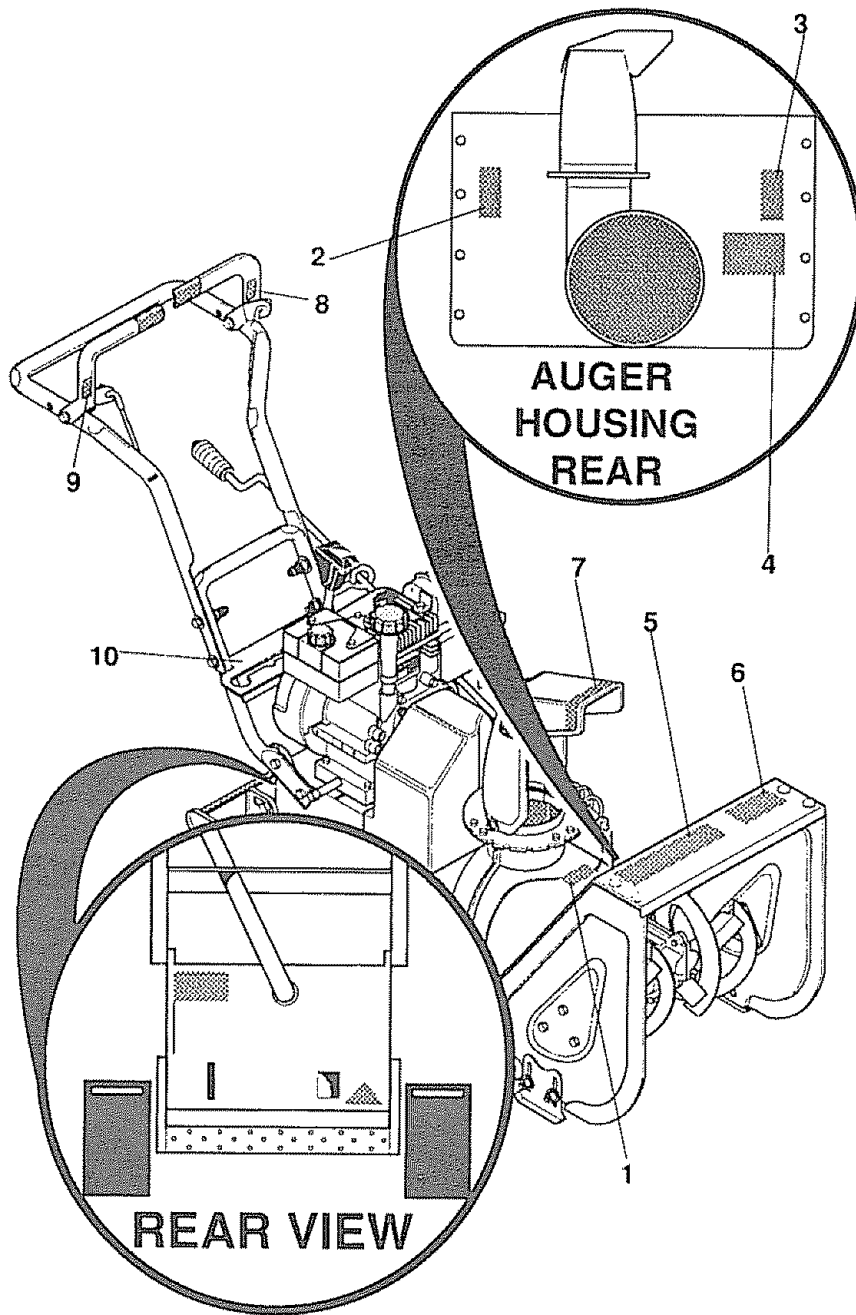


REF. NO.	PART NO.	PART NAME
1	896	Case, Gear Box R H
2	895	Case, Gear Box L H
3	71393	Screw, HHC, 5/16-24x1 In
4	71100	Locknut, Wd Fl. 5/16-24 Thd
5	912	Screw, HHC, 5/16-24x1-1/2 In
6	53749	Plug, Pipe, 1/4-18 Thd
7	1065	Seal, Oil
8	53743	Bearing, Sleeve
9	53748	Flatwasher, 1 00x1 54x 09
10	301561	Shaft, Auger, 26 In
11	897	Gasket, Gear Box
12	53730	Gear, Worm, 22 Tooth

REF. NO.	PART NO.	PART NAME
13	73905	Key, Woodruff #91
14	53737	Ring, Quad
15	583126	Bearing, Flange
16	48275	Flatwasher, 752x1 24x 093
17	50684	Bearing, Roller, 7/8 In
18	50795	Key, Hi-Pro 606
19	53732	Gear, Worm, 1-3/4 In.
20	53731	Bearing, Sleeve
21	583214-830	Impeller & Shaft Assembly

CRAFTSMAN 26" SNOW THROWER 536.886811

DECALS



REF. NO.	PART NO.	PART NAME
1	7376	Decal, 12" Impeller
2	70141	Decal, Danger Auger (LH)
3	70142	Decal, Danger Chute (RH)
4	302922	Decal, Danger Instruction
5	308766	Decal, Craftsman
6	308792	Decal, 8/26 Auger Housing
7	308768	Decal, Danger Stripe Chute
8	3902	Decal, Traction Drive Engage
9	3903	Decal, Auger Drive Engage
10	319033	Decal, Gear Selector

318796-314005 B

CARBURETOR NO. 632334A

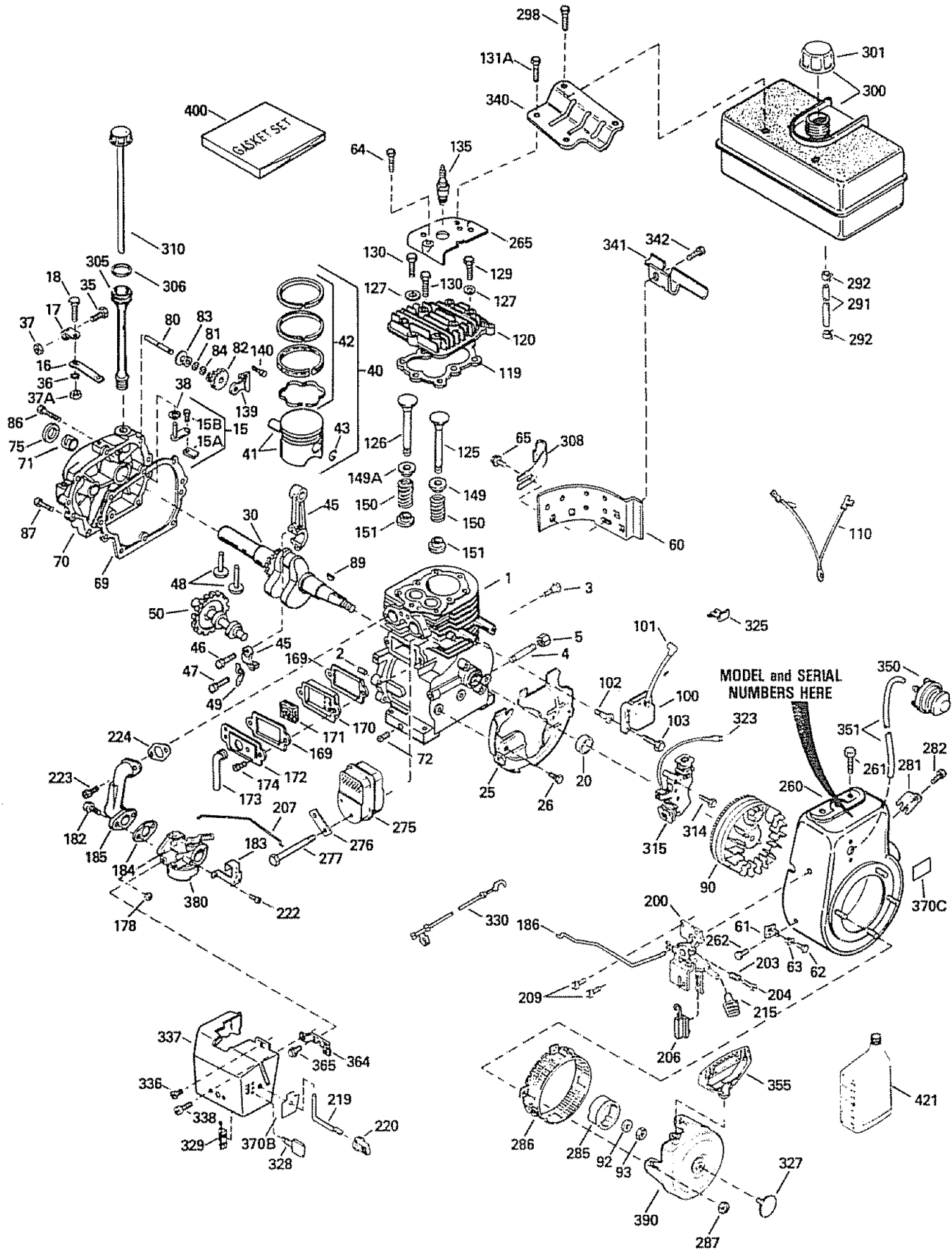
Ref. No.	Part No.	Part Name
1	631776A	Throttle Shaft & Lever Assy
2	631970	Throttle Return Spring
6	631778	Throttle Shutter
7	650506	Throttle & Choke shutter screw
10	632112	Choke Shaft & Lever Assy.
14	632174	Choke Shutter
15	630735	Choke Positioning spring
16	632164	Fuel Fitting
17	650417	Idle Speed screw
18	630766	Tension Spring
20	*632281	Idle Mixture screw
21	630766	Idle Tension spring
22	630739	Washer, Idle screw
23	*630740	O Ring, Idle screw
25	631951	Float Bowl Assy (Incl Nos 32 & 33)
27	*631024	Shaft, Float
28	632019	Float
29	*631028	O Ring, Float Bowl to Body
30	*631021	Inlet Needle, Seat & Clip (Incl No. 31)
31	631022	Spring Clip
32	27136A	Bowl Drain Assy.
33	27554	Drain Plunger Gasket
40	*632239	Main Adj Screw Assy (Incl Nos. 41 thru 44)
41	*630740	O Ring, High Speed Mixture Screw
42	630739	Washer, High Speed Mixture Screw
43	630738	Tension Spring, High Speed Mixture Screw
44	*27110	Bowl Nut washer
47	*630748	Welch Plug, Idle Mixture Well
48	*631027	Welch Plug, Atmospheric Vent
60	632347	Repair Kit (Incl Parts Marked with *)

REWIND STARTER NO. 590672

Ref. No.	Part No.	Part Name
	590672	Starter, Rewind
1	590599A	Pin, Spring (Incl. No. 4)
2	590600	Washer
3	590679	Retainer
4	590601	Washer
5	590678	Spring, Brake
6	590680	Dog, Starter
7	590412	Spring, Dog
8	590682	Pulley & Rewind Spring Assy.
11	590684	Housing Assy., Starter
12	590456	Rope, Starter (Length 114" & 11/64" dia.)
13	590574	Handle, Mitten Grip (Not included with starter)



CRAFTSMAN 4-CYCLE ENGINE MODEL NUMBER: 143.836012



CRAFTSMAN 4-CYCLE ENGINE MODEL NUMBER: 143.836012

Ref. No.	Part No.	Part Name	Ref. No.	Part No.	Part Name
1	35385	Cylinder (Incl. Nos. 2, 20 & 72)	93	650881	Nut, Flywheel
2	27652	Pin, Dowel	100	35135	Solid State Assy.
3	650820	Screw, Hex hd. shoulder, 1/4-20 x 1/2	101	610118	Cover, Spark plug
4	30968	Nipple, Oil drain	102	650872	Stud, Solid state mounting
5	30969	Cap, Oil drain	103	650814	Screw, T-15 Torx Hex washer hd. Sems, 10-24 x 1
15	30699C	Rod Assy., Governor (Incl. Nos. 15A & 15B)	110	35253	Wire, Ground
15A	30700	Yoke, Governor	119	*34041A	Gasket, Cylinder head
15B	650494	Screw, Fil. hd. Sems, 6-40 x 5/16	120	34030A	Head, Cylinder
16	33454	Lever, Governor	125	27878A	Valve, Exhaust (Incl. No. 151) (Std.)
17	29916	Clamp, Governor lever	125	27880A	Valve, Exhaust (Incl. No. 151) (1/32" oversize)
18	650548	Screw, Hex washer hd., 8-32 x 5/16	126	34035	Valve, Intake (Incl. No. 151) (Std.)
20	35319	Seal, Oil	126	34036	Valve, Intake (Incl. No. 151) (1/32" oversize)
25	35326	Baffle, Blower housing	127	650691	Washer, Flat
26	650561	Screw, Hex washer hd. Durlok, 1/4-20 x 5/8	129	650727	Screw, Special hex hd. tapped, 5/16-18 x 1-3/4
30	36245	Crankshaft	130	6021A	Screw, Hex flange hd. 5/16-18 x 1-1/2
35	29826	Screw, Hex washer hd., 10-32 x 3/4	131A	650713	Screw, Hex hd., 5/16-18 x 5/8
36	29918	Washer, E.T. Lock No. 8	135	35395	Spark plug (Champion J-8C or equivalent)
37	29216	Nut & Lockwasher, 10-32 "Keps"	139	33369	Bracket, Governor gear
37A	30322	Locknut, Hex "Keps", 8-32	140	650836	Screw, Hex washer hd. thread forming, 10-24 x 1/2
38	29642	Ring, Retaining	149	27882	Cap, Upper valve spring
40	34552	Piston, Pin & Ring Assy. (Incl. Nos. 41, 42 & 43) (Std.)	149A	35862	Seal Assy., Intake valve
40	34553	Piston, Pin & Ring Assy. (Incl. Nos. 41, 42 & 43) (.010 oversize)	150	27881	Spring, Valve
40	34554	Piston, Pin & Ring Assy. (Incl. Nos. 41, 42 & 43) (.020 oversize)	151	32581	Cap, Lower valve spring
41	34329A	Piston & Pin Assy (Incl. No. 43) (Std.)	169	*27896A	Gasket, Breather
41	34330A	Piston & Pin Assy. (Incl. No. 43) (.010 oversize)	170	28423	Body, Breather
41	34331A	Piston & Pin Assy. (Incl. No. 43) (.020 oversize)	171	28424	Element, Breather
42	34332	Ring Set, Piston (Std.)	172	28425	Cover, Breather
42	34333	Ring Set, Piston (.010 oversize)	173	35350	Tube, Breather
42	34334	Ring Set, Piston (.020 oversize)	174	650128	Screw, Hex hd. Sems, 10-24 x 1/2
43	27888	Ring, Piston pin retaining	178	29752	Nut & Lockwasher, 1/4-28
45	35373A	Rod Assy., Connecting (Incl. Nos. 46, 47 & 49)	182	30088A	Screw, Fil. hd. Sems, 1/4-28 x 1
46	650908	Bolt, Connecting rod	183	34587	Bracket, Choke
47	650882	Bolt, Connecting rod	184	*33263	Gasket, Carburetor
48	34034	Lifter, Valve	185	33877	Pipe, Intake
49	35374	Dipper, Oil	186	34667	Link, Governor
50	35375	Camshaft (Mechanical Compression Release)	200	34677	Bracket Assy., Control (Incl. Nos. 203, 204 & 206)
60	33273A	Extension, Blower housing	203	31342	Spring, Compression
61	34126	Bracket, Grommet mounting	204	650549	Screw, Fil. hd., 5-40 x 7/16
62	650760	Screw, Pan hd. taptite, 8-32 x 3/8	206	610973	Terminal Assy.
63	28545	Grommet, Plastic	207	33878	Link, Governor-to-throttle
64	650802	Screw, Hex washer hd. taptite, 1/4-20 x 5/8	209	650821	Screw, Hex washer hd. thread cutting, 10-32 x 1/2
65	650128	Screw, Hex hd. Sems, 10-24 x 1/2	215	35440	Knob, Control
69	*35262	Gasket, Cylinder cover	219	34586	Rod, Choke
70	35376	Cover Assy., Cylinder (Incl. Nos. 71, 75 & 80)	220	35438	Knob, Choke
71	35377	Bushing, Cylinder cover	222	28820	Screw, Fil. hd. Sems, 10-32 x 1/2
72	27642	Plug, Pipe	223	650378	Screw, T-30 Torx Fil. hd. Sems, 5/16-18 x 1-1/8
75	35319	Seal, Oil	224	*27915A	Gasket, Intake pipe
80	31845	Shaft, Governor	260	35447A	Housing, Blower
81	30590A	Washer, Flat	261	650788	Screw, Hex hd. spinlock thread forming, 5/16-18 x 3/4
82	35378	Gear, Governor (Incl. No. 81)			
83	30588A	Spool, Governor			
84	29193	Ring, Retaining			
86	650833	Screw, Hex washer hd. Powerlok, 1/4-20 x 1-3/16			
87	650832	Screw, Hex washer hd. Powerlok, 1/4-20 x 1-11/16			
89	32589	Key, Flywheel			
90	611093	Flywheel (w/ring gear)			
92	650880	Washer, Lock			

*Indicates Parts Included in Gasket Set, Ref. No. 400.



CRAFTSMAN 4-CYCLE ENGINE MODEL NUMBER: 143.836012

Ref. No.	Part No.	Part Name	Ref. No.	Part No.	Part Name
262	29747B	Screw, Hex hd Sems. 5/16-24 x 21/32	336	650765	Screw, Hex washer hd. self-drilling, 10-32 x 1/2
265	33272B	Cover, Cylinder head	337	35057A	Cover, Carburetor
275	35056	Muffler	338	28942	Screw, Hex washer hd. Sems, 10-32 x 3/8
276	31588	Plate, Lock	340	34155	Bracket, Fuel tank
277	792093	Screw, Flanged hex hd., 5/16-18 x 4-3/16	341	34154	Plate, Fuel tank mounting
281	33013	Cover, Starter hole	342	650561	Screw, Hex washer hd. Durlok, 1/4-20 x 5/8
282	650760	Screw, Pan hd. taptite, 8-32 x 3/8	350	570682	Primer Assy.
285	35985	Hub, Starter	351	32180C	Line, Primer
286	35446	Screen, Starter	355	590574	Starter Handle, Mitten grip
287	29752	Nut & Lockwasher, 1/4-28	364	33377	Bracket, Carburetor cover mounting
291	30705	Line, Fuel	365	650767	Screw, Hex washer hd. Sems, taptite, 8-32 x 27/64
292	26460	Clamp, Fuel line	370B	34589	Decal, Choke
298	650665	Screw, Hex washer hd thread cutting, 1/4-15 x 7/8	370C	34144	Decal, Primer
300	34156A	Tank, Fuel (Incl. Nos. 292 & 301)	380	632334A	Carburetor (Incl No 184)
301	35355	Cap, Fuel tank	390	590672	Starter, Rewind
305	35554	Tube, Oil fill	396		Electric Starter Kit No. 143 88924 (optional) order as accessory.
306	35499	"O" Ring	400	33279G	Gasket Set (Incl. items marked *)
308	35540	Clip, Fill tube	421	730226	SAE 5W30, 4-cycle oil (quart)
310	36205	Dipstick, Oil			RPM Settings:
314	650873	Screw, Hex hd Sems, 1/4-20 x 3/4			High Speed:
315	611111	Coil Assy., Alternator (18 Watt)			Low Speed:
323	611118	Terminal, Female			
325	29443	Clip, Wire			
327	35392	Plug, Starter			
328	35593	Ignition, Key			
329	610973	Terminal Assy.			
330	35305	Wire, Ground			

*Indicates Parts Included in Gasket Set. Ref No 400



NOTES

NOTES

NOTES

SEARS

OWNER'S MANUAL

**MODEL NO.
536.886811**

HOW TO ORDER REPAIR PARTS

CRAFTSMAN®

8 HORSEPOWER 26" DUAL STAGE SNOW THROWER

Optional electric start

Each SNOW THROWER has its own MODEL NUMBER found on the engine mount frame.

Each ENGINE has its own MODEL NUMBER found on the BLOWER HOUSING.

Always mention these MODEL NUMBERS when requesting service or Repair Parts for your SNOW THROWER.

All parts may be ordered through Sears, Roebuck and Company Service Centers and most Retail Stores.

**WHEN ORDERING REPAIR PARTS, ALWAYS
GIVE THE FOLLOWING INFORMATION:**

- * PRODUCT - "SNOW THROWER"
- * MODEL NUMBER - 536.886811
- * ENGINE MODEL NUMBER - 143.836012
- * PART NUMBER
- * PART DESCRIPTION

"Your Sears merchandise has added value when you consider that Sears has service units nationwide staffed with Sears trained technicians... Professional technicians specifically trained on Sears products, having the parts, tools and equipment to ensure that we meet our pledge to you... we service what we sell."

SEARS, ROEBUCK AND CO., Hoffman Estates, IL 60179

325954 08/15/92

Printed in U.S.A.