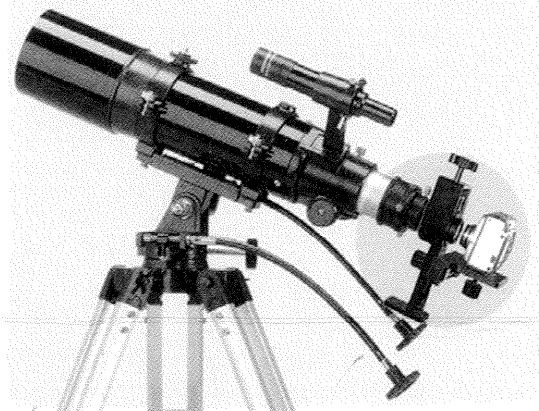




# CELESTRON®

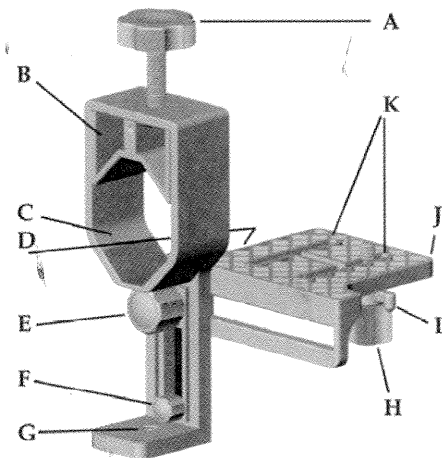
## 2" Universal Digital Camera Adapter - # 93626



### Specifications:

Suitable scope	: 30-60 / 1,2-2,4" (mm/in)
eyepiece size	in diameter
Platform load	: max. 2.0/4.5 (kg/lbs)
Materials	: ABS, alloy of aluminum
Height	: 168 / 6,6 (mm/in)
Weight	: 350/12.4 (g/oz)

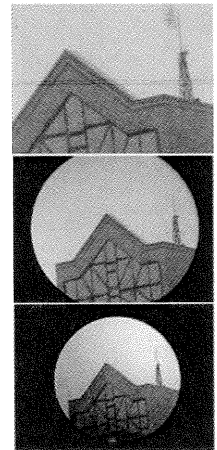
### Parts Name:



- A Clamp adjusting knob
- B Adjustable clamp plate
- C Scope holding clamp
- D Horizontal fine-tuning knob
- E Platform fixing knob
- F Vertical fine-tuning knob
- G Tripod socket (1/4 x 20 threads)
- H Camera mounting screw (1/4 x 20 threads)
- I Camera fixing screw
- J Camera platform
- K Platform grooves

### How to use:

1. Elevate Adjustable clamp plate (B) by rotating Clamp adjusting knob (A) counter clockwise to extend Scope holding clamp (C) to fit scope eyepiece.
2. Slide scope eyepiece into Scope holding clamp (C) and tighten Adjusting knob (A) to firmly hold the scope in clamp.
3. Mount your digital camera on Camera platform (J) with the same camera's tripod socket aligned with Camera mounting screw (H). Rotate mounting screw (H) and Camera fixing screw (I) counter clockwise to tightly hold the camera.
4. Turn Platform fixing knob (E) counter clockwise to release Fine-tuning mechanism (D&F). Align camera lens with scope eyepiece by rotating Horizontal fine-tuning knob (D) and Vertical fine-tuning knob (F) either clockwise or counter clockwise. Then, turn Platform fixing knob (E) clockwise to lock Platform and Fine tuning mechanism.
5. Turn camera on and watch camera's LCD monitor. Adjust camera position by loosening Camera fixing screw (I) and moving the camera within Platform groove (K). Hold camera position when LCD monitor displays a full image, as shown in **Fig. A**. Now, you are ready to shoot.
6. When vignetting occurs-image has a shaded ring around it, as shown in **Fig. B** or **Fig. C**, following steps are suggested.
  - 6-1 When vignetting occurs as **Fig. B** shows, adjust camera aperture and zoom setting to get a full image.
  - 6-2 When vignetting occurs as **Fig. C** shows, repeat Steps 5 and 6-1 to find the appropriate camera position.



### Note:

1. Focus with your scope during mounting and operating procedures as needed.
2. Vignetting may not be corrected in some combinations of digital cameras and scopes.
3. Camera's tripod socket position may differ depending on manufacturers and types of digital cameras. Choose a Platform groove (K) in the Platform (J) to suit your camera.
4. A tripod is suggested to be used with the adapter. Attach the heavier side – either the scope or the adapter with camera on it – to the tripod.