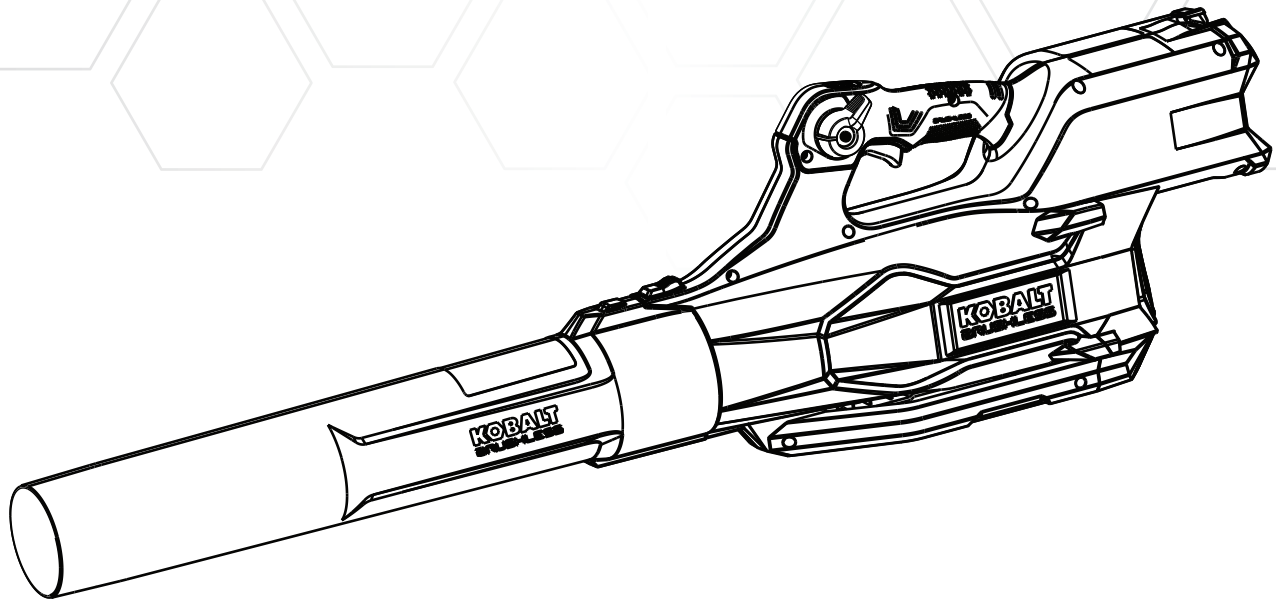


# KOBALT™



ITEM # 01083767

## 80V BRUSHLESS BLOWER

MODEL # KHB 2580-06

**Español p. 15**

---

**ATTACH YOUR RECEIPT HERE**

**Serial Number** \_\_\_\_\_ **Purchase Date** \_\_\_\_\_

---



**Questions, problems, missing parts?** Before returning to your retailer, call our customer service department at **1-888-3KOBALT** (1-888-356-2258), 8 a.m. - 8 p.m., EST, Monday - Friday.

PH1890

## TABLE OF CONTENTS

---

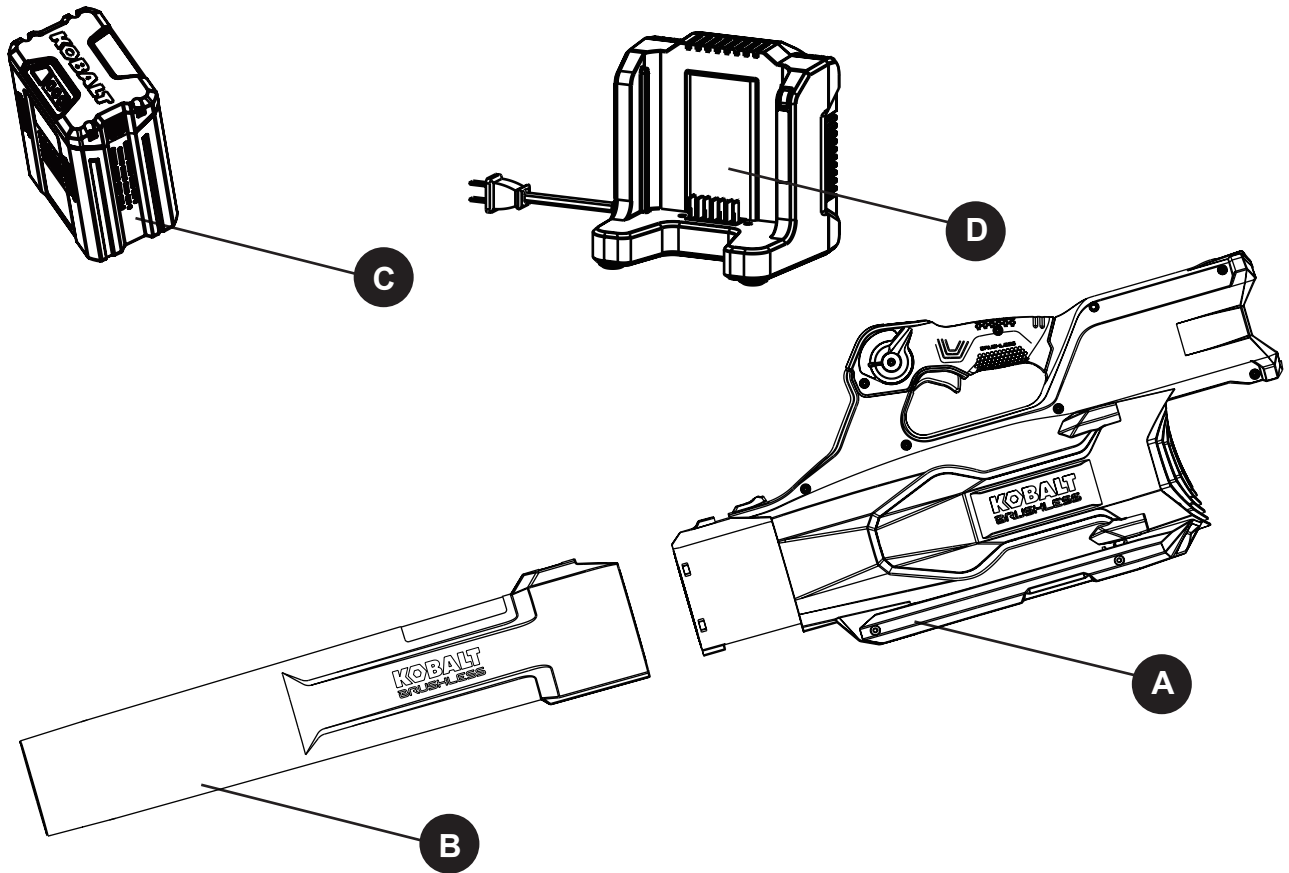
Product Specifications.....	2
Package Contents.....	3
Symbols.....	4
Safety Information .....	5
Preparation.....	8
Assembly Instructions .....	8
Operating Instructions .....	9
Care and Maintenance.....	11
Troubleshooting.....	11
Warranty.....	12
Replacement Parts List.....	13

## PRODUCT SPECIFICATIONS

---

SPECIFICATIONS	
Type	Cordless, battery-operated
Motor	80 V Brushless
Air Volume	630 CFM
Air Speed	140 MPH
Charging Time	40 minutes
Weight (without battery)	5.84 lbs. (2.65 kg)











# PACKAGE CONTENTS



PART	DESCRIPTION	QUANTITY
A	Blower	1
B	Blower Tube	1
C	Battery	1
D	Charger	1

## SYMBOLS




Some of the following symbols may be used on this product. Please study them and learn their meaning. Proper interpretation of these symbols will allow you to operate the product better and safer.

SYMBOLS	NAME	DESIGNATION/EXPLANATION
V	Volts	Voltage
A	Amperes	Current
Hz	Hertz	Frequency (cycles per second)
W	Watts	Power
min	Minutes	Time
~	Alternating Current	Type of current
==	Direct Current	Type or a characteristic of current
	Class II Construction	Double-insulated construction.
/min	Per Minute	Revolutions, strokes, surface speed, orbits etc., per minute
	Wet Conditions Alert	Do not expose to rain or use in damp locations
	Read The Operator's Manual	To reduce the risk of injury user must read and understand operator's manual before using this product.
	Eye Protection	Always wear eye protection with side shields marked to comply with ANSI Z87.1 when operating this equipment.
	Safety Alert	Precautions that involve your safety.
	Long Hair	Failure to keep long hair away from the air inlet could result in personal injury.
	Loose Clothing	Failure to keep loose clothing from being drawn into air intake could result in personal injury.
	Keep Bystanders Away	Keep all bystanders at least 50 ft. away.
	Blower Tubes	Do not operate without tubes in place.
	Impeller Blades	Rotating impeller blades can cause severe injury.


## SYMBOLS

---

The following signal words and meanings are intended to explain the levels of risk associated with this product.

SYMBOL	SIGNAL	MEANING
	DANGER	Indicates an imminently hazardous situation, which, if not avoided, will result in death or serious injury.
	WARNING	Indicates a potentially hazardous situation, which, if not avoided, could result in death or serious injury.
	CAUTION	Indicates a potentially hazardous situation, which, if not avoided, may result in minor or moderate injury.
	CAUTION	(Without Safety Alert Symbol) Indicates a situation that may result in property damage.

### WARNING

- To avoid serious personal injury, do not attempt to use this product until you have read this Owner's Manual thoroughly and understand it completely. If you do not understand the warnings and instructions in this Owner's Manual, do not use this product.  
Call **1-888-3KOBALT** (1-888-356- 2258) for assistance.
-  The operation of any power tool can result in foreign objects being thrown into your eyes, which can result in severe eye damage. Before operating a power tool, always wear safety goggles, safety glasses with side shields, or a full face shield when needed. A Wide Vision Safety Mask is recommended for use over eyeglasses or standard safety glasses with side shields. Always use eye protection that is marked to comply with ANSI Z87.1.

### IMPORTANT SAFETY INSTRUCTIONS

---

#### WARNING

Read and understand all instructions before using this product. Failure to follow all instructions listed below may result in electric shock, fire, and/or serious personal injury.

#### BEFORE USING

- Use extra care when cleaning on stairs.
- Do not use on wet surfaces.
- Do not allow to be used as a toy. Close attention is necessary when used by or near children.
- Use only as described in this manual. Use only manufacturer's recommended attachments.
- Keep hair, loose clothing, fingers and all body parts away from openings and moving parts.
- Do not use with a damaged plug. If the tool is not working as it should, or if it has been dropped, damaged, left outdoors, or dropped into water, return it to an authorized service center.
- When using in direct sunshine, keep out of water.
- Don't expose to rain when operating the machine.
- Store indoors. Do not expose to rain or water. Avoid direct sunshine.
- Do not leave appliance when battery in. Remove the battery when not in use and before servicing.
- Turn off all controls before removing the battery.



## SAFETY INFORMATION

---

### WHEN USING THIS BLOWER

- Do not operate power tools in an explosive atmosphere, such as in the presence of flammable liquids, gases, or dust. Power tools create sparks that may ignite the dust or fumes.
- To reduce the risk of electric shock, the battery charger has a polarized plug (one blade is wider than the other) and will require the use of a polarized extension cord. The plug will only fit into a polarized extension cord one way. If the plug does not fit fully into the extension cord, reverse the plug. If the plug still does not fit, obtain a correct polarized extension cord. A polarized extension cord will require the use of a polarized wall outlet. This plug will only fit into the polarized wall outlet one way. If the plug does not fit fully into the wall outlet, reverse the plug. If the plug still does not fit, contact a qualified electrician to install the proper wall outlet. Do not change the equipment plug, extension cord receptacle, or extension cord plug in any way.
- Never allow children to operate the equipment. Never allow adults to operate the equipment without proper instruction.
- Wear eye protection that is marked to comply with ANSI Z87.1 when operating this product.
- Do not handle charger, including charger plug, and charger terminals with wet hands.
- Do not charge the unit outdoors.
- Wear heavy long pants, boots, and gloves. Avoid loose garments or jewelry that could get caught in moving parts of the machine or its motor.
- Do not force the tool. Use the correct tool for your application. The correct tool will work more efficiently and safely when it is used at the rate that it was designed to work at.
- Do not operate the equipment while barefoot or when wearing sandals or similar lightweight footwear.
- Wear protective footwear that will protect your feet and improve your footing on slippery surfaces.
- Secure long hair so it is above shoulder level to prevent entanglement in any moving parts.
- Keep firm footing and balance. Do not overreach. Overreaching can result in loss of balance.
- Do not allow children or untrained individuals to use this unit.
- Do not use the tool if the switch does not turn it on or off. Any tool that cannot be controlled with the switch is dangerous, and must be repaired.
- Keep all bystanders, children, and pets at least 50 ft. (15 m) away.
- For household use only.
- Use only Kobalt 80-volt batteries. (KB 280-06, KB 2580-06, KB 380-06)
- Use only Kobalt 80-volt charger. (KRC 80-06, KRC 30-06)
- Do not operate this unit when you are tired, ill, or under the influence of alcohol, drugs, or medication.
- Do not operate in poor lighting.
- Keep all parts of your body away from any moving parts and all hot surfaces of the unit.
- Do not put any object into openings. Do not use with any opening blocked. Keep openings free of dust, lint, hair, and anything that may reduce air flow.
- Check the work area before each use. Remove all objects that can be thrown or become entangled in the machine, such as rocks, broken glass, nails, wire, or string.
- Use only identical manufacturer's replacement parts and accessories. Use of any other parts may create a hazard or cause product damage.



## **SAFETY INFORMATION**

---

### **FOR BATTERY-OPERATED EQUIPMENT:**

- Prevent unintentional starting. Ensure the switch is in the off-position before connecting to battery pack, picking up or carrying the equipment. Carrying the equipment with your finger on the switch or energizing equipment that have the switch on invites accidents.
- Disconnect the battery pack from the equipment before making any adjustments, changing accessories, or storing equipment. Such preventive safety measures reduce the risk of starting the equipment accidentally.
- Recharge only with the charger specified by the manufacturer. A charger that is suitable for one type of battery pack may create a risk of fire when used with another battery pack.
- Use equipment only with specifically designated battery packs. Use of any other battery packs may create a risk of injury and fire.
- When battery pack is not in use, keep it away from other metal objects like paper clips, coins, keys, nails, screws or other small metal objects that can make a connection from one terminal to another.
- Shorting the battery terminals together may cause burns or a fire.
- Under abusive conditions, liquid may be ejected from the battery; avoid contact. If contact accidentally occurs, flush with water. If liquid contacts eyes, additionally seek medical help. Liquid ejected from the battery may cause irritation or burns.
- Do not use a battery pack or equipment that is damaged or modified. Damaged or modified batteries may exhibit unpredictable behavior resulting in fire, explosion or risk of injury.
- Do not expose a battery pack or equipment to fire or excessive temperature. Exposure to fire or temperature above 265°F (130°C) may cause an explosion.
- Have servicing performed by a qualified repair person using only identical replacement parts. This will ensure that the safety of the product is maintained.
- Follow all charging instructions and do not charge the battery pack or appliance outside of the temperature range specified in the instructions. Charging improperly or at temperatures outside of the specified range may damage the battery and increase the risk of fire.
- Do not modify or attempt to repair the appliance or the battery pack except as indicated in the instructions for use and care.



## SAFETY INFORMATION

---

### CHILD SAFETY

Tragic accidents can occur if the operator is not aware of the presence of children.

- Keep children out of the working area and under the watchful care of a responsible adult.
- Do not allow children under the age of 14 to operate this blower. Children who are 14 years of age and older must read and understand the operating instructions and safety rules in this manual and must be trained and supervised by a parent.
- Stay alert and turn the blower off if a child or any other person enters the working area.
- Use extreme care when approaching blind corners, doorways, shrubs, trees, or other objects that may obscure your view of a child who may run into the path of the blower.



### WARNING (PROPOSITION 65)

Some dust created by power sanding, sawing, grinding, drilling, and other construction activities contains chemicals known to cause cancer, birth defects or other reproductive harm. Some examples of these chemicals are:

- Lead from lead-based paints
- Crystalline silica from bricks and cement and other masonry products, and
- Arsenic and chromium from chemically treated lumber.

Your risk of exposure to these chemicals varies depending on how often you do this type of work. To reduce your exposure to these chemicals, work in a well-ventilated area, and work with approved safety equipment, such as dust masks that are specially designed to filter out microscopic particles.

### THE RECOMMENDED AMBIENT TEMPERATURE RANGE

Item	Temperature
Blower storage temperature range	-4°F (-20°C) - 158°F (70°C)
Blower operation temperature range	-4°F (-20°C) - 104°F (40°C)
Battery charging temperature range	39°F (4°C) - 104°F (40°C)
Charger operation temperature range	39°F (4°C) - 113°F (45°C)

### SAVE THESE INSTRUCTIONS

## PREPARATION

---

Before beginning assembly of product, make sure all parts are present. Compare parts with package contents list and hardware contents list. If any part is missing or damaged, do not attempt to assemble the product.

## ASSEMBLY INSTRUCTIONS

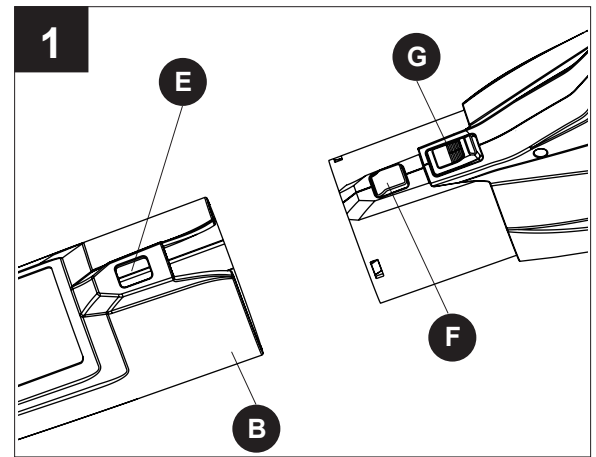
---

### **WARNING**

To prevent accidental starting that could cause serious personal injury, always remove the battery pack from the tool when assembling parts.

### ASSEMBLING THE BLOWER TUBE

- Slide the blower tube (B) over the slot (E) until the lock button (F) on the blower is inserted into the slot. Press the safety button (G) to remove the blower tube.



### **WARNING**

Follow these instructions in order to avoid injury and to reduce the risk of electric shock or fire:

- Replace the battery pack or the charger immediately if the battery case or charger cord is damaged.
- Verify that the switch is in the OFF position before inserting or removing the battery pack.
- Verify that the battery pack is removed and the switch is in the OFF position before inspecting, adjusting, or performing maintenance on any part of the blower.
- Read, understand, and follow the instructions contained in the charger manual.

### **IMPORTANT:**

The battery pack is not charged when it is purchased. Before using the blower for the first time, place the battery pack in the battery charger and charge.

## ASSEMBLY INSTRUCTIONS

### BATTERY

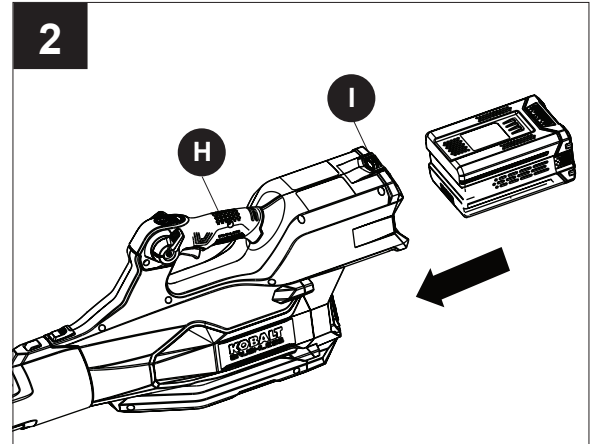
#### a. To install the battery:

- Align the battery with the cavity in the handle housing on the blower (A).
- Grasp the trigger handle (H) firmly.
- Insert the battery in the opening until the battery release button (I) locks into place. You should hear a “click” once it is installed.

#### b. To remove the battery:

- Press and hold the battery release button (I) with firm grip.
- Grasp the trigger handle firmly. Pull the battery pack out of the handle.

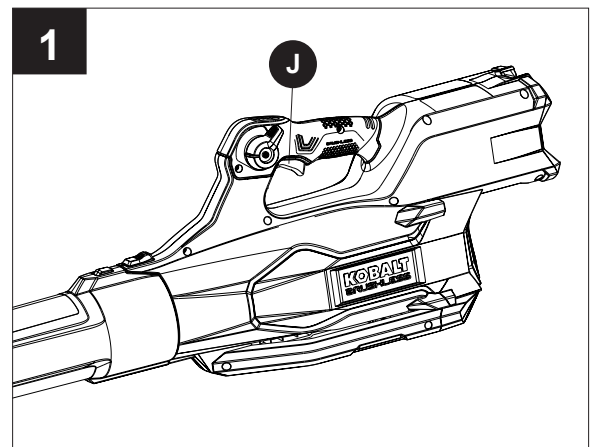
**Note:** The battery fits into the handle snugly in order to prevent accidental dislodging. It may require a strong pull to remove it.



## OPERATION INSTRUCTIONS

### 1. STARTING/STOPPING THE BLOWER

- Squeeze the trigger (J) to start the blower.
- To change speed, squeeze the trigger to increase the speed and release the trigger slightly to decrease the speed.
- Release the trigger completely to stop the blower.



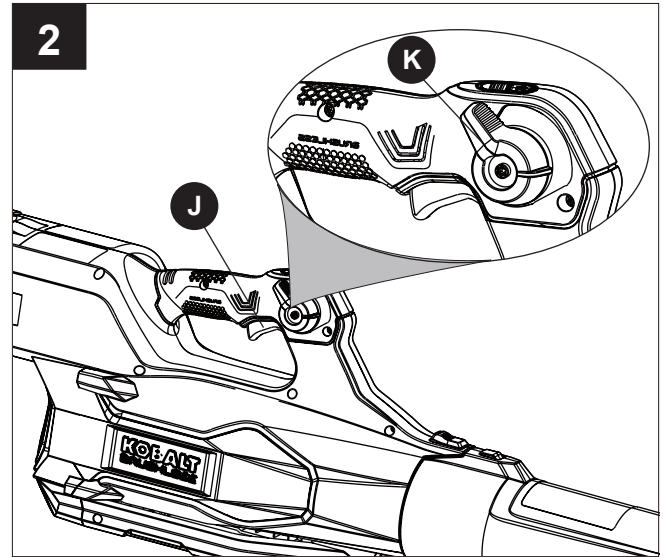
## OPERATING INSTRUCTIONS

### 2. USING THE CRUISE CONTROL LEVER

This blower is equipped with two cruise control levers, you can adjust the control lever (K) with either hand for comfort.

- Squeeze the trigger (J) to start the unit.
- Once the unit is on, pull back the cruise control lever (K) clockwise to increase the speed. This will lock the speed at the desired setting.
- To decrease the speed, push the cruise control lever (K) counterclockwise to decrease the speed to the desired setting.

**Note:** The trigger will be locked at different levels based on the position of cruise control lever.

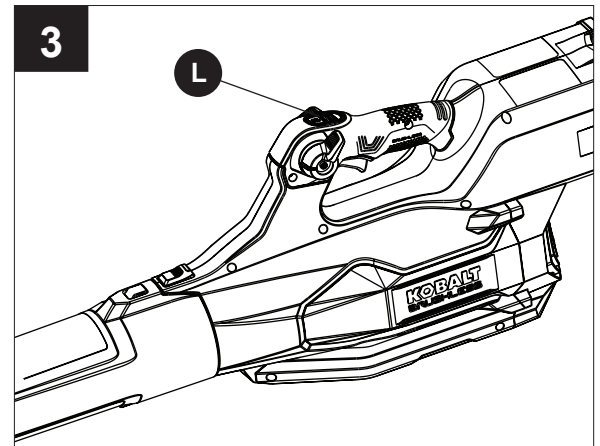


### 3. USING THE TURBO BUTTON

This blower is equipped with a turbo button (L).

- Squeeze the trigger (J) to start the unit.
- To boost speed, press the turbo button (L) so that the blower can be operated at the highest speed.
- Once the turbo button (L) is released, the blower will return to the previous speed.

**Note:** When operating the blower on turbo speed, the runtime will be reduced significantly.



### 4. OPERATING THE BLOWER

- To keep from scattering debris, blow around the outer edges of a debris pile. Never blow directly into the center of a pile.
- To reduce sound levels, limit the number of pieces of equipment used at any one time.
- Use rakes and brooms to loosen debris before blowing. In dusty conditions, slightly dampen surfaces when water is available.
- Conserve water by using power blowers instead of hoses for many lawn and garden applications, including areas such as gutters, screens, patios, grills, porches, and gardens.
- Watch out for children, pets, open windows, or freshly washed cars, and blow debris safely away.
- After using blowers or other equipment, clean up. Dispose of debris properly.

**Note:** Never cover air vents. Keep them free of obstructions and debris. They must always remain clear for proper motor cooling.

## CARE AND MAINTENANCE

### WARNING

In order to avoid personal injury and the risk of fire and electric shock, remove the battery pack before adjusting, inspecting, or cleaning the blower.

### CLEANING

- Remove the battery pack.
- Brush or blow dust and debris out of the air vents using compressed air or a vacuum. Keep the air vents free of obstructions, sawdust, and wood chips. Do not spray, wash, or immerse the air vents in water.
- Wipe off the housing and the plastic components using a moist, soft cloth. Do not use strong solvents or detergents on the plastic housing or plastic components. Certain household cleaners may cause damage, and may cause a shock hazard.

### TROUBLESHOOTING

PROBLEM	POSSIBLE CAUSE	CORRECTIVE ACTION
Unit will not blow.	1. Blocked tube.	1. Clear the blockage.
Motor fails to start when switch trigger is depressed.	1. Battery is not secure. 2. Battery is not charged.	1. Ensure the battery is fully secure in the battery compartment and the battery release button locks into place. (Reference Page 10 of the instruction manual). 2. Charge the battery pack according to the instructions included with your model.
Unit will not start.	1. Defective power switch.	1. Return to place of purchase or return the unit to a repair center or call customer service at <b>1-888-3KOBALT</b> (1-888-356-2258).

## WARRANTY

---

### 5-YEAR LIMITED WARRANTY

This 80 V Lithium-Ion blower is warranted to the original purchaser from the original purchase date for five (5) years subject to the warranty coverage described herein.

This 80 V Lithium-Ion blower is warranted for the original user to be free from defects in material and workmanship.

If you believe that the 80 V Lithium-Ion blower is defective at any time during the specified warranty period, simply return the 80 V Lithium-Ion blower along with proof of purchase to the place of purchase for a free replacement or refund, or call **1-888-3KOBALT** (1-888-356-2258) for warranty service.

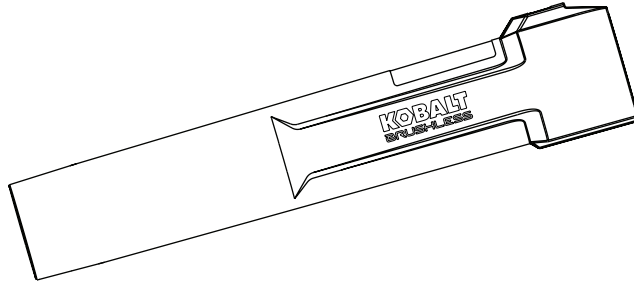
This warranty is void if: defects in materials or workmanship or damages result from repairs or alterations which have been made or attempted by others or the unauthorized use of nonconforming parts; the damage is due to normal wear, damage is due to abuse (including overloading of the tool beyond capacity), improper maintenance, neglect or accident; or the damage is due to the use of the tool after partial failure or use with improper accessories or unauthorized repair or alteration.

This warranty gives you specific legal rights, and you may also have other rights that vary from state to state.

## REPLACEMENT PARTS LIST

---

For replacement parts, call our customer service department at **1-888-3KOBALT** (1-888-356-2258), 8 a.m. - 8 p.m., EST, Monday - Friday.



PART	DESCRIPTION	PART #
1	Blower tube	341163505

Printed in China