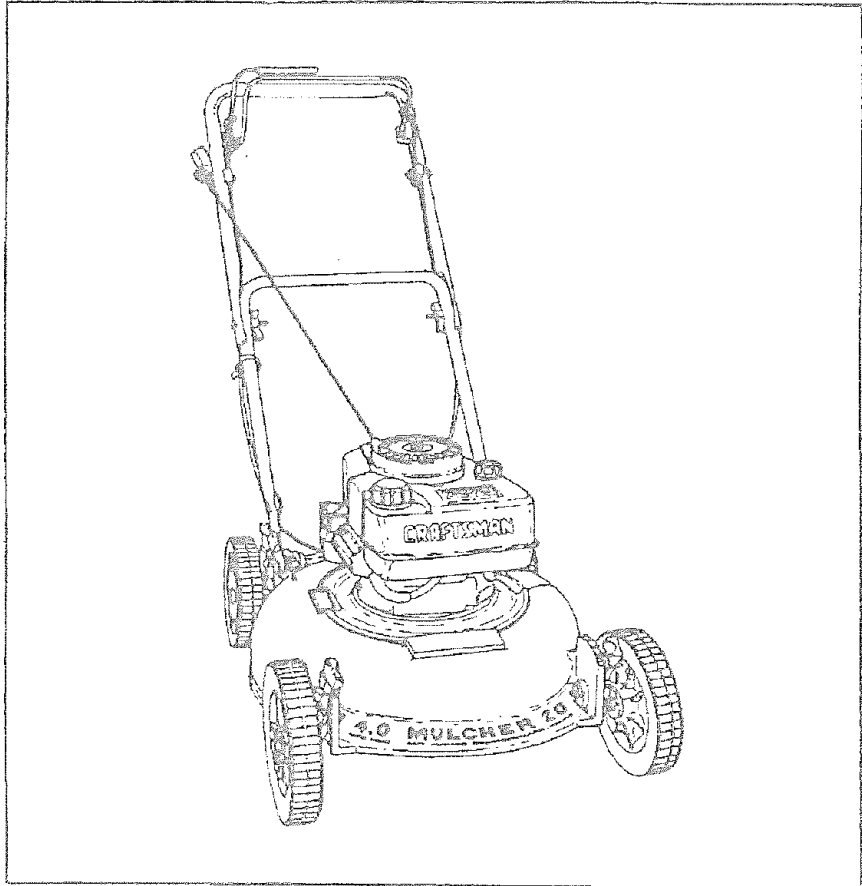


SEARS
OWNER'S
MANUAL

MODEL NO.
517.372500

Caution:
Read and Follow
all Safety Rules
and Instructions
Before Operating
This Equipment



CRAFTSMAN®

4.0 HORSEPOWER
20" ROTARY
POWER - PROPELLED
MULCHING MOWER

Assembly
Operation
Customer Responsibilities
Service and Adjustment
Repair Parts

SEARS, ROEBUCK AND Co., Chicago, IL. 60684 U.S.A.

JA993695

SAFETY RULES

CAUTION: ALWAYS DISCONNECT SPARK PLUG WIRE AND PLACE WIRE WHERE IT CANNOT CONTACT SPARK PLUG TO PREVENT ACCIDENTAL STARTING WHEN SETTING-UP, TRANSPORTING, ADJUSTING OR MAKING REPAIRS TO YOUR MOWER.

IMPORTANT

FEDERAL REGULATIONS REQUIRE OPERATOR PRESENCE BLADE STOP CONTROLS TO MINIMIZE THE RISK OF CONTACT INJURY. YOUR MOWER IS EQUIPPED WITH SUCH CONTROLS. DO NOT ATTEMPT TO DEFEAT THE FUNCTION OF THE OPERATOR PRESENCE CONTROL UNDER ANY CIRCUMSTANCES.

TRAINING:

- Read the owner's manual carefully. Become familiar with the controls and know how to operate this mower properly. Learn how to stop the mower quickly.
- DO NOT allow children to use this mower. Never allow adults to use the mower without proper instructions.
- Keep the area of operation clear of all persons, especially small children and pets.
- Use the mower only as the manufacturer intended and as described in this manual.
- When not using your mower, store it indoors in a dry, high or locked-up place - out of reach of children.
- DO NOT operate mower if it has been dropped or damaged in any manner. Always have damage repaired before using the mower.
- DO NOT use accessory attachments not recommended by the manufacturer - it may be hazardous.
- Use only product manufacturer's genuine replacement parts. Failure to do so may cause poor fit and possible injury.
- DO NOT continue to run your mower if you hit a foreign object. Stop the engine, make absolutely sure the blade and all moving parts have stopped, disconnect the spark plug wire from the spark plug to prevent accidental starting, then inspect the mower for damage and repair before restarting and operating the mower.
- If the mower should start to vibrate heavily, stop the engine, check for the cause and repair. Remember, heavy vibration is generally a sign of trouble.
- Stop the engine, wait for blade and all moving parts to stop, before cleaning, unclogging chute, removing grass catcher, repairing or inspecting the mower. Always disconnect the spark plug wire and keep away from plug to prevent accidental starting.
- DO NOT run engine indoors - exhaust fumes are dangerous.
- Never cut grass by pulling the mower towards you. Mow grass across the face of slopes, never up and down or you could lose your footing. DO NOT mow excessively steep slopes. Use caution when operating the mower on uneven terrain or when changing direction - maintain good footing.
- Never operate the mower without proper guards, plates or other safety devices in place.

PREPARATION:

- Objects struck by the lawn mower will be thrown and can cause severe injury to persons. Always check the area to be mowed and clear it of all stones, sticks, wires, bones, etc.
- Dress properly - Wear only solid shoes when mowing. Never mow when barefoot or wearing open sandals.
- Always wear safety glasses or eye shields when starting and while using your lawn mower.
- DO NOT fill gas tank when the engine is running, indoors or when engine is hot. Allow the engine to cool for several minutes before filling the gas tank. Clean off any spilled gasoline before starting the engine.
- Never make wheel height adjustments while the engine is running.
- Mow only in daylight or good artificial light.
- DO NOT operate mower in wet grass. Always be sure of your footing - keep a firm hold on the handles and walk - never run.

OPERATION:

- DO NOT change the governor settings or overspeed the engine.
- DO NOT put hands or feet near or under rotating parts. Keep clear of the discharge opening at all times.
- Stop the engine whenever you leave the mower, before crossing drives, walks or roads.

CUSTOMER RESPONSIBILITIES AND STORAGE

- Check the blade and the engine mounting bolts often to be sure they are tightened properly.
- Check all bolts, nuts and screws at frequent intervals for proper tightness to be sure mower is in safe working condition.
- Never store mower with fuel in the tank inside a building where ignition sources are present such as hot water heater and space heaters, clothes dryers, and the like.
- Allow engine to cool before storing in any enclosure.
- To reduce fire hazard, keep the engine free of grass, leaves or excessive grease and oil.
- If grass catcher is used with your mower, check it often for deterioration and wear and replace worn bags. Use only replacement bags that are recommended by and comply with specifications of the manufacturer of your mower.
- Keep a sharp blade on your mower.
- The cutting edges of the mower blade are sharp and can lacerate (cut) skin tissue. Care should be taken when doing any repair work on or around the mower blade. To prevent injury, it is recommended that gloves be worn or the cutting edge be wrapped with newspaper or any other suitable material when working on the blade.



LOOK FOR THIS SYMBOL TO POINT OUT IMPORTANT SAFETY PRECAUTIONS. IT MEANS — ATTENTION!!! BECOME ALERT!!! YOUR SAFETY IS INVOLVED.

CONGRATULATIONS on your purchase of a Sears Craftsman Lawn Mower. It has been designed, engineered and manufactured to give you the best possible dependability and performance.

Should you experience any problem you cannot easily remedy, please contact your nearest Sears Service Center/Department. We have competent, well-trained technicians and the proper tools to service or repair this unit.

Please read and retain this manual. The instructions will enable you to assemble and maintain your mower properly. Always observe the "SAFETY RULES".

MODEL
NUMBER 517.372520

SERIAL
NUMBER _____

DATE OF
PURCHASE _____

THE MODEL AND SERIAL NUMBERS WILL BE FOUND ON A DECAL ATTACHED TO THE REAR OF THE MOWER DECK.

YOU SHOULD RECORD BOTH SERIAL NUMBER AND DATE OF PURCHASE AND KEEP IN A SAFE PLACE FOR FUTURE REFERENCE.

MAINTENANCE AGREEMENT

A Sears Maintenance Agreement is available on this product. Contact your nearest Sears store for details.

CUSTOMER RESPONSIBILITIES

- Read and observe the safety rules.
- Follow a regular schedule in maintaining, caring for and using your mower.
- Follow the instructions under "Customer Responsibilities" and "Storage" sections of this Owner's Manual.

PRODUCT SPECIFICATIONS

HORSE POWER	4.0
DISPLACEMENT:	171.9cc
FUEL TANK CAPACITY	48 oz. (1.42 liters)
OIL CAPACITY	20 oz. (.59 liter)
SPARK PLUG (GAP .030 in.): (.76mm)	Champion RJ-19LM (or equivalent)
SOLID STATE IGNITION AIR GAP:	.0125 in. (.32mm)
BLADE BOLT TORQUE:	35-40 ft. lbs. (47.5-54.2Nm)

ONE YEAR LIMITED WARRANTY ON CRAFTSMAN POWER MOWER

For one year from the date of purchase, when this Craftsman Lawn Mower is maintained, lubricated and tuned-up according to the instructions in the owner's manual, Sears will repair, free of charge, any defect in material and workmanship.

If this Craftsman Lawn Mower is used for commercial or rental purposes, this warranty applies for only 90 days from the date of purchase.

This warranty does not cover:

- Expendable items which become worn during normal use, such as rotary mower blades, blade adaptors, belts, air cleaners and spark plug.
- Repairs necessary because of operator abuse or negligence, including bent crankshafts and the failure to maintain the equipment according to the instructions contained in the owner's manual.

WARRANTY SERVICE IS AVAILABLE BY RETURNING THE CRAFTSMAN POWER MOWER TO THE NEAREST SEARS SERVICE CENTER/DEPARTMENT IN THE UNITED STATES. THIS WARRANTY APPLIES ONLY WHILE THIS PRODUCT IS IN USE IN THE UNITED STATES.

This warranty gives you specific legal rights, and you may also have other rights which vary from state to state.

SEARS, ROEBUCK AND CO. Department D731CR-W Sears Tower, Chicago, Ill. 60684

TABLE OF CONTENTS

SAFETY RULES	2	OPERATION	6,7,8,9,10
PRODUCT SPECIFICATIONS	3	SERVICE AND ADJUSTMENT	16,17
CUSTOMER RESPONSIBILITIES	3,11,12,13,14,15	STORAGE	16
WARRANTY	3	SERVICE RECOMMENDATIONS	11
TABLE OF CONTENTS	4	TROUBLE SHOOTING	19
INDEX	4	REPAIR PARTS - MOWER	20-24
MOWER ACCESSORIES	4	REPAIR PARTS - ENGINE	25-27
ASSEMBLY	5	PARTS ORDERING/SERVICE	BACK PAGE

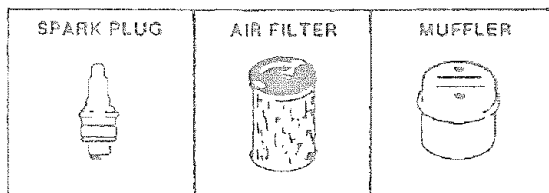
INDEX

<p style="text-align: center;">A</p> <p>Accessories4</p> <p>Adjustments:</p> <p style="padding-left: 20px;">Carburetor.....17</p> <p style="padding-left: 20px;">Engine Speed.....17</p> <p style="padding-left: 20px;">Height of Cut.....8</p> <p style="padding-left: 20px;">Wheel Adjuster.....8</p> <p>Air Filter.....14</p> <p>Assembly:</p> <p style="padding-left: 20px;">Handle.....5</p>	<p>Starting.....8</p> <p>Storage.....18</p> <p style="text-align: center;">F</p> <p>Filter, Air.....14</p> <p style="text-align: center;">G</p> <p>Gasoline:</p> <p style="padding-left: 20px;">Storage.....18</p> <p style="padding-left: 20px;">Tank Capacity.....3</p> <p style="padding-left: 20px;">Type.....8</p> <p>Gear Reducer.....13</p> <p style="text-align: center;">L</p> <p>Lubrication:</p> <p style="padding-left: 20px;">Engine.....15</p> <p style="padding-left: 20px;">Gear Reducer.....13</p> <p style="padding-left: 20px;">Wheels.....14</p> <p style="text-align: center;">M</p> <p>Maintenance:</p> <p style="padding-left: 20px;">Agreement.....3</p> <p>Mowing Tips.....10</p> <p style="text-align: center;">O</p> <p>Oil:</p> <p style="padding-left: 20px;">Change.....15</p> <p style="padding-left: 20px;">Storage.....18</p> <p style="padding-left: 20px;">Type.....8</p> <p>Operating Mower.....7,8,9,10</p> <p>Operator Presence Control.....7</p> <p style="text-align: center;">P</p> <p>Primer.....8</p>	<p style="text-align: center;">R</p> <p>Repair/Replacement Parts.....20-27</p> <p>Responsibilities, Customer.....3</p> <p style="text-align: center;">S</p> <p>Safety Rules.....2</p> <p>Service and Adjustments:</p> <p style="padding-left: 20px;">Blade.....12,13</p> <p style="padding-left: 20px;">Carburetor.....17</p> <p style="padding-left: 20px;">Cutting Height.....8</p> <p style="padding-left: 20px;">Handle Height.....5</p> <p style="padding-left: 20px;">Engine.....17</p> <p style="padding-left: 20px;">Rear Trail Shield.....17</p> <p style="padding-left: 20px;">Gear Reducer.....13</p> <p style="padding-left: 20px;">Service Recommendations.....11</p> <p style="padding-left: 20px;">Spark Plug.....14</p> <p style="padding-left: 20px;">Specifications.....3</p> <p style="padding-left: 20px;">Starting the Engine.....8</p> <p style="padding-left: 20px;">Stopping the Mower.....8</p> <p style="padding-left: 20px;">Storage.....18</p> <p style="text-align: center;">T</p> <p>Table of Contents.....4</p> <p>Trouble Shooting Points.....19</p> <p style="text-align: center;">W</p> <p>Warranty.....3</p> <p>Wheels:</p> <p style="padding-left: 20px;">Adjusting Height.....8</p> <p style="padding-left: 20px;">Lubrication.....14</p>
--	--	--

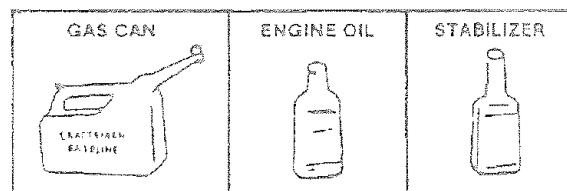
COMMON REPAIR PARTS & MOWER ACCESSORIES

These accessories were available when the mower was purchased. They are also available at most Sears retail outlets, catalog and service centers. Most Sears stores can order repair parts for you, when you provide the model number of your mower.

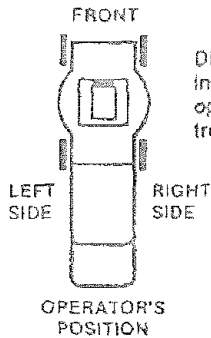
ENGINE REPAIR PARTS



ACCESSORIES



ASSEMBLY



NOTE

Directions (front, rear, left, right, etc.) in this manual are oriented from the operator's position behind the control handle.

- Raise lower handle to vertical position.
- Lift upper handle to horizontal position being careful not to pinch the starter rope at the handle joint.
- Raise upper handle to vertical position and tighten the handle joining knobs.

Your lawn mower has been completely assembled at the factory.

IMPORTANT: DO NOT ATTEMPT TO LIFT THE MOWER FROM THE CARTON, BECAUSE DOING SO COULD RESULT IN CONTROL CABLE DAMAGE.

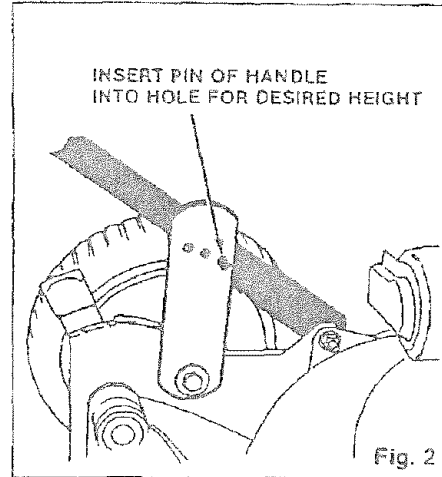
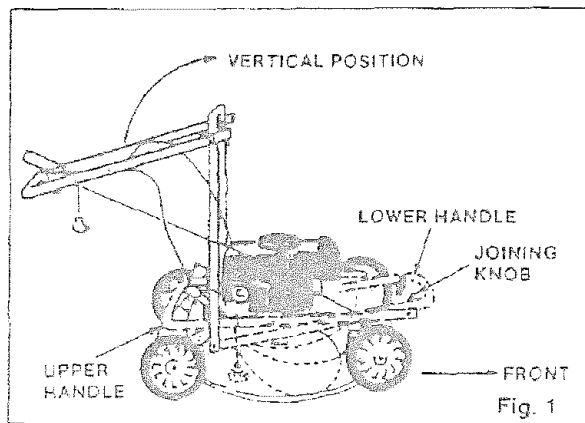
TO REMOVE MOWER FROM CARTON

- Remove loose parts if included with mower, (i.e. oil, owner's manual, etc.).
- Cut down corners on one end of carton and lay end down flat.
- Remove packing material.
- Roll mower out of carton and check carton thoroughly for loose parts.

IMPORTANT: BE CAREFUL NOT TO PINCH OR KINK THE CONTROL CABLES WHILE UNFOLDING THE HANDLES.

HOW TO SET-UP YOUR LAWN MOWER

To Unfold Handles (See Fig.1)



- Pull the handle rearward to an angle where you can insert the pins of the handle into one of three holes in the handle support. (See Figure 2.)
- From the operator's position behind the handle, check the handle height. If you wish to change the height, insert the handle pins into another set of holes.

OPERATION

KNOW YOUR LAWN MOWER

READ THIS OWNER'S MANUAL AND SAFETY RULES BEFORE OPERATING YOUR ROTARY MOWER. Compare the illustrations with your Rotary Mower to familiarize yourself with the location of various controls and adjustments. Save this manual for future reference.

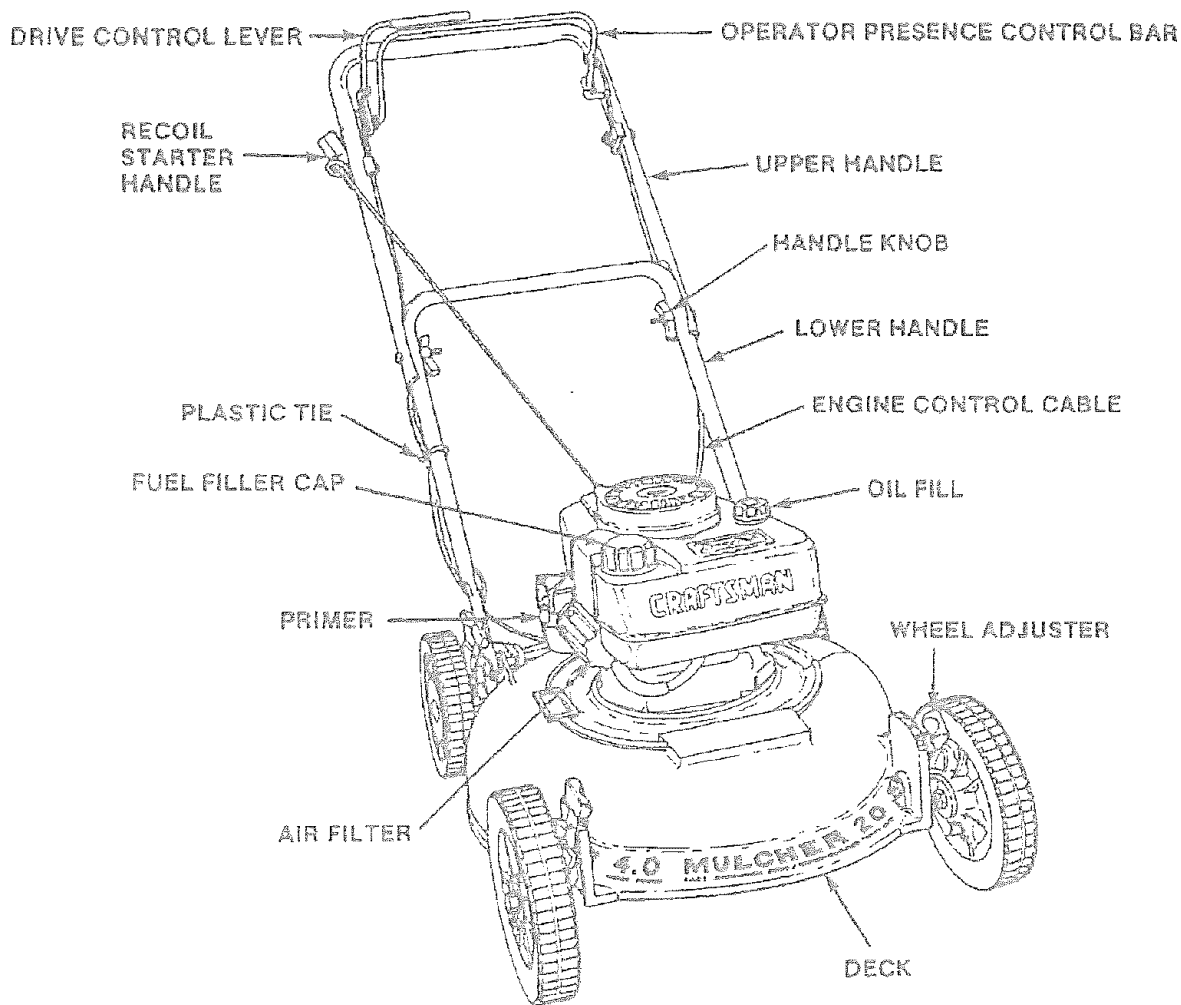


Fig. 3

MEETS CPSC SAFETY REQUIREMENTS

Sears Rotary Walk-Behind Power Mowers conform to the safety standards of the American National Standards Institute, and the U.S. Consumer Product Safety Commission. The blade turns when the engine is running.

OPERATOR PRESENCE CONTROL BAR - must be held down to the handle to start and run the engine. Release to stop the engine.


RECOIL STARTER HANDLE - used for starting the engine.

PRIMER - pumps additional fuel from the carburetor to the cylinder for use when starting a cold engine.

DRIVE CONTROL LEVER - used to engage forward motion of mower.

OPERATION

BEFORE USING YOUR LAWN MOWER REFER TO THE "SAFETY RULES" AS SHOWN ON PAGE 2 OF THIS MANUAL. ALWAYS BE CAREFUL.

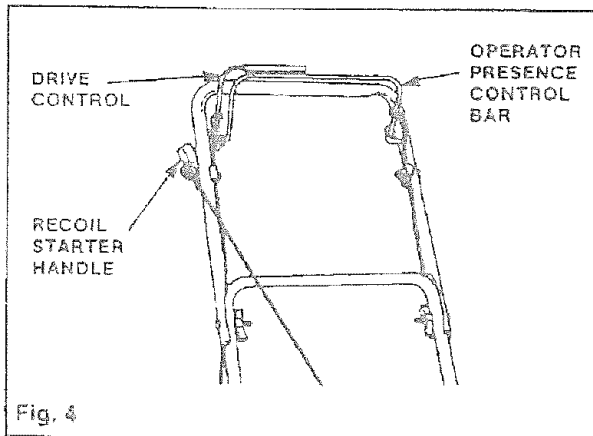
 **WEAR YOUR SAFETY GLASSES**

The operation of any Lawn Mower can result in foreign objects being thrown into the eyes, which can result in severe eye damage. Always wear safety glasses or eye shields before starting power tool operation or while performing any adjustments or repairs. We recommend Wide Vision Safety Mask for over spectacles or standard glasses available at Sears Retail or Catalog Stores.


HOW TO USE YOUR MOWER

OPERATOR PRESENCE CONTROL BAR

Your mower has a control bar which requires the operator to be behind the handle to start and run the mower. When the operator releases the control bar the engine will stop and an internal brake helps the blade to stop quickly.




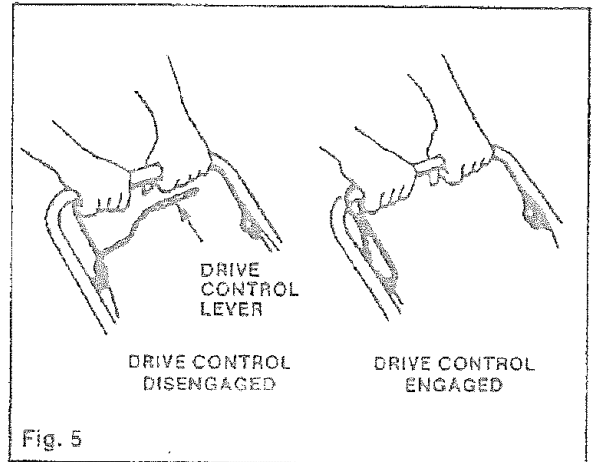
When the operator leaves the operating position to change the cutting height, pick up sticks or other objects in the way, the engine will stop automatically when the control bar is released.

 **WARNING:** Should the engine fail to stop within 3 seconds when the operator presence control bar is released, do not use the mower until the faulty control or braking mechanism has been properly serviced by an authorized servicing dealer.

DRIVE CONTROL

- The operator has the option of pushing the mower or engaging the drive control lever for forward motion. The drive is engaged by holding the drive control lever at the right end of the operator presence control bar against the upper handle. When operation without rear wheel motion is desired, only the operator presence control bar should be depressed.

 **WARNING:** For safe operation, the drive control must disengage immediately when the drive control lever is released. If it does not, have the machine properly serviced.



OPERATION

ADJUST CUTTING HEIGHT

- Raise wheels for low cut and lower wheels for high cut.
- Adjust cutting height to suit your requirements. Medium position is best for most lawns.
- To change cutting height, squeeze adjuster lever toward wheel. Move wheel up or down to suit your requirements. Be sure all wheels are in the same setting.

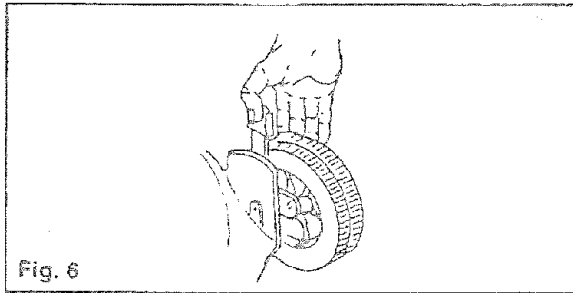


Fig. 6

BEFORE STARTING ENGINE

- Place unit so engine is in a level position.
- Remove oil fill cap and dipstick assembly and fill crankcase (pour slowly with 20 oz. of oil to "FULL" line on dipstick) DO NOT OVER FILL.

Only use high quality detergent oil rated with API service classification SG. Select the oil's viscosity grade according to your expected operating temperature:



NOTE: Although multi-viscosity oils (5W30, 10W30, etc.) improve starting in cold weather, these multi-viscosity oils will result in increased oil consumption when used above 32°F. Check your engine oil level more frequently to avoid possible engine damage from running low on oil.

*Crank case capacity is approximately 20 ounces (.59 liter). Crankcase oil should be changed after first two (2) hours of operation and every twentyfive (25) hours thereafter.

- Replace oil fill cap and dipstick and tighten cap securely.
- Fill gas tank with about one (1) quart of clean, fresh, regular unleaded grade automotive gasoline. DO NOT use Ethyl or high octane gasoline. Be certain container is clean and free from rust or foreign particles. Never use gasoline that may be stale from long periods of storage in the container.

IMPORTANT: EXPERIENCE INDICATES THAT ALCOHOL BLENDED FUELS (CALLED GASOHOL OR USING ETHANOL OR METHANOL) CAN ATTRACT MOISTURE WHICH LEADS TO SEPARATION AND FORMATION OF ACIDS

DURING STORAGE, ACIDIC GAS CAN DAMAGE THE FUEL SYSTEM OF AN ENGINE WHILE IN STORAGE. TO AVOID ENGINE PROBLEMS, THE FUEL SYSTEM SHOULD BE EMPTIED BEFORE STORAGE FOR 30 DAYS OR LONGER. DRAIN THE GAS TANK, START THE ENGINE AND LET IT RUN UNTIL THE FUEL LINES AND CARBURETOR ARE EMPTY. USE FRESH FUEL NEXT SEASON. SEE STORAGE INSTRUCTIONS FOR ADDITIONAL INFORMATION. NEVER USE ENGINE OR CARBURETOR CLEANER PRODUCTS IN THE FUEL TANK OR PERMANENT DAMAGE MAY OCCUR.

TO START ENGINE

- Connect spark plug wire to spark plug.

The carburetor on your mower has been completely adjusted at the factory. For each initial start, push primer button five (5) times prior to starter operation. Use sharp pushes, wait between each push. Repeat the above for each starter operation as necessary. Do not use primer for warm engine restarts.

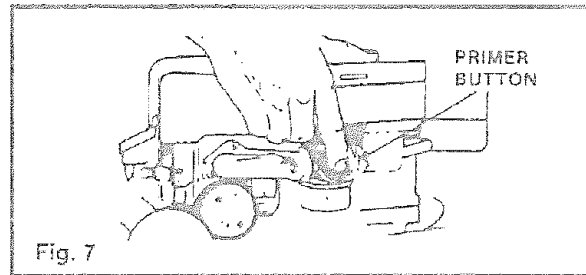


Fig. 7

- Press primer button as described above (cold starts only).
- Hold operator presence control bar down to the handle and pull starter handle quickly. Do not allow starter rope to snap back.
- To "STOP" engine, release operator presence control bar.

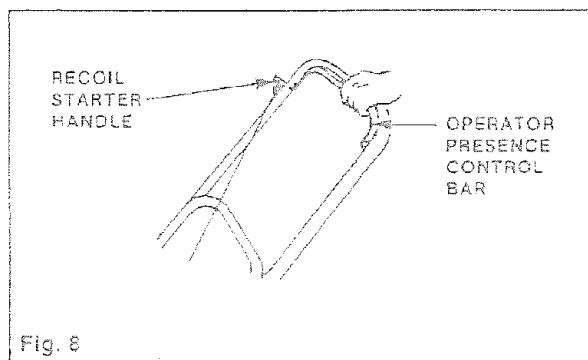


Fig. 8

OPERATION

GRASS MULCHING

Grass mulching is the recycling of nutrients into the soil in a form that is readily degradable. According to scientists specializing in turf study, finely chopped particles of grass will disintegrate into the soil and be absorbed by the grass roots within 14 days.

To understand how your mulcher cuts and recuts grass clippings into a fine mulch, think of the multi-level cutter blade as a fan. The cutter blade blows the grass clippings upward cutting them over and over as they whirl around the circular track of the underdeck. When the track is loaded with clippings, those nearest the inside wall of the track are thrown downward by down-pitched portions of the cutter blade. The particles are blown straight into the turf. (See Figures 9 and 10).

The performance of the mulcher is based on the shape of the deck. If excess debris collects under the deck, it should be cleaned frequently to maintain peak performance.

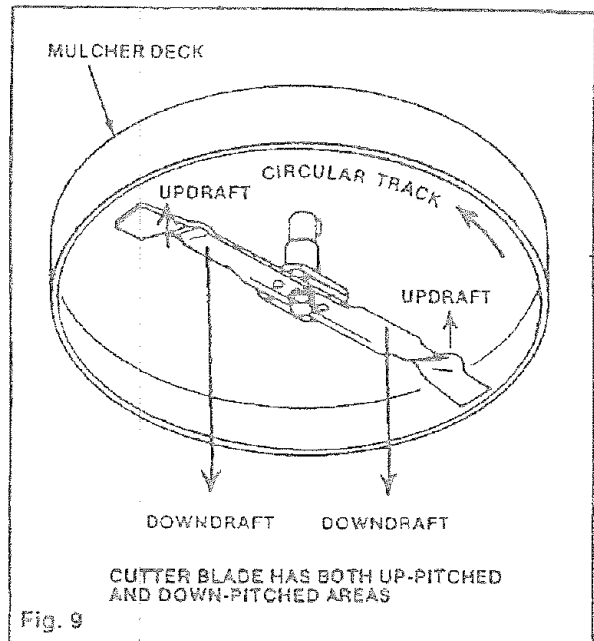
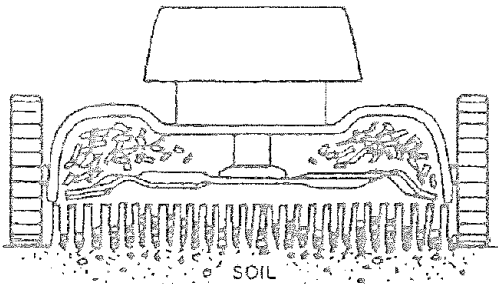


Fig. 9

DIFFERENCES IN MOWING ACTION AND THE END EFFECTS

MULTI-LEVEL BLADE MULCHER: Cuttings suspended in deep mowing deck are chopped and rechopped before being driven down into the soil.



SIDE DISCHARGE MOWER: Blows large clippings into rows or piles which end up as root-destroying thatch, unless clippings are removed.

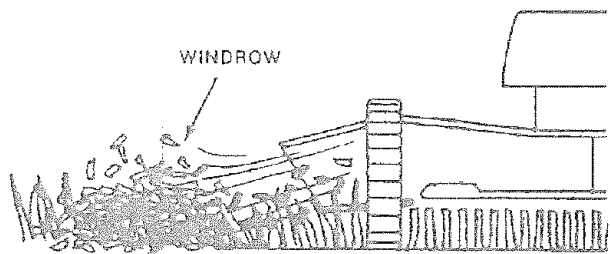


Fig. 10

For effective mulching, grass should be dry so as not to overload the mower. For best results, cut off no more than 1/3 of the height of the grass. If the grass is taller than normal (more than one weeks growth), two cuts may be necessary. The first cut should be at the highest cutting height and the second at your usual cutting height. Mowing at a slower pace or making narrower passes may be helpful for the first cut in extremely tall grass.

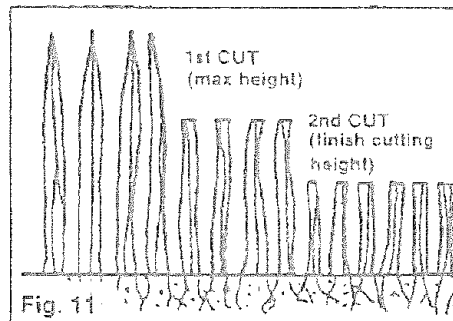


Fig. 11

OPERATION

OVERLAPPING THE RUNS

Overlap each run for maximum width with a minimum of wheel tracks. Run the inside of the front wheel along edge of uncut grass.

CAUTION: THE LEAST DANGEROUS METHOD FOR MOWING ON HILLS AND TERRACES IS TO CUT HORIZONTALLY ALONG THE SLOPE (AS IN FIGURE 12) INSTEAD OF UP AND DOWN (AS IN FIGURE 13). THIS WILL PLACE YOU AWAY FROM THE MOWER IF YOU SLIP. IT WILL ALSO REDUCE SCALPING ON CROWNS OF HILLS. EXERCISE EXTREME CAUTION TO AVOID SLIPPING AND CONTACTING THE ROTATING BLADE WHILE MOWING ON HILLS. BECAUSE OF THE INCREASED DANGER OF SLIPPING (EVEN ON LEVEL SURFACES) NEVER MOW WHEN GRASS IS WET OR DAMP. ALWAYS WEAR ADEQUATE FOOTWEAR.

On hillside mowing, when possible, keep air cleaner and carburetor on the uphill side (see Figure 12). Make sure that the crank case is properly filled with oil.

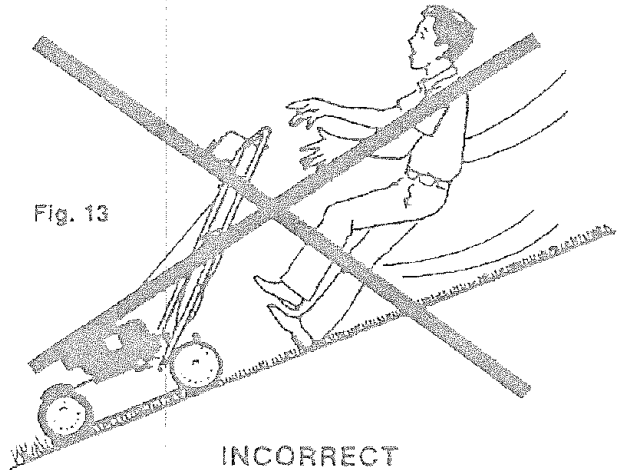


Fig. 13

INCORRECT

DO NOT CUT UP AND DOWN HILLS — DANGER OF SLIPPING AND CONTACTING ROTATING BLADE.

WHEN POSSIBLE, KEEP AIR CLEANER AND CARBURETOR ON UPHILL SIDE.

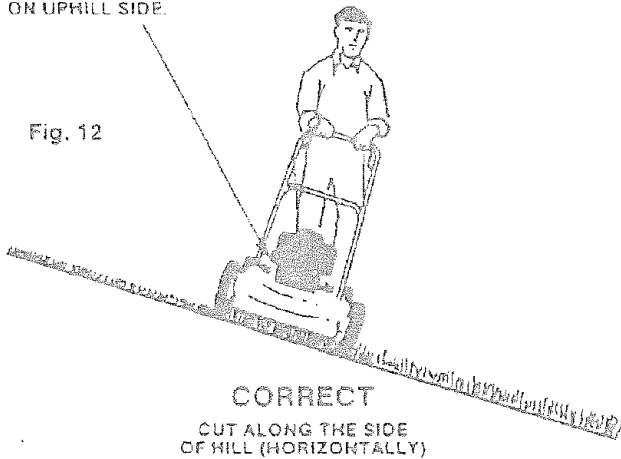
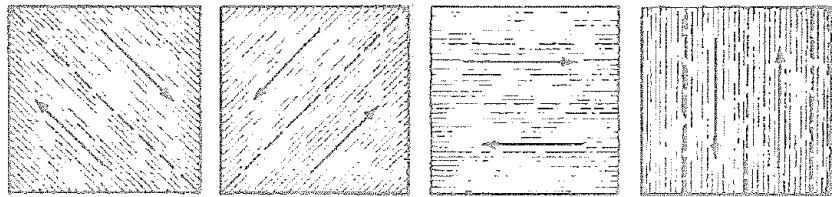


Fig. 12

CORRECT
CUT ALONG THE SIDE OF HILL (HORIZONTALLY)

MOWING PATTERNS

If the mowing pattern and direction of progress are changed each time every cutting will help to eliminate matting, graining and corrugation thereby enhancing the appearance of your lawn. Instead of cutting in circles try the various mowing patterns shown.



CUSTOMER RESPONSIBILITIES

GENERAL RECOMMENDATION

- Clean the underside of your deck after each use.
- Once a year or every 25 operating hours you should replace the spark plug, air filter, and check blade for wear. A new spark plug and air filter assures proper air-fuel mixture and helps your engine run better and last longer.
- Check all fasteners and be sure they are tight.
- Follow the Service Recommendation Schedule.

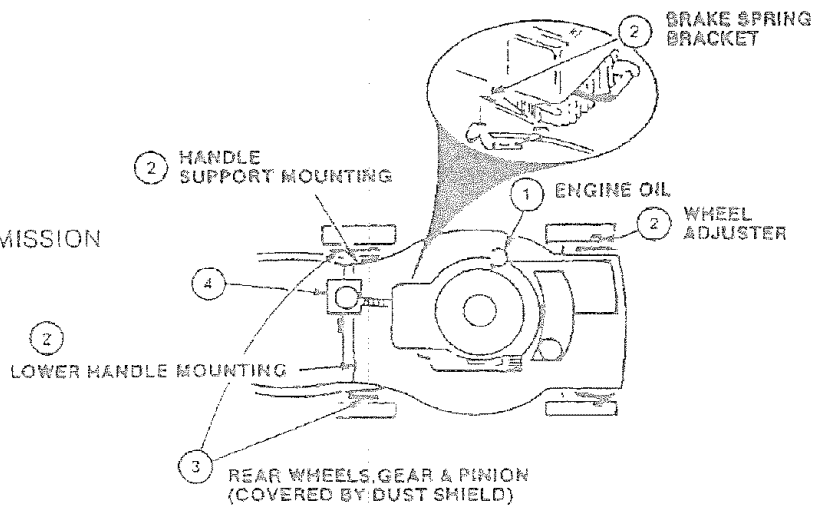


DANGER: BEFORE TURNING THE DECK ON THE LEFT SIDE, EMPTY THE FUEL TANK IN A SUITABLE CONTAINER. WEAR GLOVES TO PROTECT AGAINST SHARP BLADE AND EDGES OF DECK.

SERVICE RECORD	SERVICE RECOMMENDATIONS SCHEDULE					SERVICE DATES
	First 2 Hours	Every 10 Hours	Every 25 Hours	Every 50 Hours	Every Use	
Fill dates as you complete service						
Blade Sharpened		✓				
Blade Replaced			✓			
Engine Oil Change	✓		✓			
Engine Oil Check					✓	
Air Filter Replaced			✓			
Lubricate Mower			✓			
Cleaning					✓	
Grass Catcher (if applicable)			✓			
Muffler			✓			
Gear Reducer Checked			✓			
Rear Wheels Lubrication				✓		
Drivebelt Checked			✓			
Spark Plug Replaced			✓			

LUBRICATION CHART

- ① SAE 30W MOTOR OIL (5W30)
- ② SPRAY LUBRICANT
- ③ GREASE
- ④ TYPE "F" AUTOMATIC TRANSMISSION FLUID



CUSTOMER RESPONSIBILITIES

MOWER CLEANING

- We recommend that you clean the underside of your mower after each use.



CAUTION: DISCONNECT SPARK PLUG WIRE FROM SPARK PLUG AND PLACE WIRE WHERE IT CANNOT COME IN CONTACT WITH THE SPARK PLUG.

INSPECTING CUTTER BLADE

- Cutter blade must be straight (see Figure 14). Any impact severe enough to bend a blade has also caused microscopic cracks in the blade. Bent blades should be replaced because the cracked portions could break off, becoming dangerous and capable of inflicting serious injuries.

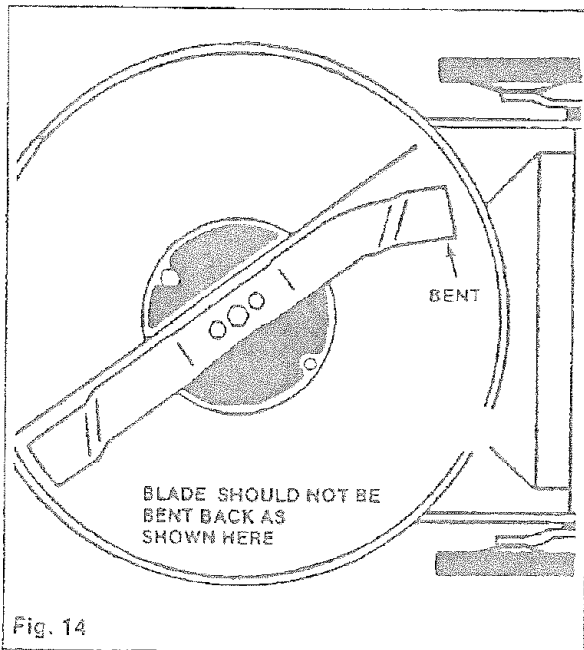


Fig. 14

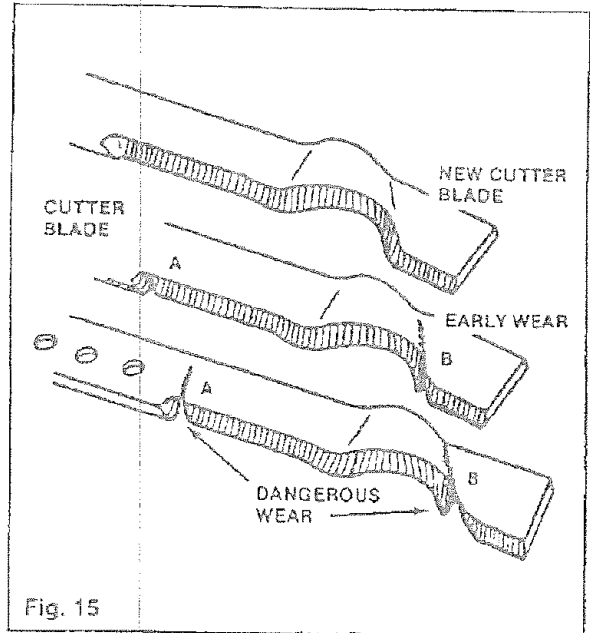


Fig. 15

- The cutting ends of the blade should be inspected for cracks developing at points marked "A" and "B" in Figure 15. These are developing points, either from unsharpened to sharpened edges, or from rounded to flat areas of the blade. Abrasive particles cause cracks by wearing the steel during mowing. At the first sign of a crack, the cutter blade should be replaced.

CHANGING BLADE

- Set the mower on a driveway or concrete floor, disconnect spark plug wire and tip it over on its left side so crank case oil will not drain into the carburetor and air filter.
- Put on gloves for protection against the blade edges.
- As shown in Figure 16, use a piece of 2" x 4" lumber about 14" long (rough metric equivalent: 4 x 9 x 35 cm) as a stop. Insert the stop between the cutter blade and the floor.
- Use a wrench to remove the mounting bolt, lock-washer and cutter blade.
- Install sharp cutter blade as shown in Figures 16 and 17. Be sure blade is correctly mounted on the adaptor. Install the lockwasher and bolt and make the bolt finger tight.
- Reinsert the 2 x 4 stop between the floor and the cutter blade, but this time at the front of the deck. Tighten the bolt with a wrench (to 35-40 ft. lbs. or 47.5-54.2 Nm).

CUSTOMER RESPONSIBILITIES

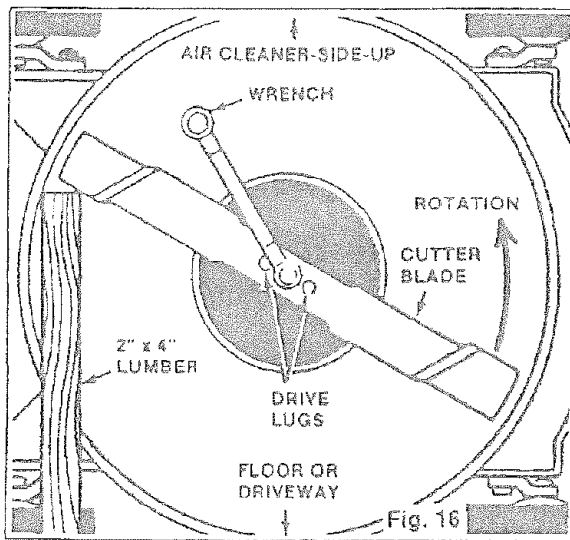


Fig. 16

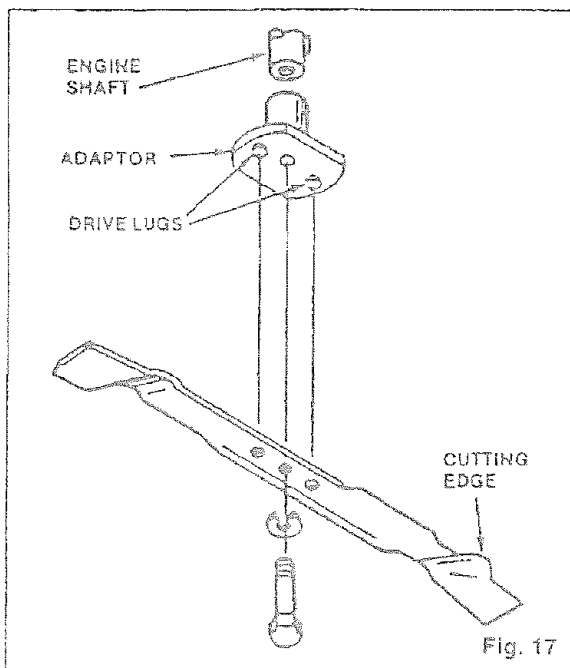


Fig. 17

WARNING: A LOOSE BLADE CAN BE DANGEROUS AND MAY MAKE THE ENGINE HARD TO START. FAILURE TO PROPERLY ASSEMBLE THE CUTTER BLADE IN THE ADAPTOR MAY RESULT IN CRACKS IN THE CUTTER BLADE OR LOOSENING OF THE MOUNTING BOLT. EITHER OF THESE DEVELOPMENTS COULD RESULT IN SERIOUS BODILY INJURY FROM PIECES BEING DISCHARGED FROM UNDERNEATH THE MOWER.

BLADE SHARPENING

- When sharpening the cutting edges of the blade, do not follow the original angle of grind as shown in "A" of Figure 18. Instead, grind new cutting edges on a diagonal as shown in "B." Make sure that each cutting edge receives an amount of grinding necessary for the blade to remain balanced.
- The remaining straight edge portion of the blade may be smoothed just enough to remove burrs.
- To check balance, suspend blade on a screwdriver or drill shank at center hole. If one end hangs down, grind more steel from that end until blade balances.

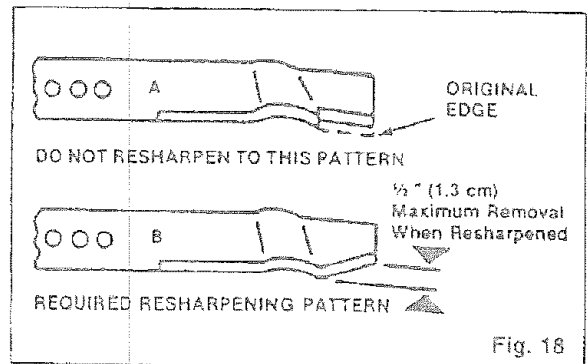


Fig. 18

WARNING: INCORRECT RESHARPENING OF CUTTER BLADE AS DISPLAYED IN "A" OF FIGURE 18, COULD CAUSE THE BLADE TIPS TO BREAK OFF AFTER A SUDDEN IMPACT OF THE BLADE WITH A FOREIGN OBJECT DURING OPERATION. BROKEN PIECES OF THE BLADE THROWN FROM THE MOWER COULD INFLICT SERIOUS BODILY INJURY.

GEAR REDUCER OF POWER-PROPELLED MODEL

The gear reducer is filled with oil at the factory. Additional oil will not be required under normal use. Every 25 hours or if leakage is apparent, remove the pipe plug (see Fig. 19). If oil level is below the hole, fill until oil is level with bottom of hole. Use Type "F" Automatic Transmission Fluid. Do not substitute lubricant. If repair is necessary, see your authorized servicing dealer.

IMPORTANT: Overfilling or use of improper lubricant will cause premature gear reducer failure.



CUSTOMER RESPONSIBILITIES

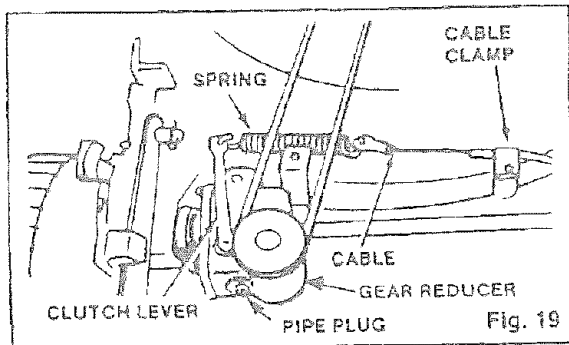


Fig. 19

FRONT WHEELS

Lubricate wheels and the support shafts once a month or every 40 operating hours with SAE 30 oil. Tip mower on its side and apply oil to axle and hub. Spin wheel to allow oil to move into bearing. Oil the wheel support shafts at point where they enter deck. Move indexing levers of height adjusters back and forth to allow oil to move into bearing surfaces.

In extremely dusty conditions, wheels may become tight because of dust in bearing area. When this condition occurs, remove the wheels. Clean axle and wheel bearing surfaces with solvent or emery cloth, then oil and reassemble. Torque to 190-285 in. lbs. (2 to 32 Nm)

REAR WHEELS

At the beginning of each season (or every 50 operating hours) lubricate the wheels and pinions. Block up mower at rear of deck until the rear wheels are clear from ground.

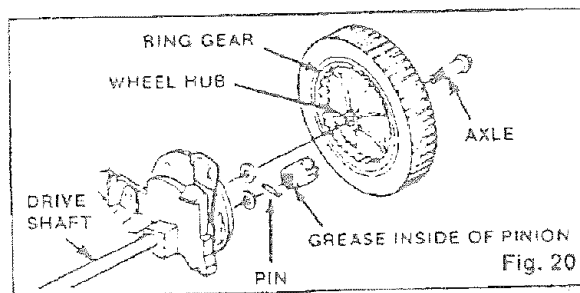


Fig. 20

Remove the axle screws and pull off the wheels. Apply a liberal amount of grease to pinion, ring gear, wheel hub, and axle (see Fig. 20).

Reinstall the wheels, making sure the pinion and gears mesh properly. Be careful to install the pinions on the proper sides, as they are not interchangeable. Propulsion will occur only if parts are correctly installed (see Fig. 21.)

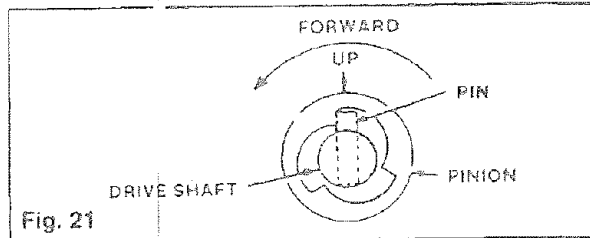


Fig. 21

HEIGHT ADJUSTER

To avoid stiffness in the height adjusters, lubricate adjusters once every season or every 25 operating hours with SAE 30 oil. Apply a liberal amount of oil on the washer and spacer of each adjuster. Move the adjusters back and forth to loosen if stiffness has occurred.

ENGINE

SPARK PLUG

Change your spark plug each year (or every 25 operating hours) to make your engine start easier and run better. Set spark plug gap at .030 inches (.76mm).

AIR FILTER

Your engine will not run properly and may be damaged using a dirty air filter.

Replace the air filter every year (or every 25 operating hours), more often if you mow in very dusty, dirty conditions. Do not wash air filter.

TO CHANGE AIR FILTER

- Remove the air filter cover by turning counter-clockwise to the slot and pull away from collar.
- Remove filter from inside of cover.
- Clean the inside of the cover and the collar to remove any dirt accumulation.
- Insert new filter into cover.
- Put air filter cover and filter into collar aligning the tab with the slot.
- Push in on cover and turn clockwise to tighten.

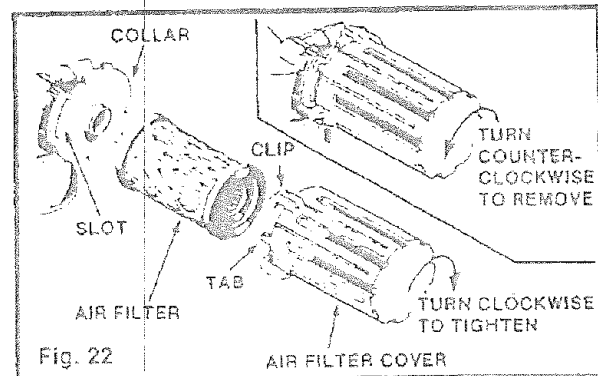


Fig. 22

CUSTOMER RESPONSIBILITIES

ENGINE LUBRICATION

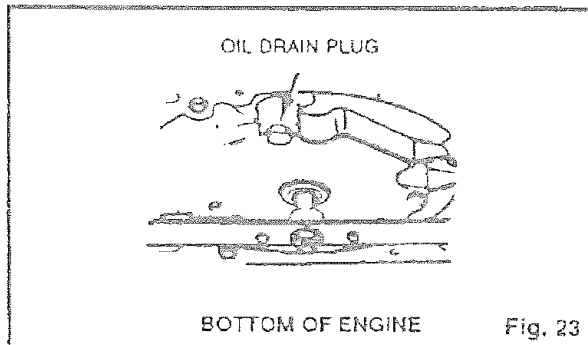
You must change the oil in the crank case after the first two (2) hours of operation and after each 25 hours of use thereafter. CHANGE THE OIL MORE FREQUENTLY IF USED IN SANDY OR DUSTY CONDITIONS.

TO CHANGE OIL



CAUTION: DISCONNECT SPARK PLUG WIRE FROM SPARK PLUG AND PLACE WIRE WHERE IT CANNOT COME IN CONTACT WITH SPARK PLUG.

- Drain the gas tank and then turn the mower on its side with the carburetor side up and remove oil drain plug.



- Set the mower down and drain oil into a flat pan.

NOTE: Oil will drain more freely when warm.

- Replace oil drain plug being sure to tighten firmly.
- Refill crank case with oil. Refer to "BEFORE STARTING ENGINE" in operation section on page 8 of this manual.
- Wipe up any spilled oil on mower.
- Reconnect spark plug wire to spark plug.

COOLING SYSTEM

Frequently remove grass clippings, dirt and debris from cooling fins, air intake screen and levers and linkage. This will help ensure adequate cooling and correct engine speed.

CLEANING



CAUTION: DISCONNECT SPARK PLUG WIRE FROM SPARK PLUG AND PLACE WIRE WHERE IT CANNOT COME IN CONTACT WITH THE SPARK PLUG.

- Turn mower on its side with carburetor up.
- Clean the underside of your mower by scraping to remove build-up of grass and trash.

NOTE: We recommend that you clean the underside of your mower after each use.

IMPORTANT: If liquid fertilizer is applied to the lawn, wash underneath your deck after cutting the lawn for the first time after fertilizing. The fertilizer on the grass clippings contains caustic potash which is **EXTREMELY CORROSIVE** to the aluminum deck. The deck will be damaged if these clippings are not washed away.

- Clean your mower and engine often to keep build-up of trash from accumulating around engine. A clogged engine runs hotter and shortens engine life.

NOTE: We **DO NOT** recommend using a garden hose to clean mower unless the electrical system, muffler, air filter and carburetor are covered to keep water out. Water in engine can result in shortening engine life.

SERVICE AND ADJUSTMENTS



CAUTION: DISCONNECT SPARK PLUG WIRE FROM SPARK PLUG AND PLACE WIRE WHERE IT CANNOT COME IN CONTACT WITH SPARK PLUG.

BELT REPLACEMENT

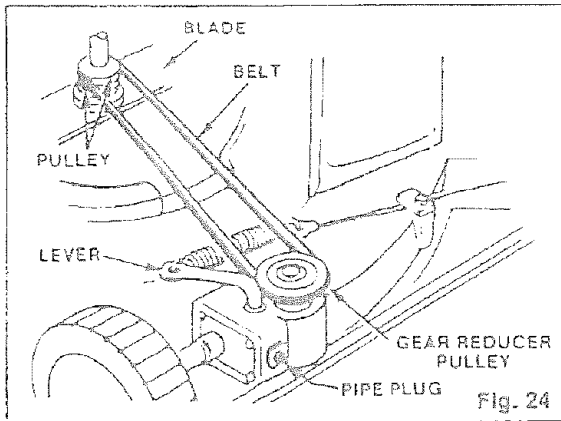
Inspect belt every 25 hours for wear. Replacement belts are available from your authorized servicing dealer. Follow the procedure given below.

- Disconnect spark plug wire from the spark plug.
- Remove the bolts holding the belt cover to the deck. Then slide out the cover.
- Slip the belt over and off the gear reducer pulley.
- Tip the mower on its left side letting it rest on its handles.



CAUTION: Do this procedure with less than 1/4 tank of gasoline and the oil dipstick must be tight.

- Pull the belt through slot in deck so that entire belt is under deck.
- Slip belt over end of blade and remove.
- Reverse the above procedure to install new belt.

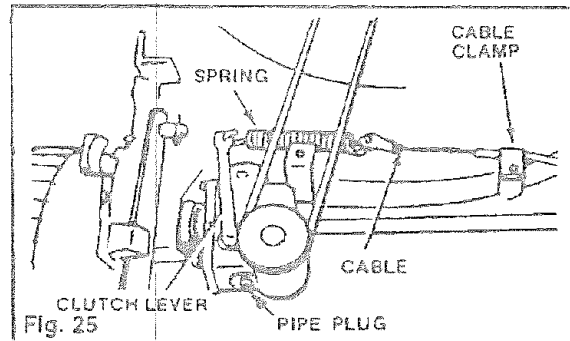


TRACTION DRIVE ADJUSTMENT

Parts wear or stretching of the traction control cable eventually may cause excessive slipping which first becomes apparent during maximum loading situations such as uphill mowing.

- Disconnect the spark plug wire.
- Loosen cable clamp screw.
- Push cable from the slot in the clamp and move it to the right until the slack is removed from the cable.

- Push cable into slot and tighten cable clamp screw.
- Install spark plug wire on spark plug.
- Test drive adjustment. If mower drive does not release readjust adding slack to the system.



IMPORTANT: AFTER TIPPING MOWER UP FOR INSPECTION OR ANY OTHER REASON DO NOT ATTEMPT TO START ENGINE UNTIL MOWER IS ALLOWED TO SET IN NORMAL UPRIGHT POSITION FOR AT LEAST 3 TO 5 MINUTES. IT IS IMPORTANT TO GIVE OIL ENOUGH TIME TO DRAIN BACK INTO CRANK CASE. IF AFTER 5 MINUTES, STARTER CORD STILL DOES NOT PULL EASILY, REMOVE THE SPARK PLUG, SLOWLY CRANK ENGINE TO EXPEL ANY OIL STILL TRAPPED IN CYLINDER, AND REINSTALL SPARK PLUG. ENGINE MAY NOW BE STARTED.

SERVICE AND ADJUSTMENTS

REAR TRAIL SHIELD

The rear trail shield, attached between the rear wheels of your mower, is provided to minimize the possibility that objects will be thrown out the rear of the mower into the operator mowing position. If the shield becomes damaged, it should be replaced.

ENGINE

ENGINE SPEED

Your engine speed has been factory set. Do not attempt to increase engine speed or it may result in personal injury. If you believe that the engine is running too fast or too slow, take your mower to an authorized Sears Service Center for repair and adjustment.

CARBURETOR

Your carburetor has a non-adjustable fixed main jet for mixture control. If your engine does not operate properly due to suspected carburetor problems, take your mower to an authorized Sears Service Center for repair and adjustment.



WARNING: CARBURETOR ADJUSTMENT REQUIRES HIGH SPEED OPERATION OF THE ENGINE DURING THE PROCESS. IT IS, ACCORDINGLY, REQUIRED THAT A MATURE PERSON, WELL-ACQUAINTED WITH THE DANGERS OF IMPROPER PROCEDURE, ASSIST BY CONTROLLING THE ENGINE FROM THE OPERATOR'S POSITION WHILE THE ADJUSTMENTS ARE BEING MADE. DO NOT PUT FINGERS OR TOES NEAR THE MOWER DECK DURING THIS ADJUSTMENT.

STORAGE

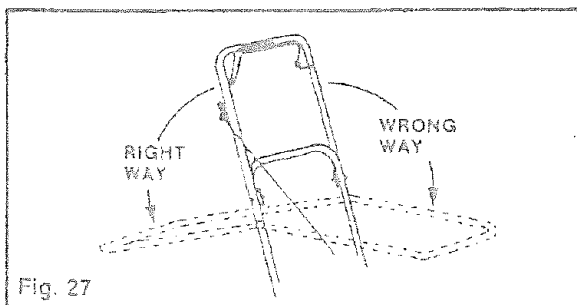
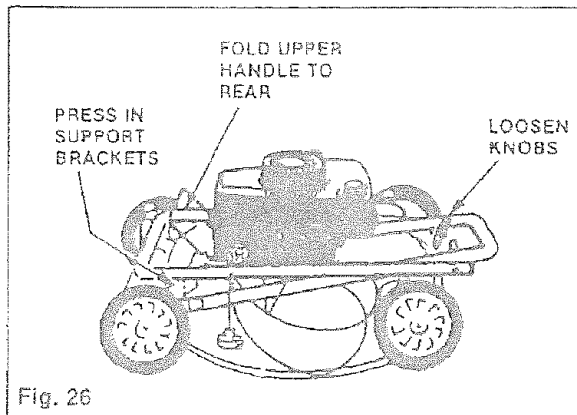
Your mower and engine should be prepared for off season storage as follows:

MOWER

- Clean underside of mower deck (See "CLEANING" in Customer Responsibilities section of manual).
- Inspect and replace/sharpen blade, if required (see "BLADE CARE" in Customer Responsibilities section of manual).
- Lubricate as shown in Service Recommendation chart on page 11 of manual.

HANDLE

- While supporting the lower handle, press handle support in and down to release handle from the support.
- Loosen handle knobs. Fold upper handle rearward to horizontal position. Make sure lower handle is slightly tilted back to prevent the cable from stretching.
- Bring lower handle over engine until the upper handle and lower handle are in the lowest position. Make sure cables are not sharply bent.



IMPORTANT: WHEN FOLDING THE HANDLE FOR STORAGE OR TRANSPORTATION, BE SURE TO FOLD THE HANDLE AS SHOWN IN FIG. 26. IF YOU FOLD THE UPPER HANDLE SECTION THE

WRONG WAY, YOU MAY DAMAGE THE CONTROL CABLES (SEE FIG. 27).

ENGINE

- Change oil (see "To Change Oil" in Customer Responsibilities section of manual).
- Drain fuel and run engine until fuel system is empty.

IMPORTANT: IT IS IMPORTANT TO PREVENT GUM DEPOSITS FROM FORMING IN ESSENTIAL FUEL SYSTEM PARTS SUCH AS THE CARBURETOR, FUEL FILTER, FUEL HOSE, OR TANK DURING STORAGE. ALSO, EXPERIENCE INDICATES THAT ALCOHOL BLENDED FUELS (CALLED GASOHOL OR USING ETHANOL OR METHANOL) CAN ATTRACT MOISTURE WHICH LEADS TO SEPARATION AND FORMATION OF ACIDS DURING STORAGE. ACIDIC GAS CAN DAMAGE THE FUEL SYSTEM OF AN ENGINE WHILE IN STORAGE.

OTHER

- Do not store gasoline from one season to another.
- Replace your gasoline can if your can starts to rust. Rust and/or dirt in your gasoline can cause problems.
- Do not store your mower under any plastic cover. Plastic cannot breathe which allows condensation to form and can cause your mower to rust.

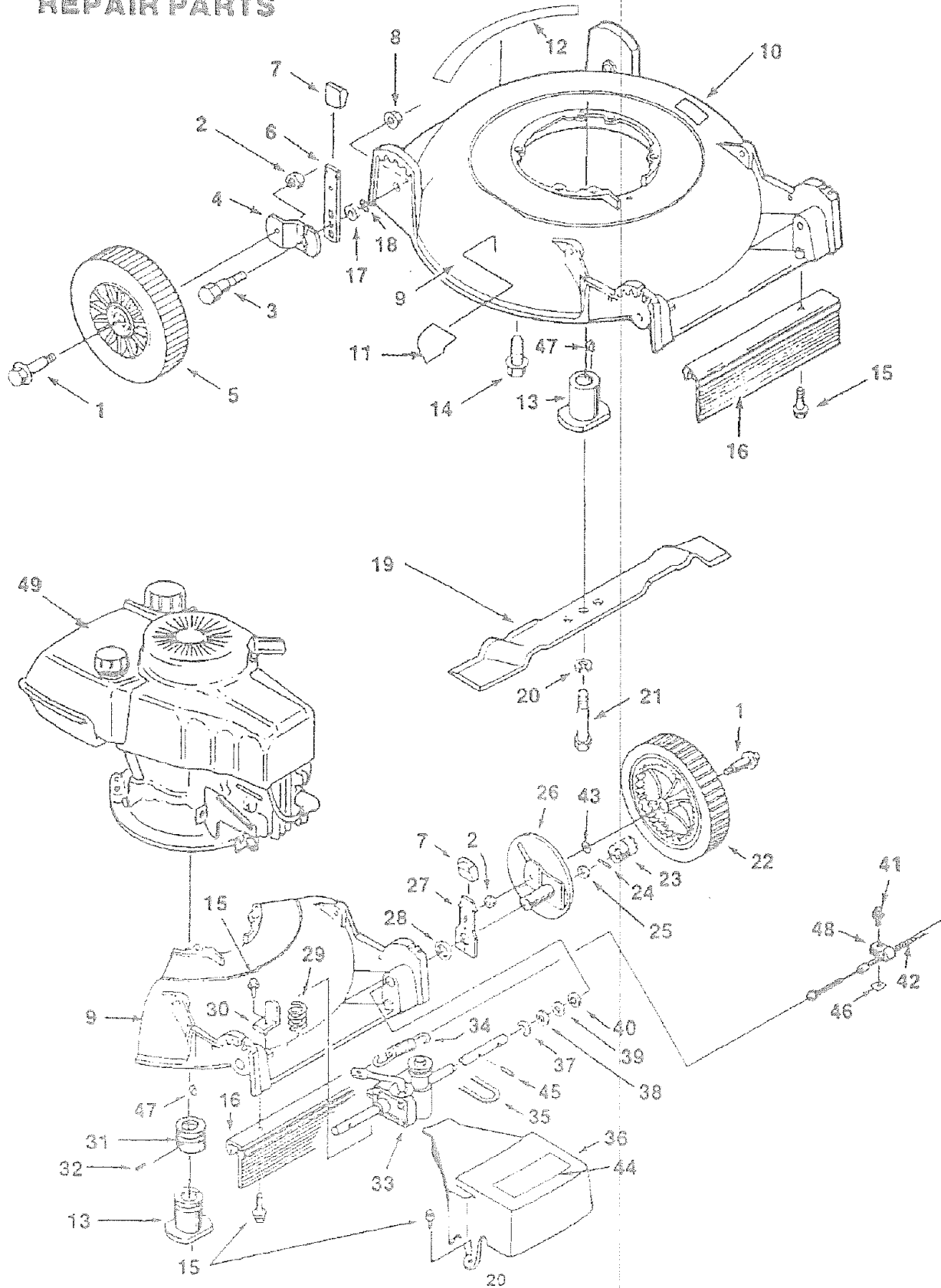


CAUTION: NEVER STORE THE LAWN MOWER WITH GASOLINE IN THE TANK INSIDE A BUILDING WHERE FUMES MAY REACH AN OPEN FLAME OR SPARK. ALLOW THE ENGINE TO COOL BEFORE STORING IN ANY ENCLOSURE.

TROUBLE SHOOTING POINTS

PROBLEM	CAUSE	CORRECTION
Does not Start	<ol style="list-style-type: none"> 1. Dirty Air Filter. 2. Out of gasoline. 3. Stale Gasoline. 4. Spark plug wire is disconnected. 5. Bad spark plug. 6. Water in gasoline. 7. Loose blade or broken blade adaptor. 8. Operator Presence Control Bar in released position. 9. Operator Presence Control Bar defective. 	<ol style="list-style-type: none"> 1. Replace Air Filter. 2. Fill gasoline tank. 3. Drain gas and refill with fresh gasoline. 4. Connect wire to spark plug. 5. Replace spark plug. 6. Drain tank and refill with fresh, clean gasoline. 7. Tighten blade nut and/or replace blade adaptor. 8. Depress Operator Presence Control Bar. 9. Contact Sears Service Department.
Loss of Power	<ol style="list-style-type: none"> 1. Rear of mower deck/blade dragging in heavy grass. 2. Cutting too much grass. 3. Dirty air filter. 4. Build-up of grass, leaves, and trash under mower deck. 5. Walking speed too fast. 6. Too much oil in engine. 	<ol style="list-style-type: none"> 1. Raise rear of mower deck one (1) setting higher than front. 2. Set in "Higher Cut" position. 3. Clean or replace air filter. 4. Disconnect spark plug wire and clean underside of mower housing. 5. Cut at slower walking speed. 6. Check engine oil level.
Poor cut-Uneven	<ol style="list-style-type: none"> 1. Worn, bent or loose blade. 2. Wheel heights uneven. 3. Low engine speed. 4. Build-up of grass, leaves and trash under mower deck. 	<ol style="list-style-type: none"> 1. Replace blade. Tighten blade nut. 2. Set all wheels at same height. 3. Contact Sears Service Department. 4. Disconnect spark plug wire & clean underside of mower housing.
Too much Vibration	<ol style="list-style-type: none"> 1. Worn or bent blade. 2. Loose blade. 3. Bent engine crank shaft. 	<ol style="list-style-type: none"> 1. Replace blade. 2. Tighten blade nut. 3. Contact Sears Service Department.
Starter Rops Hard to Pull	<ol style="list-style-type: none"> 1. Flywheel brake is on when Operator Presence Control Bar is released. 2. Bent engine crank shaft. 3. Blade adaptor sheared. 4. Blade dragging in grass. 	<ol style="list-style-type: none"> 1. Depress Operator Presence Control Bar to upper handle before pulling on starter rope. 2. Contact Sears Service Department. 3. Replace blade adaptor. 4. Get over low grass and/or hard surface to start engine.
Traction Drive Malfunction	<ol style="list-style-type: none"> 1. Broken or disconnected cable. 2. Slipping or slow engagement. 3. Belt out of pulley groove or broken. 4. Pinion or pin reversed (no drive or free-wheeling). 	<ol style="list-style-type: none"> 1. Contact Sears Service Department. 2. Adjust Traction Drive. 3. See "BELT REPLACEMENT." 4. See page 14.
Hard to Push	<ol style="list-style-type: none"> 1. High Grass or cutting height too low. 2. Rear of mower deck/blade dragging in heavy grass. 3. Handle height position not right for you. 	<ol style="list-style-type: none"> 1. Raise cutting height. 2. Raise rear of mower deck one (1) setting higher than front. 3. Adjust handle height to suit.

SEARS CRAFTSMAN 20" GAS ROTARY MULCHING MOWER 517.372520
ENGINE MODEL NUMBER 143.424352
REPAIR PARTS



SEARS CRAFTSMAN 20" GAS ROTARY MULCHING MOWER 517.372520
ENGINE MODEL NUMBER 143.424352

REPAIR PARTS LIST

NO.	PART NO.	DESCRIPTION	QTY.
1	JA-99295-5	AXLE- Wheel support	4
2	JA-99371-1	NUT- Hex	4
3	JA-35918-0	BOLT- Hgt. adj.	2
4	JA-99128-7	ARM- Wheel hgt. adj.	2
5	JA-99364-0	WHEEL & TIRE	2
6	JA-99365-8	SPRING- Index (left front)	1
	JA-99365-7	SPRING- Index (right front)	1
7	JA-33662-3	KNOB- Index spring	4
8	JA-99372-0	NUT- Hex flange (5/16-16)	2
9	*JA-99395-0	DECK- 20" P.P. Includes:	1
10	*JA-99409-0	DECAL- Warning	1
11	*JA-33946-0	DECAL- CPSC warning	1
12	*JA-99368-3	DECAL- 20" Mulcher	1
13	04098	ADAPTOR BLADE	1
14	JA-40887-6	SCREW- Thd. forming (3/8-16 x 1 1/2")	3
15	JA-40887-6	SCREW- Hex washer (1/4-20 x 3/4")	5
16	JA-33664-4	DEFLECTOR REAR	1
17	JA-35836-2	SPACER- Wheel ht. adj.	2
18	84001	WASHER- (5/16")	2
19	A-04297	BLADE- Mulcher Kit	1
20	JA-44614-2	WASHER- Lock (3/8")	1
21	JA-40120-9	SCREW- Hex hd. (3/8-24 x 2")	1
22	JA-99367-3	DRIVE WHEEL	2
23	JA-99480-1	PINION (L.H.)	1
	JA-99480-0	PINION (R.H.)	1

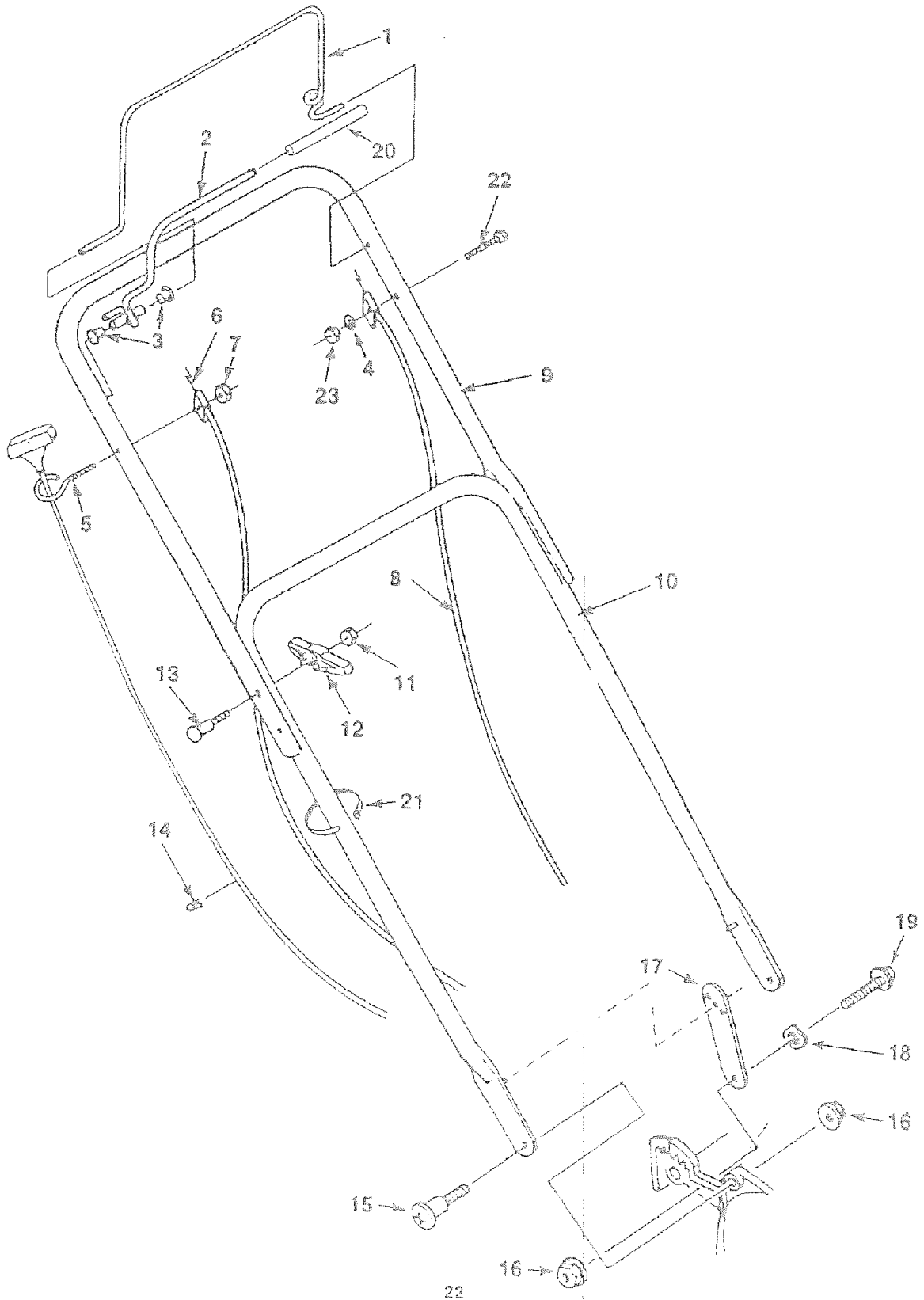
NO.	PART NO.	DESCRIPTION	QTY.
24	JA-99474-0	PIN- Drive	2
25	JA-35107-7	WASHER	2
26	JA-99007-4	SUPPORT- Drive wheel	2
27	JA-99365-6	SPRING- Index (left rear)	1
	JA-99365-5	SPRING- Index (right rear)	1
28	JA-35914-1	SPACER- Rear ht. adj.	2
29	JA-35946-9	SPRING	1
30	JA-35923-0	BRACKET	1
31	JA-99181-9	PULLEY- Drive	1
32	JA-42250-5	SCREW- Set (1/4-20 x 3/8")	1
33	**	GEAR REDUCER (Not a service part. See breakdown.)	1
34	JA-37574-8	SPRING	1
35	03986	BELT- Drive	1
36	JA-39507-6	COVER- Drive	1
37	JA-45845-1	EATON RING	1
38	JA-35340-6	WASHER	2
39	JA-32814-7	WASHER	A/R
40	JA-45403-7	WASHER- Spring	2
41	JA-41691-1	SCREW- Thd. rolling	1
42	JA-89053-3	CABLE- Traction	1
43	JA-35950-0	WASHER- Hardened	2
44	JA-99367-2	DECAL- Power propelled	1
45	JA-46136-1	PIN- Roll	1
46	JA-99496-3	PLATE- Backing	1
47	JA-46302-9	KEY- Woodruff	2
48	JA-99497-1	CLAMP- Traction cable	1
49	143.424352	ENGINE	1

* Assembly

**NOTE: See page 24 for Gear Reducer breakdown.
NOT ILLUSTRATED: OWNERS MANUAL 18716

SEARS CRAFTSMAN 20" GAS ROTARY MULCHING MOWER 517.372520
ENGINE MODEL 143.424352

REPAIR PARTS

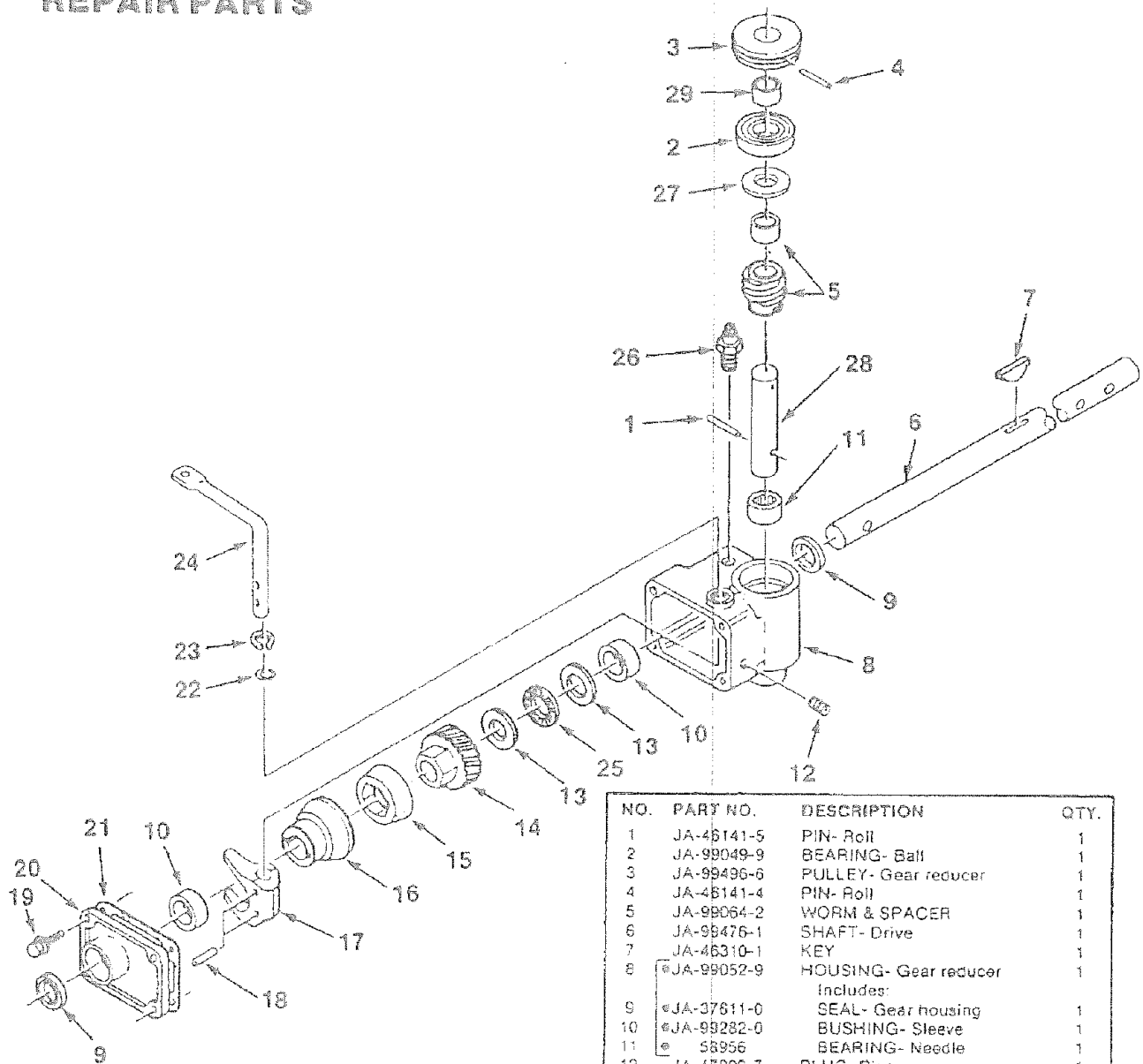


SEARS CRAFTSMAN 20" GAS ROTARY MULCHING MOWER 517.372520
 ENGINE MODEL 143.424352
REPAIR PARTS LIST

NO.	PART NO.	DESCRIPTION	QTY.
1	JA-99385-0	OPERATOR PRESENCE CONTROL BAR	1
2	JA-99386-0	DRIVE CONTROL LEVER	1
3	JA-99367-0	BUSHING- Drive control	2
4	JA-99373-1	WASHER- Ext. lock	1
5	JA-99195-2	EYEBOLT- (1/4-20)	1
6	JA-99053-3	CABLE- Traction	1
7	JA-99370-1	NUT- Hex c/lock (1/4-20)	1
8	JA-99058-7	CABLE- Engine control	1
9	JA-99363-8	HANDLE- Upper	1
10	JA-99410-0	HANDLE- Lower w/Pin	1
11	JA-44310-6	NUT- Hex (5/16-18)	2
12	JA-33955-0	HANDLE- Knob	2
13	JA-35910-2	BOLT- Handle joining	2
14	JA-99056-7	STOP- Rope	1
15	JA-99370-0	BOLT- Handle mtg.	2
16	JA-99372-0	NUT- Hex flange (5/16-18)	4
17	JA-35923-9	SUPPORT	2
18	JA-45402-5	WASHER	2
19	JA-99371-0	BOLT- Handle support	2
20	JA-99368-2	SLEEVE- Drive control	1
21	JA-99163-6	TIE- Plastic	1
22	JA-99373-5	SCREW- (1/4-20 x 1 1/2")	1
23	JA-99373-0	NUT- (1/4-20)	1



SEARS CRAFTSMAN 20" GAS ROTARY MULCHING MOWER 517.372520
 ENGINE MODEL 143.424352
 REPAIR PARTS

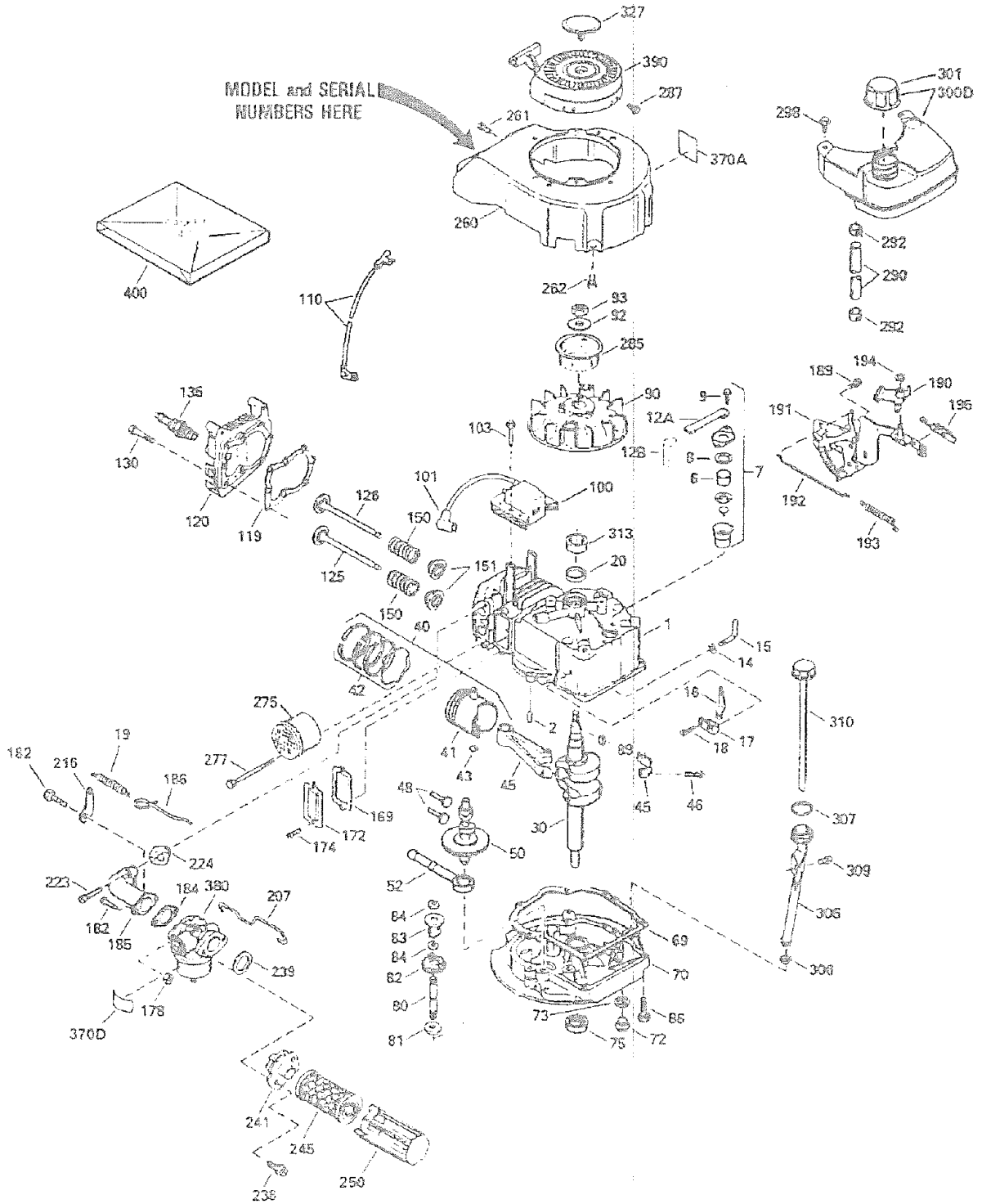


NO.	PART NO.	DESCRIPTION	QTY.
1	JA-46141-5	PIN- Roll	1
2	JA-99049-9	BEARING- Ball	1
3	JA-99496-6	PULLEY- Gear reducer	1
4	JA-46141-4	PIN- Roll	1
5	JA-99064-2	WORM & SPACER	1
6	JA-99476-1	SHAFT- Drive	1
7	JA-46310-1	KEY	1
8	JA-99052-9	HOUSING- Gear reducer	1
		Includes:	
9	JA-37611-0	SEAL- Gear housing	1
10	JA-99282-0	BUSHING- Sleeve	1
11	58956	BEARING- Needle	1
12	JA-47200-7	PLUG- Pipe	1
13	JA-99044-6	BEARING- Race	2
14	JA-99277-0	GEAR- Helical	1
15	JA-99278-0	CONE- Friction	1
16	JA-99021-7	DRUM- Clutch	1
17	JA-99015-3	FORK- Shift	1
18	JA-45133-0	PIN- Groove	2
19	JA-40888-2	SCREW- (1/4-20 x 7/8")	4
20	JA-99016-8	COVER- Gear reducer	1
		Includes:	
	JA-37611-0	SEAL- Gear housing (see #9)	1
	JA-99282-0	BUSHING- Sleeve (see #10)	1
21	JA-37594-8	GASKET	1
22	JA-45903-7	"O"-RING	1
23	JA-45809-4	RING	1
24	JA-99414-0	LEVER- Shift	1
25	JA-99044-7	BEARING- Thrust	1
26	JA-99041-5	VENT	1
27	JA-99046-3	WASHER	1
28	JA-99052-6	SHAFT- Worm	1
29	JA-35923-1	SPACER	1

Ⓢ Assembly



SEARS CRAFTSMAN 20" GAS ROTARY MULCHING MOWER 517.372520
 ENGINE MODEL 143.424352
REPAIR PARTS



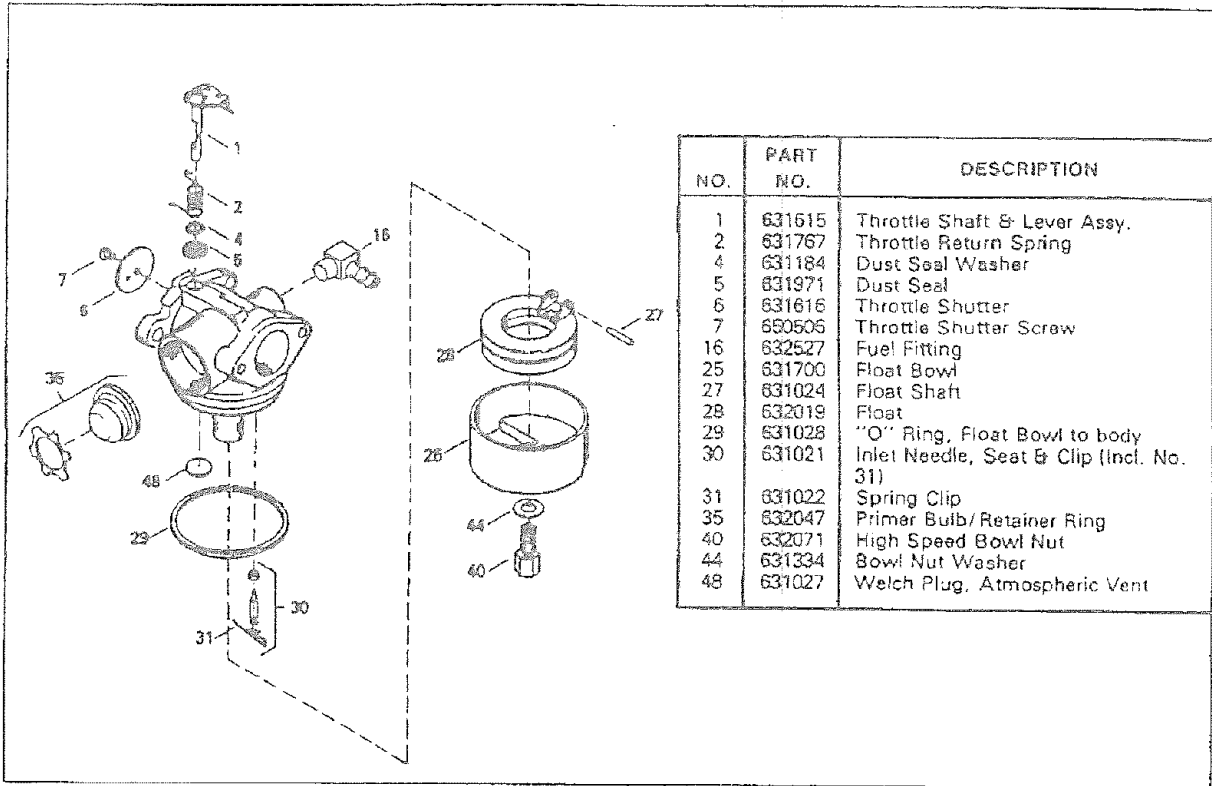
**SEARS CRAFTSMAN 20" GAS ROTARY MULCHING MOWER 517.372520
REPAIR PARTS LIST ENGINE MODEL 143.424352**

Ref. No.	Part No.	Part Name	Ref. No.	Part No.	Part Name
1	35010	Cylinder Assy. (Incl. Nos. 2 & 20)	150	31672	Spring, Valve
2	26727	Pin, Dowel	151	31673	Cap, Lower valve spring
6	33734	Element, Breather	169	*27234A	Gasket, Valve spring box
7	34214A	Breather Assy. (Incl. Nos. 6, 8, 9, 12A & 12B)	172	32755	Cover, Valve spring box
8	*33735	Gasket, Breather	174	650128	Screw, Hex hd. Sems, 10-24 x 1/2
9	30200	Screw, Hex washer hd. self-tap Sems, 10-24 x 9/16	178	29752	Nut & Lockwasher, 1/4-28
12A	34695	Elbow, Braather tube	182	6201	Screw, Hex hd., 1/4-28 x 7/8
12B	33886	Tube, Breather	184	*26755	Gasket, Carburetor
14	28277	Washer, Flat	185	31384A	Pipe, Intake (Incl. No. 224)
15	30589	Rod, Governor (Incl. No. 14)	186	32653	Link, Governor spring
16	31383A	Lever, Governor	189	650839	Screw, Hex washer hd. Powerlok, 1/4-20 x 3/8
17	31335	Clamp, Governor lever	190	35831	Lever, Brake
18	650548	Screw, Hex washer hd., 8-32 x 5/16	191	35040B	Bracket, S.E. Brake (Incl. No. 195)
19	31361	Spring, Extension	192	34956	Link, Control
20	32600	Seal, Oil	193	34965	Spring, Extension
30	35905	Crankshaft Assy.	194	32309	Ring, Retaining
40	35544	Piston, Pin & Ring Assy. (Std.) (Incl. Nos. 41, 42 & 43)	195	610973	Terminal Assy.
40	35545	Piston, Pin & Ring Assy. (.010 oversize) (Incl. Nos. 41, 42 & 43)	207	34336	Link-Throttle
40	35546	Piston, Pin & Ring Assy. (.020 oversize) (Incl. Nos. 41, 42 & 43)	216	33086	Lever, R.P.M. Adjusting
41	35541	Piston & Pin Assy. (Std.) (Incl. No. 43)	223	650451	Screw, Hex hd. Sems, 1/4-20 x 1
41	35542	Piston & Pin Assy. (.010 oversize) (Incl. No. 43)	224	*34690A	Gasket, Intake pipe
41	35543	Piston & Pin Assy. (.020 oversize) (Incl. No. 43)	238	650932	Screw, Hex washer hd. shoulder, 10-32 x 49/64
42	35547	Ring Set, Piston (Std.)	239	*34338	Gasket, Air cleaner
42	35548	Ring Set, Piston (.010 oversize)	241	35797	Collar, Air cleaner
42	35549	Ring Set, Piston (.020 oversize)	245	35066	Filter, Air cleaner (Paper)
43	20381	Ring, Piston pin retaining	250	35065	Cover, Air cleaner
45	32875	Rod Assy., Connecting (Incl. No. 46)	260	35393	Housing, Blower
46	32610A	Bolt, Connecting rod	261	30200	Screw, Hex washer hd. self-tap Sems, 10-24 x 9/16
48	27241	Valve, Lifter	262	650831	Screw, Hex washer hd. Powerlok thread, 1/4-20 x 15/32
50	33148A	Camshaft (Mech. Compression Release)	275	35708	Muffler Assy. (Incl. No. 277)
52	29914	Pump Assy., Oil	277	650795	Screw, Hex hd., 1/4-20 x 2-1/4
69	*35261	Gasket, Mounting flange	285	35000	Hub, Starter
70	34311C	Flange, Mounting (Incl. Nos. 72, 73, 75 & 80)	287	650884	Screw, Hex washer hd., 8-32 x 1/2
72	30572	Plug, Oil drain (Incl. No. 73)	290	30705	Line, Fuel
73	*28833	Gasket, Oil plug (Not required with plastic oil plug)	292	26460	Clamp, Fuel line
75	27897	Seal, Oil	298	28763	Screw, Hex washer hd. shakeproof, 10-32 x 35/64
80	30574	Shaft, Governor	300D	34369A	Tank Assy. (Incl. Nos. 292 & 301)
81	30590A	Washer, Flat	301	35355	Cap, Fuel
82	30591	Gear Assy., Governor (Incl. No. 81)	305	35577	Tube, Oil fill
83	30588A	Spool, Governor	306	*34265	Gasket, Fill tube
84	29193	Ring, Retaining	307	35499	"O" Ring
86	650488	Screw, Hex hd. Sems, 1/4-20 x 1-1/4	308	650562	Screw, Hex washer hd. shakeproof, 10-32 x 1/2
89	611004	Key, Flywheel	310	35578	Dipstick, Oil fill
90	611112	Flywheel	313	34080	Spacer, Flywheel key
92	650815	Washer, Belleville	327	35392	Plug, Starter
93	650816	Nut, Flywheel	370A	34346	Decal, Instruction
100	34443A	Solid State Assy.	370D	34144	Decal, Primer
101	610118	Cover, Spark plug	380	632569	Carburetor (Incl. No. 184)
103	650814	Screw, Torx T-15 hex washer hd. Sems, 10-24 x 1	390	590686	Starter, Rewind
110	34961	Wire, Ground	400	36207	Gasket Set (Incl. items marked *)
119	*33015A	Gasket, Cylinder head			RPM Setting: High Speed: 3300-3500
120	34342	Head, Cylinder			*Indicates Parts Included in Gasket Set, Ref. No. 400.
125	29313C	Valve, Exhaust (Std.) (Incl. No. 151)			
125	29315C	Valve, Exhaust (1/32" oversize) (Incl. No. 151)			
126	29314B	Valve, Intake (Std.) (Incl. No. 151)			
126	29315C	Valve, Intake (1/32" oversize) (Incl. No. 151)			
130	6021A	Screw, Hex flange hd., 5/16-18 x 1-1/2			
135	35395	Spark Plug, Resistor (Champion RJ-19LM or equivalent)			



CARBURETOR NO. 632569

ENGINE MODEL NUMBER 143.424352



REWIND STARTER NO. 590621

