

54" Lehr™ II

A Kichler® Decor™ ceiling fan



Includes our new
CoolTouch™ 6 Speed DC Control System
Looks permanent, but goes wherever you go!
U.S. Patent Pending



KICHLER®

Kichler® Lighting
KICHLER LIGHTING LLC
30455 SOLON RD.
SOLON, OH 44139 USA

Customer Service
866.558.5706
8:30 AM to 5:00 PM EST,
Monday - Friday

KICHLER®

Instruction Manual
Model: 310112

READ AND SAVE THESE INSTRUCTIONS

1. SAFETY RULES

1. **CAUTION** - To reduce the risk of electric shock, insure electricity has been turned off at the circuit breaker or fuse box before beginning.
2. **WARNING:** All wiring must be in accordance with the National Electrical Code and local electrical codes. Electrical installation should be performed by a qualified licensed electrician.
3. **WARNING:** To reduce the risk of electric shock, this fan must be installed with a general-use, isolating wall control/switch.
4. **WARNING:** Not Suitable for use with solid-state speed controls.
5. **WARNING:** To reduce the risk of fire, electric shock, or personal injury, mount to outlet box marked "acceptable for fan support of 15.8 kg (35 lbs.) or less" and use mounting screws provided with the outlet box. Most outlet boxes commonly used for the support of light fixtures are not acceptable for fan support and may need to be replaced. Due to the complexity of the installation of this fan, a qualified licensed electrician is strongly recommended.
6. The outlet box and support structure must be securely mounted and capable of reliably supporting a minimum of 50 pounds. Use only ETL Listed outlet boxes marked "FOR FAN SUPPORT".
7. The fan must be mounted with a minimum of 7 feet clearance from the trailing edge of the blades to the floor.
8. To operate the reverse function on this fan, press the reverse button while the fan is running.
9. **WARNING:** Use only with light kit marked "Suitable for Use in Wet Locations".
10. Avoid placing objects in the path of the blades.
11. To avoid personal injury or damage to the fan and other items, be cautious when working around or cleaning the fan.
12. Do not use water or detergents when cleaning the fan or fan blades. A dry dust cloth or lightly dampened cloth will be suitable for most cleaning.
13. After making electrical connections, spliced conductors should be turned upward and pushed carefully up into outlet box. The wires should be spread apart with the grounded conductor and the equipment- grounding conductor on one side of the outlet box and the ungrounded conductor on the other side of the outlet box.
14. Electrical diagrams are reference only. Light kits that are not packed with the fan must be ETL Listed and marked suitable for use with the model fan you are installing. Switches must be ETL General Use Switches. Refer to the Instructions packaged with the light kits and switches for proper assembly.

WARNING
TO REDUCE THE RISK OF FIRE, ELECTRIC SHOCK OR PERSONAL INJURY, MOUNT FAN TO OUTLET BOX MARKED "ACCEPTABLE FOR FAN SUPPORT".

WARNING
TO REDUCE THE RISK OF PERSONAL INJURY, DO NOT BEND THE BLADE BRACKETS (ALSO REFERRED TO AS FLANGES) DURING ASSEMBLY OR AFTER INSTALLATION. DO NOT INSERT OBJECTS IN THE PATH OF THE BLADES.

The net weight of this fan is:
N.W.: 14.0 kgs (30.86 LBS),
G.W.: 15.0 kgs (33.06 LBS).

1. SAFETY RULES (continued)

WARNING

- **INGESTION HAZARD:** This product contains a button cell or coin battery.
- **DEATH** or serious injury can occur if ingested.
- A swallowed button cell or coin battery can cause **Internal Chemical Burns** in as little as **2 hours**.
- **KEEP** new and used batteries **OUT OF REACH of CHILDREN**.
- **Seek immediate medical attention** if a battery is suspected to be swallowed or inserted inside any part of the body.
- Remove and immediately recycle or dispose of used batteries according to local regulations and keep away from children. Do NOT dispose of batteries in household trash or incinerate.
- Even used batteries may cause severe injury or death.
- Call a local poison control center for treatment information.
- Battery Type: CR2032 and Nominal Battery Voltage: 3V.
- Non-rechargeable batteries are not to be recharged.
- Do not force discharge, recharge, disassemble, heat above 40° C or incinerate. Doing so may result in injury due to venting, leakage or explosion resulting in chemical burns.
- Ensure the batteries are installed correctly according to polarity (+ and -).
- Do not mix old and new batteries, different brands or types of batteries, such as alkaline, carbon-zinc, or rechargeable batteries.
- Remove and immediately recycle or dispose of batteries from equipment not used for an extended period of time according to local regulations.
- Always completely secure the battery compartment. If the battery compartment does not close securely, stop using the product, remove the batteries, and keep them away from children.



1. NORMAS DE SEGURIDAD (continuación)

AVERTISSEMENT

- **RISQUE D'INGESTION** : Ce produit contient une pile bouton.
- La **MORT** ou des blessures graves peuvent survenir en cas d'ingestion.
- Une pile bouton avalée peut provoquer des **brûlures chimiques internes** en **2 heures** seulement.
- **GARDER** les piles neuves et usagées **HORS DE LA PORTÉE DES ENFANTS**.
- **Consultez immédiatement un médecin** si vous soupçonnez qu'une pile a été avalée ou insérée dans une partie du corps.
- Retirer et recycler ou jeter immédiatement les piles usagées conformément aux réglementations locales et les garder hors de portée des enfants. **NE PAS** jeter les piles avec les ordures ménagères ni les incinérer.
- Même les piles usagées peuvent provoquer des blessures graves, voire la mort.
- Appeler un centre antipoison local pour obtenir des informations sur le traitement.
- Type de pile : CR2032 et tension nominale de la pile : 3 V.
- Ne pas recharger les piles non rechargeables.
- Ne pas forcer la décharge, la recharge, le démontage, la chaleur au-dessus de 40°C ni l'incinération. Le non-respect de ces consignes peut entraîner des blessures dues à une ventilation, une fuite ou une explosion entraînant des brûlures chimiques.
- S'assurer que les piles sont installées correctement en fonction de la polarité (+ et -).
- Ne pas mélanger des piles anciennes avec des piles neuves, des marques ou des types de piles, tels que des piles alcalines, carbone-zinc ou rechargeables.
- Retirer et recycler ou jeter immédiatement les piles des équipements non utilisés pendant une période prolongée, conformément aux réglementations locales.
- Toujours bien sécuriser le compartiment des piles. Si le compartiment des piles ne se ferme pas correctement, ne plus utiliser le produit, retirer les piles et les garder hors de portée des enfants.



1. RÈGLES DE SÉCURITÉ (suite)

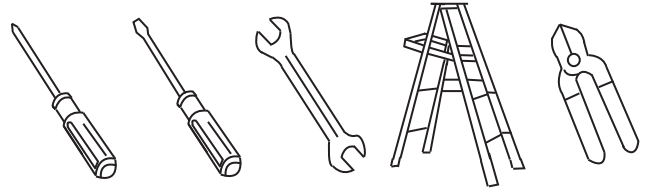
ADVERTENCIA

- **PELIGRO DE INGESTIÓN:** Este producto contiene una pila tipo botón o tipo moneda.
- En caso de ingestión puede producirse la **MUERTE** o lesiones graves.
- La ingestión de una pila tipo botón o tipo moneda puede provocar **Quemaduras Químicas Internas** en tan sólo **2 horas**.
- **MANTENGA** las pilas nuevas y usadas **FUERA DEL ALCANCE DE LOS NIÑOS**.
- **Acuda inmediatamente a un médico** si sospecha que se ha tragado o introducido una pila en cualquier parte del cuerpo.
- Retire las pilas usadas y recíclelas o deséchelas inmediatamente de acuerdo con la reglamentación local y manténgalas fuera del alcance de los niños. **NO** deseche las pilas en la basura de su casa ni las incinere.
- Incluso las pilas usadas pueden causar lesiones graves o la muerte.
- Llame a un centro de control de intoxicaciones local para obtener información sobre el tratamiento.
- Tipo de pila: CR2032 y Voltaje nominal de la pila: 3V.
- Las pilas no recargables no deben recargarse.
- No fuerce la descarga, recargue, desarme, caliente por encima de 40° C ni incinere. De lo contrario, podrían producirse lesiones debido a venteo, fugas o explosiones que provoquen quemaduras químicas.
- Asegúrese de que las pilas estén instaladas correctamente según la polaridad (+ y -).
- No mezcle pilas nuevas y usadas, ni pilas de marcas o tipos diferentes, como pilas alcalinas, de carbono-zinc o recargables.
- Retire e inmediatamente recicle o deseche las pilas de los equipos que no haya utilizado durante un período prolongado de tiempo de acuerdo con las regulaciones locales.
- Asegure siempre completamente el compartimento de las pilas. Si el compartimento de las pilas no cierra bien, deje de utilizar el producto, retire las pilas y manténgalas fuera del alcance de los niños.



2. TOOLS AND MATERIALS REQUIRED

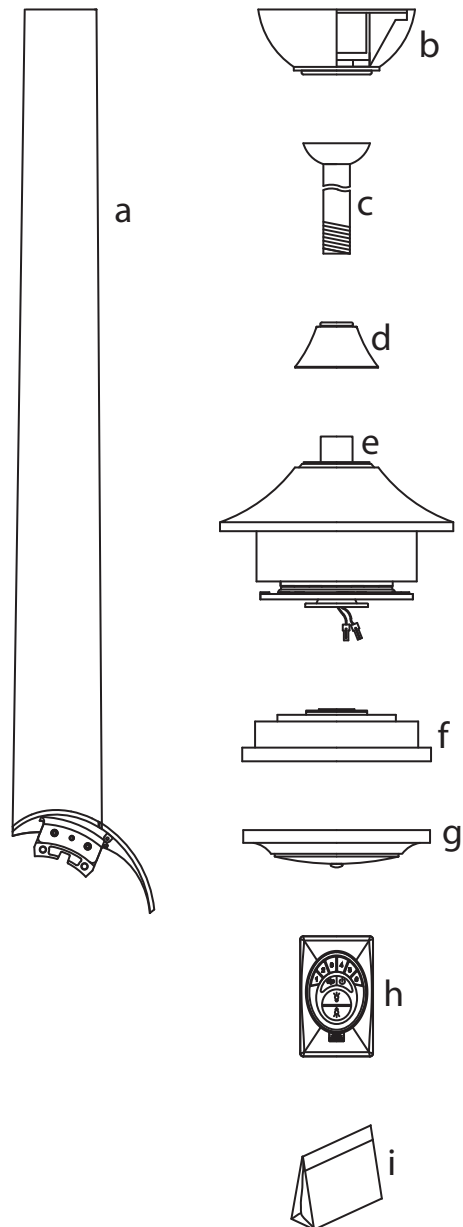
- Philips screw driver
- Blade screw driver
- 11 mm wrench
- Step ladder
- Wire cutters



3. PACKAGE CONTENTS

Unpack your fan and check the contents. You should have the following items:

- a. Fan blade assembly (7)
- b. Canopy & Ceiling mounting bracket
- c. Ball/downrod assembly
- d. Coupling cover
- e. Fan motor assembly
- f. Mounting plate
- g. Motor bottom housing
- h. CoolTouch™ Control System
- i. Part bag contents
 - 1) Mounting hardware:
 - wire nuts (3)



4. MOUNTING OPTIONS

If there isn't an existing ETL listed mounting box, then read the following instructions. Disconnect the power by removing fuses or turning off circuit breakers.

Secure the outlet box directly to the building structure. Use appropriate fasteners and building materials. The outlet box and its support must be able to fully support the moving weight of the fan (at least 50 lbs). Do not use plastic outlet boxes.

Figures 1, 2 and 3 are examples of different ways to mount the outlet box.

NOTE: If you are installing the ceiling fan on a sloped (vaulted) ceiling, you may need a longer downrod to maintain proper clearance between the tip of the blade and the ceiling. A minimum clearance of 12" is suggested for optimal operation.

NOTE: Depending on the location you have selected for installation, you may need to purchase and install a "Joist Hanger" for the support of the outlet box. Make sure the joist hanger you purchase has been designed for use with ceiling fans. (Fig. 4)

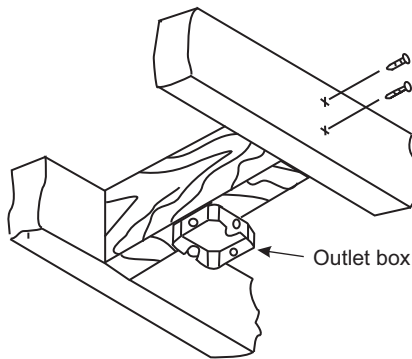


Fig. 1

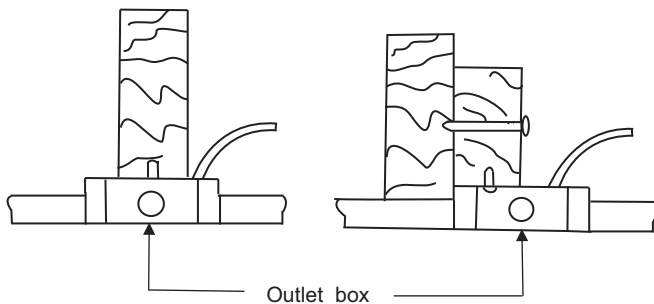


Fig. 2

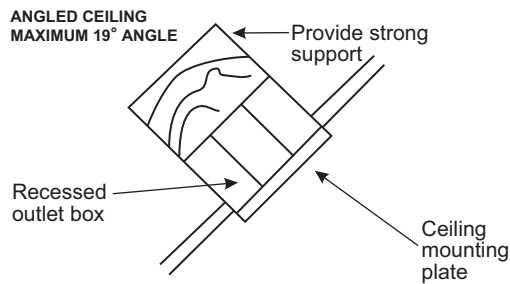


Fig. 3

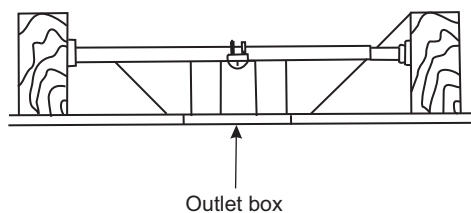


Fig. 4

5. HANGING THE FAN

REMEMBER to turn off the power before you begin.

To properly install your ceiling fan, follow the steps below.

Step 1. Remove the decorative canopy bottom cover from the canopy by turning the cover counter clockwise. (Fig. 5)

Step 2. Remove the ceiling mounting bracket from the canopy by removing (and save one of the two screws). Loosen the remaining screw by a half turn. (Fig. 5)

Step 3. Pass the 120 volt supply wires from the ceiling outlet box through the center of the ceiling mounting bracket. (Fig.6)

Step 4. Attach the ceiling mounting bracket to the outlet box using the screws and washers included with the outlet box. (Fig. 6)

Step 5. Remove the hanger ball from the downrod assembly by loosening the set screw, removing the cross pin and unscrewing the ball off the rod. (Fig.7)

Step 6. Loosen the two set screws and remove the hitch pin and retaining clip from the coupling on top of the motor assembly. (Fig. 8)

Step 7. Carefully feed the electrical lead wires from the fan up through the downrod. Thread the downrod into the coupling until the Hitch pin holes are aligned.

Next, replace the hitch pin and retaining clip. Tighten both set screws. (Fig. 8)

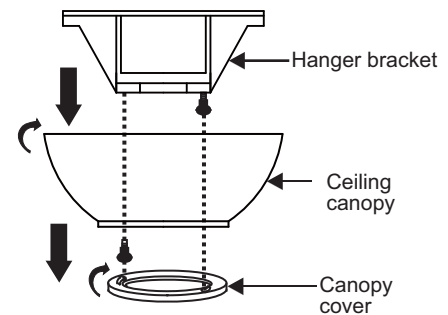


Fig. 5

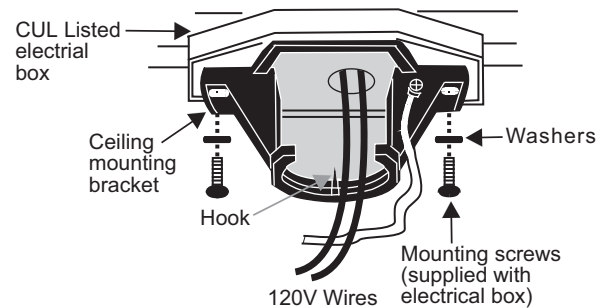


Fig. 6

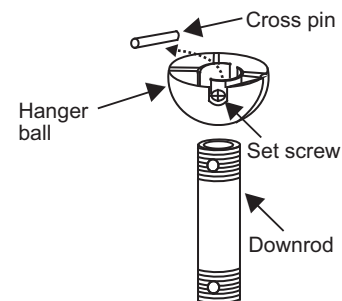


Fig. 7

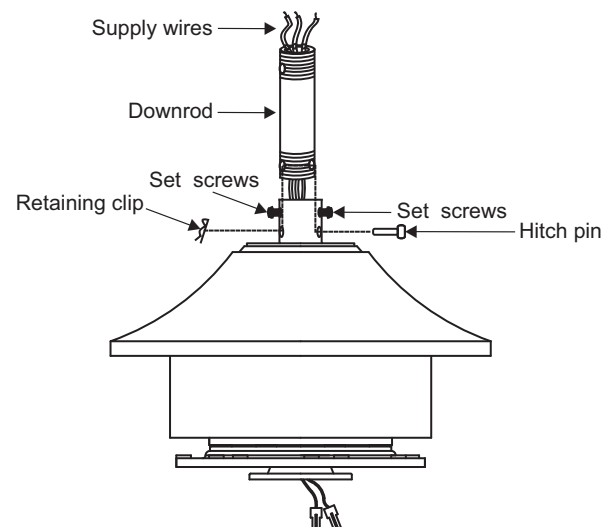


Fig. 8

Step 8. Slip the coupling cover, canopy cover and canopy onto the downrod.

Thread the hanger ball onto the downrod, insert the cross pin through the downrod and tighten. Now tighten the set screw. (Fig. 9)

Step 9. Lift the motor assembly into position and place the hanger ball into the ceiling mounting bracket.

Rotate the entire assembly until the "Check Tab" has dropped into the "Registration Slot" and seats firmly. (Fig. 10)

The entire motor assembly should not rotate (left or right) when seated properly.

WARNING: Failure to reattach the cross pin and seat the "Check Tab" can cause the fan to fall from the ceiling during operation. Take special care to make sure this pin is reattached.

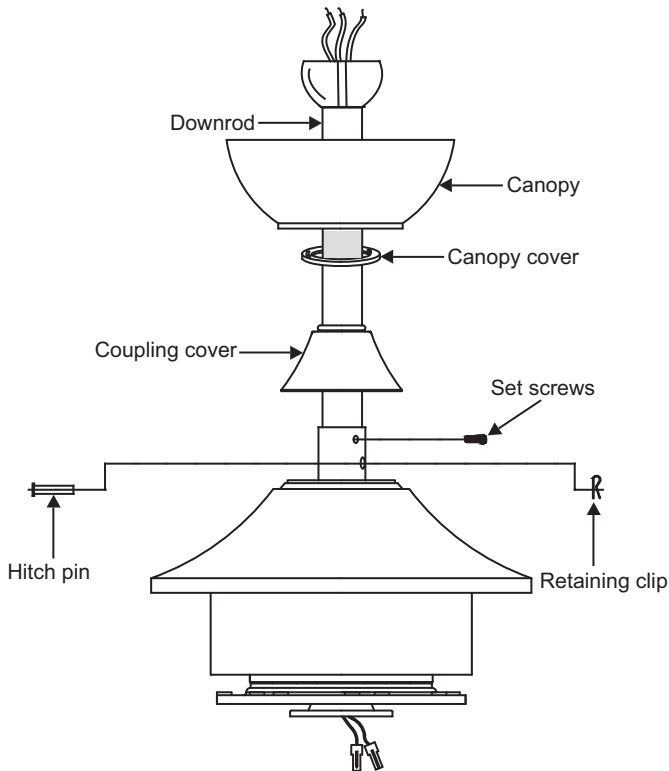


Fig. 9

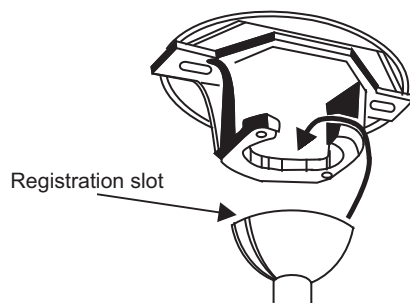


Fig. 10

6. INSTALLATION OF SAFETY SUPPORT (required for Canadian installation ONLY)

A safety support cable is provided to help prevent the ceiling fan from falling, please install it as follows.

Step 1. Attach the wood screw and washers to the ceiling joist next to the mounting bracket but do not tighten. (Fig. 11)

Step 2. Adjust the length of the safety cable to reach the screw and washers by pulling the extra cable through the cable clamp until the overall length is correct, put the end of the cable back through the cable clamp, forming a loop at the end of the cable. Tighten the cable clamp securely. Now, put the loop in the end of the safety cable over the wood screw and under the washer. Tighten the wood screw securely.

NOTE: Although the safety support cable is required for Canadian installations only. It's a good idea to make the attachment with any installation.

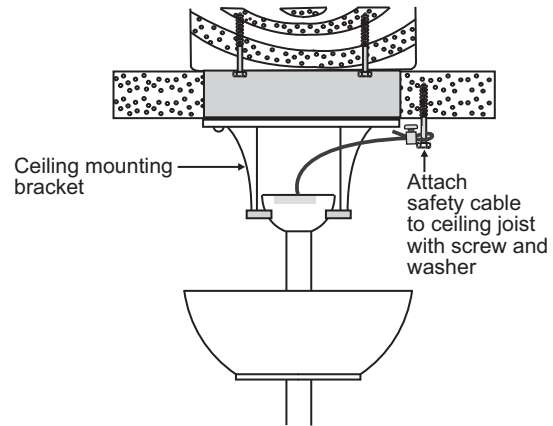


Fig. 11

7. ELECTRICAL CONNECTIONS

WARNING: To avoid possible electrical shock, be sure you have turned off the power at the main circuit panel.

Follow the steps below to connect the fan to your household wiring. Use the wire connecting nuts supplied with your fan. Secure the connectors with electrical tape. Make sure there are no loose wire strands or connections.

Step 1. Connect the fan supply (black) wire to the black household supply wire as shown in Figure 12.

Step 2. Connect the neutral fan (white) wire to the neutral household (white) wire.

Step 3. Connect the fan ground wire (green) to the household ground wire.

Step 4. After connecting the wires, spread them apart so that the green and white wires are on one side of the outlet box and the black and blue wires are on the other side.

Step 5. Turn the connecting nuts upward and push the wiring into the outlet box.

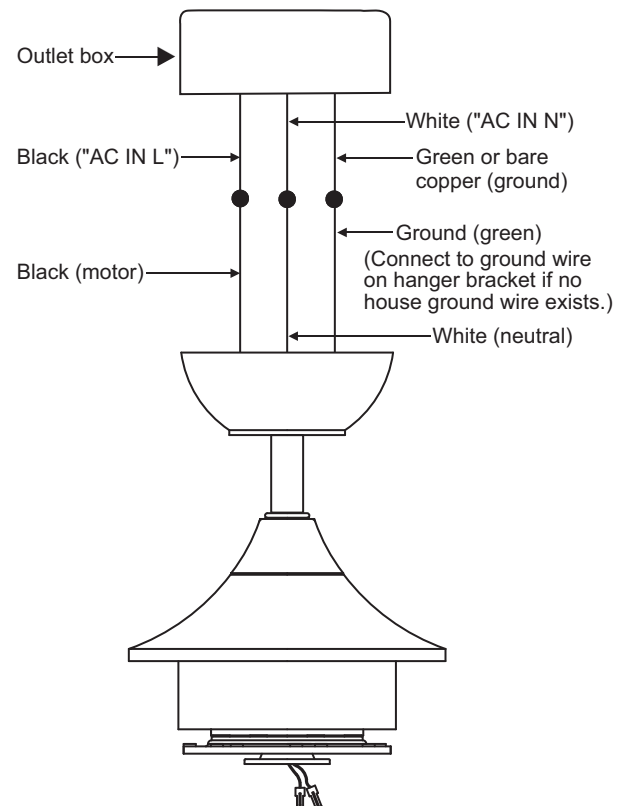
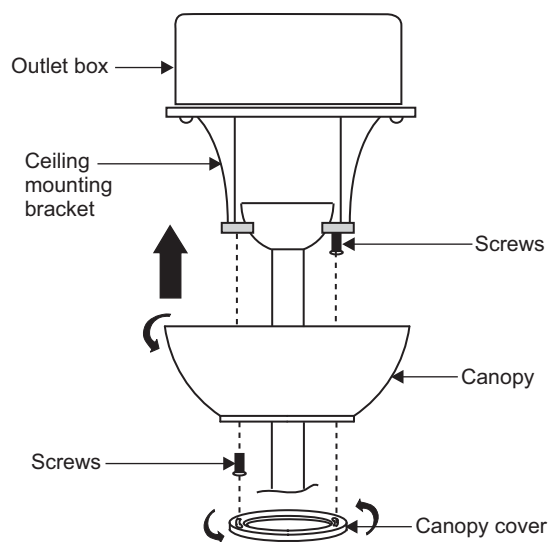


Fig. 12

**Fig. 13**

8. FINISHING THE INSTALLATION

Step 1. Tuck all the connections neatly into the ceiling outlet box.

Step 2. Slide the canopy up to the mounting bracket and place one of the key hole slots over the mounting screw on the mounting bracket. Rotate the canopy until the screw head locks in place at the narrow section of the key hole. See figure 13.

Step 3. Align the remaining circular hole on the canopy with the remaining hole on the Ceiling Mounting Bracket. Insert and tighten the mounting screw you removed earlier and the mounting screw from Step 2 above. Now, attach the canopy cover to the mounting screw heads by inserting the screw heads into the bottom side of the canopy cover and rotating the cover clockwise.

NOTE: Adjust the canopy screws as necessary until the canopy and canopy cover are snug. (Fig. 13)

Warning: Make sure the "Check Tab" at the bottom of the hanger bracket is properly seated in the "Registration Slot" on the side of the hanger ball before attaching the canopy to the bracket. Failure to properly seat the "Check Tab" could damage the electrical wires when to ceiling fan blade direction is changed while the fan is running.

9. ATTACHING THE FAN BLADES

Step 1 Attach the first blade assembly to the fan motor by lining up the slot of the blade assembly with the tab on the motor. Fasten the blade assembly to the motor using two screws and washer provided. (Fig. 14)

Step 2 Installing the second blade assembly to the fan motor; lining up the slot of the blade assembly with the tab on the motor, Insert the tab in the second blade assembly to the slot on the top of first blade assembly (see the drawing circled in Fig. 15)

Step 3 Follow the step 2 procedure for the remaining blade assemblies.

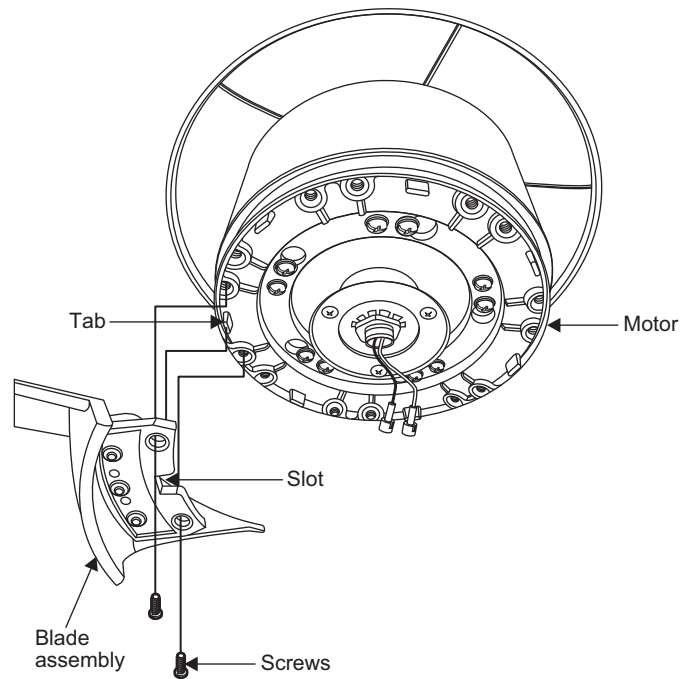


Fig. 14

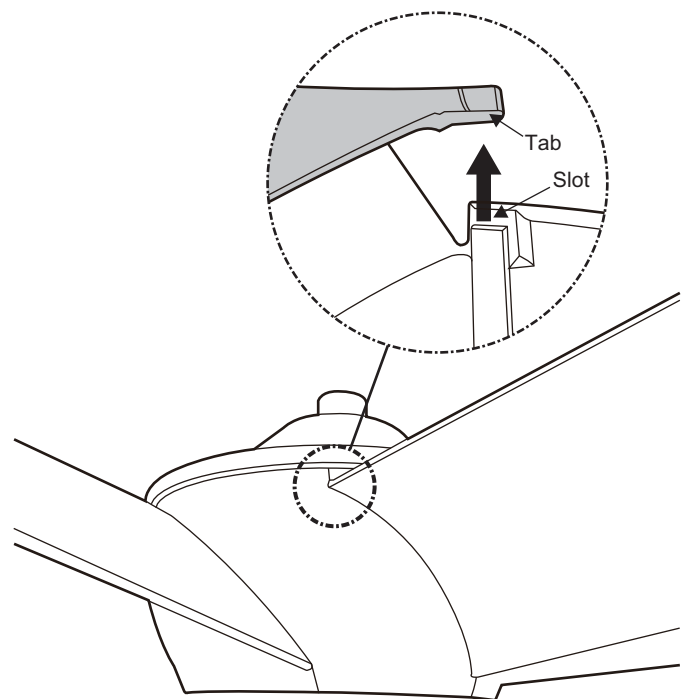


Fig. 15

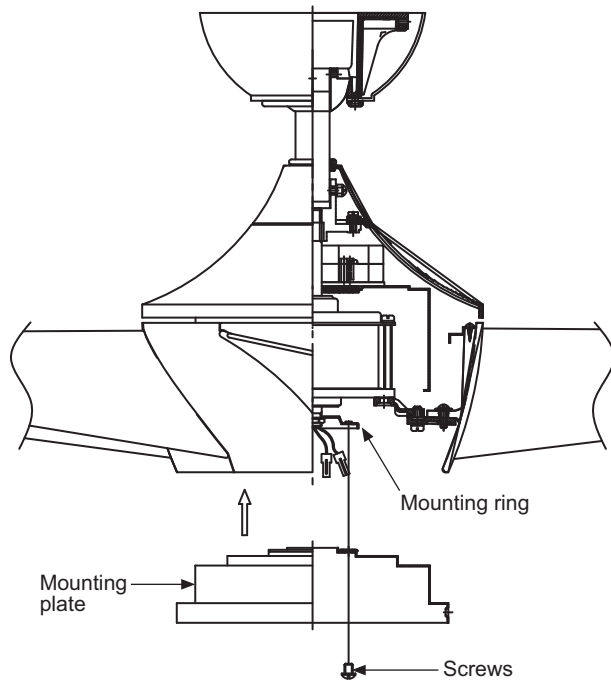


Fig. 16

10. INSTALLING THE MOUNTING PLATE

Step 1. Loosen the two screws on the mounting ring attached to the motor shaft and "remove" and save the third screw. (Fig. 16)

Step 2. Place the key holes on the mounting plate over the 2 screws previously loosened from the mounting ring, turn mounting plate until it locks in place at the narrow section of the key holes. Secure by tightening the 2 screws previously loosened and the one previously removed. (Fig. 16)

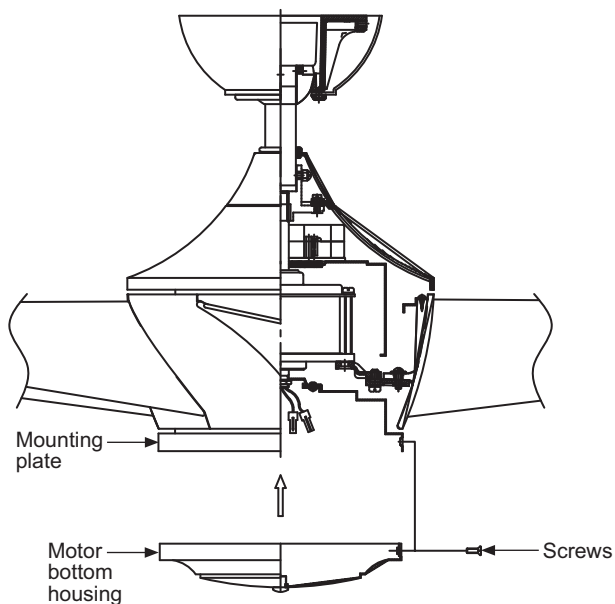


Fig. 17

11. INSTALLING THE MOTOR BOTTOM HOUSING

Step 1. Loosen the three mounting screws on the inside of the motor bottom housing. (Fig. 17)

Step 2. Place the key holes on the motor bottom housing over the 2 screws previously loosened from the mounting plate, turn the motor bottom housing until it locks in place at the narrow section of the key holes. Secure by tightening all three screws. (Fig.17)

12. CONTROL SYSTEM SET-UP

⚠ WARNING: Chemical Burn Hazard. Keep batteries away from children. This product contains a lithium button/coin cell battery. If a new or used lithium button/coin cell battery is swallowed or enters the body, it can cause severe internal burns and can lead to death in as little as 2 hours. Always completely secure the battery compartment. If the battery compartment does not close securely, stop using the product, remove the batteries, and keep it away from children. If you think batteries might have been swallowed or placed inside any part of the body, seek immediate medical attention.

- a) The cells shall be disposed of properly, including keeping them away from children; and
- b) Even used cells may cause injury.

Make sure the power is completely disconnected before you begin this procedure.

SPECIAL NOTE:

Your new Kichler® Ceiling Fan is State of the Art and employs a High Efficiency DC (direct current) Motor with an advanced CoolTouch™ Remote Control System. The DC Motor uses 70% less energy than a conventional ceiling fan AC Induction Motor. The DC motor is “Digitally” controlled and operates differently than conventional ceiling fans motors. *Please read this portion of the manual completely before proceeding.*

Our CoolTouch™ Control system includes an “Automatic Frequency Selection” feature. To set the control frequency and program the control system, follow these steps.

Open the back of the Transmitter. You need to use a screwdriver to open or close the battery cover (figure 18)

The Frequency Selector is a “Dip Switch Block” inside the Battery compartment of the Transmitter. (See figure 19) You change frequencies by arranging the small switches numbered 1 through 4 in a up or down position. 16 possible frequencies or combinations are possible.

The fifth switch, marked D and X sets the system for operation with Incandescent or Fluorescent Lamps. It is essential to set this switch correctly. If your ceiling fan is equipped with **Incandescent Lamps** set this switch to the **D Position**, for **Fluorescent Lamps**, set the switch to the **X Position**. If these settings are reversed, the lighting control system will operate erratically and could damage your ceiling fan.

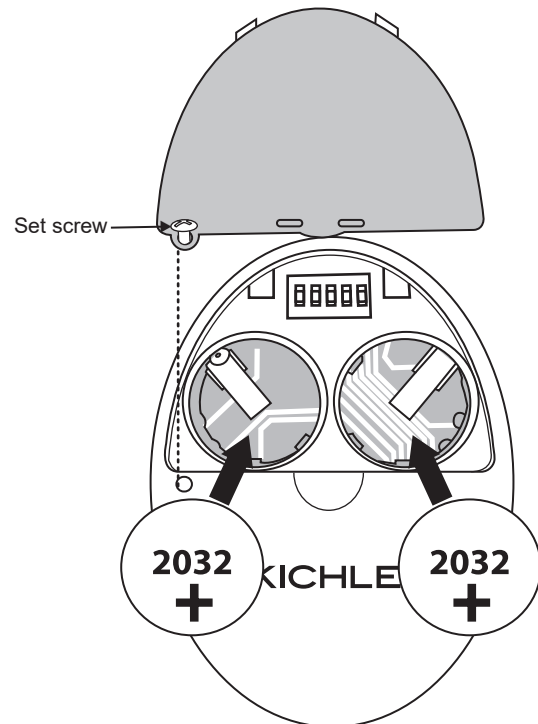


Fig. 18

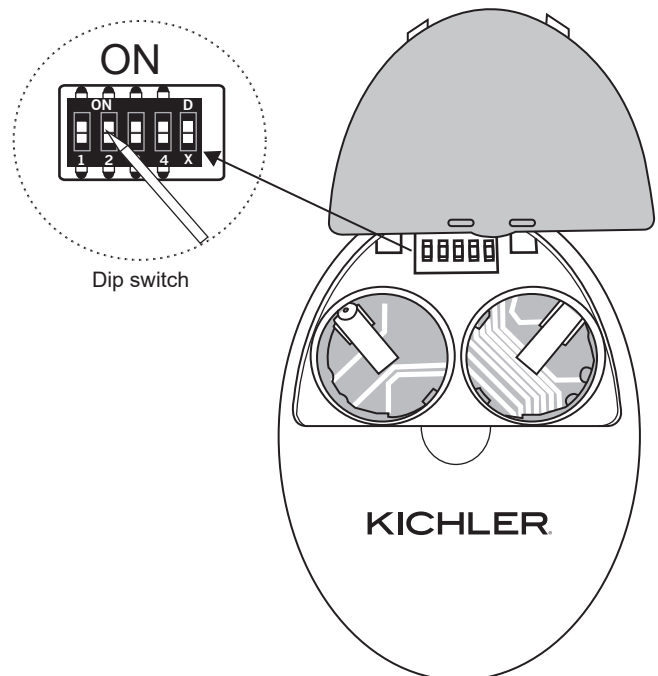


Fig. 19

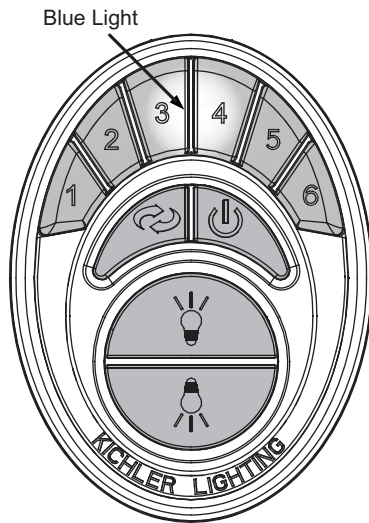


Fig. 20

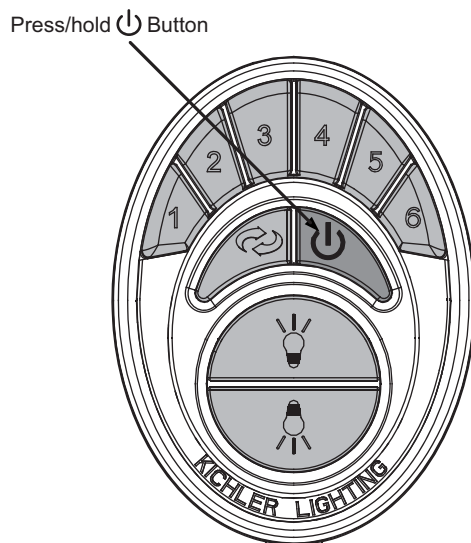


Fig. 21

System Programming: Read all of these steps ***BEFORE*** proceeding. Each step must be followed exactly to properly program the control system.

1. You can leave the frequency switches at the factory setting or move them to any combination of up or down. Use a small flat bladed screwdriver to move the switches.

2. Insert both batteries and make sure they are seated correctly in each recess with the Positive + sign facing up. Replace the battery cover. (Figure 18)

3. Test the transmitter by pushing and releasing ANY button briefly. A Blue Light should illuminate under the 3-4 buttons. (Fig. 20) If not, check to make sure the batteries are inserted and seated correctly.

Power Up and Programming:

4. Follow the below steps to set the remote control: The auto learning function will only mandate within 60 seconds when turning the fan's AC power ON. (Figure 21)

5. Select desired frequency from the back of transmitter.

6. From the back of the transmitter, press “⏻” power button for 3 to 5 seconds. Light will blink twice. The remote will now be programmed to your fan and ready for use.

Try different speed setting on wall control to ensure the fan is now fully functional. If programming is unsuccessful, retry the process starting from step 6 again.

IMPORTANT: Do not interrupt the conditioning until the fan comes to a complete stop in approximately 5 minutes. All functions of the control will be rejected during conditioning.

NOTE: The learning frequency function and self calibration test will continue to retain the last set frequency and calibration set even when the AC power is shut off. If the frequency is changed the self calibration test will occur again.

7. Your CoolTouch™ Control System is now programmed and ready for use. Please see the follow Operational Instructions.

The receiver provides the following protective function:

1. Lock position: The DC motor has a built-in safety against obstruction during operation. If there is an obstruction, the motor will stop and then the power will automatically go off in 30 seconds. Remove the obstruction and reset.

2. Over 80W protection: When the receiver detects motor power consumption which is greater than 80W, the receiver power will be stopped and operation will immediately discontinue. Wait for 5 seconds and then turn the receiver power back on.

13. OPERATING INSTRUCTIONS:

Figure 22

1. Buttons 1, 2, 3, 4, 5 and 6 are used to set the blade speed as follows:

- 1 = Low Speed
- 2 = Medium Low Speed
- 3 = Medium Speed
- 4 = Medium High Speed
- 5 = High Speed
- 6 = Extra High Speed

Figure 23

2. The "⏻" button:
This button turns the fan motor off and is also used in the program procedure.

3. The "💡" and "💡" button:
The "💡" button turns the upper light ON or OFF and also controls the brightness setting on some models. The "💡" button turns the bottom light ON or OFF and also controls the brightness setting.

Press and hold either button to set the desired brightness level. The next time you turn the light on, the system will remember this setting.

Press and release either button to turn the light ON or OFF.

Figure 24

4. The "↻" button is used to set the fan in forward or reverse operation. Each time you press this button the fan blades will reverse direction. This button functions ONLY when the fan blades are in motion.

OPERATIONAL NOTE: Each time you start the blades rotating, at any speed or reverse the direction of the blades the Control System will do a "Self Check" to insure operational integrity. The blades will rotate slowly a short distance (¼ turn), pause, change directions, rotate ¼ turn, then build up RPM'S to the selected speed. This is a perfectly normal procedure and insures normal operating performance.

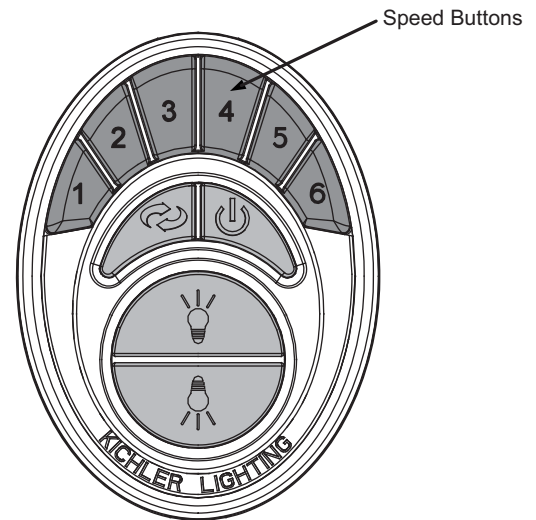


Fig. 22

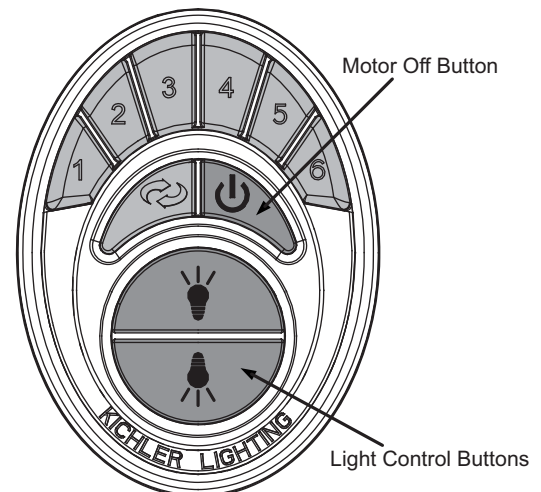


Fig. 23

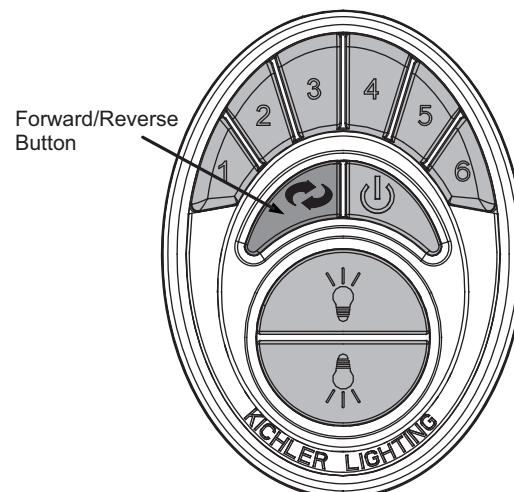


Fig. 24

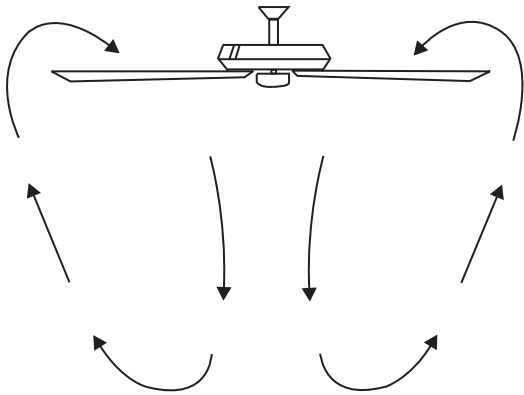


Fig. 25

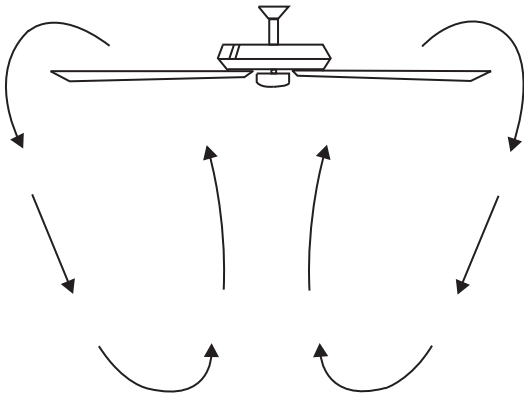


Fig. 26

NOTE: Please remember your control system is an RF (Radio Frequency) control system. You may occasionally experience control problems because of other radio frequency interference, i.e. fan turns off, light turns off or won't turn on, speed changes, etc. If this should happen, just change the "Control Frequency" by turning the power off and repeating steps 1 through 6 under System Programming.

Speed settings for warm or cool weather depend on factors such as the room size. Ceiling height, number of fans and so on.



Warm Weather Operation: Forward (counter clockwise) A downward airflow creates a cooling effect as shown in Fig. 25. This allows you to set your air conditioner on a warmer setting without affecting your general comfort.


Cool Weather Operation: Reverse (clockwise). An upward airflow moves warm air off the ceiling areas as shown in Fig. 26. This allows you to set your heating unit on a cooler setting without affecting your general comfort.


SENSOR DC CONTROL PAIRING PROCEDURES

IMPORTANT: Ceiling fan blades **MUST** be installed before pairing procedure can begin.

Step 1. Program the wall control and/or the handset control separately. Once the following pairing is successfully done, both the wall control and the handset control can be used for the fan.

For wall control, press the “” power button to turn off the wall control (the button will be up). Restore electricity to the ceiling fan branch circuit at the circuit breaker or fuse box. Within 60 seconds of turning on the power, press the “” power button to turn on the wall control (the button will be down), and

then press the “” reverse button for 3 to 5 seconds. Light will blink twice (if there is a light on the fan) and fan will run for approximately 2 minutes in the upward direction then reverse direction to down flow for additional 2 minutes. After that the fan will stop running. The remote will now be programmed to your fan and ready for use.

For handset control, restore electricity to the ceiling fan branch circuit at the circuit breaker or fuse box. Within 60 seconds of turning on the power, press  power button for 3 to 5 seconds. Light will blink twice (if there is a light on the fan) and fan will run for approximately 2 minutes in the upward direction then reverse direction to down flow for additional 2 minutes. After that the fan will stop running. The remote will now be programmed to your fan and ready for use.

IMPORTANT: Do not interrupt the conditioning until the fan comes to a complete stop in approximately 5 minutes. All functions of the control will be rejected during conditioning.

Step 2. Try different speed setting on both the wall control and the handset control to ensure the fan is now fully functional. If programming is unsuccessful, retry the process starting from step 1 again.

14. INSTALLING THE COOLTOUCH™ CONTROL SYSTEM WALL PLATE

NOTE: All wiring must be in accordance with the National Electrical Code and local electrical codes. Electrical installation should be performed by a qualified licensed electrician.

Select a location to install your CoolTouch™ Control System Transmitter. You can replace an existing wall switch or, install the transmitter on ANY flat surface.

Option 1: Install the control system using an existing wall switch outlet box. Make sure the electrical power is TURNED OFF at the main panel before continuing.

NOTE: Switch installation must comply with all local and national electric code.

Step 1. Remove the existing wall plate and the old switch from the wall outlet box. Wire nut the BLACK leads (hot) together and push back inside the outlet box. (Fig. 27)

Step 2. Install the metal plate and CoolTouch™ wall plate to the existing wall outlet box with 4 screws provided. Then place the two plastic plugs into the wall plate. (Fig. 28)

Option 2: Install the control system on ANY flat surface.

Select the desired location and use the CoolTouch™ wall plate to mark the location for the mounting holes. Use the dry wall anchors and/or screws provided and finish the installation.

15. INSTALLING THE TRANSMITTER

1. Insert the transmitter into the wall plate by inserting the bottom of the transmitter first and then press the top of the transmitter into the pocket. The transmitter will fully function from this location or you can remove the transmitter and use as a "Hand Held" device. (Fig. 29)

2. To remove the transmitter from the wall plate, push the release button and the transmitter will fall into your hand.

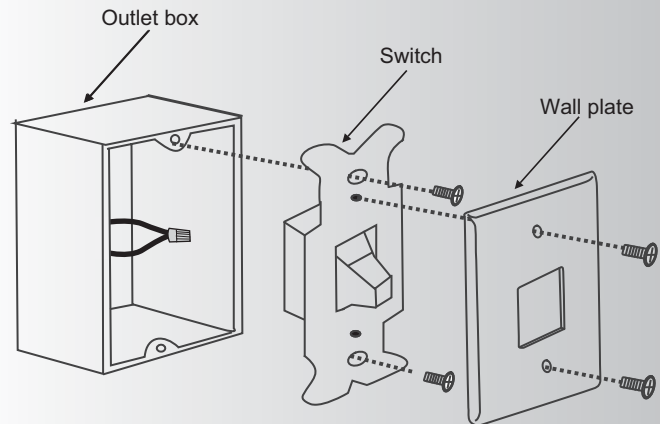


Fig. 27

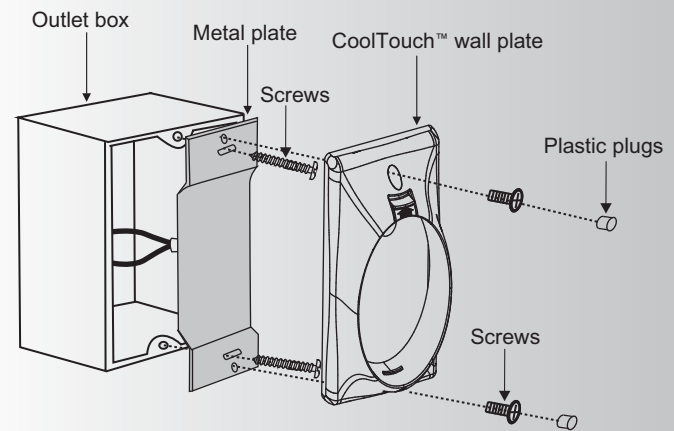


Fig. 28

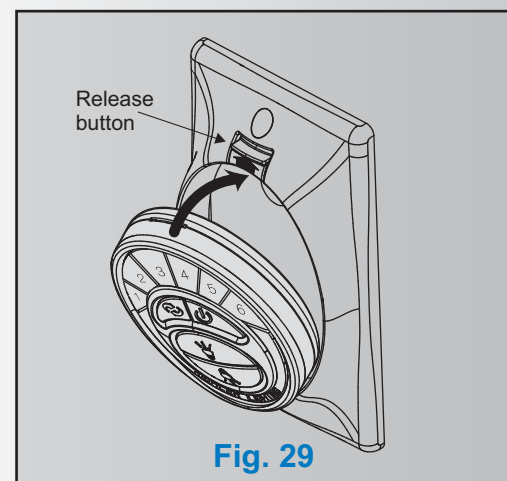


Fig. 29

16. TROUBLESHOOTING

Problem	Solution
Fan will not start.	<ol style="list-style-type: none">1. Check circuit fuses or breakers.2. Check all electrical connections to insure proper contact. CAUTION: Make sure the main power is OFF when checking any electrical connection.3. Make sure the transmitter batteries are installed properly. Positive (+) side facing out.4. Insure the batteries have a good charge.
Fan sounds noisy.	<ol style="list-style-type: none">1. Make sure all motor housing screws are snug.2. Make sure the screws that attach the fan blade brackets to the motor are tight.3. Make sure wire nut connections are not rubbing against each other or the interior wall of the switch housing. CAUTION: Make sure main power is off.4. Allow a 24-hour "breaking-in" period. Most noise associated with a new fan disappear during this time.5. If using an optional light kit, make sure the screws securing the glassware are tight. Make sure the light bulbs are not touching any other component.6. Do not connect this fan to wall mounted variable speed control(s). they are not compatible with ceiling fan motors or remote controls.7. Make sure the upper canopy is a short distance from the ceiling. It should not touch the ceiling.
Fan wobble.	<ol style="list-style-type: none">1. Check that all blade and blade arm screws are secure.2. Most fan wobbling problems are caused when blade levels are unequal. Check this level by selecting a point on the ceiling above the tip of one of the blades. Measure this distance. Rotate the fan until the next blade is positioned for measurement. Repeat for each blade. The distance deviation should be equal within 1/8".3. If the blade wobble is still noticeable, interchanging two adjacent (side by side) blades can redistribute the weight and possibly result in smoother operation.
Remote control malfunction.	<ol style="list-style-type: none">1. Ceiling Fans with remote control systems CAN NOT be operated in conjunction with any other control system EXCEPT a basic On/Off wall switch, if desired.

FCC INFORMATION

This device complies with part 15 of the FCC Rules. Operation is subject to the following two conditions:

- 1) This device may not cause harmful interference, and
- 2) This device must accept any interference received, including interference that may cause undesired operation.

Note: This equipment has been tested and found to comply with the limits for a Class B digital device, pursuant to part 15 of the FCC Rules. These limits are designed to provide reasonable protection against harmful interference in a residential installation. This equipment generates, uses and can radiate radio frequency energy and, if not installed and used in accordance with the instructions, may cause harmful interference to radio communications. However, there is no guarantee that interference will not occur in a particular installation. If this equipment does cause harmful interference to radio or television reception, which can be determined by turning the equipment off and on, the user is encouraged to try to correct the interference by one or more of the following measures:

- Reorient or relocate the receiving antenna
- Increase the separation between the equipment and receiver.
- Connect the equipment into an outlet on a circuit different from that to which the receiver is connected.
- Consult the dealer or an experienced radio/TV technician for help.