

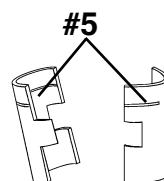
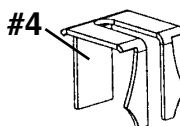
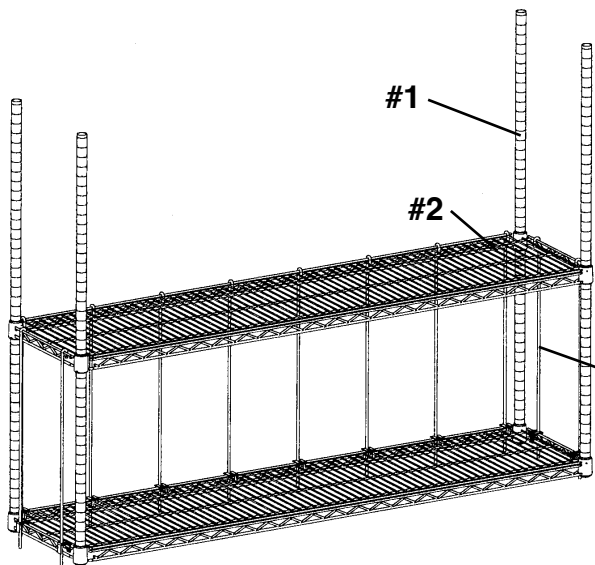
Ceiling Mount Boat Rack

ASSEMBLY INSTRUCTIONS

CAUTION

INSPECT CONTENTS IMMEDIATELY AND FILE CLAIM WITH DELIVERING CARRIER FOR ANY DAMAGE. **SAVE YOUR BOX AND ALL PACKING MATERIALS.** YOU ARE RESPONSIBLE FOR DAMAGE TO YOUR UNIT IF RETURNED IMPROPERLY PACKED.

Parts List



#	qty	part #	description
#1	4	BRCP45-C	post
#2	2	*	shelf
#3	**	A213304	rod
#4	**	A204297	clip
#5	2	A200816	bag of four split sleeves

* Part number of shelves varies, depending on size.

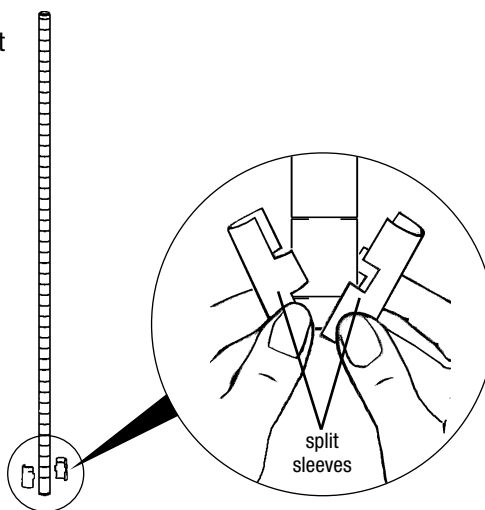
** Quantities of rods and clips vary, depending on shelf size.

Note: Ceiling-mounting hardware (#3/8-16 threaded rods) not included.

Step 1 - Attach split sleeves (for bottom shelf) to posts

Snap split sleeve onto each post at the second-from-last groove (the wider part of the taper goes toward the bottom).

NOTE: Top of post is the end with a threaded nut inside.



(continued on back page)

EG9960 Revised 03/24



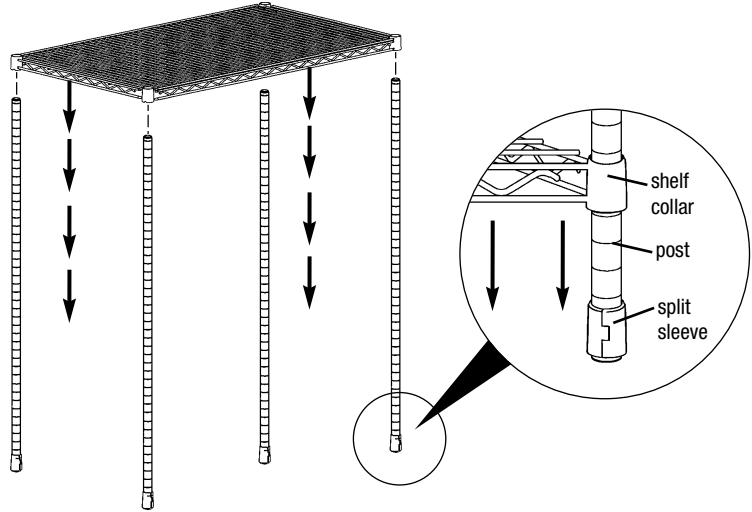
• 100 Industrial Boulevard, Clayton, Delaware 19938-8903 U.S.A.
• Phone: 302/653-3000 • 800/441-8440 • Fax: 302/653-2065
• www.eaglegrp.com • www.eaglehmc.com

Eagle Foodservice Equipment, Eagle MHC, and SpecFAB® are divisions of Eagle Group. ©2024 by the Eagle Group

Ceiling Mount Boat Rack

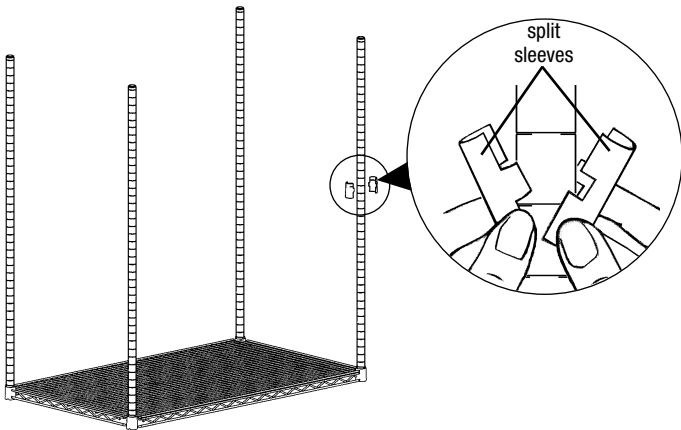
ASSEMBLY INSTRUCTIONS

Step 2 - Assemble bottom shelf to posts

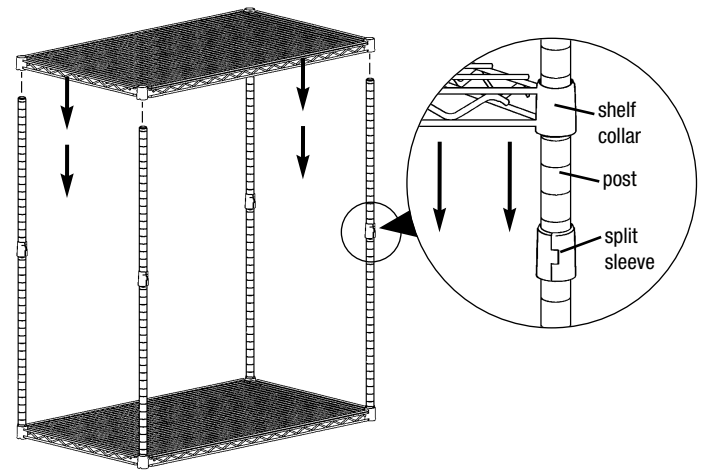


Step 3 - Attach split sleeves (for top shelf) to posts

Snap split sleeve onto each post at approximately 22" from bottom shelf.



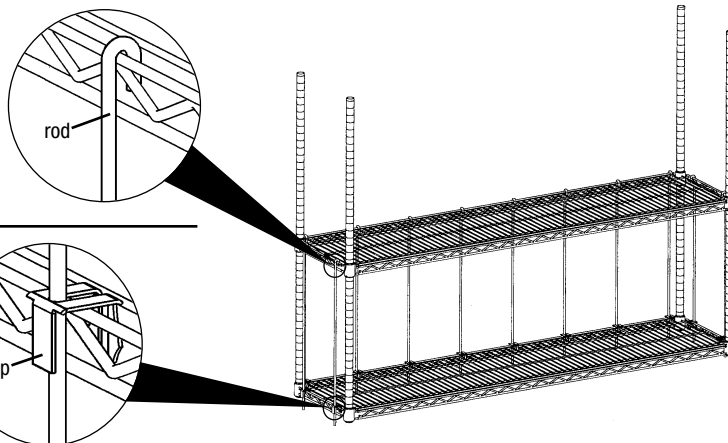
Step 4 - Assemble top shelf to posts



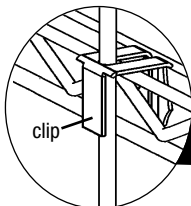
Step 5 - Attach rods

Hook rods where desired onto outside of top shelf.

NOTE: At least one rod required on each end.



Step 6 - Attach clips at bottom of rods



(End)

EAGLE
GROUP
Profit from the Eagle Advantage®

• 100 Industrial Boulevard, Clayton, Delaware 19938-8903 U.S.A.
• Phone: 302/653-3000 • 800/441-8440 • Fax: 302/653-2065
• www.eaglegrp.com • www.eaglehmc.com

Eagle Foodservice Equipment, Eagle MHC, and SpecFAB® are divisions of Eagle Group. ©2024 by the Eagle Group