

# Karran<sup>®</sup>

---

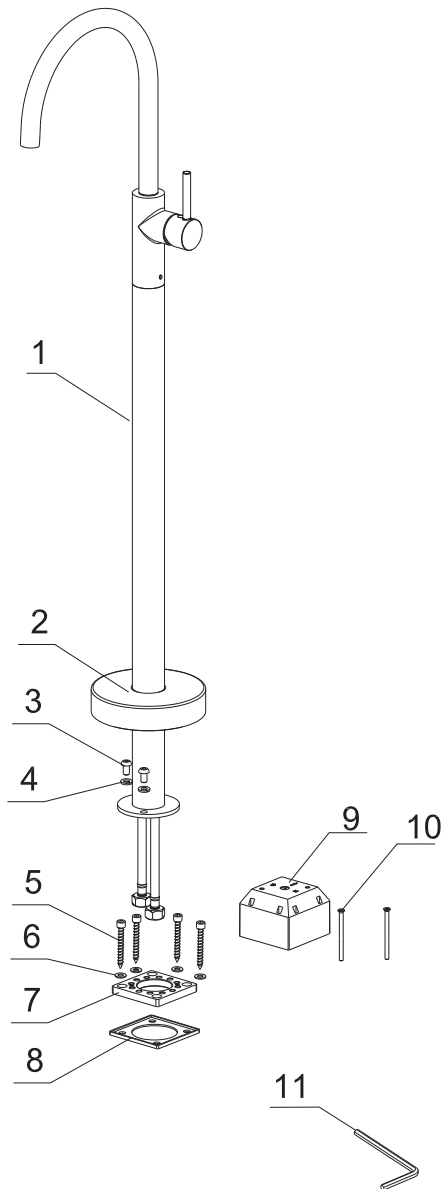
## INSTALLATION GUIDE



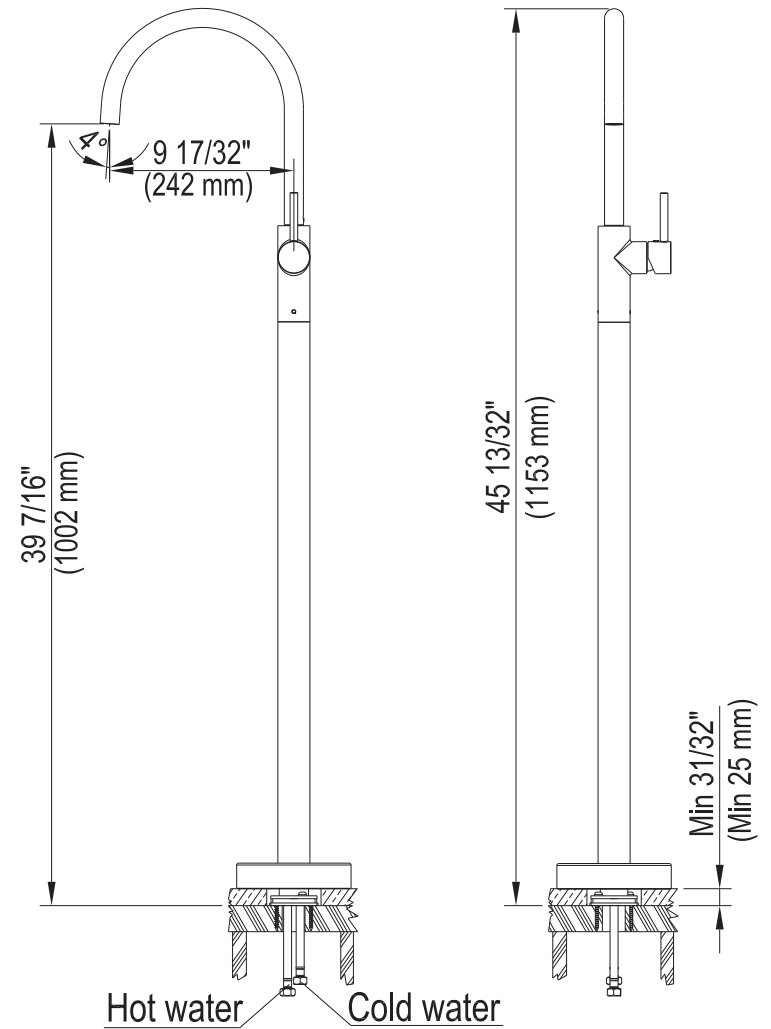
**Models:** KBF650BC  
KBF650G  
KBF650GG  
KBG650SS

\*\* Denotes faucet component color options:

SS - Spot Free Stainless steel  
GG - Gunmetal Grey  
BC - Brushed Copper  
G - Gold



The Component List	Qty.
1.Main body	1
2.Decorative cover	1
3.Screw	2
4.Spring gasket	2
5.Self-tapping screw	4
6.Gasket	4
7.Fixing plate	1
8.Rubber washer	1
9.Plastic guard	1
10.Bolt	2
11.Allen Wrench	1



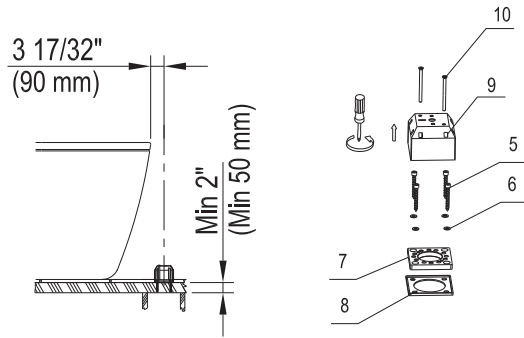
①

②

# INSTALLATION GUIDE

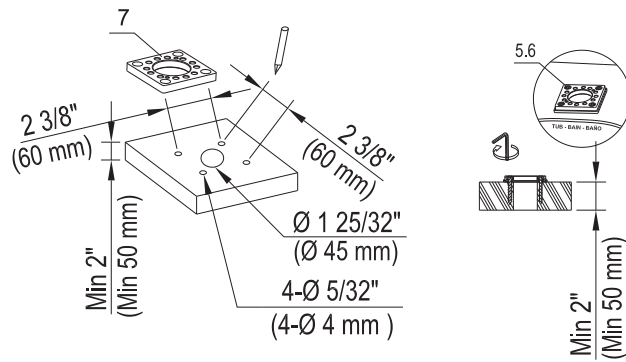
## STEP 1

1. After adjusting the mixer to correct direction, remove the bolts(10), plastic guard(9), gaskets(6), self-tapping screws(5) from the fixing plate(7).



## STEP 2

2. Use the fixing plate(7) for positioning, make drilling marks and drill 4- $\varnothing 4$  hole at the mounting plate, fix the rubber washer and fixing plate(7) with the self-tapping screws (5) and gaskets(6).

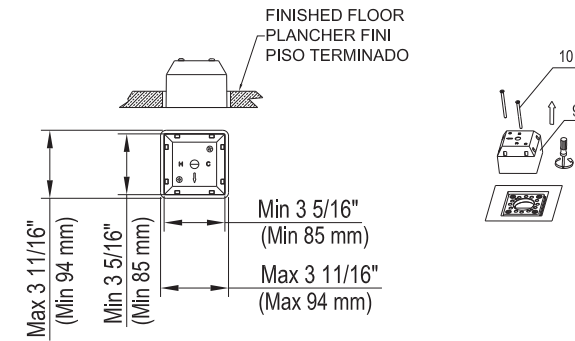


3

# INSTALLATION GUIDE

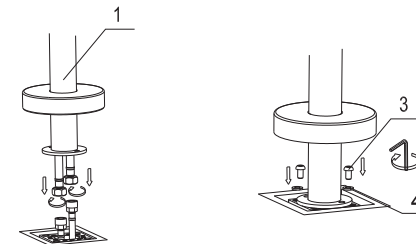
## STEP 3

3. Fix the plastic guard(9) onto the fixing plate(7) with the bolts(10) using a screwdriver.



## STEP 4

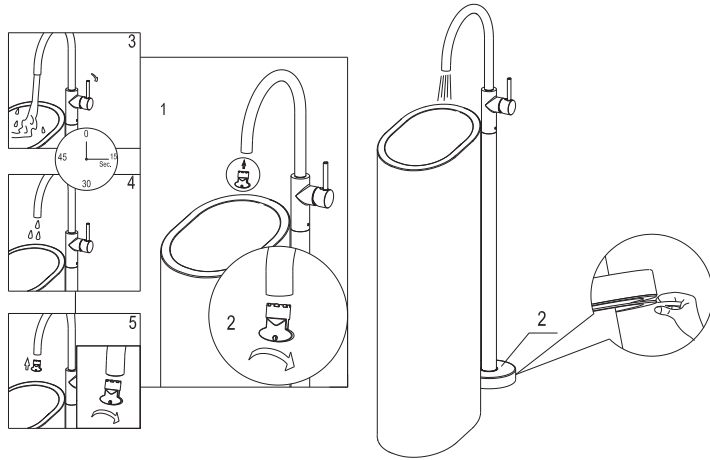
4. Attach hot and cold water lines. After tightness testing, fix the main body(1) by tightening the screws(3) with the Allen wrench(11).



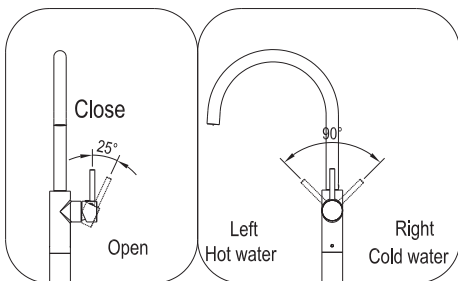
4

## STEP 5

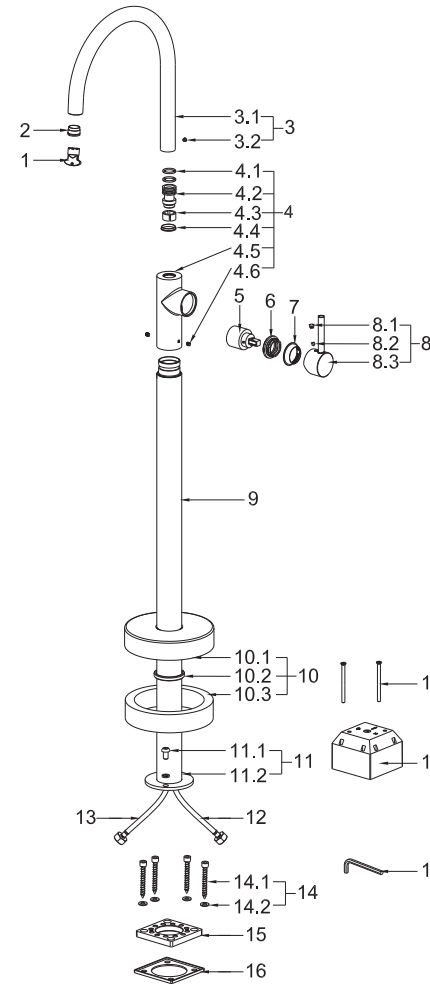
5. Check for leakage after installation. Finally, push down the decorative cover(2) close to the floor.



### How to operate the handle:



- 1) Open the handle lever to turn water on, push to turn off.
- 2) Turn the handle lever to the left to increase hot water flow with higher water temperature, while lower the water temperature by operating reversely.



No.	Description	Finishes/colors	Item No.
1.	Aerator Key		50020104200
2.	Aerator		50050044224
3.	Spout	BC,G,SS,GG	300100464**
4.	Main Body	BC,G,SS,GG	100101924**
5.	35A Cartridge		20060003200
6.	Nut		40060120252
7.	Cap	BC,G,SS,GG	500100720**
8.	Handle	BC,G,SS,GG	200100158**
9.	Support Pipe	BC,G,SS,GG	500201113**
10.	Decorative cover	BC,G,SS,GG	500101901**
11.	Screw		50060041300
12.	Waterline		50040224426
13.	Waterline		50040224421
14.	Self-tapping Screw		50060041200
15.	Fixing Plate		50020099352
16.	Rubber Washer		70020052730
17.	Bolt		50060035300
18.	Plastic Guard		70030066129
19.	Hex Wrench		50060003700