

FRIGIDAIRE

OUTDOOR MISTING FAN

FMF2K5BK00
Owner's Manual



Intertek
Manual v1.0

READ AND SAVE THESE INSTRUCTIONS.

TABLE OF CONTENTS

Register Your Product Online.....	3
Important Safety Instructions/Warnings.....	4
Parts Lists.....	6
Assembly Instructions.....	7
Operating Instructions.....	9
Cleaning and Maintenance.....	10
Troubleshooting.....	12
Limited Manufacturer's Warranty.....	13

SPECIFICATIONS

MODEL NO	FMF2K5BK00
RATED VOLTAGE	120V
RATED FREQUENCY	60 Hz
RATED POWER	55W
CURRENT	0.45A
FAN SPEEDS	3
SPRAY NOZZLES	3
AIRFLOW	2400 CFM
COVERAGE	500 square feet

Frigidaire is a registered trademark of Electrolux Home Products, Inc.
All rights reserved.

Manufactured under license by:
NewAir, LLC
6600 Katella Ave, Cypress, CA 90630
Comments/questions:
support@newair.com | 855-963-9247

REGISTER YOUR PRODUCT ONLINE

Register Your Frigidaire Product Online Today!

Take advantage of all the benefits product registration has to offer:



Service and Support

Diagnose troubleshooting and service issues faster and more accurately



Recall Notifications

Stay up-to-date on safety notices, system updates, and recall notifications



Special Promotions

Opt-in for NewAir promotions and offers

Registering your product information online is safe & secure and takes less than 2 minutes to complete:

newair.com/register

Alternatively, we recommend you attach a copy of your sales receipt below and record the following information, which can be found on the manufacturer's nameplate on the back of the unit. You will need this information if it becomes necessary to contact the manufacturer for service inquiries.

Date of Purchase: _____

Serial Number: _____

Model Number: _____

IMPORTANT SAFETY INSTRUCTIONS/WARNINGS

CAUTION: Read rules for safe operation and instructions carefully.

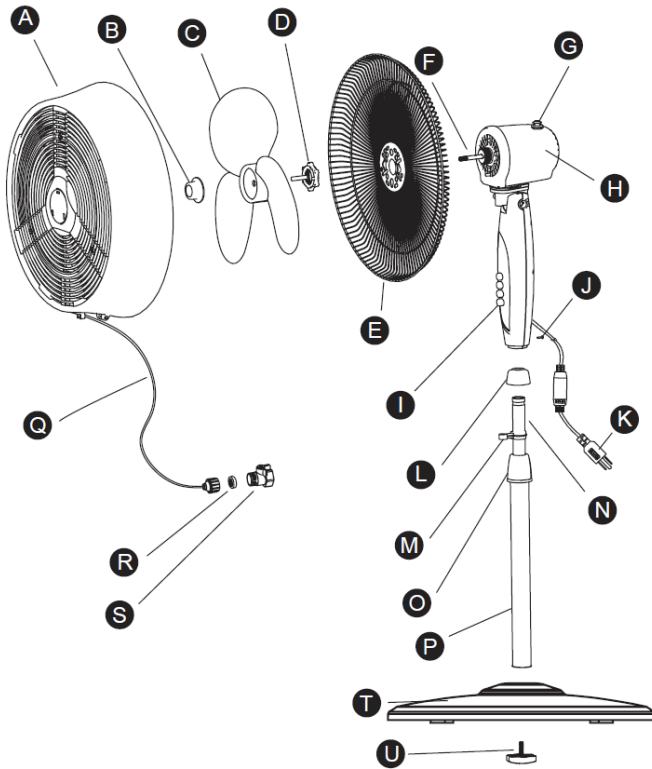
When using any electrical appliance, basic safety precautions must be followed in order to reduce the risk of fire, electrical shock and/or injury to persons or property. Be sure to read all instructions before using this appliance and observe the following safety tips:

1. To reduce the risk of fire or electrical shock, do not use this fan with any solid state speed control device (e.g. a dimmer switch).
2. This product must be grounded properly when plugged in. If the unit should malfunction or break down, a grounded power cord will keep you safe. This product is equipped with a grounded power cord. Plug into an appropriate outlet that is properly installed and grounded in accordance with all local codes and ordinances.
3. This fan is provided with a ground fault circuit interrupter (GFCI) built into the power supply cord. This device provides additional protection from the risk of electric shock. Should replacement of the plug or cord become necessary, use only identical replacement parts that include GFCI protection.
4. Do not leave the fan running unattended.
5. Do not use the fan where it may get wet from rain, sprinklers, etc. Water could leak inside of the unit and damage the internal components.
6. Do not insert anything through the fan cover, especially while the fan is running.
7. Before using the unit, check if the voltage indicated corresponds with the intended outlet (120V).
8. Connect power after the fan is fully assembled.
9. Unplug from the outlet when not in use, when moving the fan from one location to another, before putting on or taking off parts, and before cleaning.
10. Be sure the fan is on a stable surface when operating to avoid it falling over, and ensure the power cord is not a trip hazard.
11. Do not use any appliance with a damaged cord or plug. Discard fan or return to an authorized service facility for examination and/or repair if the power cord or plug are damaged.
12. Children should be supervised to ensure they do not play with or around the appliance.

13. This product employs overload protection (fuse). A blown fuse indicates an overload or short-circuit. If the fuse blows, unplug the product from the outlet. Replace the fuse as per the user servicing instructions and check the product. If the replacement fuse blows, a short-circuit may be present and the product should be discarded or customer service should be contacted immediately.
14. Press the TEST button (then RESET button) on the power cable GFCI box once every month to ensure proper operation.
15. Risk of Fire: Do not replace or modify any part of the power cord, GFCI or wall plug. Do not remove the fuse unless you are replacing it. If any of these parts are damaged, contact customer service immediately.
16. Place the fan on a level surface. Plug the grounding type attachment plug into a standard 120V AC 3-Prong wall outlet.

SAVE THESE INSTRUCTIONS

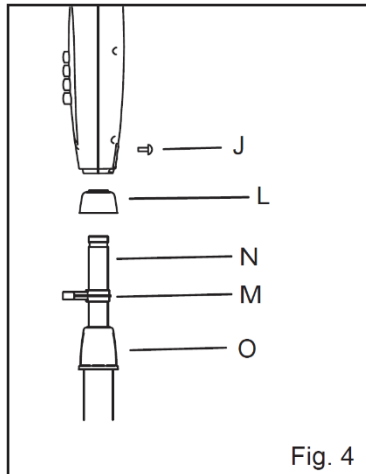
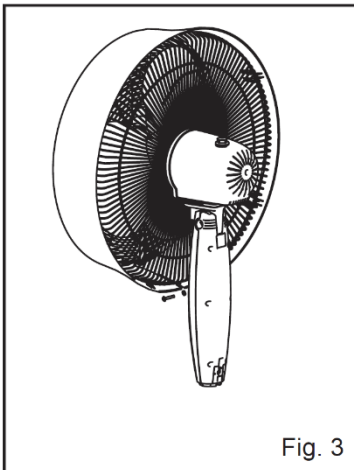
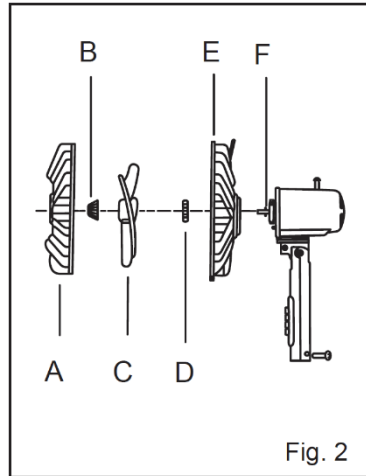
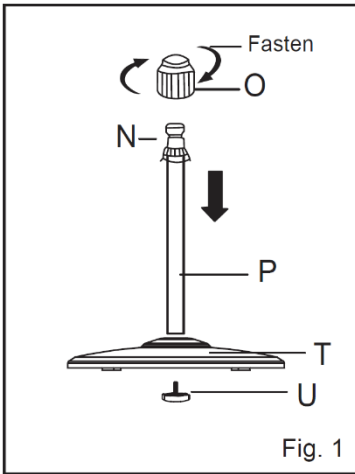
PARTS LIST



- | | | |
|------------------|---------------------------|-------------------|
| A. Front grille | I. Control panel | Q. Misting line |
| B. Blade cap | J. Thumb screw | R. Filter washer |
| C. Fan blade | K. Power cord | S. Water valve |
| D. Plastic nut | L. Waterproof cover | T. Fan base |
| E. Rear grille | M. Misting line clip | U. Screw for base |
| F. Motor shaft | N. Internal pole | |
| G. Clutch knob | O. Height adjustment knob | |
| H. Motor housing | P. External pole | |

ASSEMBLY INSTRUCTIONS

Before beginning assembly of this product, make sure all parts are included in the box (see chart on previous page). If any part is missing or damaged, do not attempt to assemble the product. Contact customer service for replacement parts. **You should only need a philips head screwdriver for assembly, and about 15 minutes of time.**



FAN BASE ASSEMBLY – FIG. 1

1. Unscrew the screw (U) from the external pole (P) and attach the external pole (P) to the base (T) by tightening the screw (U).
2. Remove the height adjustment knob (O) by unscrewing it counterclockwise.
3. Use your finger to pull out the internal pole (N), slide height adjustment knob (O) over internal pole (N). Fasten it to external pole (P) by turning the knob while holding the pole. Make sure the knob (O) is tightly fastened before final assembly.

FAN HEAD ASSEMBLY – FIG. 2 & 3

1. Remove the blade cap (B) by turning clockwise. Remove the plastic nut (D) by turning counter clockwise.
2. Position the rear grille (E) over the motor shaft (F), making certain that the handle is at the top, and that the one notch on the back of rear grille (E) fits over the three prong attachment on the motor housing (H on parts list).
3. Secure rear grille (E) by turning the plastic nut (D) clockwise and tightening firmly.
4. Slide the fan blade (C), with the hollow interior of the blade facing toward rear grille (E), onto motor shaft (F).
5. Secure fan blade (C) onto motor shaft (F) by turning the blade cap (B) counterclockwise until firmly in place.
6. Loosen the bolt on the bottom of front grille (A) and mount the front grille (A) with the logo right side up to rear grille (E) by snapping both together firmly. Ensure all snaps around front grille (A) are secured onto rear grille (E).
7. Tighten the bolt on the bottom of front grille (A).

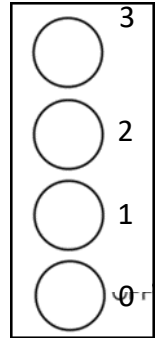
FINAL ASSEMBLY – FIG. 4

1. Loosen the thumb screw (J) by turning it counterclockwise.
2. Always keep the waterproof cover (L) match with the height adjustable knob (O) when adjusting the internal pole (N).
3. Insert internal pole (N) into the neck joint and tighten by turning thumb screw (J) clockwise. Make sure it is tight enough to support the fan head.
4. Attach the Misting Line holder (M) onto the Internal pole (N).
5. Secure the Misting Line (Q) to the clip under front grille (A) and the misting line clip (M).

OPERATING INSTRUCTIONS

FAN-ONLY MODE

1. Plug in the unit, press the reset button on the GFCI, and select a fan speed on the control panel. The fan will start running as soon as you select a fan speed.
2. To start/stop fan oscillation, push down/pull up the clutch knob (G).
3. To adjust the airflow upward or downward, simply tilt the fan head by hand and move to the desired angle.
4. The height of the fan can be adjusted by loosening the height adjustment knob (O) and carefully raising or lowering the fan and retightening the knob.



MISTING MODE

1. Connect a standard $\frac{3}{4}$ " garden hose to the misting hose valve (S). Water pressure should not exceed 550 kPa (5.6 kfg/cm²). Only use a hose in good condition.
2. With the garden hose turned on at the spigot, turn the lever on the misting hose valve to the right to turn on water to the fan.
3. Turn the lever back (to the left) to temporarily disable the misting feature. To disable the misting feature for a longer period of time, close the water valve lever and turn the spigot off as well.

CLEANING AND MAINTENANCE

1. Disconnect from the electrical socket during cleaning or initial assembly.
2. To ensure adequate air circulation to the motor, keep the vents at the rear of the motor housing clear of dust, dirt, etc. Unplug the fan before using a vacuum cleaner or compressed air to clean the grilles. It should not be necessary to disassemble the fan to clean it.
3. Wipe the exterior housing of the fan with a soft cloth soaked in a mild detergent. Do not use any abrasive detergents or solvents to avoid damaging the surface. Do not use gasoline, thinner, or benzene to clean the fan.
4. Do not allow water or any other liquid into the motor housing or interior parts.
5. When dismantling the fan (we recommend following the assembly instructions in reverse), be sure to clean each of the components before storage. Allow all parts to dry completely before storing.
6. To test the GFCI feature, press the "TEST" button. The fan should immediately shut off as if the GFCI has been tripped. Press the "RESET" button and the fan should be able to be turned on again, and the light on the GFCI box should light up orange. If it does, then the unit (as well as the GFCI feature) are functioning normally.
7. If the fuse in the power cord plug needs to be replaced, follow these instructions:
 - a) Pull the power plug from the outlet, being careful not to pull from the cord.
 - b) Slide open the fuse access cover.
 - c) Remove the fuse slowly and carefully by inserting a small tool into the fuse slot and prying it out. When one side of the fuse has been lifted out, you will be able to remove it entirely.
 - d) Only replace the fuse with 5 Amp / 125 Volt fuses. Using an incompatible fuse may cause a fire.
 - e) Close the fuse cover.
 - f) Caution: Do not attempt to replace the plug or the power cord itself. Only replace a broken fuse with a compatible fuse. If any part of the plug or cord are damaged, contact customer service for assistance.

USER SERVICING INSTRUCTIONS

1. Grasp plug and remove from the receptacle or other outlet device. Do not unplug by pulling on cord.
2. Open fuse cover. Slide open fuse access cover on top of attachment plug towards blades.
3. Remove fuse carefully. Insert the tip of your tool into fuse slot (close with the terminal), then prize the fuse gradually and slowly, but not overexert. If you feel tight, you can try it at several times and prize the fuse little by little. When one side of the fuse has been prized, then you can get the fuse out entirely.
4. Risk of fire. Replace fuse only with 5 Amp, 125 Volt fuse.
5. Close fuse cover. Slide closed the fuse access cover on top of attachment plug.
6. Risk of fire. Do not replace attachment plug. Contains a safety device (fuse) that should not be removed. Discard product if the attachment plug is damaged.

MISTING NOZZLE MAINTENANCE

If the misting nozzles become clogged, unscrew them from the fan grille and soak in vinegar or a lime scale remover until they are clear of buildup. Use a non-metallic brush to scrub them if necessary. If the nozzles remain obstructed, contact customer service for replacement.

Warning: never try to clear the nozzles with pins or other sharp objects as this can cause damage to the nozzles, affecting their efficiency.

If the misting hose valve becomes clogged, unscrew the head of the valve and flush it with running water to clear debris. Make sure the screen inside the misting hose is clean as well.

TROUBLESHOOTING

Problem	Possible Causes	Solution
The fan has no power.	The unit may be plugged in using a different voltage.	Check if using the wrong voltage.
	The circuit breaker may be tripped or there is a blown fuse.	Reset the circuit breaker or check for a broken fuse.
The fan is not rotating.	There is an obstruction.	Check for obstructions in the fan. If you find something, turn the fan off. Unplug the fan and carefully remove the obstruction. Plug the fan in and turn it on again by referring to the operating instructions.
No mist is produced.	There is no water coming from the hose.	Make sure the garden hose is correctly connected to the spigot and the misting hose valve, that the spigot is turned on, and that the valve is open.
Nozzles are leaking or dripping.	The nozzles are clogged.	Clean the clogged nozzles on the front of the fan as described under "Cleaning & Maintenance."

LIMITED MANUFACTURER'S WARRANTY

This appliance is covered by a limited manufacturer's warranty. For one year from the original date of purchase, the manufacturer will repair or replace any parts of this appliance that prove to be defective in materials and workmanship, provided the appliance has been used under normal operating conditions as intended by the manufacturer.

Warranty Terms:

During the first year, any components of this appliance found to be defective due to materials or workmanship will be repaired or replaced, at the manufacturer's discretion, at no charge to the original purchaser. The purchaser will be responsible for any removal or transportation costs.

Warranty Exclusions:

The warranty will not apply if damage is caused by any of the following:

- Power failure
- Damage in transit or when moving the appliance
- Improper power supply such as low voltage, defective household wiring or inadequate fuses
- Accident, alteration, misuse or abuse of the appliance such as using non-approved accessories, inadequate air circulation in the room or abnormal operating conditions (extreme temperatures)
- Use in commercial or industrial applications
- Fire, water damage, theft, war, riot, hostility or acts of God such as hurricanes, floods, etc.
- Use of force or damage caused by external influences
- Removal of stickers and/or screws
- Partially or completely dismantled appliances

Obtaining Service:

When making a warranty claim, please have the original bill of purchase with purchase date available. The purchaser will be responsible for any removal or transportation costs. Replacement parts and/or units will be new, remanufactured or refurbished and are subject to the manufacturer's discretion. For technical support and warranty service, please email support@newair.com

Frigidaire is a registered trademark of Electrolux Home Products, Inc.

All rights reserved.

Manufactured under license by:

NewAir, LLC

6600 Katella Ave, Cypress, CA 90630