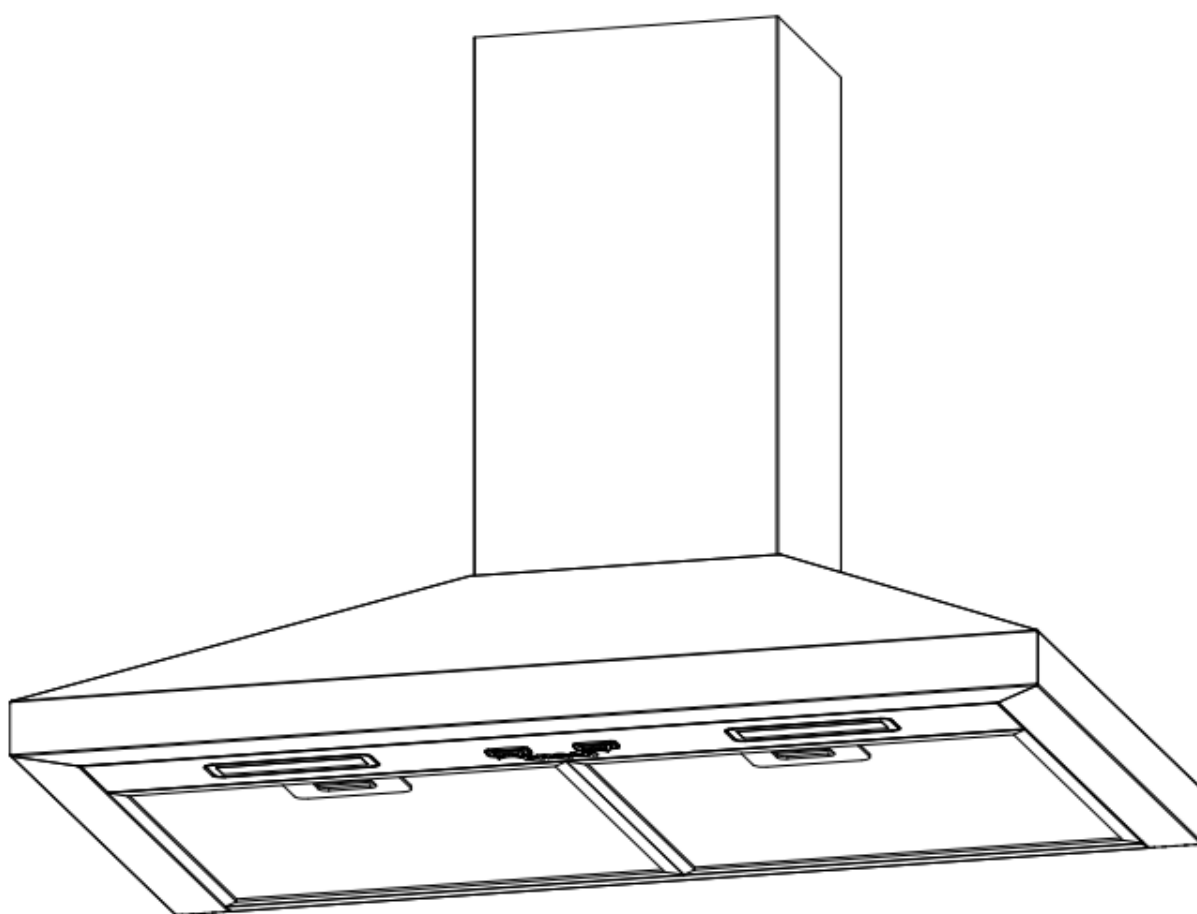


# BROAN<sup>®</sup> NuTone

WPR302CSSE  
WPR362CSSE

## INSTALLATION, USE AND CARE MANUAL



For complete warranty statement or to learn more about the instructions, please type your model number in on our website.

USA: Broan-NuTone LLC | Hartford, Wisconsin, 53027 [broan-nutone.com](http://broan-nutone.com)  
CANADA: Venmar Ventilation ULC | Drummondville, QC J2C 7W9 [broan-nutone.ca](http://broan-nutone.ca)

Serial number: \_\_\_\_\_

1119485C

## TABLE OF CONTENT

---

<b>SAFETY</b>	<b>3</b>
<b>INSTALLATION</b>	<b>5</b>
INSTALL DUCTWORK (DUCTED INSTALLATIONS ONLY)	7
INSTALL THE WIRING	7
INSTALL THE HOOD MOUNTING BRACKET	8
INSTALL UPPER FLUE MOUNTING BRACKET	9
INSTALL THE HOOD (HORIZONTALLY DUCTED HOODS ONLY)	9
INSTALL THE HOOD (VERTICALLY DUCTED HOODS ONLY)	10
INSTALL THE HOOD (NON-DUCTED HOODS ONLY)	12
<b>OPERATION</b>	<b>14</b>
<b>MAINTENANCE AND CLEANING</b>	<b>14</b>
<b>WIRING DIAGRAM</b>	<b>15</b>
<b>REPLACEMENT PARTS</b>	<b>16</b>

## SAFETY

This manual explains the proper installation and use of your range hood, please read it carefully before using, even if you are familiar with the product. The manual should be kept in a safe place for future reference.

### NEVER TO DO:

- Do not try to use the range hood without the grease filters or if the filters are excessively greasy.
- Do not install above a range with a high grill above 25 000 BTUs.
- Do not leave frying pans unattended during use because overheated fats or oils might catch fire.
- Never leave exposed flames under the range hood.



- If the range hood is not working properly, do not attempt to use.
- Do not flambé under the range hood.
- CAUTION: Accessible parts may become hot when used with cooking appliances.
- The air must not be discharged into a flue that is used for exhausting fumes from appliances burning gas or other fuels. Range hoods and other cooking fume extractors may adversely affect the safe operation of appliances burning gas or other fuels (including those in other rooms) due to back flow of combustion gases. These gases can potentially result in carbon monoxide poisoning. After installation of a range hood or other cooking fume extractor, the operation of open flued gas appliances should be tested by a competent person to ensure that back flow of combustion gases does not occur.



### ALWAYS TO DO:

- Important! Always switch off the electricity supply at the breaker panel during installation and maintenance such as light bulb replacement.
- The range hood must be installed in accordance with the installation instructions and local and state codes.
- All installation work must be carried out by a competent person or qualified electrician.
- Please dispose of the packing materials carefully. They could be a risk to children.
- Make sure the ducting has no bends sharper than 90 degrees as this will reduce the exhaust and performance efficiency of the range hood.
- Warning: Failure to install and fasten all screws in accordance with these instructions may result in electrical hazards.
- Warning: Before accessing any wires, switch off the electricity supply to the breaker panel.
- Always follow the appliance manufacturer's and or local and state code requirements regarding the ventilation needs.
- Range hood is for indoor residential use only.



- If the supply cord is damaged, it must be replaced by the manufacturer, a service agent or a qualified electrician to avoid a hazard.
- Caution: The appliance and its accessible parts can become hot during operation. Be careful to avoid touching the heating elements.
- There is a fire risk if cleaning is not carried out in accordance with these instructions.
- Regulations concerning the discharge of air must follow local and state codes.
- Clean your appliance periodically by following the Maintenance and Cleaning instructions in this instruction manual.
- For safety reason, please use only the same size of mounting screws which are recommended in this instruction manual.
- Regarding the details about the method and frequency of cleaning, please refer to Maintenance and Cleaning section in this instruction manual.
- Regarding the information about how the appliance is to be installed properly, please refer to Installation section in this instruction manual.
- WARNING: Danger of fire: do not store items on the cooking surfaces.
- A steam cleaner and/or cleaning products containing bleach is not to be used for any cleaning purposes of the range hood.
- NEVER try to extinguish a fire with water, switch off the appliance and then cover flame e.g. with a lid or a fire blanket.

# READ AND SAVE THESE INSTRUCTIONS

## IMPORTANT SAFETY INSTRUCTIONS



### WARNING

1. Before servicing or cleaning unit, unplug or disconnect the range hood from the power supply.
2. TO REDUCE THE RISK OF A RANGE TOP GREASE FIRE:
  - Never leave surface units unattended at high settings. Boilovers cause smoking and greasy spillovers that may ignite. Heat oils slowly on low or medium settings.
  - Always turn hood ON when cooking at high heat or when flambeing food (i.e. Crepes Suzette, Cherries Jubilee, Peppercorn Beef Flambe).
  - Clean ventilating fans frequently. Grease should not be allowed to accumulate on fan or filter.
  - Use proper pan size. Always use cookware appropriate for the size of the surface element.
3. TO REDUCE THE RISK OF INJURY TO PERSONS IN THE EVENT OF A RANGE TOP GREASE FIRE, OBSERVE THE FOLLOWING:
  - SMOTHER FLAMES with a close-fitting lid, cookie sheet, or metal tray, then turn off the burner. BE CAREFUL TO PREVENT BURNS. If the flames do not go out immediately, EVACUATE AND CALL THE FIRE DEPARTMENT.
  - NEVER PICK UP A FLAMING PAN - You may be burned.
  - DO NOT USE WATER, including wet dishcloths or towels - a violent steam explosion will result.
  - Use an extinguisher ONLY if:
    - 1) You know you have a Class ABC extinguisher, and you already know how to operate it.
    - 2) The fire is small and contained in the area where it started.
    - 3) The fire department is being called.
    - 4) You can fight the fire with your back to an exit.
4. To reduce the risk of fire or electric shock, do not use this fan with any solid-state speed control device.
5. For the permanently-connected range hood

TO REDUCE THE RISK OF FIRE, ELECTRIC SHOCK, OR INJURY TO PERSONS, OBSERVE THE FOLLOWING:

- Use this unit only in the manner intended by the manufacturer. If you have questions, contact the manufacturer.
  - Before servicing or cleaning unit, switch power off at service panel and lock the service disconnecting means to prevent power from being switched on accidentally. When the service disconnecting means cannot be locked, securely fasten a prominent warning device, such as a tag, to the service panel.
6. For the cord-connected range hood

WARNING: TO PROVIDE PROTECTION AGAINST ELECTRIC SHOCK, CONNECT TO PROPERLY GROUNDED OUTLETS ONLY.

7. This appliance is not intended for use by persons (including children) with reduced physical, sensory or mental capabilities, or lack of experience and knowledge, unless they have been given supervision or instruction concerning use of the appliance by a person responsible for their safety.
8. Children should be supervised to ensure that they do not play with the appliance.
9. If the POWER CORD is damaged, it must be replaced by the manufacturer, its service agent or similarly qualified persons in order to avoid a hazard.
10. The air must not be discharged into a flue that is used for exhausting fumes from appliances burning gas or other fuels.
11. For best capture of cooking fumes, the bottom of the hood MUST NOT BE LESS than 26" for electric range or 30" for gas range and at a recommended maximum of 36" above the cooking surface (at installer discretion).
12. Regulations concerning the discharge of air have to be fulfilled.
13. To reduce the risk of fire, electric shock or injury to persons, do not use replacement parts that have not been recommended by the manufacturer (e.g. parts made at home using a 3D printer).

### CAUTION

1. For general ventilating use only. Do not use to exhaust hazardous or explosive materials and vapors.
2. There shall be adequate ventilation of the room when the range hood is used at the same time as appliances burning gas or other fuels.
3. There is a fire risk if cleaning is not carried out in accordance with the instructions.
4. Accessible parts may become hot when used with cooking appliances.

## INSTALLATION

---



### WARNING

1. TO REDUCE THE RISK OF FIRE, USE ONLY METAL DUCTWORK.

#### GROUNDING INSTRUCTIONS

2. For a cord-connected range hood

This appliance must be grounded. In the event of an electrical short circuit, grounding reduces the risk of electric shock by providing an escape wire for the electric current. This appliance is equipped with a cord having a grounding wire with a grounded plug. The plug must be plugged into an outlet that is properly installed and grounded.

**WARNING:** Improper grounding can result in a risk of electric shock. Consult a qualified electrician if the grounding instructions are not completely understood, or if doubt exists as to whether the appliance is properly grounded. Do not use an extension cord. If the power cord is too short, have a qualified electrician install an outlet near the appliance.

3. For a hardwired range hood

TO REDUCE THE RISK OF FIRE, ELECTRIC SHOCK, OR INJURY TO PERSONS, OBSERVE THE FOLLOWING:

- Installation work and electrical wiring must be done by qualified person(s) in accordance with all applicable codes and standards, including fire-rated construction.
- Sufficient air is needed for proper combustion and exhausting of gases through the flue (chimney) of fuel burning equipment to prevent back drafting. Follow the appliance manufacturer's guideline and safety standards such as those published by the National Fire Protection Association (NFPA), and the American Society for Heating, Refrigeration and Air Conditioning Engineers (ASHRAE), and the local and state codes.
- When cutting or drilling into wall or ceiling, do not damage electrical wiring and other hidden utilities.
- Ducted fans must always be vented to the outdoors.
- Installation work and electrical wiring must be done by qualified person(s) in accordance with the National Electrical Code, ANSI/NFPA 70 and local and state codes. Before you begin installing, switch the power off at the breaker panel and lock the breaker panel to prevent the power from being switched back on accidentally.
- Connect wire harness to house wiring inside of electrical outlet box. Conductor of product identified as neutral conductor (WHITE) to be connected to a neutral conductor (WHITE) of power source, conductor of product identified as hot/line conductor (BLACK) to be connected to a hot/line conductor (BLACK) of power source, conductor of product identified for appliance grounding (GREEN/YELLOW) to be connected to a grounding (GREEN/BARE/COPPER) conductor. Secure wire harness to wiring box with appropriate wire clamp and re-attach outlet box cover.



### CAUTION

To reduce risk of fire and to properly exhaust air, duct air to the outside - do not vent exhaust air into spaces within walls or ceilings or into attics, crawls spaces, or garages.

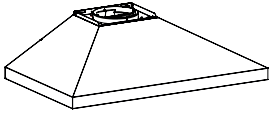
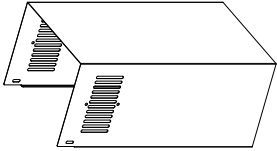
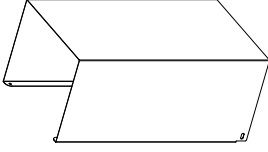
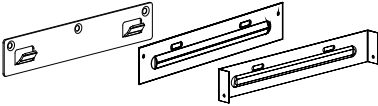
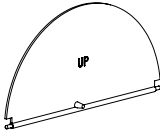
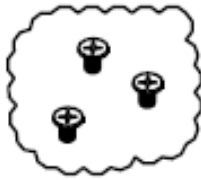
#### Installation Preparation

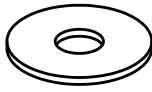
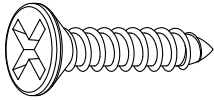
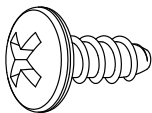
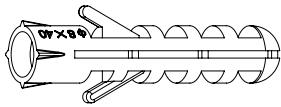
Recommended tools and accessories for installation:

- Measuring tape
- Drill and 5/16" drill bit
- Level
- Phillips screwdriver # 2
- Aluminum foil duct tape (for ducting applications)
- Scissors (to cut aluminum foil duct tape)
- Pencil
- Wire stripper

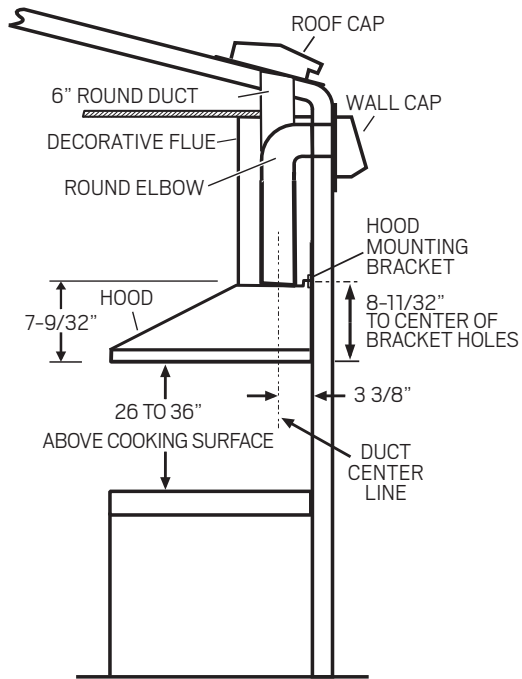
## Contents

Before proceeding to installation, check the contents of the box. If items are missing or damaged, contact the manufacturer immediately. Make sure the following items are included:

No.	ITEM	PIC	QTY
1	Hood and filters (2-30" / 3-36") (installed in hood)		1
2	Decorative upper flue		1
3	Decorative lower flue		1
4	Mounting brackets		1 set (3 pcs)
5	Damper flap		1
6	Parts bag		1 bag

No.	PARTS BAG CONTAINING	PIC	QTY
1	Washers		2
2	Mounting screws (No. 8 x 1-1/2")		7
3	Mounting screws (No. 8 x 1/4")		6
4	Dry wall anchors		7

## INSTALL DUCTWORK (DUCTED INSTALLATIONS ONLY)



### NOTE:

The minimum hood distance above cooktop MUST NOT BE LESS than 26" for electric range or 30" for gas range.

A maximum of 36" above cooktop is highly recommended for best capture of cooking impurities.

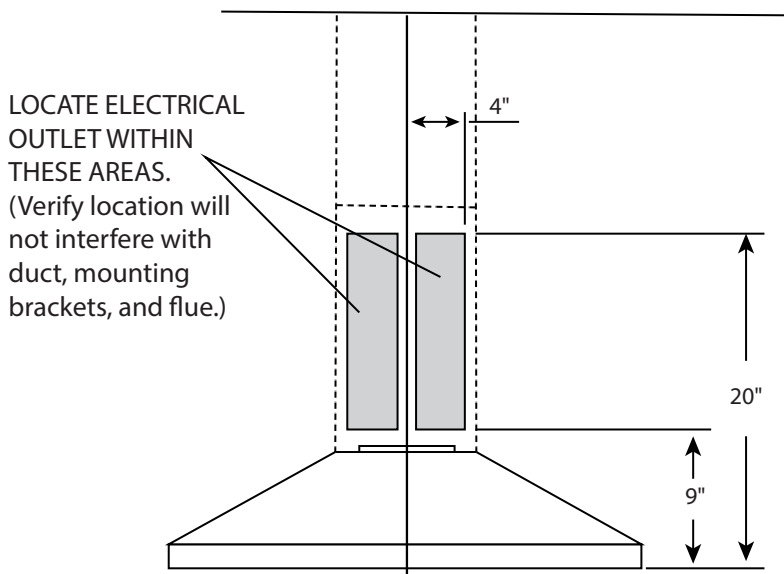
Distances over 36" are at the installer and user discretion; providing that the ceiling height permits.

1. Decide where the ductwork will run between the hood and the outside.
2. A straight, short run will allow the hood to perform most efficiently.
3. The ducting from this fan to the outside of the building has a strong effect on the airflow, noise and energy use of the fan. Use the shortest, straightest duct routing possible for best performance, and avoid installing the fan with smaller ducts than recommended. Insulation around the ducts can reduce energy loss and inhibit mold growth. Fans installed with existing ducts may not achieve their rated airflow. Refer to the table below to help you plan the most efficient installation.
4. Install wall cap or roof cap. Connect round metal ductwork to cap and work back towards the hood location. Use aluminum foil duct tape to seal the joints between ductwork sections and roof or wall cap.

Maximum Duct Lengths Recommended to Achieve 80% Exhaust Efficiency		
6" ROUND MAXIMUM DUCT LENGTH	ROOF OR WALL CAP WITH DAMPER	ELBOW(S)* (90° AND/OR 45°)
217 FT.	1	0
206 FT.	1	1
195 FT.	1	2

\* Standard elbows with 1" internal radius

## INSTALL THE WIRING



### GROUNDING INSTRUCTIONS:

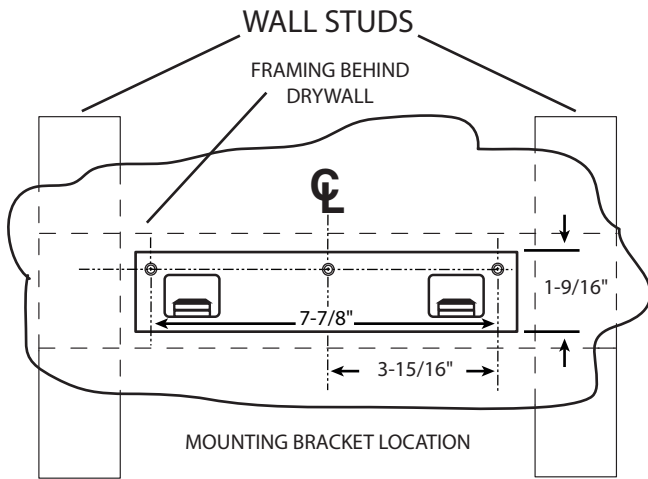
This appliance must be grounded. In the event of an electrical short circuit, grounding reduces the risk of electric shock by providing an escape wire for the electric current. This appliance is equipped with a cord having a grounding wire with a grounded plug. The plug must be plugged into an outlet that is properly installed and grounded. No extension cord should be used.

### NOTE:

A recessed clock outlet is recommended.

Position the electrical outlet within the space covered by the decorative flue and where it will not interfere with the ductwork. Make sure the outlet does not interfere with the mounting bracket fastening area, ductwork, or where the decorative flue touches the wall.

**INSTALL THE HOOD MOUNTING BRACKET**



CEILING HEIGHT	DUCT METHOD	HOOD DISTANCE ABOVE COOKTOP										
		26"	27"	28"	29"	30"	31"	32"	33"	34"	35"	36"
		MOUNTING BRACKET LOCATION ABOVE COOKTOP										
8 FEET	DUCTED	34-3/8"	35-3/8"	36-3/8"	37-3/8"	38-3/8"	39-3/8"	40-3/8"	41-3/8"	42-3/8"	43-3/8"	44-3/8"
	NON-DUCTED	34-3/8"	35-3/8"	36-3/8"	37-3/8"	38-3/8"	39-3/8"	40-3/8"	-	-	-	-
9 FEET	DUCTED	34-3/8"	35-3/8"	36-3/8"	37-3/8"	38-3/8"	39-3/8"	40-3/8"	41-3/8"	42-3/8"	43-3/8"	44-3/8"
	NON-DUCTED	34-3/8"	35-3/8"	36-3/8"	37-3/8"	38-3/8"	39-3/8"	40-3/8"	41-3/8"	42-3/8"	43-3/8"	44-3/8"
10 FEET	DUCTED	-	-	-	-	-	-	-	-	42-3/8"	43-3/8"	44-3/8"
	NON-DUCTED	-	-	-	-	-	-	-	-	42-3/8"	43-3/8"	44-3/8"

\* Flue extension model FXN58SS is required (purchase separately).

1. Construct wood wall framing that is flush with interior surface of wall studs.

Make sure:

- a) the framing is centered over installation location.
- b) the height of the framing will allow the mounting bracket to be secured to the framing within the dimensions shown.

2. After wall surface is finished, carefully center and level the hood mounting bracket and secure it to wall framing with (3) no. 8 x 1-1/2" mounting screws. Tighten the screws completely.

NOTE: Do not use dry wall anchors.

On 8-ft ceilings

Hood distance above cooktop is:

Minimum 26", Maximum 36" (for ducted discharge)

Minimum 26", Maximum 32" (for non-ducted discharge)

On 9-ft ceilings

Hood distance above cooktop is:

Minimum 26", Maximum 36" (for both ducted and non-ducted discharge)

NOTE: Dimensions above marked with an asterisk (\*) require flue extension model FXN58SS (purchase separately).

On 10-ft ceilings

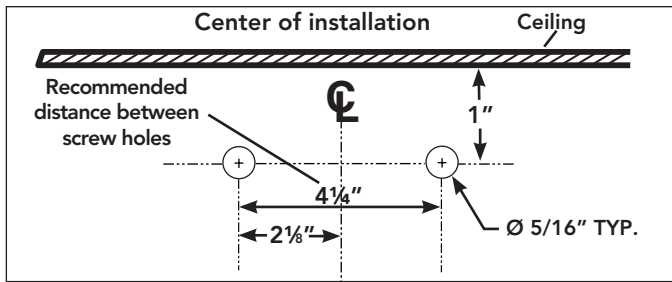
Hood distance above cooktop is:

Minimum 34", Maximum 36" (for both ducted and non-ducted discharge)

NOTE: Dimensions above marked with an asterisk (\*) require flue extension model FXN58SS (purchase separately).



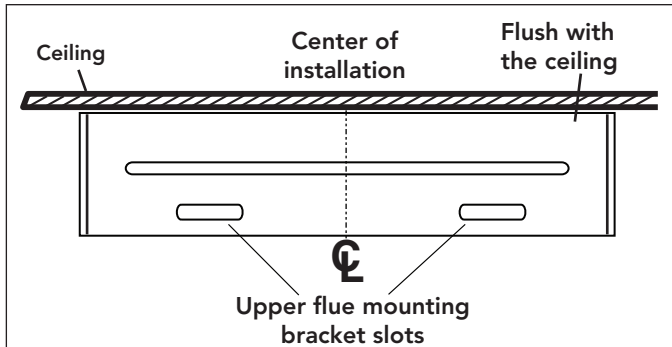
## INSTALL UPPER FLUE MOUNTING BRACKET



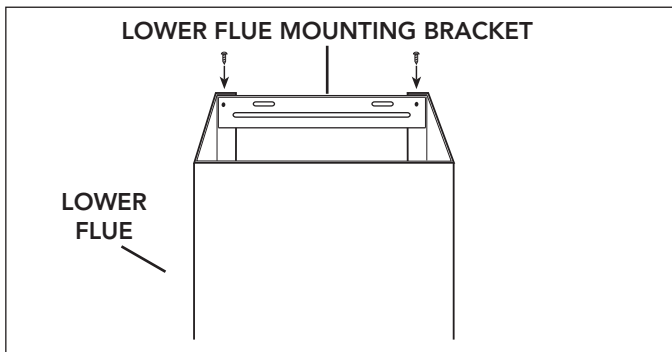
1. If wall framing is not present, drill two 5-16" diameter holes where shown. Insert dry wall anchors into the holes.
2. Center the bracket over the hood location and flush with the ceiling. Make sure the slots of the upper flue bracket are at the bottom. Secure the upper flue bracket to the wall using (2) no. 8 x 1-1/2" mounting screws.

NOTE: Use a level to assure bracket is level.

3. Tighten the screws securely. Make sure that the bracket is tight against the wall.



## INSTALL LOWER FLUE MOUNTING BRACKET

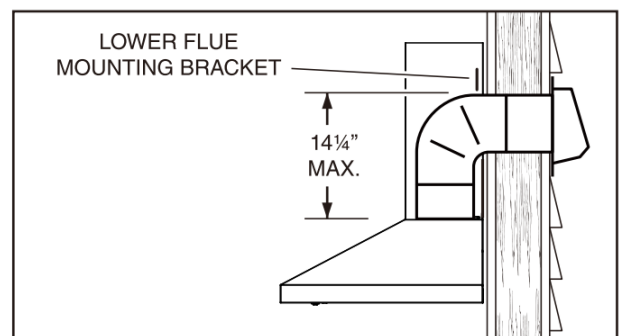
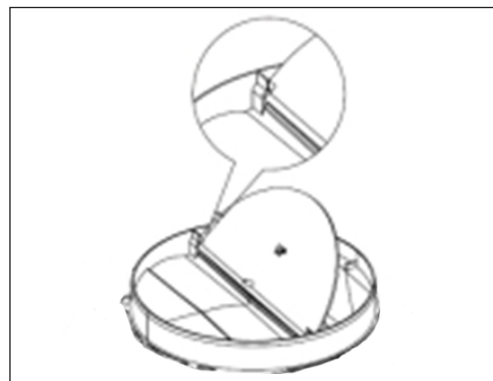


1. Install the lower flue bracket to the lower flue by using screws no. 8 x 1/4". Make sure that the bracket is positioned inside of the lower flue flanges, with the slots on top.

CAUTION: To prevent potential damage to the range hood, use only the supplied screws no. 8 x 1/4" to assemble lower flue and upper flue.

## INSTALL THE HOOD (HORIZONTALLY DUCTED HOODS ONLY)

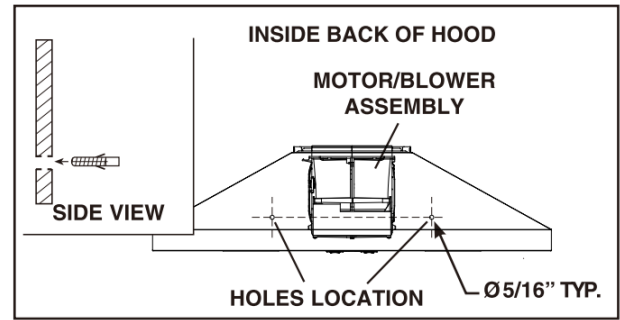
1. DO NOT REMOVE the protective plastic film covering the decorative flue and the hood at this time.
2. Lay the back side of the hood flat on a table. Use a piece of cardboard to avoid damaging the table or the hood.
3. Install the damper flap inside the blower exhaust opening, ensuring the pin is top oriented.
4. Remove the grease filters by pushing the plastic latch tab and tilting filters downward to remove.
5. Carefully rotate hood upright.
6. To make sure there will be adequate clearance between top of hood and lower flue mounting bracket for ductwork, elbow must be located below lower flue mounting bracket.



- Align the hood and center it above the hood mounting bracket. Gently lower the hood until it securely engages the bracket.

NOTE: Use a level to assure bracket is level.

- With the hood hanging in place, drill through both holes located in the inside lower back of hood using a 5/16" drill bit. Insert the included dry wall anchors into the drilled holes (one for each hole). Install (2) washers and (2) no. 8 x 1-1/2" mounting screws through the hood back and into the dry wall anchors. Verify that the hood is centered and leveled. Tighten all screws completely.

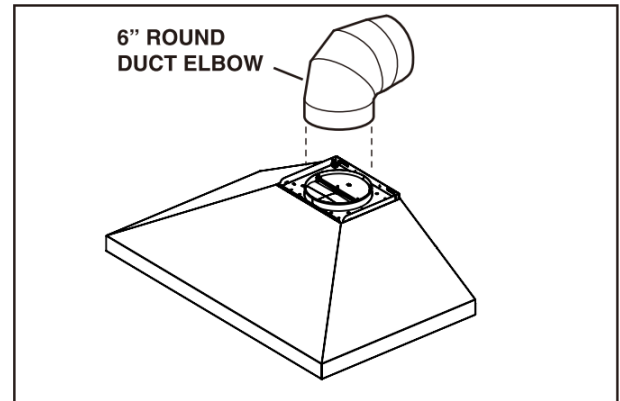


- Reinstall grease filters by aligning rear filter tabs with slots in the hood. Pushing the plastic latch tab, put the filter into position and release. Make sure filters are securely engaged after installation.

- Measure and install 6" round steel ductwork to roof cap or wall cap and 90° elbow over duct collar on hood. Use aluminum foil duct tape to make all joints secure and airtight.

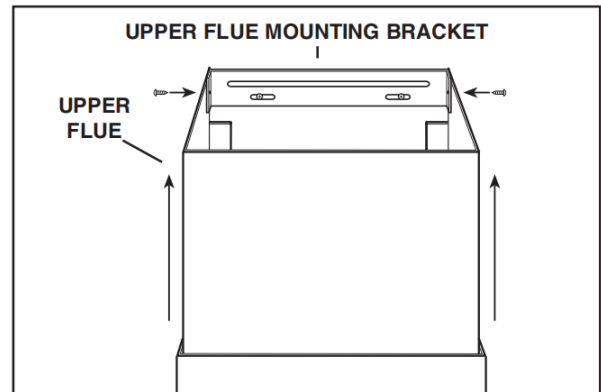
- Plug hood power cord into the outlet.

- Remove the upper flue from inside the lower flue. Install the lower flue bracket to the lower flue using (2) flue bracket screws (no. 8 x 1/4"). Make sure that the bracket is positioned inside of the lower flue flanges - with the slots on top. Carefully replace the upper flue inside the lower flue. Remove protective plastic film covering the lower flue only.



- Carefully place both flues into the recessed area of hood top. Slightly push aside the upper flue to avoid any damage while installing the lower flue to the hood top using (2) no. 8 x 1/4" screws through the lower flue side slots.

- Slide the upper flue upward until it is aligned with its upper flue mounting bracket. The bracket should be inside the flue. Secure the upper flue to the upper flue mounting bracket using (2) no. 8 x 1/4" mounting screws.

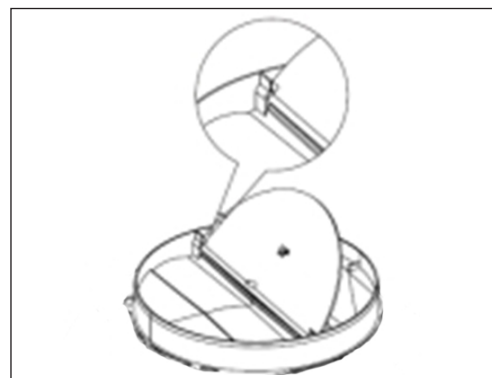


- Remove protective plastic film covering the upper flue and the hood.

NOTE: 9-ft. and 10-ft. ceilings require flue extension model FXN58SS (purchase separately). Discard the upper flue shipped with your hood and replace it with the model FXN58SS flue extension.

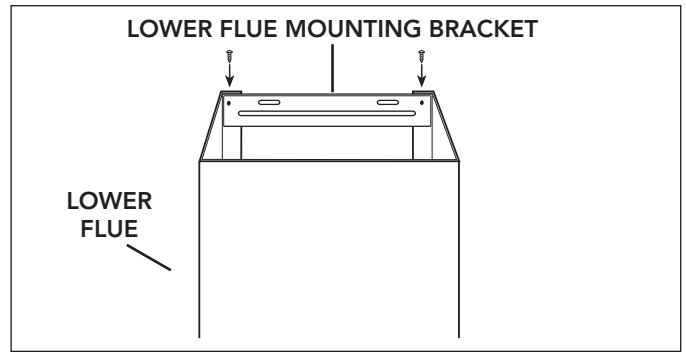
### INSTALL THE HOOD (VERTICALLY DUCTED HOODS ONLY)

- DO NOT REMOVE the protective plastic film covering the decorative flue and the hood at this time.
- Lay the back side of the hood flat on a table. Use a piece of cardboard to avoid damaging the table or the hood.
- Install the damper flap inside the blower exhaust opening, ensuring the pin is top oriented.
- Remove the grease filters by pushing the plastic latch tab and tilting filters downward to remove.
- Carefully rotate hood upright.



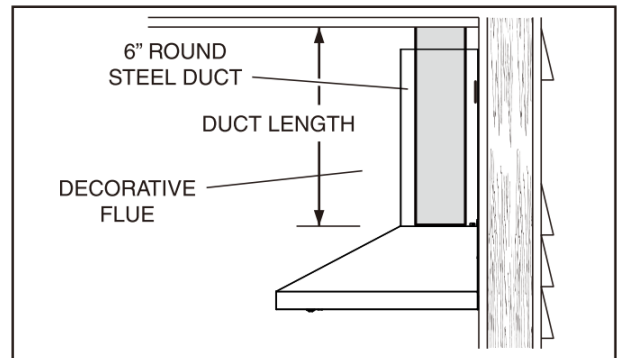
- Remove the upper flue from inside the lower flue. Install the lower flue bracket to the lower flue using (2) flue bracket screws (no. 8 x 1/4"). Make sure that the bracket is positioned inside of the lower flue flanges - with the slots on top. Carefully replace the upper flue inside the lower flue. Remove protective plastic film covering the lower flue only.

**CAUTION:** To prevent potential damage to the range hood, use only the supplied screws no. 8 x 1/4" to assemble lower flue and upper flue.

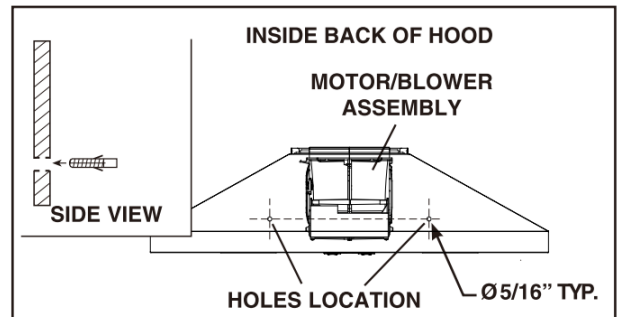


**NOTE:** 9-ft. and 10-ft. ceilings require flue extension model FXN58SS (purchase separately). Discard the upper flue shipped with your hood and replace it with the model FXN58SS flue extension.

- Carefully place both flues into the recessed area of hood top.
- Measure and install 6" round steel ductwork to hood duct connector. Use aluminum foil duct tape to make all joints secure and airtight.
- Hold hood up close to wall mounting location and plug power cord into wall outlet.
- Align the hood and center it above the hood mounting bracket. Make sure ductwork on hood lines up and attaches to ductwork in ceiling. Gently lower the hood until it securely engages the bracket.

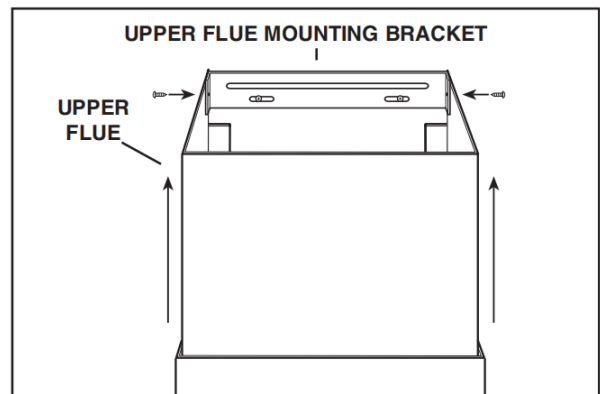


- Use aluminum foil duct tape to make all joints secure and airtight.
- With the hood hanging in place, drill through both holes located in the inside lower back of hood using a 5/16" drill bit. Insert the included dry wall anchors into the drilled holes (one for each hole). Install (2) washers and (2) no. 8 x 1-1/2" mounting screws through the hood back and into the dry wall anchors. Verify that the hood is centered and leveled. Tighten all screws completely.



- Reinstall grease filters by aligning rear filter tabs with slots in the hood. Pushing the plastic latch tab, put the filter into position and release. Make sure filters are securely engaged after installation.

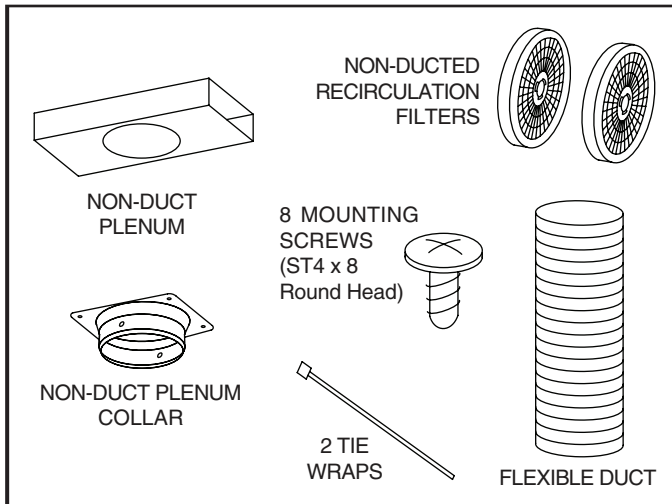
- Slightly push aside the upper flue to avoid any damage while installing the lower flue to the hood top using (2) no. 8 x 1/4" screws through the lower flue side slots.
- Slide the upper flue upward until it is aligned with its upper flue mounting bracket. The bracket should be inside the flue. Secure the upper flue to the upper flue mounting bracket using (2) no. 8 x 1/4" mounting screws.



- Remove protective plastic film covering the upper flue and the hood.

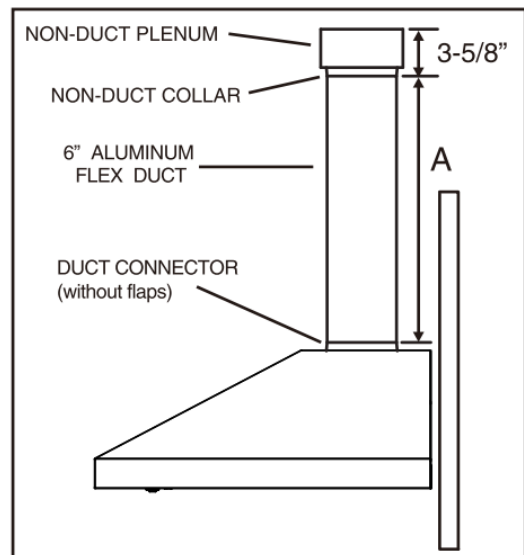
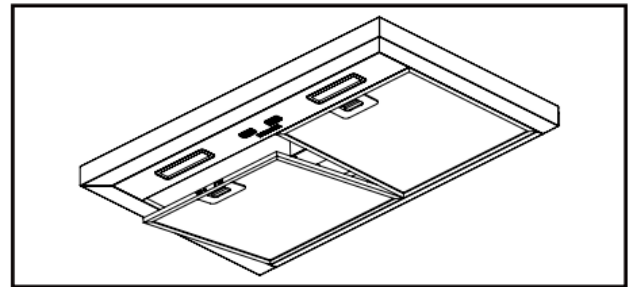
## INSTALL THE HOOD (NON-DUCTED HOODS ONLY)

### NON-DUCT KIT MODEL WPRRCK CONTENT



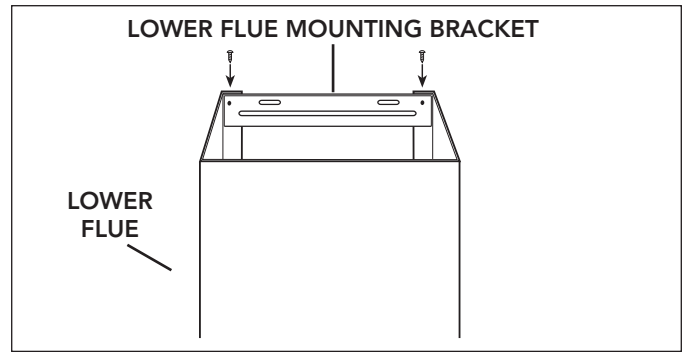
NOTE: Non-ducted installations require non-duct kit model WPRRCK (purchase separately)

1. CAUTION: Use only flexible duct provided.
2. Do not remove the protective plastic film covering the decorative flue and the hood at this time.
3. Lay the back side of the hood flat on a table. Use a piece of cardboard to avoid damaging the table or the hood.
4. Remove the grease filters by pushing the plastic latch tab and tilting filters downward to remove.
5. Attach non-duct collar to non-duct plenum using (4) no. 8 x 1/4" pan head screws.
6. Measure distance A. This will be the length of the extended flex duct.
7. Attach aluminum flexible duct to the damper/duct connector with a tie wrap.
8. Attach flexible duct to non-duct plenum collar and secure with tie wrap. Tape all joints with aluminum foil duct tape.



NOTE: 9-ft. and 10-ft. ceilings require flue extension model FXN58SS (purchase separately). Discard the upper flue shipped with your hood and replace it with the model FXN58SS flue extension.

9. Remove the upper flue from inside the lower flue. Install the lower flue bracket to the lower flue using (2) flue bracket screws (no. 8 x 1/4"). Make sure that the bracket is positioned inside of the lower flue flanges - with the slots on top. Carefully replace the upper flue inside the lower flue. Remove protective plastic film covering the lower flue only.



10. Carefully place both flues into the recessed area of hood top. Slightly push aside the upper flue to avoid any damage while installing the lower flue to the hood top by using (2) no. 8 x 1/4" screws through the lower flue side slots.

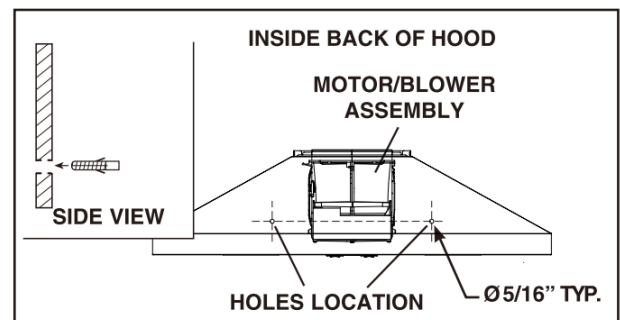
**CAUTION:** To prevent potential damage to the range hood, use only the supplied screws no. 8 x 1/4" to assemble lower flue and upper flue.

11. Attach non-duct plenum with collar to upper flue using (4) no. 8 x 1/4" pan head screws.

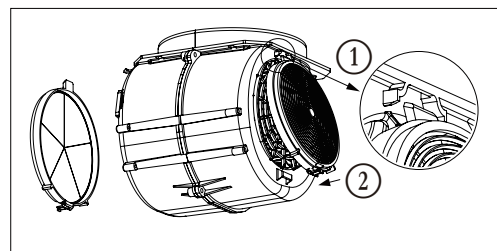
12. Hold hood up close to wall mounting location and plug power cord into wall outlet.

13. Align the hood and center it above the hood mounting bracket. Gently lower the hood until it securely engages the bracket.

14. With the hood hanging in place, drill through both holes located in the inside lower back of hood using a 5/16" drill bit. Insert the included dry wall anchors into the drilled holes (one for each hole). Install (2) washers and (2) no. 8 x 1-1/2" mounting screws through the back of the hood and into the dry wall anchors. Verify that the hood is centered and leveled. Tighten all screws completely.



15. Attach (2) non-duct recirculation filters to sides of blower by inserting the tab into the upper slot on the blower (1), then press the bottom filter clip onto the locking tab on the blower (2). Make sure the filter is firmly fixed to the blower.

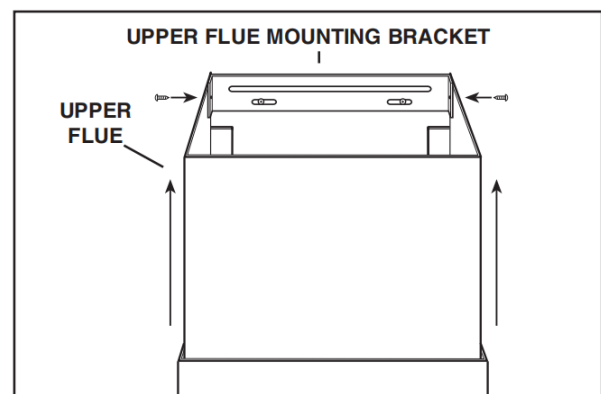


16. For replacement non-duct recirculation filters - purchase WPRCF.

17. Reinstall grease filters by aligning rear filter tabs with slots in the hood. Pushing the plastic latch tab, put the filter into position and release. Make sure filters are securely engaged after installation.

18. Slide up the upper flue upward until it is aligned with its upper flue mounting bracket. The bracket should be inside the flue. Secure the upper flue to the upper flue mounting bracket using (2) no. 8 x 1/4" mounting screws.

19. Remove protective plastic film covering the flue and the hood.



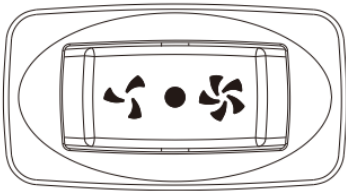
## OPERATION




---

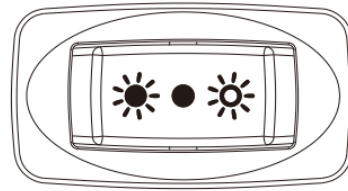
Always turn your hood on before you begin cooking to establish an air flow in the kitchen. Let the blower run for 10 minutes to clear the air after you turn off the range. This will help keep the whole kitchen cleaner and fresher.


Operate the hood as follows:

### ROCKER SWITCH



1. Press  to turn on blower at low speed.
2. Press  to turn blower off.
3. Press  to turn on blower at high speed.



1. Press  to turn on warm light.
2. Press  to turn light off.
3. Press  to turn on cool light.

NOTE: This range hood features 2 lighting temperature (CCT) modes (warm - 3000K and cool - 6000K)

## MAINTENANCE AND CLEANING

---

Proper maintenance of the range hood will assure proper performance of the unit.

### MOTOR

The motor is permanently lubricated and never needs oiling. If the motor bearings make excessive or unusual noise, replace the blower with the exact service blower.

### GREASE FILTERS

The grease filters should be cleaned frequently. Use a warm dishwashing detergent solution. Grease filters are dishwasher safe. Clean all-metal filters in the dishwasher using a non-phosphate detergent. Discoloration of the filters may occur if using phosphate detergents, or as a result of local water conditions - but this will not affect filter performance. This discoloration is not covered by the warranty.

### NON-DUCTED RECIRCULATION FILTERS

The non-ducted recirculation filters should be changed every 6 months. Replace more often if your cooking style generates extra grease, such as frying and wok cooking. Press the clip at the bottom of the recirculation filter to unlock it from the holding tab on the blower, take down the filter and replace.

### STAINLESS STEEL CLEANING

#### DO:

- Regularly wash with clean cloth or rag soaked with warm water and mild soap or liquid dish detergent.
- Always clean in the direction of original polish lines.
- Always rinse well with clear water (2 or 3 times) after cleaning. Wipe dry completely.
- You may also use a specialized household stainless steel cleaner.

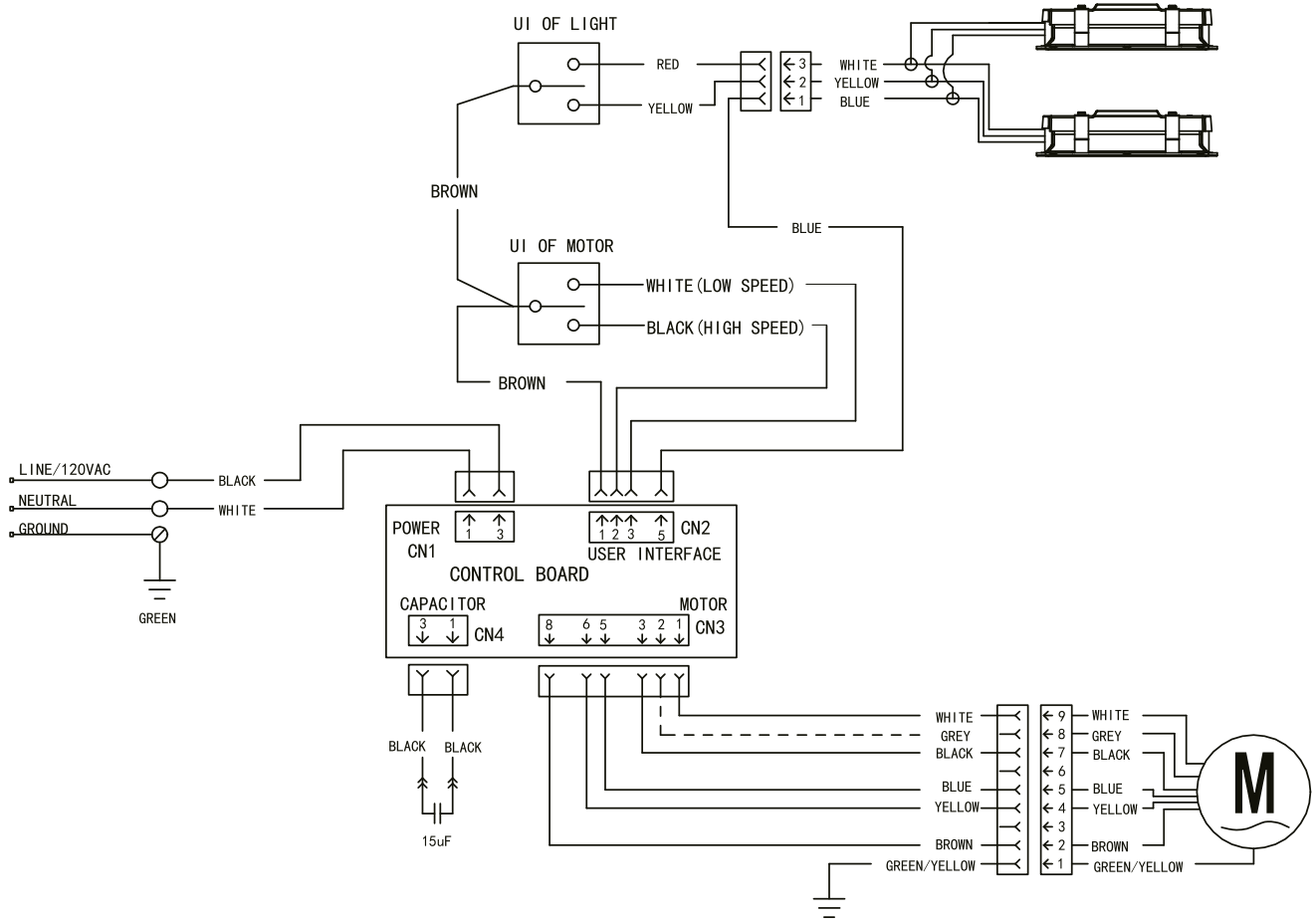
#### DON'T:

- Use any steel or stainless steel wool or any other scrapers to remove stubborn dirt.
- Use any harsh or abrasive cleansers.
- Allow dirt to accumulate.
- Let plaster dust or any other construction residues reach the hood. During construction/renovation, cover the range hood to make sure no dust sticks to the stainless steel surface.

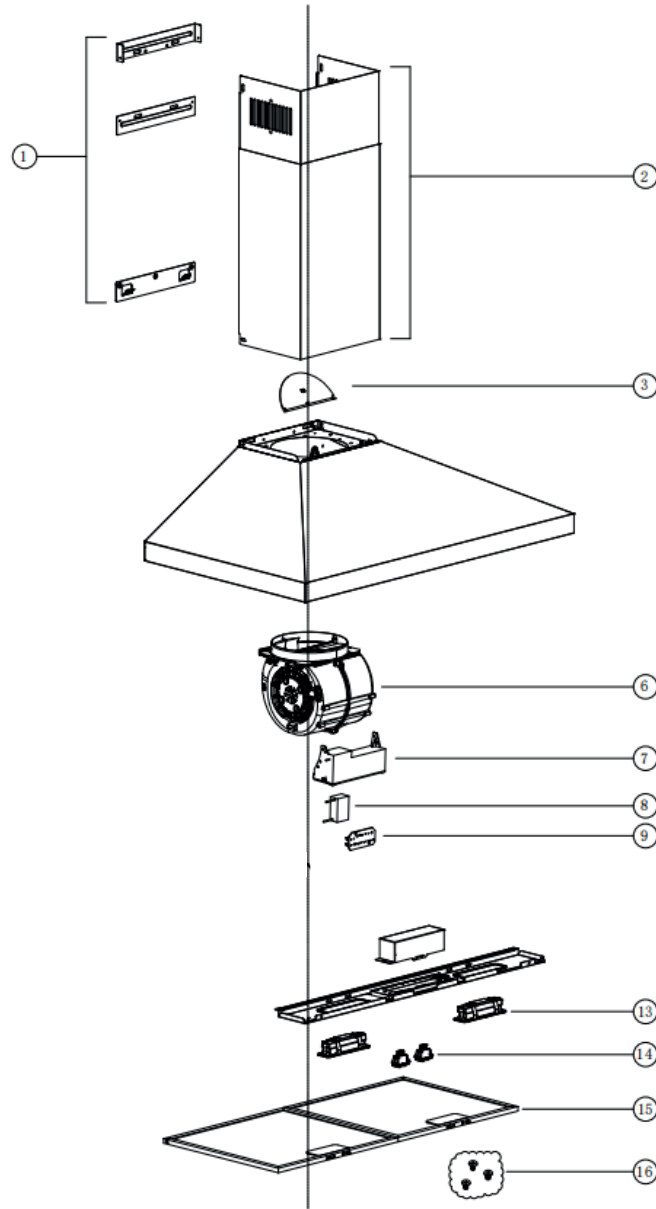
### AVOID WHEN CHOOSING A DETERGENT

- Any cleaners that contain bleach will attack stainless steel
- Any products containing: chloride, fluoride, iodide, bromide will deteriorate surfaces rapidly.
- Any combustible products used for cleaning such as acetone, alcohol, ether, benzol, etc., are highly explosive and should never be used close to a range.

# WIRING DIAGRAM



# REPLACEMENT PARTS



Item	Part No.	Description	Qty
1	S99528929	Mounting Brackets (set of 3)	1
2	S99526972	Decorative Upper and Lower Flues	1
3	S99010499	Damper Flap	1
6	S1119587	Motor and Blower Assembly	1
7	S1119588	Plastic Box of Control Board	1
8	S1119589	Capacitor	1
9	S1119590	Control Board	2
13	S1119591	LED Module	1
14	S1119592	Rocker Switch (set of 2)	1
15	S1119571	Grease Filters (2 per hood)	1
	S1119572	Grease Filters (3 per hood)	1
16	S99010500	Parts Bag	1
*	WPRCF	Non-Duct Recirculation Filters	1
*	S99526992	Non-Duct Plenum Assembly	1
*	WPRRCK	Non-Duct Kit	1
*	FXN58SS	Decorative Upper Flue Extension	1

Broan-NuTone Genuine Parts can be purchased online at <https://shop.broan-nutone.com>parts>

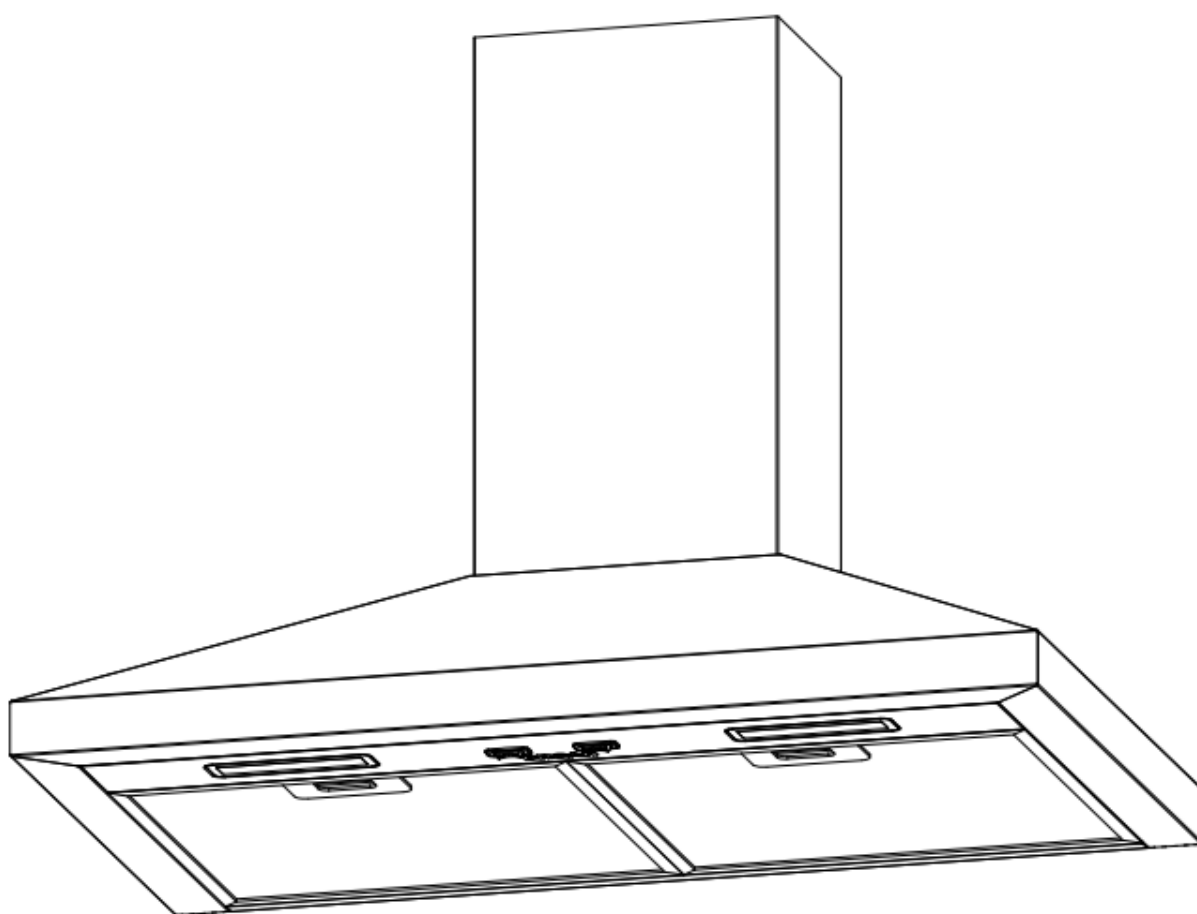
\* Not shown



# BROAN<sup>®</sup> NuTone

WPR302CSSE  
WPR362CSSE

## MANUEL D'INSTALLATION, D'UTILISATION ET D'ENTRETIEN



Pour obtenir l'énoncé de garantie ou pour en apprendre davantage à propos des instructions, veuillez inscrire votre numéro de modèle sur notre site Internet.

## TABLE DES MATIÈRES

---

<b>SÉCURITÉ</b>	<b>19</b>
<b>INSTALLATION</b>	<b>21</b>
INSTALLATION DES CONDUITS (INSTALLATION AVEC CONDUITS UNIQUEMENT)	23
INSTALLATION DU CÂBLAGE	23
INSTALLATION DU SUPPORT DE MONTAGE DE LA HOTTE	24
INSTALLATION DU SUPPORT DE MONTAGE DU CONDUIT DÉCORATIF SUPÉRIEUR	25
INSTALLATION DE LA HOTTE (ÉVACUATION HORIZONTALE SEULEMENT)	25
INSTALLATION DE LA HOTTE (ÉVACUATION VERTICALE SEULEMENT)	26
<b>FONCTIONNEMENT</b>	<b>30</b>
<b>ENTRETIEN ET NETTOYAGE</b>	<b>30</b>
<b>SCHEMA DE CÂBLAGE</b>	<b>31</b>
<b>PIÈCES DE REMPLACEMENT</b>	<b>32</b>

## SÉCURITÉ

Ce manuel explique comment installer et utiliser correctement votre hotte de cuisine, veuillez le lire attentivement même si vous connaissez bien le produit. Ce manuel doit être conservé en lieu sûr pour référence ultérieure.

### À NE JAMAIS FAIRE :

- Ne pas essayer d'utiliser la hotte sans les filtres à graisse ou si les filtres sont extrêmement gras.
- Ne pas installer la hotte au-dessus d'une cuisinière avec un grill surélevé de plus de 25 000 BTU.
- Ne pas laisser une poêle à frire sans surveillance pendant son utilisation car les graisses ou les huiles surchauffées peuvent s'enflammer.
- Ne jamais laisser des flammes exposées sous la hotte.



- Si la hotte ne fonctionne pas correctement, ne pas essayer de l'utiliser.
- Ne rien flamber sous la hotte.
- ATTENTION: Les pièces accessibles peuvent devenir chaudes lorsqu'elles sont utilisées avec des appareils de cuisson.
- L'air ne doit pas être évacué dans un conduit utilisé pour l'évacuation des fumées d'équipements alimentés au gaz ou autre combustible. Les hottes de cuisine et autres extracteurs de fumées de cuisson peuvent nuire à la sécurité de fonctionnement des équipements alimentés au gaz ou autre combustible (y compris ceux situés dans d'autres pièces). Ces gaz peuvent entraîner une intoxication au monoxyde de carbone. Après l'installation d'une hotte de cuisine ou autre extracteur de fumées de cuisson, le fonctionnement des équipements alimentés au gaz avec conduit d'évacuation doit être testé par une personne compétente pour s'assurer qu'il n'y a pas de refoulement des gaz de combustion.



### À TOUJOURS FAIRE :

- Important! Toujours couper l'alimentation électrique au panneau électrique pendant l'installation et l'entretien, par exemple pour changer une ampoule.
- La hotte doit être installée conformément aux instructions d'installation et selon les codes locaux et d'état.
- Les travaux d'installation doivent être effectués par une personne compétente ou par un électricien qualifié.
- Éliminer les matériaux d'emballage avec soin. Ceux-ci peuvent présenter un risque pour les enfants.
- S'assurer que le conduit ne présente pas de coudes de plus de 90 degrés, ce qui réduit l'efficacité d'évacuation et le rendement de la hotte.
- Avertissement: Le défaut d'installer et de serrer les vis selon ces instructions peut entraîner un danger électrique.
- Avertissement: Avant d'accéder à n'importe quel fil, couper l'alimentation électrique au panneau électrique.
- Toujours respecter les exigences du fabricant de l'équipement de cuisson relatives aux besoins de ventilation.
- La hotte de cuisine est réservée à un usage résidentiel intérieur.



- Si le cordon d'alimentation est endommagé, il doit être remplacé par le fabricant, un représentant ou un électricien qualifié pour éviter tout danger.
- Attention: L'appareil et ses pièces accessibles peuvent devenir chaudes en cours d'utilisation. Veillez à ne pas toucher les éléments chauffants.
- Il existe un risque d'incendie si le nettoyage n'est pas effectué conformément aux instructions.
- La réglementation concernant l'évacuation de l'air doit respecter les codes locaux et d'état.
- Nettoyez périodiquement votre appareil en suivant les instructions d'Entretien et de nettoyage dans ce manuel d'instructions.
- Pour des raisons de sécurité, veuillez utiliser uniquement des vis de fixation ou de montage de même dimension que celles recommandées dans ce manuel d'instructions.
- Pour plus de détails sur la méthode et la fréquence de nettoyage, veuillez consulter la section Entretien et nettoyage de ce manuel d'instructions.
- Pour les informations relatives à l'installation adéquate de l'appareil, veuillez consulter la section Installation de ce manuel d'instructions.
- AVERTISSEMENT: Risque de feu, ne rangez pas d'objets sur les surfaces de cuisson.
- Ne pas utiliser de nettoyeur à vapeur ni de produits contenant du javel pour le nettoyage de la hotte.
- N'essayez JAMAIS d'éteindre un feu avec de l'eau. Arrêtez l'appareil puis recouvrez la flamme, par exemple à l'aide d'un couvercle ou d'une couverture antifeu.

# LISEZ CES DIRECTIVES ET CONSERVEZ-LES

## CONSIGNES DE SÉCURITÉ IMPORTANTES



### AVERTISSEMENT

- Débranchez la hotte de l'alimentation électrique avant de nettoyer ou de réparer l'appareil.
  - AFIN DE RÉDUIRE LES RISQUES DE FEU DE CUISINIÈRE :
    - Ne jamais laisser les appareils de cuisson sans surveillance lorsqu'ils sont réglés à feu vif. Les débordements engendrent de la fumée et des déversements graisseux pouvant s'enflammer. Chauffez l'huile lentement, à feu doux ou moyen.
    - Mettez toujours la hotte en marche lorsque vous cuisinez à feu vif ou que vous cuisinez des mets flambés (par ex., crêpes Suzette, cerises jubilé, boeuf au poivre flambé).
    - Nettoyez régulièrement l'hélice du ventilateur. Ne laissez pas la graisse s'accumuler sur le ventilateur, le filtre ou les conduits d'évacuation.
    - Utilisez le bon format de casserole. Servez-vous toujours de casseroles et d'ustensiles appropriés à la dimension de la surface de cuisson.
  - AFIN DE RÉDUIRE TOUT RISQUE DE BLESSURES LORS D'UN FEU DE CUISINIÈRE, SUIVEZ CES DIRECTIVES :
    - ÉTOUFFEZ LES FLAMMES avec un couvercle hermétique, une tôle à biscuits ou un plateau métallique et ensuite, éteignez le brûleur. PRENEZ SOIN D'ÉVITER LES BRÛLURES. Si les flammes ne s'éteignent pas immédiatement, ÉVACUEZ LES LIEUX ET APPELEZ LES POMPIERS.
    - NE PRENEZ JAMAIS UNE CASSEROLE EN FLAMMES DANS VOS MAINS - Vous pourriez vous brûler.
    - N'UTILISEZ PAS D'EAU, incluant un linge à vaisselle ou une serviette mouillée, cela pourrait occasionner une violente explosion de vapeur.
    - N'utilisez un extincteur QUE DANS LE CAS OÙ :
      - Vous possédez un extincteur de classe ABC et vous connaissez le fonctionnement.
      - Le feu est petit et limité à l'endroit où il a débuté.
      - Les pompiers ont été avisés.
      - Vous pouvez combattre le feu ayant accès à une sortie de secours.
  - Pour réduire les risques de feu ou de choc électrique, n'utilisez pas cet appareil avec une commande de vitesse à semi-conducteur additionnelle.
  - Hotte câblée en permanence
- AFIN DE RÉDUIRE LE RISQUE DE FEU, DE CHOC ÉLECTRIQUE OU DE BLESSURES, SUIVEZ CES DIRECTIVES :
- N'utilisez cet appareil que de la manière prévue par le fabricant. Si vous avez des questions, communiquez avec le fabricant.
  - Avant de procéder à l'entretien ou au nettoyage de l'appareil, coupez l'alimentation du panneau électrique et verrouillez l'interrupteur principal afin d'empêcher que le courant ne soit rétabli accidentellement. S'il est impossible de verrouiller l'interrupteur principal, apposez un message d'avertissement bien visible, par exemple une étiquette, sur le panneau électrique.
- Hotte avec cordon d'alimentation
- AVERTISSEMENT : POUR ASSURER LA PROTECTION CONTRE LES CHOCS ÉLECTRIQUES, NE BRANCHEZ L'APPAREIL QUE SUR UNE PRISE DE COURANT CORRECTEMENT MISE À LA TERRE
- Cet appareil n'est pas destiné à être utilisé par des personnes (notamment des enfants) qui présentent des capacités physiques, sensorielles ou mentales réduites, ou qui manquent d'expérience et de connaissances, excepté si elles ont obtenu une assistance ou des instructions concernant l'utilisation de l'appareil de la part d'une personne responsable de leur sécurité.
  - Les enfants doivent être surveillés afin de s'assurer qu'ils ne jouent pas avec l'appareil.
  - Si le CORDON D'ALIMENTATION est endommagé, il doit être remplacé par le fabricant, un agent de service ou par du personnel qualifié afin d'éviter tout risque.
  - L'air ne doit pas être évacué dans un conduit utilisé pour l'évacuation des fumées d'équipements alimentés au gaz ou autre combustible.
  - Pour une meilleure évacuation des odeurs de cuisson, le bas de votre hotte devrait être situé À UN MINIMUM DE 26 po pour une cuisinière électrique ou de 30 po pour une cuisinière à gaz et à un maximum recommandé de 36 po au-dessus de la surface de cuisson (à la discrétion de l'installateur).
  - La réglementation relative à l'évacuation de l'air doit être respectée.
  - Pour réduire le risque de feu, de choc électrique ou de blessure, n'utilisez pas de pièces de rechange non recommandées par le fabricant (par exemple des pièces fabriquées à la maison avec une imprimante 3D).

## ATTENTION

- Pour ventilation générale uniquement. N'utilisez pas cet appareil pour évacuer des matières ou des vapeurs dangereuses ou explosives.
- La pièce doit disposer d'une ventilation adéquate si la hotte est utilisée en même temps que des équipements alimentés au gaz ou autre combustible.
- Il y a risque de feu si le nettoyage n'est pas effectué conformément aux instructions.
- Certaines parties de l'appareil peuvent devenir chaudes lors de l'utilisation d'appareils de cuisson.

## INSTALLATION

---



### AVERTISSEMENT

1. POUR RÉDUIRE LE RISQUE DE FEU, UTILISEZ UNIQUEMENT DES CONDUITS MÉTALLIQUES.

#### INSTRUCTIONS DE MISE À LA TERRE

2. Hotte avec cordon d'alimentation

Cet appareil doit être mis à la terre. En cas de court-circuit, la mise à la terre réduit les risques de choc électrique en permettant au courant de passer dans un fil de fuite. Cet appareil comporte un câble électrique muni d'un fil et d'une fiche de mise à la terre. Cette fiche doit être branchée dans une prise de courant correctement installée et mise à la terre.

**AVERTISSEMENT:** Une mise à la terre incorrecte peut entraîner un risque de choc électrique. Consultez un électricien qualifié si vous ne comprenez pas complètement les directives de mise à la terre ou si vous n'êtes pas sûr que l'appareil comporte une mise à la terre adéquate. N'utilisez pas de rallonge électrique. Si le cordon d'alimentation est trop court, contactez un électricien qualifié pour l'installation d'une prise de courant près de l'appareil.

3. Hotte câblée en permanence

**AFIN DE RÉDUIRE LES RISQUES DE FEU, DE CHOC ÉLECTRIQUE OU DE BLESSURES CORPORELLES, SUIVEZ LES DIRECTIVES SUIVANTES:**

- Les travaux d'installation et de raccordement électrique doivent être effectués par une personne qualifiée, conformément aux codes et aux standards de construction, incluant ceux concernant la protection contre les incendies.
- Une quantité d'air adéquate est requise afin d'assurer une bonne combustion et l'évacuation des gaz afin de prévenir les retours de cheminée. Conformez-vous aux instructions et aux standards de sécurité des fabricants d'équipement de chauffage, tel qu'ils sont publiés par la National Fire Protection Association (NFPA) et l'American Society for Heating, Refrigeration and Air Conditioning Engineers (ASHRAE) ainsi que les codes locaux et d'état.
- Veillez à ne pas endommager le câblage électrique ou d'autres équipements non apparents lors de la découpe ou du perçage du mur ou du plafond.
- Les ventilateurs avec des conduits doivent toujours évacuer l'air à l'extérieur.
- Les travaux d'installation et de raccordement électrique doivent être effectués par du personnel qualifié conformément au code national de l'électricité, ANSI/NFPA 70 et aux codes locaux et d'état. Avant de débiter l'installation, coupez l'alimentation électrique en verrouillant le panneau de distribution afin d'éviter sa remise en marche accidentelle. Si le panneau de distribution ne peut être verrouillé, y fixer un avertissement en évidence, telle qu'une étiquette de couleur vive.
- Connectez le harnais de fils au câble d'alimentation domestique dans le compartiment électrique. Le conducteur du produit identifié comme conducteur neutre (BLANC) doit être connecté à un conducteur neutre (BLANC) de l'alimentation électrique, le conducteur du produit identifié comme conducteur sous tension (NOIR) doit être connecté à un conducteur sous tension (NOIR) de l'alimentation électrique, le conducteur du produit identifié pour la mise à la terre de l'équipement (VERT/JAUNE) doit être connecté à un conducteur de mise à la terre de l'équipement (VERT/NU/CUIVRE). Fixez le câble d'alimentation au compartiment électrique à l'aide d'un serre-câble approprié et remplacez le couvercle du compartiment électrique.



### ATTENTION

Pour réduire les risques de feu et pour évacuer l'air correctement, assurez-vous d'évacuer l'air à l'extérieur - n'évacuez pas l'air dans des espaces situés à l'intérieur des murs ou des plafonds, ni dans un grenier, un vide sanitaire ou un garage.

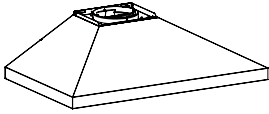
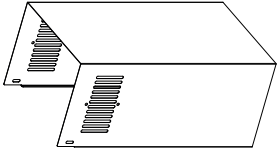
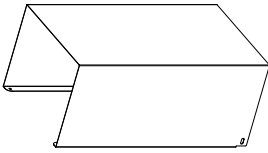
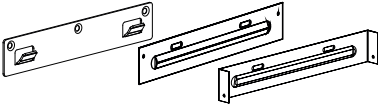
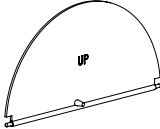
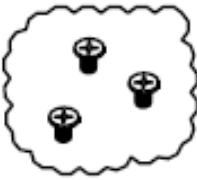
#### Préparation de l'installation

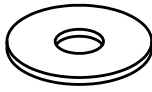
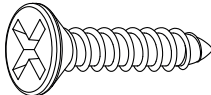
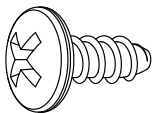
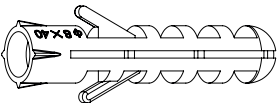
Outils et accessoires recommandés pour l'installation:

- Ruban à mesurer
- Perceuse et foret de 5/16 po
- Tournevis Phillips # 2
- Tourne-écrou
- Ruban adhésif en aluminium (installations avec conduits)
- Ciseaux (pour couper le ruban adhésif en aluminium)
- Crayon
- Pince à dénuder

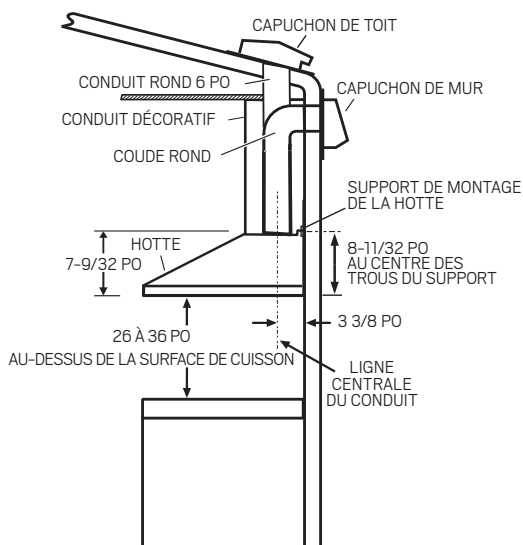
## Contenu

Avant de procéder à l'installation, vérifier le contenu de la boîte. Si des items sont manquants ou endommagés, contacter immédiatement le fabricant. S'assurer que les items suivants sont inclus:

N°	ITEM	IMAGE	QTÉ
1	Hotte et filtres (2-30 po / 3-36 po) (installés dans la hotte)		1
2	Conduit décoratif supérieur		1
3	Conduit décoratif inférieur		1
4	Supports de montage		1 ensemble (3 pièces)
5	Clapet		1
6	Sac de pièces		1 sac

N°	CONTENU DU SAC DE PIÈCES	IMAGE	QTÉ
1	Rondelles		2
2	Vis de montage (N° 8 x 1-1/2 po)		7
3	Vis de montage (N° 8 x 1/4 po)		6
4	Ancrages pour cloison sèche		7

## INSTALLATION DES CONDUITS (INSTALLATION AVEC CONDUITS SEULEMENT)



### NOTE :

La distance minimale de la hotte au-dessus de la surface de cuisson NE DOIT PAS ÊTRE INFÉRIEURE à 26 po pour une cuisinière électrique ou de 30 po pour une cuisinière à gaz.

Un maximum de 36 po au-dessus de la surface de cuisson est fortement recommandé pour une meilleure évacuation des odeurs de cuisson.

Une distance supérieure à 36 po demeure à la discrétion de l'installateur et de l'utilisateur si la hauteur du plafond le permet.

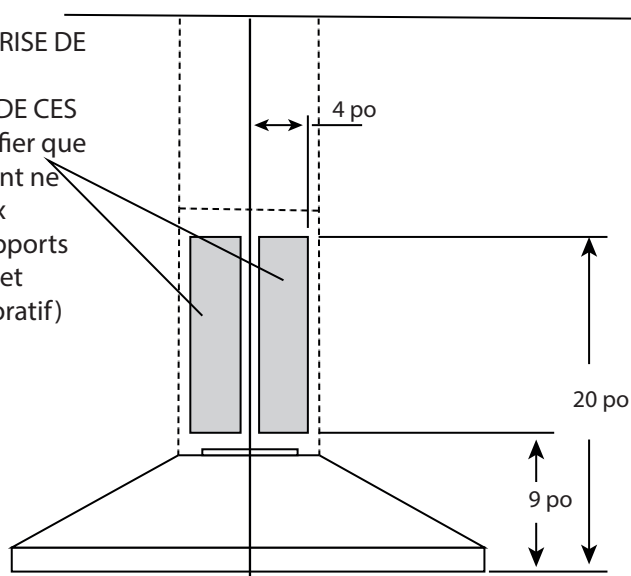
1. Établir où le conduit passera entre la hotte et l'extérieur.
2. Un conduit droit et court permettra à votre hotte de fonctionner plus efficacement.
3. Le conduit reliant cette hotte à l'extérieur du bâtiment a un effet direct sur le débit de l'air, le bruit généré et la consommation d'énergie de son ventilateur. Pour obtenir le meilleur rendement, utiliser un conduit le plus droit et le plus court possible, en évitant de raccorder le ventilateur de la hotte à un conduit de format plus petit que recommandé. De l'isolant autour du conduit peut réduire la perte d'énergie et empêcher la croissance de moisissures. Les hottes installées avec un conduit préexistant pourraient ne pas atteindre leur débit nominal. Veuillez vous référer au tableau ci-bas pour vous aider à planifier l'installation la plus efficace.
4. Installer un capuchon de toit ou de mur. Raccorder le conduit métallique rond au capuchon et acheminer le conduit jusqu'à l'emplacement de la hotte. Utiliser du ruban adhésif en aluminium pour sceller les raccords entre les sections de conduit.

Longueurs maximales de conduit recommandées pour obtenir une efficacité d'évacuation de 80 %		
LONGUEUR MAXIMALE DE CONDUIT ROND DE 6 PO	CAPUCHON DE MUR OU DE TOIT AVEC CLAPET	COUDE(S)* (90° ET/OU 45°)
217 PI	1	0
206 PI	1	1
195 PI	1	2

\* Coudes standards avec rayon interne de 1 po

## INSTALLATION DU CÂBLAGE

PLACER LA PRISE DE COURANT À L'INTÉRIEUR DE CES ZONES. (Vérifier que l'emplacement ne nuira pas aux conduits, supports de montage et conduit décoratif)



### INSTRUCTIONS DE MISE À LA TERRE :

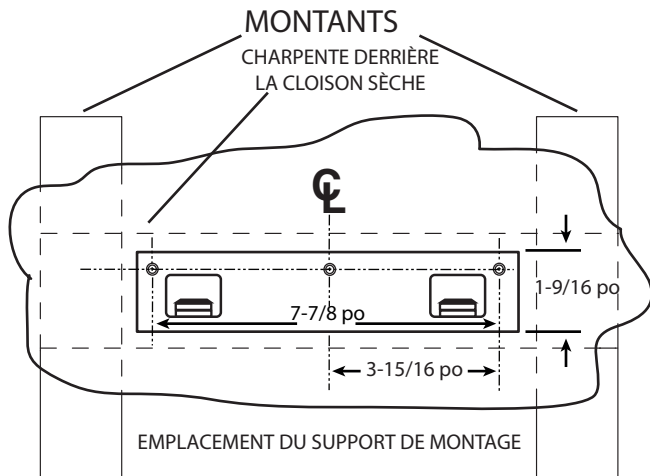
Cet appareil doit être mis à la terre. En cas de court-circuit, la mise à la terre réduit les risques de choc électrique en permettant au courant de passer dans un fil de fuite. Cet appareil comporte un câble électrique muni d'un fil et d'une fiche de mise à la terre. Cette fiche doit être branchée dans une prise de courant correctement installée et mise à la terre. Aucune rallonge électrique ne doit être utilisée.

### NOTE :

Une prise encastrée est recommandée.

Placer la prise de courant dans l'espace recouvert par le conduit décoratif et à un endroit où elle ne nuira pas au passage du conduit rond. S'assurer qu'elle n'empiète pas sur la zone de fixation des supports de montage, du conduit et de l'endroit où le conduit décoratif touche au mur.

## INSTALLATION DU SUPPORT DE MONTAGE DE LA HOTTE



HAUTEUR PLAFOND	TYPE INSTALLATION	DISTANCE DE LA HOTTE AU-DESSUS DE LA SURFACE DE CUISSON										
		26 po	27 po	28 po	29 po	30 po	31 po	32 po	33 po	34 po	35 po	36 po
		EMPLACEMENT DU SUPPORT DE MONTAGE AU-DESSUS DE LA SURFACE DE CUISSON										
8 PI	AVEC CONDUITS	34-3/8 po	35-3/8 po	36-3/8 po	37-3/8 po	38-3/8 po	39-3/8 po	40-3/8 po	41-3/8 po	42-3/8 po	43-3/8 po	44-3/8 po
	SANS CONDUITS	34-3/8 po	35-3/8 po	36-3/8 po	37-3/8 po	38-3/8 po	39-3/8 po	40-3/8 po	-	-	-	-
9 PI	AVEC CONDUITS	34-3/8 po*	35-3/8 po*	36-3/8 po*	37-3/8 po*	38-3/8 po*	39-3/8 po*	40-3/8 po*	41-3/8 po*	42-3/8 po*	43-3/8 po	44-3/8 po
	SANS CONDUITS	34-3/8 po*	35-3/8 po*	36-3/8 po*	37-3/8 po*	38-3/8 po*	39-3/8 po*	40-3/8 po*	41-3/8 po*	42-3/8 po*	43-3/8 po	44-3/8 po
10 PI	AVEC CONDUITS	-	-	-	-	-	-	-	-	42-3/8 po*	43-3/8 po*	44-3/8 po*
	SANS CONDUITS	-	-	-	-	-	-	-	-	42-3/8 po*	43-3/8 po*	44-3/8 po*

\* Rallonge de conduit décoratif modèle FXN58SS requise (vendue séparément).

1. Construire une charpente de bois qui affleure la surface intérieure des montants du mur.

Prendre soin :

- de centrer cette charpente avec l'emplacement d'installation.
- de donner une hauteur suffisante à la charpente afin de pouvoir y fixer solidement le support de montage selon les mesures indiquées.

2. Une fois la surface du mur finie, centrer le support de montage bien de niveau et le fixer à la charpente à l'aide de (3) vis n° 8 x 1-1/2 po. Serrer complètement les vis.

NOTE : Ne pas utiliser d'ancrages pour cloison sèche.

Pour les plafonds de 8 pi

La distance de la hotte au-dessus de la surface de cuisson est :

Minimum 26 po, Maximum 36 po (installation avec conduits)

Minimum 26 po, Maximum 32 po (installation sans conduits)

Pour les plafonds de 9 pi

La distance de la hotte au-dessus de la surface de cuisson est :

Minimum 26 po, Maximum 36 po (installation avec ou sans conduits)

NOTE : Les dimensions ci-dessus marquées d'un astérisque (\*) nécessitent une rallonge de conduit décoratif modèle FXN58SS (vendue séparément).

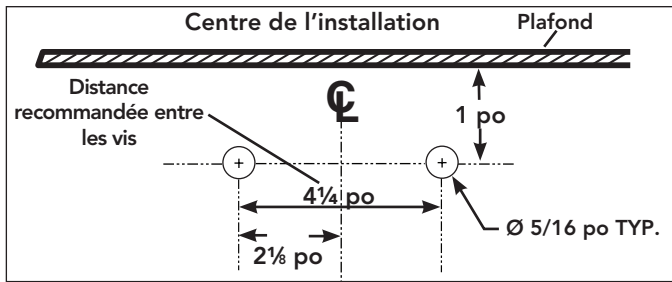
Pour les plafonds de 10 pi

La distance de la hotte au-dessus de la surface de cuisson est :

Minimum 34 po, Maximum 36 po (installation avec ou sans conduits)

NOTE : Les dimensions ci-dessus marquées d'un astérisque (\*) nécessitent une rallonge de conduit décoratif modèle FXN58SS (vendue séparément).

## INSTALLATION DU SUPPORT DE MONTAGE DU CONDUIT DÉCORATIF SUPÉRIEUR

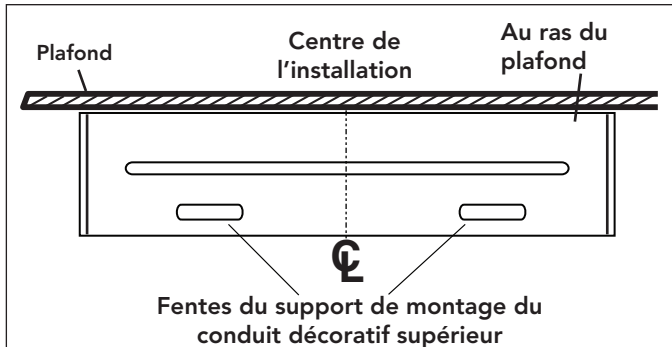


1. Si aucune pièce de charpente n'est présente, percer deux trous de 5/16 po aux endroits indiqués. Insérer des ancrages pour cloison sèche dans les trous.

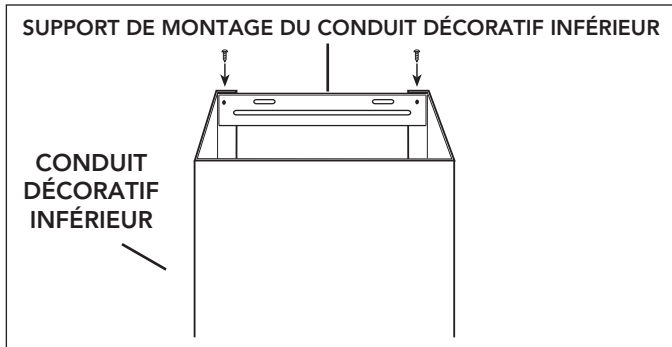
2. Centrer le support avec l'emplacement de la hotte au ras du plafond. S'assurer que les fentes du support de montage du conduit décoratif supérieur sont en bas. Fixer le support de montage au mur avec (2) vis de montage n° 8 x 1-1/2 po.

NOTE : Utiliser un niveau pour s'assurer que le support est de niveau.

3. Serrer complètement les vis. S'assurer que le support est fermement appuyé contre le mur.



## INSTALLATION DU SUPPORT DE MONTAGE DU CONDUIT DÉCORATIF INFÉRIEUR

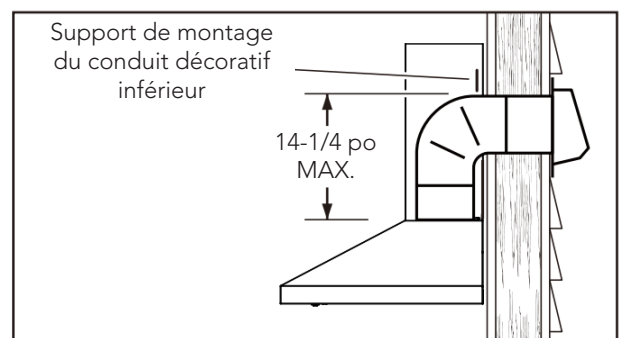
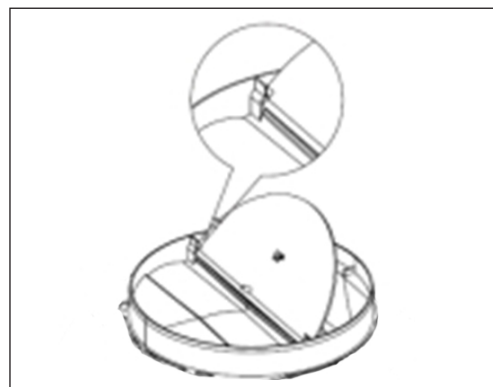


1. Installer le support sur le conduit décoratif inférieur à l'aide de (2) vis n° 8 x 1/4 po. S'assurer que le support est placé à l'intérieur des rebords du conduit inférieur et que les fentes sont en haut.

ATTENTION: Pour éviter d'endommager la hotte, utiliser seulement les vis n° 8 x 1/4 po fournies pour assembler le conduit décoratif inférieur et le conduit décoratif supérieur.

## INSTALLATION DE LA HOTTE (ÉVACUATION HORIZONTALE SEULEMENT)

1. NE PAS enlever à cette étape la pellicule protectrice en plastique recouvrant la hotte et le conduit décoratif.
2. Placer la hotte sur une table, sur le dos. Utiliser un carton pour éviter d'endommager la table ou la hotte.
3. Installer le clapet à l'intérieur de l'ouverture d'évacuation du ventilateur, en s'assurant que la tige soit sur le dessus.
4. Enlever les filtres à graisse en poussant la languette de plastique et en basculant les filtres vers le bas.
5. Avec précaution, tourner la hotte à la verticale.
6. S'assurer qu'il y a suffisamment d'espace entre le haut de la hotte et le support de montage inférieur pour laisser passer le conduit. Le coude doit être situé en-dessous du support de montage inférieur.



- Aligner la hotte et la centrer au-dessus de son support de montage. Abaisser doucement la hotte jusqu'à ce qu'elle s'engage solidement dans le support.

NOTE: Utiliser un niveau pour s'assurer que le support est de niveau.

- La hotte étant suspendue en place, percer à travers les deux trous situés à l'intérieur de l'arrière du boîtier de la hotte à l'aide d'une mèche de 5/16 po. Insérer les ancrages pour cloison sèche dans les trous percés (un dans chaque trou). Installer (2) rondelles et (2) vis de montage n° 8 x 1-1/2 po à travers l'arrière de la hotte et dans les ancrages pour cloison sèche pour fixer la hotte. Vérifier que la hotte est centrée et de niveau. Serrer complètement les vis.

- Remettre en place les filtres à graisse en alignant les ergots arrière des filtres dans les fentes de la hotte. En poussant le loquet de plastique, mettre le filtre en place, puis relâcher. Vérifier que les filtres sont bien en place.

- Mesurer et installer un conduit rond de 6 po jusqu'au capuchon de toit ou capuchon mural et un coude de 90° sur l'ouverture d'évacuation du ventilateur de la hotte. Utiliser du ruban adhésif en aluminium pour fixer solidement tous les raccords et pour assurer leur étanchéité.

- Brancher le cordon d'alimentation de la hotte dans la prise de courant.

- Enlever le conduit décoratif supérieur à l'intérieur du conduit décoratif inférieur. Fixer le support sur le conduit décoratif inférieur à l'aide de (2) vis n° 8 x 1/4 po. S'assurer que le support est placé à l'intérieur des rebords du conduit inférieur et que les fentes sont en haut. Glisser soigneusement le conduit décoratif supérieur à l'intérieur du conduit décoratif inférieur. Enlever uniquement la pellicule protectrice en plastique recouvrant le conduit décoratif inférieur.

- Placer soigneusement les conduits décoratifs dans l'espace au-dessus de la hotte. Pousser le conduit décoratif supérieur légèrement de côté pour éviter de l'abîmer lors de l'installation du conduit inférieur au-dessus de la hotte à l'aide de (2) vis n° 8 x 1/4 po à travers les fentes de côté du conduit décoratif inférieur.

- Glisser le conduit décoratif supérieur vers le haut jusqu'à ce qu'il soit aligné avec le support de montage supérieur. Le support doit être à l'intérieur du conduit décoratif. Fixer le conduit supérieur au support avec (2) vis de montage n° 8 x 1/4 po.

- Enlever la pellicule protectrice en plastique recouvrant la hotte et le conduit décoratif supérieur.

#### INSTALLATION DE LA HOTTE (ÉVACUATION VERTICALE SEULEMENT)

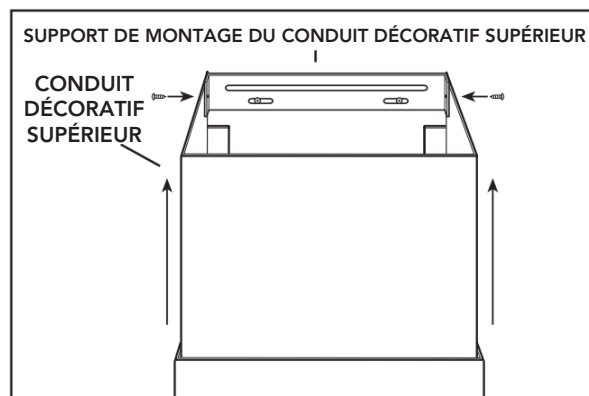
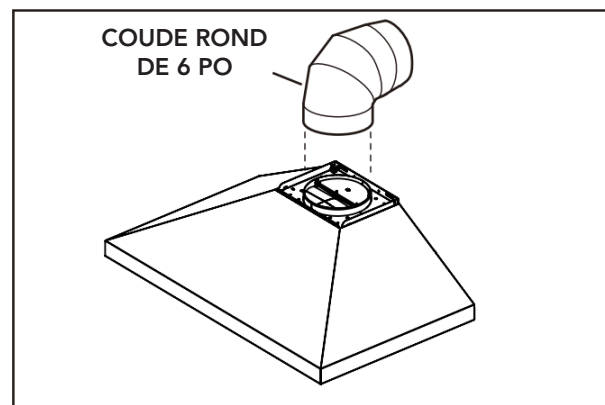
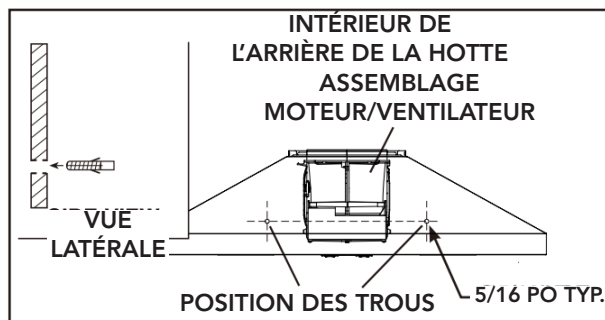
- NE PAS enlever à cette étape la pellicule protectrice en plastique recouvrant la hotte et le conduit décoratif.

- Placer la hotte sur une table, sur le dos. Utiliser un carton pour éviter d'endommager la table ou la hotte.

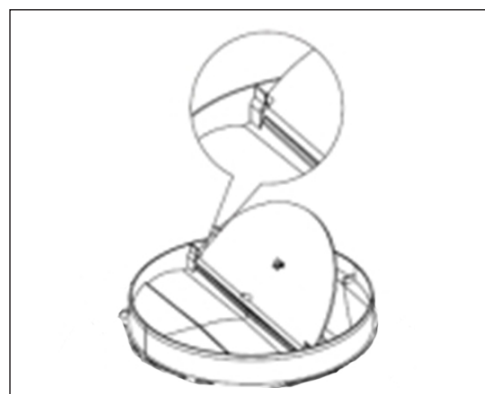
- Installer le clapet à l'intérieur de l'ouverture d'évacuation du ventilateur, en s'assurant que la tige soit sur le dessus.

- Enlever les filtres à graisse en poussant sur la languette de plastique et en basculant les filtres vers le bas.

- Avec précaution, tourner la hotte à la verticale.

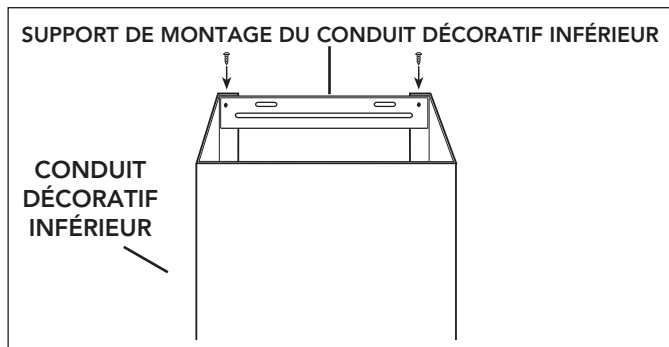


NOTE: Les plafonds de 9 pi et 10 pi nécessitent la rallonge de conduit décoratif FXN58SS (vendue séparément). Se défaire du conduit décoratif supérieur fourni avec la hotte et le remplacer par la rallonge de conduit FXN58SS.



- Enlever le conduit décoratif supérieur à l'intérieur du conduit décoratif inférieur. Fixer le support sur le conduit décoratif inférieur à l'aide de (2) vis n° 8 x 1/4 po. S'assurer que le support est placé à l'intérieur des rebords du conduit inférieur et que les fentes sont en haut. Glisser soigneusement le conduit décoratif supérieur à l'intérieur du conduit décoratif inférieur. Enlever uniquement la pellicule protectrice en plastique recouvrant le conduit décoratif inférieur.

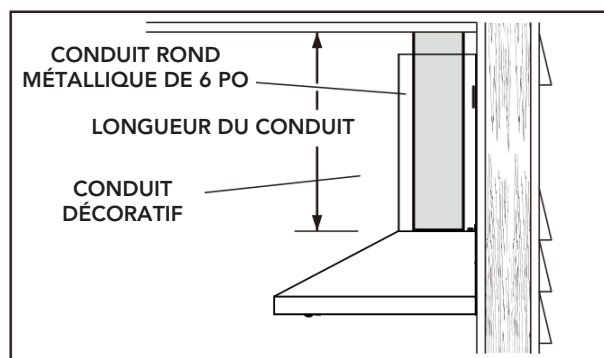
ATTENTION: Pour éviter d'endommager la hotte, utiliser seulement les vis n° 8 x 1/4 po fournies pour assembler le conduit décoratif inférieur et le conduit décoratif supérieur.



NOTE: Les plafonds de 9 pi et 10 pi nécessitent la rallonge de conduit décoratif FXN58SS (vendue séparément). Se défaire du conduit décoratif supérieur fourni avec la hotte et le remplacer par la rallonge de conduit FXN58SS.

- Placer soigneusement les conduits décoratifs dans l'espace au-dessus de la hotte.

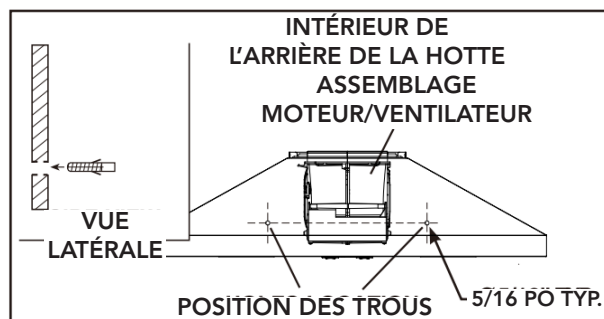
- Mesurer et installer un conduit rond métallique de 6 po sur le connecteur de conduit de la hotte. Utiliser du ruban adhésif en aluminium pour fixer solidement tous les raccords et pour assurer leur étanchéité.



- Soulever la hotte, la maintenir près de son emplacement et brancher le cordon d'alimentation dans la prise de courant.

- Aligner et centrer la hotte au-dessus du support de montage. S'assurer qu'elle est alignée avec le conduit du plafond et fixer celui-ci. Abaisser doucement la hotte jusqu'à ce qu'elle s'engage solidement dans le support de montage.

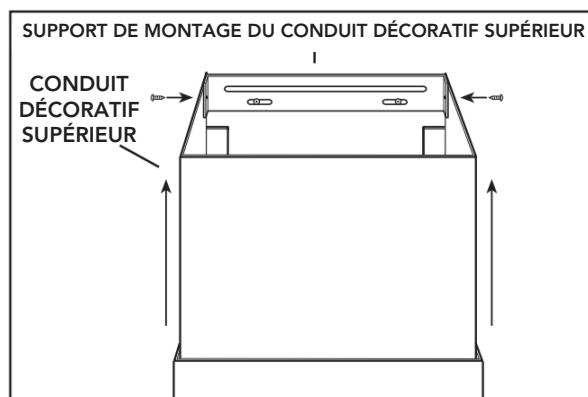
- Utiliser du ruban adhésif en aluminium pour fixer solidement tous les raccords et pour assurer leur étanchéité.



- La hotte étant suspendue en place, percer à travers les deux trous situés à l'intérieur de l'arrière du boîtier de la hotte à l'aide d'une mèche de 5/16 po. Insérer les ancrages pour cloison sèche dans les trous percés (un dans chaque trou). Installer (2) rondelles et (2) vis de montage n° 8 x 1-1/2 po à travers l'arrière de la hotte et dans les ancrages pour cloison sèche pour fixer la hotte. Vérifier que la hotte est centrée et de niveau. Serrer complètement les vis.

- Remettre en place les filtres à graisse en alignant les ergots arrière des filtres dans les fentes de la hotte. En poussant le loquet de plastique, mettre le filtre en place, puis relâcher. Vérifier que les filtres sont bien en place.

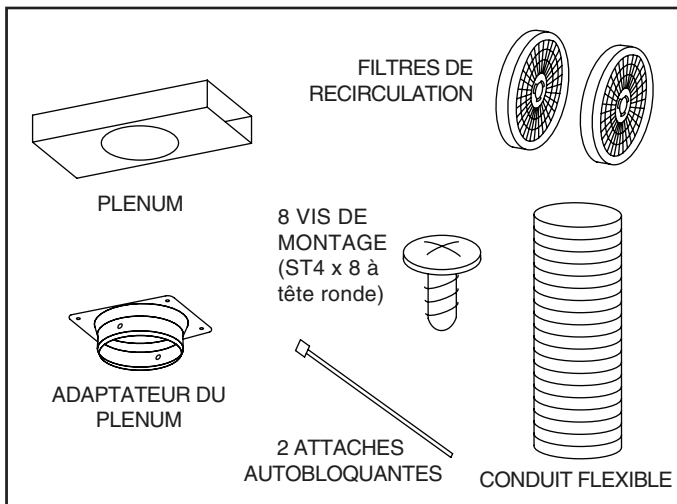
- Pousser le conduit décoratif supérieur légèrement de côté pour éviter de l'abîmer lors de l'installation du conduit inférieur au-dessus de la hotte à l'aide de (2) vis n° 8 x 1/4 po à travers les fentes de côté du conduit décoratif inférieur.



- Glisser le conduit décoratif supérieur vers le haut jusqu'à ce qu'il soit aligné avec le support de montage supérieur. Le support doit être à l'intérieur du conduit décoratif. Fixer le conduit supérieur au support avec (2) vis de montage n° 8 x 1/4 po.

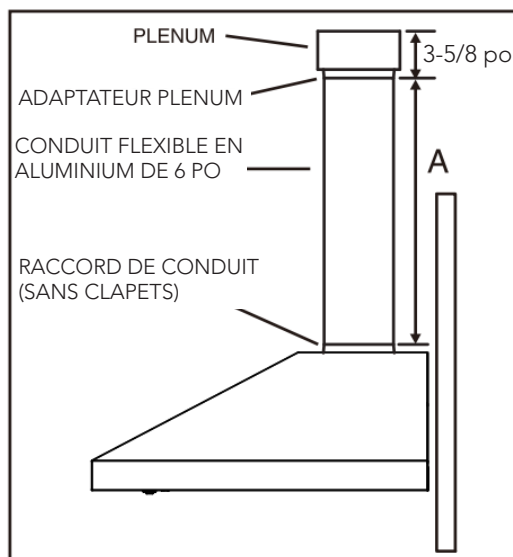
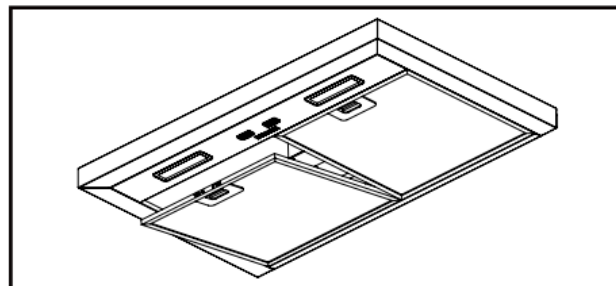
- Enlever la pellicule protectrice en plastique recouvrant la hotte et le conduit décoratif supérieur.

CONTENU DE L'ENSEMBLE DE RECIRCULATION WPRRCK



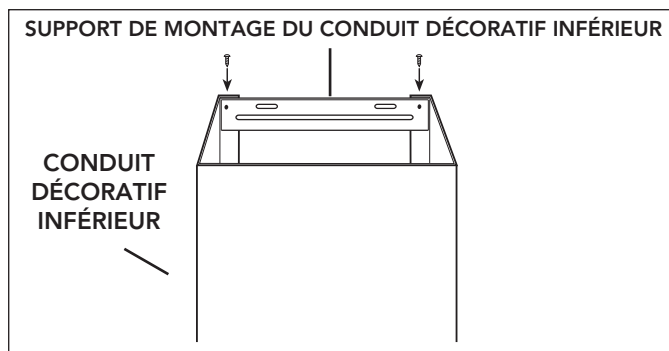
NOTE: Les installations sans conduits nécessitent l'ensemble de recirculation, modèle WPRRCK (vendu séparément).

1. ATTENTION: Utiliser uniquement le conduit flexible fourni.
2. Ne pas enlever à cette étape la pellicule protectrice en plastique recouvrant la hotte et le conduit décoratif.
3. Placer la hotte sur une table, sur le dos. Utiliser un carton pour éviter d'endommager la table ou la hotte.
4. Enlever les filtres à graisse en poussant sur la languette de plastique et en basculant les filtres vers le bas.
5. Fixer l'adaptateur de plenum au plenum à l'aide de (4) vis n° 8 x 1/4 po à tête cylindrique.
6. Mesurer la distance A. Elle correspondra à la longueur du conduit flexible étiré.
7. Fixer une extrémité du conduit flexible en aluminium au raccord de conduit avec l'attache autobloquante.
8. Fixer l'autre extrémité du conduit flexible à l'adaptateur du plenum avec l'attache autobloquante. Sceller tous les raccords avec du ruban adhésif en aluminium.



NOTE: Les plafonds de 9 pi et 10 pi nécessitent la rallonge de conduit décoratif FXN58SS (vendue séparément). Se défaire du conduit décoratif supérieur fourni avec la hotte et le remplacer par la rallonge de conduit FXN58SS.

- Enlever le conduit décoratif supérieur à l'intérieur du conduit décoratif inférieur. Fixer le support sur le conduit décoratif inférieur à l'aide de (2) vis n° 8 x 1/4 po. S'assurer que le support est placé à l'intérieur des rebords du conduit inférieur et que les fentes sont en haut. Glisser soigneusement le conduit décoratif supérieur à l'intérieur du conduit décoratif inférieur. Enlever uniquement la pellicule protectrice en plastique recouvrant le conduit décoratif inférieur.



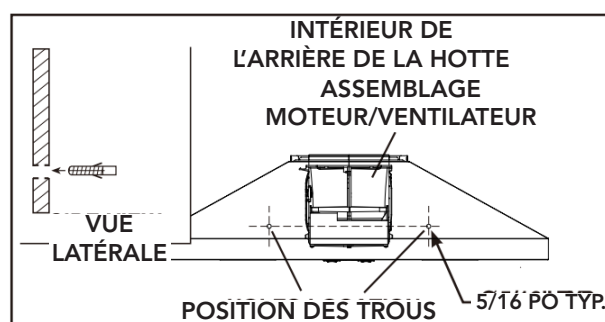
- Placer soigneusement les conduits décoratifs dans l'espace au-dessus de la hotte. Pousser le conduit décoratif supérieur légèrement de côté pour éviter de l'abîmer lors de l'installation du conduit inférieur au-dessus de la hotte à l'aide de (2) vis n° 8 x 1/4 po à travers les fentes de côté du conduit décoratif inférieur.

**ATTENTION:** Pour éviter d'endommager la hotte, utiliser seulement les vis n° 8 x 1/4 po fournies pour assembler le conduit décoratif inférieur et le conduit décoratif supérieur.

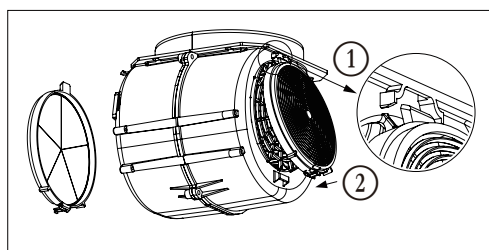
- Fixer le plenum avec son adaptateur au conduit décoratif supérieur à l'aide de (4) vis n° 8 x 1/4 po à tête cylindrique.

- Soulever et maintenir la hotte près de son emplacement et brancher son cordon d'alimentation dans la prise.

- Aligner et centrer la hotte au-dessus du support de montage. Abaisser doucement la hotte jusqu'à ce qu'elle s'engage solidement dans le support.



- La hotte étant suspendue en place, percer à travers les deux trous situés à l'intérieur de l'arrière du boîtier de la hotte à l'aide d'une mèche de 5/16 po. Insérer les ancrages pour cloison sèche dans les trous percés (un dans chaque trou). Installer (2) rondelles et (2) vis de montage n° 8 x 1-1/2 po à travers l'arrière de la hotte et dans les ancrages pour cloison sèche pour fixer la hotte. Vérifier que la hotte est centrée et de niveau. Serrer complètement les vis.

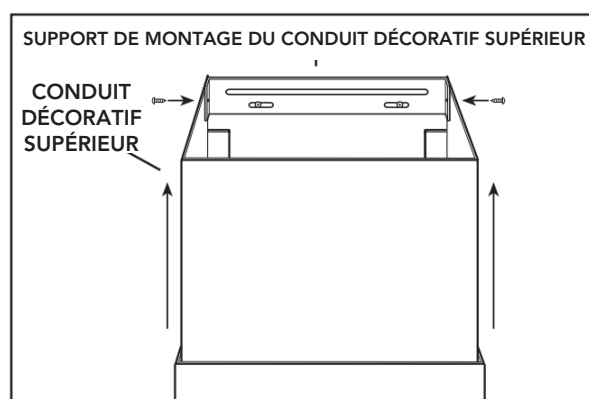


- Fixer (2) filtres de recirculation aux côtés du ventilateur en insérant la patte dans la fente supérieure sur le ventilateur (1), puis engager la clip sur la patte de verrouillage en appuyant sur la partie inférieure du filtre (2). S'assurer que le filtre est bien fixé au ventilateur.

- Pour remplacer les filtres de recirculation - veuillez acheter WPRCF.

- Remettre en place les filtres à graisse en alignant les ergots arrière des filtres dans les fentes de la hotte. En poussant le loquet de plastique, mettre le filtre en place, puis relâcher. Vérifier que les filtres sont bien en place.

- Glisser le conduit décoratif supérieur vers le haut jusqu'à ce qu'il soit aligné avec le support de montage supérieur. Le support doit être à l'intérieur du conduit décoratif. Fixer le conduit supérieur au support avec (2) vis de montage n° 8 x 1/4 po.



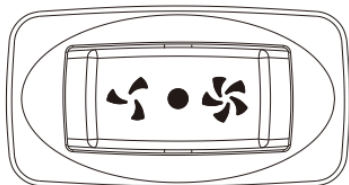
- Enlever la pellicule protectrice en plastique recouvrant la hotte et le conduit décoratif.




## FONCTIONNEMENT

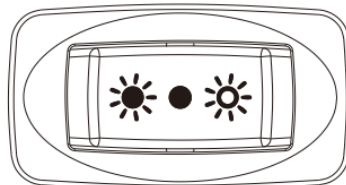
Toujours mettre en marche la hotte avant de commencer la cuisson afin d'établir une circulation d'air dans la cuisine. Laisser également la hotte fonctionner 10 minutes après l'arrêt de la cuisinière afin de nettoyer l'air. Cela aidera à maintenir la cuisine plus propre et plus fraîche.

Faire fonctionner la hotte comme suit :

### COMMANDES À BASCULE



1. Appuyer sur  pour mettre le ventilateur en marche à basse vitesse.
2. Appuyer sur  pour arrêter le ventilateur.
3. Appuyer sur  pour mettre le ventilateur en marche à haute vitesse.



NOTE : Cette hotte comprend 2 modes de température de couleur d'éclairage (CCT) (chaud - 3000 K et froid 6000 K)

1. Appuyer sur  pour allumer un éclairage chaud.
2. Appuyer sur  pour éteindre l'éclairage.
3. Appuyer sur  pour allumer un éclairage froid.

## ENTRETIEN ET NETTOYAGE

L'entretien adéquat de la hotte préservera ses performances.

### MOTEUR

Le moteur est lubrifié en permanence et n'a pas besoin d'être huilé. Si les roulements du moteur sont anormalement bruyants, remplacer le moteur uniquement par le même modèle.

### FILTRES À GRAISSE

Les filtres à graisse doivent être nettoyés fréquemment. Utiliser une solution d'eau chaude de détergent. Les filtres sont lavables au lave-vaisselle. Nettoyer les filtres fabriqués entièrement de métal au lave-vaisselle à l'aide d'un détergent sans phosphate. L'utilisation d'un détergent avec phosphate ainsi que les conditions locales de l'eau peuvent entraîner une décoloration des filtres, sans toutefois affecter leur performance. Cette décoloration n'est pas couverte par la garantie.

### FILTRES DE RECIRCULATION

Les filtres de recirculation devraient être remplacés tous les 6 mois. Remplacer plus souvent si vos habitudes de cuisson génèrent plus de graisse, par exemple la friture ou les aliments sautés au wok. Appuyer sur la clip sur la partie inférieure du filtre de recirculation pour dégager le filtre de la patte de verrouillage; enlever le filtre et le remplacer.

### NETTOYAGE DE L'ACIER INOXYDABLE

#### À FAIRE :

- Laver régulièrement les surfaces à l'aide d'un chiffon propre imbibé d'eau chaude et de savon doux ou de détergent liquide à vaisselle.
- Toujours nettoyer dans le sens du polissage.
- Toujours bien rincer avec de l'eau claire (2 ou 3 fois) après le nettoyage. Essuyer complètement.
- Un nettoyant domestique conçu spécialement pour l'acier inoxydable peut aussi être utilisé.

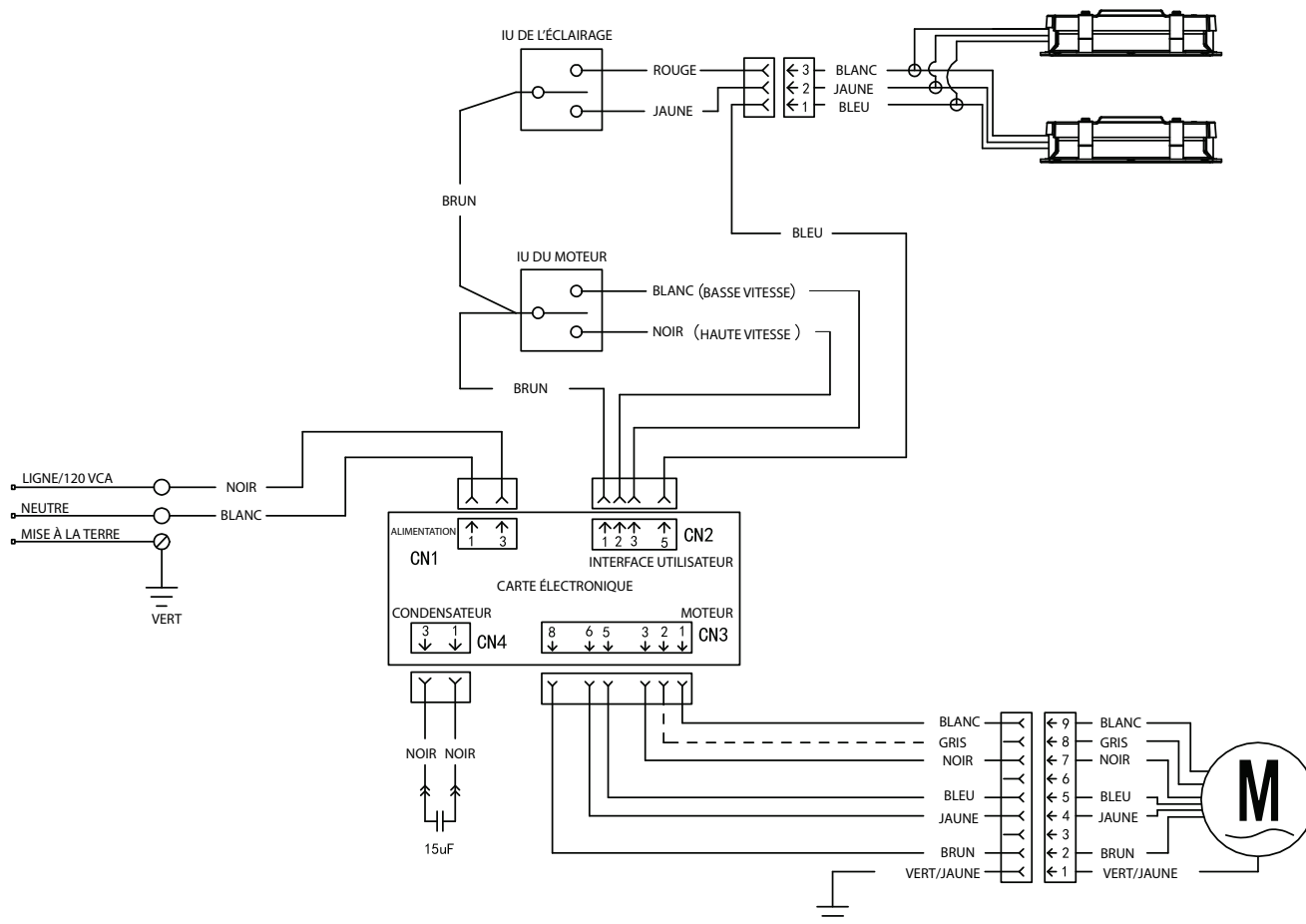
#### À NE PAS FAIRE :

- Utiliser de la laine d'acier ou de la laine d'acier inoxydable ou tout autre grattoir pour enlever la saleté tenace.
- Utiliser une poudre nettoyante abrasive ou rugueuse.
- Laisser la saleté s'accumuler.
- Laisser la poussière de plâtre ou tout autre résidu de construction atteindre la hotte. Couvrir la hotte pour la durée des travaux afin de s'assurer qu'aucune poussière n'atteigne la hotte.

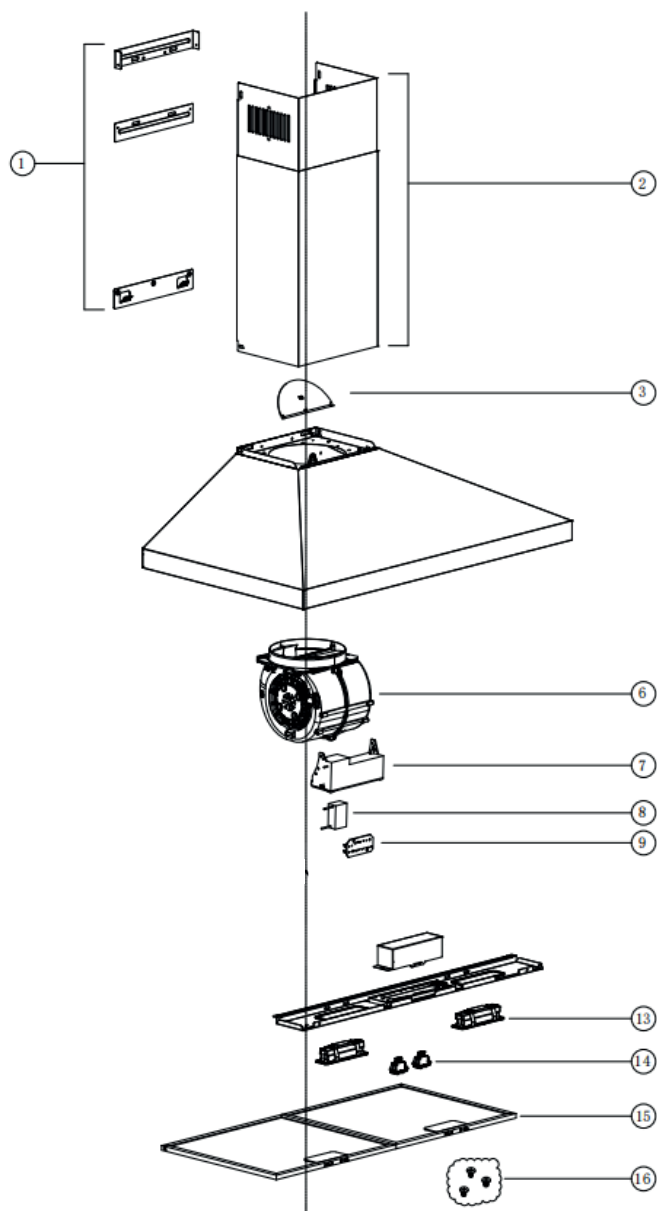
#### À ÉVITER LORS DU CHOIX D'UN DÉTERGENT :

- Tout produit nettoyant contenant des agents de blanchiment; ils attaqueront l'acier inoxydable.
- Tout produit contenant : chlorure, fluorure, iode, bromure; ils détérioreront rapidement les surfaces.
- Tout produit combustible utilisé pour le nettoyage: acétone, alcool, éther, benzène, etc.; ils sont grandement explosifs et ne devraient jamais être utilisés près d'une cuisinière.

# SCHÉMA DE CÂBLAGE



## PIÈCES DE REMPLACEMENT



Item	N° pièce	Description	Qté
1	S99528929	Supports de montage (ensemble de 3)	1
2	S99526972	Conduits décoratifs supérieur et inférieur	1
3	S99010499	Clapet de volet	1
6	S1119587	Assemblage moteur et ventilateur	1
7	S1119588	Boîtier de plastique de la carte électronique	1
8	S1119589	Condensateur	1
9	S1119590	Carte électronique	2
13	S1119591	Module DEL	1
14	S1119592	Interrupteur à bascule (ensemble de 2)	1
15	S1119571	Filtres à graisse (2 par hotte)	1
	S1119572	Filtres à graisse (3 par hotte)	1
16	S99010500	Sac de pièces	1
*	WPRCF	Filtres de recirculation	1
*	S99526992	Assemblage plenum	1
*	WPRRCK	Ensemble recirculation	1
*	FXN58SS	Rallonge conduit décoratif	1

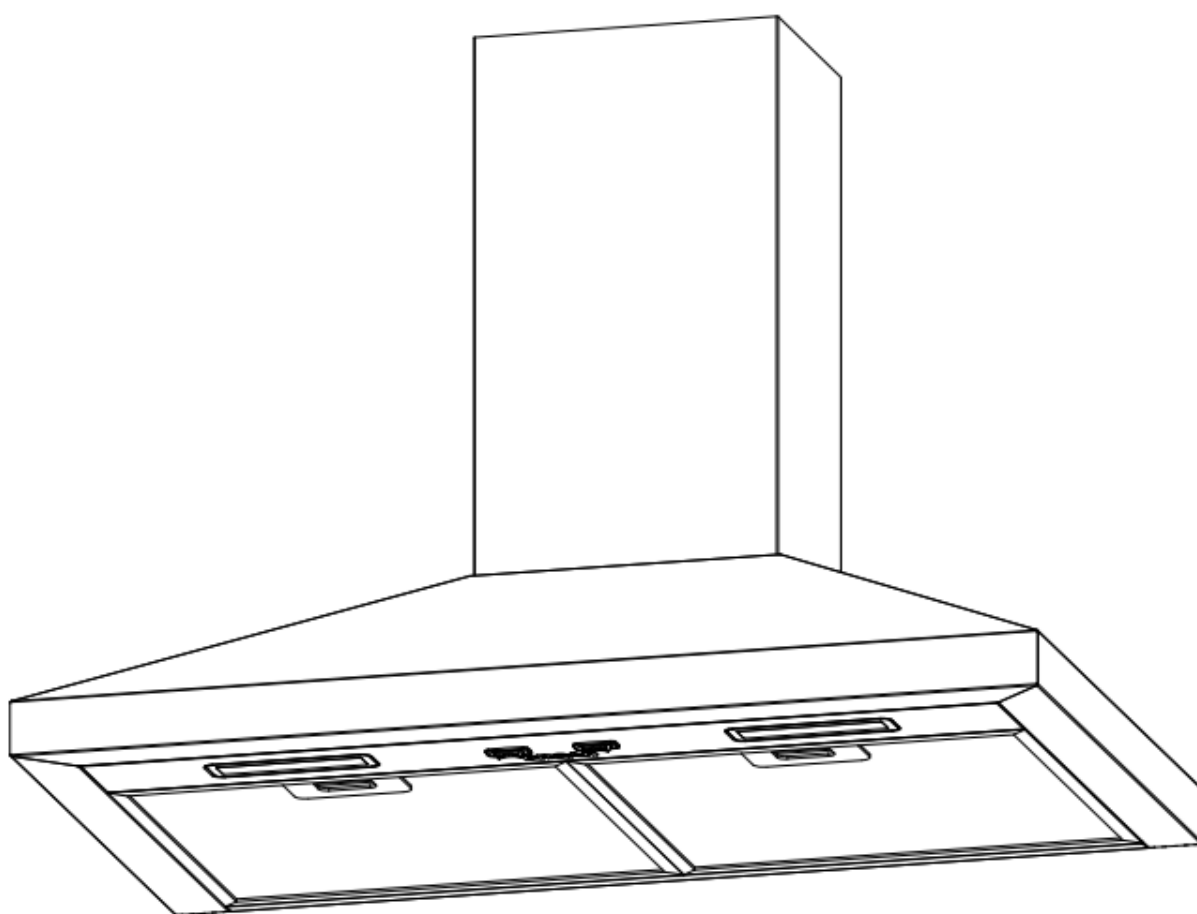
\* Non montré

Broan-NuTone Genuine Parts peuvent être achetées en ligne au <https://shop.broan-nutone.com>parts>

# BROAN<sup>®</sup> NuTone

WPR302CSSE  
WPR362CSSE

## MANUAL DE INSTALACIÓN, USO Y CUIDADO



Para información completa sobre la garantía o para obtener instrucciones más detalladas, escribe su número de modelo en nuestro sitio web.

## TABLA DE CONTENIDO

---

<b>SEGURIDAD</b>	<b>35</b>
<b>INSTALACIÓN</b>	<b>37</b>
INSTALACIÓN DE LOS CONDUCTOS (INSTALACIÓN CON CONDUCTOS SOLAMENTE)	39
INSTALACIÓN DEL CABLEADO	39
INSTALACIÓN DEL SOPORTE DE MONTAJE DE LA CAMPANA	40
INSTALACIÓN DEL SOPORTE DE MONTAJE DEL CONDUCTO DECORATIVO SUPERIOR	41
INSTALACIÓN DE LA CAMPANA (DESCARGA HORIZONTAL SOLAMENTE)	41
INSTALACIÓN DE LA CAMPANA (DESCARGA VERTICAL SOLAMENTE)	42
INSTALACIÓN DE LA CAMPANA (INSTALACIÓN SIN CONDUCTOS)	44
<b>FUNCIONAMIENTO</b>	<b>46</b>
<b>MANTENIMIENTO Y LIMPIEZA</b>	<b>46</b>
<b>DIAGRAMA DE CABLEADO</b>	<b>47</b>
<b>PIEZAS DE REPUESTO</b>	<b>48</b>

## SEGURIDAD

Este manual explica la instalación y el uso adecuados de su campana. Léalo detenidamente antes de usar el producto, aunque esté familiarizado con el mismo. Mantenga el manual en un lugar seguro para consultas en el futuro.

### NUNCA HAGA LO SIGUIENTE :

- No intente usar la campana sin los filtros de grasa o si los filtros están excesivamente grasos.
- No la instale sobre una estufa con una parilla de alto nivel de más de 25 000 BTU.
- No deje sartenes friendo sin vigilar mientras la use, pues las grasas o los aceites sobrecalentados pueden incendiarse.
- Nunca deje llamas abiertas debajo de la campana.



- Si la campana no funciona correctamente, no intente usarla.
- No flambeo nada bajo la campana.
- **PRECAUCIÓN:** Las piezas accesibles pueden calentarse cuando se usan con enseres de cocina.
- El aire no debe descargarse hacia una chimenea que se use para extraer humos de equipos quemadores de gas u otros combustibles. Las campanas y otros extractores de humo de cocina pueden afectar negativamente el funcionamiento seguro de los equipos quemadores de gas u otros combustibles (incluso los de otras habitaciones) debido al contraflujo de los gases de combustión. Estos gases pueden ocasionar intoxicación por monóxido de carbono. Después de instalar una campana u otro extractor de humo de cocina, una persona competente debe probar el funcionamiento de los equipos quemadores de gas con salida de humo para asegurarse de que no haya contraflujo de gases de combustión.



### SIEMPRE HAGA LO SIGUIENTE :

- **Importante!** Siempre desconecte el suministro de energía eléctrica en el interruptor principal durante la instalación y el mantenimiento, como al cambiar las bombillas de luz.
- La campana debe instalarse de acuerdo con las instrucciones de instalación y se deben seguir los códigos estatales y locales.
- El trabajo de instalación lo debe realizar una persona competente o un electricista calificado.
- Deseche con cuidado todos los materiales de empaque. Podrían significar un riesgo para los niños.
- Asegúrese de que los conductos no tengan codos de menos de 90 grados, pues esto reducirá la eficiencia de la campana.
- **Advertencia:** No instalar los tornillos o el dispositivo de fijación de acuerdo con estas instrucciones puede ocasionar riesgos eléctricos.
- **Advertencia:** Antes de lograr el acceso a las terminales, todos los circuitos de alimentación deben estar desconectados.
- Cumpla siempre con los requisitos del fabricante del equipo de cocina con respecto a las necesidades de ventilación.
- La campana es únicamente para uso doméstico.



- Si se daña el cable de alimentación, lo debe reemplazar el fabricante, su agente de servicio o un electricista calificado con el fin de evitar un riesgo.
- **Precaución:** Durante el funcionamiento, el aparato y sus piezas accesibles pueden calentarse. Tenga cuidado de no tocar los elementos que se calientan.
- Hay riesgo de fuego si la limpieza no se lleva a cabo de acuerdo con las instrucciones.
- Se deben cumplir los códigos estatales y locales relacionados con la descarga de aire.
- Limpie periódicamente el aparato de acuerdo con las instrucciones de Mantenimiento y de limpieza en este manual de instrucciones.
- Por razones de seguridad, use solamente el mismo tamaño de tornillo de fijación o montaje que se recomienda en este manual de instrucciones.
- Con respecto a los detalles acerca de la frecuencia de la limpieza, consulte la sección de Mantenimiento y de limpieza en este manual de instrucciones.
- Con respecto a la información acerca de cómo fijar el aparato en el soporte, consulte la sección Instalación en este manual de instrucciones.
- **ADVERTENCIA:** Riesgo de fuego, no almacene artículos sobre las superficies para cocinar.
- No se debe usar una limpiadora de vapor ni productos que contienen lejía para la limpieza de la campana.
- **NUNCA** trata de extinguir un fuego con agua; apague el aparato y luego cubra la llama con una tapa o una manta contra incendios.

# LEA Y CONSERVE ESTAS INSTRUCCIONES

## INSTRUCCIONES IMPORTANTES DE SEGURIDAD



### ADVERTENCIA

1. Antes de dar servicio o de limpiar el aparato, desconecte o desenchufe la campana de la fuente de alimentación.
  2. PARA REDUCIR EL RIESGO DE QUE ARDA LA GRASA EN LA PARTE SUPERIOR DE LA COCINA:
    - No deje nunca recipientes de cocina a fuego vivo sin vigilancia. Los desbordamientos producen humo y derrames grasientos que pueden inflamarse. Caliente el aceite despacio, a fuego lento o mediano.
    - Ponga en marcha siempre la campana extractora al cocinar a temperaturas elevadas o al cocinar alimentos flameados (crepas Suzette, cerezas jubilee, res con pimienta flambeada).
    - Limpie el ventilador con frecuencia. No deje que la grasa se acumule en el ventilador, ni en el filtro o en los conductos de evacuación.
    - Utilice cacerolas de tamaño apropiado. Emplee siempre un recipiente adecuado para el tamaño de la placa.
  3. PARA REDUCIR EL RIESGO DE LESIONES CORPORALES EN EL CASO DE QUE ARDA LA GRASA EN LA PARTE SUPERIOR DE LA COCINA, SIGA ESTAS INDICACIONES:
    - SOFOQUE LAS LLAMAS con una tapa ajustada, una hoja o bandeja metálica para hornear galletas, y apague el quemador. TENGA CUIDADO PARA EVITAR QUEMADURAS. Si las llamas no se apagan inmediatamente, EVACUE EL LUGAR Y LLAME A LOS BOMBEROS.
    - NO SUJETE NUNCA UNA SARTÉN EN LLAMAS - Ya que podría quemarse.
    - NO USE AGUA, ni trapos húmedos. Podría causar una violenta explosión de vapor.
    - Utilice un extintor SOLAMENTE si:
      - 1) Tiene un extintor de tipo ABC, y sabe usarlo.
      - 2) El fuego es pequeño y está circunscrito a la zona donde empezó.
      - 3) Ya ha llamado a los bomberos.
      - 4) Puede tratar de apagar el fuego si dispone siempre de una salida detrás de usted.
  4. Para reducir el riesgo de fuego o de descargas eléctricas, no use este aparato con ningún otro control de velocidad de estado sólido.
  5. Campana cableada de manera permanente
- PARA REDUCIR EL RIESGO DE FUEGO, DE DESCARGA ELÉCTRICA O DE LESIONES CORPORALES, SIGA ESTAS INDICACIONES:
- Use el aparato solo de la manera indicada por el fabricante. Si tiene preguntas, póngase en contacto con el fabricante.
  - Antes de dar servicio al aparato o de limpiarlo, interrumpa el suministro eléctrico en el panel de servicio y bloquee los medios de desconexión del servicio para evitar que la electricidad se reanude accidentalmente. Cuando no sea posible bloquear los medios de desconexión del servicio, ponga una señal de advertencia (como una etiqueta) en un lugar visible del panel de servicio.
6. Campana con cable de alimentación
- ADVERTENCIA: PARA PROTEGER CONTRA DESCARGAS ELÉCTRICAS, CONÉCTELA ÚNICAMENTE EN TOMACORRIENTES DEBIDAMENTE CONECTADOS A TIERRA.
7. Este aparato no está diseñado para que lo usen personas (incluidos niños) con capacidades físicas, sensoriales o mentales reducidas, o que carezcan de experiencia y conocimientos, a menos que cuenten con supervisión o instrucción acerca del uso del aparato por una persona responsable de su seguridad.
  8. Se debe supervisar a los niños para garantizar que no jueguen con el aparato.
  9. Si se daña el CABLE DE ALIMENTACIÓN, lo debe reemplazar el fabricante, su agente de servicio o un electricista calificado con el fin de evitar un riesgo.
  10. El aire no debe descargarse hacia una chimenea que se use para extraer humos de equipos quemadores de gas u otros combustibles.
  11. Para lograr una mejor captura de las impurezas producidas al cocinar, la parte inferior de la campana debería estar A UN MÍNIMO DE 26 pulg. para una cocina eléctrica o de 30 pulg. para una cocina de gas y a un máximo recomendado de 36 pulg. por encima de la superficie para cocinar (a discreción del instalador).
  12. Se deben cumplir los reglamentos relacionados con la descarga de aire.
  13. Para reducir el riesgo de fuego, descarga eléctrica o lesiones corporales, no use piezas de repuesto que no estén recomendadas por el fabricante (es decir, piezas hechas en casa con una impresora de 3D).

## PRECAUCIÓN

1. Solo para usarse como medio de ventilación general. No debe usarse para la extracción de materiales y vapores peligrosos o explosivos.
2. Se deberá contar con la ventilación adecuada de la habitación donde se use la campana al mismo tiempo que equipos quemadores de gas u otros combustibles.
3. Hay riesgo de fuego si la limpieza no se lleva a cabo de acuerdo con las instrucciones.
4. Ciertas partes del aparato pueden calentarse cuando se usan con aparatos de cocina.

## INSTALACIÓN

---



### ADVERTENCIA

1. PARA REDUCIR EL RIESGO DE FUEGO, USE SOLAMENTE CONDUCTOS METÁLICOS.

#### INSTRUCCIONES PARA LA PUESTA A TIERRA

2. Campana con cable de alimentación

Este aparato debe estar conectado a tierra. En caso de un corto circuito eléctrico, la puesta a tierra reduce el riesgo de una descarga eléctrica al suministrar un cable de escape para la corriente eléctrica. Este aparato está equipado con un cordón que tiene cable de conexión a tierra y clavija de conexión a tierra. La clavija debe conectarse a un tomacorriente que esté adecuadamente instalado y conectado a tierra.

**ADVERTENCIA:** Una puesta a tierra inadecuada puede producir el riesgo de una descarga eléctrica. Consulte a un electricista calificado si no se entienden totalmente las instrucciones de puesta a tierra o si tiene alguna duda en cuanto a la conexión a tierra apropiada del aparato. No utilice una extensión eléctrica. Si el cable de alimentación es demasiado corto, solicite a un electricista calificado que instale una toma eléctrica cerca del aparato.

3. Campana cableada de manera permanente

**PARA REDUCIR EL RIESGO DE FUEGO, DESCARGAS ELÉCTRICAS O LESIONES CORPORALES, SIGA ESTAS INDICACIONES:**

- La instalación y la conexión eléctrica deben ser realizadas por personal calificado de acuerdo con todos los códigos y normas aplicables, incluso los relativos a la construcción ignífuga.
- Para lograr una combustión adecuada y una extracción correcta de los gases a través de la salida del humo (chimenea) del equipo quemador de combustible - evitando así el contratiro - es necesario disponer de aire suficiente. Siga las directrices del fabricante del equipo de calefacción y las normas de seguridad, como las que publica la NFPA (asociación de protección contra los incendios), y la ASHRAE (sociedad estadounidense de técnicos de calefacción, refrigeración y aire acondicionado) así como los códigos estatales y locales.
- Al cortar o perforar a través de la pared o del techo, tenga cuidado de no dañar el cableado eléctrico ni otros servicios ocultos.
- Los ventiladores con conductos siempre deben tener salida hacia el exterior.
- La instalación y la conexión eléctrica deben ser realizadas por personal calificado de acuerdo con el Código Eléctrico Nacional, ANSI/NFPA 70 y los códigos estatales y locales. Antes de comenzar a instalar el aparato, apáguelo en el tablero de servicio y bloquee los medios de desconexión para impedir que la corriente se conecte accidentalmente. Cuando no se pueda bloquear los medios de desconexión, coloque un dispositivo de advertencia visible (como una etiqueta) en el tablero de servicio.
- Conecte el arnés de hilos al cable de alimentación de la casa en el compartimiento eléctrico. El conductor del producto identificado como conductor neutro (BLANCO) debe conectarse a un conductor neutro (BLANCO) de la alimentación eléctrica, el conductor del producto identificado como conductor bajo tensión (NEGRO) debe conectarse a un conductor bajo tensión (NEGRO) de la alimentación eléctrica, el conductor del producto identificado para la puesta a tierra del aparato (VERDE/AMARILLO) debe conectarse a un conductor de puesta a tierra del aparato (VERDE/DESNUDO/COBRE). Fije el cable de alimentación al compartimiento eléctrico usando una abrazadera adecuada y vuelva a colocar la tapa del compartimiento eléctrico.



### PRECAUCIÓN

Para reducir el riesgo de fuego y para extraer adecuadamente el aire, asegúrese de dirigir el aire hacia el exterior. No extraiga el aire hacia espacios confinados entre paredes o cielos rasos, ni hacia áticos, sótanos bajos ni cocheras.

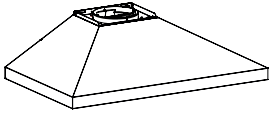
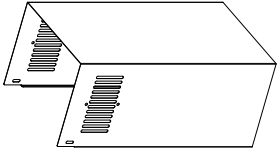
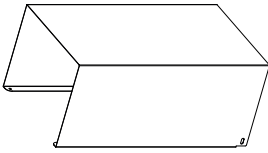
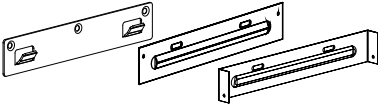
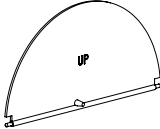
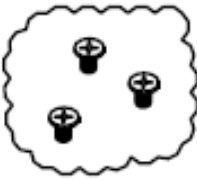
#### Preparación para la instalación

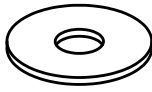
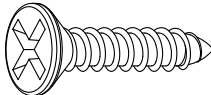
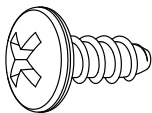
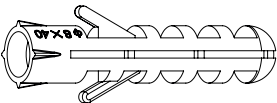
Herramientas y accesorios recomendados para la instalación:

- Cinta de medir
- Taladro y broca de 5/16 pulg.
- Destornillador Phillips N.º 2
- Tuerca
- Cinta adhesiva metálica (aplicaciones con conductos)
- Tijeras (para cortar la cinta adhesiva metálica)
- Lápiz
- Pelacables

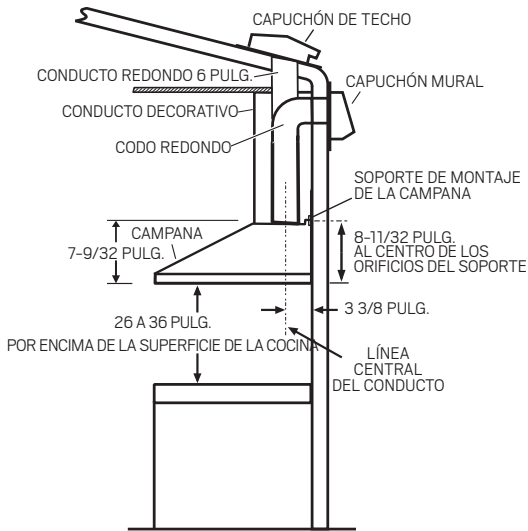
## Contenido

Antes de empezar la instalación, verifique el contenido de la caja. Si faltan elementos o hay elementos dañados, póngase en contacto con el fabricante. Compruebe que estén en la caja los siguientes elementos:

Nº	ELEMENTO	DIBUJO	CANT.
1	Campana y filtros (2-30 pulg. / 3-36 pulg.) (instalados en la campana)		1
2	Conducto decorativo superior		1
3	Conducto decorativo inferior		1
4	Soportes de montaje		1 kit (3 piezas)
5	Compuerta		1
6	Bolsa de piezas		1 bolsa

Nº	CONTENIDO DE LA BOLSA DE PIEZAS	DIBUJO	CANT.
1	Arandelas		2
2	Tornillos de montaje (Nº 8 x 1-1/2 pulg.)		7
3	Tornillos de montaje (Nº 8 x 1/4 pulg.)		6
4	Tacos de anclaje para panel de yeso		7

## INSTALACIÓN DE LOS CONDUCTOS (INSTALACIÓN CON CONDUCTOS SOLAMENTE)



### NOTA:

La distancia mínima de la campana por encima de la superficie de la cocina **NO DEBE SER INFERIOR** a 26 pulg. para una cocina eléctrica o a 30 pulg. para una cocina de gas.

Se recomienda un máximo de 36 pulg. por encima de la superficie de la cocina para lograr una mejor captura de las impurezas producidas al cocinar.

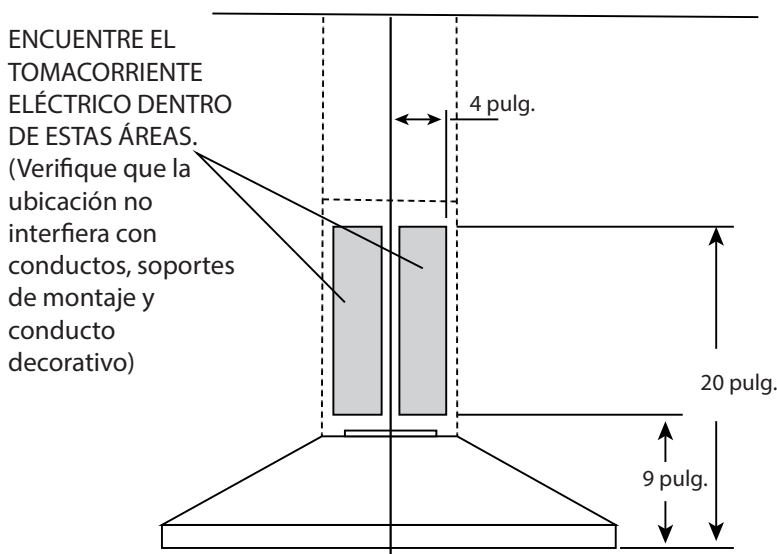
Una distancia superior a 36 pulg. es a discreción del instalador y del usuario si lo permite la altura del techo.

1. Decida por dónde pasarán los conductos entre la campana y el exterior.
2. Un conducto recto y corto permitirá a su campana de funcionar con mayor eficacia.
3. El conducto que conecta la campana con el exterior del edificio tiene un efecto directo sobre el flujo de aire, el ruido generado y el consumo de energía de su ventilador. Para obtener el mejor rendimiento, utilice un conducto lo más recto y corto posible, evitando conectar el ventilador de la campana a un conducto más pequeño de lo recomendado. El uso de aislante alrededor del conducto puede reducir la pérdida de energía y prevenir el crecimiento de moho. Las campanas instaladas con conductos preexistentes pueden no alcanzar su caudal nominal. Consulte la tabla siguiente para planificar la instalación más eficiente.
4. Instale un capuchón mural o un capuchón de techo. Conecte el conducto metálico redondo al capuchón y vuelva al lugar donde se encuentra la campana. Use cinta adhesiva metálica para sellar las juntas entre las secciones de los conductos.

Longitudes máximas de conducto recomendadas para lograr una eficiencia de evacuación de 80 %		
LONGITUD MAXIMAL DEL CONDUCTO REDONDO DE 6 PULG.	TAPA DE PARED OU DE TECHO CON COMPUERTA	CODO(S)* (90° y/o 45°)
217 PIES	1	0
206 PIES	1	1
195 PIES	1	2

\* Codos normales de radio interno de 1 pulg.

## INSTALACIÓN DEL CABLEADO



### INSTRUCCIONES PARA LA PUESTA A TIERRA:

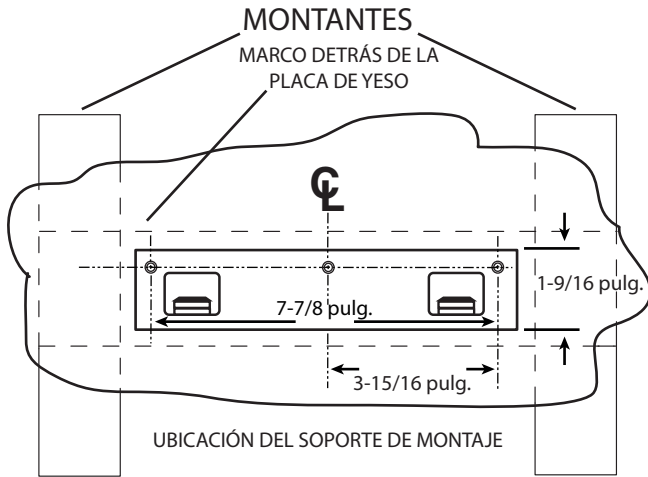
Este aparato debe estar conectado a tierra. En caso de un corto circuito eléctrico, la puesta a tierra reduce el riesgo de una descarga eléctrica. Este aparato está equipado con un cordón que tiene un cable con una clavija a tierra. La clavija debe conectarse a una toma eléctrica que esté instalada y conectada a tierra adecuadamente. No se debe usar un cable de extensión.

### NOTA:

Se recomienda un tomacorriente de reloj ahuecado.

Coloque el tomacorriente eléctrico dentro del espacio cubierto por el conducto decorativo y donde no interfiera con el conducto redondo. Asegúrese de que el tomacorriente no interfiera con el área de sujeción del soporte de montaje, conductos o donde el conducto decorativo toque la pared.

## INSTALACIÓN DEL SOPORTE DE MONTAJE DE LA CAMPANA



ALTURA TECHO	TIPO INSTALACIÓN	DISTANCIA DE LA CAMPANA POR ENCIMA DE LA SUPERFICIE DE LA COCINA										
		26 pulg.	27 pulg.	28 pulg.	29 pulg.	30 pulg.	31 pulg.	32 pulg.	33 pulg.	34 pulg.	35 pulg.	36 pulg.
		UBICACIÓN DEL SOPORTE DE MONTAJE POR ENCIMA DE LA SUPERFICIE DE LA COCINA										
8 PIES	CON CONDUCTOS	34-3/8 pulg.	35-3/8 pulg.	36-3/8 pulg.	37-3/8 pulg.	38-3/8 pulg.	39-3/8 pulg.	40-3/8 pulg.	41-3/8 pulg.	42-3/8 pulg.	43-3/8 pulg.	44-3/8 pulg.
	SIN CONDUCTOS	34-3/8 pulg.	35-3/8 pulg.	36-3/8 pulg.	37-3/8 pulg.	38-3/8 pulg.	39-3/8 pulg.	40-3/8 pulg.	-	-	-	-
9 PIES	CON CONDUCTOS	34-3/8 pulg.*	35-3/8 pulg.*	36-3/8 pulg.*	37-3/8 pulg.*	38-3/8 pulg.*	39-3/8 pulg.*	40-3/8 pulg.*	41-3/8 pulg.*	42-3/8 pulg.*	43-3/8 pulg.	44-3/8 pulg.
	SIN CONDUCTOS	34-3/8 pulg.*	35-3/8 pulg.*	36-3/8 pulg.*	37-3/8 pulg.*	38-3/8 pulg.*	39-3/8 pulg.*	40-3/8 pulg.*	41-3/8 pulg.*	42-3/8 pulg.*	43-3/8 pulg.	44-3/8 pulg.
10 PIES	CON CONDUCTOS	-	-	-	-	-	-	-	-	42-3/8 pulg.*	43-3/8 pulg.*	44-3/8 pulg.*
	SIN CONDUCTOS	-	-	-	-	-	-	-	-	42-3/8 pulg.*	43-3/8 pulg.*	44-3/8 pulg.*

\* Se requiere la extensión de conducto decorativo modelo FXN58SS (se compra por separado).

1. Construya un bastidor de madera en la pared que quede al ras de la superficie inte de los montantes de la pared.

Asegúrese de que:

- el bastidor esté centrado en el lugar de la instalación.
- la altura del bastidor permita fijar el soporte de montaje en el bastidor dentro de las dimensiones mostradas.

2. Después de terminar con la superficie de la pared, centre con cuidado y nivele el soporte de montaje de la campana, y asegúrelo al bastidor de la pared con tres (3) tornillos de montaje de 8 x 1-1/2 pulg. Apriete totalmente los tornillos.

NOTA: No use tacos de anclaje para panel de yeso.

Para techos de 8 pies

La distancia de la campana por encima de la superficie de la cocina es:

Mínima de 26 pulg., Máxima de 36 pulg. (instalación con conductos)

Mínima de 26 pulg., Máxima de 32 pulg. (instalación sin conductos)

Para techos de 9 pies

La distancia de la campana por encima de la superficie de la cocina es:

Mínima de 26 pulg., Máxima de 36 pulg. (instalación con o sin conductos)

NOTA: Las dimensiones de arriba marcadas con un asterisco (\*) requieren una extensión de conducto decorativo modelo FXN58SS (se compra por separado).

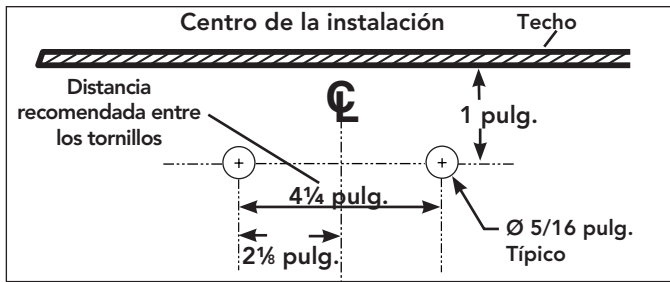
Para techos de 10 pies

La distancia de la campana por encima de la superficie de la cocina es:

Mínima de 34 pulg., Máxima de 36 pulg. (instalación con o sin conductos)

NOTA: Las dimensiones de arriba marcadas con un asterisco (\*) requieren una extensión de conducto decorativo modelo FXN58SS (se compra por separado).

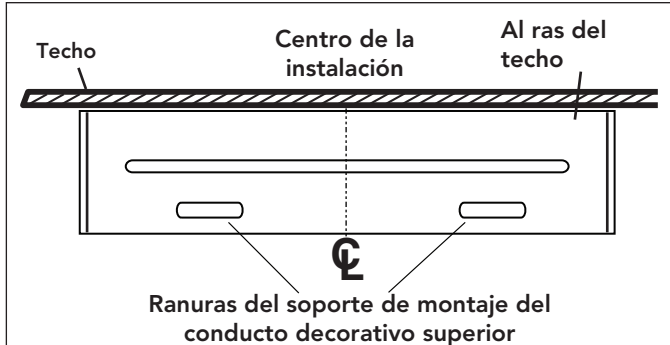
## INSTALACIÓN DEL SOPORTE DE MONTAJE DEL CONDUCTO DECORATIVO SUPERIOR



1. Si no tiene ahí un bastidor, perfore dos orificios de 5/16 pulg. de diámetro donde se muestra. Inserte tacos de anclaje para panel de yeso en los orificios.
2. Centre el soporte sobre la ubicación de la campana al ras con el techo. Asegúrese de que las ranuras del soporte de montaje del conducto decorativo superior estén en la parte inferior. Fije el soporte de montaje a la pared usando dos (2) tornillos de montaje n.º 8 x 1-1/2 pulg.

NOTA: Use un nivel para asegurarse de que el soporte esté nivelado.

3. Apriete totalmente los tornillos. Asegúrese de que el soporte esté apretado contra la pared.



## INSTALACIÓN DEL SOPORTE DE MONTAJE DEL CONDUCTO DECORATIVO INFERIOR

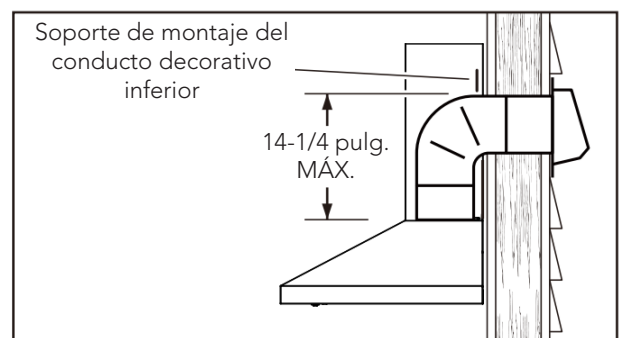
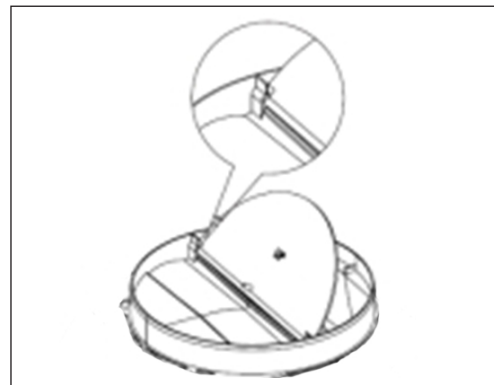


1. Instale el soporte sobre el conducto decorativo inferior usando dos (2) tornillos n.º 8 x 1/4 pulg. Asegúrese de que el soporte esté colocado al interior de los bordes del conducto inferior y que las ranuras estén hacia arriba.

PRECAUCIÓN: Para evitar dañar la campana, usar solamente los tornillos n.º 8 x 1/4 pulg. suministrados para ensamblar el conducto decorativo inferior y el conducto decorativo superior.

## INSTALACIÓN DE LA CAMPANA (DESCARGA HORIZONTAL SOLAMENTE)

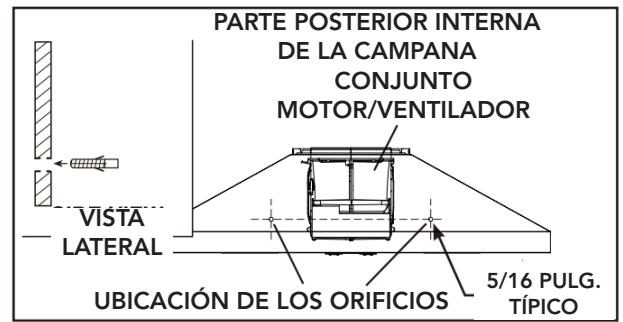
1. NO quite la película de plástico protector que cubre la campana y el conducto decorativo.
2. Deje la parte posterior de la campana plana sobre una mesa. Utilice un pedazo de cartón para evitar dañar la mesa o la campana.
3. Instale la compuerta en la abertura de descarga del ventilador asegurándose de que la barra esté por encima.
4. Quite los filtros de grasa empujando la lengüeta de plástico e inclinando los filtros hacia abajo.
5. Gire con cuidado la campana hacia arriba.
6. Asegúrese de que habrá una distancia adecuada entre la parte superior de la campana y el soporte de montaje inferior para dejar paso al conducto. El codo debe colocarse debajo del soporte de montaje inferior.



- Alinee la campana y céntrala arriba del soporte de montaje de la campana. Lentamente baje la campana hasta que se fije con seguridad en el soporte.

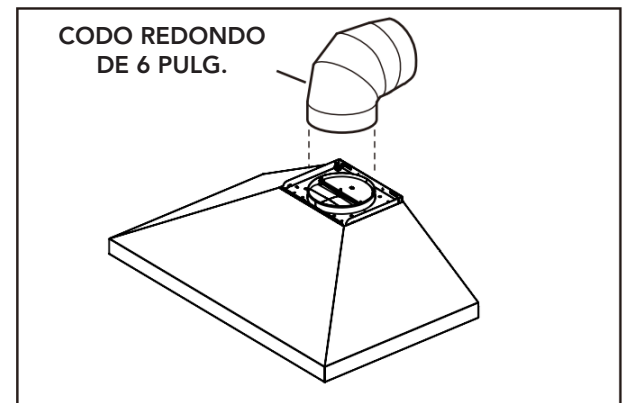
NOTA: Use un nivel para asegurarse de que el soporte esté nivelado.

- Con la campana colgada en su lugar, perforo los dos orificios situados en la parte interior trasera de la campana usando una broca de 5/16 pulg. Inserte los tacos de anclaje para panel de yeso en los orificios perforados (uno para cada orificio). Instale (2) arandelas y (2) tornillos de montaje n.º 8 x 1-1/2 pulg. a través de la parte trasera de la campana y en los tacos de anclaje para panel de yeso para sujetar la campana. Verifique que la campana esté centrada y nivelada. Apriete totalmente todos los tornillos.



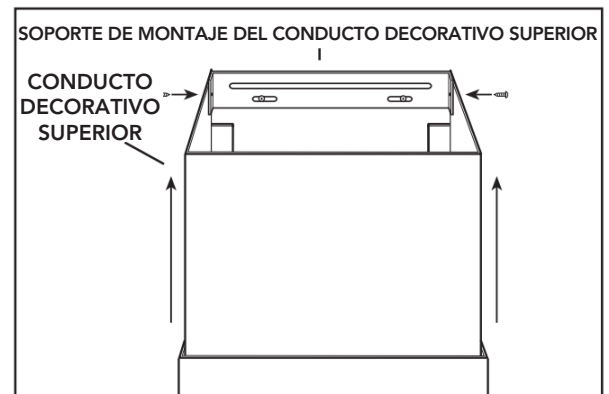
- Reinstale los filtros de grasa alineando las lengüetas posteriores de los filtros en las ranuras de la campana. Empujando la lengüeta de plástico, presione el filtro en su posición y libere. Verifique que los filtros se encontraban en su lugar.

- Mida e instale un conducto redondo de 6 pulg. al capuchón mural o de techo y un codo de 90° sobre la abertura de descarga del ventilador en la campana. Use cinta adhesiva metálica para sellar las juntas entre las secciones de los conductos.



- Conecte el cable de alimentación de la campana en el tomacorriente.

- Quite el conducto decorativo superior del interior del conducto decorativo inferior. Fije el soporte sobre el conducto decorativo inferior usando dos (2) tornillos de montaje n.º 8 x 1/4 pulg. Asegúrese de que el soporte esté colocado al interior de los bordes del conducto inferior y que las ranuras estén hacia arriba. Deslice con cuidado el conducto decorativo superior al interior del conducto decorativo inferior. Quite solamente la película de plástico protectora que cubre el conducto decorativo inferior.



- Coloque con cuidado los conductos decorativos en el área en la parte superior de la campana. Empuje ligeramente a un lado del conducto decorativo superior para evitar que se dañe al instalar el conducto decorativo inferior por encima de la campana usando dos (2) tornillos n.º 8 x 1/4 pulg. a través de las ranuras de los lados del conducto decorativo inferior.

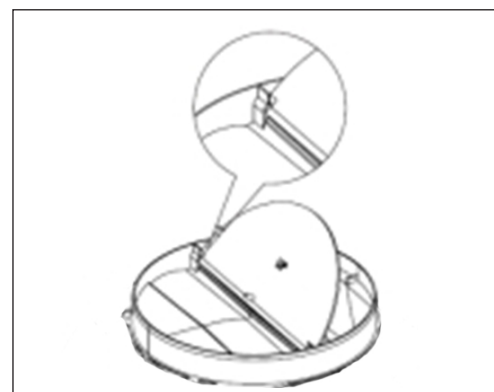
- Deslice el conducto decorativo superior hacia arriba, hasta que quede alineando con el soporte de montaje superior. El soporte debe quedar dentro del conducto decorativo. Fije el conducto superior al soporte usando dos (2) tornillos de montaje n.º 8 x 1/4 pulg.

- Quite la película de plástico protectora que cubre la campana y el conducto decorativo superior.

NOTA: Los techos de 9 pies y 10 pies requieren la extensión de conducto decorativo FXN58SS (se compra por separado). Deseche el conducto decorativo superior suministrado con la campana y sustituirlo por la extensión de conducto FXN58SS.

### INSTALACIÓN DE LA CAMPANA (DESCARGA VERTICAL SOLAMENTE)

- NO quite la película de plástico protector que cubre la campana y el conducto decorativo.
- Deje la parte posterior de la campana plana sobre una mesa. Utilice un pedazo de cartón para evitar dañar la mesa o la campana.
- Instale la compuerta en la abertura de descarga del ventilador asegurándose de que la barra esté por encima.
- Quite los filtros de grasa empujando la lengüeta de plástico e inclinando los filtros hacia abajo.
- Gire con cuidado la campana hacia arriba.



- Quite el conducto decorativo superior del interior del conducto decorativo inferior. Fije el soporte sobre el conducto decorativo inferior usando dos (2) tornillos de montaje n.º 8 x 1/4 pulg. Asegúrese de que el soporte esté colocado al interior de los bordes del conducto inferior y que las ranuras estén hacia arriba. Deslice con cuidado el conducto decorativo superior al interior del conducto decorativo inferior. Quite solamente la película de plástico protectora que cubre el conducto decorativo inferior.

**PRECAUCIÓN:** Para evitar dañar la campana, usar solamente los tornillos n.º 8 x 1/4 pulg. suministrados para ensamblar el conducto decorativo inferior y el conducto decorativo superior.

- Coloque con cuidado los conductos decorativos en el área en la parte superior de la campana.

- Mida e instale un conducto redondo metálico de 6 pulg. sobre el conector de conducto de la campana. Use cinta adhesiva metálica para sellar las juntas entre las secciones de los conductos.

- Levante la campana, mantenerla cerca de su lugar y conecte el cable de alimentación en el tomacorriente.

- Alinee la campana y céntrela arriba del soporte de montaje de la campana. Asegúrese de que la campana se alinee y se fije al conducto en el techo. Lentamente baje la campana hasta que se fije con seguridad en el soporte.

- Use cinta adhesiva metálica para sellar las juntas entre las secciones de los conductos.

- Con la campana colgada en su lugar, perforo los dos orificios situados en la parte interior trasera de la campana usando una broca de 5/16 pulg. Inserte los tacos de anclaje para panel de yeso en los orificios perforados (uno para cada orificio). Instale (2) arandelas y (2) tornillos de montaje n.º 8 x 1-1/2 pulg. a través de la parte trasera de la campana y en los tacos de anclaje para panel de yeso para sujetar la campana. Verifique que la campana esté centrada y nivelada. Apriete totalmente todos los tornillos.

- Reinstale los filtros de grasa alineando las lengüetas posteriores de los filtros en las ranuras de la campana. Empujando la lengüeta de plástico, presione el filtro en su posición y libere. Verifique que los filtros se encontraban en su lugar.

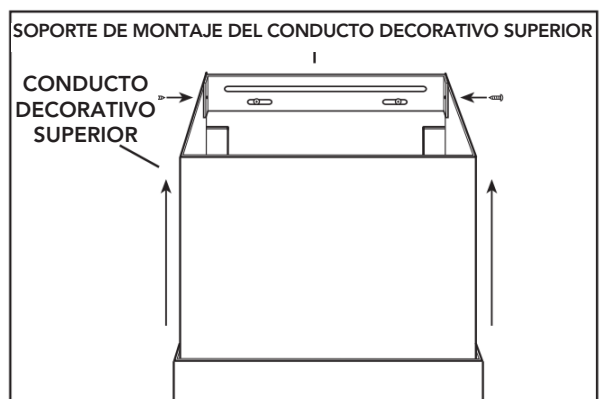
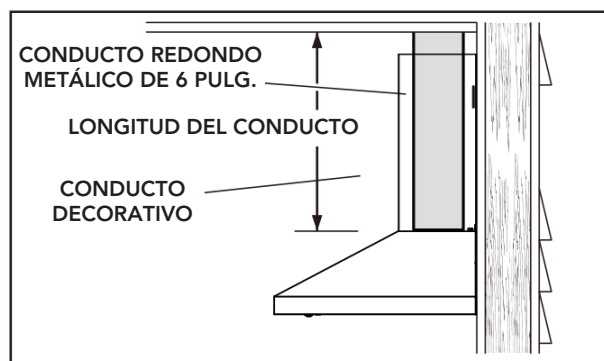
- Empuje ligeramente a un lado del conducto decorativo superior para evitar que se dañe al instalar el conducto decorativo inferior por encima de la campana usando dos (2) tornillos n.º 8 x 1/4 pulg. a través de las ranuras de los lados del conducto decorativo inferior.

- Deslice el conducto decorativo superior hacia arriba, hasta que quede alineando con el soporte de montaje superior. El soporte debe quedar dentro del conducto decorativo. Fije el conducto superior al soporte usando dos (2) tornillos de montaje n.º 8 x 1/4 pulg.

- Quite la película de plástico protectora que cubre la campana y el conducto decorativo superior.

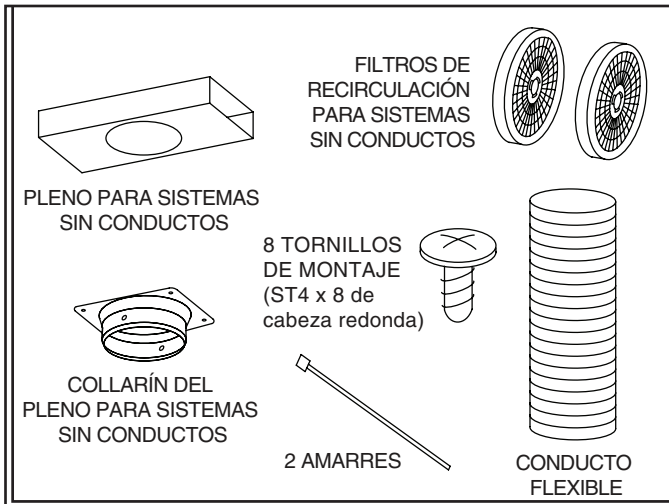


**NOTA:** Los techos de 9 pies y 10 pies requieren la extensión de conducto decorativo FXN58SS (se compra por separado). Deseche el conducto decorativo superior suministrado con la campana y sustituirlo por la extensión de conducto FXN58SS.



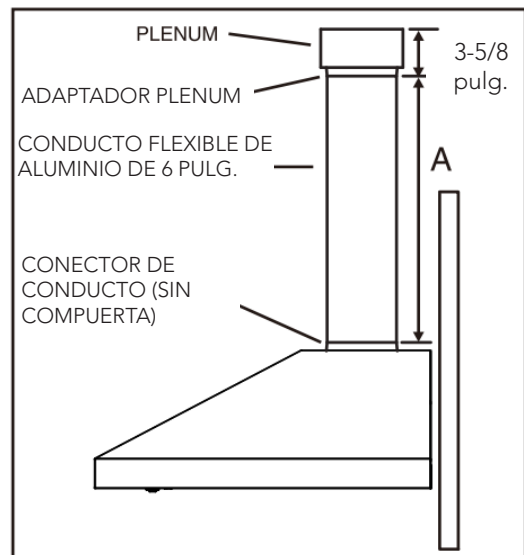
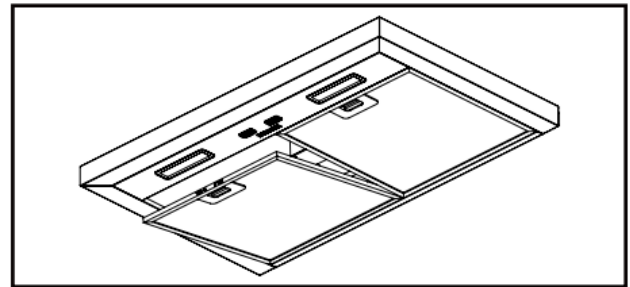
## INSTALACIÓN DE LA CAMPANA (INSTALACIÓN SIN CONDUCTOS)

### CONTENIDO DEL KIT DE RECIRCULACIÓN WPRRCK



NOTA: Las instalaciones sin conductos requieren el kit de recirculación, modelo WPRRCK (se compra por separado).

1. PRECAUCIÓN: Use únicamente el conducto flexible suministrado.
2. NO quite la película de plástico protector que cubre la campana y el conducto decorativo.
3. Deje la parte posterior de la campana plana sobre una mesa. Utilice un pedazo de cartón para evitar dañar la mesa o la campana.
4. Quite los filtros de grasa empujando la lengüeta de plástico e inclinando los filtros hacia abajo.
5. Fije el adaptador de plenum al plenum usando cuatro (4) tornillos n.º 8 x 1/4 pulg. de cabeza troncocónica.
6. Mida la distancia A. Será la longitud del conducto flexible extendido.
7. Fije un extremo del conducto flexible de aluminio al conector del conducto con un amarre.
8. Fije el otro extremo del conducto flexible al adaptador de plenum con el amarre. Use cinta adhesiva metálica para sellar las juntas entre las secciones de los conductos.



NOTA: Los techos de 9 pies y 10 pies requieren la extensión de conducto decorativo FXN58SS (se compra por separado). Deseche el conducto decorativo superior suministrado con la campana y sustituirlo por la extensión de conducto FXN58SS.

9. Quite el conducto decorativo superior del interior del conducto decorativo inferior. Fije el soporte sobre el conducto decorativo inferior usando dos (2) tornillos n.º 8 x 1/4 pulg. Asegúrese de que el soporte esté colocado al interior de los bordes del conducto inferior y que las ranuras estén hacia arriba. Deslice con cuidado el conducto decorativo superior al interior del conducto decorativo inferior. Quite la película de plástico protectora que cubre el conducto decorativo inferior.



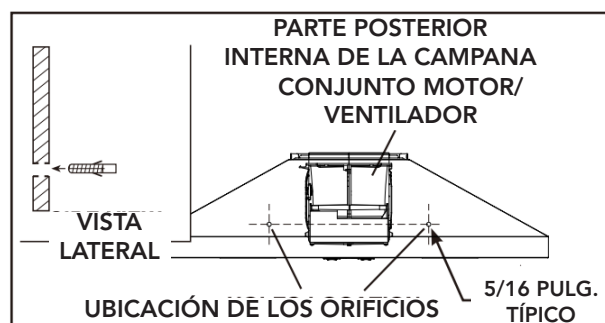
10. Coloque con cuidado los conductos decorativos en el área en la parte superior de la campana. Empuje ligeramente a un lado del conducto decorativo superior para evitar que se dañe al instalar el conducto decorativo inferior por encima de la campana usando dos (2) tornillos n.º 8 x 1/4 pulg. a través de las ranuras de los lados del conducto decorativo inferior.

**PRECAUCIÓN:** Para evitar dañar la campana, usar solamente los tornillos n.º 8 x 1/4 pulg. suministrados para ensamblar el conducto decorativo inferior y el conducto decorativo superior.

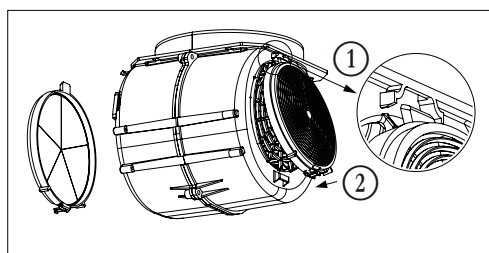
11. Fije el plenum con el adaptador al conducto decorativo superior usando cuatro (4) tornillos n.º 8 x 1/4 pulg. de cabeza troncocónica.

12. Levante la campana, mantenerla cerca de su lugar y conecte el cable de alimentación en el tomacorriente.

13. Alinee la campana y céntrala arriba del soporte de montaje de la campana. Lentamente baje la campana hasta que se fije con seguridad en el soporte.



14. Con la campana colgada en su lugar, perforo los dos orificios situados en la parte interior trasera de la campana usando una broca de 5/16 pulg. Inserte los tacos de anclaje para panel de yeso en los orificios perforados (uno para cada orificio). Instale (2) arandelas y (2) tornillos de montaje n.º 8 x 1-1/2 pulg. a través de la parte trasera de la campana y en los tacos de anclaje para panel de yeso para sujetar la campana. Verifique que la campana esté centrada y nivelada. Apriete totalmente todos los tornillos.

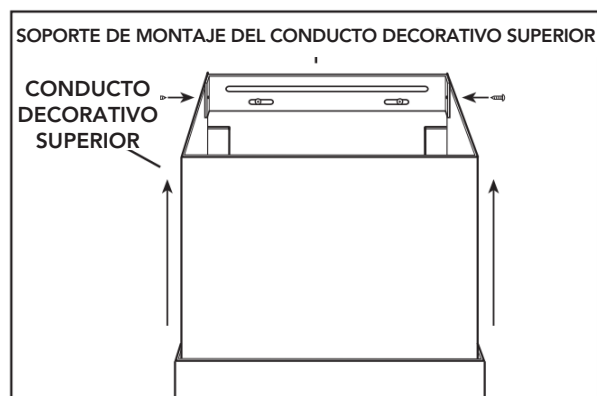


15. Fije dos (2) filtros de recirculación a los lados del ventilador, insertando la pata en la ranura superior del ventilador (1), y bloquear el clip en la pata apoyando en la parte inferior del filtro (2). Asegúrese que el filtro está bien sujetado al ventilador.

16. Para reemplazar los filtros de recirculación - compre WPRCF.

17. Reinstale los filtros de grasa alineando las lengüetas posteriores de los filtros en las ranuras de la campana. Empujando la lengüeta de plástico, presione el filtro en su posición y libere. Verifique que los filtros se encontraban en su lugar.

18. Deslice el conducto decorativo superior hacia arriba, hasta que quede alineando con el soporte de montaje superior. El soporte debe quedar dentro del conducto decorativo. Fije el conducto superior al soporte usando dos (2) tornillos de montaje n.º 8 x 1/4 pulg.



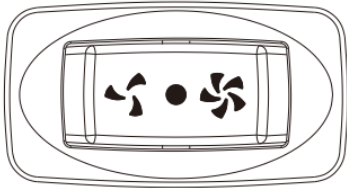
19. Quite la película de plástico protectora que cubre la campana y el conducto decorativo superior.




## FUNCIONAMIENTO

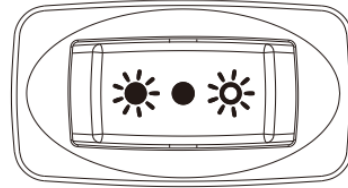
Ponga la campana en marcha siempre antes de empezar a cocinar para crear una corriente de aire en la cocina. Deje funcionar el ventilador 10 minutos para limpiar el aire cuando ya haya apagado la cocina. De este modo, la cocina estará más limpia y despejada.




La campana funciona así:

### INTERRUPTORES BASCULANTES



1. Presione  para encender el ventilador a baja velocidad.
2. Presione  para apagar el ventilador.
3. Presione  para encender el ventilador a alta velocidad.



1. Presione  para encender el color de luz cálido.
2. Presione  para apagar la luz.
3. Presione  para encender el color de luz frío.

NOTA: Esta campana incluye 2 modos de temperatura de color de luz (CCT) (cálido - 3000 K y frío 6000 K)

## MANTENIMIENTO Y LIMPIEZA

El mantenimiento adecuado de la campana permitirá que funcione correctamente.

### MOTOR

El motor está lubricado permanentemente y no necesita engrase nunca. Si los rodamientos del motor hacen un ruido excesivo o no habitual, sustituya el motor por otro idéntico.

### FILTROS DE GRASA

Los filtros de grasa deberían limpiarse con frecuencia. Use una disolución de agua tibia y detergente para vajilla. Los filtros de grasa se pueden lavar en el lavaplatos. Lave los filtros metálicos en el lavaplatos con un detergente sin fosfato. Los filtros se pueden descolorar si se lavan con detergentes con fosfato o debido a las características del agua local, pero esto no afecta su desempeño. Esta descoloración no está cubierta por la garantía.

### FILTROS DE RECIRCULACIÓN

Los filtros de recirculación deberían cambiarse cada 6 meses. Sustituirlos con mayor frecuencia si su tipo de cocina genera más grasa, por ejemplo si fríe o cocina con wok. Presionar el clip en la parte inferior del filtro de recirculación para desbloquear el filtro de la pata; quitar el filtro y sustituirlo.

### LIMPIEZA DEL ACERO INOXIDABLE

#### A HACER:

- Lávelo regularmente con un trapo limpio empapado con una disolución de agua tibia y jabón suave o detergente para lavar vajillas.
- Limpie siempre en la dirección de las líneas de pulido.
- Enjuague siempre bien con agua limpia (2 o 3 veces) después de limpiar. Séquelo completamente.
- También puede usar un producto limpiador doméstico para acero inoxidable.

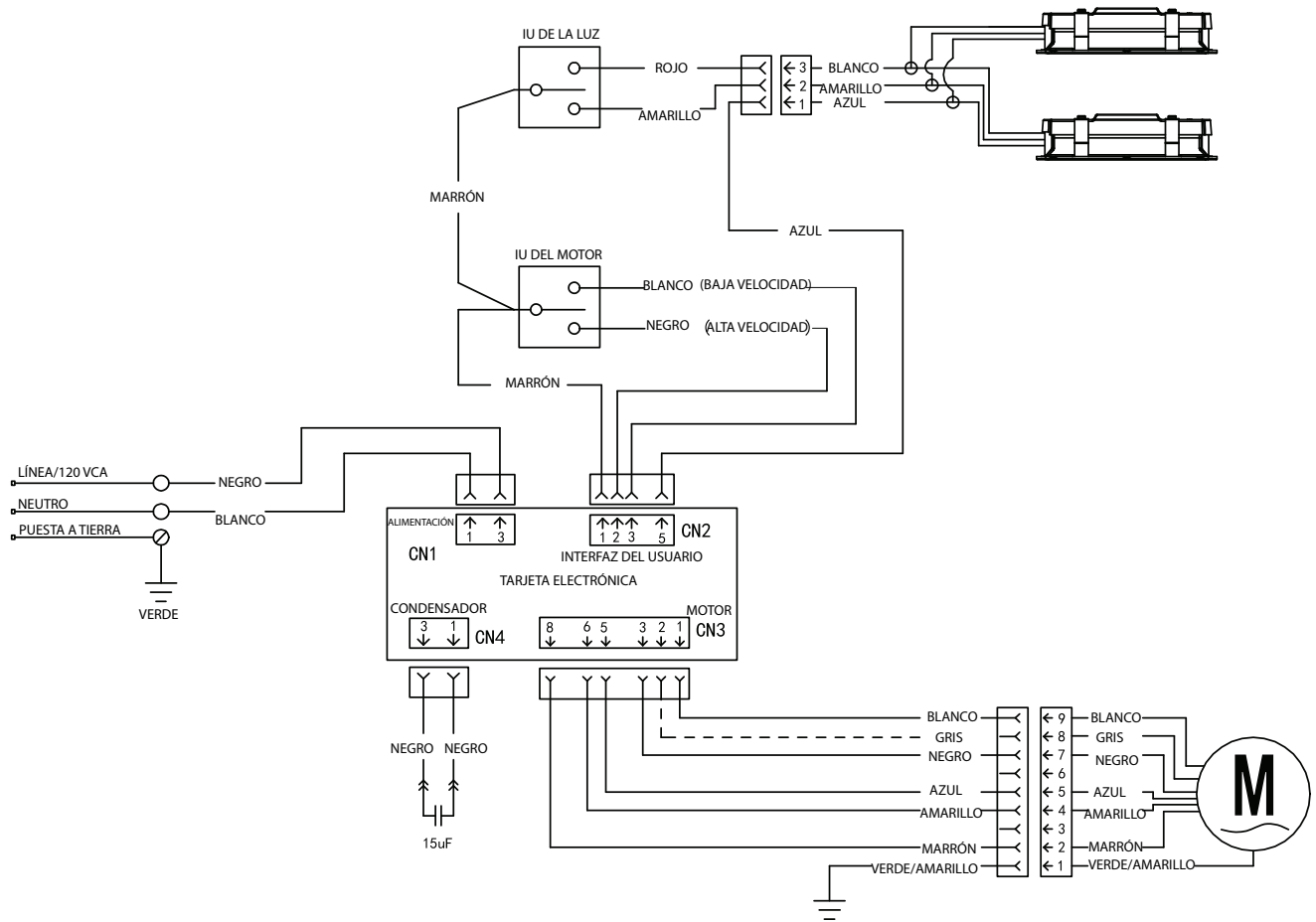
#### A NO HACER:

- Usar lana de acero o de acero inoxidable o un rascador para quitar la suciedad más incrustada.
- Usar productos limpiadores agresivos o abrasivos.
- Dejar que se acumule la suciedad.
- Permitir que el polvo de yeso u otros residuos de construcción entren en contacto con la campana. Durante los trabajos de construcción o renovación, cubra la campana para evitar que el polvo entre en contacto con la campana.

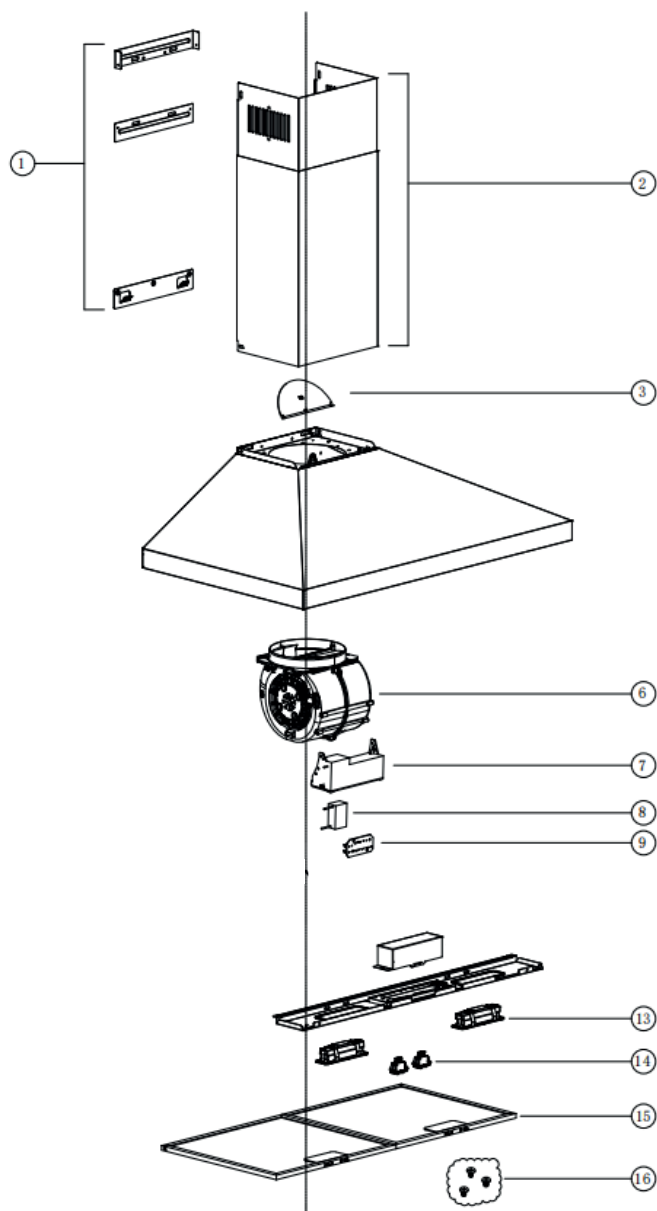
#### AL ELEGIR UN DETERGENTE, EVITE:

- Los productos limpiadores que contengan blanqueador (lejía) ya que dañarán el acero inoxidable.
- Los productos que contengan: cloruro, fluoruro, yoduro, bromuro; ya que deteriorarán las superficies rápidamente.
- Los productos combustibles que se usan para limpiar, tales como: acetona, alcohol, éter, bencol, etc.; ya que son muy explosivos y no deberían usarse nunca cerca de una cocina.

# DIAGRAMA DE CABLEADO



## PIEZAS DE REPUESTO



Elemento	N.º pieza	Descripción	Cant.
1	S99528929	Soportes de montaje (kit de 3)	1
2	S99526972	Conductos decorativos superior y inferior	1
3	S99010499	Compuerta	1
6	S1119587	Conjunto motor y ventilador	1
7	S1119588	Caja de plástico de la tarjeta electrónica	1
8	S1119589	Capacitor	1
9	S1119590	Tarjeta electrónica	2
13	S1119591	Módulo LED	1
14	S1119592	Interruptor basculante (kit de 2)	1
15	S1119571	Filtros de grasa (2 por campana)	1
	S1119572	Filtros de grasa (3 por campana)	1
16	S99010500	Bolsa de piezas	1
*	WPRCF	Filtros de recirculación	1
*	S99526992	Conjunto plenum	1
*	WPRRCK	Kit recirculación	1
*	FXN58SS	Extensión conducto decorativo	1

Se pueden comprar en línea  
Broan-NuTone Genuine Parts a  
<https://shop.broan-nutone.com>parts>

\* No se muestra