

Instructions for use

KitchenAid


These instructions are also available on the website: www.kitchenaid.eu

Important instructions for safety	4
Installation	6
Safeguarding the environment	6
Troubleshooting guide	7
After-sales Service	7
Cleaning	7
Maintenance	8
Material supplied	9
Installation - preliminary assembly instructions	9
Installation dimensions	10
Installation - assembly instructions	10
Maintenance	12
Description and use of hood	12

Important instructions for safety

YOUR SAFETY AND THAT OF OTHERS IS HIGHLY IMPORTANT.

This manual and the appliance itself provide important safety warnings, to be read and observed at all times.

 This is the attention symbol, pertaining to safety, which alerts users to potential risks to themselves and others.

All safety warnings are preceded by the attention symbol and the following terms:

DANGER:

indicates a hazardous situation which, if not avoided, will cause serious injury.


WARNING:

indicates a hazardous situation which, if not avoided, could cause serious injury.

All safety warnings specify the potential danger/warning to which they refer and indicate how to reduce the risk of injury, damage and electrical shock resulting from incorrect use of the appliance. Comply with the following instructions:

- Installation or maintenance must be carried out by a specialized technician, in compliance with the manufacturer's instructions and local safety regulations.

Do not repair or replace any part of the appliance unless specifically requested in the user manual.

- The appliance must be disconnected from the power supply before carrying out any installation work.
- Earthing of the appliance is compulsory. (Not necessary for class II hoods identified by the  symbol on the specifications label).
- The power supply cable must be long enough to permit connecting the appliance to the mains socket outlet.
- Do not pull the power supply cable in order to unplug the appliance.
- The electrical components must no longer be accessible to the user after installation.
- Do not touch the appliance with any wet part of the body and do not operate it when barefoot.
- This appliance may be used by children older than 8 years of age and by persons with reduced physical, sensory or mental capacities or with inadequate experience and knowledge only if they are supervised or if they have been taught how to use the appliance in conditions of safety and if they are aware of the dangers involved. Children must not play with the appliance. Cleaning and maintenance must not be carried out by children,

unless they are supervised by adults.

- Do not repair or replace any part of the appliance unless specifically indicated in the manual. Defective parts must be replaced using genuine parts. All other maintenance services must be carried out by a specialized technician.
- Children must be supervised to ensure they do not play with the appliance.
- When drilling through a wall or the ceiling, pay attention not to damage electric connections and/or pipes.
- The ventilation ducts must always discharge to the outside.
- Exhaust air must not be vented through a flue used for removal of fumes produced by appliances burning gas or other fuels, but must have a separate outlet. All national regulations governing extraction of fumes must be observed.
- If the hood is used together with other appliances operating on gas or other fuels, the negative pressure in the room must not exceed 4 Pa (4 x 10⁻⁵ bar).
For this reason, make sure the room is adequately ventilated.
- The Manufacturer declines any liability for improper use or incorrect setting of the controls.
- Regular cleaning and maintenance is essential to correct functioning and good performance of the appliance. Frequently clean all encrustations from dirty surfaces to prevent the accumulation of grease. Regularly clean or replace the filters.
- Failure to observe the instructions for cleaning the hood and replacing the filters may result in a fire.
- The fume extractor hood must never be opened without the grease filters installed and it should be kept under constant supervision.
- Gas appliances must be used under the extractor hood only with pans resting.
- When using more than three gas cooking points, the hood should be operating at power level 2 or greater. This will eliminate heat congestion in the appliance.
- Before touching the bulbs, first ensure that they are cold.
- Do not use or leave the hood without its lamps correctly installed - risk of electric shock.
- Wear work gloves for all installation and maintenance operations.
- The product is not suitable for outdoor use.
- When the hob is in use, accessible parts of the hood may become hot.
- Never flame cook food (flambé) under the appliance. Using free flames might cause fire.
- Do not leave frying pans unattended when frying, as the frying oil may catch fire.

Scrapping of household appliances

- This appliance is manufactured with recyclable or reusable materials. Dispose of it in accordance with local waste disposal regulations. Before disposing of it, make it unusable by cutting off its power supply cable.

Declaration of conformity **CE**

- This appliance has been designed, manufactured and marketed in compliance with:
 - safety objectives of the “Low Voltage” Directive 2006/95/EC (which replaces 73/23/EEC and subsequent amendments);
 - the ecodesign requirements of european regulations n. 65/2014, and n. 66/2014 in conformity to the european standard EN 61591
 - the protection requirements of Directive “EMC” 2004/108/EC.Electrical safety of the appliance can only be guaranteed if it is correctly connected to an approved earthing system.

- For further information on the treatment, recovery and recycling of household appliances, contact your competent local authority, the collection service for household waste or the shop where you purchased the appliance.

KEEP THESE INSTRUCTIONS

Energy saving tips

- Switch ON the hood at minimum speed when you start cooking and kept it running for few minutes after cooking is finished.
- Increase the speed only in case of large amount of smoke and vapour and use boost speed(s) only in extreme situations.
- Replace the charcoal filter(s) when necessary to maintain a good odour reduction efficiency.
- Clean the grease filter(s) when necessary to maintain a good grease filter efficiency.
- Use the maximum diameter of the ducting system indicated in this manual to optimize efficiency and minimize noise.

Installation

After unpacking the appliance, check for any damage caused during transport. In case of problems, contact the dealer or the After-Sales Service. To avoid any damage, it is advisable to only remove the appliance from the polystyrene base just before installation.

PREPARATION FOR INSTALLATION

WARNING:

this appliance is heavy; the hood should only be lifted and installed by two or more people.

The minimum distance between the cooking pan support on top of the cooker and the bottom of the hood must not be less than 50 cm for electric cookers and 65 cm for gas or mixed cookers. Before installation also check the minimum distances stated in the manual of the cooker. If the installation instructions for the cooker specify a greater distance between cooker and hood, this distance must be observed.

ELECTRICAL CONNECTIONS

Make sure the power voltage specified on the appliance rating plate is the same as the mains voltage.

This information may be found on the inside of the hood, under the grease filter.

Power cable replacement (type H05 VV-F 3 x 0.75 mm²) must be carried out by a qualified electrician. Contact an authorized service centre.

If the hood is fitted with an electric plug, connect the plug to a socket complying with current regulations, located in an accessible place. If no plug is fitted (direct wiring to the mains), or if the socket is not located in an accessible place, install a standardized double pole power switch that will enable complete isolation from the mains in case of category III overvoltage conditions, in accordance with wiring rules.

GENERAL RECOMMENDATIONS

Before use


Remove cardboard protection pieces, transparent film and adhesive labels from accessories. Make sure the appliance has not been damaged during transport.

During use

Do not place weights on the appliance, as they could damage it.
Do not expose the appliance to atmospheric agents.

Safeguarding the environment


Disposal of packing

The packing material is 100% recyclable and is marked with the recycle symbol . The various parts of the packing must be disposed of responsibly and in full compliance with local authority regulations governing waste disposal.

Disposal of the appliance

- This appliance is marked in compliance with European Directive 2012/19/EU on Waste Electrical and Electronic Equipment (WEEE).

- By ensuring that this appliance is disposed of correctly, you can help prevent potentially damaging consequences for the environment and health.

- The  symbol on the product or on the accompanying documentation indicates that it should not be treated as domestic waste but must be taken to an appropriate collection centre for the recycling of electrical and electronic equipment.

Troubleshooting guide

The appliance does not work:

- Check the domestic power supply and ensure the appliance is connected to the mains properly.
- Switch the hood off and then on again to see if the problem has been resolved.

The hood is not extracting satisfactorily:

- Check the extraction speed is set to the desired level;

- Check the filters are clean;
- Check the air vents are not blocked;

The light does not work:

- Check to see if the lamp needs replacing;
- Check to see if the lamp has been fitted properly;

After-sales Service

Before calling the After-sales Service:

1. See if you can solve the problem yourself with the help of the “Troubleshooting guide”.
2. Switch the hood off and then on again to see if the problem has been resolved.

If, after the above checks, the problem persists, contact your nearest After-sales Service.

Always provide:

- a brief description of the problem;
- the type and specific model of the appliance;
- the Service number (this is the number which follows the word SERVICE on the dataplate), inside the appliance. The Service number is also printed on the warranty booklet;

- your full address;
- your telephone number;

SERVICE 0000 000 00000



If any repairs are needed, contact an authorized **Service Centre** (to ensure that only original spare parts are used and that repairs are made correctly).

Cleaning

WARNING:

- Do not use steam cleaners.
- Disconnect the appliance from the power supply.

IMPORTANT: Do not use corrosive or abrasive detergents. If any of these products accidentally comes into contact with the appliance, clean it immediately with a damp cloth.

- Clean the surfaces with a damp cloth. If very dirty, add a few drops of washing up detergent to the water. Dry with a dry cloth.

IMPORTANT: Do not use abrasive sponges or metallic scrapers or scouring pads. Their use could eventually ruin the enamelled surfaces.

- Use specific detergents to clean the appliance and follow the manufacturer’s instructions

IMPORTANT: Clean the filters at least once a month to remove built-up oil and grease.

Maintenance

WARNING:

- use safety gloves.
- disconnect the appliance from the mains power supply.

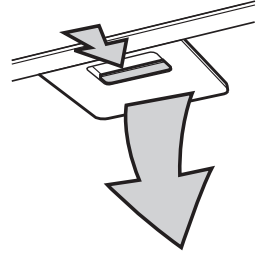


GREASE FILTERS

The metal grease filter has an unlimited life and should be cleaned once a month by hand or in a dishwasher at low temperature and with a short cycle. Cleaning in a dishwasher may cause discoloring of the grease filter, but its filtering efficiency is unaffected.

Pull out the handle to remove the filter.

Wash the filter and leave it to dry, proceeding in reverse order to refit.



REPLACING LAMPS

The hood lighting system is based on LED technology.

The LEDs provide optimal illumination, with a lifetime up to ten times longer than traditional lamps but with 90% less energy consumption.

Contact the technical support service for replacements.

CARBON FILTER

(filter hoods only):

It captures and neutralizes unwanted cooking odors.

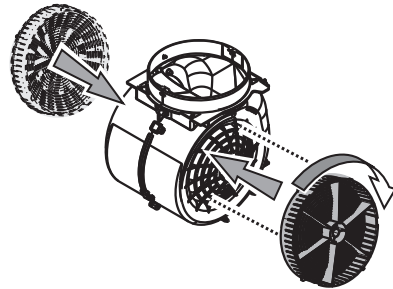
Change the carbon filter every 4 months.

Fitting or changing the carbon filter

1. Disconnect the hood from the power supply.
2. Open the extraction panel and remove it.
3. Remove the grease filters.
4. Fit one carbon filter each side, covering both protection grilles of the motor impeller. Turn the filters clockwise to secure them to the middle pins.

Proceed in reverse order to remove.

Re-fit the grease filters and extraction panel.



Material supplied

Remove all the components from the packets. Check that all the components are included.

- Hood assembled with motor, lamps and grease filters installed.
- Instructions for assembly and use
- Telescopic flues
- 1 Assembly template
- 6 wall plugs Ø 8mm
- 6 screws Ø 5x45
- 1 screw Ø 3.5x9.5
- Flue support bracket
- 1 deflector (for filter version)
- 4 screws Ø 4x8
- 4 screws Ø 3.5x6.5
- 2 screws Ø 2.9x6.5
- 2 washers
- 1 hood support bracket
- 1 cable clamp

Installation - preliminary assembly instructions

The hood is designed for installation and use in “Extractor version” or in “Filter version”.

Note: the model with electric valve can only be used in “Extractor version” and the exhaust pipe must be connected to a peripheral extraction unit.

Extractor Version

Fumes are extracted and expelled to the outside through an exhaust pipe (not supplied) fixed to the hood exhaust pipe connector.

Depending on the exhaust pipe purchased, provide for suitable fixing to the exhaust pipe connector.

IMPORTANT: If already installed, remove the carbon filter/s.

Filter Version

Air is filtered through the carbon filter/s and recycled into the surrounding environment.

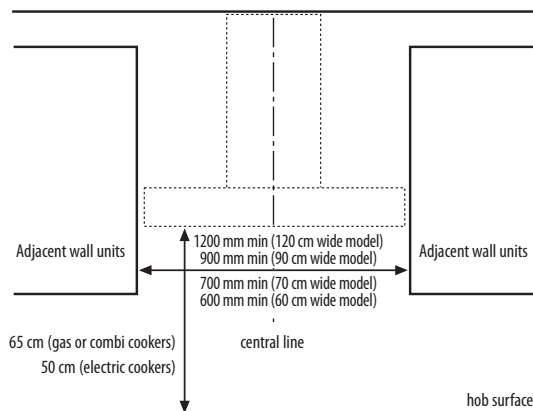
IMPORTANT: Check that air recirculation is ensured.

If the hood does not have the carbon filter/s, order one/them and fit before use.

Install the hood away from very dirty areas, windows, doors and heat sources.

The hood comes with all the materials necessary for installation on the majority of walls/ceilings. However, a qualified technician must ensure that the materials are suitable according to the type of wall/ceiling.

Installation dimensions



Installation - assembly instructions

The instructions below, to be carried out in the order in which they are numbered, refer to the figures (with the same step numbers) given on the last pages of this manual.

Before starting the installation steps:

- remove the perimeter extraction panel "A";
- push the lever (located at the bottom of the panel) to the left
- release the panel from the supports
- remove the grease filters

then

- remove the tape fixing the control electronics box "S" to the motor body;
- fully tighten the screws, already partially tightened, that fix the electronics box "S" to the motor body.

Note: the box "S" may be temporarily fixed to the top or sides of the motor body, the image is only for reference.

1. Using a pencil, draw the center line on the wall up to the ceiling to facilitate installation operations.
2. Place the drilling template against the wall: the vertical center line printed on the template must match the center line drawn on the wall, and the bottom edge of the drilling template must match the bottom edge of the hood.
3. Place the lower support bracket on the hole diagram so that it matches the dotted rectangle, mark the two external holes and drill.
Note: Always perform all the holes indicated on the template: the top 2 holes are for hanging the hood and the bottom holes (generally 1 central or more side holes) are for fixing it securely to the wall. Remove the drilling template, insert the wall plugs and fix the hood support bracket with two 5 x 45 mm screws.
4. Fit the flue support bracket "G" to the wall and against the ceiling, use the support bracket as a hole diagram (if present, the small slot on the support must match the line drawn on the wall), mark 2 holes with the pencil then drill the holes (Ø 8 mm) and finally insert 2 plugs.
5. Fix the flue support bracket to the wall with two 5x45 mm screws.
6. Hook the hood to the lower bracket.
7. Adjust the distance between the hood and the wall.
8. Adjust the hood horizontally.

9. Fix the hood securely to the wall (**ABSOLUTELY NECESSARY!!**).
10. Connect a pipe (pipe and clamps are not provided, they must be purchased separately) for fumes exhaust to the connection ring located above the suction motor unit.
The other end of the pipe must be connected to a device for expelling the fumes outdoor in case of use of the hood in extraction version.
If the hood is used in the filter version, then remove the fumes non-return valve “E”, fasten the deflector “F” to the flue support bracket “G” adjusting it according to the flue width and connect the other end of the pipe to the connection ring located on the deflector “F”.
11. Carry out the electrical connection. Position the power cable in its housing and secure the cable to the cable clamp (**11a**).
12. Apply the flues and fix them with two 2 screws (**12a**) to the flue support bracket“G” (**12b**).
13. Slide the bottom section of the flue all the way over the extraction unit until it engages the seat above the hood.

Refit the grease filter(s).

Re-fit the perimeter extraction panel

IMPORTANT: Always make sure the panel is firmly fixed in place.

Check the hood operation, referring to the hood description and use section.

Maintenance

⚠ WARNING:

- **Disconnect the appliance from the power supply**

Cleaning the perimeter extraction panel

Removal:

pull the handle (FRONT) firmly downwards.

Cleaning:

The extraction panel must be cleaned as often as the grease filter, using a rag moistened with neutral liquid detergent.

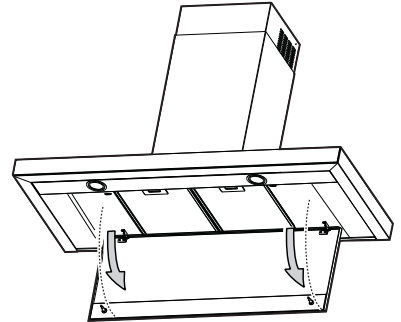
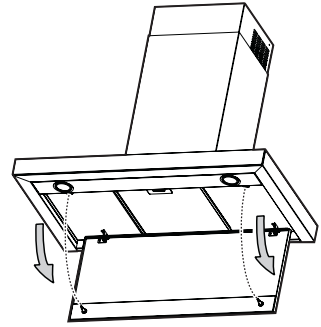
Do not use products containing abrasives.

IMPORTANT: Do not use alcohol.

Fitting:

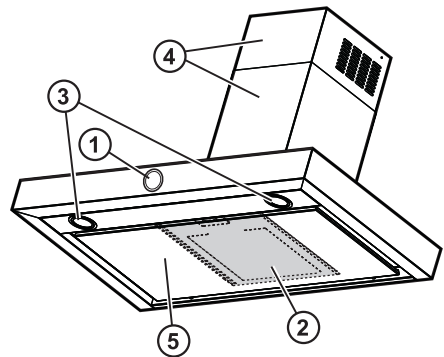
The panel must be fixed at the front, in the special pins on the hood surface.

IMPORTANT: Always make sure the panel is firmly fixed in place.



Description and use of hood

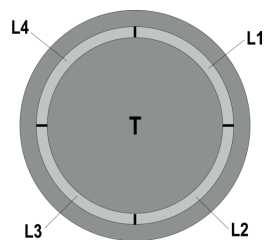
1. Control panel.
2. Grease filters (over the perimeter extraction panel).
3. Lamps.
4. Telescopic flue.
5. Perimeter extraction panel.



Operation

Use the fastest speed setting for particularly concentrated steam and fumes. It is advisable to switch the hood on 5 minutes before starting to cook and leave it running for another 15 minutes at the end of cooking.

The control panel is composed of a backlit rotary disk



- **To switch the lights on and off:**

Press the disk (T) to turn the lights on and off

- **To select the extraction speed available:**

Turn the disk (T) clockwise to turn on and increase the extraction speed and counterclockwise to decrease it, and turn off the hood.

The crown (L) lights on to indicate the extraction speed selected:

- **L1 on**

speed 1 (minimum).

- **L1+L2 on**

speed 2 (medium).

- **L1+L2+L3 on**

speed 3 (maximum).

- **L1+L2+ L3+L4 on in flashing mode**

speed 4 (intensive): 5 minutes on, after which the hood automatically sets to speed 2

- **L off:**

Extraction motor off

Filters saturation control device

The hood is equipped with a device that signals when the filters require maintenance. The grease filter saturation control device is always on. The activated carbon filter control device is usually off.

To turn it on, proceed as follows:

- Turn off the hood.

- Press the disk (T), for more than 5 seconds

The crown (L) lights up completely, flashing, and an acoustic signal is emitted: the activated carbon filter control device is on.

Note = to turn it off, turn off the hood and press the disk

(T), L1+L2 are backlit and flashing; wait for the acoustic signal that confirms that they are off.

Grease filter saturation indicator

L1 + L2 will flash when maintenance is required on the grease filter

Activated carbon filter saturation indicator

L3 + L4 will flash when maintenance is required on the activated carbon filter

Filter saturation signaling reset

After the filters maintenance turn on the hood and press the disk (T) for more than 5 seconds: a long acoustic signal (beep) is emitted to indicate that the reset was completed successfully.

Note: in case of simultaneous signaling (grease filter and activated carbon filter saturation), it is necessary to repeat the reset operation twice.



FOR THE WAY IT'S MADE.

Printed in Italy

06/15

400010803594

