



DRAPER®

10L FPM

PRESSURE SPRAYER

82457



These instructions accompanying the product are the original instructions. This document is part of the product, keep it for the life of the product passing it on to any subsequent holder of the product. Read all these instructions before assembling, operating or maintaining this product.

This manual has been compiled by Draper Tools describing the purpose for which the product has been designed, and contains all the necessary information to ensure its correct and safe use. By following all the general safety instructions contained in this manual, it will ensure both product and operator safety, together with longer life of the product itself.

All photographs and drawings in this manual are supplied by Draper Tools to help illustrate the operation of the product.

Whilst every effort has been made to ensure the accuracy of information contained in this manual, the Draper Tools policy of continuous improvement determines the right to make modifications without prior warning.

1. TITLE PAGE

1.1 INTRODUCTION:

USER MANUAL FOR: 10L FPM Pressure Sprayer

Stock No: 82457

Part No: EWS-10-FPM/B

1.2 REVISIONS:

Date first published June 2017.

As our user manuals are continually updated, users should make sure that they use the very latest version.

Downloads are available from: <http://drapertools.com/manuals>

Draper Tools Limited
Hursley Road
Chandler's Ford
Eastleigh
Hampshire
SO53 1YF
UK

Website: drapertools.com

Product Helpline: +44 (0) 23 8049 4344

General Fax: +44 (0) 23 8026 0784

1.3 UNDERSTANDING THIS MANUALS SAFETY CONTENT:

WARNING! – Information that draws attention to the risk of injury or death.

CAUTION! – Information that draws attention to the risk of damage to the product or surroundings.

1.4 COPYRIGHT © NOTICE:

Copyright © Draper Tools Limited.

Permission is granted to reproduce this publication for personal and educational use only. Commercial copying, redistribution, hiring or lending is prohibited.

No part of this publication may be stored in a retrieval system or transmitted in any other form or means without written permission from Draper Tools Limited.

In all cases this copyright notice must remain intact.

2. CONTENTS

2.1 CONTENTS

1. TITLE PAGE

1.1 INTRODUCTION	1
1.2 REVISION HISTORY	2
1.3 UNDERSTANDING THIS MANUAL	2
1.4 COPYRIGHT NOTICE	2

2. CONTENTS

2.1 CONTENTS	3
--------------------	---

3. GUARANTEE

3.1 GUARANTEE	4
---------------------	---

4. INTRODUCTION

4.1 SCOPE	5
4.2 SPECIFICATION	5

5. HEALTH AND SAFETY INFORMATION

5.1 GENERAL SAFETY INSTRUCTIONS	6
---------------------------------------	---

6. TECHNICAL DESCRIPTION

6.1 IDENTIFICATION	7
--------------------------	---

7. UNPACKING AND CHECKING

7.1 PACKAGING	8
---------------------	---

8. ASSEMBLY

8.1 LANCE ASSEMBLY	9
8.2 NOZZLE ASSEMBLY	9
8.3 ATTACHING THE HOSE	10

9. OPERATION AND USE

9.1 FILLING THE SPRAY BOTTLE	11
9.2 PRESSURISATION	11
9.3 SAFETY PRESSURE VALVE	12
9.4 SPRAY OPERATION	12
9.5 FLOW RATE	12
9.6 VARIABLE SPRAY PATTERN	12

10. MAINTENANCE

10.1 MAINTENANCE	13
10.2 TROUBLESHOOTING	13

11. DISPOSAL

11.1 DISPOSAL	14
---------------------	----

DECLARATION OF CONFORMITY **ENCLOSED**

3. GUARANTEE

3.1 GUARANTEE

Draper tools have been carefully tested and inspected before shipment and are guaranteed to be free from defective materials and workmanship.

Should the tool develop a fault, please return the complete tool to your nearest distributor or contact:

Draper Tools Limited, Chandler's Ford, Eastleigh, Hampshire, SO53 1YF. England.

Telephone Sales Desk: (023) 8049 4333 or:

Product Helpline (023) 8049 4344.

A proof of purchase must be provided.

If upon inspection it is found that the fault occurring is due to defective materials or workmanship, repairs will be carried out free of charge. This guarantee period covering parts/labour is 12 months from the date of purchase except where tools are hired out when the guarantee period is 90 days from the date of purchase. The guarantee is extended to 24 months for parts only. This guarantee does not apply to normal wear and tear, nor does it cover any damage caused by misuse, careless or unsafe handling, alterations, accidents, or repairs attempted or made by any personnel other than the authorised Draper warranty repair agent.

Note: If the tool is found not to be within the terms of warranty, repairs and carriage charges will be quoted and made accordingly.

This guarantee applies in lieu of any other guarantee expressed or implied and variations of its terms are not authorised.

Your Draper guarantee is not effective unless you can produce upon request a dated receipt or invoice to verify your proof of purchase within the guarantee period.

Please note that this guarantee is an additional benefit and does not affect your statutory rights.

Draper Tools Limited.

4. INTRODUCTION

4.1 SCOPE

Special FPM seal material allows for use with: solvents, fuel, scale removers, waterproofing, anti-mould solutions, oils and lubricants. The only choice for brake cleaning fluid and for most commonly used chemicals in the food industry.

4.2 SPECIFICATION

Stock No's	82457
Part No's.....	EWS-10-FPM/B
Bottle capacity	15L
Working capacity	12L
Max working pressure	40psi
Weight (empty sprayer only).....	2.189kg



5. HEALTH AND SAFETY INFORMATION

5.1 GENERAL SAFETY INSTRUCTIONS

WARNING: READ and UNDERSTAND this instruction booklet completely before using these sprayers.



The user must always ask the dealer for the safety card of the chemical product to be used, also for disposal of the residual liquid. The use of substances not in conformity with the current regulations is at the user's risk and peril.



Never open the pump when under pressure.



Do not eat, drink or smoke during use.



Do not leave the sprayer exposed to heat sources or intense cold.



Do not spray on windy days.



Do not use for spraying food products (wine, milk, etc.).



Wash hands and face after use.



Variable spray nozzle.



Keep out of the reach of children.



Do not spray toxic or harmful liquids on persons, animals or foodstuffs.



Keep bystanders away whilst using the sprayer.



Use suitable protective clothing during use.



Seek medical attention if spray gets in eyes, or if other symptoms develop during spraying.



Use suitable face mask and eye protection.



Never abandon potentially hazardous chemicals in the environment, drainage or sewerage systems.

Note: After use, rinse the container then operate the pump with clean water to completely empty the container and piston.

6. TECHNICAL DESCRIPTION

6.1 IDENTIFICATION



- ① Pump handle.
- ② Safety pressure valve.
- ③ Spray bottle.
- ④ Nozzle.
- ⑤ Lance.
- ⑥ Fill inlet.
- ⑦ Trigger assembly.

- ⑧ Hose.
- ⑨ Handle.
- ⑩ Lance holder.
- ⑪ Carry strap.
- ⑫ Pressure gauge.

7. UNPACKING AND CHECKING

7.1 PACKAGING

Carefully remove the product from the packaging and examine it for any sign of damage that may have happened during shipping. Lay the contents out and check them against the parts shown below. If any part is damaged or missing; please contact the Draper Helpline (the telephone number appears on the Title page) and do not attempt to use the product.

The packaging material should be retained at least during the guarantee period: in case the machine needs to be returned for repair.

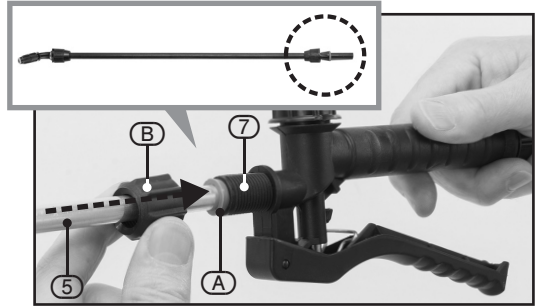
Warning! Some of the packaging materials used may be harmful to children. Do not leave any of these materials in the reach of children.

If any of the packaging is to be thrown away, make sure they are disposed of correctly; according to local regulations.

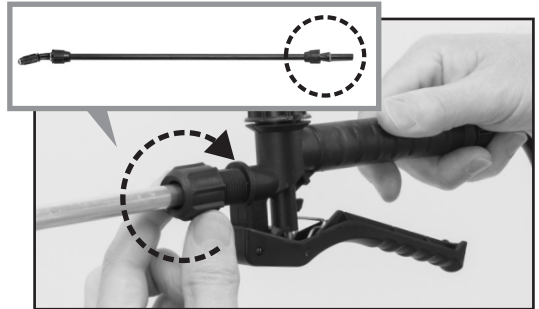
8. ASSEMBLY

8.1 LANCE ASSEMBLY – FIGS. 1 – 2

- If not already in place, make sure the rubber gasket (A) and compression fitting (B) are arranged onto the lance (5) in the correct order, as shown in FIG. 1.
- Slide the end of the lance into the trigger assembly (7).

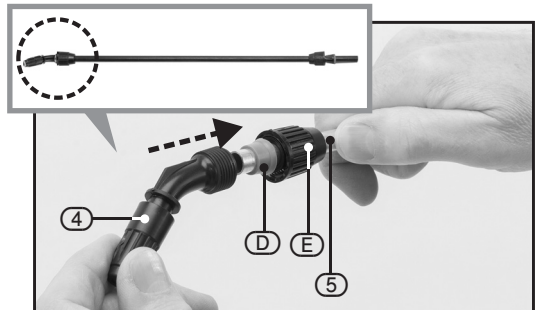


- Screw the compression fitting (B) clockwise to secure the trigger and lance.

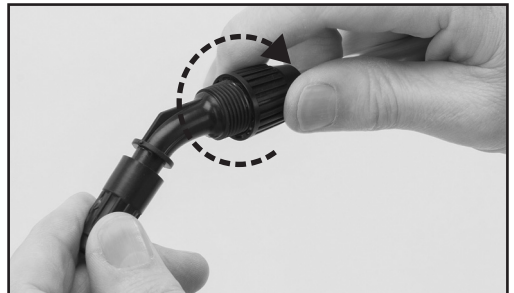


8.2 NOZZLE ASSEMBLY – FIGS. 3 – 4

- If not already in place, make sure the rubber gasket (D) and compression fitting (E) are in place on the end of the lance, as shown in FIG. 3.
- Slide the nozzle (4) onto the end of the lance (5).



- Tighten the compression fitting to secure the nozzle in place.



8. ASSEMBLY

8.3 ATTACHING THE HOSE – FIG. 5

- Insert the suction tubing (8.1) of the hose (8) into the spray bottle through the hose inlet (8.2).
- Screw the compression fitting (F) to secure the hose in place.

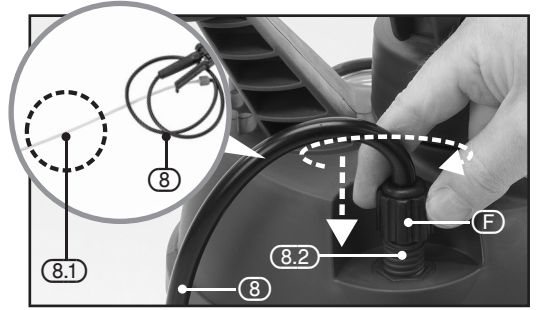


FIG. 5

9. OPERATION AND USE



9.1 FILLING THE SPRAY BOTTLE – FIGS. 6 – 8

- Unscrew the pump handle ① anti-clockwise to loosen and remove from the pump handle/assembly from the fill inlet ⑥.

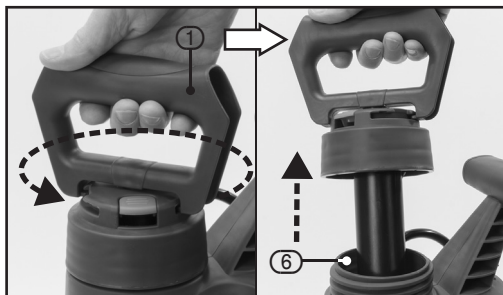


FIG. 6

- Fill the spray bottle with your chosen liquid to the desired level through the fill inlet ⑥ to the maximum fill line shown on the bottle.

Note: The additional use of a large funnel ⑦ may be advisable, especially when using potentially hazardous liquids.

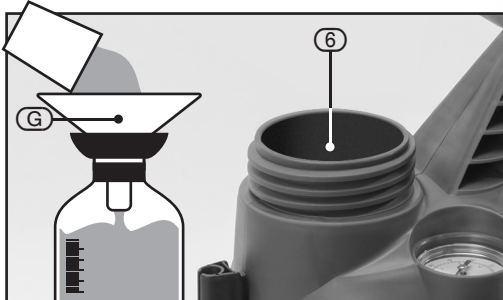


FIG. 7

- Replace the pump handle/assembly and screw clockwise to close.

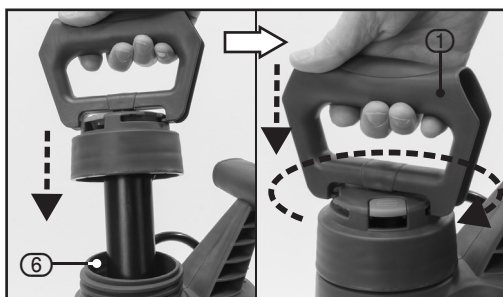


FIG. 8

9.2 PRESSURISATION – FIG. 9

Working spraying pressure is achieved by pumping the handle ① approximately 30 times.

Note: Try to avoid overfill with either air or liquid.

- The sprayer incorporates a pressure gauge ⑫ that determines accurate working pressure.

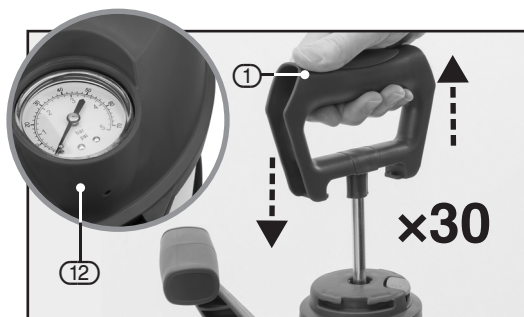


FIG. 9

9. OPERATION AND USE

9.3 SAFETY PRESSURE VALVE – FIG. 10

– FIG. 10

The safety pressure valve (2) will operate when the volume reaches maximum pressure. It can also be opened manually to vent remaining pressure prior to opening.

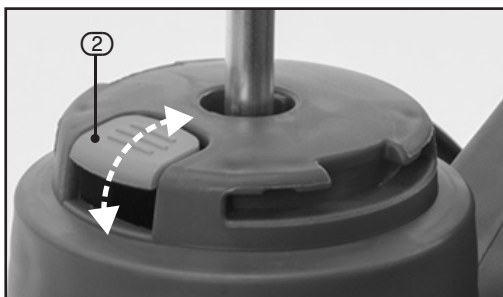


FIG. 10



9.4 SPRAY OPERATION – FIG. 11

The sprayer is operated by depressing the trigger (7).

- For continuous spraying pull the metal locking catch (7.1) forward and locate onto the plastic lug, locking the trigger in the open position.

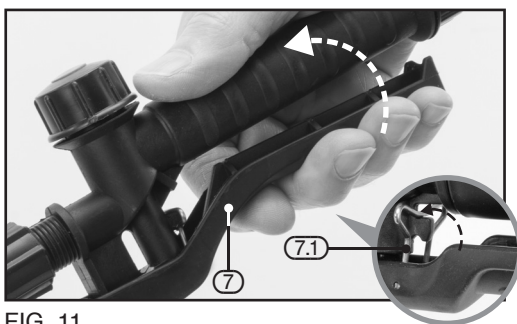


FIG. 11

9.5 FLOW RATE – FIG. 12

The force of the spray can be regulated using the flow adjustment dial (7.2) located on the trigger assembly.

- Turn the dial anti-clockwise for increased flow rate and clockwise to decrease the flow rate.

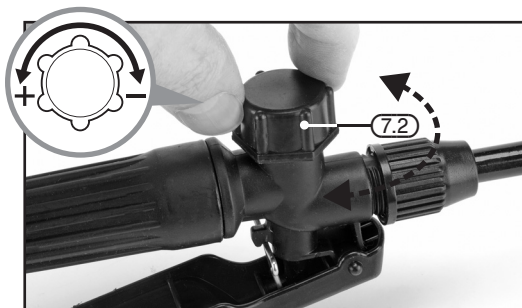


FIG. 12

9.6 VARIABLE SPRAY PATTERN – FIG. 13

The spray pattern can be varied by rotating the nozzle (4).

- The sequence of spray patterns varies from fine jet, through to wide fan.

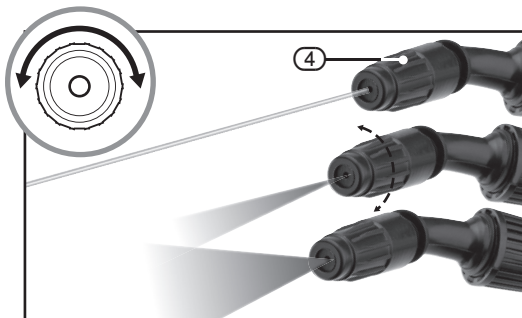


FIG. 13

10. MAINTENANCE AND TROUBLESHOOTING

10.1 MAINTENANCE

- After use, rinse the container then operate the pump with clean water to completely empty the container and piston.
- At least once a year clean pump thoroughly, re-grease or lubricate all moving parts.

Warning: When assembling and servicing, carefully insert the pump piston without forcing, so as not to damage the gasket.

10.2 TROUBLESHOOTING

Fault	Problem	Solution
Weak or no spray.	Non-pressurisation.	Check and tighten connections, if necessary.
	Loss of pressure.	Check gaskets are lubricated and show no signs of wear – replace if necessary.
	Obstruction.	Check for possible blockage in nozzle, trigger or outlet hose.
Distorted spray.	Obstruction.	Check for possible debris partially obstructing nozzle.
Leakage.	Possible sediment accumulation on sealing surfaces.	Check sealing rings are free from debris and sediment – clean or replace if necessary.

11. DISPOSAL



11.1 DISPOSAL

- At the end of the product's working life, or when it can no longer be repaired, ensure that it is disposed of according to national regulations.
- Contact your local authority for details of collection schemes in your area.

In all circumstances:

- Do not incinerate.
- Do not abandon in the environment.
- When using chemical products, consult the corresponding documentation for the correct method of disposal of any excess materials. If in any doubt, seek advice from your local authority or a certified disposal contractor.
- Do not dispose of excess chemicals into drainage/sewerage systems or into the natural environment.

CONTACTS

Draper Tools Limited, Hursley Road,
Chandler's Ford, Eastleigh, Hampshire. SO53 1YF. U.K.

Helpline: (023) 8049 4344

Sales Desk: (023) 8049 4333

Internet: drapertools.com

E-mail: sales@drapertools.com

General Enquiries: (023) 8026 6355

Service/Warranty Repair Agent:

For aftersales servicing or warranty repairs, please contact the Draper Tools Helpline for details of an agent in your local area.

YOUR DRAPER STOCKIST

TACH0617

©Published by Draper Tools Limited.

No part of this publication may be reproduced, stored in a retrieval system or transmitted in any form or by any means, electronic, mechanical photocopying, recording or otherwise without prior permission in writing from Draper Tools Ltd.