

# **VEVOR<sup>®</sup>**

## **TOUGH TOOLS, HALF PRICE**

Technical Support and E-Warranty Certificate [www.vevor.com/support](http://www.vevor.com/support)

### **Burnishing Polishing Machine**

**MODEL: S1P-HJ2209-120H**

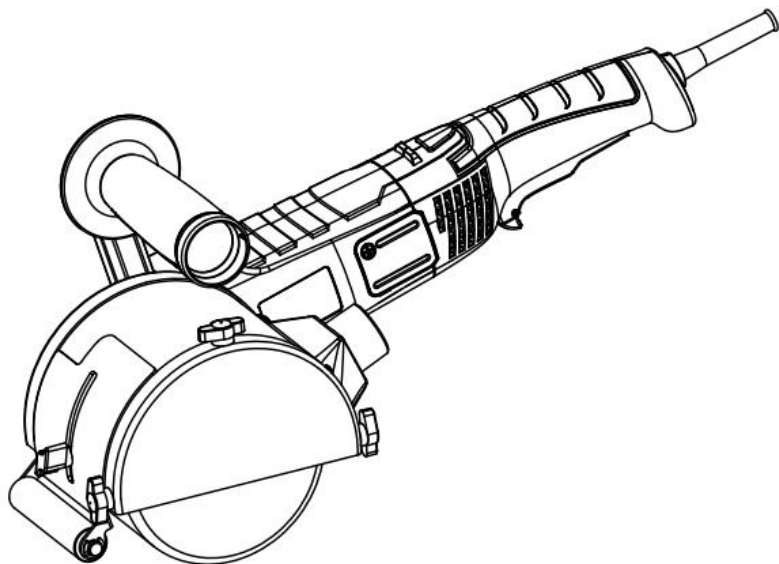
We continue to be committed to provide you tools with competitive price. "Save Half", "Half Price" or any other similar expressions used by us only represents an estimate of savings you might benefit from buying certain tools with us compared to the major top brands and does not necessarily mean to cover all categories of tools offered by us. You are kindly reminded to verify carefully when you are placing an order with us if you are actually saving half in comparison with the top major brands.

# VEVOR®

TOUGH TOOLS, HALF PRICE

## Burnishing Polishing Machine

MODEL:S1P-HJ2209-120H



### NEED HELP? CONTACT US!

Have product questions? Need technical support? Please feel free to contact us:

**Technical Support and E-Warranty Certificate**  
**[www.vevor.com/support](http://www.vevor.com/support)**

This is the original instruction, please read all manual instructions carefully before operating. VEVOR reserves a clear interpretation of our user manual. The appearance of the product shall be subject to the product you received. Please forgive us that we won't inform you again if there are any technology or software updates on our product.

# INSTRUCTIONS

## Preface

First of all, let us express our heartfelt thanks to our customers who have purchased our equipment. This manual is for customer service to make better use of this equipment. We hope the company's products and services will bring you the same courtesy.

## Important reminder

For your own safety, before assembling and using such products, you must first read this manual to clarify the unique operation, application, and possible problems of this equipment.

This manual is consistent with the date of manufacture of your machine, you will find information on the technical data of the machine. Please check for updates of our machines at the after-service site or related website.

## This burnishing machine is designed for:

- Commercial use in industries and trades.
- Surfaces processing such as, for example, burnishing, structuring, polishing, brushing, smoothing, removing rust or burrs from steel or stainless steel or non-metal materials.
- Choose proper wheel when treating wood surfaces.

## Specific Safety Instructions

All the safety warnings and instructions included in these instructions will be read and followed. Failure to comply with the safety warnings and instructions may result in electrical discharges, fire and/or serious injuries. Keep these instructions for later use.

**Take into account all the safety warnings, instructions, pictures and data handed over with this equipment. This electrical tool will be used exclusively following the prescriptions and according to its purpose.**

Exclusively use accessories specifically approved by the manufacturer for their use with this electrical tool. The rotation speed of the tool used will be the value indicated on the electronic equipment at the very least. The external dimensions and the thickness of the tool used will correspond to the measurements indicated on the electronic equipment.

The grinding drum and shroud, or other types of accessory, will fit correctly onto the corresponding spindle of the electrical tool.

**Do not use damaged accessories.**

Check the application tool before each use in order to determine if it shows detachments or fissures and, in the case of grinding plates, the presence of fissures or excess wear. If the electric tool or the application tool falls to the floor, check to see if they are damaged or directly use an undamaged tool. Once the application tool has been checked and is in position, keep yourself and others outside the rotation plane, leaving the equipment running for one minute at maximum speed.

**Use personal protection equipment.**

Use integral face protection and eye protection (protective glasses) in accordance with the regulations. If necessary, use a dust mask, ear protection (headphones), protective gloves, special footwear or an apron that keeps small particles caused by grinding away from your body.

**Ensure other persons nearby are outside your work area.**

Anyone accessing the work area must be provided the adequate protection equipment.

Do not leave the electrical tool running while moving it from one place to another.

Regularly clean the ventilation slits of the electrical tool.

Do not use the electrical tool near flammable substances.

Do not use application tools requiring liquid coolants.

### **Backward movement and corresponding safety measures**

Backlash is a sudden reaction to a jammed or blocked processing tool, such as a grinding plate, a rotating brush, etc. Jamming or blocking will lead the rotating processing tool to stop suddenly. This causes an uncontrolled acceleration of the electrical equipment at the point it became blocked, in the rotation sense opposite to that of the tool.

A backlash is the consequence of an improper or inadequate use of the electrical tool. It may be avoided by means of the preventive measures, as described below. Hold the electrical tool firmly and place your body and arms in a position allowing you to offset the backlashes. Should it exist, always use the additional handle in order to have a greater control in the case of backlashes or reactions during start-up. The operator can control the backlash or reaction forces by using the appropriate precautionary measures.

### **Never move your hand close to the application tool while it is rotating.**

The tool can move onto your hand in the case of a backlash.

### **Avoid your body from entering the area in which the electronic equipment eventually moves during backlashes.**

A backlash pushes the electrical tool in the opposite direction to the movement of the grinding disc at the point where it becomes blocked.

### **Work taking particular care near corners, sharp tubes, etc.**

Avoid the tool bouncing off the piece being processed and becoming jammed. The rotating application tool tends to get jammed on corners, sharp edges or when bouncing off the piece being processed. This leads to a loss of control or a backlash.

### **Special safety indications for roughing**

Exclusively use approved roughing elements for this electrical tool with its corresponding protection cover. Roughing elements not approved for this electrical

tool cannot be covered adequately therefore not being safe.

The protection cover will be firmly assembled on the electrical tool and adjusted in such a way maximum safety is achieved. That is to say, the smallest portion of the uncovered grinding agent will be facing the operator. The protection cover has the task of protecting the operator from bit becoming detached and from any eventual contact with the grinding element.

The grinding elements will be used exclusively for their designated uses.

Part-off or roughing discs will not be used in this electrical tool.

### **Other safety indications**

Always hold the electrical tool with both hands on the corresponding surfaces (motor casing and handle).

Hold smaller pieces to be processed in order to avoid their involuntary displacement.

The power supply network voltage and the voltage indications on the characteristics plate must coincide.

## **SYMBOLS USED**



**DANGER:** This indicates an imminent danger. In the case of non-compliance you will be at risk of death or very serious injuries.



**CAUTION:** This indicates a situation that is possibly dangerous. Non-compliance implies the risk of injuries or material damages.



Wear hearing protection



Wear eye protection



Wear breathing protection



Wear hand protection



Read instruction manual



Class II construction (double insulated for additional protection)

## Correct Disposal



This product is subject to the provision of European Directive 2012/19/EU.

The symbol showing a wheellie bin crossed through indicates that the product requires separate refuse collection in the European Union. This applies to the product and all accessories marked with this symbol. Products marked as such may not be discarded with normal domestic waste, but must be taken to a collection point for recycling electrical and electronic devices.

## Technical parameter

Product Name	Burnishing Polishing Machine
Model	S1P-HJ2209-120H
Rated power	1300W
speed	1100-3400r/min
Gear position	6
Polishing wheel size	Ø 120 × 100mm
Polishing brush type	Brass brush

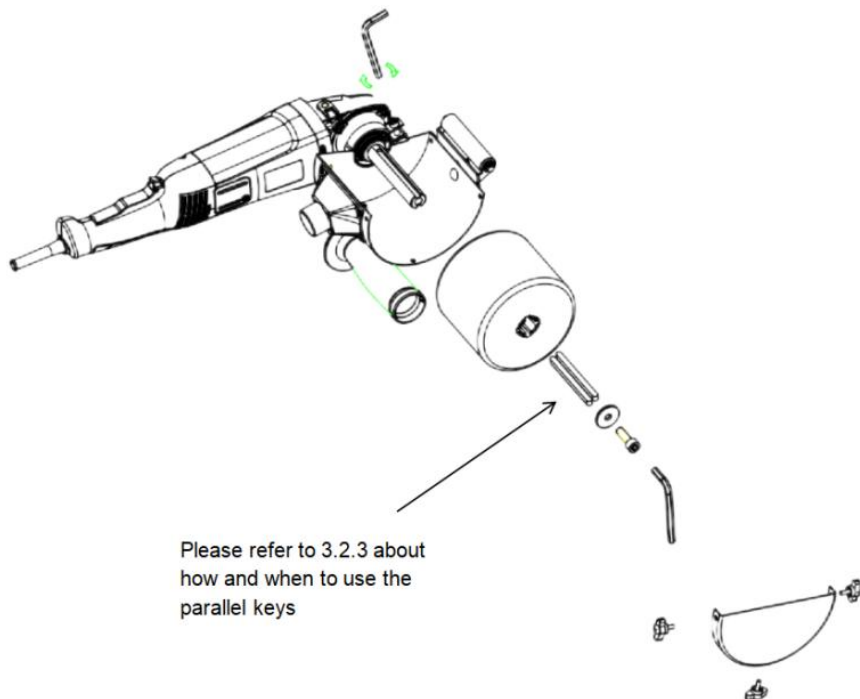
## Start-up Instructions

### Illustrated explanation

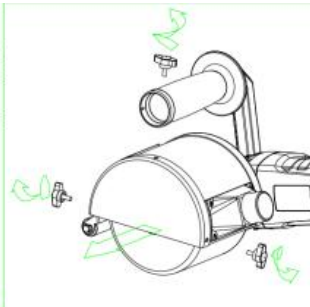
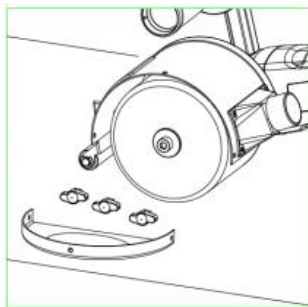
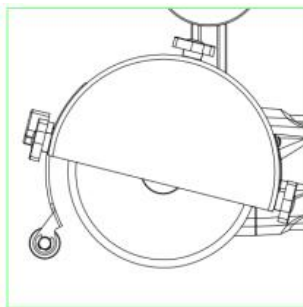
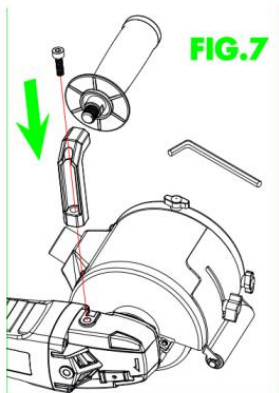
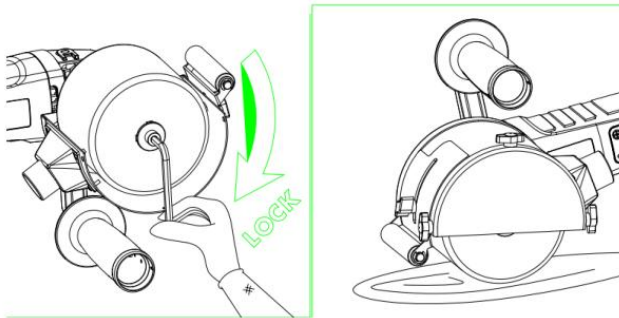
1. Switch
2. Brush cover
3. Speed controller
4. Ventilation grilles
5. Handle
6. Protective Housing
7. Disc/Drum/wheel (optional)
8. Cable
9. Gear head
10. Spindle lock button

\* The accessories described and illustrated do not correspond to the serial material included. The complete range of optional accessories is detailed in our accessory programme.

## How to assemble and disassemble

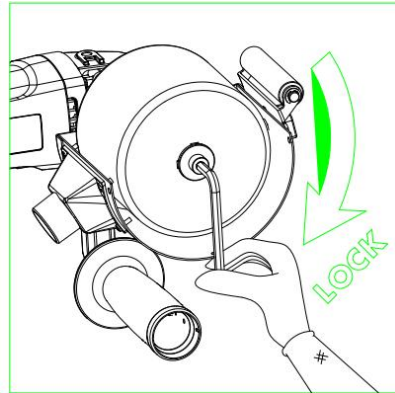
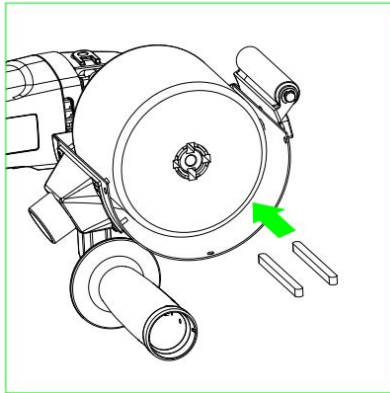
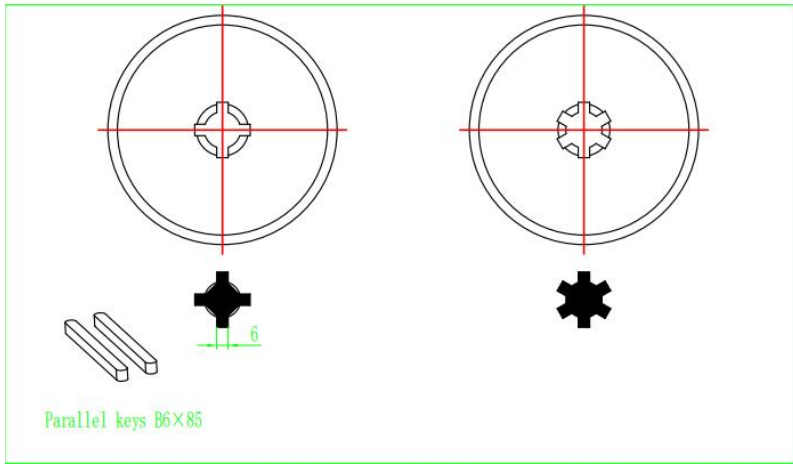


Please refer to 3.2.3 about  
how and when to use the  
parallel keys

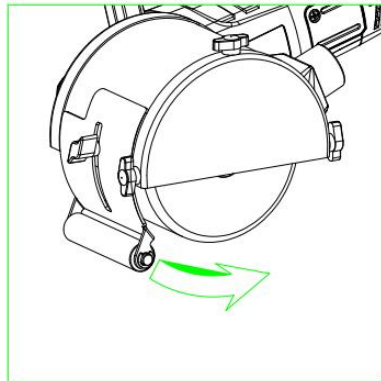
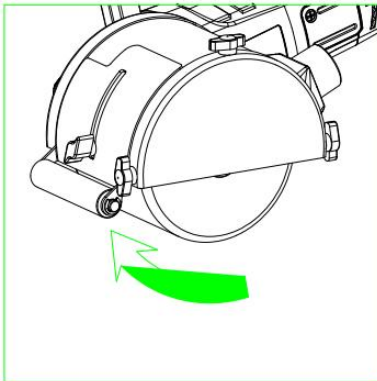


## Parallel keys :

The machine is suitable with different shaped drum with inner diameter 20mm. When the drum brush is like the ones below, please use the two parallel keys to fix.



## Height Adjustment of the guard



# Operating Instructions

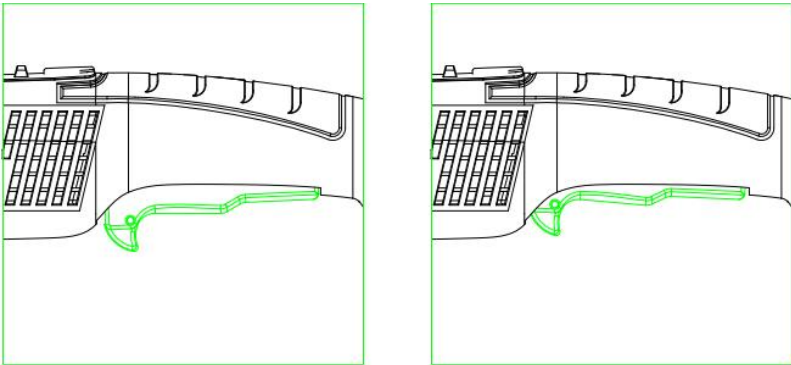
## 1. Start-up

Disconnect the power supply plug before performing any work in the electrical equipment.

Prior to start-up

Unpack the electrical tool and check the volume handed over is complete and determine if any damage occurred during its transport.

- Press switch, keeping it pressed down.
- if you want to stop the tool, release switch.



Rotation speed controller

- To adjust the working speed, turn speed controller wheel to the required value.

Hold the tool or the tool support

- Disconnect the plug from the power supply.
- Press the spindle blocking button and keep it pressed down.
- Loosen the screws with wrench and remove both discs.
- Move the tool or the corresponding support over the tool holder (position adjustment, key).

## 2. Tool Change

Gear

Do not loosen the screws at the gear head during the guarantee period.  
Non-compliance will lead to expiry of the manufacturer's guarantee.

### **3. Adjustment Operation**

Protection cover adjustment

The burnishing machine will always be used with the protection cover in place

- 1. Loosen cover adjustment screw
- 2. Adjust the protection cover in a position that is appropriate for the task to be performed and in the corresponding work position
- Adjust screw once more.
- Adjust the depth

### **4. General Use Instructions**

Once turned off, the grinding tool continues working briefly due to inertia.

Processing of flat surfaces

- Hold the electrical tool with both hands.
- For a decorative finishing of the surface:
- Carefully base the electrical tool on the surface to be processed, performing a straight-line movement forward and then back.

## **Maintenance and Cleaning Instructions**

Disconnect the power supply plug before performing any work in the electrical equipment.

Cleaning

Conducting dust may be deposited inside the casing when processing metals.

This may have an influence on the protection insulation!

Start the machine using a differential circuit breaker (maximum operating current 30 mA)

Regularly clean the equipment and the ventilation slits. Cleaning frequency will depend on the material and the intensity of use.

Periodically clean the lower part of the casing and the motor with dry compressed air.

## **1. Repair Service**

The technical service will advise you on any query you may have regarding repairs and maintenance of your product, while also on spare parts. The diagrams for taking apart and the information on spare parts are available at the service store.

Our team of technical adviser will be pleased to guide you regarding the acquisition, application and adjustment of the products and accessories.

## **2. Guarantee**

### Guarantee Card

You may find the guarantee card among the documents included with the electrical tool. The guarantee card must be filled in completely attaching to it a copy of the purchase receipt or bill and handing it in to the retailer in exchange for an acknowledgment of receipt.

NOTE! Request this card immediately from your retailer if it is missing.

The guarantee is exclusively limited to manufacturing or machining defects, expiring whenever the pieces are disassembled, handled or repaired outside the factory.

## **3. Elimination**

We recommend electrical tools, accessories and packaging are subjected to a recycling process which respects the environment.

Only for EU countries:

Do not throw electrical tools into the rubbish!

In accordance with European Directive 2002/96/EC on waste electrical and electronic equipment, after its transposition into a national law, electrical tools will be accumulated separately to be subjected to ecological recycling.

It could significantly increase the oscillation load during the entire period. The time during which the equipment is at a halt or, otherwise, the time during which it has not really worked while being in operation, will also be taken into account to determine the vibration loads. This may significantly reduce the oscillation load during the entire working period.

Implement additional safety measures for operator protection before determining the oscillations, for example: the maintenance of electrical and application tools, keeping hands warm, work sequence organization.

**Manufacturer:** Shanghaimuxinmuyeyouxiangongsi

**Address:** Shuangchenglu 803nong11hao1602A-1609shi, baoshanqu, shanghai 200000 CN.

**Imported to AUS:** SIHAO PTY LTD. 1 ROKEVA STREETEASTWOOD NSW 2122 Australia

**Imported to USA:** Sanven Technology Ltd. Suite 250, 9166 Anaheim Place, Rancho Cucamonga, CA 91730

<b>UK</b>	<b>REP</b>
-----------	------------

YH CONSULTING LIMITED.

C/O YH Consulting Limited Office 147,  
Centurion House, London Road,

Staines-upon-Thames, Surrey, TW18 4AX

<b>EC</b>	<b>REP</b>
-----------	------------

E-CrossStu GmbH

Mainzer Landstr.69, 60329 Frankfurt am Main.



**VEVOR<sup>®</sup>**

**TOUGH TOOLS, HALF PRICE**

**Technical Support and E-Warranty Certificate**

**[www.vevor.com/support](http://www.vevor.com/support)**

# VEVOR<sup>®</sup>

## TOUGH TOOLS, HALF PRICE

Assistance technique et certificat de garantie électronique [www.vevor.com/support](http://www.vevor.com/support)

### Machine de polissage et de brunissage

MODÈLE : S1P-HJ2209-120H

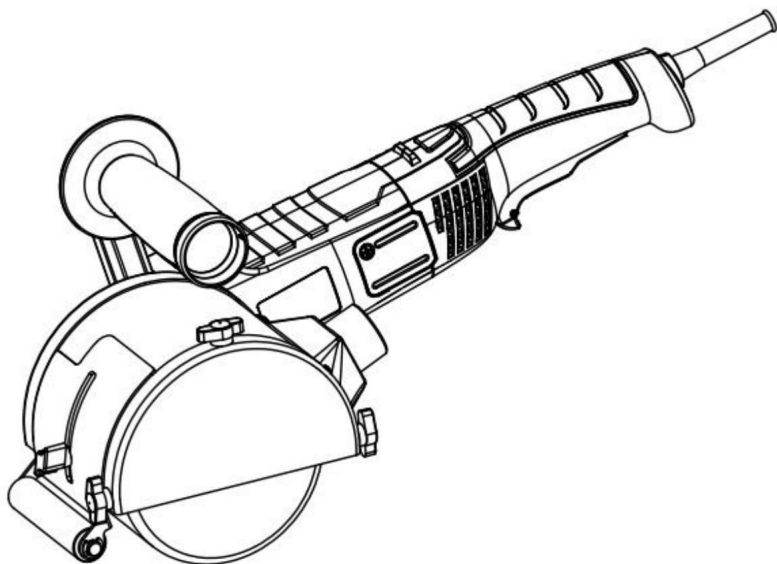
Nous continuons à nous engager à vous fournir des outils à des prix compétitifs.

« Économisez la moitié », « Moitié prix » ou toute autre expression similaire utilisée par nous ne représente qu'une estimation des économies que vous pourriez réaliser en achetant certains outils chez nous par rapport aux grandes marques et ne couvre pas nécessairement toutes les catégories d'outils que nous proposons. Nous vous rappelons de bien vouloir vérifier soigneusement lorsque vous passez une commande chez nous si vous économisez réellement la moitié par rapport aux grandes marques.

**VEVOR**<sup>®</sup>  
TOUGH TOOLS, HALF PRICE

Brunissage  
Polisseuse

MODÈLE : S1P-HJ2209-120H



**BESOIN D'AIDE? CONTACTEZ-NOUS!**

Vous avez des questions sur nos produits ? Vous avez besoin d'une assistance technique ? N'hésitez pas à nous contacter :

Assistance technique et certificat de garantie  
électronique [www.vevor.com/support](http://www.vevor.com/support)

Il s'agit de la notice d'utilisation d'origine. Veuillez lire attentivement toutes les instructions du manuel avant de l'utiliser. VEVOR se réserve le droit d'interpréter clairement notre manuel d'utilisation. L'apparence du produit dépend du produit que vous avez reçu. Veuillez nous excuser, nous ne vous informerons plus si des mises à jour technologiques ou logicielles sont disponibles sur notre produit.

# INSTRUCTIONS

## Préface

Tout d'abord, permettez-nous d'exprimer nos plus sincères remerciements à nos clients qui ont acheté notre équipement. Ce manuel est destiné au service client pour améliorer l'écrit avec cet équipement. J'espère que les produits et services de l'entreprise apporteront vous le canal courtoisie.

## Rappel important

Pour votre propre sécurité, avant d'assembler et d'utiliser de tels produits, vous devez d'abord lire ce manuel pour clarifier le fonctionnement unique, l'application et les possibilités problèmes de cet équipement.

Ce manuel est conforme à la date de fabrication de votre machine, vous trouver des informations sur les données techniques de la machine acquise vérifier manuellement pour mises à jour de nos machines sur le site après-vente ou sur le site Web associé.

## Cette brunisseuse est conçue pour :

- Utilisation commerciale dans les industries et les métiers.
- Traitement de surfaces tel que par exemple brunissage, structuration, polissage, brossage, lissage, élimination de la rouille ou des bavures de l'acier ou de l'acier inoxydable ou matériaux non métalliques.
- Choisissez la meule appropriée lors du traitement des surfaces en bois.

## Consignes de sécurité spécifiques

Tous les avertissements et instructions de sécurité inclus dans ces instructions seront lus et suivi. Le non-respect des avertissements et des instructions de sécurité peut entraîner des décharges électriques, un incendie et/ou des blessures graves. Conservez ces instructions pour une utilisation ultérieure.

Tenez compte de tous les avertissements de sécurité, instructions, images et données remis avec cet équipement. Cet outil électrique sera utilisé exclusivement suivant les prescriptions et selon son but.

Utilisez exclusivement des accessoires spécifiquement approuvés par le fabricant pour leur utiliser avec cet outil électrique. La vitesse de rotation de l'outil utilisé sera la valeur indiquées au minimum sur l'équipement électronique. Les dimensions extérieures et l'épaisseur de l'outil utilisé correspondra aux mesures indiquées sur les équipements électroniques.

Le tambour de broyage et le carénage, ou d'autres types d'accessoires, s'adapteront correctement la broche correspondante de l'outil électrique.

N'utilisez pas d'accessoires endommagés.

Vérifiez l'outil d'application avant chaque utilisation afin de déterminer s'il présente des signes de des détachements ou des fissures et, dans le cas de plaques de meulage, la présence de fissures ou usure excessive. Si l'outil électrique ou l'outil d'application tombe au sol, vérifiez s'ils sont endommagés ou utilisez directement un outil non endommagé. Une fois que le l'outil d'application a été vérifié et est en place, gardez-vous et les autres en dehors du plan de rotation, en laissant l'équipement fonctionner pendant une minute à vitesse maximale.

Utiliser un équipement de protection individuelle.

Utiliser une protection intégrale du visage et des yeux (lunettes de protection) conformément conformément à la réglementation. Si nécessaire, utilisez un masque anti-poussière, une protection auditive (casque), des gants de protection, des chaussures spéciales ou un tablier qui empêche les petites particules en vous éloignant de votre corps.

Assurez-vous que les autres personnes à proximité se trouvent en dehors de votre zone de travail.

Toute personne accédant à la zone de travail doit bénéficier d'une protection adéquate équipement.

Ne laissez pas l'outil électrique fonctionner pendant que vous le déplacez d'un endroit à un autre.

Nettoyez régulièrement les fentes d'aération de l'outil électrique.

N'utilisez pas l'outil électrique à proximité de substances inflammables.

N'utilisez pas d'outils d'application nécessitant des liquides de refroidissement.

#### Mouvement de recul et mesures de sécurité correspondantes

Le contrecoup est une réaction soudaine à un outil de traitement bloqué ou coincé, tel qu'un plaque de meulage, une brosse rotative, etc. Le blocage entraînera la rotation l'outil de traitement s'arrête brusquement. Cela provoque une accélération incontrôlée de l'équipement électrique au point où il s'est bloqué, dans le sens de rotation opposé à celle de l'outil.

Un contrecoup est la conséquence d'une utilisation incorrecte ou inadéquate de l'appareil électrique. outil. Cela peut être évité grâce aux mesures préventives décrites ci-dessous.

Tenez fermement l'outil électrique et placez votre corps et vos bras dans une position permettant pour compenser les contrecoups. S'il existe, utilisez toujours la poignée supplémentaire dans afin d'avoir un meilleur contrôle en cas de contrecoups ou de réactions lors démarrage. L'opérateur peut contrôler le jeu ou les forces de réaction en utilisant le mesures de précaution appropriées.

Ne rapprochez jamais votre main de l'outil d'application pendant qu'il tourne.

L'outil peut se déplacer sur votre main en cas de contrecoup.

Évitez que votre corps ne pénètre dans la zone où se trouvent les équipements électroniques finit par se déplacer lors des contrecoups.

Un contrecoup pousse l'outil électrique dans la direction opposée au mouvement de le disque de meulage à l'endroit où il se bloque.

Travailler en prenant particulièrement soin des angles, des tubes tranchants, etc.

Évitez que l'outil rebondisse sur la pièce à usiner et se bloque.

L'outil d'application a tendance à se coincer dans les coins, les bords tranchants ou lorsqu'il rebondit sur le pièce en cours de traitement. Cela entraîne une perte de contrôle ou un contrecoup.

#### Consignes de sécurité particulières pour l'ébauche

Utilisez exclusivement des éléments d'ébauche approuvés pour cet outil électrique avec ses couvercle de protection correspondant. Éléments de dégrossissage non homologués pour ce produit électrique

L'outil ne peut pas être couvert de manière adéquate et n'est donc pas sûr.

Le capot de protection sera solidement assemblé sur l'outil électrique et ajusté en de cette façon, une sécurité maximale est obtenue. C'est-à-dire que la plus petite partie de la l'agent de meulage non couvert sera face à l'opérateur. Le couvercle de protection a la tâche de protéger l'opérateur contre le détachement du foret et contre toute éventuelle contact avec l'élément de broyage.

Les éléments de broyage seront utilisés exclusivement pour leurs usages désignés.

Les disques de tronçonnage ou d'ébauche ne doivent pas être utilisés dans cet outil électrique.

#### Autres indications de sécurité

Tenez toujours l'outil électrique avec les deux mains sur les surfaces correspondantes (boîtier moteur et poignée).

Maintenez les plus petits morceaux à traiter afin d'éviter leur déplacement involontaire déplacement.

La tension du réseau d'alimentation et les indications de tension sur le les caractéristiques de la plaque doivent coïncider.

## SYMBOLES UTILISÉS



**DANGER** : Ceci indique un danger imminent. Dans le cas de

En cas de non-respect, vous risquez de subir des blessures graves, voire mortelles.



**ATTENTION** : Ceci indique une situation potentiellement dangereuse.

Le non-respect implique des risques de blessures ou de dommages matériels.



Portez une protection auditive



Portez une protection pour les yeux



Porter une protection respiratoire



Porter une protection pour les mains



Lire le manuel d'instructions



Construction de classe II (double isolation pour une protection supplémentaire)

## Élimination correcte



Ce produit est soumis aux dispositions de la directive européenne 2012/19/UE.

Le symbole représentant une poubelle à roulettes barrée indique que



Le produit nécessite une collecte séparée des déchets dans l'Union européenne.

s'applique au produit et à tous les accessoires marqués de ce symbole. Produits

marqués comme tels ne peuvent pas être jetés avec les déchets ménagers normaux, mais doivent être

amenés à un point de collecte pour le recyclage des appareils électriques et électroniques.

## Paramètre technique

Nom du produit	Machine de polissage et de brunissage
Modèle	S1P-HJ2209-120H
Vitesse de puissance	1300 W
nominale	1100-3400 tr/min
Position de la vitesse	6
Taille de la meule de polissage	120×100mm
Type de brosse de polissage	Brosse en laiton

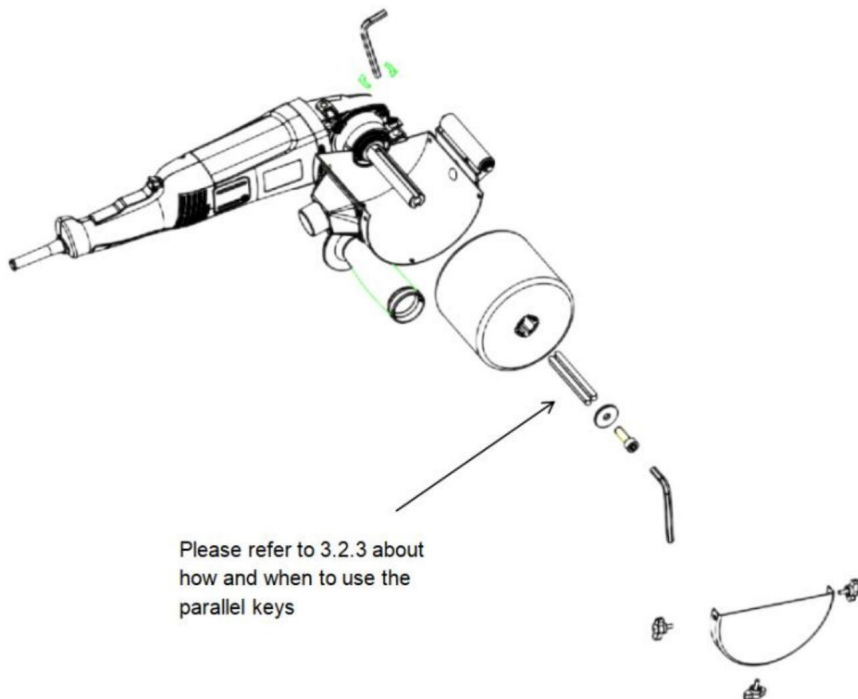
## Instructions de démarrage

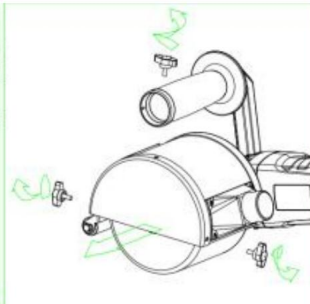
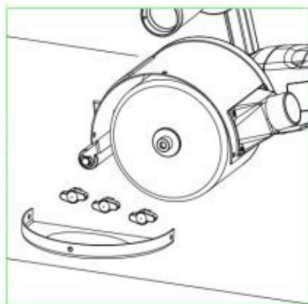
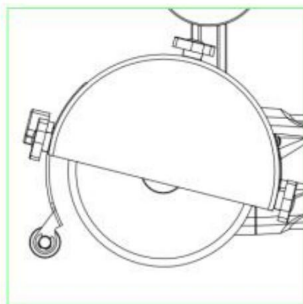
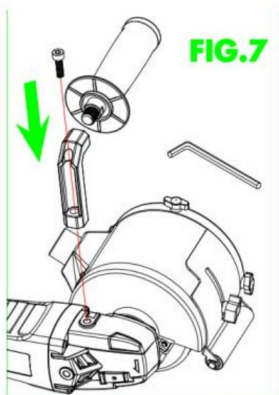
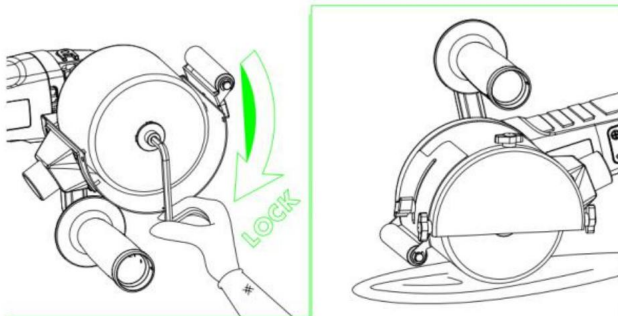
### Explication illustrée

1. Interrupteur
2. Couverture de brosse
3. Régulateur de vitesse
4. Grilles de ventilation
7. Disque/tambour/roue (en option)
5. Poignée
6. Boîtier de protection
8. Câble
9. Tête d'engrenage
10. Bouton de verrouillage de la broche

\* Les accessoires décrits et illustrés ne correspondent pas au numéro de série matériel inclus. La gamme complète d'accessoires optionnels est détaillée dans notre programme d'accessoires.

## Comment monter et démonter

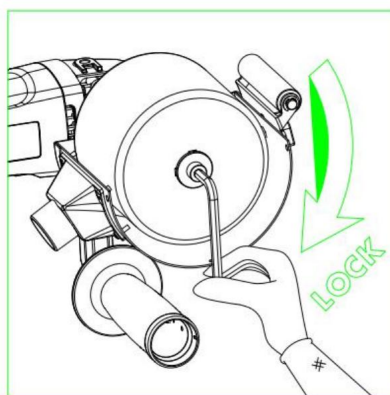
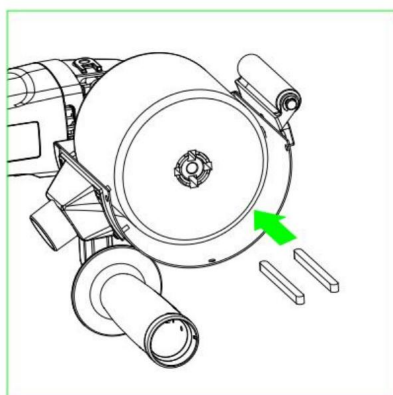
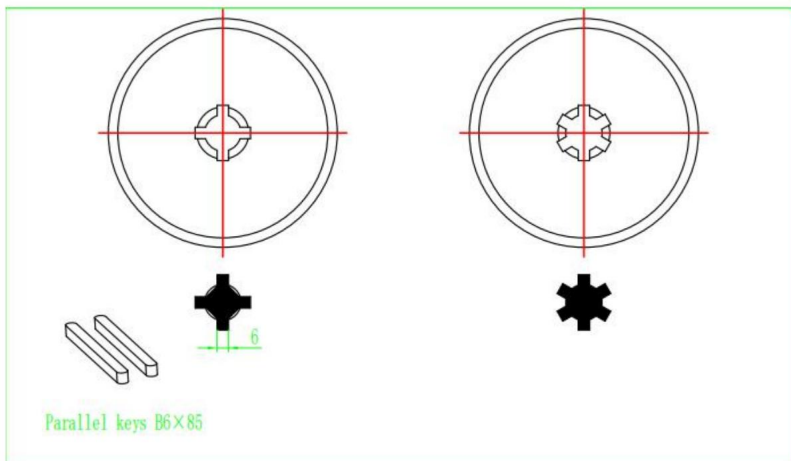




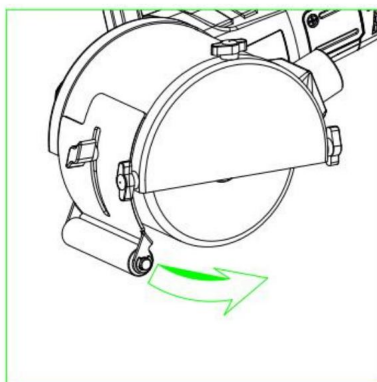
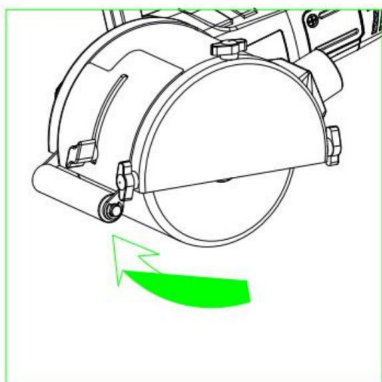
### Touches parallèles :

La machine est adaptée à différents tambours de formes différentes avec un diamètre intérieur de 20 mm.

Lorsque la brosse du tambour est comme celles ci-dessous, veuillez utiliser les deux clés parallèles pour la réparer.



## Réglage de la hauteur de la protection



# Mode d'emploi

## 1. Démarrage

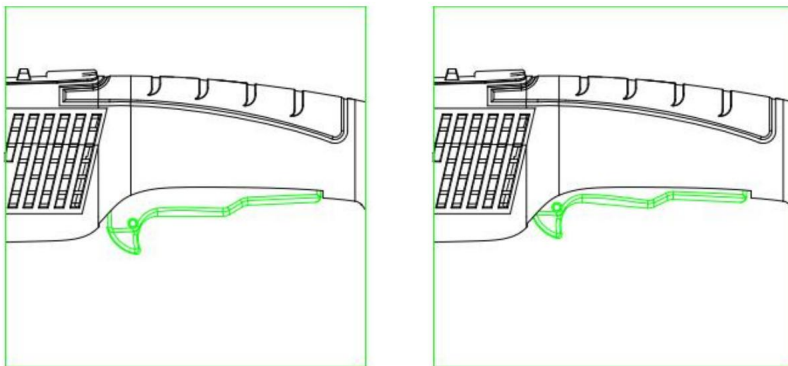
Débranchez la fiche d'alimentation avant d'effectuer tout travail sur le système électrique.  
équipement.

Avant le démarrage

Déballiez l'outil électrique et vérifiez que le volume remis est complet et  
déterminer si des dommages sont survenus pendant son transport.

-Appuyez sur l'interrupteur en le maintenant enfoncé.

-Si vous souhaitez arrêter l'outil, relâchez l'interrupteur.



Contrôleur de vitesse de rotation

-Pour régler la vitesse de travail, tournez la molette du régulateur de vitesse sur la valeur requise.

Tenir l'outil ou le support de l'outil -

Débrancher la fiche de l'alimentation électrique.

-Appuyez sur le bouton de blocage de la broche et maintenez-le enfoncé.

-Desserrez les vis avec une clé et retirez les deux disques.

- Déplacer l'outil ou le support correspondant sur le porte-outil (position réglage, clé).

## 2. Changement d'outil

Engrenage

Ne desserrez pas les vis de la tête d'engrenage pendant la période de garantie.

Le non-respect entraînera l'expiration de la garantie du fabricant.

### 3. Opération de réglage

#### Réglage du capot de protection

La brunisseuse sera toujours utilisée avec le capot de protection en place

- 1. Desserrer la vis de réglage du couvercle
- 2. Ajustez le capot de protection dans une position adaptée à la tâche à accomplir.  
exécuté et dans la position de travail correspondante
- Réglez à nouveau la vis.
- Régler la profondeur

### 4. Instructions générales d'utilisation

Une fois éteint, l'outil de meulage continue de fonctionner brièvement en raison de l'inertie.

#### Traitement de surfaces planes

- Tenez l'outil électrique à deux mains.
- Pour une finition décorative de la surface : - Basez soigneusement l'outil électrique sur la surface à traiter, en effectuant un mouvement en ligne droite vers l'avant puis vers l'arrière.

## Instructions d'entretien et de nettoyage

Débranchez la fiche d'alimentation avant d'effectuer tout travail sur le système électrique.  
équipement.

#### Nettoyage

Des poussières conductrices peuvent se déposer à l'intérieur du boîtier lors du traitement des métaux.

Cela peut avoir une influence sur l'isolation de protection !

Démarrer la machine à l'aide d'un disjoncteur différentiel (courant de fonctionnement maximal  
30 mA)

Nettoyez régulièrement l'équipement et les fentes d'aération. La fréquence de nettoyage  
dépend du matériau et de l'intensité d'utilisation.

Nettoyer périodiquement la partie inférieure du boîtier et le moteur avec de l'eau comprimée sèche.  
air.

### 1. Service de réparation

Le service technique vous conseillera sur toute question que vous pourriez avoir concernant les réparations et l'entretien de votre produit, ainsi que sur les pièces de rechange. Les schémas pour le démontage et les informations sur les pièces de rechange sont disponibles au magasin de service.

Notre équipe de conseillers techniques se fera un plaisir de vous guider concernant les acquisition, application et mise au point des produits et accessoires.

### 2. Garantie

#### Carte de garantie

Vous pouvez trouver la carte de garantie parmi les documents inclus avec l'appareil électrique. outil. La carte de garantie doit être entièrement remplie en y joignant une copie de la reçu d'achat ou facture et le remettre au détaillant en échange d'un accusé de réception.

**REMARQUE !** Demandez immédiatement cette carte à votre revendeur si elle est manquante.

La garantie est exclusivement limitée aux défauts de fabrication ou d'usinage, expirant chaque fois que les pièces sont démontées, manipulées ou réparées en dehors du usine.

### 3. Élimination

Nous recommandons que les outils électriques, les accessoires et les emballages soient soumis à un processus de recyclage respectueux de l'environnement.

Uniquement pour les pays de l'UE :

**Ne jetez pas les outils électriques à la poubelle !**

Conformément à la directive européenne 2002/96/CE relative aux déchets d'équipements électriques et électroniques équipements électroniques, après sa transposition dans une loi nationale, les outils électriques seront être accumulés séparément pour faire l'objet d'un recyclage écologique.

Cela pourrait augmenter considérablement la charge d'oscillation pendant toute la période. Le temps pendant lequel l'équipement est à l'arrêt ou, à défaut, le temps pendant lequel il a pas vraiment travaillé pendant son fonctionnement, sera également pris en compte pour déterminer les charges vibratoires. Cela peut réduire considérablement la charge d'oscillation pendant toute la période de travail.

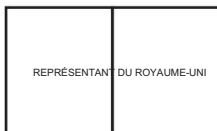
Mettre en œuvre des mesures de sécurité supplémentaires pour la protection de l'opérateur avant de déterminer les oscillations, par exemple : l'entretien des outils électriques et d'application, le maintien au chaud des mains, l'organisation des séquences de travail.

Fabricant : Shanghaimuxinmuyeyouxiangongsi

Adresse : Shuangchenglu 803nong11hao1602A-1609shi, baoshanqu, Shanghai  
200 000 CN.

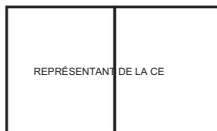
Importé en Australie : SIHAO PTY LTD. 1 ROKEVA STREET EASTWOOD NSW 2122  
Australie

Importé aux États-Unis : Sanven Technology Ltd. Suite 250, 9166 Anaheim Place, Rancho  
Cucamonga, CA 91730



YH CONSULTING LIMITÉE.

C/O YH Consulting Limited Bureau 147,  
Maison du Centurion, route de Londres,  
Staines-upon-Thames, Surrey, TW18 4AX



E-CrossStu GmbH

Mainzer Landstr.69, 60329 Francfort-sur-le-Main.



**VEVOR<sup>®</sup>**

**TOUGH TOOLS, HALF PRICE**

Assistance technique et certificat de garantie  
électronique [www.vevor.com/support](http://www.vevor.com/support)

# VEVOR<sup>®</sup>

## TOUGH TOOLS, HALF PRICE

Technischer Support und E-Garantie-Zertifikat [www.vevor.com/support](http://www.vevor.com/support)

## Poliermaschine

MODELL: S1P-HJ2209-120H

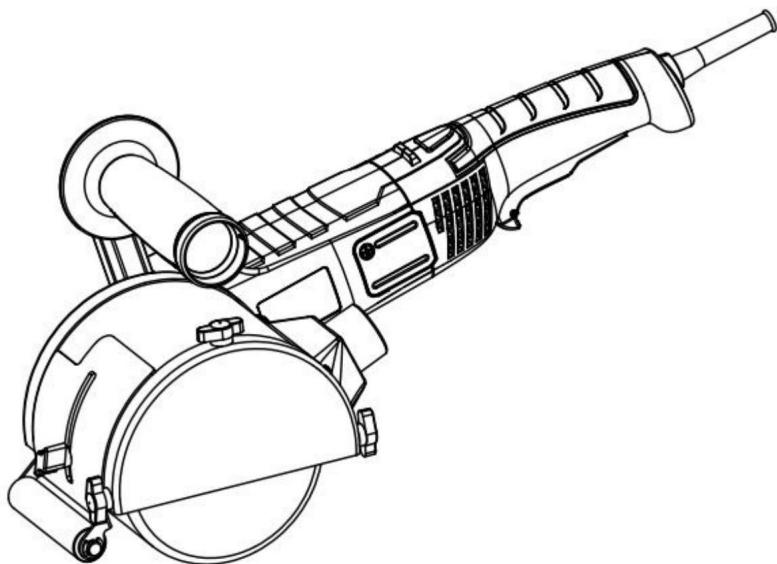
Wir sind weiterhin bestrebt, Ihnen Werkzeuge zu wettbewerbsfähigen Preisen anzubieten.

„Sparen Sie die Hälfte“, „Halber Preis“ oder andere ähnliche Ausdrücke, die wir verwenden, stellen nur eine Schätzung der Ersparnis dar, die Sie beim Kauf bestimmter Werkzeuge bei uns im Vergleich zu den großen Topmarken erzielen können, und decken nicht unbedingt alle von uns angebotenen Werkzeugkategorien ab. Wir möchten Sie freundlich daran erinnern, bei Ihrer Bestellung bei uns sorgfältig zu prüfen, ob Sie im Vergleich zu den großen Topmarken tatsächlich die Hälfte sparen.

**VEVOR**<sup>®</sup>  
TOUGH TOOLS, HALF PRICE

**Polieren  
Poliermaschine**

MODELL:S1P-HJ2209-120H



**Brauchen Sie Hilfe? Kontaktieren Sie uns!**

Sie haben Fragen zu unseren Produkten? Sie benötigen technischen Support? Dann kontaktieren Sie uns gerne:

**Technischer Support und E-Garantie-Zertifikat**  
**[www.vevor.com/support](http://www.vevor.com/support)**

Dies ist die Originalanleitung. Bitte lesen Sie alle Anweisungen sorgfältig durch, bevor Sie das Gerät in Betrieb nehmen. VEVOR behält sich eine klare Auslegung unserer Bedienungsanleitung vor. Das Erscheinungsbild des Produkts richtet sich nach dem Produkt, das Sie erhalten haben. Bitte verzeihen Sie uns, dass wir Sie nicht erneut informieren, wenn es Technologie- oder Software-Updates für unser Produkt gibt.

# ANWEISUNGEN

## Vorwort

Zunächst möchten wir unseren Kunden unseren herzlichsten Dank aussprechen, die

Dieses Handbuch ist für den Kundendienst gedacht, um Ihnen eine bessere

Geschrieben mit dieser Ausrüstung. Hoffen, dass die Produkte und Dienstleistungen des Unternehmens zu bringen

Ihnen den Kanal mit freundlicher Genehmigung.

## Wichtiger Hinweis

Zu Ihrer eigenen Sicherheit müssen Sie vor der Montage und Verwendung solcher Produkte zunächst

Lesen Sie dieses Handbuch, um die einzigartige Bedienung, Anwendung und mögliche

Probleme dieses Geräts.

Dieses Handbuch entspricht dem Herstellungsdatum Ihrer Maschine. Sie werden

finden Sie Informationen über die technischen Daten der Maschine erworben Handbuch überprüfen für

Updates unserer Maschinen auf der Kundendienst-Site oder der entsprechenden Website.

## Diese Poliermaschine ist konzipiert für:

-Gewerblicher Einsatz in Industrie und Handwerk.

-Oberflächenbearbeitung wie z.B. Brünieren, Strukturieren, Polieren,

Bürsten, Glätten, Entrosten und Entgraten von Stahl oder Edelstahl oder

nichtmetallische Werkstoffe.

- Wählen Sie bei der Behandlung von Holzoberflächen das richtige Rad.

## Besondere Sicherheitshinweise

Alle in dieser Anleitung enthaltenen Sicherheitshinweise und Anweisungen werden gelesen

und befolgt werden. Die Nichtbeachtung der Sicherheitshinweise und Anweisungen kann

zu elektrischen Entladungen, Bränden und/oder schweren Verletzungen führen. Bewahren Sie diese Anweisungen

zur späteren Verwendung.

**Beachten Sie alle Sicherheitshinweise, Anweisungen, Bilder und Daten**

**Dieses Elektrowerkzeug darf nur mit diesem Gerät verwendet werden.**

**gemäß den Vorschriften und entsprechend ihrem Zweck.**

Benutzen Sie ausschließlich Zubehör, das vom Hersteller für den jeweiligen Einsatzzweck freigegeben ist. mit diesem Elektrowerkzeug verwenden. Die Drehzahl des verwendeten Werkzeugs ist der Wert auf dem elektronischen Gerät angegeben werden. Die Außenmaße und die Dicke des verwendeten Werkzeugs entspricht den angegebenen Maßen auf der elektronischen Ausrüstung.

Die Schleifrommel und die Abdeckung oder andere Zubehörteile passen genau auf die entsprechende Spindel des Elektrowerkzeugs.

**Beschädigtes Zubehör nicht verwenden.**

Überprüfen Sie das Anwendungswerkzeug vor jedem Gebrauch, um festzustellen, ob es Ablösungen oder Risse und bei Schleifplatten das Vorhandensein von Risse oder übermäßigen Verschleiß. Wenn das Elektrowerkzeug oder das Einsatzwerkzeug auf den Boden fällt, überprüfen Sie, ob sie beschädigt sind oder verwenden Sie direkt ein unbeschädigtes Werkzeug. Sobald die Wenn das Werkzeug überprüft wurde und in Position ist, schützen Sie sich und andere außerhalb der Rotationsebene, wobei das Gerät eine Minute lang bei Höchstgeschwindigkeit.

**Verwenden Sie persönliche Schutzausrüstung.**

Benutzen Sie einen integrierten Gesichtsschutz und Augenschutz (Schutzbrille) gemäß den Vorschriften entsprechend. Verwenden Sie bei Bedarf eine Staubmaske, einen Gehörschutz (Kopfhörer), Schutzhandschuhe, spezielles Schuhwerk oder eine Schürze, die kleine Partikel abhält, die indem es von Ihrem Körper weg schleift.

**Stellen Sie sicher, dass sich keine anderen Personen in der Nähe Ihres Arbeitsbereichs aufhalten.**

Jeder, der den Arbeitsbereich betritt, muss ausreichend geschützt sein Ausrüstung.

Lassen Sie das Elektrowerkzeug nicht eingeschaltet, während Sie es von einem Ort zum anderen transportieren.

Reinigen Sie regelmäßig die Lüftungsschlitze des Elektrowerkzeugs.

Benutzen Sie das Elektrowerkzeug nicht in der Nähe von brennbaren Stoffen.

Verwenden Sie keine Anwendungswerkzeuge, die flüssige Kühlmittel benötigen.

### **Rückwärtsbewegung und entsprechende Sicherheitsmaßnahmen**

Ein Backlash ist eine plötzliche Reaktion auf ein verklemmtes oder blockiertes Bearbeitungswerkzeug, wie z.B. Schleifplatte, eine rotierende Bürste usw. Blockieren oder Blockieren führt dazu, dass die rotierende Bearbeitungswerkzeug plötzlich zum Stehen kommt. Dies führt zu einer unkontrollierten Beschleunigung des elektrisches Gerät an der Stelle, an der es blockiert wurde, in der Drehrichtung entgegengesetzt zu der des Werkzeugs.

Ein Backlash ist die Folge einer unsachgemäßen oder ungeeigneten Verwendung der elektrischen Werkzeug. Dies kann durch die im Folgenden beschriebenen vorbeugenden Maßnahmen vermieden werden. Halten Sie das Elektrowerkzeug fest und bringen Sie Körper und Arme in eine Position, die es Sie können das Spiel ausgleichen. Sollte es vorhanden sein, verwenden Sie immer den Zusatzhandgriff in um eine bessere Kontrolle im Falle von Rückschlägen oder Reaktionen während Anlauf. Der Bediener kann das Spiel bzw. die Reaktionskräfte steuern, indem er die entsprechende Vorsichtsmaßnahmen.

### **Bewegen Sie Ihre Hand niemals in die Nähe des rotierenden Auftragswerkzeugs.**

Bei einem Rückschlag kann das Werkzeug auf Ihre Hand gelangen.

### **Vermeiden Sie, dass Ihr Körper in den Bereich gelangt, in dem sich das elektronische Gerät befindet bewegt sich schließlich während des Rückschlags.**

Ein Spiel drückt das Elektrowerkzeug in die entgegengesetzte Richtung zur Bewegung des die Mahlscheibe an der Stelle, wo sie blockiert.

### **Arbeiten Sie besonders vorsichtig in der Nähe von Ecken, scharfen Rohren usw.**

Vermeiden Sie, dass das Werkzeug vom Werkstück abprallt und sich verklemmt. Das Auftragswerkzeug bleibt häufig an Ecken, scharfen Kanten oder beim Abprallen von der Es kommt zu einem Kontrollverlust oder einem Rückschlag.

### **Besondere Sicherheitshinweise zum Schrappen**

Verwenden Sie ausschließlich für dieses Elektrowerkzeug zugelassene Schrappwerkzeuge mit entsprechende Schutzabdeckung. Nicht für diese Elektroinstallation zugelassene Vorbauelemente

Das Werkzeug kann nicht ausreichend abgedeckt werden und ist daher nicht sicher.  
Die Schutzhaube wird fest auf dem Elektrowerkzeug montiert und in  
Auf diese Weise wird maximale Sicherheit erreicht. Das heißt, der kleinste Teil des  
Das freiliegende Schleifmittel ist dem Bediener zugewandt. Die Schutzabdeckung hat die  
Aufgabe ist es, den Bediener vor dem Lösen des Bohrers und vor eventuellen  
Kontakt mit dem Schleifelement.  
Die Schleifkörper sind ausschließlich bestimmungsgemäß zu verwenden.  
Trenn- oder Schruppscheiben können in diesem Elektrowerkzeug nicht verwendet werden.

### Andere Sicherheitshinweise

Halten Sie das Elektrowerkzeug immer mit beiden Händen an den entsprechenden Flächen  
(Motorgehäuse und Griff).  
Halten Sie kleinere zu verarbeitende Stücke fest, um ein unbeabsichtigtes  
Verschiebung.  
Die Netzspannung und die Spannungsangaben auf der  
Typenschild müssen übereinstimmen.

## VERWENDETE SYMBOLE



**GEFAHR:** Dies weist auf eine unmittelbar drohende Gefahr hin.  
Bei Nichtbeachtung besteht die Gefahr des Todes oder schwerster Verletzungen.



**ACHTUNG:** Dies weist auf eine möglicherweise gefährliche Situation hin.  
Bei Nichtbeachtung besteht die Gefahr von Verletzungen oder Sachschäden.



Tragen Sie einen Gehörschutz



Tragen Sie einen Augenschutz



Atemschutz tragen



Handschutz tragen



Bedienungsanleitung lesen



Konstruktion der Klasse II (doppelt isoliert für zusätzlichen Schutz)

## Richtige Entsorgung



Dieses Produkt unterliegt den Bestimmungen der europäischen Richtlinie 2012/19/EU.

Das Symbol einer durchgestrichenen Mülltonne weist darauf hin, dass die

Das Produkt muss in der Europäischen Union getrennt entsorgt werden.

gilt für das Produkt und alle mit diesem Symbol gekennzeichneten Zubehörteile. Produkte gekennzeichnete Produkte dürfen nicht mit dem normalen Hausmüll entsorgt werden, sondern müssen an einer Sammelstelle für das Recycling von elektrischen und elektronischen Geräten abgegeben werden.

## Technische Parameter

Produktname	Poliermaschine
Modell	S1P-HJ2209-120H
Nennleistung	1300 W
Drehzahl	1100–3400 U/min
Gangposition	6
Polierscheibengröße	120×100mm
Polierbürstentyp	Messingbürste

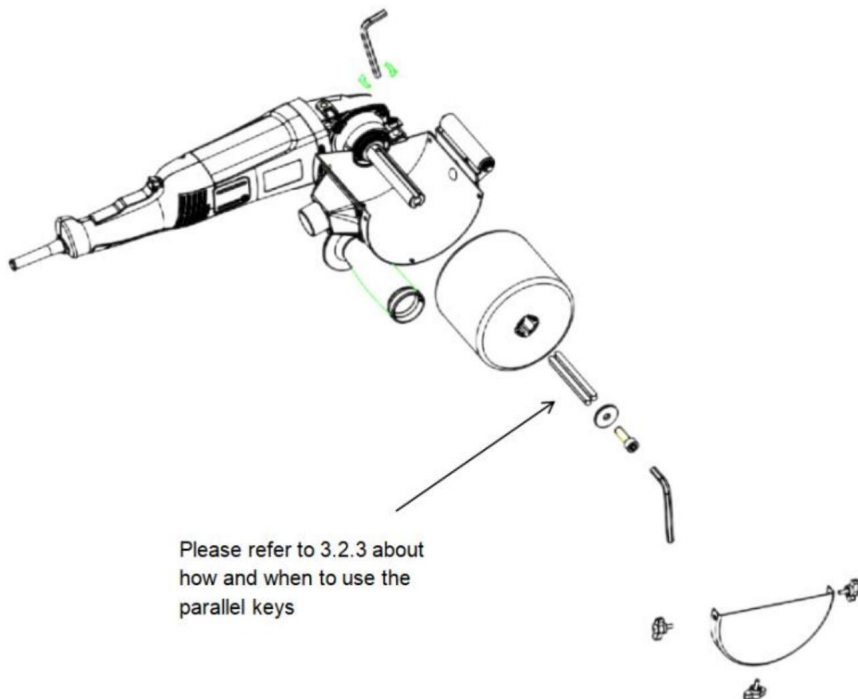
## Inbetriebnahmeanleitung

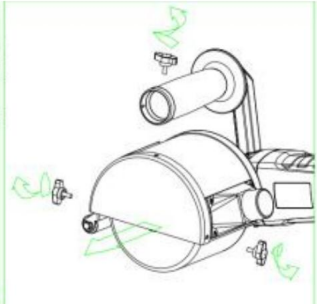
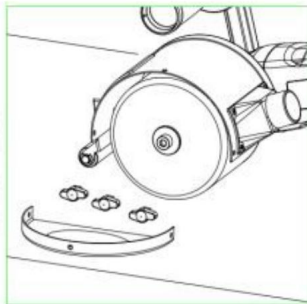
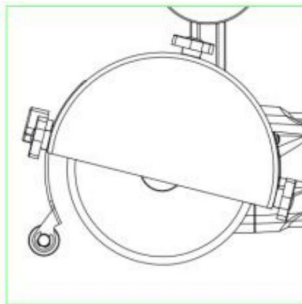
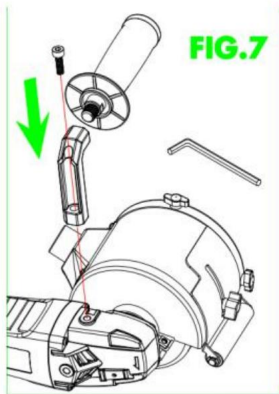
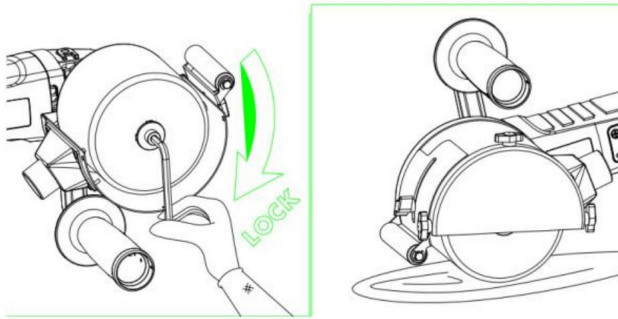
### Bebilderte Erklärung

1. Schalter
2. Bürstenabdeckung
3. Geschwindigkeitsregler
4. Lüftungsgitter
5. Griff
6. Schutzgehäuse
- Scheibe/Trommel/Rad (optional)
8. Kabel
9. Getriebekopf
10. Spindelarretierungstaste

\* Das beschriebene und abgebildete Zubehör entspricht nicht der Serienausstattung Material enthalten. Das komplette Angebot an optionalem Zubehör finden Sie in unserer Zubehörprogramm.

## So montieren und demontieren Sie

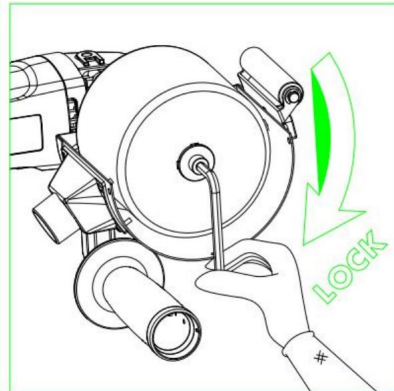
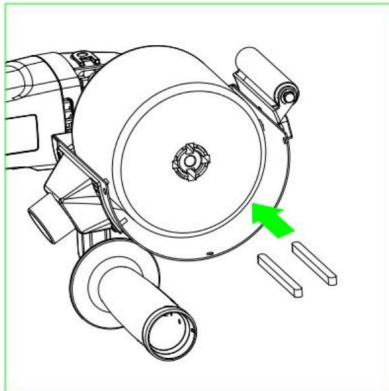
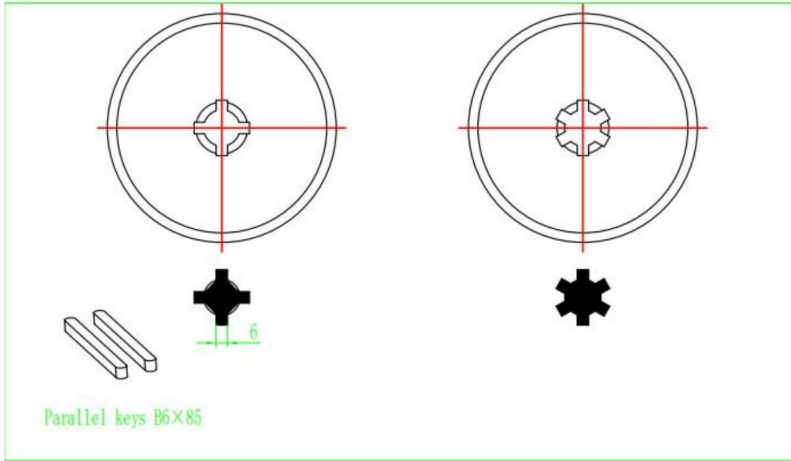




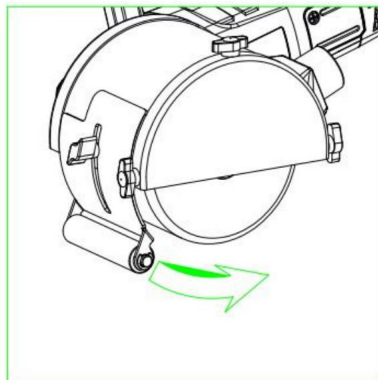
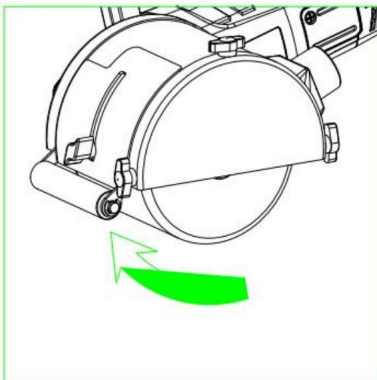
## Passfedern:

Die Maschine ist für Trommeln unterschiedlicher Form mit einem Innendurchmesser von 20mm geeignet.

Wenn die Trommelbürste wie die unten abgebildeten aussieht, verwenden Sie zur Befestigung bitte die beiden Paßfedern.



## Höhenverstellung des Schutzes



# Bedienungsanleitung

## 1. Inbetriebnahme

Vor allen Arbeiten an der Elektrik den Netzstecker ziehen.

Ausrüstung.

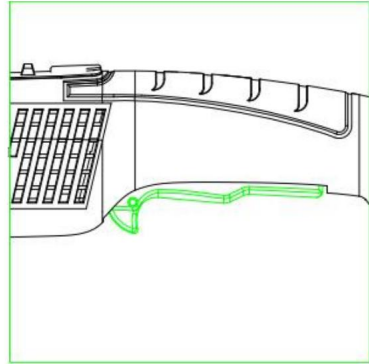
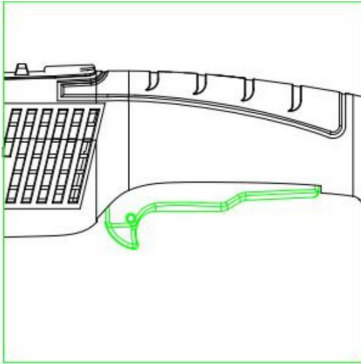
Vor der Inbetriebnahme

Packen Sie das Elektrowerkzeug aus und überprüfen Sie die Vollständigkeit des übergebenen Lieferumfangs.

Stellen Sie fest, ob während des Transports Schäden aufgetreten sind.

- Drücken Sie den Schalter und halten Sie ihn gedrückt. -

Wenn Sie das Werkzeug stoppen möchten, lassen Sie den Schalter los.



Drehzahlregler

- Um die Arbeitsgeschwindigkeit einzustellen, drehen Sie das Drehzahlreglerrad auf den gewünschten Wert.

Halten Sie das Werkzeug bzw. die

Werkzeughalterung fest. - Ziehen Sie den Stecker aus der Steckdose.

-Drücken Sie den Spindelblockierknopf und halten Sie ihn gedrückt.

-Lösen Sie die Schrauben mit dem Schraubenschlüssel und entfernen Sie beide Scheiben.

- Das Werkzeug bzw. die entsprechende Halterung über den Werkzeughalter bewegen (Position Einstellung, Schlüssel).

## 2. Werkzeugwechsel

Gang

Während der Garantiezeit dürfen die Schrauben am Getriebekopf nicht gelöst werden.

Bei Nichtbeachtung erlischt die Herstellergarantie.

### **3. Einstellvorgang**

Schutzabdeckungseinstellung

Die Poliermaschine wird immer mit angebrachter Schutzabdeckung verwendet

- 1. Deckeleinstellschraube lösen
- 2. Stellen Sie die Schutzabdeckung in eine Position, die für die auszuführende Aufgabe geeignet ist durchgeführt und in der entsprechenden Arbeitsposition
- Schraube noch einmal verstellen.
- Passen Sie die Tiefe an

### **4. Allgemeine Gebrauchshinweise**

Nach dem Ausschalten arbeitet das Schleifwerkzeug aufgrund der Massenträgheit noch kurzzeitig weiter.

Bearbeitung ebener Flächen

- Halten Sie das Elektrowerkzeug mit beiden Händen.
- Für eine dekorative Oberflächenbearbeitung: - Setzen

Sie das Elektrowerkzeug vorsichtig auf die zu bearbeitende Oberfläche auf und führen Sie eine geradlinige Bewegung vorwärts und dann zurück.

## **Wartungs- und Reinigungshinweise**

Vor allen Arbeiten an der Elektrik den Netzstecker ziehen.

Ausrüstung.

Reinigung

Bei der Metallbearbeitung kann es zur Ablagerung leitfähiger Stäube im Gehäuseinneren kommen.

Dies kann Einfluss auf die Schutzisolierung haben!

Starten Sie die Maschine mit einem Fehlerstrom-Schutzschalter (maximaler Betriebsstrom 30mA)

Reinigen Sie das Gerät und die Lüftungsschlitze regelmäßig. Die Reinigungshäufigkeit wird hängen vom Material und der Nutzungsintensität ab.

Reinigen Sie das Gehäuseunterteil und den Motor regelmäßig mit trockener Druckluft.  
Luft.

## **1. Reparaturservice**

Der technische Service berät Sie bei allen Fragen rund um die Reparatur und Wartung Ihres Produkts, aber auch Ersatzteile. Die Diagramme für Informationen zur Demontage und zu Ersatzteilen erhalten Sie im Service-Store.

Unser Team von technischen Beratern berät Sie gerne über die Erwerb, Anwendung und Einstellung der Produkte und des Zubehörs.

## **2. Garantie**

Garantiekarte

Die Garantiekarte finden Sie in den Unterlagen, die dem Elektrogerät beiliegen Werkzeug. Die Garantiekarte muss vollständig ausgefüllt und mit einer Kopie des Kaufbeleg oder Rechnung und geben Sie diese beim Einzelhändler ab, um eine Empfangsbestätigung.

**HINWEIS!** Fordern Sie diese Karte bei Verlust umgehend bei Ihrem Händler an.

Die Garantie ist ausschließlich auf Herstellungs- oder Bearbeitungsfehler beschränkt und erlischt, wenn die Teile außerhalb des Fabrik.

## **3. Beseitigung**

Wir empfehlen, Elektrowerkzeuge, Zubehör und Verpackungen einer Recyclingprozess, der die Umwelt schont.

Nur für EU-Länder:

Werfen Sie Elektrowerkzeuge nicht in den Müll!

Gemäß der europäischen Richtlinie 2002/96/EG über Elektro- und Elektronik-Altgeräte elektronischer Geräte, nach der Umsetzung in ein nationales Gesetz werden elektrische Werkzeuge müssen getrennt gesammelt und einem ökologischen Recycling zugeführt werden.

Es könnte die Schwingungsbelastung während der gesamten Periode deutlich erhöhen. Die Zeit während der das Gerät stillsteht oder andernfalls die Zeit, in der es nicht wirklich im Betrieb gearbeitet, werden auch berücksichtigt, um die Schwingungsbelastungen zu ermitteln. Dadurch kann die Schwingungsbelastung deutlich reduziert werden während der gesamten Arbeitszeit.

Treffen Sie zusätzliche Sicherheitsmaßnahmen zum Schutz des Bedieners, bevor Sie die Schwingungen, zum Beispiel: Wartung von Elektro- und Anwendungswerkzeugen, Warmhalten der Hände, Organisation von Arbeitsabläufen.

**Hersteller:** Shanghaimuxinmuyeyouxiangongsi

**Adresse:** Shuangchenglu 803nong11hao1602A-1609shi, Baoshanqu, Shanghai 200000 CN.

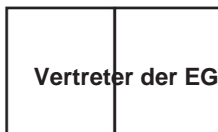
**Nach AUS importiert:** SIHAO PTY LTD. 1 ROKEVA STREETEASTWOOD NSW 2122 Australien

**Importiert in die USA:** Sanven Technology Ltd. Suite 250, 9166 Anaheim Place, Rancho Cucamonga, CA 91730



YH CONSULTING LIMITED.

C/O YH Consulting Limited Office 147,  
Centurion House, London Road,  
Staines-upon-Thames, Surrey, TW18 4AX



E-CrossStu GmbH

Mainzer Landstr.69, 60329 Frankfurt am Main.



**VEVOR<sup>®</sup>**

**TOUGH TOOLS, HALF PRICE**

**Technischer Support und E-Garantie-Zertifikat**

**[www.vevor.com/support](http://www.vevor.com/support)**

# VEVOR<sup>®</sup>

## TOUGH TOOLS, HALF PRICE

Supporto tecnico e certificato di garanzia elettronica [www.vevor.com/support](http://www.vevor.com/support)

## Lucidatrice per lucidatura

**MODELLO: S1P-HJ2209-120H**

Continuiamo a impegnarci per fornirvi strumenti a prezzi competitivi.

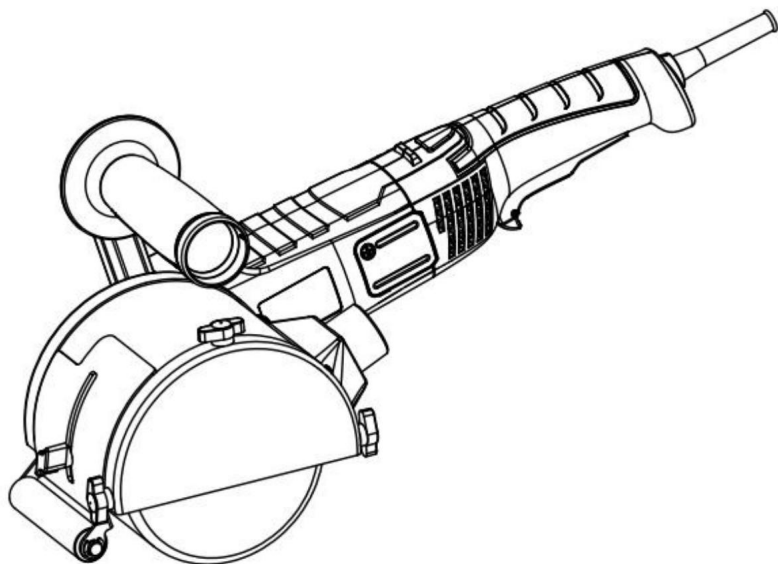
"Risparmia la metà", "Metà prezzo" o qualsiasi altra espressione simile da noi utilizzata rappresenta solo una stima del risparmio che potresti ottenere acquistando determinati utensili con noi rispetto ai principali marchi principali e non significa necessariamente coprire tutte le categorie di utensili da noi offerti. Ti ricordiamo gentilmente di verificare attentamente quando effettui un ordine con noi se stai effettivamente risparmiando la metà rispetto ai principali marchi principali.

# VEVOR®

TOUGH TOOLS, HALF PRICE

## Brunitura Macchina lucidatrice

MODELLO: S1P-HJ2209-120H



**HAI BISOGNO DI AIUTO? CONTATTACI!**

Hai domande sui prodotti? Hai bisogno di supporto tecnico? Non esitare a contattarci:

**Supporto tecnico e certificato di garanzia  
elettronica [www.vevor.com/support](http://www.vevor.com/support)**

Questa è l'istruzione originale, si prega di leggere attentamente tutte le istruzioni del manuale prima di utilizzare. VEVOR si riserva una chiara interpretazione del nostro manuale utente. L'aspetto del prodotto sarà soggetto al prodotto ricevuto. Vi preghiamo di perdonarci se non vi informeremo di nuovo se ci sono aggiornamenti tecnologici o software sul nostro prodotto.

# ISTRUZIONI

## Prefazione

Innanzitutto, esprimiamo i nostri più sentiti ringraziamenti ai nostri clienti che hanno acquistato la nostra attrezzatura. Questo manuale è per il servizio clienti per migliorare Scritto con questa attrezzatura. Spero che i prodotti e i servizi dell'azienda portino per cortesia, il canale.

## Promemoria importante

Per la tua sicurezza, prima di montare e utilizzare tali prodotti, devi prima leggere questo manuale per chiarire il funzionamento unico, l'applicazione e le possibili problemi di questa apparecchiatura.

Questo manuale è coerente con la data di fabbricazione della macchina, trovare informazioni sui dati tecnici della macchina acquisita manualmente verifica per aggiornamenti delle nostre macchine sul sito di assistenza post-vendita o sul sito Web correlato.

## Questa lucidatrice è progettata per:

- Uso commerciale nell'industria e nell'artigianato.
- Lavorazioni superficiali come ad esempio lucidatura, strutturazione, lucidatura, spazzolatura, levigatura, rimozione di ruggine o sbavature da acciaio o acciaio inossidabile o materiali non metallici.
- Scegliere la mola adatta quando si trattano superfici in legno.

## Istruzioni specifiche di sicurezza

Tutte le avvertenze e le istruzioni di sicurezza contenute in queste istruzioni saranno lette e seguite. La mancata osservanza delle avvertenze e delle istruzioni di sicurezza può causare scariche elettriche, incendi e/o gravi lesioni. Conservare queste istruzioni per un uso successivo.

**Tenere conto di tutte le avvertenze di sicurezza, istruzioni, immagini e dati consegnato con questa attrezzatura. Questo utensile elettrico sarà utilizzato esclusivamente seguendo le prescrizioni e secondo la sua finalità.**

Utilizzare esclusivamente accessori specificatamente approvati dal produttore per il loro utilizzo con questo utensile elettrico. La velocità di rotazione dell'utensile utilizzato sarà il valore indicato almeno sull'apparecchiatura elettronica. Le dimensioni esterne e lo spessore dell'utensile utilizzato corrisponderà alle misure indicate sulle apparecchiature elettroniche.

Il tamburo di macinazione e la copertura, o altri tipi di accessori, si adatteranno correttamente su il mandrino corrispondente dell'utensile elettrico.

**Non utilizzare accessori danneggiati.**

Controllare lo strumento di applicazione prima di ogni utilizzo per determinare se mostra distacchi o fessure e, nel caso di piastre di rettifica, la presenza di crepe o usura eccessiva. Se l'utensile elettrico o l'utensile applicativo cade a terra, controllare se sono danneggiati o utilizzare direttamente uno strumento non danneggiato. Una volta che il lo strumento di applicazione è stato controllato ed è in posizione, mantieni te stesso e gli altri fuori dal piano di rotazione, lasciando l'apparecchiatura in funzione per un minuto a velocità massima.

**Utilizzare dispositivi di protezione individuale.**

Utilizzare una protezione integrale per il viso e per gli occhi (occhiali protettivi) conformemente con le normative. Se necessario, utilizzare una maschera antipolvere, protezioni per le orecchie (cuffie), guanti protettivi, calzature speciali o un grembiule che tenga lontane le piccole particelle causate allontanandosi dal corpo.

**Assicurarsi che le altre persone nelle vicinanze si trovino al di fuori dell'area di lavoro.**

Chiunque acceda all'area di lavoro deve essere dotato di adeguata protezione attrezzatura.

Non lasciare l'utensile elettrico in funzione mentre lo si sposta da un luogo all'altro.

Pulire regolarmente le fessure di ventilazione dell'utensile elettrico.

Non utilizzare l'utensile elettrico in prossimità di sostanze infiammabili.

Non utilizzare utensili applicativi che richiedono refrigeranti liquidi.

### **Movimento all'indietro e relative misure di sicurezza**

Il gioco è una reazione improvvisa a uno strumento di lavorazione inceppato o bloccato, come un piastra di macinazione, una spazzola rotante, ecc. L'inceppamento o il blocco causerà la rotazione utensile di elaborazione si arresti improvvisamente. Ciò provoca un'accelerazione incontrollata del apparecchiatura elettrica nel punto in cui si è bloccata, nel senso di rotazione opposto a quello dello strumento.

Il gioco è la conseguenza di un uso improprio o inadeguato dell'impianto elettrico.

strumento. Può essere evitato mediante misure preventive, come descritto di seguito.

Tenere saldamente l'utensile elettrico e posizionare il corpo e le braccia in una posizione che consenta per compensare i contraccolpi. Se esiste, utilizzare sempre la maniglia aggiuntiva in per avere un maggiore controllo in caso di contraccolpi o reazioni durante avviamento. L'operatore può controllare il gioco o le forze di reazione utilizzando il misure precauzionali appropriate.

### **Non avvicinare mai la mano all'utensile applicatore mentre è in rotazione.**

In caso di contraccolpo, l'utensile può spostarsi sulla mano.

### **Evitare che il corpo entri nell'area in cui si trovano le apparecchiature elettroniche alla fine si muove durante le reazioni.**

Un gioco spinge l'utensile elettrico nella direzione opposta al movimento di il disco abrasivo nel punto in cui si blocca.

### **Lavorare prestando particolare attenzione in prossimità di angoli, tubi taglienti, ecc.**

Evitare che l'utensile rimbalzi sul pezzo in lavorazione e si inceppi. La rotazione l'utensile di applicazione tende a incepparsi negli angoli, sui bordi taglienti o quando rimbalza pezzo in lavorazione. Ciò comporta una perdita di controllo o un contraccolpo.

### **Indicazioni di sicurezza particolari per la sgrossatura**

Utilizzare esclusivamente elementi di sgrossatura approvati per questo utensile elettrico con il suo corrispondente coperchio di protezione. Elementi di sgrossatura non omologati per questo impianto elettrico

lo strumento non può essere coperto adeguatamente e quindi non è sicuro.

Il coperchio di protezione verrà montato saldamente sull'utensile elettrico e regolato in tal modo si ottiene la massima sicurezza. Vale a dire, la porzione più piccola dell'agente di macinazione scoperto sarà rivolto verso l'operatore. Il coperchio di protezione ha la compito di proteggere l'operatore dal distacco del pezzo e da eventuali contatto con l'elemento macinante.

Gli elementi macinanti saranno utilizzati esclusivamente per gli scopi previsti.

Con questo utensile elettrico non si possono utilizzare dischi da troncatura o sgrossatura.

### **Altre indicazioni di sicurezza**

Tenere sempre l'utensile elettrico con entrambe le mani sulle superfici corrispondenti (carcasa motore e maniglia).

Tenere i pezzi più piccoli da lavorare per evitare la loro involontaria spostamento.

La tensione di rete dell'alimentazione e le indicazioni di tensione sulle le caratteristiche della piastra devono coincidere.

## **SIMBOLI UTILIZZATI**



**PERICOLO:** Indica un pericolo imminente. Nel caso di inosservanza si corre il rischio di morte o di lesioni molto gravi.



**ATTENZIONE:** indica una situazione potenzialmente pericolosa. La mancata osservanza comporta il rischio di lesioni o danni materiali.



Indossare protezioni acustiche



Indossare protezioni per gli occhi



Indossare protezioni respiratorie



Indossare protezioni per le mani



Leggi il manuale di istruzioni



Costruzione di classe II (doppio isolamento per una protezione aggiuntiva)

## Smaltimento corretto



Questo prodotto è soggetto alle disposizioni della Direttiva europea 2012/19/UE.

Il simbolo raffigurante un bidone della spazzatura barrato indica che il

prodotto richiede la raccolta differenziata dei rifiuti nell'Unione Europea. Questo

si applica al prodotto e a tutti gli accessori contrassegnati con questo simbolo. Prodotti

contrassegnati come tali non possono essere smaltiti con i normali rifiuti domestici, ma devono essere

portato in un punto di raccolta per il riciclaggio di apparecchiature elettriche ed elettroniche.

## Parametro tecnico

Nome del prodotto	Lucidatrice per lucidatura
Modello	Modello S1P-HJ2209-120H
Velocità di potenza	1300W
nominale	1100-3400 giri/min
Posizione della marcia	6
Dimensioni della ruota di lucidatura	γ 120x100mm
Tipo di spazzola per lucidatura	Spazzola in ottone

## Istruzioni di avvio

### Spiegazione illustrata

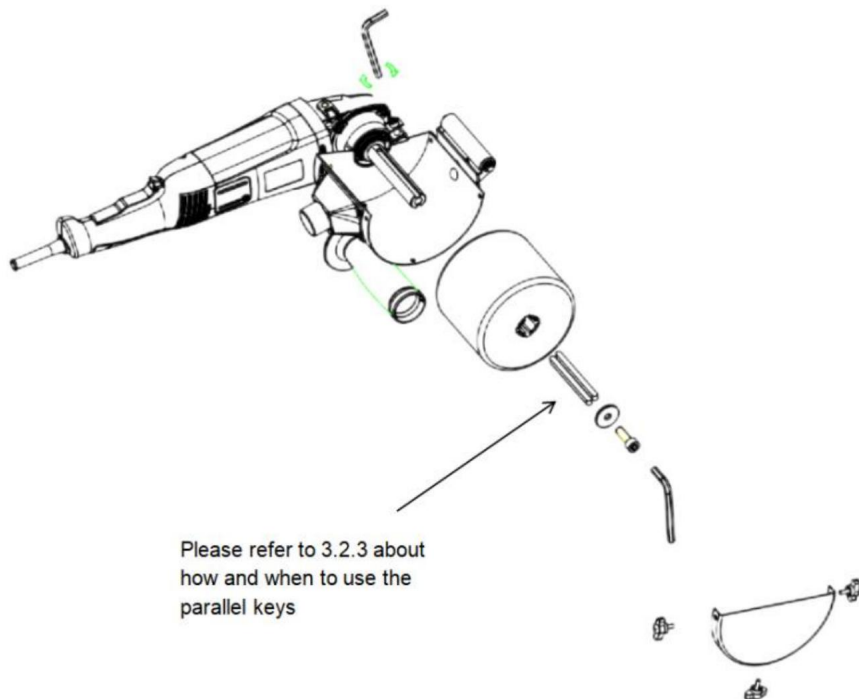
1. Cambia
2. Copertura della spazzola
3. Regolatore di velocità
4. Griglie di ventilazione 7.
5. Maniglia
6. Alloggiamento protettivo
- Disco/Tamburo/Ruota (opzionale)
8. Cavo
9. Testa dell'ingranaggio
10. Pulsante di blocco del mandrino

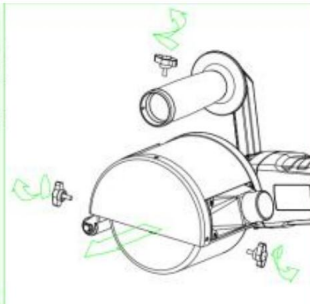
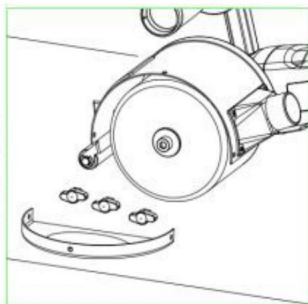
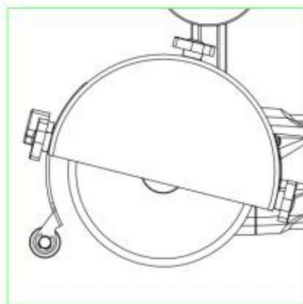
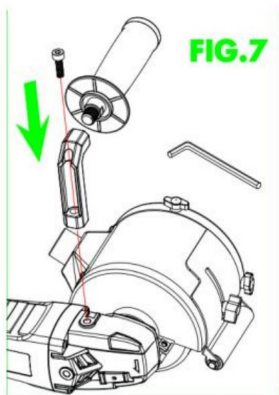
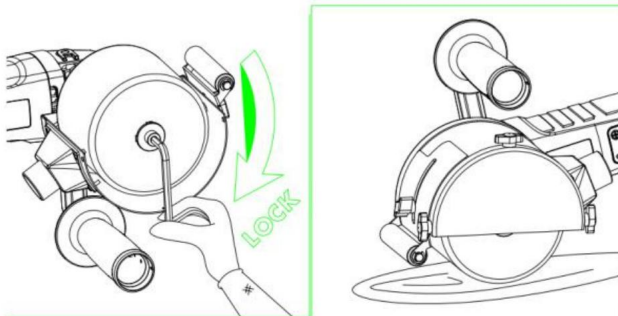
\* Gli accessori descritti ed illustrati non corrispondono a quelli di serie

materiale incluso. La gamma completa di accessori opzionali è dettagliata nel nostro

programma di accessori.

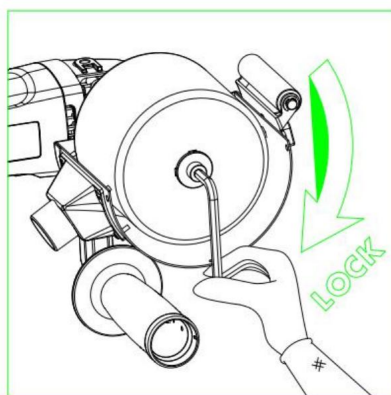
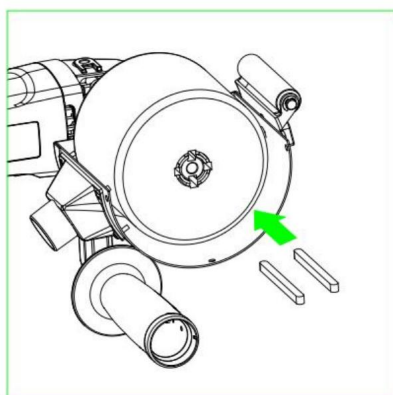
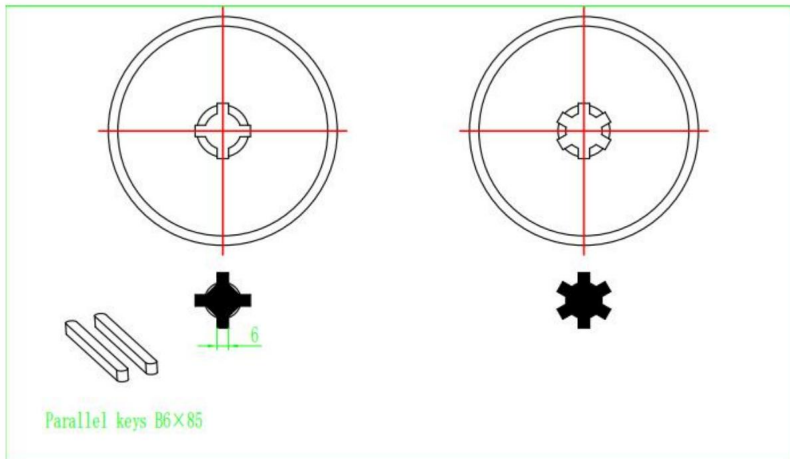
## Come montare e smontare



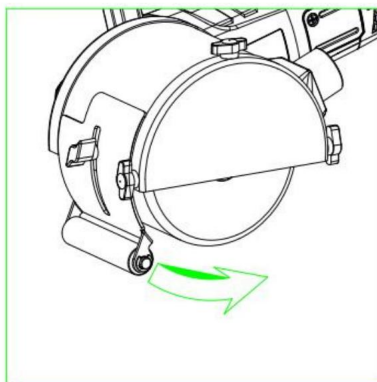
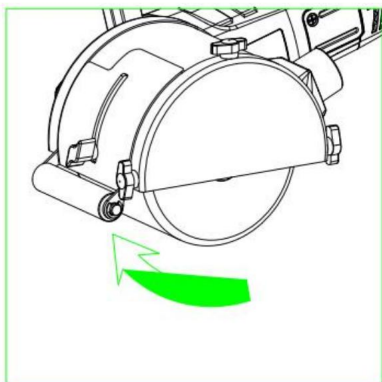


## Chiavi parallele:

La macchina è adatta a tamburi di diverse forme con diametro interno di 20 mm.  
Se la spazzola del tamburo è come quella qui sotto, utilizzare le due chiavi parallele per fissarla.



## Regolazione dell'altezza della protezione



# Istruzioni per l'uso

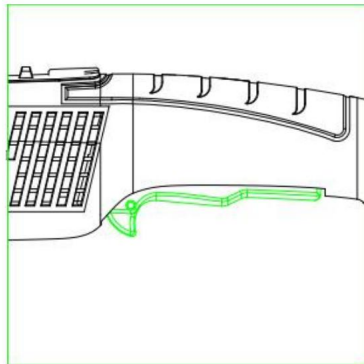
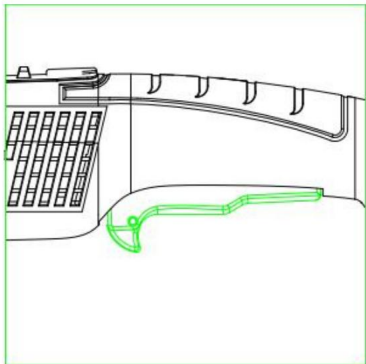
## 1. Avvio

Scollegare la spina di alimentazione prima di effettuare qualsiasi lavoro sull'impianto elettrico. attrezzatura.

Prima dell'avvio

Disimballare l'utensile elettrico e controllare che il volume consegnato sia completo e determinare se si sono verificati danni durante il trasporto.

-Premere l'interruttore e tenerlo premuto. -Se si desidera arrestare l'utensile, rilasciare l'interruttore.



Regolatore di velocità di rotazione

- Per regolare la velocità di lavoro, ruotare la rotella del regolatore di velocità fino al valore desiderato.

Tenere fermo l'utensile o il supporto

dell'utensile. - Scollegare la spina dall'alimentazione elettrica.

-Premere il pulsante di blocco del mandrino e tenerlo premuto.

-Allentare le viti con la chiave e rimuovere entrambi i dischi.

- Spostare l'utensile o il supporto corrispondente sul portautensile (posizione regolazione, chiave).

## 2. Cambio utensile

Ingranaggio

Non allentare le viti sulla testa del cambio durante il periodo di garanzia.

La non conformità comporterà la decadenza della garanzia del produttore.

### **3. Operazione di regolazione**

Regolazione della copertura di protezione

La lucidatrice verrà sempre utilizzata con il coperchio di protezione in posizione

- 1. Allentare la vite di regolazione del coperchio
- 2. Regolare la copertura di protezione in una posizione adatta all'attività da svolgere eseguito e nella posizione di lavoro corrispondente
- Regolare nuovamente la vite.
- Regola la profondità

### **4. Istruzioni per l'uso generale**

Una volta spento, l'utensile di rettifica continua a funzionare brevemente per inerzia.

Lavorazione di superfici piane

- Tenere l'utensile elettrico con entrambe le mani.
- Per una finitura decorativa della superficie: - Appoggiare con cura l'utensile elettrico sulla superficie da lavorare, eseguendo un movimento rettilineo in avanti e poi indietro.

## **Istruzioni per la manutenzione e la pulizia**

Scollegare la spina di alimentazione prima di effettuare qualsiasi lavoro sull'impianto elettrico. attrezzatura.

Pulizia

Durante la lavorazione dei metalli, all'interno dell'involucro potrebbe depositarsi polvere conduttrice.

Ciò potrebbe influire sull'isolamento di protezione!

Avviare la macchina tramite un interruttore differenziale (corrente massima di esercizio 30mA)

Pulire regolarmente l'apparecchiatura e le fessure di ventilazione. La frequenza della pulizia sarà dipendono dal materiale e dall'intensità dell'uso.

Pulire periodicamente la parte inferiore della carcassa e il motore con aria compressa asciutta. aria.

## **1. Servizio di riparazione**

Il servizio tecnico ti consiglierà su qualsiasi domanda tu possa avere in merito alle riparazioni e la manutenzione del tuo prodotto, ma anche sui pezzi di ricambio. Gli schemi per Lo smontaggio e le informazioni sui pezzi di ricambio sono disponibili presso il punto vendita di assistenza. Il nostro team di consulenti tecnici sarà lieto di guidarvi per quanto riguarda la acquisizione, applicazione e adattamento dei prodotti e degli accessori.

## **2. Garanzia**

Carta di garanzia

La scheda di garanzia può essere trovata tra i documenti allegati all'apparecchio elettrico. utensile. La scheda di garanzia deve essere compilata in ogni sua parte allegando ad essa copia del ricevuta di acquisto o fattura e consegnarla al rivenditore in cambio di un conferma di ricezione.

NOTA! Richiedi immediatamente questa carta al tuo rivenditore se risulta mancante.

La garanzia è limitata esclusivamente ai difetti di fabbricazione o di lavorazione e decade qualora i pezzi vengano smontati, manipolati o riparati al di fuori della fabbrica.

## **3. Eliminazione**

Si consiglia di sottoporre gli utensili elettrici, gli accessori e gli imballaggi a un processo di riciclo che rispetta l'ambiente.

Solo per i paesi UE:

Non gettare gli utensili elettrici tra i rifiuti!

In conformità alla direttiva europea 2002/96/CE sui rifiuti di apparecchiature elettriche ed elettroniche, apparecchiature elettroniche, dopo la loro trasposizione in legge nazionale, gli utensili elettrici saranno essere accumulati separatamente per essere sottoposti al riciclaggio ecologico.

Potrebbe aumentare significativamente il carico di oscillazione durante l'intero periodo. Il tempo durante il quale l'apparecchiatura è ferma o, in caso contrario, il tempo durante il quale è non realmente lavorato durante l'esercizio, verrà preso in considerazione anche determinare i carichi di vibrazione. Ciò può ridurre significativamente il carico di oscillazione durante l'intero periodo lavorativo.

Attuare misure di sicurezza aggiuntive per la protezione dell'operatore prima di determinare le oscillazioni, ad esempio: la manutenzione degli utensili elettrici e applicativi, il mantenimento delle mani calde, l'organizzazione della sequenza di lavoro.

**Produttore:** Shanghaimuxinmuyeyouxiangongsi

**Indirizzo:** Shuangchenglu 803nong11hao1602A-1609shi, baoshanqu, shanghai 200000 NC.

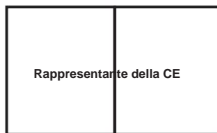
**Importato in AUS:** SIHAO PTY LTD. 1 ROKEVA STREETEASTWOOD NSW 2122 Australia

**Importato negli USA:** Sanven Technology Ltd. Suite 250, 9166 Anaheim Place, Rancho Cucamonga, CA 91730



CONSULENZA YH LIMITATA.

C/O YH Consulting Limited Ufficio 147,  
Casa del centurione, London Road,  
Staines-upon-Thames, Surrey, TW18 4AX



E-CrossStu GmbH

Mainzer Landstr.69, 60329 Francoforte sul Meno.



**VEVOR<sup>®</sup>**

**TOUGH TOOLS, HALF PRICE**

**Supporto tecnico e certificato di garanzia  
elettronica [www.vevor.com/support](http://www.vevor.com/support)**

# VEVOR<sup>®</sup>

## TOUGH TOOLS, HALF PRICE

Soporte técnico y certificado de garantía electrónica [www.vevor.com/support](http://www.vevor.com/support)

### Máquina pulidora de bruñido

MODELO: S1P-HJ2209-120H

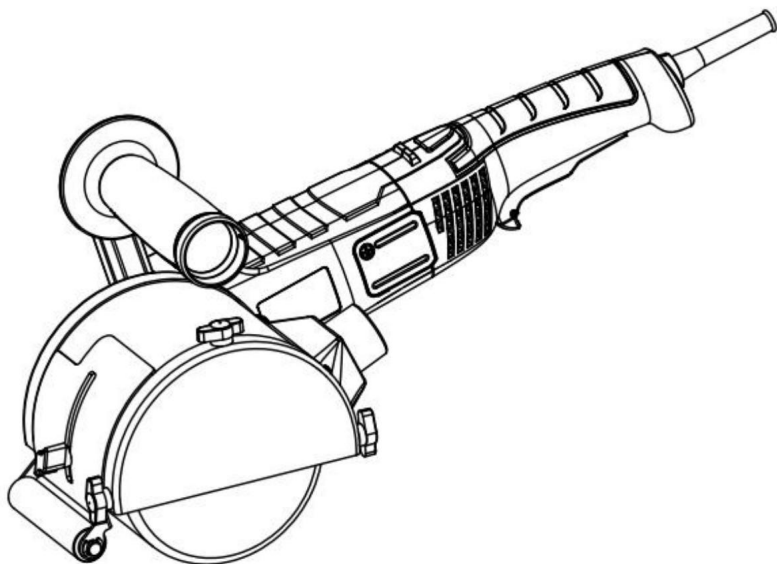
Seguimos comprometidos a brindarle herramientas a precios competitivos.

"Ahorre la mitad", "mitad de precio" o cualquier otra expresión similar que utilicemos solo representa una estimación del ahorro que podría obtener al comprar ciertas herramientas con nosotros en comparación con las principales marcas y no necesariamente significa que cubra todas las categorías de herramientas que ofrecemos. Le recordamos que, al realizar un pedido con nosotros, verifique cuidadosamente si realmente está ahorrando la mitad en comparación con las principales marcas.

**VEVOR**<sup>®</sup>  
TOUGH TOOLS, HALF PRICE

Bruñido  
Pulidor

MODELO:S1P-HJ2209-120H



¿NECESITAS AYUDA? ¡CONTÁCTANOS!

¿Tiene preguntas sobre el producto? ¿Necesita asistencia técnica? No dude en ponerse en contacto con nosotros:

Soporte técnico y certificado de garantía  
electrónica [www.vevor.com/support](http://www.vevor.com/support)

Estas son las instrucciones originales, lea atentamente todas las instrucciones del manual antes de utilizar el producto. VEVOR se reserva una interpretación clara de nuestro manual de usuario. La apariencia del producto estará sujeta al producto que recibió. Perdónenos por no informarle nuevamente si hay actualizaciones de tecnología o software en nuestro producto.

## INSTRUCCIONES

### Prefacio

En primer lugar, queremos expresar nuestro más sincero agradecimiento a nuestros clientes que han...  
Adquirimos nuestro equipo Este manual es para el servicio al cliente para hacer un mejor servicio.  
Escrito con este equipo. Esperamos que los productos y servicios de la empresa brinden  
usted el canal de cortesía.

### Recordatorio importante

Por su propia seguridad, antes de ensamblar y utilizar dichos productos, primero debe  
Lea este manual para aclarar el funcionamiento único, la aplicación y las posibles  
Problemas de este equipo.

Este manual es coherente con la fecha de fabricación de su máquina, usted  
encontrar información sobre los datos técnicos de la máquina adquirida comprobar manual para  
actualizaciones de nuestras máquinas en el sitio de servicio posventa o en el sitio web relacionado.

### Esta pulidora está diseñada para:

- Uso comercial en industrias y comercios.
- Tratamiento de superficies como, por ejemplo, bruñido, estructurado, pulido,  
Cepillar, alisar, eliminar óxido o rebabas del acero o acero inoxidable o  
materiales no metálicos.
- Elija la rueda adecuada al tratar superficies de madera.

### Instrucciones de seguridad específicas

Se leerán todas las advertencias e instrucciones de seguridad incluidas en estas instrucciones.  
y se siguen. El incumplimiento de las advertencias e instrucciones de seguridad puede  
provocar descargas eléctricas, incendios y/o lesiones graves. Conserve estas instrucciones  
para uso posterior.

Tenga en cuenta todas las advertencias de seguridad, instrucciones, imágenes y datos.

entregado con este equipo. Esta herramienta eléctrica se utilizará exclusivamente siguiendo las prescripciones y según su finalidad.

Utilice exclusivamente accesorios específicamente aprobados por el fabricante para su uso.

Utilice esta herramienta eléctrica. La velocidad de rotación de la herramienta utilizada será el valor indicado en el equipo electrónico como mínimo. Las dimensiones externas y el espesor de la herramienta utilizada corresponderá a las medidas indicadas en el equipo electrónico.

El tambor de molienda y la cubierta, u otros tipos de accesorios, encajarán correctamente en el husillo correspondiente de la herramienta eléctrica.

No utilice accesorios dañados.

Revise la herramienta de aplicación antes de cada uso para determinar si muestra desprendimientos o fisuras y, en el caso de placas de molienda, la presencia de fisuras o desgaste excesivo. Si la herramienta eléctrica o la herramienta de aplicación se cae al suelo, Verifique si están dañados o utilice directamente una herramienta que no esté dañada. Una vez que la herramienta de aplicación ha sido revisada y se encuentra en posición, manténgase a usted y a los demás a salvo. fuera del plano de rotación, dejando el equipo funcionando durante un minuto a velocidad máxima.

Utilice equipo de protección personal.

Utilice protección facial integral y protección ocular (gafas protectoras) de acuerdo con la normativa vigente. En caso necesario, utilice mascarilla antipolvo, protección auditiva (auriculares), guantes protectores, calzado especial o un delantal que impida el paso de pequeñas partículas. alejándose de su cuerpo.

Asegúrese de que las demás personas cercanas estén fuera de su área de trabajo.

Cualquier persona que acceda al área de trabajo debe contar con la protección adecuada. equipo.

No deje la herramienta eléctrica en funcionamiento mientras la traslada de un lugar a otro.

Limpie periódicamente las ranuras de ventilación de la herramienta eléctrica.

No utilice la herramienta eléctrica cerca de sustancias inflamables.

No utilice herramientas de aplicación que requieran refrigerantes líquidos.

Movimiento hacia atrás y medidas de seguridad correspondientes

El contragolpe es una reacción repentina a una herramienta de procesamiento atascada o bloqueada, como una placa de molienda, un cepillo giratorio, etc. El atasco de bloqueo provocará que el cepillo giratorio

La herramienta de procesamiento se detiene de repente, lo que provoca una aceleración incontrolada de la equipo eléctrico en el punto en que se bloqueó, en el sentido de rotación opuesto a la de la herramienta.

Un contragolpe es la consecuencia de un uso indebido o inadecuado del sistema eléctrico.

herramienta. Esto se puede evitar mediante las medidas preventivas que se describen a continuación.

Sujete firmemente la herramienta eléctrica y coloque el cuerpo y los brazos en una posición que le permita para compensar los contragolpes. Si los hubiera, utilice siempre el mango adicional en para tener un mayor control en caso de contragolpes o reacciones durante puesta en marcha. El operador puede controlar el juego o las fuerzas de reacción mediante el uso de medidas de precaución adecuadas

Nunca acerque la mano a la herramienta de aplicación mientras esté girando.

La herramienta puede moverse hacia su mano en caso de que se produzca un contragolpe.

Evite que su cuerpo entre en el área donde se encuentran los equipos electrónicos.

Finalmente se mueve durante los contragolpes.

Un contragolpe empuja la herramienta eléctrica en la dirección opuesta al movimiento de el disco de molienda en el punto donde se bloquea.

Trabaje con especial cuidado cerca de esquinas, tubos afilados, etc.

Evite que la herramienta rebote en la pieza que se está procesando y se atasque.

La herramienta de aplicación tiende a atascarse en las esquinas, bordes afilados o al rebotar. pieza que se está procesando. Esto provoca una pérdida de control o un contragolpe.

Indicaciones especiales de seguridad para el desbaste

Utilice exclusivamente elementos de desbaste aprobados para esta herramienta eléctrica con su

Tapa de protección correspondiente. Elementos de desbaste no homologados para este equipo eléctrico.

La herramienta no se puede cubrir adecuadamente y por lo tanto no es segura.

La cubierta protectora se montará firmemente en la herramienta eléctrica y se ajustará en

De esta manera se consigue la máxima seguridad, es decir, la menor parte de la

El agente de molienda descubierto estará frente al operador. La cubierta protectora tiene la

tarea de proteger al operador contra el desprendimiento de la broca y contra cualquier eventual

contacto con el elemento de molienda.

Los elementos de molienda se utilizarán exclusivamente para sus usos previstos.

En esta herramienta eléctrica no se utilizan discos de desbaste ni de troquelado.

Otras indicaciones de seguridad

Sujete siempre la herramienta eléctrica con ambas manos sobre las superficies correspondientes.

(carcasa del motor y manija).

Sujetar piezas más pequeñas para ser procesadas con el fin de evitar su separación involuntaria.

desplazamiento.

La tensión de la red de alimentación y las indicaciones de tensión en la

Las características de la placa deben coincidir.

## SIMBOLOS UTILIZADOS



**PELIGRO:** Esto indica un peligro inminente. En el caso de

En caso de incumplimiento correrá el riesgo de sufrir lesiones muy graves o la muerte.



**PRECAUCIÓN:** Esto indica una situación que posiblemente sea peligrosa.

El incumplimiento implica riesgo de lesiones o daños materiales.



Use protección auditiva



Use protección para los ojos



Use protección respiratoria



Use protección para las manos



Lea el manual de instrucciones



Construcción de clase II (doble aislamiento para protección adicional)

## Eliminación correcta



Este producto está sujeto a las disposiciones de la Directiva europea 2012/19/UE.

El símbolo que muestra un contenedor de basura tachado indica que el

Este producto requiere la recogida selectiva de residuos en la Unión Europea.

se aplica al producto y a todos los accesorios marcados con este símbolo. Productos marcados como tales no pueden desecharse con la basura doméstica normal, sino que deben llevarse a un punto de recogida para reciclar aparatos eléctricos y electrónicos.

## Parámetros técnicos

Nombre del producto	Máquina pulidora de bruñido
Modelo	S1P-HJ2209-120H
Velocidad de potencia nominal	1300 W 1100-3400 rpm
Posición de marcha	6
Tamaño de la rueda de pulido	120×100 mm
Tipo de cepillo de pulido	Cepillo de latón

## Instrucciones de puesta en marcha

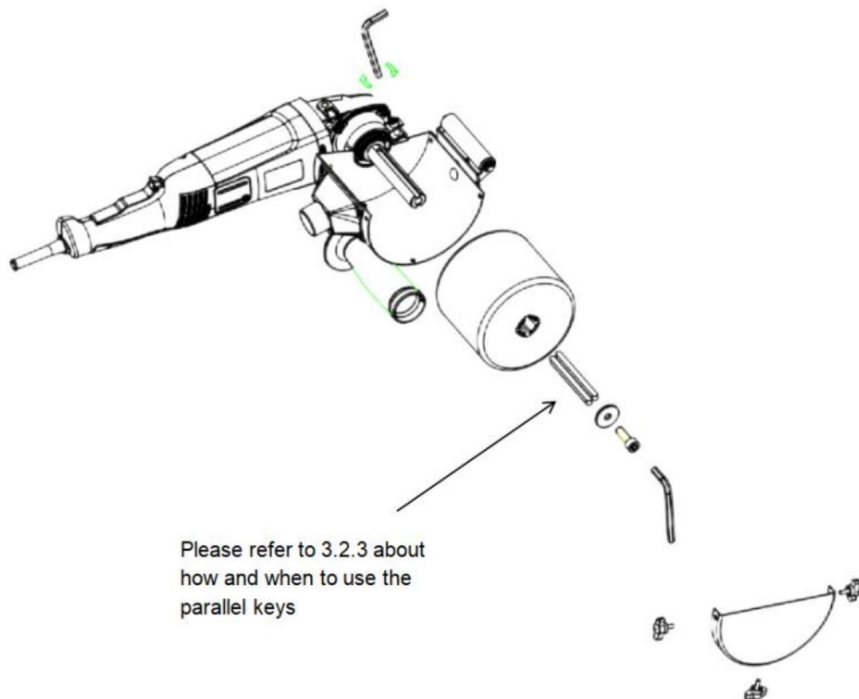
## Explicación ilustrada

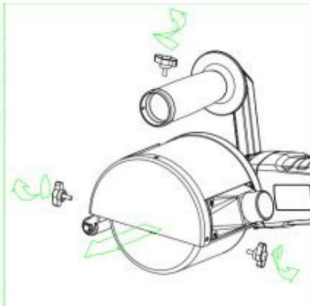
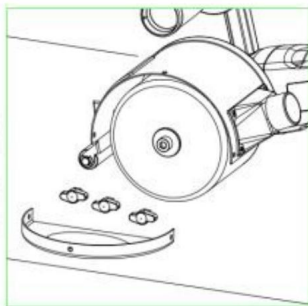
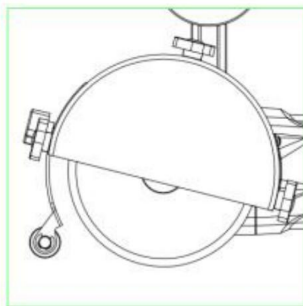
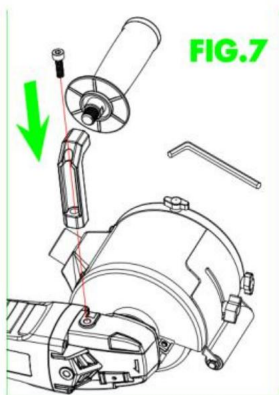
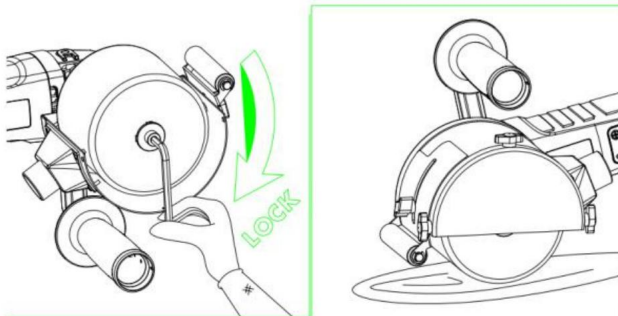
1. Cambiar
2. Tapa del cepillo
3. Controlador de velocidad
4. Rejillas de ventilación
5. Manejar
6. Carcasa protectora
7. Disco/tambor/rueda (opcional)
8. Cable
9. Cabezal de engranaje
10. Botón de bloqueo del eje

\* Los accesorios descritos e ilustrados no corresponden al número de serie.

Material incluido. La gama completa de accesorios opcionales se detalla en nuestra Programa de accesorios.

## Cómo montar y desmontar

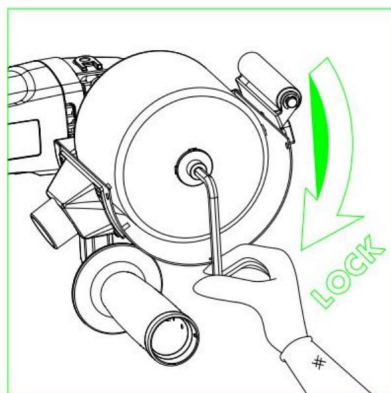
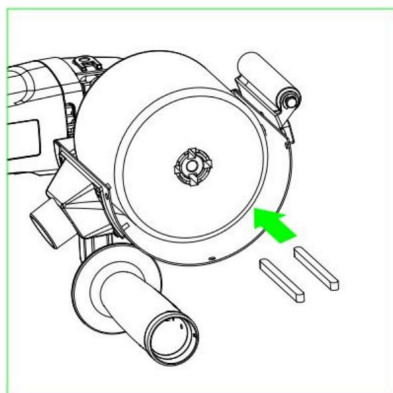
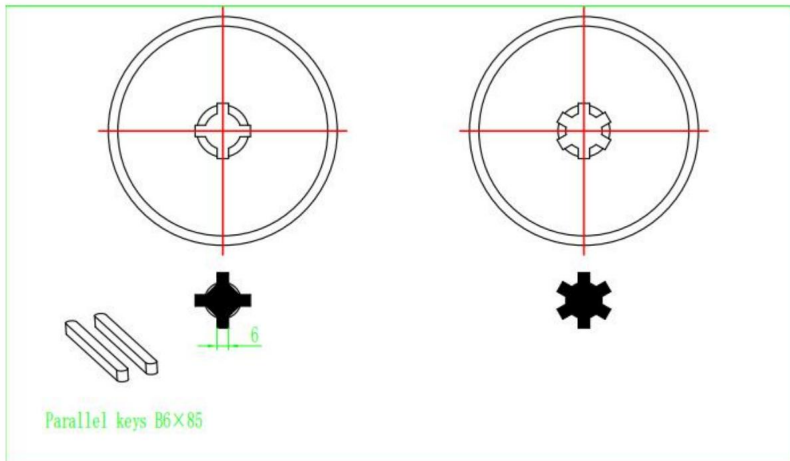




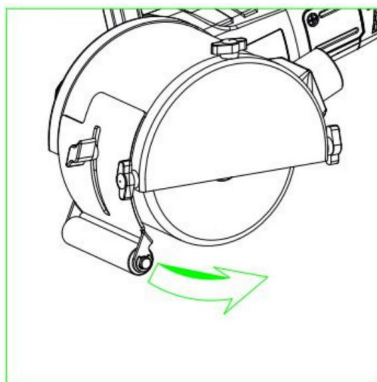
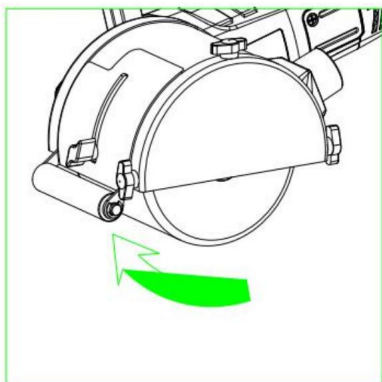
## Claves paralelas:

La máquina es adecuada para tambores de diferentes formas con un diámetro interior de 20 mm.

Cuando el cepillo del tambor sea como los que se muestran a continuación, utilice las dos llaves paralelas para arreglarlo.



## Ajuste de altura de la protección



## Instrucciones de funcionamiento

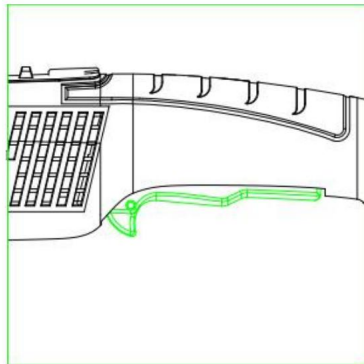
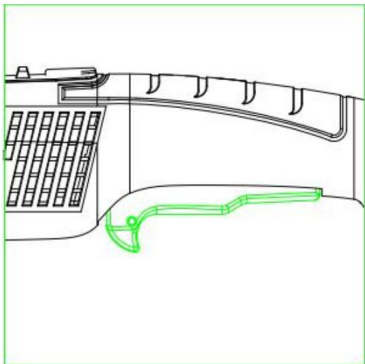
### 1. Puesta en marcha

Desconecte el enchufe de alimentación antes de realizar cualquier trabajo en el sistema eléctrico.  
equipo.

Antes de la puesta en marcha

Desembale la herramienta eléctrica y verifique que el volumen entregado esté completo y determinar si ocurrió algún daño durante su transporte.

- Presione el interruptor manteniéndolo presionado.
- Si desea detener la herramienta, suelte el interruptor.



Controlador de velocidad de rotación

-Para ajustar la velocidad de trabajo, gire la rueda del controlador de velocidad al valor requerido.

Sujete la herramienta o el soporte de la

misma -Desconecte el enchufe de la fuente de alimentación.

-Presione el botón de bloqueo del husillo y manténgalo presionado.

-Afloje los tornillos con la llave y retire ambos discos.

- Mover la herramienta o el soporte correspondiente sobre el portaherramientas (posición ajuste, clave).

### 2. Cambio de herramienta

Engranaje

No afloje los tornillos del cabezal del engranaje durante el período de garantía.

El incumplimiento dará lugar a la caducidad de la garantía del fabricante.

### 3. Operación de ajuste

#### Ajuste de la cubierta protectora

La bruñidora se utilizará siempre con la tapa protectora colocada.

- 1. Afloje el tornillo de ajuste de la tapa.
- 2. Ajuste la cubierta de protección en una posición que sea apropiada para la tarea a realizar.  
realizado y en el puesto de trabajo correspondiente
- Ajuste el tornillo una vez más.
- Ajustar la profundidad

### 4. Instrucciones generales de uso

Una vez apagado, la herramienta de afilado continúa trabajando brevemente debido a la inercia.

#### Procesamiento de superficies planas

- Sujete la herramienta eléctrica con ambas manos.
- Para un acabado decorativo de la superficie: - Apoye  
con cuidado la herramienta eléctrica sobre la superficie a procesar, realizando un  
movimiento en línea recta hacia adelante y luego hacia atrás.

## Instrucciones de mantenimiento y limpieza

Desconecte el enchufe de alimentación antes de realizar cualquier trabajo en el sistema eléctrico.  
equipo.

### Limpieza

Al procesar metales, puede depositarse polvo conductor en el interior de la carcasa.

¡Esto puede tener una influencia en el aislamiento de protección!

Ponga en marcha la máquina mediante un disyuntor diferencial (corriente máxima de funcionamiento  
30 mA)

Limpie periódicamente el equipo y las ranuras de ventilación. La frecuencia de limpieza será

Depende del material y de la intensidad de uso.

Limpie periódicamente la parte inferior de la carcasa y el motor con agua comprimida seca.  
aire.

### 1. Servicio de reparación

El servicio técnico le asesorará sobre cualquier duda que tenga respecto a las reparaciones y mantenimiento de su producto, así como de repuestos. Los diagramas de El desmontaje y la información sobre piezas de repuesto están disponibles en el taller. Nuestro equipo de asesores técnicos estará encantado de orientarle respecto a la Adquisición, aplicación y ajuste de los productos y accesorios.

### 2. Garantía

#### Tarjeta de garantía

La tarjeta de garantía la puede encontrar entre los documentos incluidos con el aparato eléctrico. herramienta. La tarjeta de garantía deberá ser completada en su totalidad adjuntando a la misma una copia de la recibo o factura de compra y entregárselo al minorista a cambio de un acuse de recibo.

¡NOTA! Solicite esta tarjeta inmediatamente a su distribuidor si no la tiene.

La garantía se limita exclusivamente a defectos de fabricación o mecanizado, expirando siempre que las piezas sean desmontadas, manipuladas o reparadas fuera del fábrica.

### 3. Eliminación

Recomendamos que las herramientas eléctricas, accesorios y embalajes sean sometidos a un Proceso de reciclaje respetuoso con el medio ambiente.

Sólo para países de la UE:

¡No tire herramientas eléctricas a la basura!

De conformidad con la Directiva Europea 2002/96/CE sobre residuos de aparatos eléctricos y electrónicos equipos electrónicos, tras su transposición a una ley nacional, las herramientas eléctricas acumularse separadamente para ser sometidos a un reciclaje ecológico.

Podría aumentar significativamente la carga de oscilación durante todo el período. El tiempo durante el cual el equipo se encuentra parado o, en su defecto, el tiempo durante el cual ha No trabajado realmente mientras estaba en funcionamiento, también se tendrá en cuenta. Determinar las cargas de vibración. Esto puede reducir significativamente la carga de oscilación durante todo el período de trabajo.

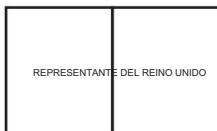
Implementar medidas de seguridad adicionales para la protección del operador antes de determinar las oscilaciones, por ejemplo: el mantenimiento de herramientas eléctricas y de aplicación, mantener las manos calientes, organización de la secuencia de trabajo.

Fabricante: Shanghaimuxinmuyeyouxiangongsi

Dirección: Shuangchenglu 803nong11hao1602A-1609shi, baoshanqu, shanghai  
200000 MN.

Importado a Australia: SIHAO PTY LTD. 1 ROKEVA STREETEASTWOOD NSW 2122  
Australia

Importado a EE. UU.: Sanven Technology Ltd. Suite 250, 9166 Anaheim Place, Rancho Cucamonga,  
CA 91730

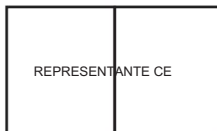


YH CONSULTING LIMITADA.

C/O YH Consulting Limited Oficina 147,

Casa Centurión, London Road,

Staines-upon-Thames, Surrey, TW18 4AX



E-CrossStu GmbH

Mainzer Landstr.69, 60329 Fráncfort del Meno.



**VEVOR<sup>®</sup>**

**TOUGH TOOLS, HALF PRICE**

Soporte técnico y certificado de garantía  
electrónica [www.vevor.com/support](http://www.vevor.com/support)

# VEVOR<sup>®</sup>

## TOUGH TOOLS, HALF PRICE

Wsparcie techniczne i certyfikat gwarancji elektronicznej [www.vevor.com/support](http://www.vevor.com/support)

### Maszyna do polerowania i polerowania

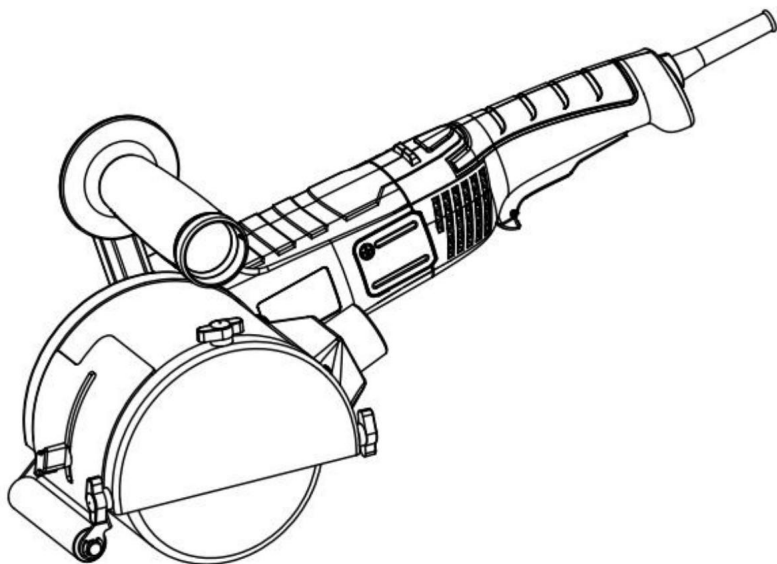
MODEL: S1P-HJ2209-120H

Nadal staramy się oferować Państwu narzędzia w konkurencyjnych cenach. „Oszczędź połowę”, „Połowa ceny” lub inne podobne wyrażenia używane przez nas stanowią jedynie szacunkowe oszczędności, jakie możesz uzyskać, kupując u nas określone narzędzia w porównaniu z głównymi markami i niekoniecznie oznaczają one objęcie wszystkich kategorii narzędzi oferowanych przez nas. Uprzejmie przypominamy, aby dokładnie sprawdzić, czy składając u nas zamówienie faktycznie oszczędzasz połowę w porównaniu z głównymi markami.

**VEVOR**<sup>®</sup>  
TOUGH TOOLS, HALF PRICE

Polerowanie  
Maszyna polerująca

MODEL:S1P-HJ2209-120H



POTRZEBUJESZ POMOCY? SKONTAKTUJ SIĘ Z NAMI!

Masz pytania dotyczące produktu? Potrzebujesz wsparcia technicznego? Skontaktuj się z nami:

Wsparcie techniczne i certyfikat gwarancji  
elektronicznej [www.vevor.com/support](http://www.vevor.com/support)

To jest oryginalna instrukcja, przed użyciem należy uważnie przeczytać wszystkie instrukcje. VEVOR zastrzega sobie jasną interpretację naszej instrukcji obsługi. Wygląd produktu będzie zależał od produktu, który otrzymałeś. Prosimy o wybaczenie, że nie poinformujemy Cię ponownie, jeśli w naszym produkcie pojawią się jakiegokolwiek aktualizacje technologiczne lub oprogramowania.

## INSTRUKCJE

### Przedmowa

Przed wszystkim chcielibyśmy wyrazić nasze najszczerze podziękowania naszym klientom, którzy zakupili nasz sprzęt. Niniejsza instrukcja jest przeznaczona dla obsługi klienta w celu lepszego dostosowania Napisane przy użyciu tego sprzętu. Mamy nadzieję, że produkty i usługi firmy przyniosą ty kanał uprzejmość.

### Ważne przypomnienie

Ze względów bezpieczeństwa przed montażem i użytkowaniem takich produktów należy najpierw: przeczytaj tę instrukcję, aby uzyskać szczegółowe informacje na temat unikalnej obsługi, zastosowania i możliwych problemy tego sprzętu.

Niniejsza instrukcja jest zgodna z datą produkcji Twojej maszyny, znajdź informacje o danych technicznych maszyny nabytej sprawdź ręcznie Aktualizacje naszych maszyn w serwisie posprzedażowym lub na powiązanej stronie internetowej.

### Ta polerka jest przeznaczona do:

- Zastosowanie komercyjne w przemyśle i rzemiośle.
- Obróbka powierzchni, np. polerowanie, nadawanie struktury, szcrotkowanie, wygładzanie, usuwanie rdzy lub zadziórów ze stali lub stali nierdzewnej lub materiały niemetalowe.
- Wybierz odpowiednią tarczę do obróbki powierzchni drewnianych.

### Szczegółowe instrukcje bezpieczeństwa

Należy przeczytać wszystkie ostrzeżenia i instrukcje dotyczące bezpieczeństwa zawarte w niniejszej instrukcji. i przestrzegane. Nieprzestrzeganie ostrzeżeń i instrukcji bezpieczeństwa może spowodować wyładowania elektryczne, pożar i/lub poważne obrażenia. Zachowaj te instrukcje

do późniejszego wykorzystania.

Należy wziąć pod uwagę wszystkie ostrzeżenia dotyczące bezpieczeństwa, instrukcje, zdjęcia i dane przekazane wraz z tym sprzętem. To narzędzie elektryczne będzie używane wyłącznie zgodnie z zaleceniami i przeznaczeniem.

Należy używać wyłącznie akcesoriów specjalnie zatwierdzonych przez producenta. używać z tym narzędziem elektrycznym. Prędkość obrotowa używanego narzędzia będzie wartością wskazane co najmniej na sprzęcie elektronicznym. Wymiary zewnętrzne a grubość użytego narzędzia będzie odpowiadać wskazanym wymiarom na sprzęcie elektronicznym.

Bęben szlifierski i osłona lub inne rodzaje akcesoriów będą prawidłowo pasować do odpowiedniego wrzeciono narzędzia elektrycznego.

Nie używaj uszkodzonych akcesoriów.

Przed każdym użyciem należy sprawdzić narzędzie aplikacyjne, aby upewnić się, czy jest widoczne. odwarstwień lub pęknięć, a w przypadku płyt szlifierskich obecności pęknięcia lub nadmierne zużycie. Jeśli elektronarzędzie lub narzędzie aplikacyjne spadnie na podłogę, sprawdź, czy nie są uszkodzone lub użyj bezpośrednio nieuszkodzonego narzędzia. Po narzędzie aplikacyjne zostało sprawdzone i jest na swoim miejscu, zachowaj siebie i innych poza płaszczyznę obrotu, pozostawiając sprzęt włączony przez jedną minutę maksymalna prędkość.

Stosuj środki ochrony osobistej.

Stosować integralną ochronę twarzy i oczu (okulary ochronne) zgodnie z przepisami. W razie konieczności należy używać maski przeciwpyłowej, ochrony słuchu (słuchawek), rękawic ochronnych, specjalnego obuwia lub fartucha, który zatrzymuje drobne cząsteczki poprzez odsuwanie się od ciała.

Upewnij się, że inne osoby znajdują się w pobliżu, poza obszarem roboczym.

Każda osoba uzyskująca dostęp do obszaru roboczego musi mieć zapewnioną odpowiednią ochronę. sprzęt.

Nie pozostawiaj włączonego elektronarzędzia podczas przenoszenia go z jednego miejsca na drugie.

Regularnie czyść szczeliny wentylacyjne elektronarzędzia.

Nie używaj elektronarzędzi w pobliżu substancji łatwopalnych.

Nie należy używać narzędzi wymagających chłodzenia cieczą.

Ruch wsteczny i odpowiednie środki bezpieczeństwa

Reakcja zwrotna to nagła reakcja na zablokowanie lub zacięcie się narzędzia przetwarzającego, np. tarcza szlifierska, szczotka obrotowa itp. Zablokowanie spowoduje zablokowanie obracającej się tarczy. narzędzie do przetwarzania danych zatrzymuje się nagle. Powoduje to niekontrolowane przyspieszenie urządzenia elektryczne w momencie jego zablokowania, w kierunku przeciwnym do kierunku obrotu do narzędzia.

Luz zwrotny jest konsekwencją niewłaściwego lub nieodpowiedniego użycia urządzenia elektrycznego. narzędzie. Można tego uniknąć stosując środki zapobiegawcze opisane poniżej.

Trzymaj mocno elektronarzędzie i ustaw ciało i ramiona w pozycji umożliwiającej aby zrównoważyć luz. Jeśli istnieje, zawsze używaj dodatkowego uchwytu w aby mieć większą kontrolę w przypadku reakcji lub odrzutów podczas rozruch. Operator może kontrolować siły luzów lub reakcji za pomocą odpowiednie środki ostrożności.

Nigdy nie zbliżaj ręki do obracającego się narzędzia aplikacyjnego.

W przypadku wystąpienia luzu narzędzie można przesunąć na rękę.

Unikaj wchodzenia swoim ciałem w obszar, w którym znajduje się sprzęt elektroniczny. w końcu porusza się podczas reakcji.

Luz powoduje ruch narzędzia elektrycznego w kierunku przeciwnym do ruchu tarczę szlifierską w miejscu jej zablokowania.

Podczas pracy należy zachować szczególną ostrożność w pobliżu narożników, ostrych rur itp.

Unikaj odbijania się narzędzia od obrabianego przedmiotu i zacinania się. Obracający się narzędzie aplikacyjne ma tendencję do zacinania się na rogach, ostrych krawędziach lub podczas odbijania się od przetwarzany element. Prowadzi to do utraty kontroli lub reakcji.

Specjalne wskazówki bezpieczeństwa dotyczące obróbki zgrubnej

Do tego elektronarzędzia należy używać wyłącznie zatwierdzonych elementów zgrubnych. odpowiednia osłona ochronna. Elementy zgrubne nie są zatwierdzone do tego urządzenia elektrycznego

Narzędzie nie może być odpowiednio osłonięte, dlatego nie jest bezpieczne.

Osłona ochronna zostanie trwale zamontowana na narzędziu elektrycznym i wyregulowana w taki sposób osiąga się maksymalne bezpieczeństwo. To znaczy, najmniejsza część odstonięty środek szlifierski będzie skierowany w stronę operatora. Osłona ochronna ma zadaniem jest ochrona operatora przed odłączeniem się bitu i ewentualnymi uszkodzeniami kontakt z elementem szlifującym.

Elementy szlifierskie będą używane wyłącznie zgodnie z ich przeznaczeniem.

W tym elektronarzędziu nie należy stosować tarcz do odcinania lub obróbki zgrubnej.

Inne wskazówki dotyczące bezpieczeństwa

Zawsze trzymaj elektronarzędzie obiema rękami na odpowiednich powierzchniach (obudowa silnika i uchwyt).

Przytrzymaj mniejsze kawałki do przetworzenia, aby uniknąć ich mimowolnego przemieszczenie.

Napięcie sieci zasilającej i wskazania napięcia na dane na tabliczce znamionowej muszą się pokrywać.

## UŻYTE SYMBOLE



**NIEBEZPIECZEŃSTWO:** Oznacza to bezpośrednie zagrożenie. W przypadku w przypadku niezastosowania się do tych zaleceń istnieje ryzyko śmierci lub poważnych obrażeń.



**UWAGA:** Oznacza to sytuację, która może być niebezpieczna. Niedostosowanie się do tych zaleceń wiąże się z ryzykiem obrażeń ciała lub szkód materialnych.



Noś ochronę słuchu



Noś okulary ochronne



Noś ochronę dróg oddechowych



Noś ochronę rąk



Przeczytaj instrukcję obsługi



Konstrukcja klasy II (podwójna izolacja zapewniająca dodatkową ochronę)

## Prawidłowa utylizacja



Produkt ten podlega postanowieniom Dyrektywy Europejskiej 2012/19/UE.

Symbol przedstawiający przekreślony pojemnik na śmieci na kółkach oznacza, że

produkt wymaga oddzielnej zbiórki odpadów w Unii Europejskiej.

dotyczy produktu i wszystkich akcesoriów oznaczonych tym symbolem. Produkty

oznaczone jako takie nie mogą być wyrzucane razem ze zwykłymi odpadami domowymi, lecz muszą być

zabrane do punktu zbiórki sprzętu elektrycznego i elektronicznego w celu recyklingu.

## Parametry techniczne

Nazwa produktu	Maszyna do polerowania i polerowania
Model	S1P-HJ2209-120H
Prędkość znamionowa mocy	1300 W
Prędkość znamionowa	1100-3400 obr./min
Pozycja przekładni	6
Rozmiar koła polerskiego	120×100 mm
Typ szczotki polerskiej	Szczotka mosiężna

## Instrukcje uruchamiania

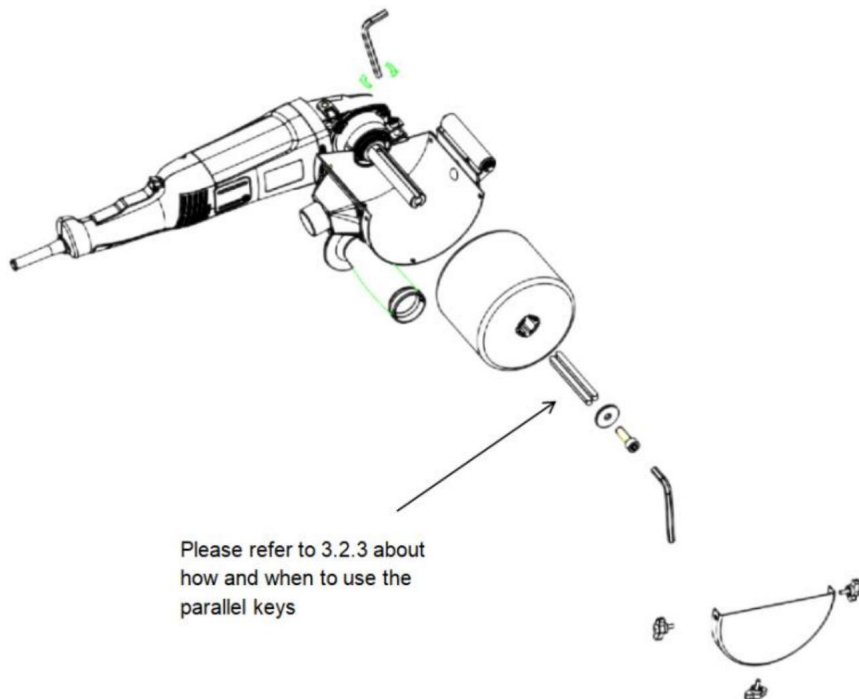
### Ilustrowane wyjaśnienie

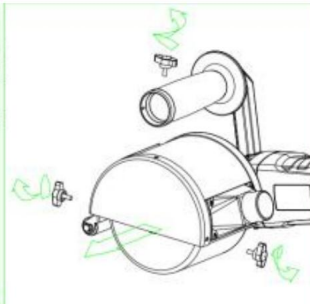
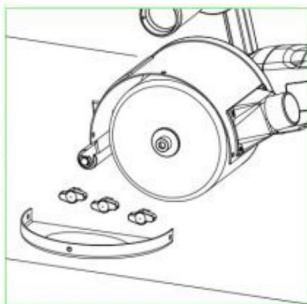
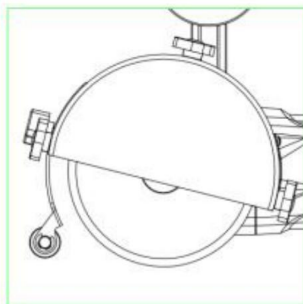
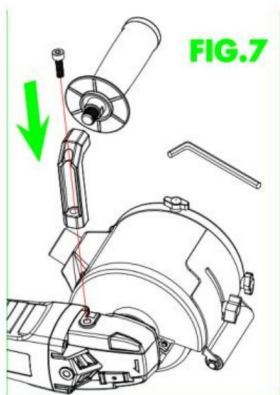
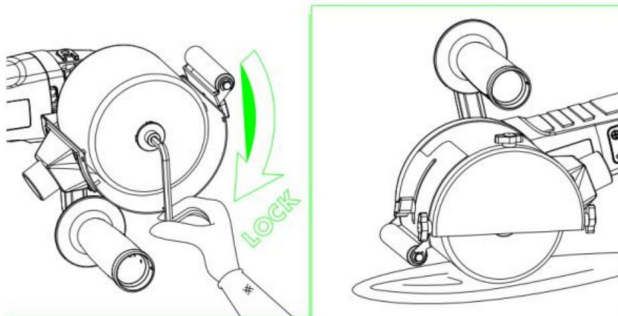
1. Przełącznik
2. Osłona szczotki
3. Regulator prędkości
4. Kratki wentylacyjne
7. Uchwyt
6. Obudowa ochronna
- Tarcza/bęben/koło (opcjonalnie)
8. Kabel
9. Głowica przekładni
10. Przycisk blokady wrzeciona

\* Opisane i zilustrowane akcesoria nie odpowiadają numerowi seryjnemu.

Pełen zakres opcjonalnych akcesoriów jest szczegółowo opisany w naszym programie dodatkowym.

## Jak złożyć i rozłożyć

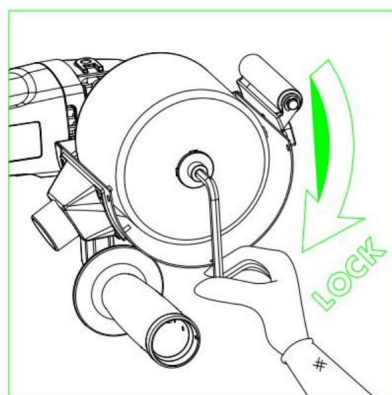
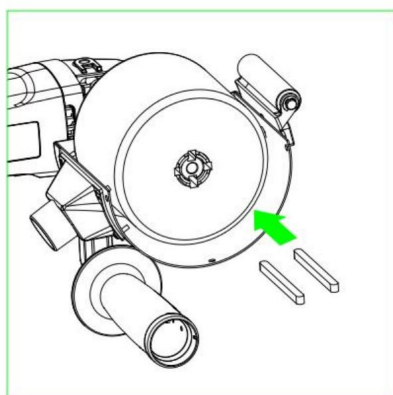
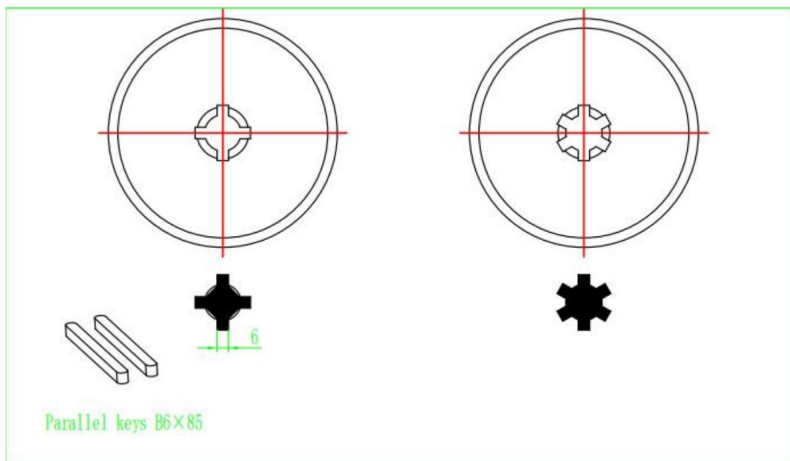




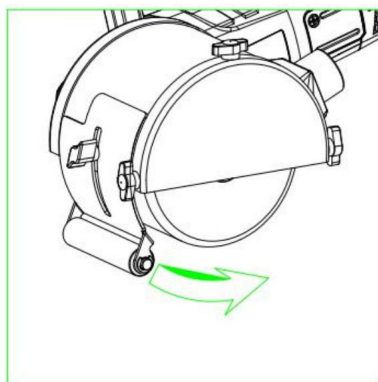
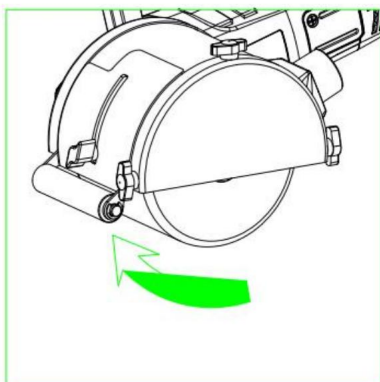
## Klucze równoległe:

Maszyna jest kompatybilna z bębniami o różnych kształtach i średnicy wewnętrznej 20 mm.

Jeżeli szczotka perkusyjna wygląda jak ta poniżej, należy ją naprawić za pomocą dwóch kluczy pasowanych.



## Regulacja wysokości osłony



# Instrukcja obsługi

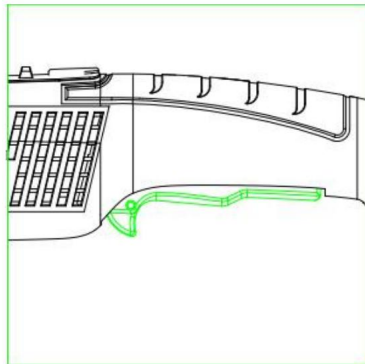
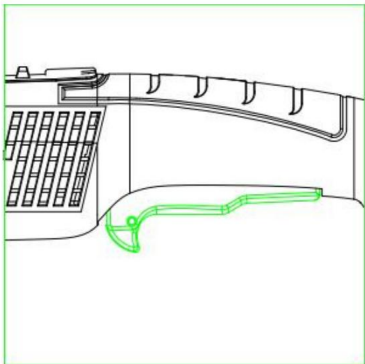
## 1. Uruchomienie

Przed przystąpieniem do jakichkolwiek prac przy instalacji elektrycznej należy odłączyć wtyczkę zasilającą sprzęt.

Przed uruchomieniem

Rozpakuj elektronarzędzie i sprawdź, czy przekazana objętość jest kompletna i ustal czy w czasie transportu nie doszło do żadnych uszkodzeń.

- Naciśnij i przytrzymaj przełącznik. - Jeśli chcesz zatrzymać narzędzie, zwolnij przełącznik.



## Regulator prędkości obrotowej

- Aby dostosować prędkość roboczą, należy ustawić pokrętko regulatora prędkości na żądaną wartość.

Przytrzymaj narzędzie lub jego

podpórkę. - Odłącz wtyczkę od źródła zasilania.

- Naciśnij przycisk blokujący wrzeciono i przytrzymaj go.

- Odkręć śruby kluczem i zdejmij obie tarcze.

- Przesuń narzędzie lub odpowiednią podpórę nad uchwyt narzędzia (pozycja (regulacja, klucz)).

## 2. Zmiana narzędzia

### Bieg

Nie wolno odkręcać śrub głowicy przekładni w okresie gwarancyjnym.

Niedopełnienie tego obowiązku spowoduje wygaśnięcie gwarancji producenta.

### 3. Operacja regulacji

#### Regulacja osłony ochronnej

Maszyna do polerowania będzie zawsze używana z założoną osłoną ochronną

-1. Odkręć śrubę regulacyjną pokrywy

-2. Ustaw osłonę ochronną w pozycji odpowiedniej do wykonywanego zadania.

wykonane i na odpowiednim stanowisku pracy

- Ponownie wyreguluj śrubę.

- Dostosuj głębokość

### 4. Ogólne instrukcje użytkownika

Po wyłączeniu narzędzie szlifierskie nadal pracuje przez chwilę ze względu na bezwładność.

Obróbka powierzchni płaskich

- Trzymaj elektronarzędzie obiema rękami.

- W celu dekoracyjnego wykończenia powierzchni: -

Ostrożnie ustaw elektronarzędzie na obrabianej powierzchni, wykonując następujące czynności:

ruch prostoliniowy do przodu i do tyłu.

## Instrukcje konserwacji i czyszczenia

Przed przystąpieniem do jakichkolwiek prac przy instalacji elektrycznej należy odłączyć wtyczkę zasilającą sprzęt.

### Czyszczenie

Podczas obróbki metali wewnątrz obudowy może gromadzić się pył przewodzący.

Może to mieć wpływ na izolację ochronną!

Uruchom maszynę za pomocą wyłącznika różnicowoprądowego (maksymalny prąd roboczy)

30 mA)

Regularnie czyść sprzęt i szczeliny wentylacyjne Częstotliwość czyszczenia będzie

zależą od materiału i intensywności użytkownika.

Okresowo czyścić dolną część obudowy i silnika suchym sprężonym powietrzem.

powietrze.

### 1. Usługa naprawy

Serwis techniczny udzieli Państwu porady w przypadku jakichkolwiek pytań dotyczących napraw i konserwację produktu, a także części zamiennych. Schematy dla

Informacje dotyczące demontażu i części zamiennych można uzyskać w punkcie serwisowym.

Nasz zespół doradców technicznych chętnie udzieli Państwu wskazówek dotyczących nabywanie, stosowanie i regulacja produktów i akcesoriów.

### 2. Gwarancja

Karta gwarancyjna

Kartę gwarancyjną można znaleźć wśród dokumentów dołączonych do urządzenia elektrycznego. narzędzie. Kartę gwarancyjną należy wypełnić w całości, dołączając do niej kopię paragon lub rachunek za zakup i wręczenie go sprzedawcy w zamian za potwierdzenie odbioru.

UWAGA! Jeśli brakuje tej karty, natychmiast poproś o nią swojego sprzedawcę.

Gwarancja obejmuje wyłącznie wady produkcyjne lub obróbki i wygasa w przypadku demontażu, obsługi lub naprawy części poza miejscem ich użytkowania. fabryka.

### 3. Eliminacja

Zalecamy, aby narzędzia elektryczne, akcesoria i opakowania były poddawane proces recyklingu, który nie narusza środowiska.

Tylko dla krajów UE:

Nie wyrzucaj narzędzi elektrycznych do śmieci!

Zgodnie z Dyrektywą Europejską 2002/96/WE w sprawie zużytego sprzętu elektrycznego i elektronicznego sprzęt elektroniczny, po jego transpozycji do prawa krajowego, narzędzia elektryczne będą być gromadzone oddzielnie w celu poddania ich recyklingowi ekologicznemu.

Może to znacznie zwiększyć obciążenie oscylacyjne w całym okresie. Czas w czasie którego urządzenie jest zatrzymane lub w innym przypadku czas, w którym jest nie działały w rzeczywistości podczas eksploatacji, będą również brane pod uwagę określić obciążenia wibracyjne. To może znacznie zmniejszyć obciążenie oscylacyjne przez cały okres pracy.

Przed podjęciem decyzji wprowadź dodatkowe środki bezpieczeństwa w celu ochrony operatora. drgania, np.: konserwacja narzędzi elektrycznych i roboczych, utrzymywanie rąk w ciepłe, organizacja kolejności prac.

Producent: Shanghaimuxinmuyeyouxiangongsi

Adres: Shuangchenglu 803nong11hao1602A-1609shi, baoshanqu, Szanghaj 200000 CN.

Importowane do AUS: SIHAO PTY LTD. 1 ROKEVA STREETEASTWOOD NSW 2122 Australia

Importowane do USA: Sanven Technology Ltd. Suite 250, 9166 Anaheim Place, Rancho Cucamonga, CA 91730



YH CONSULTING LIMITED.

C/O YH Consulting Limited Biuro 147,  
Dom Centuriona, London Road,  
Staines-upon-Thames, Surrey, TW18 4AX



E-CrossStu GmbH

Mainzer Landstr.69, 60329 Frankfurt nad Menem.



**VEVOR<sup>®</sup>**

**TOUGH TOOLS, HALF PRICE**

Wsparcie techniczne i certyfikat gwarancji  
elektronicznej [www.vevor.com/support](http://www.vevor.com/support)

# VEVOR®

## TOUGH TOOLS, HALF PRICE

Technische ondersteuning en e-garantiecertificaat [www.vevor.com/support](http://www.vevor.com/support)

## Polijstmachine voor polijsten

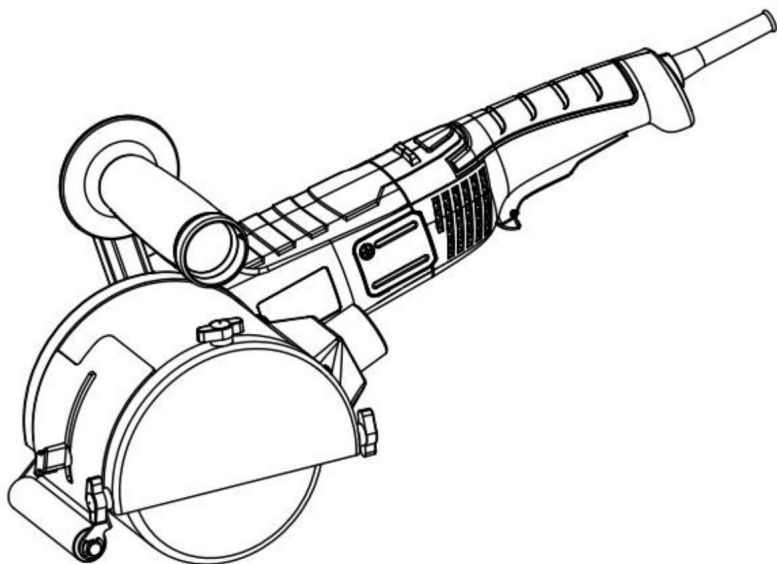
**MODEL: S1P-HJ2209-120H**

Wij streven er voortdurend naar om u gereedschappen tegen concurrerende prijzen te leveren. "Save Half", "Half Price" of andere soortgelijke uitdrukkingen die wij gebruiken, geven alleen een schatting van de besparingen die u kunt behalen door bepaalde gereedschappen bij ons te kopen in vergelijking met de grote topmerken en betekent niet noodzakelijkerwijs dat alle categorieën gereedschappen die wij aanbieden, worden gedekt. Wij herinneren u eraan om zorgvuldig te controleren of u daadwerkelijk de helft bespaart in vergelijking met de grote topmerken wanneer u een bestelling bij ons plaatst.

**VEVOR**<sup>®</sup>  
TOUGH TOOLS, HALF PRICE

**Polijsten  
Polijstmachine**

MODEL:S1P-HJ2209-120H



**HULP NODIG? NEEM CONTACT MET ONS OP!**

Heeft u vragen over het product? Heeft u technische ondersteuning nodig? Neem dan gerust contact met ons op:

**Technische ondersteuning en e-  
garantiecertificaat [www.vevor.com/support](http://www.vevor.com/support)**

Dit is de originele instructie, lees alle handleidingen zorgvuldig door voordat u het product gebruikt. VEVOR behoudt zich een duidelijke interpretatie van onze gebruikershandleiding voor. Het uiterlijk van het product is afhankelijk van het product dat u hebt ontvangen. Vergeef ons dat we u niet opnieuw zullen informeren als er technologie- of software-updates voor ons product zijn.

# INSTRUCTIES

## Voorwoord

Allereerst willen we onze oprechte dank uitspreken aan onze klanten die ons hebben geholpen. onze apparatuur gekocht Deze handleiding is bedoeld voor klantenservice om uw ervaring te verbeteren Geschreven met deze apparatuur. Ik hoop dat de producten en diensten van het bedrijf u de kanaalhoffelijkheid.

## Belangrijke herinnering

Voor uw eigen veiligheid moet u, voordat u dergelijke producten monteert en gebruikt, eerst: Lees deze handleiding om de unieke werking, toepassing en mogelijke toepassingen te verduidelijken problemen met deze apparatuur. Deze handleiding is in overeenstemming met de productiedatum van uw machine, u zult informatie vinden over de technische gegevens van de machine die handmatig is aangeschaft, controleren op updates van onze machines op de after-service site of gerelateerde website.

## Deze polijstmachine is ontworpen voor:

- Commercieel gebruik in de industrie en handel.
- Oppervlaktebewerking zoals bijvoorbeeld polijsten, structureren, polijsten, borstelen, gladmaken, roest of bramen verwijderen van staal of roestvrij staal of niet-metalen materialen.
- Kies de juiste schijf bij het behandelen van houten oppervlakken.

## Specifieke veiligheidsinstructies

Alle in deze instructies opgenomen veiligheidswaarschuwingen en -instructies worden gelezen en gevolgd. Het niet naleven van de veiligheidswaarschuwingen en -instructies kan resulteren in elektrische ontladingen, brand en/of ernstig letsel. Bewaar deze instructies voor later gebruik.

**Houd rekening met alle veiligheidswaarschuwingen, instructies, afbeeldingen en gegevens overhandigd met dit apparaat. Dit elektrische gereedschap zal uitsluitend worden gebruikt volgens de voorschriften en overeenkomstig het doel.**

Gebruik uitsluitend accessoires die specifiek door de fabrikant zijn goedgekeurd voor hun Gebruik met dit elektrische gereedschap. De rotatiesnelheid van het gebruikte gereedschap is de waarde op zijn minst aangegeven op de elektronische apparatuur. De buitenafmetingen en de dikte van het gebruikte gereedschap komt overeen met de aangegeven afmetingen op de elektronische apparatuur.

De slijptrommel en de mantel, of andere soorten accessoires, passen correct op de overeenkomstige spindel van het elektrische gereedschap.

**Gebruik geen beschadigde accessoires.**

Controleer voor elk gebruik de applicatietool om te bepalen of deze zichtbaar is. loslatingen of scheuren en, in het geval van slijplaten, de aanwezigheid van scheuren of overmatige slijtage. Als het elektrische gereedschap of het applicatiegereedschap op de grond valt, controleer of ze beschadigd zijn of gebruik direct een onbeschadigd gereedschap. Zodra de applicatietool is gecontroleerd en op zijn plaats zit, houd uzelf en anderen buiten het rotatievlak, waarbij de apparatuur gedurende één minuut op maximale snelheid.

**Gebruik persoonlijke beschermingsmiddelen.**

Gebruik integrale gezichtsbescherming en oogbescherming (beschermende bril) in overeenstemming met de voorschriften. Gebruik indien nodig een stofmasker, gehoorbescherming (koptelefoon), beschermende handschoenen, speciaal schoeisel of een schort dat kleine deeltjes tegenhoudt die door van je lichaam af te schuren.

**Zorg ervoor dat andere personen in de buurt zich buiten uw werkgebied bevinden.**

Iedereen die het werkgebied betreedt, moet over de juiste bescherming beschikken apparatuur.

Laat het elektrische gereedschap niet aanstaan terwijl u het verplaatst.

Maak de ventilatiesleuven van het elektrische gereedschap regelmatig schoon.

Gebruik het elektrische gereedschap niet in de buurt van ontvlambare stoffen.

Gebruik geen gereedschappen die vloeibare koelmiddelen vereisen.

### **Achterwaartse beweging en bijbehorende veiligheidsmaatregelen**

Terugslag is een plotselinge reactie op een vastgelopen of geblokkeerd verwerkingsgereedschap, zoals een slijpplaat, een roterende borstel, enz. Vastlopen of blokkeren zal leiden tot het roterende verwerkingstool plotseling stopt. Dit veroorzaakt een ongecontroleerde versnelling van de elektrische apparatuur op het punt dat het geblokkeerd raakte, in de rotatierichting tegenovergesteld aan die van het gereedschap.

Een terugslag is het gevolg van een onjuist of onvoldoende gebruik van de elektrische hulpmiddel. Het kan worden vermeden door middel van de preventieve maatregelen, zoals hieronder beschreven. Houd het elektrische gereedschap stevig vast en plaats uw lichaam en armen in een positie waarin u het gereedschap kunt bedienen. Houd de backlashes te compenseren. Mocht het bestaan, gebruik dan altijd de extra hendel in om meer controle te hebben in het geval van tegenreacties of reacties tijdens opstarten. De operator kan de speling of reactiekrachten regelen door de passende voorzorgsmaatregelen.

### **Beweeg uw hand nooit in de buurt van het applicatiegereedschap terwijl het draait.**

Bij een terugslag kan het gereedschap naar uw hand verschuiven.

### **Vorkom dat uw lichaam het gebied betreedt waarin de elektronische apparatuur zich bevindt. uiteindelijk beweegt tijdens tegenreacties.**

Een terugslag duwt het elektrische gereedschap in de tegenovergestelde richting van de beweging van de slijpschijf op het punt waar deze vastloopt.

### **Wees extra voorzichtig bij het werken in de buurt van hoeken, scherpe buizen, etc.**

Vorkom dat het gereedschap van het te bewerken stuk afketst en vastloopt. De roterende applicatietool heeft de neiging vast te lopen op hoeken, scherpe randen of wanneer het van de grond af stuiterd stuk dat wordt verwerkt. Dit leidt tot verlies van controle of een terugslag.

### **Speciale veiligheidsvoorschriften voor ruwen**

Gebruik uitsluitend goedgekeurde ruwelementen voor dit elektrische gereedschap met zijn bijbehorende beschermkap. Ruwe elementen niet goedgekeurd voor deze elektrische

gereedschap kan niet voldoende worden afgedekt en is daarom niet veilig.

De beschermkap wordt stevig op het elektrische gereedschap gemonteerd en in de juiste stand afgesteld. op die manier wordt maximale veiligheid bereikt. Dat wil zeggen, het kleinste deel van de onbedekt slijpmiddel zal naar de operator gericht zijn. De beschermkap heeft de taak om de operator te beschermen tegen losraken van de bit en tegen eventuele schade contact met het slijpelement.

De maalelementen worden uitsluitend gebruikt voor het beoogde doel.

In dit elektrische gereedschap worden geen afkort- of ruwschijven gebruikt.

### Overige veiligheidsindicaties

Houd het elektrische gereedschap altijd met beide handen vast op de daarvoor bestemde oppervlakken (motorbehuizing en handvat).

Houd kleinere stukken vast die verwerkt moeten worden om te voorkomen dat ze onvrijwillig worden verwerkt. verplaatsing.

De netspanning en de spanningsaanduidingen op de

De kenmerken van de plaat moeten overeenkomen.

## GEBRUIKTE SYMBOLEN



GEVAAR: Dit geeft een dreigend gevaar aan. In het geval van

Als u zich hier niet aan houdt, loopt u het risico op overlijden of zeer ernstig letsel.



LET OP: Dit geeft aan dat de situatie mogelijk gevaarlijk is.

Bij niet-naleving bestaat het risico op letsel of materiële schade.



Draag gehoorbescherming



Draag oogbescherming



Draag ademhalingsbescherming



Draag handbescherming



Lees de gebruiksaanwijzing



Klasse II-constructie (dubbel geïsoleerd voor extra bescherming)

## Correcte verwijdering



Dit product valt onder de bepalingen van de Europese Richtlijn 2012/19/EU.

Het symbool met een doorgestreepte afvalbak geeft aan dat de



product vereist aparte afvalinzameling in de Europese Unie. Dit

is van toepassing op het product en alle accessoires die met dit symbool zijn gemarkeerd. Producten Als zodanig gemarkeerde artikelen mogen niet bij het normale huisvuil worden gegooid, maar moeten naar een inzamelpunt voor recycling van elektrische en elektronische apparaten gebracht.

## Technische parameter

Productnaam	Polijstmachine voor polijsten
Model	S1P-HJ2209-120H
Nominaal vermogen	1300W
toerental	1100-3400 tpm
Versnellingspositie	6
Polijst wiel maat	ÿ 120×100mm
Polijstborstel type	Messing borstel

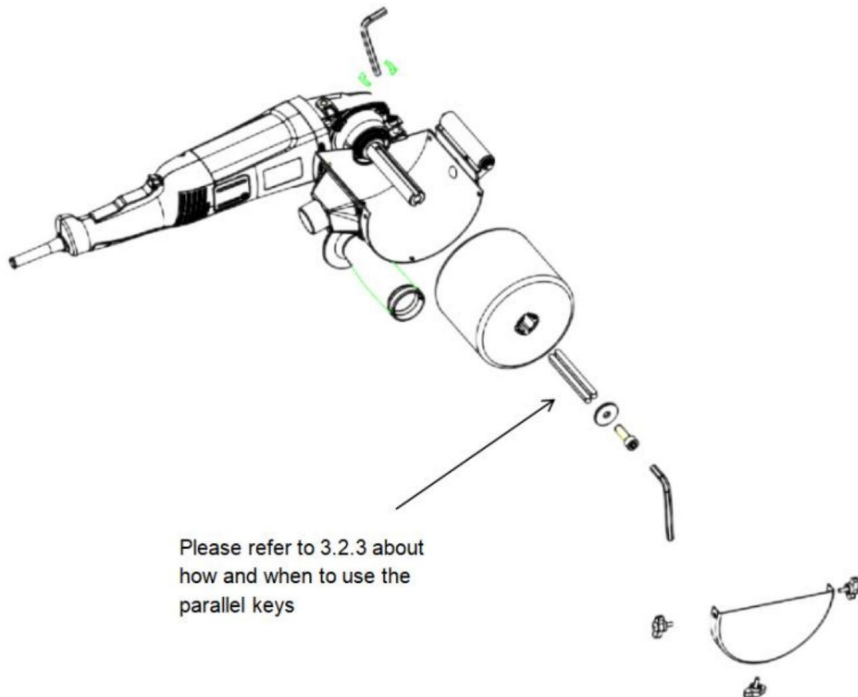
## Opstartinstructies

## Geïllustreerde uitleg

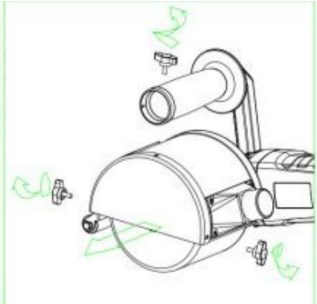
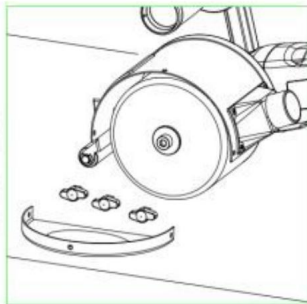
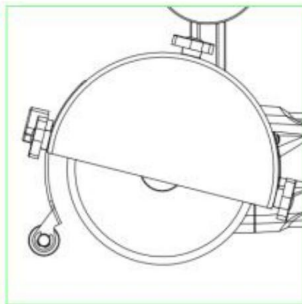
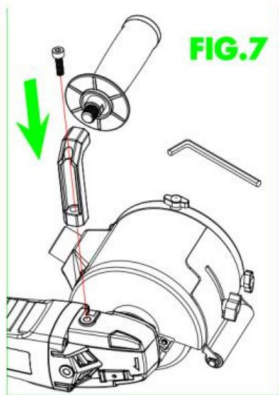
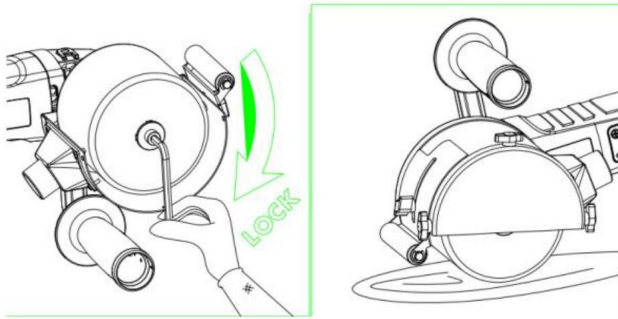
1. Schakelaar
2. Borsteldeksel
3. Snelheidsregelaar
4. Ventilatioosters
7. Handvat
6. Beschermende behuizing
- Schijf/Trommel/wiel (optioneel)
8. Kabel
9. Tandwielkop
10. Spindelvergrendelingsknop

\* De beschreven en afgebeelde accessoires komen niet overeen met het serienummer materiaal inbegrepen. Het volledige assortiment optionele accessoires wordt gedetailleerd beschreven in onze accessoireprogramma.

## Hoe te monteren en demonteren



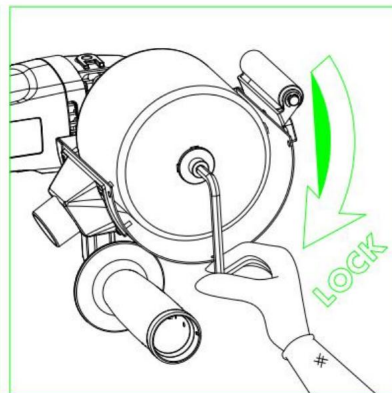
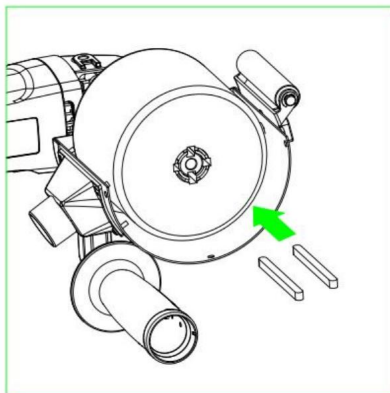
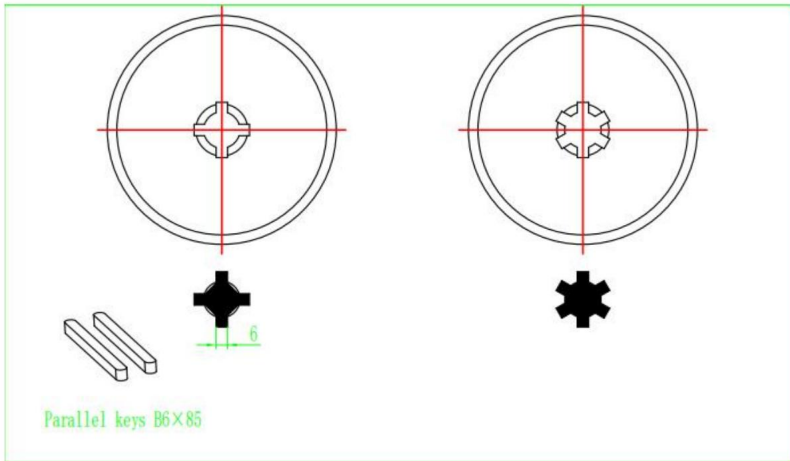
Please refer to 3.2.3 about  
how and when to use the  
parallel keys



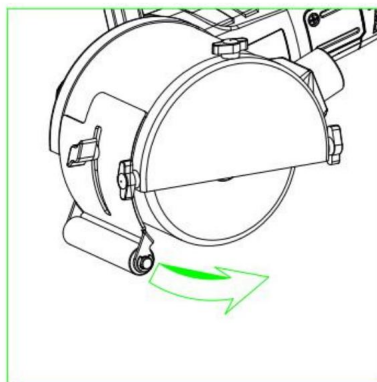
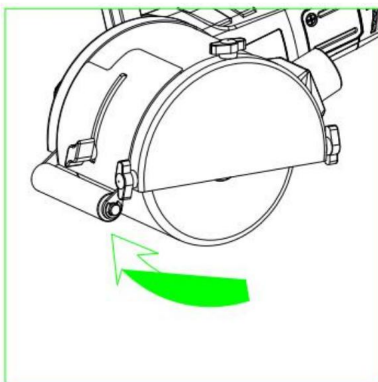
## Parallele toetsen:

De machine is geschikt voor verschillende trommelvormen met een binnendiameter van 20 mm.

Als de trommelborstel er hetzelfde uitziet als hieronder, gebruik dan de twee parallelle sleutels om deze te repareren.



## Hoogteverstelling van de bescherming



# Gebruiksaanwijzing

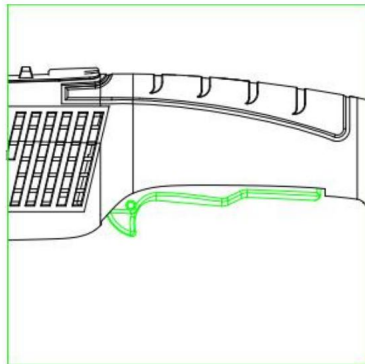
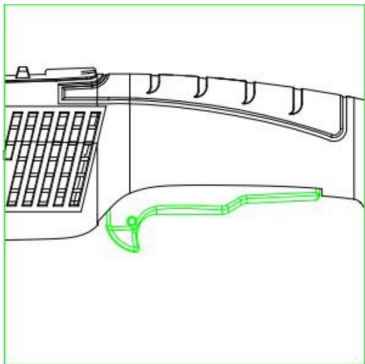
## 1. Opstarten

Trek de stekker uit het stopcontact voordat u werkzaamheden aan de elektrische installatie uitvoert. apparaat.

Vóór de start

Pak het elektrische gereedschap uit en controleer of het overhandigde volume compleet is en vaststellen of er tijdens het transport schade is ontstaan.

-Druk op de schakelaar en houd deze ingedrukt. -Als u het gereedschap wilt stoppen, laat u de schakelaar los.



Rotatiesnelheidsregelaar

- Om de werksnelheid aan te passen, draait u het snelheidsregelwiel naar de gewenste waarde.

Houd het gereedschap of de

gereedschapshouder vast. - Haal de stekker uit het stopcontact.

-Druk op de spindelblokkeerknop en houd deze ingedrukt.

-Draai de schroeven los met een sleutel en verwijder beide schijven.

- Beweeg het gereedschap of de bijbehorende steun over de gereedschapshouder (positie afstelling, sleutel).

## 2. Gereedschapswissel

Versnelling

Tijdens de garantieperiode mogen de schroeven van de tandwielkop niet losgedraaid worden.

Bij niet-naleving vervalt de garantie van de fabrikant.

### 3. Afstellingsbewerking

Beschermingsafdekking afstellen

De polijstmachine wordt altijd gebruikt met de beschermkap op zijn plaats

- 1. Draai de afstelschroef van het deksel los
- 2. Stel de beschermkap in op een positie die geschikt is voor de uit te voeren taak. uitgevoerd en in de bijbehorende werkpositie
- Stel de schroef nogmaals af.
- Pas de diepte aan

### 4. Algemene gebruiksaanwijzingen

Als het slijpgereedschap eenmaal is uitgeschakeld, werkt het nog even door vanwege de traagheid.

Bewerking van vlakke oppervlakken

- Houd het elektrische gereedschap met beide handen vast.
- Voor een decoratieve afwerking van het oppervlak: -  
Plaats het elektrische gereedschap voorzichtig op het te bewerken oppervlak en voer een  
Rechtlijnige beweging vooruit en dan weer achteruit.

## Onderhouds- en reinigingsinstructies

Trek de stekker uit het stopcontact voordat u werkzaamheden aan de elektrische installatie uitvoert. apparatuur.

Schoonmaak

Bij het bewerken van metalen kan er geleidend stof in de behuizing terechtkomen.

Dit kan invloed hebben op de isolatie!

Start de machine met behulp van een differentieelschakelaar (maximale bedrijfsstroom 30mA)

Reinig de apparatuur en de ventilatiesleuven regelmatig. De reinigingsfrequentie zal zijn afhankelijk van het materiaal en de intensiteit van het gebruik.

Reinig regelmatig het onderste deel van de behuizing en de motor met droog perswater. lucht.

## 1. Reparatieservice

De technische dienst adviseert u graag over eventuele vragen over reparaties en onderhoud van uw product, terwijl ook op reserveonderdelen. De diagrammen voor Informatie over de demontage en reserveonderdelen is verkrijgbaar bij de servicewinkel.

Ons team van technische adviseurs adviseert u graag over de aanschaf, toepassing en aanpassing van de producten en toebehoren.

## 2. Garantie

Garantiekaart

U kunt de garantiekaart vinden in de documenten die bij de elektrische installatie zijn geleverd. gereedschap. De garantiekaart moet volledig worden ingevuld en er moet een kopie van de aankoopbon of -rekening en deze inleveren bij de winkelier in ruil voor een ontvangstbevestiging.

LET OP! Vraag deze kaart direct aan bij uw winkelier als deze ontbreekt.

De garantie is uitsluitend beperkt tot fabricage- of bewerkingfouten en vervalt wanneer de stukken buiten de garantietermijn worden gedemonteerd, behandeld of gerepareerd. fabriek.

## 3. Eliminatie

Wij adviseren om elektrisch gereedschap, accessoires en verpakkingen te onderwerpen aan een recyclingproces dat het milieu respecteert.

Alleen voor EU-handen:

Gooi elektrisch gereedschap niet bij het afval!

In overeenstemming met de Europese richtlijn 2002/96/EG betreffende afgedankte elektrische en elektronische apparatuur elektronische apparatuur, na de omzetting ervan in een nationale wet, zullen elektrische gereedschappen gescheiden worden ingezameld om ecologisch gerecycled te worden.

Het zou de oscillatiebelasting gedurende de gehele periode aanzienlijk kunnen verhogen. De tijd gedurende welke de apparatuur stilstaat of anderszins de tijd gedurende welke deze stilstaat niet echt gewerkt tijdens het gebruik, zal ook in aanmerking worden genomen de trillingsbelastingen bepalen. Dit kan de oscillatiebelasting aanzienlijk verminderen gedurende de gehele werkperiode.

Voer aanvullende veiligheidsmaatregelen uit ter bescherming van de operator voordat u een beslissing neemt. de oscillaties, bijvoorbeeld: het onderhouden van elektrisch en applicatiegereedschap, het warm houden van de handen, de organisatie van de werkvolgorde.

**Fabrikant:** Shanghaimuxinmuyeyouxiangongsi

**Adres:** Shuangchenglu 803nong11hao1602A-1609shi, baoshanqu, shanghai  
200000 CN.

**Geïmporteerd naar AUS:** SIHAO PTY LTD. 1 ROKEVA STREETEASTWOOD NSW 2122  
Australië

**Geïmporteerd naar de VS:** Sanven Technology Ltd. Suite 250, 9166 Anaheim Place, Rancho  
Cucamonga, CA 91730



YH CONSULTING LIMITED.

C/O YH Consulting Limited Kantoor 147,  
Centurionhuis, Londen Road,  
Staines-upon-Thames, Surrey, TW18 4AX



E-CrossStu GmbH

Mainzer Landstr.69, 60329 Frankfurt am Main.



**VEVOR**<sup>®</sup>

**TOUGH TOOLS, HALF PRICE**

Technische ondersteuning en e-  
garantiecertificaat [www.vevor.com/support](http://www.vevor.com/support)

# VEVOR®

## TOUGH TOOLS, HALF PRICE

Teknisk support och e-garanticertifikat [www.vevor.com/support](http://www.vevor.com/support)

## Poleringsmaskin

**MODELL: S1P-HJ2209-120H**

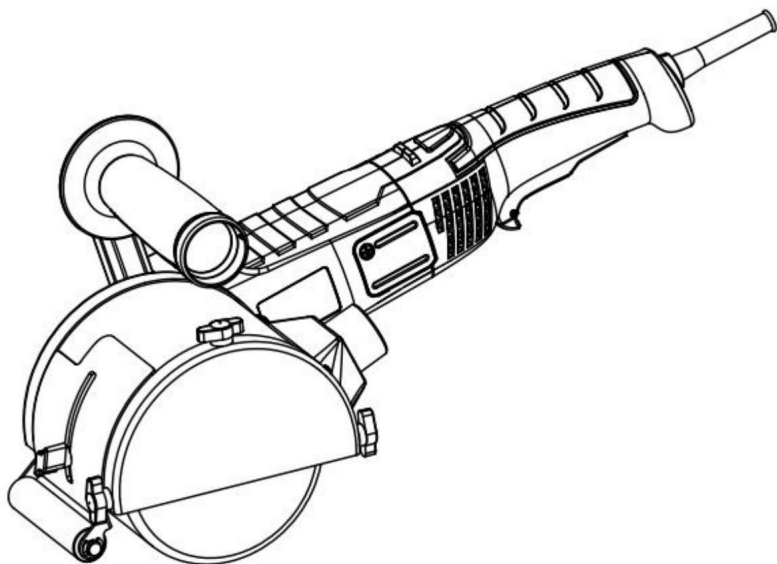
Vi fortsätter att vara engagerade i att ge dig verktyg till konkurrenskraftiga priser. "Spara hälften", "halva priset" eller andra liknande uttryck som används av oss representerar bara en uppskattning av besparingar du kan dra nytta av att köpa vissa verktyg hos oss jämfört med de stora toppmärkena och betyder inte nödvändigtvis att täcka alla kategorier av verktyg som erbjuds av oss. Du påminns vänligen om att noggrant kontrollera när du gör en beställning hos oss om du faktiskt sparar hälften i jämförelse med de främsta stora varumärkena.

# VEVOR®

TOUGH TOOLS, HALF PRICE

## Polering Polermaskin

MODELL:S1P-HJ2209-120H



### BEHÖVER HJÄLP? KONTAKTA OSS!

Har du produktfrågor? Behöver du teknisk support? Kontakta oss gärna:

**Teknisk support och e-garanticertifikat**  
**[www.vevor.com/support](http://www.vevor.com/support)**

Detta är den ursprungliga instruktionen, läs alla instruktioner noggrant innan du använder den. VEVOR reserverar sig för en tydlig tolkning av vår användarmanual. Utseendet på produkten är beroende av den produkt du fått. Ursäkta oss att vi inte kommer att informera dig igen om det finns någon teknik eller mjukvaruuppdateringar på vår produkt.

## INSTRUKTIONER

### Förord

Låt oss först och främst uttrycka vårt hjärtliga tack till våra kunder som har köpt vår utrustning. Den här manualen är till för att kundtjänst ska bli bättre. Skrivet med denna utrustning. Hoppas företagets produkter och tjänster att ta med du kanalen artighet.

### Viktig påminnelse

För din egen säkerhet, innan du monterar och använder sådana produkter, måste du först läsa denna handbok för att förtydliga den unika driften, applikationen och möjliga problem med denna utrustning.

Denna bruksanvisning är förenlig med tillverkningsdatumet för din maskin, det kommer du att göra hitta information om tekniska data för den maskin som förvärvats manuellt efter uppdateringar av våra maskiner på efterservicesidan eller relaterad webbplats.

### Denna poleringsmaskin är designad för:

- Kommersiell användning inom industrier och handel.
- Ytbearbetning som till exempel polering, strukturering, polering, borsta, släta, ta bort rost eller grader från stål eller rostfritt stål eller icke-metalliska material.
- Välj rätt hjul vid behandling av trätytor.

### Specifika säkerhetsinstruktioner

Alla säkerhetsvarningar och instruktioner som ingår i dessa instruktioner kommer att läsas och följas. Underlåtenhet att följa säkerhetsvarningarna och instruktionerna kan leda till elektriska urladdningar, brand och/eller allvarliga skador. Spara dessa instruktioner för senare användning.

**Ta hänsyn till alla säkerhetsvarningar, instruktioner, bilder och data överlämnas med denna utrustning. Detta elektriska verktyg kommer endast att användas enligt föreskrifterna och i enlighet med dess syfte.**

Använd endast tillbehör som är specifikt godkända av tillverkaren för deras använd med detta elektriska verktyg. Rotationshastigheten för det använda verktyget kommer att vara värdet anges på den elektroniska utrustningen åtminstone. De yttre måtten och tjockleken på det använda verktyget kommer att motsvara de angivna måtten på den elektroniska utrustningen.

Sliptrumman och höljet, eller andra typer av tillbehör, kommer att passa korrekt på motsvarande spindel på elverktyget.

**Använd inte skadade tillbehör.**

Kontrollera appliceringsverktyget före varje användning för att avgöra om det visas lossningar eller sprickor och, när det gäller slipplattor, förekomst av sprickor eller överdrivet slitage. Om elverktyget eller appliceringsverktyget faller till golvet, kontrollera om de är skadade eller använd direkt ett oskadat verktyg. När applikationsverktyget har kontrollerats och är på plats, behåll dig själv och andra utanför rotationsplanet och lämna utrustningen igång i en minut kl maximal hastighet.

**Använd personlig skyddsutrustning.**

Använd inbyggt ansiktsskydd och ögonskydd (skyddsglasögon) i enlighet med detta med bestämmelserna. Använd vid behov en dammmask, hörselskydd (hörlurar), skyddshandskar, speciella skor eller ett förkläde som håller kvar små partiklar som orsakas genom att slipa bort från din kropp.

**Se till att andra personer i närheten befinner sig utanför ditt arbetsområde.**

Alla som kommer till arbetsområdet måste ges tillräckligt skydd utrustning.

Lämna inte elverktyget igång när du flyttar det från en plats till en annan.

Rengör regelbundet ventilationsslitsarna på elverktyget.

Använd inte elverktyget i närheten av brandfarliga ämnen.

Använd inte appliceringsverktyg som kräver flytande kylmedel.

### **Bakåtrörelse och motsvarande säkerhetsåtgärder**

Backlash är en plötslig reaktion på ett fastklämt eller blockerat bearbetningsverktyg, t.ex slippplatta, en roterande borste, etc. Fastning av blockering leder till rotationen bearbetningsverktyg för att stoppa plötsligt. Detta orsakar en okontrollerad acceleration av elektrisk utrustning där den blev blockerad, i motsatt rotationsbemärkelse till verktygets.

Ett bakslag är följden av en felaktig eller otillräcklig användning av det elektriska verktyg. Det kan undvikas genom de förebyggande åtgärder som beskrivs nedan. Håll det elektriska verktyget stadigt och placera din kropp och armar i en position som tillåter dig för att kompensera motreaktionerna. Om det finns, använd alltid det extra handtaget i för att ha en större kontroll vid motreaktioner eller reaktioner under uppstart. Operatören kan kontrollera glappet eller reaktionskrafterna genom att använda lämpliga försiktighetsåtgärder.

### **Flytta aldrig handen nära appliceringsverktyget medan det roterar.**

Verktyget kan röra sig på din hand vid ett bakslag.

### **Undvik att din kropp kommer in i området där den elektroniska utrustningen finns rör sig så småningom under motreaktioner.**

Ett glapp trycker det elektriska verktyget i motsatt riktning mot rörelsen av slipskivan vid den punkt där den blir blockerad.

### **Arbeta med särskild försiktighet nära hörn, vassa rör etc.**

Undvik att verktyget studsar av biten som bearbetas och fastnar. Den roterande appliceringsverktyget tenderar att fastna i hörn, skarpa kanter eller när du studsar av bit som bearbetas. Detta leder till en förlust av kontroll eller en motreaktion.

### **Särskilda säkerhetsindikationer för grovbearbetning**

Använd endast godkända grovbearbetningselement för detta elverktyg med dess motsvarande skyddskåpa. Grovbearbetningselement är inte godkända för denna el

Verktyget kan inte täckas tillräckligt och är därför inte säkert.

Skyddskåpan kommer att monteras ordentligt på elverktyget och justeras in på så sätt uppnås maximal säkerhet. Det vill säga den minsta delen av avtäckt slipmedel kommer att vara vänd mot operatören. Skyddskåpan har uppgift att skydda operatören från att biten lossnar och från eventuella kontakt med slipelementet.

Slipelementen kommer att användas uteslutande för deras avsedda användningsområden.

Del- eller grovbearbetningskivor kommer inte att användas i detta elverktyg.

### Andra säkerhetsindikationer

Håll alltid elverktyget med båda händerna på motsvarande ytor (motorhus och handtag).

Håll mindre bitar som ska bearbetas för att undvika att de blir ofrivilliga förflyttning.

Nätspänningen för nätaggregatet och spänningsindikeringarna på egenskaper plattan måste sammanfalla.

## ANVÄNDA SYMBOLER



**FARA:** Detta indikerar en överhängande fara. I fallet med Vid bristande efterlevnad riskerar du dödsfall eller mycket allvarliga skador.



**VARNING:** Detta indikerar en situation som kan vara farlig. Bristande efterlevnad innebär risk för personskador eller materiella skador.



Bär hörselskydd



Använd ögonskydd



Använd andningsskydd



Bär handskydd



Läs bruksanvisningen



Klass II-konstruktion (dubbelisolerad för extra skydd)

## Korrekt avfallshantering



Denna produkt omfattas av bestämmelserna i det europeiska direktivet 2012/19/EU.

Symbolen som visar en soptunna på hjul anger att



Produkten kräver separat sophämtning i EU. Detta

gäller för produkten och alla tillbehör märkta med denna symbol. Produkter

märkt som sådant får inte slängas tillsammans med vanligt hushållsavfall, men måste vara det tas till en samlingsplats för återvinning av elektriska och elektroniska apparater.

## Teknisk parameter

Produktnamn	Poleringsmaskin
Modell	S1P-HJ2209-120H
Märkeffekthastighet	1300W
	1100-3400r/min
Växelläge	6
Polerhjul storlek	ϕ 120×100 mm
Typ av polerborste	Mässingsborste

## Uppstartsinstruktioner

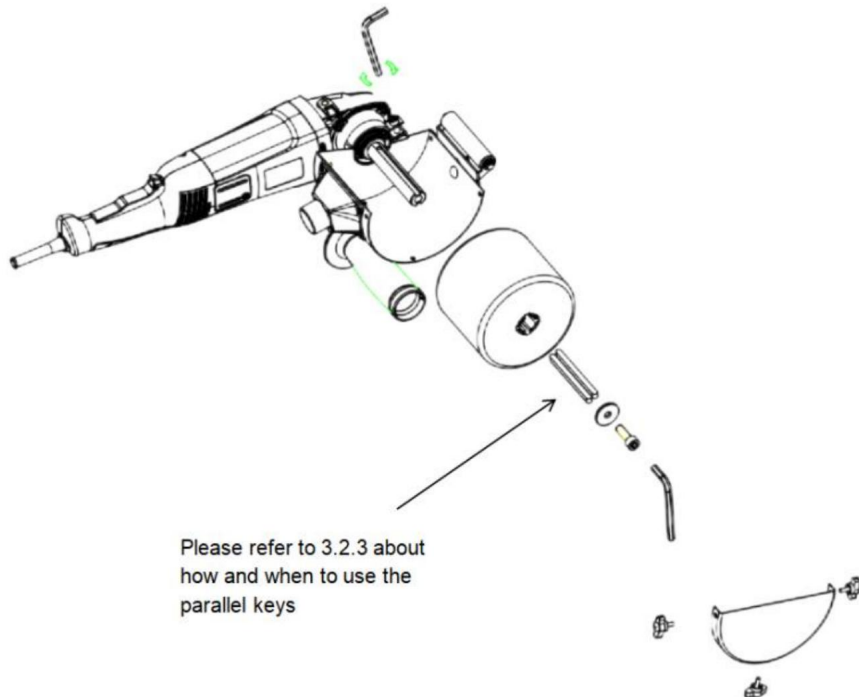
### Illustrerad förklaring

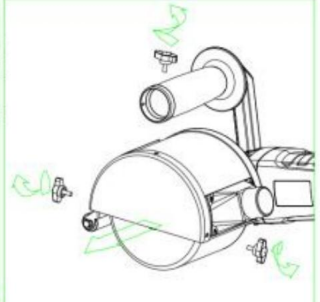
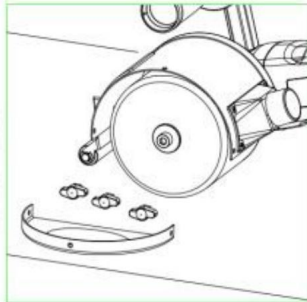
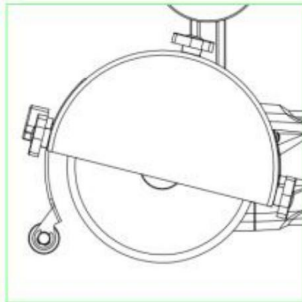
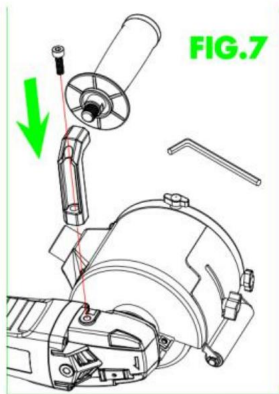
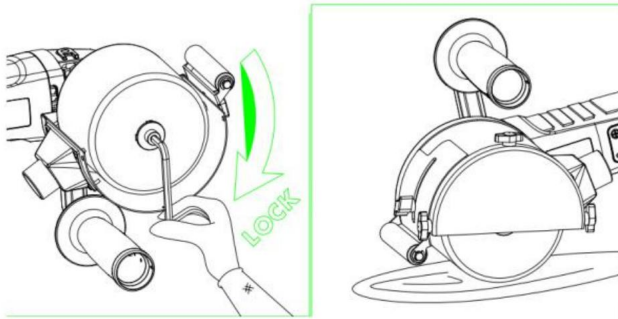
1. Växla
2. Borstskydd
3. Hastighetsregulator
4. Ventilationsgaller
7. Handtag
6. Skyddsboende
- Skiva/trumma/hjul (tillval)
8. Kabel
9. Kugghjulshuvud
10. Spindellåsknapp

\* Tillbehören som beskrivs och illustreras motsvarar inte serien

material ingår. Det kompletta utbudet av valfria tillbehör finns detaljerat i vår tillbehörsprogram.

## Hur man monterar och demonterar

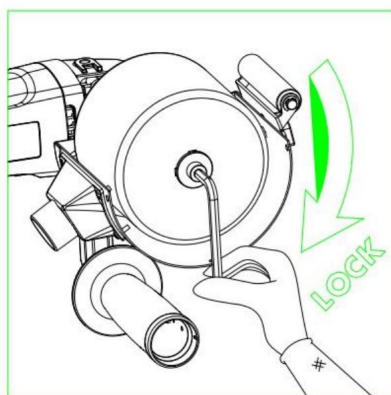
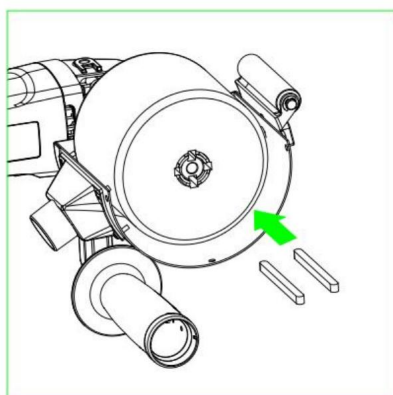
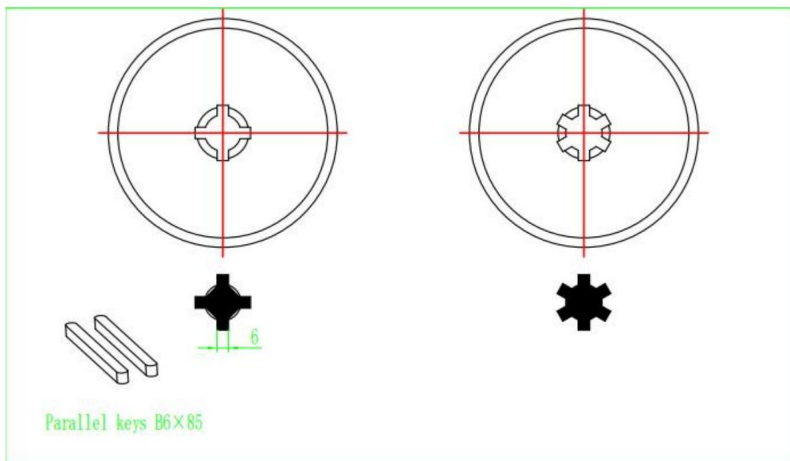




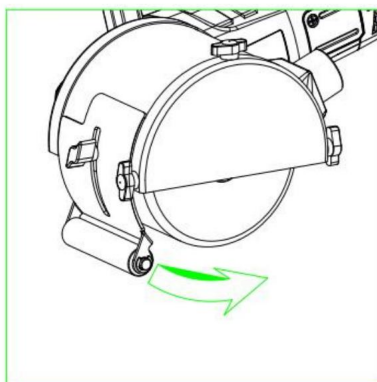
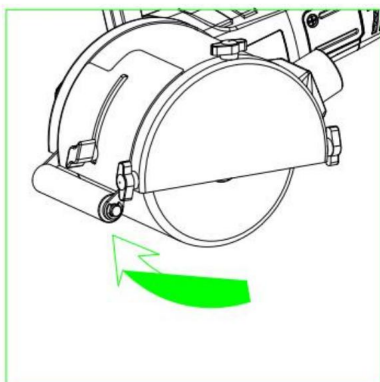
## Parallela tangenter:

Maskinen är lämplig med olika formad trumma med innerdiameter 20mm.

När trumborsten är som de nedan, använd de två parallella nycklarna för att fixa.



## Höjdjustering av skyddet



# Bruksanvisning

## 1. Upstart

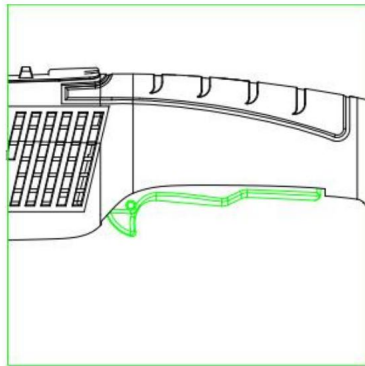
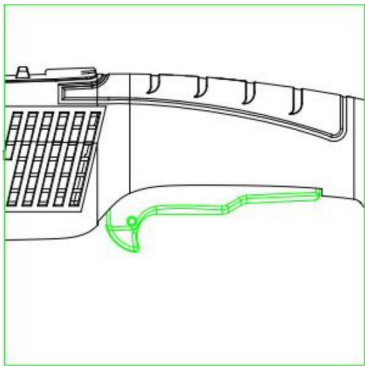
Koppla ur nätkontakten innan du utför något arbete i det elektriska utrustning.

Innan uppstart

Packa upp elverktyget och kontrollera att den överlämnade volymen är komplett och avgöra om någon skada har uppstått under transporten.

-Tryck på knappen och håll den intryckt. -Om

du vill stoppa verktyget, släpp strömbrytaren.



Rotationshastighetsregulator

- För att justera arbetshastigheten, vrid hastighetskontrollhjulet till önskat värde.

Håll i verktyget eller verktygsstödet

- Koppla bort kontakten från strömförsörjningen.

-Tryck på spindelblockeringsknappen och håll den intryckt.

- Lossa skruvarna med en skiftnyckel och ta bort båda skivorna.

- Flytta verktyget eller motsvarande stöd över verktyghållaren (position justering, nyckel).

## 2. Verktygsbyte

Redskap

Lossa inte skruvarna vid växelhuvudet under garantitiden.

Bristande efterlevnad leder till att tillverkarens garanti löper ut.

### 3. Justeringsoperation

Justering av skyddskåpa

Poleringsmaskinen kommer alltid att användas med skyddskåpan på plats

- 1. Lossa locket justerskruv
- 2. Justera skyddskåpan i ett läge som är lämpligt för uppgiften utförs och i motsvarande arbetsställning
- Justera skruven en gång till.
- Justera djupet

### 4. Allmänna bruksanvisningar

När det är avstängt fortsätter slipverktyget att arbeta en kort stund på grund av tröghet.

Bearbetning av plana ytor

- Håll i elverktyget med båda händerna.
- För en dekorativ finish av ytan: - Basera försiktigt det elektriska verktyget på ytan som ska bearbetas, utför en rätlinjerörelse framåt och sedan bakåt.

## Underhålls- och rengöringsinstruktioner

Koppla ur nätkontakten innan du utför något arbete i det elektriska utrustning.

Rengöring

Ledande damm kan avsättas inuti höljet vid bearbetning av metaller.

Detta kan ha inverkan på skyddsisoleringen!

Starta maskinen med en differentialbrytare (maximal driftström 30 mA)

Rengör regelbundet utrustningen och ventilationsslitsarna. Rengöringsfrekvensen kommer beror på materialet och användningsintensiteten.

Rengör med jämna mellanrum den nedre delen av höljet och motorn med torrt komprimerat luft.

## 1. Reparationsservice

Den tekniska servicen kommer att ge dig råd om alla frågor du kan ha angående reparationer och underhåll av din produkt, samtidigt som du använder reservdelar. Diagrammen för demontering och information om reservdelar finns i servicebutiken.

Vårt team av tekniska rådgivare guidar dig gärna angående anskaffning, applicering och anpassning av produkterna och tillbehören.

## 2. Garanti

Garantikort

Du kan hitta garantikortet bland de dokument som medföljer elen verktyg. Garantikortet måste fyllas i fullständigt och bifoga en kopia av inköpskvitto eller räkning och lämna in den till återförsäljaren i utbyte mot en mottagningsbevis.

NOTERA! Begär detta kort omedelbart från din återförsäljare om det saknas.

Garantin är uteslutande begränsad till tillverknings- eller bearbetningsfel, som upphör när delarna tas isär, hanteras eller repareras utanför fabrik.

## 3. Eliminering

Vi rekommenderar att elektriska verktyg, tillbehör och förpackningar utsätts för en återvinningsprocess som respekterar miljön.

Endast för EU-länder:

Kasta inte elverktyg i soporna!

I enlighet med det europeiska direktivet 2002/96/EC om avfall från elektriska och elektronisk utrustning, efter dess införlivande i en nationell lag, kommer elektriska verktyg ackumuleras separat för att utsättas för ekologisk återvinning.

Det skulle kunna öka svängningsbelastningen avsevärt under hela perioden. Tiden under vilken utrustningen har stannat eller, annars, den tid under vilken den har stannat inte riktigt fungerat medan den är i drift, kommer också att beaktas bestämma vibrationsbelastningarna. Detta kan avsevärt minska oscillationsbelastningen under hela arbetstiden.

Implementera ytterligare säkerhetsåtgärder för operatörsskydd innan beslut fattas svängningarna, till exempel: underhåll av el- och appliceringsverktyg, hålla händerna varma, arbetssekvensorganisation.

**Tillverkare:** Shanghaimuxinmuyeyouxiangongsi

**Adress:** Shuangchenglu 803nong11hao1602A-1609shi, baoshanqu, shanghai  
200 000 CN.

**Importerad till AUS:** SIHAO PTY LTD. 1 ROKEVA STREETEASTWOOD NSW 2122  
Australien

**Importerad till USA:** Sanven Technology Ltd. Suite 250, 9166 Anaheim Place, Rancho  
Cucamonga, CA 91730



YH CONSULTING LIMITED.

C/O YH Consulting Limited Office 147,  
Centurion House, London Road,  
Staines-upon-Thames, Surrey, TW18 4AX



E-CrossStu GmbH

Mainzer Landstr.69, 60329 Frankfurt am Main.



**VEVOR**®

**TOUGH TOOLS, HALF PRICE**

**Teknisk support och e-garanticertifikat**

**[www.vevor.com/support](http://www.vevor.com/support)**