

# **VEVOR<sup>®</sup>**

## **TOUGH TOOLS, HALF PRICE**

Technical Support and E-Warranty Certificate

[www.vevor.com/support](http://www.vevor.com/support)

## **OUTDOOR TABLE TENNIS TABLE**

**MODEL: VT003**

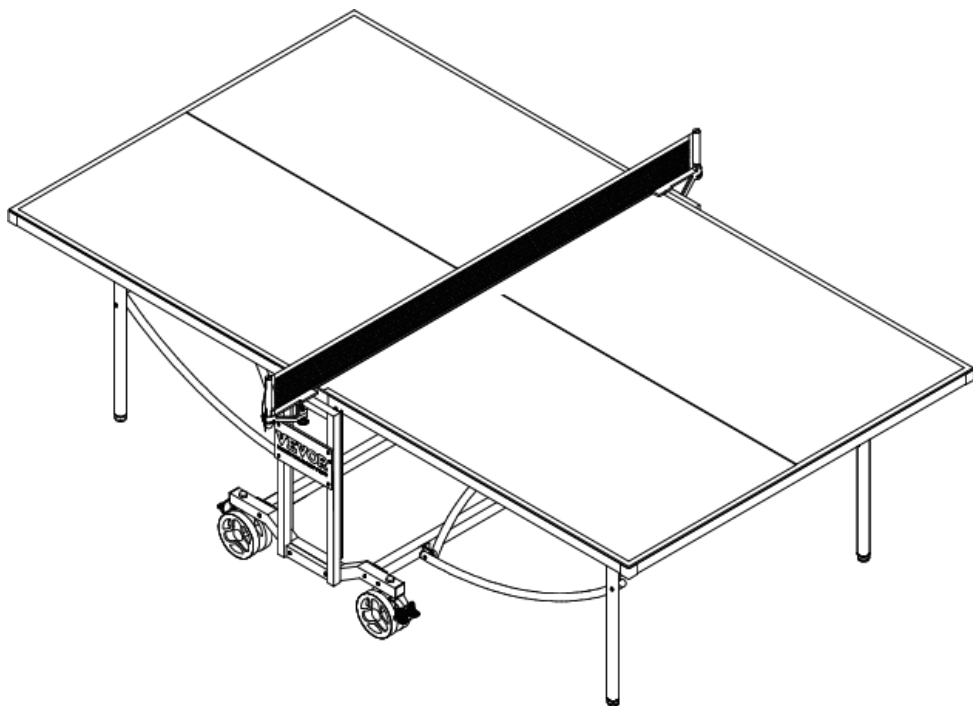
We continue to be committed to provide you tools with competitive price.

"Save Half", "Half Price" or any other similar expressions used by us only represents an estimate of savings you might benefit from buying certain tools with us compared to the major top brands and does not necessarily mean to cover all categories of tools offered by us. You are kindly reminded to verify carefully when you are placing an order with us if you are actually saving half in comparison with the top major brands.

# VEVOR<sup>®</sup>

TOUGH TOOLS, HALF PRICE

OUTDOOR TABLE  
TENNIS TABLE



## NEED HELP? CONTACT US!

Have product questions? Need technical support? Please feel free to contact us:

**Technical Support and E-Warranty Certificate**  
**[www.vevor.com/support](http://www.vevor.com/support)**

This is the original instruction, please read all manual instructions carefully before operating. VEVOR reserves a clear interpretation of our user manual. The appearance of the product shall be subject to the product you received. Please forgive us that we won't inform you again if there are any technology or software updates on our product.

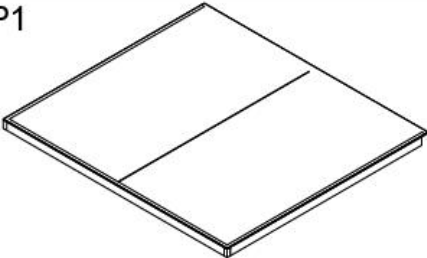



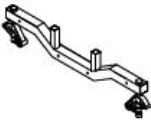













## PRODUCT PARAMETERS

Model	Product Size (mm)	Location of Use	Panel Thickness
VT003	2740X1525X760	Outdoor	6mm




















### Handling Equipment and Maintenance

1. Make sure that the table tennis table is fully and accurately assembled before use.
2. The table should not be moved, assembled or stored by children without adult super-vision.
3. Set the table up on a level surface.
4. Do not cover it with plastic foil because condensation may form beneath it.
5. Do not use corrosive or abrasive materials to clean the equipment as it may damage the surfaces of the table. In most cases, a slightly dampened cloth is sufficient.

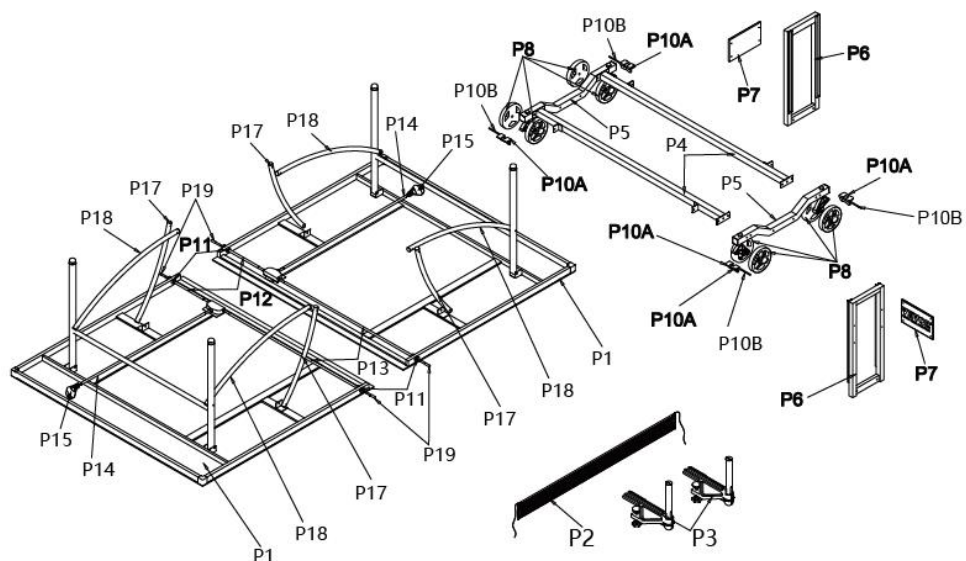
## PARTS IDENTIFIER

<p>P1</p>  <p>Table Tennis Top</p> <p>x2pcs</p>	<p>P2</p>  <p>Table Tennis Net</p> <p>x1pc</p>	<p>P3</p>  <p>Table Tennis Post</p> <p>x2pcs</p>
<p>P4</p>  <p>Connecti</p> <p>x2pcs</p>	<p>P5</p>  <p>Chassis</p> <p>x2pcs</p>	<p>P6</p>  <p>Side panel border</p> <p>x2pcs</p>
<p>P7</p>  <p>Poster board</p> <p>x2pcs</p>	<p>P8</p>  <p>Wheel</p> <p>x4set</p>	<p>P9</p>  <p>Wheel cover</p> <p>x8pcs</p>
<p>P10</p>  <p>P10B P10A</p> <p>Wheel brake pads</p> <p>x4set</p>	<p>P11</p>  <p>Sliding groove plastic screw</p> <p>x4set</p>	<p>P12</p>  <p>Circular tube</p> <p>x2pcs</p>
<p>P13</p>  <p>Circular tube</p> <p>x2pcs</p>	<p>P14</p>  <p>Circular tube</p> <p>x2pcs</p>	<p>P15</p>  <p>Handlebar</p> <p>x2pcs</p>
<p>P16</p>  <p>Plastic card slot</p> <p>x2pcs</p>	<p>P17</p>  <p>Circular tube</p> <p>x4pcs</p>	<p>P18</p>  <p>Circular tube</p> <p>x4pcs</p>

## PARTS IDENTIFIER

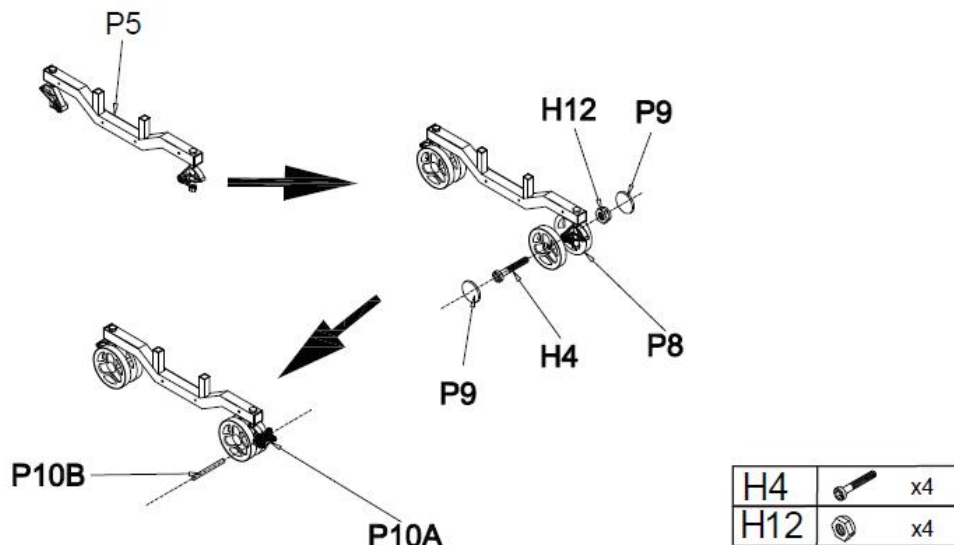
<p><b>P19</b></p>  <p>Latch</p> <p style="text-align: right;">x4pcs</p>	<p><b>H1</b></p>  <p>M6x90 Bolt</p> <p style="text-align: right;">x4pcs</p>	<p><b>H2</b></p>  <p>M6x85 Bolt</p> <p style="text-align: right;">x4pcs</p>
<p><b>H3</b></p>  <p>M6x70 Bolt</p> <p style="text-align: right;">x4pcs</p>	<p><b>H4</b></p>  <p>M8x60 Bolt</p> <p style="text-align: right;">x4pcs</p>	<p><b>H5</b></p>  <p>M6x55 Bolt</p> <p style="text-align: right;">x8pcs</p>
<p><b>H6</b></p>  <p>M8x45 Bolt</p> <p style="text-align: right;">x4pcs</p>	<p><b>H7</b></p>  <p>M8*Ø16*8 Plastic washer</p> <p style="text-align: right;">x4pcs</p>	<p><b>H8</b></p>  <p>M8*Ø16*13 Plastic washer</p> <p style="text-align: right;">x8pcs</p>
<p><b>H9</b></p>  <p>M8*Ø16*4 Plastic washer</p> <p style="text-align: right;">x4pcs</p>	<p><b>H10</b></p>  <p>M6*Ø12*2 Plastic washer</p> <p style="text-align: right;">x48pcs</p>	<p><b>H11</b></p>  <p>M6 Lock Nut</p> <p style="text-align: right;">x24pcs</p>
<p><b>H12</b></p>  <p>M8 Lock Nut</p> <p style="text-align: right;">x4pcs</p>	<p><b>H13</b></p>  <p>M3*8 Screw</p> <p style="text-align: right;">x10pcs</p>	<p><b>H14</b></p>  <p>4x25mm Screw</p> <p style="text-align: right;">x10pcs</p>
<p><b>H15</b></p>  <p>M6L Tool</p> <p style="text-align: right;">x1pc</p>	<p><b>H16</b></p>  <p>M4L Tool</p> <p style="text-align: right;">x1pc</p>	<p><b>H17</b></p>  <p>Open end wrench</p> <p style="text-align: right;">x2pcs</p>
<p><b>H18</b></p>  <p>Plastic cover</p> <p style="text-align: right;">x4pcs</p>		

## Product breakdown diagram



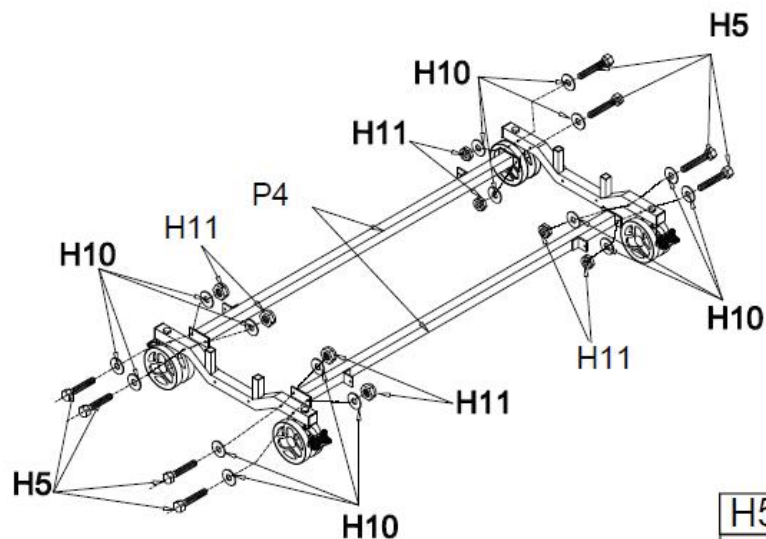
**FIGURE 1**




**WARNING: TOW ADULTS NEEDED ASSEMBLE POOL TABLE**



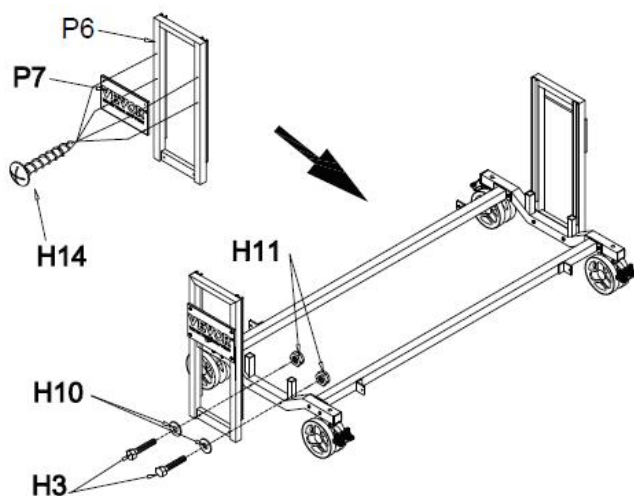
## FIGURE 2





**WARNING: TOW ADULTS NEEDED ASSEMBLE POOL TABLE**



H5		x8
H10		x50
H11		x24

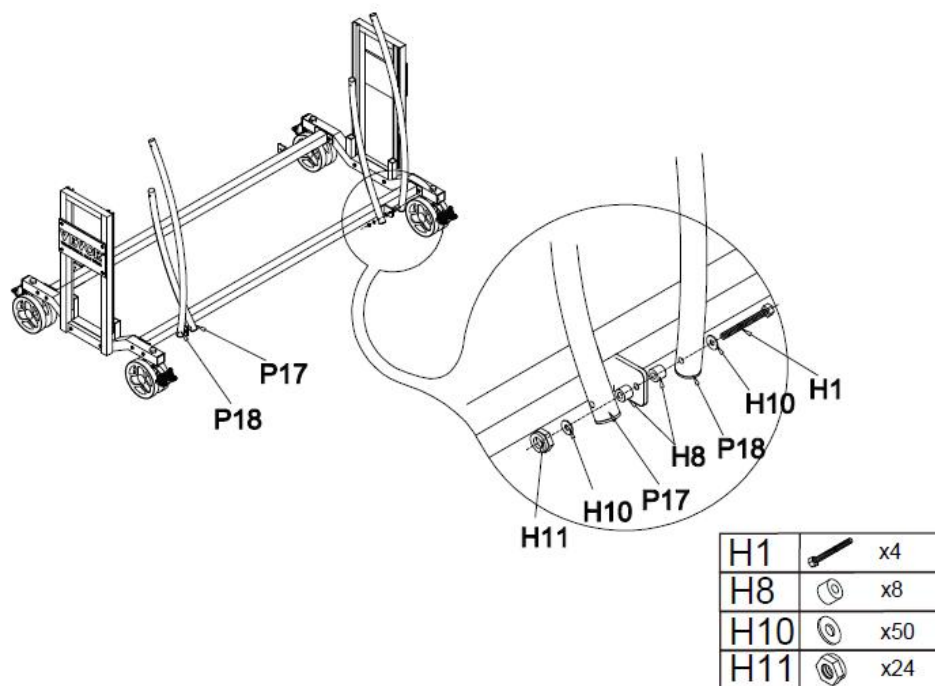
## FIGURE 3



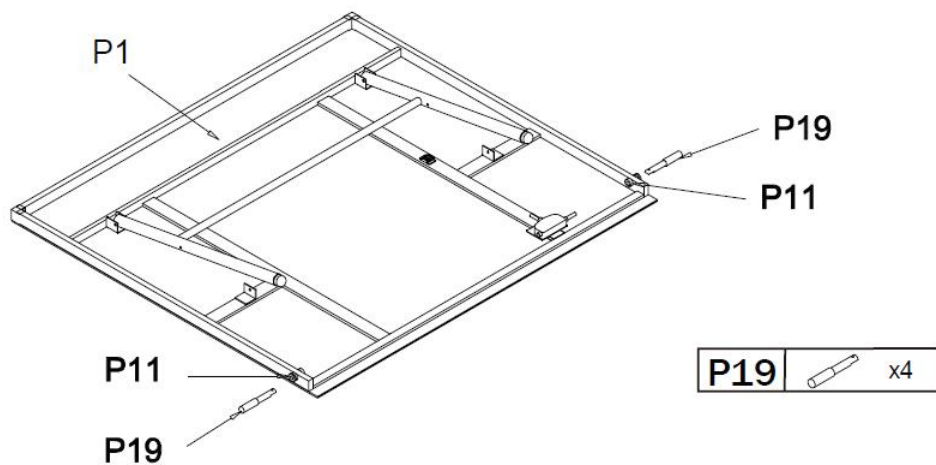
H3		x4
H10		x50
H11		x24
H14		x10

## FIGURE 4

**WARNING: TOW ADULTS NEEDED ASSEMBLE POOL TABLE**

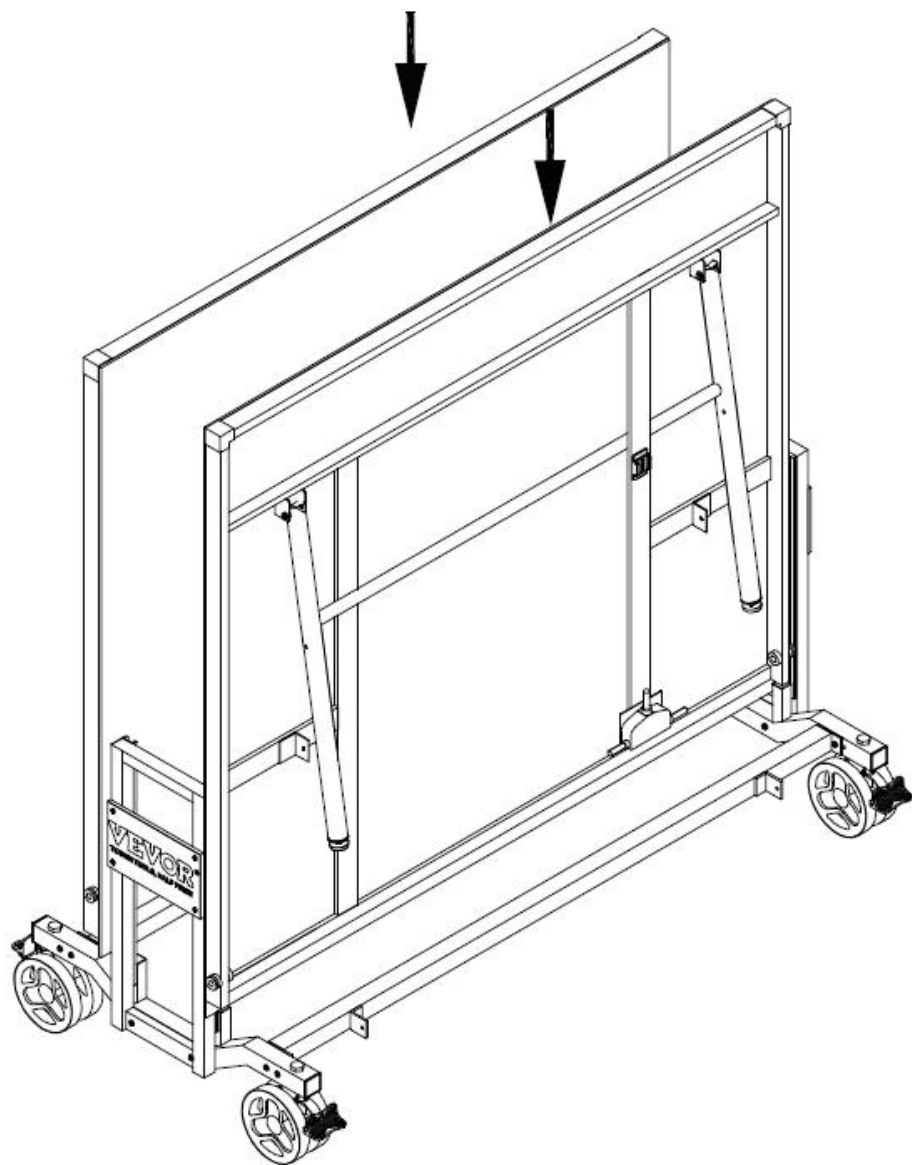


## FIGURE 5



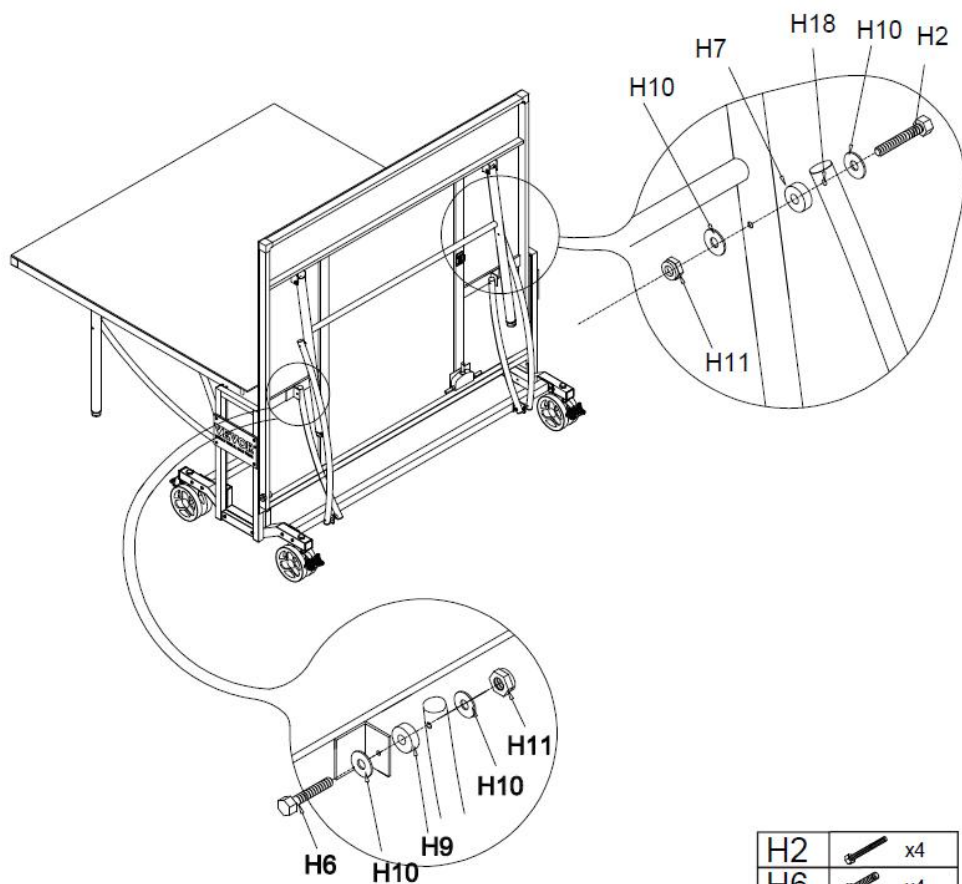
**FIGURE 6**



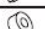
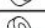



**WARNING: TOW ADULTS NEEDED ASSEMBLE POOL TABLE**



# FIGURE 7

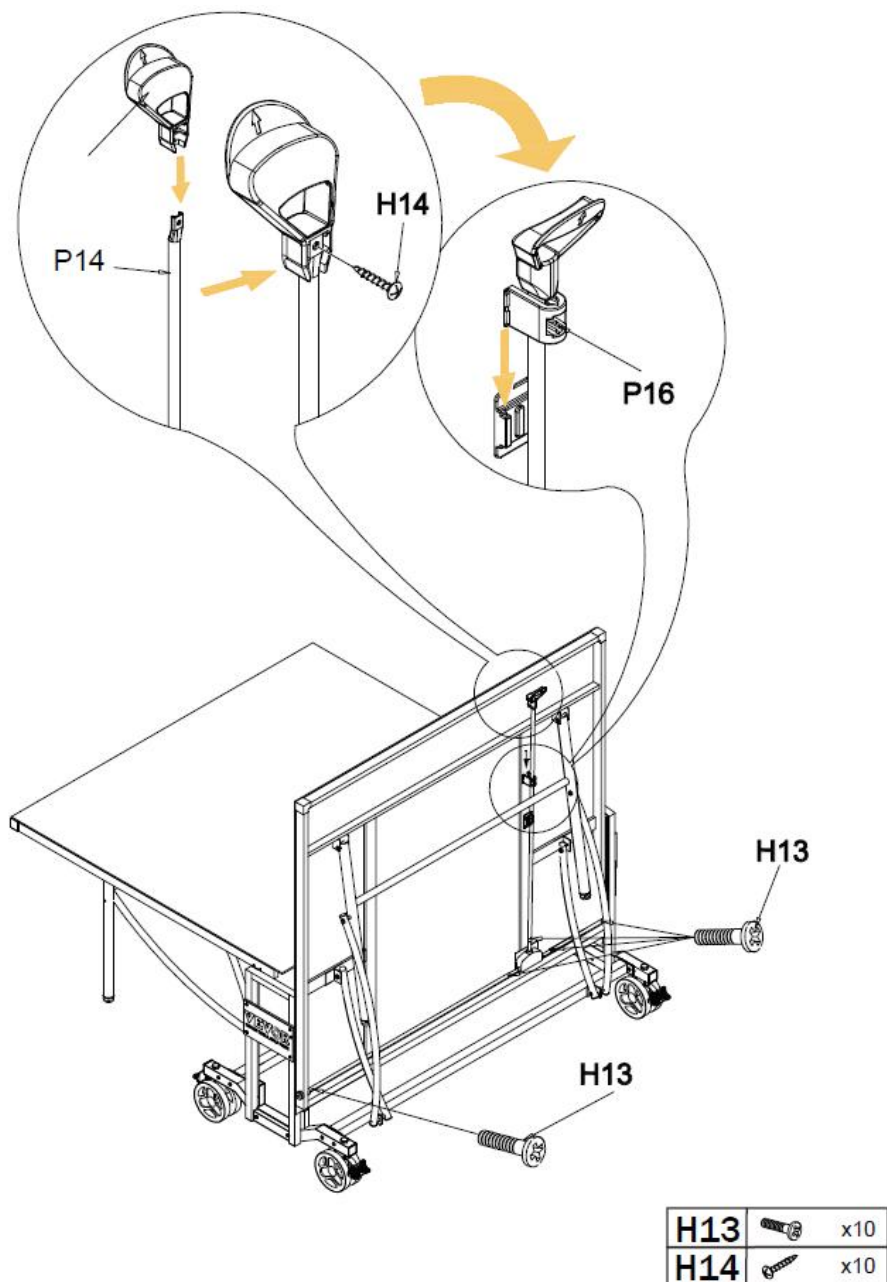
WARNING: TOW ADULTS NEEDED ASSEMBLE POOL TABLE



H2		x4
H6		x4
H7		x4
H9		x4
H10		x48
H11		x24
H18		x4

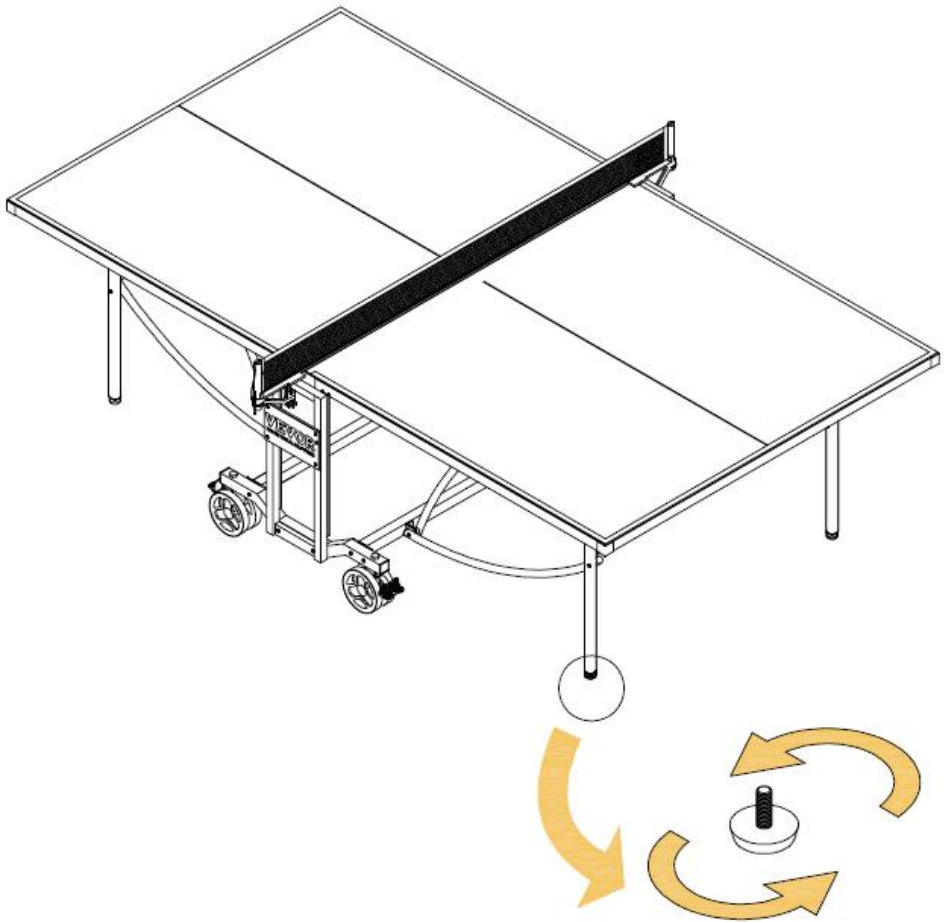
**FIGURE 8**

**WARNING: TOW ADULTS NEEDED ASSEMBLE POOL TABLE**



**FIGURE 9**

**WARNING: TOW ADULTS NEEDED ASSEMBLE POOL TABLE**

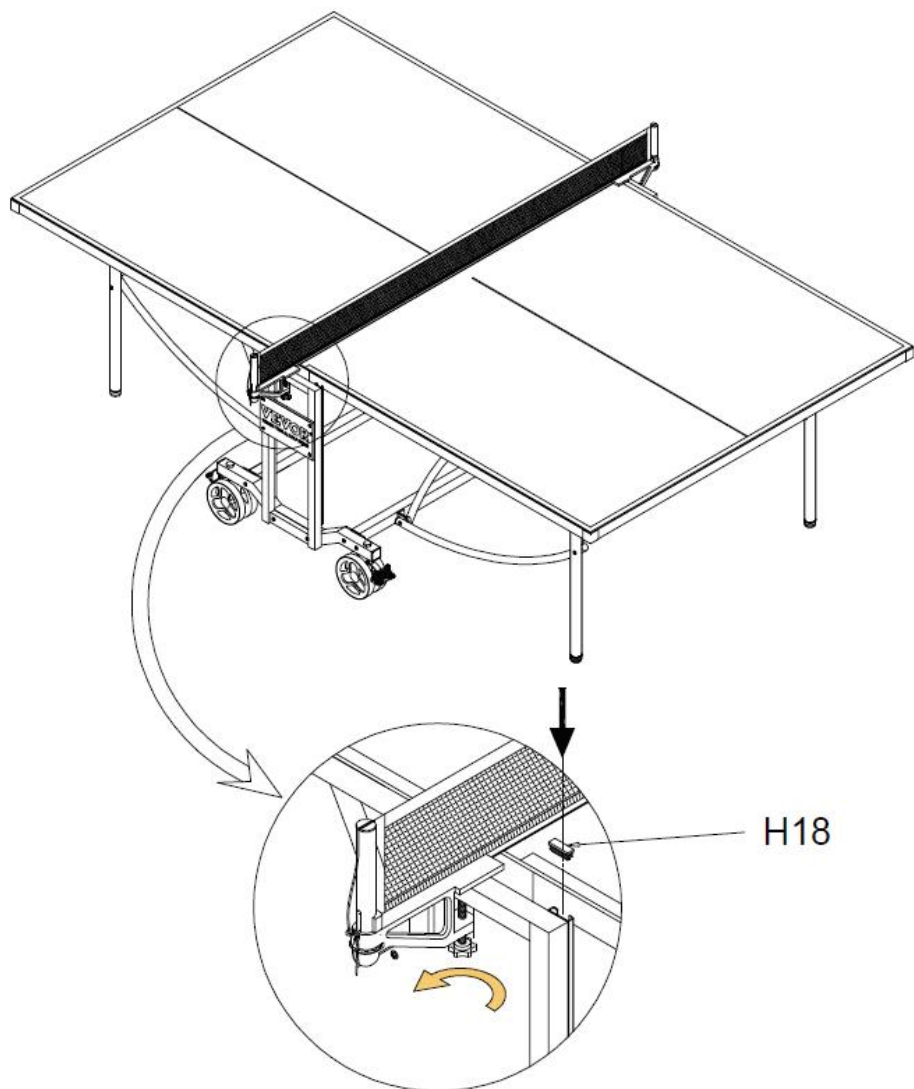


**NOTE:**

When you find that the ground is uneven, you can adjust the height through leg leveler

**FIGURE 10**

**WARNING: TOW ADULTS NEEDED ASSEMBLE POOL TABLE**



H18  x4

**Address:** Shuangchenglu 803nong11hao1602A-1609shi, baoshanqu, shanghai 200000 CN.

**Imported to AUS:** SIHAO PTY LTD, 1 ROKEVA STREET EASTWOOD NSW 2122 Australia

**Imported to USA:** Sanven Technology Ltd., Suite 250, 9166 Anaheim Place, Rancho Cucamonga, CA 91730

<b>EC</b>	<b>REP</b>
-----------	------------

E-CrossStu GmbH  
Mainzer Landstr.69, 60329 Frankfurt am Main.

<b>UK</b>	<b>REP</b>
-----------	------------

YH CONSULTING LIMITED.  
C/O YH Consulting Limited Office 147, Centurion House,  
London Road. Staines-upon-Thames. Surrey. TW18 4AX



**VEVOR<sup>®</sup>**

**TOUGH TOOLS, HALF PRICE**

**Technical Support and E-Warranty Certificate**

**[www.vevor.com/support](http://www.vevor.com/support)**

# **VEVOR<sup>®</sup>**

## **TOUGH TOOLS, HALF PRICE**

Technique Assistance et certificat de garantie électronique

[www.vevor.com/support](http://www.vevor.com/support)

## **TABLE DE PING-PONG EXTÉRIEURE**

**MODÈLE: VT003**

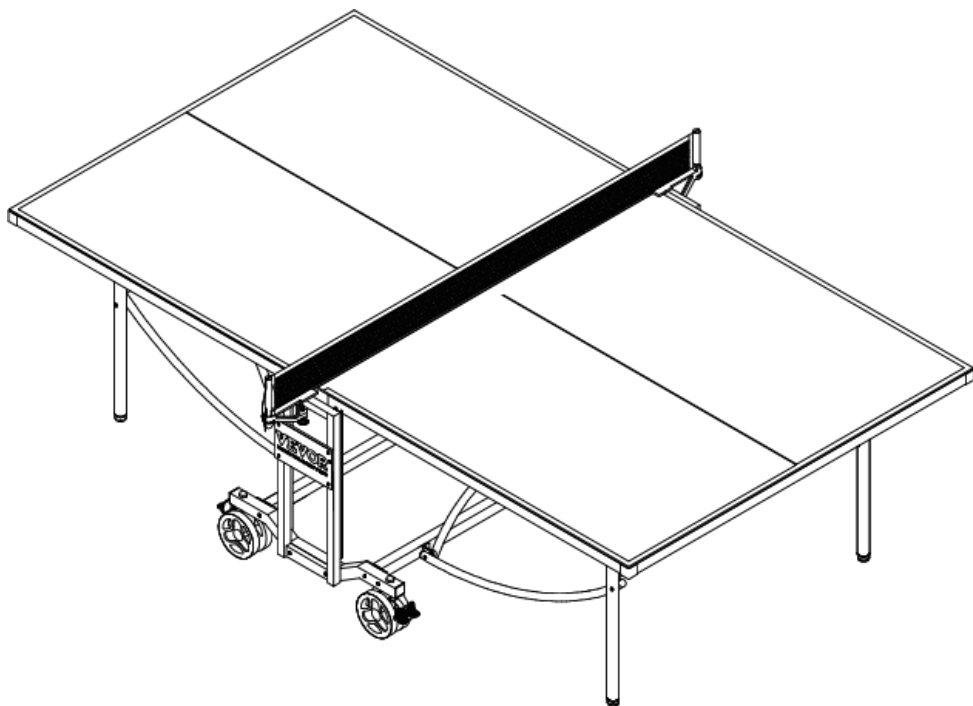
We continue to be committed to provide you tools with competitive price.

"Save Half", "Half Price" or any other similar expressions used by us only represents an estimate of savings you might benefit from buying certain tools with us compared to the major top brands and does not necessarily mean to cover all categories of tools offered by us. You are kindly reminded to verify carefully when you are placing an order with us if you are actually saving half in comparison with the top major brands.

# VEVOR<sup>®</sup>

TOUGH TOOLS, HALF PRICE

OUTDOOR TABLE  
TENNIS TABLE



## NEED HELP? CONTACT US!

Have product questions? Need technical support? Please feel free to contact us:

**Technical Support and E-Warranty Certificate**  
**[www.vevor.com/support](http://www.vevor.com/support)**

This is the original instruction, please read all manual instructions carefully before operating. VEVOR reserves a clear interpretation of our user manual. The appearance of the product shall be subject to the product you received. Please forgive us that we won't inform you again if there are any technology or software updates on our product.

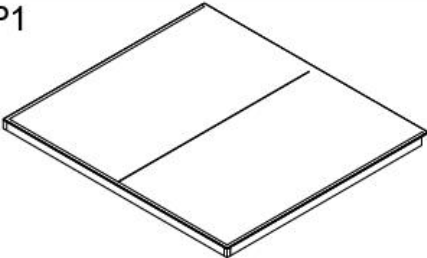



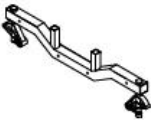













## PRODUCT PARAMETERS

Modèle	Taille du produit (mm)	Lieu d'utilisation	Épaisseur du panneau
VT003	2740X1525X760	Extérieur	6mm




















### Matériel de manutention et entretien

6. Assurez-vous que la table de ping-pong est entièrement et précisément assemblée avant utilisation.
7. La table ne doit pas être déplacée, assemblée ou rangée par des enfants sans la surveillance d'un adulte.
8. Installez la table sur une surface plane.
9. Ne le recouvrez pas de film plastique car de la condensation pourrait se former en dessous.
10. N'utilisez pas de matériaux corrosifs ou abrasifs pour nettoyer l'équipement car cela pourrait endommager les surfaces de la table. Dans la plupart des cas, un chiffon légèrement humide suffit .

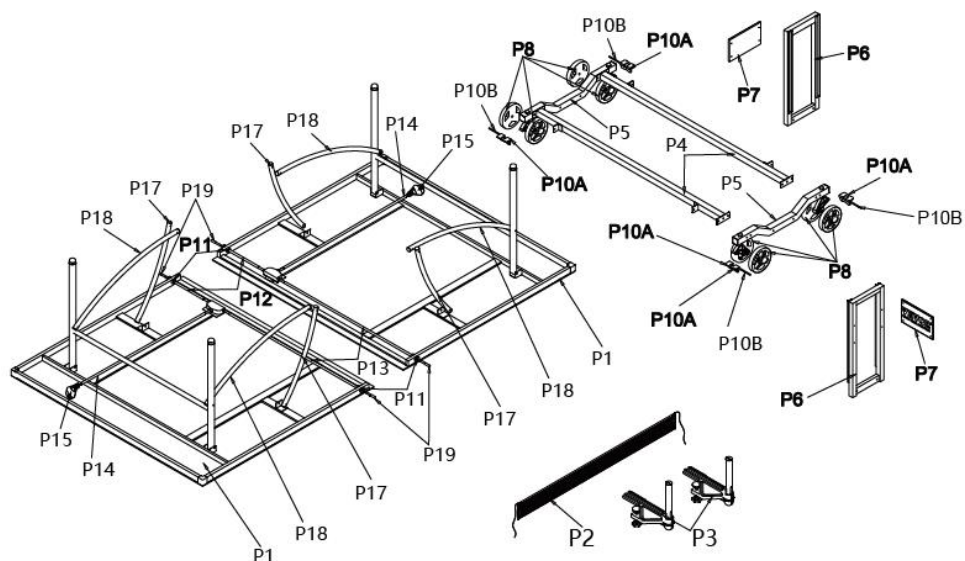
## PARTS IDENTIFIER

<p>P1</p>  <p>Table Tennis Top</p> <p>x2pcs</p>	<p>P2</p>  <p>Table Tennis Net</p> <p>x1pc</p>	<p>P3</p>  <p>Table Tennis Post</p> <p>x2pcs</p>
<p>P4</p>  <p>Connecti</p> <p>x2pcs</p>	<p>P5</p>  <p>Chassis</p> <p>x2pcs</p>	<p>P6</p>  <p>Side panel border</p> <p>x2pcs</p>
<p>P7</p>  <p>Poster board</p> <p>x2pcs</p>	<p>P8</p>  <p>Wheel</p> <p>x4set</p>	<p>P9</p>  <p>Wheel cover</p> <p>x8pcs</p>
<p>P10</p>  <p>P10B P10A</p> <p>Wheel brake pads</p> <p>x4set</p>	<p>P11</p>  <p>Sliding groove plastic screw</p> <p>x4set</p>	<p>P12</p>  <p>Circular tube</p> <p>x2pcs</p>
<p>P13</p>  <p>Circular tube</p> <p>x2pcs</p>	<p>P14</p>  <p>Circular tube</p> <p>x2pcs</p>	<p>P15</p>  <p>Handlebar</p> <p>x2pcs</p>
<p>P16</p>  <p>Plastic card slot</p> <p>x2pcs</p>	<p>P17</p>  <p>Circular tube</p> <p>x4pcs</p>	<p>P18</p>  <p>Circular tube</p> <p>x4pcs</p>

## PARTS IDENTIFIER

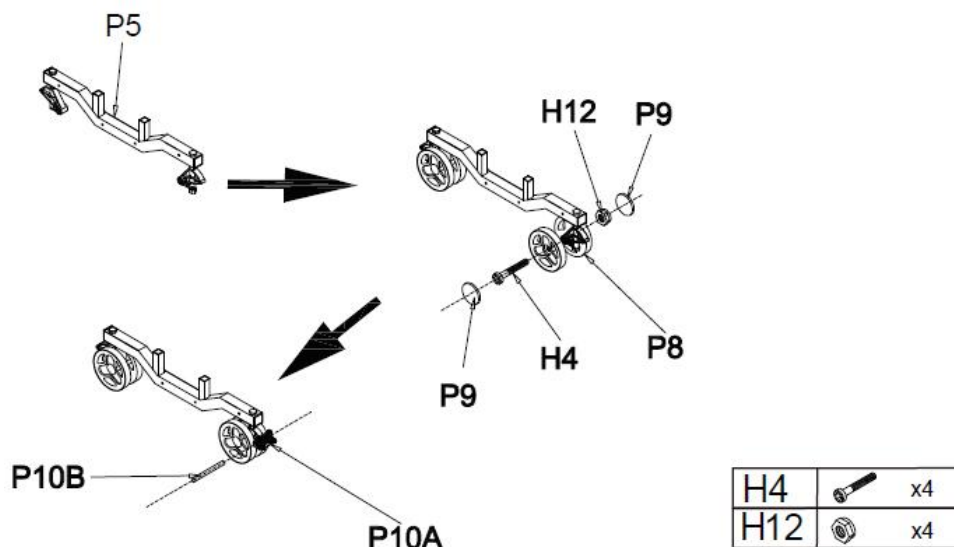
<p><b>P19</b></p>  <p>Latch</p> <p style="text-align: right;">x4pcs</p>	<p><b>H1</b></p>  <p>M6x90 Bolt</p> <p style="text-align: right;">x4pcs</p>	<p><b>H2</b></p>  <p>M6x85 Bolt</p> <p style="text-align: right;">x4pcs</p>
<p><b>H3</b></p>  <p>M6x70 Bolt</p> <p style="text-align: right;">x4pcs</p>	<p><b>H4</b></p>  <p>M8x60 Bolt</p> <p style="text-align: right;">x4pcs</p>	<p><b>H5</b></p>  <p>M6x55 Bolt</p> <p style="text-align: right;">x8pcs</p>
<p><b>H6</b></p>  <p>M8x45 Bolt</p> <p style="text-align: right;">x4pcs</p>	<p><b>H7</b></p>  <p>M8*Ø16*8 Plastic washer</p> <p style="text-align: right;">x4pcs</p>	<p><b>H8</b></p>  <p>M8*Ø16*13 Plastic washer</p> <p style="text-align: right;">x8pcs</p>
<p><b>H9</b></p>  <p>M8*Ø16*4 Plastic washer</p> <p style="text-align: right;">x4pcs</p>	<p><b>H10</b></p>  <p>M6*Ø12*2 Plastic washer</p> <p style="text-align: right;">x48pcs</p>	<p><b>H11</b></p>  <p>M6 Lock Nut</p> <p style="text-align: right;">x24pcs</p>
<p><b>H12</b></p>  <p>M8 Lock Nut</p> <p style="text-align: right;">x4pcs</p>	<p><b>H13</b></p>  <p>M3*8 Screw</p> <p style="text-align: right;">x10pcs</p>	<p><b>H14</b></p>  <p>4x25mm Screw</p> <p style="text-align: right;">x10pcs</p>
<p><b>H15</b></p>  <p>M6L Tool</p> <p style="text-align: right;">x1pc</p>	<p><b>H16</b></p>  <p>M4L Tool</p> <p style="text-align: right;">x1pc</p>	<p><b>H17</b></p>  <p>Open end wrench</p> <p style="text-align: right;">x2pcs</p>
<p><b>H18</b></p>  <p>Plastic cover</p> <p style="text-align: right;">x4pcs</p>		

## Product breakdown diagram



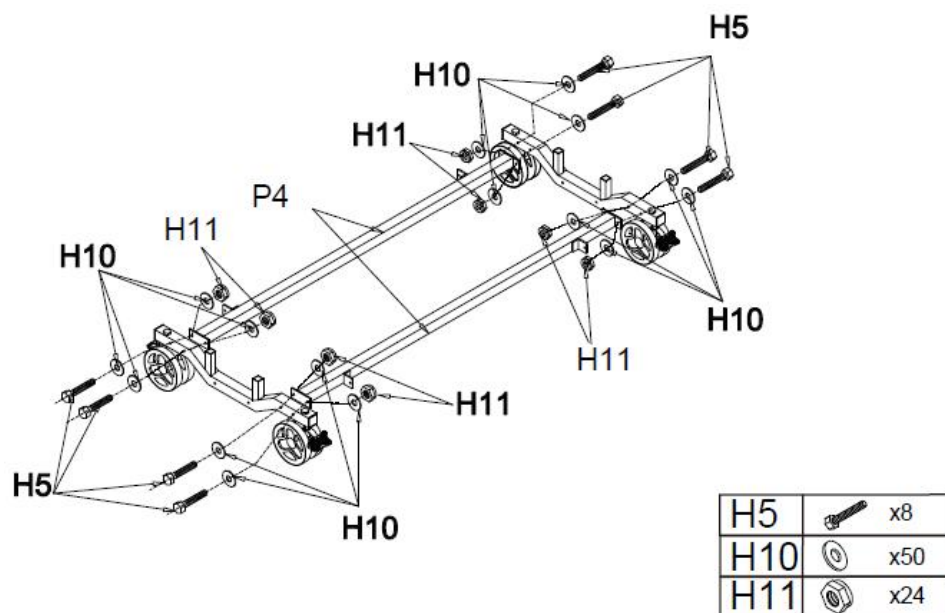
**FIGURE 1**

**AVERTISSEMENT : DES ADULTES DE REMORQUAGE NÉCESSAIRES ASSEMBLENT LA TABLE DE BILLARD**

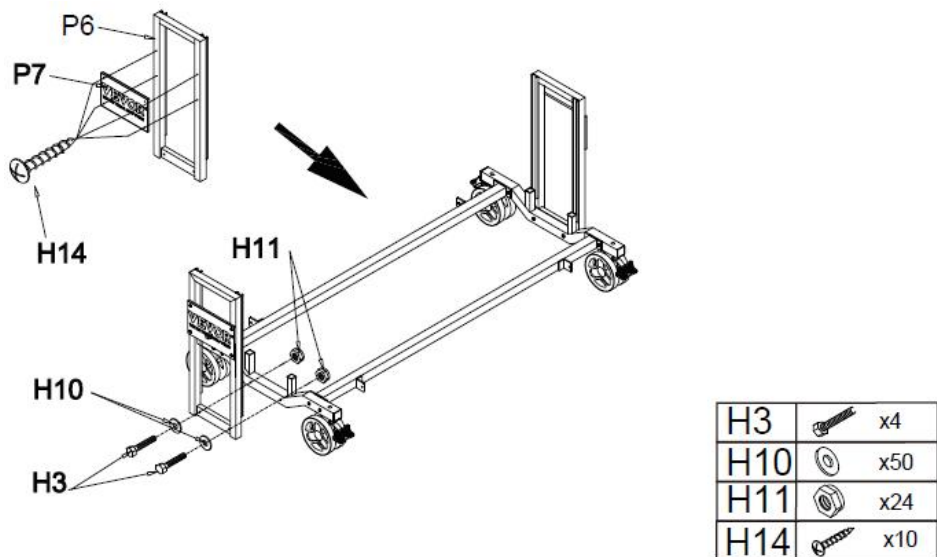


**FIGURE 2**

AVERTISSEMENT : DES ADULTES DE REMORQUAGE NÉCESSAIRES  
ASSEMBLENT LA TABLE DE BILLARD

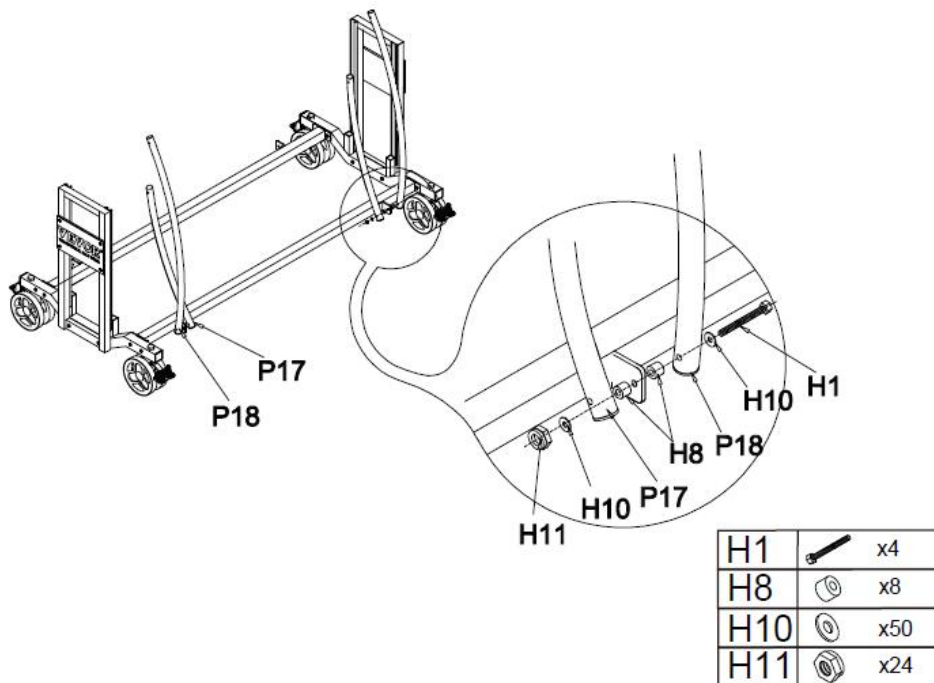


**FIGURE 3**

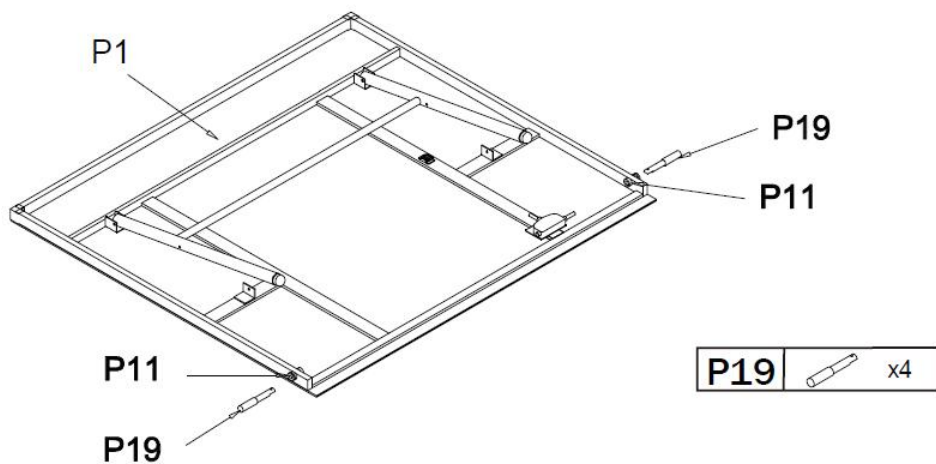


**FIGURE 4**

**AVERTISSEMENT : DES ADULTES DE REMORQUAGE NÉCESSAIRES  
ASSEMBLENT LA TABLE DE BILLARD**



**FIGURE 5**



**FIGURE 6**

**AVERTISSEMENT : DES ADULTES DE REMORQUAGE NÉCESSAIRES**

ASSEMBLENT LA TABLE DE BILLARD

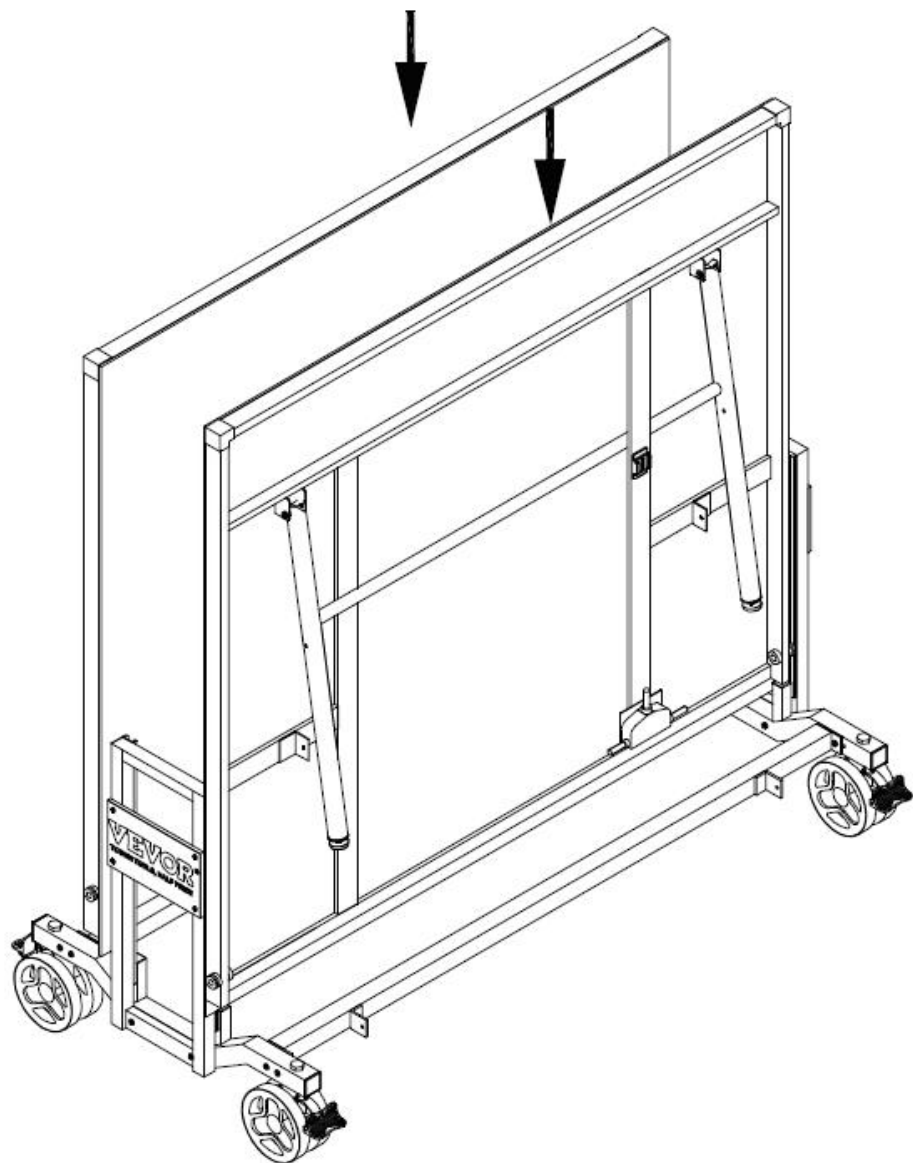
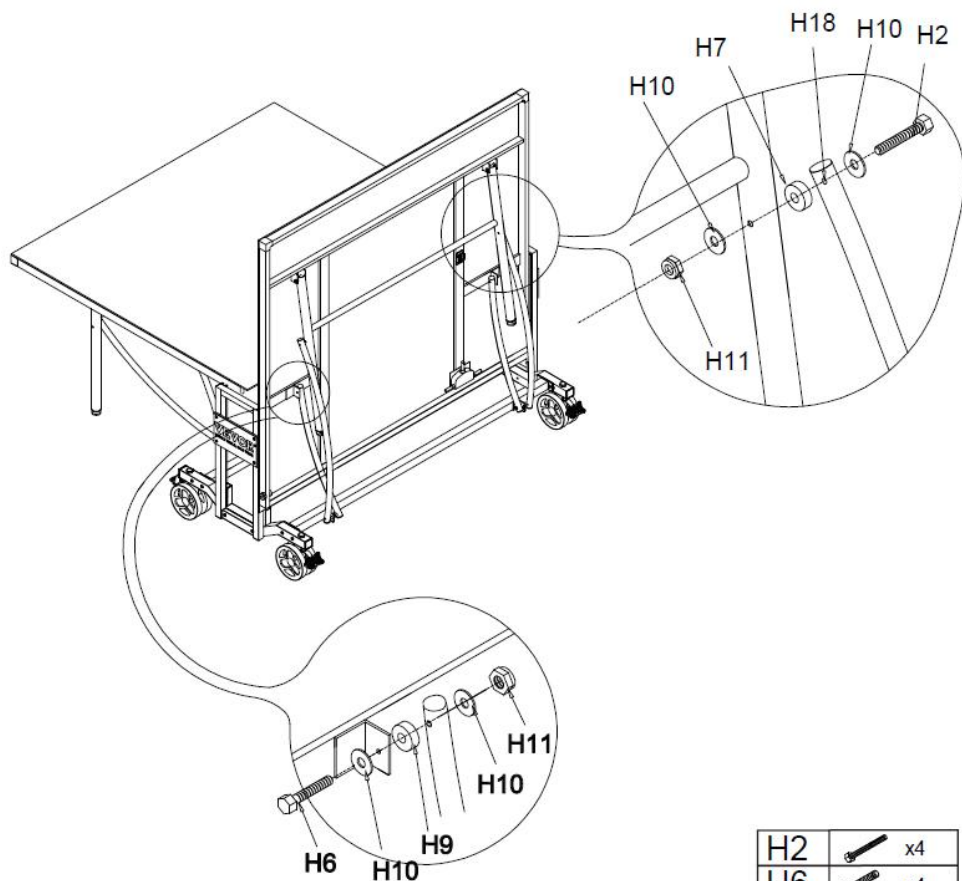






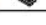


FIGURE 7

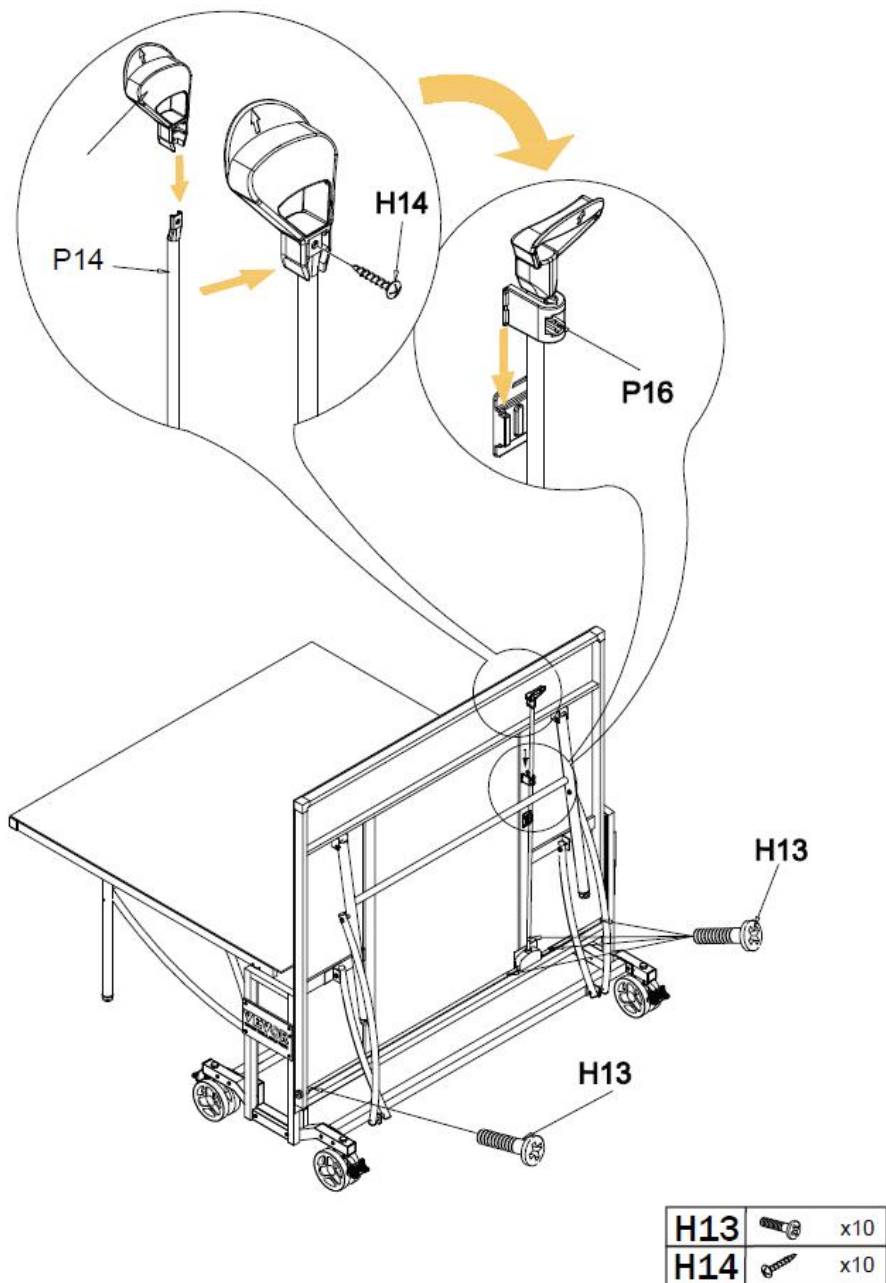
AVERTISSEMENT : DES ADULTES DE REMORQUAGE NÉCESSAIRES  
 ASSEMBLENT LA TABLE DE BILLARD



H2		x4
H6		x4
H7		x4
H9		x4
H10		x48
H11		x24
H18		x4

## FIGURE 8

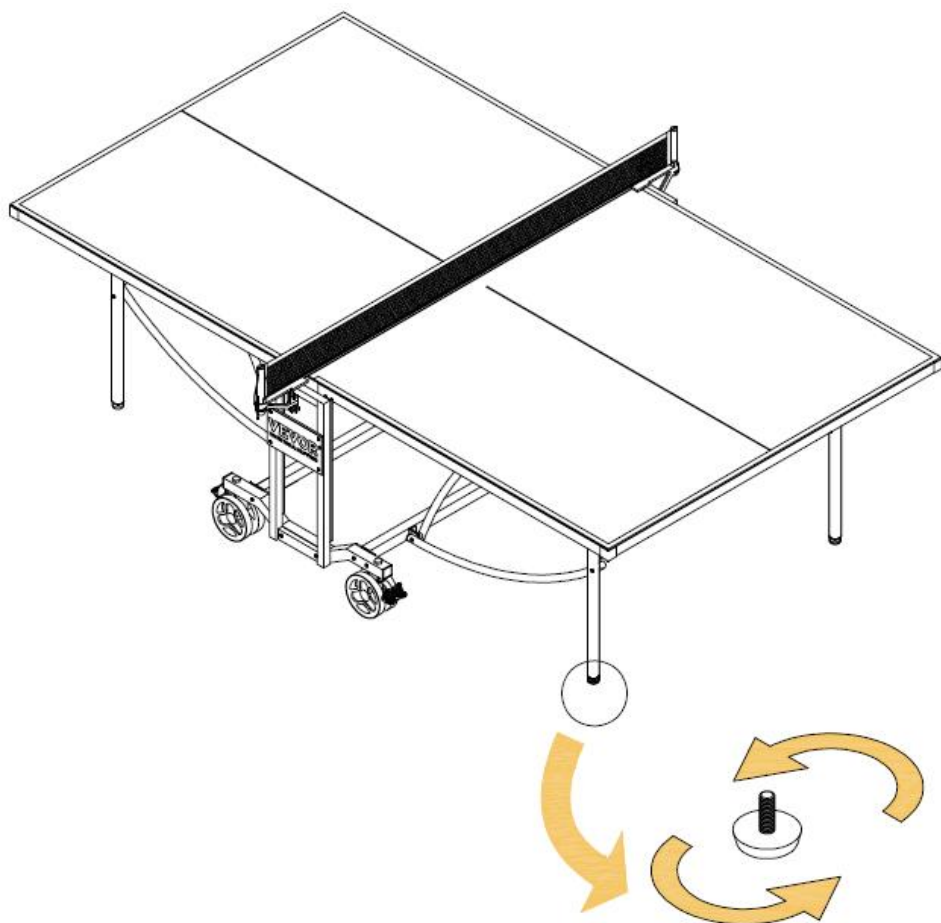
AVERTISSEMENT : DES ADULTES DE REMORQUAGE NÉCESSAIRES  
ASSEMBLENT LA TABLE DE BILLARD



**FIGURE 9**

**AVERTISSEMENT : DES ADULTES DE REMORQUAGE NÉCESSAIRES**

## ASSEMBLENT LA TABLE DE BILLARD



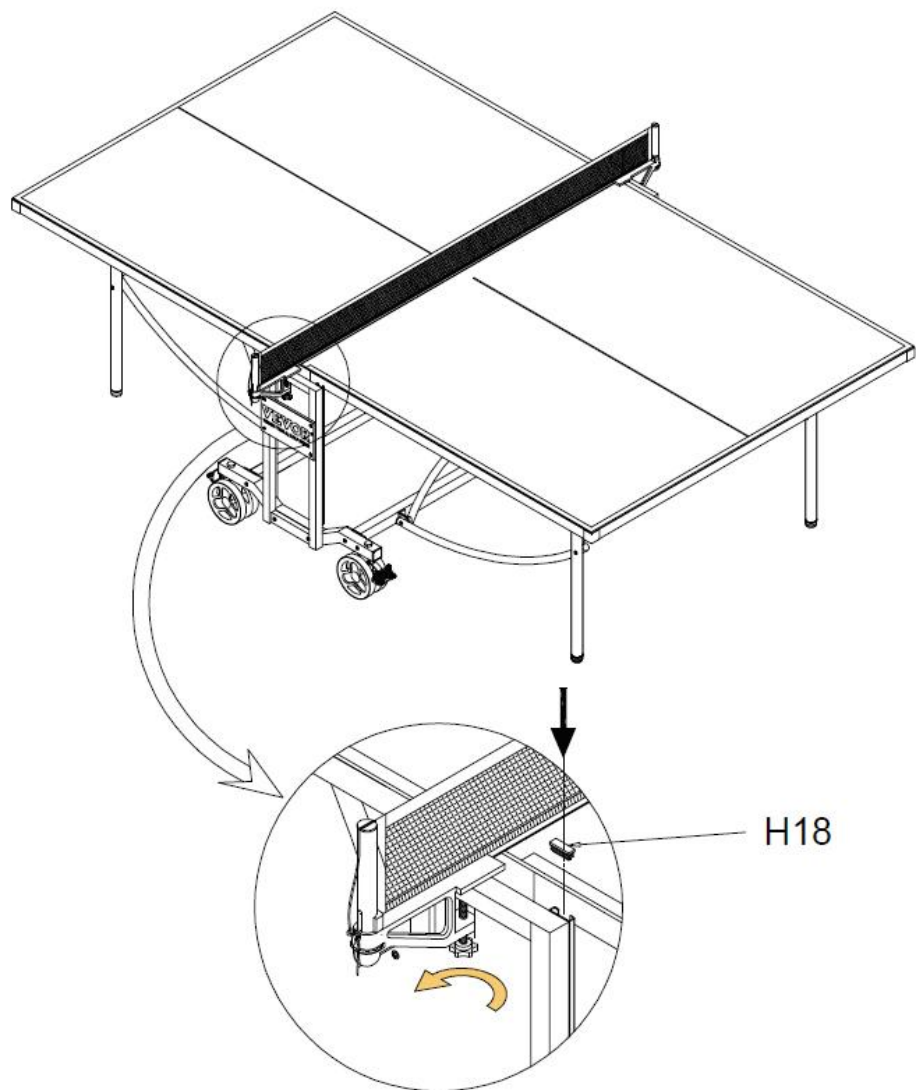
### NOTE:

Lorsque vous constatez que le sol est inégal, vous pouvez régler la hauteur grâce au niveleur de pieds.

**FIGURE 10**

**AVERTISSEMENT : DES ADULTES DE REMORQUAGE NÉCESSAIRES**

## ASSEMBLENT LA TABLE DE BILLARD



H18		x4
-----	---	----

**Adresse** : Shuangchenglu 803nong11hao1602A-1609shi, baoshanqu, Shanghai 200000 CN.

**Importé en Australie** : SIHAO PTY LTD, 1 ROKEVA STREETASTWOOD NSW 2122 Australie

**Importé aux États-Unis** : Sanven Technology Ltd., Suite 250, 9166 Anaheim Place, Rancho Cucamonga, CA 91730

<b>EC</b>	<b>REP</b>
-----------	------------

E-CrossStu GmbH  
Mainzer Landstr.69, 60329 Frankfurt am Main.

<b>UK</b>	<b>REP</b>
-----------	------------

YH CONSULTING LIMITED.  
C/O YH Consulting Limited Office 147, Centurion House,  
London Road. Staines-upon-Thames. Surrey. TW18 4AX



**VEVOR<sup>®</sup>**

**TOUGH TOOLS, HALF PRICE**

**Technique Assistance et certificat de garantie électronique**

**[www.vevor.com/support](http://www.vevor.com/support)**

# **VEVOR<sup>®</sup>**

## **TOUGH TOOLS, HALF PRICE**

Technisch Support und E-Garantie-Zertifikat

[www.vevor.com/support](http://www.vevor.com/support)

## **TISCHTENNISPLATTE FÜR DRAUßEN**

**MODELL: VT003**

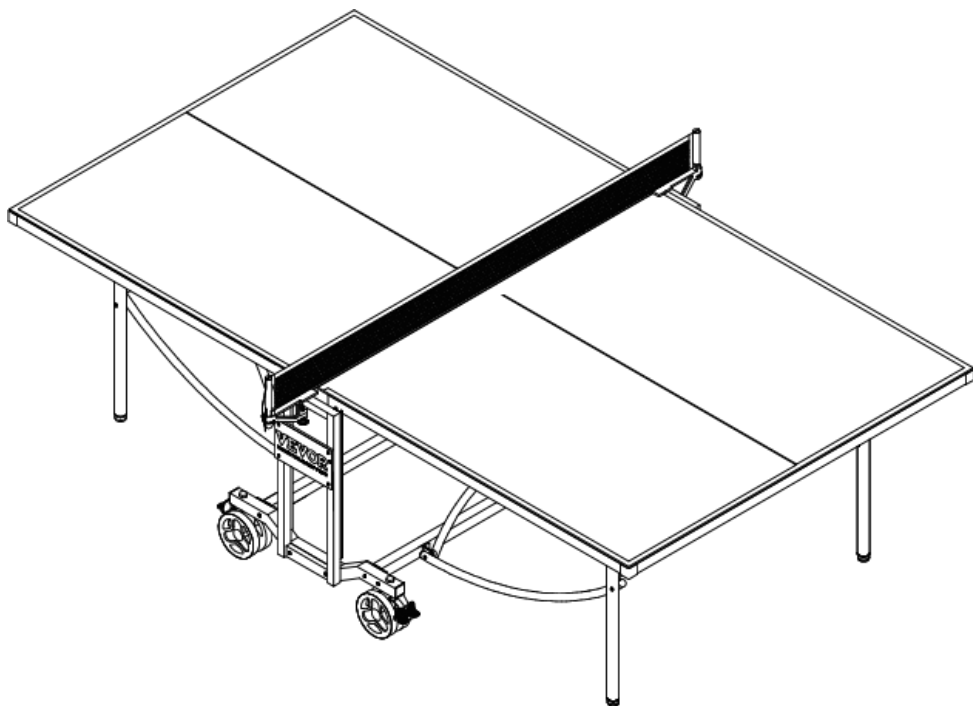
We continue to be committed to provide you tools with competitive price.

"Save Half", "Half Price" or any other similar expressions used by us only represents an estimate of savings you might benefit from buying certain tools with us compared to the major top brands and does not necessarily mean to cover all categories of tools offered by us. You are kindly reminded to verify carefully when you are placing an order with us if you are actually saving half in comparison with the top major brands.

# VEVOR®

TOUGH TOOLS, HALF PRICE

OUTDOOR TABLE  
TENNIS TABLE



## NEED HELP? CONTACT US!

Have product questions? Need technical support? Please feel free to contact us:

**Technical Support and E-Warranty Certificate**  
**[www.vevor.com/support](http://www.vevor.com/support)**

This is the original instruction, please read all manual instructions carefully before operating. VEVOR reserves a clear interpretation of our user manual. The appearance of the product shall be subject to the product you received. Please forgive us that we won't inform you again if there are any technology or software updates on our product.

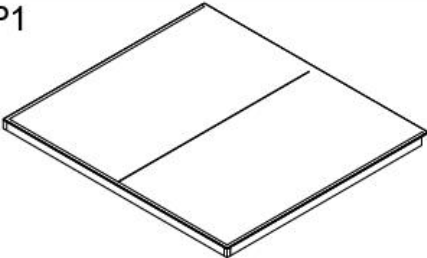



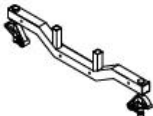












## PRODUCT PARAMETERS

Modell	Produktgröße (mm)	Einsatzort	Plattendicke
VT003	2740X1525X760	Draussen	6 mm




















### Handhabungsgeräte und Wartung

11. Stellen Sie vor der Verwendung sicher, dass die Tischtennisplatte vollständig und sorgfältig zusammengebaut ist.
12. Der Tisch darf von Kindern nicht ohne Aufsicht eines Erwachsenen bewegt, zusammengebaut oder verstaut werden.
13. Stellen Sie den Tisch auf eine ebene Fläche.
14. Decken Sie es nicht mit Plastikfolie ab, da sich darunter Kondenswasser bilden kann.
15. Verwenden Sie zum Reinigen des Geräts keine ätzenden oder scheuernden Mittel, da diese die Tischoberflächen beschädigen können. In den meisten Fällen reicht ein leicht angefeuchtetes Tuch aus .

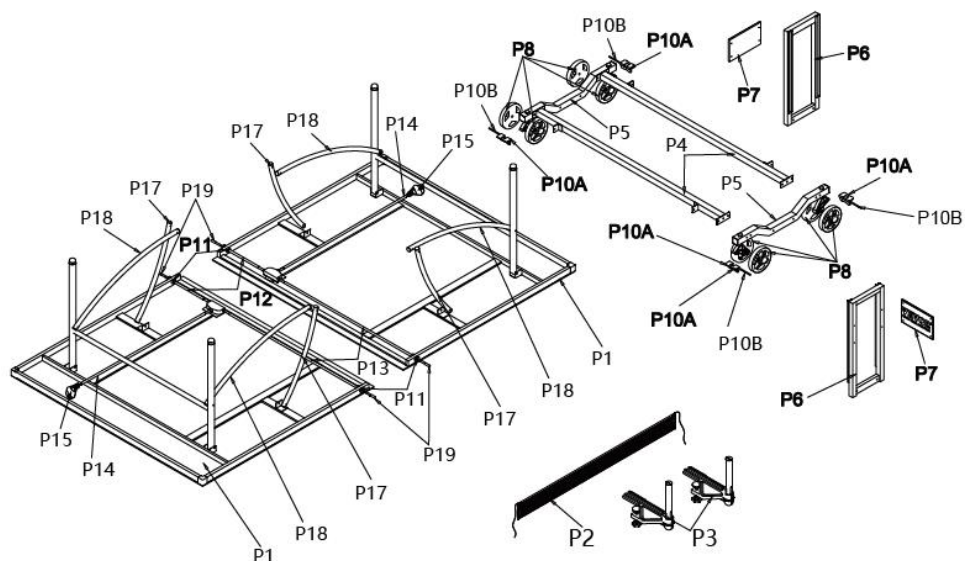
## PARTS IDENTIFIER

<p>P1</p>  <p>Table Tennis Top</p> <p>x2pcs</p>	<p>P2</p>  <p>Table Tennis Net</p> <p>x1pc</p>	<p>P3</p>  <p>Table Tennis Post</p> <p>x2pcs</p>
<p>P4</p>  <p>Connecti</p> <p>x2pcs</p>	<p>P5</p>  <p>Chassis</p> <p>x2pcs</p>	<p>P6</p>  <p>Side panel border</p> <p>x2pcs</p>
<p>P7</p>  <p>Poster board</p> <p>x2pcs</p>	<p>P8</p>  <p>Wheel</p> <p>x4set</p>	<p>P9</p>  <p>Wheel cover</p> <p>x8pcs</p>
<p>P10</p>  <p>P10B P10A</p> <p>Wheel brake pads</p> <p>x4set</p>	<p>P11</p>  <p>Sliding groove plastic screw</p> <p>x4set</p>	<p>P12</p>  <p>Circular tube</p> <p>x2pcs</p>
<p>P13</p>  <p>Circular tube</p> <p>x2pcs</p>	<p>P14</p>  <p>Circular tube</p> <p>x2pcs</p>	<p>P15</p>  <p>Handlebar</p> <p>x2pcs</p>
<p>P16</p>  <p>Plastic card slot</p> <p>x2pcs</p>	<p>P17</p>  <p>Circular tube</p> <p>x4pcs</p>	<p>P18</p>  <p>Circular tube</p> <p>x4pcs</p>

## PARTS IDENTIFIER

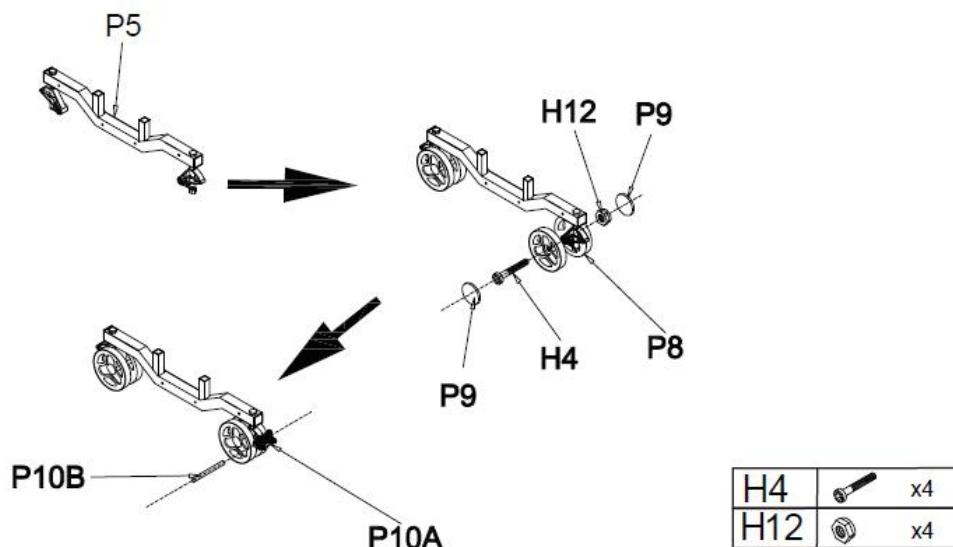
<p><b>P19</b></p>  <p>Latch</p> <p style="text-align: right;">x4pcs</p>	<p><b>H1</b></p>  <p>M6x90 Bolt</p> <p style="text-align: right;">x4pcs</p>	<p><b>H2</b></p>  <p>M6x85 Bolt</p> <p style="text-align: right;">x4pcs</p>
<p><b>H3</b></p>  <p>M6x70 Bolt</p> <p style="text-align: right;">x4pcs</p>	<p><b>H4</b></p>  <p>M8x60 Bolt</p> <p style="text-align: right;">x4pcs</p>	<p><b>H5</b></p>  <p>M6x55 Bolt</p> <p style="text-align: right;">x8pcs</p>
<p><b>H6</b></p>  <p>M8x45 Bolt</p> <p style="text-align: right;">x4pcs</p>	<p><b>H7</b></p>  <p>M8*Ø16*8 Plastic washer</p> <p style="text-align: right;">x4pcs</p>	<p><b>H8</b></p>  <p>M8*Ø16*13 Plastic washer</p> <p style="text-align: right;">x8pcs</p>
<p><b>H9</b></p>  <p>M8*Ø16*4 Plastic washer</p> <p style="text-align: right;">x4pcs</p>	<p><b>H10</b></p>  <p>M6*Ø12*2 Plastic washer</p> <p style="text-align: right;">x48pcs</p>	<p><b>H11</b></p>  <p>M6 Lock Nut</p> <p style="text-align: right;">x24pcs</p>
<p><b>H12</b></p>  <p>M8 Lock Nut</p> <p style="text-align: right;">x4pcs</p>	<p><b>H13</b></p>  <p>M3*8 Screw</p> <p style="text-align: right;">x10pcs</p>	<p><b>H14</b></p>  <p>4x25mm Screw</p> <p style="text-align: right;">x10pcs</p>
<p><b>H15</b></p>  <p>M6L Tool</p> <p style="text-align: right;">x1pc</p>	<p><b>H16</b></p>  <p>M4L Tool</p> <p style="text-align: right;">x1pc</p>	<p><b>H17</b></p>  <p>Open end wrench</p> <p style="text-align: right;">x2pcs</p>
<p><b>H18</b></p>  <p>Plastic cover</p> <p style="text-align: right;">x4pcs</p>		

## Product breakdown diagram



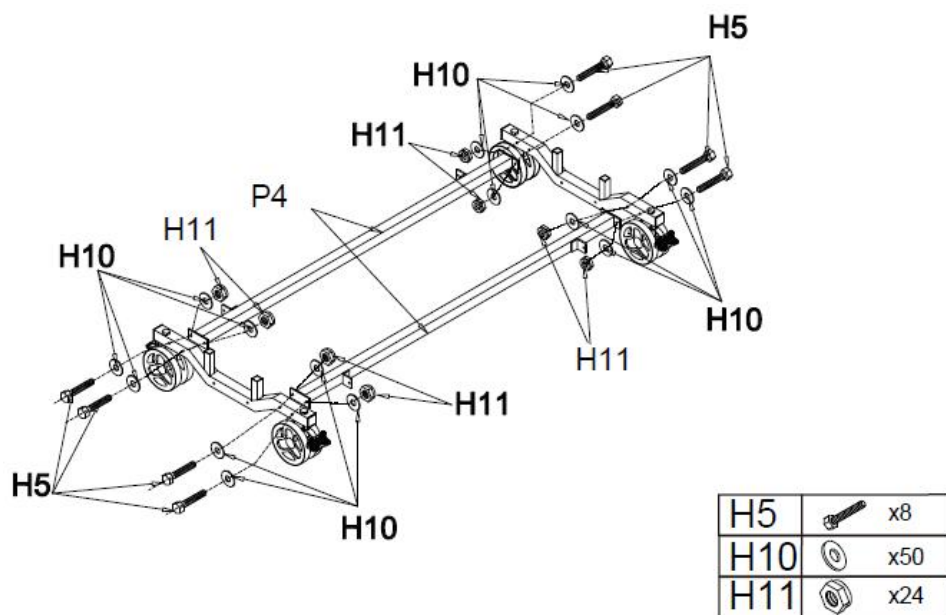
**FIGURE 1**

**ACHTUNG: ZUM AUFBAU DES BILLARDTISCHES WERDEN ZWEI ERWACHSENE BENÖTIGT**

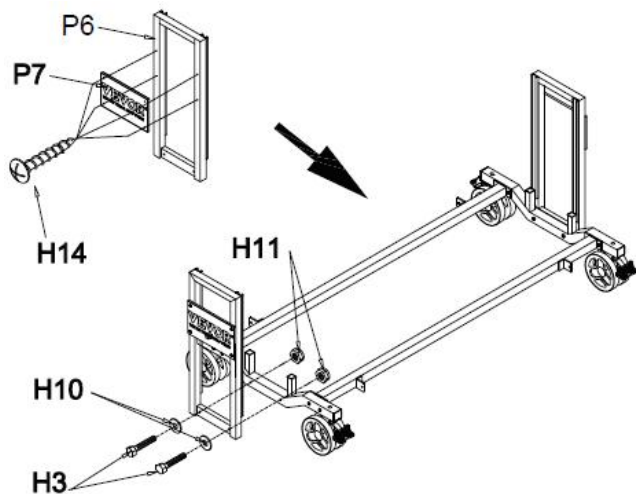






**FIGURE 2**

ACHTUNG: ZUM AUFBAU DES BILLARDTISCHES WERDEN ZWEI ERWACHSENE BENÖTIGT



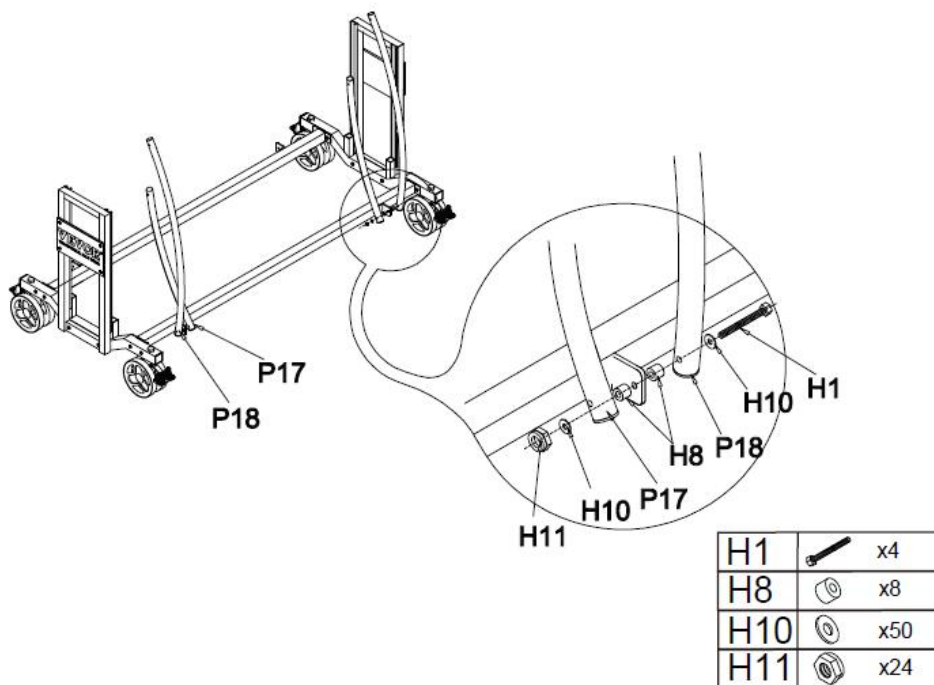
**FIGURE 3**



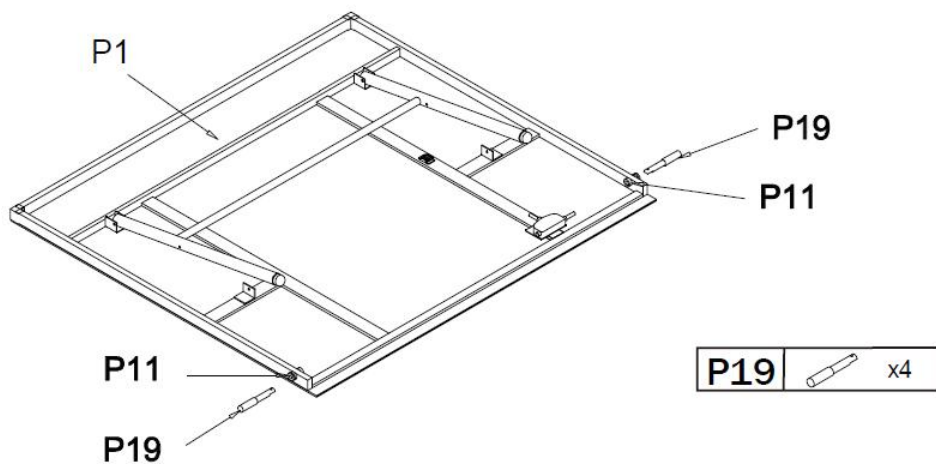
H3		x4
H10		x50
H11		x24
H14		x10

**FIGURE 4**

**ACHTUNG: ZUM AUFBAU DES BILLARDTISCHES WERDEN ZWEI ERWACHSENE BENÖTIGT**



**FIGURE 5**



**FIGURE 6**

**ACHTUNG: ZUM AUFBAU DES BILLARDTISCHES WERDEN ZWEI**

ERWACHSENE BENÖTIGT

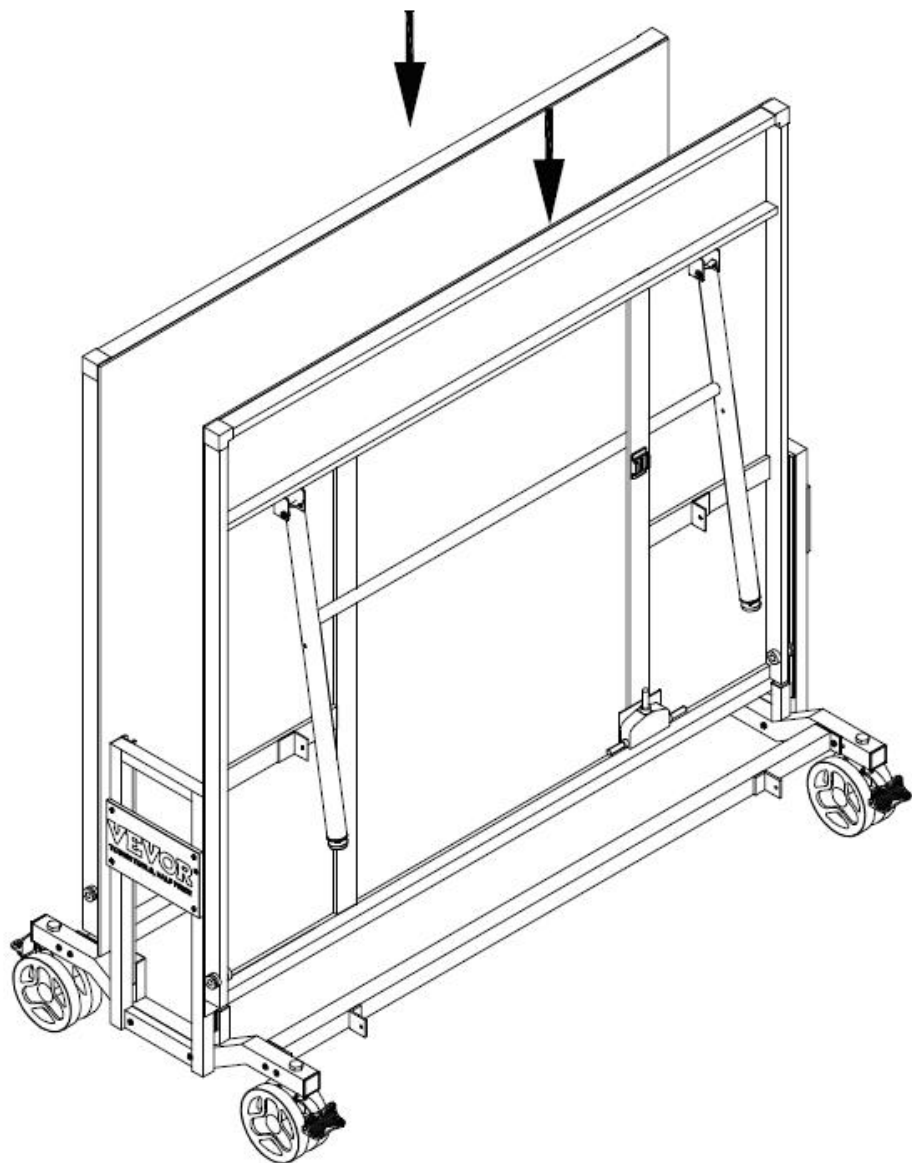
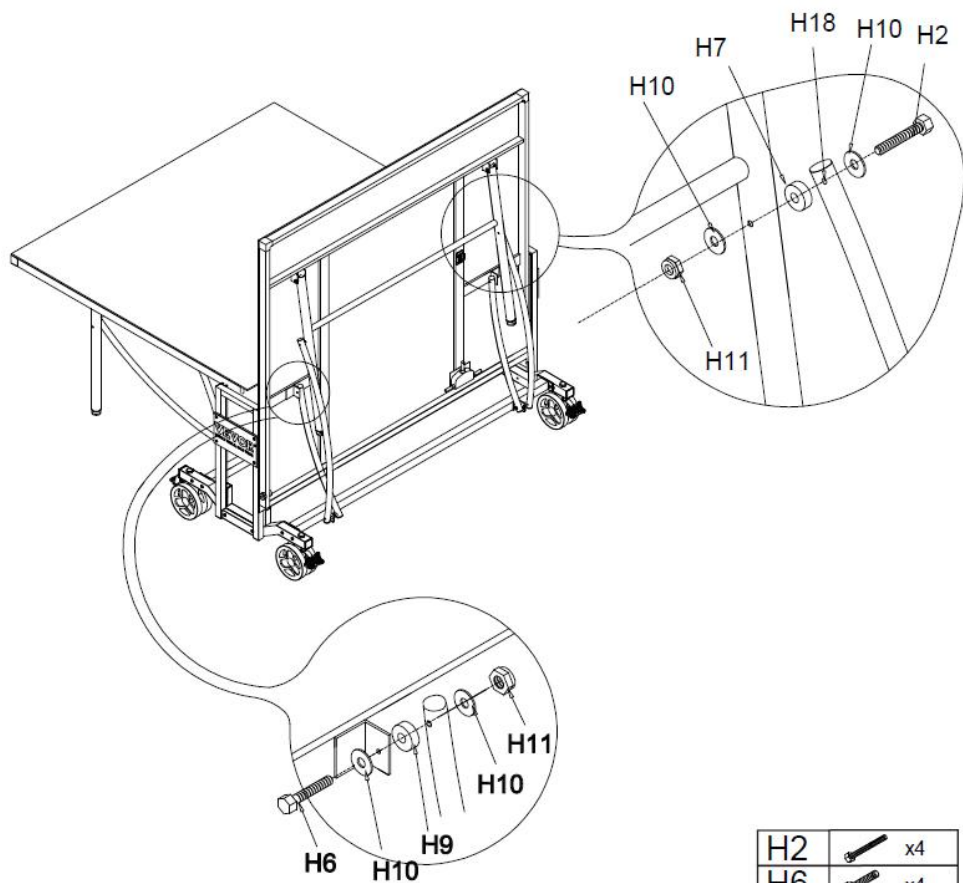






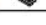


FIGURE 7

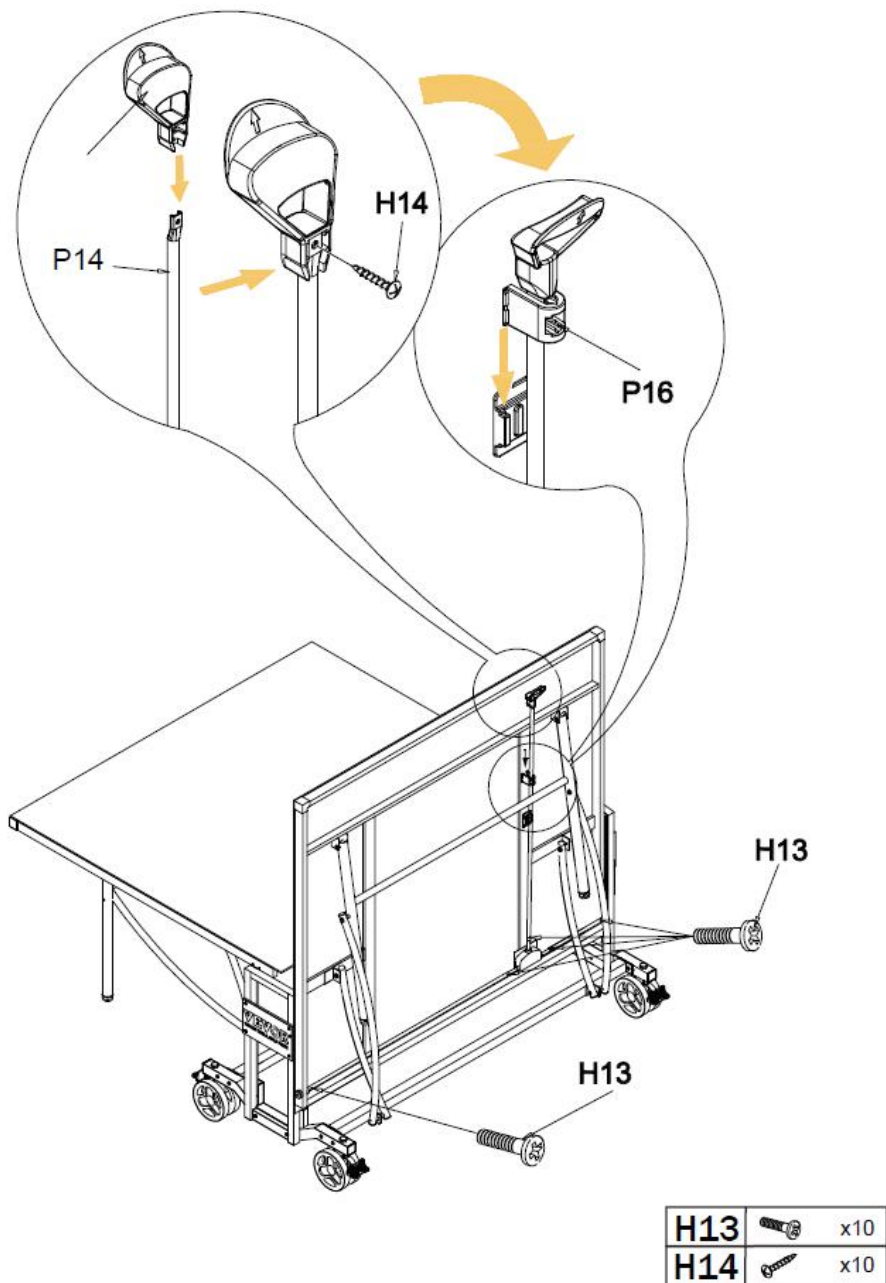
ACHTUNG: ZUM AUFBAU DES BILLARDTISCHES WERDEN ZWEI ERWACHSENE BENÖTIGT



H2		x4
H6		x4
H7		x4
H9		x4
H10		x48
H11		x24
H18		x4

## FIGURE 8

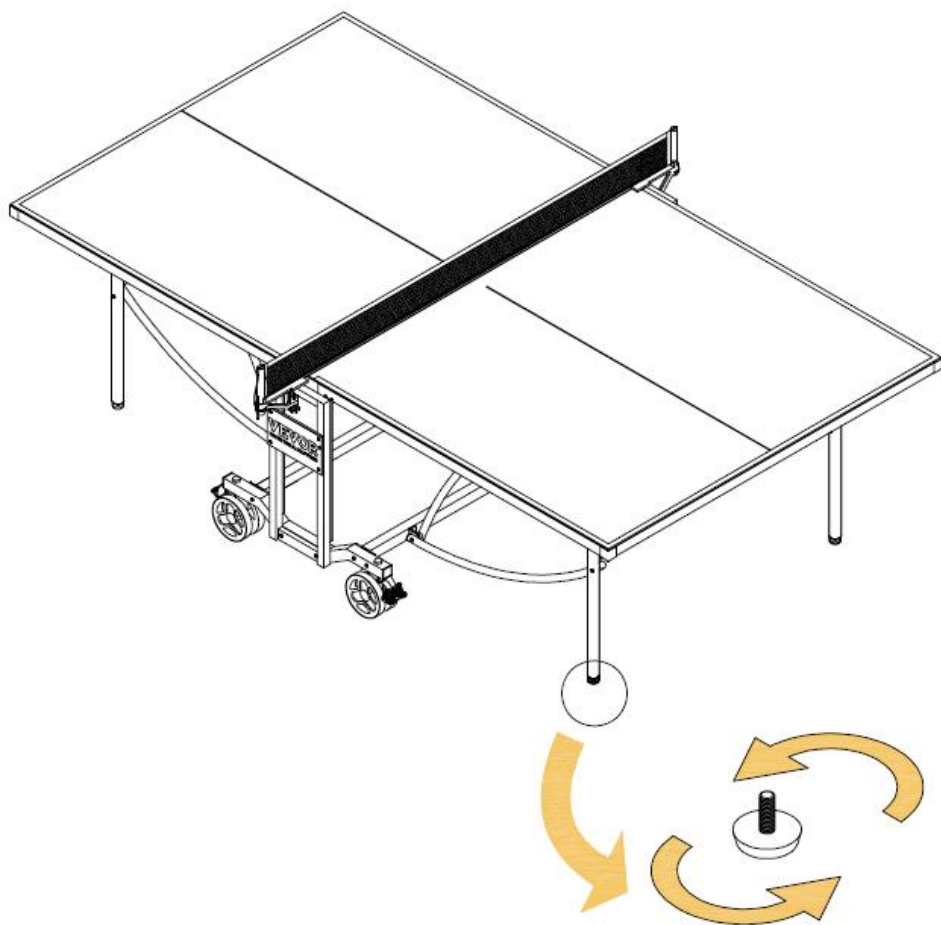
ACHTUNG: ZUM AUFBAU DES BILLARDTISCHES WERDEN ZWEI ERWACHSENE BENÖTIGT



**FIGURE 9**

ACHTUNG: ZUM AUFBAU DES BILLARDTISCHES WERDEN ZWEI

ERWACHSENE BENÖTIGT



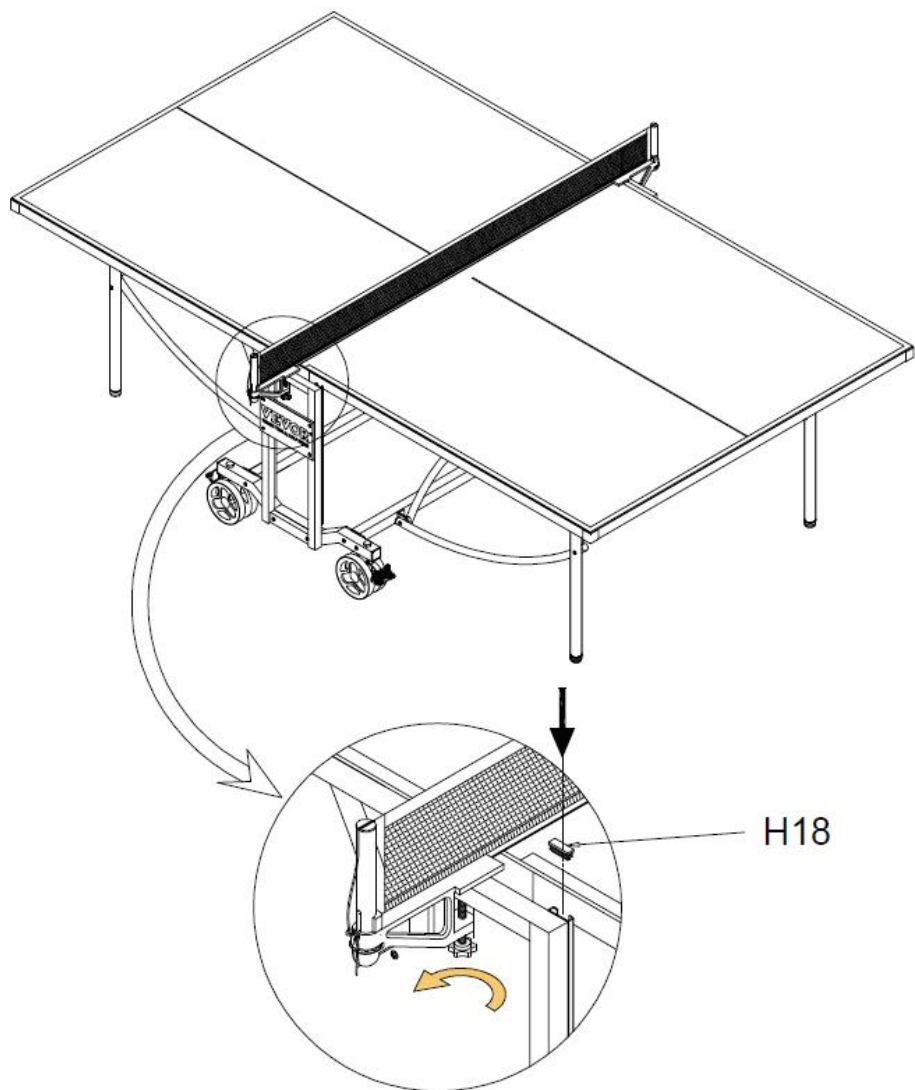
**NOTIZ:**

Wenn Sie feststellen, dass der Boden uneben ist, können Sie die Höhe mit dem Beinnivellierer anpassen

**FIGURE 10**

ACHTUNG: ZUM AUFBAU DES BILLARDTISCHES WERDEN ZWEI

ERWACHSENE BENÖTIGT



H18

H18		x4
-----	---	----

**Adresse :** Shuangchenglu 803nong11hao1602A-1609shi, Baoshanqu, Shanghai 200000 CN.

**Nach AUS importiert:** SIHAO PTY LTD, 1 ROKEVA  
STREETEASTWOOD NSW 2122 Australien

**Importiert in die USA:** Sanven Technology Ltd., Suite 250, 9166 Anaheim Place, Rancho Cucamonga, CA 91730

<b>EC</b>	<b>REP</b>
-----------	------------

E-CrossStu GmbH  
Mainzer Landstr.69, 60329 Frankfurt am Main.

<b>UK</b>	<b>REP</b>
-----------	------------

YH CONSULTING LIMITED.  
C/O YH Consulting Limited Office 147, Centurion House,  
London Road. Staines-upon-Thames. Surrey. TW18 4AX



**VEVOR<sup>®</sup>**

**TOUGH TOOLS, HALF PRICE**

**Technisch Support und E-Garantie-Zertifikat**

**[www.vevor.com/support](http://www.vevor.com/support)**

# **VEVOR<sup>®</sup>**

## **TOUGH TOOLS, HALF PRICE**

Tecnico Supporto e certificato di garanzia elettronica

[www.vevor.com/support](http://www.vevor.com/support)

## **TAVOLO DA PING PONG ALL'APERTO**

**MODELLO: VT003**

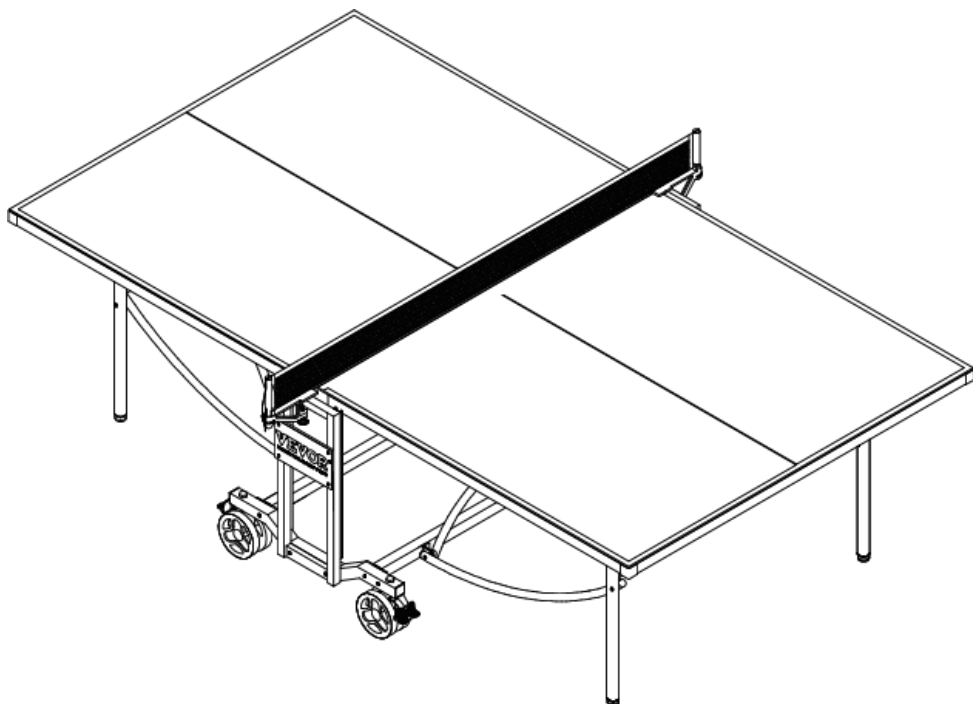
We continue to be committed to provide you tools with competitive price.

"Save Half", "Half Price" or any other similar expressions used by us only represents an estimate of savings you might benefit from buying certain tools with us compared to the major top brands and does not necessarily mean to cover all categories of tools offered by us. You are kindly reminded to verify carefully when you are placing an order with us if you are actually saving half in comparison with the top major brands.

# VEVOR®

TOUGH TOOLS, HALF PRICE

OUTDOOR TABLE  
TENNIS TABLE



## NEED HELP? CONTACT US!

Have product questions? Need technical support? Please feel free to contact us:

**Technical Support and E-Warranty Certificate**  
**[www.vevor.com/support](http://www.vevor.com/support)**

This is the original instruction, please read all manual instructions carefully before operating. VEVOR reserves a clear interpretation of our user manual. The appearance of the product shall be subject to the product you received. Please forgive us that we won't inform you again if there are any technology or software updates on our product.

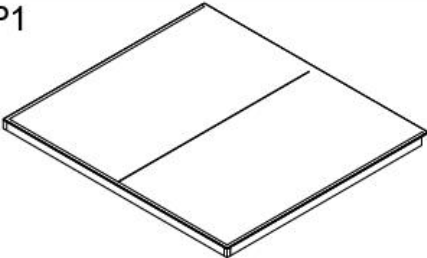



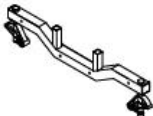













## PRODUCT PARAMETERS

Modello	Taglia del prodotto (mm)	Luogo di utilizzo	Spessore del pannello
VT003	2740X1525X760	All'aperto	6 mm




















### Attrezzature per la movimentazione e manutenzione

16. Assicurarsi che il tavolo da ping pong sia completamente e accuratamente assemblato prima dell'uso.
17. Il tavolo non deve essere spostato, montato o riposto dai bambini senza la supervisione di un adulto.
18. Posiziona il tavolo su una superficie piana.
19. Non coprirlo con pellicola di plastica perché sotto di esso potrebbe formarsi della condensa.
20. Non utilizzare materiali corrosivi o abrasivi per pulire l'attrezzatura poiché potrebbero danneggiare le superfici del tavolo. Nella maggior parte dei casi è sufficiente un panno leggermente inumidito .

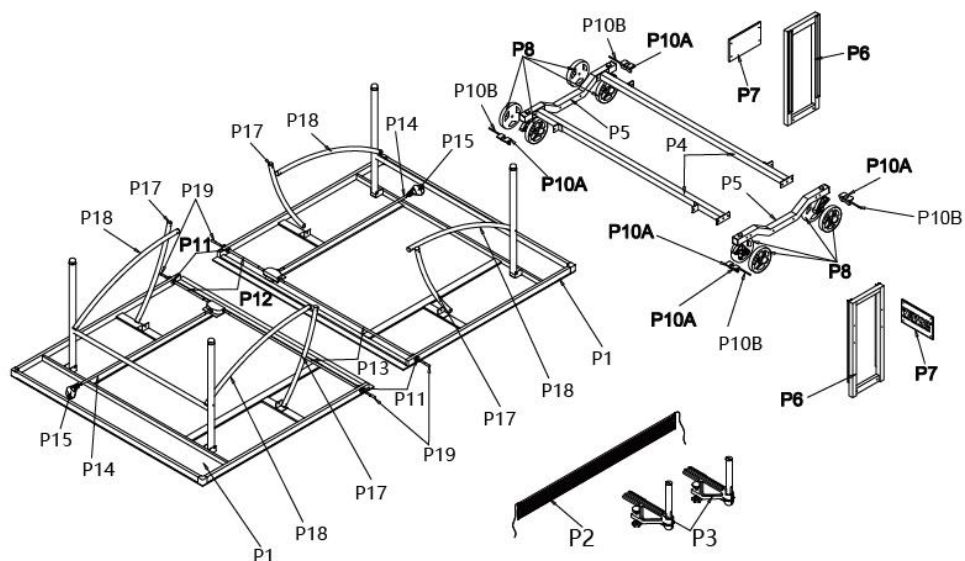
## PARTS IDENTIFIER

<p>P1</p>  <p>Table Tennis Top</p> <p>x2pcs</p>	<p>P2</p>  <p>Table Tennis Net</p> <p>x1pc</p>	<p>P3</p>  <p>Table Tennis Post</p> <p>x2pcs</p>
<p>P4</p>  <p>Connecti</p> <p>x2pcs</p>	<p>P5</p>  <p>Chassis</p> <p>x2pcs</p>	<p>P6</p>  <p>Side panel border</p> <p>x2pcs</p>
<p>P7</p>  <p>Poster board</p> <p>x2pcs</p>	<p>P8</p>  <p>Wheel</p> <p>x4set</p>	<p>P9</p>  <p>Wheel cover</p> <p>x8pcs</p>
<p>P10</p>  <p>P10B P10A</p> <p>Wheel brake pads</p> <p>x4set</p>	<p>P11</p>  <p>Sliding groove plastic screw</p> <p>x4set</p>	<p>P12</p>  <p>Circular tube</p> <p>x2pcs</p>
<p>P13</p>  <p>Circular tube</p> <p>x2pcs</p>	<p>P14</p>  <p>Circular tube</p> <p>x2pcs</p>	<p>P15</p>  <p>Handlebar</p> <p>x2pcs</p>
<p>P16</p>  <p>Plastic card slot</p> <p>x2pcs</p>	<p>P17</p>  <p>Circular tube</p> <p>x4pcs</p>	<p>P18</p>  <p>Circular tube</p> <p>x4pcs</p>

## PARTS IDENTIFIER

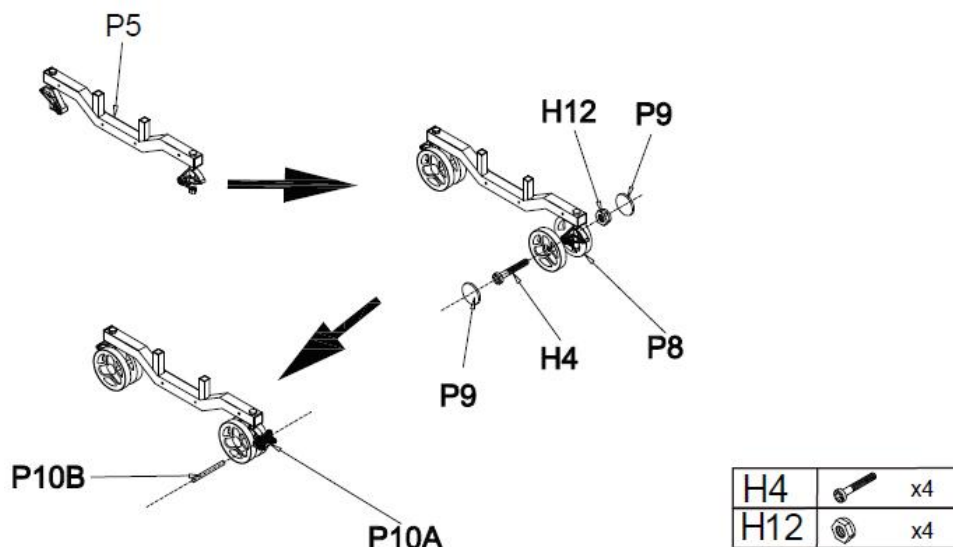
<p><b>P19</b></p>  <p>Latch</p> <p style="text-align: right;">x4pcs</p>	<p><b>H1</b></p>  <p>M6x90 Bolt</p> <p style="text-align: right;">x4pcs</p>	<p><b>H2</b></p>  <p>M6x85 Bolt</p> <p style="text-align: right;">x4pcs</p>
<p><b>H3</b></p>  <p>M6x70 Bolt</p> <p style="text-align: right;">x4pcs</p>	<p><b>H4</b></p>  <p>M8x60 Bolt</p> <p style="text-align: right;">x4pcs</p>	<p><b>H5</b></p>  <p>M6x55 Bolt</p> <p style="text-align: right;">x8pcs</p>
<p><b>H6</b></p>  <p>M8x45 Bolt</p> <p style="text-align: right;">x4pcs</p>	<p><b>H7</b></p>  <p>M8*Ø16*8 Plastic washer</p> <p style="text-align: right;">x4pcs</p>	<p><b>H8</b></p>  <p>M8*Ø16*13 Plastic washer</p> <p style="text-align: right;">x8pcs</p>
<p><b>H9</b></p>  <p>M8*Ø16*4 Plastic washer</p> <p style="text-align: right;">x4pcs</p>	<p><b>H10</b></p>  <p>M6*Ø12*2 Plastic washer</p> <p style="text-align: right;">x48pcs</p>	<p><b>H11</b></p>  <p>M6 Lock Nut</p> <p style="text-align: right;">x24pcs</p>
<p><b>H12</b></p>  <p>M8 Lock Nut</p> <p style="text-align: right;">x4pcs</p>	<p><b>H13</b></p>  <p>M3*8 Screw</p> <p style="text-align: right;">x10pcs</p>	<p><b>H14</b></p>  <p>4x25mm Screw</p> <p style="text-align: right;">x10pcs</p>
<p><b>H15</b></p>  <p>M6L Tool</p> <p style="text-align: right;">x1pc</p>	<p><b>H16</b></p>  <p>M4L Tool</p> <p style="text-align: right;">x1pc</p>	<p><b>H17</b></p>  <p>Open end wrench</p> <p style="text-align: right;">x2pcs</p>
<p><b>H18</b></p>  <p>Plastic cover</p> <p style="text-align: right;">x4pcs</p>		

## Product breakdown diagram



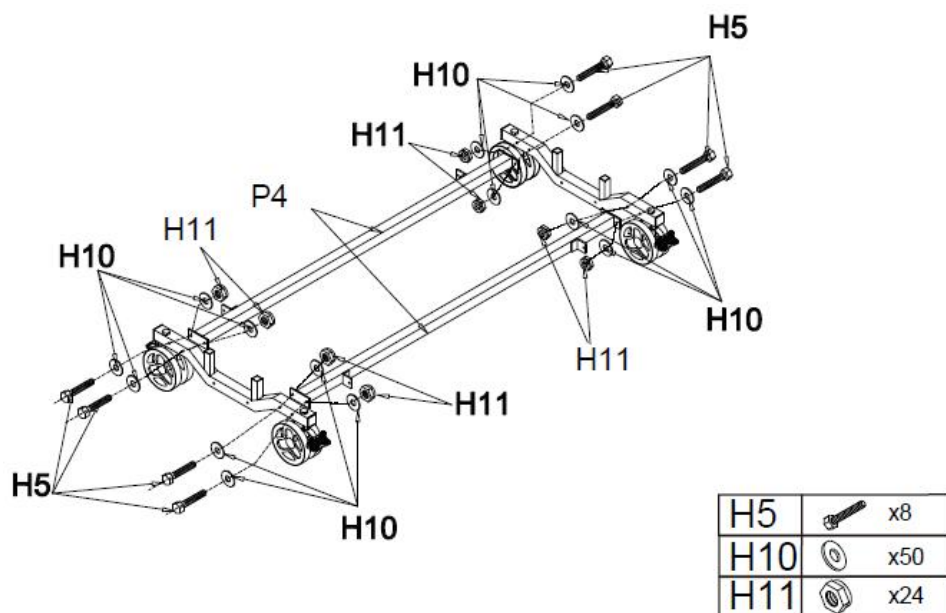
**FIGURE 1**

**ATTENZIONE: È NECESSARIO TRAINO ADULTI ASSEMBLARE IL TAVOLO DELLA PISCINA**

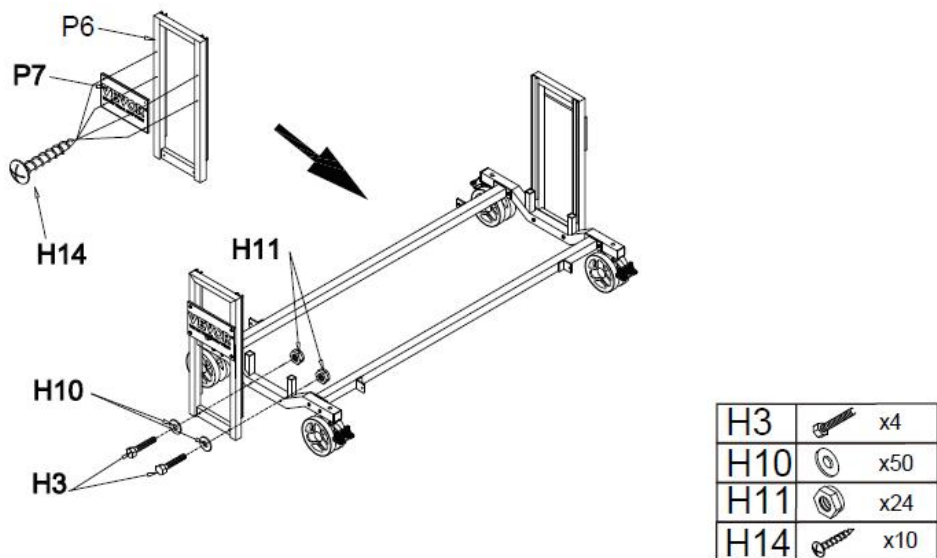


**FIGURE 2**

ATTENZIONE: È NECESSARIO TRAINO ADULTI ASSEMBLARE IL TAVOLO DELLA PISCINA

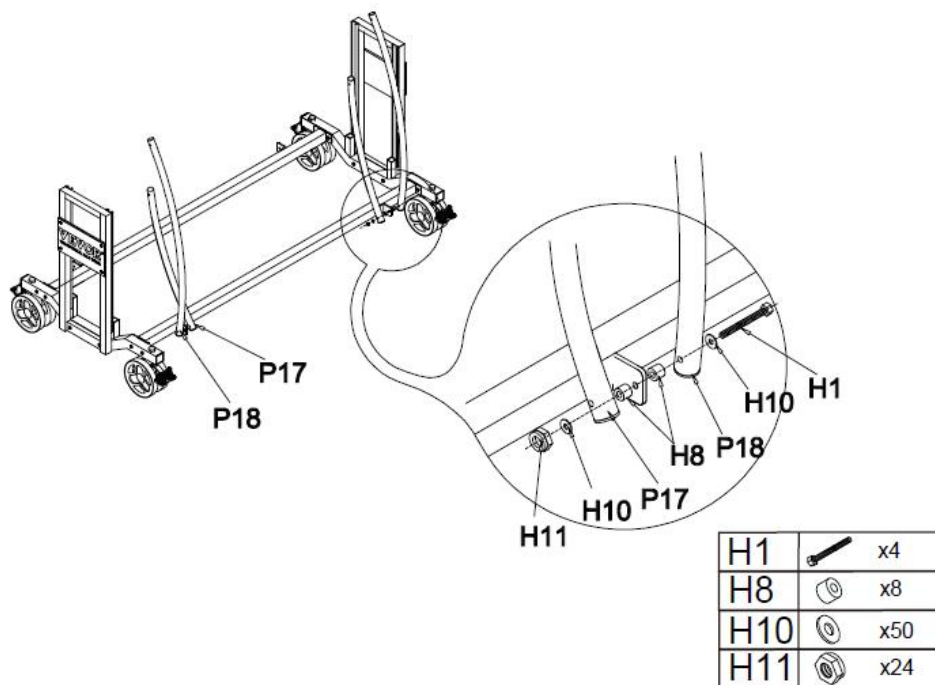


**FIGURE 3**

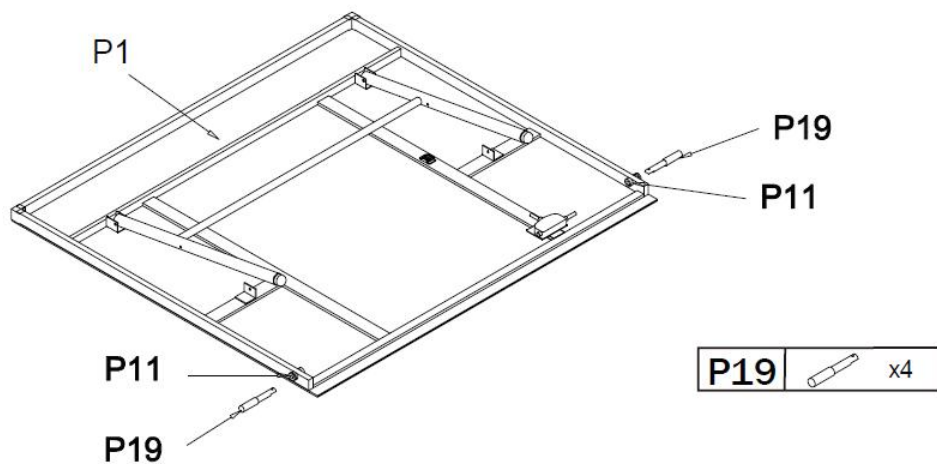


**FIGURE 4**

ATTENZIONE: È NECESSARIO TRAINO ADULTI ASSEMBLARE IL TAVOLO DELLA PISCINA



**FIGURE 5**



**FIGURE 6**

ATTENZIONE: È NECESSARIO TRAINO ADULTI ASSEMBLARE IL TAVOLO

DELLA PISCINA

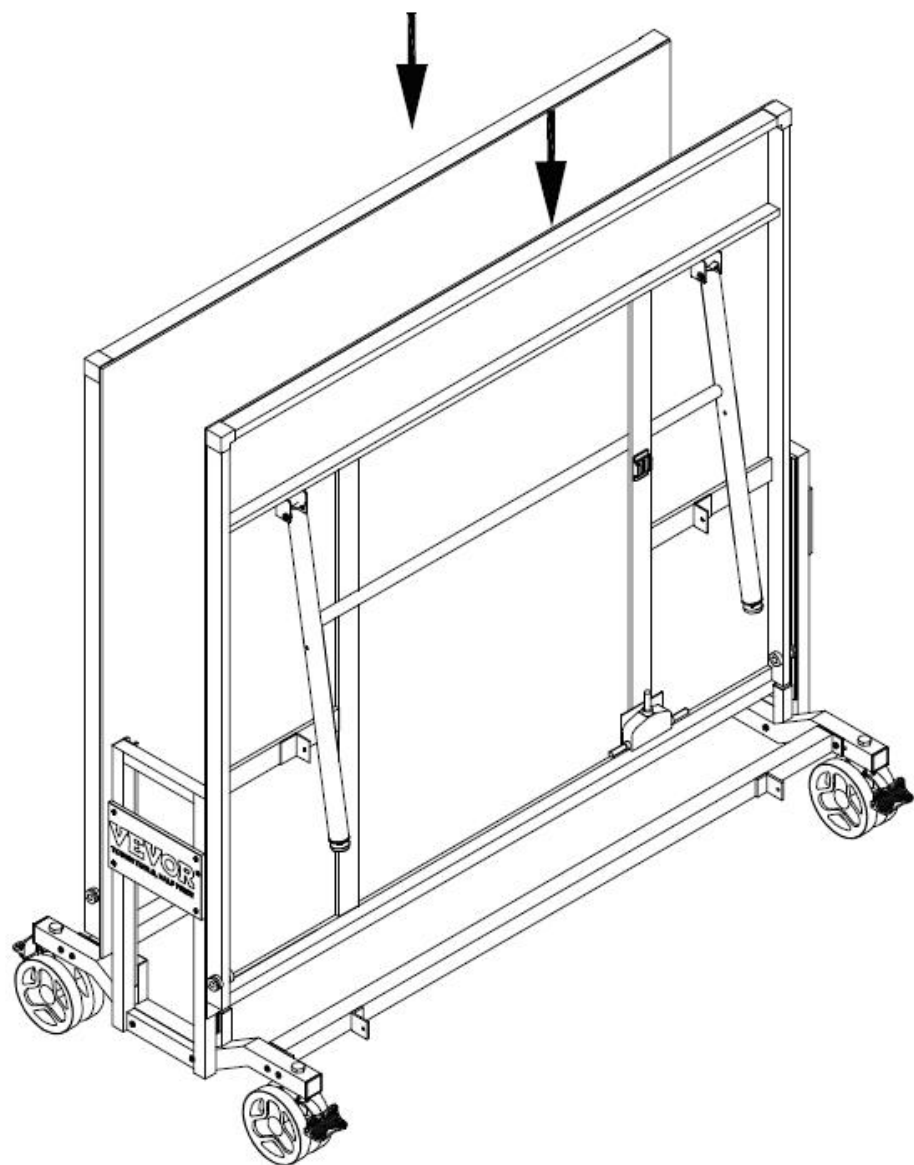
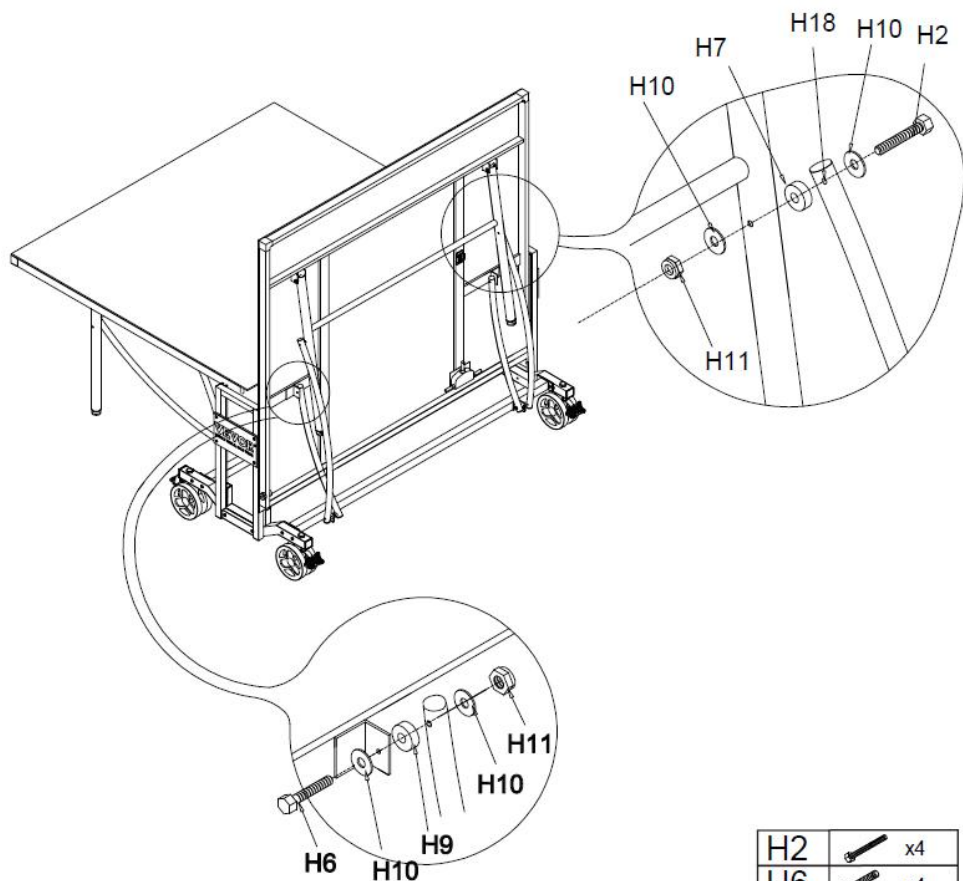









FIGURE 7

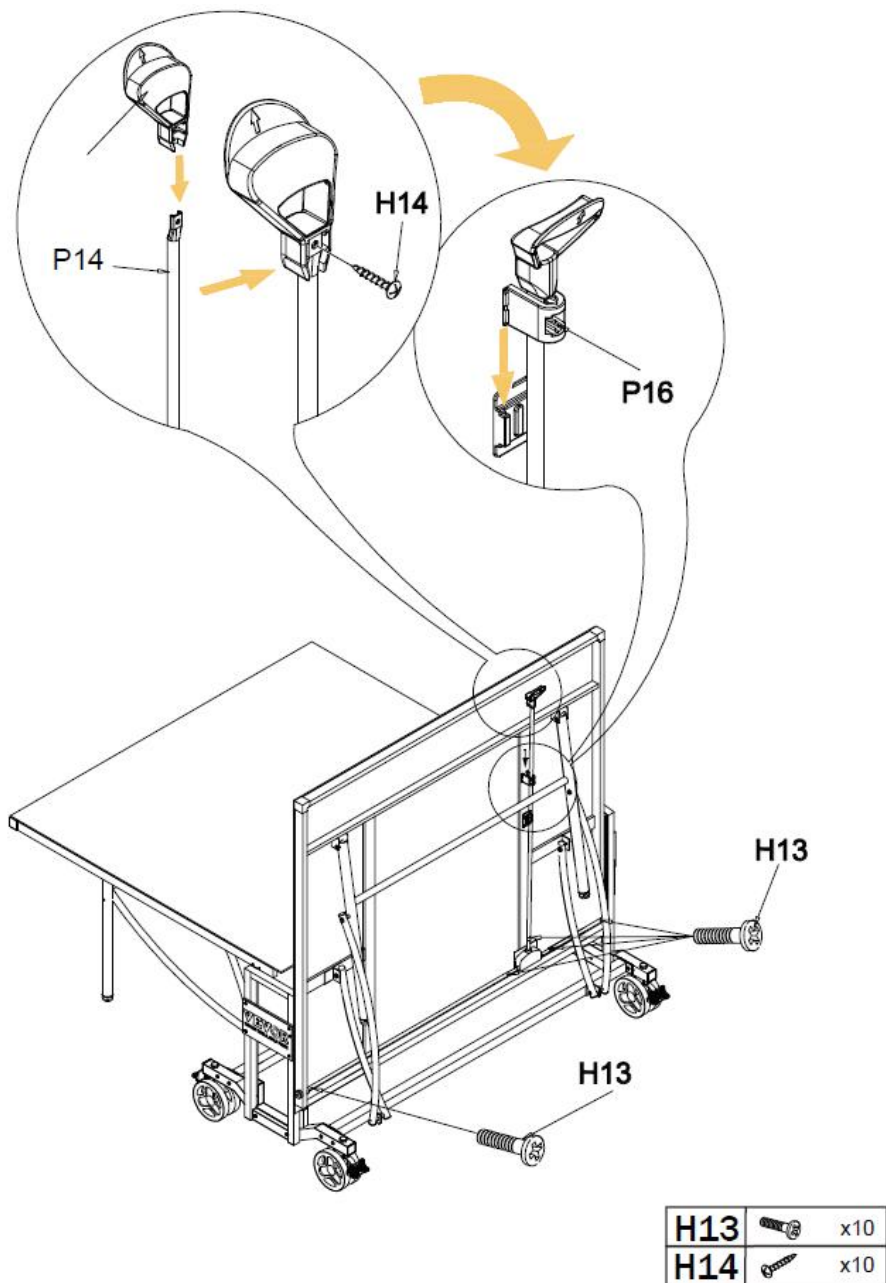
ATTENZIONE: È NECESSARIO TRAINO ADULTI ASSEMBLARE IL TAVOLO DELLA PISCINA



H2		x4
H6		x4
H7		x4
H9		x4
H10		x48
H11		x24
H18		x4

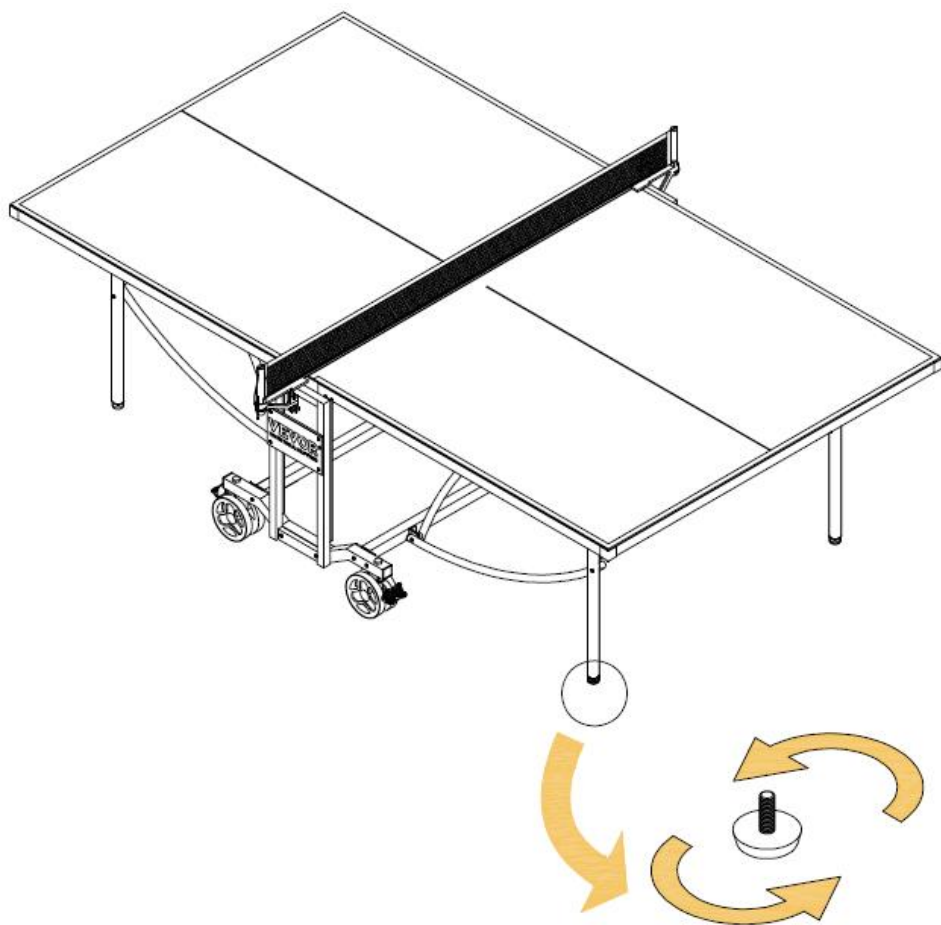
## FIGURE 8

ATTENZIONE: È NECESSARIO TRAINO ADULTI ASSEMBLARE IL TAVOLO DELLA PISCINA



**FIGURE 9**

ATTENZIONE: È NECESSARIO TRAINO ADULTI ASSEMBLARE IL TAVOLO



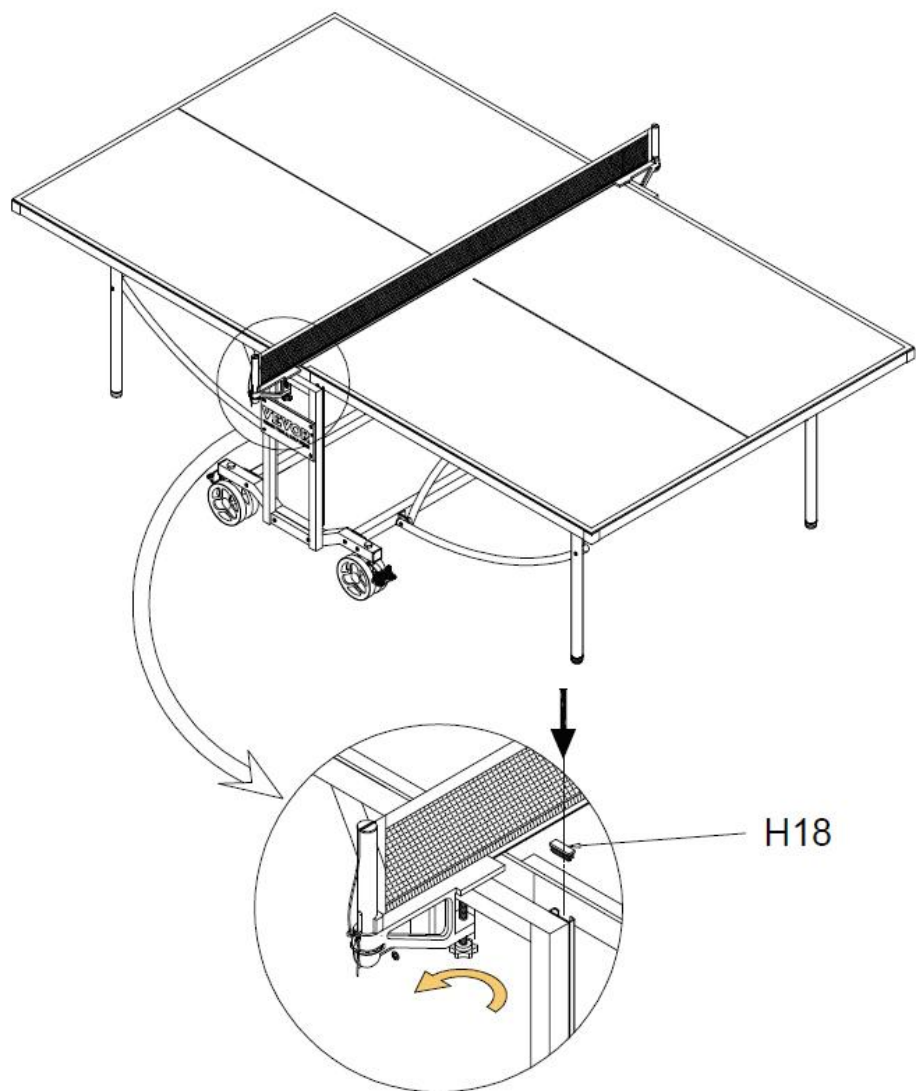
**NOTA:**

Quando scopri che il terreno è irregolare, puoi regolare l'altezza tramite il livellatore delle gambe

**FIGURE 10**

ATTENZIONE: È NECESSARIO TRAINO ADULTI ASSEMBLARE IL TAVOLO

## DELLA PISCINA



H18

H18		x4
-----	---	----

**Indirizzo** : Shuangchenglu 803nong11hao1602A-1609shi, baoshanqu, shanghai 200000 CN.

**Importato in AUS:** SIHAO PTY LTD, 1 ROKEVA STREETEASTWOOD NSW 2122 Australia

**Importato negli Stati Uniti:** Sanven Technology Ltd., Suite 250, 9166 Anaheim Place, Rancho Cucamonga, CA 91730

<b>EC</b>	<b>REP</b>
-----------	------------

E-CrossStu GmbH  
Mainzer Landstr.69, 60329 Frankfurt am Main.

<b>UK</b>	<b>REP</b>
-----------	------------

YH CONSULTING LIMITED.  
C/O YH Consulting Limited Office 147, Centurion House,  
London Road. Staines-upon-Thames. Surrey. TW18 4AX



**VEVOR<sup>®</sup>**

**TOUGH TOOLS, HALF PRICE**

**Tecnico Supporto e certificato di garanzia elettronica**

**[www.vevor.com/support](http://www.vevor.com/support)**

# **VEVOR<sup>®</sup>**

**TOUGH TOOLS, HALF PRICE**

Técnico Certificado de soporte y garantía electrónica

[www.vevor.com/support](http://www.vevor.com/support)

## **MESA DE PING-PONG AL AIRE LIBRE**

**MODELO: VT003**

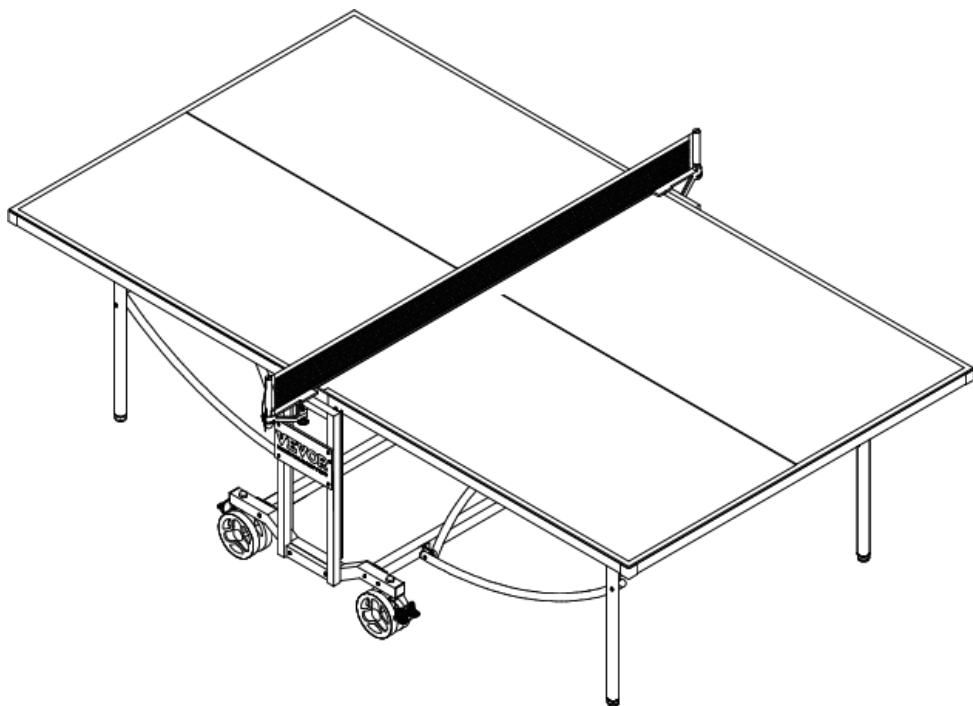
We continue to be committed to provide you tools with competitive price.

"Save Half", "Half Price" or any other similar expressions used by us only represents an estimate of savings you might benefit from buying certain tools with us compared to the major top brands and does not necessarily mean to cover all categories of tools offered by us. You are kindly reminded to verify carefully when you are placing an order with us if you are actually saving half in comparison with the top major brands.

# VEVOR®

TOUGH TOOLS, HALF PRICE

OUTDOOR TABLE  
TENNIS TABLE



## NEED HELP? CONTACT US!

Have product questions? Need technical support? Please feel free to contact us:

**Technical Support and E-Warranty Certificate**  
**[www.vevor.com/support](http://www.vevor.com/support)**

This is the original instruction, please read all manual instructions carefully before operating. VEVOR reserves a clear interpretation of our user manual. The appearance of the product shall be subject to the product you received. Please forgive us that we won't inform you again if there are any technology or software updates on our product.

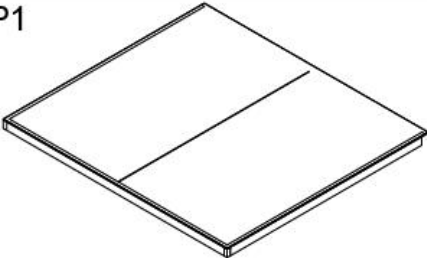



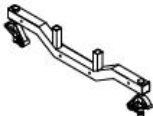













## PRODUCT PARAMETERS

Modelo	Tamaño del producto (mm)	Ubicación de uso	Grosor del panel
VT003	2740X1525X760	Exterior	6mm




















### Manipulación de equipos y mantenimiento

21. Asegúrese de que la mesa de ping-pong esté completamente ensamblada y con precisión antes de usarla.
22. Los niños no deben mover, montar ni guardar la mesa sin la supervisión de un adulto.
23. Coloque la mesa sobre una superficie nivelada.
24. No lo cubra con papel de plástico porque se puede formar condensación debajo.
25. No utilice materiales corrosivos o abrasivos para limpiar el equipo ya que pueden dañar las superficies de la mesa. En la mayoría de los casos, basta con un paño ligeramente humedecido .

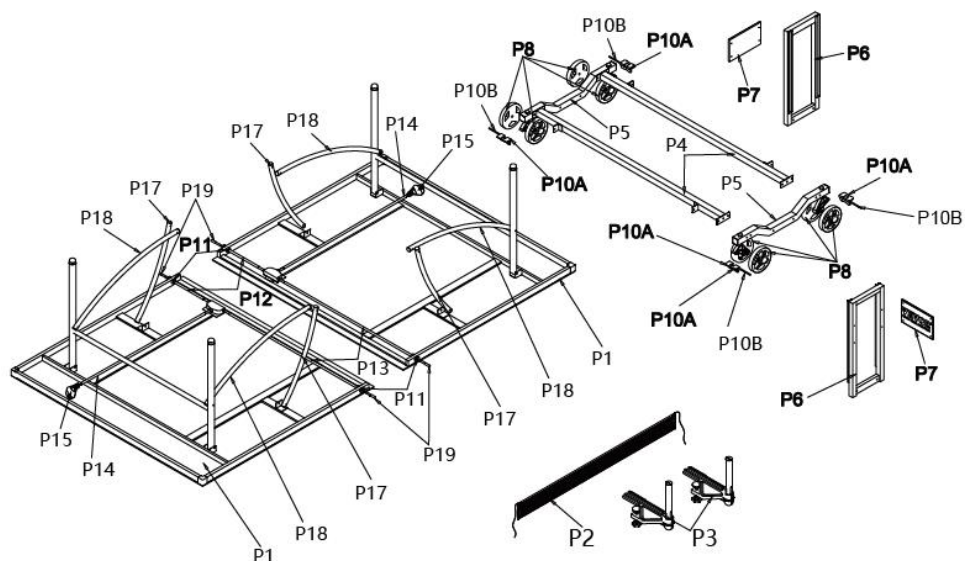
## PARTS IDENTIFIER

<p>P1</p>  <p>Table Tennis Top</p> <p>x2pcs</p>	<p>P2</p>  <p>Table Tennis Net</p> <p>x1pc</p>	<p>P3</p>  <p>Table Tennis Post</p> <p>x2pcs</p>
<p>P4</p>  <p>Connecti</p> <p>x2pcs</p>	<p>P5</p>  <p>Chassis</p> <p>x2pcs</p>	<p>P6</p>  <p>Side panel border</p> <p>x2pcs</p>
<p>P7</p>  <p>Poster board</p> <p>x2pcs</p>	<p>P8</p>  <p>Wheel</p> <p>x4set</p>	<p>P9</p>  <p>Wheel cover</p> <p>x8pcs</p>
<p>P10</p>  <p>P10B P10A</p> <p>Wheel brake pads</p> <p>x4set</p>	<p>P11</p>  <p>Sliding groove plastic screw</p> <p>x4set</p>	<p>P12</p>  <p>Circular tube</p> <p>x2pcs</p>
<p>P13</p>  <p>Circular tube</p> <p>x2pcs</p>	<p>P14</p>  <p>Circular tube</p> <p>x2pcs</p>	<p>P15</p>  <p>Handlebar</p> <p>x2pcs</p>
<p>P16</p>  <p>Plastic card slot</p> <p>x2pcs</p>	<p>P17</p>  <p>Circular tube</p> <p>x4pcs</p>	<p>P18</p>  <p>Circular tube</p> <p>x4pcs</p>

## PARTS IDENTIFIER

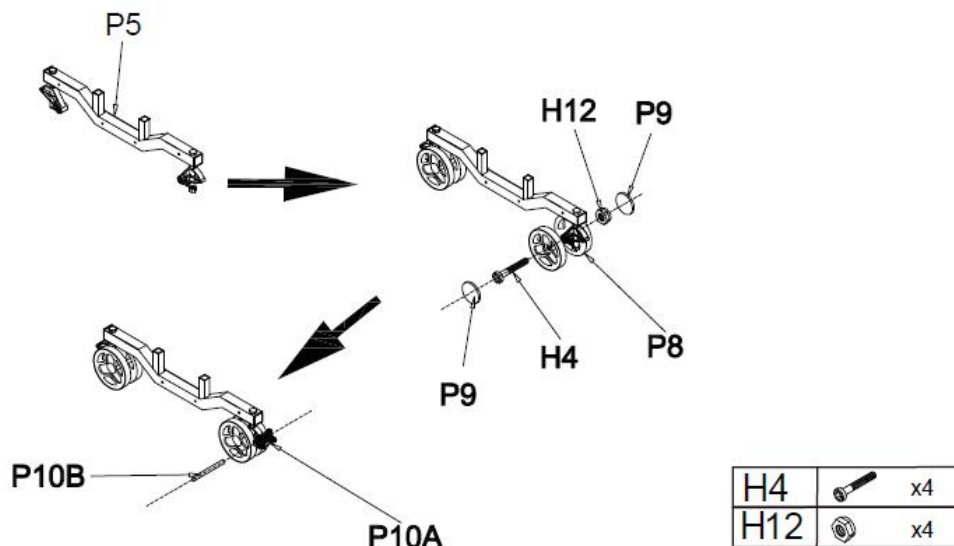
<p><b>P19</b></p>  <p>Latch</p> <p style="text-align: right;">x4pcs</p>	<p><b>H1</b></p>  <p>M6x90 Bolt</p> <p style="text-align: right;">x4pcs</p>	<p><b>H2</b></p>  <p>M6x85 Bolt</p> <p style="text-align: right;">x4pcs</p>
<p><b>H3</b></p>  <p>M6x70 Bolt</p> <p style="text-align: right;">x4pcs</p>	<p><b>H4</b></p>  <p>M8x60 Bolt</p> <p style="text-align: right;">x4pcs</p>	<p><b>H5</b></p>  <p>M6x55 Bolt</p> <p style="text-align: right;">x8pcs</p>
<p><b>H6</b></p>  <p>M8x45 Bolt</p> <p style="text-align: right;">x4pcs</p>	<p><b>H7</b></p>  <p>M8*Ø16*8 Plastic washer</p> <p style="text-align: right;">x4pcs</p>	<p><b>H8</b></p>  <p>M8*Ø16*13 Plastic washer</p> <p style="text-align: right;">x8pcs</p>
<p><b>H9</b></p>  <p>M8*Ø16*4 Plastic washer</p> <p style="text-align: right;">x4pcs</p>	<p><b>H10</b></p>  <p>M6*Ø12*2 Plastic washer</p> <p style="text-align: right;">x48pcs</p>	<p><b>H11</b></p>  <p>M6 Lock Nut</p> <p style="text-align: right;">x24pcs</p>
<p><b>H12</b></p>  <p>M8 Lock Nut</p> <p style="text-align: right;">x4pcs</p>	<p><b>H13</b></p>  <p>M3*8 Screw</p> <p style="text-align: right;">x10pcs</p>	<p><b>H14</b></p>  <p>4x25mm Screw</p> <p style="text-align: right;">x10pcs</p>
<p><b>H15</b></p>  <p>M6L Tool</p> <p style="text-align: right;">x1pc</p>	<p><b>H16</b></p>  <p>M4L Tool</p> <p style="text-align: right;">x1pc</p>	<p><b>H17</b></p>  <p>Open end wrench</p> <p style="text-align: right;">x2pcs</p>
<p><b>H18</b></p>  <p>Plastic cover</p> <p style="text-align: right;">x4pcs</p>		

## Product breakdown diagram



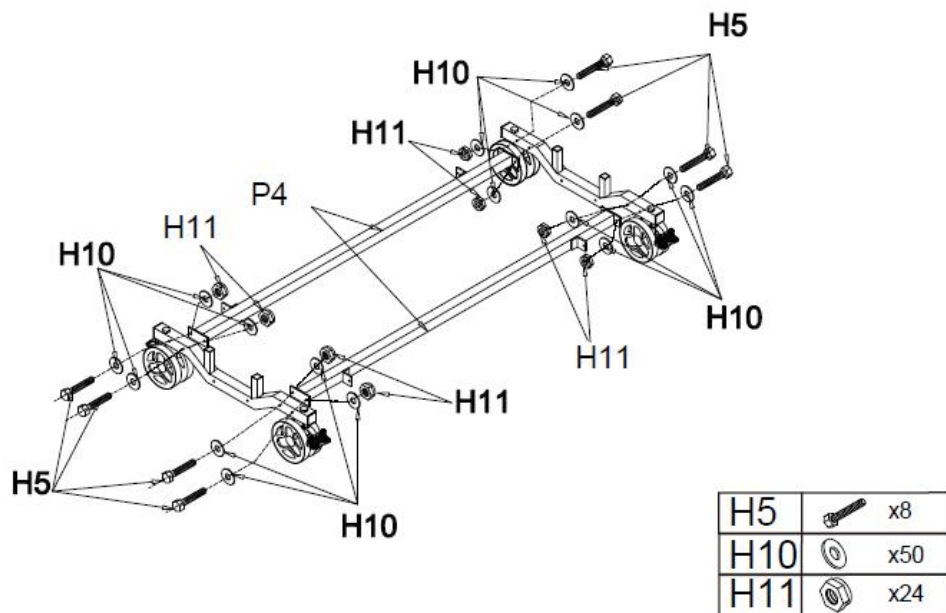
**FIGURE 1**

**ADVERTENCIA: SE NECESITAN REMOLQUES ADULTOS PARA MONTAR LA MESA DE BILLAR**

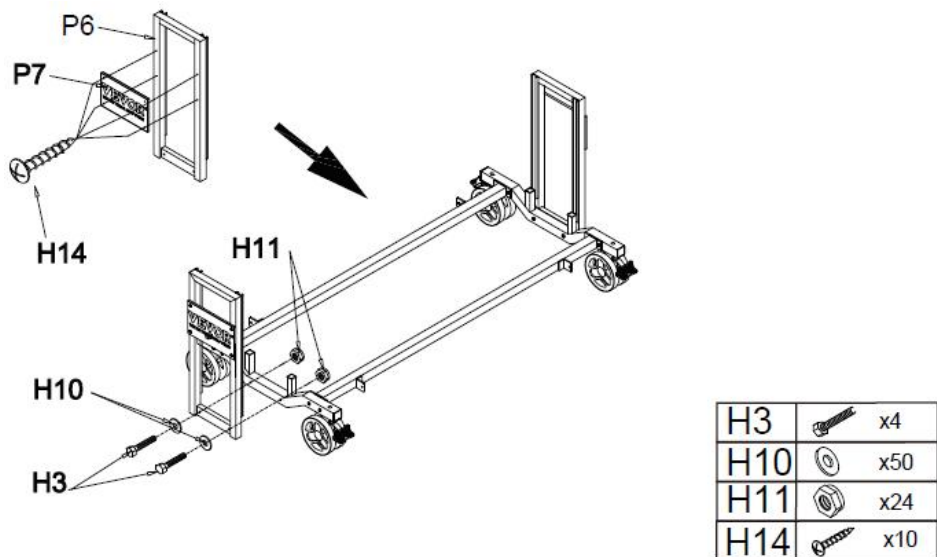


**FIGURE 2**

ADVERTENCIA: SE NECESITAN REMOLQUES ADULTOS PARA MONTAR LA MESA DE BILLAR

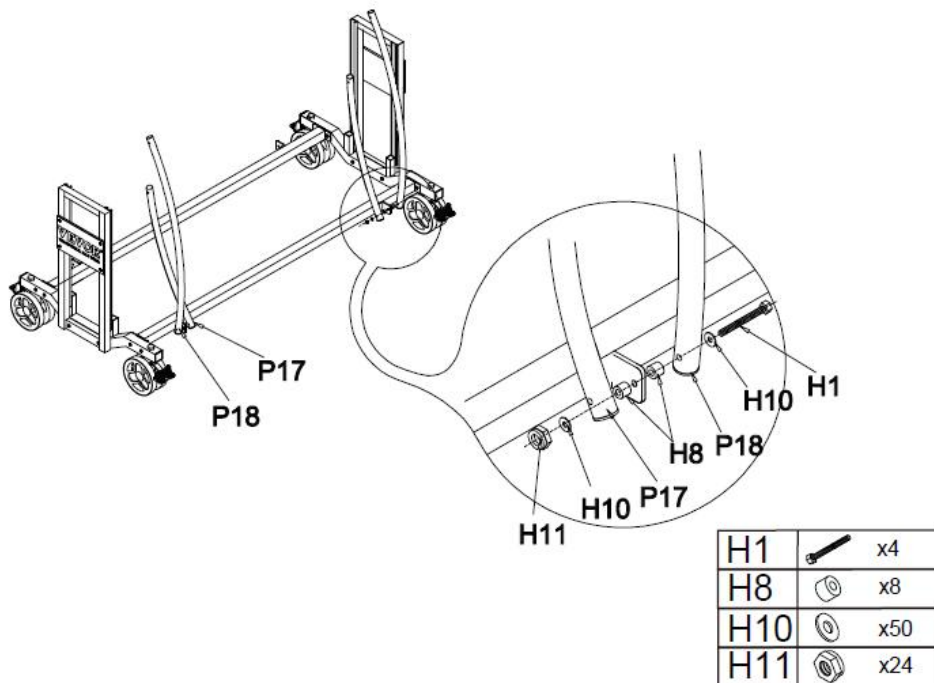


**FIGURE 3**

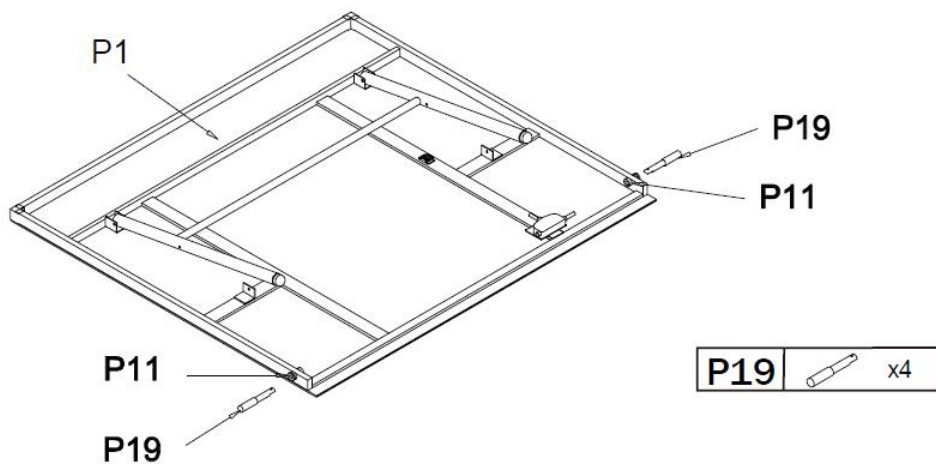


**FIGURE 4**

**ADVERTENCIA: SE NECESITAN REMOLQUES ADULTOS PARA MONTAR LA MESA DE BILLAR**



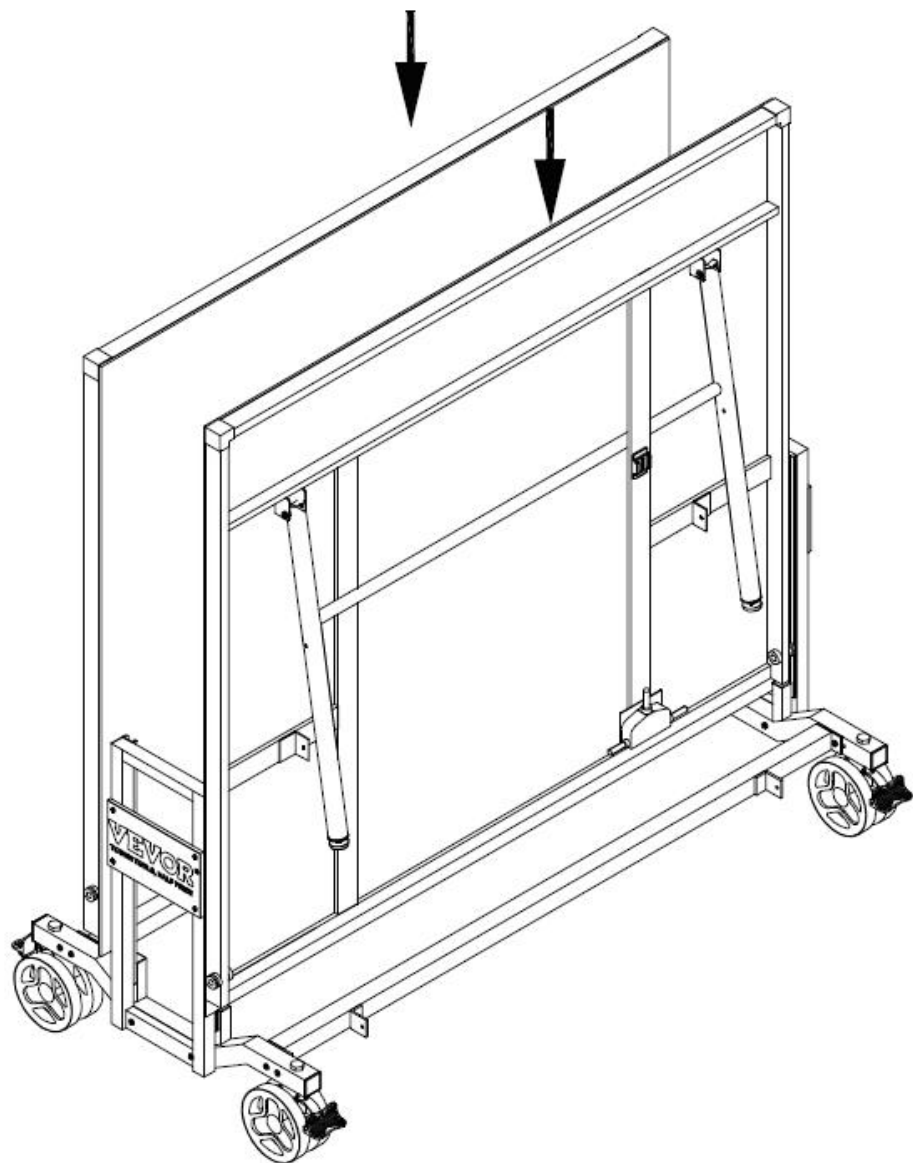
**FIGURE 5**



**FIGURE 6**

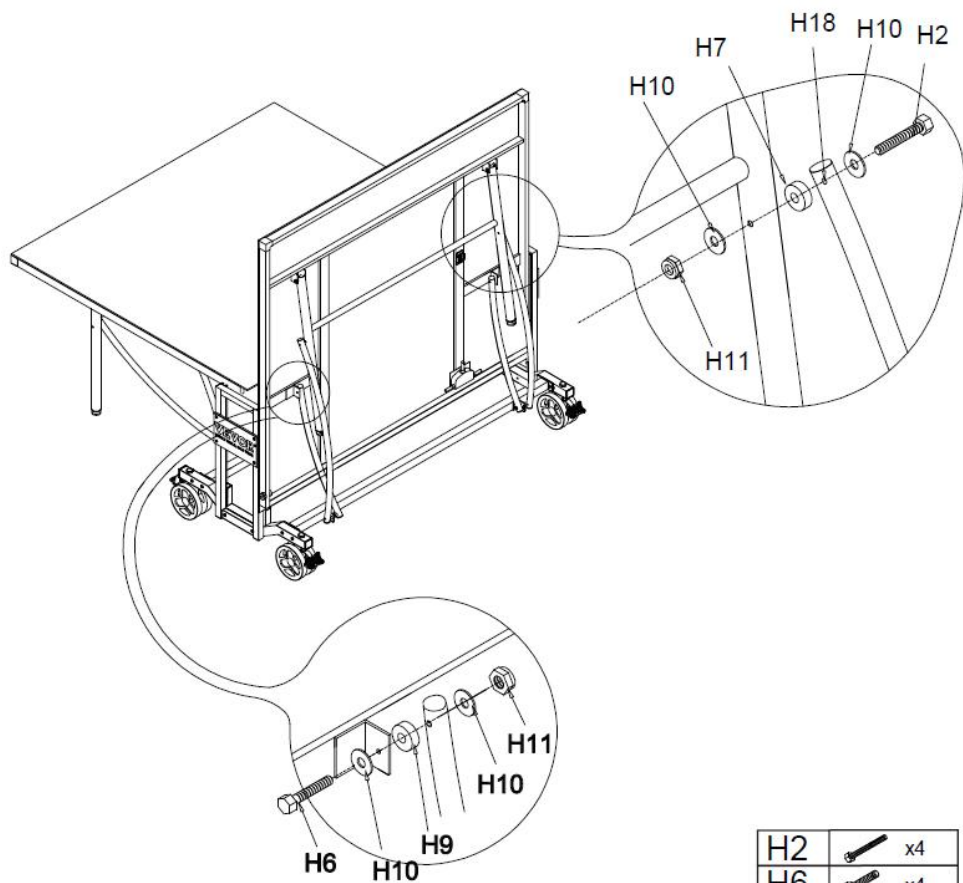
ADVERTENCIA: SE NECESITAN REMOLQUES ADULTOS PARA MONTAR LA







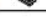
# MESA DE BILLAR



**FIGURE 7**

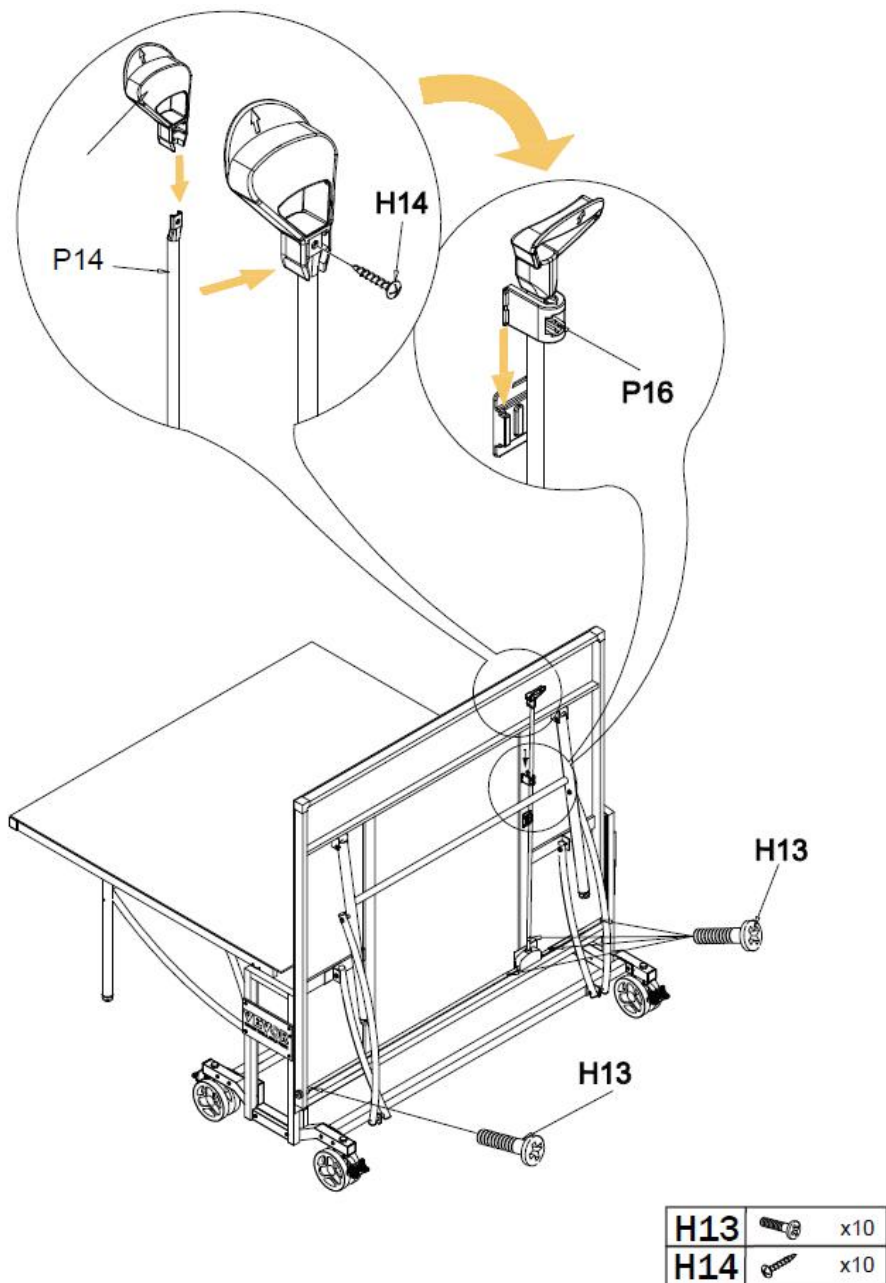
ADVERTENCIA: SE NECESITAN REMOLQUES ADULTOS PARA MONTAR LA MESA DE BILLAR



H2		x4
H6		x4
H7		x4
H9		x4
H10		x48
H11		x24
H18		x4

## FIGURE 8

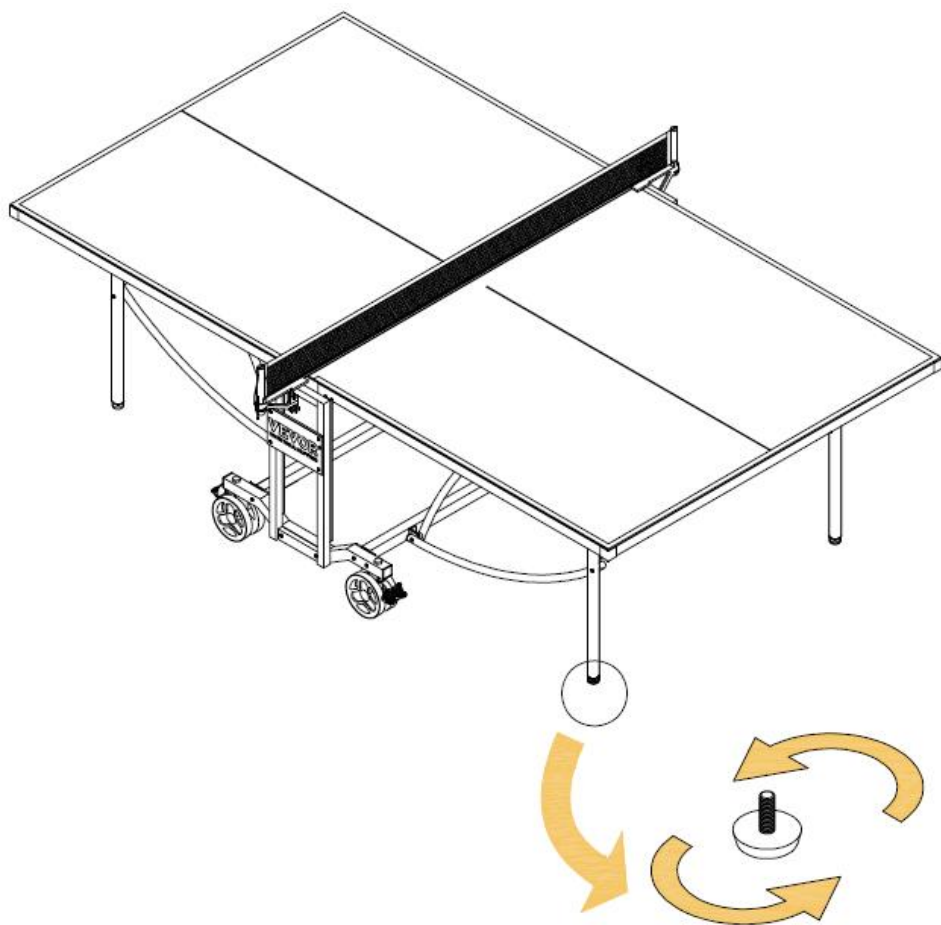
ADVERTENCIA: SE NECESITAN REMOLQUES ADULTOS PARA MONTAR LA MESA DE BILLAR



**FIGURE 9**

ADVERTENCIA: SE NECESITAN REMOLQUES ADULTOS PARA MONTAR LA

## MESA DE BILLAR



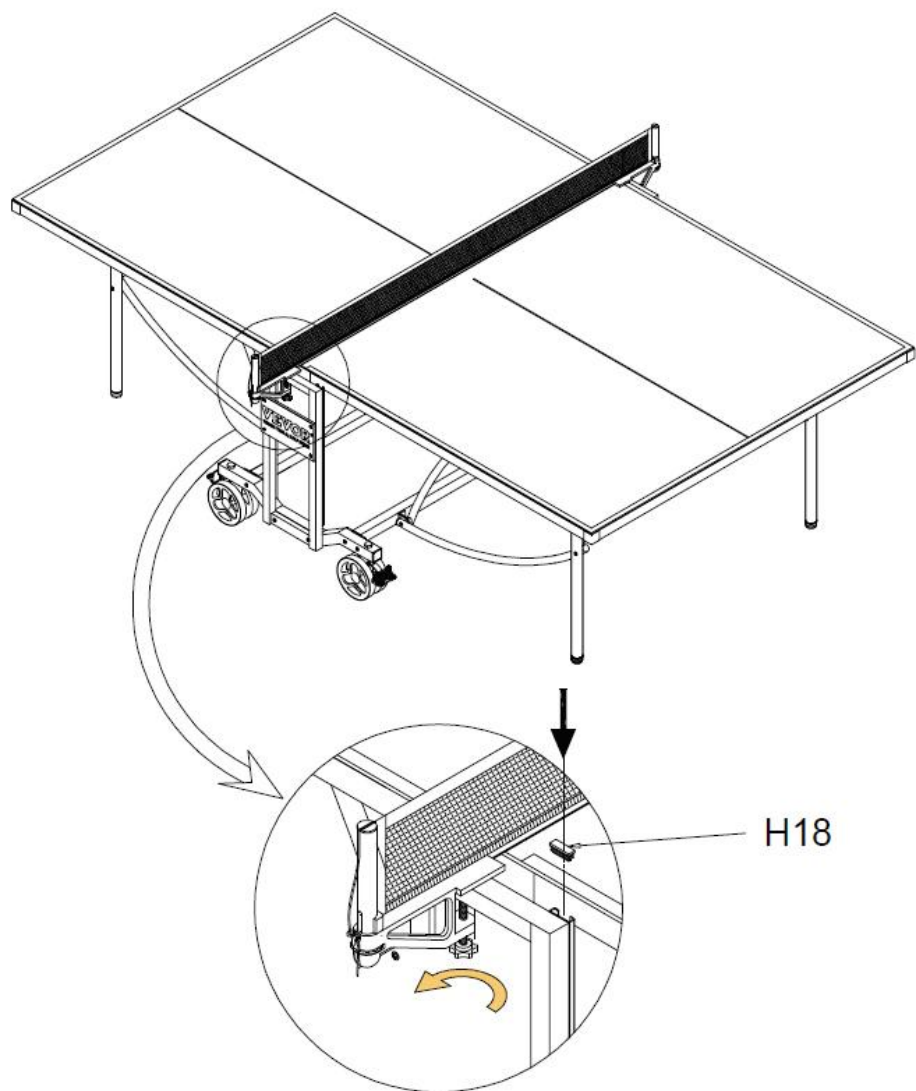
### NOTA:

Cuando encuentre que el suelo es desigual, puede ajustar la altura a través del nivelador de patas.

**FIGURE 10**

ADVERTENCIA: SE NECESITAN REMOLQUES ADULTOS PARA MONTAR LA

# MESA DE BILLAR



H18		x4
-----	---	----

**Dirección :** Shuangchenglu 803nong11hao1602A-1609shi, baoshanqu, shanghai 200000 CN.

**Importado a AUS:** SIHAO PTY LTD, 1 ROKEVA STREETEASTWOOD NSW 2122 Australia

**Importado a EE. UU.:** Sanven Technology Ltd., Suite 250, 9166 Anaheim Place, Rancho Cucamonga, CA 91730

<b>EC</b>	<b>REP</b>
-----------	------------

E-CrossStu GmbH  
Mainzer Landstr.69, 60329 Frankfurt am Main.

<b>UK</b>	<b>REP</b>
-----------	------------

YH CONSULTING LIMITED.  
C/O YH Consulting Limited Office 147, Centurion House,  
London Road. Staines-upon-Thames. Surrey. TW18 4AX



**VEVOR<sup>®</sup>**

**TOUGH TOOLS, HALF PRICE**

**Técnico Certificado de soporte y garantía electrónica**

**[www.vevor.com/support](http://www.vevor.com/support)**

# **VEVOR<sup>®</sup>**

**TOUGH TOOLS, HALF PRICE**

Techniczny Certyfikat wsparcia i e-gwarancji

[www.vevor.com/support](http://www.vevor.com/support)

## **STÓŁ DO TENISA STOŁOWEGO NA ŚWIEŻYM POWIETRZU**

**MODEL: VT003**

We continue to be committed to provide you tools with competitive price.

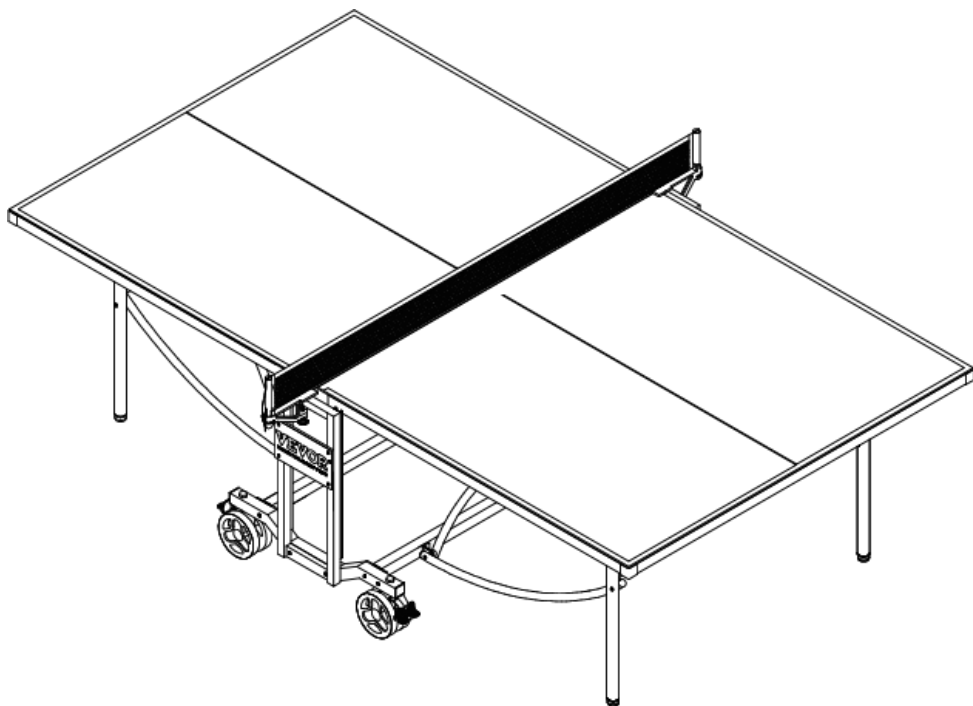
"Save Half", "Half Price" or any other similar expressions used by us only represents an estimate of savings you might benefit from buying certain tools with us compared to the major top brands and does not necessarily mean to cover all categories of tools offered by us. You are kindly reminded to verify carefully when you are placing an order with us if you are actually saving half in comparison with the top major brands.



# VEVOR<sup>®</sup>

TOUGH TOOLS, HALF PRICE

OUTDOOR TABLE  
TENNIS TABLE



## NEED HELP? CONTACT US!

Have product questions? Need technical support? Please feel free to contact us:

**Technical Support and E-Warranty Certificate**  
**[www.vevor.com/support](http://www.vevor.com/support)**

This is the original instruction, please read all manual instructions carefully before operating. VEVOR reserves a clear interpretation of our user manual. The appearance of the product shall be subject to the product you received. Please forgive us that we won't inform you again if there are any technology or software updates on our product.

## PRODUCT PARAMETERS

Model	Rozmiar produktu (mm)	Miejsce użycia	Grubość panelu
VT003	2740X1525X760	Na wolnym powietrzu	6mm

### Obsługa sprzętu i konserwacja

26. Przed użyciem upewnij się, że stół do tenisa stołowego jest całkowicie i dokładnie zmontowany.

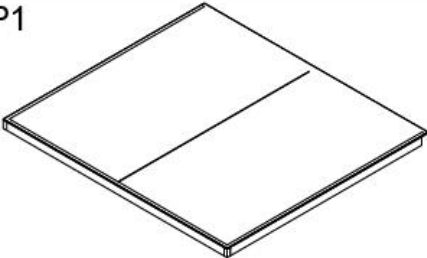



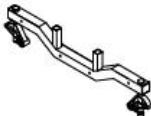













27. Dzieci nie powinny przenosić, montować ani przechowywać stołu bez nadzoru osoby dorosłej.

28. Ustaw stół na płaskiej powierzchni.




















29. Nie przykrywaj go folią plastikową, ponieważ pod nią może gromadzić się wilgoć.

30. Do czyszczenia sprzętu nie używaj materiałów żrących ani ściernych, ponieważ może to spowodować uszkodzenie powierzchni stołu. W większości przypadków wystarczy lekko zwilżona ściereczka .

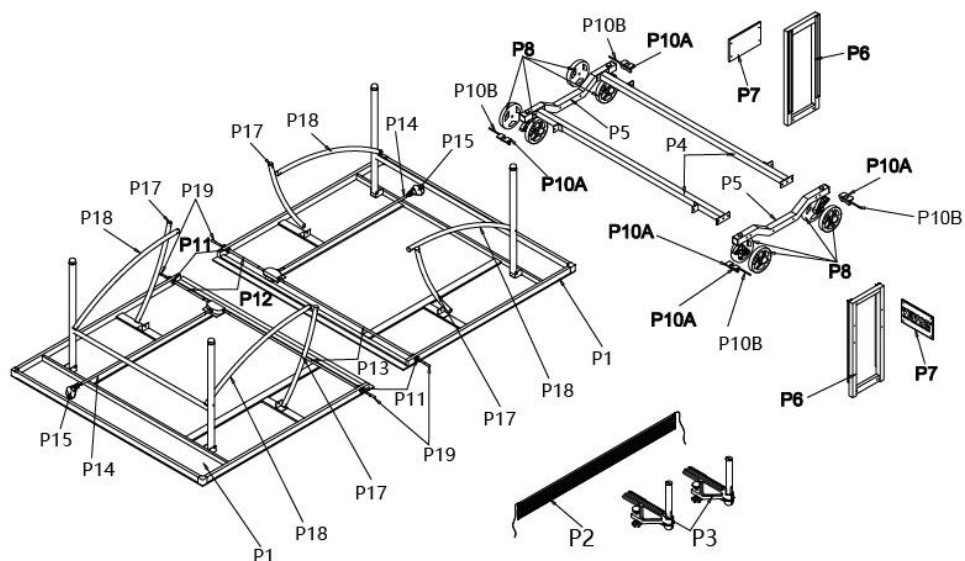
## PARTS IDENTIFIER

<p>P1</p>  <p>Table Tennis Top</p> <p>x2pcs</p>	<p>P2</p>  <p>Table Tennis Net</p> <p>x1pc</p>	<p>P3</p>  <p>Table Tennis Post</p> <p>x2pcs</p>
<p>P4</p>  <p>Connecti</p> <p>x2pcs</p>	<p>P5</p>  <p>Chassis</p> <p>x2pcs</p>	<p>P6</p>  <p>Side panel border</p> <p>x2pcs</p>
<p>P7</p>  <p>Poster board</p> <p>x2pcs</p>	<p>P8</p>  <p>Wheel</p> <p>x4set</p>	<p>P9</p>  <p>Wheel cover</p> <p>x8pcs</p>
<p>P10</p>  <p>P10B P10A</p> <p>Wheel brake pads</p> <p>x4set</p>	<p>P11</p>  <p>Sliding groove plastic screw</p> <p>x4set</p>	<p>P12</p>  <p>Circular tube</p> <p>x2pcs</p>
<p>P13</p>  <p>Circular tube</p> <p>x2pcs</p>	<p>P14</p>  <p>Circular tube</p> <p>x2pcs</p>	<p>P15</p>  <p>Handlebar</p> <p>x2pcs</p>
<p>P16</p>  <p>Plastic card slot</p> <p>x2pcs</p>	<p>P17</p>  <p>Circular tube</p> <p>x4pcs</p>	<p>P18</p>  <p>Circular tube</p> <p>x4pcs</p>

## PARTS IDENTIFIER

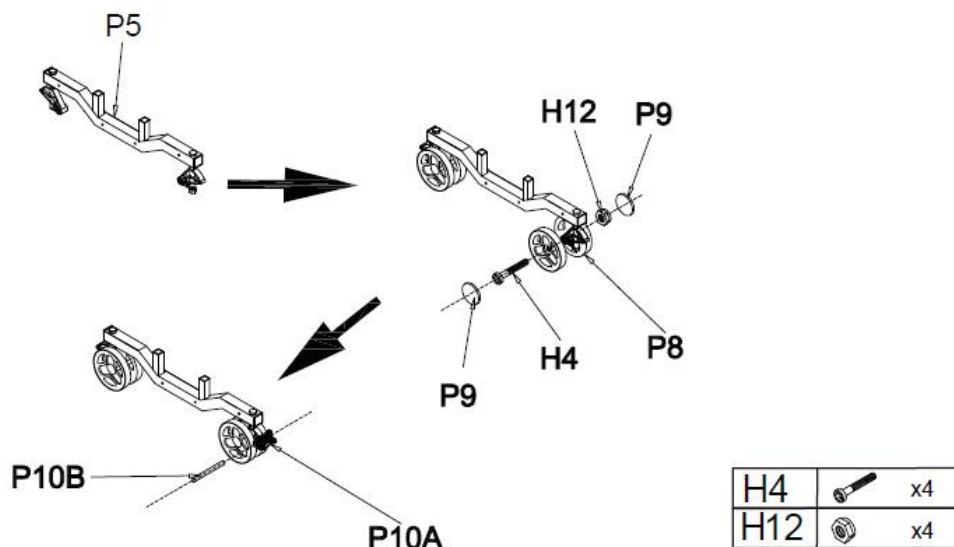
<p><b>P19</b></p>  <p>Latch</p> <p style="text-align: right;">x4pcs</p>	<p><b>H1</b></p>  <p>M6x90 Bolt</p> <p style="text-align: right;">x4pcs</p>	<p><b>H2</b></p>  <p>M6x85 Bolt</p> <p style="text-align: right;">x4pcs</p>
<p><b>H3</b></p>  <p>M6x70 Bolt</p> <p style="text-align: right;">x4pcs</p>	<p><b>H4</b></p>  <p>M8x60 Bolt</p> <p style="text-align: right;">x4pcs</p>	<p><b>H5</b></p>  <p>M6x55 Bolt</p> <p style="text-align: right;">x8pcs</p>
<p><b>H6</b></p>  <p>M8x45 Bolt</p> <p style="text-align: right;">x4pcs</p>	<p><b>H7</b></p>  <p>M8*Ø16*8 Plastic washer</p> <p style="text-align: right;">x4pcs</p>	<p><b>H8</b></p>  <p>M8*Ø16*13 Plastic washer</p> <p style="text-align: right;">x8pcs</p>
<p><b>H9</b></p>  <p>M8*Ø16*4 Plastic washer</p> <p style="text-align: right;">x4pcs</p>	<p><b>H10</b></p>  <p>M6*Ø12*2 Plastic washer</p> <p style="text-align: right;">x48pcs</p>	<p><b>H11</b></p>  <p>M6 Lock Nut</p> <p style="text-align: right;">x24pcs</p>
<p><b>H12</b></p>  <p>M8 Lock Nut</p> <p style="text-align: right;">x4pcs</p>	<p><b>H13</b></p>  <p>M3*8 Screw</p> <p style="text-align: right;">x10pcs</p>	<p><b>H14</b></p>  <p>4x25mm Screw</p> <p style="text-align: right;">x10pcs</p>
<p><b>H15</b></p>  <p>M6L Tool</p> <p style="text-align: right;">x1pc</p>	<p><b>H16</b></p>  <p>M4L Tool</p> <p style="text-align: right;">x1pc</p>	<p><b>H17</b></p>  <p>Open end wrench</p> <p style="text-align: right;">x2pcs</p>
<p><b>H18</b></p>  <p>Plastic cover</p> <p style="text-align: right;">x4pcs</p>		

## Product breakdown diagram



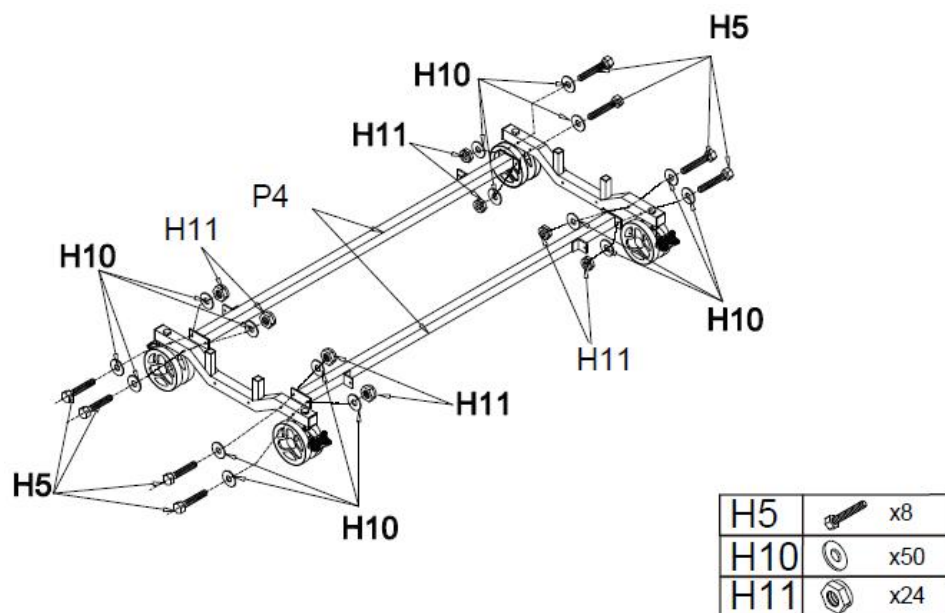
**FIGURE 1**

**OSTRZEŻENIE: OSOBY DOROSŁE POTRZEBUJĄ MONTAŻU STOŁU BASENOWEGO**

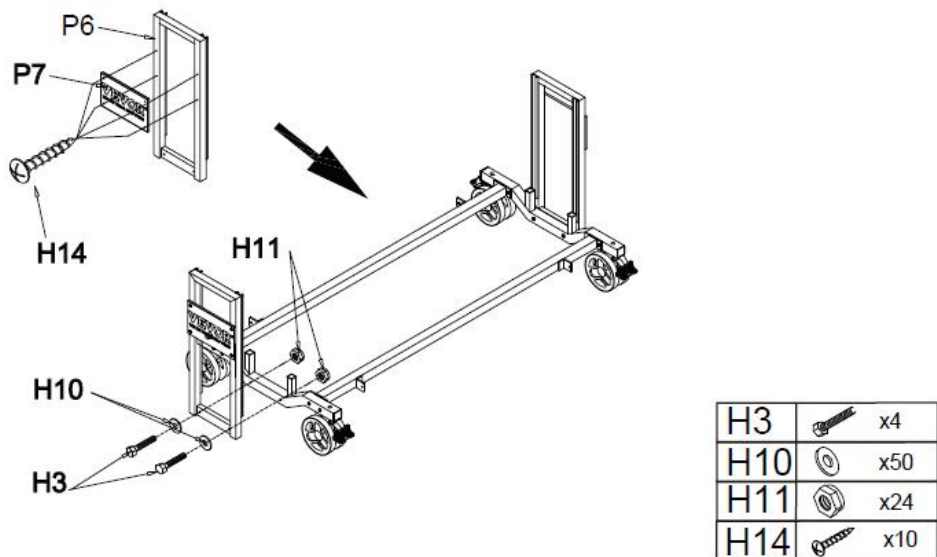


**FIGURE 2**

**OSTRZEŻENIE: OSOBY DOROSŁE POTRZEBUJĄ MONTAŻU STOŁU  
BASENOWEGO**

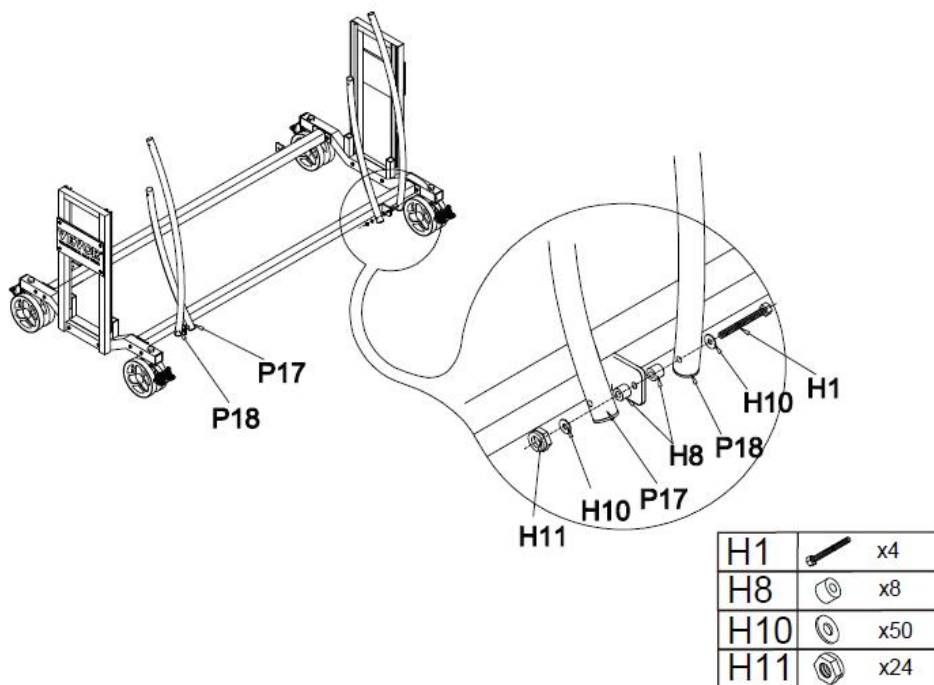


**FIGURE 3**

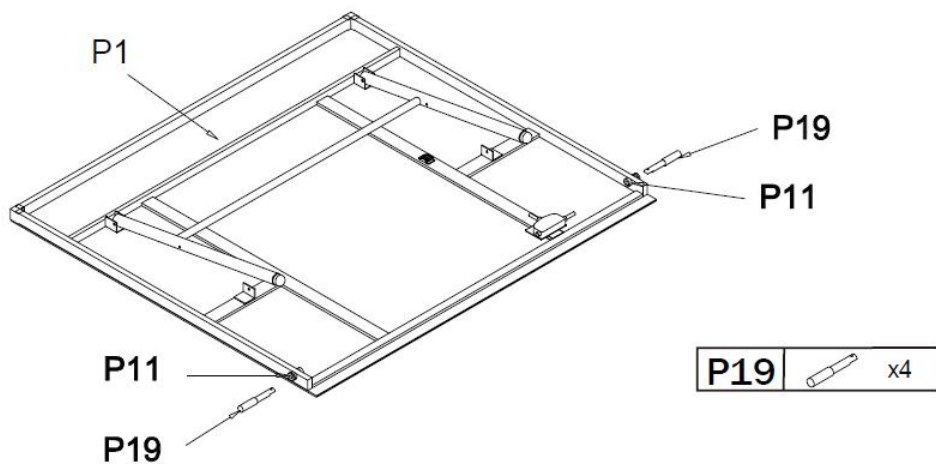


**FIGURE 4**

**OSTRZEŻENIE: OSOBY DOROSŁE POTRZEBUJĄ MONTAŻU STOŁU  
BASENOWEGO**



**FIGURE 5**



**FIGURE 6**

**OSTRZEŻENIE: OSOBY DOROSŁE POTRZEBUJĄ MONTAŻU STOŁU**

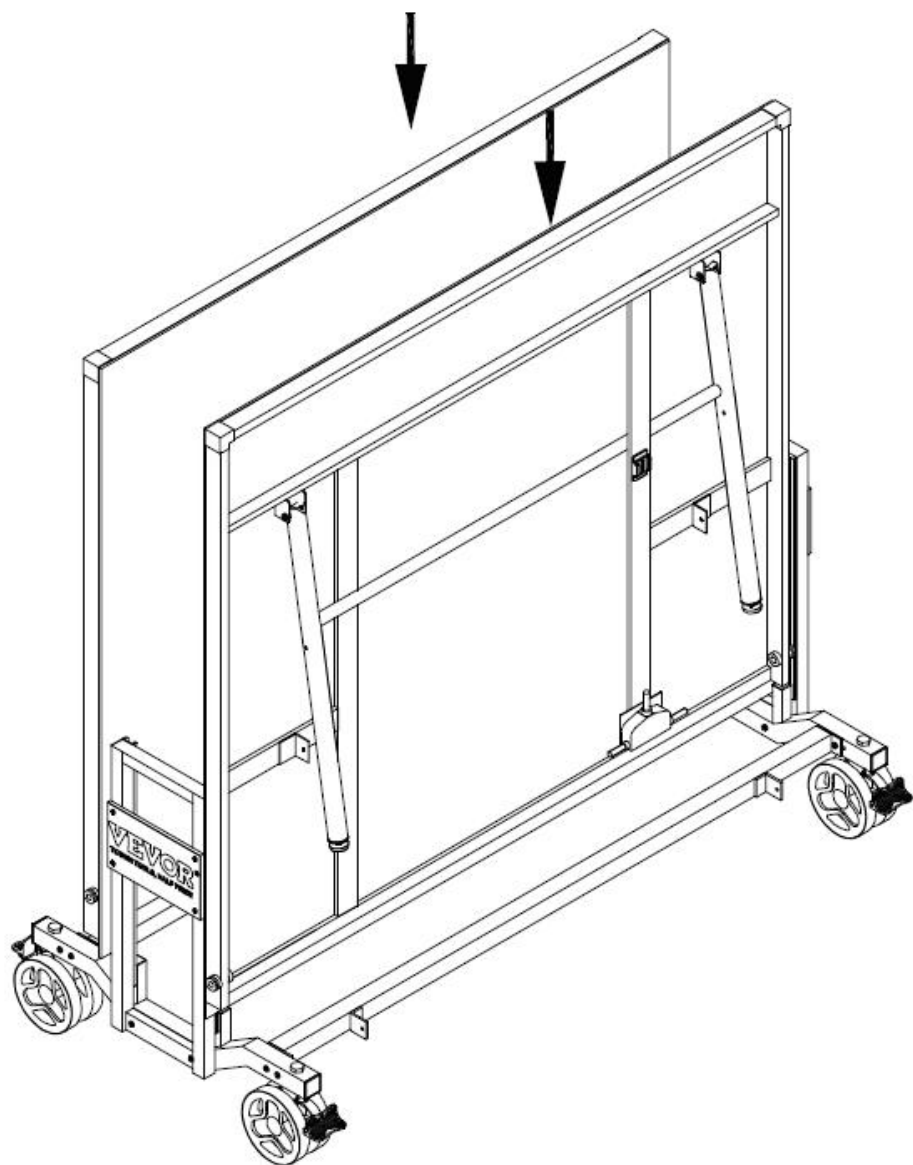
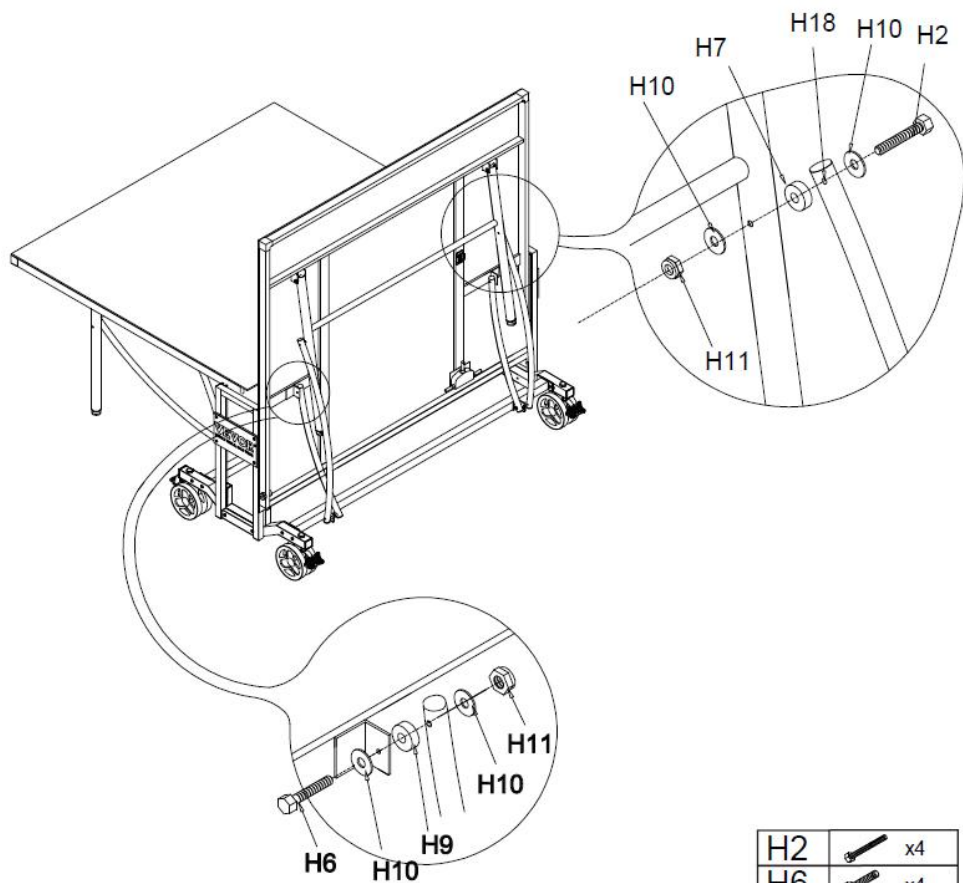






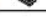


FIGURE 7

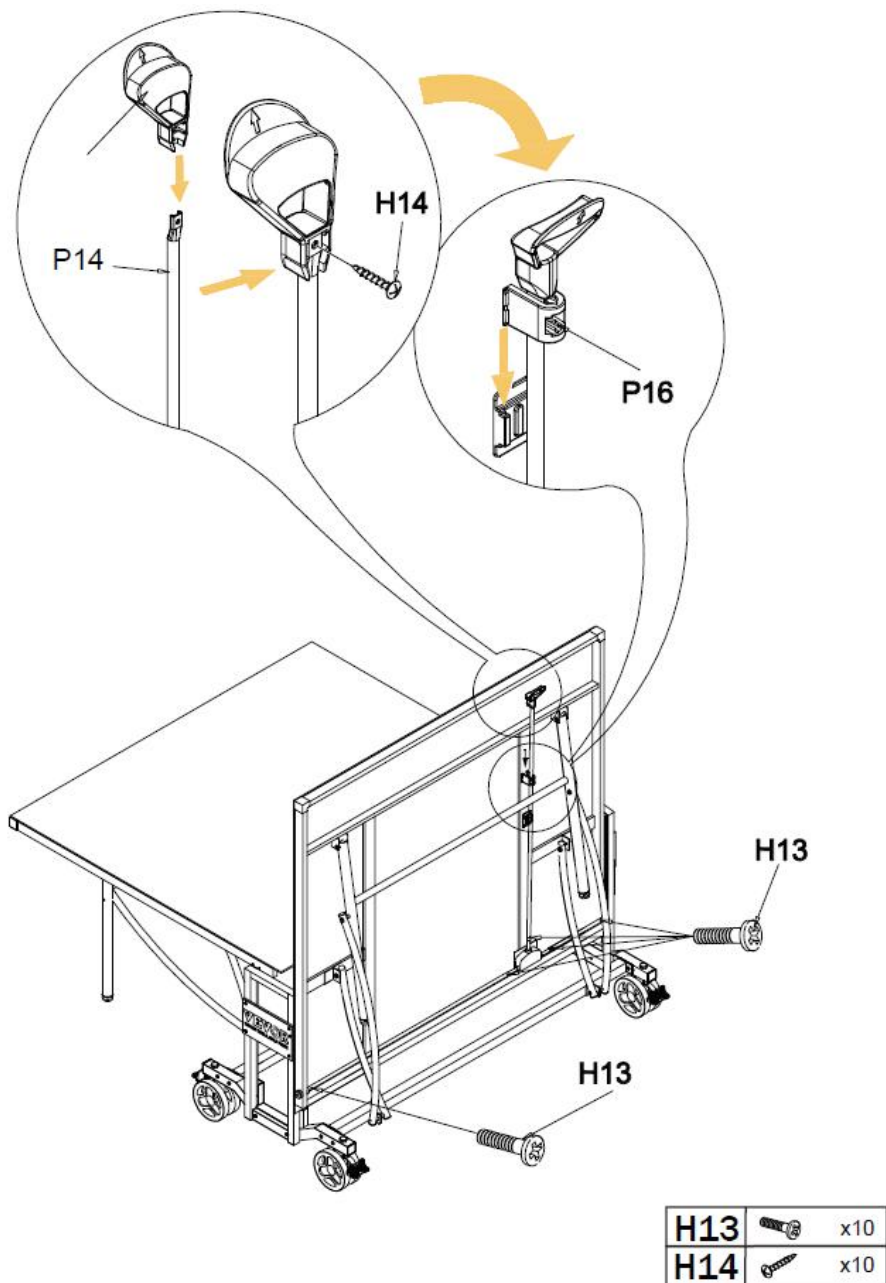
**OSTRZEŻENIE: OSOBY DOROSŁE POTRZEBUJĄ MONTAŻU STOŁU  
BASENOWEGO**



H2		x4
H6		x4
H7		x4
H9		x4
H10		x48
H11		x24
H18		x4

## FIGURE 8

OSTRZEŻENIE: OSOBY DOROSŁE POTRZEBUJĄ MONTAŻU STOŁU  
BASENOWEGO



**FIGURE 9**

**OSTRZEŻENIE: OSOBY DOROSŁE POTRZEBUJĄ MONTAŻU STOŁU**



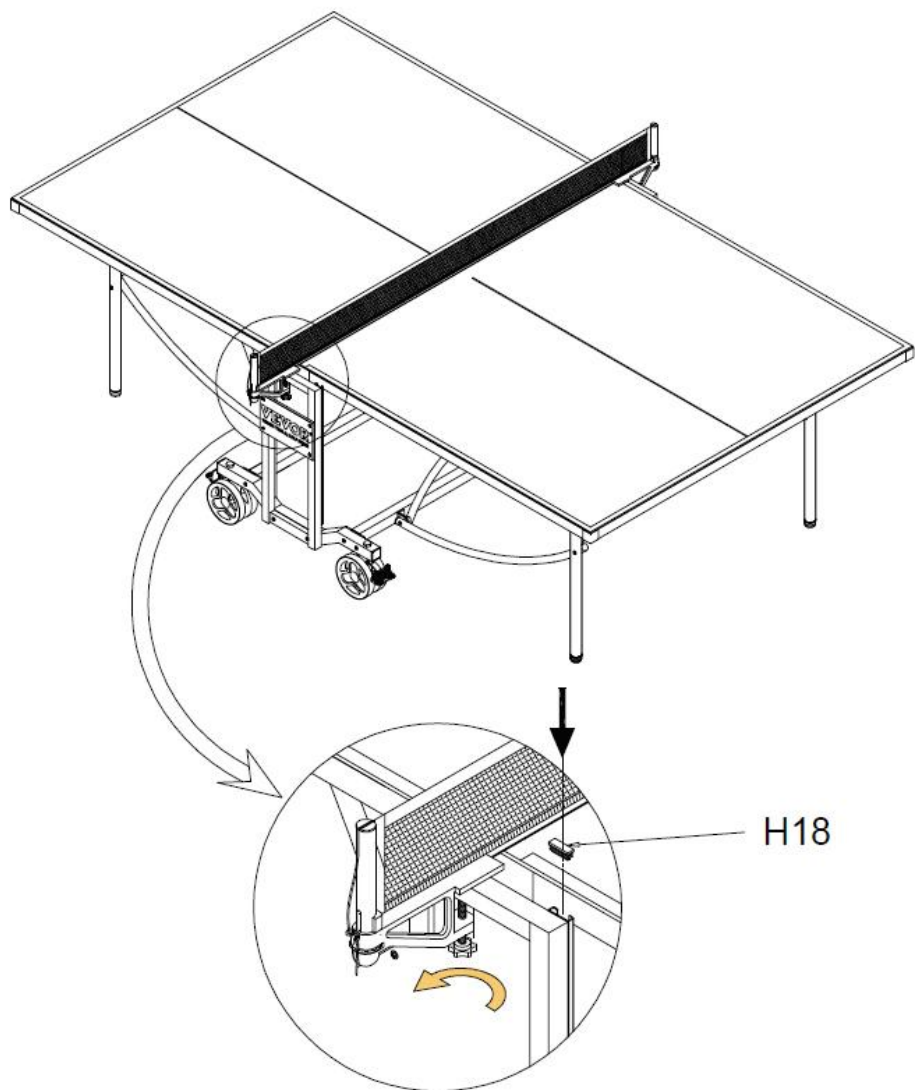
**NOTATKA:**

Gdy stwierdzisz, że podłoże jest nierówne, możesz wyregulować wysokość za pomocą poziomicy na nogach

**FIGURE 10**

**OSTRZEŻENIE: OSOBY DOROSŁE POTRZEBUJĄ MONTAŻU STOŁU**

# BASENOWEGO



H18		x4
-----	---	----

**Adres** : Shuangchenglu 803nong11hao1602A-1609shi, baoshanqu, szanghaj 200000 CN.

**Import do AUS:** SIHAO PTY LTD, 1 ROKEVA STREETEASTWOOD NSW 2122 Australia

**Import do USA:** Sanven Technology Ltd., Suite 250, 9166 Anaheim Place, Rancho Cucamonga, CA 91730

<b>EC</b>	<b>REP</b>
-----------	------------

E-CrossStu GmbH  
Mainzer Landstr.69, 60329 Frankfurt am Main.

<b>UK</b>	<b>REP</b>
-----------	------------

YH CONSULTING LIMITED.  
C/O YH Consulting Limited Office 147, Centurion House,  
London Road. Staines-upon-Thames. Surrey. TW18 4AX



**VEVOR<sup>®</sup>**

**TOUGH TOOLS, HALF PRICE**

**Techniczny Certyfikat wsparcia i e-gwarancji**

**[www.vevor.com/support](http://www.vevor.com/support)**

# **VEVOR<sup>®</sup>**

## **TOUGH TOOLS, HALF PRICE**

Technisch Ondersteuning en e-garantiecertificaat

[www.vevor.com/support](http://www.vevor.com/support)

## **TAFELTENNISTAFEL VOOR BUITEN**

**MODEL: VT003**

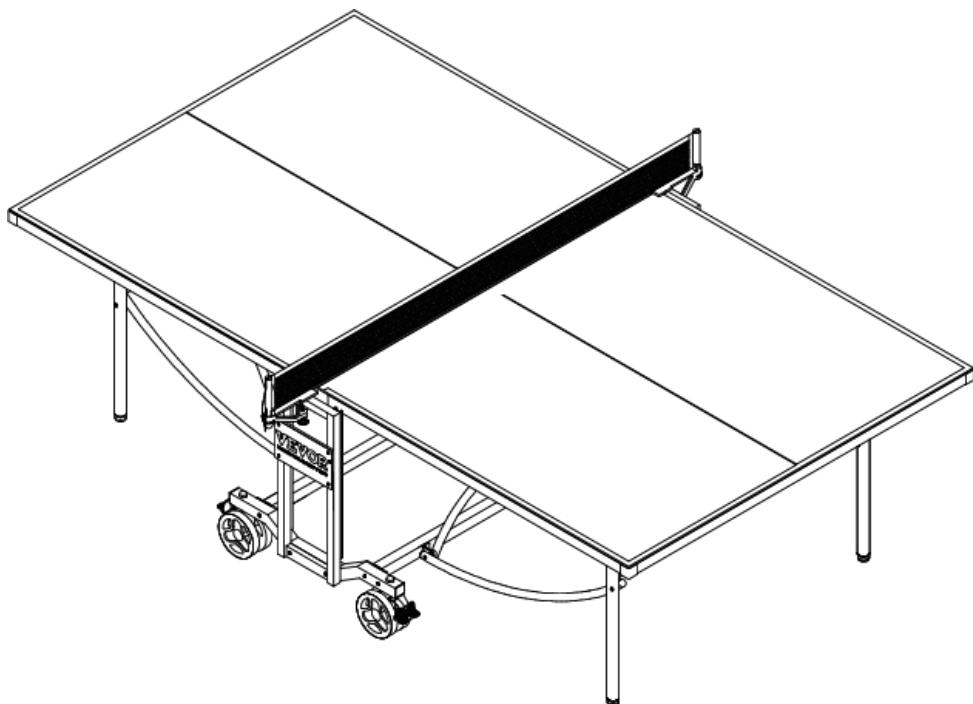
We continue to be committed to provide you tools with competitive price.

"Save Half", "Half Price" or any other similar expressions used by us only represents an estimate of savings you might benefit from buying certain tools with us compared to the major top brands and does not necessarily mean to cover all categories of tools offered by us. You are kindly reminded to verify carefully when you are placing an order with us if you are actually saving half in comparison with the top major brands.

# VEVOR®

TOUGH TOOLS, HALF PRICE

OUTDOOR TABLE  
TENNIS TABLE



## NEED HELP? CONTACT US!

Have product questions? Need technical support? Please feel free to contact us:

**Technical Support and E-Warranty Certificate**  
**[www.vevor.com/support](http://www.vevor.com/support)**

This is the original instruction, please read all manual instructions carefully before operating. VEVOR reserves a clear interpretation of our user manual. The appearance of the product shall be subject to the product you received. Please forgive us that we won't inform you again if there are any technology or software updates on our product.

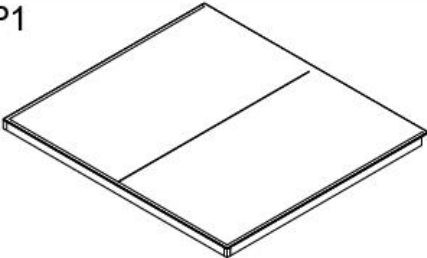



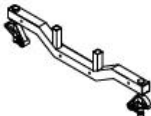













## PRODUCT PARAMETERS

Model	Product grootte (mm)	Locatie van gebruik	Paneeldikte
VT003	2740X1525X760	Buitenshuis	6 mm




















### Omgaan met apparatuur en onderhoud

31. Zorg ervoor dat de tafeltennistafel vóór gebruik volledig en nauwkeurig is gemonteerd.
32. De tafel mag niet door kinderen worden verplaatst, gemonteerd of opgeslagen zonder toezicht van volwassenen.
33. Zet de tafel op een vlakke ondergrond.
34. Dek hem niet af met plasticfolie, omdat daaronder condens kan ontstaan.
35. Gebruik geen bijtende of schurende materialen om de apparatuur schoon te maken, aangezien dit de oppervlakken van de tafel kan beschadigen. In de meeste gevallen is een licht vochtige doek voldoende .

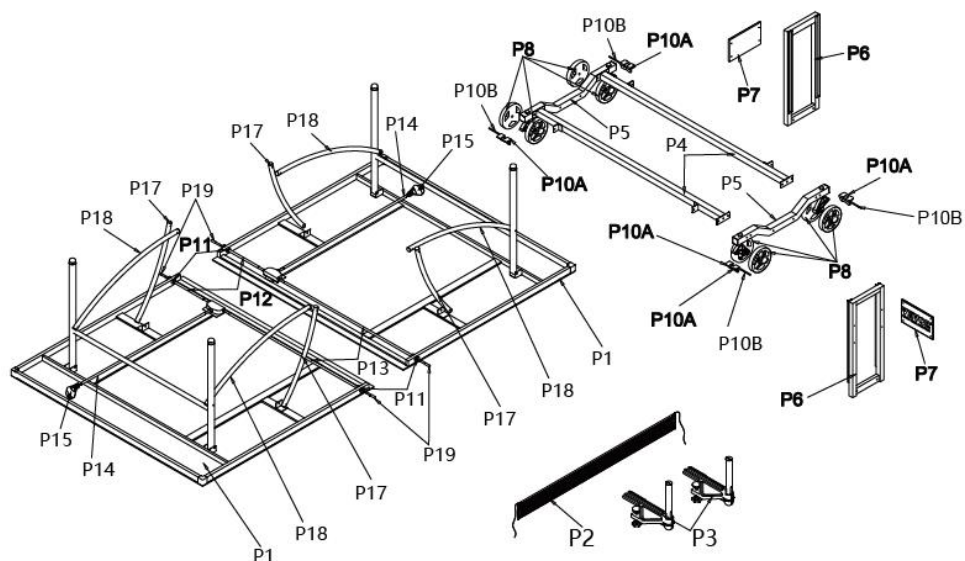
## PARTS IDENTIFIER

<p>P1</p>  <p>Table Tennis Top</p> <p>x2pcs</p>	<p>P2</p>  <p>Table Tennis Net</p> <p>x1pc</p>	<p>P3</p>  <p>Table Tennis Post</p> <p>x2pcs</p>
<p>P4</p>  <p>Connecti</p> <p>x2pcs</p>	<p>P5</p>  <p>Chassis</p> <p>x2pcs</p>	<p>P6</p>  <p>Side panel border</p> <p>x2pcs</p>
<p>P7</p>  <p>Poster board</p> <p>x2pcs</p>	<p>P8</p>  <p>Wheel</p> <p>x4set</p>	<p>P9</p>  <p>Wheel cover</p> <p>x8pcs</p>
<p>P10</p>  <p>P10B P10A</p> <p>Wheel brake pads</p> <p>x4set</p>	<p>P11</p>  <p>Sliding groove plastic screw</p> <p>x4set</p>	<p>P12</p>  <p>Circular tube</p> <p>x2pcs</p>
<p>P13</p>  <p>Circular tube</p> <p>x2pcs</p>	<p>P14</p>  <p>Circular tube</p> <p>x2pcs</p>	<p>P15</p>  <p>Handlebar</p> <p>x2pcs</p>
<p>P16</p>  <p>Plastic card slot</p> <p>x2pcs</p>	<p>P17</p>  <p>Circular tube</p> <p>x4pcs</p>	<p>P18</p>  <p>Circular tube</p> <p>x4pcs</p>

## PARTS IDENTIFIER

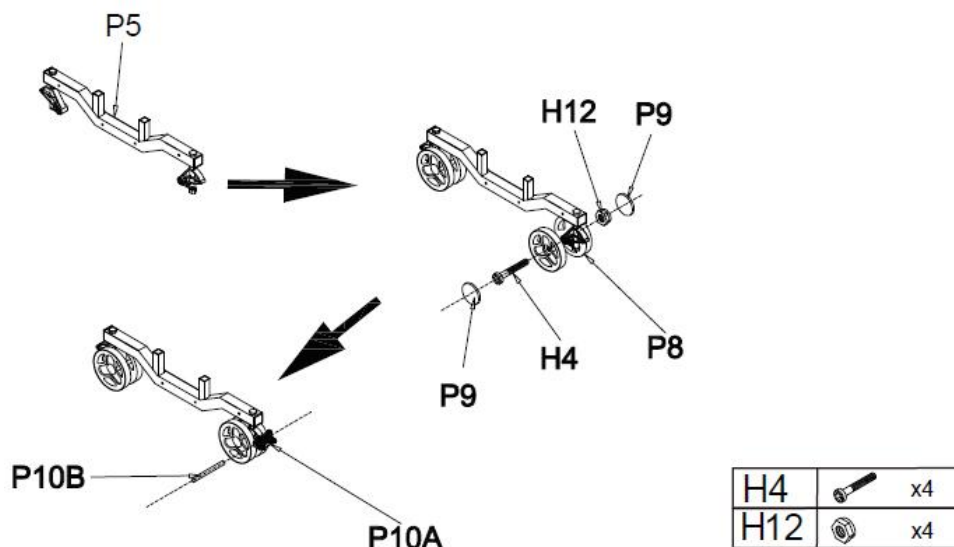
<p><b>P19</b></p>  <p>Latch</p> <p style="text-align: right;">x4pcs</p>	<p><b>H1</b></p>  <p>M6x90 Bolt</p> <p style="text-align: right;">x4pcs</p>	<p><b>H2</b></p>  <p>M6x85 Bolt</p> <p style="text-align: right;">x4pcs</p>
<p><b>H3</b></p>  <p>M6x70 Bolt</p> <p style="text-align: right;">x4pcs</p>	<p><b>H4</b></p>  <p>M8x60 Bolt</p> <p style="text-align: right;">x4pcs</p>	<p><b>H5</b></p>  <p>M6x55 Bolt</p> <p style="text-align: right;">x8pcs</p>
<p><b>H6</b></p>  <p>M8x45 Bolt</p> <p style="text-align: right;">x4pcs</p>	<p><b>H7</b></p>  <p>M8*Ø16*8 Plastic washer</p> <p style="text-align: right;">x4pcs</p>	<p><b>H8</b></p>  <p>M8*Ø16*13 Plastic washer</p> <p style="text-align: right;">x8pcs</p>
<p><b>H9</b></p>  <p>M8*Ø16*4 Plastic washer</p> <p style="text-align: right;">x4pcs</p>	<p><b>H10</b></p>  <p>M6*Ø12*2 Plastic washer</p> <p style="text-align: right;">x48pcs</p>	<p><b>H11</b></p>  <p>M6 Lock Nut</p> <p style="text-align: right;">x24pcs</p>
<p><b>H12</b></p>  <p>M8 Lock Nut</p> <p style="text-align: right;">x4pcs</p>	<p><b>H13</b></p>  <p>M3*8 Screw</p> <p style="text-align: right;">x10pcs</p>	<p><b>H14</b></p>  <p>4x25mm Screw</p> <p style="text-align: right;">x10pcs</p>
<p><b>H15</b></p>  <p>M6L Tool</p> <p style="text-align: right;">x1pc</p>	<p><b>H16</b></p>  <p>M4L Tool</p> <p style="text-align: right;">x1pc</p>	<p><b>H17</b></p>  <p>Open end wrench</p> <p style="text-align: right;">x2pcs</p>
<p><b>H18</b></p>  <p>Plastic cover</p> <p style="text-align: right;">x4pcs</p>		

## Product breakdown diagram



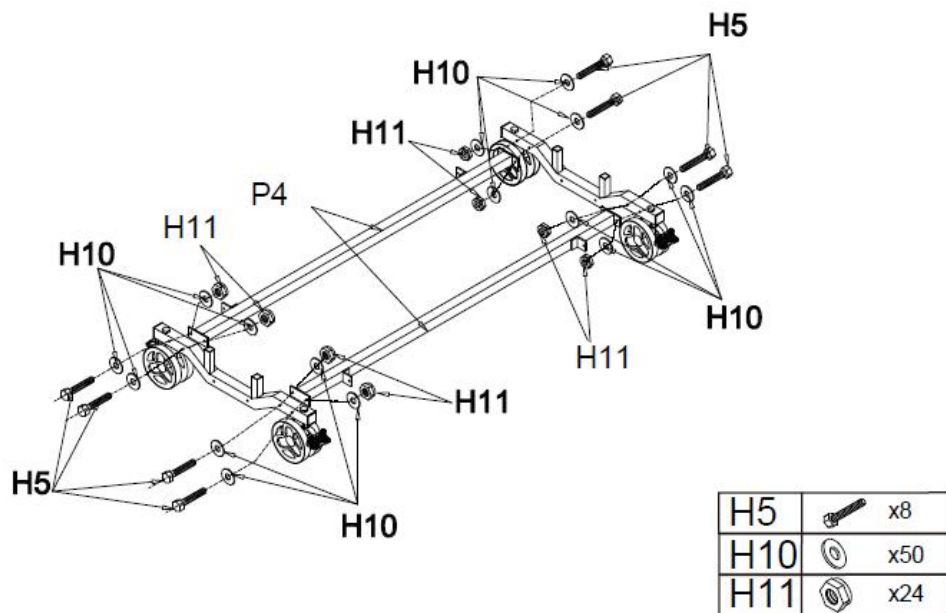
**FIGURE 1**

**WAARSCHUWING: SLEEP VOLWASSENEN NODIG MONTEER  
ZWEMBADTAFEL**

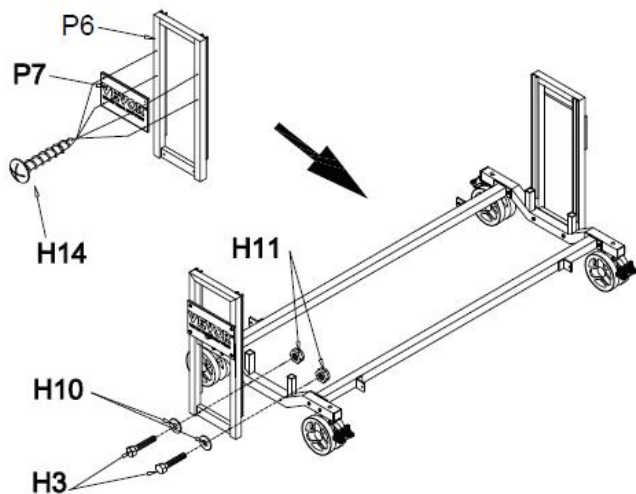






**FIGURE 2**

WAARSCHUWING: SLEEP VOLWASSENEN NODIG MONTEER  
ZWEMBADTAFEL



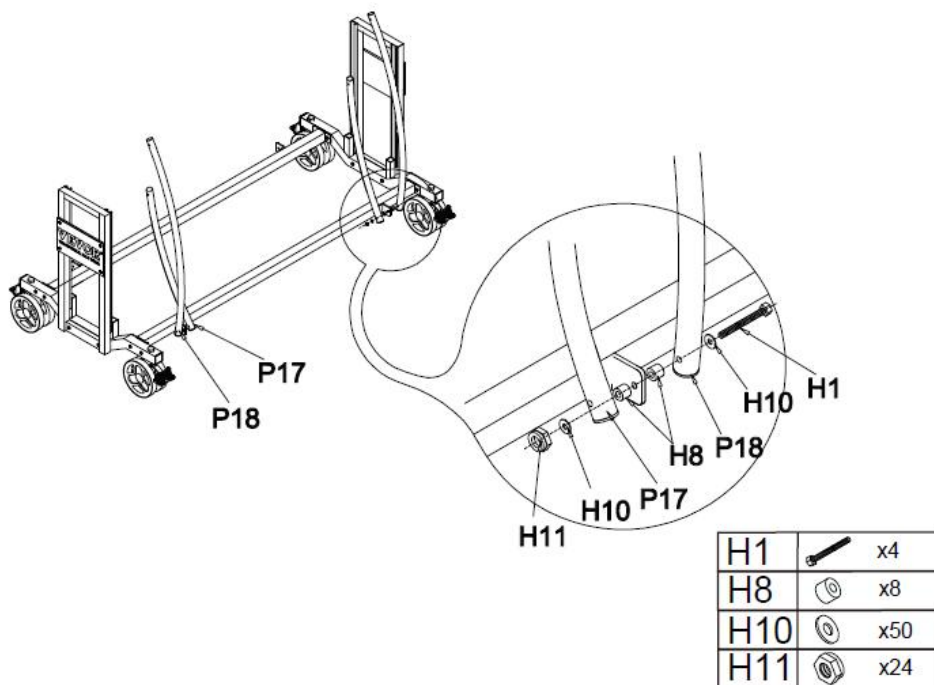
**FIGURE 3**



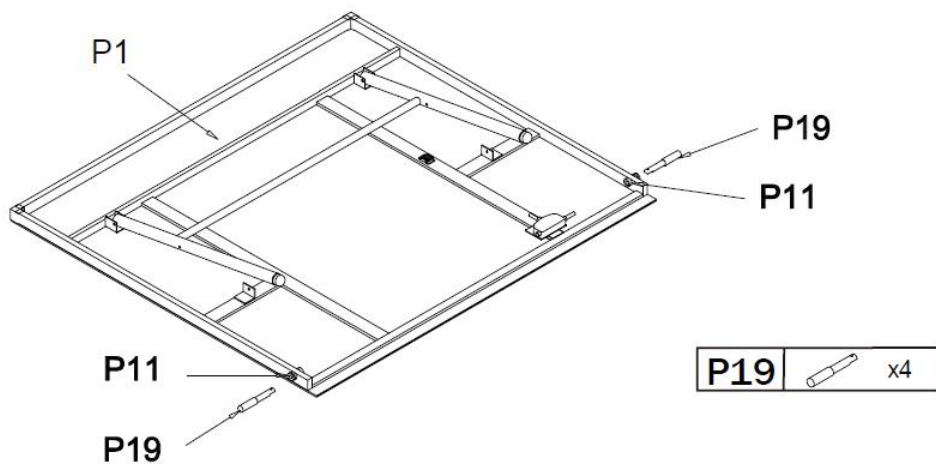
H3		x4
H10		x50
H11		x24
H14		x10

**FIGURE 4**

**WAARSCHUWING: SLEEF VOLWASSENEN NODIG MONTEER  
ZWEMBADTAFEL**



**FIGURE 5**



**FIGURE 6**

**WAARSCHUWING: SLEEP VOLWASSENEN NODIG MONTEER**

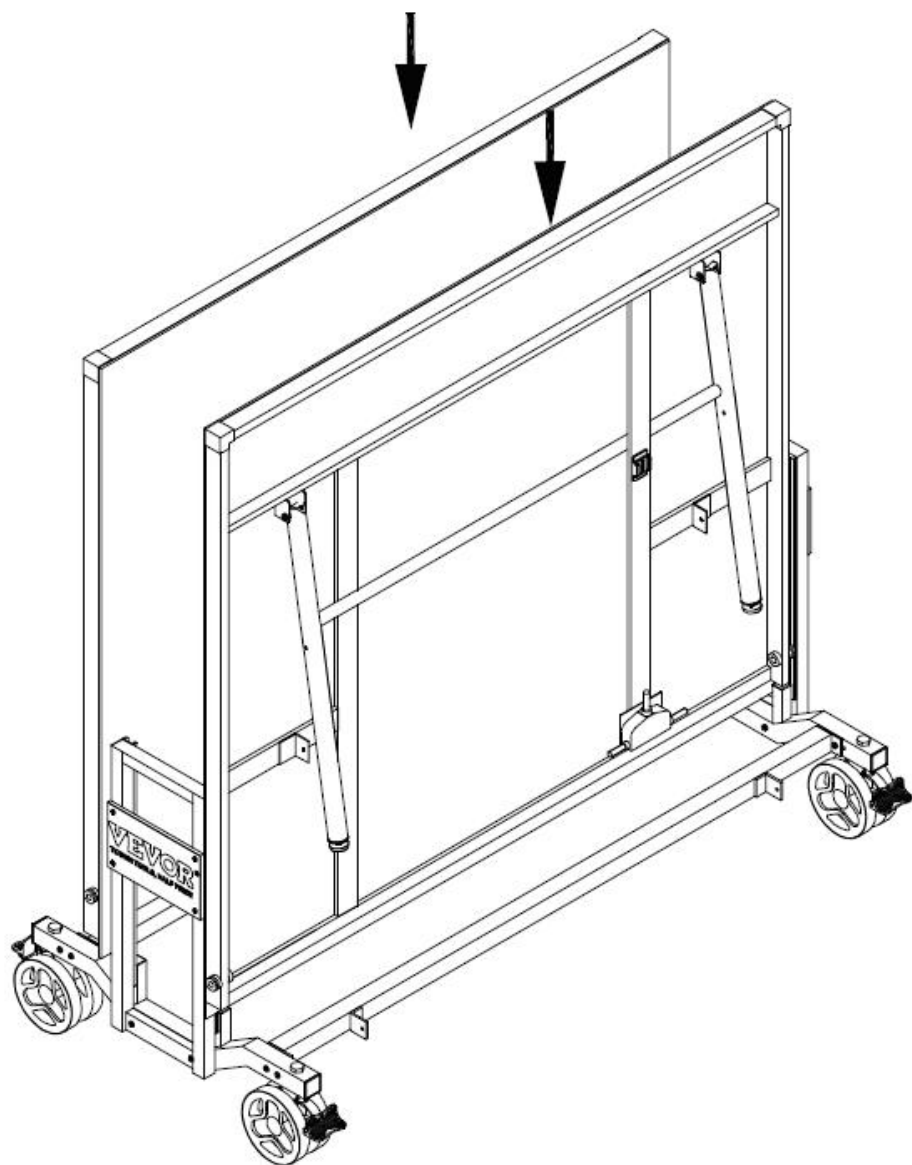
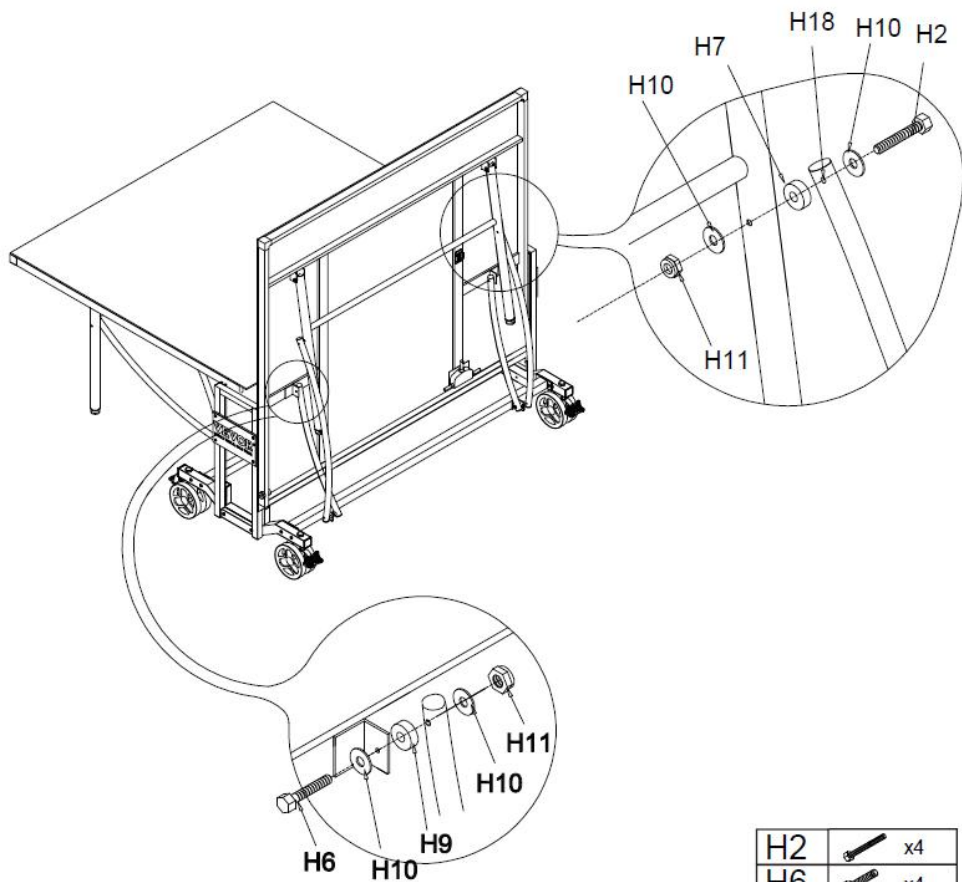






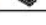


FIGURE 7

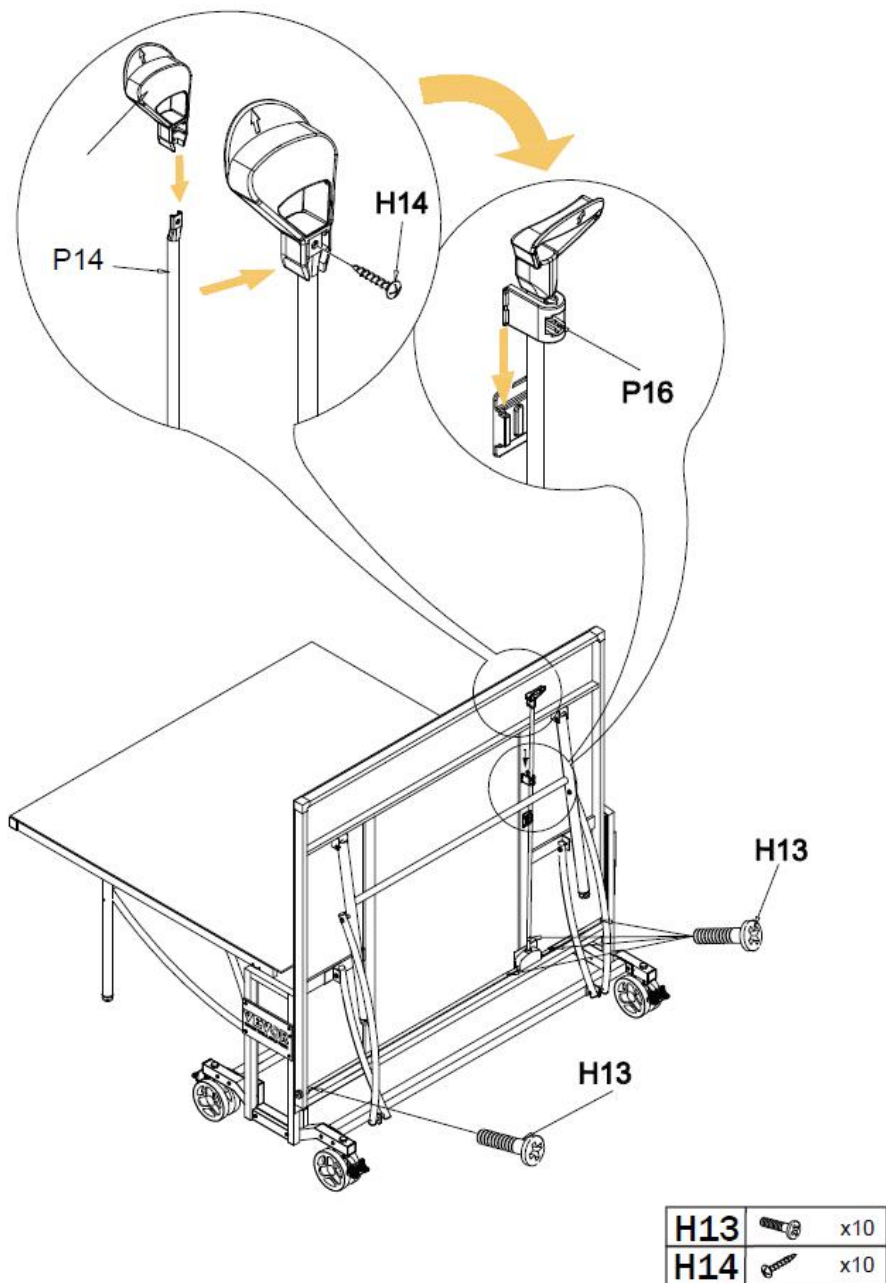
WAARSCHUWING: SLEEF VOLWASSENEN NODIG MONTEER  
 ZWEMBADTAFEL



H2		x4
H6		x4
H7		x4
H9		x4
H10		x48
H11		x24
H18		x4

## FIGURE 8

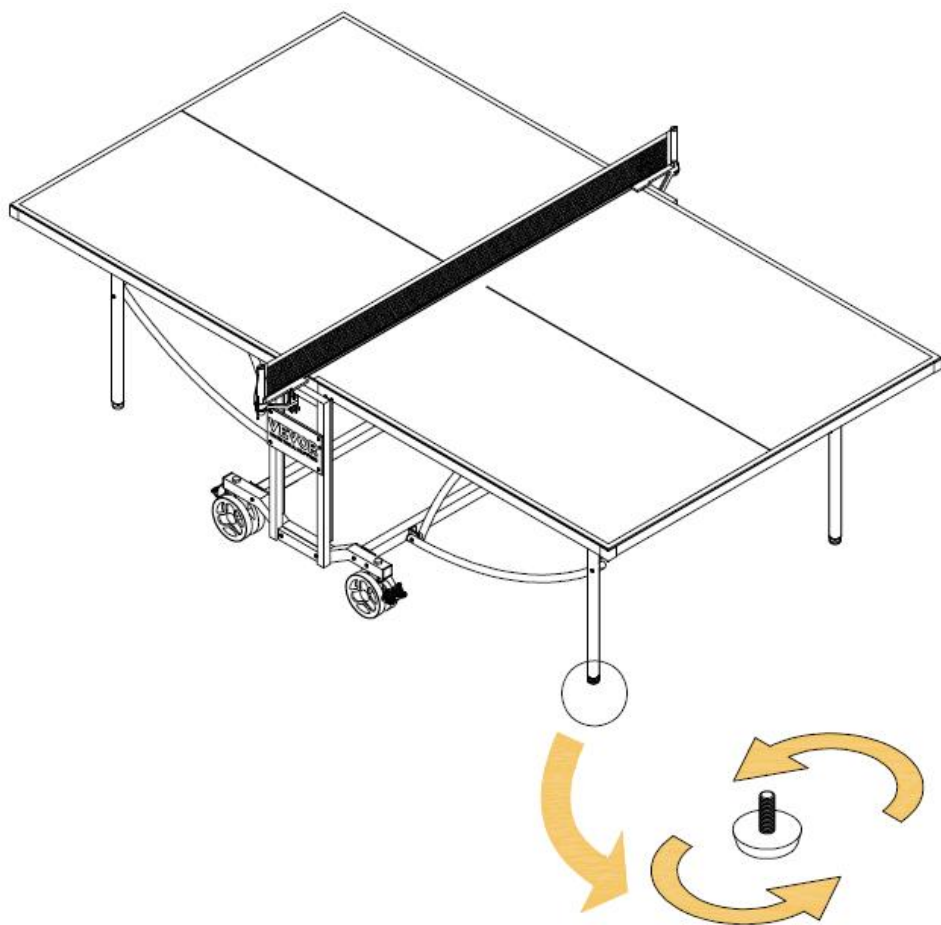
WAARSCHUWING: SLEEP VOLWASSENEN NODIG MONTEER  
ZWEMBADTAFEL



**FIGURE 9**

WAARSCHUWING: SLEEP VOLWASSENEN NODIG MONTEER

## ZWEMBADTAFEL



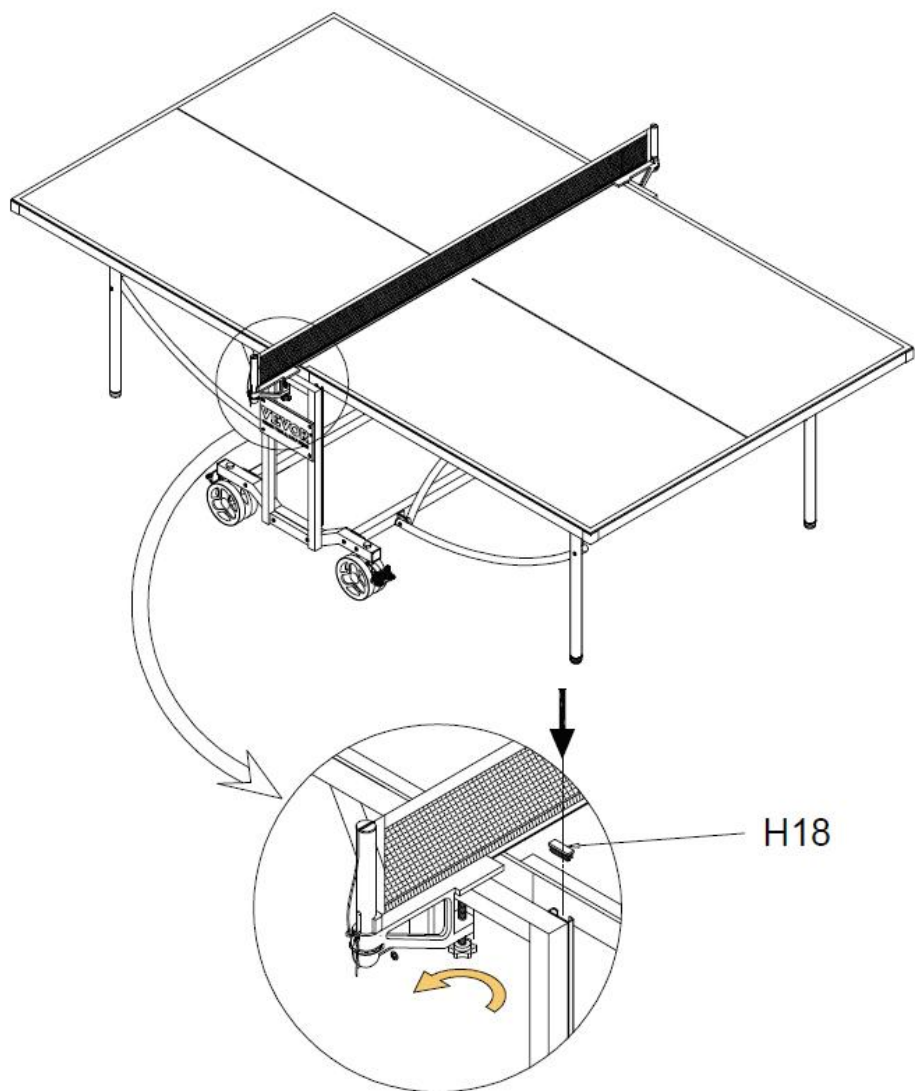
### OPMERKING:

Als u merkt dat de grond oneffen is, kunt u de hoogte aanpassen met behulp van de poten

**FIGURE 10**

**WAARSCHUWING: SLEEP VOLWASSENEN NODIG MONTEER**

# ZWEMBADTAFEL



H18		x4
-----	---	----

**Adres** : Shuangchenglu 803nong11hao1602A-1609shi, baoshanqu, shanghai 200000 CN.

**Geïmporteerd naar AUS:** SIHAO PTY LTD, 1 ROKEVA  
STREETEASTWOOD NSW 2122 Australië

**Geïmporteerd naar de VS:** Sanven Technology Ltd., Suite 250, 9166  
Anaheim Place, Rancho Cucamonga, CA 91730

<b>EC</b>	<b>REP</b>
-----------	------------

E-CrossStu GmbH  
Mainzer Landstr.69, 60329 Frankfurt am Main.

<b>UK</b>	<b>REP</b>
-----------	------------

YH CONSULTING LIMITED.  
C/O YH Consulting Limited Office 147, Centurion House,  
London Road. Staines-upon-Thames. Surrey. TW18 4AX



**VEVOR**<sup>®</sup>

**TOUGH TOOLS, HALF PRICE**

**Technisch Ondersteuning en e-garantiecertificaat**

**[www.vevor.com/support](http://www.vevor.com/support)**

# **VEVOR<sup>®</sup>**

## **TOUGH TOOLS, HALF PRICE**

Teknisk Support och e-garanticertifikat

[www.vevor.com/support](http://www.vevor.com/support)

## **UTOMHUS BORDTENNISBORD**

**MODELL: VT003**

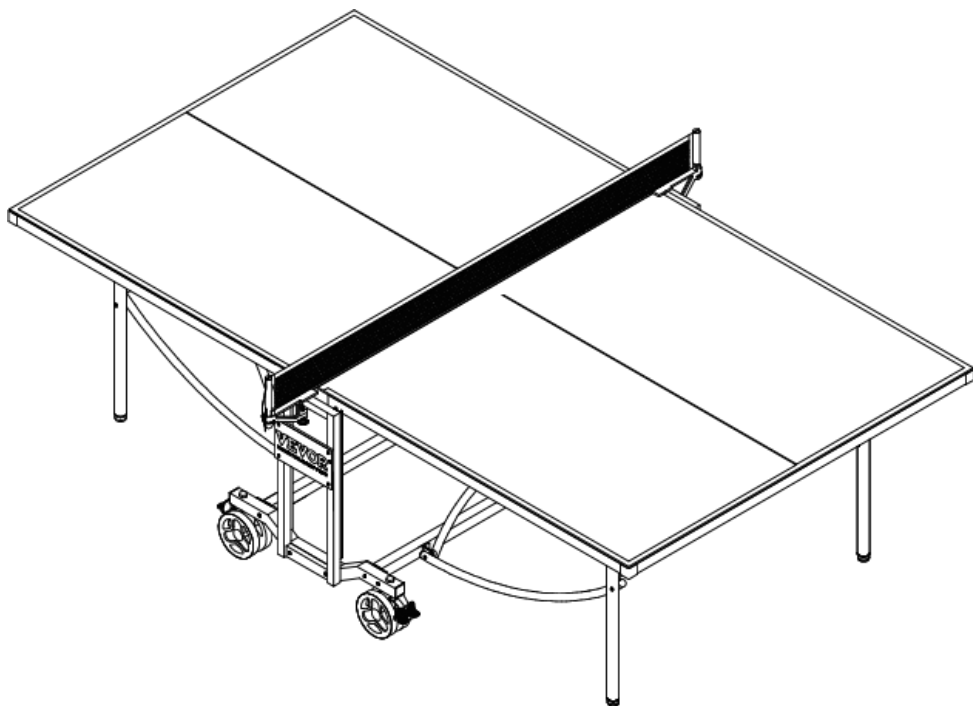
We continue to be committed to provide you tools with competitive price.

"Save Half", "Half Price" or any other similar expressions used by us only represents an estimate of savings you might benefit from buying certain tools with us compared to the major top brands and does not necessarily mean to cover all categories of tools offered by us. You are kindly reminded to verify carefully when you are placing an order with us if you are actually saving half in comparison with the top major brands.

# VEVOR<sup>®</sup>

TOUGH TOOLS, HALF PRICE

OUTDOOR TABLE  
TENNIS TABLE



## NEED HELP? CONTACT US!

Have product questions? Need technical support? Please feel free to contact us:

**Technical Support and E-Warranty Certificate**  
**[www.vevor.com/support](http://www.vevor.com/support)**

This is the original instruction, please read all manual instructions carefully before operating. VEVOR reserves a clear interpretation of our user manual. The appearance of the product shall be subject to the product you received. Please forgive us that we won't inform you again if there are any technology or software updates on our product.

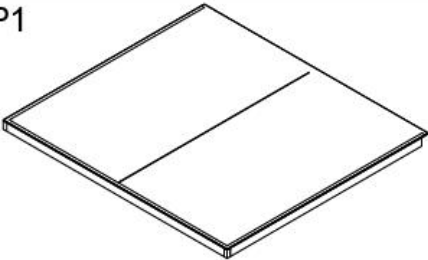



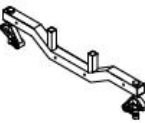
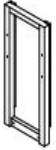



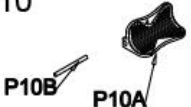








## PRODUCT PARAMETERS

Modell	Produktstorlek (mm)	Användningsplats	Paneltjocklek
VT003	2740X1525X760	Utomhus	6 mm




















### Hantering av utrustning och underhåll

36. Se till att bordtennisbordet är helt och noggrant monterat före användning.
37. Bordet bör inte flyttas, monteras eller förvaras av barn utan uppsikt av vuxen.
38. Ställ upp bordet på en jämn yta.
39. Täck den inte med plastfolie eftersom kondens kan bildas under den.
40. Använd inte frätande eller nötande material för att rengöra utrustningen eftersom det kan skada bordets ytor. I de flesta fall räcker det med en lätt fuktad trasa .

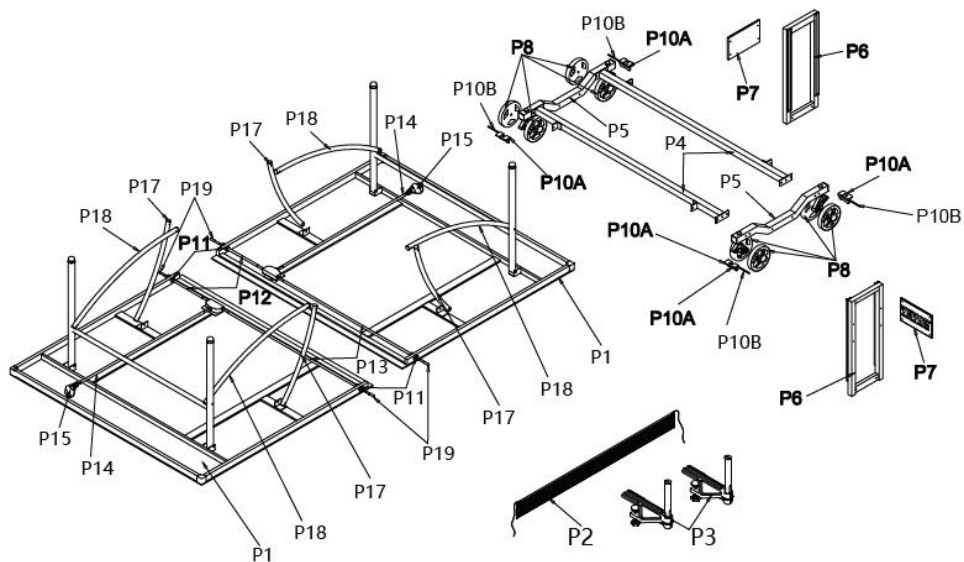
## PARTS IDENTIFIER

<p>P1</p>  <p>Table Tennis Top</p> <p>x2pcs</p>	<p>P2</p>  <p>Table Tennis Net</p> <p>x1pc</p>	<p>P3</p>  <p>Table Tennis Post</p> <p>x2pcs</p>
<p>P4</p>  <p>Connecti</p> <p>x2pcs</p>	<p>P5</p>  <p>Chassis</p> <p>x2pcs</p>	<p>P6</p>  <p>Side panel border</p> <p>x2pcs</p>
<p>P7</p>  <p>Poster board</p> <p>x2pcs</p>	<p>P8</p>  <p>Wheel</p> <p>x4set</p>	<p>P9</p>  <p>Wheel cover</p> <p>x8pcs</p>
<p>P10</p>  <p>P10B P10A</p> <p>Wheel brake pads</p> <p>x4set</p>	<p>P11</p>  <p>Sliding groove plastic screw</p> <p>x4set</p>	<p>P12</p>  <p>Circular tube</p> <p>x2pcs</p>
<p>P13</p>  <p>Circular tube</p> <p>x2pcs</p>	<p>P14</p>  <p>Circular tube</p> <p>x2pcs</p>	<p>P15</p>  <p>Handlebar</p> <p>x2pcs</p>
<p>P16</p>  <p>Plastic card slot</p> <p>x2pcs</p>	<p>P17</p>  <p>Circular tube</p> <p>x4pcs</p>	<p>P18</p>  <p>Circular tube</p> <p>x4pcs</p>

## PARTS IDENTIFIER

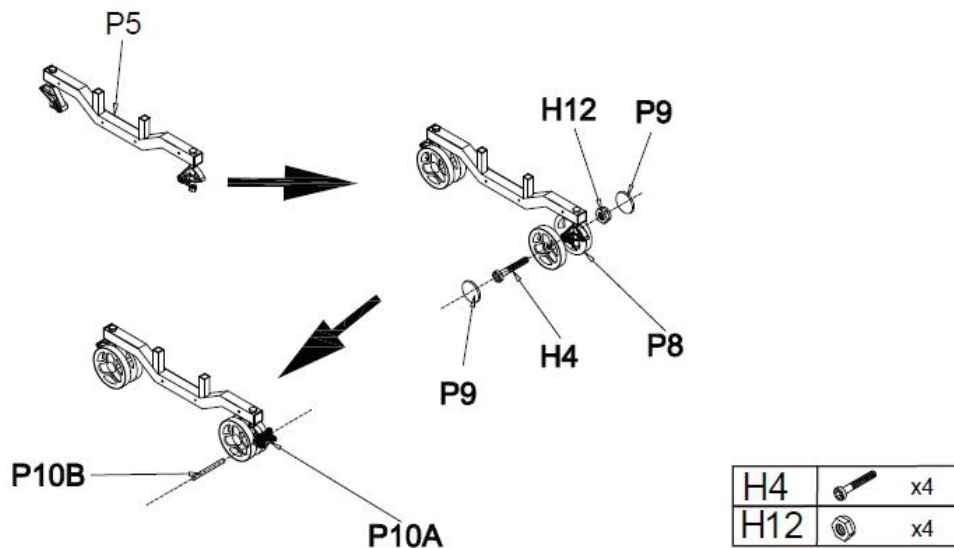
<p>P19</p>  <p>Latch</p> <p>x4pcs</p>	<p>H1</p>  <p>M6x90 Bolt</p> <p>x4pcs</p>	<p>H2</p>  <p>M6x85 Bolt</p> <p>x4pcs</p>
<p>H3</p>  <p>M6x70 Bolt</p> <p>x4pcs</p>	<p>H4</p>  <p>M8x60 Bolt</p> <p>x4pcs</p>	<p>H5</p>  <p>M6x55 Bolt</p> <p>x8pcs</p>
<p>H6</p>  <p>M8x45 Bolt</p> <p>x4pcs</p>	<p>H7</p>  <p>M8*Ø16*8 Plastic washer</p> <p>x4pcs</p>	<p>H8</p>  <p>M8*Ø16*13 Plastic washer</p> <p>x8pcs</p>
<p>H9</p>  <p>M8*Ø16*4 Plastic washer</p> <p>x4pcs</p>	<p>H10</p>  <p>M6*Ø12*2 Plastic washer</p> <p>x48pcs</p>	<p>H11</p>  <p>M6 Lock Nut</p> <p>x24pcs</p>
<p>H12</p>  <p>M8 Lock Nut</p> <p>x4pcs</p>	<p>H13</p>  <p>M3*8 Screw</p> <p>x10pcs</p>	<p>H14</p>  <p>4x25mm Screw</p> <p>x10pcs</p>
<p>H15</p>  <p>M6L Tool</p> <p>x1pc</p>	<p>H16</p>  <p>M4L Tool</p> <p>x1pc</p>	<p>H17</p>  <p>Open end wrench</p> <p>x2pcs</p>
<p>H18</p>  <p>Plastic cover</p> <p>x4pcs</p>		

## Product breakdown diagram



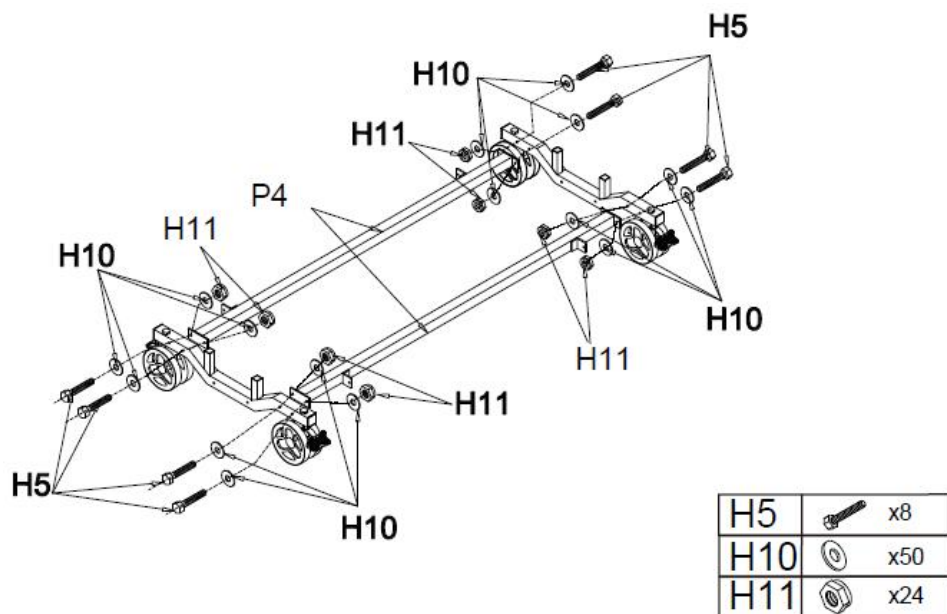
**FIGURE 1**

**VARNING: DRAG VUXNA BEHÖVER MONTERA BILJARDBORD**

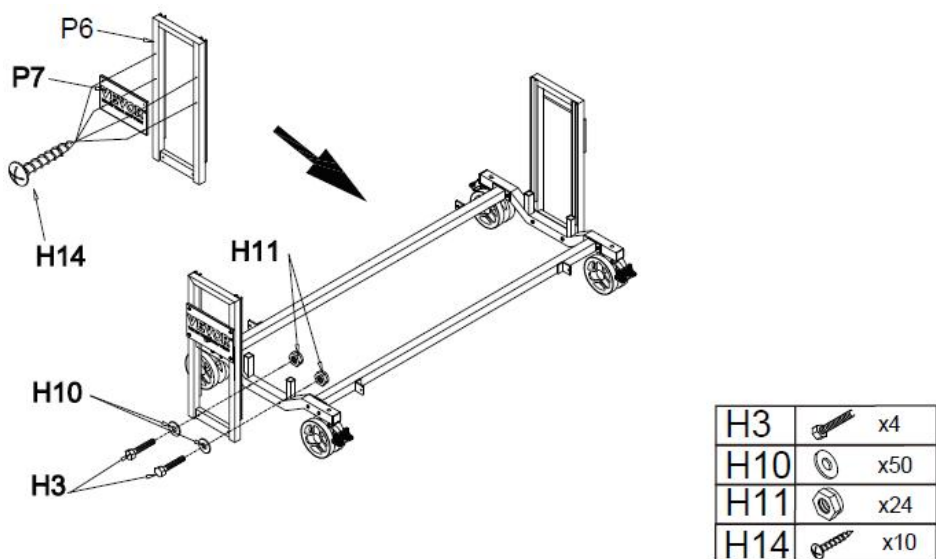


**FIGURE 2**

**VARNING: DRAG VUXNA BEHÖVER MONTERA BILJARDBORD**

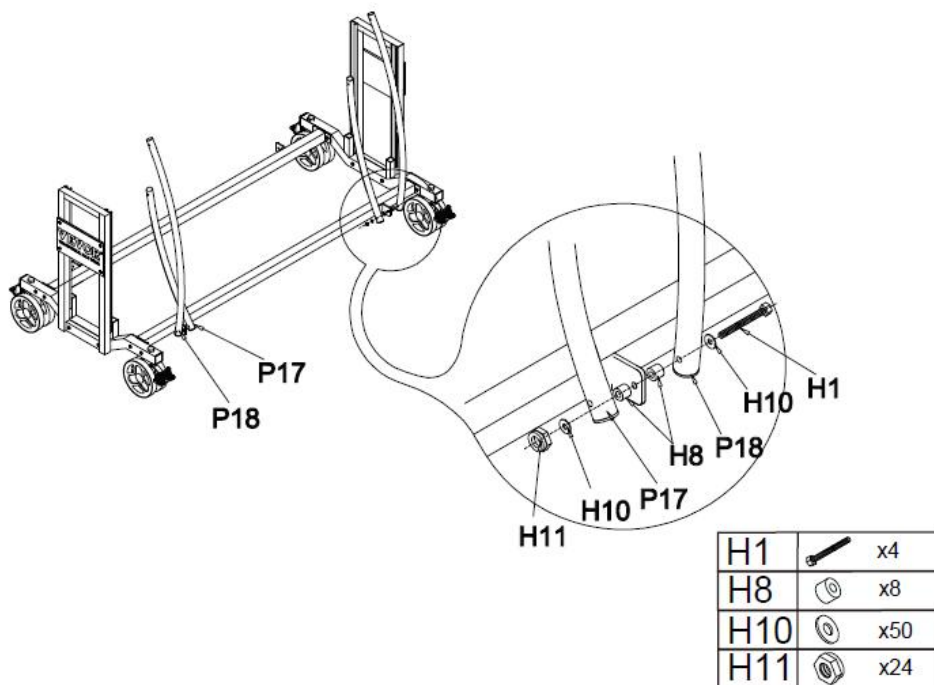


**FIGURE 3**

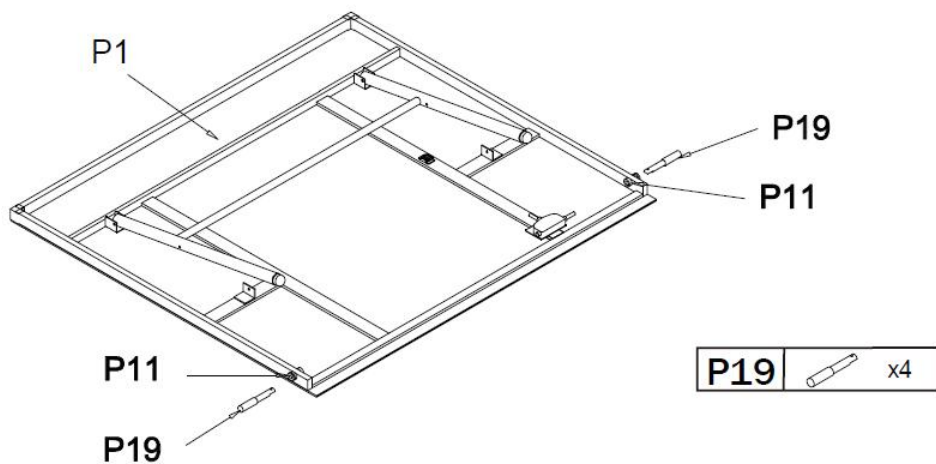


**FIGURE 4**

**VARNING: DRAG VUXNA BEHÖVER MONTERA BILJARDBORD**

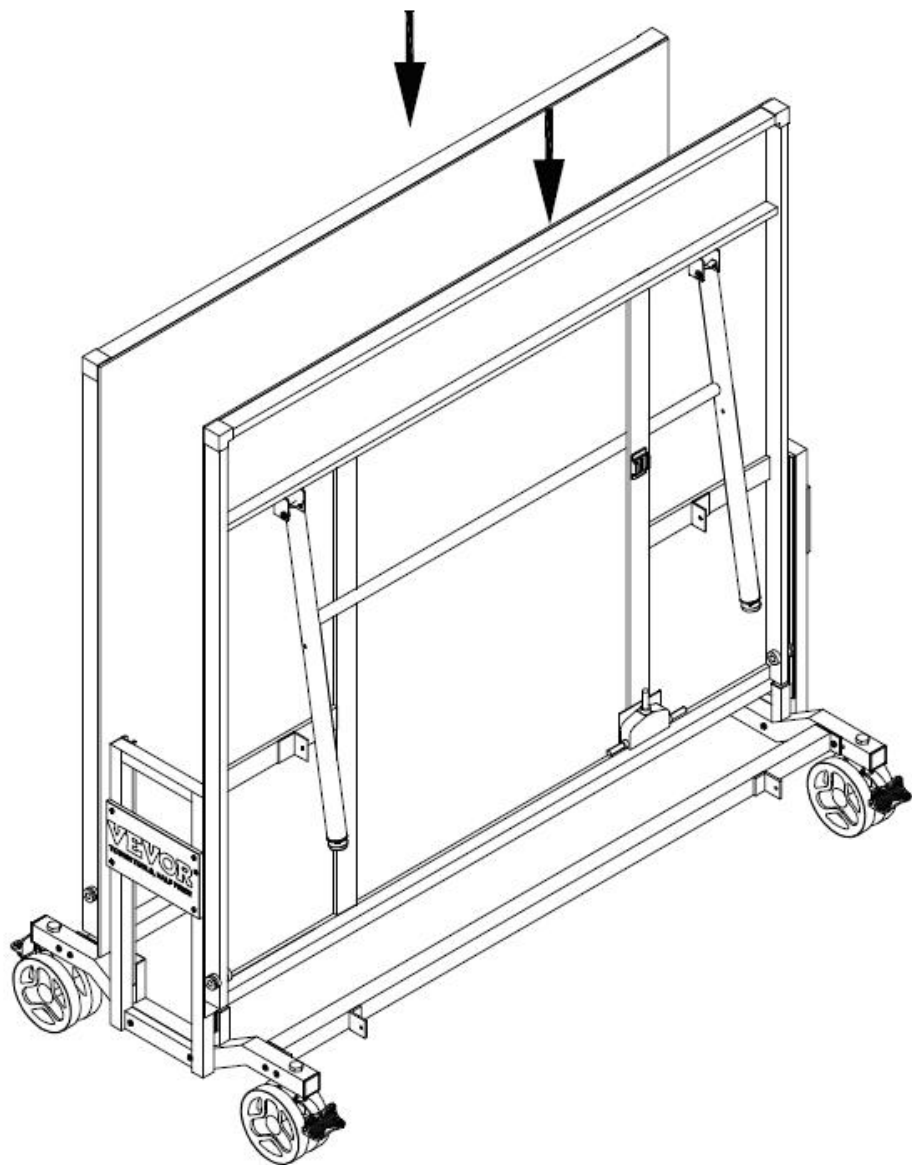


**FIGURE 5**



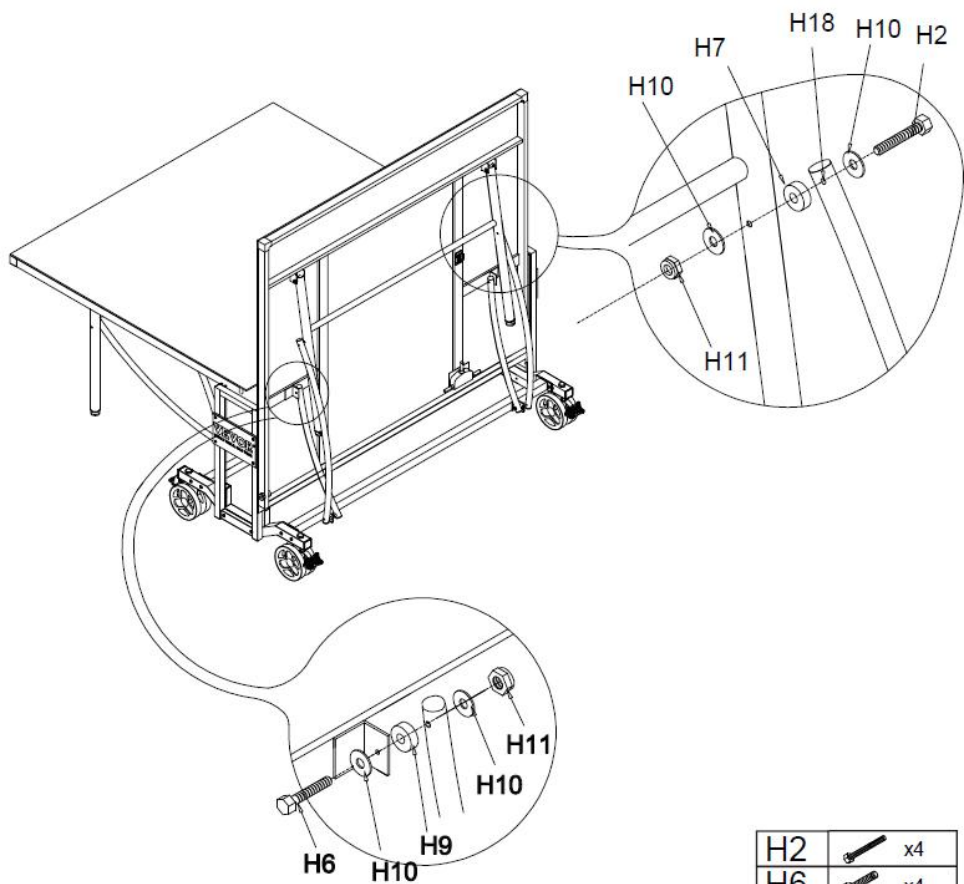
**FIGURE 6**







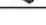
**VARNING: DRAG VUXNA BEHÖVER MONTERA BILJARBORD**



**FIGURE 7**

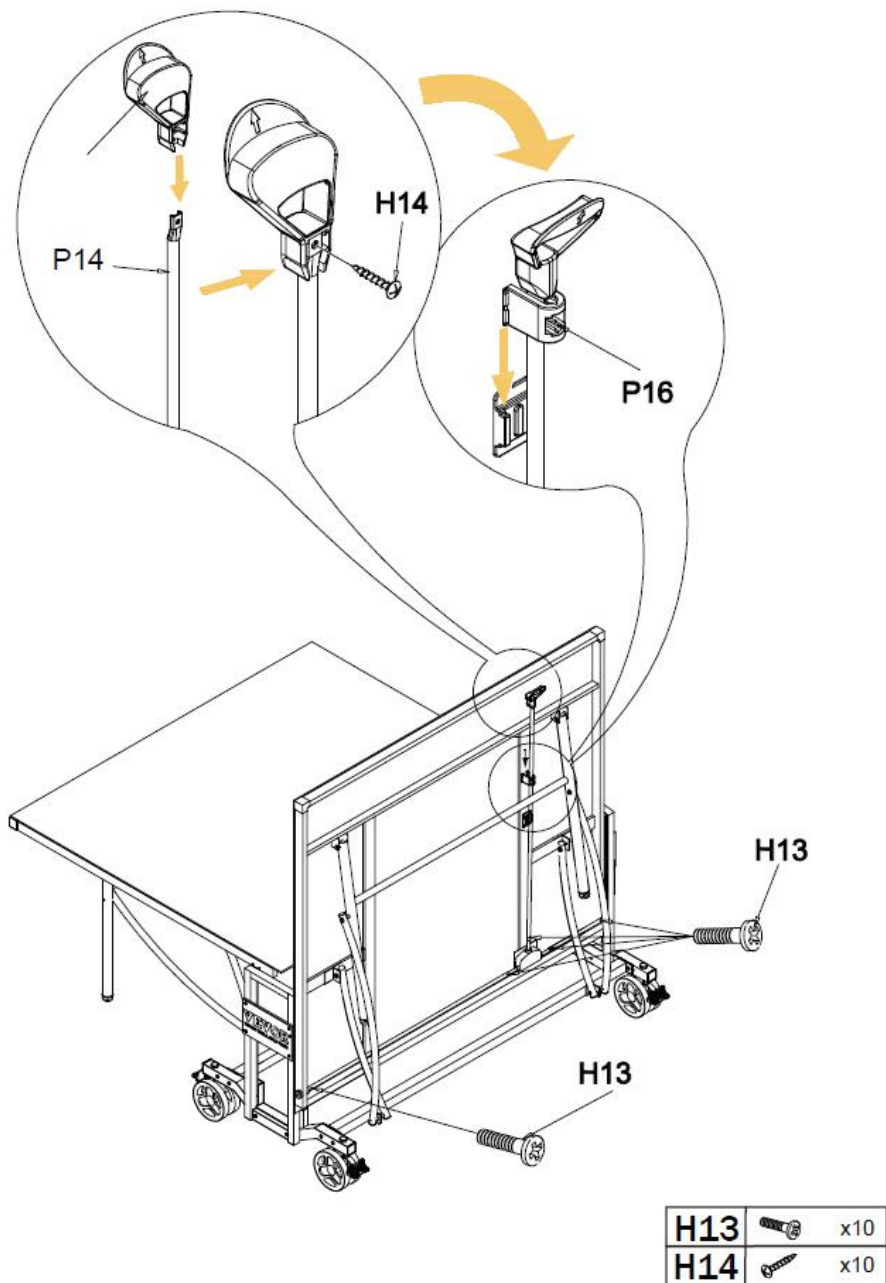
**VARNING: DRAG VUXNA BEHÖVER MONTERA BILJARDBORD**



H2		x4
H6		x4
H7		x4
H9		x4
H10		x48
H11		x24
H18		x4

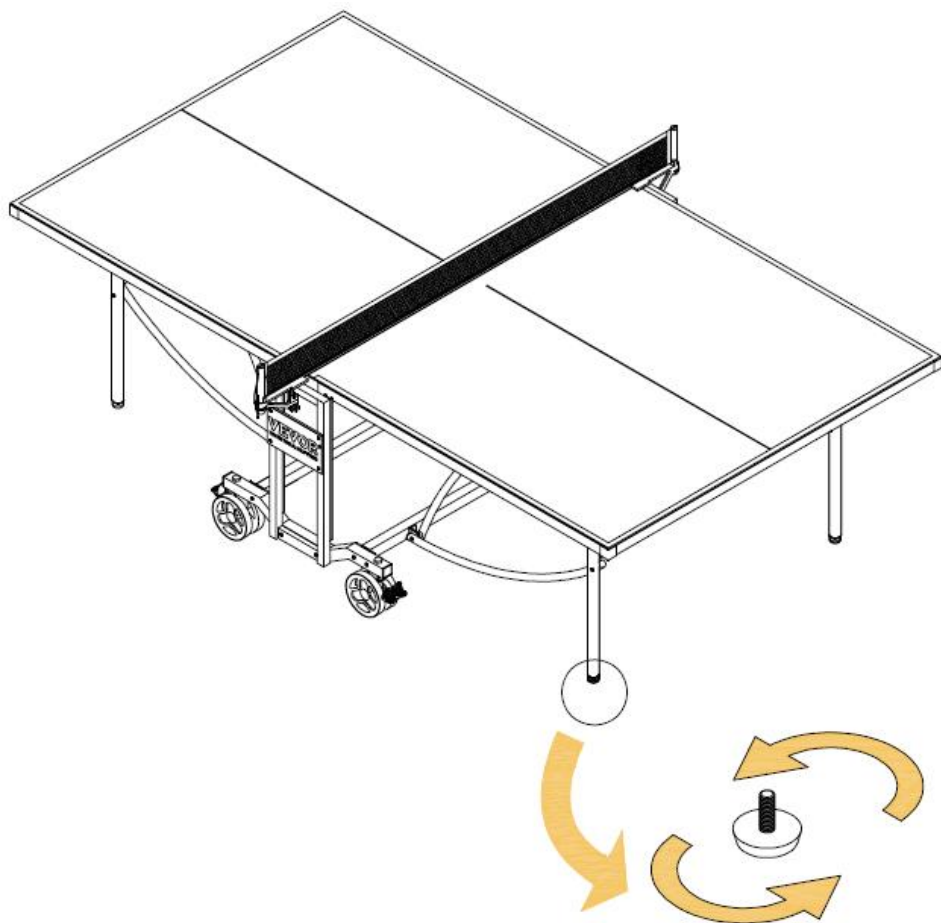
**FIGURE 8**

**VARNING: DRAG VUXNA BEHÖVER MONTERA BILJARBORD**



**FIGURE 9**

**VARNING: DRAG VUXNA BEHÖVER MONTERA BILJARDBORD**

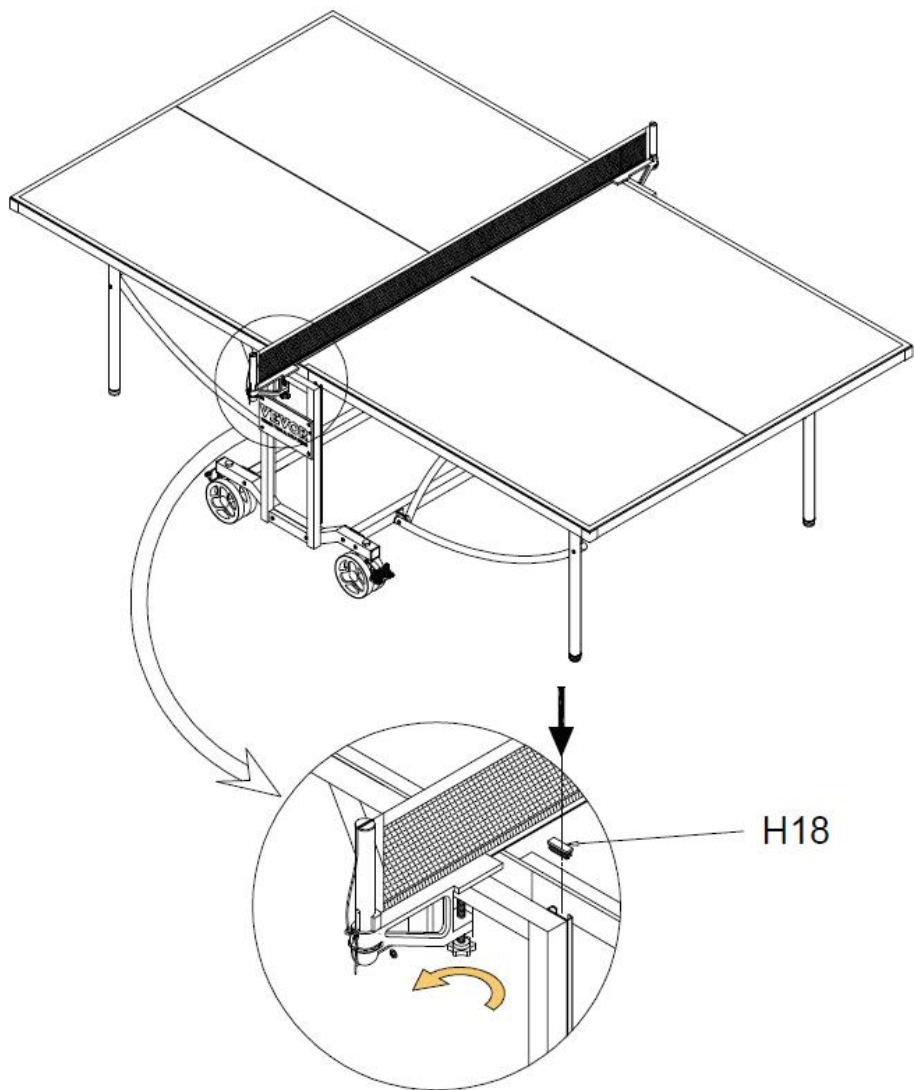


**NOTERA:**

När du upptäcker att underlaget är ojämnt kan du justera höjden med hjälp av benutjämnaren

**FIGURE 10**

**VARNING: DRAG VUXNA BEHÖVER MONTERA BILJARDBORD**



H18		x4
-----	---	----

**Address :** Shuangchenglu 803nong11hao1602A-1609shi, baoshanqu, shanghai 200000 CN.

**Importerad till AUS:** SIHAO PTY LTD, 1 ROKEVA STREETEASTWOOD NSW 2122 Australien

**Importerad till USA:** Sanven Technology Ltd., Suite 250, 9166 Anaheim Place, Rancho Cucamonga, CA 91730

<b>EC</b>	<b>REP</b>
-----------	------------

E-CrossStu GmbH  
Mainzer Landstr.69, 60329 Frankfurt am Main.

<b>UK</b>	<b>REP</b>
-----------	------------

YH CONSULTING LIMITED.  
C/O YH Consulting Limited Office 147, Centurion House,  
London Road. Staines-upon-Thames. Surrey. TW18 4AX



**VEVOR<sup>®</sup>**

**TOUGH TOOLS, HALF PRICE**

**Teknisk Support och e-garanticertifikat**

**[www.vevor.com/support](http://www.vevor.com/support)**

