



De'Longhi Rangehood

Model
TAFR60S (60cm) / TAFR90S (90cm)



USER GUIDE

Please read this user guide carefully and retain for future reference

Contents

Parts and Features	03
De'Longhi Safety Precautions	04
Rangehood Safety Precautions	05
Installation Safety Precautions	08
Installing your Rangehood	09
Using your Rangehood	11
Care and Cleaning	12
Help us Help You	13
Warranty Information	14



Parts and Features

Model: TAFR60S (60cm) / TAFR90S (90cm)

Fig.1

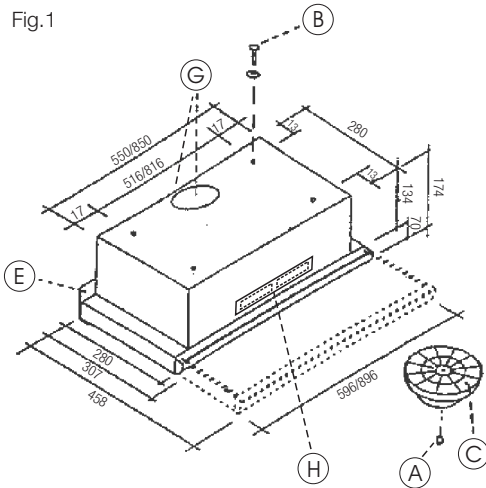
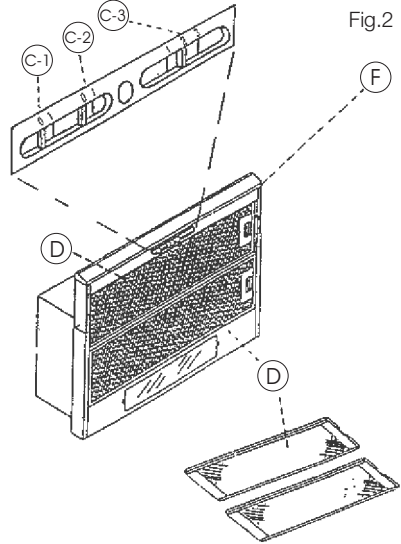


Fig.2



Components:

- A. Filter Knob
- B. M4 × 40mm Screws
- C. Carbon Filter
- D. Mesh Grids
- E. Rear Spacer
- F. Slide-Out Hood Extension
- G. Top & Rear Caps
- H. Cover Tape

Controls

- C-1. Lamp Switch on/off
- C-2. Fan Switch on/off
- C-3. Fan Speed Switch 1/2/3

SPECIFICATIONS:

Dimensions

Height	174mm
Width	596/896mm
Depth	280mm

Voltage

220-240V

Frequency

50 Hz

Input

130.5W

Noise

49 - 64dB

Speed

117 - 150 m³/h

De'Longhi's Safety Precautions

De'Longhi pride themselves on their innovative range of the highest quality consumer products.

De'Longhi ensures all of its products are 100% safe through quality design and manufacture. All products meet or exceed stringent laboratory-tested safety requirements.

It is necessary for anyone using an electrical appliance to be safety conscious. The following precautions are essential for the safe use of an electrical appliance. Carefully read all of the instructions provided with your appliance:

- Always turn the power off at the power outlet before you insert or remove a plug. Remove by grasping the plug, do not pull on the cord.
 - Do not use your appliance with an extension cord unless this cord has been checked and tested by a qualified technician or service person. The extension cord must be a VDE-Listed, 3-wire grounding extension cord that has a grounding plug and outlet and that the electrical rating of the cord is 220-240 volts and at least 10 amperes.
 - Always use your appliance from a power outlet of the voltage (A.C. only) marked on the appliance.
 - Do not use an appliance for any purpose other than its intended use.
 - Do not attempt to repair an electrical appliance. Return a damaged or malfunctioning appliance to a qualified service centre for adjustment or repair if required.
 - The appliance must be positioned so the AC plug is accessible.
- This appliance is designed exclusively for household use and not for commercial or industrial use. All other uses are strictly forbidden.
 - The appliance is not intended for use by persons (including children) with reduced physical, sensory or mental capabilities, or lack of experience and knowledge, unless they have been given supervision or instruction concerning use of the appliance by a person responsible for their safety.
 - Children should be supervised to ensure that they do not play with the appliance.
 - If the supply cord is damaged, it must be replaced by the manufacturer, its service agent or a similarly qualified person in order to avoid a hazard.

Rangehood Safety Precautions

IMPORTANT SAFETY INSTRUCTIONS - READ ALL INSTRUCTIONS BEFORE USING, AND SAVE FOR FUTURE REFERENCE.

Your safety and the safety of others is very important. Safety messages are displayed in this manual and on your appliance.

Read and obey these safety messages as they will alert you to potential hazards and tell you how to reduce the chance of injury.



Safety Alert Symbol

This symbol alerts you to potential hazards.

 **DANGER** 

Danger

Danger indicates a high level of risk to yourself and others. Ensure that care is taken to avoid severe injury or even death.

 **WARNING** 

Warning

Warning indicates a moderate level of risk to yourself, others and the product. Ensure that care is taken to avoid extensive product damage or serious injury.

CAUTION

Caution

Caution indicates a level of risk to yourself, others and the product. Ensure care is taken to avoid moderate product damage or injuries.

Rangehood Safety Precautions



Before the appliance is used, it must be properly positioned and installed as described in this manual, so read the manual

carefully. To reduce the risk of fire, electrical shock or injury when using the appliance, follow basic precaution, including the following:



Caution:
risk of fire

PLEASE READ ALL INSTRUCTIONS CAREFULLY BEFORE COMMENCING INSTALLATION. CHECK THAT THE ELECTRICAL SUPPLY DATA QUOTED ON THE RATING PLATE OF THE APPLIANCE AGREES WITH THAT OF YOUR SUPPLY.

DANGER

- The appliance must be installed by the service agent or a similar qualified technician in order to avoid hazard.
- Make sure the rangehood is fixed directly to a wall or mounted in the lower part of a hanging cupboard.
- Do not install the rangehood close to a window, rain may cause an electrical hazard.
- To protect against electrical shock, do not immerse the appliance or cord in water or spray with liquids.
- Before performing any maintenance operation, disconnect the hood from the mains supply.
- Do not operate in the presence of explosive and/or flammable fumes.
- Do not operate any appliance with a damaged cord, after the appliance malfunctions or has been dropped or damaged in any manner.
- Do not let the cord touch any hot surfaces.
- Do not check the filter while the appliance is operating.
- Do not touch the lamps after a prolonged use of the appliance.
- Do not flambé under the rangehood. The use of an unprotected flame is dangerous for the filters and could cause fires.
- Constantly watch food being fried in order to avoid oil flare ups during cooking.
- Do not switch on the appliance unless completely assembled and adjusted.
- The manufacturers refuse to accept any responsibility for eventual damages, because of failure to observe these instructions.
- Plug into a grounded 3-prong outlet, do not remove grounding prong, do not use an adapter, and do not use an extension cord.
- It is recommended that a separate circuit, serving only your appliance be provided. Use receptacles that cannot be turned off by a switch or pull chain.
- Never clean appliance parts with flammable fluids. These fumes can create a fire hazard or explosion. And do not store or use gasoline or other flammable vapours and liquids in the vicinity of this or any other appliance. The fumes can create a fire hazard or explosion.
- Do not connect or disconnect the electric plug when your hands are wet. There is a potential hazard of electric shock.
- Turn off and unplug the appliance before cleaning or servicing. Failure to do so can result in electrical shock or death.
- DO NOT insert any objects such as wooden sticks or metal sticks into the appliance. It may lead to leakage, short circuit, or product damage.

Rangehood Safety Precautions

- If something is wrong with the product, please call a De'Longhi representative. Do not attempt to repair or replace any part of your appliance unless it is specifically recommended in this material. All other servicing should be referred to a qualified technician.
 - Unauthorised disassembly will affect the safety of the product.
 - DO NOT spray pesticide or any other flammable sprays near the product.
 - When cleaning or filling the appliance, please turn it off and unplug the power cord. Do not proceed until it has completely stopped functioning.
 - If you notice an abnormal smell or sound during use, please turn off the appliance immediately and unplug the power.
 - DO NOT shower the appliance in water, it may lead to electrical shock, leakage, short circuit or product damage.
 - The fuse (or circuit breaker) size should be 10 amperes.
- Operate the appliance on a level surface.
 - Keep ventilation openings clear of obstruction.
 - This appliance is intended to be used in household and similar applications eg:
 - staff kitchen areas in shops, offices and other working environments;
 - farm houses and by clients in hotels, motels and other residential type environments;
 - bed and breakfast type environments;
 - Catering and similar non-retail applications.
 - CAUTION: Accessible parts may become hot when used with cooking appliances.
 - There shall be adequate ventilation of the room when the rangehood is used at the same time as appliances burning gas or other fuels.
 - Regulations concerning the discharge of air have to be fulfilled.

Installation Safety Precautions

⚠ WARNING ⚠

- To ensure proper ventilation for your appliance, the front of the unit must be completely unobstructed. This unit must be installed in an area protected from the element, such as wind, rain, water spray or drips.
- The appliance must be installed with all electrical, water and drain connections in accordance with state and local codes. A standard electrical supply (220-240V AC only, 50 Hz), properly grounded in accordance with the local codes and regulations.
- Do not locate the appliance next to ovens, grills or other sources of high heat.
- This appliance complies with the directions EMC 89/336/EEC revised 92/31/EEC and 93/68/EEC.
- If the room contains a flue fuel burning appliance which is not of the 'Balance Flue' type - make sure there is an adequate air inlet to the room at all time so that fumes are not drawn down the flue.

Electrical Connection

- This appliance should be properly grounded for your safety. The power cord of this appliance is equipped with a three-prong plug which mates with standard three prong wall outlets to minimise the possibility of electrical shock.
- Do not under any circumstances cut or remove the third ground prong from the power cord supplied. For personal safety, this appliance must be properly grounded.
- This appliance requires a standard 220-240 Volt AC ~/50Hz electrical ground outlet with three-prong. Have the wall outlet and circuit checked by a qualified electrician to make sure the outlet is properly grounded. When a standard 2-prong wall outlet is encountered, it is your responsibility and obligation to have it replaced with a properly grounded 3-prong wall outlet.

- The cord should be secured behind the appliance and not left exposed or dangling to prevent accidental injury.
- The appliance should always be plugged into its own individual electrical outlet which has a voltage rating that matches the rating label on the appliance. This provides the best performance and also prevent overloading house wiring circuits that could cause a fire hazard from overheated.
- Never unplug the appliance by pulling the power cord. Always grip the plug firmly and pull straight out from the receptacle.
- Repair or replace immediately all power cords that have become frayed or otherwise damaged. Do not use a cord that shows cracks or abrasion damage along its length or at either end.
- When moving the appliance, be careful not to damage the power cord.
- If the supply cord is damaged, it must be replaced by the manufacturer, its Service agent or a similarly qualified person in order to avoid a hazard.
- Make sure that the plug is fully inserted into the wall socket before use.
- DO NOT fold or put kinks in the supply cable or place heavy objects on it. It could lead to cable damage.

Extension Cord

- Because of potential safety hazards under certain conditions, it is strongly recommended that you do not use an extension cord with this appliance. However, if you must use an extension cord it must be checked and tested by a qualified technician or service person.

The extension cord must be a VDE-Listed, 3-wire grounding extension cord that has a grounding plug and outlet and that the electrical rating of the cord is 220-240 Volts and at least 10 amperes.

Installing your Rangehood

Connection to the Electrical Supply

- This appliance is supplied with a flexible cord and 3 pin plug for connection to a properly earthed 10A power point.
- Check that the rating of the appliance matches the rating of the power point.
- The power point must be accessible after installation to allow disconnection of the appliance.
- If the supply cord is damaged, it must be replaced by the manufacturer, its service agent or similarly qualified persons in order to avoid a hazard.
- Attention: Should the lamps not work, make sure they are tightened and re-check.

Installation Instructions

- The rangehood is supplied with
 - 1 x Spacer
 - 4 x Screws (M4 x 40mm)
 - 2 x Bulbs
- The minimum distance between the supporting surface for the cooking vessels on the hob and the lowest part of the rangehood when the rangehood is located above a gas appliance, this distance shall be at least 65cm. If the instructions for installation for the gas hob specify a greater distance, this has to be taken into account.
- Where installed above a gas cooktop, the rangehood must be installed in accordance with AS/NZS 5601 - Gas Installations and any other statutory regulations.
- This rangehood is designed for fitting in a cabinet or on similar support. For fixing, utilise the four M4 x 40mm screws supplied with the hood (B).
- Close the space that remains between the hood and the wall, adjusting the spacer (E).
- Before completing any connections, make sure the voltage of the home corresponds with the voltage indicated on the data label.
- **WARNING:** Failure to install the screws or fixing device in accordance with these instructions may result in electrical hazards.

Installing your Rangehood

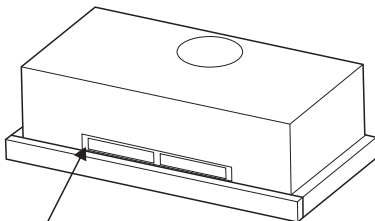
Installation Method

The rangehood is designed to be installed in Re-Circulating Method only. The Carbon Filter supplied with the rangehood must always be fitted. The cooking fumes are filtered and then pushed back out again.

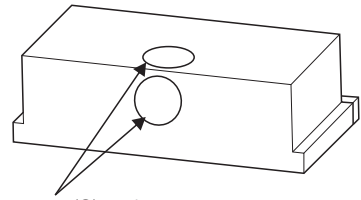
- Remove the Cover tape (H) from front vents to allow front Re-Circulation.
- Seal the rear and top vents with caps (G).
- The Carbon filter is not washable; they cannot be regenerated and has to be replaced at most every 2 months.
- The saturation of the activated charcoal depends on the frequency of use of the hood, on the type of cooking and on the regularity of cleaning the grease filter.
- The carbon filter has to be fitted inside the hood. Push it into place until the stop click is heard to lock it. Fix with the knob (A).
- Replace the grids (D) see Fig 2 to carry out this operation.

To replace the Carbon Filter:

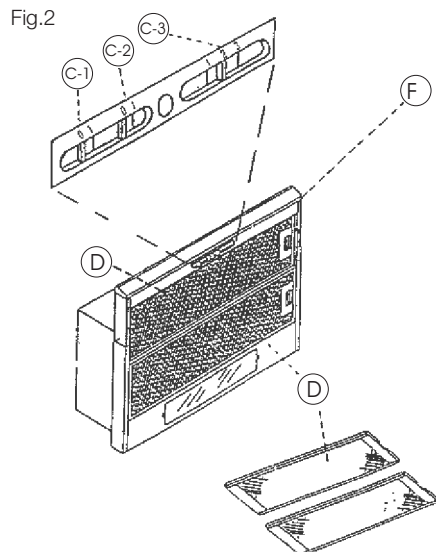
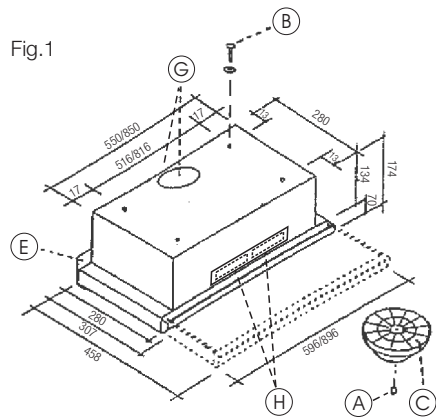
- Open the grids (D)
- Remove the old Carbon Filter (C).
- Insert the new filter (C) with the knob (A).
- Reinstall the grids (D).



Remove the Cover Tape (H) to expose the Front Vents



Fit the caps (G) to the rear and top vents



Using your Rangehood

Operating the Rangehood

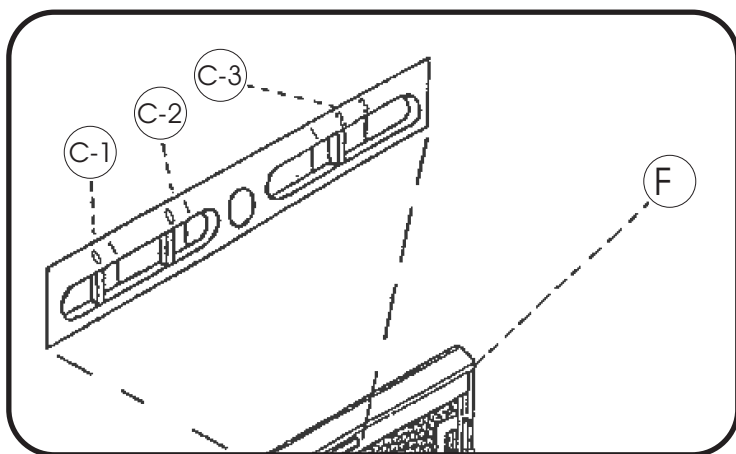
SWITCH ON THE LAMPS

- Pull out the grid (G) more than 50mm
- Slide the switch (C-1) from position '0' to '1'

ADJUSTING THE FAN SPEED

- Pull out the grid (F) more than 50mm
- Slide the switch (C-2) from position '0' to '1' at low speed.
- Adjust the fan to mid speed by sliding the switch (C-3) from position '1' to '2'.
- Adjust the fan speed to high by sliding the switch (C-3) from position '2' to '3'.
- Switch off the appliance by sliding the switch (C-2) from position '1' to '0'
- LED (C-4) will be lit up when the fan motor operates.

Note: You can change speed during operation.



Care and Cleaning

Maintenance

The effective functioning of the hood depends on the regularity with which cleaning and maintenance is carried out. Particularly in the case of the Grids (D) and Carbon filter (C).

The grids (D) serve the function of catching the fat and solid particles suspended in the air. It is thus subject to clogging at various intervals, depending on use and the type of cooking. In any case, it is necessary to clean the grid at least every two months as follows:

- Remove the grid and wash it with a solution of lukewarm water and neutral liquid detergent, allowing the dirt to soften.
- Rinse thoroughly with lukewarm water.
- Failure to follow the washing instructions can create a fire risk.

Carbon Filters

- The activated charcoal in the Carbon filter has the function of trapping odours and purifying the air. The saturation of the activated charcoal occurs after more or less prolonged use: depending on the type of cooking and the regularity of cleaning of the grease filter.
- In any case it is necessary to replace the filter at least every four months. Clean frequently all the deposits on the fan and the other surfaces, utilising a cloth moistened by neutral and non abrasive liquid detergent.

Changing the Bulbs

- Disconnect the hood from the electricity.
- Remove the lamp cover.
- Always replace burnt-out lamps, according to what is provided for your appliance, with olive shaped Max. 40W bulbs.
- Re-close the lamp cover.

Help us Help You

Read this guide carefully, it is intended to help you operate and maintain your new Rangehood properly.

Keep it handy to answer your questions. If you don't understand something or you need more assistance, please call the De'Longhi Helpline.

To help us provide prompt answers to your queries, please record your Rangehood model and serial numbers.

Rangehood details

Date of Purchase

Model Number

Serial Number

STAPLE OR
AFFIX PURCHASE
RECIPT HERE

Warranty Information

The De'Longhi Rangehood is warranted against faults resulting from manufacturing or material defects. The warranty period for normal domestic installation and use is one year from the date of purchase. In non-domestic use De'Longhi limits the voluntary warranty to 6 months.

De'Longhi undertakes to repair or replace the Rangehood at our discretion if the product is found to be defective due to a manufacturing fault during the warranty period.

This warranty excludes any damage caused by misuse, neglect, shipping accident, or incorrect installation. Normal wear and tear is also expressly excluded. The warranty claim is void if no fault is found with the product or if work is carried out by anyone other than an authorised De'Longhi Service Agent.

In Australia, this warranty is additional to the conditions and guarantees which are mandatory as implied under the Trade Practices Act 1974 and State and Territory legislation.

How to contact us about a warranty claim

Talk to a De'Longhi representative for further warranty or product information please call the number in your country:

Australia

www.delonghi.com.au

Phone: 1800 126 659

New Zealand

www.delonghi.co.nz

Phone: 0508 200 300

NOTE: Warranty is determined by unit serial number and date of purchase.



Consumer Helpline

Australia

Phone: 1800 126 659

Fax: 1800 007 289

New Zealand

Phone: 0508 200 300

Fax: 0508 200 301

www.delonghi.com.au

www.delonghi.co.nz


Distributed by De'Longhi Australia Pty Ltd.

ABN 49 104 012 857

P.O. Box 4540 Casula Mall, NSW 2170

Distributed by De'Longhi New Zealand Ltd.

P.O. Box 58-056 Botany, MANUKAU 2163

 is a registered Trademark
of De'Longhi Australia Pty Ltd.
ABN 49 104 012 857.

© 2017 De'Longhi Australia Pty Ltd.