

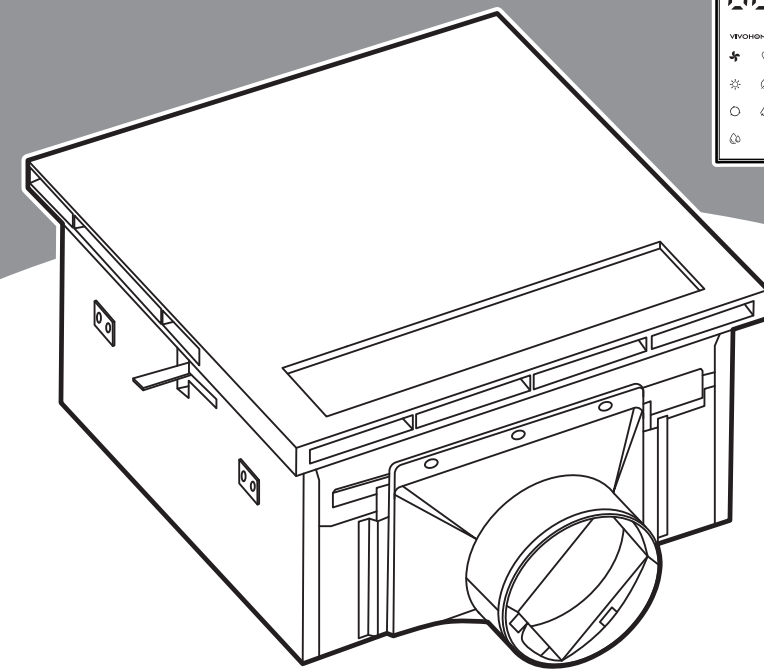
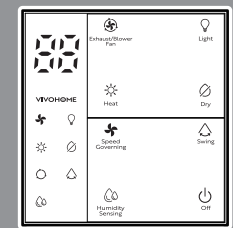
VIVOHOME

THANK  
YOU!

VIVOHOME

# HOW-TO

## USER MANUAL



### NOTE:

To continuously improve its products, VIVOHOME reserves the right to modify this information without prior notification.

For any questions regarding assembly, please watch the video on the product page or contact our customer service. Our customer service will gladly assist you with any additional questions, comments, or concerns.

Thank you for using VIVOHOME products in your home!

Thank You for Purchasing from

VIVOHOME

Made in China

## Bathroom Exhaust Fan With Heater

**Assembly is EASY!**

**WE WANT  
YOU TO  
ENJOY LIFE  
AT HOME**

GO TO THE PRODUCT LISTING PAGE  
FOR AN INSTRUCTIONAL VIDEO!

## CONTENTS

Specifications.....	1
Wiring Diagram.....	3
Safety & Installation Instructions.....	4
Remote Control Pairing.....	10
Warranty.....	15

This unit must be connected to the main power supply by a licensed electrician.

## SECTION A Specifications



Item	Specification	Parameter
Heating	Heater Power	1580–1730 W
Fan Blower	Fan Power	18 W
Exhaust Fan	Exhaust Fan Power	25 W
	Airflow	80 / 110 / 160 CFM
Lighting	LED Light	13.5 W
General	Product Dimensions	11.8 × 11.8 × 6.5 in (300 × 300 × 165 mm)
	Ceiling Opening Size	10.8 × 10.8 in (275 × 275 mm)
	Installation Depth	7.1 in (180 mm)
	Voltage	110-120V~
	Frequency	50-60Hz
	Sound Level	0.1–1.5 sones

## Airflow Parameters

Mode	Speed Level / Condition	Airflow (CFM)
Blower Fan	F1	80
	F2	90
	F3	110
	F4	140
	F5	160
Exhaust Fan	F1	80
	F2	110
	F3	160
Humidity Sensor Mode	≤ 50%	80
	50% – 80%	110
	> 80%	160

## Temperature Parameters

Mode	Bathroom Temperature Condition	Smart Adjustment Result
Heat	>T+3°C → Level 3 (110 CFM), PTC II (Low Heat) ON	Low airflow, low heating, gentle warming
	T~T+3°C → Level 4 (140 CFM), PTC I (High Heat) ON	Medium airflow, high heating, steady temperature rise
	T-3°C~T → Level 4 (140 CFM), PTC I + PTC II (High + Low Heat) ON	Medium airflow, combined low & high heating, rapid warming
	<T-3°C → Level 5 (160 CFM), PTC I + PTC II (High + Low Heat) ON	High airflow, maximum heating rapid temperature rise

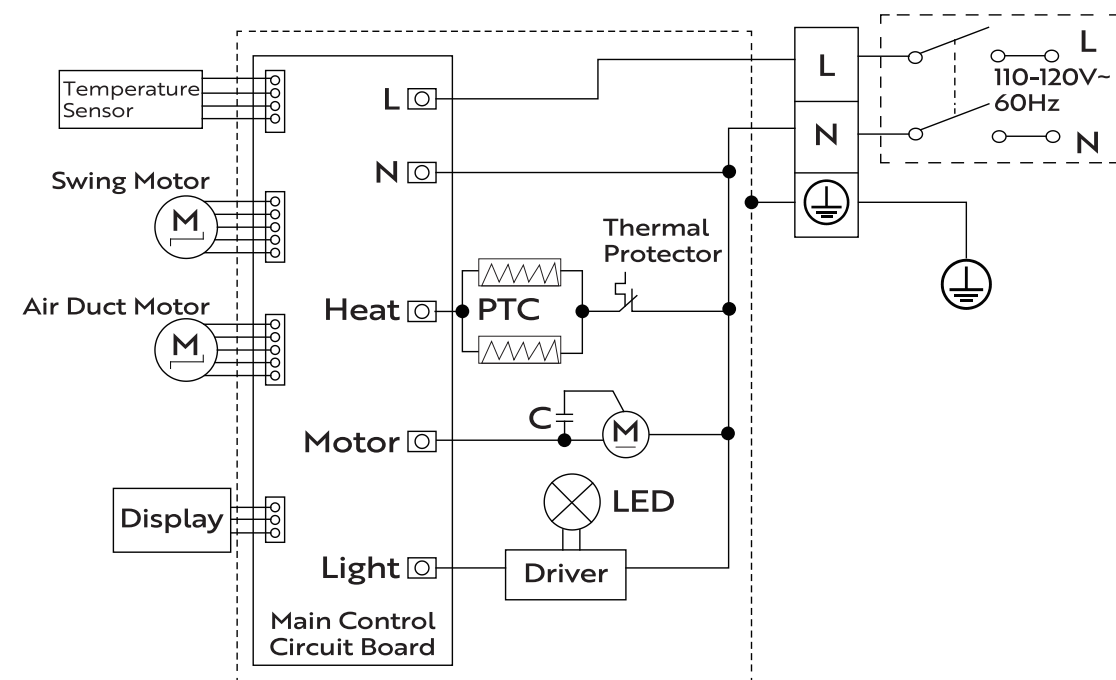
(T = set temperature)

## Lighting Parameters

Mode	Warm Light	Neutral Light	Cool White
Brightness	1500 lm	1500 lm	1500 lm
Color Temp.	2700K	4000K	5700K

## SECTION B

### Wiring Diagram

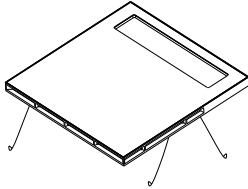
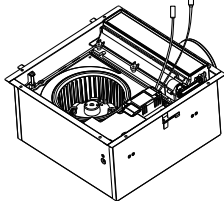
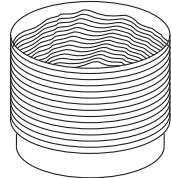
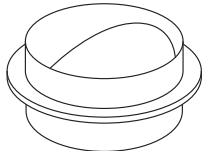
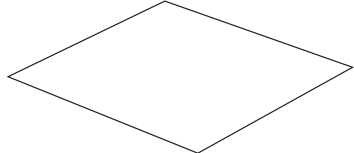
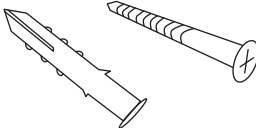
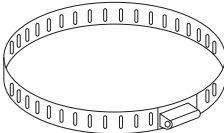

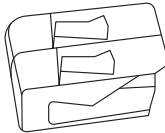


## SECTION C

### Safety & Installation Instructions

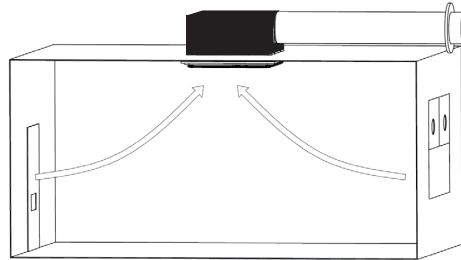


1. Read this manual carefully before installation.
2. Installation and wiring must be performed by a licensed electrician.
3. Turn off the power supply before installation to avoid electric shock.
4. Ensure ceiling joists are strong enough to support at least 35 kg (77 lb).

<b>1</b> Decorative Panel 	<b>2</b> Housing 	
<b>3</b> Aluminum Foil Duct 	<b>4</b> Backdraft Damper 	
<b>5</b> Cutout Template 	<b>6</b> Expansion Screws × 2 sets 	
<b>7</b> Hose Clamps × 2 	<b>8</b> Remote Control 	<b>9</b> Removable DuctPort × 3 

## SELECT MOUNTING LOCATION

1. Choose an appropriate mounting location and orientation, following the guidelines on the previous page.
2. Ensure all required clearances are met and that no structures obstruct the outlet.
3. Verify that the area behind the mounting surface is free from obstacles such as electrical wiring, utility pipes, or joists.

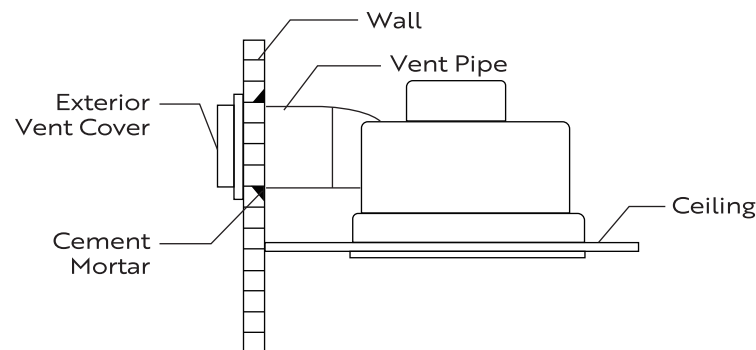


## OPEN THE AIR OUTLET HOLE

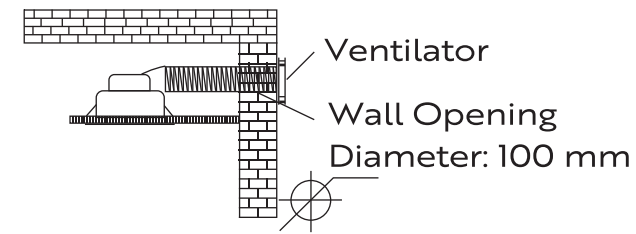
- Mark the location for the wall ventilation hole.
- Position the hole slightly lower than the appliance's air outlet while staying above the ceiling. This helps prevent condensation from flowing back through the ventilation pipe.
- Cut a round hole at the marked location.

## INSTALL THE VENTILATION WINDOW

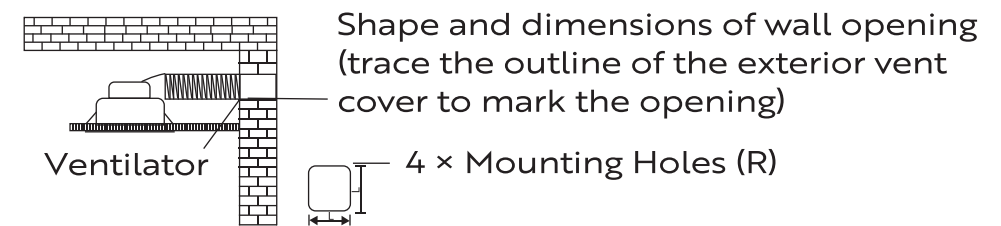
- Slide one end of the ventilation pipe onto the ventilation window.
- Feed the other end of the pipe through the wall opening from the outside toward the room.
- Secure the ventilation window to the exterior wall outlet.
- Fill any gaps between the pipe and the wall opening with caulk.



1. For installations on an exterior wall, install the unit as shown in the following diagrams.



2. For installations not on an exterior wall, follow the diagrams below.



Ensure proper precautions in the ventilation ducts to prevent backflow of gas into the room from open-air ducts or other devices with an open flame.

## THE LOCATION OF ELECTRICAL INSTALLATION

For optimal heating performance, install the heater in the bathtub or shower area, centered on the ceiling.

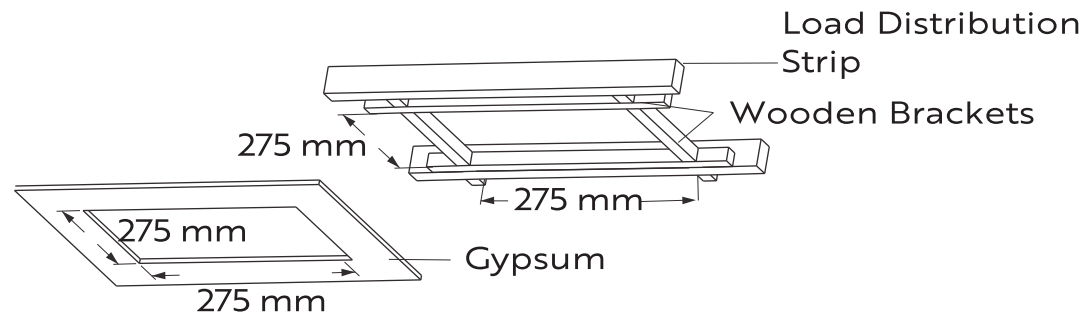
After installation, the heater and ventilator should be at least 2.3 meters (7.5 ft) above the floor. Heights that are too high or too low may reduce performance.

The ventilator should be close to the vent. Maintain a minimum distance of 250 mm (10 in) between the heater and the wall. The interlayer space between the ceiling and the top of the house should be at least 180 mm (7 in).

## MAIN UNIT INSTALLATION INSTRUCTIONS

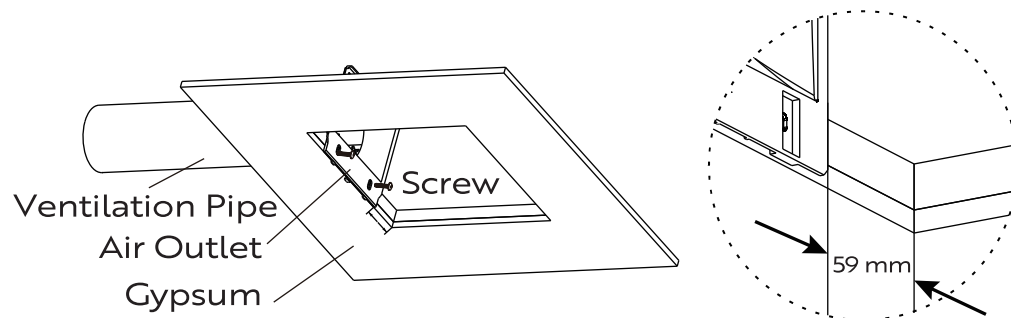
(1) Fix the hole template on the ceiling. Cut a 275 mm x 275 mm (10.8 in x 10.8 in) hole according to the template. Ensure no flammable materials are within 30 cm (12 in) of the hole.

The frame should have a load-bearing capacity of over 20 kg. The total thickness of wood and gypsum board should be 25–30 mm (1–1.2 in).

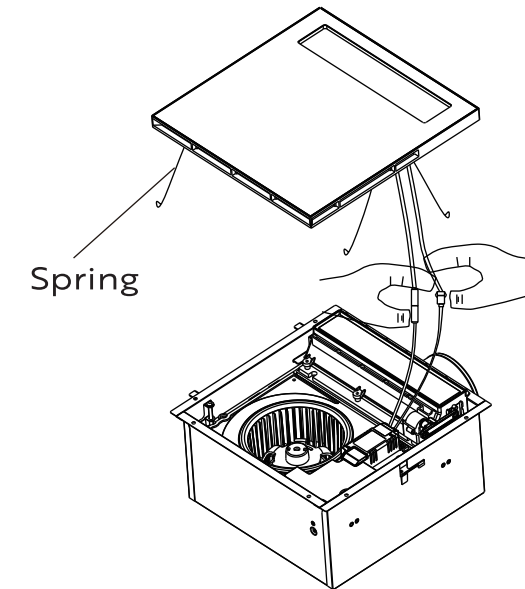


(2) After connecting the Ventilation Pipe and the air outlet with a clamp, fix the air outlet to the wooden frame with two screws as shown in the following figure. Ensure screws are anchored in the wooden frame.

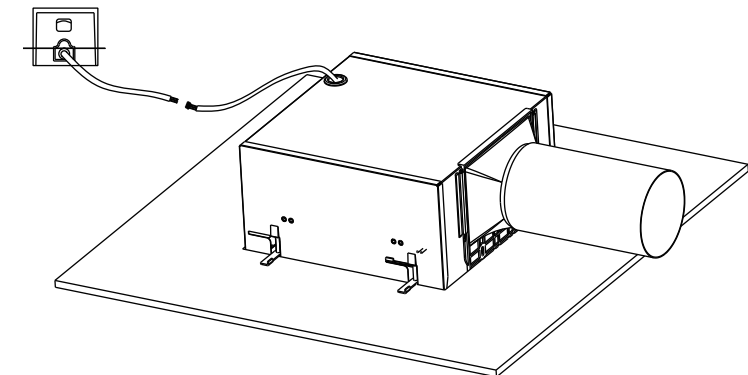
(Note: The distance between the edge of the air outlet and the edge of the ceiling installation hole is 59 mm.)



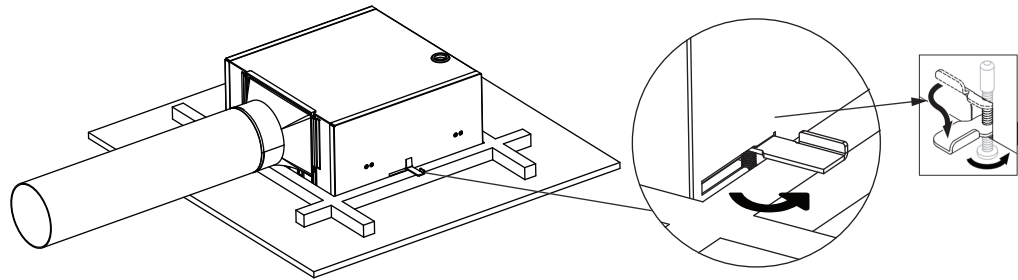
(3) Remove fascia from the main unit with care by pressing the two spring levers attached to the rear of the fascia and disconnect the wires.



(4) With the power supply switched off, hold the main unit. Connect the ceiling power cord to the main unit's plug terminal. The product must be properly grounded during installation. Align the main unit's ventilation outlet with the fixed air outlet and insert it into the installation slot on the side of the main unit.

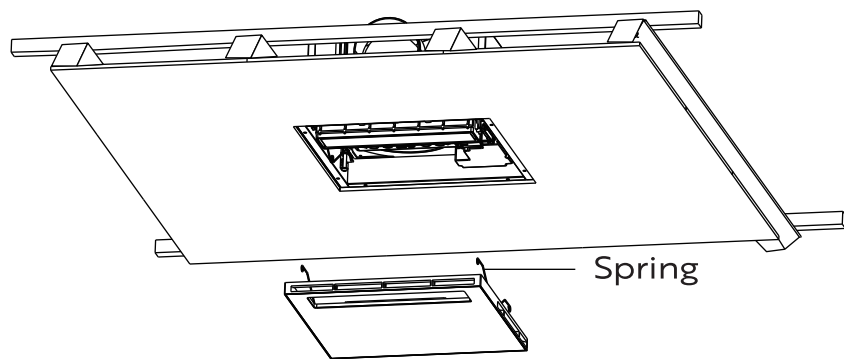


(5) Rotate the installation bracket clockwise using a Phillips screwdriver. The installation bracket will rotate outward from the main unit shell and move downward. Twist it carefully and tighten all three brackets onto the wooden frame, ensuring the flange edge of the main unit is flush with the ceiling.



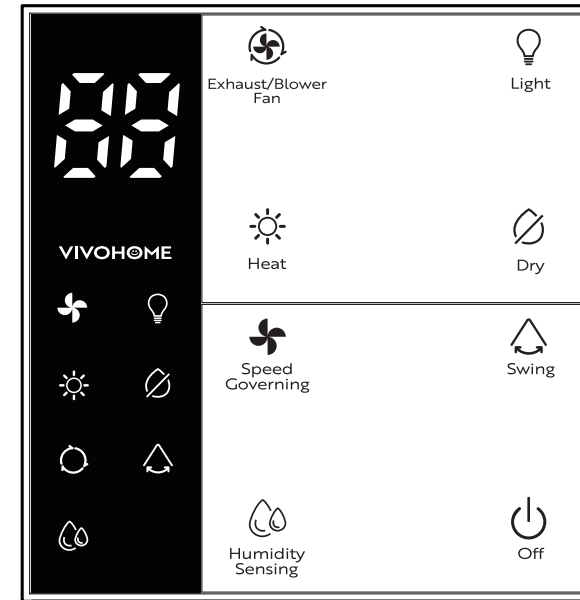
(6) Connect the LED light power connector to the driver output connector. Reinstall the fascia on the main unit by squeezing the two safety spring wires/clips together and slotting them into the spring wire slot on the main unit.

(7) Align the fascia with the main unit before pushing it in. Ensure the LED panel connector and cable are not pressed by other components. Place the fascia securely on the main unit. Before first use, turn on the heater and fan for at least 5 minutes to eliminate any lingering odor.



## SECTION D

# Remote Control Pairing



1. **Power On** the main unit.
2. Within **35 seconds**, **press and hold** the **OFF** button for **5 seconds or longer**.
3. Release when you hear a **"beep"** – pairing is complete.

**Note:** The unit is pre-paired before shipping. Pairing is needed when replacing the remote.

### 1. Light

(The light has a memory function and will return to its previous setting when you turn it on again.)

- Press **Light** to turn **ON**.
- Press again to turn **OFF**.

## 2. Exhaust / Blower Fan

- Press once--**Exhaust mode** (air out).
- Press twice--**Blower mode** (louvers open).
- Press three times--**OFF** (louvers close).

## 3. Dry Mode

- Louvers open--Heating runs **25 min**.
- Fan switches to exhaust (**20-sec delay**)--Runs **5 min**--Stops.
- Cycle repeats **4 times**, then turns OFF automatically.

## 4. Heat

- Press once--Louvers open, heating ON.
- Press again--Heating OFF; fan stops after **20-sec delay**.  
(The remote control screen shows a 20-second countdown.)

## 5. Speed Governing

- When **Dry**, **Blower**, or **Exhaust** is active, press **Speed Governing** to adjust fan speed.
- **Dry / Blower**: 5 speed levels (**F1–F5**) shown on the display, default **F4**.  
(Press the button again to change settings)
- **Exhaust**: 3 speed levels (**F1–F3**) shown on the display, default **F2**.  
(Press the button again to change settings)

## 6. Swing

- Works with **Heat**, **Dry**, or **Blower**.
- Press once--Louvers change from fixed position to oscillating..
- Press again--Louvers stop at current position.

## 7. Humidity Sensing

- Press once--Turns **on** humidity sensing; green light **on** the sensor illuminates.
- The unit will automatically start exhaust mode and adjust fan speed based on humidity:  
≤ 50% RH--80 CFM (**F1**)  
50% < RH ≤ 80%--110 CFM (**F2**)  
> 80% RH--160 CFM (**F3**)

## 8. OFF

- Press once--Stop all active functions.
- Some fans shut down after **20-sec delay**.

## Auto Shut-off & Delay Rules

- All functions except **Light** shut off automatically after **2 hours** of continuous operation.
- When switching **Heat**--Blower: If Blower is turned off within 20 seconds, it will keep running until the heating delay time has fully elapsed.
- When switching Blower ←**Exhaust**: The duct motor starts after a 3-second delay.

## CAUTION:

1. The temperature of the heater is high. It must not be placed close to curtains or other flammable materials, and it is strictly prohibited to cover it during use.
2. Please do not directly touch the air outlet of the air heater during operation
3. The heater must not be directly placed under the fixed socket, and can only be installed horizontally.
4. When using this product in the bathroom, the switch should be installed in a location where people in the bathtub or shower area cannot touch it and are effectively protected from water splashing.
5. This product must not be installed in locations with water seepage.
6. If the internal wiring of the appliance is damaged, repair must be performed by the manufacturer, its maintenance department, or similarly qualified personnel to avoid danger.
7. In case of any abnormal condition during operation, turn off the power immediately and notify the local agent or authorized service center.
8. Do not install the product in locations with corrosive fumes or high temperatures.
9. Ensure that the fan is switched off from the mains supply before removing the guard.
10. The fan is to be installed so that the blades are more than 2.3 m above the floor.
11. Precautions must be taken to avoid the backflow of gases into the room from the open flue of gas or other fuel-burning appliances.
12. The heater must be installed at least 2.3 m above the floor.
13. The heater is to be installed so that switches and other controls cannot be touched by a person in the bath or shower.
14. Under no circumstances should the appliance be covered with insulating material or similar material.
15. National regulations concerning the discharge of air must be followed
16. Joists, beams and rafters must not be cut or notched to install the appliance.

17. Exhaust fans may adversely affect the safe operation of gas or other fuel-burning appliances (including those in other rooms) due to backflow of combustion gases. These gases can potentially result in carbon monoxide poisoning. After installation of an exhaust fan (such as a partition fan or duct fan), the operation of open-flued gas appliances should be tested by a competent person to ensure that backflow of combustion gases does not occur.
18. The appliance must be installed by a licensed electrician
19. The distance between the sides of the heater and the sides and any adjacent ceiling-recessed heater must not be less than four times the minimum distance specified for the distance between the sides of the heater and any adjacent building element.
20. This appliance is not intended for use by persons (including children) with reduced physical, sensory or mental capabilities, or lack of experience and knowledge, unless they have been given supervision or instruction by a responsible person regarding the use of the appliance
21. Children should be supervised to ensure that they do not play with the appliance.

**Note: You must first turn off the heating function for the exhaust-fan function to operate.**

## CLEANING & MAINTENANCE

1. After the power is turned off and the appliance has cooled, wipe the outer surface with a clean cloth dampened with petroleum-free detergent or liquid glass cleaner.
2. Do not use alcohol-based cleaners, thinners, or liquids that are corrosive to plastic for cleaning.
3. Dry the product completely before reuse.
4. Cleaning is recommended once a month.



The VIVOHOME warranty program is our commitment to you. We are committed to providing you with a high-quality product that meets your needs and expectations. To demonstrate our confidence in the durability and performance of our products, we offer the following warranty.

### WARRANTY COVERAGE

This warranty applies to all orders, purchases, or use of products sold only by VIVOHOME and is valid for 1 year from the purchase date. Please note, this warranty only covers the original order. If a replacement is provided within the warranty period, it does not extend the warranty.

### WARRANTY EXCLUSIONS

This warranty does not cover damages caused by misuse, accidents, unauthorized modifications, or any factors unrelated to product manufacturing and design, including but not limited to:

- Loss of parts during use.
- Normal wear and tear of products or parts.
- Incorrect installation (e.g., using the wrong voltage) or improper assembly.
- Overloading the product's bearing capacity.
- Usage in extremely harsh conditions.
- Improper cleaning or lack of maintenance.
- Damage resulting from unintended use of the product.
- Damage resulting from unauthorized modifications or service.
- Indirect losses or damages related to the product.



### HOW TO MAKE A WARRANTY CLAIM

If you encounter any defects affecting the product's functionality or if the product fails and cannot be repaired during the warranty period, please reach out to our customer service team via email, or our app's messaging service at your earliest convenience. To expedite your claim, kindly include:

- Order number
- Photos and/or videos illustrating the issue
- A detailed description of the problem

VIVOHOME will provide technical support, replacement, refund, or other solutions based on the issue's specifics. If you wish to return the original package for any reason, please contact us for confirmation before initiating the return. You can expect a response within 48 hours.

Thank you for choosing VIVOHOME. We are dedicated to ensuring your satisfaction and the quality of your purchase. If you have any questions or need further assistance, please don't hesitate to reach out to our customer service team.