

GoWISEUSA®

Instruction Manual

ELECTRIC AIRWISE FRYER

GW22831/GW22836



WWW.GOWISEUSA.COM

Table of Contents

| | |
|--|----|
| Product Introduction | 3 |
| Important Safeguards | 4 |
| Electromagnetic Fields | 6 |
| Product Structure and Features | 7 |
| Before First Use | 9 |
| How to Use Your Air Fryer | 10 |
| Cooking Guide | 15 |
| Cleaning Your Air Fryer | 17 |
| Troubleshooting | 18 |
| Warranty | 19 |

Product Introduction

GoWISE USA would like to introduce the GW22831 (Black) and GW22836 (Red) Air Fryers with Rapid Air Technology. Rapid Air Technology is a new technique for preparing food that traditionally needs to be fried in oil. Rapid Air Technology works by quickly circulating hot air around the Air Fryer pan. The best part — it heats food in all directions and most dishes cook with little to no oil.

This 5.8-quart air fryer features 8 built-in pre-sets including Fries, Pork, Shrimp, Cake, Chicken, Steak, Fish, and Pizza. It offers a wide temperature range from 180°F - 400°F and a cooking timer up to 30 minutes with an alarm feature that can be set to 5, 10 or 15 minutes to remind you to check what's cooking. Air frying offers a healthier and easier way to prepare your next meal in minutes.

Important Safeguards

1. READ THE ENTIRE MANUAL BEFORE ATTEMPTING TO OPERATE.
2. Keep the box and packing material for storage.
3. Do not immerse the cord, plug, or any part of the appliance in water or any other liquids to avoid electric shock.
4. Keep all the ingredients in the basket to prevent any contact from heating elements.
5. Do not cover the air inlet and outlet when the appliance is on.
6. Do not fill the pan with oil. Filling the pan with oil may cause a fire hazard.
7. Do not touch the inside of the appliance while it is operating.
8. Do not use the appliance if there is any damage to the plug, main cord, or other parts.
9. Do not go to any unauthorized person to replace or fix the appliance.
10. Keep the cord away from hot surfaces.
11. Do not plug in or use the appliance with wet hands.
12. Make sure that the appliance is plugged into the wall socket properly.
13. Make sure that the appliance is out of reach of children, especially when the fryer is operating.
14. Do not connect the appliance to an external timer switch.
15. Do not place the appliance on or near combustible materials, such as a tablecloth or curtain.
16. Do not place the appliance against a wall or any other

Important Safeguards - Continued

appliances. Leave at least 5 inches of free space around and above the appliance.

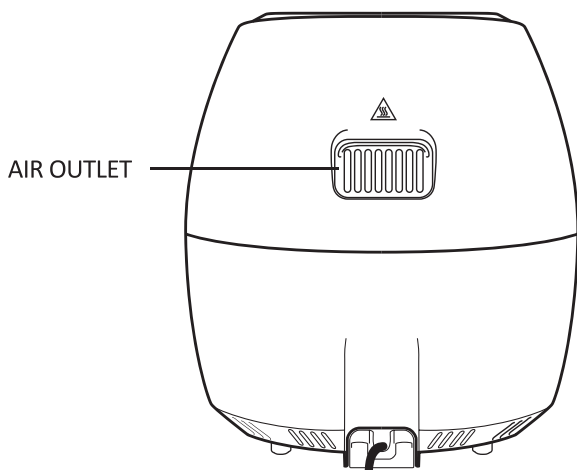
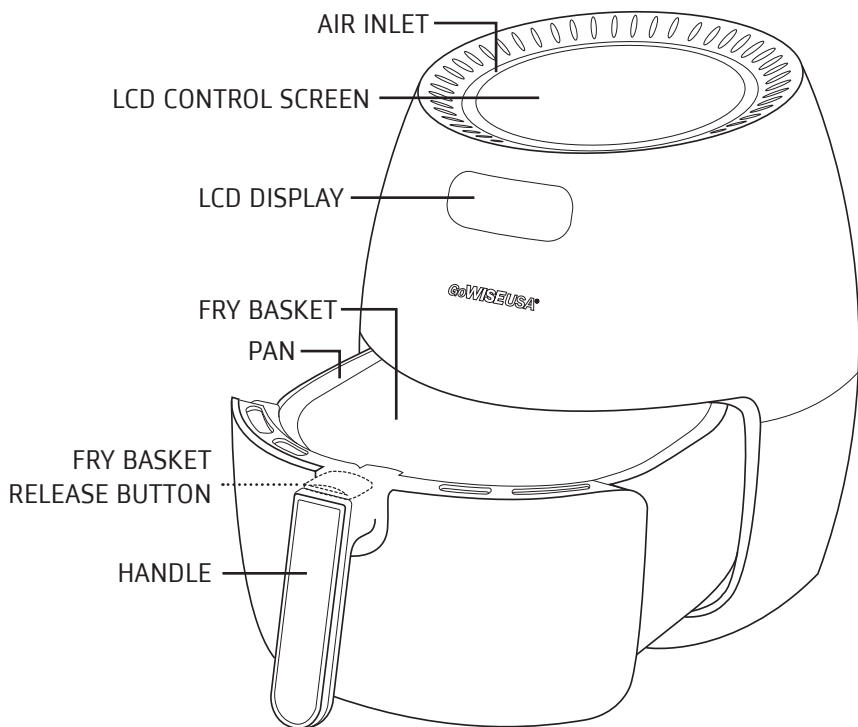
17. Do not place anything on top of the appliance.
18. Do not use the appliance for any other purposes other than described in this manual.
19. Do not leave the appliance unattended while it is operating.
20. During hot air frying, hot steam is released through the air outlet openings. Keep your hands and face at a safe distance from the steam and from the air outlet opening. Be careful of hot steam and air when you remove the pan from the appliance. Any accessible surface may become hot during use.
21. Immediately unplug the appliance if you see dark smoke coming out from the appliance. Wait for the smoke emission to stop before you remove the pan from the appliance.
22. Ensure that the appliance is placed on a horizontal, even, and stable surface.
23. This appliance is designed for household use only. It is not safe to use in environments such as staff kitchens, farms, motels, and other non-residential environments.
24. The warranty is void if the appliance is used for professional or semi-professional purposes, or it is not used according to instructions.
25. Always wait 30 minutes for the appliance to cool down before handling or cleaning it.
26. The Air Fryer base vents heat during the cooking process. Artificial stone countertops are not heat resistant - use a silicone pad or spare, non-artificial tile to protect your counters from heat damage.

Electromagnetic Fields (EMF)

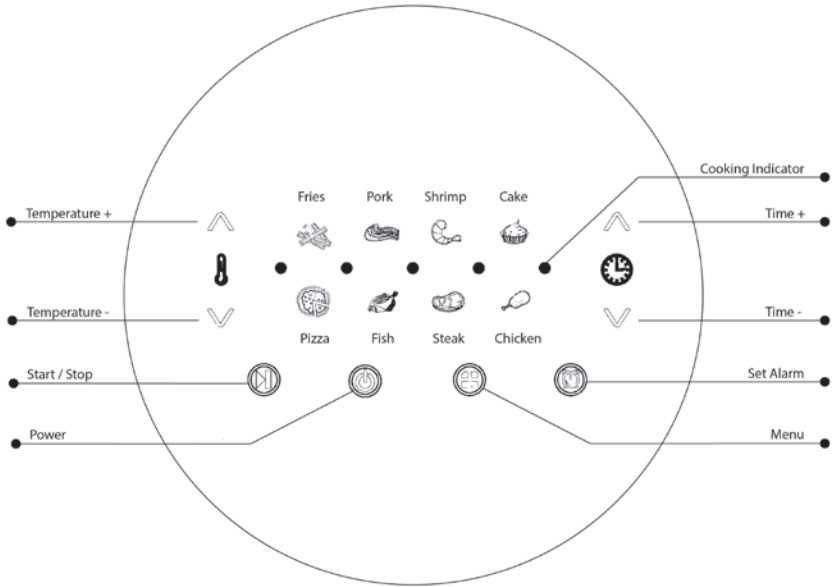
This GoWISE USA Air Fryer complies with all standards regarding Electromagnetic fields (EMF). Under proper handling, there is no harm done to the human body based on available scientific evidence.

If you have any questions regarding your Air Fryer, please contact Customer Service at 855-233-9199 or support@gowiseusa.com.

Product Structure & Features



Product Structure & Features - continued





To cycle through the pre-set cooking programs, press the Power icon, then press the Menu icon. You can adjust time or temperature by pressing the “^” or “v” icons.

Before First Use

1. Remove all packaging materials, stickers, and labels.
2. Clean the basket and pan with hot water, soap, and a non-abrasive sponge.
3. Wipe the inside and outside of the appliance with a clean cloth.

NOTE: DO NOT fill pan with oil or lard. The appliance uses rapid air circulation to fry.

How to Use Your Air Fryer

1. Place the air fryer on a flat and even surface. DO NOT PLACE THE AIR FRYER ON A SURFACE THAT IS NOT HEAT RESISTANT.
2. Place the basket in the pan. DO NOT FILL THE PAN WITH OIL OR ANY OTHER LIQUID.
3. Place the ingredients in the basket and then slide the basket and pan back into the appliance. The LCD screen should light up. NOTE: The basket is equipped with a button guard that ensures safe detachment. Simply slide the button back to detach the basket from the pan.
4. Press the Power icon and set cooking time and temperature by either choosing one of the 8 pre-set cooking programs using the Menu icon or manually set time and temperature with “” or “” icons.

NOTE: To select a different program or to make changes to the time and temperature after the air fryer has started, press the “Start/Stop” button. Set a different program, then press the “Start/Stop” button again.

5. Once you have selected the settings, press the Power icon to start the cooking cycle. Five dots in the middle of the display will blink one at a time horizontally, indicating the cooking

How to Use Your Air Fryer - continued

cycle has begun. If the five dots are blinking at once, the air fryer is in standby mode.

6. You may need to shake the ingredients midway through cooking cycle. Pull the pan out of the air fryer by the handle (the air fryer will automatically power down), and carefully shake the ingredients inside the basket using the handle.

CAUTION: DO NOT PRESS THE BUTTON ON THE HANDLE DURING THE SHAKING PROCESS. THIS WILL DETACH THE BASKET FROM THE PAN. If shaking the ingredients is too difficult to do while attached to the pan, place the pan on a pot holder then detach basket from pan, and shake the basket only.

7. Slide the pan and basket back into the air fryer by carefully aligning the track inside the air fryer with the rim of the pan. If you are unable to insert the basket into the air fryer, try lifting the handle as you are sliding the basket into the fryer.
8. After sliding the pan back into the air fryer, it will automatically resume the cooking cycle.
9. When the cooking time has been reached, the timer will beep five times. After the timer beeps, the fan will stop shortly after (approx. 20 seconds).

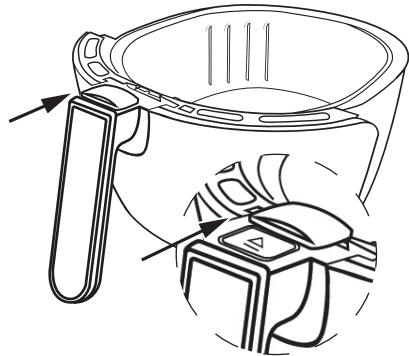
How to Use Your Air Fryer - continued

10. Slide the pan out of the air fryer and place it on a pot holder.
NOTE: Oil from the ingredients will gather in the bottom of the pan. Be careful when sliding the pan out of the air fryer.
11. To remove the ingredients, slide the button guard back and press the release button on the handle to free the basket from the pan. Carefully pour ingredients out of basket onto plate.
NOTE: See diagram on Page 13.
12. If you are using tongs, make sure to use non-abrasive, non-metal tongs to avoid scratching the non-stick coating on the basket.
13. Insert the basket back into the fryer, press the Power icon and the fan will run for approx. 20 seconds, then will go into standby mode.
NOTE: You must unplug the fryer to turn it off completely.

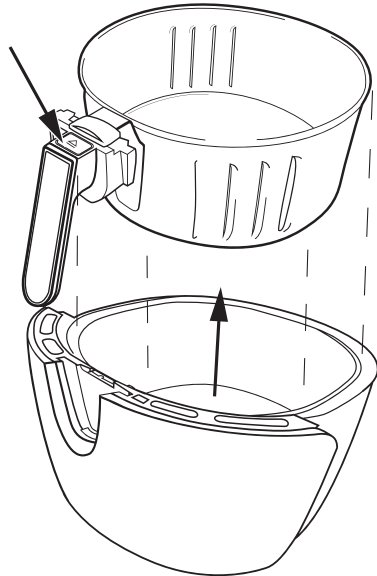
How to Use Your Air Fryer - continued

Detaching the basket

- A Slide back button guard to reveal the air fryer basket release button
- B Press basket release button while pulling up handle to free the basket from the pot



CAUTION: NEVER PRESS THE RELEASE BUTTON DURING SHAKING; THIS WILL DETACH THE BASKET FROM THE PAN.



To order replacement parts please contact GoWISE USA® customer service at 855-233-9199 or visit our website at www.gowiseusa.com.

How to Use Your Air Fryer - continued

Setting the Alarm Function

The alarm function alerts the user to check food in 5, 10, or 15 minutes into the set cooking time.

1. Press the Power Icon and choose either one of the cooking presets or manually set a time.
2. Press the "Alarm" button displayed with the alarm clock icon. This function will give you an option to set up in 5, 10, or 15 minutes.
3. Once you have chosen an alarm time, press the "Start/Stop" button to start the fryer. Both the cooking pre-set, and alarm icons should be blinking during the cooking cycle. NOTE: The alarm function will alert the user in the chosen interval depending on the set cooking time. For example, if the fryer is set to 30 minutes with an alarm function set up for 10 minutes, the fryer will beep every 10 minutes within the 30-minute cooking cycle.
4. To turn off the alarm function, press the "Start/Stop" icon. Then press the "Alarm" button repeatedly until you see the set temperature.

Cooking Guide

The table below is a guide that will help you with setting the time and temperature for certain ingredients.

NOTE: Please keep in mind that because ingredients differ in size, shape, brand, and origin, we cannot guarantee that this is the best setting for the ingredients you have.

Rapid Air Technology reheats the air inside the fryer instantly; therefore, removing the pan from the air fryer for a brief period of time will not interrupt the cooking process.

TIPS:

- Small ingredients usually require shorter cooking time compared to larger ingredients.
- Shaking smaller ingredients midway through the cooking process will ensure the ingredients cook more evenly and give a better result.
- Adding a very little amount of oil to fresh potatoes will give it a crispier result.
- Do not prepare extremely oily ingredients in the air fryer.
- Snacks that can be prepared in a traditional oven can also be prepared in the air fryer.
- The recommended quantity of fries to allow for a crispy result is 17.5 oz.
- Pre-made dough requires shorter cooking time than home-made dough.
- When making cake, quiche or ingredients with filling, use a baking tin or oven dish in the fryer basket.

Cooking Guide - continued

| Food | Time (minutes) | Temperature (°F) | Shake/Flip | Tips |
|-----------------------------|----------------|------------------|------------|---------------------|
| Potatoes & Fries | | | | |
| Thin Frozen Fries | 9-16 | 400°F | Shake | Add 1/2 Tbsp of Oil |
| Thick Frozen Fries | 11-20 | 400°F | Shake | |
| Homemade Fries | 16-20 | 400°F | Shake | |
| Homemade Potato Wedges | 18-22 | 360°F | Shake | |
| Homemade Potato Cubes | 12-18 | 360°F | Shake | |
| Falafel | 15 | 360°F | Shake | |
| Potato Gratin | 15-18 | 400°F | Shake | |
| Meat & Poultry | | | | |
| Steak | 8-12 | 360°F | Flip | Line with tin foil |
| Pork Chops | 10-14 | 360°F | Flip | |
| Hamburger | 7-14 | 360°F | Flip | |
| Sausage Roll | 13-15 | 400°F | Flip | |
| Drumsticks | 18-22 | 360°F | Flip | |
| Chicken Breast | 10-15 | 360°F | Flip | |
| Snacks | | | | |
| Spring Rolls | 8-10 | 400°F | Shake | |
| Frozen Chicken Nuggets | 6-10 | 400°F | Shake | |
| Frozen Fish Sticks | 6-10 | 400°F | Shake | |
| Frozen Mozzarella Sticks | 8-10 | 360°F | Shake | |
| Stuffed Vegetables | 10 | 320°F | | |
| Baking | | | | |
| Cake | 20-25 | 320°F | | Use baking tin |
| Quiche | 20-22 | 360°F | | |
| Muffins | 15-18 | 400°F | | |
| Sweet Snacks | 20 | 320°F | | |

If you have any questions regarding your air fryer, please contact Customer Service at 855-233-9199 or support@gowiseusa.com.

Cleaning Your Air Fryer

1. Clean the fryer after every use. Unplug the fryer. ALWAYS WAIT UNTIL THE FRYER HAS COOLED TO A SAFE TEMPERATURE BEFORE HANDLING.
2. Wipe the outside of the fryer with a damp cloth.
3. Clean the pan and basket with hot water, soap and non-abrasive sponge. You can remove any stuck-on food by using a degreasing liquid soap. For any hard-to-remove food, soak the pan in hot water.
4. Clean the inside of the appliance with a lightly dampened non-abrasive sponge or cloth. Be careful not to get the inside of the appliance too wet and never submerge in water.
5. Clean the heating element with a cleaning brush to remove any food debris.

Troubleshooting

| Problem | Possible Cause | Solution |
|---|--|--|
| The Fryer is not turning on | The appliance is not plugged in | Plug the appliance into a grounded wall socket |
| | You have not set the timer | Set the timer using the knob for the correct time on the appliance |
| Ingredients for the fryer are not done | The basket has been over filled with ingredients | Place smaller batches of ingredients in the basket. Smaller batches are fried more evenly |
| | The set temperature is too low | Increase the temp. control knob to the required temperature setting (see temperature presets in this manual). |
| The ingredients are fried unevenly in the fryer | Ingredient positioning or overflow | Ingredients that lay on top or across from each other(e.g. fries) need to be shaken midway through cooking |
| Fried snacks are not crispy after frying | Some snacks are crispier when traditionally fried | Use oven snacks or lightly brush some oil onto the snacks for a crispier result |
| Pan does not slide into fryer properly | Over filled basket | Do not fill the basket beyond the MAX fill indicator line |
| White smoke comes out from the fryer | It's normal for white smoke to appear when prepping greasy ingredients | When frying greasy ingredients a large amount of oil will leak into the pan. The oil produces white smoke and the pan may heat up more than usual. This does not affect the appliance or end food result |
| | The pan is still greasy | Clean pan properly after each use |
| Fresh fries are fried unevenly in the fryer | Potatoes are not fresh | Use fresh potatoes and make sure that they stay firm during frying |
| | Potato sticks have not been rinsed properly prior to frying | Make sure to rinse the potato sticks properly to remove the starch prior to frying |
| Fries are not crispy | Oil and water in fries | Potato sticks should be dry prior to adding oil |
| | | Add more oil for a crispier result |

Warranty

General Warranty excludes refurbished / auction items.

GoWISE USA has a 1-year limited warranty for all products. Products are warranted against defects in materials and workmanship for 1 year from the date of purchase, when used in accordance with the instructions provided. This warranty does not cover damages or wear resulting from accident, misuse, abuse, commercial use, or unauthorized adjustment and/or repair.

GoWISE USA shall not be liable for loss of use or any other incidental, consequential or indirect costs, expenses or damages. There are no express warranties except as listed above. This warranty gives you specific legal rights and you may have other rights which vary from state to state.

CALL 855-233-9199 for RETURN INSTRUCTIONS

WE DO NOT SERVICE PRODUCTS OUTSIDE THE 48 CONTINENTAL UNITED STATES. WE WILL SHIP TO A FREIGHT FORWARDER FOR CUSTOMERS.

NOTE: Customers are responsible for all return shipping costs. When item(s) are returned under warranty as being defective, they are thoroughly tested to verify manufacturer defect. If any item(s) are determined to be in proper working order after testing, all shipping cost to have the product returned to the customer will be the responsibility of the customer.

Return Period: 30 Days

All return requests must be made within 30 days from the date our customers purchase their product(s). Refunds are only applicable during the 30-day return period and may be subject to restocking fees up to 15% of the original purchase amount. If the product is defective within 30 days, GoWISE USA will cover the cost of return shipping. However, a photo and/or video from the customer is required to receive a pre-paid shipping label. If the product is missing any accessories that were

Warranty - continued

included in the original packaging/shipment, or the product is damaged, altered or used, the item may no longer be eligible for a refund or replacement. Any decision of refund and/or replacement will be decided at the discretion of GoWISE USA.

NOTE: Customers are responsible for all return shipping costs after 30 days.

Defective/Freight Damaged:

Products that are within the 30-day return period and have been determined by customer service to be defective are qualified for a return label for the product to be returned to GoWISE USA for inspection and testing. GoWISE USA will provide a return shipping label for defective product(s) only. Customers must contact the carrier (shipping company) for products that have arrived damaged after initial transit. Clear photographic and video proof of damage and/or defective product(s) is REQUIRED prior to GoWISE USA authorizing the return of any product.

Purchase from 3rd Parties:

In order for the GoWISE USA customer service team to lookup the warranty information regarding the product(s), the original order information and/or proof of purchase is required. Without this information, GoWISE USA will be unable to move forward with providing a replacement under warranty, as we do not know the date or origin of the purchase. GoWISE USA does not have a working business relationship with 3rd party selling sites or services or individuals which are not listed below as one of our authorized retailers. GoWISE USA is not responsible for making inquiries to such 3rd parties for the purpose of obtaining documentation. It is the responsibility of the person(s) making the warranty claim to provide original documentation such as order information and/or a receipt so that customer service can process the request. Any claim made under GoWISE USA warranty guidelines must be

Warranty - continued

made by original purchaser of the product(s). Any defective product(s) will be replaced as long as the issues with the device fall within warranty guidelines.

Authorized Retailers:

Amazon

GoWISE USA

WayFair

Houzz

Home Depot

etailz

MorningSave.com

Bed Bath & Beyond

Jet.com

Walmart.com

GoWISE USA®

www.gowiseusa.com
support@gowiseusa.com
855-233-9199

- To ensure correct use of this appliance, read these instructions carefully and thoroughly.
- Please keep this manual for future reference.
- Thank you for purchasing this GoWISE USA electric air fryer.

USE PROMO CODE: **LIVewisERAF**

10% OFF

YOUR NEXT **GoWISE USA®** PURCHASE

