

GAS BUILT-IN COOKTOP OWNER'S MANUAL

TABLE DE CUISSON À GAZ ENCASTRÉE MANUEL DU PROPRIÉTAIRE

Table of Contents/Table des matières

COOKTOP SAFETY	2	SÉCURITÉ DE LA TABLE DE CUISSON	14
Cooktop Safety	2	Sécurité de la table de cuisson	14
COOKTOP MAINTENANCE AND CARE	5	ENTRETIEN ET RÉPARATION DE LA TABLE DE CUISSON	17
General Cleaning	5	Nettoyage général	17
Cleaning the Burner: Tips	5	Conseils pour le nettoyage des brûleurs	18
INSTALLATION INSTRUCTIONS	6	INSTRUCTIONS D'INSTALLATION	18
REQUIREMENTS	6	EXIGENCE	18
Tools and Parts	6	Outils et pièces	18
Location Requirements	6	Exigences d'emplacement	18
Electrical Requirements	9	Spécifications électriques	21
Gas Supply Requirements	9	Spécifications de l'alimentation en gaz	21
INSTALLATION	10	INSTALLATION	22
Install Cooktop	10	Installation de la table de cuisson	22
Make Gas Connection	11	Raccordement au gaz	23
Complete Installation	13	Achever l'installation	25

IMPORTANT:

Installer: Leave installation instructions with the homeowner.

Homeowner: Keep installation instructions for future reference.

IMPORTANT :

Installateur : Remettre les instructions d'installation au propriétaire.

Propriétaire : Conserver les instructions d'installation pour référence ultérieure.

COOKTOP SAFETY

Your safety and the safety of others are very important.

We have provided many important safety messages in this manual and on your appliance. Always read and obey all safety messages.



This is the safety alert symbol.

This symbol alerts you to potential hazards that can kill or hurt you and others.

All safety messages will follow the safety alert symbol and either the word "DANGER" or "WARNING." These words mean:

⚠ DANGER

You can be killed or seriously injured if you don't immediately follow instructions.

⚠ WARNING

You can be killed or seriously injured if you don't follow instructions.

All safety messages will tell you what the potential hazard is, tell you how to reduce the chance of injury, and tell you what can happen if the instructions are not followed.

WARNING: If the information in these instructions is not followed exactly, a fire or explosion may result causing property damage, personal injury or death.

- Do not store gasoline or other flammable vapors and liquids in the vicinity of this or any other appliance.
- **WHAT TO DO IF YOU SMELL GAS**
 - Do not try to light any appliance.
 - Do not touch any electrical switch.
 - Do not use any phone in your building.
 - Immediately call your gas supplier from a neighbor's phone. Follow the gas suppliers instructions.
 - If you cannot reach your gas supplier, call the fire department.
- Installation and service must be performed by a qualified installer, service agency or the gas supplier.

⚠ WARNING:

Never Operate the Top Surface Cooking Section of this Appliance Unattended

- Failure to follow this warning statement could result in fire, explosion, or burn hazard that could cause property damage, personal injury, or death.
- If a fire should occur, keep away from the appliance and immediately call your fire department.

DO NOT ATTEMPT TO EXTINGUISH AN OIL/GREASE FIRE WITH WATER.

WARNING: Gas leaks cannot always be detected by smell.

Gas suppliers recommend that you use a gas detector approved by UL or CSA.

For more information, contact your gas supplier.

If a gas leak is detected, follow the “What to do if you smell gas” instructions.

IMPORTANT: Do not install a ventilation system that blows air downward toward this gas cooking appliance. This type of ventilation system may cause ignition and combustion problems with this gas cooking appliance resulting in personal injury or unintended operation.

In the State of Massachusetts, the following installation instructions apply:

- Installation and repairs must be performed by a qualified or licensed contractor, plumber, or gas fitter qualified or licensed by the State of Massachusetts.
- Acceptable Shut-off Devices: Gas Cocks and Ball Valves installed for use shall be listed.
- A flexible gas connector, when used, must not exceed 4 feet (121.9 cm).

IMPORTANT SAFETY INSTRUCTIONS

WARNING: To reduce the risk of fire, electrical shock, injury to persons, or damage when using the cooktop, follow basic precautions, including the following:

WARNING

NEVER use this appliance as a space heater to heat or warm the room. Doing so may result in carbon monoxide poisoning and overheating of the cooktop.

- **CAUTION:** Do not store items of interest to children in cabinets above the cooktop – children climbing on the cooktop to reach items could be seriously injured.
 - Do Not Leave Children Alone - Children should not be left alone or unattended in area where appliance is in use. They should never be allowed to sit or stand on any part of the appliance.
 - Wear Proper Apparel – Loose-fitting or hanging garments should never be worn while using the appliance.
 - User Servicing – Do not repair or replace any part of the appliance unless specifically recommended in the manual. All other servicing should be referred to a qualified technician.
 - Storage in or on Appliance – Flammable materials should not be stored in an oven or near surface units.
 - Do Not Use Water on Grease Fires – Smother fire or flame or use dry chemical or foam-type extinguisher.
 - Use Only Dry Potholders – Moist or damp potholders on hot surfaces may result in burns from steam. Do not let potholder touch hot surface units. Do not use a towel or other bulky cloth.
 - Never Leave Surface Units Unattended at High Heat Settings – Boilover causes smoking and greasy spillovers that may ignite.
 - Glazed Cooking Utensils – Only certain types of glass, glass/ceramic, ceramic, earthenware, or other glazed utensils are suitable for range-top service without breaking due to the sudden change in temperature.
 - Utensil Handles Should Be Turned Inward and Not Extend Over Adjacent Surface Units – To reduce the risk of burns, ignition of flammable materials, and spillage due to unintentional contact with the utensil, the handle of a utensil should be positioned so that it is turned inward, and does not extend over adjacent surface units.
 - Do not use replacement parts that have not been recommended by the manufacturer (e.g. parts made at home using a 3D printer).
 - Clean Cooktop With Caution – If a wet sponge or cloth is used to wipe spills on a hot cooking area, be careful to avoid steam burn. Some cleaners can produce noxious fumes if applied to a hot surface.
 - Do Not Heat Unopened Food Containers – Build-up of pressure may cause container to burst and result in injury.
 - Proper Installation - The appliance, when installed, must be electrically grounded in accordance with local codes, or in the absence of local codes, with the *National Electrical Code, ANSI/NFPA 70* or the *Canadian Electrical Code, CSA C22.1-02*. In Canada, the appliance must be electrically grounded in accordance with Canadian Electrical Code. Be sure your appliance is properly installed and grounded by a qualified technician.
 - This cooktop is equipped with a three-prong grounding plug for your protection against shock hazard and should be plugged directly into a properly grounded receptacle. Do not cut or remove the grounding prong from this plug.
 - Disconnect the electrical supply before servicing the cooktop.
 - Injuries may result from the misuse of the cooktop such as stepping, leaning, or sitting on the top surface.
 - Maintenance – Keep cooktop area clear and free from combustible materials, gasoline, and other flammable vapors and liquids.
 - Top burner flame size should be adjusted so it does not extend beyond the edge of the cooking utensil.
- For units with ventilating hood –**
- Clean Ventilating Hoods Frequently – Grease should not be allowed to accumulate on hood or filter.
 - When flaming foods under the hood, turn the fan on.
- For smart enabled ranges and ovens**
- Remote operation – This appliance is configurable to allow remote operation at any time. Do not store any flammable materials or temperature sensitive items inside, on top or near surface units of the appliance.

SAVE THESE INSTRUCTIONS

COOKTOP MAINTENANCE AND CARE

General Cleaning

IMPORTANT: Before cleaning, make sure all controls are off and the cooktop is cool. Always follow label instructions on cleaning products.

Soap, water, and a soft cloth or sponge are suggested first, unless otherwise noted. Food spills containing acids, such as vinegar and tomato, should be cleaned as soon the cooktop is cool. These spills may affect the finish.

Surface Type	Cleaning Recommendation
Control Knobs	The knobs should be cleaned with soap and water. Do not clean knobs in the dishwasher or use abrasive cleaners or steel wool. To remove the knobs, be sure the knobs are in the OFF position. Do not remove the seals under the knobs.
Burner Grates	Soap and Water: Use a nonabrasive plastic scrubbing pad and mildly abrasive cleanser, soap, and water. Dishwasher: The grates may be cleaned in the dishwasher. Remove any burnt-on food prior to placing the grates in the lowest rack in the dishwasher. To avoid chipping, do not bang grates against each other or hard surfaces, such as cast iron cookware. Although the grates are durable, they will gradually lose their shine due to exposure to high temperatures.
Burner Caps	Use a nonabrasive plastic scrubbing pad and mildly abrasive cleanser, soap, and water. Do not place caps in the dishwasher or reassemble caps on burners when wet.
Burner Base	The holes in the burner bases must be kept clean for proper ignition and a complete, even flame. Refer to "Cleaning the Burners: Tips."
Stainless Steel Cooktop Surface	For best results, use a soft cloth or non-scratch sponge. Rub in direction of the grain to avoid damaging the surface. Use all-purpose cleaner, such as affresh®+ Kitchen and Appliance Cleaner, Part Number W10355010. For stainless steel finishes, use affresh® Stainless Steel Cleaner, Part Number W10355016. Do not use scouring pads, abrasive cleaners, cooktop cleaner, steel wool pads, gritty washcloths, or abrasive paper towels. To order affresh® cleaners, refer to the Quick Start Guide for ordering information.
Porcelain Enamel Cooktop Surface (on some models)	Use a nonabrasive scrubbing pad and glass cleanser or a mild liquid cleaner, such as affresh® Kitchen and Appliance Cleaner, Part Number W10355010.
Griddle (on some models)	Use soap and water or mild detergent. To avoid damaging the nonstick surface, do not clean the griddle in the dishwasher or use abrasive cleaners.

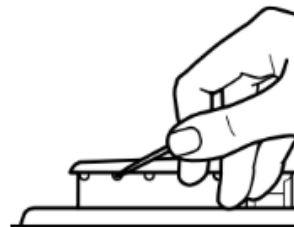
Cleaning the Burner: Tips

The burners should be kept clean. Spillovers should be cleaned immediately since they can clog the openings in the burners.

IMPORTANT: Before cleaning, make sure all controls are OFF and the cooktop is cool. For more information, see the "General Cleaning" section.

- Remove the burner cap from the base. Clean the burner cap with hot soapy water, and then rinse it.
- Remove the burner base and clean the gas tube opening under the base.

- Clean clogged burner ports with a straight pin, needle, or small-gauge wire as shown. Do not use a wooden toothpick or clean in the dishwasher.



- Gently clean the igniter with a damp cloth.

INSTALLATION INSTRUCTIONS

REQUIREMENTS

Tools and Parts

Tools Needed

- Tape measure
- Flat-blade screwdriver
- Phillips screwdriver
- 15/16" (24 mm) combination wrench
- Pipe wrench
- Wrench or pliers
- Marker or pencil
- Pipe-joint compound resistant to Propane gas
- Noncorrosive leak-detection solution

Parts Supplied

- Gas pressure regulator
- Burner grates
- Burner caps
- Burner base
- Clamping brackets (2)
- Bracket attachment screws (2)

Parts needed

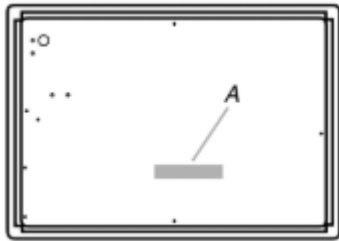
Check local codes and consult gas supplier. Check existing gas supply and electrical supply. See "Electrical Requirements" and "Gas Supply Requirements" sections.

NOTE: Be sure to purchase only Whirlpool factory-certified parts and accessories for your appliance. Your installation may require additional parts. To order, refer to the contact information referenced in your Quick Start Guide.

Location Requirements

IMPORTANT: Observe all governing codes and ordinances. Do not obstruct flow of combustion and ventilation air.

- It is the installer's responsibility to comply with installation clearances specified on the model/serial/rating plate. The model/serial/rating plate is located on the underside of the cooktop base.



A. Model/serial/rating plate

- The cooktop must be a specified cooktop that is approved to be installed either alone or over an undercounter built-in oven. Check the cooktop base approved installation label for your cooktop model number and approved combinations of cooktops and ovens that can be installed. If you do not find this label, your cooktop may not be approved for use over an undercounter built-in oven. Contact your dealer to confirm that your cooktop is approved.
- Ovens approved for this type of installation will have an approval label located on the top of the oven. If you do not find this label, contact your dealer to confirm that your oven is approved. Refer to oven manufacturer's Installation Instructions for approval for built-in undercounter use and proper cutout dimensions.
- The cooktop should be installed in a location away from strong draft areas, such as windows, doors and strong heating vents or fans.
- All openings in the wall or floor where cooktop is to be installed must be sealed.
- Cabinet opening dimensions that are shown must be used. Given dimensions are minimum clearances.
- Grounded electrical supply is required. See "Electrical Requirements" section. Proper gas supply connection must be available. See "Gas Supply Requirements" section.
- The cooktop is designed to hang from the countertop by its side or rear flanges.
- The gas and electric supply should be located as shown in "Cabinet Dimensions" section so that they are accessible without requiring removal of the cooktop.
- Provide cutout in right rear corner of cutout enclosure as shown to provide clearance for gas inlet, power supply cord, and to allow the rating label to be visible.

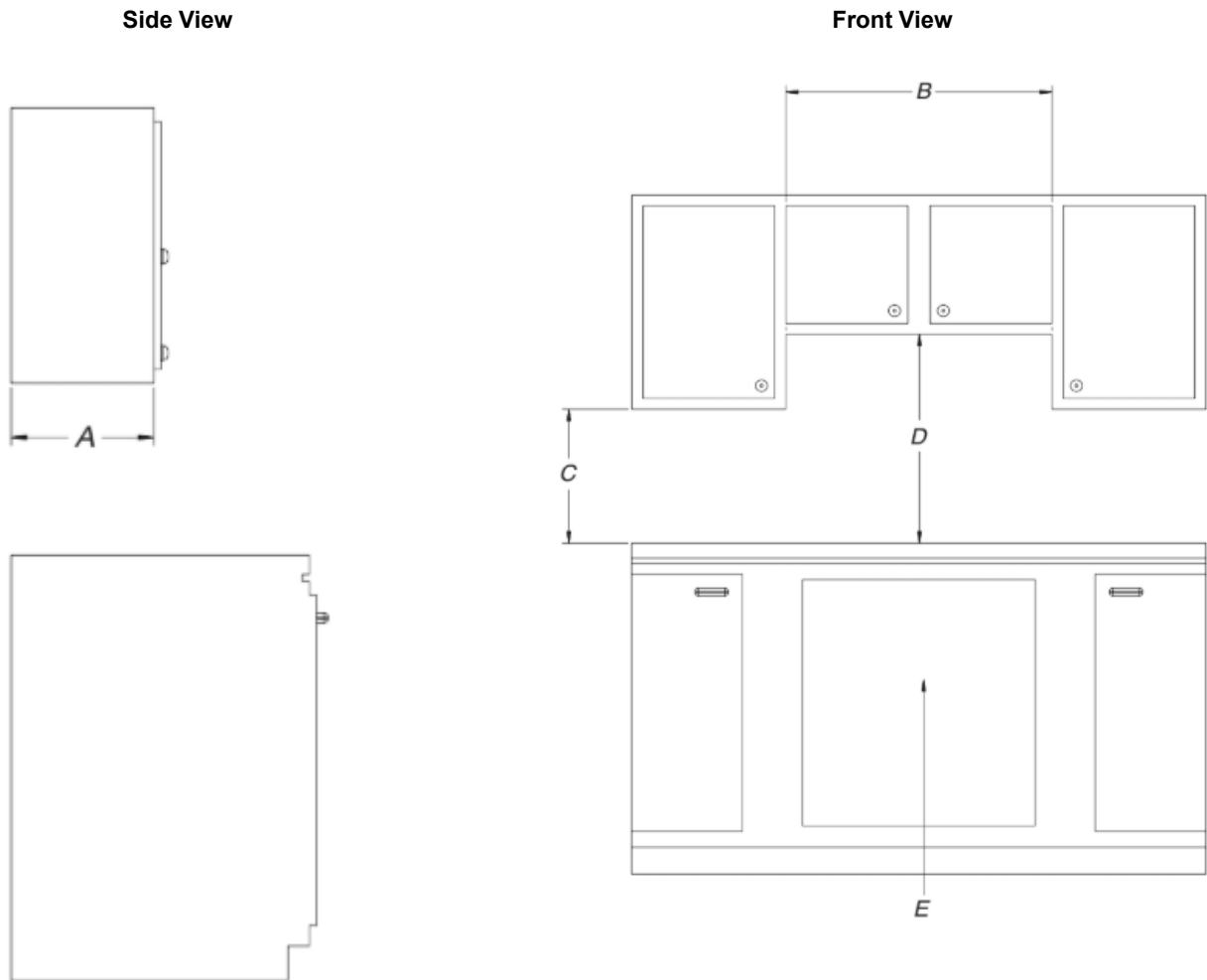
IMPORTANT: To avoid damage, check with your builder or cabinet supplier to make sure that the materials used will not discolor, delaminate or sustain other damage.

Mobile Home - Additional Installation Requirements

The installation of this cooktop must conform to the Manufactured Home Construction and Safety Standard, Title 24 CFR, Part 3280 (formerly the Federal Standard for Mobile Home Construction and Safety, Title 24, HUD Part 280). When such standard is not applicable, use the Standard for Manufactured Home Installations, ANSI A225.1/NFPA 501A or local codes.

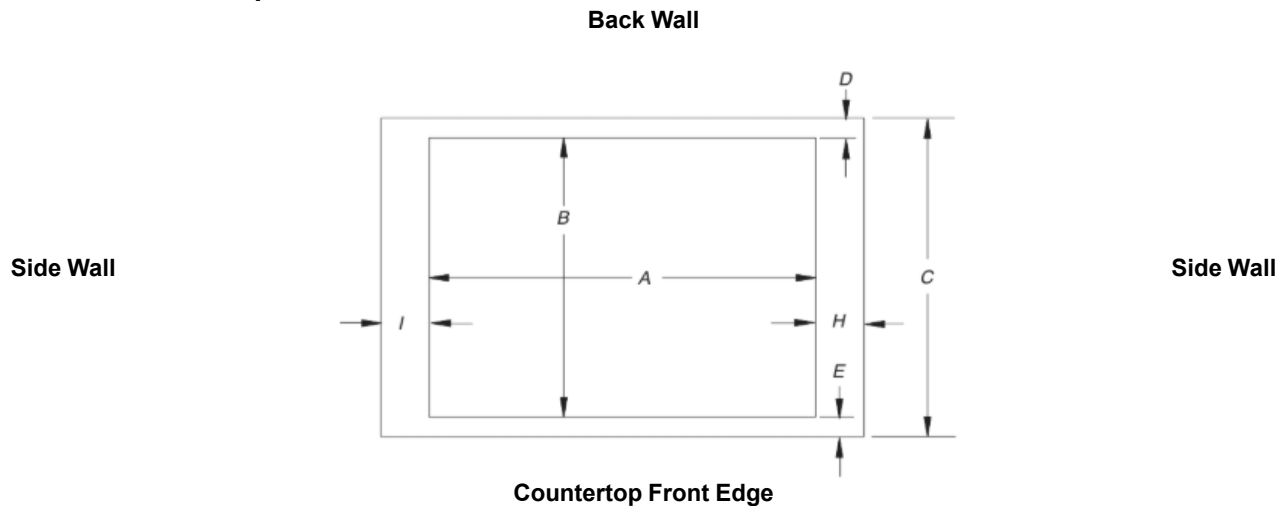
In Canada, the installation of this range must conform with the current standards CAN/CSA-Z240.1, latest edition, or with local codes.

Cabinet Clearances



- A. 13" (33.0 cm) recommended upper cabinet depth.
- B. 30" (76.2 cm) for 30" models; 36" (91.4 cm) for 36" models.
- C. 18" (45.7 cm) minimum clearance from upper cabinet to countertop within minimum horizontal clearances to cooktop.
- D. 30" (76.2 cm) minimum clearance between top of cooktop platform and bottom of uncovered wood or metal cabinet. 24" [61 cm] minimum clearance if bottom of wood or metal cabinet is covered by not less than 1/4" [0.6 cm] flame retardant millboard covered with not less than No. 28 MSG sheet steel, 0.015" [0.04 cm] stainless steel, or 0.024" [0.06 cm] aluminum or 0.020" [0.05 cm] copper.
- E. Gas line opening - Wall: anywhere 5" (12.7 cm) below underside of countertop. Cabinet floor: anywhere within 6" (15.2 cm) of rear wall is recommended.

Cutout Dimensions - Top View



Cutout (Product Opening) Dimensions						
30" (76.2 cm) Models						
Models	A			B		
	Minimum	Recommended	Maximum	Minimum	Recommended	Maximum
KCGS550 and KCGS950	28½" (72.4 cm)	28⅞" (73.4 cm)	29⅝" (74.3 cm)	19½" (49.5 cm)	19⅜" (50.2 cm)	20" (50.8 cm)
All Other 30" (76.2 cm) Models	28½" (72.4 cm)	28⅞" (73.4 cm)	29⅝" (74.3 cm)	19" (48.3 cm)	19½" (49.5 cm)	20" (50.8 cm)
36" (91.4 cm) Models						
KCGS556 and KCGS956	34⅞" (88.4 cm)	35⅜" (89.4 cm)	35⅝" (90.3 cm)	19½" (49.5 cm)	19⅜" (50.2 cm)	20" (50.8 cm)
All Other 36" (91.4 cm) Models	33⅞" (86.0 cm)	34⅝" (87.0 cm)	35¼" (89.5 cm)	19" (48.3 cm)	19½" (49.5 cm)	20" (50.8 cm)

Side Walls (Combustible Surfaces)	
Models	H and I
KCGS5 and KCGS9	H and I added together must be at least 48" (122.0 cm), with each side individually being at least 8" (20.3 cm).
KCGS350, KCGS356, MGC9536, WCG97US0, WCG97US6	H and I added together must be at least 48" (122.0 cm), with each side individually being at least 12" (30.5 cm).
All Other Models	Both have to be 8" (20.3 cm) or more.

Back Wall and Countertop Front Dimensions			
Models	C	D	E
KCGS550 and KCGS950	25" (63.5 cm)	2⅞" (7.3 cm)	2¾" (6.9 cm)
All Other Models			3⅛" (7.9 cm)

NOTE: After making the countertop cutout, some installations may require notching down the base cabinet side walls to clear the cooktop base. To avoid this modification, use a base cabinet with sidewalls wider than the cutout.

If cabinet has a drawer, a 4" (10.2 cm) depth clearance from the countertop to the top of the drawer (or other obstruction) in base cabinet is required. The drawer depth may need to be shortened to avoid interfering with the regulator.

IMPORTANT: If a built-in wall oven is to be installed below this cooktop, the grounded outlet and gas supply piping must be located in an adjacent cabinet. If installing a range hood or microwave hood combination above the cooking surface, follow the range hood or microwave hood combination installation instructions for dimensional clearances above the cooktop surface.

This cooktop and its gas and electrical supply sources must be installed before the undercounter built-in wall oven is installed.

Electrical Requirements

⚠WARNING



Electrical Shock Hazard

- Plug into a grounded 3 prong outlet.**
- Do not remove ground prong.**
- Do not use an adapter.**
- Do not use an extension cord.**
- Failure to follow these instructions can result in death, fire, or electrical shock.**

IMPORTANT: The cooktop must be electrically grounded in accordance with local codes and ordinances, or in the absence of local codes, with the National Electrical Code, ANSI/NFPA 70 or Canadian Electrical Code, CSA C22.1.

This cooktop is equipped with an electronic ignition system that will not operate if plugged into an outlet that is not properly polarized.

If codes permit and a separate ground wire is used, it is recommended that a qualified electrical installer determine that the ground path is adequate.

A copy of the above code standards can be obtained from:

National Fire Protection Association
1 Batterymarch Park
Quincy, MA 02169-7471

CSA International
8501 East Pleasant Valley Road
Cleveland, OH 44131-5575

- A 120 V, 60 Hz, AC only, 15 A, fused electrical circuit is required. A time-delay fuse or circuit breaker is also recommended. It is recommended that a separate circuit serving only this cooktop be provided.
- Electronic ignition systems operate within wide voltage limits, but proper grounding and polarity are necessary. Check that the outlet provides 120 V power and is correctly grounded.
- The wiring diagrams are provided with this cooktop. See the "Wiring Diagrams".

Gas Supply Requirements

⚠WARNING



Explosion Hazard

- Use a new CSA International approved gas supply line.**
- Install a shut-off valve.**
- Securely tighten all gas connections.**
- If connected to propane, have a qualified person make sure gas pressure does not exceed 14" (36 cm) water column.**
- Examples of a qualified person include: licensed heating personnel, authorized gas company personnel, and authorized service personnel.**
- Failure to do so can result in death, explosion, or fire.**

Observe all governing codes and ordinances.

IMPORTANT: This installation must conform with all local codes and ordinances. In the absence of local codes, installation must conform with the National Fuel Gas Code, ANSI Z223.1/NFPA 54 or, in Canada, the Natural Gas and Propane Installation Code, CSA B149.1 - latest edition.

IMPORTANT: Leak testing of the cooktop must be conducted according to the manufacturer's instructions.

Type of Gas

Natural Gas:

This cooktop is factory set for use with Natural gas. If converting to Propane gas, see the following "Propane Gas Conversion" section. The model/serial rating plate located on the underside of the cooktop base has information on the types of gas that can be used. If the types of gas listed do not include the type of gas available, check with the local gas supplier.

Propane Gas Conversion:

Conversion must be done by a qualified service technician.

No attempt shall be made to convert the cooktop from the gas specified on the model/serial/rating plate for use with a different gas without consulting the serving gas supplier. See the Gas Conversion instructions provided in the package containing literature.

Gas Supply Line

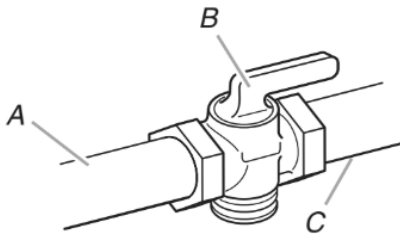
- Provide a gas supply line of 3/4" (19 mm) rigid pipe to the cooktop location. A smaller size pipe on longer runs may result in insufficient gas supply. Pipe-joint compounds that resist the action of Propane gas must be used. Do not use TEFLON[†] tape. With Propane gas, piping or tubing size should be 1/2" (13 mm) minimum. Usually, Propane gas suppliers determine the size and materials used in the system.

Flexible Metal Appliance Connector:

- If local codes permit, use a 1/2" (13 mm) or 3/4" (19 mm) I.D. flexible stainless steel tubing gas connector, designed by CSA to connect the cooktop to the rigid gas supply line.



- A 1/2" (13 mm) male pipe thread is needed for connection to the female pipe threads of the inlet to the cooktop pressure regulator.
- Do not kink or damage the flexible metal tubing when moving the cooktop.
- Must include a shut-off valve:
Install a manual gas line shut-off valve in an easily accessible location. Do not block access to shut-off valve. The valve is for turning on or shutting off gas to the cooktop.



- A. Gas supply line
- B. Shut-off valve "open" position
- C. To range

Gas Pressure Regulator

The gas pressure regulator supplied with this cooktop must be used. The inlet pressure to the regulator should be as follows for proper operation:

Natural Gas:

Minimum pressure: 5" (12.7 cm) WCP

Maximum pressure: 7" to 14" (17.8 cm to 35.5 cm) WCP

Propane Gas:

Minimum pressure: 10" (25.4 cm) WCP

Maximum pressure: 14" (35.5 cm) WCP

Contact local gas supplier if you are not sure about the inlet pressure.

Burner Input Requirements

Input ratings shown on the model/serial/rating plate are for elevations up to 2,000 ft (609.6 m).

For elevations above 2,000 ft (609.6 m), ratings should be reduced at a rate of 4% for each 1,000 ft (304.8 m) above sea level (not applicable for Canada).

Gas Supply Pressure Testing

Gas supply pressure for testing regulator must be at least 1" (2.5 cm) water column pressure above the manifold pressure shown on the model/serial rating plate.

Line pressure testing above 1/2 psi (3.5 kPa) gauge 14" (35.5 cm) WCP

The cooktop and its individual shutoff valve must be disconnected from the gas supply piping system during any pressure testing of that system at test pressures in excess of 1/2 psi (3.5 kPa).

Line pressure testing at 1/2 psi (3.5 kPa) gauge 14" (35.5 cm) WCP or lower

The cooktop must be isolated from the gas supply piping system by closing its individual manual shut-off valve during any pressure testing of the gas supply piping system at test pressures equal to or less than 1/2 psi (3.5 kPa).

INSTALLATION

Install Cooktop

⚠ WARNING

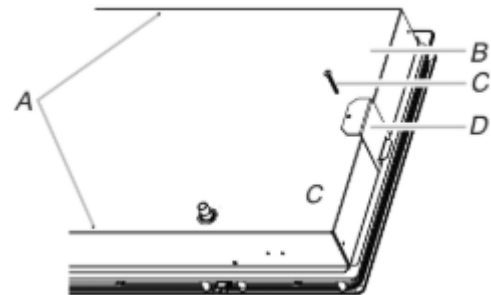
Excessive Weight Hazard

Use two or more people to move and install or uninstall appliance.

Failure to do so can result in back or other injury.

Decide on the final location for the cooktop. Avoid drilling into or severing existing wiring during installation.

1. Determine whether your cabinet construction provides clearance for installing clamping brackets at cooktop base ends. This is the recommended location. Clamping brackets can be installed on the front and back of cooktop base bottom, if necessary.



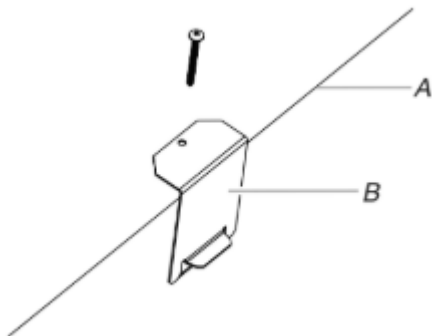
- A. Attachment screw holes for optional front and back location
- B. Cooktop base bottom
- C. Attachment screw
- D. Clamping bracket (end locations recommended)

2. Using 2 or more people, place cooktop right side up into the cutout.

NOTE: Make sure that the front edge of the cooktop is parallel to the front edge of the countertop. If repositioning is needed, lift entire cooktop up from cutout to avoid scratching the countertop.

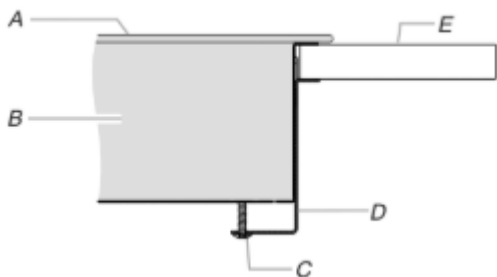
[†]TEFLON is a registered trademark of Chemours.

- Remove the attachment screws for the selected bracket locations from the bottom of the cooktop base.



- A. Attachment screw holes for optional front and back location
 B. Cooktop base bottom

- Attach brackets to cooktop base bottom with bracket attachment screws. Securely tighten screws.



- A. Cooktop
 B. Cooktop base
 C. 2" (5.1 cm) bracket attachment screw
 D. Clamping bracket (extends far enough beyond cooktop base to allow installation of clamping screws)
 E. Countertop

Make Gas Connection

⚠ WARNING



Explosion Hazard

Use a new CSA International approved gas supply line.

Install a shut-off valve.

Securely tighten all gas connections.

If connected to propane, have a qualified person make sure gas pressure does not exceed 14" (36 cm) water column.

Examples of a qualified person include: licensed heating personnel, authorized gas company personnel, and authorized service personnel.

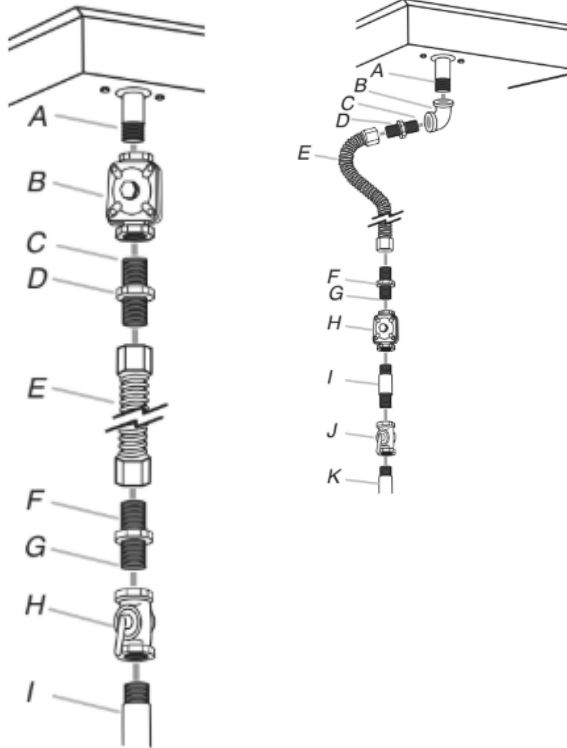
Failure to do so can result in death, explosion, or fire.

Typical flexible connection

- Apply pipe-joint compound made for use with Natural and propane gas to the smaller thread ends of the flexible connector adapters (see C and G in the following illustration).
- Attach one adapter to the gas pressure regulator and the other adapter to the gas shutoff valve. Tighten both adapters.

- Use a 15/16" (2.4 cm) combination wrench and channel lock pliers to attach the flexible connector to the adapters. Check that connector is not kinked.

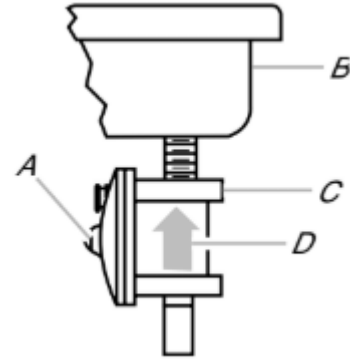
IMPORTANT: All connections must be wrench-tightened. Do not make connections to the gas regulator too tight. Making the connections too tight may crack the regulator and cause a gas leak. Do not allow the regulator to turn when tightening fittings.



- A. Manifold entrance
- B. Gas pressure regulator
- C. Use pipe-joint compound.
- D. Adapter (must have 1/2" (1.3 cm) male pipe thread)
- E. Flexible connector
- F. Adapter
- G. Use pipe-joint compound.
- H. Manual gas shutoff valve
- I. 1/2" (1.3 cm) or 3/4" (1.9 cm) gas pipe

- A. Manifold entrance
- B. 3/4" (1.9 cm) elbow
- C. Use pipe-joint compound.
- D. Adapter (must have 3/8" (9.5 mm) male pipe thread)
- E. Flexible connector (pass through wall between cabinets)
- F. Adapter (must have 3/8" (9.5 mm) male pipe thread)
- G. Use pipe-joint compound.
- H. Appliance pressure regulator (supplied)
- I. 1/2" (1.3 cm) or 3/4" (1.9 cm) gas pipe
- J. Manual gas shutoff valve
- K. 1/2" (1.3 cm) or 3/4" (1.9 cm) gas pipe

- Install the pressure regulator with the arrow pointing in the direction toward the bottom of the cooktop base and in a position where you can reach the regulator access cap.



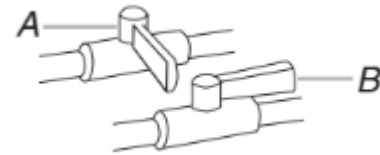
- A. Access cap
- B. Rear of cooktop
- C. Gas pressure regulator
- D. Up arrow. Regulator must be installed with arrow pointing up to cooktop bottom

Use only pipe-joint compound made for use with Natural and propane gas.

Do not use TEFLON® tape. You will need to determine the fittings required depending on your installation.

Complete Connection

- Open the manual shutoff valve in the gas supply line. The valve is open when the handle is parallel to the gas pipe.

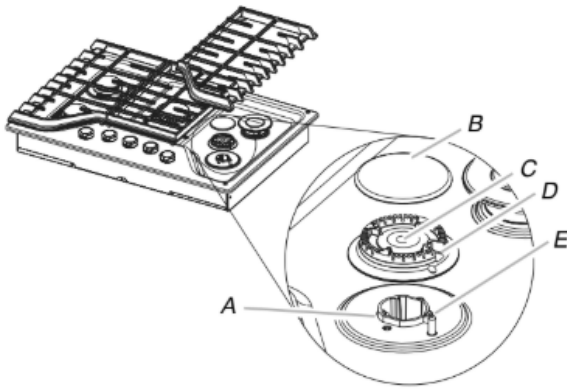


- A. Closed valve
- B. Open valve

- Test all connections by brushing on an approved noncorrosive leak-detection solution. Bubbles will show a leak. Correct any leak found.

- Remove surface burner caps, burner base and grates from parts package. Align notches in burner caps with pins in burner base.

Align orifice holder in burner base with igniter electrode. Burner caps should be level when properly positioned. If burner caps are not properly positioned, surface burners will not light. Place burner grates over burners and caps.



- A. Orifice holder
- B. Burner cap
- C. Gas tube opening
- D. Burner base
- E. Igniter electrode

⚠ WARNING



Electrical Shock Hazard

- Plug into a grounded 3 or 4 prong outlet.
- Do not remove ground prong.
- Do not use an adapter.
- Do not use an extension cord.
- Failure to follow these instructions can result in death, fire, or electrical shock.

- Plug into a grounded 3 prong outlet.

Complete Installation

Electronic Ignition System

Initial lighting and gas flame adjustments

Surface burners use electronic igniters in place of standing pilots. When the cooktop control knob is turned to the "IGNITE" position, the system creates a spark to light the burner. This sparking continues, as long as the control knob is turned to "IGNITE".

Check Operation of Surface Burners

Push in and turn the surface burners control knobs to light.

The surface burner flame should light within 4 seconds. The first time a surface burner is lit, it may take longer than 4 seconds to light because of air in the gas line.

Check the flame on "HIGH" for a blue color. It should be clean and soft in character. No yellow tip, blowing or lifting of flame should occur. Occasional orange flashes are normal and reflect different elements in the air or gas.

After verifying the proper burner operation, turn the control knobs to "OFF."

If burners do not light properly:

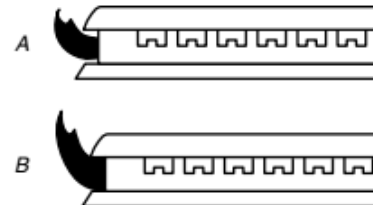
- Turn surface burner control knob to the "OFF" position.
- Check that the power supply cord is plugged in and the circuit breaker has not tripped or the fuse blown.
- Check that the gas shutoff valve is set to the "open" position.
- Check that burner caps are properly positioned on burner bases.

Recheck operation of surface burners. If a burner does not light at this point, contact your dealer or authorized service company for assistance.

Check Flame Height

Adjust the height of surface burner flames.

The surface burner low flame should be a steady blue flame approximately 1/4" (6.4 mm) high.

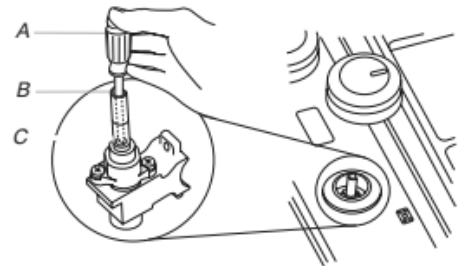


- A. Low flame
- B. High flame

Adjustment for Single Valve:

- Set the burner flame to LO.
- Remove the control knob.
- Hold knob stem with a pair of pliers. Use a 3/32" (#0 [2 mm]) flat-blade screwdriver to turn the screw located within the shaft of the control knob stem until the flame is the proper size.

Turn adjustment screw "C" to the right to reduce flame height, turn adjustment screw to the left to increase flame height.



- A. 3/32" (#0 [2.0 mm]) flat-blade screwdriver (screwdriver shaft must be a minimum of 2" [5.1 cm] long)
- B. Control knob stem opening
- C. Adjustment screw location

- Replace the control knob.
- Test the flame by turning the control from LO to HI, checking the flame at each setting.

IMPORTANT: Dual valve adjustments must be performed by a qualified installer or service agency.

Power failure

In case of prolonged power failure, the surface burners can be lit manually. Hold a lit match near a burner and turn knob counterclockwise to IGNITE/Lite/🔥. After burner lights, turn knob to setting. Do not use a grill or griddle accessory during a power failure as the vent fan will not operate.

SÉCURITÉ DE LA TABLE DE CUISSON

Votre sécurité et celle des autres est très importante

Nous donnons de nombreux messages de sécurité importants dans ce manuel et sur votre appareil ménager. Assurez-vous de toujours lire tous les messages de sécurité et de vous y conformer.



Voici le symbole d'alerte de sécurité.

Ce symbole d'alerte de sécurité vous signale les dangers potentiels de décès et de blessures graves à vous et à d'autres.

Tous les messages de sécurité suivront le symbole d'alerte de sécurité et le mot "DANGER" ou "AVERTISSEMENT". Ces mots signifient :

⚠ DANGER

Risque possible de décès ou de blessure grave si vous ne suivez pas immédiatement les instructions.

⚠ AVERTISSEMENT

Risque possible de décès ou de blessure grave si vous ne suivez pas les instructions.

Tous les messages de sécurité vous diront quel est le danger potentiel et vous disent comment réduire le risque de blessure et ce qui peut se produire en cas de non-respect des instructions.

AVERTISSEMENT : Si les renseignements dans ces instructions ne sont pas exactement observés, un incendie ou une explosion peut survenir, causant des dommages au produit, des blessures ou un décès.

- Ne pas entreposer ni utiliser de l'essence ou d'autres vapeurs ou liquides inflammables à proximité de cet appareil ou de tout autre appareil électroménager.
- QUE FAIRE DANS LE CAS D'UNE ODEUR DE GAZ :
 - Ne pas tenter d'allumer un appareil.
 - Ne pas toucher à un commutateur électrique.
 - Ne pas utiliser le téléphone se trouvant sur les lieux.
 - Appeler immédiatement le fournisseur de gaz à partir du téléphone d'un voisin. Suivre ses instructions.
 - À défaut de joindre votre fournisseur de gaz, appeler les pompiers.
- L'installation et l'entretien doivent être effectués par un installateur qualifié, une agence de service ou le fournisseur de gaz.

⚠ AVERTISSEMENT :

Ne jamais faire fonctionner la surface de cuisson de la partie supérieure de cet appareil sans surveillance.

- Ne pas respecter cet énoncé de mise en garde peut provoquer un risque d'incendie, d'explosion ou de brûlure pouvant causer des dommages à la propriété, des blessures ou un décès.
- Si un incendie se produit, rester à distance de l'appareil et appeler immédiatement les pompiers.

NE JAMAIS ESSAYER D'ÉTEINDRE UN FEU D'HUILE/DE GRAISSE AVEC DE L'EAU.

AVERTISSEMENT : L'odorat ne permet pas toujours la détection d'une fuite de gaz.

Les distributeurs de gaz recommandent l'emploi d'un détecteur de gaz (homologation UL ou CSA).

Pour d'autre information, contacter le fournisseur de gaz local.

En cas de détection d'une fuite de gaz, exécuter les instructions "Que faire dans le cas d'une odeur de gaz".

IMPORTANT : Ne pas installer un système de ventilation avec évacuation de l'air vers le bas, qui évacuerait l'air vers cet appareil de cuisson à gaz. Ce type de système de ventilation peut causer des problèmes d'allumage et de combustion avec cet appareil de cuisson et entraîner des blessures corporelles ou le fonctionnement non désiré de cet appareil.

Dans l'État du Massachusetts, les instructions d'installation suivantes sont applicables :

- Les travaux d'installation et réparation doivent être exécutés par un plombier ou tuyauteur qualifié ou licencié, ou par le personnel qualifié d'une entreprise licenciée par l'État du Massachusetts.
- Remplacer par des dispositifs de fermeture acceptables : Les robinets de gaz et robinets à bille installés pour l'utilisation devraient être indiqués.
- Si un conduit de raccordement flexible est utilisé, sa longueur ne doit pas dépasser 4 pi (121,9 cm).

INSTRUCTIONS IMPORTANTES DE SÉCURITÉ

AVERTISSEMENT : Pour réduire le risque d'incendie, de choc électrique, de blessures ou de dommages lors de l'utilisation de la table de cuisson, il convient d'observer certaines précautions élémentaires dont les suivantes :

▲AVERTISSEMENT :

NE JAMAIS utiliser cet appareil comme dispositif de chauffage de la pièce. Le non-respect de cette instruction peut entraîner une intoxication au monoxyde de carbone et une surchauffe de la table de cuisson.

- **MISE EN GARDE :** Ne pas ranger d'articles pouvant intéresser les enfants dans les armoires situées au-dessus d'une appareil ou sur dossier de la appareil – les enfants grimpan sur la appareil pour atteindre des articles peuvent gravement se blesser.
 - Ne pas laisser les enfants seuls – Les enfants ne doivent pas être laissés seuls ou sans surveillance dans la zone où la appareil est utilisé. Ils ne doivent jamais être autorisés à s'asseoir ou à se tenir debout sur une partie quelconque de la appareil.
 - Porter des vêtements adaptés – Les vêtements pendants ou non ajustés ne doivent jamais être portés lorsqu'on utilise la cuisinière.
 - Entretien par l'utilisateur – Ne pas réparer ou remplacer une quelconque pièce de la appareil sans recommandation spécifique du manuel. Toutes les autres tâches d'entretien doivent être effectuées par un technicien qualifié.
 - Entreposage dans ou sur la appareil – Les matières inflammables ne doivent pas être entreposées dans un four ou près de la surface de la table.
 - Ne pas utiliser d'eau sur les feux de friture – Éteindre le feu ou la flamme ou utiliser un extincteur avec agent chimique sec ou mousses.
 - Utiliser uniquement des mitaines sèches – Les mitaines humides ou trempées sur les surfaces chaudes peuvent provoquer des brûlures dues à la vapeur. Ne pas laisser les mitaines toucher des unités de surface et chauds. Ne pas utiliser un chiffon ou tout autre tissu encombrant.
 - Ne jamais laisser les surfaces de cuisson sans surveillance à des réglages de chaleur élevée – Les ébullitions provoquent de la fumée et des éclaboussures grasses qui peuvent s'enflammer.
 - Ustensiles de cuisson émaillés – seuls certains types d'ustensiles en verre, vitrocéramique, céramique, terre cuite ou autre émaillage peuvent être utilisés sur la surface de la cuisinière sans briser en raison du changement de température soudain.
 - Les poignées des ustensiles doivent être tournées vers l'intérieur et ne doivent pas dépasser au-dessus des unités de surface de cuisson – Pour éviter le risque de brûlures, d'inflammation des matières inflammables et d'éclaboussures dues à un contact non intentionnel avec l'ustensile, la poignée d'un ustensile doit toujours être positionnée vers l'intérieur et ne doit pas dépasser au-dessus des surfaces de cuisson adjacentes.
 - Ne pas utiliser de pièces de remplacement qui n'ont pas été recommandées par le fabricant (c.-à-d., des pièces fabriquées à la maison à l'aide d'une imprimante 3D).
 - Nettoyer la table de cuisson avec précaution – Si une éponge ou un linge humide est utilisé pour nettoyer les éclaboussures sur une zone de cuisson chaude, faire attention aux brûlures dues à la vapeur.
 - Ne pas faire chauffer un contenant qui n'a pas été ouvert – L'accumulation de pression pourrait faire éclater le contenant et causer des blessures.
 - Installation conforme – L'appareil, lors de son installation, doit être correctement relié à la terre en conformité avec les codes locaux en vigueur, ou en l'absence de tels codes, avec le National Electrical Code, ANSI/NFPA 70 ou le Code canadien des installations électriques, CSA C22.1-02. Au Canada, l'appareil doit être relié à la terre en respectant le Code canadien de l'électricité. S'assurer que l'appareil est bien installé et que la mise à la terre est réalisée par un technicien qualifié.
 - Cet appareil est pourvu d'une fiche à trois broches dont une mise à la terre assurant une protection contre les chocs électriques. La prise dans laquelle elle est branchée doit être correctement mise à la terre. Ne pas couper ni enlever la broche de mise à la terre de la fiche.
 - Déconnecter la source de courant électrique avant l'entretien.
 - Des blessures peuvent résulter d'un mauvais usage des portes ou tiroirs de l'appareil – par exemple, marcher, s'appuyer ou s'asseoir sur les portes ou tiroirs.
 - Entretien – Maintenir la zone de la cuisinière à l'abri des matériaux combustibles, essence ou autres vapeurs ou liquides inflammables.
 - La taille de la flamme du brûleur supérieur doit être ajustée de façon à ne pas dépasser du bord de l'ustensile de cuisson. Cette instruction est basée sur des considérations de sécurité.
- Pour les appareils avec hotte de ventilation –**
- Nettoyer régulièrement les hottes de ventilation – Ne pas laisser la graisse s'accumuler dans la hotte ou le filtre.
 - Lorsque des aliments sont flambés sous la hotte, mettre le ventilateur en marche.
- Pour les cuisinières et fours intelligents :**
- Utilisation à distance – cet appareil peut être configuré pour permettre l'utilisation à distance en tout temps. Ne pas ranger de matériaux inflammables ou sensibles à la température sur le dessus ou près de la surface de l'appareil.

CONSERVEZ CES INSTRUCTIONS

ENTRETIEN ET RÉPARATION DE LA TABLE DE CUISSON

Nettoyage général

IMPORTANT : Avant le nettoyage, s'assurer que toutes les commandes sont désactivées et que la table de cuisson est refroidie.

L'usage de savon, d'eau et d'un chiffon doux ou d'une éponge est d'emblée suggéré, sauf indication contraire. Les éclaboussures alimentaires acides, telles que vinaigre et tomate, doivent être nettoyés dès que la cuisinière a refroidi. Ces salissures peuvent endommager le fini.

Type de surface	Recommandation de nettoyage
Boutons de commande	Les boutons doivent être nettoyés au savon et à l'eau. Ne pas nettoyer les boutons au lave-vaisselle ou utiliser de nettoyants abrasifs ou de laine d'acier. Pour retirer les boutons, s'assurer que chaque bouton est à la position OFF (arrêt). Ne pas retirer les joints sous les boutons.
Grilles de brûleur	Savon et eau : Utiliser un ustensile de récurage en plastique non abrasif et un nettoyant légèrement abrasif, du savon et de l'eau. Lave-vaisselle : Les grilles sont lavables au lave-vaisselle. Retirer toute trace d'aliment brûlé avant de placer les grilles dans le panier inférieur du lave-vaisselle. Pour éviter l'écaillage, ne pas entrechoquer les grilles ni les cogner contre des surfaces dures telles que des ustensiles de cuisson en fonte. Bien que les grilles de brûleurs soient durables, elles perdront progressivement de leur lustre en raison de l'exposition à de fortes températures.
Chapeaux de brûleur	Utiliser un ustensile de récurage en plastique non abrasif et un nettoyant légèrement abrasif, du savon et de l'eau. Ne pas placer les chapeaux dans le lave-vaisselle ou réinstaller les chapeaux sur les brûleurs lorsqu'ils sont mouillés.
Base de brûleur	Les trous dans les bases des brûleurs doivent être propres pour que l'allumage puisse s'effectuer et que la flamme soit entière et régulière. Consulter "Conseils pour le nettoyage des brûleurs" dans la section "Conseils élémentaires d'utilisation".
Surface de cuisson en acier inoxydable	Pour de meilleurs résultats, utiliser un chiffon doux ou une éponge non abrasive. Frotter dans la direction des lignes du grain pour ne pas détériorer la surface. Utiliser un nettoyant tout usage, comme par exemple le nettoyant pour cuisine et appareils ménagers affresh®+ (référence W10355010), ou, pour le nettoyage de l'acier inoxydable, commander le nettoyant pour acier inoxydable affresh® (référence W10355016). Ne pas utiliser de tampons de récurage, nettoyants abrasifs, crème à polir pour table de cuisson, tampons en laine d'acier, chiffons de lavage rudes ou d'essuie-tout abrasif. Pour commander des nettoyants affresh®, consulter le Guide de démarrage rapide pour les informations de commande.
Surface de cuisson en porcelaine émaillée (sur certains modèles)	Utiliser un ustensile de récurage non abrasif et un nettoyant pour le verre, ou un nettoyant doux liquide, comme par exemple le nettoyant pour cuisine et appareils ménagers affresh®, référence W10355010.
Plaque à frire (sur certains modèles)	Utiliser un savon et de l'eau, ou un détergent doux. Pour éviter d'endommager la surface antiadhésive, ne pas nettoyer la plaque au lave-vaisselle, ou utiliser des nettoyants abrasifs.

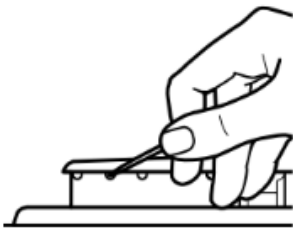
†affresh® est une marque déposée de Whirlpool, É.-U.

Conseils pour le nettoyage des brûleurs

Les brûleurs doivent être maintenus propres. Les renversements doivent toujours être immédiatement nettoyés, car ils pourraient obstruer les ouvertures des brûleurs.

IMPORTANT : Avant le nettoyage, s'assurer que toutes les commandes sont désactivées et que la table de cuisson est refroidie. Pour plus de renseignements, voir la section "Entretien et nettoyage".

- Retirer le chapeau de la base du brûleur. Nettoyer le chapeau à l'eau chaude et savonneuse, puis le rincer.
- Retirer la base du brûleur et nettoyer l'ouverture du tube d'arrivée de gaz sous la base.
- Nettoyer les orifices de brûleur obstrués avec une épingle droite, une aiguille ou du fil de fer de petit calibre tel qu'indiqué. Ne pas utiliser de cure-dent en bois, et ne pas nettoyer au lave-vaisselle.



- Nettoyer délicatement l'allumeur avec un chiffon humide.

INSTRUCTIONS D'INSTALLATION EXIGENCE

Outils et pièces

Outils nécessaires

- Ruban à mesurer
- Tournevis à lame plate
- Tournevis cruciforme
- Clé mixte de 15/16" (24 mm)
- Clé à tuyauteries
- Clé ou pince
- Marqueur ou crayon
- Composé d'étanchéité pour tuyauteries résistant au propane
- Solution non corrosive de détection des fuites

Pièces fournies

- Détendeur
- Grilles de brûleur
- Chapeaux de brûleur
- Base des brûleurs
- Brides de fixation (2)
- Vis de fixation de bride (2)

Pièces nécessaires

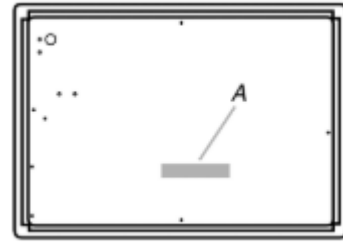
Vérifier les codes locaux et consulter le fournisseur de gaz. Vérifier l'alimentation en gaz et l'alimentation électrique existantes. Voir les sections "Spécifications électriques" et "Spécifications de l'alimentation en gaz".

REMARQUE : S'assurer d'acheter uniquement des pièces et des accessoires Whirlpool certifiés par le fabricant de l'appareil. Il se peut que l'installation nécessite des pièces supplémentaires. Pour commander, consulter les coordonnées indiquées dans le guide de démarrage rapide..

Exigences d'emplacement

IMPORTANT : Observer les dispositions de tous les codes et règlements en vigueur. Ne pas obstruer le flux de combustion et de ventilation.

- C'est à l'installateur qu'incombe la responsabilité de respecter les distances de séparation spécifiées sur la plaque signalétique. La plaque signalétique se trouve sur le dessous de la base de la table de cuisson.



A. Model/serial/rating plate

- La table de cuisson doit être une table de cuisson spécifiée, et doit être approuvée pour une installation seule ou sur un four encastré sous comptoir. Vérifier que la base de la table de cuisson comporte une étiquette d'installation approuvée pour le numéro de modèle de votre table de cuisson et les combinaisons approuvées de tables de cuisson et de fours qui peuvent être installés. Si vous ne trouvez pas cette étiquette, il se peut que votre table de cuisson ne soit pas approuvée pour une utilisation au-dessus d'un four encastré sous comptoir. Contacter le marchand pour confirmer que votre table de cuisson est bien approuvée.
- Les fours approuvés pour ce type d'installation comportent une étiquette d'approbation située sur le dessus du four. Si vous ne trouvez pas cette étiquette, contactez votre marchand pour confirmer que le four est bien approuvé. Consulter les Instructions d'installation du fabricant du four pour obtenir l'approbation de l'utilisation en encastrement et les dimensions correctes.
- La table de cuisson doit être installée dans un emplacement à l'écart des zones de forts courants d'air, telles que fenêtres, portes et événements ou ventilateurs de chauffage.
- Toutes les ouvertures dans le mur ou le plancher de l'emplacement d'installation de la table de cuisson doivent être scellées.
- Respecter les dimensions indiquées pour les ouvertures à découper dans les meubles. Ces dimensions constituent les valeurs minimales des dégagements.
- Une source d'électricité avec liaison à la terre est nécessaire. Voir la section "Spécifications électriques". Un raccordement adéquat à l'alimentation en gaz doit être disponible. Voir la section "Spécifications de l'alimentation en gaz".
- De par sa conception, la table de cuisson est retenue sur le plan de travail par ses rebords latéraux ou arrière.
- Veiller à placer les sources de gaz et d'électricité selon les indications de la section "Dimensions du placard" pour qu'elles soient accessibles sans avoir à retirer la table de cuisson.
- Prévoir une ouverture dans l'angle supérieur droit de l'enceinte – voir l'illustration – pour le passage de la canalisation de gaz et du câble d'alimentation électrique et pour que l'étiquette signalétique soit visible.

IMPORTANT : Pour éviter tout dommage, consulter le constructeur de la maison ou le fabricant de placards pour déterminer si les matériaux utilisés peuvent subir un changement de couleur, une déstratification ou autres dommages.

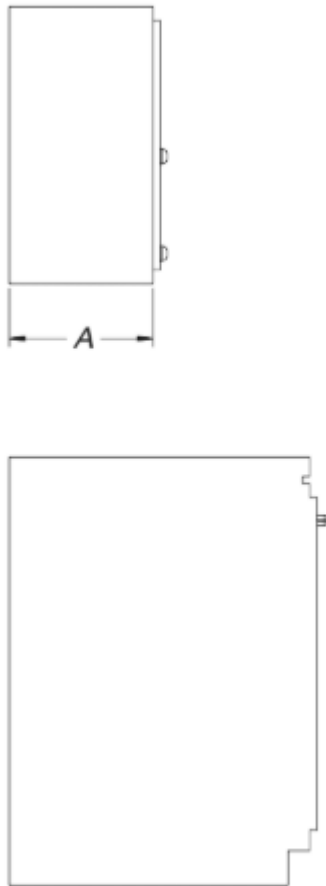
Résidence mobile – Spécifications additionnelles à respecter lors de l'installation

L'installation de cette table de cuisson doit être conforme aux dispositions de la norme Manufactured Home Construction and Safety Standard, Title 24 CFR, Part 3280 (anciennement Federal Standard for Mobile Home Construction and Safety, Title 24, HUD Part 280). Lorsque cette norme n'est pas applicable, utiliser la norme Standard for Manufactured Home Installations, ANSI A225.1/NFPA 501A ou respecter les dispositions des codes locaux.

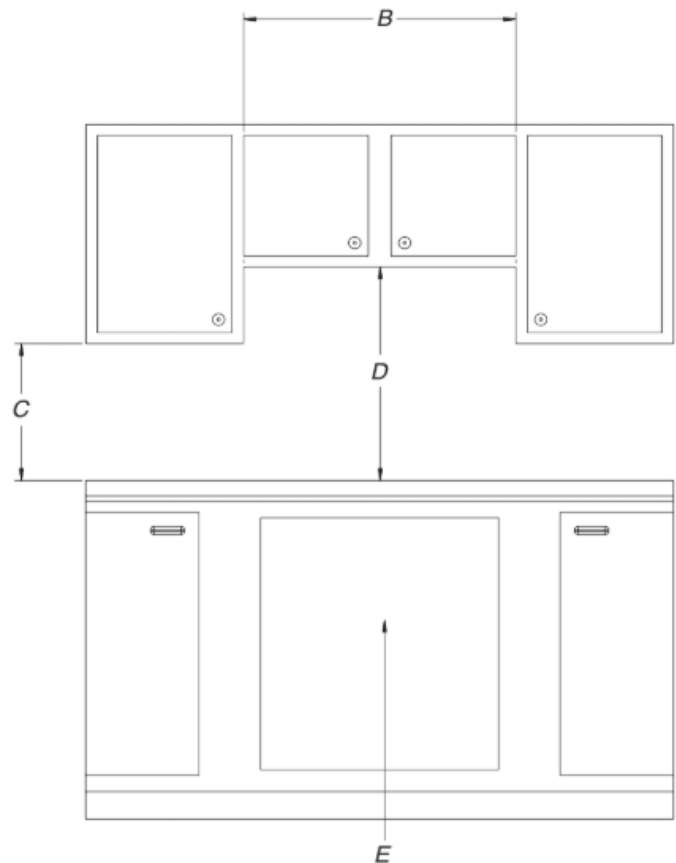
Au Canada, l'installation de cette table de cuisson doit satisfaire aux stipulations de la version la plus récente de la norme CAN/CSA-Z240.1 ou des codes locaux en vigueur.

Distances de dégagement à respecter

Vue latérale



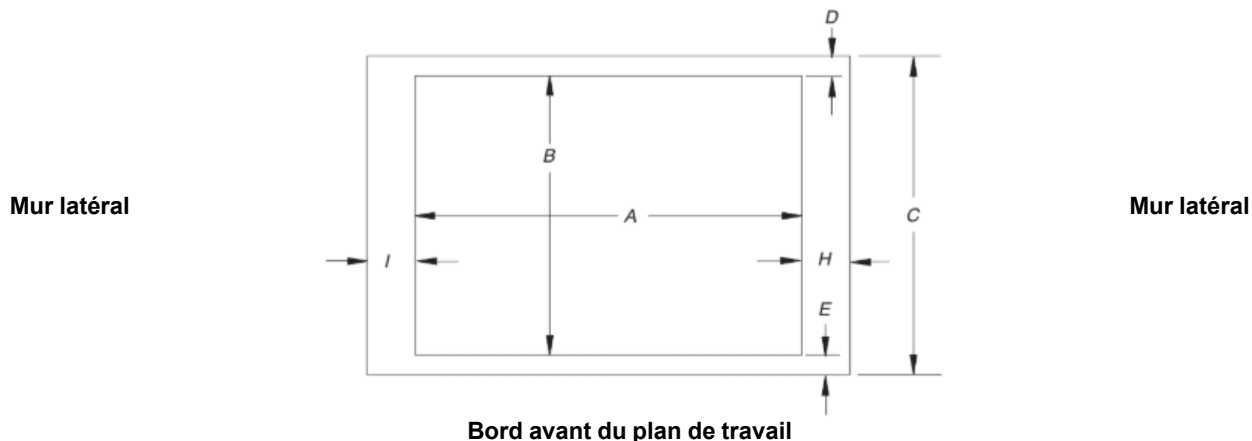
Vue de face



- A. Profondeur recommandée des placards supérieurs de 13" (33 cm)
- B. 30" (76,2 cm) pour les modèles de 30"; 36" (91,4 cm) pour les modèles de 36".
- C. Distance de séparation minimale de 18" (45,7 cm) entre le placard supérieur et le plan de travail avec distance minimale de séparation horizontale pour la table de cuisson
- D. Dégagement minimum de 30" (76,2 cm) entre le sommet de la plate-forme de la table de cuisson et le fond du placard de bois ou de métal non protégé. Dégagement minimum de 24" [61 cm] lorsque le fond du placard de bois ou de métal est couvert d'une plaque ignifugée d'au moins 1/4" [0,6 cm] recouverte d'une tôle d'acier de 28 MSG, d'acier inoxydable de 0,015" [0,04 cm], d'aluminium de 0,024" [0,06 cm], ou de cuivre de 0,020" [0,05 cm] d'épaisseur au minimum.
- E. Ouverture pour canalisation de gaz – mur : n'importe où, à 5" (12,7 cm) au-dessous de la face inférieure du plan de travail. Plancher du placard : n'importe où, à moins de 6" (15,2 cm) du mur arrière (recommandation).

Dimensions de l'ouverture à découper - Vue de dessus

Mur arrière



Dimensions des ouvertures à découper (ouverture du produit)						
Modèles de 30" (76,2 cm)						
Modèles	A			B		
	Minimum	Recommandé	Maximum	Minimum	Recommandé	Maximum
KCGS550 et KCGS950	28 1/2" (72,4 cm)	28 7/8" (73,4 cm)	29 5/16" (73,3 cm)	19 1/2" (49,5 cm)	19 13/16" (50,2 cm)	20" (50,8 cm)
Tous les autres modèles de 30" (76,2 cm)	28 1/2" (72,4 cm)	28 7/8" (73,4 cm)	29 5/16" (73,3 cm)	19" (48,3 cm)	19 1/2" (49,5 cm)	20" (50,8 cm)
Modèles de 36" (91,4 cm)						
KCGS556 et KCGS956	34 7/8" (88,4 cm)	35 3/16" (89,4 cm)	35 5/8" (90,3 cm)	19 1/2" (49,5 cm)	19 13/16" (50,2 cm)	20" (50,8 cm)
Tous les autres modèles de 36" (91,4 cm)	33 7/8" (86,0 cm)	34 5/16" (87,0 cm)	35 1/4" (89,5 cm)	19" (48,3 cm)	19 1/2" (49,5 cm)	20" (50,8 cm)

Murs latéraux (surfaces combustibles)	
Modèles	H et I
KCGS5 et KCGS9	La longueur totale de H et I doit être de 48" (122 cm) minimum, et chaque côté pris à part doit être d'au moins 8" (20,3 cm)
KCGS350, KCGS356, MGC9536, WCG97US0, WCG97US6	La longueur totale de H et I doit être de 48" (122 cm) minimum, et chaque côté pris à part doit être d'au moins 12" (30,5 cm)
Tous les autres modèles	Tous deux doivent être de 8" (20,3 cm) ou plus.

Dimensions du mur arrière et de l'avant du plan de travail			
Modèles	C	D	E
KCGS550 et KCGS950	25" (63,5 cm)	2 7/8" (7,3 cm)	2 3/4" (6,9 cm)
Tous les autres modèles			3 1/8" (7,9 cm)

REMARQUE : Après le découpage de l'ouverture dans le plan de travail, il est possible que pour certaines configurations d'installation, il soit nécessaire d'entailler les parois latérales du placard inférieur pour permettre le passage de la base de la table de cuisson. Pour éviter cette modification, utiliser un placard inférieur dont la largeur entre parois latérales est supérieure à celle de l'ouverture découpée. Si le placard comporte un tiroir, on devra ménager un dégagement de 4" (10,2 cm) ou plus entre le plan de travail et le dessus du tiroir (ou autre obstacle) dans le placard inférieur. Il pourra être nécessaire de réduire la profondeur du tiroir pour éviter qu'il ne touche le détenteur.

IMPORTANT : Si l'on doit installer un four mural encastré en-dessous de cette table de cuisson, la prise reliée à la terre et la canalisation d'alimentation au gaz doivent être situées dans un placard adjacent.

Cette table de cuisson ainsi que son circuit électrique et son alimentation en gaz doivent être installés avant l'installation du four mural encastré sous le plan de travail.

Spécifications électriques

⚠ AVERTISSEMENT



Risque de choc électrique

- Brancher sur une prise à 3 alvéoles reliée à la terre.**
- Ne pas enlever la broche de liaison à la terre.**
- Ne pas utiliser un adaptateur.**
- Ne pas utiliser un câble de rallonge.**
- Le non-respect de ces instructions peut causer un décès, un incendie ou un choc électrique.**

IMPORTANT : La table de cuisson doit être correctement reliée à la terre en conformité avec les codes et règlements locaux en vigueur, ou en l'absence de tels codes, avec le National Electrical Code, ANSI/NFPA 70 ou le Code canadien des installations électriques, CSA C22.1.

Cette table de cuisson est dotée d'un système d'allumage électronique qui ne fonctionnera pas en cas de branchement dans une prise qui n'est pas correctement polarisée.

Si les codes le permettent et si on utilise un conducteur distinct de la liaison à la terre, il est recommandé qu'un électricien qualifié vérifie la qualité de la liaison à la terre.

Pour obtenir un exemplaire de la norme des codes ci-dessus, contacter :

National Fire Protection Association
1 Batterymarch Park
Quincy, MA 02169-7471

CSA International
8501 East Pleasant Valley Road
Cleveland, OH 44131-5575

- L'appareil doit être alimenté par un circuit de 120 V, CA seulement, 60 Hz, 15 A, protégé par fusible. On recommande également d'utiliser un fusible ou un disjoncteur temporisé. Il est recommandé de raccorder la table de cuisson sur un circuit distinct exclusif à cet appareil.
- Les systèmes d'allumage électronique fonctionnent avec des limites de tension étendues, mais une liaison à la terre correcte et une polarité appropriée sont nécessaires. Vérifier que la prise fournit une alimentation de 120 V et qu'elle est correctement reliée à la terre.
- Les schémas de câblage sont fournis avec cette table de cuisson. Voir la "Schémas de câblage".

Spécifications de l'alimentation en gaz

⚠ AVERTISSEMENT



Risque d'explosion

Utiliser une canalisation neuve d'arrivée de gaz approuvée par la CSA International.

Installer un robinet d'arrêt.

Bien serrer chaque organe de connexion de la canalisation de gaz.

En cas de connexion au gaz propane, demander à une personne qualifiée de s'assurer que la pression de gaz ne dépasse pas 36 cm (14 po) de la colonne d'eau.

Par personne qualifiée, on comprend : le personnel autorisé de chauffage, le personnel autorisé d'une compagnie de gaz, et le personnel d'entretien autorisé.

Le non-respect de ces instructions peut causer un décès, une explosion ou un incendie.

Observer les dispositions de tous les codes et règlements en vigueur.

IMPORTANT : L'installation doit satisfaire aux critères de tous les codes et règlements locaux. En l'absence de codes locaux, l'installation doit être conforme au National Fuel Gas Code, ANSI Z223.1 / NFPA 54 ou, au Canada, le Code naturel d'installation du gaz et du propane, CSA B149.1 - dernière édition.

IMPORTANT : Les tests de fuite de la table de cuisson doivent être effectués selon les instructions du fabricant.

Type de gaz

Gaz naturel :

Cette table de cuisson a été configurée à l'usine pour l'alimentation au gaz naturel. Pour la conversion pour l'alimentation au propane, voir la section suivante "Conversion pour l'alimentation au propane". La plaque signalétique des numéros de modèle et de série située sur la face inférieure de la boîte des brûleurs indique les types de gaz utilisables. Si le type de gaz disponible n'est pas mentionné sur la plaque signalétique, consulter le fournisseur local.

Conversion pour l'alimentation au propane :

L'opération de conversion doit être exécutée par un technicien de réparation qualifié.

Ne pas entreprendre de convertir la table de cuisson pour l'utilisation d'un gaz différent de celui indiqué sur la plaque signalétique sans d'abord consulter le fournisseur de gaz. Voir les instructions de conversion de gaz fournies dans le sachet de documentation.

Canalisation de gaz

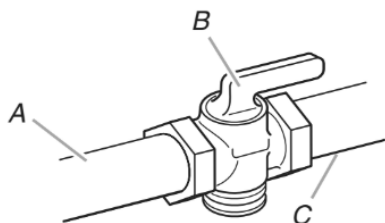
- Installer une canalisation de gaz rigide de 3/4" (19 mm) jusqu'à l'emplacement d'installation de la table de cuisson. L'emploi d'une canalisation de plus petit diamètre ou plus longue peut causer une déficience du débit d'alimentation. On doit utiliser un composé d'étanchéité des tuyauteries résistant à l'action du gaz de pétrole liquéfié. Ne pas utiliser de ruban TEFLON[†]. Pour l'alimentation au propane, le diamètre du tuyau ou conduit doit être de 1/2" (13 mm) ou plus. Usuellement, le fournisseur de gaz propane détermine les matériaux à utiliser et le diamètre approprié.

Raccord métallique flexible:

- Si les codes locaux le permettent, utiliser un connecteur à gaz flexible en acier inoxydable de 1/2" (13 mm) ou 3/4" (19 mm) de diamètre interne, conçu par CSA pour raccorder la table de cuisson à la canalisation rigide d'alimentation en gaz.



- Un raccord avec filetage mâle de 1/2" (13 mm) est nécessaire pour la connexion sur le raccord à filetage femelle à l'entrée du régulateur de pression de la table de cuisson.
- Ne pas déformer/écraser/endommager le tube métallique flexible lors d'un déplacement de la table de cuisson.
- Robinet d'arrêt nécessaire : Procéder à l'installation d'une vanne de fermeture manuelle pour la conduite de gaz dans un endroit facile d'accès. Ne pas entraver l'accès au robinet d'arrêt manuel. Le robinet permet d'ouvrir ou de fermer l'alimentation en gaz de la table de cuisson.



- A. Canalisation de gaz
- B. Robinet d'arrêt manuel - position d'ouverture
- C. Vers la table de cuisson

Détendeur de gaz

Le détendeur fourni avec cette table de cuisson doit être utilisé. La pression d'alimentation du détendeur doit être comme suit pour un fonctionnement correct :

Gaz naturel :

Pression minimum : 5" (12,7 cm) (colonne d'eau)

Pression maximum : 7" à 14" (17,8 cm à 35,5 cm) (colonne d'eau)

Gaz propane :

Pression minimum : 10" (25,4 cm) (colonne d'eau)

Pression maximum : 14" (35,5 cm) (colonne d'eau)

En cas d'incertitude quant à la pression d'alimentation à établir, contacter le fournisseur de gaz local.

Caractéristiques d'alimentation du brûleur

Les débits thermiques indiqués sur la plaque signalétique correspondent à une altitude d'utilisation inférieure à 2 000 pi (609,6 m).

Lorsque l'appareil est utilisé à une altitude supérieure à 2 000 pi (609,6 m), on doit réduire le débit thermique indiqué de 4% pour chaque tranche de 1000 pi (304,8 m) au-dessus du niveau de la mer (non applicable au Canada).

Test de pressurisation de la canalisation de gaz

On doit tester le détendeur sous une pression supérieure d'au moins 2,5 cm à la pression de la tubulure de distribution indiquée sur la plaque signalétique.

Pressurisation à une pression supérieure à 1/2 lb/po2 (3,5 kPa) (35,5 cm - colonne d'eau)

Lors de tout test de pressurisation de ce système à une pression supérieure à 1/2 lb/po2 (3,5 kPa), on doit déconnecter la table de cuisson et son robinet d'arrêt individuel de la canalisation de gaz.

Pressurisation à une pression inférieure ou égale à 1/2 lb/po2 (3,5 kPa) (35,5 - colonne d'eau)

Lors de tout test de pressurisation de la canalisation de gaz à une pression égale ou inférieure à 1/2 lb/po2 (3,5 kPa), on doit isoler la table de cuisson de la canalisation de gaz en fermant son robinet d'arrêt manuel individuel.

INSTALLATION

Installation de la table de cuisson

⚠ AVERTISSEMENT

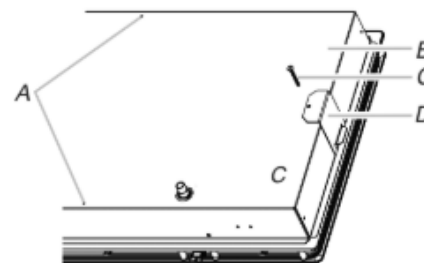
Risque du poids excessif

Utiliser deux ou plus de personnes pour déplacer et installer la table de cuisson.

Le non-respect de cette instruction peut causer une blessure au dos ou d'autre blessure.

Déterminer l'emplacement final de la table de cuisson. Éviter de percer dans le câblage existant ou de l'endommager pendant l'installation.

1. Déterminer si l'installation des placards permet le dégagement nécessaire pour l'installation de brides de fixation aux extrémités de la base de la table de cuisson. Il s'agit de l'emplacement recommandé. Des brides de fixation peuvent être installées à l'avant et à l'arrière de la partie inférieure de la base de la table de cuisson, si nécessaire.



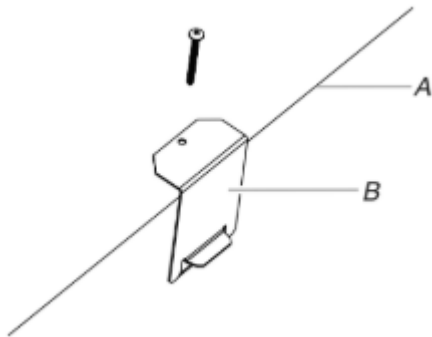
- A. Trous de vis d'attache pour emplacement facultatif à l'avant et à l'arrière
- B. Fond de la base de la table de cuisson
- C. Vis d'attache
- D. Bride de fixation (emplacements aux extrémités recommandés)

[†]TEFLON est une marque déposée de Chemours.

- À l'aide d'au moins 2 personnes, placer la table de cuisson dans l'ouverture en orientant la bonne surface vers le haut.

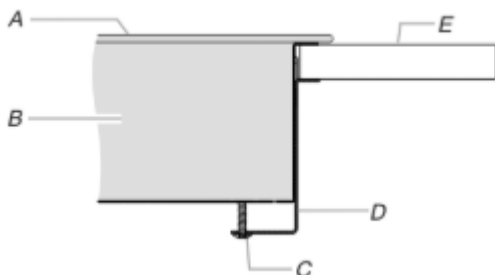
REMARQUE : S'assurer que le bord avant de la table de cuisson est parallèle au bord avant du plan de travail. S'il est nécessaire de repositionner la table de cuisson, la soulever entièrement de l'ouverture pour éviter de rayer le plan de travail.

- Enlever les vis d'attache pour les emplacements de brides sélectionnés de la partie inférieure de la base de la table de cuisson.



- A. Partie inférieure de la base du bord de la table de cuisson
- B. Bride de fixation

- Fixer les brides sur le fond de la base de la table de cuisson à l'aide des vis de fixation des brides. Bien serrer les vis.



- A. Table de cuisson
- B. Base de la table de cuisson
- C. Vis d'attache de la bride de 2" (5,1 cm)
- D. Bride de fixation (dépassant suffisamment de la base de la table de cuisson pour permettre l'installation des vis de fixation)
- E. Plan de travail

Raccordement au gaz

⚠ AVERTISSEMENT



Risque d'explosion

Utiliser une canalisation neuve d'arrivée de gaz approuvée par la CSA International.

Installer un robinet d'arrêt.

Bien serrer chaque organe de connexion de la canalisation de gaz.

En cas de connexion au gaz propane, demander à une personne qualifiée de s'assurer que la pression de gaz ne dépasse pas 36 cm (14 po) de la colonne d'eau.

Par personne qualifiée, on comprend : le personnel autorisé de chauffage, le personnel autorisé d'une compagnie de gaz, et le personnel d'entretien autorisé.

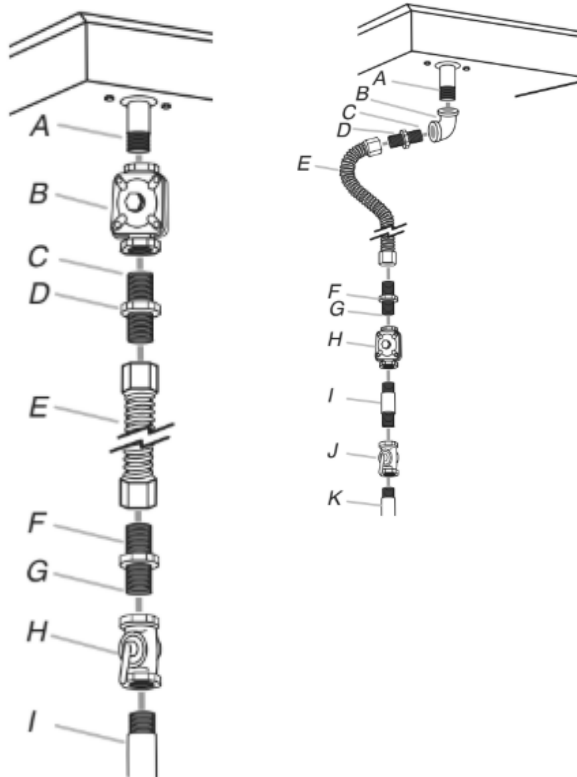
Le non-respect de ces instructions peut causer un décès, une explosion ou un incendie.

Raccordement typique par raccord flexible

- Appliquer un composé d'étanchéité pour tuyauteries conçu pour une utilisation avec du gaz naturel et du gaz propane sur l'extrémité fileté la plus petite des adaptateurs de raccord flexible (voir C et G dans l'illustration ci-dessous).
- Fixer un adaptateur sur le détendeur et l'autre adaptateur sur le robinet d'arrêt de la canalisation de gaz. Serrer les deux adaptateurs.

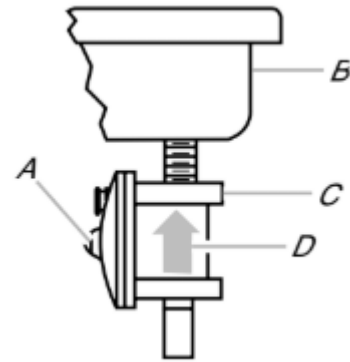
- Utiliser une clé mixte de 15/16" (2,4 cm) et une pince multiprise pour fixer le raccord flexible sur les raccords d'adaptation. S'assurer que le raccord n'est pas déformé.

IMPORTANT : Tous les raccords doivent être bien serrés à l'aide d'une clé. Ne pas serrer excessivement la connexion sur le détendeur. Un serrage excessif pourrait provoquer une fissuration du détendeur et une fuite de gaz. Lors du serrage des raccords, empêcher le détendeur de tourner.



- | | |
|--|---|
| A. Entrée de la tubulure de distribution | A. Entrée de la tubulure de distribution |
| B. Détendeur | B. Coude de 3/4" (1,9 cm) |
| C. Utiliser un composé d'étanchéité pour tuyauteries. | C. Utiliser un composé d'étanchéité pour tuyauteries |
| D. Adaptateur (doit comporter un filetage mâle de 1/2" (1,3 cm)) | D. Adaptateur (doit comporter un filetage mâle de 3/8" (9,5 mm)) |
| E. Raccord flexible | E. Raccord flexible (doit être acheminé à travers la paroi séparant les placards) |
| F. Adaptateur | F. Adaptateur (doit comporter un filetage mâle de 3/8" (9,5 mm)) |
| G. Utiliser un composé d'étanchéité pour tuyauteries. | G. Utiliser un composé d'étanchéité pour tuyauteries. |
| H. Robinet d'arrêt manuel | H. Détendeur de l'appareil (fourni) |
| I. Tuyauterie de gaz de 1/2" (1,3 cm) ou 3/4" (1,9 cm) | I. Tuyauterie de gaz de 1/2" (1,3 cm) ou 3/4" (1,9 cm) |
| | J. Robinet d'arrêt manuel |
| | K. Tuyauterie de gaz de 1/2" (1,3 cm) ou 3/4" (1,9 cm) pipe |

- Installer le régulateur avec la flèche orientée vers le fond de la base de la table de cuisson, et de manière à ce que le chapeau d'accès du détendeur soit accessible.



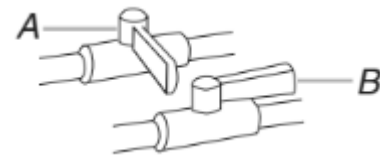
- A. Chapeau de l'ouverture d'accès
 B. Arrière de la table de cuisson
 C. Détendeur
 D. Flèche vers le haut. Le détendeur doit être réglé de sorte que sa flèche pointe vers le fond de la table de cuisson.

Utiliser uniquement un composé d'étanchéité de tuyauterie conçu pour l'utilisation avec le gaz naturel ou le propane.

Ne pas utiliser de ruban TEFLON®. Il sera nécessaire de choisir les raccords à utiliser en fonction de la configuration d'installation.

Compléter le raccordement

- Ouvrir le robinet d'arrêt manuel sur la canalisation d'alimentation en gaz. Le robinet est ouvert lorsque la poignée est parallèle au conduit d'alimentation en gaz.

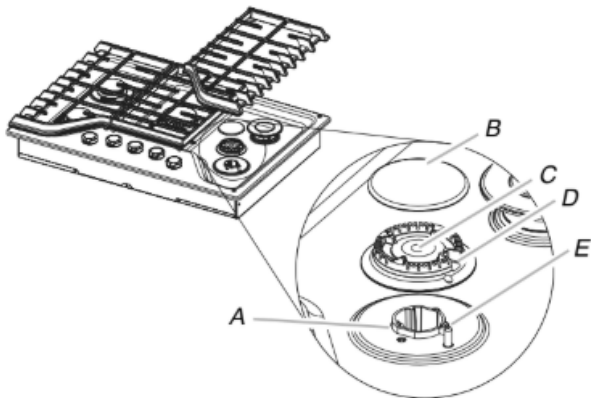


- A. Robinet fermé
 B. Robinet ouvert

- Vérifier tous les raccordements en les badigeonnant d'une solution de détection des fuites non corrosive approuvée. L'apparition de bulles indique la présence d'une fuite. Réparer toute fuite éventuelle.

3. Ôter les chapeaux de brûleur de surface, la base des brûleurs et les grilles du sachet de pièces. Aligner les encoches des chapeaux de brûleur avec les broches dans la base de chaque brûleur.

Aligner le porte-gicleur de la base du brûleur avec l'électrode d'allumage. Un chapeau de brûleur correctement placé doit être horizontal. Si les chapeaux de brûleur ne sont pas correctement installés, les brûleurs de surface ne s'allumeront pas. Placer les grilles de brûleur sur les brûleurs et chapeaux.



- A. Porte-gicleur
B. Chapeau du brûleur
C. Ouverture du tube de gaz
D. Base du brûleur
E. Électrode d'allumage

⚠ AVERTISSEMENT



Risque de choc électrique

- Brancher sur une prise à 3 alvéoles reliée à la terre.**
- Ne pas enlever la broche de liaison à la terre.**
- Ne pas utiliser un adaptateur.**
- Ne pas utiliser un câble de rallonge.**
- Le non-respect de ces instructions peut causer un décès, un incendie ou un choc électrique.**

4. Brancher sur une prise de courant à 3 alvéoles, reliée à la terre.

Achever l'installation

Système d'allumage électronique

Allumage initial et réglage des flammes de gaz

À la place de flammes de veille, les brûleurs de surface sont dotés d'un allumeur électronique. Lorsqu'on place le bouton de commande de la table de cuisson à la position "IGNITE" (allumage), le système produit une étincelle pour allumer le brûleur. La génération d'étincelles se poursuit aussi longtemps que le bouton de commande est laissé à la position "IGNITE" (allumage).

Contrôle du fonctionnement des brûleurs de surface

Enfoncer et tourner les boutons de commande des brûleurs de surface à la position basse.

Le gaz doit s'enflammer sur le brûleur de surface en moins de 4 secondes. Lors de l'allumage initial du brûleur de surface, le délai d'allumage peut être supérieur à 4 secondes du fait de la présence d'air dans la canalisation de gaz.

Vérifier que la flamme est bleue à la position "HIGH" (élevée). Elle doit être propre et douce. On ne doit pas observer de pointe jaune, ni d'effet de soufflage ou de séparation entre les flammes et le brûleur. Il est normal d'observer parfois des éclairs orange; ceci est dû à différents éléments dans l'air ou le gaz.

Après avoir vérifié le bon fonctionnement du brûleur, tourner les boutons de commande à "OFF" (arrêt).

Si les brûleurs ne s'allument pas correctement :

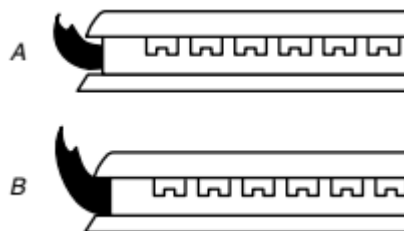
- Ramener le bouton de commande du brûleur de surface à la position "OFF" (arrêt).
- Vérifier que le cordon d'alimentation est branché et correctement alimenté (fusible grillé? disjoncteur ouvert?)
- Vérifier que chaque robinet d'arrêt est à la position "open" (ouverte).
- Vérifier que les chapeaux de brûleur sont correctement placés sur la base des brûleurs.

S'assurer à nouveau du bon fonctionnement des brûleurs. Si à ce stade un brûleur ne s'allume pas, contacter le revendeur ou un dépanneur agréé.

Contrôle de la taille des flammes

Régler la taille des flammes sur les brûleurs de surface.

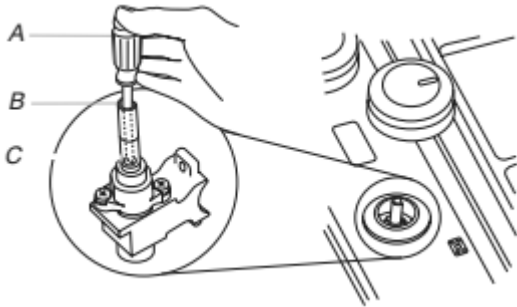
Pour le réglage au débit thermique minimum du brûleur de surface, on doit observer une flamme bleue stable de 1/4" (6,4 mm).



- A. Débit thermique minimum
B. Débit thermique maximum

Réglage d'un robinet de gaz unique :

1. Régler la flamme du brûleur à "LO" (basse).
2. Ôter le bouton de commande.
3. Immobiliser la tige de commande avec une pince. Utiliser un tournevis à lame plate de 3/32" (n° 0 [2 mm]) pour faire tourner la vis située au centre de la tige du bouton de commande jusqu'à ce que la flamme atteigne la bonne taille. Tourner la vis de réglage "C" vers la droite pour diminuer la hauteur de la flamme ou vers la gauche pour augmenter la hauteur de la flamme.




- A. Tournevis à lame plate de 3/32" (n° 0 [2 mm]) (la tige doit mesurer au moins 2" [5,1 cm] de long)
B. Orifice de la tige du bouton de commande
C. Emplacement de la vis de réglage

4. Réinstaller le bouton de commande.
5. Tester la flamme en tournant le bouton de commande pour le faire passer de la position "LO" (basse) à la position "HI" (élevée) et observer les flammes pour chaque réglage.

IMPORTANT : Le réglage de la double soupape doit être effectué par un installateur qualifié.

Panne de courant :

En cas de panne de courant, les brûleurs peuvent être allumés manuellement. Tenir une allumette allumée près d'un brûleur et tourner le bouton dans le sens antihoraire à la position "IGNITE/Lite" (allumage) . Une fois le brûleur allumé, tourner le bouton sur setting (réglage). Ne pas utiliser le gril ni la plaque à frire lors d'une panne de courant. Le ventilateur de l'évent ne fonctionnera pas.